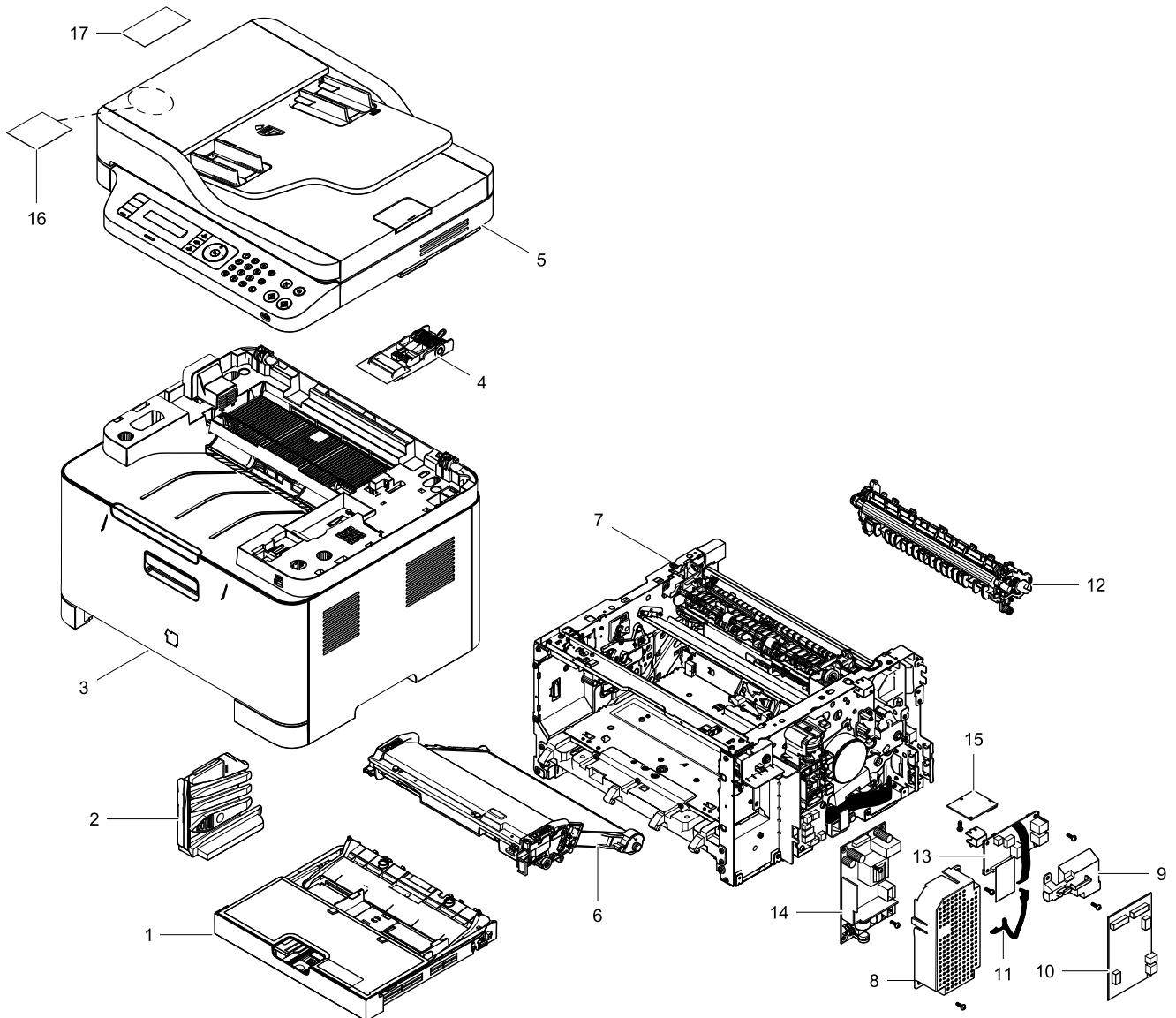


1. MAIN

Exploded View



Parts List

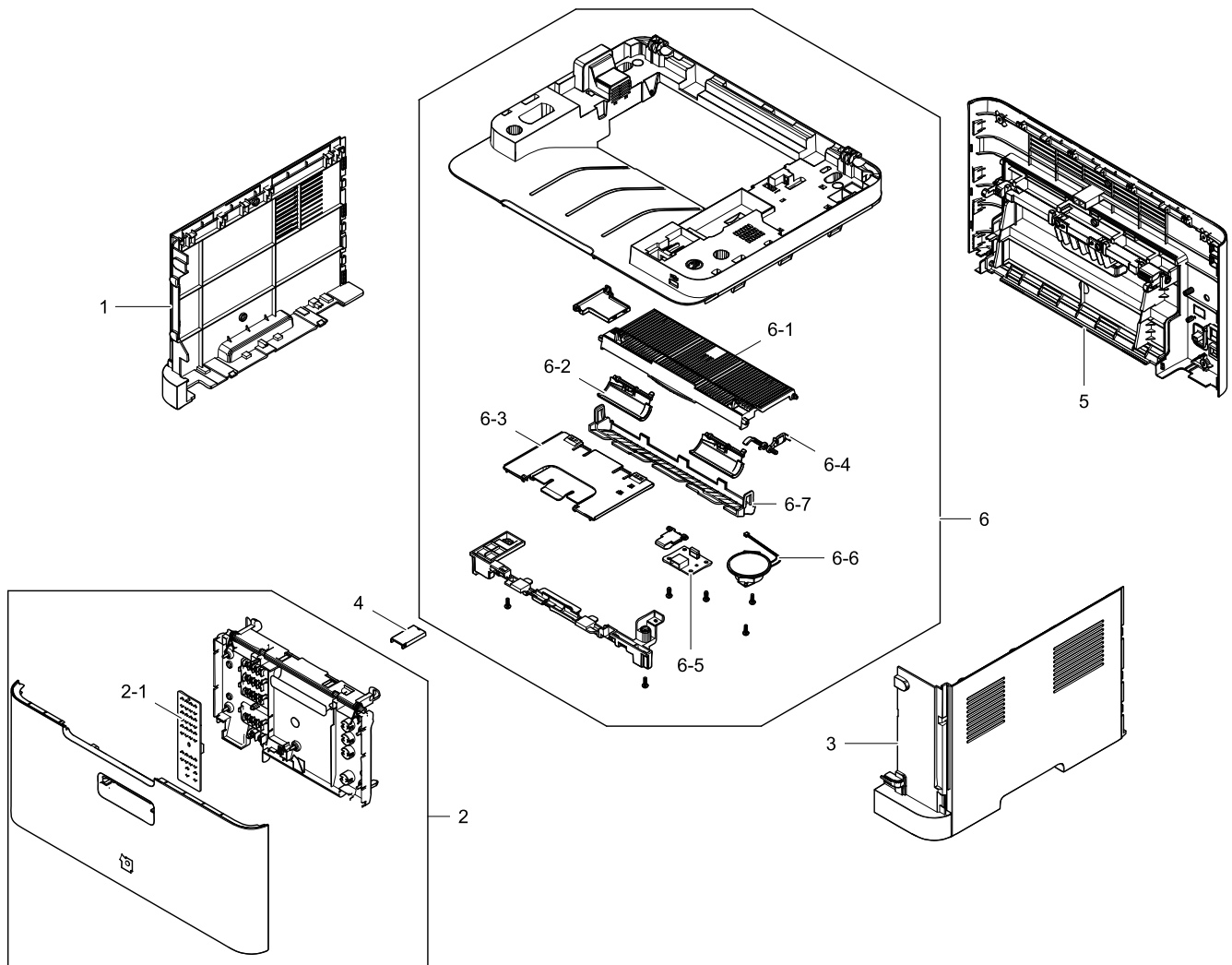
| No. | Lvl. | Loc. | Material Code | Description & Specification | SNA | Qty. |
|-----|------|------|---------------|--|-----|------|
| 1 | 1 | | JC90-01142A | CASSETTE; CLP-365W,SEC | SA | 1 |
| 2 | 2 | | JC96-06298A | CARTRIDGE-WTB; CLP-365W,SEC | SA | 1 |
| 3 | 1 | | JC95-01592A | COVER; CLX-3305FW,SEE | SNA | 1 |
| 4 | 2 | | JC93-00528B | FRAME-SCANNER HINGE; CLX-3305FW,SEE | SA | 1 |
| 5 | 1 | | JC97-04083Q | MFA; SL-C460FW,SEE,SPLIT BROWN BLACK | SNA | 1 |
| 6 | 1 | | JC96-06292A | CARTRIDGE-TRANSFER; CLP-365W,SEC | SA | 1 |
| 7 | 1 | | JC93-00728C | FRAME-MAIN; CLP-365W,SEC | SNA | 1 |
| 8 | 2 | | JC63-03861A | COVER-SMPS; clp-365w,ABS,2,144,76,36.4 | SNA | 1 |
| 9 | 2 | | JC63-03862A | COVER-FAX; CLX-3305FW,ABS,1.6T,90,53.2 | SNA | 1 |

Exploded Views and Parts List

| No. | Lvl. | Loc. | Material Code | Description & Specification | SNA | Qty. |
|-----|------|------|---------------|---|-----|------|
| 10 | 1 | | JC92-02668A | PBA-MAIN; SL-C460FW,SEC,4L,MAIN PBA,96.75 | SA | 1 |
| 11 | 2 | | JC39-01868A | HARNES-BLDC; CLP-365W,UL10272,9p,GRAY/BL | SA | 1 |
| 12 | 1 | | JC93-00708A | FRAME-TRANSFER; CLP-365 | SA | 1 |
| 13 | 1 | | JC92-02303B | PBA-FAXCARD; CLX-3185FN,SEC,CX86710,Serial | SA | 1 |
| 14 | 1 | | JC44-00214A | SMPS-V2; CLP-365W,Carlsen,Flyback,60W,220 | SA | 1 |
| 15 | 2 | | JC92-02517A | PBA-WNPC; CLP-365W,SEC,BCM4319U,SDIO,3.3V | SA | 1 |
| 16 | 1 | | JC68-03012A | LABEL ETC-NFC TECTILE STICKER; EAD-X11,EU | SNA | 1 |
| 17 | 1 | | JC68-03048A | LABEL VER-INFORMATION; C460,SEC,Hologram, | SNA | 1 |

2. COVER

Exploded View



Parts List

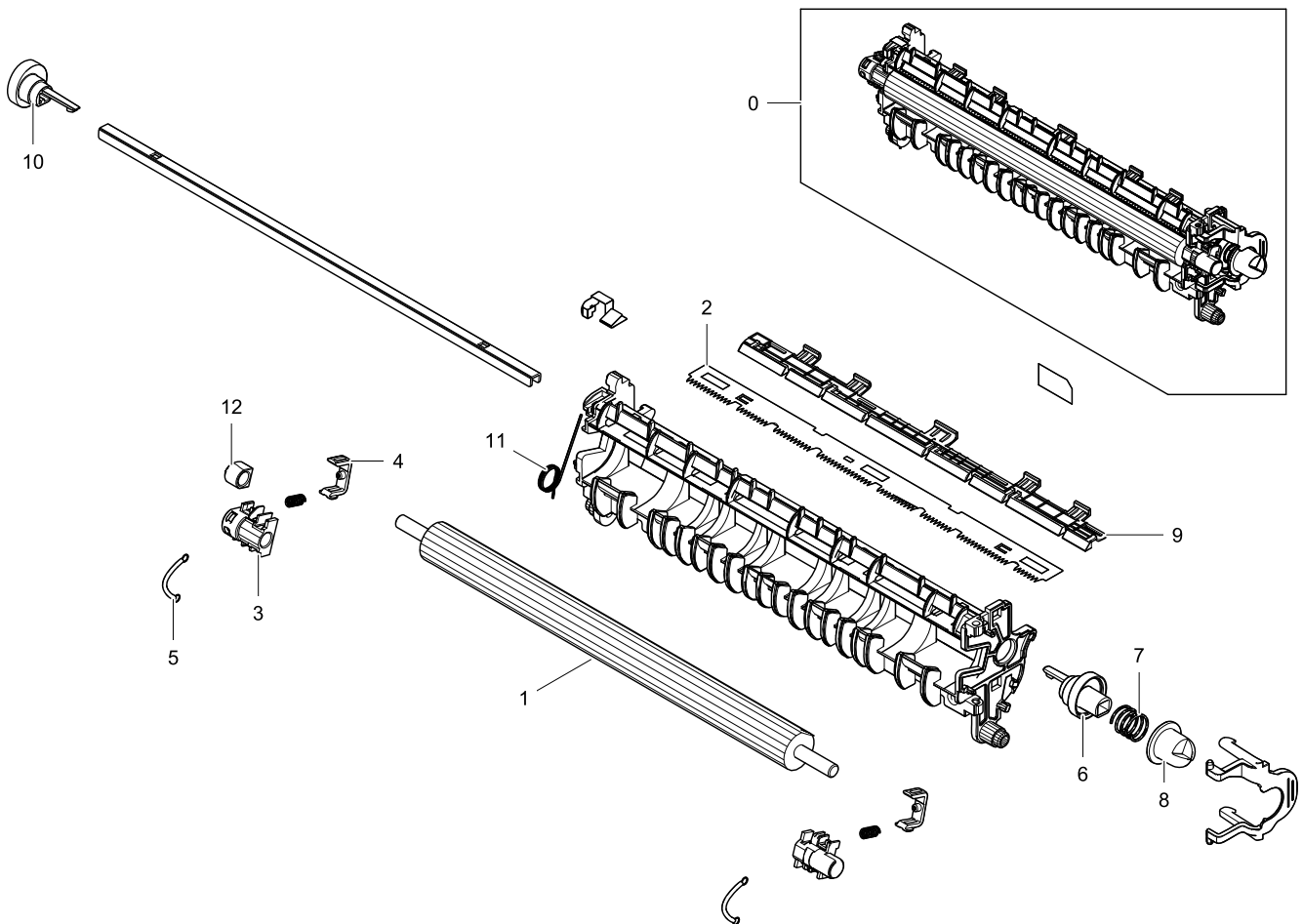
| No. | Lvl. | Loc. | Material Code | Description & Specification | SNA | Qty. |
|-----|------|-------|---------------|--|-----|------|
| 1 | 2 | | JC63-03548A | COVER-LEFT; CLX-3305FW,HIPS,2.0T,309,211, | SA | 1 |
| 2 | 2 | | JC95-01593A | COVER-FRONT; CLX-3305FW,SEE | SA | 1 |
| 2-1 | 3 | | JC92-02498A | PBA-DEVE CRUM JOINT; CLP-360,SEC,123.5x36 | SNA | 1 |
| 3 | 2 | | JC63-03552A | COVER-RIGHT; CLX-3305FW,HIPS,2.0T,309,211 | SA | 1 |
| 4 | 2 | H4282 | JC63-01574A | COVER-CABLE; CLP-310,POM,T1.5,19.7,37.3,H | SA | 1 |
| 5 | 2 | | JC95-01596A | COVER-REAR; CLX-3305FW,SEE | SA | 1 |
| 6 | 2 | | JC95-01590A | COVER-MIDDLE; CLX-3305FW,SEE | SA | 1 |
| 6-1 | 3 | | JC63-03541A | COVER-JAM; CLX-3305FW,ABS+PC,2.2T,226.3,9 | SNA | 1 |

Exploded Views and Parts List

| No. | Lvl. | Loc. | Material Code | Description & Specification | SNA | Qty. |
|-----|------|-------|---------------|--|-----|------|
| 6-2 | 3 | L9804 | JC66-02748A | ACTUATOR-SUB STACKER; CLX-3185,PC+GF,27.4 | SA | 2 |
| 6-3 | 3 | | JC61-05008A | GUIDE-EXTENSION LARGE; CLX-3305FW,HIPS,2. | SNA | 1 |
| 6-4 | 3 | | JC66-03362A | ACTUATOR-OUTFULL; CLX-3305FW,PC,VO,BLACK, | SA | 1 |
| 6-5 | 3 | E7301 | JC92-02048A | PBA-USB HOST; CLX-3170FN,SEC,-,-,-,-,45 | SA | 1 |
| 6-6 | 3 | G1134 | 3001-002207 | SPEAKER; 0.3W,8ohm,81dB,400Hz,50X16.4mm | SA | 1 |
| 6-7 | 3 | | JC63-03570A | COVER-EXIT; CLX-3305FW,ABS+PC,2.0T,241,33 | SNA | 1 |

3. FRAME-TRANSFER

Exploded View



Parts List

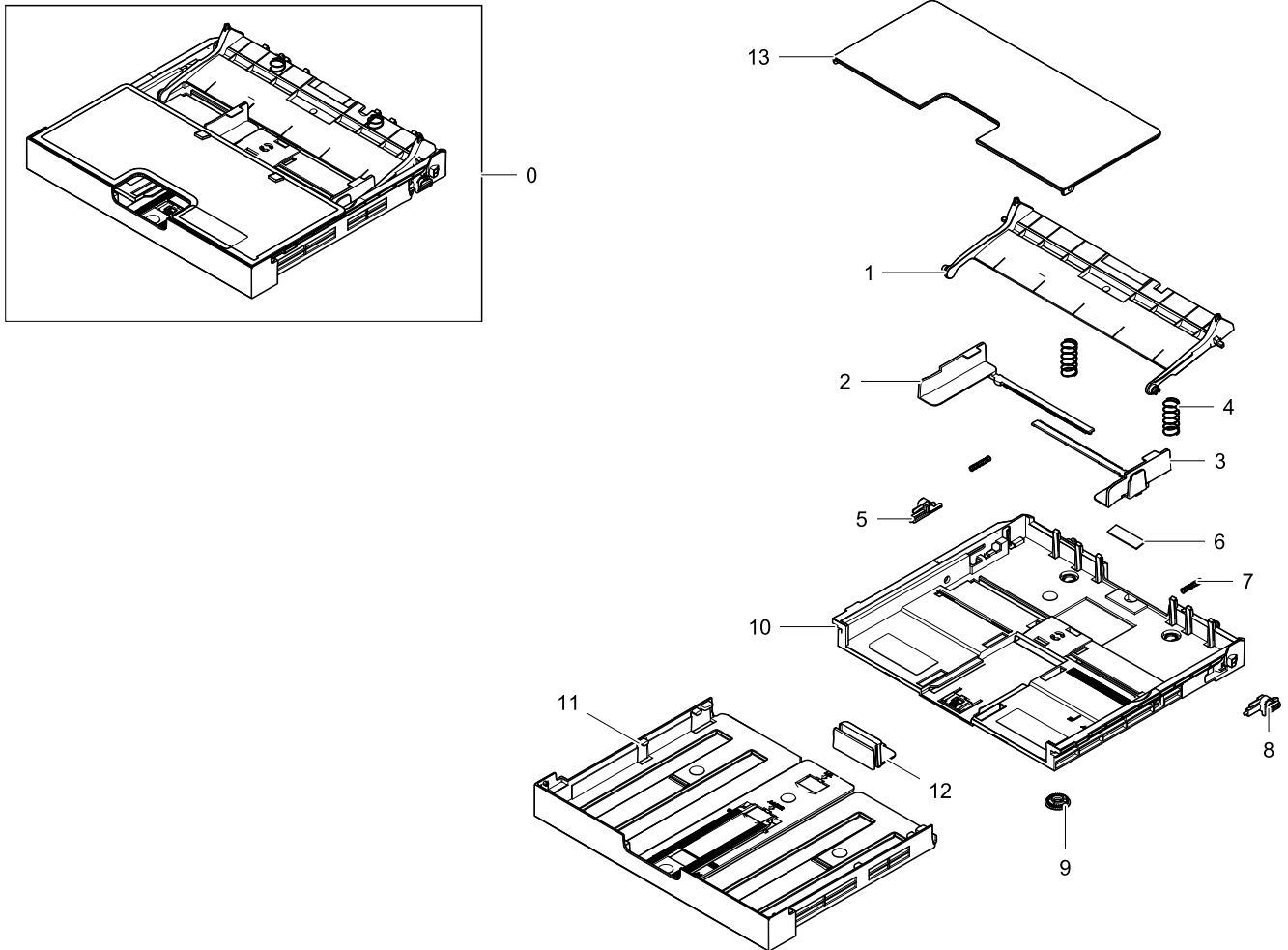
| No. | Lvl. | Loc. | Material Code | Description & Specification | SNA | Qty. |
|-----|------|-------|---------------|---|-----|------|
| 0 | 1 | | JC93-00708A | FRAME-TRANSFER; CLP-365 | SA | 1 |
| 1 | 2 | | JC66-03353A | ROLLER-TRANSFER; Calsen,18.0 (mm),NBR+ECO | SA | 1 |
| 2 | 2 | D1171 | JC70-10232A | IPR-PLATE SAW; ML-80,SUS304 CSP 1/2H,T0.1 | SNA | 1 |
| 3 | 2 | | JC61-05658A | HOLDER-SHAFT L; CLP-365,POM,2.0,16,23,WHI | SNA | 1 |
| 4 | 2 | | JC61-05655A | HOLDER-TR CAM; CLP-365,HIPS,2,11,16,BLACK | SNA | 2 |
| 5 | 2 | | 6107-001542 | SPRING-ES; SWP,PI0.45,L34.1,ID3,OD3.9 | SNA | 2 |
| 6 | 2 | | JC66-03789A | CAM-TR R; CLP-365,POM,2.0,30,WHITE,HB | SNA | 1 |
| 7 | 2 | | 6107-003276 | SPRING-CS; SWP B,0.9,12,12.1,FREE | SNA | 1 |
| 8 | 2 | | JC67-00671A | COUPLER-TR; CLP-365,POM,13,WHITE | SNA | 1 |
| 9 | 2 | | JC61-04156A | HOLDER-SAW PLATE; CLP-325,HIPS,1.2,9.6,21 | SNA | 1 |
| 10 | 2 | | JC66-03788A | CAM-TR L; CLP-365,POM,2,20,WHITE,HB | SNA | 1 |

Exploded Views and Parts List

| No. | Lvl. | Loc. | Material Code | Description & Specification | SNA | Qty. |
|-----|------|------|---------------|---|-----|------|
| 11 | 2 | | 6107-003280 | SPRING-TS; SWP,ZINC WHITE,0.8,25/16,8,RIG | SNA | 1 |
| 12 | 2 | | JC61-04944A | HOLDER-CHARGE; CLP-360,BRONZE-SINTERED | SNA | 1 |

4. CASSETTE

Exploded View



Parts List

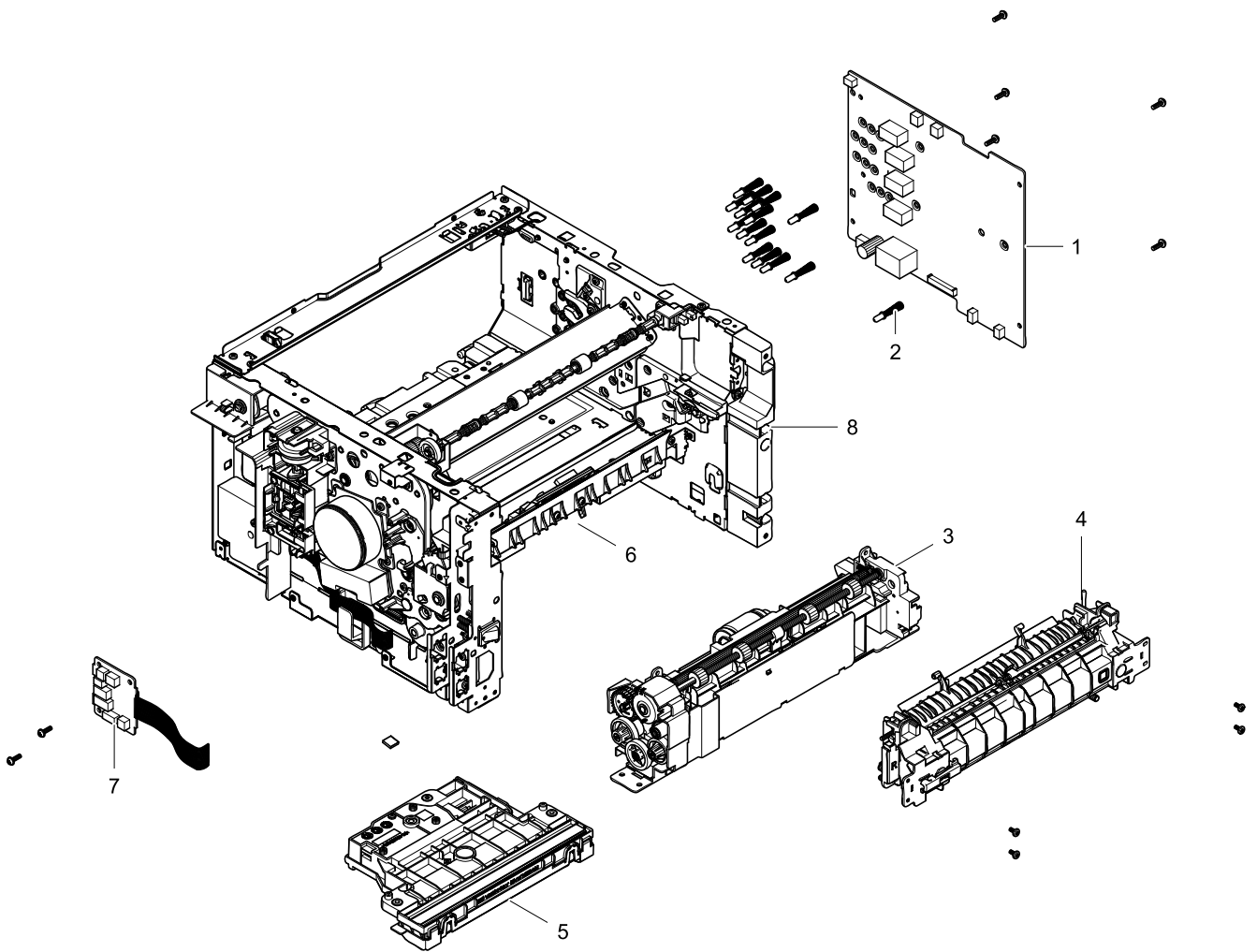
| No. | Lvl. | Loc. | Material Code | Description & Specification | SNA | Qty. |
|-----|------|-------|---------------|--|-----|------|
| 0 | 1 | | JC90-01142A | CASSETTE; CLP-365W,SEC | SA | 1 |
| 1 | 2 | | JC61-04940A | PLATE-KNOCKUP; CLP-360,HIPS,GRAY,GUIDE SU | SA | 1 |
| 2 | 2 | | JC61-04937A | GUIDE-ADJUST CASSETTE L; CLP-360,HIPS,GRA | SNA | 1 |
| 3 | 2 | | JC61-04936A | GUIDE-ADJUST CASSETTE R; CLP-360,HIPS,GRA | SNA | 1 |
| 4 | 2 | G1521 | 6107-001240 | SPRING-CS; SUS304-WPB,GROUND END,PI0.6,D1 | SA | 2 |
| 5 | 2 | B1072 | JC61-02127A | GUIDE-KNOCKUP L; SCX-4500,POM,NTR,GUIDE | SA | 1 |
| 6 | 2 | | JC73-00322B | RUBBER-PAD_FRICTION; ML-1660,EPDM,80,0.6~ | SNA | 1 |

Exploded Views and Parts List

| No. | Lvl. | Loc. | Material Code | Description & Specification | SNA | Qty. |
|-----|------|-------|---------------|--|-----|------|
| 7 | 2 | G1358 | JG61-70531A | SPRING ETC-LOCKER,PLATE; SF6000,SUS304WPB | SA | 2 |
| 8 | 2 | B1073 | JC61-02128A | GUIDE-KNOCKUP R; SCX-4500,POM,NTR,GUIDE | SA | 1 |
| 9 | 2 | | JC66-03004A | GEAR-PINION; ML-2950ND,POM,0.5,32,3.9,WHI | SNA | 1 |
| 10 | 2 | | JC61-04951A | FRAME-SEMI CASSETTE; CLP-360,HIPS,GRAY,CA | SNA | 1 |
| 11 | 2 | | JC61-04935A | SUPPORT-CASSETTE EXTENSION; CLP-360,HIPS, | SNA | 1 |
| 12 | 2 | | JC61-04934A | STOPPER-PAPER REAR; CLP-360,HIPS,GRAY | SNA | 1 |
| 13 | 2 | | JC63-03487A | COVER; CLP-360,PC,GRAY | SA | 1 |

5. FRAME-MAIN

Exploded View

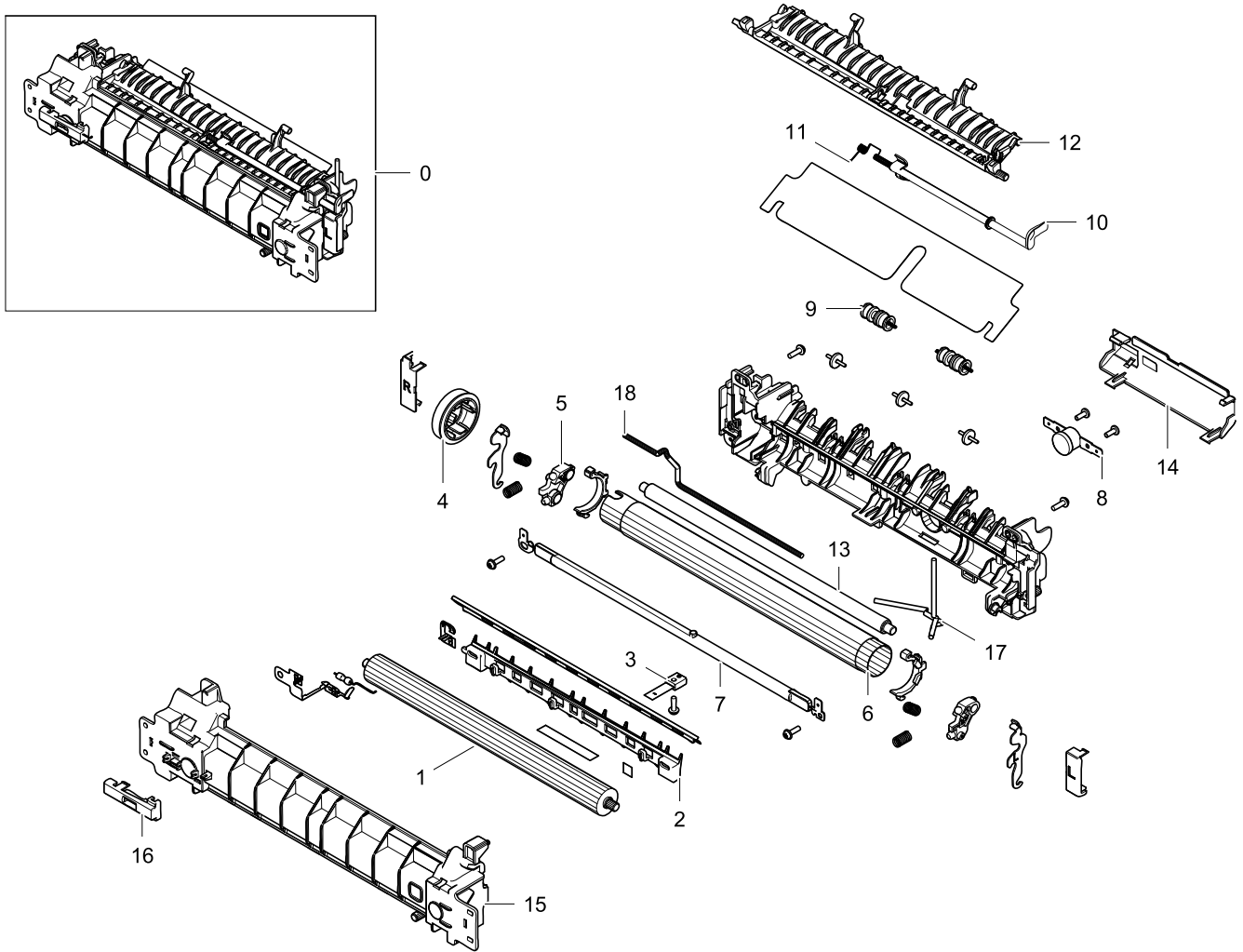


Parts List

| No. | Lvl. | Loc. | Material Code | Description & Specification | SNA | Qty. |
|-----|------|------|---------------|--|-----|------|
| 1 | 2 | | JC44-00215A | HVPS; 24V,21.6V~27.6V,MAX 5KV,MAX-2KV,600 | SA | 1 |
| 2 | 2 | | JC93-00734A | FRAME-TERMINAL; CLP-365W,SEC | SNA | 15 |
| 3 | 2 | | JC93-00547A | FRAME BASE-PAPER PATH; CLP-365W,SEC | SA | 1 |
| 4 | 2 | | JC91-01080A | FUSER; CLP-365W,SEC,WORLD,220V | SA | 1 |
| 5 | 3 | | JC97-04058A | LSU; CLP-365W,SEC,Single,A4(Ltr),600,S2,7 | SA | 1 |
| 6 | 2 | | JC93-00729B | FRAME; CLX-3305W,SEC | SNA | 1 |
| 7 | 2 | | JC92-02489A | PBA-CONNECTOR; CLP-365W,SEC,CONNECTION,45 | SA | 1 |
| 8 | 2 | | JC61-04961A | FRAME-DUMMY MFP; CLX-3305FW,HIPS,FG-1790, | SNA | 1 |

5.1. FUSER

Exploded View



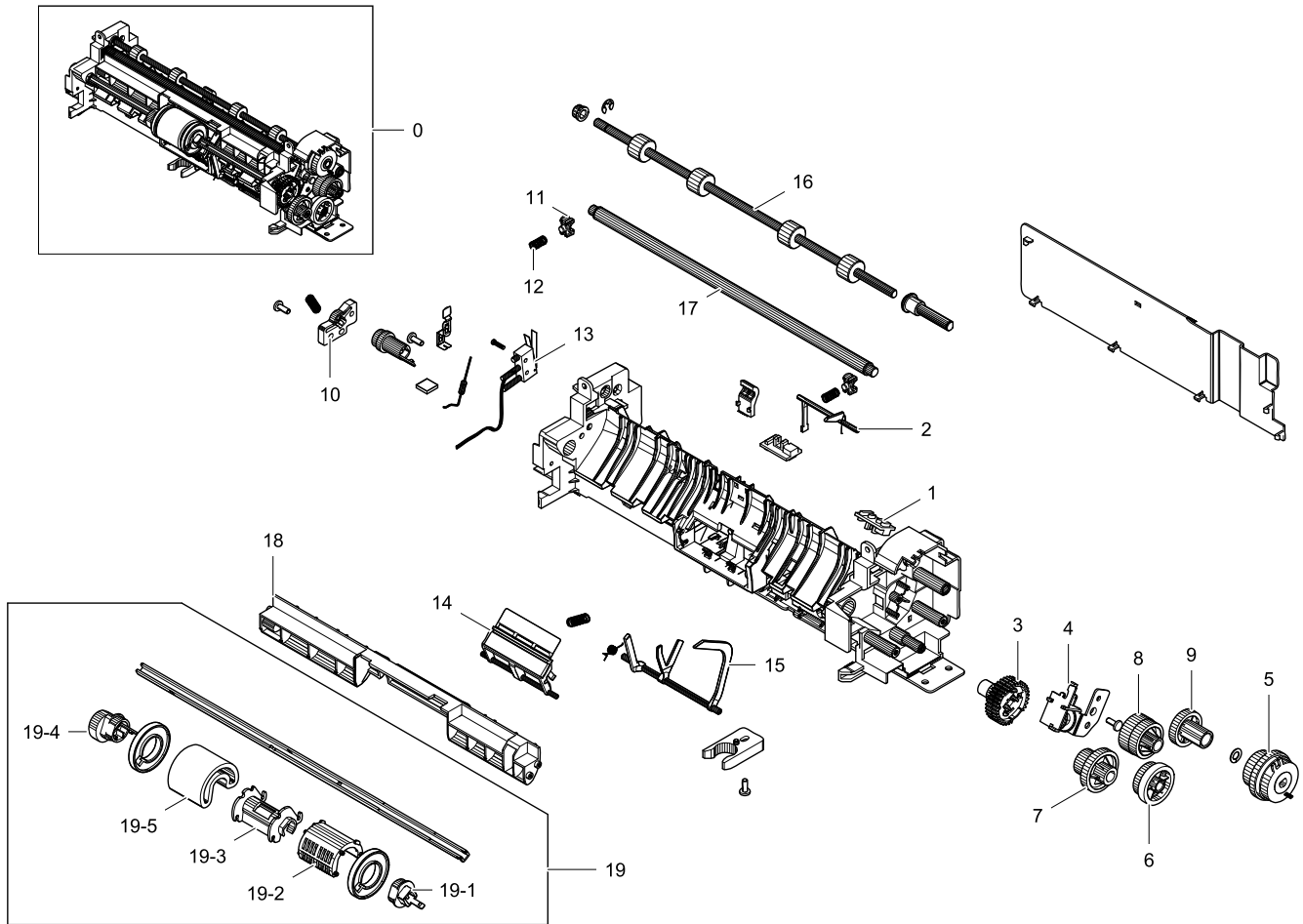
Parts List

| No. | Lvl. | Loc. | Material Code | Description & Specification | SNA | Qty. |
|-----|------|-------|---------------|--|-----|------|
| 0 | 2 | | JC91-01080A | FUSER; CLP-365W,SEC,WORLD,220V | SA | 1 |
| 1 | 4 | L9622 | JC66-02716B | ROLLER-PRESSURE; ML-1660,8,SUM22 or SUM23 | SA | 1 |
| 2 | 4 | | JC61-04989A | GUIDE-INPUT; CLP-365W,PET+GF,LV2550GN30,P | SNA | 1 |
| 3 | 4 | | 1404-001740 | THERMISTOR-NTC ASSY; 7Kohm,3370K,0.3mW/C, | SNA | 1 |
| 4 | 4 | | JC66-03355A | GEAR-FUSER; CLP-365W,PPS,1,34,BROWN,36,13 | SNA | 1 |
| 5 | 4 | | JC61-04984A | BUSH-PR R; CLP-365W,PPS,6.1,BLACK,SEC,RBA | SNA | 1 |
| 6 | 4 | | JC66-03326A | ROLLER-HEAT; CLP-360,23.2,AL3304-H34 or S | SNA | 1 |
| 7 | 4 | | 4713-001662 | LAMP-HALOGEN; 230V,850W | SNA | 1 |

| No. | Lvl. | Loc. | Material Code | Description & Specification | SNA | Qty. |
|-----|------|-------|---------------|--|-----|------|
| 8 | 4 | | 4712-001091 | THERMOSTAT; AC125/250V,195+-5100 | SNA | 1 |
| 9 | 4 | L7112 | JC61-02423A | SPRING ETC-EXIT; CLP-310,SUS304 WPB,PI0.3 | SA | 2 |
| 10 | 4 | | JC66-03359A | ACTUATOR-EXIT; CLP-365W,PA,BLACK,ACTUATOR | SNA | 1 |
| 11 | 4 | L7540 | 6107-001507 | SPRING-TS; SUS304,NATURAL,PI0.25,W5.3,ID4 | SA | 1 |
| 12 | 4 | | JC61-04990A | GUIDE-OUTPUT; CLP-365W,PET+GF,41.1,GF30%, | SNA | 1 |
| 13 | 4 | | JC66-03871A | ROLLER-PRESSURE SHAFT; CLP-365W,9.6,SUM22 | SNA | 1 |
| 14 | 4 | | JC63-03522A | COVER-UPPER; CLP-365W,PC,SEC,NH-1035 | SNA | 1 |
| 15 | 4 | | JC61-04987A | FRAME-LOWER; CLP-365W,PET+GF,LV2550GN30,B | SNA | 1 |
| 16 | 4 | | JC67-00674A | CAP-RESISTOR; CLP-365W,PC,46,14.7 | SNA | 1 |
| 17 | 4 | H2699 | JC39-00521A | CBF HARNESS-FUSER REC; SCX-5530FN,CBF,UL3 | SA | 1 |
| 18 | 4 | | JC39-01701A | HARNESS-FUSER AC; CLP-365W,UL3398,2p,BLK, | SNA | 1 |

5.2. FRAME BASE-PAPER PATH

Exploded View



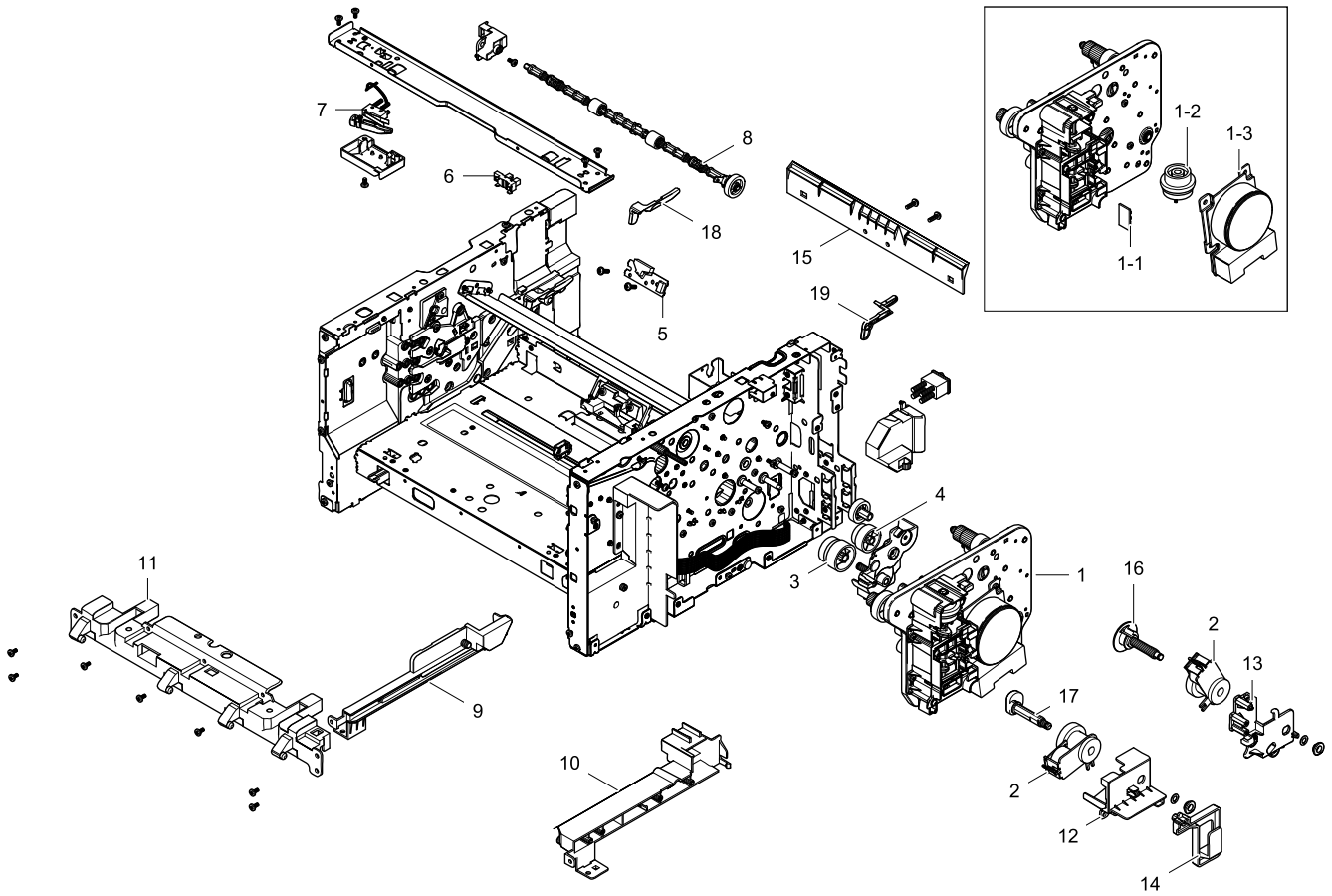
Parts List

| No. | Lvl. | Loc. | Material Code | Description & Specification | SNA | Qty. |
|-----|------|-------|---------------|--|-----|------|
| 0 | 2 | | JC93-00547A | FRAME BASE-PAPER PATH; CLP-365W,SEC | SA | 1 |
| 1 | 3 | | JC98-01960A | BOARD-EMPTY SENSOR; CLP-360W,SEC,Photo-In | SNA | 1 |
| 2 | 3 | | JC66-03321A | ACTUATOR-FEED; CLP-360,ABS+PC,BLACK,ACTUA | SA | 1 |
| 3 | 3 | | JC93-00549A | DRIVE-PICK UP; CLP-365W,SEC | SA | 1 |
| 4 | 3 | L6828 | JC33-00025B | SOLENOID-MANUAL; SCX-5135ND,DC 24V,120ohm | SA | 1 |
| 5 | 5 | | JC47-00033C | CLUTCH-ELECTRIC; 2.5,36,0.6,120mA,200Ohm | SA | 1 |
| 6 | 3 | | JC66-03824A | GEAR-RDCN PH 3; CLP-365W,POM,M0.8 / M0.6, | SNA | 1 |
| 7 | 3 | | JC66-03825A | GEAR-RDCN PICK-UP; CLP-365W,POM,M0.6 / M0 | SNA | 1 |
| 8 | 3 | | JC66-03826A | GEAR-RDCN REGI; CLP-365W,POM,M0.6 / M0.6, | SNA | 1 |

| No. | Lvl. | Loc. | Material Code | Description & Specification | SNA | Qty. |
|------|------|-------|---------------|--|-----|------|
| 9 | 3 | | JC66-03813A | GEAR-IDLE REGI; CLP-365W,POM,M0.6,Z35,NAT | SNA | 1 |
| 10 | 3 | C5143 | JC61-01548A | HOLDER-M-CAM; CLP-300,POM (DE8903),18.5,2 | SA | 1 |
| 11 | 3 | | JC61-05049A | HOLDER-SHAFT IDLE; CLP-365W,POM,NATURAL | SNA | 2 |
| 12 | 3 | L7445 | 6107-001309 | SPRING-CS; SWP-B,PI0.5,L10,ID4.0,OD5.0 | SA | 2 |
| 13 | 3 | | JC39-01704A | HARNESS-COVER S/W; CLP-365W,UL10272,2p,BL | SA | 1 |
| 14 | 3 | | JC93-00555A | FRAME BASE-HOLDER PAD; CLP-365W,SEC | SNA | 1 |
| 15 | 3 | | JC66-03322A | ACTUATOR-EMPTY; CLP-360,ABS+PC,BLACK,ACTU | SA | 1 |
| 16 | 3 | | JC66-03317A | ROLLER-REGI; CLP-360,EPDM,SUM22,6 | SA | 1 |
| 17 | 3 | | JC66-03899A | SHAFT-FEED IDLE_C; CLP-360,SUM 22,237,8.0 | SNA | 1 |
| 18 | 3 | | JC61-05648A | GUIDE-PATH LOWER; CLP-365W,ABS,1.5,20,222 | SNA | 1 |
| 19 | 3 | | JC93-00553A | FRAME BASE-PICK UP; CLP-365W,SEC | SA | 1 |
| 19-1 | 4 | G1665 | JC61-01714A | STOPPER-PICK_UP L; ML-2571N,POM,D17,20,NA | SA | 1 |
| 19-2 | 4 | | JC61-05815A | HOUSING-PICKUP A; CLP-365W,ABS+PC,25.7,32 | SA | 1 |
| 19-3 | 4 | C5342 | JC61-02389A | HOUSING-PICKUP B; CLP-310,POM F20-02,1.0, | SA | 1 |
| 19-4 | 4 | | JC66-03786A | CAM-CTD; CLP-365W,POM,1.2,NATURAL,Right | SNA | 1 |
| 19-5 | 4 | | JC73-00309A | RUBBER-PICK_UP; CLP-310,EPDM | SA | 1 |

5.3. FRAME

Exploded View



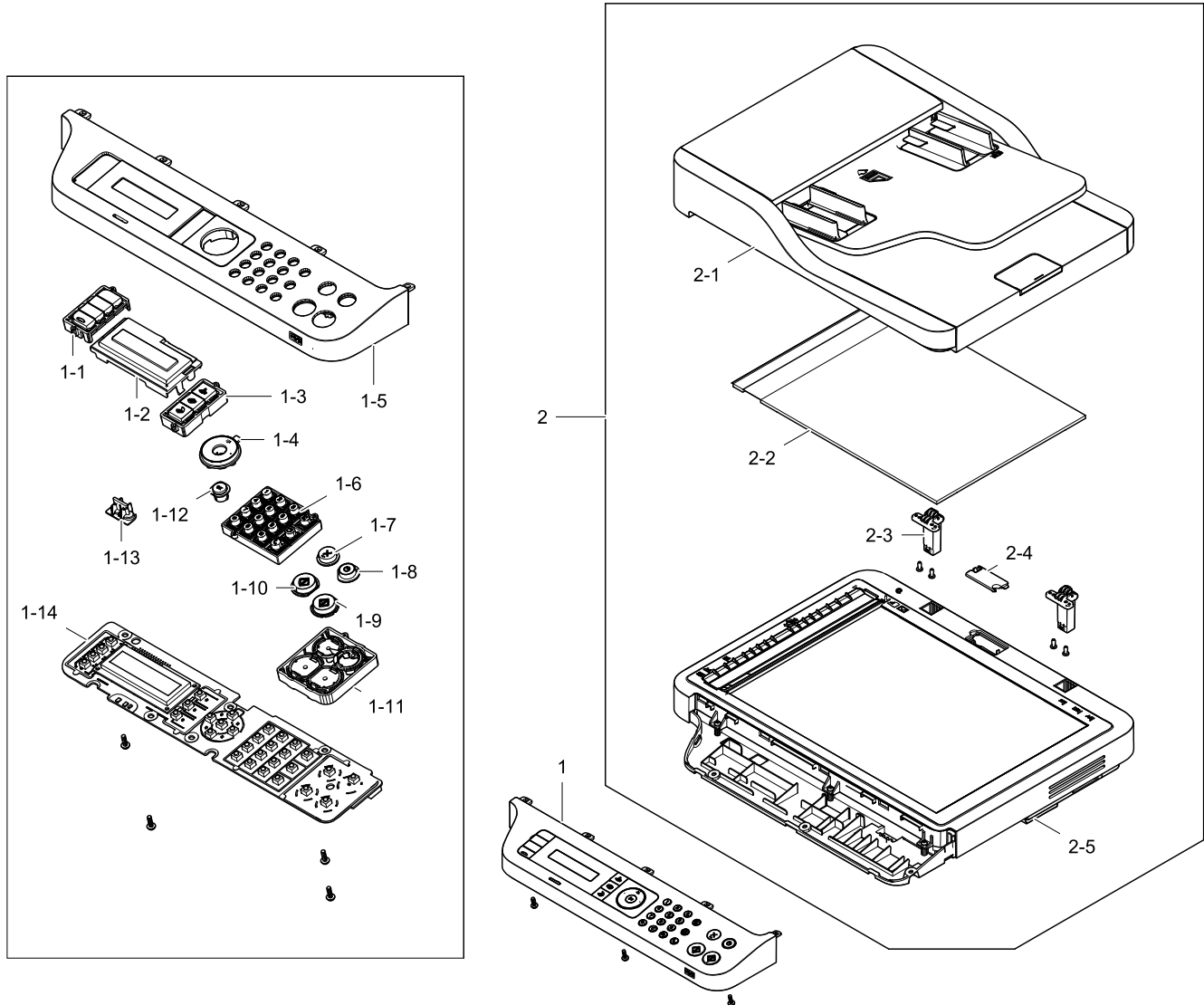
Parts List

| No. | Lvl. | Loc. | Material Code | Description & Specification | SNA | Qty. |
|-----|------|-------|---------------|--|-----|------|
| 1 | 4 | | JC93-00714A | DRIVE; CLP-365W,SEC,WORLD | SA | 1 |
| 1-1 | 5 | K4920 | JC92-01986A | PBA SUB-DEVEHOME; CLP-310,SEC,SEC,FR-1,1L | SA | 1 |
| 1-2 | 5 | | JC47-00033C | CLUTCH-ELECTRIC; 2.5,36,0.6,120mA,200Ohm | SA | 1 |
| 1-3 | 5 | L9654 | JC31-00091B | MOTOR BLDC; 48M843D010B/BL55K-M01,1443.82 | SA | 1 |
| 2 | 3 | H3697 | JC47-00007F | CLUTCH-ITB CAM; 8,33,0.8,133mA,180Ohm | SA | 2 |
| 3 | 3 | | JC66-03829A | GEAR-RDCN PH 2; CLP-365W,POM,M0.5 / M0.8, | SA | 1 |
| 4 | 3 | | JC66-03828A | GEAR-RDCN T2 CAM; CLP-365W,POM,M0.5 / M0. | SA | 1 |
| 5 | 4 | | JC32-00014A | SENSOR-CTD; SENSOR-CTD,0 ~ 60,5V,6.62mA,r | SA | 1 |
| 6 | 4 | L9633 | 0604-001415 | PHOTO-INTERRUPTER; TR,DIP-4,BK | SA | 1 |
| 7 | 4 | | JC39-01704A | HARNESS-COVER S/W; CLP-365W,UL10272,2p,BL | SA | 1 |

| No. | Lvl. | Loc. | Material Code | Description & Specification | SNA | Qty. |
|-----|------|------|---------------|--|-----|------|
| 8 | 3 | | JC91-01078A | FUSER-ROLLER EXIT; CLP-360,SEC,WORLD | SA | 1 |
| 9 | 3 | | JC61-05650A | GUIDE-CASSETTE L; CLP-365W,HIPS,1.5,33.86 | SNA | 1 |
| 10 | 3 | | JC61-05649A | GUIDE-CASSETTE R; CLP-365W,HIPS,1.5,35.85 | SNA | 1 |
| 11 | 3 | | JC61-05677A | GUIDE-BASE FRONT HINGE; CLP-365W,HIPS,2,3 | SA | 1 |
| 12 | 3 | | JC61-05753A | HOLDER-CLUTCH_ITB; CLP-365W,ABS,2,45,54.8 | SNA | 1 |
| 13 | 3 | | JC61-05758A | HOLDER-T2 CLUTCH; CLP-365W,HIPS,2,85.1,69 | SNA | 1 |
| 14 | 3 | | JC61-04960A | HOUSING-HARNESS; CLP-365W,HIPS,2.0T,BLACK | SNA | 1 |
| 15 | 3 | | JC61-05647A | GUIDE-PATH UPPER; CLP-365W,HIPS,1.5,30.35 | SNA | 1 |
| 16 | 3 | | JC66-03790A | SHAFT-COUPLER; CLP-365,POM,52,17,WHITE,HB | SNA | 1 |
| 17 | 3 | | JC66-03349A | SHAFT-ITB CLEAN CAM C; CLP-365W,POM,L47.1 | SNA | 1 |
| 18 | 4 | | JC64-00856A | LOCKER-ITB_LEFT; CLP-365W,POM,BLACK,L38*W | SA | 1 |
| 19 | 4 | | JC64-00855A | LOCKER-ITB_RIGHT; CLP-365W,POM,BLACK,L38* | SA | 1 |

6. MFA

Exploded View



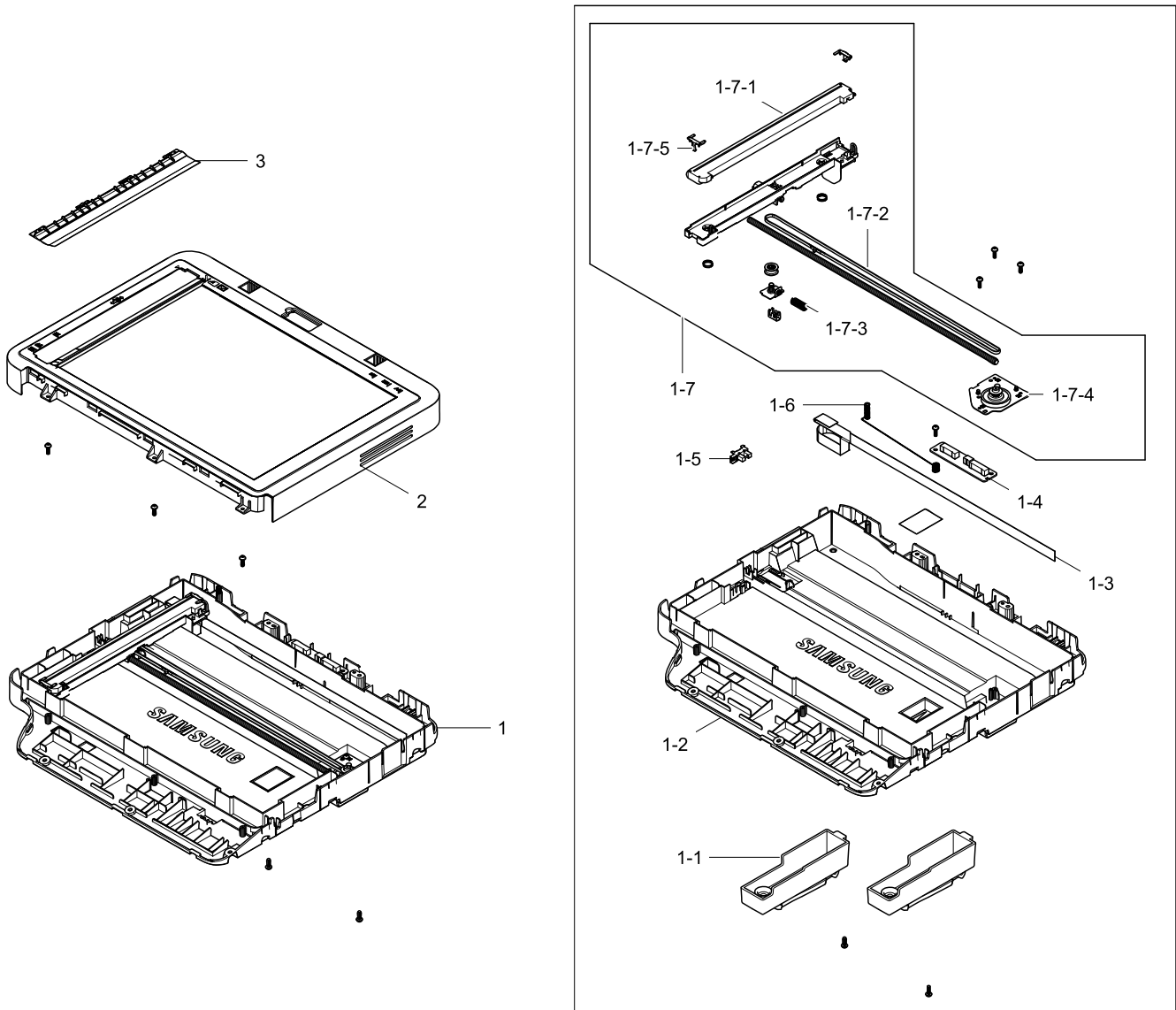
Parts List

| No. | Lvl. | Loc. | Material Code | Description & Specification | SNA | Qty. |
|-----|------|------|---------------|--|-----|------|
| 1 | 2 | | JC97-04069Q | OPE; SL-C460FW,SEE | SA | 1 |
| 1-1 | 3 | | JC64-00772E | KEY-FUNCTION; CLX-3305FW,ABS,47.63*28.8,S | SA | 1 |
| 1-2 | 3 | | JC63-03571A | COVER-LCD; CLX-3305FW,PC,2.4T,86.35,40.32 | SNA | 1 |
| 1-3 | 3 | | JC64-00765A | KEY-FAX; CLX-3305FW,ABS,50.34*26.46,2.0T, | SNA | 1 |
| 1-4 | 3 | | JC64-00766A | KEY-MENU; CLX-3305FW,ABS,29.95,1.5T,SPLIT | SNA | 1 |
| 1-5 | 3 | | JC63-03553Q | COVER-OPE; SL-C460FW,ABS,2.5T,SEE,SPLIT B | SNA | 1 |
| 1-6 | 3 | | JC64-00774A | KEY-TEL; CLX-3305FW,ABS,62.9*53.11,1.0T,S | SNA | 1 |

| No. | Lvl. | Loc. | Material Code | Description & Specification | SNA | Qty. |
|------|------|-------|---------------|--|-----|------|
| 1-7 | 3 | | JC64-00813A | KEY-STOP; CLP-680ND,ABS,14.15,SPLIT ORANG | SNA | 1 |
| 1-8 | 3 | | JC64-00812A | KEY-POWER; CLP-680ND,ABS,13.36,1.5T,SPLIT | SNA | 1 |
| 1-9 | 3 | | JC64-00820A | KEY-START-COLOR; CLX-6260ND,ABS,18.1,SPLI | SNA | 1 |
| 1-10 | 3 | | JC64-00819A | KEY-START-BLACK; CLX-6260ND,ABS,18.1,BLAC | SNA | 1 |
| 1-11 | 3 | | JC63-03846A | COVER-KEY HOLDER; CLX-3305FW,HIPS,2.0T,55 | SA | 1 |
| 1-12 | 3 | | JC64-00757A | KEY-OK; CLX-3305FW,ABS,11.04,2.0T,SPLIT B | SNA | 1 |
| 1-13 | 3 | | JC64-00775A | INDICATOR-LED STATUS W; CLX-3305FW,ABS+PC | SNA | 1 |
| 1-14 | 3 | | JC92-02497B | PBA-OPE_4IN1_FW_E; CLX-3305FN,SEC,STM8S,U | SA | 1 |
| 2 | 2 | | JC97-04185A | SCANNER; CLX-3305FW,SEE | SNA | 1 |
| 2-1 | 3 | | JC97-04067A | ADF; CLX-3305FW,SEC,SSDP,FG-1790,2.4,BROW | SA | 1 |
| 2-2 | 3 | L8658 | JC63-02569A | SHEET-WHITE; FIT,PP,3.6,216,250.2,White,9 | SA | 1 |
| 2-3 | 3 | | JC97-04194A | ADF-HINGE; CLX-4175,SEC,BLACK | SA | 2 |
| 2-4 | 3 | | JC63-03545A | COVER-CONNECTOR; CLX-3305FW,HIPS,2.2T,43, | SA | 1 |
| 2-5 | 3 | | JC97-04070A | PLATEN; CLX-3305FW,SEE | SA | 1 |

6.1. PLATEN

Exploded View



Parts List

| No. | Lvl. | Loc. | Material Code | Description & Specification | SNA | Qty. |
|-----|------|-------|---------------|--|-----|------|
| 1 | 4 | | JC97-04072A | PLATEN-LOWER; CLX-3305FW,SEE | SA | 1 |
| 1-1 | 5 | | JC63-03974A | COVER-JAM HOLDER; CLX-3305FW,HIPS,2.0T,72 | SNA | 2 |
| 1-2 | 5 | | JC63-03554A | COVER-SCAN LOWER; CLX-3305FW,HIPS,2.0T,39 | SNA | 1 |
| 1-3 | 5 | | JC39-01714A | FLAT CABLE-CIS; CLX-3305FW,16P,0.05,700mm | SA | 1 |
| 1-4 | 5 | | JC92-02623A | PBA-ADF JOINT; SCX-4805FW,SEC,ADF JOINT P | SA | 1 |
| 1-5 | 5 | L9633 | 0604-001415 | PHOTO-INTERRUPTER; TR,DIP-4,BK | SA | 1 |

| No. | Lvl. | Loc. | Material Code | Description & Specification | SNA | Qty. |
|-------|------|-------|---------------|--|-----|------|
| 1-6 | 5 | | 6107-002981 | SPRING-ETC; SUS304,0.5,9,6.5,2.4,LEFT | SNA | 1 |
| 1-7 | 5 | | JC97-03968B | SCANNER-PLATEN FLA; CLX-3305FW,SEE | SNA | 1 |
| 1-7-1 | 6 | | 0609-001482 | CONTACT IMAGE SENSOR; 217mm,10368dot,0.5m | SA | 1 |
| 1-7-2 | 6 | A4232 | 6602-001637 | BELT-TIMING GEAR; POLY URETHANE,T0.98,L73 | SA | 1 |
| 1-7-3 | 6 | G1544 | 6107-001194 | SPRING-CS; SWP-B,BLK,PI0.9,D6.95,L20,ID6. | SA | 1 |
| 1-7-4 | 6 | | JC93-00712A | DRIVE-PLATEN; CLX-3305FW | SA | 1 |
| 1-7-5 | 6 | G0802 | JC66-01580A | SLIDER-CIS; CLX-2160,RTP 899X93924,0.7,11 | SA | 2 |
| 2 | 4 | | JC97-04071A | PLATEN-UPPER; CLX-3305FW,SEE | SNA | 1 |
| 3 | 4 | | JC97-04066A | PLATEN-SHEET; SCX-4729FD,SEE | SA | 1 |