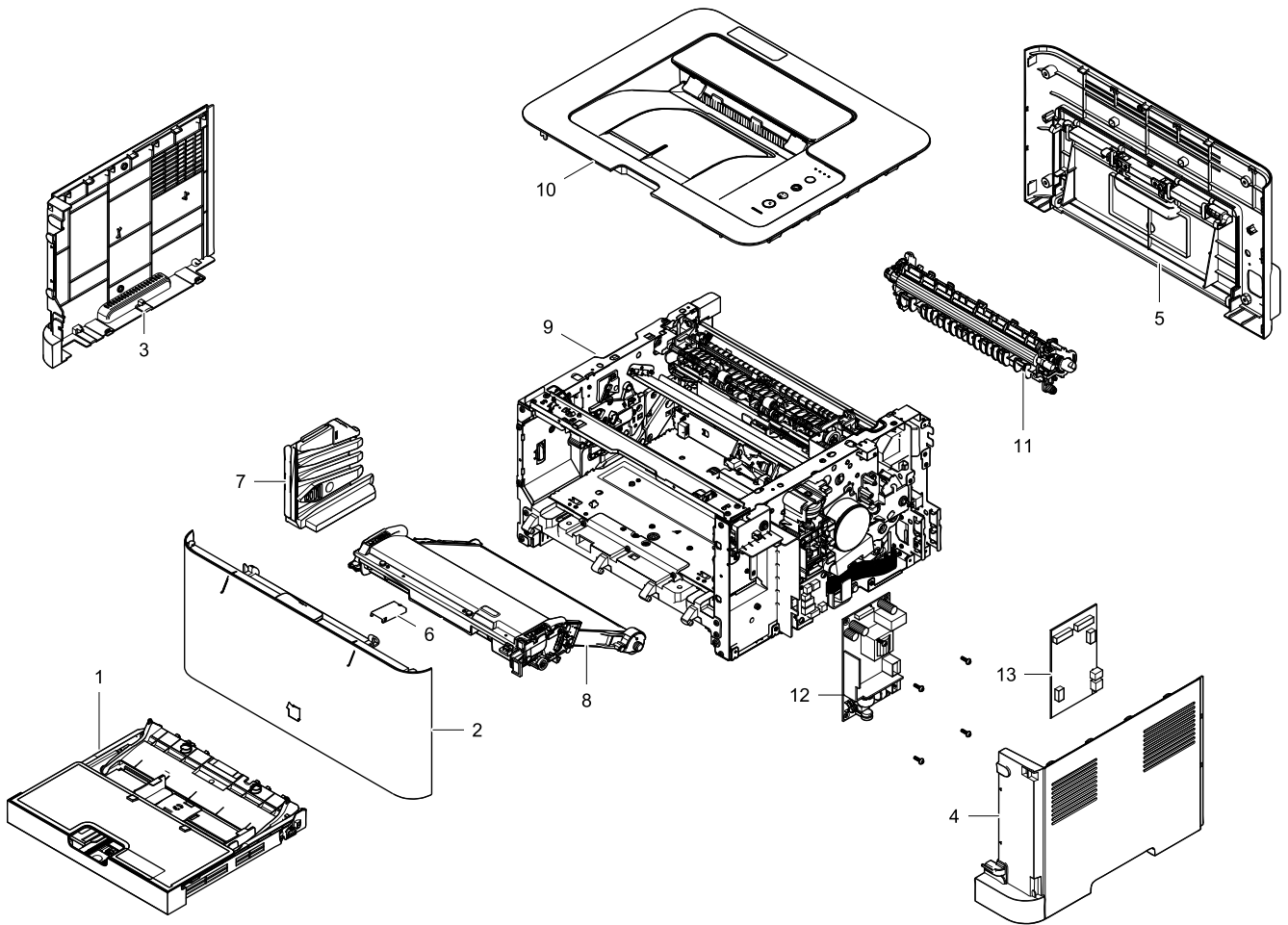


# 1. MAIN

## Exploded View



## Parts List

No.	Lvl.	Loc.	Material Code	Description & Specification	SNA	Qty.
1	1		JC90-01142E	CASSETTE; C430,SEC,NON-MD	SA	1
2	2		JC95-02019A	COVER-FRONT; SL-C430	SA	1
3	2		JC63-03531B	COVER-LEFT; CLP-360,ABS,LENOVO,CREAM WHIT	SA	1
4	2		JC63-03567B	COVER-RIGHT; CLP-360,ABS,2.0T,CREAM WHITE	SA	1
5	2		JC95-01588D	COVER-REAR; SL-C430	SA	1
6	2	H4282	JC63-01574A	COVER-CABLE; CLP-310,POM,T1.5,19.7,37.3,H	SA	1
7	2		JC96-06298A	CARTRIDGE-WTB; CLP-365W,SEC	SA	1
8	1		JC96-06292B	TRANSFER-CARTRIDGE; CLP-365W,SEC	SA	1
9	1		JC93-00728P	FRAME-MAIN; C430,220v	SNA	1
10	1		JC95-02018A	COVER-TOP; SL-C430	SA	1
11	1		JC93-00708A	FRAME-TRANSFER; CLP-365	SA	1

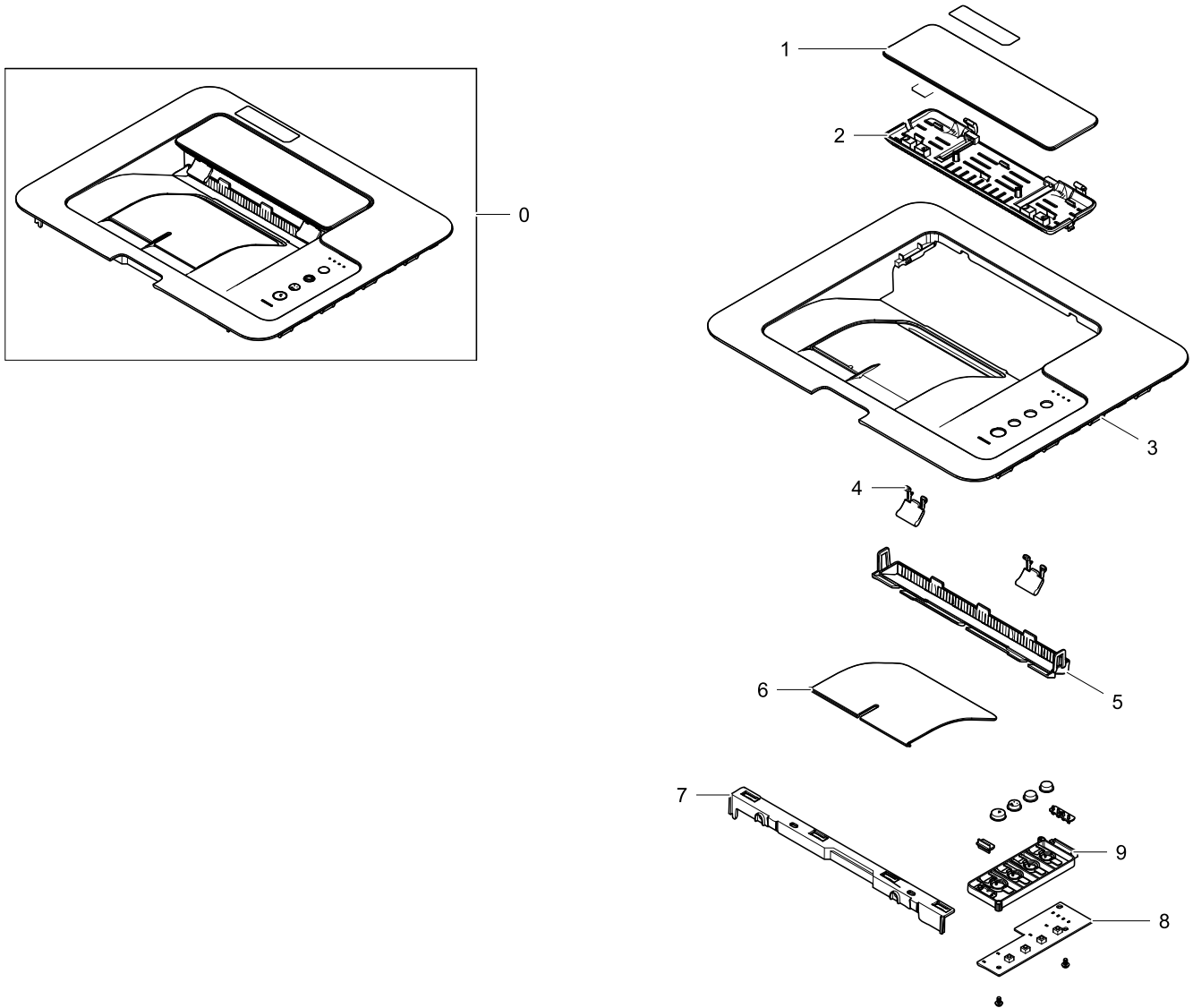
Exploded Views and Parts List

---

No.	Lvl.	Loc.	Material Code	Description & Specification	SNA	Qty.
12	1		JC44-00214A	SMPS-V2; CLP-365W,Carlsen,Flyback,60W,220	SA	1
13	1		JC92-02814G	PBA MAIN; C430,SEC,NON-MD,SL-C430/STS,ETS	SA	1

## 2. COVER-TOP

### Exploded View



### Parts List

No.	Lvl.	Loc.	Material Code	Description & Specification	SNA	Qty.
0	1		JC95-02018A	COVER-TOP; SL-C430	SA	1
1	2		JC63-03533A	COVER-DUST; CLP-365W,ABS,2.0T,229.9,70.8,	SNA	1
2	2		JC63-03534A	COVER-JAM; CLP-365W,ABS,2.0T,228.6,67.8,S	SNA	1
3	2		JC63-05272A	COVER-TOP; SL-C430,ABS,SEE,SPLIT BROWN BL	SNA	1
4	2		JC67-00603A	MACHINERY ETC-PMO SUB STACKER; CLP-365W,A	SNA	2
5	2		JC63-03569A	COVER-EXIT; CLP-365W,ABS+PC,2.0T,240,32.5	SNA	1
6	2		JC61-05006A	STACKER-MAIN; CLP-360,ABS,136,118.9,HB,BR	SA	1

## Exploded Views and Parts List

No.	Lvl.	Loc.	Material Code	Description & Specification	SNA	Qty.
7	2		JC63-03568A	COVER-TOP DUMMY; CLP-365W,HIPS,2.0T,287.2	SNA	1
8	2		JC92-02826B	PBA OPE; C430,SEC	SA	1
9	2		JC63-03535A	COVER-KEY-HOLDER; CLP-365W,HIPS,1.5T,115.	SNA	1

## **3. FRAME-TRANSFER**

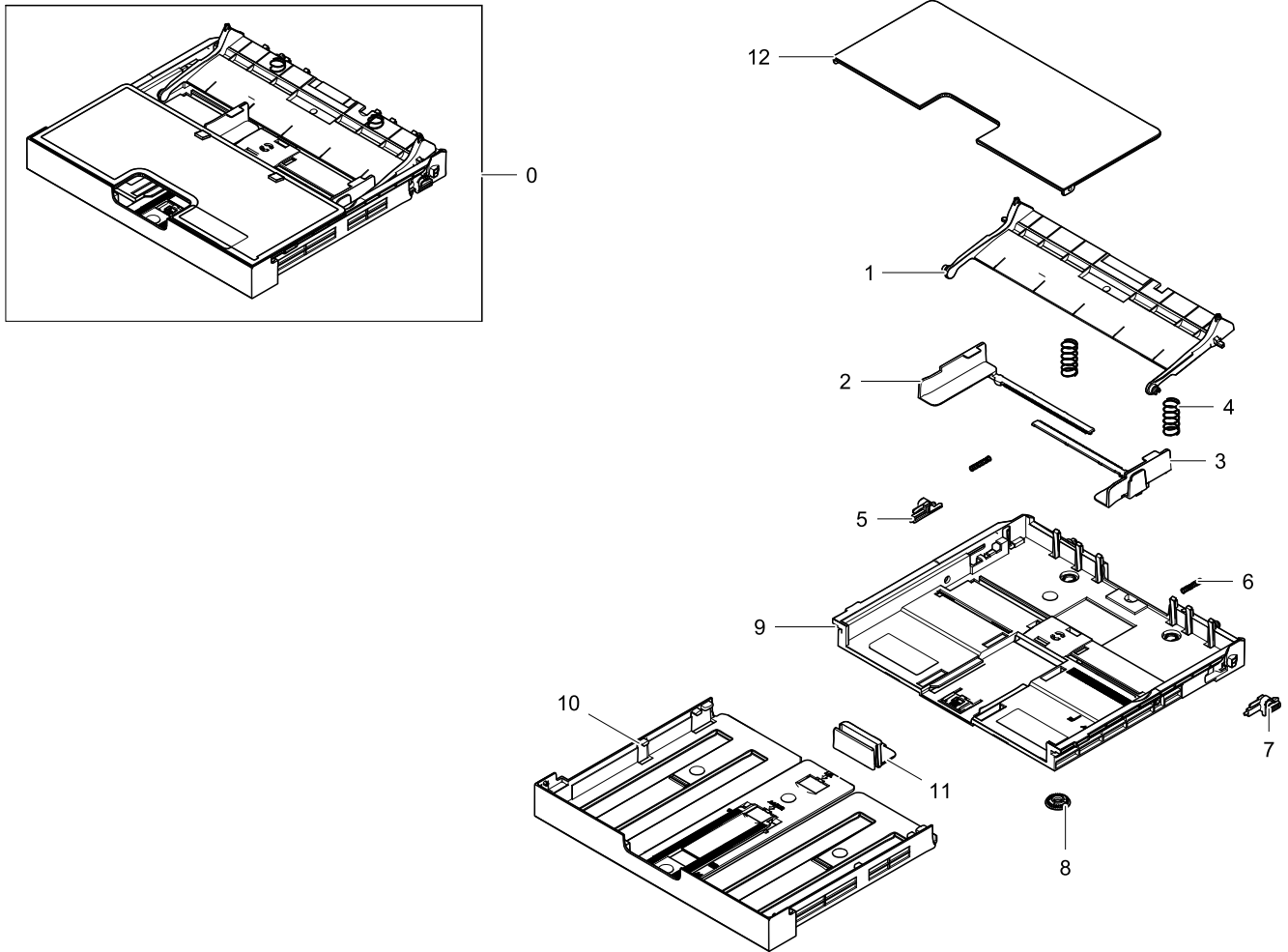
---

**Exploded View**

**Parts List**

# 4. CASSETTE

## Exploded View



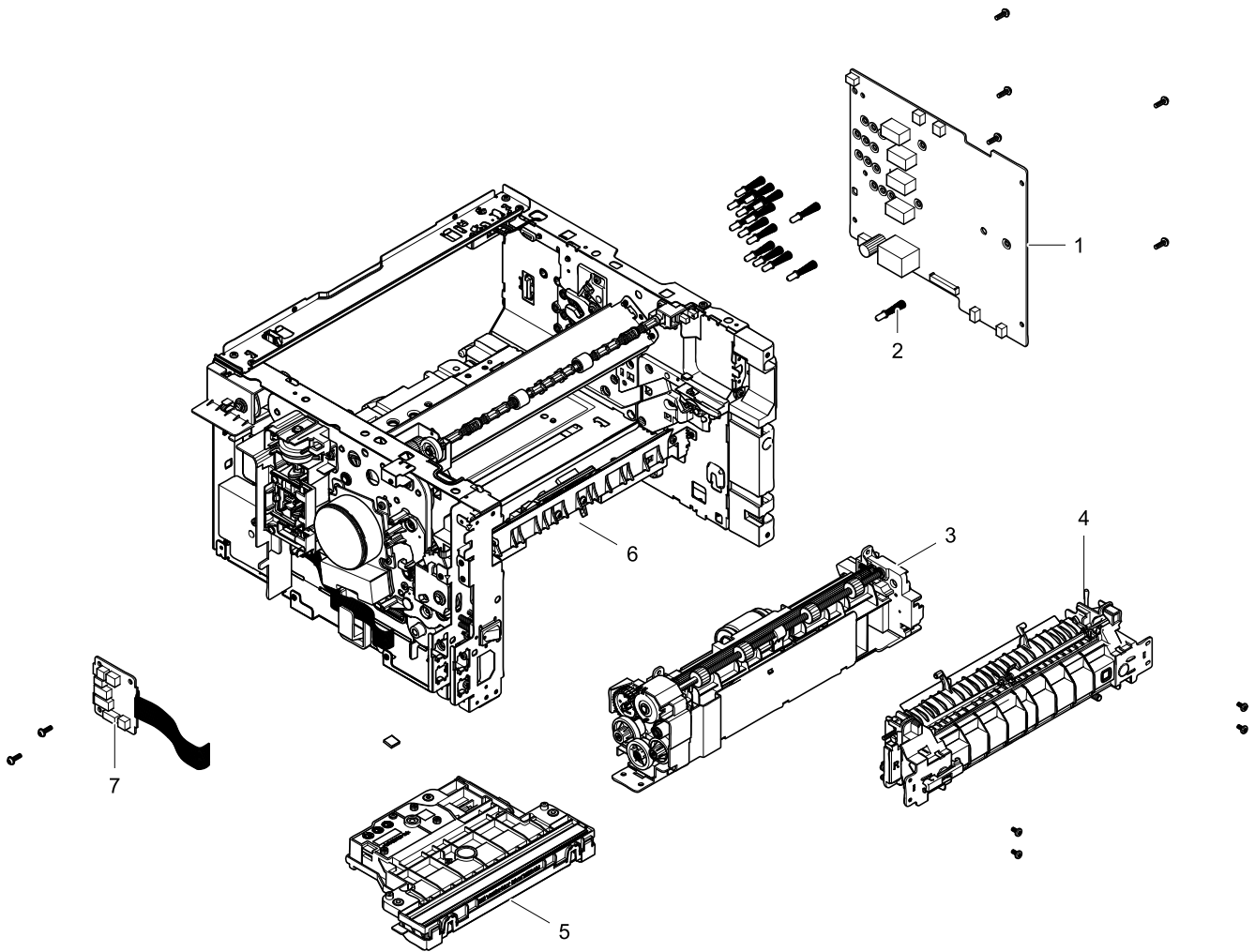
## Parts List

No.	Lvl.	Loc.	Material Code	Description & Specification	SNA	Qty.
0	1		JC90-01142E	CASSETTE; C430,SEC,NON-MD	SA	1
1	2		JC61-04940B	PLATE-KNOCK UP; C430,ABS,CREAM WHITE,GUID	SNA	1
2	2		JC61-04937B	GUIDE-ADJUST CASSETTE L; C430,HIPS,73,124	SA	1
3	2		JC61-04936B	GUIDE-ADJUST CASSETTE R; C430,HIPS,73,124	SA	1
4	2	G1521	6107-001240	SPRING-CS; SUS304-WPB,GROUND END,PI0.6,D1	SA	2
5	2	B1072	JC61-02127A	GUIDE-KNOCKUP L; SCX-4500,POM,NTR,GUIDE	SA	1
6	2	G1358	JG61-70531A	SPRING ETC-LOCKER,PLATE; SF6000,SUS304WPB	SA	2

No.	Lvl.	Loc.	Material Code	Description & Specification	SNA	Qty.
7	2	B1073	JC61-02128A	GUIDE-KNOCKUP R; SCX-4500,POM,NTR,GUIDE	SA	1
8	2		JC66-03004A	GEAR-PINION; ML-2950ND,POM,0.5,32,3.9,WHI	SNA	1
9	2		JC61-04951B	FRAME-SEMI CASSETTE; C430,ABS,CREAM WHITE	SNA	1
10	2		JC61-04935C	SUPPORT-CASSETTE EXTENSION; C430,ABS,2.0,	SNA	1
11	2		JC61-04934B	STOPPER-PAPER REAR; C430,ABS,CM-0140M,CRE	SA	1
12	2		JC63-03487A	COVER; CLP-360,PC,GRAY	SA	1

# 5. FRAME-MAIN

## Exploded View



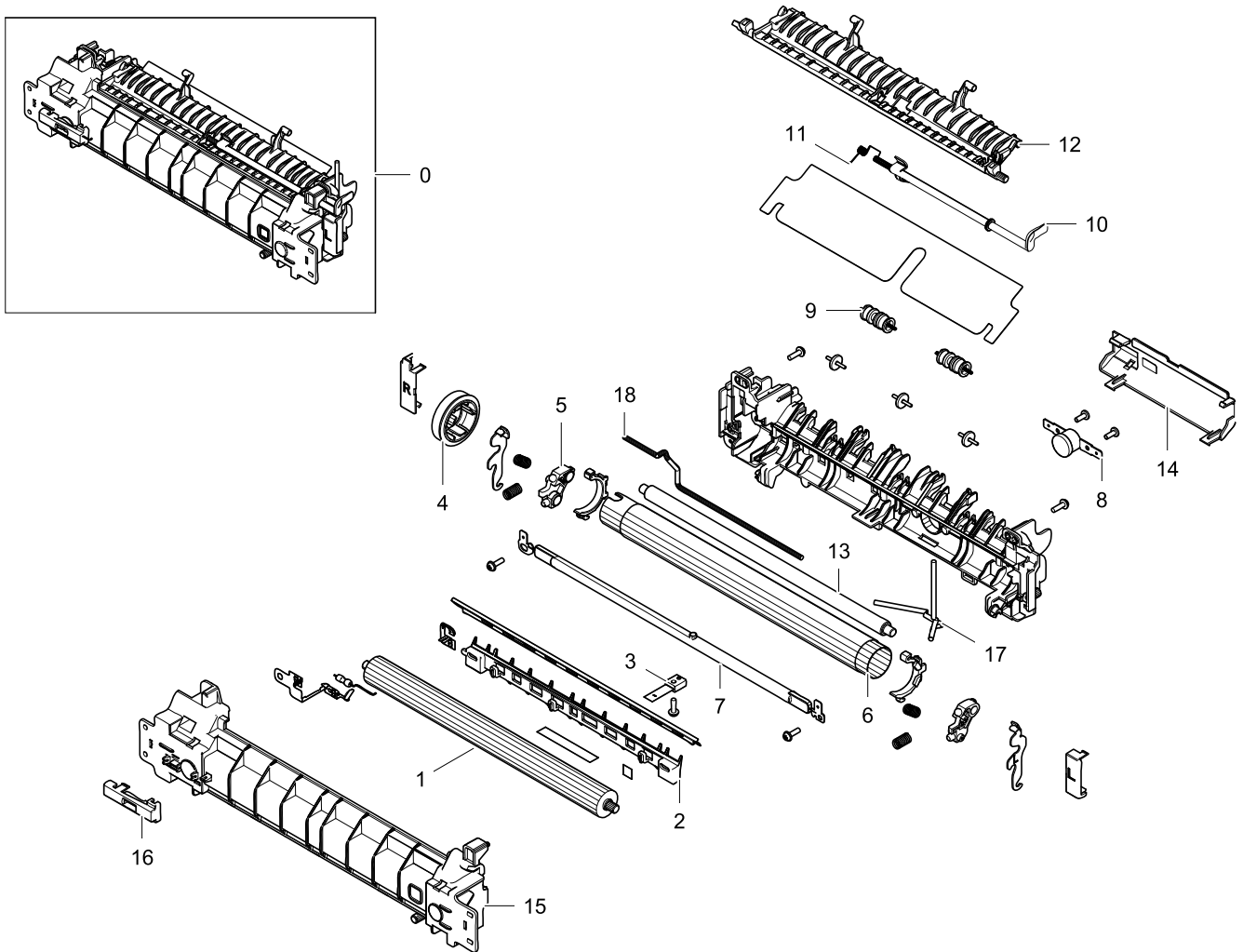
## Parts List

No.	Lvl.	Loc.	Material Code	Description & Specification	SNA	Qty.
1	2		JC44-00215B	HVPS-CARLSEN S; 24V,21.6V~27.6V,MAX 4KV,M	SA	1
2	2		JC93-00734A	FRAME-TERMINAL; CLP-365W,SEC	SA	15
3	2		JC93-01225A	FRAME-BASE PAPER PATH; C430,SEC	SA	1
4	2		JC91-01080A	FUSER; CLP-365W,SEC,WORLD,220V	SA	1
5	2		JC97-04058A	LSU; CLP-365W,SEC,Single,A4(Ltr),600,S2,7	SA	1
6	2		JC93-00729A	FRAME; CLP-365W,SEC	SNA	1
7	2		JC92-02489A	PBA-CONNECTOR; CLP-365W,SEC,CONNECTION,45	SA	1



## 5.1. FUSER

### Exploded View



### Parts List

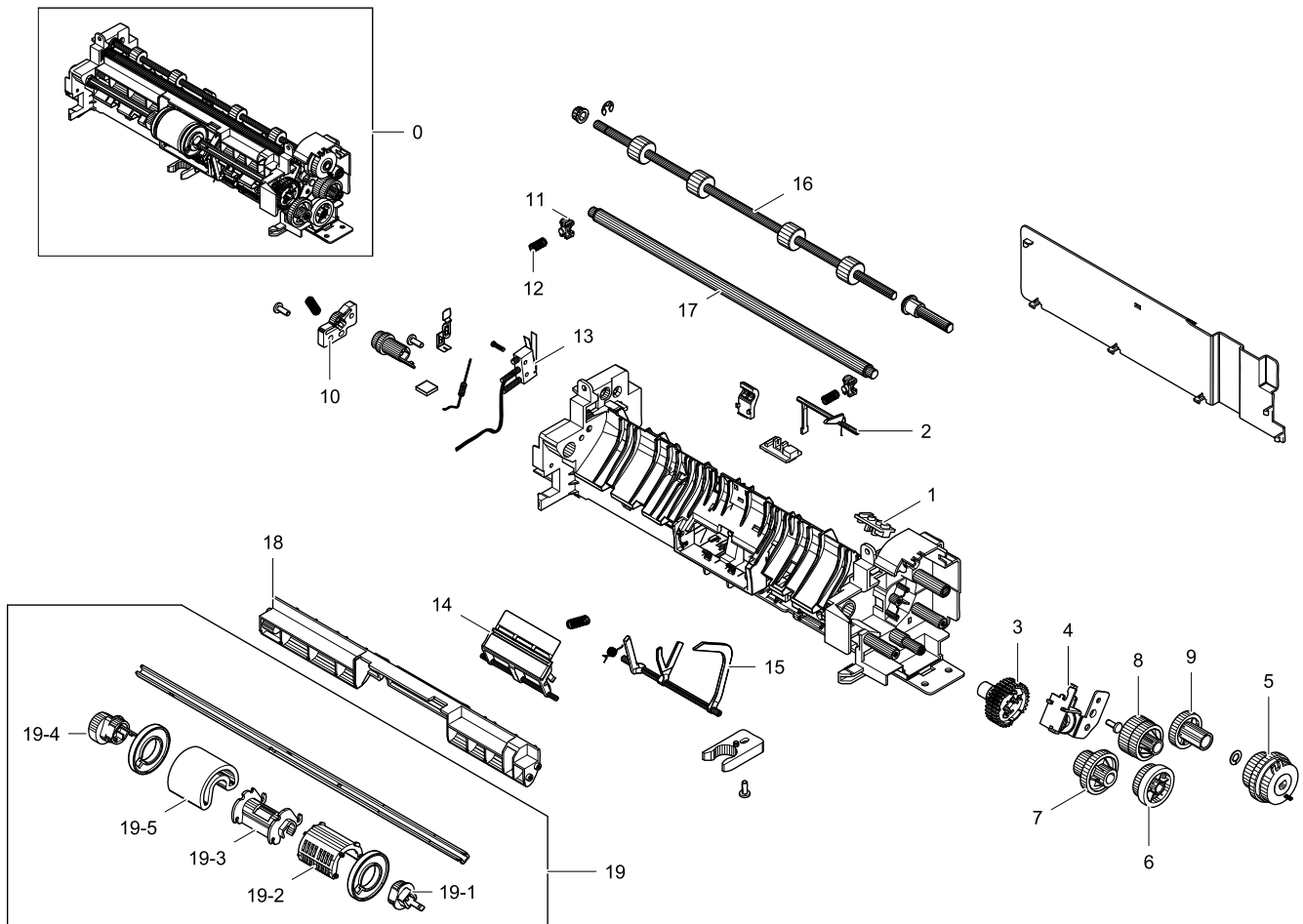
No.	Lvl.	Loc.	Material Code	Description & Specification	SNA	Qty.
0	2		JC91-01080A	FUSER; CLP-365W,SEC,WORLD,220V	SA	1
1	4	L9622	JC66-02716B	ROLLER FUSER-PRESSURE; ML-1660,8,SUM22 or	SA	1
2	4		JC61-04989A	GUIDE-INPUT; CLP-365W,PET+GF,LV2550GN30,P	SNA	1
3	4		1404-001740	THERMISTOR-NTC ASSY; 7Kohm,3370K,0.3MWC,B	SNA	1
4	4		JC66-03355A	GEAR-FUSER; CLP-365W,PPS,1,34,BROWN,36,13	SNA	1
5	4		JC61-04984A	BUSH-PR R; CLP-365W,PPS,6.1,BLACK,SEC,RBA	SNA	1
6	4		JC66-03326A	ROLLER FUSER-HEAT; CLP-360,23.2,AL3304-H3	SNA	1

## Exploded Views and Parts List

No.	Lvl.	Loc.	Material Code	Description & Specification	SNA	Qty.
7	4		4713-001662	LAMP-HALOGEN; 230V,850W	SNA	1
8	4		4712-001091	THERMOSTAT; AC125/250V,195+-5100	SNA	1
9	4	L7112	JC61-02423A	SPRING ETC-EXIT; CLP-310,SUS304 WPB,PI0.3	SA	2
10	4		JC66-03359A	ACTUATOR-EXIT; CLP-365W,PA,BLACK,ACTUATOR	SNA	1
11	4	L7540	6107-001507	SPRING-TS; SUS304,NATURAL,PI0.25,W5.3,ID4	SA	1
12	4		JC61-04990A	GUIDE-OUTPUT; CLP-365W,PET+GF,41.1,GF30%,	SNA	1
13	4		JC66-03871A	ROLLER FUSER-PRESSURE SHAFT; CLP-365W,9.6	SNA	1
14	4		JC63-03522A	COVER-UPPER; CLP-365W,PC,SEC,NH-1035	SNA	1
15	4		JC61-04987A	FRAME-LOWER; CLP-365W,PET+GF,LV2550GN30,B	SNA	1
16	4		JC67-00674A	CAP-RESISTOR; CLP-365W,PC,46,14.7	SNA	1
17	4	H2699	JC39-00521A	CBF HARNESS-FUSER REC; SCX-5530FN,CBF,UL3	SA	1
18	4		JC39-01701A	HARNESS-FUSER AC; CLP-365W,UL3398,2p,BLK,	SNA	1

## 5.2. FRAME BASE-PAPER PATH

### Exploded View



### Parts List

No.	Lvl.	Loc.	Material Code	Description & Specification	SNA	Qty.
0	2		JC93-01225A	FRAME-BASE PAPER PATH; C430,SEC	SA	1
1	3		JC98-01960A	BOARD-EMPTY SENSOR; CLP-360W,SEC,Photo-In	SNA	1
2	3		JC66-03321A	ACTUATOR-FEED; CLP-360,ABS+PC,BLACK,ACTUA	SA	1
3	3		JC93-00549A	DRIVE-PICK UP; SEC,150X91XT1,WHT,CLP-365W	SA	1
4	3	L6828	JC33-00025B	SOLENOID-MANUAL; SCX-5135ND,DC 24V,120ohm	SA	1
5	5		JC47-00033C	CLUTCH-ELECTRIC; 2.5,36,0.6,120mA,200Ohm	SA	1
6	3		JC66-03824A	GEAR-RDCN PH 3; CLP-365W,POM,M0.8 / M0.6,	SNA	1
7	3		JC66-03825A	GEAR-RDCN PICK-UP; CLP-365W,POM,M0.6 / M0	SNA	1

## Exploded Views and Parts List

No.	Lvl.	Loc.	Material Code	Description & Specification	SNA	Qty.
8	3		JC66-03826A	GEAR-RDCN REGI; CLP-365W,POM,M0.6 / M0.6,	SNA	1
9	3		JC66-03813A	GEAR-IDLE REGI; CLP-365W,POM,M0.6,Z35,NAT	SNA	1
10	3	C5143	JC61-01548A	HOLDER-M-CAM; CLP-300,POM,18.5,27.5,WHITE	SA	1
11	3		JC61-05049A	HOLDER-SHAFT IDLE; CLP-365W,POM,NATURAL	SNA	2
12	3	L7445	6107-001309	SPRING-CS; SWP-B,PI0.5,L10,ID4.0,OD5.0	SA	2
13	3		JC39-01704A	HARNES-COVER S/W; CLP-365W,UL10272,2p,BL	SA	1
14	3		JC93-00555A	FRAME BASE-HOLDER PAD; CLP-365W,SEC,L81.6	SNA	1
15	3		JC66-03322A	ACTUATOR-EMPTY; CLP-360,ABS+PC,BLACK,ACTU	SA	1
16	3		JC66-03317A	ROLLER IDLE-REGI; CLP-360,EPDM,SUM22,6	SA	1
17	3		JC66-04912A	SHAFT-FEED IDLE; SUM22,237,8,STEEL	SNA	1
18	3		JC61-05648A	GUIDE-PATH LOWER; CLP-365W,ABS,1.5,20,222	SNA	1
19	3		JC93-00553A	FRAME BASE-PICK UP; CLP-365W,SEC,USA	SA	1
19-1	4	G1665	JC61-01714A	STOPPER-PICK_UP L; ML-2571N,POM,D17,20,NA	SA	1
19-2	4		JC61-05815A	HOUSING-PICKUP A; CLP-365W,ABS+PC,25.7,32	SA	1
19-3	4	C5342	JC61-02389A	HOUSING-PICKUP B; CLP-310,POM F20-02,1.0,	SA	1
19-4	4		JC66-03786A	CAM-CTD; CLP-365W,POM,1.2,NATURAL,Right	SNA	1
19-5	4		JC73-00309A	ROLLER IDLE-RUBBER-PICK_UP; CLP-310,-,6.5	SA	1



## Exploded Views and Parts List

No.	Lvl.	Loc.	Material Code	Description & Specification	SNA	Qty.
8	3		JC91-01078A	FUSER-ROLLER EXIT; CLP-360,SEC,WORLD	SA	1
9	3		JC61-05650A	GUIDE-CASSETTE L; CLP-365W,HIPS,1.5,33.86	SNA	1
10	3		JC61-05649A	GUIDE-CASSETTE R; CLP-365W,HIPS,1.5,35.85	SNA	1
11	3		JC61-05677A	GUIDE-BASE FRONT HINGE; CLP-365W,HIPS,2,3	SA	1
12	3		JC61-05753A	HOLDER-CLUTCH_ITB; CLP-365W,ABS,2,45,54.8	SNA	1
13	3		JC61-05758A	HOLDER-T2 CLUTCH; CLP-365W,HIPS,2,85.1,69	SNA	1
14	3		JC61-04960A	HOUSING-HARNESS; CLP-365W,HIPS,2.0T,BLACK	SNA	1
15	3		JC61-05647A	GUIDE-PATH UPPER; CLP-365W,HIPS,1.5,30.35	SNA	1
16	3		JC66-03790A	SHAFT-COUPLER; CLP-365,POM,52,17,WHITE,HB	SNA	1
17	3		JC66-03349A	SHAFT-ITB CLEAN CAM C; CLP-365W,POM,L47.1	SNA	1
18	4		JC64-00856A	LOCKER-ITB_LEFT; CLP-365W,POM,BLACK,L38*W	SA	1
19	4		JC64-00855A	LOCKER-ITB_RIGHT; CLP-365W,POM,NATURAL,L3	SA	1
20	3		JC92-02568A	PBA-ERASER; CLX-360,SEC,ERASER,FR1, 1L,	SA	1
21	3	E7066	JC92-01993A	PBA-SUB-WASTE; CLP-310,SEC,SEC,FR-1,1LAYE	SA	1