

## 5. ExplodedView and Parts

# Contents

Thumbnail .....	5-2	5.23 Exit Unit_DADF .....	5-60
5.1 Main .....	5-9	5.24 Cassette .....	5-62
5.2 Cover Unit .....	5-12	5.25 Fax Unit .....	5-64
5.3 Main Frame .....	5-14	5.26 SCF .....	5-66
5.4 Base Frame .....	5-17	5.27 FINISHER UNIT (Optional Unit) ...	5-70
5.5 Main Drive .....	5-20	5.27-1 Main_Finisher .....	5-70
5.6 Fuser Drive .....	5-22	5.27-2 Frame Unit .....	5-72
5.7 Exit Ass'y .....	5-24	5.27-3 Stacker Unit .....	5-75
5.8 Fuser Unit .....	5-26	5.27-4 Extension Tray Unit.....	5-77
5.9 Pick Up Ass'y.....	5-29	5.27-5 EjectorUnit .....	5-79
5.10 Side Duplex.....	5-31	5.27-6 Compile Unit.....	5-82
5.11 MP Unit.....	5-35	5.27-7 Feed Unit .....	5-84
5.12 MP Tray .....	5-37	5.28 HCF UNIT (Optional Unit).....	5-87
5.13 Scanner Ass'y .....	5-39	5.28-1 ELA HOU-HCF.....	5-87
5.14 OPE Unit .....	5-41	5.28-2 SUB PLATE-BOTTOM .....	5-89
5.15 Platen Ass'y.....	5-43	5.28-3 SUB UNIT-REAR.....	5-92
5.16 DADF Ass'y .....	5-46	5.28-4 AS-UNIT FRAME RIGHT .....	5-94
5.17 DADF SUB Ass'y .....	5-48	5.28-5 ELA HOU-UPPER .....	5-96
5.18 Cover Platen_DADF .....	5-50	5.28-6 AS-UNIT CASSETTE .....	5-99
5.19 Cover Open_DADF .....	5-52	5.28-7 MEA UNIT-KNOCK UP .....	5-101
5.20 TX Stacker_DADF .....	5-54	5.28-8 MEA UNIT-PAPER SIDE R ...	5-103
5.21 Guide Scan_DADF.....	5-56	5.28-9 MEA UNIT-PAPER SIDE L.....	5-105
5.22 Guide Pickup_DADF .....	5-58	5.28-10 SUB GUIDE REAR .....	5-107

### DIGITAL LASER MFP

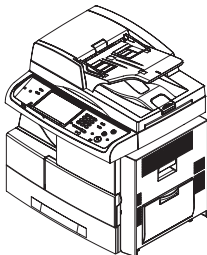
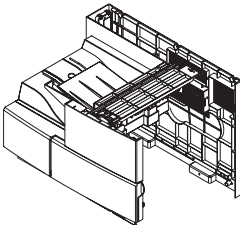
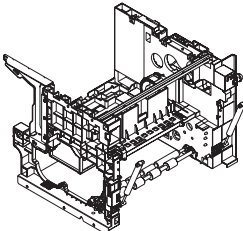
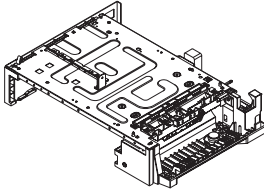
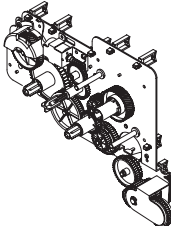
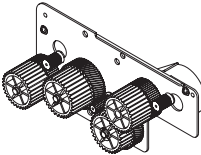
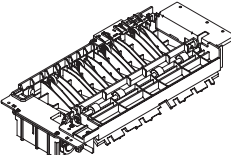
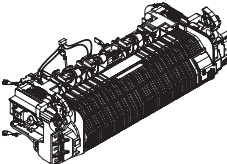
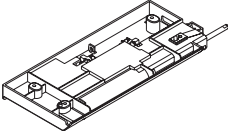
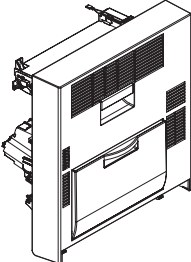
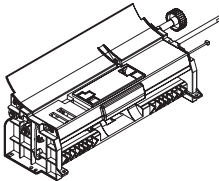
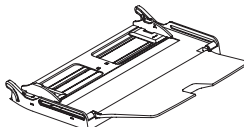
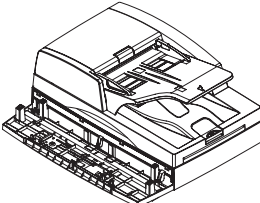
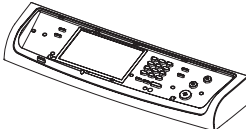
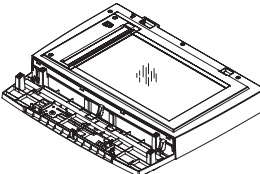
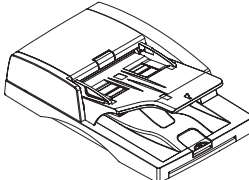


### The keynote of Product

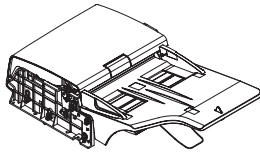
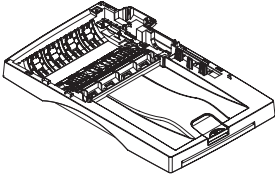
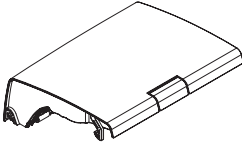
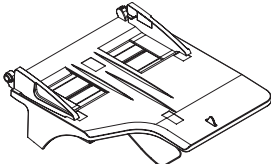
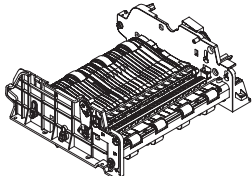
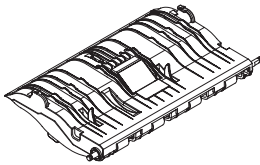
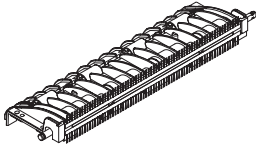
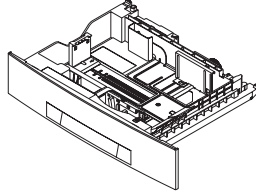
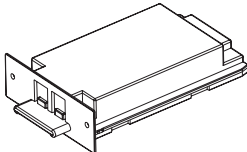
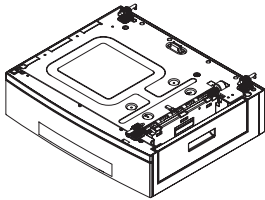
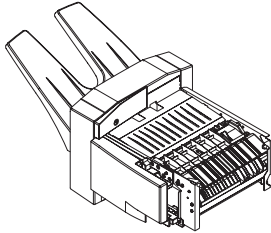
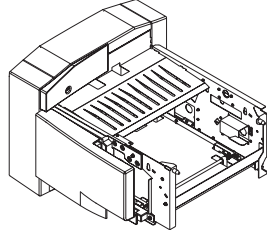
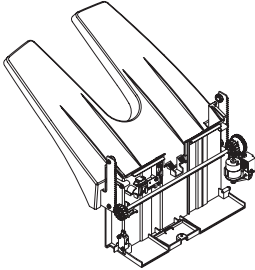
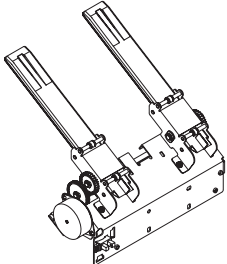
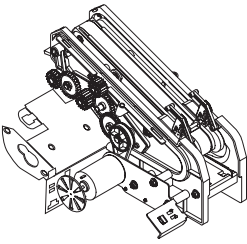
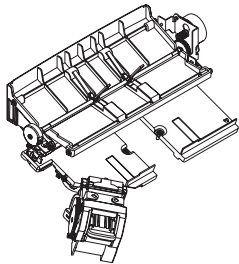
#### Copier based Multi-Function Laser printer (Print, Copy, FAX, Scan)

- 45ppm (Letter), 43ppm (A4)
- Max. 1200dpi effective output
- Ethernet 10/100/1000 Base TX
- USB 2.0
- CPU : 500MHz
- Max. paper capacity : 3,240sheets
- Drum Life :80K
- Toner yield : 25K
- HDD : 80GB
- Option : Finisher, SCF, HCF, FAX
- Machine Life : 1,000K or 5-years

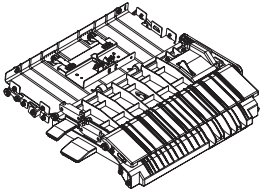
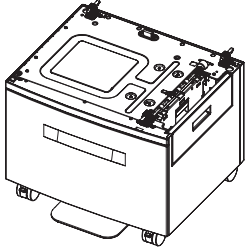
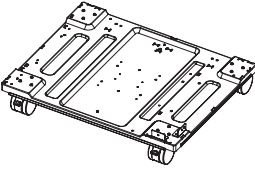
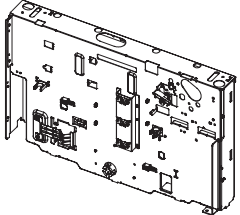
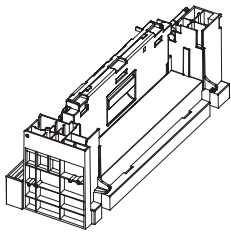
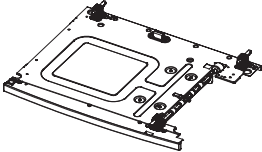
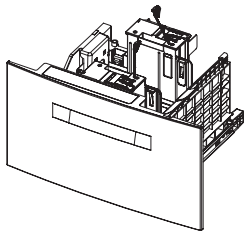
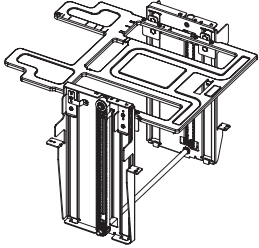
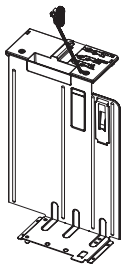
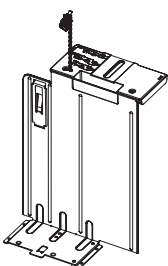
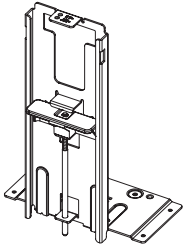
# Thumbnail

			
5.1 Main	5.2 Cover Unit	5.3 Main Frame	5.4 Base Frame
			
5.5 Main Drive	5.6 Fuser Drive	5.7 Exit Ass'y	5.8 Fuser Unit
			
5.9 Pick Up Ass'y	5.10 Side Duplex	5.11 MP Unit	5.12 MP Tray
			
5.13 Scanner Ass'y	5.14 OPE Unit	5.15 Platen Ass'y	5.16 DADF Ass'y

## Thumbnail

			
5.17 DADF SUB Ass'y	5.18 Cover Platen_DADF	5.19 Cover Open_DADF	5.20 TX Stacker_DADF
			
5.21 Guide Scan_DADF	5.22 Guide Pickup_DADF	5.23 Exit Unit_DADF	5.24 Cassette
			
5.25 Fax Unit	5.26 SCF	5.27-1 Main_Finisher	5.27-2 Frame Unit
			
5.27-3 Stacker Unit	5.27-4 Extension Tray Unit	5.27-5 EjectorUnit	5.27-6 Compile Unit

## Thumbnail

			
5.27-7 Feed Unit	5.28-1 ELA HOU-HCF	5.28-2 Sub Plate-Bottom	5.28-3 Sub Unit-Rear
			
5.28-4 AS-Unit Frame Right	5.28-5 ELA HOU-Upper	5.28-6 AS-Unit Cassette	5.28-7 MEA Unit-Knock Up
			
5.28-8 MEA Unit-Paper Side R	5.28-9 MEA Unit-Paper Side L	5.28-10 Sub Guide Rear	

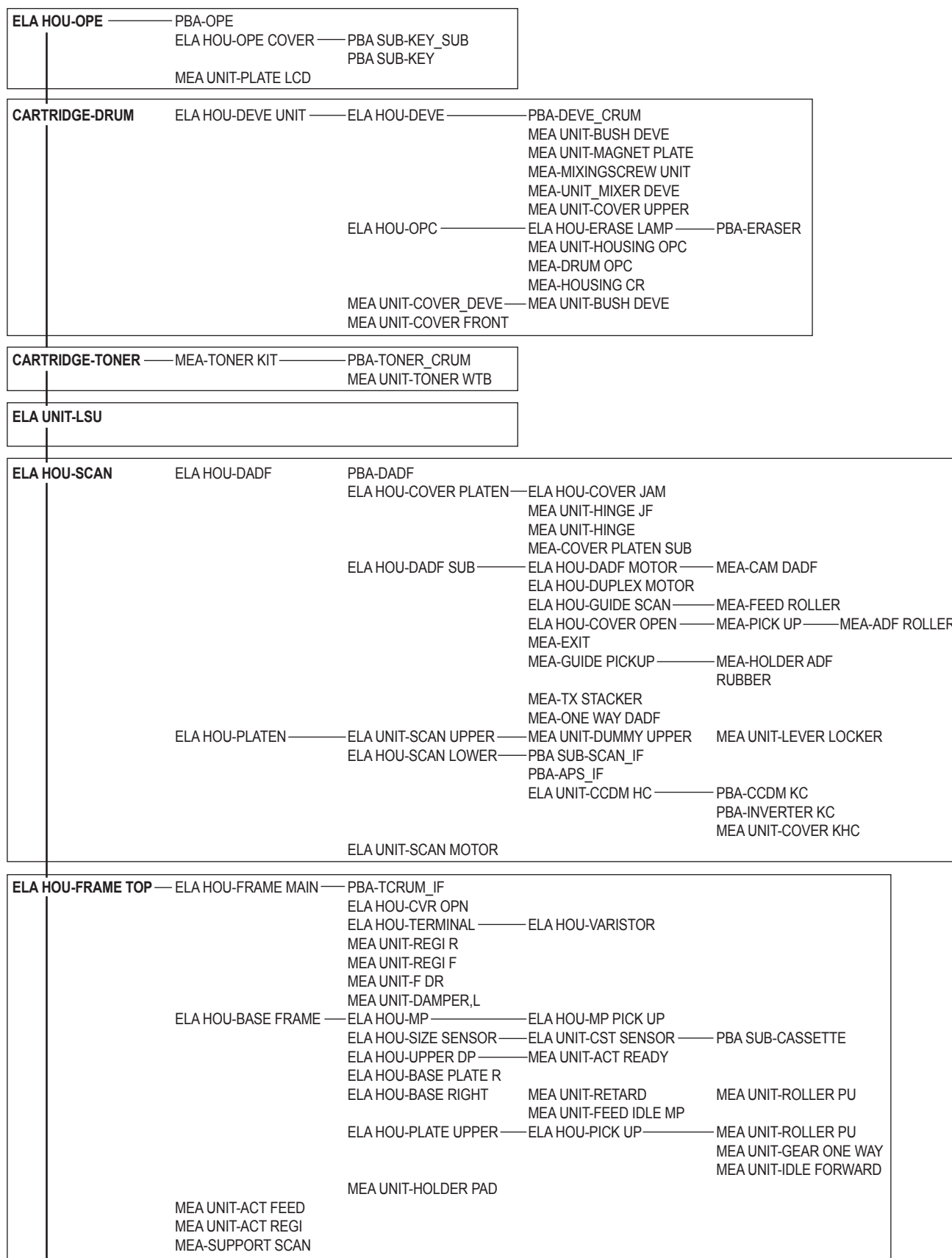
## Thumbnail List

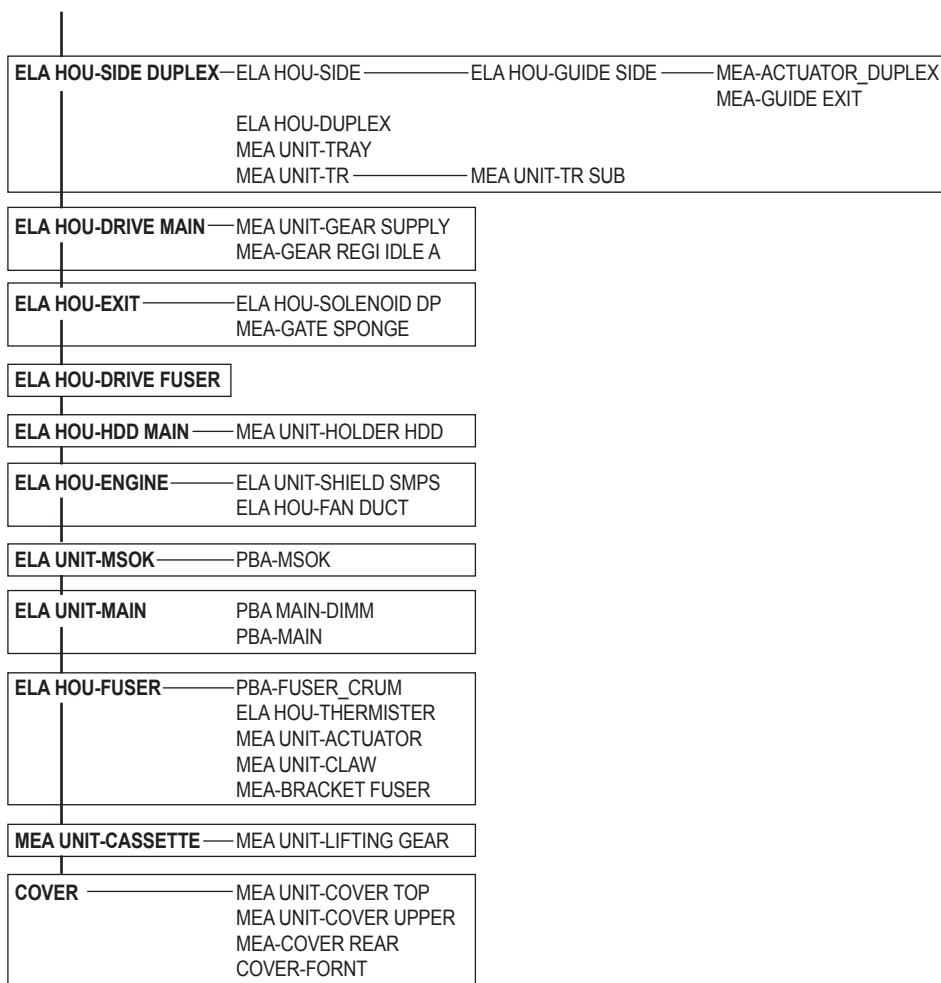
Item	SEC_Code	Description
5.1 Main	SCX-6545N	BASIC MACHINE
5.2 Cover Unit	JC95-01053A	COVER ASSEMBLY
5.3 Main Frame	JC96-04898A	MAIN FRAME ASSEMBLY
5.4 Base Frame	JC96-04903A	BASE FRAME ASSEMBLY
5.5 Main Drive	JC96-04891A	MAIN DRIVE ASSEMBLY
5.6 Fuser Drive	JC96-04893A	FUSE DRIVE ASSEMBLY
5.7 Exit Ass'y	JC96-04892A	EXIT ASSEMBLY
5.8 Fuser Unit	110V: JC96-04991A 220V: JC96-04991B	FUSER UNIT
5.9 Pick Up Ass'y	JC96-05046A	PICK_UP ASSEMBLY
5.10 Side Duplex	JC96-04890A	DUPLEX ASSEMBLY
5.11 MP Unit	JC96-04905A	MP UNIT
5.12 MP Tray	JC97-02264B	MP TRAY ASSEMBLY
5.13 Scanner Ass'y	JC96-04863A	SCANNERS ASSEMBLY
5.14 OPE Unit	JC96-04666A	OPE UNIT
5.15 Platen Ass'y	JC96-04979A	PLATEN ASSEMBLY
5.16 DADF Ass'y	JC96-04855A	DADF ASSEMBLY
5.17 DADF SUB Ass'y	JC96-04858A	DADF_SUB ASSEMBLY
5.18 Cover Platen_DADF	JC96-04856A	DADF_COVER PLATEN
5.19 Cover Open_DADF	JC96-04862A	DADF_COVER OPEN
5.20 TX Stacker_DADF	JC97-03098A	DADF_TX STACKER
5.21 Guide Scan_DADF	JC96-04861A	DADF_GUIDE SCAN
5.22 Guide Pickup_DADF	JC97-03096A	DADF_GUIDE PICK_UP
5.23 Exit Unit_DADF	JC97-03095A	DADF_EXIT UNIT
5.24 Cassette	JC97-02273B	CASSETTE ASSEMBLY
5.25 Fax Unit	JC96-04081B	FAX UNIT
5.26 SCF	JC96-03530B	SCF UNIT
5.27-1 Main_Finisher	JC96-03908C	FINISHER UNIT PARTS
5.27-2 Frame Unit	-	-
5.27-3 Stacker Unit	-	-
5.27-4 Extension Tray Unit	-	-
5.27-5 EjectorUnit	JC81-03773A	-
5.27-6 Compile Unit	-	-
5.27-7 Feed Unit	-	-
5.28-1 ELA HOU-HCF	JC96-04852A	HCF UNIT PARTS
5.28-2 Sub Plate-Bottom	-	-
5.28-3 Sub Unit-Rear	-	-
5.28-4 AS-Unit Frame Right	JC81-06298A	-
5.28-5 ELA HOU-Upper	-	-
5.28-6 AS-Unit Cassette	JC81-06068A	-
5.28-7 MEA Unit-Knock Up	-	-

## Thumbnail List

Item	SEC_Code	Description
5.28-8 MEA Unit-Paper Side R	-	-
5.28-9 MEA Unit-Paper Side L	-	-
5.28-10 Sub Guide Rear	-	-

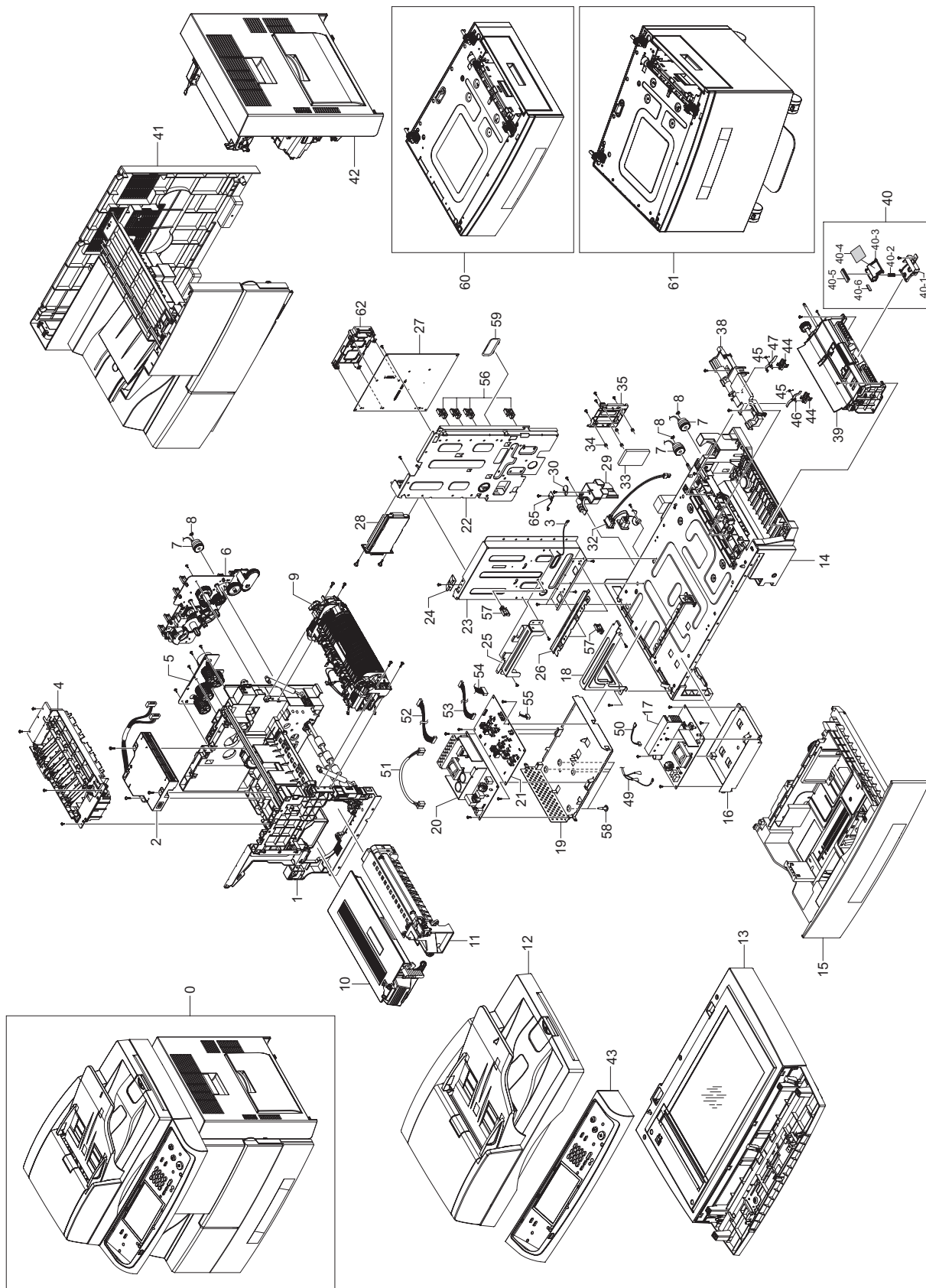
## Mech tree







# 5.1 Main



## Main Parts List

SA : SERVICE AVAILABLE, SNA : SERVICE not AVAILABLE

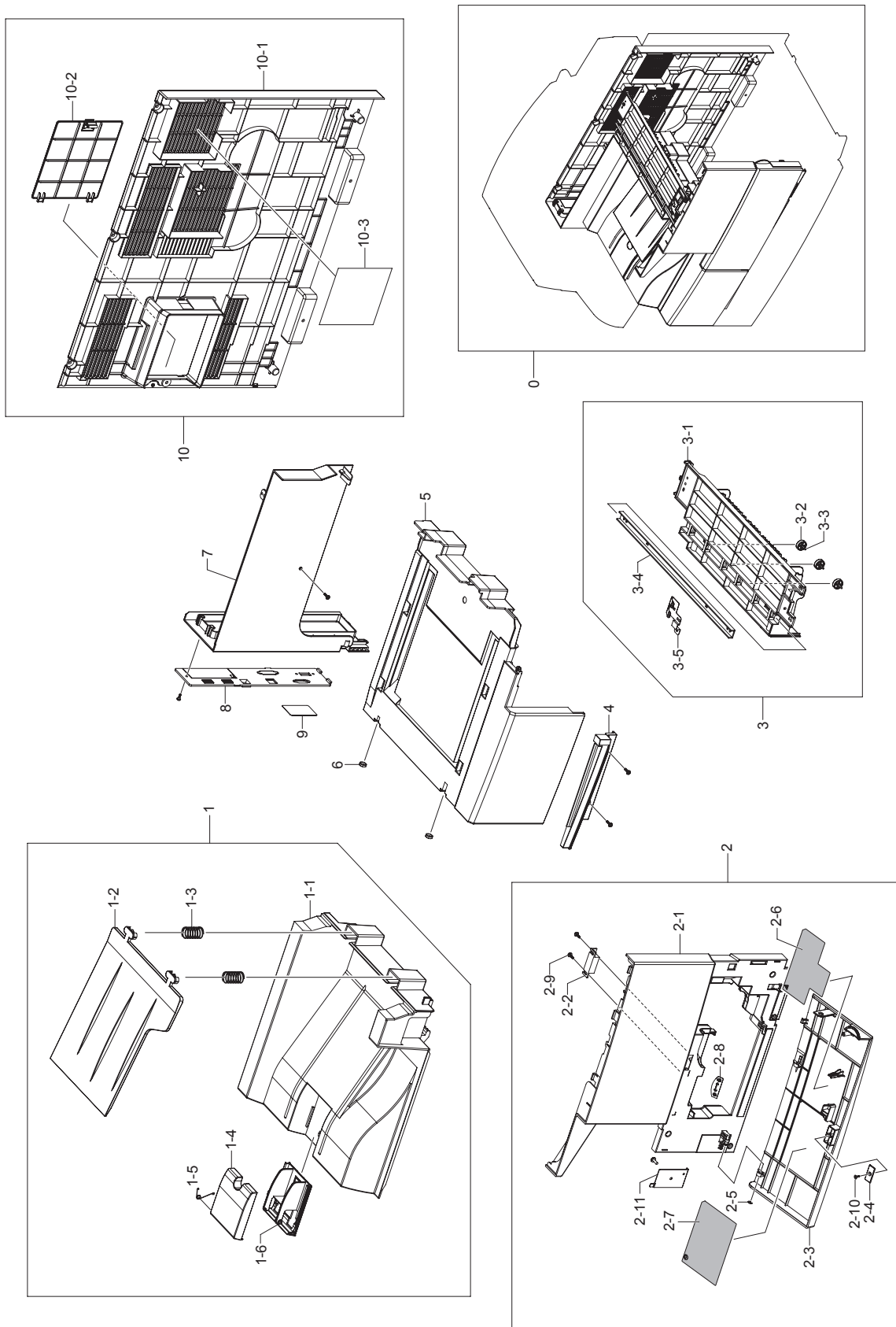
Drawer#	SEC_Code	Description	QT'y	Service	Grade	Remark
0	SCX-6545N	SET	-	-	-	
1	JC96-04898A	ELA HOU-FRAME MAIN	1	SNA	A	
2	JC59-00025A	UNIT-LSU	1	SA	A	
3	JB39-00065A	CBF HARNESS-DRIVER GND	1	SNA	D	
4	JC96-04892A	ELA HOU-EXIT	1	SA	A	
5	JC96-04893A	ELA HOU-DRIVE FUSER	1	SA	A	
6	JC96-04891A	ELA HOU-DRIVE MAIN	1	SA	A	
7	JC66-00994A	CLUTCH-5K Z32 (SPUR)	2	SA	B	
7	JC66-00994B	CLUTCH-5K Z32 (HELICAL)	1	SA	B	
8	JC61-01367A	FIXER-M_E RING 4PI	2	SA	B	
8	JC61-00423A	BUSH-6_D	1	SA	B	
9	JC96-04991A	ELA HOU-FUSER(110V)	1	SA	A	Sales
9	JC96-04991B	ELA HOU-FUSER(220V)	1	SA	A	Sales
10	JC96-04714A	ELA HOU-OPC	1	SNA	A	Sales
11	JC96-04713A	ELA HOU-DEVE	1	SNA	A	Sales
12	JC96-04855A	ELA HOU-DADF	1	SA	A	
13	JC96-04979A	ELA HOU-PLATEN	1	SA	A	
14	JC96-04903A	ELA HOU-BASE FRAME	1	SA	A	
15	JC97-02273B	MEA UNIT-CASSETTE	1	SA	A	
16	JC63-00831A	SHIELD-P_BD INVERTER	1	SA	B	
17	JC44-00159A	FDB-MULTI TRIAC V1	1	SA	B	
17	JC44-00160A	FDB-MULTI TRIAC V2C	1	SA	B	
18	JC61-01309A	PLATE-P_FINISHER F	1	SA	D	
19	JC63-00832A	SHIELD-P_SMPS LOWER	1	SA	D	
20	JC44-00093B	SMPS-PSP_TYPE5_V1	1	SA	B	
20	JC44-00100B	SMPS-PSP_TYPE5_V2	1	SA	B	
21	JC44-00158A	HVPS	1	SA	A	
22	JC63-00827A	SHIELD-P_MAIN LOWER	1	SNA	D	
23	JC61-01310A	PLATE-P_SUPPORT SCAN	1	SNA	D	
24	JC63-00791A	GROUND-P_SPRING SCAN	1	SNA	D	
25	JC61-01311A	PLATE-P_FINISHER REAR	1	SNA	D	
26	JC61-01314A	GUIDE-P_SHIELD SMPS	1	SNA	D	
27	JC92-01941D	PBA-MAIN	1	SA	A	
28	JC96-05173A	ELA HOU-FAX_PARALLE; Option Unit	1	-	-	
29	JC67-00113A	CAP-M INLET	1	SNA	D	
30	JC61-00667A	STOPPER-M FAN80	1	SNA	D	
32	JC39-00834A	HARNESS-POWER_SW	1	SNA	D	
33	JC59-00028A	HDD;80G	1	SA	A	
34	JC73-00215A	RUBBER-DAMPER HDD	4	SNA	D	

## Main Parts List

SA : SERVICE AVAILABLE, SNA : SERVICE not AVAILABLE

Drawer#	SEC_Code	Description	QT'y	Service	Grade	Remark
35	JC61-01389A	HOLDER-M_HDD	1	SNA	D	
38	JC61-01295A	PLATE-M_FEED UPPER	1	SNA	D	
39	JC96-04905A	ELA HOU-MP	1	SA	A	
40	JC97-02260A	MEA UNIT-HOLDER PAD	1	SA	D	
40-1	JC61-01415A	GUIDE-M_PAD LOWER	1	SNA	D	
40-2	JC61-00387A	SPRING ETC-PAD	1	SNA	D	
40-3	JC61-00744A	HOLDER-M-ADF RUBBER UPPER	1	SNA	D	
40-4	JC63-01085A	SHEET-GUIDE MP	1	SNA	D	
40-5	JB73-00052A	RMO-ADF RUBBER	1	SNA	D	
40-6	JC73-00079A	RPR-SEAL SIDE	1	SNA	D	
41	JC95-01053A	COVER	1	SNA	A	
42	JC96-04890A	ELA HOU-SIDE DUPLEX	1	SA	A	
43	JC97-03683A	OPE	1	SA	A	
44	JC61-01421A	HOLDER-M_ACT FEED	2	SA	D	
45	6107-001261	SPRING TS	2	SA	D	
46	JC61-01426A	LEG-M_ACT FEED BASE	1	SA	D	
47	JC61-01408A	LEG-M_ACTUATOR REGI	1	SA	D	
49	JC39-00832A	HARNESS-FUSER_FR	1	SNA	D	
51	JC39-00798A	HARNESS FUSER_AC	1	SNA	D	
52	JC39-00460A	HARNESS-SMPS	1	SA	A	
53	JC39-00779A	HARNESS-HVPS_FUSER	1	SNA	D	
54	JC39-00544A	CBF HARNESS_HVPS(8P)	1	SNA	D	
55	JC39-00545A	CBF HARNESS_HVPS(3P)	1	SNA	D	
56	6502-001101	CABLE CLAMP LARGE	4	SA	D	
57	6502-000132	CABLE CLAMP	2	SA	D	
58	6103-000101	STOPPER CLAMP	4	SA	D	
59	JC61-01012A	GUIDE-M_BUSH HARNESS	1	SA	D	
60	JC96-03530A	ELA HOU-SCF	1	SNA	D	Sales
61	JC96-04852A	ELA HOU-HCF	1	SNA	D	Sales
62	JC61-01406A	HOLDER-M_LIU	1	SA	D	
65	1404-001417	THERMISTOR-NTC ASSY	1	SA	D	

## 5.2 Cover Unit

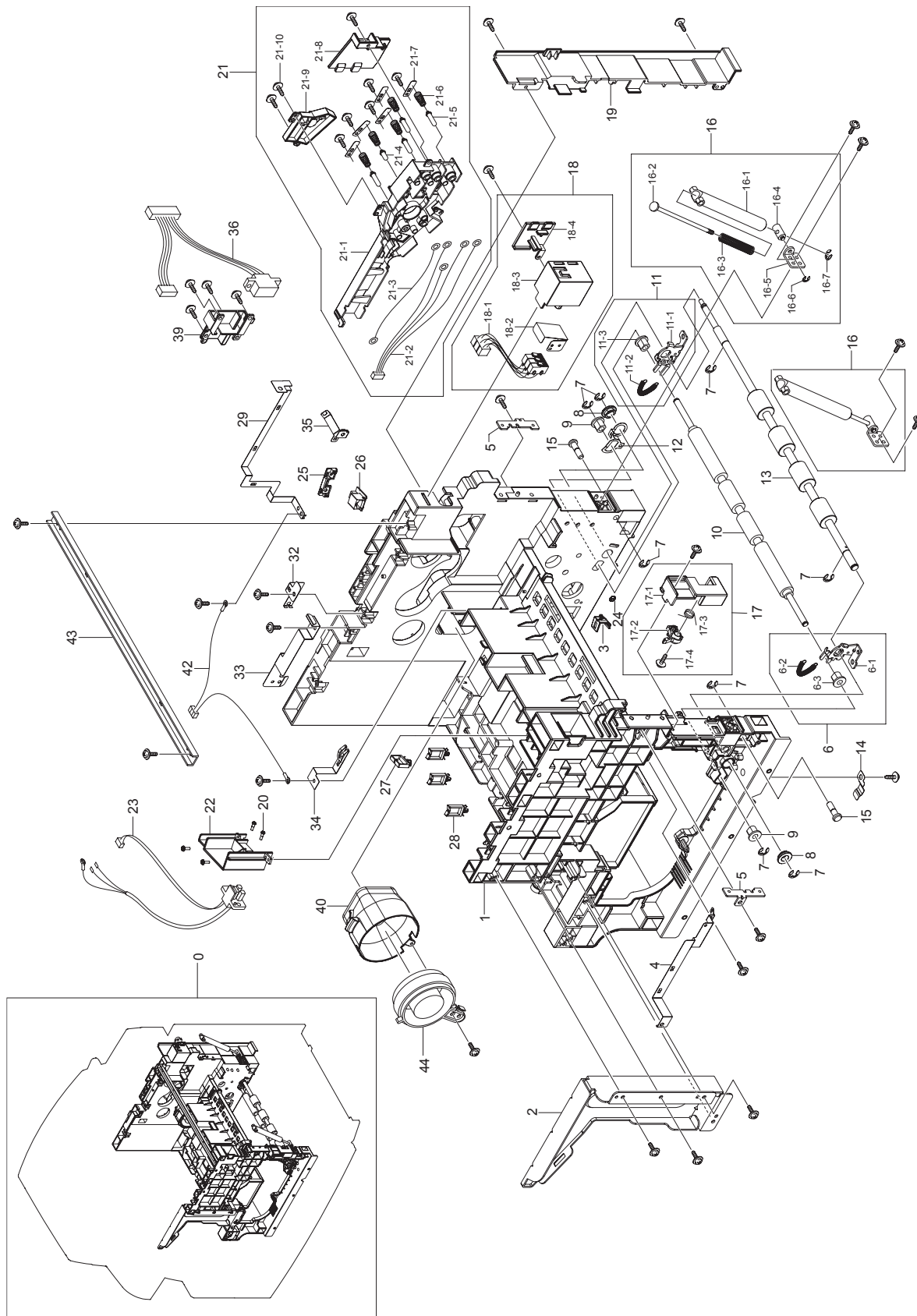


## Cover Unit Parts List

SA : SERVICE AVAILABLE, SNA : SERVICE not AVAILABLE

Drawer#	SEC_Code	Description	QT'y	Service	Grade	Remark
0	JC95-01053A	COVER	1	SNA	A	
1	JC97-02258B	MEA UNIT-COVER TOP	1	SA	A	
1-1	JC63-00736B	COVER-EXIT TOP	1	SNA	A	
1-2	JC63-00739B	COVER-GUIDE STACKER	1	SNA	D	
1-3	6107-000117	SPRING-CS	2	SA	A	
1-4	JC63-00737B	COVER-EXIT ST LOWER	1	SNA	D	
1-5	6107-001264	SPRING-TS	1	SNA	A	
1-6	JC63-00738B	COVER-EXIT STACKER	1	SNA	D	
2	JC95-01052A	COVER-FRONT	1	SA	D	
2-1	JC63-00733F	COVER-FRONT INNER	1	SNA	D	
2-2	JC61-00961A	MAGNET-CATCH DELL	1	SNA	A	
2-3	JC63-00735B	COVER-FRONT	1	SNA	D	
2-4	JC61-00962A	PLATE-MAGNET CATCH	1	SNA	A	
2-5	6044-000159	RING-C	1	SA	B	
2-6	JC68-01624B	LABEL-INSTALLATION	1	SNA	D	
2-7	JC68-01623B	LABEL-INSTALLATION	1	SNA	D	
2-8	JC68-01694B	LABEL-INSTALLATION	1	SNA	D	
2-9	6003-000196	SCREW-TATITE	1	SA	B	
2-10	6003-001001	SCREW-TATITE	1	SNA	B	
2-11	JC61-02561A	PLATE-FRONT INNER	1	SNA	D	
3	JC97-02274B	MEA UNIT-COVER UPPER	1	SA	A	
3-1	JC63-00734B	COVER-EXIT UPPER	1	SNA	D	
3-2	JC66-01019A	ROLLER-M EXIT DP IDLE	3	SA	D	
3-3	JC70-00064A	IPR-PIN ROLLER EXIT	3	SNA	A	
3-4	JC61-01353A	BRACKET-P-CHANNEL	1	SNA	D	
3-5	JC63-00740A	GROUND-P-OPE	1	SNA	D	
4	JC63-00728B	COVER-EXIT BRACKET	1	SA	A	
5	JC63-00727B	COVER-EXIT BOTTOM	1	SA	A	
6	JC67-00164B	CAP-HOLE SCREW	2	SNA	A	
7	JC63-00731B	COVER-M_EXIT REAR	1	SA	A	
8	JC63-01588A	COVER-PANEL MFP	1	SA	D	
9	JC63-01242A	SHEET-PANEL	1	SA	D	
10	JC97-03123A	MEA-COVER REAR	1	SA	A	
10-1	JC63-01639A	COVER-MAIN REAR	1	SNA	D	
10-2	JC63-00730B	COVER-REAR DUMMY	1	SNA	D	
10-3	JC72-01556A	SPONGE-REAR FAN	1	SA	D	

### 5.3 Main Frame



## Main Frame Parts List

SA : SERVICE AVAILABLE, SNA : SERVICE not AVAILABLE

Drawer#	SEC_Code	Description	QT'y	Service	Grade	Remark
0	JC96-04898A	ELA HOU-FRAME MAIN	1	SNA	A	
1	JC61-01315A	FRAME-M_MAIN	1	SNA	D	
2	JC61-01360A	BRACKET-P-SUP SCAN F	1	SNA	D	
3	JC61-02710A	HOLDER-STAR WHEEL	1	SA	B	
4	JC63-00802A	GROUND-P-OPC CONTACT	1	SNA	D	
5	JC61-01285A	HOLDER-P-FUSER	2	SNA	D	
6	JC97-02262A	MEA UNIT-REGI F	1	SA	A	
6-1	JC61-01355A	BRACKET-P-REGI F	1	SNA	D	
6-2	6107-001155	SPRING-ES	1	SA	A	
6-3	JC61-00884A	BUSH-6_D(L)	1	SNA	D	
7	6044-000231	RING-E	1	SA	A	
8	JC61-00426A	BUSH-8/5	2	SA	D	
9	JC61-00423A	BUSH-6_D	2	SA	B	
10	JC66-01028A	ROLLER-IDLE REGI	1	SA	D	
11	JC97-02261A	MEA UNIT-REGI R	1	SA	A	
11-1	JC61-01356A	BRACKET-P-REGI R	1	SNA	D	
11-2	6107-001155	SPRING-ES	1	SA	A	
11-3	JC61-00884A	BUSH-6_D(L)	1	SNA	D	
12	JC63-00804A	GROUND-P-FEED	1	SNA	D	
13	JC66-01029A	ROLLER-DR REGI	1	SA	A	
14	JC63-00803A	GROUND-P-REGI	1	SNA	D	
15	JC66-00960A	SHAFT-DUP GUIDE	2	SNA	A	
16	JC97-02301A	MEA UNIT-DAMPER,L	2	SA	A	
16-1	JC61-00194A	CASE-DAMPER DUP	1	SNA	D	
16-2	JC61-00196A	SHAFT-DAMPER DUP	1	SNA	D	
16-3	6107-001254	SPRING-CS	1	SNA	D	
16-4	JC61-00197A	HINGE-SHAFT DUP	1	SNA	D	
16-5	JC61-00310A	BRACKET-L DAMPER DUP	1	SNA	D	
16-6	6044-000159	RING-C	1	SA	B	
16-7	6044-000121	RING-E	1	SA	D	
17	JC97-02263A	MEA UNIT-F DR	1	SA	A	
17-1	JC63-00741A	COVER-M_FRONT DUMMY	1	SNA	D	
17-2	JC61-01358A	BRACKET-M_SIDE OPEN	1	SNA	D	
17-3	JC61-00486A	SPRING ETC-TORSION	1	SA	D	
17-4	6003-000196	SCREW-TAPTITE	1	SA	B	
18	JC96-03534A	ELA HOU-CVR OPN	1	SA	A	
18-1	JC39-00541A	HARNESS-COVER_SW	1	SA	D	
18-2	JC63-00753A	GUARD-P_SW	1	SNA	A	
18-3	JC61-01354A	HOUSING-M_SIDE DR SNR	1	SNA	A	

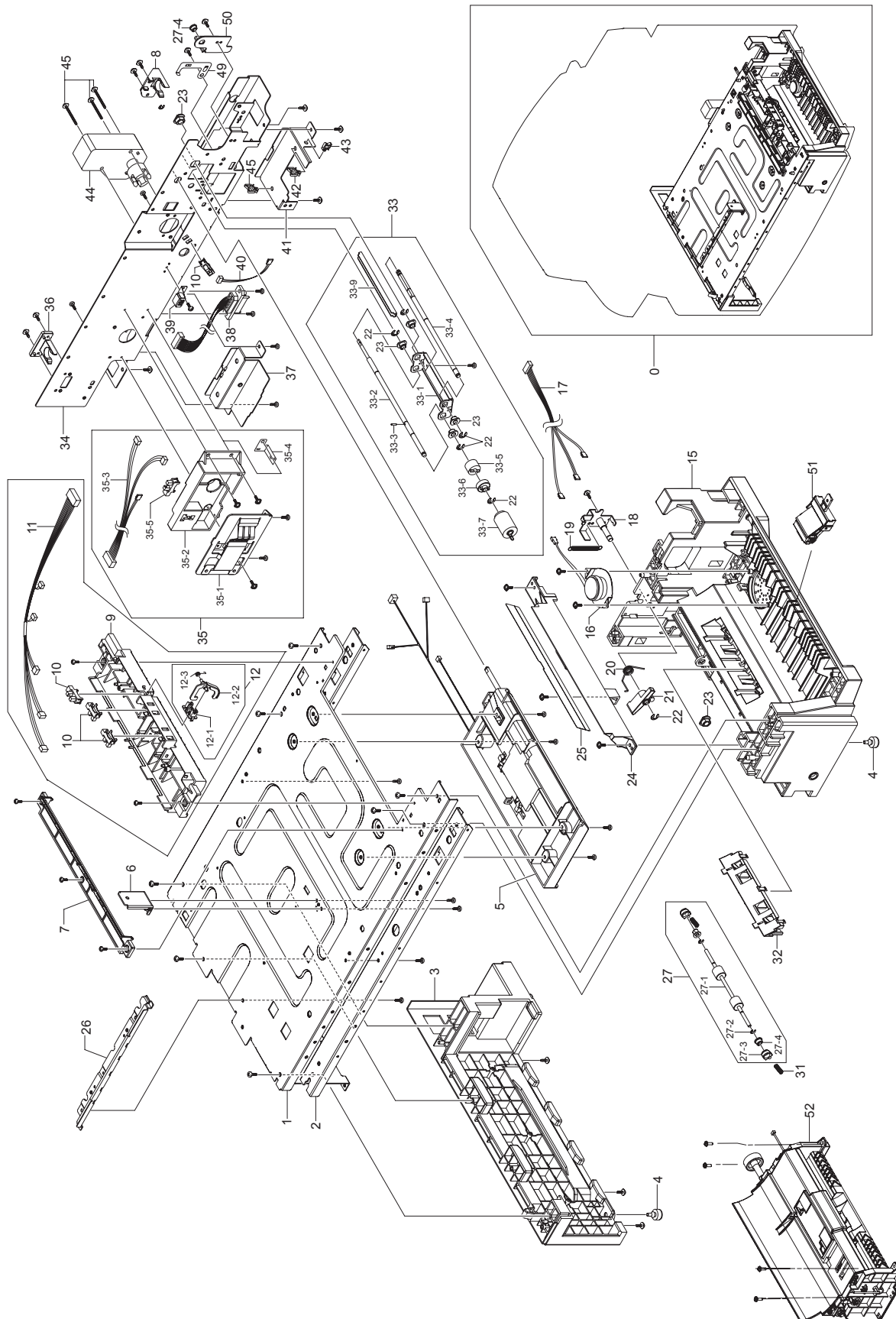
## Main Frame Parts List

SA : SERVICE AVAILABLE, SNA : SERVICE not AVAILABLE

Drawer#	SEC_Code	Description	QT'y	Service	Grade	Remark
18-4	JC63-00760A	COVER-M_SIDE DOOR SNR	1	SNA	D	
19	JC61-01316A	FRAME-M_COVER REAR	1	SNA	D	
20	6009-001396	SCREW-SPECIAL	2	SNA	D	
21	JC96-03535A	ELA HOU-TERMINAL	1	SA	A	
21-1	JC61-01357A	HOUSING-M_TERMINAL	1	SNA	D	
21-2	JC39-00544A	CBF HARNESS-HVPS(8P)	1	SA	D	
21-3	JC96-04056A	ELA HOU-VARISTOR	1	SA	A	
21-4	JC70-40912A	ICT-SHAFT HV LARGE	1	SA	B	
21-5	JC66-00979A	SHAFT-TERMINAL_16L	4	SNA	A	
21-6	JC61-70930A	SPRING ETC-HV SMALL	5	SA	A	
21-7	JC61-01330A	PLATE-P-TERMIANL_HV	5	SNA	A	
21-8	JC63-00757A	COVER-M_TERMINAL DUP	1	SNA	D	
21-9	JC63-00742A	COVER-M_TERMINAL	1	SNA	D	
21-10	6003-000196	SCREW-TAPTITE	1	SA	B	
22	JC61-02257A	HOLDER-FUSER LAMP	1	SNA	D	
23	JC39-00832A	HARNESS-FUSER_FR	1	SNA	D	
24	JB61-00439A	PLATE-STARWHEEL	1	SNA	A	
25	JC61-02422A	HOLDER-TONER CRUM	1	SNA	D	
26	JC92-01963A	PBA-TCRUM_IF		SA	A	
27	6502-001101	CABLE CLAMP	1	SNA	A	
28	6502-001093	CABLE CLAMP	1	SA	A	
29	JC63-00797A	GROUND-P-P FUSER	1	SNA	D	
32	JC63-00798A	GROUND-P-EXIT	1	SNA	D	
33	JC63-00800A	GROUND-P-OPE REAR	1	SNA	D	
34	JC63-00796A	GROUND-P-H FUSER	1	SNA	D	
35	JC63-00799A	GROUND-P-MAIN DRIVE L	1	SNA	D	
36	JC39-00784A	HARNESS-DEVE_RF	1	SNA	D	
39	JC61-01287A	HOLDER-M_DEVE CONN	1	SNA	D	
40	JC67-00127A	DUCT-M_FAN LSU	1	SA	B	
42	JC39-00545A	CBF HARNESS-HVPS(3P)	1	SA	D	
43	JC61-01353A	BRACKET-P-CHANNEL	1	SNA	D	
44	JC31-00099A	FAN	1	SA	D	



## 5.4 Base Frame



## Base Frame Parts List

SA : SERVICE AVAILABLE, SNA : SERVICE not AVAILABLE

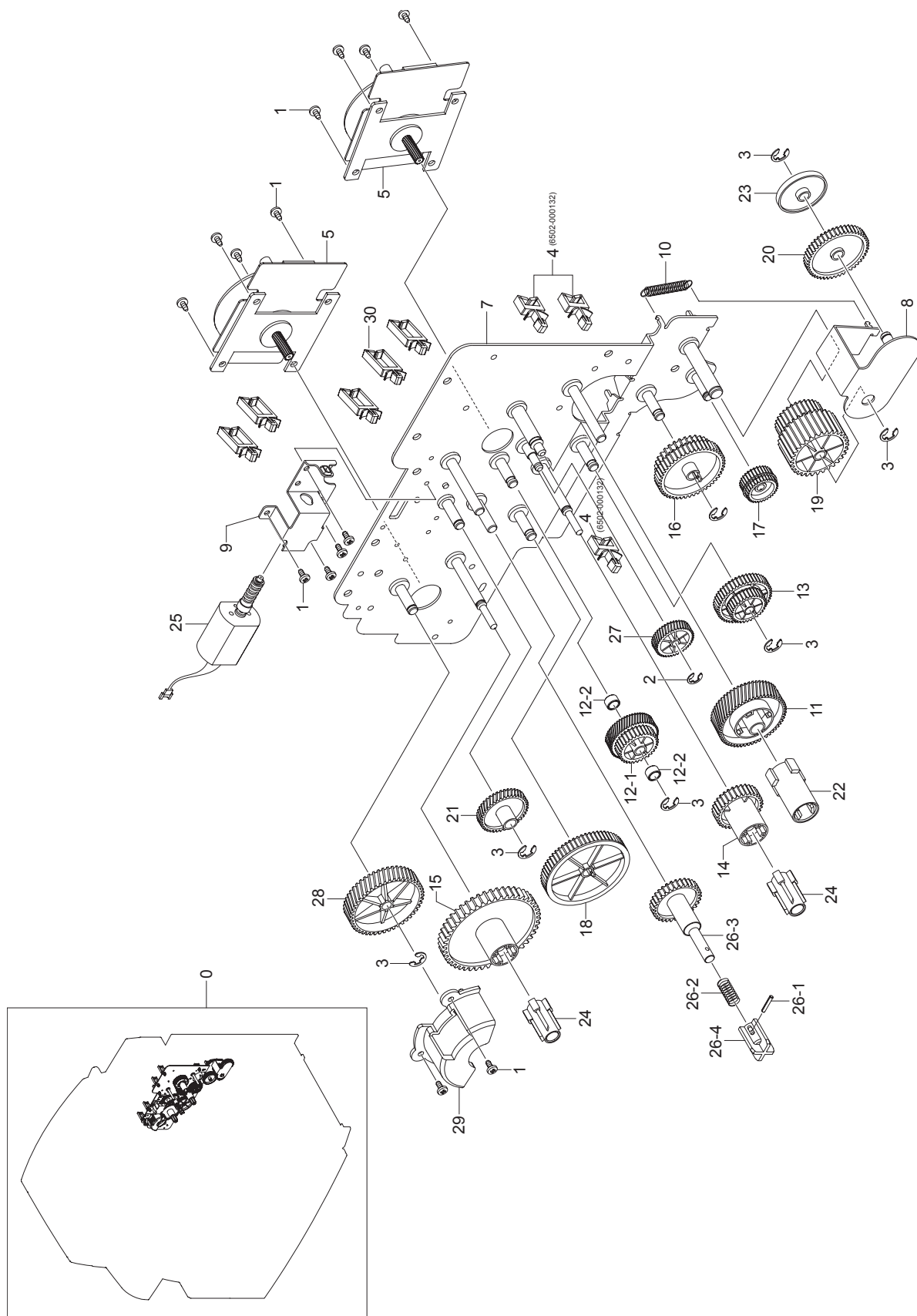
Drawer#	SEC_Code	Description	QT'y	Service	Grade	Remark
0	JC96-04903A	ELA HOU-BASE FRAME	1	SA	A	
1	JC61-01337A	BASE-P-PLATE	1	SNA	A	
2	JC61-01312A	PLATE-P-BEAM BASE	2	SNA	D	
3	JC61-01342B	HOUSING-BASE LEFT	1	SNA	A	
4	JC61-40001A	FOOT-ML80	1	SA	A	
5	JC96-05046A	ELA HOU-PICK UP	1	SA	A	
6	JC61-01347A	BRACKET-P-JOINT BASE	1	SNA	D	
7	JC61-01296A	GUIDE-M_FEED UPPER	1	SNA	D	
8	JC61-01344A	HOLDER-M_CST R	1	SNA	D	
9	JC61-01294A	GUIDE-M_FEED DP	1	SNA	D	
10	0604-001095	PHOTO-INTERRUPTER	3	SA	A	
11	JC39-00790A	CBF HARNESS-REGI	1	SNA	D	
12	JC97-02704A	MEA UNIT-ACT READY	1	SNA	A	
12-1	JC61-01422A	HOLD-M ACT READY	1	SA	A	
12-2	JC61-01435A	LEG-M_ACT READY DP	1	SA	A	
12-3	JB61-00076A	SPRING ETC-TORSION DOC (CC2-F)	1	SA	B	
15	JC61-01341B	HOUSING-BASE RIGHT	1	SA	A	
16	3001-002207	SPEAKER	1	SA	D	
17	JC39-00792A	HARNESS-MP_SPK	1	SNA	D	
18	JC61-01423A	BRACKET-P-ARM FRIC	1	SNA	D	
19	6107-001258	SPRING-ES	1	SA	A	
20	6107-001263	SPRING-TS	1	SNA	D	
21	JC66-00959A	LEVER-M_ARM FRICTION	1	SA	D	
22	6044-000125	RING-E	6	SA	A	
23	JC61-00423A	BUSH-6_D	4	SA	B	
24	JC61-01313A	GUIDE-M_PICKUP BASE	1	SNA	D	
25	JC63-00795A	SHEET-GUIDE FILM BASE	1	SA	A	
26	JC61-01314A	GUIDE-P-SHIELD SMPS	1	SNA	D	
27	JC97-02705A	MEA UNIT-FEED IDLE MP	1	SA	A	
27-1	JC66-01027A	ROLLER-RUBBER IDLE	1	SNA	D	
27-2	JC61-00046A	SPRING ETC-TR R HAWK	2	SNA	D	
27-3	JC61-01434A	HOLDER-M_BUSHING IDLE	2	SNA	D	
27-4	JC61-00424A	BUSH-4	2	SA	B	
31	6107-001258	SPRING-ES	1	SA	A	
32	JC61-01297A	GUIDE-M_FEED IDLE MP	1	SA	A	
33	JC97-02290A	MEA UNIT-RETARD	1	SA	A	
33-1	JC61-01348A	BRACKET-P-RETARD	1	SNA	D	
33-2	JC66-00937A	SHAFT-RETARD S	1	SA	A	
33-3	JC66-00939A	SHAFT-LOCK	1	SA	A	

## Base Frame Parts List

SA : SERVICE AVAILABLE, SNA : SERVICE not AVAILABLE

Drawer#	SEC_Code	Description	QT'y	Service	Grade	Remark
33-4	JC66-00938A	SHAFT-RETARD M	1	SNA	D	
33-5	JC67-00126A	COUPLER-TORQUELIMITER	1	SA	B	
33-6	JC66-00976A	JOINT-M_RETARD	1	SA	D	
33-7	JC97-02259A	MEA UNIT-ROLLER PU	1	SA	A	
33-8	JC61-01349A	BRACKET-P-BAR RETARD	1	SNA	D	
34	JC61-01338A	BASE-P-PLATE REAR	1	SNA	A	
35	JC96-04906A	ELA HOU-SIZE SENSOR	1	SA	A	
35-1	JC96-02127B	ELA HOU-CST SENSOR HAWK16	1	SA	A	
35-2	JC61-01343A	HOUSING-M_SIZE SENSOR	1	SA	D	
35-3	JC39-00795A	HARNESSTRAY_SIZE	1	SNA	D	
35-4	JC63-00794A	GROUND-P-PAPER SIZE	1	SA	D	
36	JC61-01345A	HOLDER-M_CST L	1	SNA	D	
37	JC61-01340A	BRACKET-P_HANDLE L	1	SNA	D	
38	JC39-00780A	HARNESSTRAY_MAIN	1	SNA	D	
39	JC70-11028A	IPR-GROUND TOP	1	SA	D	
40	JC39-00793A	CBF HARNESSTRAY_NEAR SEN	1	SNA	A	
41	JC61-01436A	BRACKET-P_HANDLE R	1	SNA	D	
42	6502-000132	CABLE CLAMP	1	SA	D	
43	6502-001101	CABLE CLAMP	1	SNA	A	
44	JC31-00045A	MOTOR GEARED-P LIFT	1	SA	A	
49	JC63-00833A	GROUND-P-SHAFT RETARD	1	SA	D	
50	JC61-02262A	HOLDER-P-MP FEED	1	SNA	D	
51	JC97-02260A	MEA UNIT-HOLDER PAD	1	SA	A	
52	JC96-04905A	ELA HOU-MP	1	SA	A	

## 5.5 Main Drive

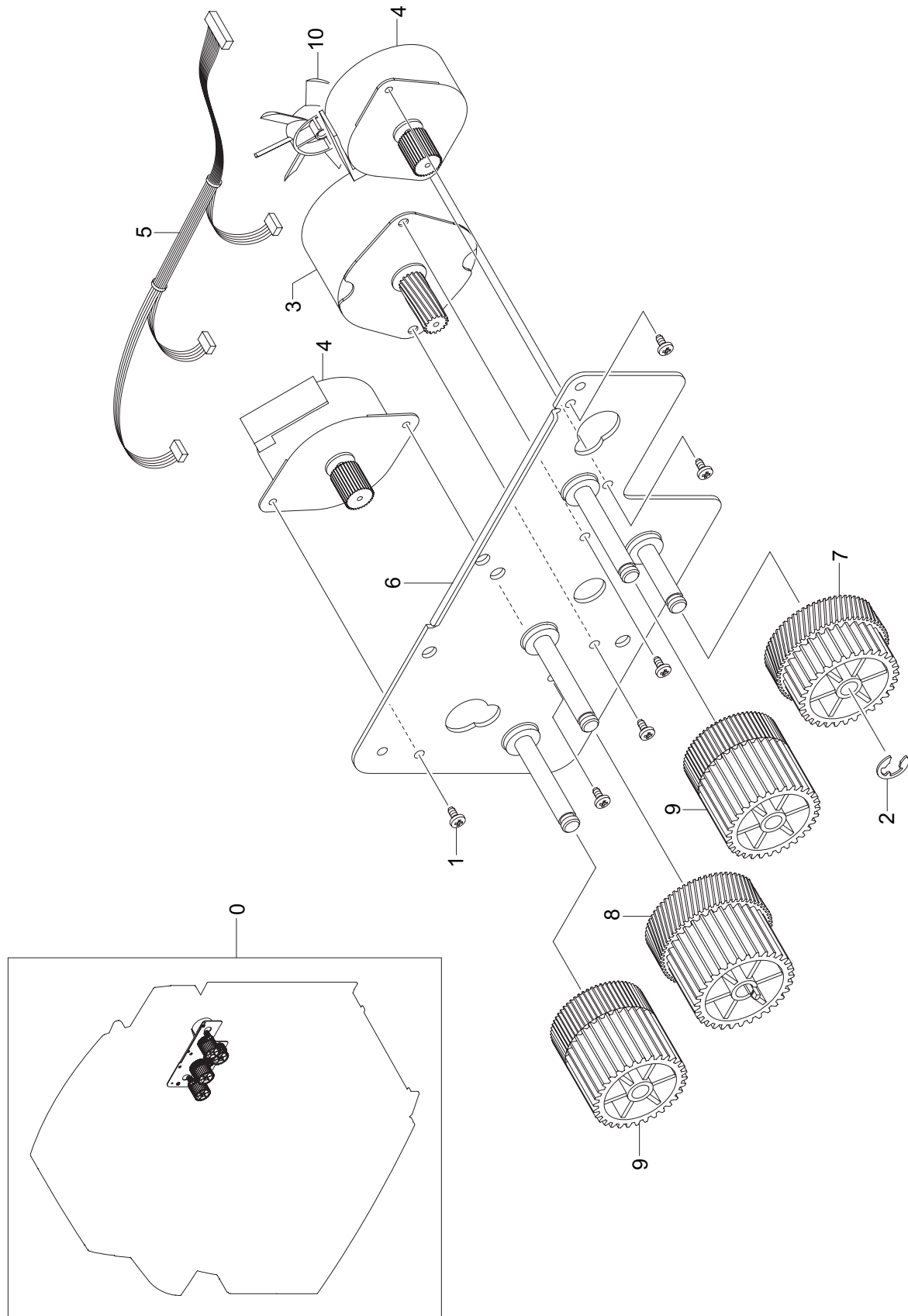


## Main Drive Parts List

SA : SERVICE AVAILABLE, SNA : SERVICE not AVAILABLE

Drawer#	SEC_Code	Description	QT'y	Service	Grade	Remark
0	JC96-04891A	ELA HOU-DRIVE MAIN	1	SA	A	
1	6003-000269	SCREW-TAPTITE	14	SA	B	
2	6044-000159	RING-C	1	SA	B	
3	6044-000231	RING-E	7	SA	A	
4	6502-000132	CABLE CLAMP	3	SA	D	
5	JC31-00090A	MOTOR BLDC	2	SA	A	
6	JC39-00777A	HARNESS-MAIN_MTR	1	SNA	D	
7	JC61-02245A	BRACKET-MAIN	1	SNA	D	
8	JC61-01369A	BRACKET-P-DPX SWING	1	SNA	A	
9	JC61-01370A	BRACKET-P-TONER MOTOR	1	SNA	A	
10	JC61-70950A	SPRING ETC-EXTENSION	1	SA	A	
11	JC66-00982A	GEAR-M_OPC BASE	1	SA	D	
12	JC97-03120A	MEA-GEAR REGI IDLE A	1	SNA	D	
12-1	JC66-01681A	GEAR-REGI HELICAL	1	SA	D	
12-2	JC61-01428A	BUSH-DRY	2	SA	A	
13	JC66-01677A	GEAR-REGI IDLE C	1	SA	D	
14	JC66-00985A	GEAR-M_MIXER	1	SA	D	
15	JC66-00986A	GEAR-M_AGITATOR	1	SA	D	
16	JC66-01682A	GEAR-PICKUP HELICAL	1	SA	D	
17	JC66-01680A	GEAR-MP HELICAL	1	SA	D	
18	JC66-00989A	GEAR-M_AGI IDLE	1	SA	D	
19	JC66-00990A	GEAR-M_MP IDLE B	1	SA	D	
20	JC66-00991A	GEAR-M_DUPLEX IDLE	1	SA	D	
21	JC66-00993A	GEAR-M_SUPPLY IDLE	1	SA	D	
22	JC67-00115A	OTHER MECHA-M CPL OPC	1	SA	D	
23	JC67-00116A	OTHER MECHA-M COLLAR DP	1	SNA	D	
24	JC72-00743A	PMO-DEV/COUPLING	2	SA	D	
25	JC31-00078A	MOTOR DC	1	SA	A	
26	JC97-02681A	MEA UNIT-GEAR SUPPLY	1	SA	A	
26-1	6043-001028	PIN-SPRING	1	SA	D	
26-2	JC61-00396A	SPRING ETC-COIL CONTAINER	1	SA	D	
26-3	JC66-00992A	GEAR-M_SUPPLY	1	SNA	D	
26-4	JC72-00621A	JOINT-COUPLING_CONTAINER	1	SA	D	
27	JC66-01678A	GEAR-MIDDLE	1	SA	D	
28	JC66-01679A	GEAR-AGI IDLE B	1	SA	D	
29	JC67-00276A	CAP-GEAR	1	SNA	D	
30	6502-001093	CABLE CLAMP	5	SA	A	

## 5.6 Fuser Drive

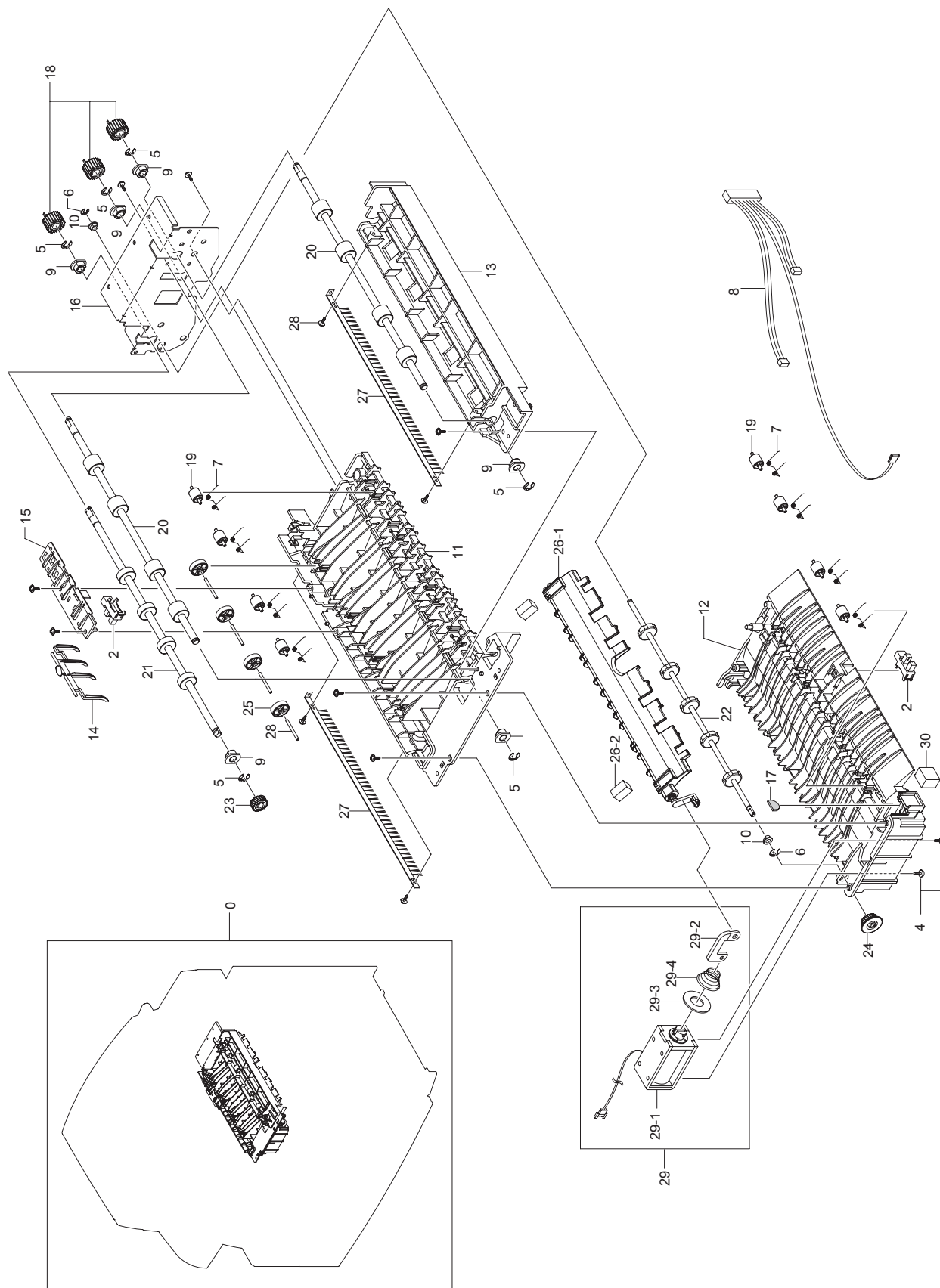


## Fuser Drive Parts List

SA : SERVICE AVAILABLE, SNA : SERVICE not AVAILABLE

Drawer#	SEC_Code	Description	QT'y	Service	Grade	Remark
0	JC96-04893A	ELA HOU-DRIVE FUSER	1	SA	A	
1	6003-000269	SCREW-TAPTITE;BH,+,-,S,M3,L6,ZPC(YEL	6	SA	B	
2	6044-000231	RING-E;ID5.0,OD11.0,T0.6,PASS,STS304	1	SA	A	
3	JC31-00100A	MOTOR STEP	1	SNA	D	
4	JC31-00077A	MOTOR STEP	2	SNA	A	
5	JC39-00789A	HARNESS-STP_MTR	1	SA	D	
6	JC61-01371A	BRACKET-P-FUSER EXIT;SCX-6345N/XRX,S	1	SNA	D	
7	JC66-01986A	GEAR-FUSER IDLE A	1	SNA	D	
8	JC66-01988A	GEAR-EXIT IDLE A	1	SNA	D	
9	JC66-01987A	GEAR-EXIT IDLE C	2	SNA	D	
10	JC72-00825A	PMO-IMPELLER_DRV;ML-6200,NYLON66,BLK	1	SA	A	

## 5.7 Exit Ass'y



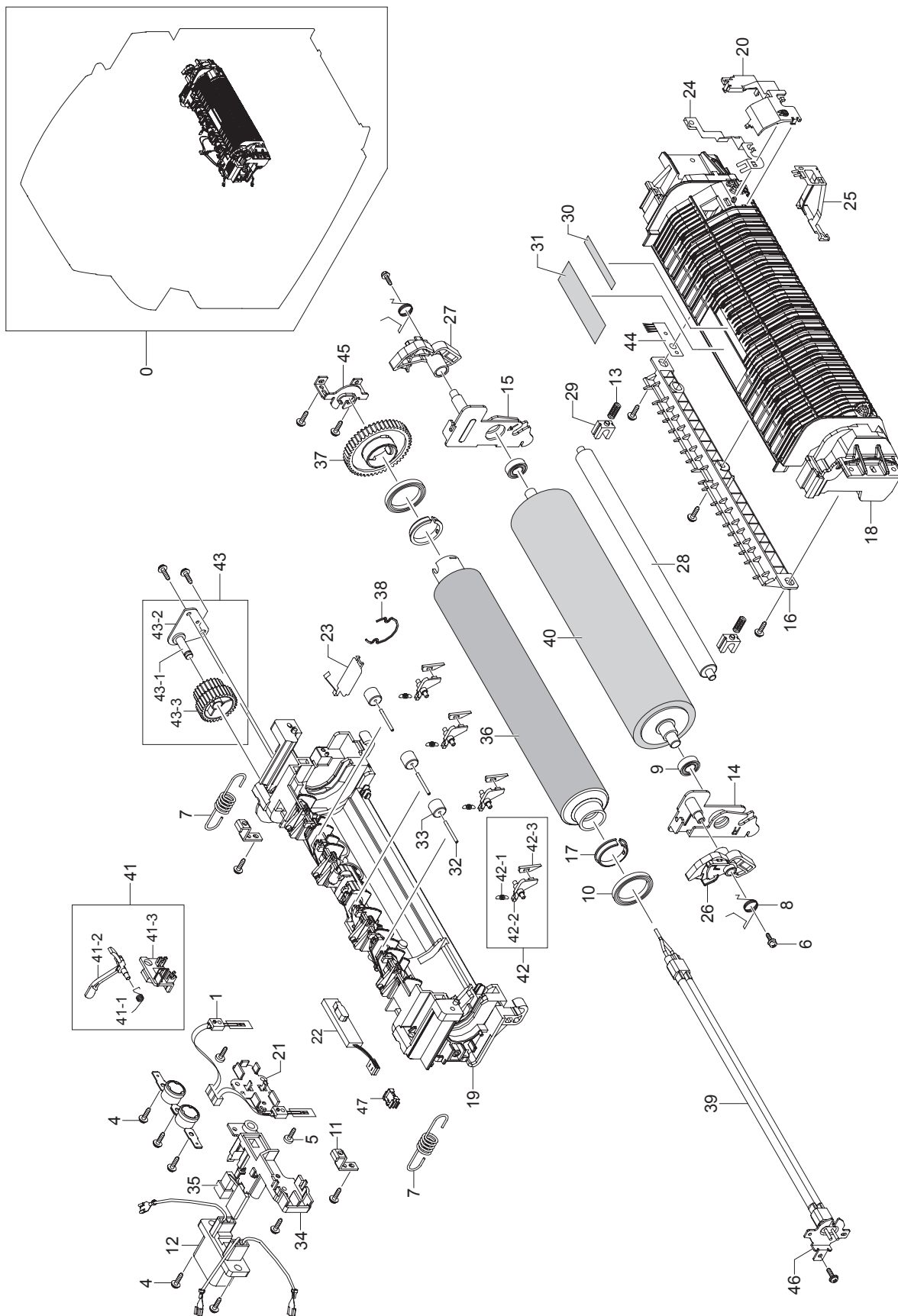


## Exit Ass'y Parts List

SA : SERVICE AVAILABLE, SNA : SERVICE not AVAILABLE

Drawer#	SEC_Code	Description	QT'y	Service	Grade	Remark
0	JC96-04892A	ELA HOU-EXIT	1	SA	A	
2	0604-001095	PHOTO-INTERRUPTER	2	SA	A	
3	6003-000196	SCREW-TAPTITE	1	SA	B	
4	6003-000269	SCREW-TAPTITE	1	SA	B	
5	6044-000125	RING-E	6	SA	A	
6	6044-000159	RING-C	1	SA	B	
7	6107-001540	SPRING-TS	8	SNA	A	
8	JC39-00788A	HARNESS-EXIT	1	SNA	D	
9	JC61-00423A	BUSH-6_D	6	SA	B	
10	JC61-00424A	BUSH-4	2	SA	B	
11	JC61-01301A	GUIDE-M_EXIT UPPER	1	SNA	D	
12	JC61-01302A	GUIDE-M_EXIT LOWER	1	SNA	D	
13	JC61-01303A	GUIDE-M_EXIT DUPLEX	1	SNA	D	
14	JC61-01391A	LEG-M LIMIT STACKING	1	SA	A	
15	JC61-01392A	HOLDER-M_ACT OUTBIN	1	SNA	D	
16	JC61-01393A	BRACKET-P-EXIT	1	SNA	A	
17	JC63-00821A	ABSORBER-DAMPER S	1	SNA	D	
18	JC66-01012A	GEAR-M_EXIT	3	SA	D	
19	JC66-01013A	ROLLER-M IDLE JF	8	SA	A	
20	JC66-01014A	ROLLER-EXIT DRV	1	SNA	A	
21	JC66-01015A	ROLLER-EXIT UPPER	1	SNA	D	
22	JC66-01016A	ROLLER-EXIT_LOWER	1	SNA	A	
23	JC66-01017A	GEAR-M_EXIT UPPER	1	SA	D	
24	JC66-01018A	GEAR-M_EXIT LOWER	1	SA	D	
25	JC66-01019A	ROLLER-M EXIT DP IDLE	4	SA	D	
26	JC67-00125A	BRUSH-EXIT	1	SA	D	
26-1	JC70-00064A	IPR-PIN ROLLER EXIT	1	SNA	A	
26-2	JC72-01416A	SPONGE-DAMPER SOL	2	SA	D	
27	JC96-04899A	ELA HOU-SOLENOID DP	1	SA	A	
28	JC33-00029A	SOLENOID-DUPLEX	1	SNA	A	
29	JC61-01332A	GUIDE RAIL-M LINK GATE	1	SNA	D	
29-1	JC61-70915A	SPRING ETC-SOLENOID DP	1	SA	A	
29-2	JC63-00820A	ABSORBER-DAMPER L	1	SNA	D	
29-3	JC97-03208A	MEA-GATE SPONGE	1	SNA	A	
29-4	JC67-00122A	OTHER MECHA-M GATE DP	1	SA	D	
30	JC72-01415A	SPONGE-DAMPER GATE	1	SA	D	

## 5.8 Fuser Unit



## Fuser Unit Parts List

SA : SERVICE AVAILABLE, SNA : SERVICE not AVAILABLE

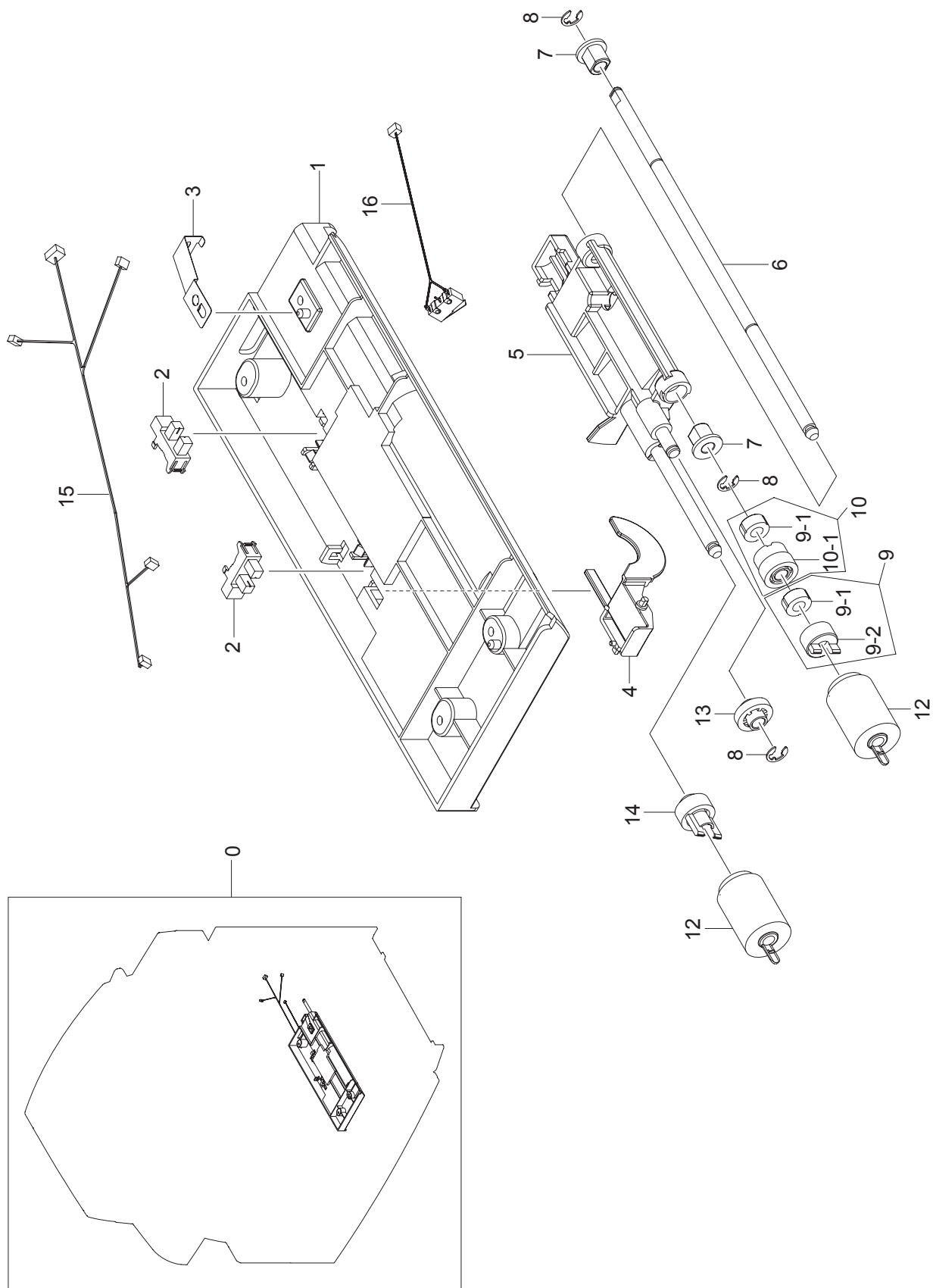
Drawer#	SEC_Code	Description	QT'y	Service	Grade	Remark
0	JC96-04991A	ELA HOU-FUSER	1	SA	A	110V
0	JC96-04991B	ELA HOU-FUSER	1	SNA	A	220V
1	1404-001355	THERMISTOR-NTC ASSY	1	SA	A	
2	4712-001028	THERMOSTAT	1	SA	A	
3	6002-000440	SCREW-TAPPING	3	SA	B	
4	6003-000196	SCREW-TAPTITE	20	SA	B	
5	6003-001086	SCREW-TAPTITE	2	SA	D	
6	6006-001193	SCREW-MACHINE	2	SA	D	
7	6107-001385	SPRING-ES	2	SNA	D	
8	6107-001260	SPRING-TS	2	SNA	D	
9	6601-001341	BEARING-BALL	2	SA	A	
10	6601-001479	BEARING-BALL	2	SA	A	
11	JC61-02264A	BRACKET-SPR SUPPORT	2	SNA	D	
12	JC39-00831A	HARNESS-FUSER_FU	1	SNA	D	
13	JC61-00013A	SPRING ETC-PAD	2	SNA	D	
14	JC61-02277A	BRACKET-PR R	1	SNA	D	
15	JC61-02266A	BRACKET-PR L	1	SNA	D	
16	JC61-01419A	GUIDE-M_INPUT JF	1	SNA	D	
17	JC61-01958A	BUSH-HR	2	SA	A	
18	JC63-01598A	COVER-LOWER FUSER	1	SNA	D	
19	JC63-01604A	COVER-UPPER FUSER	1	SNA	D	
20	JC63-00761A	COVER-M_GROUND	1	SNA	D	
21	JC63-01587A	COVER-NC THERMISTOR	1	SNA	D	
22	1404-001453	THERMISTOR-NTC ASSY	1	SA	D	
23	JC63-01642A	GROUND-HR	1	SNA	D	
24	JC63-00819A	GROUND-P-PR	1	SNA	D	
25	JC63-01640A	GROUND-PR2	1	SNA	D	
26	JC66-01687A	LEVER-JAM R	1	SA	D	
27	JC66-01859A	LEVER-JAM L	1	SA	D	
28	JC66-01870A	SHAFT-CLEANING_PR	1	SNA	D	
29	JC66-10205A	BEARING-PRESSURE R	2	SA	D	
30	JC68-01134A	LABEL(P)-BLANK(FUSER)	1	SNA	A	
31	JC68-01581B	LABEL-CAUTION	1	SNA	A	
32	JC70-00064A	IPR-PIN ROLLER EXIT	3	SNA	A	
33	JC72-20902A	PEX-ROLLER F/UP(2)	3	SA	A	
34	JC63-01591A	COVER-TERMINAL LAMP	1	SNA	D	
35	JC92-02008A	PBA-FUSER_CRUM	1	SNA	D	
36	JC66-01871A	ROLLER-HEAT	1	SA	D	
37	JC66-01666A	GEAR-FUSER	1	SA	D	

## Fuser Unit Parts List

SA : SERVICE AVAILABLE, SNA : SERVICE not AVAILABLE

Drawer#	SEC_Code	Description	QT'y	Service	Grade	Remark
38	JC61-02551A	SPRING ETC-LOCK	1	SNA	A	
39	4713-001235/6	LAMP-HALOGEN (220V/110V)	1	SA	D	
40	JC66-01825A	ROLLER-PRESSURE	1	SA	D	
41	JC97-02288A	MEA UNIT-ACTUATOR	1	SA	A	
41-1	JC61-00019A	SPRING ETC-ACT, FEED	1	SA	D	
41-2	JC61-01384A	LEG-M ACTUATOR EXIT	1	SNA	D	
41-3	JC61-01385A	HOLDER-ACTUATOR	1	SNA	D	
42	JC97-02294A	MEA UNIT-CLAW	4	SA	A	
42-1	6107-001291	SPRING-ES	1	SA	A	
42-2	JC61-01383A	HOLDER-M_CLAW	1	SNA	D	
42-3	JC67-00121A	OTHER MECHA-FINGER	1	SNA	D	
43	JC97-02680A	MEA-BRACKET FUSER	1	SA	A	
43-1	0205-001003	GREASE-BEARING	0.001KG	SNA	A	
43-2	JC61-01388A	BRACKET-P-FUSER GEAR	1	SNA	D	
43-3	JC66-01011A	GEAR-M DRV Z2228	1	SA	D	
44	JC67-00317A	BRUSH-ANTISTATIC_FUSER	1	SNA	A	
45	JC61-02281A	BRACKET-LAMP L	1	SNA	D	
46	JC61-02271A	BRACKET-LAMP R	1	SNA	D	
47	JC61-02657A	HOLDER THERMISTOR	1	SA	B	

## 5.9 Pick Up Ass'y

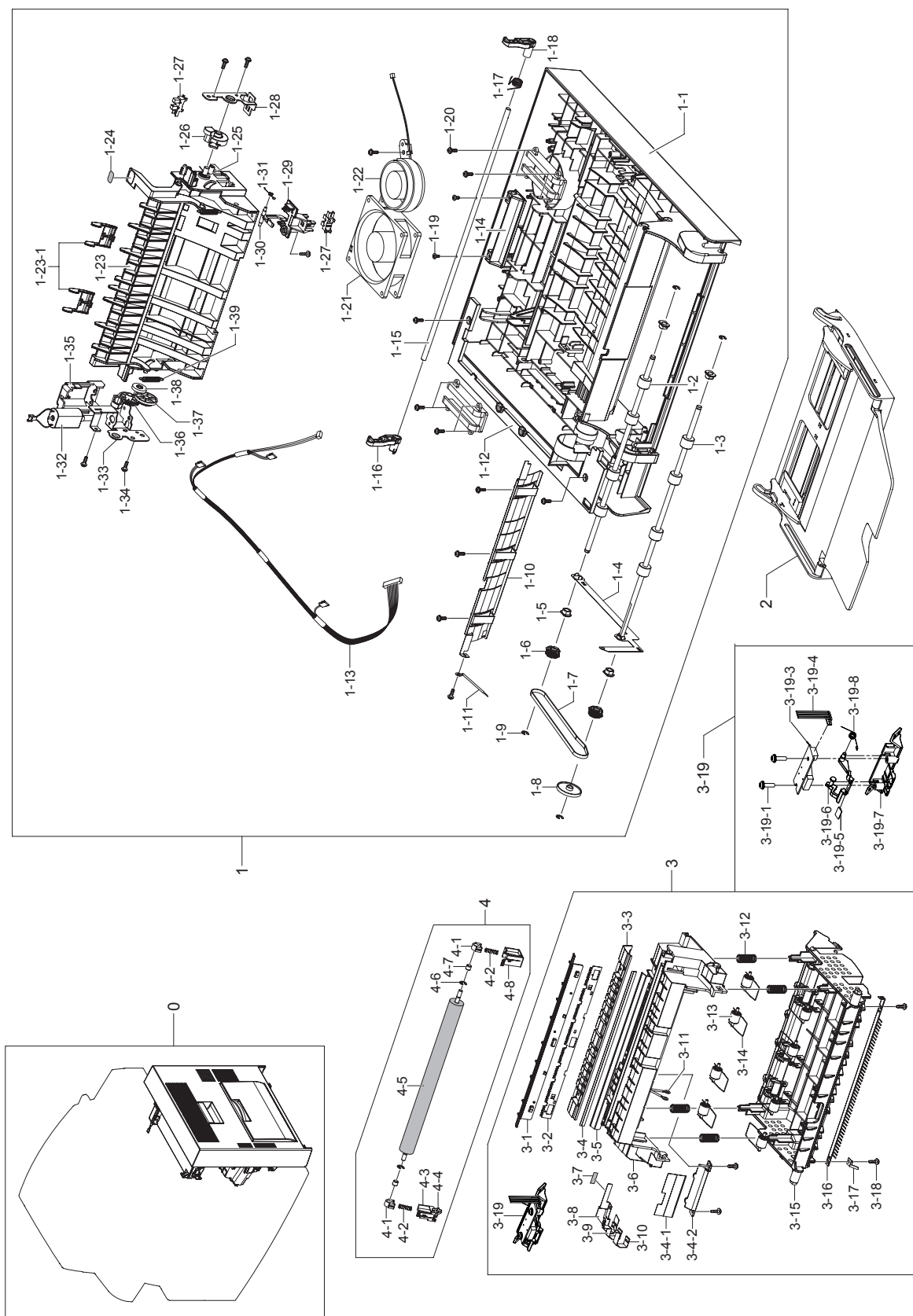


## Pick Up Ass'y Parts List

SA : SERVICE AVAILABLE, SNA : SERVICE not AVAILABLE

Drawer#	SEC_Code	Description	QT'y	Service	Grade	Remark
0	JC96-05046A	ELA HOU-PICK UP	1	SA	A	
1	JC61-01298A	FRAME-M_BASE PICK UP	1	SNA	D	
2	0604-001095	PHOTO-INTERRUPTER	2	SA	A	
3	JC63-00743A	GROUND-P-SHAFT PU	1	SNA	D	
4	JC61-01350A	LEG-M_ACT NO PAPER	1	SNA	A	
5	JC61-01299A	GUIDE-M_UPPER PICK UP	1	SNA	A	
6	JC66-00942A	SHAFT-PICK UP	1	SNA	D	
7	JC61-00884A	BUSH-6_D(L)	2	SNA	D	
8	6044-000125	RING-E	3	SA	A	
9	JC97-02291A	MEA UNIT-GEAR ONE WAY	1	SNA	D	
9-1	JC66-00977A	CLUTCH-P_ONE WAY	2	SA	B	
9-2	JC66-00941A	GEAR-M_ONE WAY	1	SA	D	
10	JC97-02292A	MEA UNIT-IDLE FORWARD	1	SNA	D	
10-1	JC61-01288A	HOLDER-M_IDLE ONE WAY	1	SA	A	
12	JC97-02259A	MEA UNIT-ROLLER PU	2	SA	A	
13	JC66-00940A	GEAR-M_IDLE PU	1	SA	D	
14	JC66-00943A	GEAR-M_PU JOINT	1	SA	D	
15	JC39-00794A	HARNESS-SCF_EMPTY	1	SNA	D	
16	JC39-00833A	HARNESS-MOTOR_SW	1	SNA	D	

## 5.10 Side Duplex



## Side Duplex Parts List

SA : SERVICE AVAILABLE, SNA : SERVICE not AVAILABLE

Drawer#	SEC_Code	Description	QT'y	Service	Grade	Remark
0	JC96-04890A	ELA HOU-SIDE DUPLEX	1	SA	A	
1	JC96-04896X	ELA HOU-SIDE	1	SA	A	
1-1	JC63-00775A	COVER-M_SIDE	1	SA	B	
1-2	JC66-00969A	ROLLER-DUPLEX	1	SA	D	
1-3	JC66-00970A	ROLLER-DUPLEX READY	1	SA	A	
1-4	JC63-00784A	GROUND-P-DUPLEX	1	SNA	D	
1-5	JC61-00423A	BUSH-6_D	4	SA	B	
1-6	JC66-00971A	PULLEY-M_DUPLEX	2	SA	D	
1-7	6602-001092	BELT-TIMING GEAR	1	SA	B	
1-8	JC67-00116A	OTHER MECHA-M COLLAR DP	1	SNA	D	
1-9	6044-000125	RING-E	4	SA	A	
1-10	JC61-01334A	BRACKET-P-DUPLEX	1	SNA	D	
1-11	JB39-00103A	CBF HARNESS-LIU GND	1	SA	B	
1-12	JC67-00112A	CAP-M_SIDE	1	SNA	D	
1-13	JC39-00783A	HARNESS-DUPLEX	1	SA	D	
1-14	JC64-00205A	HANDLE-M_SIDE	1	SA	D	
1-15	JC66-00935A	SHAFT-HANDLE	1	SNA	D	
1-16	JC64-00199A	LOCKER-M_REAR	1	SA	A	
1-17	JC61-00479A	SPRING ETC-LOCKER TORSION	1	SA	D	
1-18	JC64-00198A	LOCKER-M_FRONT	1	SA	A	
1-19	6001-000130	SCREW-MACHINE	2	SA	A	
1-20	6003-000196	SCREW-TAPTITE	10	SA	B	
1-21	JC31-00088A	FAN-DC	1	SA	B	
1-22	JC31-00087A	FAN-DC	1	SA	A	
1-23	JC61-01308A	GUIDE-M_EXIT	1	SNA	D	
1-23-1	JC61-02562A	GUIDE-EXIT SUB	2	SA	A	
1-24	JC68-01246B	LABEL(R)-GUIDE_DUPLEX	1	SNA	D	
1-25	JC61-02557A	SPRING-TS	1	SA	D	
1-26	JC66-01686A	LEVER-GEAR FRONT	1	SA	D	
1-27	0604-001095	PHOTO-INTERRUPTER	2	SA	A	
1-28	JC61-02246A	BRACKET-CAM FRONT	1	SNA	D	
1-29	JC61-01335A	HOLDER-M_ACTUATOR DP	1	SA	A	
1-30	JC61-01336A	LEG-M_ACTUATOR DUPLEX	1	SA	A	
1-31	JC61-00019A	SPRING ETC-ACT, FEED	1	SA	D	
1-32	JC31-00094A	MOTOR DC	1	SA	A	
1-33	JC61-02269A	BRACKET-MOTOR	1	SNA	D	
1-34	6003-000196	SCREW-TAPTITE	7	SA	B	
1-35	JC63-01585A	COVER-MOTOR ENV	1	SNA	D	
1-36	JC66-01665A	GEAR-IDLE ENV	1	SA	D	



## Side Duplex Parts List

SA : SERVICE AVAILABLE, SNA : SERVICE not AVAILABLE

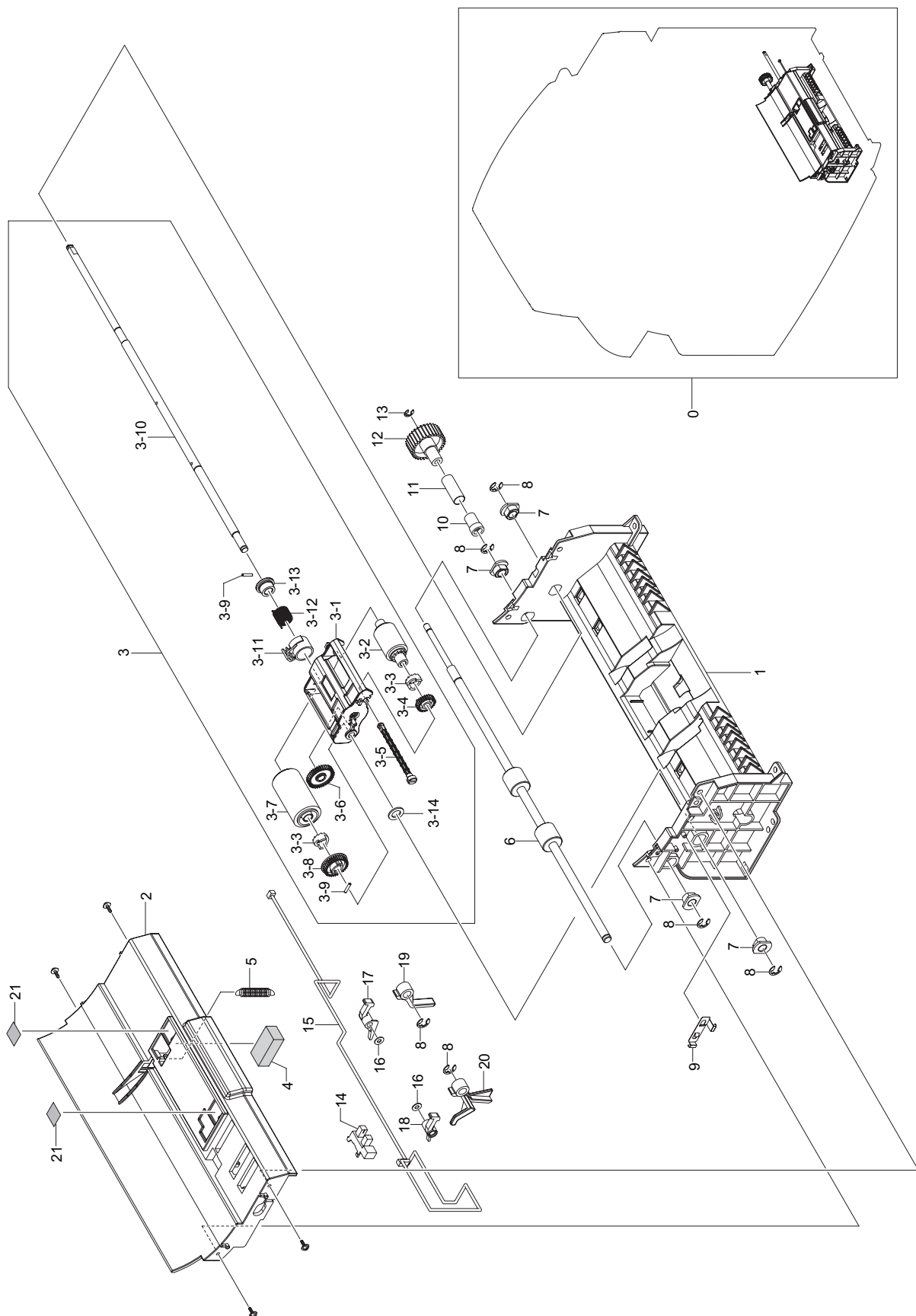
Drawer#	SEC_Code	Description	QT'y	Service	Grade	Remark
1-37	JC66-01684A	GEAR-CAM REAR	1	SA	D	
1-38	JC66-01685A	GEAR-DRIVE REAR	1	SA	D	
1-39	JC61-70910A	SPRING ETC-RAIL	2	SA	D	
2	JC97-02264X	MEA UNIT-TRAY	1	SA	A	
3	JC96-04982A	ELA HOU-DUPLEX	1	SA	A	
3-1	JC61-01407A	HOLDER-M_SAW	1	SNA	D	
3-2	JC70-10232D	IPR-E-PLATE SAW(MCK2)	1	SA	D	
3-3	JC61-01290A	GUIDE-P-TR	1	SNA	D	
3-4	JC63-01868A	SHEET-CLEARING TR	1	SNA	D	
3-4-1	JC63-01869A	SHEET-FEED CTD	1	SNA	D	
3-4-2	JC61-02259A	HOLDER-CTD SENSOR	1	SNA	D	
3-5	JC61-02760A	GUIDE-P-EARTH TR	1	SA	A	
3-6	JC61-01292A	GUIDE-M_FEED	1	SNA	D	
3-7	0203-001778	TAPE-DOUBLE FACE	1	SNA	D	
3-8	JC63-00786A	GROUND-P-GND	1	SNA	D	
3-9	JC63-00788A	GROUND-P-SAW	1	SNA	D	
3-10	JC63-00787A	GROUND-P-TR	1	SNA	D	
3-11	JC39-00187A	CBF HARNESS-ADF ROLLER GND	1	SA	D	
3-12	JC61-70959A	SPRING ETC-SPRING ETC FEED	4	SA	D	
3-13	JC66-01013A	ROLLER-M IDLE JF	8	SA	A	
3-14	JC65-00012A	TERMINAL-S_IDLE	8	SA	A	
3-15	JC61-01293A	GUIDE-M_DUPLEX	1	SNA	D	
3-16	JC67-00125A	BRUSH-EXIT	1	SA	D	
3-17	JC63-00785A	GROUND-P-BRUSH	1	SNA	D	
3-18	6003-000196	SCREW-TAPTITE	12	SA	B	
3-19	JC96-05348A	ELA HOU-ID SENSOR	1	SA	A	
3-19-1	6003-000196	SCREW-TAPTITE	2	SA	B	
3-19-3	JC32-00009A	SENSOR-CTD	1	SA	D	
3-19-4	JC39-00797A	HARNESS-CTD	1	SNA	D	
3-19-5	JC61-02767A	BLADE-CLEANER	1	SA	A	
3-19-6	JC61-02753A	HOLDER-CLEANER	1	SA	A	
3-19-7	JC61-02259A	HOLDER-CTD	1	SNA	D	
3-19-8	6107-001261	SPRING-TS	1	SA	A	
4	JC97-02287A	MEA UNIT-TR	1	SA	A	
4-1	JC61-01694A	BUSH-46D	2	SA	D	
4-2	JC61-70906A	SPRING ETC-TR_R	2	SA	D	
4-3	JC72-00884A	PMO-HOLDER GEAR TR	1	SA	D	
4-4	JC61-70203A	SPRING ETC-PLATE TR	1	SA	D	
4-5	JC97-02375A	MEA UNIT-TR SUB	1	SA	A	

## Side Duplex Parts List

SA : SERVICE AVAILABLE, SNA : SERVICE not AVAILABLE

Drawer#	SEC_Code	Description	QT'y	Service	Grade	Remark
4-6	6044-000125	RING-E	2	SA	A	
4-7	JC72-40228A	PMO-BUSH	2	SA	D	
4-8	JC72-00883A	PMO-HOLDER GND TR	1	SA	D	

## 5.11 MP Unit

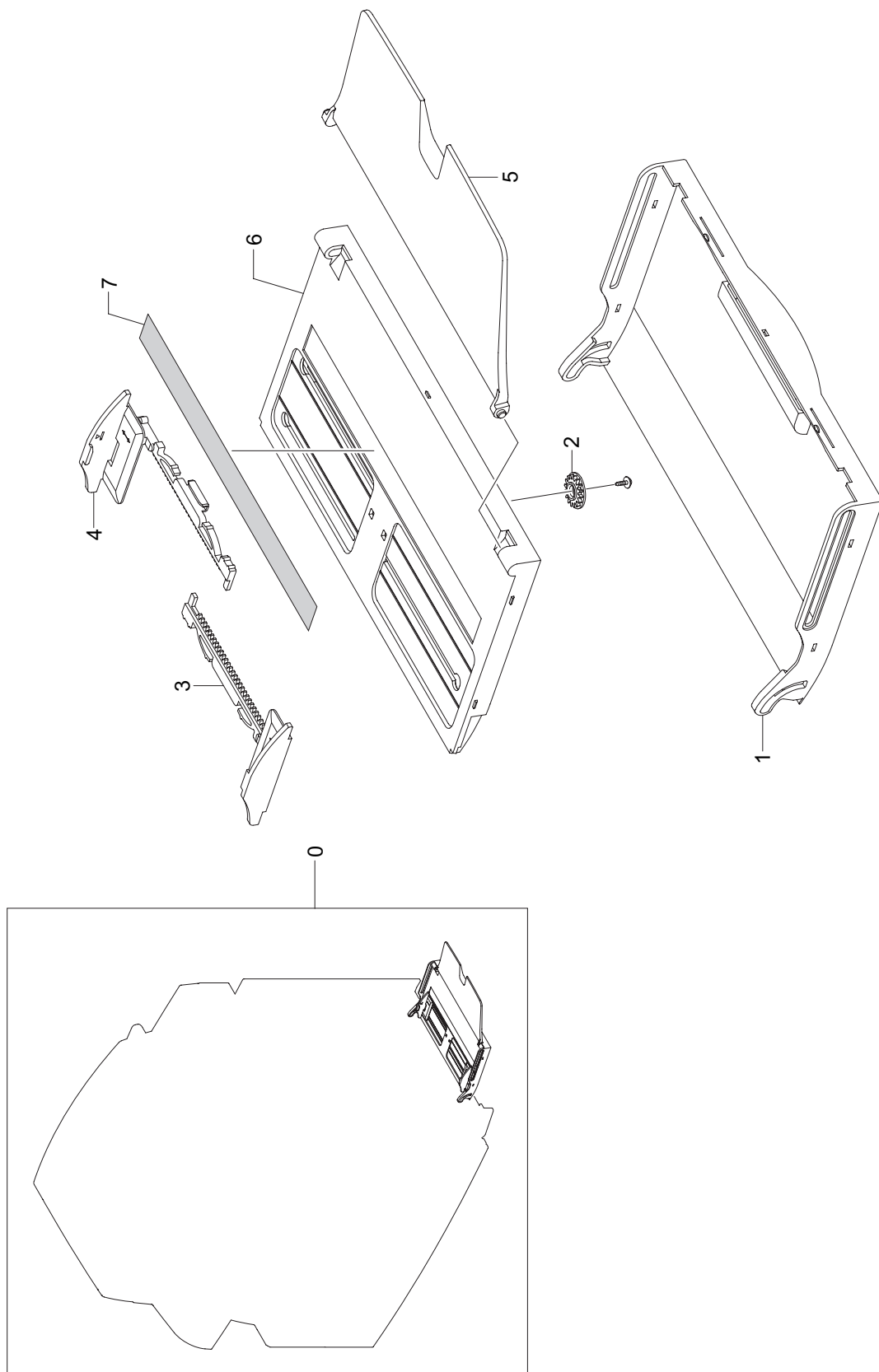


## MP Unit Parts List

SA : SERVICE AVAILABLE, SNA : SERVICE not AVAILABLE

Drawer#	SEC_Code	Description	QT'y	Service	Grade	Remark
0	JC96-04905A	ELA HOU-MP	1	SA	A	
1	JC61-01351B	FRAME-M_MP LOWER	1	SA	A	
2	JC61-01352B	FRAME-M_MP TOP	1	SA	A	
3	JC96-03533A	ELA HOU-MP PICK UP	1	SA	A	
3-1	JC61-01410A	GUIDE-M_PICKUP DOC	1	SNA	A	
3-2	JB75-00300A	MEC-PICK UP ROLLER ASSY	1	SA	A	
3-3	JB72-00845A	PMO-PICK UP CLUTCH SUB	1	SA	A	
3-4	JB66-00105A	GEAR-PICK UP 26	1	SA	A	
3-5	JC72-00744A	PMO-SHAFT PICK UP	1	SA	B	
3-6	JB66-00102A	GEAR-PICK UP IDEL 38	1	SA	A	
3-7	JB75-00299A	MEC-ADF ROLLER ASSY	1	SA	A	
3-8	JB66-00104A	GEAR-ADF IDLE 34	1	SA	A	
3-9	JB70-00168A	ICT-PIN ADF	1	SA	A	
3-10	JC66-00978A	SHAFT-PICK UP MP	1	SNA	D	
3-11	JB72-00821A	PMO-ADF COLAR	1	SA	A	
3-12	JB61-70904A	SPRING ETC-CLUTCH	1	SA	A	
3-13	JC61-00750A	BUSH-M-ADF CLUTCH	1	SA	D	
3-14	6031-000023	WASHER-PLAIN	1	SA	B	
4	JC72-01375A	SPONGE-DAMPER MP	1	SNA	D	
5	6107-001256	SPRING-ES	1	SA	A	
6	JC66-01026A	ROLLER-MP DRV	1	SNA	D	
7	JC61-00423A	BUSH-6_D	1	SA	B	
8	6044-000125	RING-E	1	SA	A	
9	JC63-00744A	GROUND-P-MP	1	SNA	D	
10	JG72-40732A	PMO-BUSHING HOLDER	1	SNA	D	
11	JG70-40534A	ICT-SPRING CLUTCH	1	SA	D	
12	JC66-00936A	GEAR-M_MP FEED	1	SA	D	
13	6044-000159	RING-C	1	SA	B	
14	0604-001095	PHOTO-INTERRUPTER	1	SA	A	
15	JC39-00791A	HARNES LIMIT_EMPTY	1	SA	D	
16	6031-001247	WASHER-PLAIN	1	SNA	D	
17	JC66-00958B	LATCH-M_ARM REAR	1	SNA	D	
18	JC66-00958A	LATCH-M_ARM FRT	1	SNA	A	
19	JC61-01307B	STOPPER-M_PAPER REAR	1	SNA	A	
20	JC61-01307A	STOPPER-M_PAPER FRT	1	SNA	D	
21	JB63-00058A	SHEET-FILM ASF	1	SNA	A	

## 5.12 MP Tray

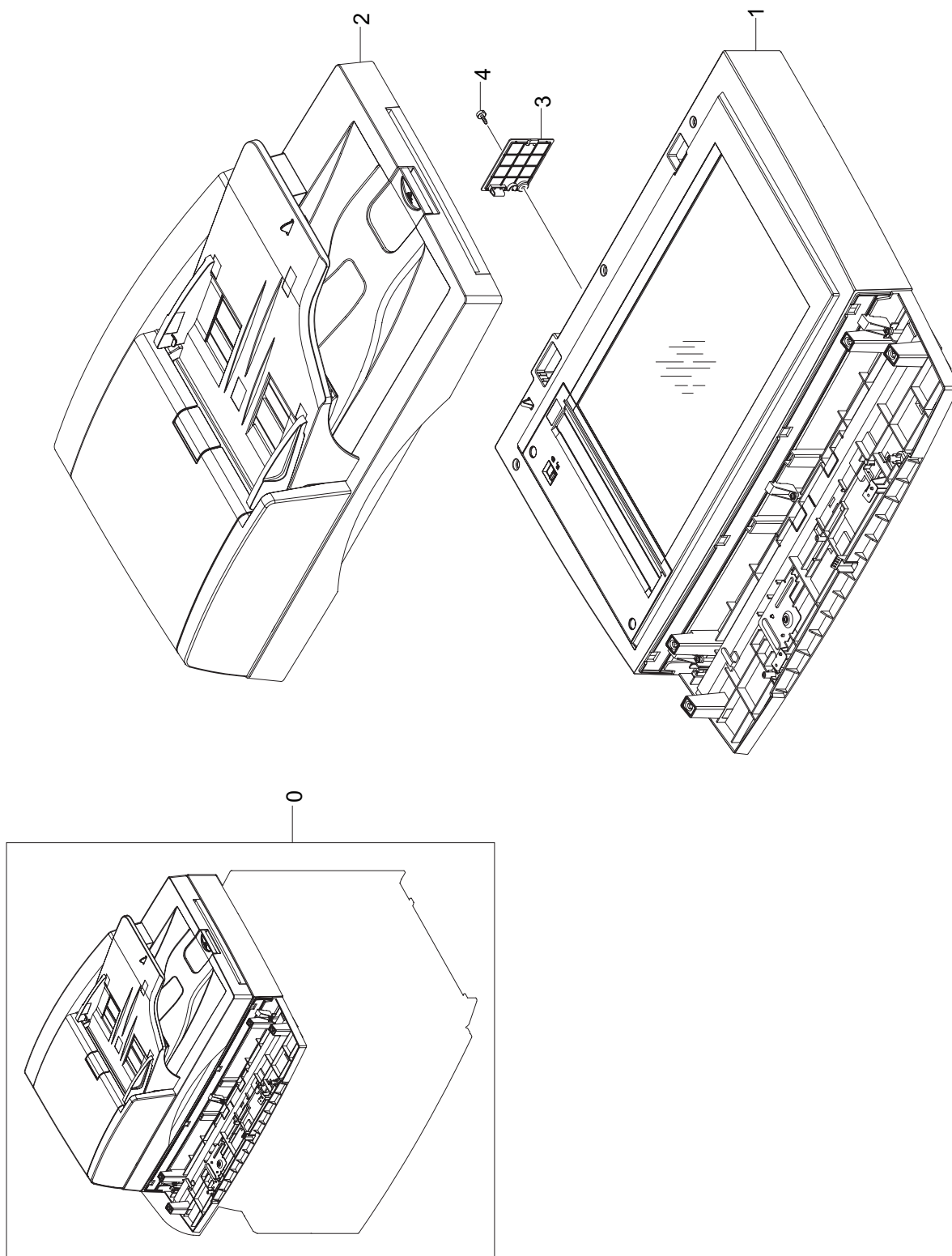


## MP Tray Parts List

SA : SERVICE AVAILABLE, SNA : SERVICE not AVAILABLE

Drawer#	SEC_Code	Description	QT'y	Service	Grade	Remark
0	JC97-02264B	MEA UNIT-TRAY	1	SA	A	
1	JC63-00746B	TRAY-COVER LOWER	1	SNA	D	
2	JG66-40003A	GEAR-PINION	1	SA	A	
3	JC72-01005D	PMO-SIDE GUIDE MP(L)	1	SNA	A	
4	JC72-01006C	PMO-SIDE GUIDE MP(R)	1	SNA	A	
5	JC63-00447E	TRAY-M_ASF_FOLDER	1	SA	A	
6	JC63-00745B	TRAY-COVER TOP	1	SNA	A	
7	JC68-01622B	LABEL-INSTALLATION	1	SNA	D	

### 5.13 Scanner Ass'y



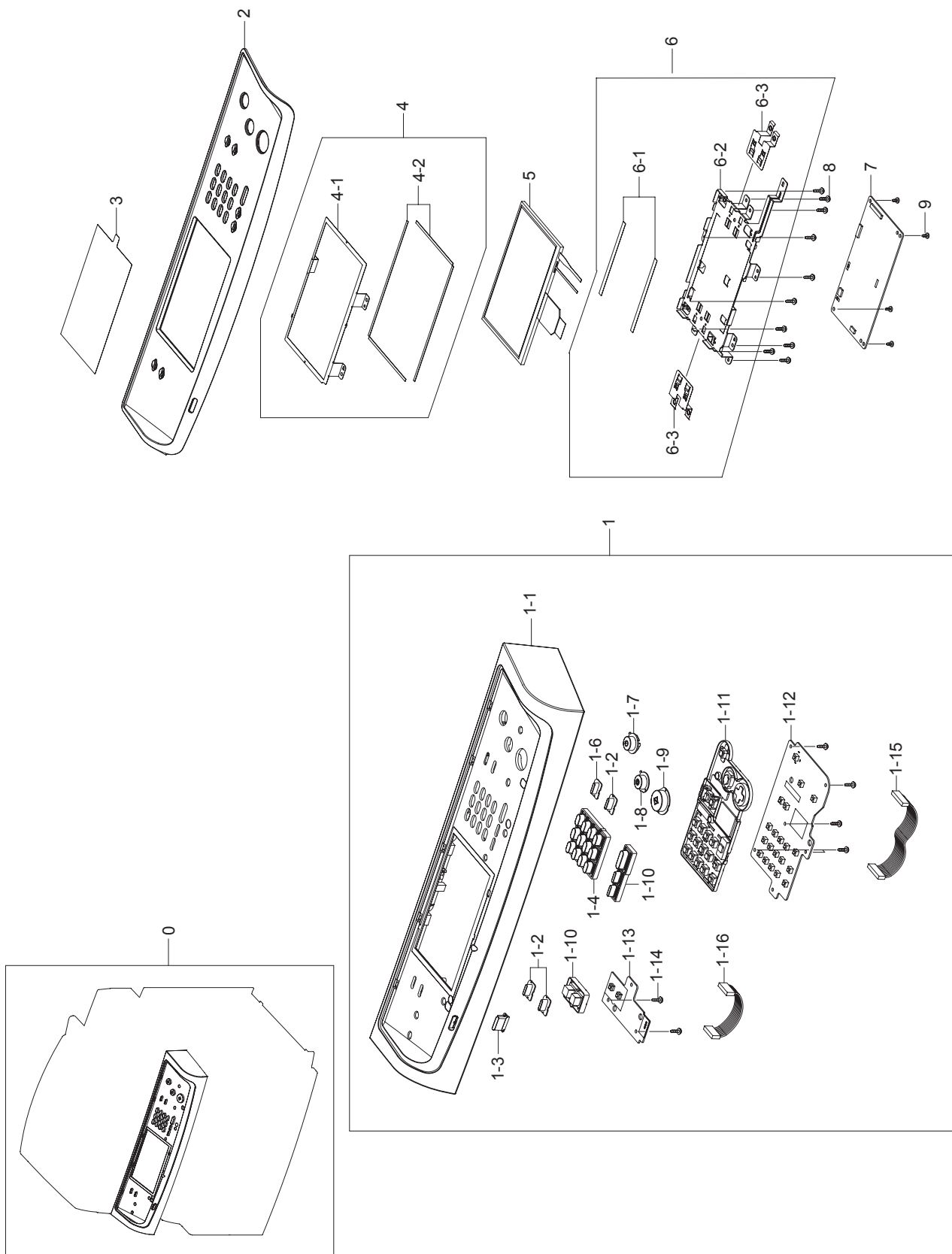
## Scanner Ass'y Parts List

SA : SERVICE AVAILABLE, SNA : SERVICE not AVAILABLE

Drawer#	SEC_Code	Description	QT'y	Service	Grade	Remark
0	JC96-04863A	ELA HOU-SCAN	1	SA	A	
1	JC96-04979A	ELA HOU-PLATEN	1	SA	A	
2	JC96-04855A	ELA HOU-DADF	1	SA	A	
3	JC63-00765A	COVER M_CONNECTOR	1	SA	D	
4	JC61-02098A	SCREW-SPECIAL	1	SA	D	



## 5.14 OPE Unit

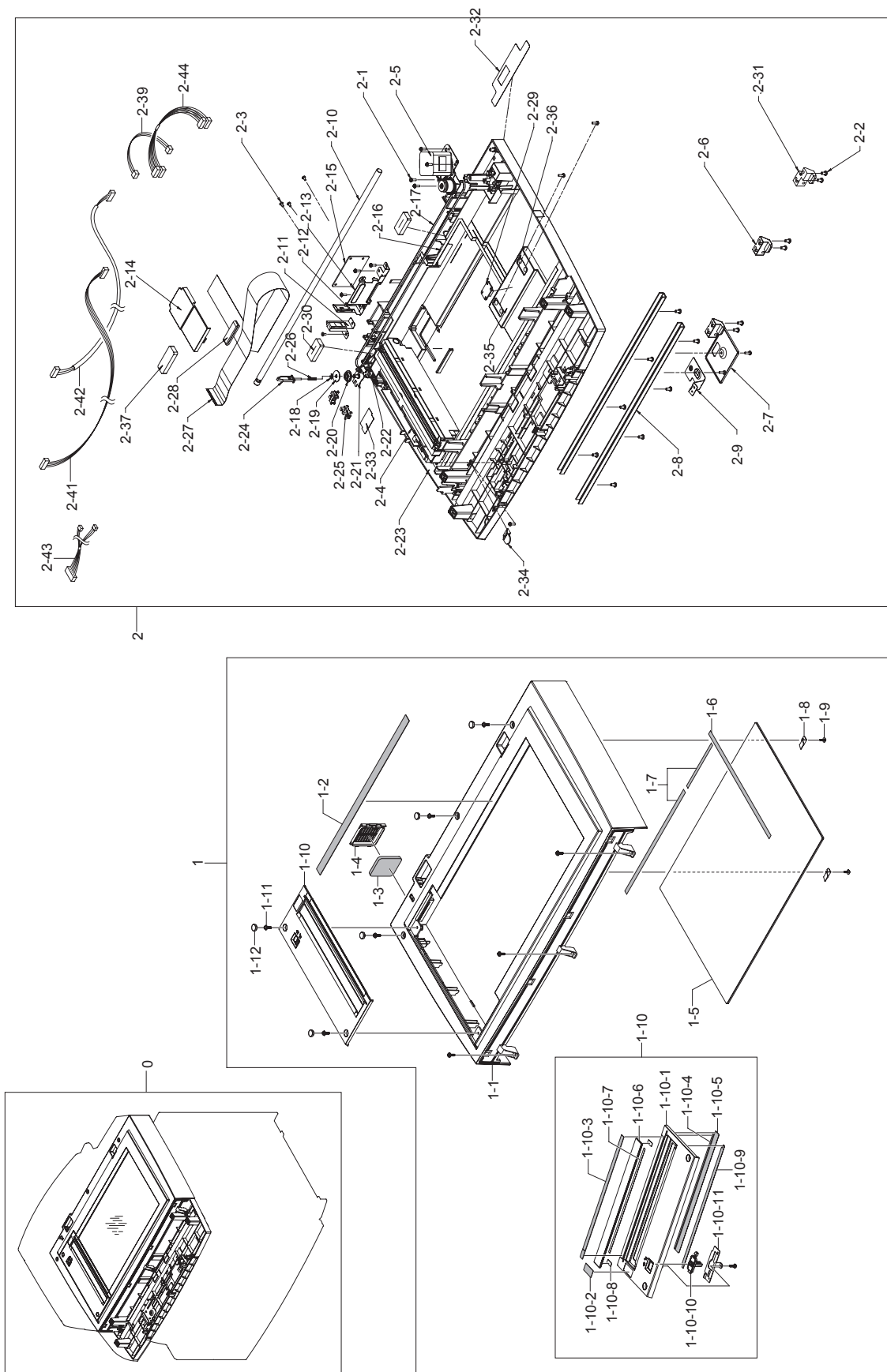


## OPE Unit Parts List

SA : SERVICE AVAILABLE, SNA : SERVICE not AVAILABLE

Drawer#	SEC_Code	Description	QT'y	Service	Grade	Remark
0	JC96-04666A	ELA HOU-OPE	1	SA	A	
1	JC96-04667A	ELA HOU-OPE COVER	1	SA	A	
1-1	JC63-01455A	COVER-OPE	1	SNA	D	
1-2	JC64-00287A	KEY-JOB_STATUS	3	SA	D	
1-3	JC67-00209A	LENS-STATUS	1	SNA	D	
1-4	JC64-00239A	KEY-M_TEL	1	SNA	D	
1-5	JC64-00288A	KEY-HOOK	1	SA	A	
1-6	JC64-00244A	KEY-M_BLACK	1	SNA	D	
1-7	JC64-00289A	KEY-STOP	1	SA	D	
1-8	JC64-00290A	KEY-START	1	SA	D	
1-9	JC64-00335A	KEY-POWER	1	SA	A	
1-10	JC73-00258A	RUBBER-JOB STATUS	1	SNA	D	
1-11	JC73-00257A	RUBBER-JOB START	1	SNA	D	
1-12	JC92-01929A	PBA SUB-KEY	1	SA	A	
1-13	JC92-01928A	PBA SUB-KEY_SUB	1	SA	A	
1-14	6003-000196	SCREW-TAPTITE;PWH,+,B,M3,L10	7	SA	B	
1-15	JC39-00764A	HARNESS-OPE_KEY	1	SNA	A	
1-16	JC39-00765A	HARNESS-OPE_KEY_SUB	1	SNA	A	
2	JC63-01456B	COVER-PANEL FRONT	1	SNA	B	
3	JC63-01784A	SHEET-LCD	1	SA	B	
4	JC97-03138A	MEA UNIT-PLATE LCD	1	SA	A	
4-1	JC61-02521A	PLATE-LCD	1	SNA	D	
4-2	JC62-00428A	SEAL-COLOR LCD	2	SNA	A	
5	JC07-00011A	LCD	1	SA	A	
6	JC97-03477A	MEA UNIT-PLATE OPE	1	SA	A	
6-1	JC02-00013A	TAPE ETC-DOUBLE TAPE SMALL	2	SNA	A	
6-2	JC61-02522A	PLATE-OPE	1	SNA	D	
6-3	JC63-01459A	GROUND-LCD R	2	SNA	A	
7	JC92-02045A	PBA-OPE	1	SA	A	
8	6003-000196	SCREW-TAPTITE;PWH,+,B,M3,L10	10	SA	B	
9	6003-000269	SCREW-TAPTITE;BH,+,-,S,M3,L6,ZPC(WHT)	4	SA	B	

## 5.15 Platen Ass'y



## Platen Ass'y Parts List

SA : SERVICE AVAILABLE, SNA : SERVICE not AVAILABLE

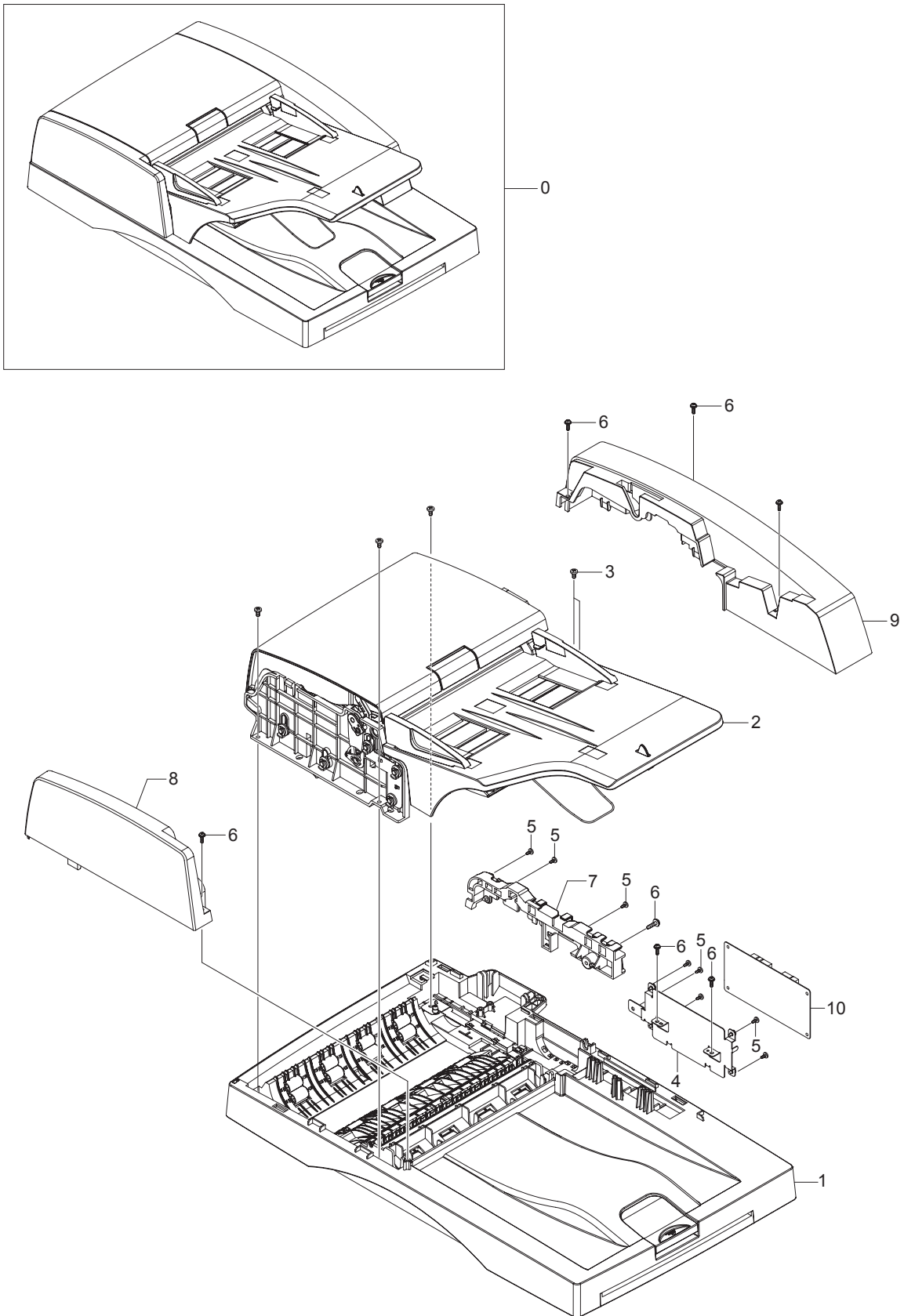
Drawer#	SEC_Code	Description	QT'y	Service	Grade	Remark
0	JC96-04979A	ELA HOU-PLATEN	1	SA	A	
1	JC96-04569A	ELA UNIT-SCAN UPPER	1	SA	A	
1-1	JC63-01371A	COVER SCAN UPPER	1	SNA	A	
1-2	JC63-00748A	SHEET-ABS_REGI_EDGE	1	SNA	D	
1-3	JC72-01393A	SPONGE-FILTER DUST	1	SA	D	
1-4	JC63-01364A	COVER FAN	1	SNA	A	
1-5	JC01-00016A	GLASS SCAN HEATING	1	SA	D	
1-6	JC02-00012A	TAPE ETC-DOUBLE TAPE LARGE	2	SNA	D	
1-7	JC02-00013A	TAPE ETC-DOUBLE TAPE SMALL	1	SNA	A	
1-8	JB70-00148A	IPR-HOLDER GLASS	2	SA	A	
1-9	6002-000440	SCREW-TAPPING	2	SA	B	
1-10	JC97-02950A	MEA UNIT DUMMY UPPER	1	SA	A	
1-10-1	JC63-01361A	COVER-ADF GLASS	1	SNA	D	
1-10-2	JC68-01548A	LABEL(R)-CLEAN	1	SNA	D	
1-10-3	JC68-01550A	LABEL(R)-REGI_EDGE(L)	1	SNA	D	
1-10-4	JC63-00074A	SHEET-DUMMY UPPER	1	SA	D	
1-10-5	JC63-01674A	SHEET-SHADING	1	SNA	B	
1-10-6	JC74-00019A	MCT-GLASS ADF	1	SA	D	
1-10-7	0203-001799	TAPE-DOUBLE FACE	1	SNA	D	
1-10-8	0203-001800	TAPE-DOUBLE FACE	2	SNA	D	
1-10-9	JC63-01152A	SHEET ADF GLASS	1	SNA	A	
1-10-10	JC97-03035A	MEA UNIT-LEVER-LOCKER	1	SNA	A	
1-10-11	JC61-01987A	BRACKET-LOCKER	1	SNA	A	
1-11	6003-000196	SCREW-TAPTITE	9	SA	B	
1-12	JC67-00164A	CAP-HOLE SCREW	5	SA	D	
2	JC96-04980A	ELA HOU-SCAN LOWER	1	SNA	A	
2-1	JC63-01367A	COVER-SCAN LOWER	1	SNA	A	
2-2	6003-001256	SCREW-TAPTITE	14	SNA	A	
2-3	6003-000269	SCREW-TAPTITE	4	SA	B	
2-4	JC96-04615A	ELA UNIT-CCDM HC	1	SA	A	
2-5	JC96-04958A	ELA UNIT-SCAN MOTOR	1	SA	A	
2-6	JC61-02015A	HOLDER-FRAME	2	SNA	D	
2-7	JC61-01318A	PLATE-P-SCAN LOWER	1	SNA	A	
2-8	JC70-00239A	IPR-CHANNEL BASE FRAME	2	SA	D	
2-9	JC61-02091A	BRACKET-OPE GROUND	1	SA	D	
2-10	JC66-01526A	SHAFT-CCD	1	SNA	A	
2-11	JC63-00812A	GROUND-P-SCAN LOWER	1	SNA	A	
2-12	JC63-01406A	GROUND-SCAN IF	1	SNA	D	
2-13	JC61-02090A	BRACKET-BOARD	1	SNA	D	

## Platen Ass'y Parts List

SA : SERVICE AVAILABLE, SNA : SERVICE not AVAILABLE

Drawer#	SEC_Code	Description	QT'y	Service	Grade	Remark
2-14	JC63-01362A	COVER-CCD CABLE	1	SA	A	
2-15	JC92-01884A	PBA SUB-SCAN_IF	1	SA	A	
2-16	JC39-00941A	FLAT CABLE-APS_FFC	1	SNA	D	
2-17	6602-001090	BELT-TIMING GEAR	1	SA	A	
2-18	6044-000125	RING-E	1	SA	A	
2-19	JB72-00764A	PMO-HOLDER BELT	1	SA	A	
2-20	JB72-00763A	PMO-PULLEY	1	SA	A	
2-21	JC61-01365A	BRACKET-P-PULLEY	1	SNA	D	
2-22	6107-001194	SPRING-CS	1	SA	B	
2-23	JC63-01367A	COVER-SCAN LOWER	1	SNA	A	
2-24	JC72-00755A	PMO-LEVER SENSOR	1	SA	B	
2-25	0604-001095	PHOTO-INTERRUPTER	2	SA	A	
2-26	JB61-70939A	SPRING ETC-EXIT	1	SNA	D	
2-27	JC39-00815A	HARNESS-CCD_FFC	1	SNA	D	
2-28	3301-001900	CORE-FERRITE	1	SNA	D	
2-29	JC92-02009A	PBA-APS_IF	1	SA	A	
2-30	JC62-00499A	SEAL-SCAN_LOWER	2	SA	A	
2-31	JC64-00360A	LOCKER-SCAN FR L	1	SNA	D	
2-32	JC63-01876A	SHEET-SCAN_LOWER_L	1	SA	A	
2-33	JC63-01875A	SHEET-SCAN_LOWER_S	1	SA	A	
2-34	JC61-00667A	STOPPER-M-FAN80	1	SA	D	
2-35	JC61-02365A	PLATE-DOC SIZE	1	SNA	D	
2-36	0604-001370	PHOTO-INTERRUPTER	2	SA	D	
2-37	JC62-00492A	SEAL-COVER CCD	1	SA	D	
2-38	JC39-00322A	CBF HARNESS-SCAN GND	1	SNA	A	
2-39	JC39-00723A	HARNESS-SCAN MT	1	SNA	D	
2-40	JC39-00781A	HARNESS-SCAN_IF	1	SNA	D	
2-41	JC39-00786A	HARNESS-OPE_USB	1	SNA	D	
2-42	JC39-00787A	HARNESS-OPE_MAIN	1	SNA	D	
2-43	JC39-00796A	HARNESS-APS_SEN	1	SNA	D	
2-44	JC39-00811A	HARNESS-SCAN_SEN	1	SNA	D	

## 5.16 DADF Ass'y

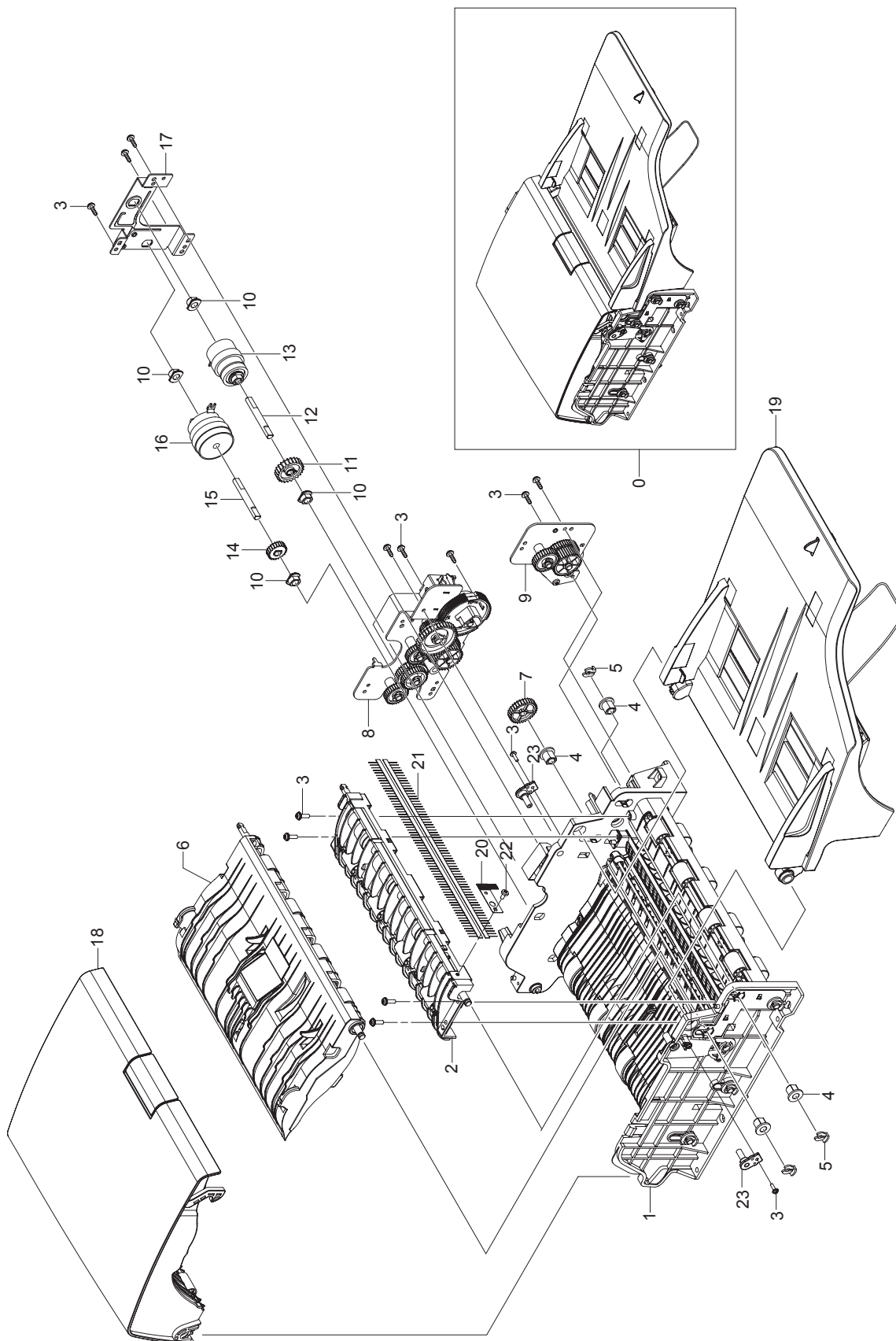


## DADF Ass'y Parts List

SA : SERVICE AVAILABLE, SNA : SERVICE not AVAILABLE

Drawer#	SEC_Code	Description	QT'y	Service	Grade	Remark
0	JC96-04855A	ELA HOU-DADF	1	SA	A	
1	JC96-04856A	ELA-COVER PLATEN	1	SNA	A	
2	JC96-04858A	ELA-DADF SUB	1	SA	A	
3	6003-001256	SCREW-TAPTITE	5	SNA	A	
4	JC63-01643A	SHIELD-DADF BD	1	SNA	D	
5	6003-000269	SCREW-TAPTITE	8	SA	B	
6	6003-000196	SCREW-TAPTITE	7	SA	B	
7	JC61-02298A	HOLDER HARNESS	1	SNA	D	
8	JC63-01611A	COVER-FRONT	1	SNA	D	
9	JC63-01637A	COVER-REAR	1	SNA	D	
10	JC92-01942A	PBA-DADF	1	SA	A	

### 5.17 DADF SUB Ass'y



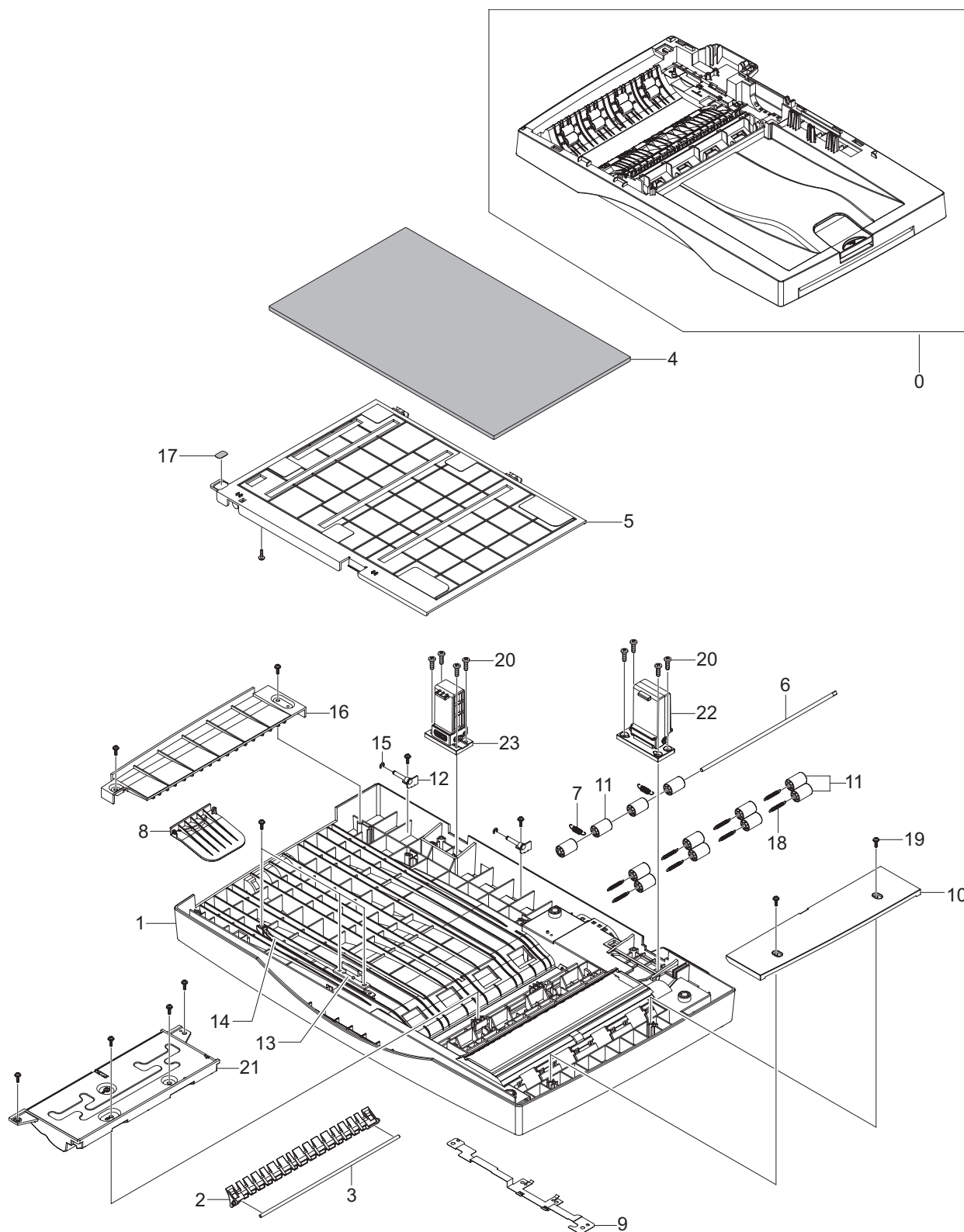


## DADF SUB Ass'y Parts List

SA : SERVICE AVAILABLE, SNA : SERVICE not AVAILABLE

Drawer#	SEC_Code	Description	QT'y	Service	Grade	Remark
0	JC96-04858A	ELA-HOU DADF SUB	1	SA	A	
1	JC96-04861A	ELA HOU-GUIDE SCAN	1	SA	A	
2	JC97-03095A	MEA-EXIT	1	SA	D	
3	6003-000196	SCREW-TAPTITE	14	SA	B	
4	JC61-00884A	BUSH-6_D(L)	4	SNA	D	
5	JC61-01367A	FIXER-M_E RING 4PI	3	SA	A	
6	JC97-03096A	MEA-GUIDE PICK UP	1	SA	A	
7	JC66-01675A	GEAR-ROLLER DRIVE	1	SA	D	
8	JC96-04859A	ELA HOU-DADF MOTOR	1	SA	A	
9	JC96-04860A	ELA HOU-DUPLEX MOTOR	1	SA	A	
10	JC61-00423A	BUSH-6_D	4	SA	B	
11	JC66-00565A	GEAR-DADF24(A)	1	SA	D	
12	JC66-00662A	SHAFT-REGI	1	SA	D	
13	JC66-01864A	CLUTCH-2.5K Z24	1	SA	D	
14	JC66-01667A	GEAR-CLUTCH	1	SA	D	
15	JC66-00662A	SHAFT-REGI	1	SA	D	
16	JC66-00994A	CLUTCH-5K Z32	1	SA	B	
17	JC61-02283A	BRACKET-CLUTCH	1	SNA	D	
18	JC96-04862A	ELA HOU-COVER OPEN	1	SA	A	
19	JC97-03098A	MEA-TX STACKER	1	SA	A	
20	JC67-00317A	BRUSH-ANTISTATIC-FUSER	1	SNA	A	
21	JC75-00095A	MEC-BRUSH ANTISTATIC	2	SA	A	
22	6003-00269	SCREW-TAPTITE	1	SA	D	
23	JC64-00355A	HANDLE-STUD	2	SNA	D	

## 5.18 Cover Platen DADF

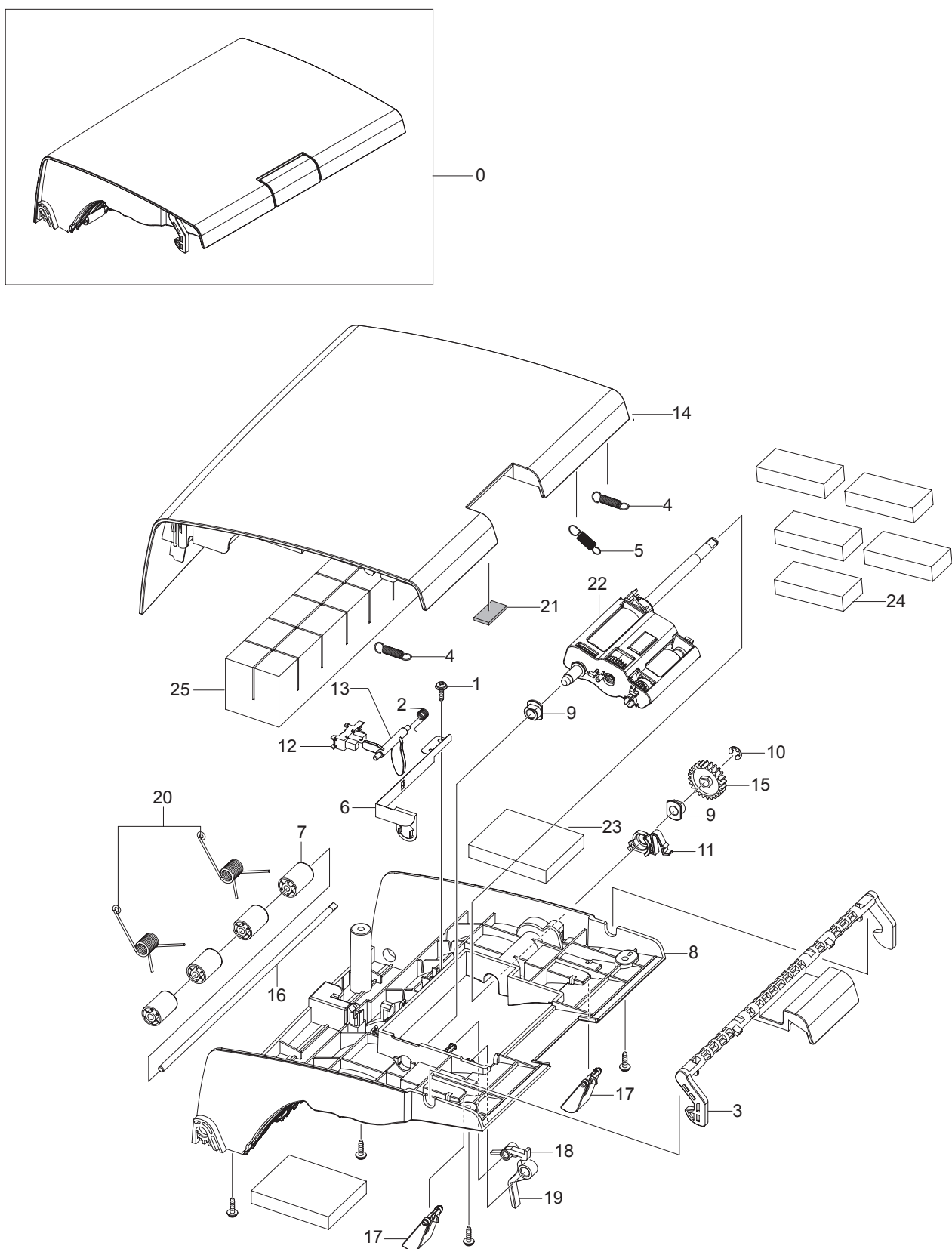


## Cover Platen\_DADF Parts List

SA : SERVICE AVAILABLE, SNA : SERVICE not AVAILABLE

Drawer#	SEC_Code	Description	QT'y	Service	Grade	Remark
0	JC96-04856A	ELA HOU-COVER PLATEN	1	SNA	A	
1	JC63-01638A	COVER-PLATEN	1	SNA	D	
2	JC61-02345A	GUIDE-REVERSE	1	SNA	D	
3	JC66-01861A	SHAFT-GATE	1	SNA	D	
4	JC72-00751A	PPR-SPONGE SHEET	1	SA	D	
5	JC63-01601A	COVER-PLATEN_SUB	1	SNA	D	
6	JC66-01860A	SHAFT-IDLE ROLLER	1	SNA	D	
7	JC61-70928A	SPRING ETC-DEV_R	2	SNA	A	
8	JC61-02347A	GUIDE-EXTENSION PLATEN	1	SNA	D	
9	JC63-01649A	GROUND-COVER PLATEN	1	SNA	D	
10	JC63-01600A	COVER-DUMMY PLATEN	1	SNA	D	
11	JC66-01022B	ROLLER-M_IDLE SCF	12	SNA	A	
12	JC61-02270A	BRACKET-PLATEN SUB	2	SNA	D	
13	JC64-00357A	HANDLE-SUB PLATEN	1	SNA	D	
14	JC72-00766A	PMO-TIE STOPPER	1	SA	D	
15	6044-000159	GING-C	2	SA	B	
16	JC63-01625A	COVER-PLATEN SUB DUMMY	1	SNA	D	
17	JC68-01246A	LABEL-GUIDE DUPLEX	1	SNA	D	
18	6107-001390	SPRING-ES	8	SNA	D	
19	6003-000196	SCREW-TAPTITE	14	SA	B	
20	6003-001324	SCREW-TAPTITE	8	SA	D	
21	JC96-04857A	ELA-COVER JAM	1	SA	A	
22	JC97-02265A	MEA UNIT-HINGE JF	1	SA	A	
23	JC97-02635A	MEA UNIT-HINGE JF	1	SA	A	

## 5.19 Cover Open DADF

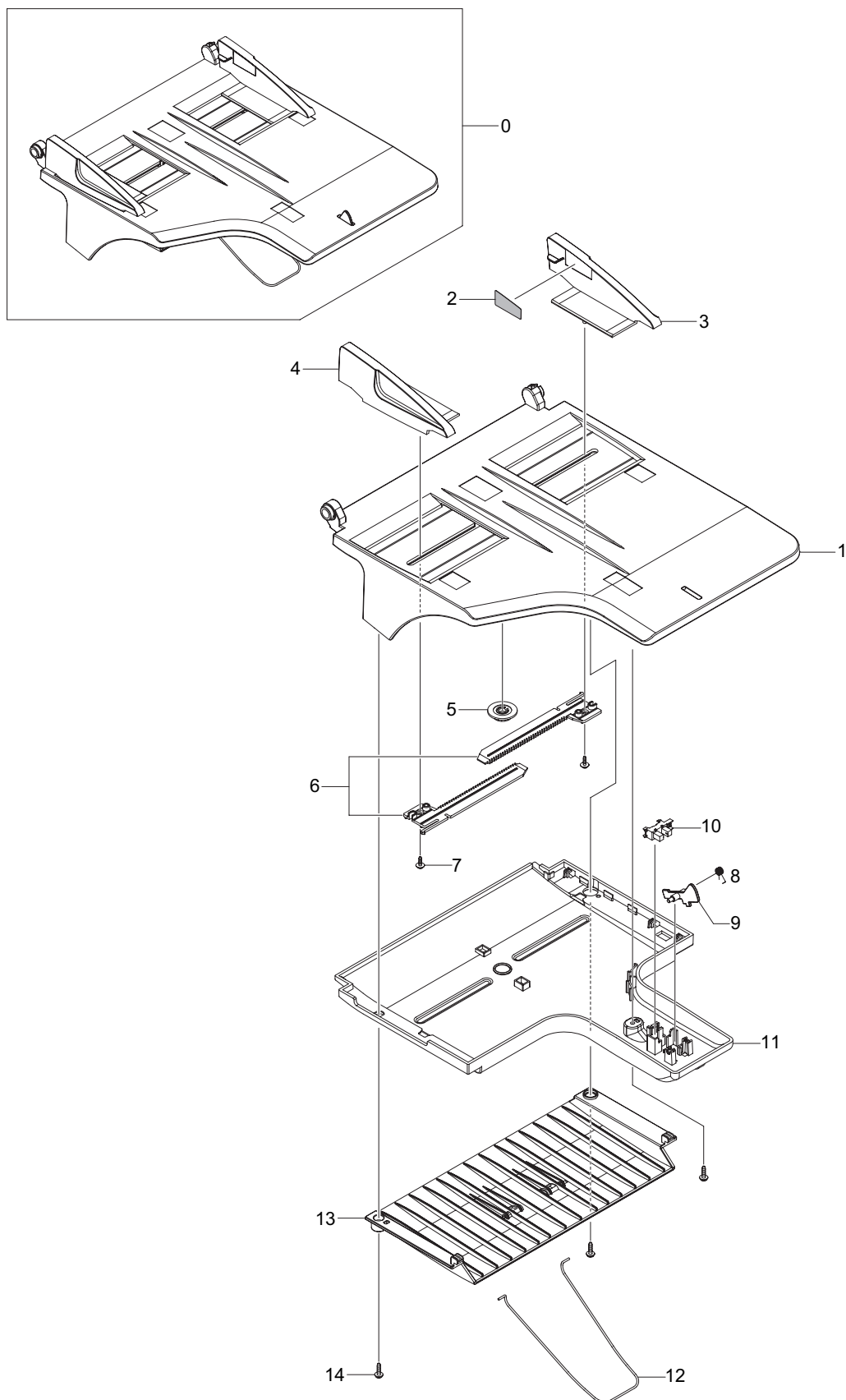


## Cover Open\_DADF Parts List

SA : SERVICE AVAILABLE, SNA : SERVICE not AVAILABLE

Drawer#	SEC_Code	Description	QT'y	Service	Grade	Remark
0	JC96-04862A	ELA-COVER OPEN	1	SA	A	
1	6003-000196	SCREW-TAPTITE	5	SA	B	
2	JB61-00076A	SPRING ETC-TORSION DOC(CC2-F)	1	SA	B	
3	JC64-00351A	HANDLE-COVER-OPEN	1	SNA	D	
4	JC61-00483A	SPRING-KNOCK UP MP	2	SA	A	
5	JC61-00482A	SPRING-ETC-PICK UP	1	SA	A	
6	JC63-01644A	GROUND-PICK UP	1	SNA	D	
7	JC66-01022B	ROLLER-M_IDLE_SCF	4	SNA	A	
8	JC63-01599A	COVER-OPEN-LOWER	1	SNA	D	
9	JC61-00423A	BUSH-6_D	2	SA	B	
10	6044-000125	RING-E	1	SA	A	
11	JC61-02250A	HOLDER-BUSH-PICK UP	1	SNA	D	
12	0604-001095	PHOTO-INTERRUPTER	1	SA	A	
13	JC66-01688A	ACTUATOR-REGI	1	SA	D	
14	JC63-01577A	COVER-OPEN-UPPER	1	SNA	D	
15	JC66-01644A	GEAR-PICK UP-DRIVE	1	SA	D	
16	JC66-01860A	SHAFT-IDLE ROLLER	1	SNA	D	
17	JC61-00788B	GUIDE-M_DOC SENSOR	2	SNA	D	
18	JC66-00958A	LATCH-M_ARM FRT	1	SNA	A	
19	JC61-01307B	STOPPER-M_PAPER REAR	1	SNA	A	
20	JB61-00074A	SPRING-SCAN STOPPER	2	SA	D	
21	JC72-01421A	SPONGE-COVER-UPPER1	1	SNA	D	
22	JC97-03099A	MEA-PICK UP	1	SA	D	
23	JC72-01483A	SPONGE-OPEN LOWER	2	SA	A	
24	JC72-01484A	SPONGE-OPEN UPPER A	5	SA	A	
25	JC72-01485A	SPONGE-OPEN UPPER B	1	SA	A	

## 5.20 TX Stacker\_DADF

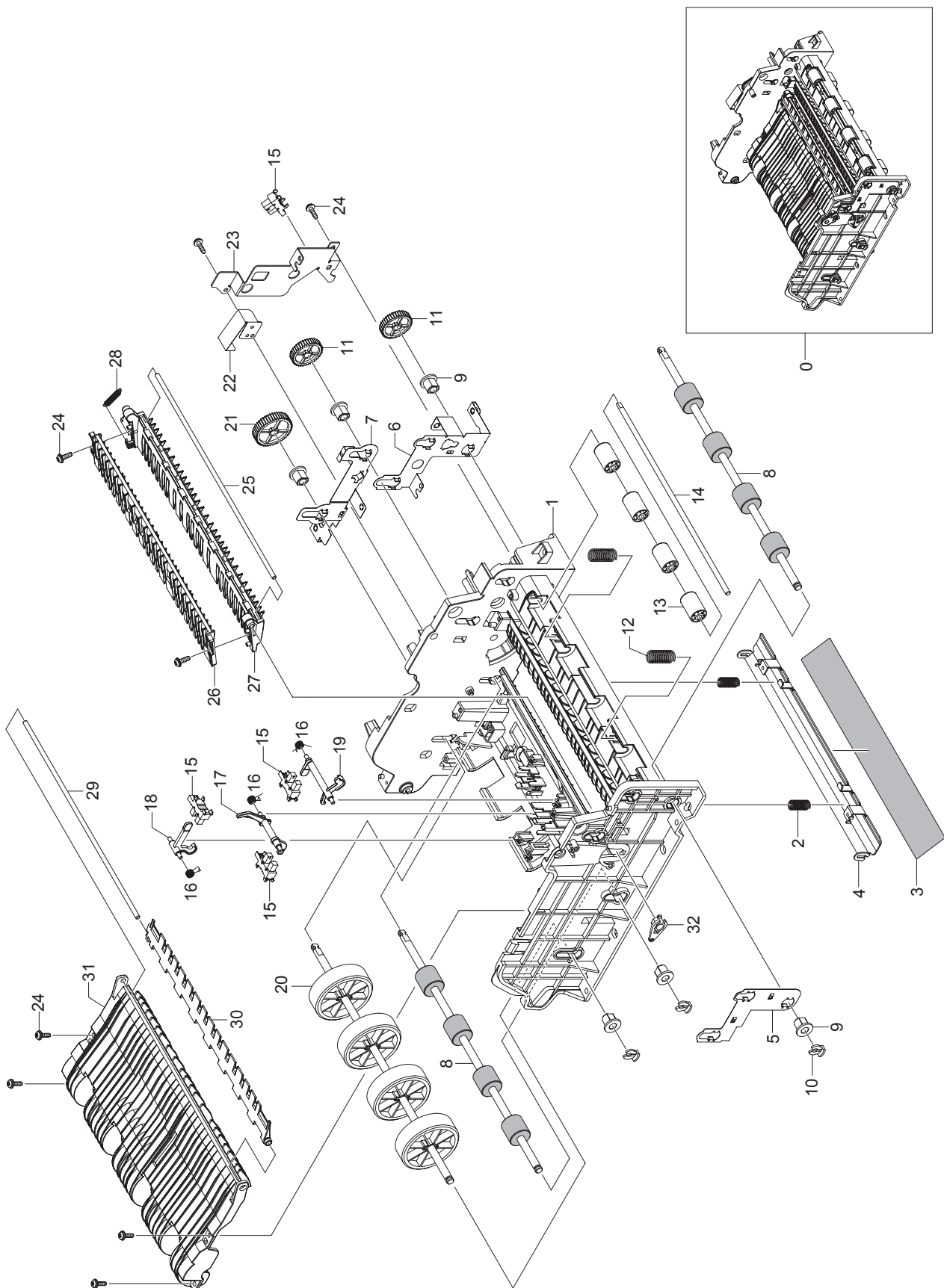


## TX Stacker\_DADF Parts List

SA : SERVICE AVAILABLE, SNA : SERVICE not AVAILABLE

Drawer#	SEC_Code	Description	QT'y	Service	Grade	Remark
0	JC97-03098A	MEA-TX STACKER	1	SA	A	
1	JC61-02344A	GUIDE_TX_STACKER	1	SNA	D	
2	JC68-01547B	LABEL-INSTALLATION	1	SNA	B	
3	JC61-02341A	GUIDE-DOC_REAR	1	SNA	D	
4	JC61-02340A	GUIDE-DOC FRONT	1	SNA	D	
5	JF72-41354A	PMO-GEAR PINION	1	SA	D	
6	JC66-01807A	GEAR-RACK DOCU TX	2	SNA	D	
7	6002-000440	SCREW-TAPPING	2	SA	B	
8	JB61-00076A	SPRING ETC-TORSION DOC(CC2-F)	1	SA	B	
9	JC72-01250B	PMO-ACTUATOR LENGTH	1	SA	D	
10	0604-001095	PHOTO-INTERRUPTER	1	SA	A	
11	JC61-02342A	GUIDE_STACKER_LOWER	1	SNA	D	
12	JC61-01438A	GUIDE-STACKER WIRE	1	SNA	A	
13	JC61-02342A	GUIDE_STACKER_DUMMY	4	SNA	D	
14	6003-000196	SCREW-TAPTITE	3	SA	B	

## 5.21 Guide Scan DADF



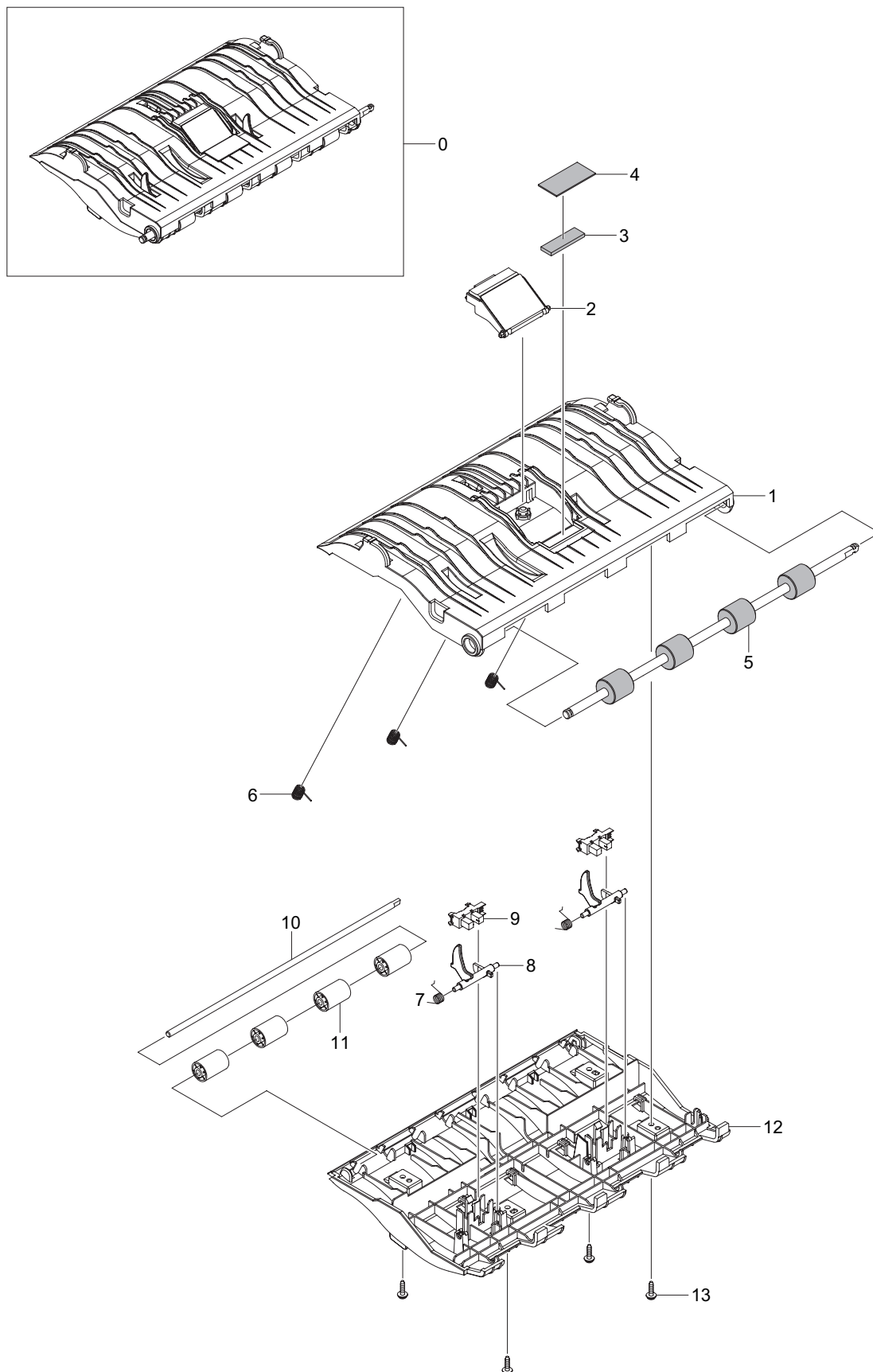


## Guide Scan\_DADF Parts List

SA : SERVICE AVAILABLE, SNA : SERVICE not AVAILABLE

Drawer#	SEC_Code	Description	QT'y	Service	Grade	Remark
0	JC96-04861A	ELA HOU-GUIDE SCAN	1	SA	A	
1	JC61-02346A	GUIDE-SCAN	1	SNA	D	
2	JC61-00548A	SPRING ETC-WHITE BAR	2	SA	A	
3	JC63-00810A	SHEET-WHITE BAR	1	SNA	A	
4	JC61-02754A	BRACKET-P-WHITE BAR	1	SA	D	
5	JC63-01647A	GROUND-EXIT FRONT	1	SNA	D	
6	JC63-01648A	GROUND-EXIT	1	SNA	D	
7	JC63-01646A	GROUND-DADF	1	SNA	D	
8	JC66-01826A	ROLLER-DUPLEX	2	SNA	D	
9	JC61-00884A	BUSH-6_D(L)	6	SNA	D	
10	JC61-01367A	FIXER-M_E RING 4PI	3	SA	A	
11	JC66-01675A	GEAR-ROLLER DRIVE	2	SA	D	
12	JC61-70959B	SPRING ETC-FEED	2	SNA	D	
13	JC66-01022B	ROLLER-M_IDLE SCF	4	SNA	A	
14	JC66-01860A	SHAFT-IDLE ROLLER	1	SNA	D	
15	0604-001095	PHOTO-INTERRUPTER	4	SA	A	
16	JB61-00076A	SPRING ETC-TORSION DOC(CC2-F)	3	SA	B	
17	JC66-01689A	ACTUATOR-DUPLEX	1	SA	D	
18	JC66-01690A	ACTUATOR-SCAN	1	SA	D	
19	JC66-01803A	ACTUATOR-GATE	1	SA	D	
20	JC97-03119A	MEA-FEED ROLLER	1	SA	D	
21	JC66-01806A	GEAR-MULTI ROLLER	1	SA	D	
22	JC70-00218A	IPR-GUARD C/O S/W	1	SA	D	
23	JC61-02282A	BRACKET-GROUND	1	SNA	D	
24	6003-000196	SCREW-TAPTITE	8	SA	B	
25	JC66-00683A	SHAFT-GATE DUPLEX	1	SNA	D	
26	JC61-02348A	GUIDE-PATH TOP	1	SNA	D	
27	JC61-02338A	GUIDE-PATH LOWER	1	SNA	D	
28	6107-001388	SPRING-GATE	1	SNA	D	
29	JC66-01861A	SHAFT-GATE	1	SNA	D	
30	JC61-02339A	GUIDE-DUPLEX	1	SNA	D	
31	JC63-01605A	COVER-DUPLEX	1	SNA	D	
32	JC72-41191A	PMO-BEARING SHAFT	1	SA	B	

## 5.22 Guide Pickup\_DADF

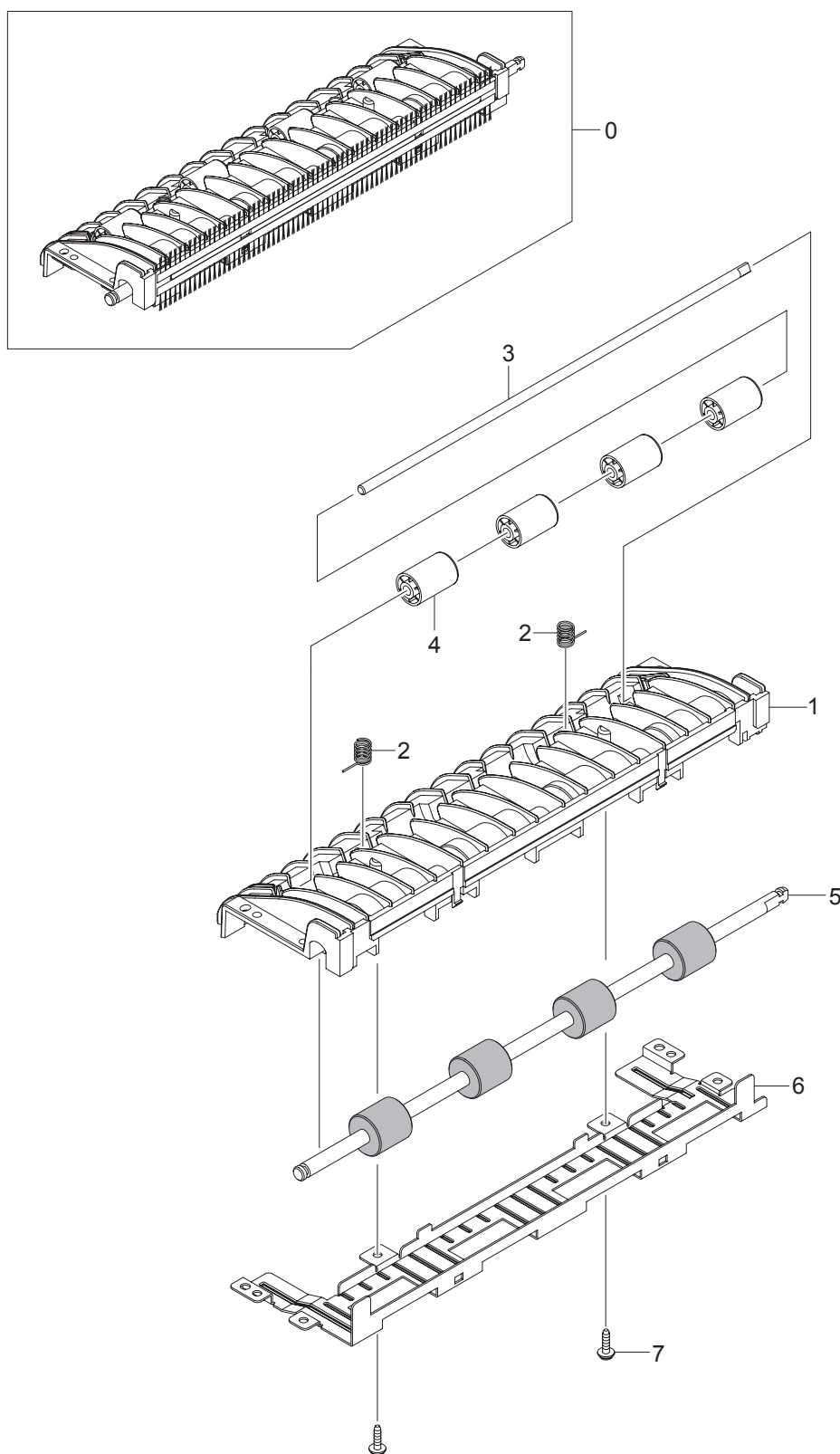


## Guide Pickup\_DADF Parts List

SA : SERVICE AVAILABLE, SNA : SERVICE not AVAILABLE

Drawer#	SEC_Code	Description	QT'y	Service	Grade	Remark
0	JC97-03096A	MEA-GUIDE PICK UP	1	SA	A	
1	JC61-02350A	GUIDE PICK UP_UPPER	1	SNA	D	
2	JC97-03097A	MEA-HOLDER ADF RUBBER	1	SA	D	
3	JC72-01422A	SPONGE-GUIDE PICK UP	1	SNA	D	
4	JC69-01369A	PAD-GUIDE PICK UP	1	SA	D	
5	JC66-01826A	ROLLER-DUPLEX	1	SNA	D	
6	JC61-01563A	SPRING ETC-DUP IDLE	3	SA	A	
7	JB61-00076A	SPRING ETC-TORSION DOC(CC2-F)	2	SA	B	
8	JC72-01248A	PMO-ACTUATOR DOC	2	SA	D	
9	0604-001095	PHOTO-INTERRUPTER	2	SA	A	
10	JC66-01860A	SHAFT-IDLE ROLLER	1	SNA	D	
11	JC66-01022B	ROLLER-M_IDLE SCF	4	SNA	A	
12	JC61-02351A	GUIDE PICK UP LOWER	1	SNA	D	
13	6003-000196	SCREW-TAPTITE	4	SA	B	

## 5.23 Exit Unit\_DADF

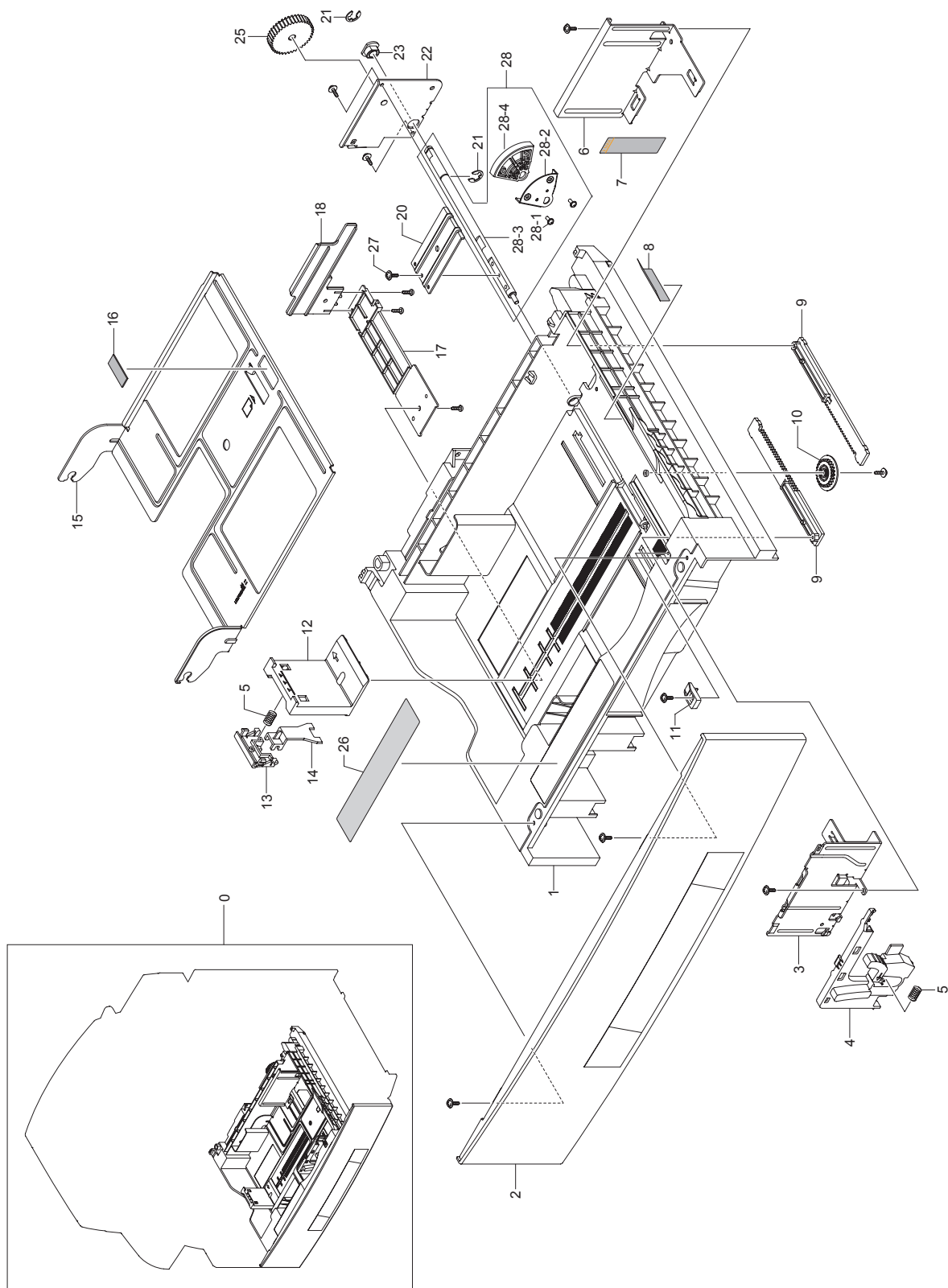


## Exit Unit\_DADF Parts List

SA : SERVICE AVAILABLE, SNA : SERVICE not AVAILABLE

Drawer#	SEC_Code	Description	QT'y	Service	Grade	Remark
0	JC97-03095A	MEA-EXIT	1	SA	D	
1	JC61-02349A	GUIDE-DUPLEX_INNER	1	SNA	D	
2	JC61-01563A	SPRING ETC-DUP IDLE	2	SA	A	
3	JC66-01860A	SHAFT-IDLE ROLLER	1	SNA	D	
4	JC66-01022B	ROLLER-M_IDLE SCF	4	SNA	A	
5	JC66-01826A	ROLLER-DUPLEX	1	SNA	D	
6	JC61-02353A	PLATE-DUPLEX LOWER	1	SNA	D	
7	6003-000196	SCREW-TAPTITE	2	SA	B	

## 5.24 Cassette

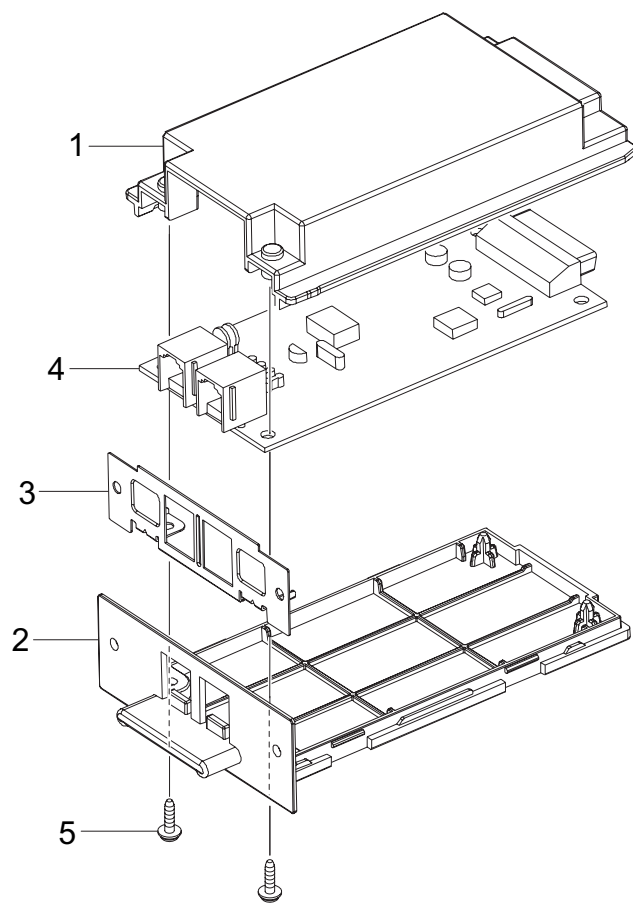
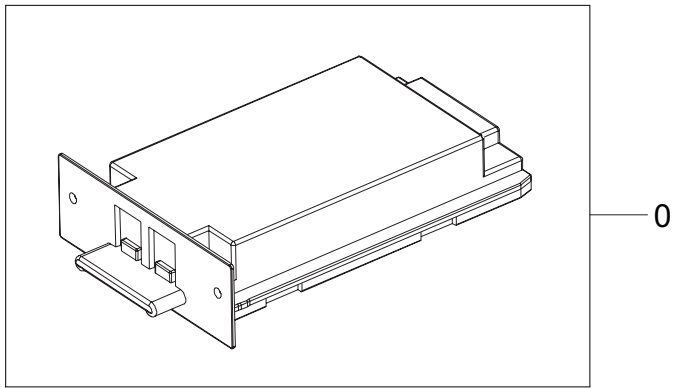


## Cassette Parts List

SA : SERVICE AVAILABLE, SNA : SERVICE not AVAILABLE

Drawer#	SEC_Code	Description	QT'y	Service	Grade	Remark
0	JC97-02273B	MEA UNIT-CASSETTE	1	SA	A	
1	JC61-01411B	FRAME-M_CASSETTE	1	SA	A	
2	JC63-00782B	COVER-CASSETTE	1	SNA	A	
3	JC61-01413A	GUIDE-P-SIDE LEFT	1	SA	D	
4	JC67-00123B	CAP-M_HANDLE LEFT	1	SNA	A	
5	JC61-00548A	SPRING ETC-WHITE BAR	2	SA	A	
6	JC61-01414A	GUIDE-P-SIDE RIGHT	1	SNA	D	
7	JC68-01621A	LABEL(R)-MAX FILL	1	SA	D	
8	JC63-00747A	SHEET-GUIDE RETARD	1	SA	D	
9	JC66-00956A	GEAR-M_RACK	2	SNA	D	
10	JC66-01020A	GEAR-M_PINION 24	1	SA	D	
11	JC61-00832A	STOPPER-M_KNOCK UP	1	SA	D	
12	JC61-01395B	GUIDE-REAR	1	SNA	A	
13	JC66-00202C	LEVER-LENTH HANDLE	1	SNA	A	
14	JC61-01304B	GUIDE-HOOK	1	SNA	A	
15	JC61-01412A	PLATE-P-KNOCK UP	1	SNA	D	
16	JC69-00494A	PAD-MP(PLUS)	1	SA	A	
17	JC61-01416A	SUPPORT-M_BAR PAPER	1	SNA	D	
18	JC61-01417A	SUPPORT-M_PUSH PAPER	1	SNA	D	
20	JC61-01322A	PLATE-P-LEVER	1	SNA	D	
21	6044-000231	RING-E	1	SA	A	
22	JC61-01394A	BRACKET-P-LIFTING	1	SNA	D	
23	JC61-00426A	BUSH-8/5	1	SA	D	
25	JC66-00955A	GEAR-M_LIFT COUPLING	1	SA	D	
26	JC68-01622B	LABEL-INSTALLATION	1	SNA	D	
27	6001-000130	SCREW-MACHINE	1	SA	A	
28	JC97-02836A	MEA UNIT-LIFTING GEAR	1	SA	A	
28-1	6002-000440	SCREW-TAPPING	2	SA	B	
28-2	JC61-01791A	PLATE-LIFTING GEAR	1	SNA	A	
28-3	JC66-00953A	SHAFT-PLATE LEVER	1	SNA	D	
28-4	JC66-00954A	GEAR-M_LIFTING	1	SA	D	

## 5.25 Fax Unit





## Fax Unit Parts List

SA : SERVICE AVAILABLE, SNA : SERVICE not AVAILABLE

Drawer#	SEC_Code	Description	QT'y	Service	Grade	Remark
0	JC96-05173A	ELA HOU-FAX; Option Unit	1	SA	-	
1	JC63-00822B	COVER-M_LIUUPPER	1	SNA	D	
2	JC63-00823B	COVER-M_LIUBOTTOM	1	SNA	D	
3	JC61-01396A	BRACKET-P_LIU	1	SNA	D	
4	JC92-01981A	PBA-FAX_PARALLE	1	SA	D	
5	6003-000196	SCREW-TAPTITE	2	SA	B	



## SCF Parts List

SA : SERVICE AVAILABLE, SNA : SERVICE not AVAILABLE

Drawer#	SEC_Code	Description	QT'y	Service	Grade	Remark
0	JC96-05221A	ELA UNIT-SCF; Option Unit	1	SNA	-	
1	JC61-01333A	FRAME-P_TOPSCF	1	SNA	D	
2	JC63-00771B	COVER-M_FRONTSCF	1	SNA	D	
3	JC61-01312A	PLATE-P-BEAM BASE	1	SNA	D	
4	JC61-01397B	BASE-M_LEFTSCF	1	SNA	D	
5	JC97-02290A	MEA UNIT-RETARD	1	SA	A	
5-1	JC61-01348A	BRACKET-P-RETARD	1	SNA	D	
5-2	JC66-00937A	SHAFT-RETARD S	1	SA	A	
5-3	JC66-00939A	SHAFT-LOCK	1	SA	A	
5-4	JC61-00423A	BUSH-6_D	1	SA	B	
5-5	6044-000125	RING-E	1	SA	A	
5-6	JC67-00126A	COUPLER-TORQUELIMITER	1	SA	B	
5-7	JC66-00976A	JOINT-M_RETARD	1	SA	D	
5-8	JC97-02259A	MEA UNIT-ROLLER PU	1	SA	A	
5-9	JC66-00938A	SHAFT-RETARD M	1	SNA	D	
5-10	JC61-01349A	BRACKET-P-BAR RETARD	1	SNA	D	
6	JC61-01398B	BASE-M_RIGHT SCF	1	SNA	D	
7	JC97-02275B	MEA UNIT-SCF DOOR	1	SA	D	
7-1	JC61-01327B	GUIDE-DOOR INNER	1	SNA	D	
7-2	JC64-00208B	HANDLE-DOOR	1	SNA	D	
7-3	JC61-01404A	BRACKET-P_HANDLE SCF	1	SNA	D	
7-4	6107-001206	SPRINGTS	1	SNA	D	
7-5	JC64-00204B	LOCKER-M_RIGHT	1	SNA	D	
7-6	JC64-00204A	LOCKER-M_LEFT	1	SNA	D	
7-7	JC61-70959B	SPRING FEED	1	SNA	D	
7-8	JC66-01022A	ROLLER-M_IDLE SCF	1	SNA	D	
7-9	JC66-00661A	SHAFT-EXIT IDLE	1	SA	D	
7-10	JC61-01328A	PLATE-P_GUIDE SCF	1	SNA	D	
8	JC63-00769B	COVER-M_DOOR SIDE SCF	1	SNA	D	
9	JC96-03558A	ELA HOU-PICK UP	1	SA	D	
10	JC61-01401A	HOUSING-M_PICKUP SCF	1	SNA	D	
11	JC61-01422A	HOLDER-M_ACT READY	1	SA	A	
12	JC61-01402A	LEG-M_ACT FEED SCF	1	SNA	#N/A	
13	6107-001262	SPRING-TS	1	SA	D	
14	JC61-00423A	BUSH-6_D	1	SA	B	
15	6044-000125	RING-E	1	SA	A	
16	JC66-02012A	ROLLER-FEED SCF	1	SNA	D	
17	JC66-01865A	CLUTCH-ELECRTIC	1	SNA	D	
20	6044-000159	RING-C	1	SA	B	

## SCF Parts List

SA : SERVICE AVAILABLE, SNA : SERVICE not AVAILABLE

Drawer#	SEC_Code	Description	QT'y	Service	Grade	Remark
21	JC63-00825A	GROUND-P_SHAFTSCF	1	SNA	D	
22	JC61-01326A	GUIDE-M_PUUPPERSCF	1	SNA	D	
23	JC63-00754A	SHEET-GUIDEFILMSCF	1	SA	D	
24	C61-01325A	GUIDE-M_PULOWERSCF	1	SNA	D	
25	JC61-01423A	BRACKET-P-ARM FRIC	1	SNA	D	
26	6107-001257	SPRING-ES	1	SA	D	
27	6107-001262	SPRING-TS	1	SNA	D	
28	JC66-00959A	LEVER-M_ARM FRICTION	1	SA	D	
29	6044-000125	RING-E	1	SA	A	
30	JC61-01400A	PLATE-P_LOCKER R	1	SNA	D	
31	6107-001257	SPRING-ES	1	SA	D	
32	JC61-01399A	PLATE-P_LOCKER L	1	SNA	D	
33	JC64-00207A	LOCKER-M_GRIPPIN	1	SNA	D	
34	JC63-00826A	GROUND-P_TOP	1	SA	D	
35	JC61-01403A	HOLDER-M_PIN	1	SNA	D	
36	JC66-01021A	SHAFT-PIN LOCK	1	SA	D	
37	JC96-03735A	ELA HOU-SIZE SENSOR	1	SA	D	
37-1	JC96-02127A	ELA HOU-CST SENSOR HAWK16	1	SA	D	
37-2	JC61-01343A	HOUSING-M_SIZE SENSOR	1	SA	D	
37-3	0604-001095	PHOTO-INTERRUPTER	1	SA	A	
37-4	JC63-00794A	GROUND-P-PAPER SIZE	1	SA	D	
37-5	JC39-00548A	CBFHARNES-SCF_TRAY	1	SNA	D	
38	JC39-00547A	CBFHARNES-SCF	1	SA	D	
39	JC67-00124A	CAP-M_GEAR FEED	1	SNA	D	
40	JC63-00824A	GROUND-P DOOR INNER	1	SNA	D	
43	0604-001095	PHOTO-INTERRUPTER	1	SA	A	
45	JC61-01324A	FRAME-P_REAR SCF	1	SNA	D	
46	JC70-11028A	IPR-GROUND TOP	1	SA	D	
47	JC61-01345A	HOLDER-M_CST L	1	SNA	D	
48	JC92-01697A	PBA SUB-SCF	1	SA	D	
49	6502-000132	CABLE CLAMP	1	SA	D	
50	JC31-00045A	MOTOR GEARED-P LIFT	1	SA	A	
51	JC61-01344A	HOLDER-M_CST R	1	SNA	D	
52	JC63-00833A	GROUND-P-SHAFT RETARD	1	SA	D	
53	JC66-00975A	GEAR-M_RETARD	1	SA	D	
54	JC66-00974A	GEAR-M_FORWARD	1	SA	D	
55	JC66-00973A	GEAR-M_PICKUP IDLE B	1	SA	D	
56	JC66-00994A	CLUTCH-5K Z32	1	SA	B	
57	6044-000125	RING-E	1	SA	A	

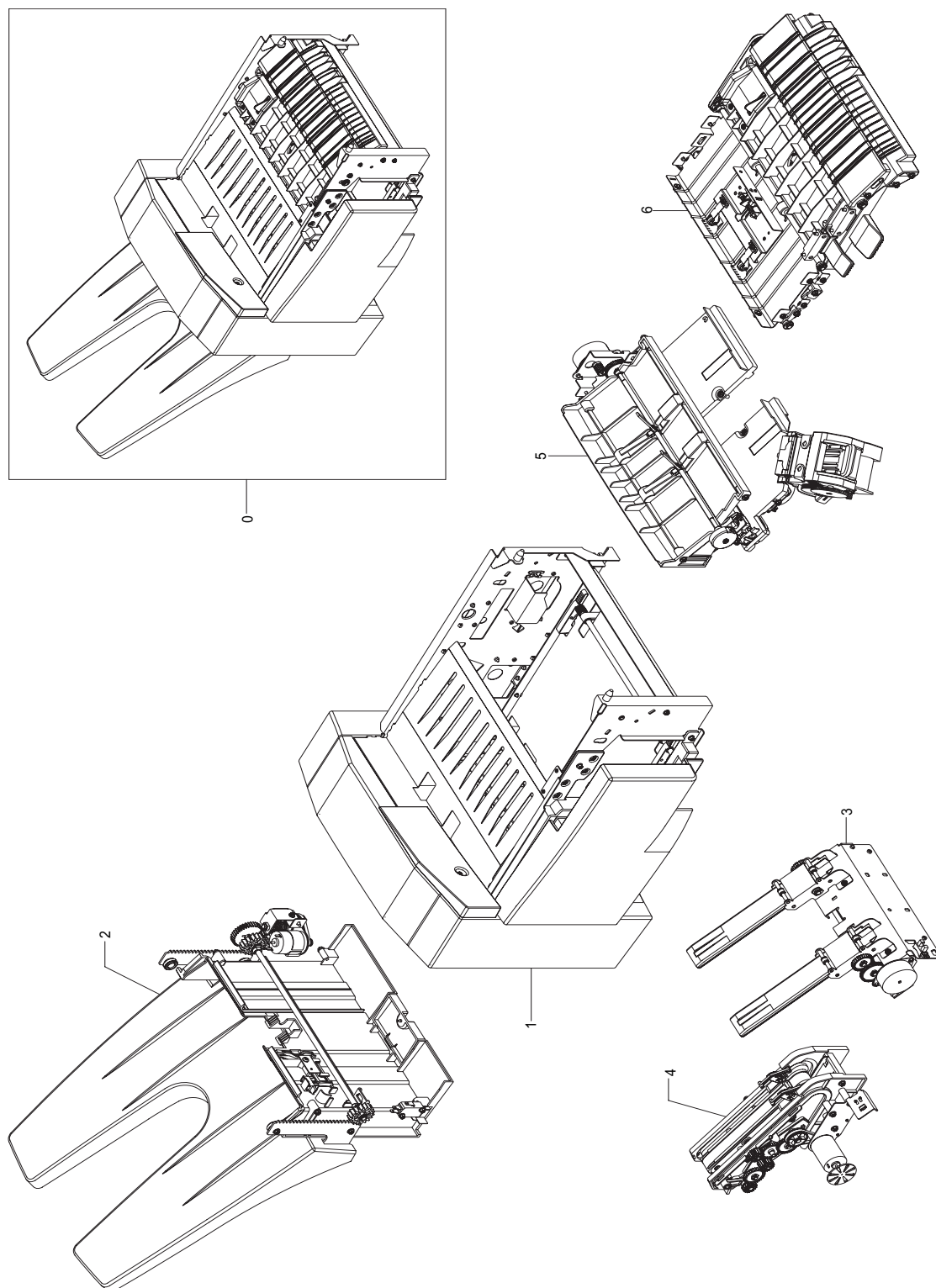
## SCF Parts List

SA : SERVICE AVAILABLE, SNA : SERVICE not AVAILABLE

Drawer#	SEC_Code	Description	QT'y	Service	Grade	Remark
58	JC96-05278A	ELA-HOU-DRIVE SCF	1	SA	D	
58-1	JC61-02704A	BRACKET-DRIVE SCF	1	SNA	D	
58-2	JC31-00028B	Motor Pickup SCF	1	SNA	D	
58-3	JC66-02011A	GEAR-FEED SCF	1	SNA	D	
58-4	6044-000125	RING-E	1	SA	A	
58-5	JC66-00965A	GEAR-M_FDIDLEASCF	1	SNA	D	
58-6	JC66-00967A	GEAR-M_PUIDLEASCF	1	SNA	D	
58-7	JC66-00968A	GEAR-M_PUIDLECSCF	1	SNA	D	
58-8	JC72-00825A	PMO-IMPELLER_DRV	1	SA	A	
59	JC63-00770B	COVER-M_REARSCF	1	SNA	D	
60	JC97-02273B	MEA UNIT-CASSETTE	1	SA	A	
61	JC61-01323A	FRAME-P_BOTTOMSCF	1	SNA	D	
62	JC61-40001A	FOOT-ML80	1	SA	A	
63	JC39-00461A	HARNESS-SCF_FEED	1	SNA	D	
64	JC39-00463A	HARNESS-GATE_NEAR	1	SA	D	
65	JC39-00549A	CBFHARNESS-SCF_CLUT	1	SNA	D	
66	6009-001390	SCREW-SPECIAL	1	SNA	D	
67	6003-000221	SCREW-TAPTITE	1	SA	D	
68	JC39-00462A	HARNESS-SCF_EMPTY	1	SA	D	
69	JC39-00477A	HARNESS-MOTOR_SW	1	SA	D	

## 5.27 FINISHER UNIT (Optional Unit)

### 5.27-1 Main Finisher

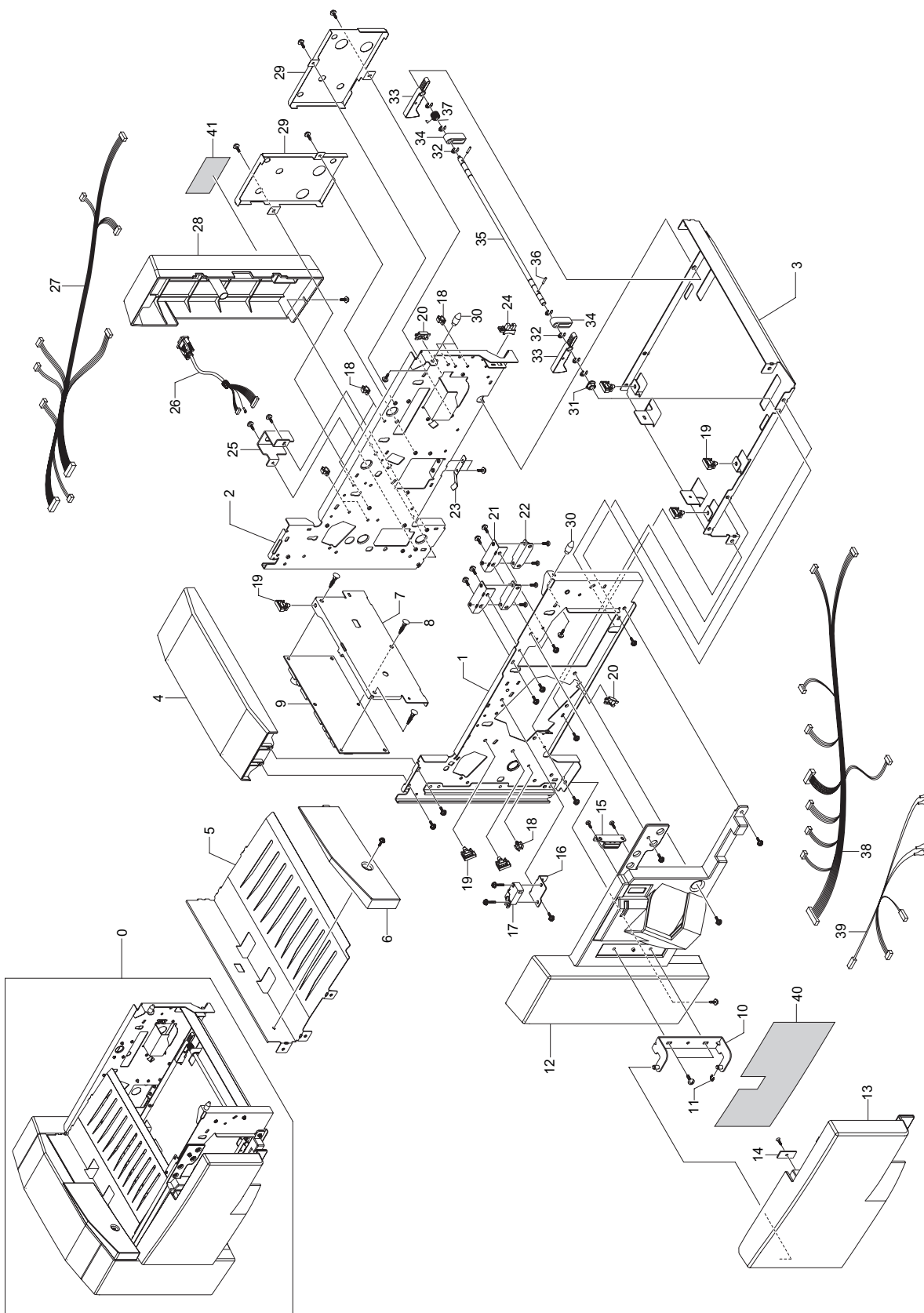


## Main\_Finisher Parts List

SA : SERVICE AVAILABLE, SNA : SERVICE not AVAILABLE

Drawer#	SEC_Code	Description	QT'y	Service	Grade	Remark
0	JC96-03908C	ELA HOU-FINISHER; Option Unit	1	SNA	D	
1	-	FRAME UNIT	1	SNA	D	
2	-	STACKER UNIT	1	SNA	D	
3	-	EXTENTION TRAY UNIT	1	SNA	D	
4	JC81-03773A	EJECTOR UNIT	1	SA	A	
5	-	COMPILE UNIT	1	SNA	D	
6	-	FEED UNIT	1	SNA	D	

## 5.27-2 Frame Unit





## Frame Unit Parts List

SA : SERVICE AVAILABLE, SNA : SERVICE not AVAILABLE

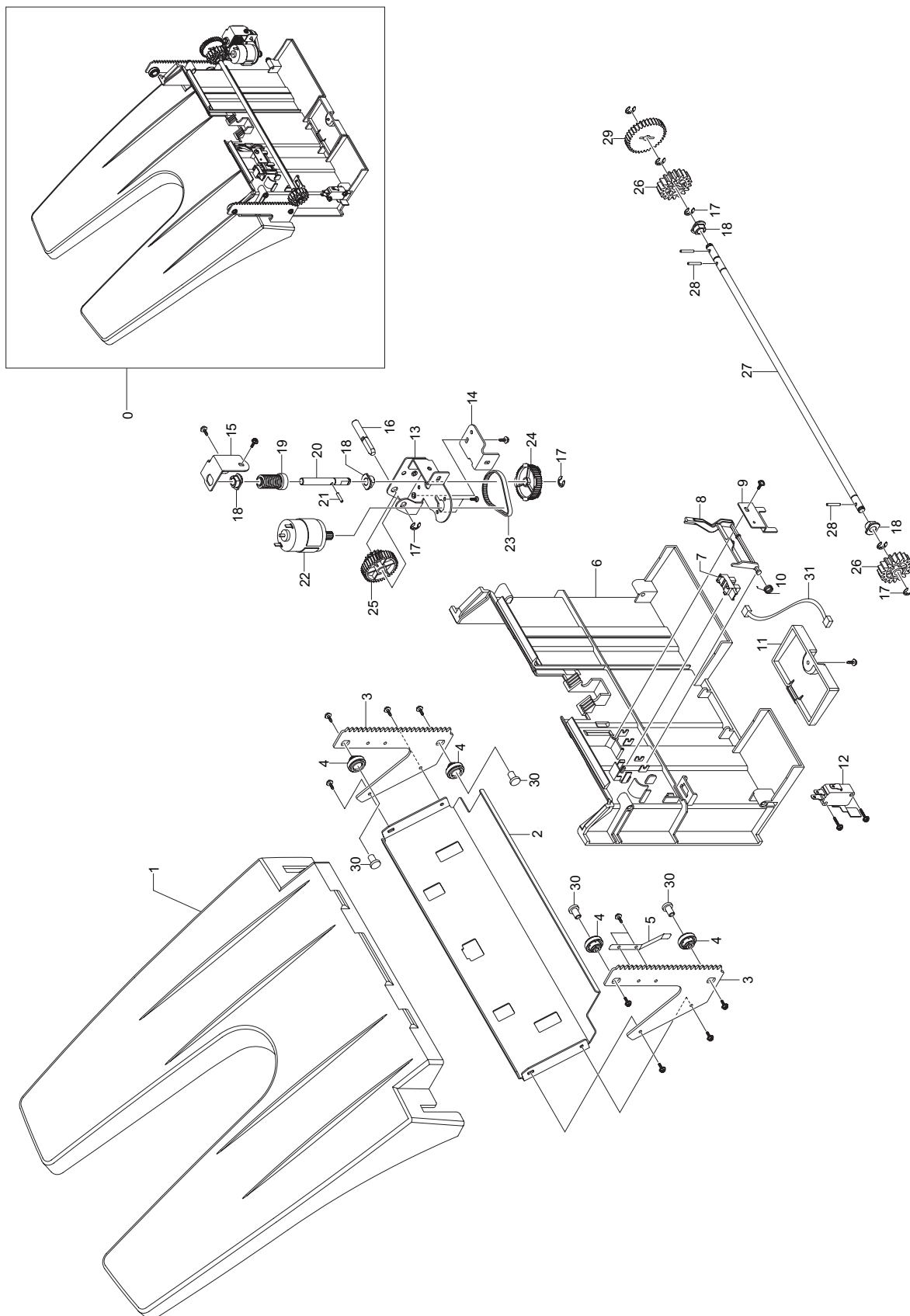
Drawer#	SEC_Code	Description	QT'y	Service	Grade	Remark
0	-	FRAME UNIT	1	SNA	D	
1	-	ASSY:SIDE PLATE:FRONT	1	SNA	D	
2	-	ASSY:SIDE PLATE:REAR	1	SNA	D	
3	-	BASE:LOWER	1	SNA	D	
4	JC81-03487B	AS-COVER TOP	1	SA	A	
5	-	STAY:DUPLEX GUIDE	1	SNA	D	
6	JC81-03767B	AS-COVER SCAN DUMMY	1	SA	A	
7	-	BKT:MAIN PCB	1	SNA	D	
8	-	BUTTON LOCKING SUPPORT:BLSS12	1	SNA	D	
9	JC81-03467A	AS-PCB MAIN ASSY	1	SA	A	
10	-	ASSY:HINGE:DOOR	1	SNA	D	
11	-	E-RING:Φ4	1	SNA	D	
12	JC81-03768B	AS-COVER FRONT	1	SA	A	
13	JC81-03488B	AS-COVER DOOR ASSY	1	SA	A	
13-1	-	COVER-DOOR	1	SNA	D	
13-2	-	HANDLE-DOOR	1	SNA	D	
13-3	-	LABEL-STAPLE REPLACE	1	SNA	D	
13-4	-	MAGNET CATCH PLATE:12x26	1	SNA	D	
13-5	-	SCREW-TAPTITEFH,+,B,M3,L8	1	SNA	D	
15	JC81-03468A	AS-MAGNET ASSY	1	SA	A	
16	-	BKT:INTER LOCK:DOOR OPEN	1	SNA	D	
17	JC81-03469A	AS-SWITCH MICRO	1	SA	A	
18	-	MICRO WIRE SADDLE	1	SNA	D	
19	-	SIDE LOCKING SADDLE	1	SNA	D	
20	-	COVER SADDLE:DS-1	1	SNA	D	
21	-	BKT:MAGNET:GUIDE	1	SNA	D	
23	-	LEAF SPRING:EARTH	1	SNA	D	
24	0604-001095	PHOTO-INTERRUPTER	1	SA	B	
26	JC81-03470A	AS-MH INTER FACE ASSY	1	SA	A	
27	-	ASSY:M/H:REAR FRAME	1	SNA	D	
28	JC81-03490B	AS-COVER REAR	1	SA	A	
29	-	BKT:COVER:REAR	1	SNA	D	
30	-	STUD:SET	1	SNA	D	
31	JC61-00423A	BUSH-6_D	1	SA	B	
32	-	E-RING:Φ4	1	SNA	D	
33	-	HOOK:INSTALL	1	SNA	D	
34	-	GUIDE:SET	1	SNA	D	
35	-	SHAFT:HOOK:SET	1	SNA	D	
36	-	PARALLEL PIN:Φ2x10	1	SNA	D	

## Frame Unit Parts List

SA : SERVICE AVAILABLE, SNA : SERVICE not AVAILABLE

Drawer#	SEC_Code	Description	QT'y	Service	Grade	Remark
37	-	T-SPRING:HOOK:SET	1	SNA	D	
38	-	ASSY:M/H:FRONT FRAME	1	SNA	D	
39	-	ASSY:M/H:INTER LOCK	1	SNA	D	
40	-	RATING-LABEL	1	SNA	D	

### 5.27-3 Stacker Unit

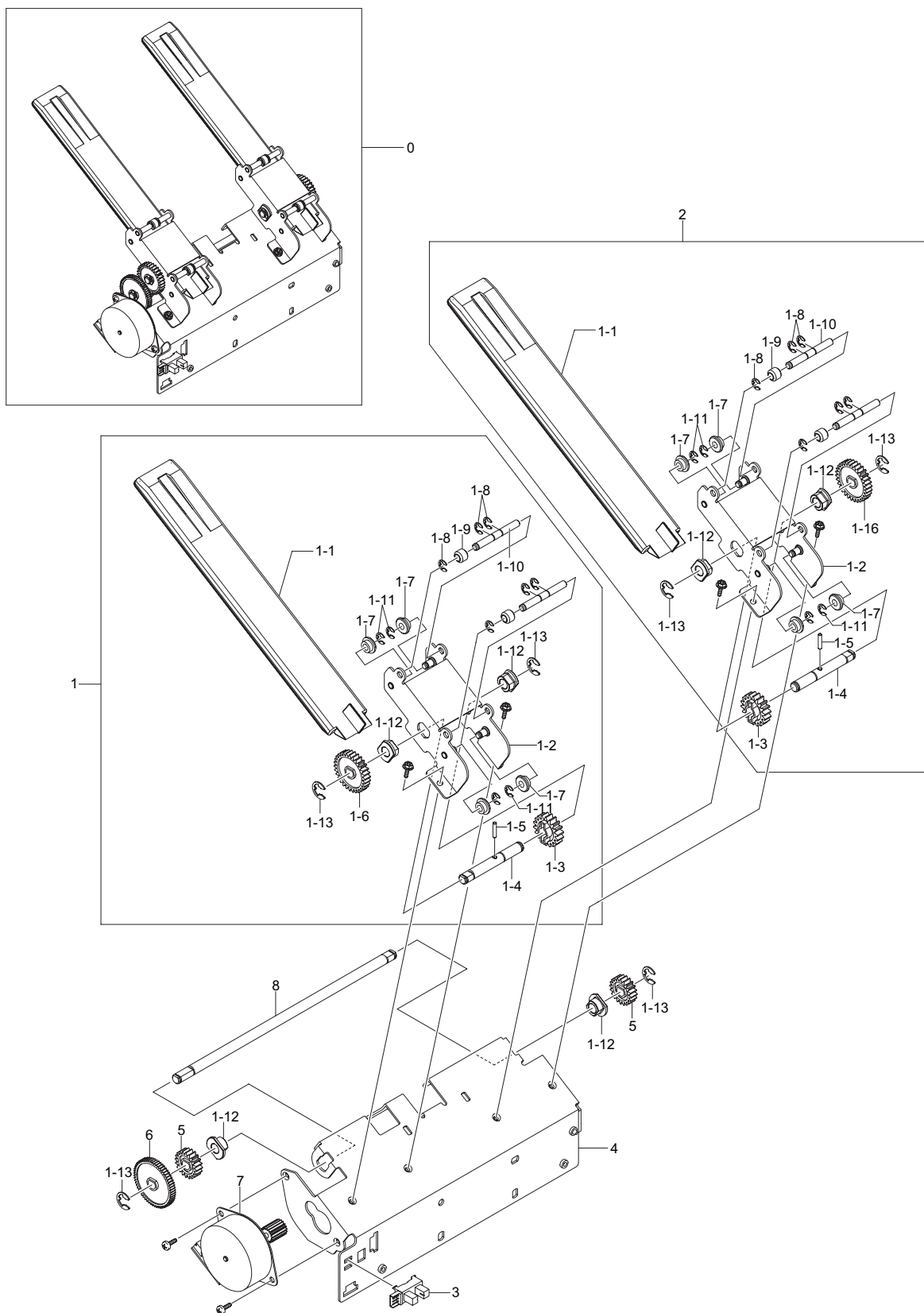


## Stacker Unit Parts List

SA : SERVICE AVAILABLE, SNA : SERVICE not AVAILABLE

Drawer#	SEC_Code	Description	QT'y	Service	Grade	Remark
0	-	STACKER UNIT	1	SNA	D	
1	JC81-03472B	AS-TRAY STACKER	1	SA	A	
2	-	STAY:STACKER	1	SNA	D	
3	-	SIDE FRAME:STACKER	1	SNA	D	
4	-	ROLLER:STACKER	1	SNA	D	
5	-	LEAF SPRING:EARTH	1	SNA	D	
6	-	SHIELD:STACKER	1	SNA	D	
7	0604-001095	PI SENSOR:GP1S73P2	1	SA	A	
8	-	ACTUATOR:STACKER	1	SNA	D	
9	-	BKT:SENSOR	1	SNA	D	
10	-	T-SPRING:ACTUATOR:STACK	1	SNA	D	
11	-	COVER:PCB	1	SNA	D	
12	JC81-03471A	AS-MS STACKER ASSY	1	SA	A	
13	-	BKT:MOTOR:STACKER	1	SNA	D	
14	-	BKT:SUPPORT:MORTOR	1	SNA	D	
15	-	BKT:WORM:STACK	1	SNA	D	
16	-	SHAFT:WORM WHEEL	1	SNA	D	
17	-	E-RING:4	1	SNA	D	
18	JC61-00423A	BUSH-6_D	1	SA	B	
19	JC81-03489A	AS-WORM STACKER	1	SA	B	
20	-	SHAFT:WORM	1	SNA	D	
21	-	PARALLEL PIN:210	1	SNA	D	
22	JC81-03484A	AS-MOTOR DC	1	SA	B	
23	JC81-03525A	AS-BELT STACKER	1	SA	B	
24	JC81-03491A	AS-PULLEY S2M48T	1	SA	B	
25	JC81-03524A	AS-W_WHEEL STACKER	1	SA	B	
26	JC81-03492A	AS-GEAR PINION18T	1	SA	B	
27	-	SHAFT:STACKER:DRIVE	1	SNA	D	
28	-	PARALLEL PIN:214	1	SNA	D	
29	JC81-03523A	AS-GEAR SPUR Z35	1	SA	B	
30	-	STUD:STACKER:LIFT	1	SNA	D	
31	-	ASSY:M/H:STK TOP SNR	1	SNA	D	

### 5.27-4 Extension Tray Unit

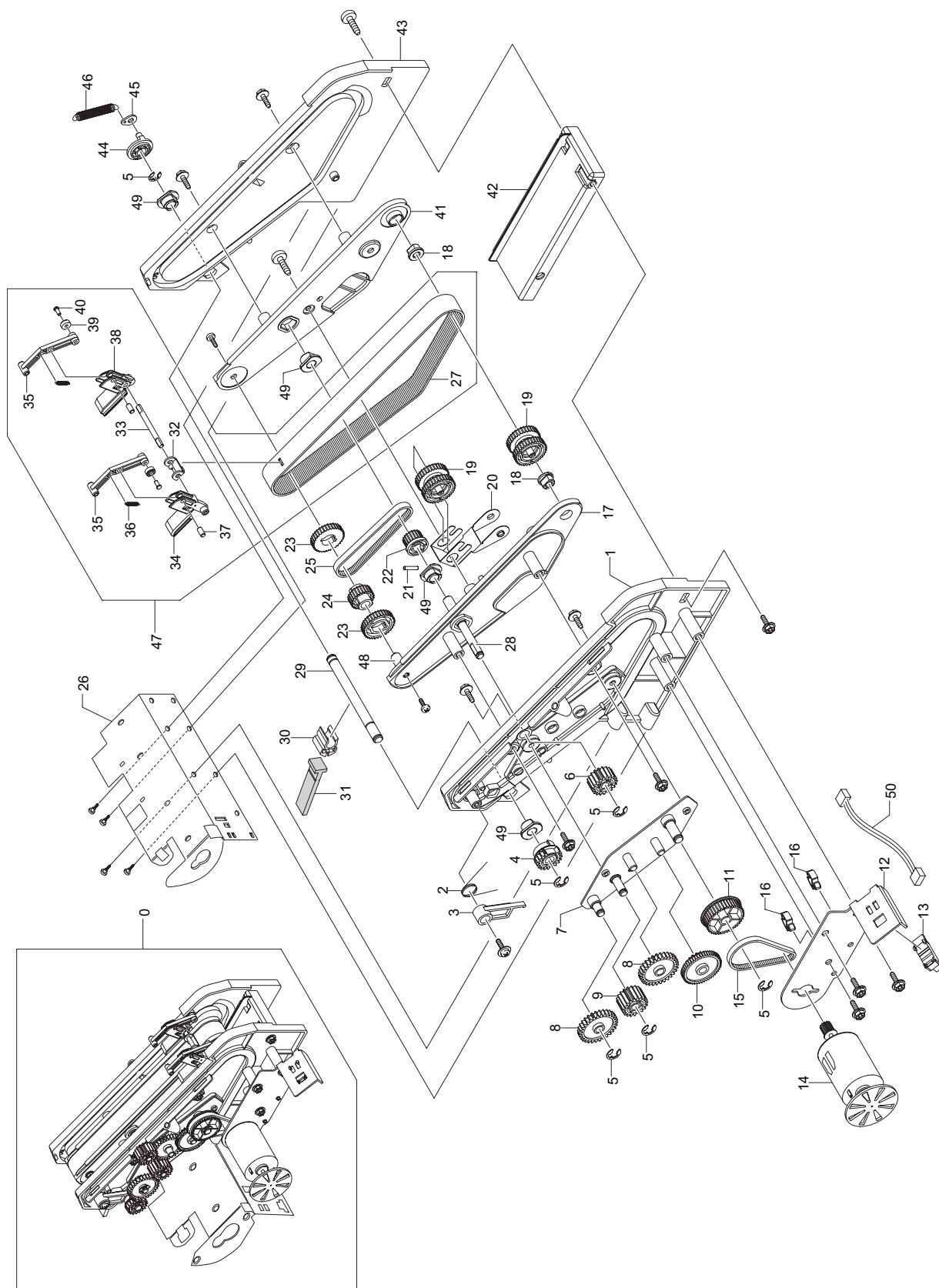


## Extension Tray Unit Parts List

SA : SERVICE AVAILABLE, SNA : SERVICE not AVAILABLE

Drawer#	SEC_Code	Description	QT'y	Service	Grade	Remark
0	-	EXTENTION TRAY UNIT	1	SNA	D	
1	JC81-03769B	AS-SUPP FINGER ASSY_F	1	SA	B	
1-1	JC81-03483B	AS-TRAY BERO	1	SA	B	
1-2	-	BKT:TRAY:BERO:ASSY	1	SNA	D	
1-3	JC81-03494A	AS-RACK PINION Z18	1	SA	B	
1-4	-	SHAFT:RACK PINION	1	SNA	D	
1-5	-	PARALLEL PIN:2x10	1	SNA	D	
1-6	JC81-03521A	AS-GEARZ30	1	SA	B	
1-7	-	ROLLER:BERO:LOWER	1	SNA	D	
1-8	-	E-RING:2.5	1	SNA	D	
1-9	-	ROLLER:BERO:UPPER	1	SNA	D	
1-10	-	SHAFT:ROLLER:BERO	1	SNA	D	
1-11	-	E-RING:3	1	SNA	D	
1-12	JC61-00423A	BUSH-6_D	1	SA	B	
1-13	-	E-RING:4	1	SNA	D	
2	JC81-03770A	AS-SUPP FINGER ASSY_R	1	SA	B	
2-1-1	JC81-03483A	AS-TRAY BERO	1	SA	B	
2-1-2	-	BKT:TRAY:BERO:ASSY	1	SNA	D	
2-1-3	JC81-03494A	AS-RACK PINION Z18	1	SA	B	
2-1-4	-	SHAFT:RACK PINION	1	SNA	D	
2-1-5	-	PARALLEL PIN:2x10	1	SNA	D	
2-1-6	JC81-03521A	AS-GEAR Z30	1	SA	B	
2-1-7	-	ROLLER:BERO:LOWER	1	SNA	D	
2-1-8	-	E-RING:2.5	1	SNA	D	
2-1-9	-	ROLLER:BERO:UPPER	1	SNA	D	
2-1-10	-	SHAFT:ROLLER:BERO	1	SNA	D	
2-1-11	-	E-RING:3	1	SNA	D	
2-1-12	JC61-00423A	BUSH-6_D	1	SA	B	
2-1-13	-	E-RING:4	1	SNA	D	
3	0604-001095	PHOTO-INTERRUPTER	1	SA	B	
4	-	FRAME:BERO	1	SNA	D	
5	JC81-03493A	AS-GEAR Z20	1	SA	B	
6	JC81-03522A	AS-GEAR Z60	1	SA	B	
7	JC81-03473A	AS-MOTOR PM ASSY Z18	1	SA	B	
8	-	SHAFT:TRANS:BERO	1	SNA	D	
8-1-12	JC61-00423A	BUSH-6_D	1	SA	B	
8-1-13	-	E-RING:4	1	SNA	D	

## 5.27-5 EjectorUnit



## EjectorUnit Parts List

SA : SERVICE AVAILABLE, SNA : SERVICE not AVAILABLE

Drawer#	SEC_Code	Description	QT'y	Service	Grade	Remark
0	JC81-03773A	AS-EJECTOR UNIT ASSY	1	SA	B	
1	-	FRMAE:FRONT:EJECT	1	SNA	D	
2	-	T-SPRING:LATCH:SCU	1	SNA	D	
3	-	HOOK:CAM:EJECT	1	SNA	D	
4	JC81-03526A	AS-GEAR CAM SCU	1	SA	B	
5	-	E-RING:4	1	SNA	D	
6	JC81-03495A	AS-SPUR GEAR Z19	1	SA	B	
7	-	ASSY:BKT:DRIVING:EJECT	1	SNA	D	
8	JC81-03504A	AS-SPUR GEAR Z30	1	SA	B	
9	JC81-03503A	AS-SPUR GEAR Z19 SCU	1	SA	B	
10	JC81-03502A	AS-GEAR M08Z19M05Z50	1	SA	B	
11	JC81-03501A	AS-PULLEY S2MT40M05T24	1	SA	B	
12	-	BKT:DC MOTOR:EJECT	1	SNA	D	
13	0604-001095	PI SENSOR:GP1S73P2	1	SA	A	
14	JC81-03474A	AS-MOTOR EJECT	1	SA	B	
15	C81-03500A	AS-BELT B35S2M118J	1	SA	B	
16	-	MICRO WIRE SADDLE	1	SNA	D	
17	-	FRAME:BELT:EJECT:FRONT	1	SNA	D	
18	JC61-00424A	BUSH-4_D	1	SA	B	
19	C81-03499A	AS-PULLEY S2M34TJ	1	SA	B	
20	-	PLATE SPRING:TIGHTNER:EJECT	1	SNA	D	
21	-	PARALLEL PIN:2x10	1	SNA	D	
22	JC81-03498A	AS-PULLEY S2M20T	1	SA	B	
23	JC81-03497A	AS-PULLEY DRVS2M34T	1	SA	B	
24	JC81-03496A	AS-PULLEY S2M25T	1	SA	B	
25	JC81-03513A	AS-BELT B35S2M144	1	SA	B	
26	-	FRAME:BERO	1	SNA	D	
27	JC81-03512A	AS-BELT ASSY EJECT	1	SA	B	
27-1	-	BELT-EJECT B130S2M370	1	SNA	D	
27-2	-	HOLER-BELT EJECT	1	SNA	D	
28	-	SHAFT:BELT TRANS:EJECT	1	SNA	D	
29	-	SHAFT:SCU	1	SNA	D	
30	-	HOLDER:SCU	1	SNA	D	
31	-	PADDLE:SCU	1	SNA	D	
32	-	ASSY:M/H:EXT TRAY HOME SNR	1	SNA	D	
33	-	SHAFT D-CUT:GRIP HINGE:EJECT	1	SNA	D	
34	-	GRIP BASE:FRONT:EJECT	1	SNA	D	
35	-	GRIP LINK:EJECT	1	SNA	D	
36	-	E-SPRING:GRIP	1	SNA	D	

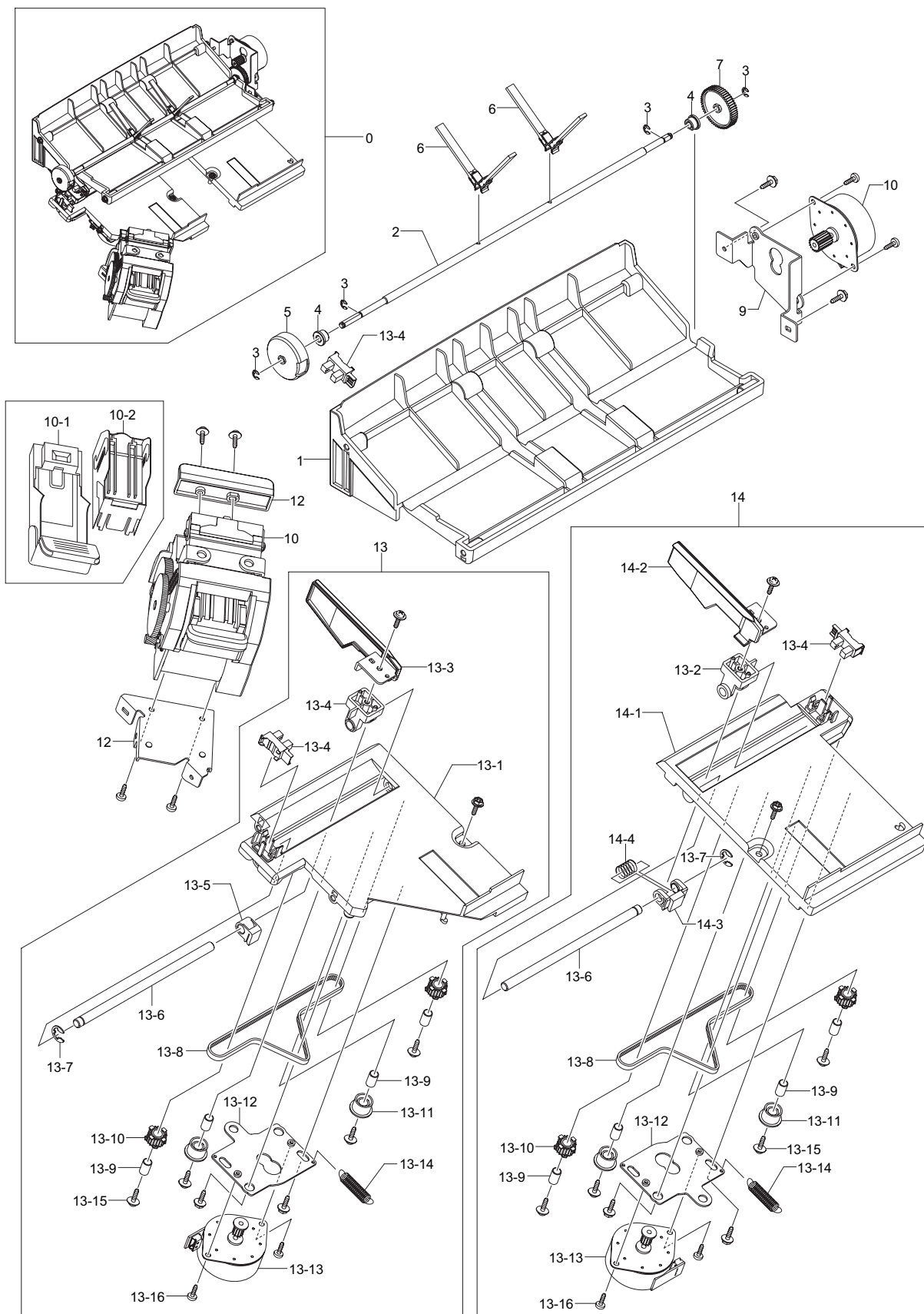


## EjectorUnit Parts List

SA : SERVICE AVAILABLE, SNA : SERVICE not AVAILABLE

Drawer#	SEC_Code	Description	QT'y	Service	Grade	Remark
37	-	SHAFT:GRIP HINGE:EJECT	1	SNA	D	
38	-	GRIP BASE:REAR:EJECT	1	SNA	D	
39	-	ROLLER:GRIP:EJECT	1	SNA	D	
40	-	PIN:ROLLER:EJECT	1	SNA	D	
41	-	FRAME:BELT:EJECT:REAR	1	SNA	D	
42	-	FRAME:RETURN:EJECT	1	SNA	D	
43	-	FRAME:REAR:EJECT	1	SNA	D	
44	-	ROTATOR:CAM:SCU	1	SNA	D	
45	-	HOOK:SPRING:SCU	1	SNA	D	
46	-	E-SPRING:CLUTCH:SCU	1	SNA	D	
47	JC81-03772A	AS-EJT BELT SUBASSY	1	SA	B	
48	-	SHAFT:BELT PULLEY:EJECT	1	SNA	D	
49	JC61-00423A	BUSH-6_D	1	SA	B	

### 5.27-6 Compile Unit

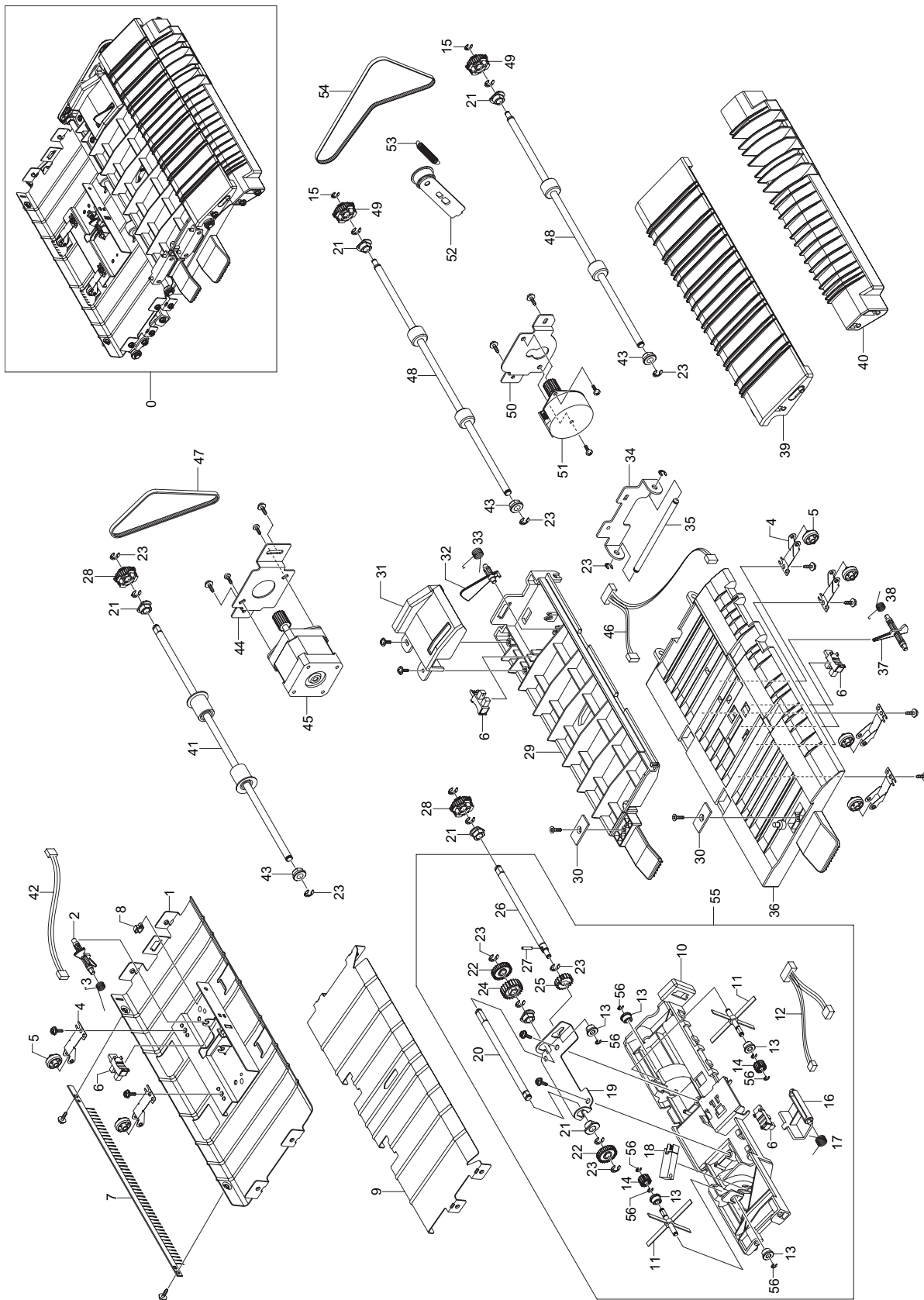


## Compile Unit Parts List

SA : SERVICE AVAILABLE, SNA : SERVICE not AVAILABLE

Drawer#	SEC_Code	Description	QT'y	Service	Grade	Remark
0	-	COMPILE UNIT	1	SNA	D	
1	-	COVER:COMPILE:UPPER	1	SNA	D	
2	-	SHAFT:PADDLE	1	SNA	D	
3	-	E-RING:3	1	SNA	D	
4	JC61-00424A	BUSH-4_D	1	SA	B	
5	-	ACTUATOR:HOME:PADDLE	1	SNA	D	
6	JC81-03482A	AS-PADDLE COMPILE	1	SA	B	
7	JC81-03510A	AS-GEAR PADDLE Z56	1	SA	B	
8	-	BKT:MOTOR:PADDLE	1	SNA	D	
9	JC81-03473A	AS-MOTOR PM ASSY Z18	1	SA	B	
10	JC81-03475A	AS-STAPLER ASSY EH-C590	1	SA	B	
10-1	JC81-03481A	AS-CARTRIDGE STAPLER No.590X	1	SA	B	
10-2	JC81-03476A	AS-STAPLES REFILL No.505XW	1	SA	B	
11	-	GUIDE:STAPLER	1	SNA	D	
12	-	BASEBKT:STAPLER	1	SNA	D	
13	JC81-03511B	AS-FRONT JOGGER ASSY	1	SA	B	
13-1	-	FRAME:COMPILE:FRONT	1	SNA	D	
13-2	-	LMBUSH:TAMPER	1	SNA	D	
13-3	-	SIDEFENCE:TAMPER:FRONT	1	SNA	D	
13-4	0604-001095	PHOTO-INTERRUPTER	1	SA	A	
13-5	-	HOLDER:BELT:TAMPER:FRONT	1	SNA	D	
13-6	-	LM SHAFT:TAMPER	1	SNA	D	
13-7	-	E-RING:4	1	SNA	D	
13-8	JC81-03509A	AS-BELT B40S2M290	1	SA	B	
13-9	-	HOLLOW SHAFT:D_6	1	SNA	D	
13-10	JC81-03508A	AS-PULLEY T20 TAMPER	1	SA	B	
13-11	-	ROLLER:TAMPER	1	SNA	D	
13-12	-	BKT:MOTOR:TAMPER	1	SNA	D	
13-13	JC81-03486A	AS-MOTOR PM ASSY S2M12T	1	SA	D	
13-14	-	E-SPRING:TIGHTNER:TAMPER	1	SNA	D	
13-15	-	SCREW-TAPTITE M3L10	1	SNA	D	
13-16	-	SCREW-TAPPING M3L8	1	SNA	D	
14	JC81-03507B	AS-REAR JOGGER ASSY	1	SA	B	
14-1	-	FRAME:COMPILE:REAR	1	SNA	D	
14-2	-	SIDE FENCE:TAMPER:REAR	1	SNA	D	
14-3	-	HOLDER:BELT:TAMPER:REAR	1	SNA	D	
14-4	-	C-SPRING:TAMPER	1	SNA	D	
15	-	DAMPER-SPONGE	1	SNA	D	

### 5.27-7 Feed Unit



## Feed Unit Parts List

SA : SERVICE AVAILABLE, SNA : SERVICE not AVAILABLE

Drawer#	SEC_Code	Description	QT'y	Service	Grade	Remark
0	-	FEED UNIT	1	SNA	D	
1	-	GUIDE:EXIT:UPPER:ASSY	1	SNA	D	
2	-	ACTUATOR:FEED	1	SNA	D	
3	-	T-SPRING:ACTUATOR:FEED	1	SNA	D	
4	-	LEAF SPRING:FEED	1	SNA	D	
5	-	ROLLER:IDLE:FEED	1	SNA	D	
6	0604-001095	PHOTO-INTERRUPTER	1	SA	A	
7	JC67-00125A	ANTI-STATIC BRUSH	1	SA	B	
8	-	MICRO WIRE SADDLE	1	SNA	D	
9	-	GUIDE:EXIT:LOWER	1	SNA	D	
10	-	GUIDE:COMPILE	1	SNA	D	
11	JC81-03506A	AS-PADDLE SUB ASSY	1	SA	B	
12	-	ASSY:M/H:EJEC THOMESNR	1	SNA	D	
13	JC61-00424A	BUSH-4_D	1	SA	B	
14	JC81-03505A	AS-GEAR P □ Z18M05	1	SA	B	
15	-	E-RING:3	1	SNA	D	
16	-	ACTUATOR:EJECTOR	1	SNA	D	
17	-	T-SPRING:ACTUATOR:EJECT	1	SNA	D	
18	JC81-03480A	AS-SENSOR PHOTO	1	SA	B	
19	-	BKT:PADDLE:SUB	1	SNA	D	
20	-	SHAFT:TRANS:SUB PADDLE	1	SNA	D	
21	-	BUSH-6_D	1	SNA	D	
22	JC81-03520A	AS-GEAR SUB PDL Z34	1	SA	B	
23	-	E-RING:4	1	SNA	D	
24	JC81-03519A	AS-GEAR SUB PDL Z22	1	SA	B	
25	JC81-03518A	AS-GEAR SUB PDL Z18M08	1	SA	B	
26	-	SHAFT:TRANS:SUB PADDLE:FEED	1	SNA	D	
27	-	PARALLEL PIN:2x10	1	SNA	D	
28	JC81-03517A	AS-PULLEY T30S2M	1	SA	B	
29	-	GUIDE:OPEN:DUPLEX	1	SNA	D	
30	-	MAGNET CATCHPLATE:12x26	1	SNA	D	
31	-	COVER:ACTUATOR:DUPLEX	1	SNA	D	
32	-	ACTUATOR:DUPLEX	1	SNA	D	
33	-	T-SPRING:ACTUATOR:DUPLEX	1	SNA	D	
34	-	BKT:HINGE:GUIDE	1	SNA	D	
35	-	SHAFT:HINGE:GUIDE	1	SNA	D	
36	-	GUIDE:OPEN	1	SNA	D	
37	-	ACTUATOR:FEED	1	SNA	D	

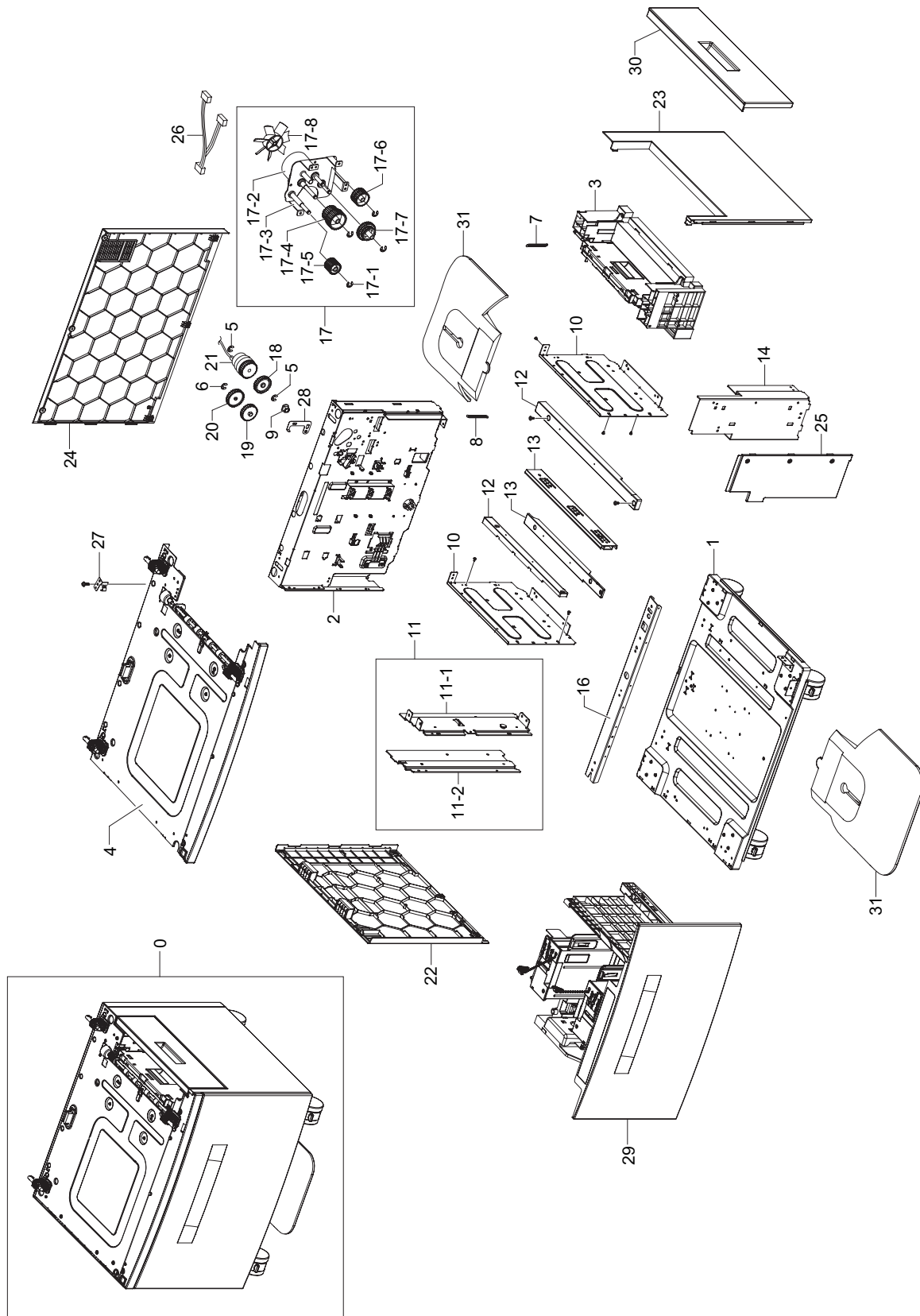
## Feed Unit Parts List

SA : SERVICE AVAILABLE, SNA : SERVICE not AVAILABLE

Drawer#	SEC_Code	Description	QT'y	Service	Grade	Remark
38	-	T-SPRING:ACTUATOR:STACK	1	SNA	D	
39	-	GUIDE:ENTRANCE:UPPER	1	SNA	D	
40	-	GUIDE:ENTRANCE:LOWER	1	SNA	D	
41	JC81-03477A	AS-ROLLER EXIT	1	SA	B	
42	-	ASSY:M/H:EXIT SNR	1	SNA	D	
43	-	BEARING:6	1	SNA	D	
44	-	BKT:MOTOR:FEED:EXIT	1	SNA	D	
45	JC81-03479A	AS-MOTOR HB ASSY	1	SA	B	
46	-	ASSY:M/H:MID SNR	1	SNA	D	
47	JC81-03516A	AS-BELT B30S2M244	1	SA	B	
48	JC81-03485A	AS-ROLLERENT	1	SA	B	
49	JC81-03515A	AS-PULLEY T33S2M	1	SA	B	
50	-	BKT:MOTOR:FEED:ENT	1	SNA	D	
51	JC81-03478A	AS-MOTOR PM ASSY	1	SA	B	
52	-	ASSY:BKT:TIGHTNER	1	SNA	D	
53	-	E-SPRING:TIGHTNER:FEED	1	SNA	D	
54	JC81-03514A	AS-BELT B30S2M354 ENT	1	SA	B	
55	JC81-03771A	AS-FEED UNIT ASSY	1	SA	B	
56	-	E-RING:2.5	1	SNA	D	

## 5.28 HCF UNIT (Optional Unit)

### 5.28-1 ELA HOU-HCF



## ELA HOU-HCF Parts List

SA : SERVICE AVAILABLE, SNA : SERVICE not AVAILABLE

Drawer#	SEC_Code	Description	QT'y	Service	Grade	Remark
0	JC96-04852A	ELA HOU-HCF	1	SA	D	
1	-	SUB PLATE-BOTTOM_HCF	1	SNA	D	
2	-	SUB UNIT-REAR_HCF	1	SNA	D	
3	JC81-06298A	AS-UNIT FRAME RIGHT	1	SA	B	
4	-	ELA HOU-UPPER_HCF	1	SNA	D	
5	6044-000125	RING-E, ID4	2	SA	A	
6	6044-000159	RING-C, ID3	1	SA	B	
7	6107-001258	SPRING-ES	1	SA	A	
8	6107-001259	SPRING-ES	1	SA	A	
9	JC61-00423A	BUSH-6D	2	SA	B	
10	-	PLATE-BEAM_HCF	2	SNA	D	
11	-	MEA UNIT-LEFT_HCF	1	SNA	D	
11-1	-	PLATE-SUP LEFT	1	SNA	D	
11-2	-	PLATE-SUP BRKT L	1	SNA	D	
12	-	GUIDE-RAIL SIDE_HCF	2	SNA	D	
13	-	GUIDE-RAIL_HCF	1	SNA	D	
14	-	PLATE-SUP RIGHT	1	SNA	D	
15	JC81-06067A	AS-SLIDE RAIL HCF	1	SA	B	
16	JC61-01312A	PLATER-P_BEAM BASE	1	SNA	B	
17	JC96-05278A	ELA HOU-SCF DRIVE	1	SA	B	
17-1	6044-000231	RINGE-E	4	SA	A	
17-2	JC31-00028B	MOTOR PICKUP SCF	1	SA	B	
17-3	JC61-02704A	BRACKET-SCF DRIVE	1	SA	B	
17-4	JC66-00965A	GEAR-M_FD IDLE A SCF	1	SA	B	
17-5	JC66-02011A	GEAR-FEED SCF	1	SA	B	
17-6	JC66-00967A	GEAR-M_PU IDLE A SCF	1	SA	B	
17-7	JC66-00968A	GEAR-M_PU IDLE C SCF	1	SA	B	
17-8	JC72-00825A	PMO-IMPELLER_DRV	1	SA	A	
18	JC66-00973A	GEAR-M_PICKUP IDLE B	1	SA	B	
19	JC66-00974A	GEAR-M_FORWARD	1	SA	B	
20	JC66-00975A	GEAR-M_RETARD	1	SA	B	
21	JC66-00994A	CLUTCH-5K Z32	1	SA	B	
22	-	COVER-LEFT_HCF	1	SNA	D	
23	-	COVER-RIGHT_HCF	1	SNA	D	
24	-	COVER-REAR_HCF	1	SNA	D	
25	-	COVER-RIGHT_FRONT	1	SNA	D	
26	JC39-00549A	CBF HARNESS-SCF_CLUT	1	SA	B	
27	JC63-00824A	GROUND-P-DOOR INNER	1	SA	B	
28	JC63-00833A	GROUND-P-SHAFT RETARD	1	SA	B	

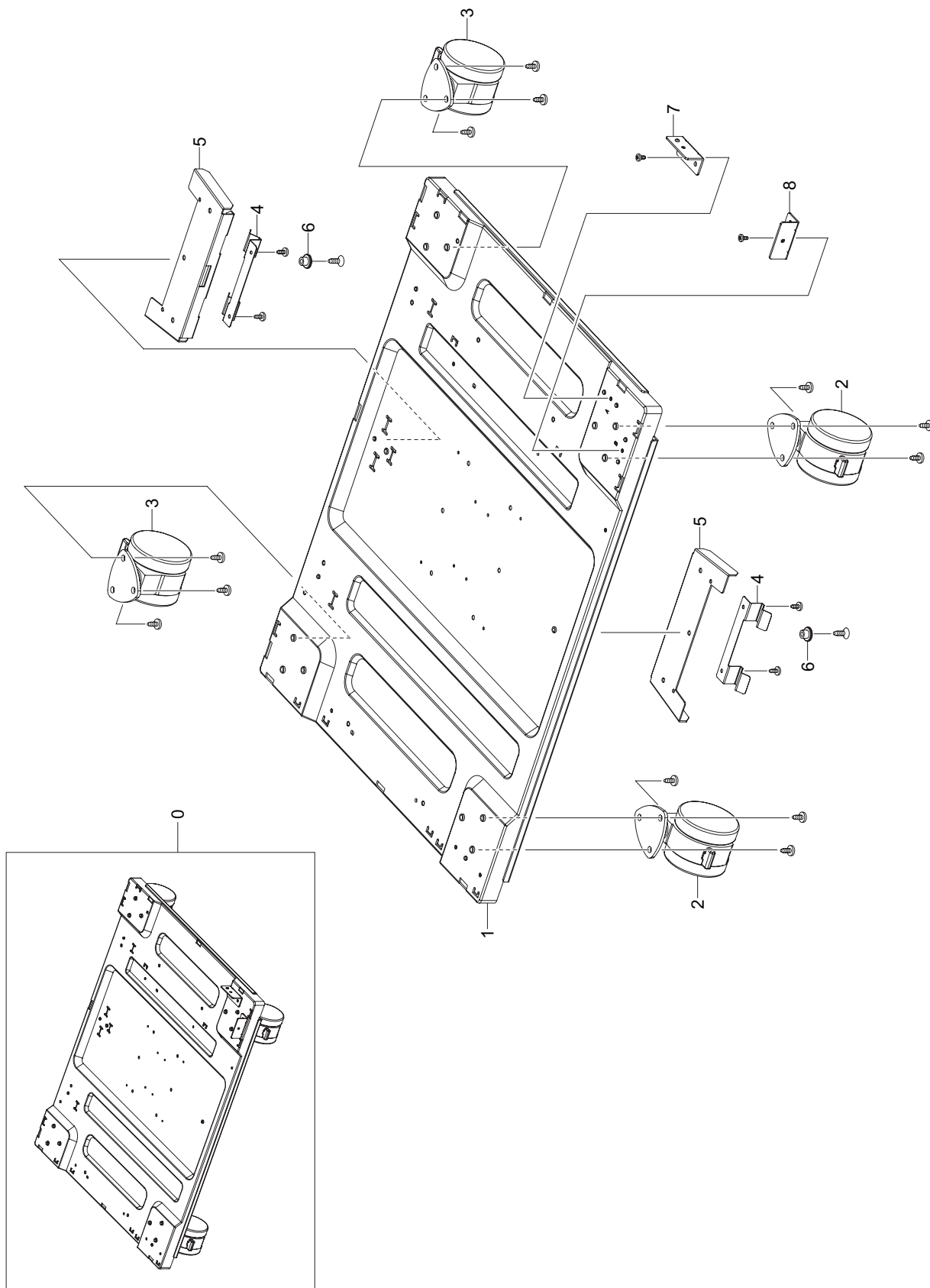


## ELA HOU-HCF Parts List

SA : SERVICE AVAILABLE, SNA : SERVICE not AVAILABLE

Drawer#	SEC_Code	Description	QT'y	Service	Grade	Remark
29	JC81-06068A	AS- UNIT CASSETTE HCF	1	SA	B	
30	JC63-00769B	COVER-M_DOOR SIDE SCF	1	SA	B	
31	-	STABILITY FOOT-SMALL	2	SNA	D	
32	-	RUBBER-DROP	3	SNA	D	
33	JC67-00328A	CAP-CLUTCH SCF	1	SNA	B	

## 5.28-2 SUB PLATE-BOTTOM

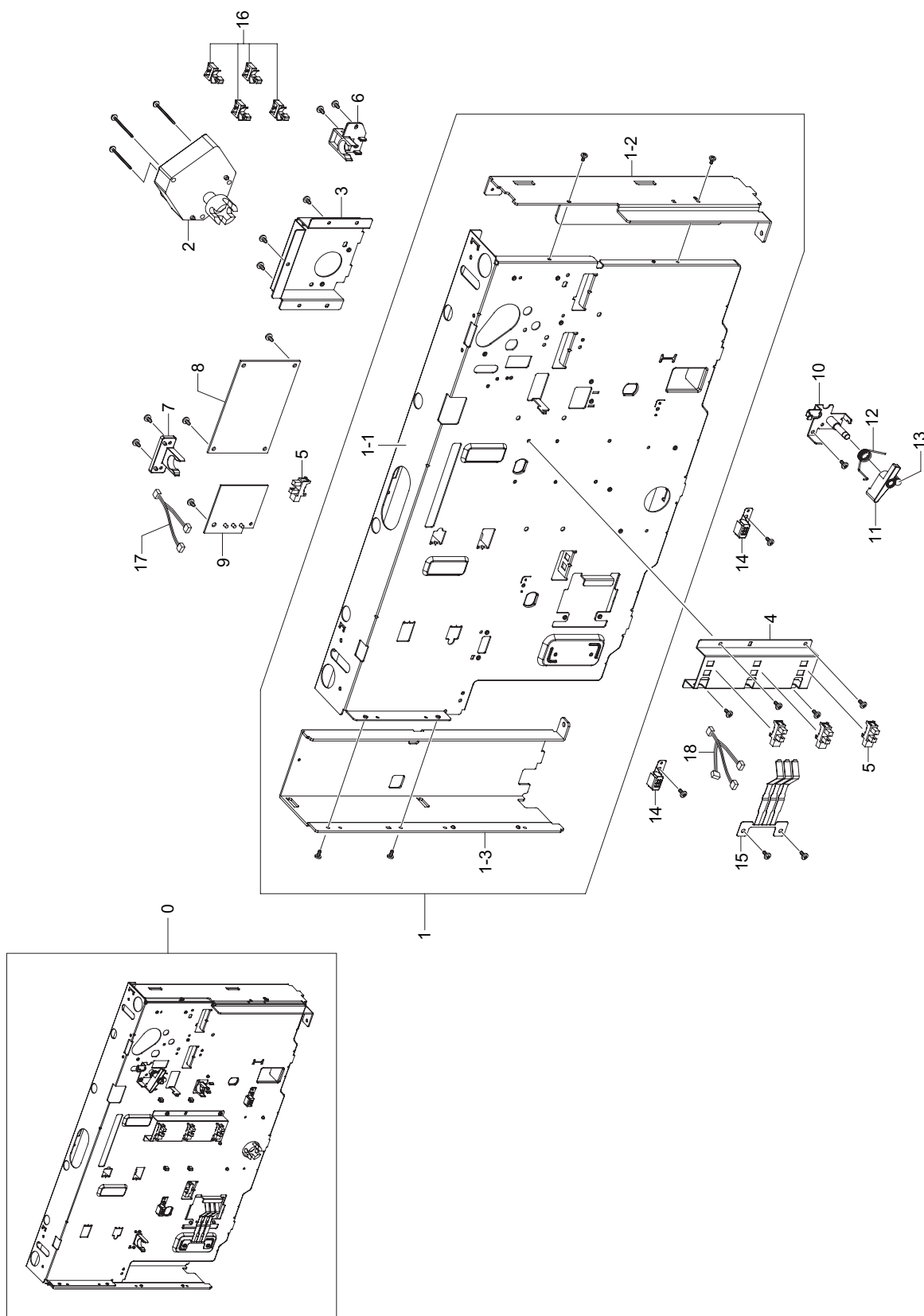


## SUB PLATE-BOTTOM Parts List

SA : SERVICE AVAILABLE, SNA : SERVICE not AVAILABLE

Drawer#	SEC_Code	Description	QT'y	Service	Grade	Remark
0	-	SUB PLATE-BOTTOM_HCF	1	SNA	D	
1	-	PLATE-BOTTOM HCF	1	SNA	D	
2	JC81-06304A	CASTER (FIX)	2	SA	B	
3	JC81-06305A	CASTER	2	SA	B	
4	-	SPRING CLIP	2	SNA	D	
5	-	STABILISER BRACKET SPRING CLIP	2	SNA	D	
6	-	LOCATING BUSH	2	SNA	D	
7	-	PLATE-BRKT A	1	SNA	D	
8	-	PLATE-BRKT B	1	SNA	D	

### 5.28-3 SUB UNIT-REAR

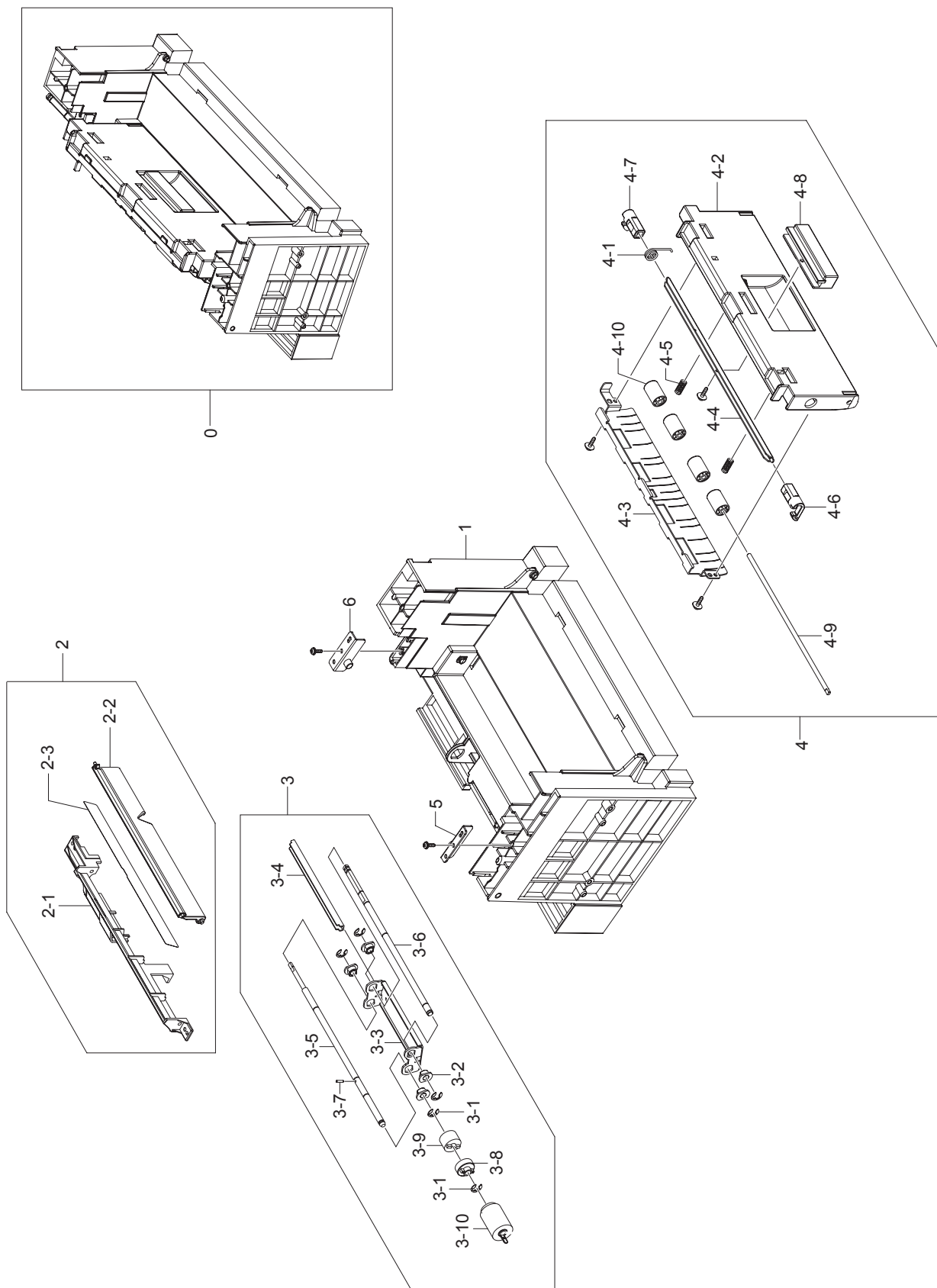


## SUB UNIT-REAR Parts List

SA : SERVICE AVAILABLE, SNA : SERVICE not AVAILABLE

Drawer#	SEC_Code	Description	QT'y	Service	Grade	Remark
0	-	SUB UNIT-REAR_HCF	1	SNA	D	
1	-	MEA UNIT-REAR_HCF	1	SNA	D	
1-1	-	PLATE-REAR HCF	1	SNA	D	
1-2	-	PLATE-REAR RIGHT	1	SNA	D	
1-3	-	PLATE-REAR LEFT	1	SNA	D	
2	JC31-00109A	AS-MOTOR GEARED	1	SA	B	
3	-	PLATE-MOTOR GEARED	1	SNA	D	
4	-	PLATE-PAPER LEVEL	1	SNA	D	
5	0604-001095	PHOTO-INTERRUPTER	4	SA	A	
6	JC61-01344A	HOLDER-M_CST R	1	SNA	B	
7	JC61-01345A	HOLDER-M_CST L	1	SNA	B	
8	JC92-01697A	PBA SUB-SCF	1	SA	B	
9	JC92-01336A	PBA SUB-CASSETTE	1	SA	B	
10	JC61-01423A	BRACKET-P-ARM FRIC	1	SNA	B	
11	JC66-00959A	LEVER-M_ARM FRICTION	1	SA	B	
12	6107-001263	SPRING-TS	1	SNA	B	
13	6044-000125	RING-E	1	SA	B	
14	JC61-01423A	IPR-GROUND-TOP	2	SNA	B	
15	JC66-00959A	IPR-PLATE SENSOR	1	SA	B	
16	6107-001263	CABLE CLAMP	4	SNA	B	
17	JC39-00548A	CBF HARNESS HCF TRAY	1	SNA	B	
18	-	PAPER-LEVER HARNESS	1	SNA	D	

## 5.28-4 AS-UNIT FRAME RIGHT

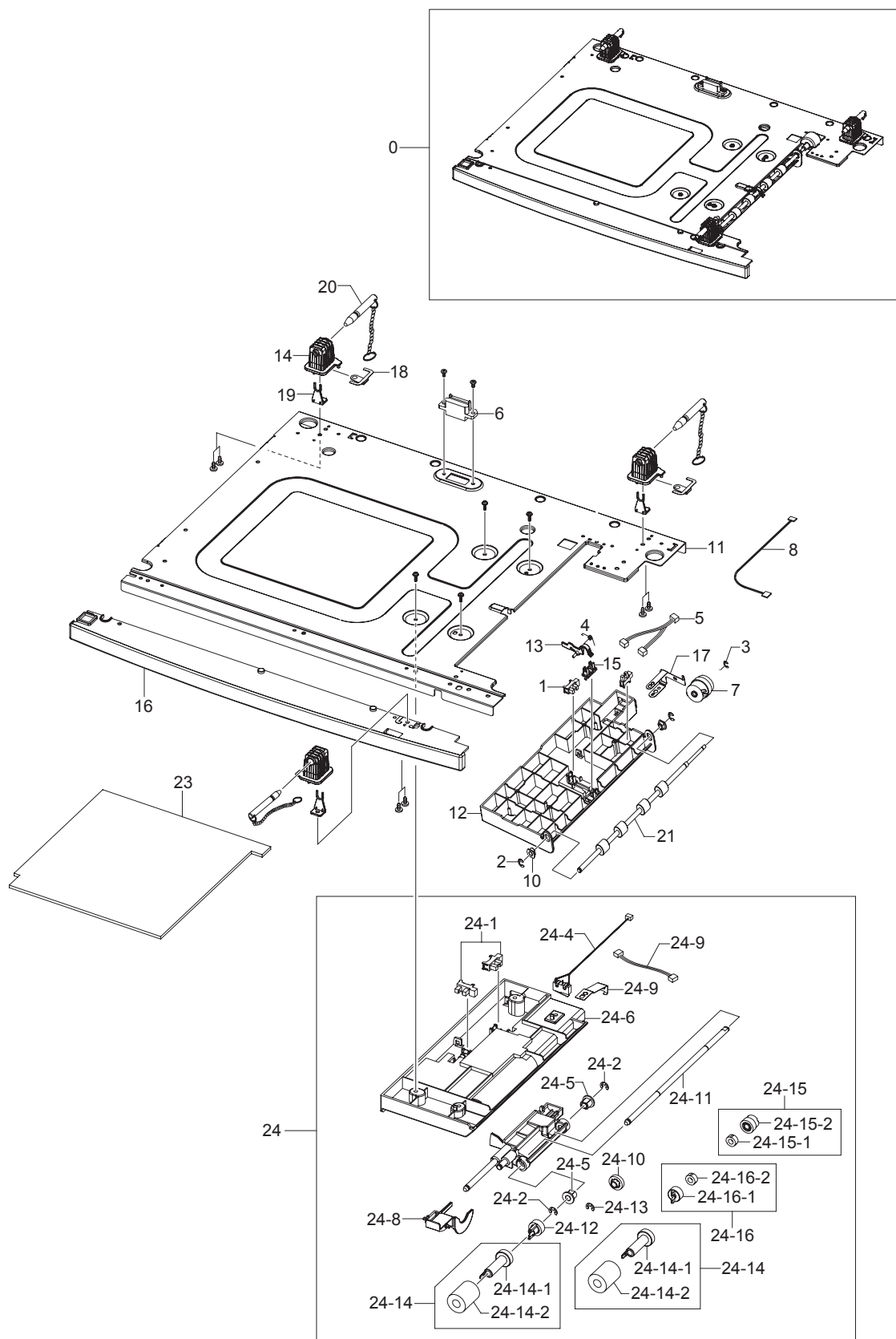


## AS-UNIT FRAME RIGHT Parts List

SA : SERVICE AVAILABLE, SNA : SERVICE not AVAILABLE

Drawer#	SEC_Code	Description	QT'y	Service	Grade	Remark
0	JC81-06298A	AS-UNIT FRAME RIGHT	1	SA	B	
1	-	FRAME-RIGHT_HCF	1	SNA	D	
2	JC97-02284A	MAE UNIT-GUIDE PU SCF	1	SNA	B	
2-1	JC61-01325A	GUIDE-M_PU LOWER SCF	1	SNA	B	
2-2	JC61-01326A	GUIDE-M_PU UPPER SCF	1	SNA	B	
2-3	JC63-00754A	SHEET-GUIDE FILM SCF	1	SA	B	
3	JC97-02290A	MEA UINT-RETARD	1	SA	B	
3-1	6044-000125	RING-E, ID4	5	SA	A	
3-2	JC61-00423A	BUSH-6D	4	SA	B	
3-3	JC61-01348A	BRACKET-P-RETARD	1	SNA	D	
3-4	JC61-01349A	BRACKET-P_BAR RETARD	1	SNA	D	
3-5	JC66-00937A	SHAFT-RETARD S	1	SA	A	
3-6	JC66-00938A	SHAFT-RETARD M	1	SNA	D	
3-7	JC66-00939A	SHAFT-LOCK	1	SA	A	
3-8	JC66-00976A	JOINT-M_RETARD	1	SA	D	
3-9	JC67-00126A	COUPLER-TORQUE LIMITER	1	SA	B	
3-10	JC97-02259A	MEA UNIT-ROLLER PU	1	SA	A	
4	JC97-02275B	MEA UNIT-SCF DOOR	1	SA	D	
4-1	6107-001206	SPRING TS	1	SNA	D	
4-2	JC61-01327B	GUIDE-DOOR INNER	1	SNA	D	
4-3	JC61-01328A	PLATE-P_GUIDE SCF	1	SNA	D	
4-4	JC61-01404A	BRACKERT-P_HANDLE SCF	1	SNA	D	
4-5	JC61-70959B	SPRING ETC-FEED	2	SNA	B	
4-6	JC64-00204A	LOCKER-LEFT	1	SNA	B	
4-7	JC64-00204B	LOCKER-RIGHT	1	SNA	B	
4-8	JC64-00208B	HANDLE-M_DOOR	1	SNA	B	
4-9	JC66-00661A	SHAFT-EXIT IDLE	1	SNA	B	
4-10	JC66-01022A	ROLLER-M_IDLE SCF	4	SNA	B	
5	JC61-01399A	PLATE-P_LOCKER L	1	SNA	B	
6	JC61-01400A	PLATE-P_LOCKER R6	1	SNA	B	

## 5.28-5 ELA HOU-UPPER





## ELA HOU-UPPER Parts List

SA : SERVICE AVAILABLE, SNA : SERVICE not AVAILABLE

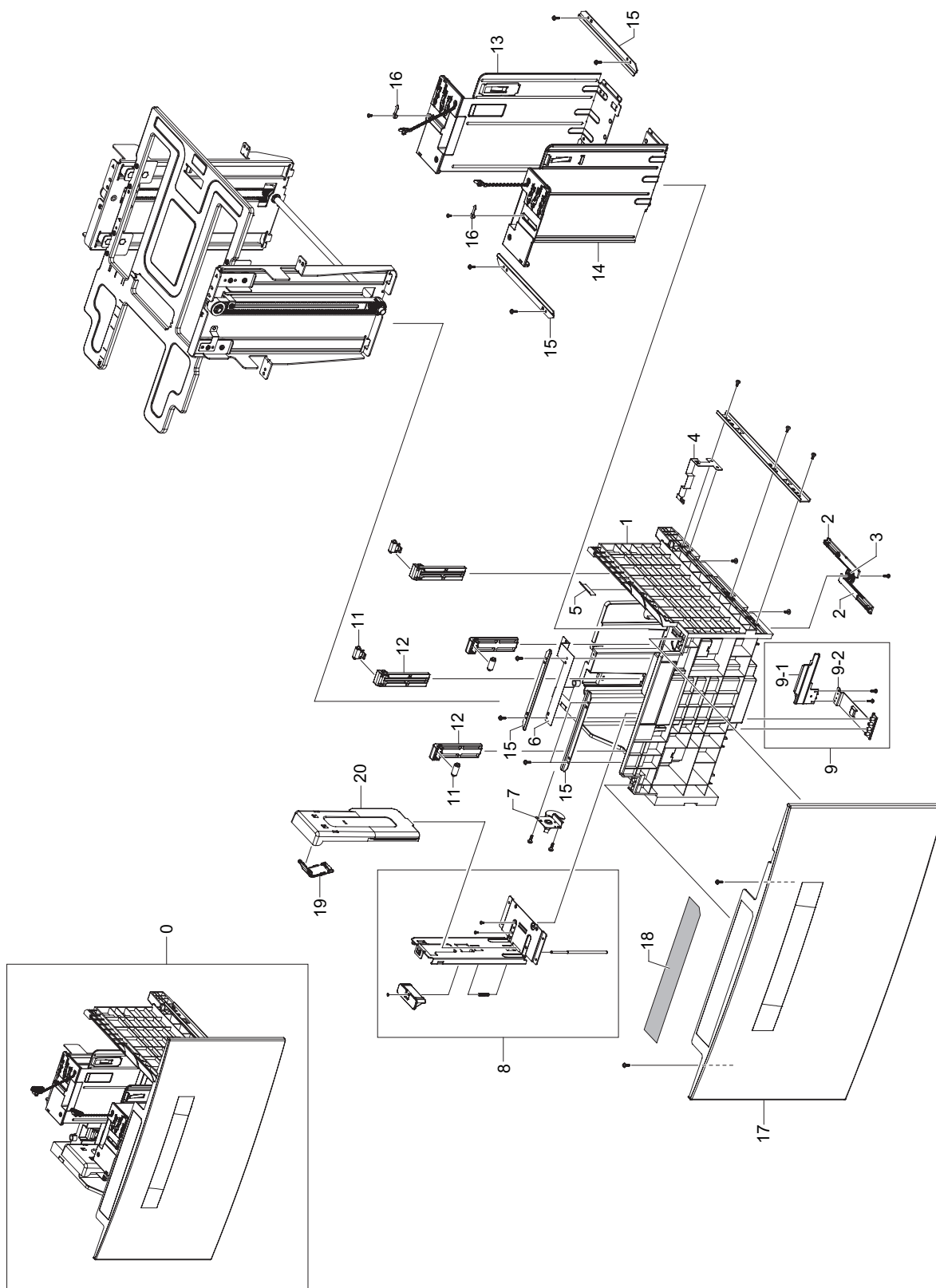
Drawer#	SEC_Code	Description	QT'y	Service	Grade	Remark
0	-	ELA HOU-UPPER_HCF	1	SNA	D	
1	0604-001095	PHOTO-INTERRUPTER	2	SA	A	
2	6044-000125	RING-E, ID4	2	SA	A	
3	6044-000159	RING-C, ID3	1	SA	B	
4	6107-001261	SPRING-TS	1	SA	A	
5	JC39-00461A	CBF HARNESS-SCF_FEED	1	SA	D	
6	JC39-00547A	CBF HARNESS-SCF	1	SA	D	
7	JC66-01865A	CLUTCH-ELECTRIC	1	SA	D	
8	JC39-00721A	HARNESS-SCF_CLT	1	SA	D	
10	JC61-00423A	BUSH-6_D	2	SA	B	
11	-	PLATE-TOP_HCF	1	SNA	D	
12	JC61-01401A	HOUSING-M_PICKUP SCF	1	SA	D	
13	JC61-01402A	LEG-M_ACT FEED SCF	1	SA	D	
14	JC61-01403A	HOLDER-M_PIN	3	SA	D	
15	JC61-01403A	HOLDER ACTUATOR SCF	1	SA	D	
16	JC63-00771B	COVER-M_FRONT SCF	1	SA	D	
17	JC63-00825A	GROUND-P_SHAFT SCF	1	SA	D	
18	JC63-00826A	GROUND-P_TOP	2	SA	D	
19	JC64-00207A	LOCKER-M_GRIP PIN	3	SA	D	
20	JC66-01021A	SHAFT-PIN LOCK	3	SA	D	
21	JC66-02012A	ROLLER-FEED SCF	1	SA	D	
23	-	SPONGE-TOP	1	SNA	D	
24	JC96-03558A	ELA UNIT PICKUP	1	SA	D	
24-1	0604-001095	PHOTO-INTERRUPTER	2	SA	A	
24-2	6044-000125	RING-E, ID4	2	SA	A	
24-3	-	HCF_EMPTY HARNESS	1	SNA	D	
24-4	JC39-00477A	HARNESS-MOTOR_SW	1	SA	D	
24-5	JC61-00884A	BUSH 6D L	2	SNA	D	
24-6	JC61-01298A	FRAME-M_BASE PICK UP	1	SNA	D	
24-7	JC61-01299A	GUIDE-M_UPPER PICK UP	1	SNA	A	
24-8	JC61-01350A	LEG-M_ACT NO PAPER	1	SNA	A	
24-9	JC63-00743A	GROUND-P_SHAFT PU	1	SNA	D	
24-10	JC66-00940A	GEAR-M_IDLE PU	1	SA	D	
24-11	JC66-00942A	SHAFT-PICKUP	1	SNA	D	
24-12	JC66-00943A	GEAR-M_PU JOINT	1	SA	D	
24-13	6044-000159	RING-E, ID3	1	SA	B	
24-14	JC97-02259A	MEA UNIT-ROLLER PU	2	SA	A	
24-14-1	JC61-01409A	HOUSING-M_ROLLER PU	1	SNA	D	
24-14-2	JC73-00216A	RUBBER-ROLLER P	1	SA	D	

## ELA HOU-UPPER Parts List

SA : SERVICE AVAILABLE, SNA : SERVICE not AVAILABLE

Drawer#	SEC_Code	Description	QT'y	Service	Grade	Remark
24-15	JC97-02291A	MEA UNIT-GEAR ONE WAY	1	SNA	D	
24-15-1	JC66-00941A	GEAR-M_ONE WAY	1	SA	D	
24-15-2	JC66-00977A	CLUTCH-P_ONE WAY	1	SA	D	
24-16	JC97-02292A	MEA UNIT-IDLE FORWARD	1	SA	D	
24-16-1	JC61-01288A	HOLDER-M_IDLE ONE WAY	1	SA	D	
24-16-2	JC66-00977A	CLUTCH-P_ONE WAY	1	SA	D	

## 5.28-6 AS-UNIT CASSETTE

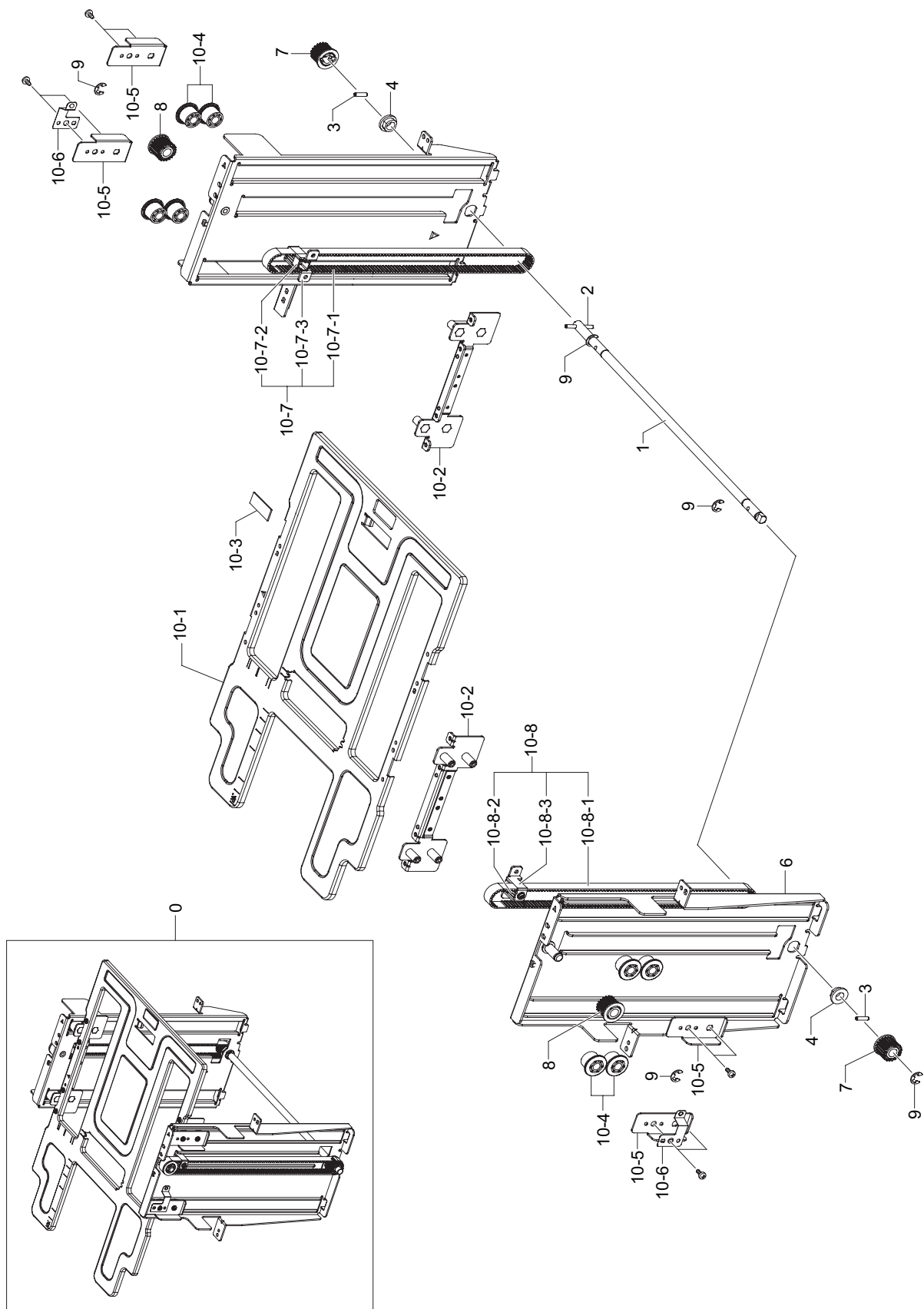


## AS-UNIT CASSETTE Parts List

SA : SERVICE AVAILABLE, SNA : SERVICE not AVAILABLE

Drawer#	SEC_Code	Description	QT'y	Service	Grade	Remark
0	JC81-06068A	AS-UNIT CASSETTE HCF	1	SA	D	
1	-	FRAME-CASSETTE_HCF	1	SNA	D	
2	-	RACK-GEAR_HCF	2	SNA	D	
3	JC66-01020A	GEAR-M_PINION 24	1	SA	D	
4	-	GROUND-RAIL_HCF	1	SNA	D	
5	JC63-00747A	SHEET-GUIDE RETARD	1	SA	D	
6	-	GROUND-REAR_HCF	1	SNA	D	
7	-	MEA UNIT-HOLDER_HCF	1	SNA	D	
7-1	-	PLATE-HOLDER LOCKER	1	SNA	D	
7-2	-	BRKT-HOLDER-LOCKER_HCF	1	SNA	D	
7-3	-	STUD-HOLDER_HCF	1	SNA	D	
8	-	SUB GUIDE REAR	1	SNA	D	
9	-	SUB SUPPORT	1	SNA	D	
9-1	JC61-01417A	SUPPORT-M_PUSH PAPER	1	SNA	D	
9-2	-	SUPPORT-BAR PAPER	1	SNA	D	
10	-	MEA UNIT-KNOCK UP_HCF	4	SNA	D	
11	JC81-06074A	AS-UNIT SPRING ROLL	4	SA	D	
11-1	-	SPRING-ROLL	4	SNA	D	
11-2	-	BRKT-SPRING ROLL	4	SNA	D	
12	JC81-06075A	AS-GUIDE SPRING ROLL	4	SA	D	
13	-	MEA UNIT-PAPER SIDE R_HCF	1	SNA	D	
14	-	MEA UNIT-PAPER SIDE L_HCF	1	SNA	D	
15	-	PLATE-GUIDE RAIL	4	SNA	D	
16	-	SET-PAPER_HCF	2	SNA	D	
17	-	COVER-CASSETTE_HCF	1	SNA	D	
18	-	LABEL(R)-INSTALLATION	1	SNA	D	
19	JC81-06070A	AS-COVER PAPER HOOK	1	SA	B	
20	JC81-06069A	AS-COVER PAPER REAR DUMMY	1	SA	B	

## 5.28-7 MEA UNIT-KNOCK UP

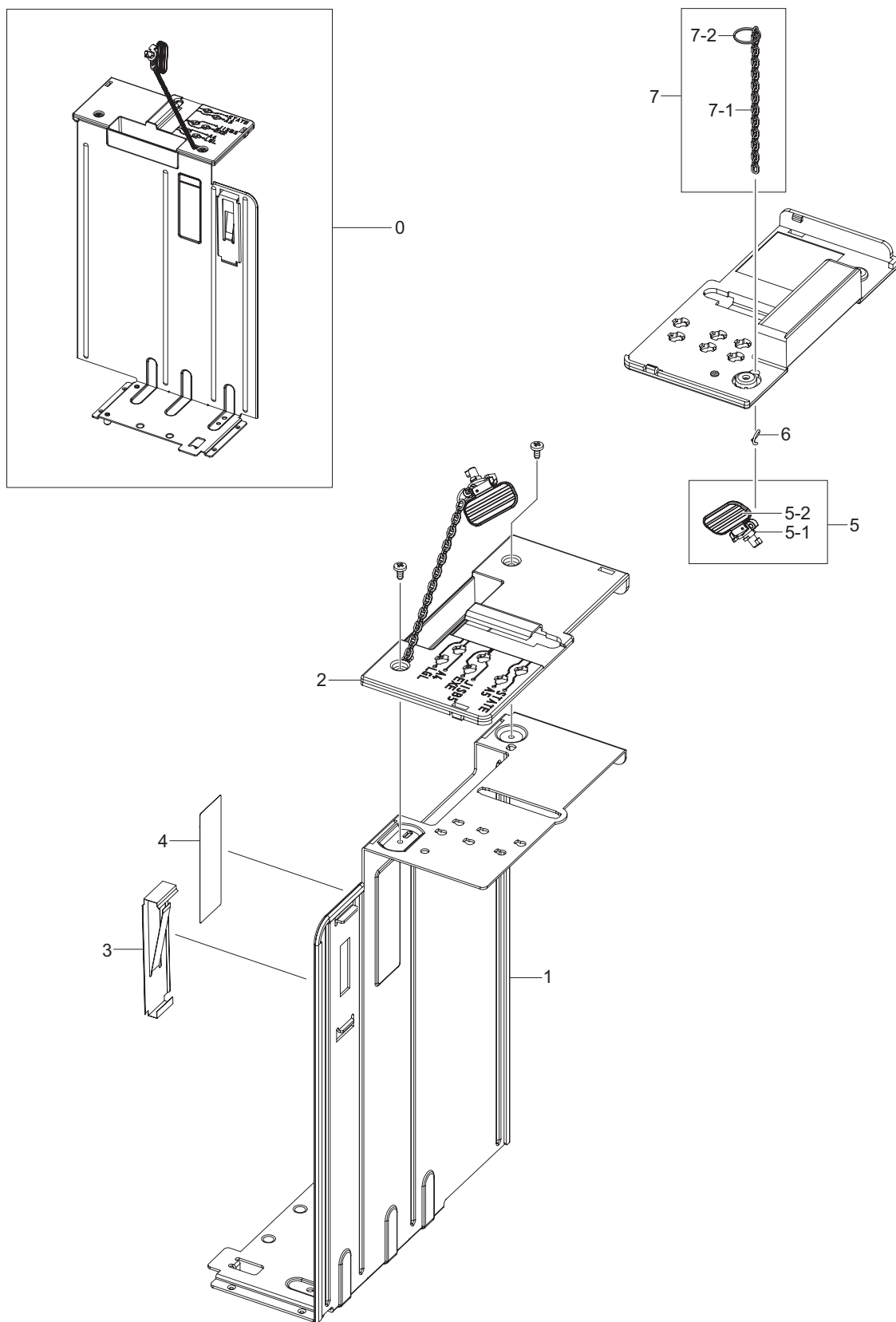


## MEA UNIT-KNOCK UP Parts List

SA : SERVICE AVAILABLE, SNA : SERVICE not AVAILABLE

Drawer#	SEC_Code	Description	QT'y	Service	Grade	Remark
0	-	MEA UNIT-KNOCK UP_HCF	1	SNA	D	
1	-	SHAFT-PLATE LEVER	1	SNA	D	
2	-	SPRING-PIN ASMO	1	SNA	D	
3	-	SPRING-PIN PULLEY	2	SNA	D	
4	JC61-00426A	BUSH 8/5	2	SA	D	
5	-	PLATE-LIFT R	1	SNA	D	
6	-	PLATE-LIFT L	1	SNA	D	
7	-	PULLEY-LOWER BELT	2	SNA	D	
8	-	PULLEY-UPPER BELT	2	SNA	D	
9	6044-000129	RING-E	6	SA	D	
10	-	SUB KNOCK-UP	1	SNA	D	
10-1	-	PLATE-KNOCK UP	1	SNA	D	
10-2	-	BRKT-KNOCK UP	2	SNA	D	
10-3	JC69-00494A	RPR- PAD MP(PLUS)	1	SA	A	
10-4	-	ROLLER-GUIDE KU	8	SNA	D	
10-5	-	BRKT-GUIDE ROLLER	4	SNA	D	
10-6	-	GROUND-LEFT_HCF	2	SNA	D	
10-7	JC81-06071A	AS-UNIT BELT R HCF	1	SA	B	
10-7-1	JC81-06072A	AS-TIMING BELT S3M	1	SA	B	
10-7-2	-	BELT-STOPPER	1	SNA	D	
10-7-3	-	BRKT-STOPPER_R	1	SNA	D	
10-8	JC81-06073A	AS-UNIT BELT L HCF	1	SA	B	
10-8-1	JC81-06072A	AS-TIMING BELT S3M	1	SA	B	
10-8-2	-	BELT-STOPPER	1	SNA	D	
10-8-3	-	BRKT-STOPPER_L	1	SNA	D	

### 5.28-8 MEA UNIT-PAPER SIDE R



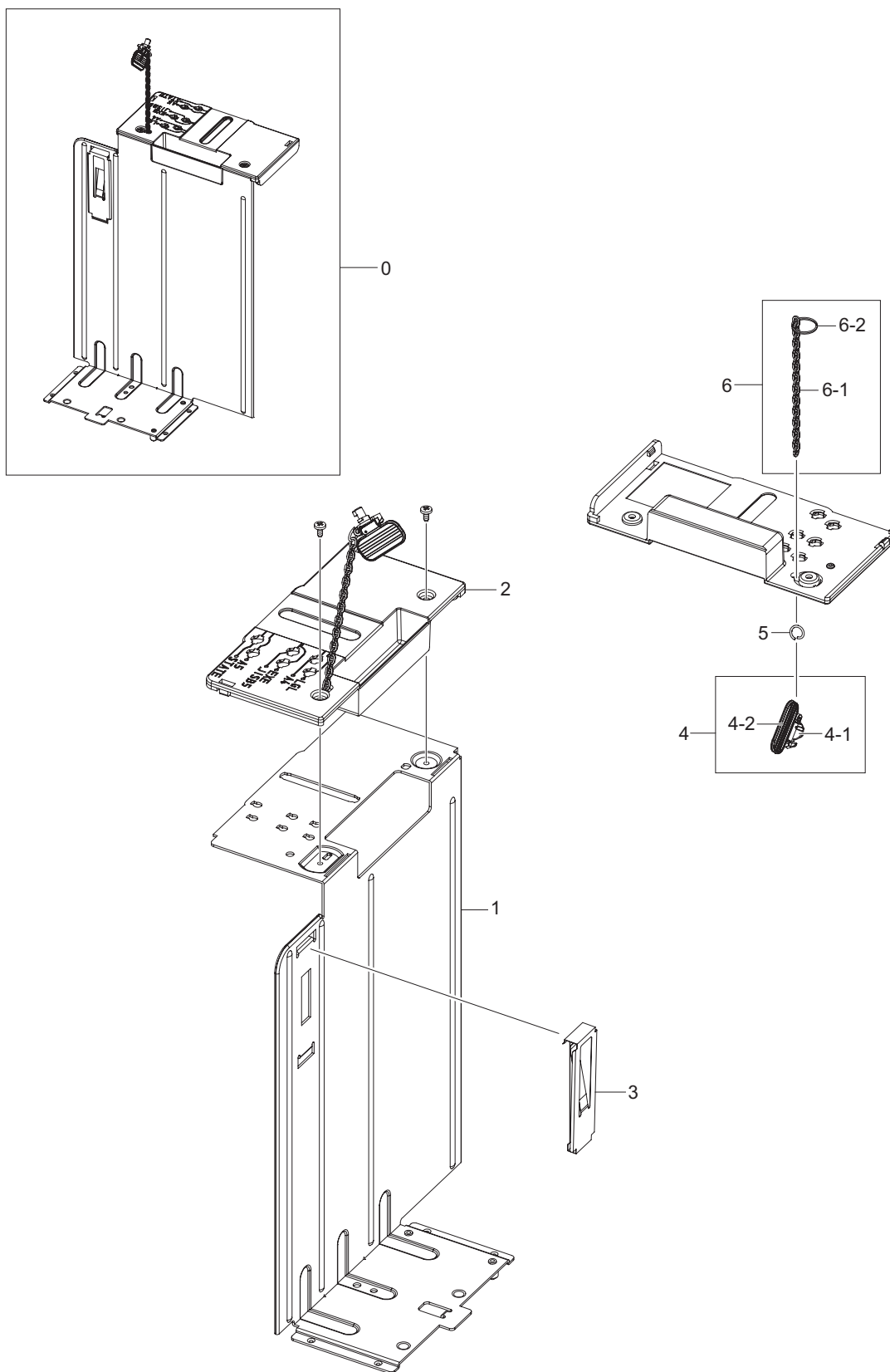
## MEA UNIT-PAPER SIDE R Parts List

SA : SERVICE AVAILABLE, SNA : SERVICE not AVAILABLE

Drawer#	SEC_Code	Description	QT'y	Service	Grade	Remark
0	-	MEA UNIT-PAPER SIDE R_HCF	1	SNA	D	
1	-	PLATE-PAPER SIDE R	1	SNA	D	
2	-	COVER-PAPER_SIDE R	1	SNA	D	
3	JC70-10929A	IPR-SPR PLATE G/SIDE	1	SA	D	
4	JC68-01621A	LABEL(R)-MAX FILL	1	SA	D	
5	JC81-06076A	AS-PIN PAPER HCF	1	SA	B	
5-1	-	PIN-PAPER_HCF	1	SNA	D	
5-2	-	PIN-HANDLE_HCF	1	SNA	D	
6	-	PIN_RING	1	SNA	D	
7	-	MEA UNIT-LINK	1	SNA	D	
7-1	-	PIN_LINK	1	SNA	D	
7-2	-	PIN_SPRING	1	SNA	D	



### 5.28-9 MEA UNIT-PAPER SIDE L

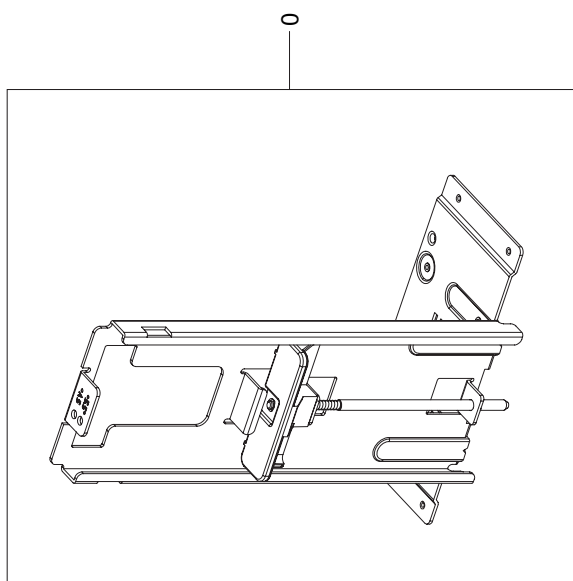
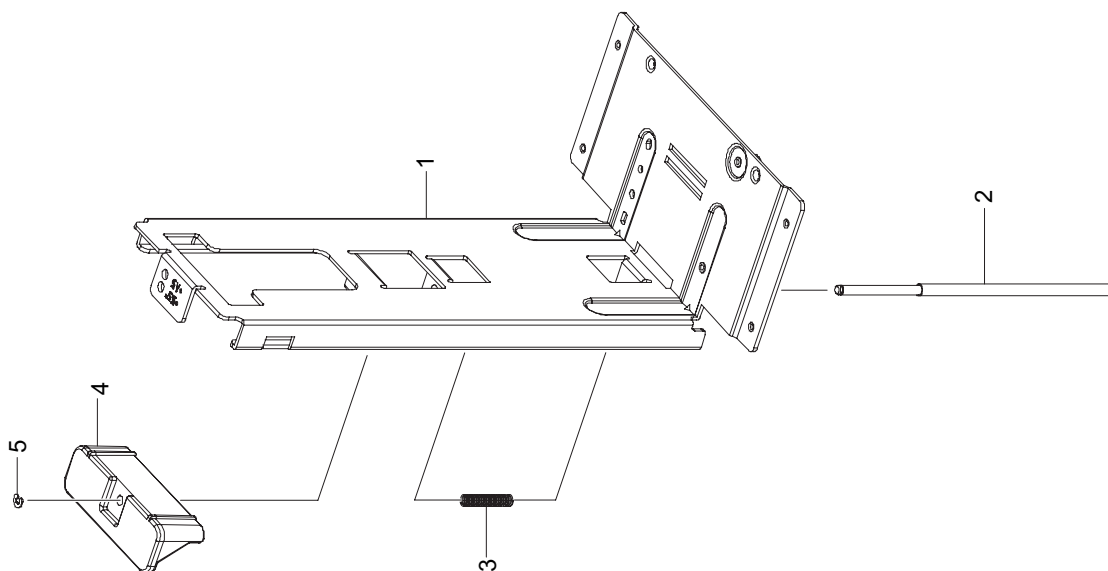


## MEA UNIT-PAPER SIDE L Parts List

SA : SERVICE AVAILABLE, SNA : SERVICE not AVAILABLE

Drawer#	SEC_Code	Description	QT'y	Service	Grade	Remark
0	-	MEA UNIT-PAPER SIDE L_HCF	1	SNA	D	
1	-	PLATE-PAPER SIDE L	1	SNA	D	
2	-	COVER-PAPER_SIDE L	1	SNA	D	
3	JC70-10929A	IPR-SPR PLATE G/SIDE	1	SA	D	
4	JC81-06076A	AS-PIN PAPER HCF	1	SA	B	
4-1	-	PIN-PAPER_HCF	1	SNA	D	
4-2	-	PIN-HANDLE_HCF	1	SNA	D	
5	-	PIN_RING	1	SNA	D	
6	-	MEA UNIT-LINK	1	SNA	D	
6-1	-	PIN_LINK	1	SNA	D	
6-2	-	PIN_SPRING	1	SNA	D	

## 5.28-10 SUB GUIDE REAR



## SUB GUIDE REAR Parts List

SA : SERVICE AVAILABLE, SNA : SERVICE not AVAILABLE

Drawer#	SEC_Code	Description	QT'y	Service	Grade	Remark
0	-	SUB GUIDE REAR	1	SNA	D	
1	-	PLATER-PAPER REAR	1	SNA	D	
2	-	SHAFT-HOOK	1	SNA	D	
3	JC61-00043A	SPRING-F/DOWN	1	SNA	D	
4	-	HANDLE-PAPER HOOK	1	SNA	D	
5	6044-000159	RING-E, ID3	1	SA	B	