

# 8. Exploded Views and Parts List

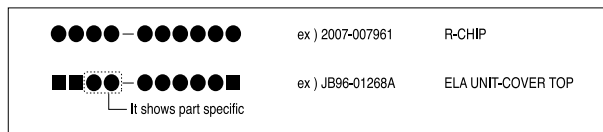
# Contents

- 8.1 Main . . . . . 8-2
- 8.2 Housing Scanner . . . . . 8-3
- 8.3 OPE Cover . . . . . 8-4
- 8.4 Platen Cover Ass'y . . . . . 8-5
- 8.5 ADF Ass'y . . . . . 8-6
- 8.6 DADF Ass'y . . . . . 8-7
- 8.7 DADF Platen Cover Ass'y . . . . . 8-8
- 8.8 DADF SUB Ass'y . . . . . 8-9
- 8.9 Side Cover Ass'y . . . . . 8-10
- 8.10 Cassette Ass'y . . . . . 8-11
- 8.11 Exit Ass'y . . . . . 8-12
- 8.12 Feeder Ass'y . . . . . 8-13
- 8.13 MP Ass'y . . . . . 8-14
- 8.14 Base Frame . . . . . 8-15
- 8.15 Pick-up Ass'y . . . . . 8-16
- 8.16 Drive Ass'y . . . . . 8-17
- 8.17 Main Frame Ass'y . . . . . 8-18
- 8.18 FuserAss'y . . . . . 8-19
- 8.19 SCF Unit(OPTION Cassette) . . . . . 8-20

### Way to observe Part Code & Description

Part code and Description is quoted and controlled by determined standard. Refer to this determined standard, it will help with ordering Part.

• There are two kinds of Part code inscription type.



( ● : figure, ■ : character (alphabet) )

**Type 1** : Controlled by Company : It can be commonly used for all kinds of product SEC produce. Mostly, electronics Parts.

**Type 2** : Controlled by Division : It is used or one produce. Mostly, Mostly, mechanical Parts.

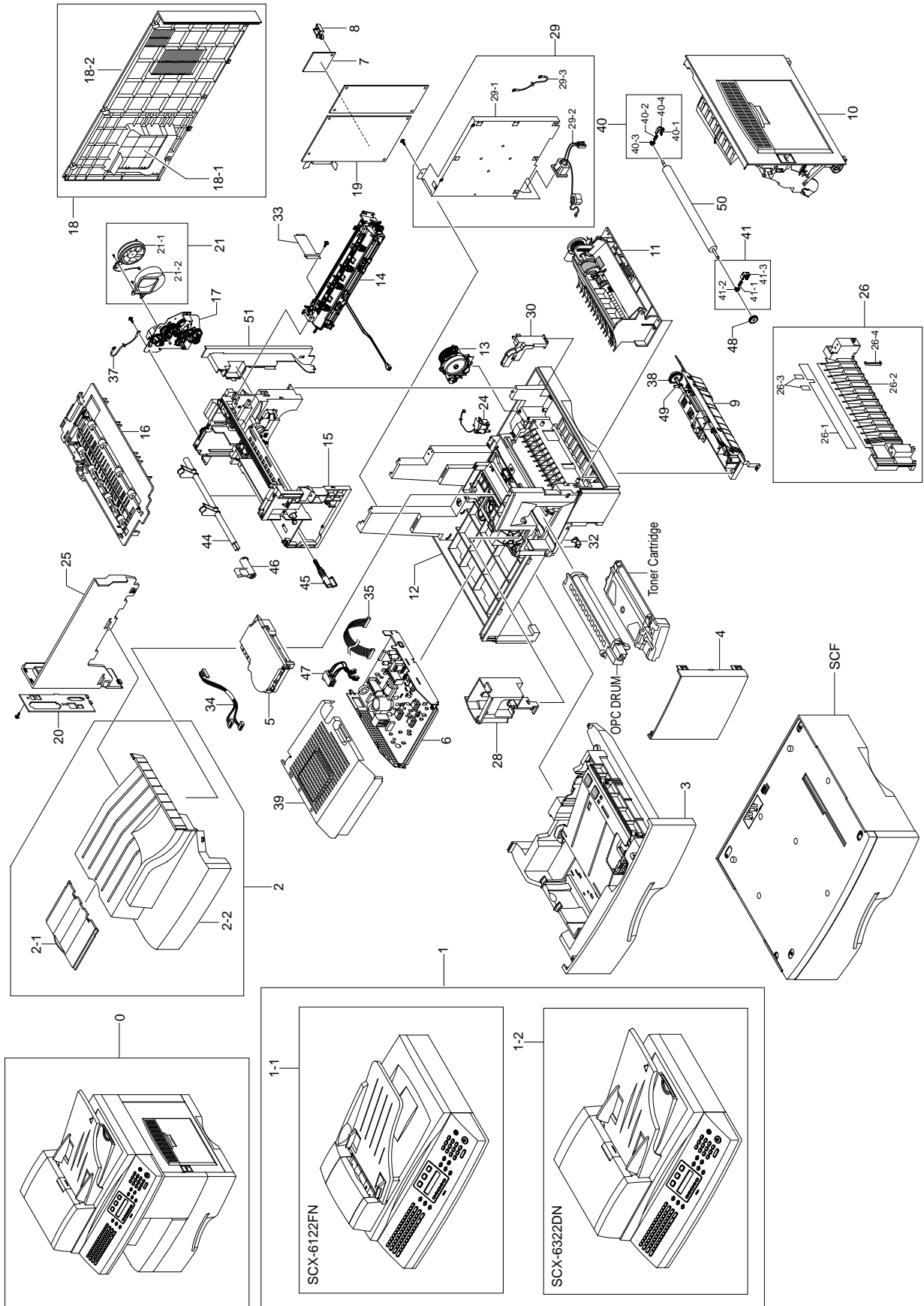
• **A/S privately used part** : It is only used for A/S .

• **Ass'y part** : Assembled by more than 2 Parts. If necessary part is not A/S Part, Ass'y part including necessary par can be used. It is shown in the diagram and drawing of SVC manual.

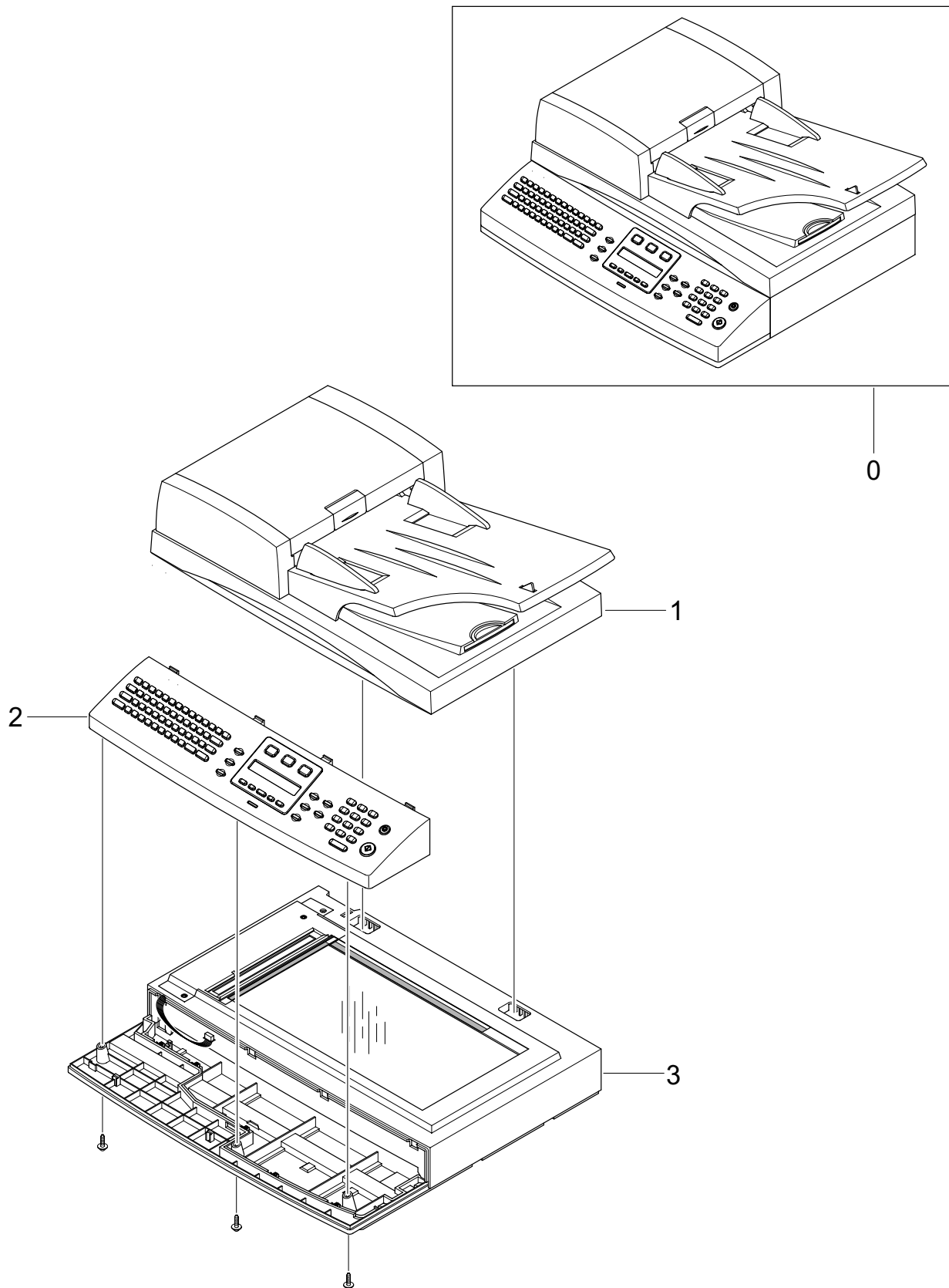
• Ass'y part and A/S privately used Part is distinguished by part Code and Description. The are inscription type 2. It is recognized by Part character and front side of description.

DIVISION	PART CODE	DESCRIPTION
A/S Private	**81-***** (JB81-00039A)	AS-***** (AS-USE)
ASS'Y Part	**75-***** (JB75-00068A)	MEC-***** (MEC-CHUTE)
ASS'Y Part	**92-***** (JB92-01131A)	PBA ***** (PBA MAIN-CONTROLLER)
ASS'Y Part	**97-***** (JB97-01089A)	MEA ***** (MEA UNIT-PULLEY IDLE)

## 8.1 Main



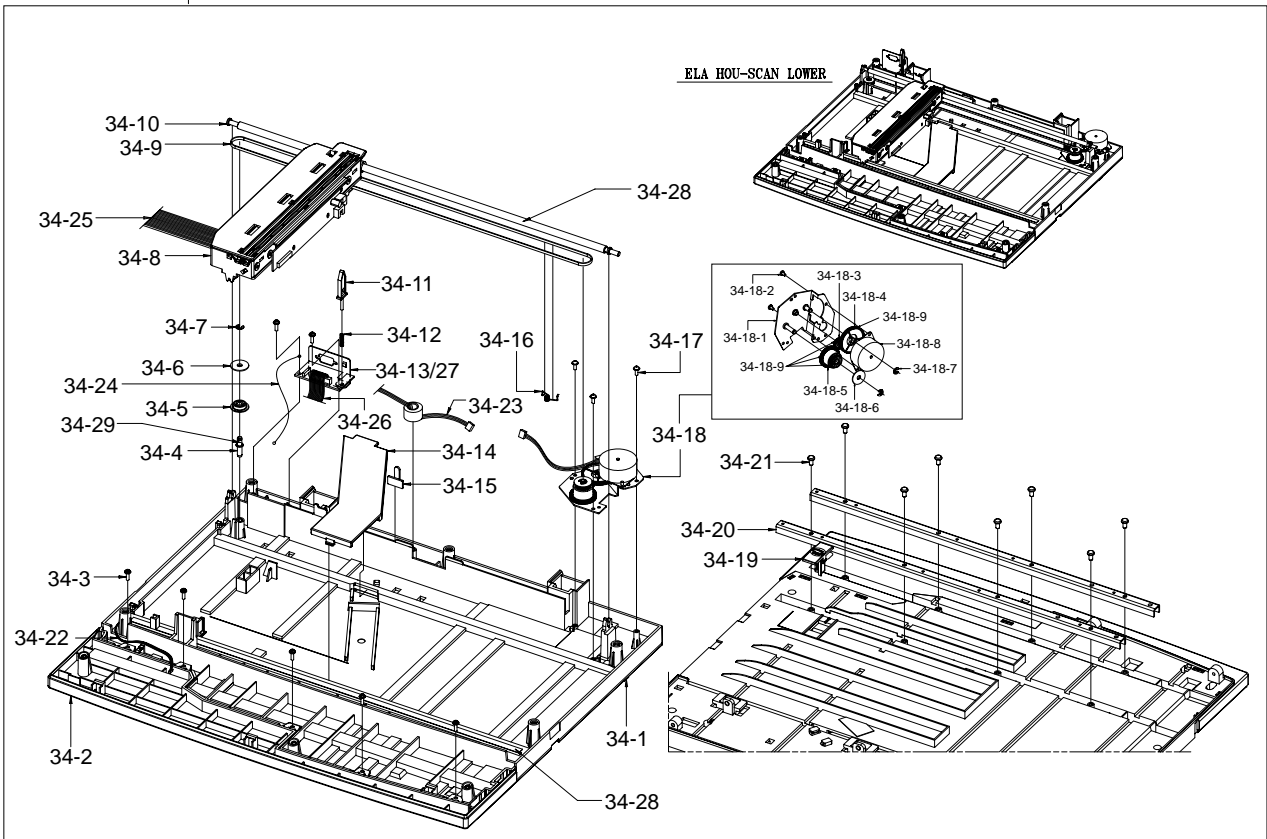
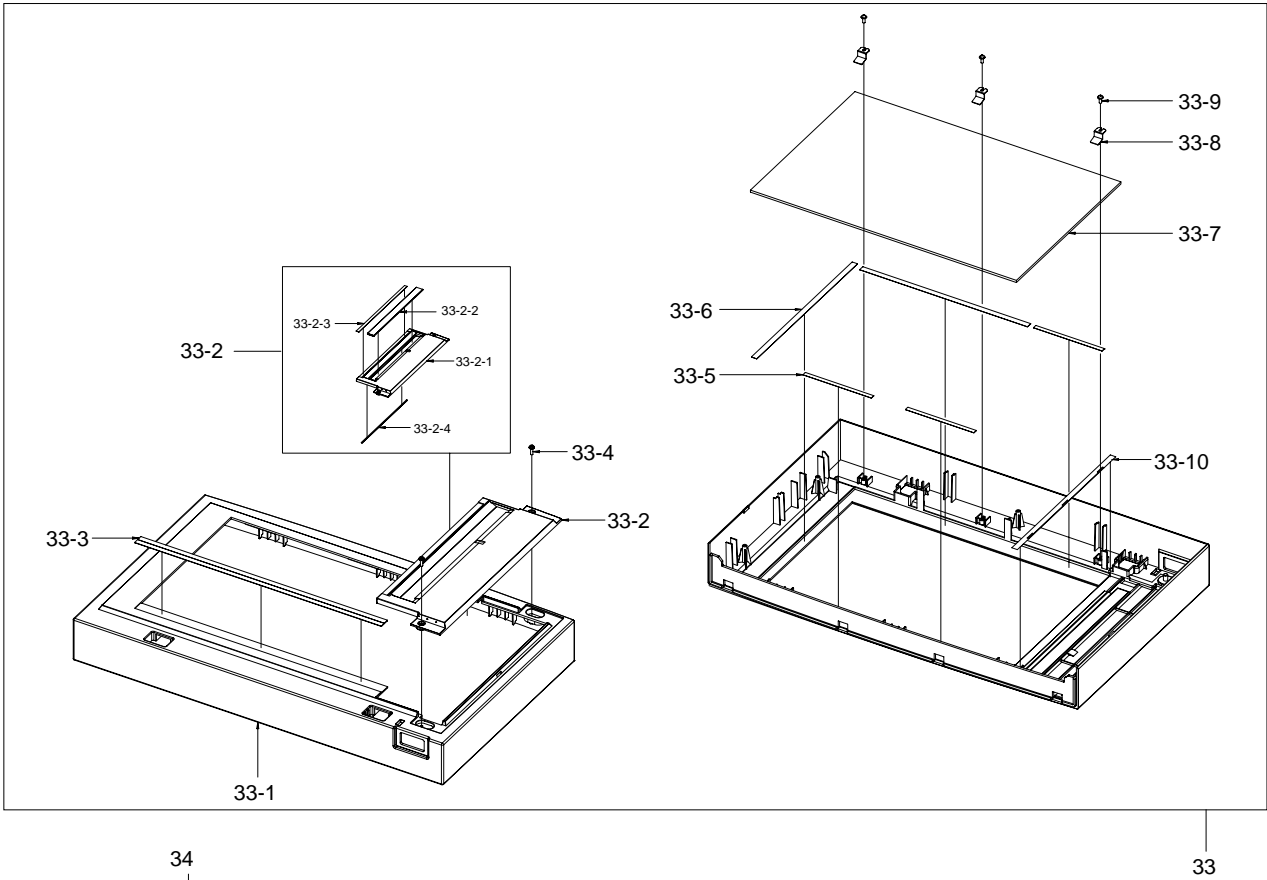
## 8.2 Housing Scanner



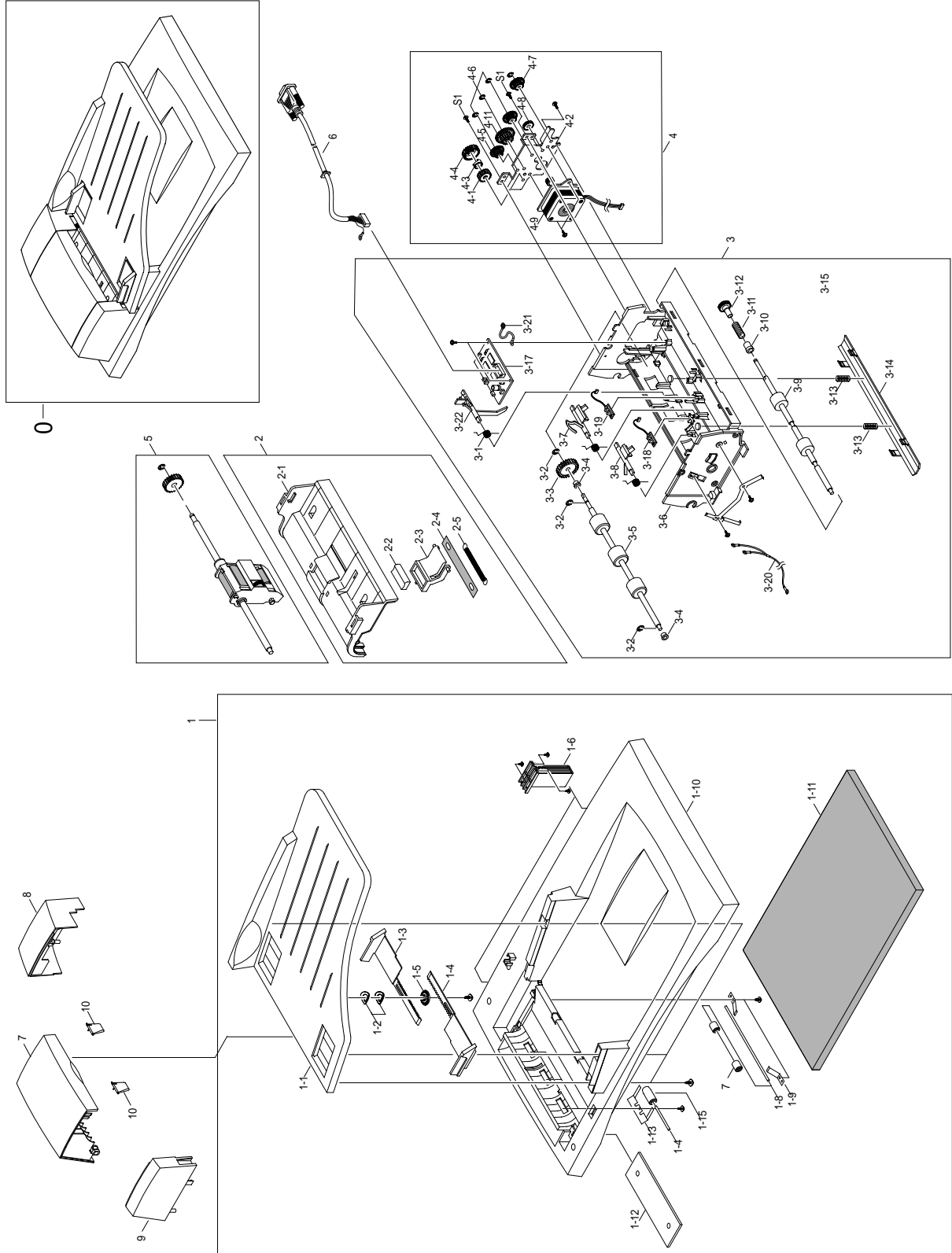
### 8.3 OPE Cover



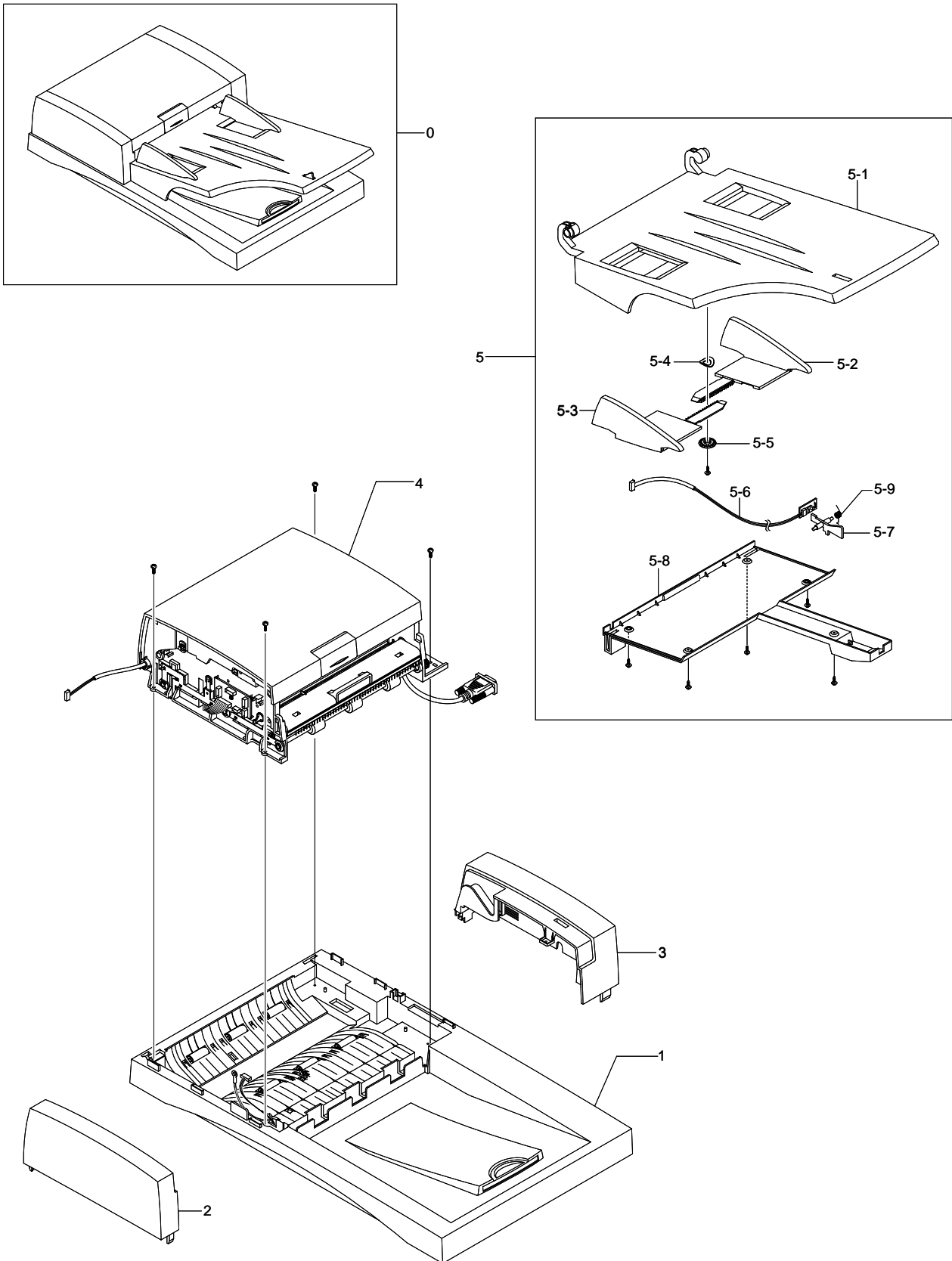
### 8.4 Platen Cover Ass'y



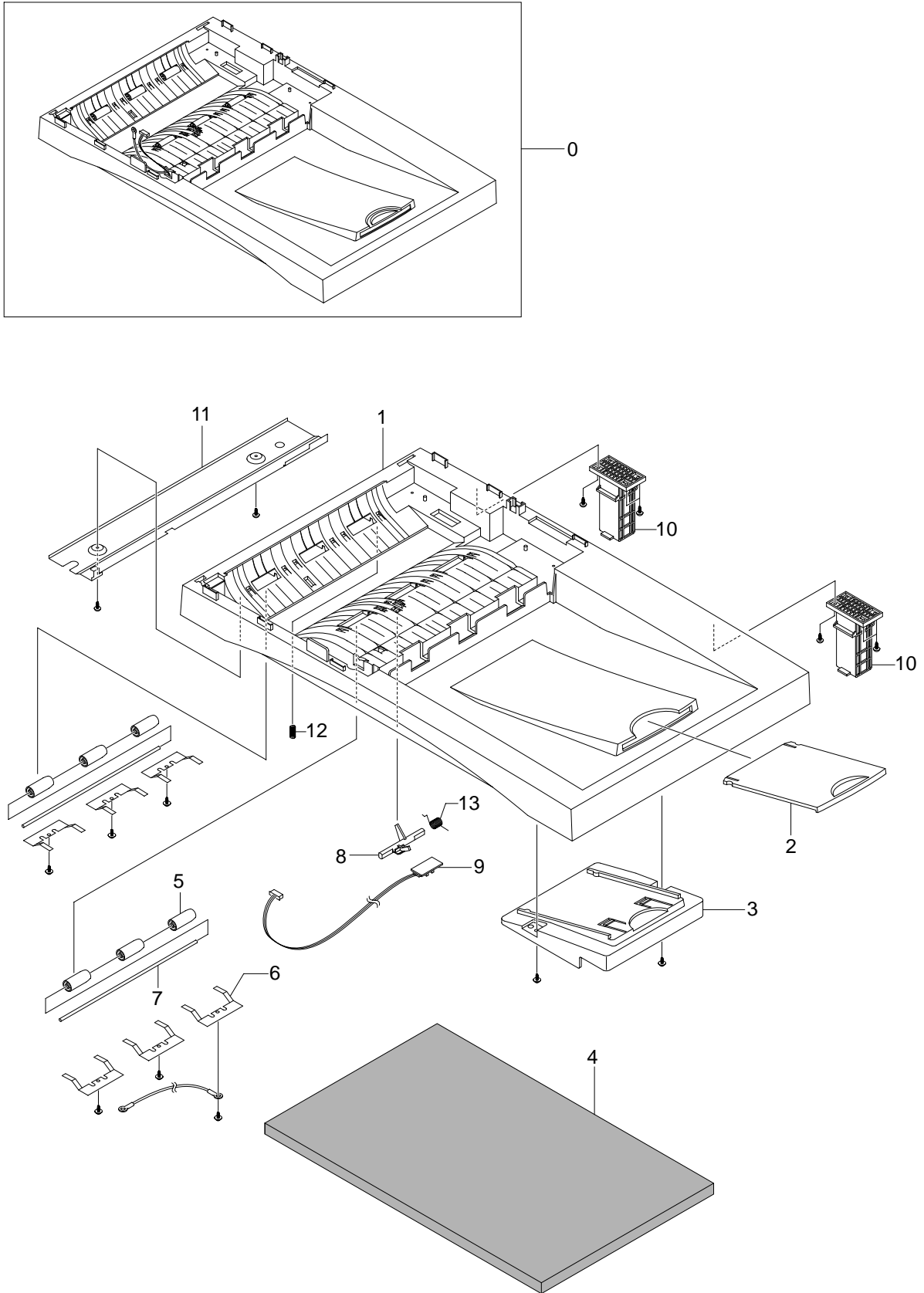
## 8.5 ADF Ass'y



## 8.6 DADF Ass'y

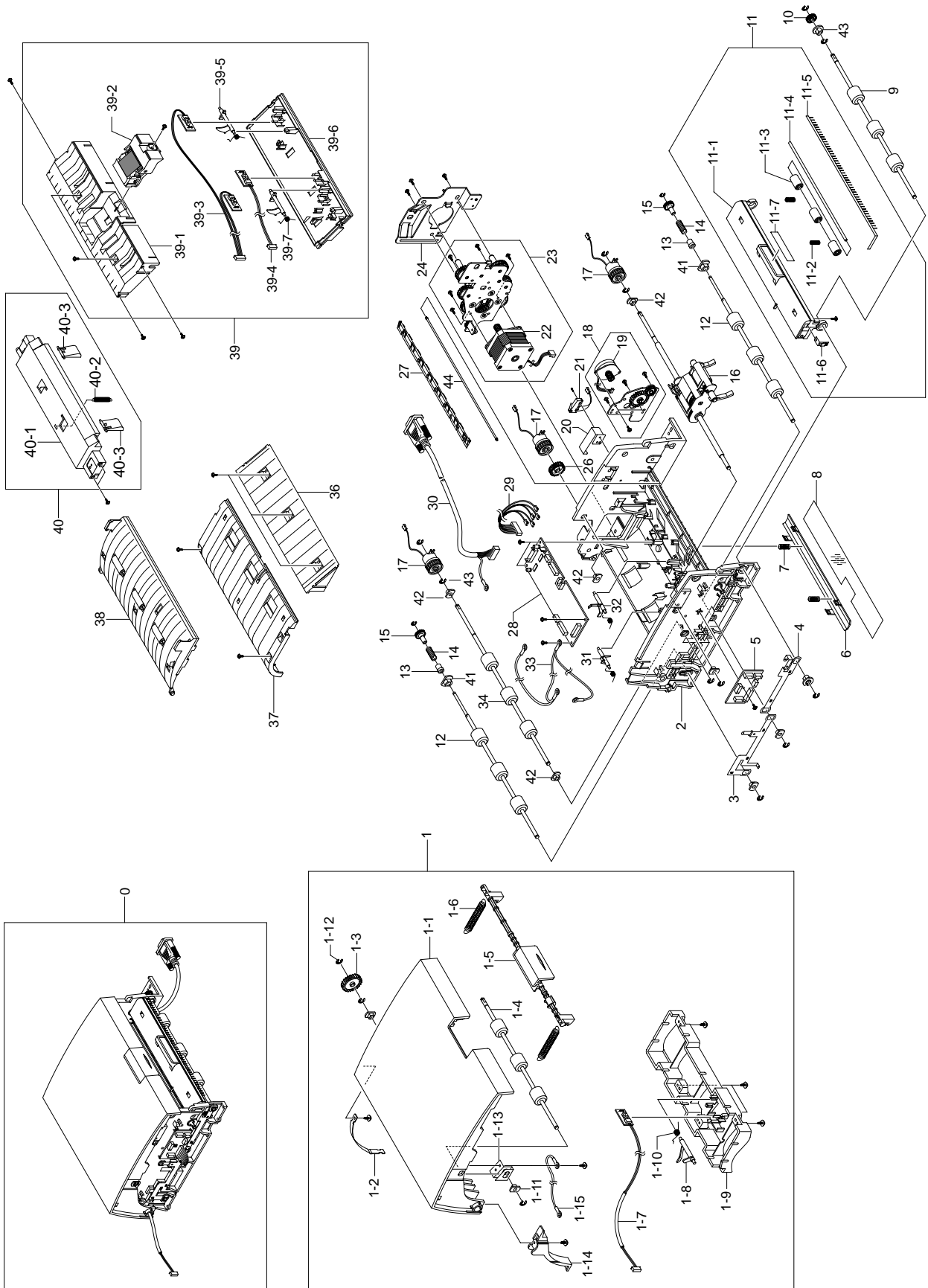


## 8.7 DADF Platen Cover Ass'y

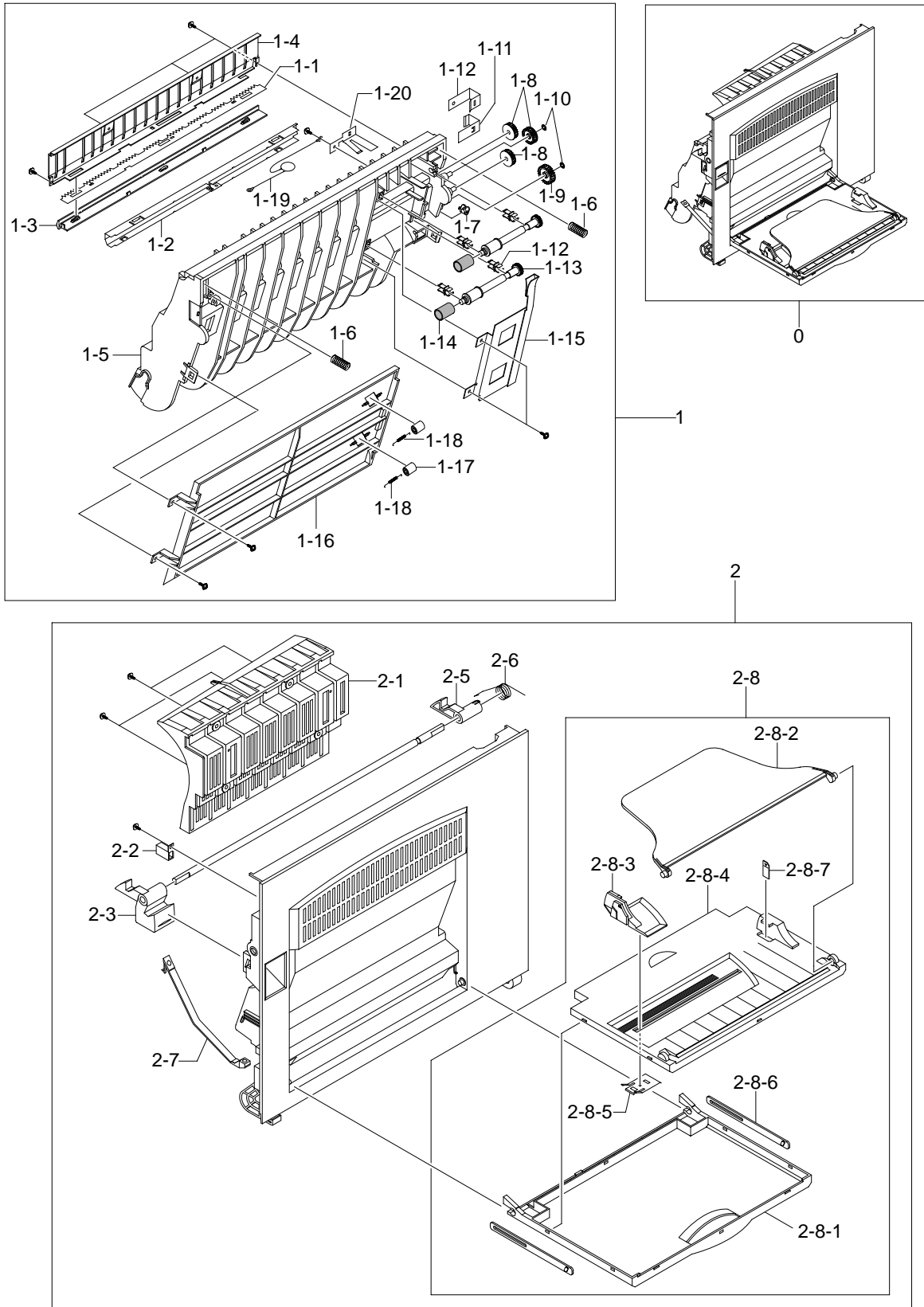




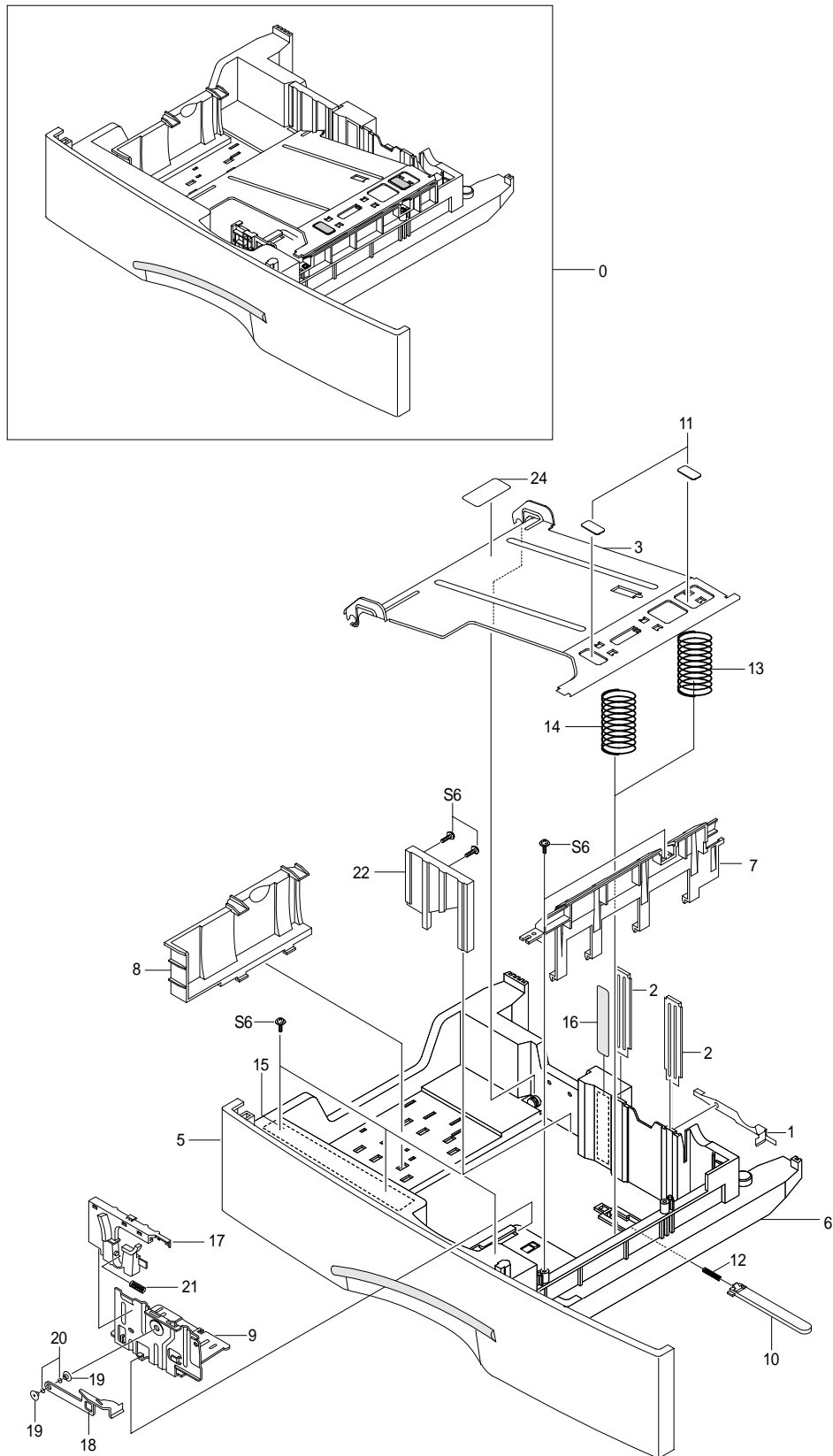
# 8.8 DADF SUB Ass'y



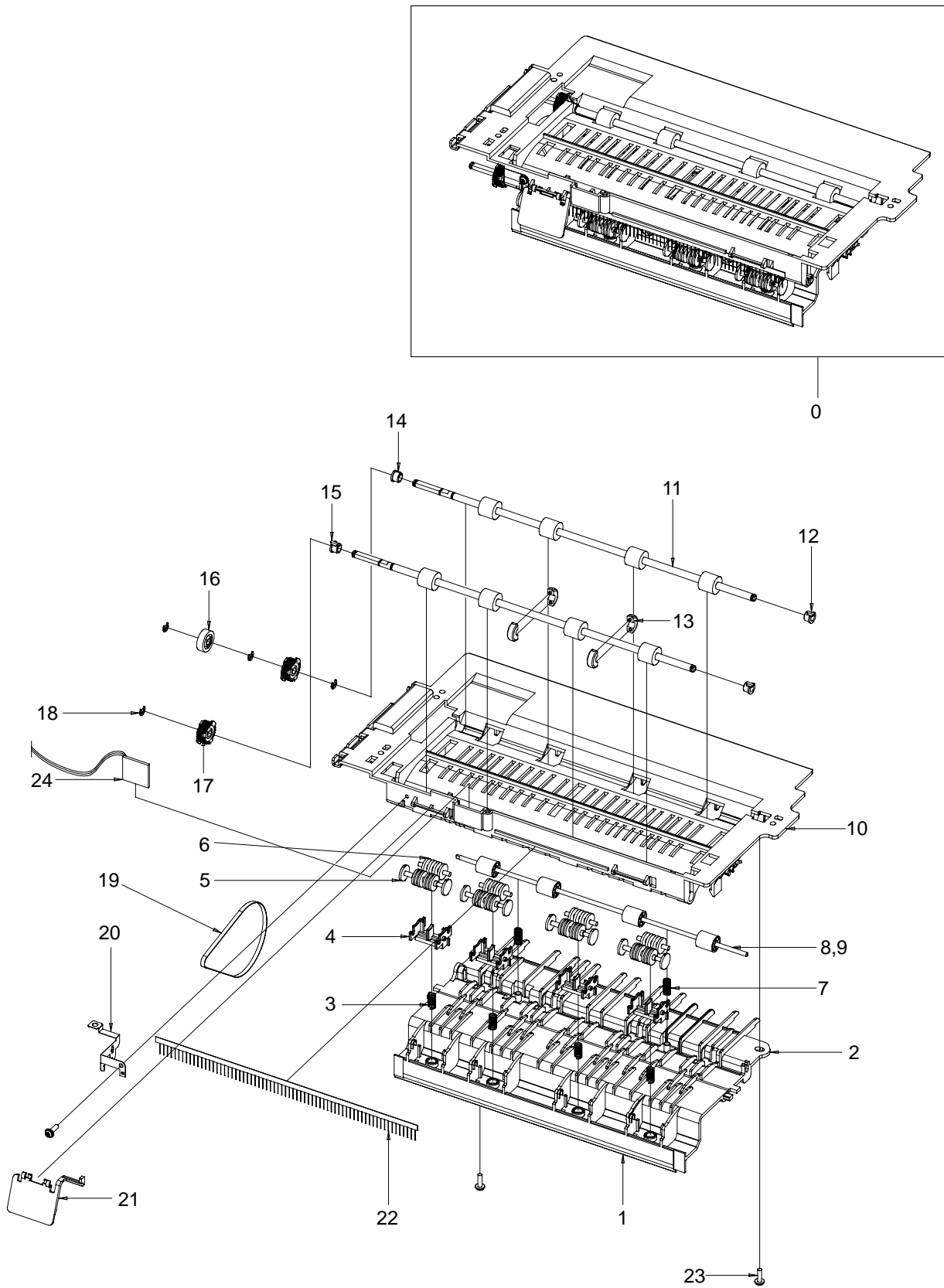
## 8.9 Side Cover Ass'y



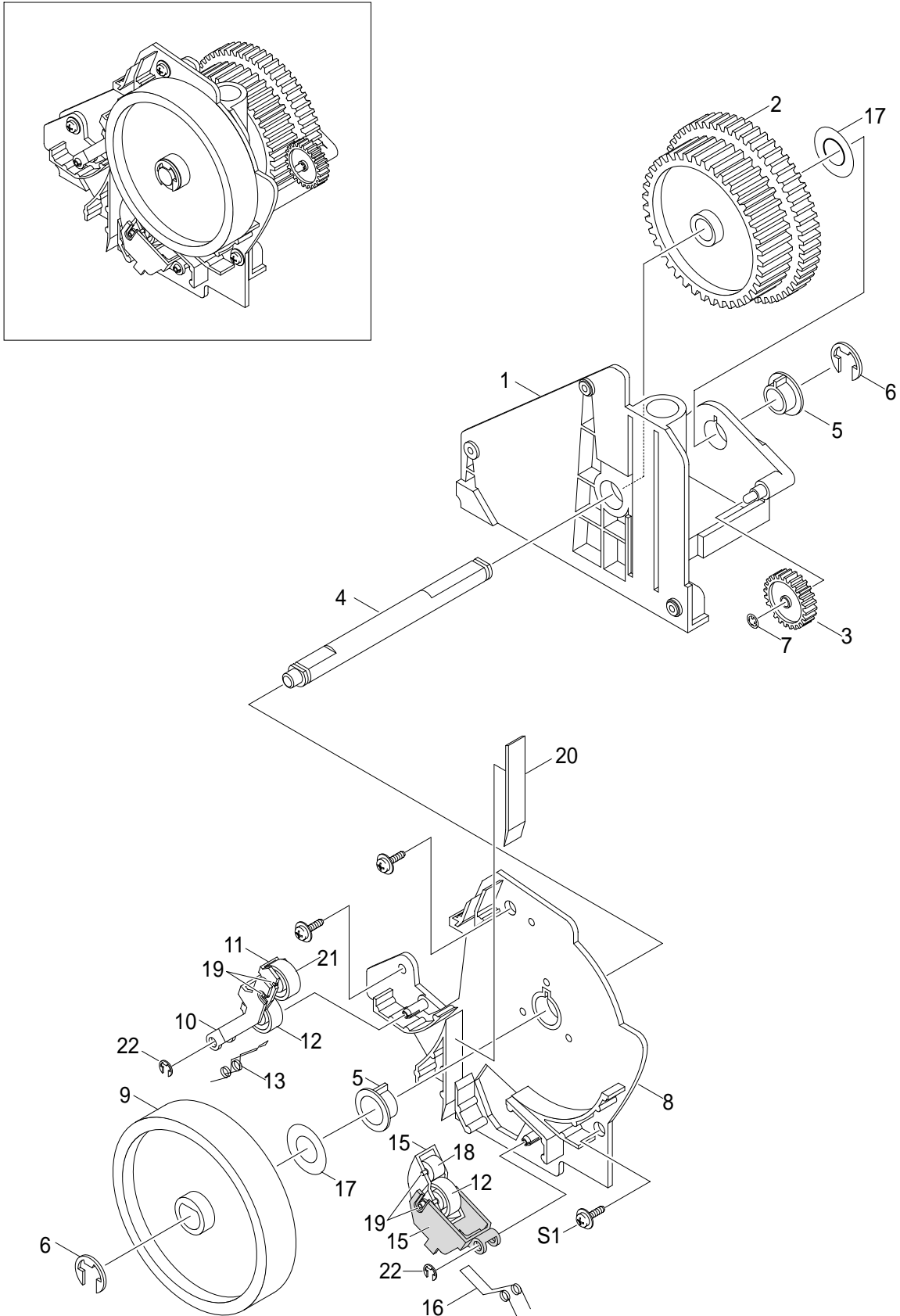
## 8.10 Cassette Ass'y



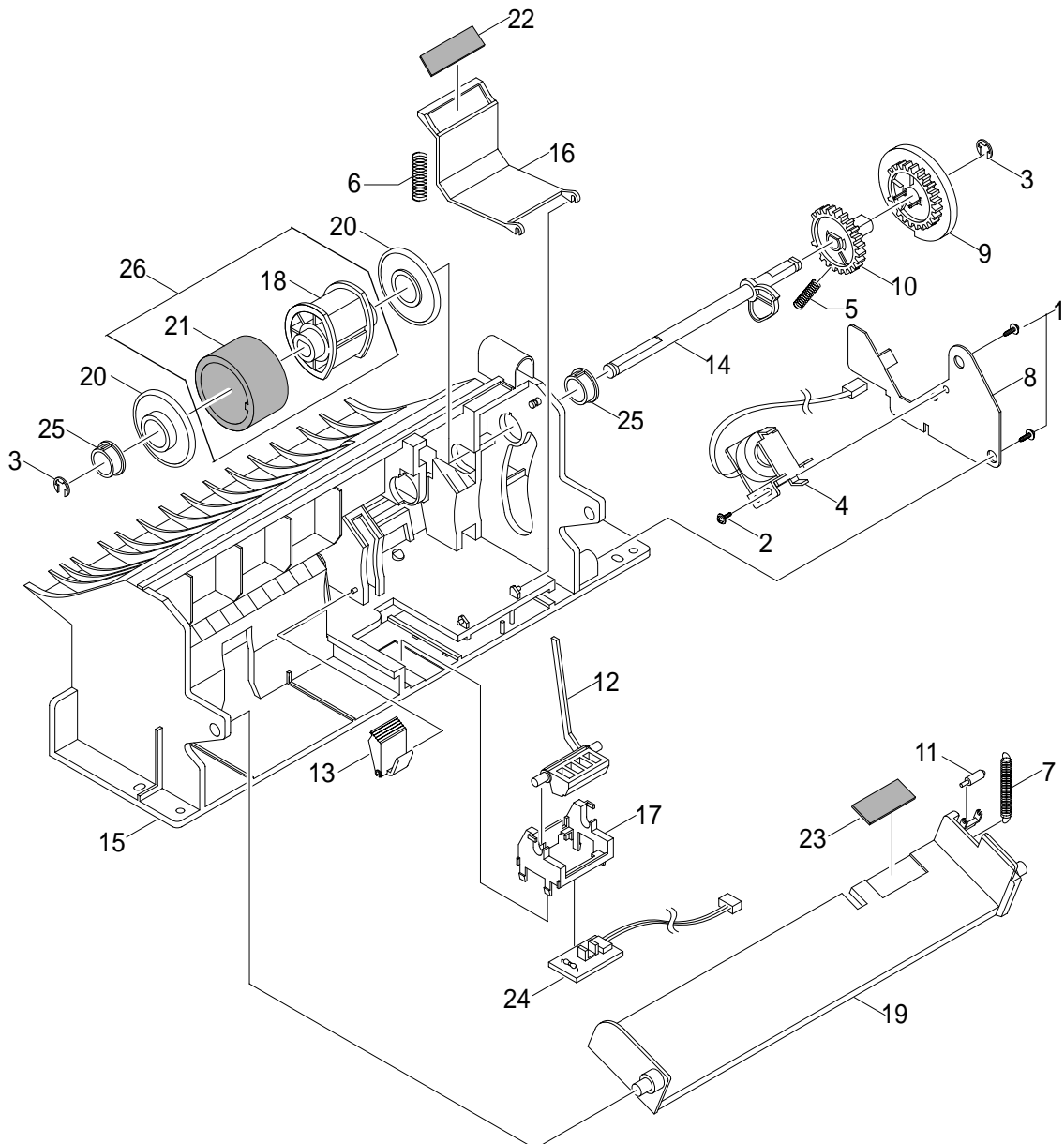
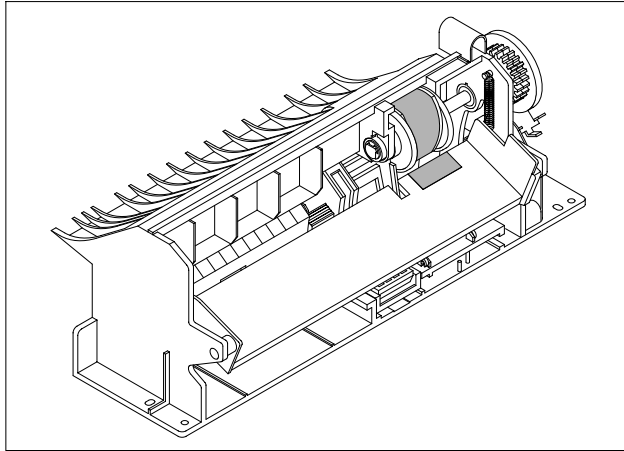
## 8.11 Exit Ass'y



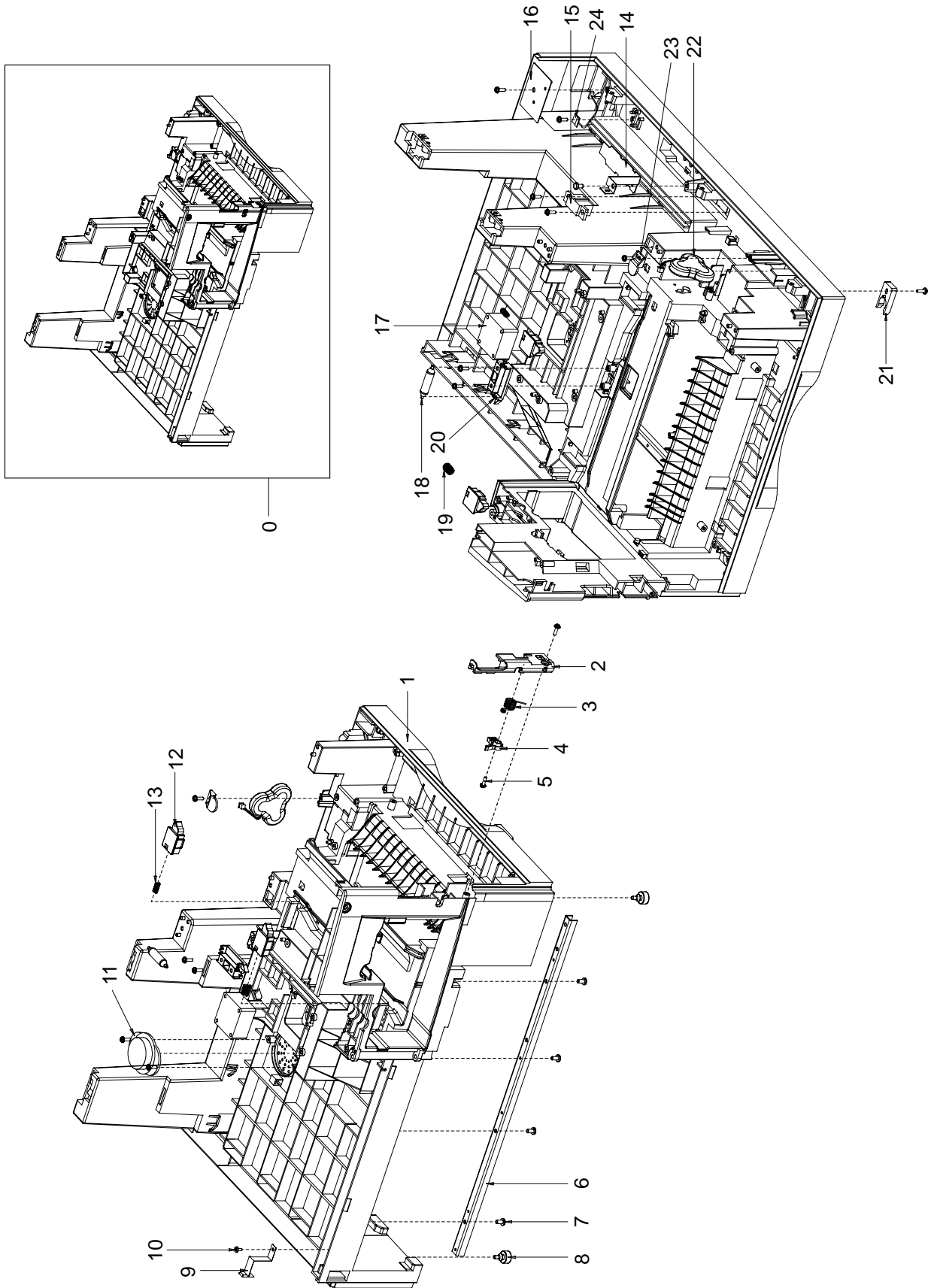
## 8.12 Feeder Ass'y



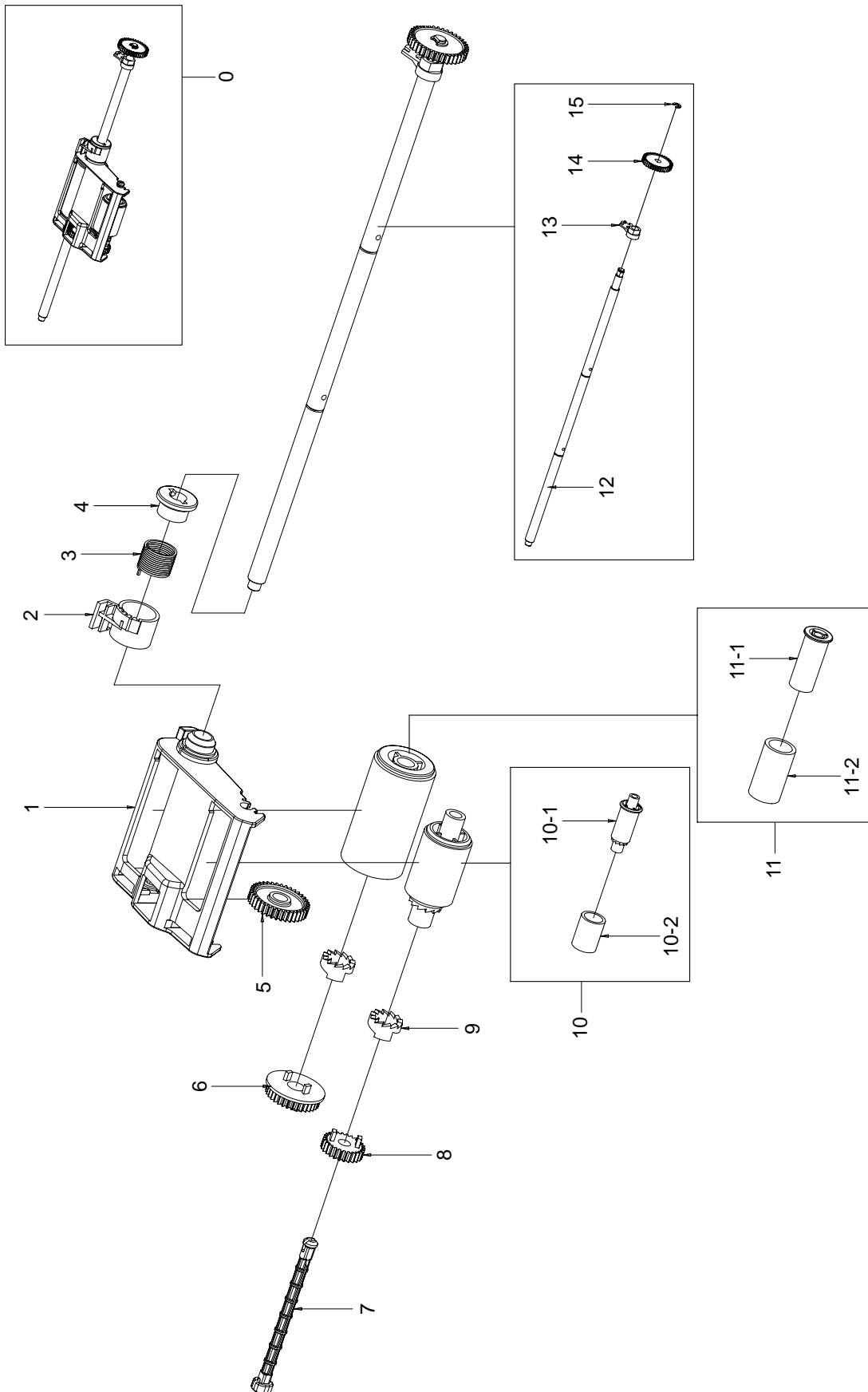
### 8.13 MP Ass'y



### 8.14 Base Frame

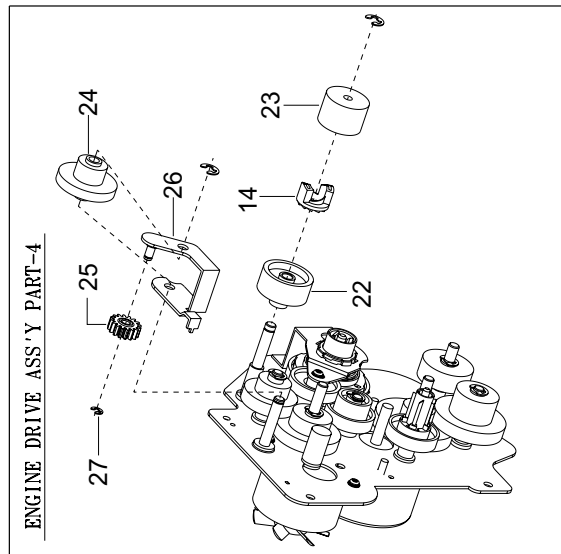
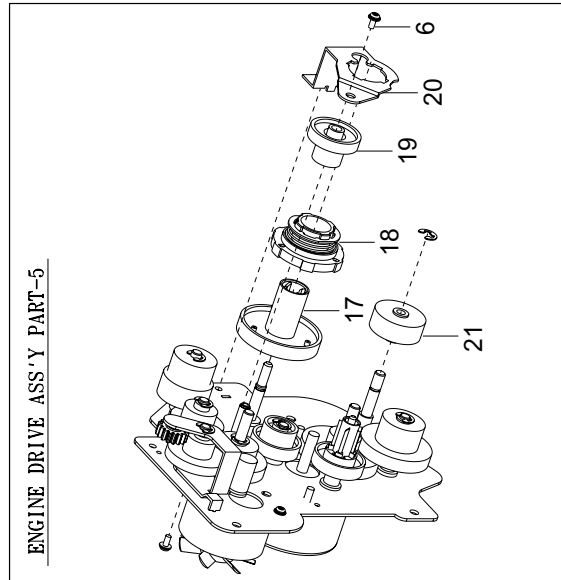
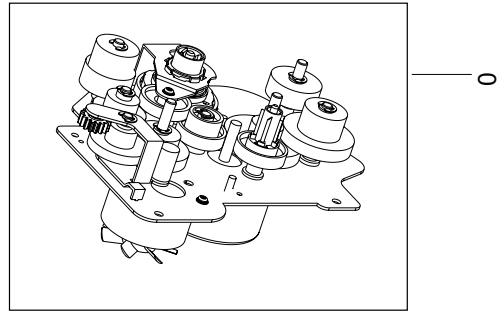
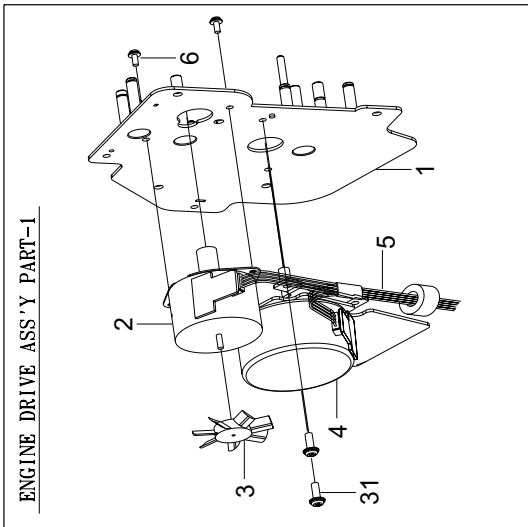
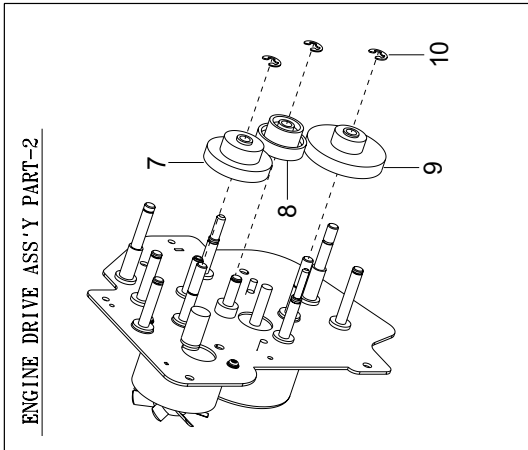
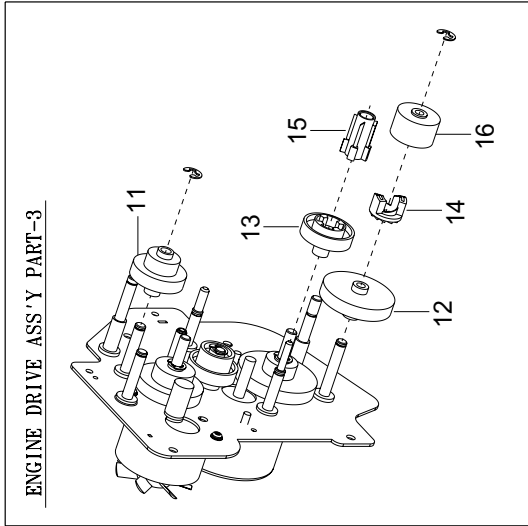


## 8.15 Pick-up Ass'y

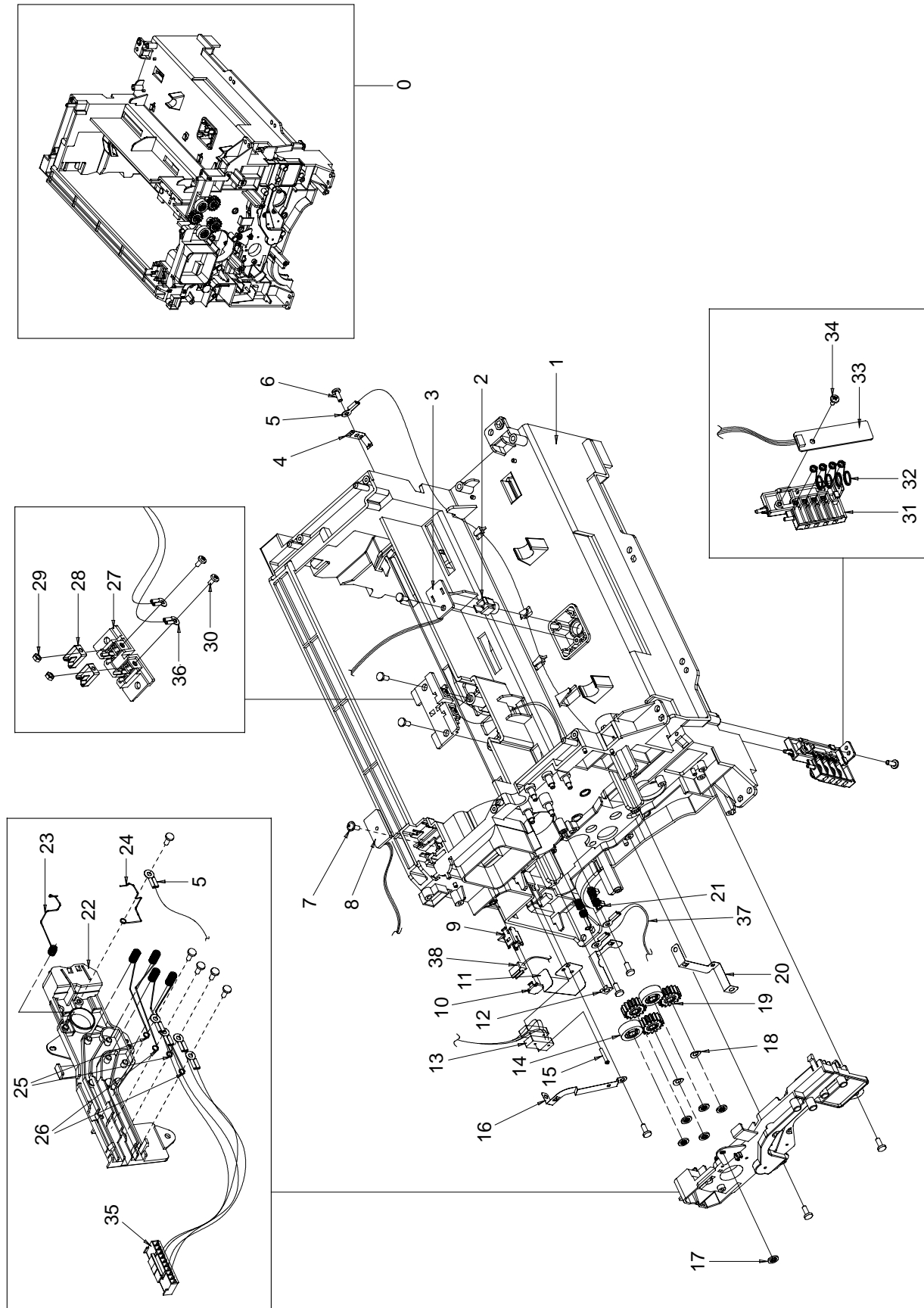




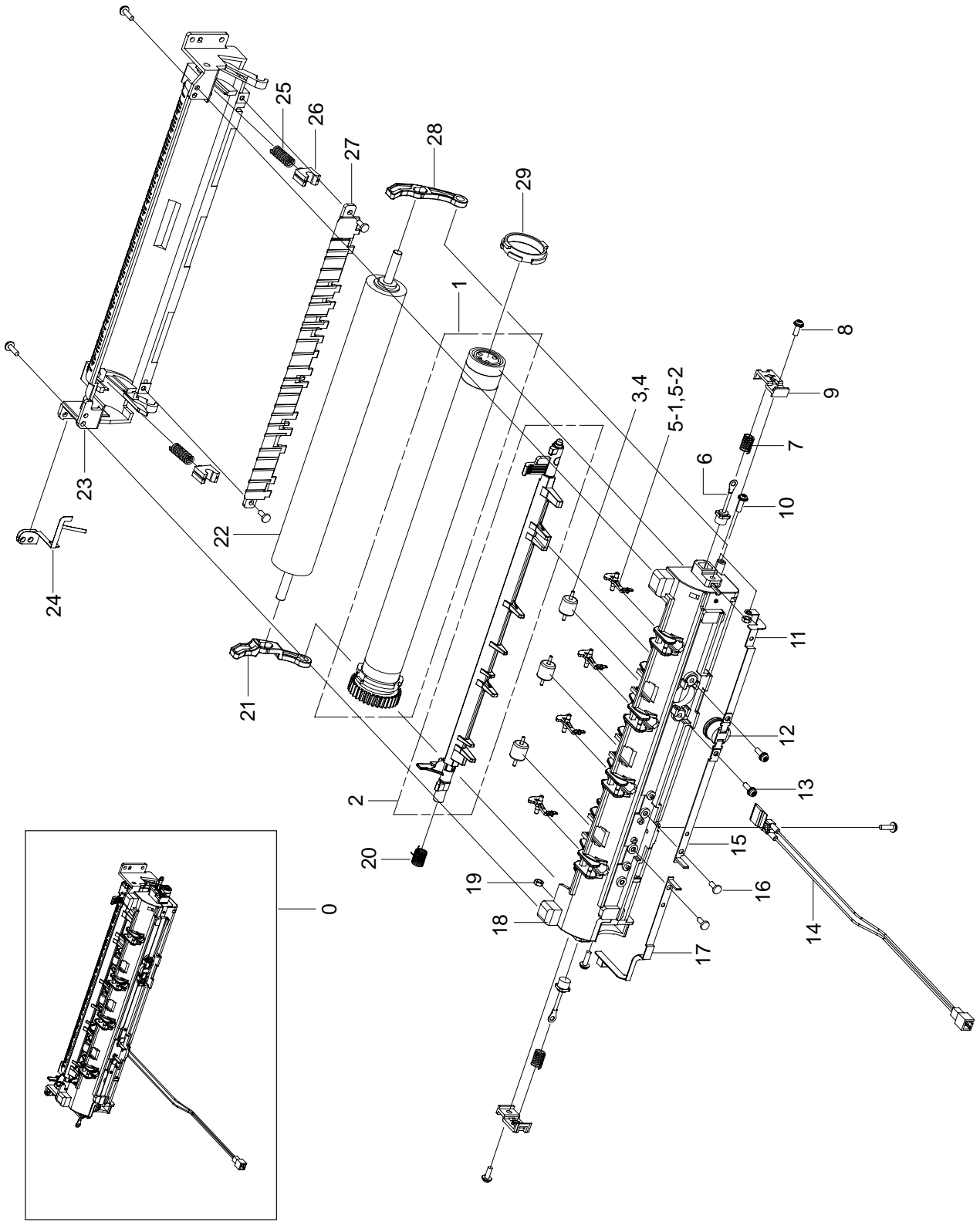
# 8.16 Drive Ass'y



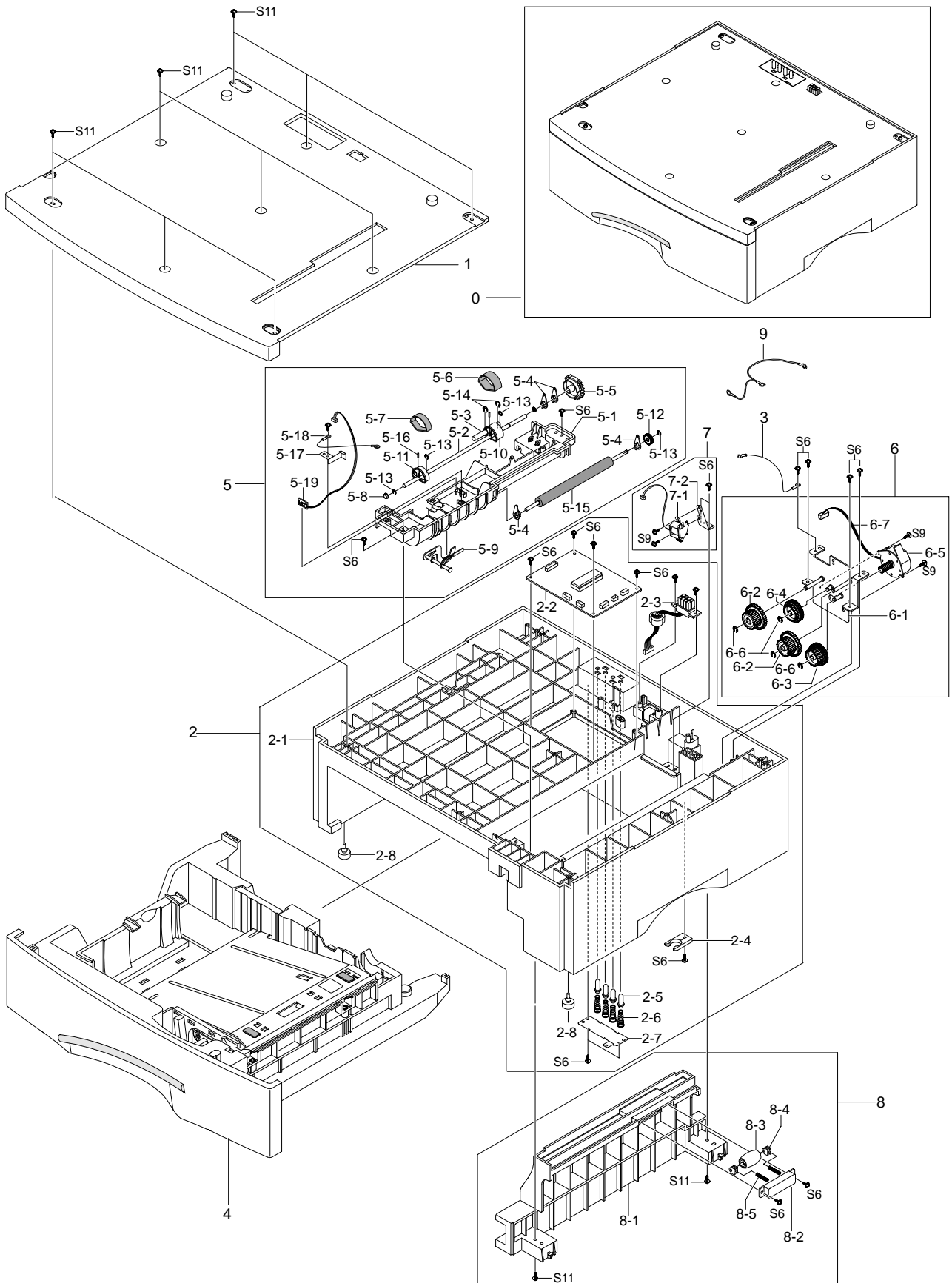
## 8.17 Main Frame Ass'y



# 8.18 Fuser Ass'y



## 8.19 SCF Unit(Option Cassette)



# Service Parts List (Model code : SCX-6322DN\_XEG)

SA : SERVICE AVAILABLE SNA : SERVICE not AVAILABLE DNA : DELIVERY not AVAILABLE

Drawer#	SEC-Code	Description & Specification	Location	Service
8.1-1-1	JC96-04180E	ELA HOU-SCANNER;SCX-6322DN,-,XEG,DADF,-,		SA
8.1-2	JC97-01556C	MEA UNIT-COVER PA EX;SCX-6322DN,-,-,-,-,		SA
8.1-2-1	JC72-00354D	PMO-TRAY EXT MP NE;SCX-6322DN,HIPS,G7191		SA
8.1-2-2	JC72-00786C	PMO-COVER PAPER EXIT;SCX-6322DN,HIPS,G71		SA
8.1-3	JC97-01736D	MEA UNIT-CASSETTE;SCX-6322DN,-,-,-,-,-,		SA
8.1-4	JC97-01572C	MEA UNIT-COVER FRONT;SCX-6322DN,-,-,-,-,-,		SA
8.1-5	JC59-00014C	UNIT-LSU,600DPI,22;SCX-6320F,-,-,600DPI,	L7052	SA
8.1-6	JC96-04178B	ELA HOU-SHIELD SMPS;SCX-6322DN,-,-,220V,		SA
8.1-7	JC92-01793C	PBA SUB-LIU;SCX-6322DN,SEC,SEC,LIU,FAX,S		SA
8.1-8	6103-000117	SUPPORTER;DACN-6N,L10,NTR,NYLON66		SNA
8.1-8	6103-000101	SUPPORTER;DAL5-10N,H10,NTR,NYLON66		SNA
8.1-9	JC96-02715C	ELA HOU-PICK UP PLUS;SCX-6322DN,-,-,-,-,-,		SA
8.1-10	JC96-02183D	ELA HOU-SIDE COVER;SCX-6322DN,-,-,-,-,-,		SA
8.1-11	JC96-02182B	ELA HOU-MP;SCX-6322DN,-,-,-,-,-,-,		SA
8.1-12	JC96-04010C	ELA HOU-BASE FRAME;SCX-6322DN,-,-,-,-,-,-,		SA
8.1-13	JC97-01850A	MEA UNIT-FEED ROLLER;SCX-6320F,XEROX,USA	F6113	SA
8.1-14	JC96-03022C	ELA HOU-FUSER E_COIL;SCX-6320F,SEC,-,FUS		SA
8.1-15	JC96-04012B	ELA HOU-FRAME MAIN;SCX-6318F,XEROX,-,220		SA
8.1-16	JC97-01643D	MEA UNIT-EXIT;SCX-6322DN,-,-,-,-,-,-,		SA
8.1-17	JC96-04183A	ELA HOU-ENGINE DRIVE;SCX-6322DN,-,-,-,-,-,		SA
8.1-18	JC97-01851D	MEA UNIT-REAR COVER;SCX-6322DN,-,-,-,-,-,		SA
8.1-18-1	JC63-00192C	COVER-MAIN REAR DUMMY;SCX-6322DN,HIPS,-,		SA
8.1-18-2	JC63-00191B	COVER-MAIN REAR;SCX-6322DN,PC+ABS,T2.5,2		SA
8.1-19	JC92-01792D	PBA MAIN-CONTROLLER;SCX-6322DN,SEC,SEC,2		SA
8.1-20	JC63-01089C	COVER-PANNEL MFP;SCX-6322DN,HIPS,2,48.70		SNA
8.1-21	JC96-02311A	ELA HOU-DUCT FAN;SCX-5312F,XEROX,-,DUCT	D1006	SA
8.1-21-1	JC31-00012A	FAN-DC;AD0624MSA70GL(R1)DOL,ML-5000,PBT+	F5016	SA
8.1-21-2	JC72-00807A	PMO-DUCT FAN;SCX-5100,-,ABS,BLK,V0,-,-	F5024	SA
8.1-24	JC33-00007A	SOLENOID-PICK UP;- ,SCX-5100,DC 24V,80,36	P2163	SA
8.1-25	JC72-00790B	PMO-COVER EXIT REAR;SCX-6322DN,HIPS,G719		SA
8.1-26	JC97-01624B	MEA UNIT-GUIDE CST PA;SCX-6322DN,-,-,-,-,-,		SA
8.1-26-1	JC72-00836A	PPR-SHEET/GUIDE PAPER;SCX-5100,PC SHEET,	S5048	SA
8.1-26-2	JC72-00791B	PMO-GUIDE CST RAIL;SCX-6322DN,PC+ABS,G71		SA
8.1-26-3	JC63-00078A	SHEET-FEED;SCX-5312F,PC,0.2T,10,32,CLEAR		SNA
8.1-26-4	JC70-00244A	IPR-GUIDE CASSETTE PAPER;SCX-5100,SUS304	C4010	SA
8.1-28	JC72-00789B	PMO-DUMMY BASE FRAME;SCX-6322DN,HIPS,G71		SA
8.1-29	JC96-04182A	ELA HOU-SHIELD MAIN;SCX-6322DN,-,-,-,-,-,-,		SA
8.1-29-1	JC63-01092A	SHIELD-P_MAIN BOARD;SCX-6318F,SECC,0.8,2		SNA
8.1-29-2	JC39-00604A	HARNESS-INLET;SCX-6318F,CBF,UL1015,-,275		SA
8.1-29-3	JB39-00103A	CBF HARNESS-LIU GND;SCX-1110F,WIRE,UL100	L5004	SA
8.1-30	JC72-00801A	PMO-COVER FEED AY;SCX-5100,-,ABS ,BLK,V0	F6164	SA
8.1-32	JC72-00835B	PMO-GUIDE PAPER OUT;SCX-6322DN,ABS,G7191		SA
8.1-33	JC63-00072A	SHEET-CONNECTOR;SCX-5312F,PVC,0.5,-,-,BL	Z0019	SA
8.1-34	JC39-00336A	CBF HARNESS-LSU;SCX-6320F,CBF,UL1061,12P	L7002	SA
8.1-35	JC39-00590A	HARNESS-HVPS;SCX-6318F,CBF,UL1061,20PIN,		SA
8.1-37	JC39-00598B	HARNESS-MAIN_MOTOR;SCX-6322DN,CBF-HARNES		SA
8.1-38	JC66-00335A	GEAR-PICK_UP;SCX-5100,POM,M0.8,Z47,-,NTR	P2056	SA
8.1-39	JC70-00248A	IPR-SHIELD SMPS UPPER;SCX-5100,SECC,-,T0	S7037	SA
8.1-40	JC97-01574A	MEA UNIT-HOLD GND ASS'Y;SCX-5312F,XEROX,	K3571	SA
8.1-40-1	JC61-70203A	SPRING ETC-PLATE TR;SL-1050,SUS304CSP-3/		SA
8.1-40-2	JC61-70961A	SPRING ETC-TR_L;ML-6000,SWP-B,PI0.45,-,O		SA
8.1-40-3	JC72-40228A	PMO-BUSH;ML-80,POM,BLK,-,-	K3846	SA
8.1-40-4	JC72-00883A	PMO-HOLDER GND TR;SCX-5312F,PC+ABS,EMBER	K3986	SA
8.1-41	JC97-01573A	MEA UNIT-HOLD GEAR ASS'Y;SCX-5312F,XEROX	G0468	SA

SA : SERVICE AVAILABLE SNA : SERVICE not AVAILABLE DNA : DELIVERY not AVAILABLE

Drawer#	SEC-Code	Description & Specification	Location	Service
8.1-41-1	JC61-70906A	SPRING ETC-TR_R;ML-165,SUS304WPB,PI0.5,-		SA
8.1-41-3	JC72-00884A	PMO-HOLDER GEAR TR;SCX-5312F,PC+ABS,EMBE	G0520	SA
8.1-44	JC72-00799A	PMO-CAM JAM REMOVE;SCX-5100,-,ABS GF20%,	K3859	SA
8.1-45	JC72-00805A	PMO-LOCKER DEVE;SCX-5100,PC+ABS,EMBER GO	L6031	SA
8.1-46	JC72-00804A	PMO-LEVER JAM REMOVE;SCX-5100,ABS,ICE GR	L4052	SA
8.1-47	JC39-00601C	HARNESS-POWER_SWITCH;SCX-6322DN,CBF,-,-,		SA
8.1-48	JC66-40947A	GEAR-TRANSFER;ML-6000,POM,M0.6,Z30,-,BLK	G0448	SA
8.1-49	JC72-41191A	PMO-BEARING SHAFT;ML-6000,POM,WHT,-,M90-		SA
8.1-50	JC75-00148A	MEC-TRANSFER ROLLER;SCX-5312F,XEROX,SPON	T3010	SA
8.1-51	JC72-00834A	PMO-COVER BRKT MOTER;SCX-5100,HIPS,BLK,-	Z2542	SA
8.2-1	JC96-02943B	ELA HOU-DADF;SCX-6322DN,-,-,-,-,-		SA
8.2-2	JC96-04170E	ELA HOU-OPE;SCX-6322DN,-,XEG,-,-,-,-		SA
8.2-3	JC96-04171A	ELA HOU-PLATEN;SCX-6322DN,-,-,-,-,-		SNA
8.3-1	JC63-01155E	COVER-DUMMY;SCX-6322DN,HIPS,2.0,24.5,97.		SNA
8.3-2	JC63-01156E	COVER-OPE;SCX-6322DN,HIPS,2.5,-,540.0,HB		SNA
8.3-3	JC64-00242A	KEY-M_STOP CLEAR;SCX-5530FN,HIPS,18.6*8.		SNA
8.3-4	JC64-00243A	KEY-M_START BLACK;SCX-5530FN,HIPS,19.3*8		SNA
8.3-5	JC64-00239A	KEY-M_TEL;SCX-5530FN,ABS,60.2*66.1*14.5,		SNA
8.3-7	JC64-00241A	KEY-M_FAX;SCX-5530FN,ABS,22.8*55*14,HB,D		SNA
8.3-8	JC64-00249A	KEY-M_ON HOOK;SCX-5530FN,ABS,37.8*11.3*7		SNA
8.3-9	JC64-00248A	KEY-M_MENU;SCX-5530FN,ABS,84.2*16.5*15.5		SNA
8.3-10	JC67-00198A	LENS-STATUS;SCX-6322DN,PMMA,MILKY WHITE,		SNA
8.3-11	JC73-00246A	RUBBER-TEL;SCX-6322DN,SILICON,82*145.4,-		SA
8.3-12	JC73-00247A	RUBBER-MODE;SCX-6322DN,SILICON,83.5*21.5		SA
8.3-13	JC73-00230A	RUBBER-MENU;SCX-5530FN,SILICON,85.6*16.6		SNA
8.3-14	JC63-01157A	COVER-LCD;SCX-6322DN,PC,1.5,38.2,118.8,-		SNA
8.3-15	JC64-00247A	KEY-M_MODE SCAN;SCX-5530FN,PMMA,16.4*20.		SNA
8.3-16	JC64-00245A	KEY-M_MODE COPY;SCX-5530FN,PMMA,16.4*20.		SNA
8.3-17	JC64-00246A	KEY-M_MODE FAX;SCX-5530FN,PMMA,16.4*20.4		SNA
8.3-18	JC73-00248A	RUBBER-FAX;SCX-6322DN,SILICON,24.9*57.4,		SA
8.3-19	JC73-00245A	RUBBER-EMAIL;SCX-6322DN,SILICON,226.9*72		SA
8.3-20	JC96-03994C	ELA UNIT-OPE;SCX-6322DN,SEC,SEC,22ppm,-,		SNA
8.3-21	JC92-01791D	PBA SUB-QWERTY;SCX-6322DN,SEC,SEC,-,-,FR		SA
8.3-23	6003-000196	SCREW-TAPTITE;PWH,+ ,B,M3,L10,NI PLT,SWRC	Z4397	SA
8.3-23	6003-000198	SCREW-TAPTITE;PWH,+ ,B,M3,L12,ZPC(YEL),SW		SNA
8.3-23	6003-000221	SCREW-TAPTITE;PWH,+ ,S,M4,L8,ZPC(YEL),SWR		SNA
8.3-23	6003-001149	SCREW-TAPTITE;PWH,+ ,S,M4,L10,ZPC(YEL),SW		SA
8.3-23	6003-001324	SCREW-TAPTITE;BH,+ ,B,M4,L16,NI PLT,SWRCH		SA
8.3-23	6003-000264	SCREW-TAPTITE;PWH,+ ,B,M3,L6,ZPC(YEL),S	Z4512	SNA
8.4-33	JC96-04034B	ELA HOU-SCAN UPPER;SCX-6322DN,-,-,-,-,-		SA
8.4-33-1	JC72-00758B	PMO-COVER SCAN UPPER;SCX-6322DN,HIPS,G71		SA
8.4-33-2	JC97-02800A	MEA UNIT-DUMMY UPPER;SCX-6322DN,-,-,-,-,-		SA
8.4-33-2-1	JC72-00759D	PMO-DUMMY UPPER;SCX-6322DN,PC+ABS,G71918		SA
8.4-33-2-2	JC74-00019A	MCT-GLASS ADF;SCX-5100,GLASS,238.4*19*2.	G1009	SA
8.4-33-2-4	JC63-00074A	SHEET-DUMMY UPPER;SCX-5312F,PET,0.188,22	D2132	SA
8.4-33-3	JC72-00809B	SHEET ABS-REGI_EDGE;SCX-6320F,PC SHEET,N		SA
8.4-33-5	JC02-00013A	TAPE ETC-DOUBLE TAPE SMALL;9448HK,DOUBLE		SNA
8.4-33-6	JC02-00012A	TAPE ETC-DOUBLE TAPE LARGE;SCX-5312F,944		SNA
8.4-33-7	JC74-00018A	MCT-GLASS SCANNER(LEGAL);SCX-5100,GLASS,	G1010	SA
8.4-33-10	JB70-00148A	IPR-HOLDER GLASS;SCX-1110/XRX,SUS304,-,1	Z4327	SA
8.4-34	JC96-04172A	ELA HOU-SCAN LOWER;SCX-6322DN,-,-,-,-,-		SA
8.4-34-1	JC63-00157B	COVER-SCAN LOWER;SCX-6322DN,HIPS,-,533.9		SNA
8.4-34-2	JC72-00753B	PMO-COVER DUMMY LOWER;SCX-6322DN,HIPS,G7		SA
8.4-34-4	JB70-00154A	ICT-INSERT SHAFT;SCX-1110/XRX,SUM24L,5,-		SNA
8.4-34-5	JB72-00763A	PMO-PULLEY;SCX-1110/XRX,-,POM,WHT,-,-,-	Z4334	SA
8.4-34-6	JB72-00764A	PMO-HOLDER BELT;SCX-1110/XRX,-,POM,WHT,-	Z4329	SA
8.4-34-7	6044-000125	RING-E;ID4,OD9,T0.6,PASS,STSC	R0004	SA
8.4-34-8	JC96-02759B	ELA HOU-CCD MODULE;SCX-6320F,XEROX,USA,6	C5014	SA

SA : SERVICE AVAILABLE SNA : SERVICE not AVAILABLE DNA : DELIVERY not AVAILABLE

Drawer#	SEC-Code	Description & Specification	Location	Service
8.4-34-9	6602-001090	BELT-TIMING GEAR;-FIBER GLASS,T3.2,-,94		SA
8.4-34-11	JC61-00703A	HOLDER-M-CCD(UMAX);SCX-6320F,HIPS,-,-,-,	H4025	SA
8.4-34-12	JB61-70939A	SPRING ETC-EXIT;SKYDOME,SUS304 WPB,D0.23		SNA
8.4-34-13	JC70-00228A	IPR-BRK SCAN BD;SCX-5100,SECC,-,1.0T,-,-	K3269	SA
8.4-34-14	JC63-00158B	COVER-CCD CABLE;SCX-6322DN,HIPS,-,186,74		SNA
8.4-34-15	JC72-00755A	PMO-LEVER SENSOR;SCX-5100,POM,BLK,-,-,HB	L4074	SA
8.4-34-16	JB61-00059A	SPRING ETC-BELT;SCX-1110/XRX,SUS304WP,¥0	B2030	SA
8.4-34-17	6002-000175	SCREW-TAPPING;PWH,+ ,2,M3,L8,ZPC(YEL),SM2		SA
8.4-34-17	6002-000101	SCREW-TAPPING;BH,+ ,2,M3,L10,ZPC(BLK),SWR		SA
8.4-34-17	6002-000300	SCREW-TAPPING;PH,+ ,2,M2,L10,ZPC(YEL),SWR		SA
8.4-34-18	JC96-02751A	ELA HOU-SCAN MOTOR;SCX-5315F,SAMSUNG,USA		SA
8.4-34-18-1	JC61-00702A	BRACKET-MOTOR PLATEN;SCX-6320F,SECC ,T1.		SNA
8.4-34-18-2	6003-000269	SCREW-TAPTITE;BH,+ , - ,S,M3,L6,ZPC(YEL),SW	Z4513	SA
8.4-34-18-3	JB66-00083A	GEAR-IDLE;SCX-1110/XRX,POM,0.5,31,-,WHT,	Z4330	SA
8.4-34-18-4	JC66-00530A	GEAR-REDUCTION73/37;SCX-6320F,POM(M90-44	G0412	SA
8.4-34-18-5	JC66-00531A	GEAR-TIMING;SCX-6320F,POM(M90-44),M0.5,Z	G0434	SA
8.4-34-18-8	JB31-00011A	MOTOR STEP-SCAN;M42SP-4TKC,SCX-1110/XRX,	Z4331	SA
8.4-34-19	6502-000121	CABLE CLAMP;DAMC-101,D7~8,L19,SCP-1,NTR	Z4538	SNA
8.4-34-19	6502-000132	CABLE CLAMP;DAWS-1NE,ID11,L21.0,NTR,NYLO	C0069	SA
8.4-34-19	6502-000159	CABLE CLAMP;DAWS-INF,W5,T7,NYLON66,NTR		DNA
8.4-34-19	6502-001093	CABLE CLAMP;DAWS-3NE,ID11*L34.8,-,NYLON6	C0002	SA
8.4-34-21	6003-001256	SCREW-TAPTITE;BH,+ ,B,M4,L10,NI PLT,SWRCH	Z4515	SNA
8.4-34-22	JC39-00340A	CBF HARNESS-OPE;SCX-6320F,CBF,UL1061,7P,		SA
8.4-34-23	JB39-00077A	CBF HARNESS-SCAN MOTOR;SCX-1110,WIRE,UL,	S0005	SA
8.4-34-24	JB39-00065A	CBF HARNESS-DRIVER GND;SCX-1000S,GND WIR		SNA
8.4-34-25	JC39-00236A	CBF SIGNAL-CCD FFC;SCX-5315F,24,FFC,700M	C5008	SA
8.4-34-26	JC39-00338A	CBF HARNESS-SCAN_DSUB;SCX-6320F,CBF,UL10		SA
8.4-34-27	JB96-01381A	ELA UNIT-CORE;SCX-1100,SAMSUNG,CORE ASS'	Z4339	SA
8.4-34-28	JC66-00532A	SHAFT-CCD(UMAX);SCX-6320F,SUM24L,503MM,D	S4091	SA
8.4-34-28	JC70-00239A	IPR-CHANNEL BASE FRAME;SCX-5100,SECC,-,T	B0085	SA
8.5-1-2	JF70-10616A	IPR-WASHER SPRING CU;CF3400,SUS301-CSP,-	Z4346	SA
8.5-1-5	JF72-41354A	PMO-GEAR PINION;CF4500,POM,NTR+WHT(DELR)	G0510	SA
8.5-1-15	JG72-40663A	PMO-ROLL PINCH;SF5500,POM(DERLIN 500P),B	Z4350	SA
8.5-2-2	JB73-00052A	RMO-ADF RUBBER;SCX-1110F,SILICON RUBBER,	Z4373	SA
8.5-3-1	JB61-00076A	SPRING ETC-TORSION DOC (CC2-F);SCX-1110F	O1013	SA
8.5-3-2	6044-000159	RING-C;ID3,OD7,T0.6,PASS,STSC	Z4357	SA
8.5-3-10	JG72-40732A	PMO-BUSHING HOLDER;SF5500,POM,WHT,-,-,HB		SNA
8.5-3-11	JC61-00062A	SPRING ETC-CLUTCH;ML-4500,SWP,-,7.8,-,21	C9078	SA
8.5-3-11	JB61-70904A	SPRING ETC-CLUTCH;AMUNDSEN,SWRS82A,D11.4	Z4381	SA
8.5-3-13	JC61-00548A	SPRING ETC-WHITE BAR;SCX-5312F,SUS304WPB	Z4294	SA
8.5-3-14	JC70-00225A	IPR-BRKT WHITE BAR;SCX-5150,SECC,-,T1.0,	K3289	SA
8.5-3-15	JC72-00752A	PPR-WHITE BAR SHEET;SCX-5100,PET,WHT,T0.	S5050	SA
8.5-3-16	JC02-00014A	TAPE ETC-ANTI BRUSH;SCX-5312F,9448HK,A/L		SNA
8.5-3-22	JC72-00746A	PMO-ACTUATOR SENSOR SCAN;SCX-5150,-,ABS+	S3076	SA
8.6-1	JC96-02942B	ELA HOU-COVER PLATEN;SCX-6322DN,-,-,-,-,		SA
8.6-2	JC63-00200B	COVER-FRONT;SCX-6322DN,HIPS,-,95.22,243.		SA
8.6-3	JC63-00201B	COVER-REAR;SCX-6322DN,HIPS,2.5T,63.6,243		SA
8.6-4	JC96-02973B	ELA HOU-DADF SUB;SCX-6322DN,-,-,-,-,-,		SA
8.6-5	JC97-01840B	MEA UNIT-TX STACKER;SCX-6322DN,-,-,-,-,-		SA
8.6-5-1	JC72-01253B	PMO-TX STACKER;SCX-6322DN,HIPS,G71918,32		SA
8.6-5-2	JC61-00739B	GUIDE-DOC_LEFT;SCX-6322DN,ABS,-,121.3,11		SNA
8.6-5-3	JC61-00740B	GUIDE-DOC_RIGHT;SCX-6322DN,ABS,-,121.1,1		SNA
8.6-5-6	JC72-01250B	PMO-ACTUATOR LENGTH;SCX-6322DN,ABS+GF10%		SA
8.6-5-7	JC72-01254B	PMO-TX STACKER LOWER;SCX-6322DN,HIPS,G71		SA
8.7-1	JC63-00198B	COVER-PLATEN;SCX-6322DN,HIPS,3.2T,37.13,		SNA
8.7-2	JC72-01251B	PMO-EXTENTION PLATEN;SCX-6322DN,HIPS,SP-		SNA
8.7-3	JC61-00746B	GUIDE-EXTENTION;SCX-6322DN,HIPS,2.5T,-,1		SNA
8.7-6	JC70-00468A	IPR-P_PINCH(SCAN);SCX-6320F,STS301,-,0.5		SNA

SA : SERVICE AVAILABLE SNA : SERVICE not AVAILABLE DNA : DELIVERY not AVAILABLE

Drawer#	SEC-Code	Description & Specification	Location	Service
8.7-7	JC66-00659A	SHAFT-PINCH;SCX-6320F,SUS,-,PI 2.6,-,-,S	G2324	SA
8.7-9	JC92-01562A	PBA SUB-GATE;SCX-6320F,XEROX,USA,GATE SE	H5025	SA
8.7-10	JC97-01839A	MEA UNIT-HINGE(MCK2);SCX-6320F,XEROX,USA	H3041	SA
8.7-11	JC61-00819A	PLATE-P-DUMMY PLATEN;SCX-6320F,SECC,T1.0	D2043	SA
8.7-12	JC61-70925A	SPRING ETC-CHARGE;ML-6000,-,D0.5,ID3.9,-		SA
8.8-1	JC97-01844B	MEA UNIT-COVER OPEN;SCX-6322DN,-,-,-,-		SA
8.8-1-1	JC63-00195B	COVER-OPEN;SCX-6322DN,HIPS,3.0T,-,255.9,		SA
8.8-1-2	JC72-41396B	PMO-STOPPER EXIT;SF-5100,NYLON,NTR,-,-,P		SA
8.8-1-4	JC66-00587A	ROLLER-REGI;SCX-6320F,SUM24L+EPDM,D17.38	K4229	SNA
8.8-1-5	JC72-01256B	PMO-LEVER OPEN;SCX-6322DN,HIPS,G71918,-,		SNA
8.8-1-6	JC61-00483A	SPRING ETC-KNOCKUP,MP;SCX-5100,SUS304-WP	Z4206	SA
8.8-1-7	JC92-01561A	PBA SUB-REGI;SCX-6320F,XEROX,USA,REGI SE	H5015	SA
8.8-1-8	JC72-01261A	PMO-ACTUATOR REGI;SCX-6320F,ABS+GF10%,BL		SNA
8.8-1-9	JC63-00197B	COVER-SENSOR;SCX-6322DN,ABS,2.5T,76.1,21		SA
8.8-1-11	JC61-00423A	BUSH-6_D;ML-9400W,BEARING OIL,-,-,-,NTR,	B0025	SA
8.8-1-13	JC63-00315A	GROUND-P DUPLEX;SCX-6320F,C5210P 1/2H,T0		SNA
8.8-1-14	JC63-00408B	COVER-HARNESS;SCX-6322DN,HIPS,2.0T,13.5,		SNA
8.8-2	JC61-00738B	GUIDE-SCAN;SCX-6322DN,PC+ABS,-,-,-,G7191		SNA
8.8-3	JC63-00249A	GROUND-P_SCAN ROLLER;SCX-6320F,SUS301-3/		SNA
8.8-4	JC63-00250A	GROUND-P_EXIT ROLLER;SCX-6320F,SUS301-3/		SNA
8.8-5	JC92-01556A	PBA SUB-SENSOR_IF;SCX-6320F,XEROX,USA,SE		SA
8.8-8	JC63-00185A	SHEET-GUIDE PAPER;SCX-6320F,PET,T0.125,-		SNA
8.8-9	JC66-00588A	ROLLER-EXIT;SCX-6320F,SUM24L+EPDM,D17.38	R1083	SA
8.8-10	JC66-00571A	GEAR-DADF_EXIT31;SCX-6320F,POM,M0.5,Z31,		SA
8.8-11	JC97-01841B	MEA UNIT-COVER EXIT;SCX-6322DN,-,-,-,-		SNA
8.8-11-1	JC63-00196B	COVER-EXIT;SCX-6322DN,ABS,2.5T,42.29,237		SA
8.8-11-3	JC72-00906A	PMO-ROLLER IDLE SCAN;SF-830,ROLLER IDLE	K4066	SA
8.8-11-4	JC66-00661A	SHAFT-EXIT IDLE;SCX-6320F,SUM24L,-,PI 3.	F6100	SA
8.8-11-6	JC63-00203A	GROUND-P-EXIT COVER;SCX-6320F,C5210P 1/2		SNA
8.8-12	JC66-00585A	ROLLER-SCAN;ML-2150,SUM24L+EPDM,D17.38,2	K3455	SA
8.8-15	JC66-00570A	GEAR-DADF_SCAN31;SCX-6320F,POM,M0.5,Z31,		SA
8.8-16	JC97-01848A	MEA UNIT-PICK_UP;SCX-6320F,XEROX,USA,DAD	P2023	SA
8.8-17	JC47-00003C	MEP-CLUTCH SMALL;ES24SSM051,SCX-6320F,3.	C9052	SA
8.8-18	JC96-02940A	ELA HOU-DUPLEX MOTOR;SCX-6320F,XEROX,USA	D4021	SA
8.8-19	JC31-00034A	MOTOR STEP-DUPLEX;SP-42RC-140M,SCX-6320F	M2156	SA
8.8-20	JC70-00218A	IPR-GUARD C/O S/W;SCX-5100,SUS301CSP,-,0	K3339	SA
8.8-21	JC39-00332A	CBF HARNESS-COVER_OPEN;SCX-6320F,CBF,UL1	Z2104	SA
8.8-22	JC31-00033A	MOTOR STEP-DADF;X03-42D2-0280,SCX-6320F,	M2155	SA
8.8-23	JC96-02941A	ELA HOU-DADF MOTOR;SCX-6320F,XEROX,USA,D	M2128	SA
8.8-24	JC63-00307A	COVER-P GEAR;SCX-6320F,SECC,1.2T,110,83.	P5106	SA
8.8-26	JC66-00565A	GEAR-DADF24(A);SCX-6320F,POM,M1.0,Z24,-,	C9030	SA
8.8-26	JC66-00565B	GEAR-DADF24(A);SCX-6345N,SW01,M1.0,Z24,5		SA
8.8-27	JC72-01255A	PMO-GATE DUPLEX;SCX-6320F,PC+GF10%,BLK,-		SA
8.8-28	JC92-01554B	PBA SUB-DADF;SCX-6322FN,SEC,SEC,22ppm,-,		SA
8.8-29	JC39-00327A	CBF HARNESS-CLUTCH_IF;SCX-6320F,CBF,UL10		SA
8.8-30	JC39-00359A	CBF D SUB CABLE-DADF;SCX-6320F,15/16,16,		SA
8.8-31	JC72-01249A	PMO-ACTUATOR SCAN;SCX-6320F,ABS+GF10%,BL	S0055	SA
8.8-32	JC72-01263A	PMO-ACTUATOR DUPLEX;SCX-6320F,ABS+GF10%,	S0054	SA
8.8-33	JC39-00334A	CBF HARNESS-DADF_GND;SCX-6320F,CBF,UL100		SA
8.8-34	JC66-00589A	ROLLER-DUPLEX;SCX-6320F,SUM24L+EPDM,D17.	D3010	SA
8.8-36	JC61-00737B	GUIDE-DUPLEX_INNER;SCX-6322DN,HIPS,2.5T,		SA
8.8-37	JC61-00735B	GUIDE-DUPLEX_LOWER;SCX-6322DN,HIPS,2.5T,		SA
8.8-38	JC97-01843A	MEA UNIT-GUIDE DUPLEX;SCX-6320F,XEROX,US	D3026	SA
8.8-39	JC97-01847B	MEA UNIT-GUIDE_P UP;SCX-6322DN,-,-,-,-		SA
8.8-39-1	JC61-00733B	GUIDE-PICK_UP_UPPER;SCX-6322DN,HIPS,2.5T		SNA
8.8-39-2	JC97-01846B	MEA UNIT-HOLDER RUB;SCX-6322DN,-,-,-,-		SA
8.8-39-3	JC92-01783A	PBA SUB-PAPER SEN;SCX-6320F,XEROX,-,PAPE		SNA
8.8-39-4	JC92-01564A	PBA SUB-EXIT_OPEN;SCX-6320F,XEROX,USA,EX	M0330	SA



SA : SERVICE AVAILABLE SNA : SERVICE not AVAILABLE DNA : DELIVERY not AVAILABLE

Drawer#	SEC-Code	Description & Specification	Location	Service
8.8-39-5	JC72-01248A	PMO-ACTUATOR DOC;SCX-6320F,ABS+GF10%,BLK		SA
8.8-39-6	JC61-00732B	GUIDE-PICK_UP_LOWER;SCX-6322DN,HIPS,-,68		SNA
8.8-40	JC97-01845B	MEA UNIT-SUPPORT P UP;SCX-6322DN,-,-,-		SA
8.8-40-1	JC61-00742B	SUPPORT-PICK UP;SCX-6322DN,HIPS,2.0T,-,2		SNA
8.8-40-2	JC61-00482A	SPRING ETC-PICKUP;SCX-5100,SUS304-WPB,PI	P2913	SA
8.8-40-3	JC61-00788B	GUIDE-DOC SENSOR;SCX-6322DN,HIPS,-,21.8,		SNA
8.8-41	JC61-00720A	BUSH-10_D;SCX-6320F,BEARING OIL,PI10,OD1		SNA
8.8-43	JC61-00884A	BUSH-6_D(L);SCX-6320F,REARING OIL,6,14,1		SNA
8.8-44	JC66-00683A	SHAFT-GATE_DUPLEX;SCX-6320F,SUM24L,229.3		SNA
8.8-45	JC66-00662A	SHAFT-REGI;SCX-6320F,SUM24L,47.5,PI 6.0,		SA
8.8-46	JC39-00344A	CBF HARNESS-SENSOR_IF;SCX-6320F,CBF,UL10		SA
8.9-1	JC97-01578B	MEA UNIT-DUPLEX;SCX-6320F,XEROX,USA,SUPL	D3026	SA
8.9-1-1	JC70-10232D	IPR-E-PLATE SAW(MCK2);SCX-6320F,SUS304CS		SA
8.9-1-2	JC70-00234A	IPR-BRACKET GUIDE B;SCX-5100,SUS,-,0.3,-	G2100	SA
8.9-1-3	JC72-41213B	PMO-HOLDER SAW;SCX-6320F,PC,BLACK,-,-,-		SNA
8.9-1-4	JC70-00229A	IPR-BRACKET GUIDE A;SCX-5100,SECC,-,T0.5	G2099	SA
8.9-1-5	JC72-00731A	PMO-FEED FRAME;SCX-5100,ABS,BLK,-,-,V0,-	F6167	SA
8.9-1-6	JC61-00478A	SPRING ETC-FEED;SCX-5100,SUS304WPB,PI0.7	F6217	SA
8.9-1-7	JC72-00730A	PMO-BUSHING FEED;SCX-5100,POM,BLACK,-,-,	F6161	SA
8.9-1-8	JC66-00341A	GEAR-DUP IDLER 17;SCX-5100,POM,M0.8,Z17,	G0208	SA
8.9-1-9	JC66-00346A	GEAR-MP/DUP DRV;SCX-5100,POM,SW-01,M0.8,	G0340	SA
8.9-1-10	6044-000001	RING-CS;ID3,OD3,T0.25,BLACK,SUS304	Z4513	SNA
8.9-1-11	JC70-00231A	IPR-BRKT GROUND TR;SCX-5100,C5210P,-,T0.	K3276	SA
8.9-1-12	JG72-40744A	PMO-BUSHING TX(B4);CF5700,POM,NTR+WHT(DE	A1013	SA
8.9-1-13	JC70-00232A	IPR-BRKT GROUND A;SCX-5100,SUS,-,0.2,-,-	K3276	SA
8.9-1-13	JC72-00764A	PMO-SHAFT DUP DRIVER;SCX-5100,PC,BLACK,-	S4079	SA
8.9-1-14	JC73-10203A	RPR-RUBBER EXIT;ML-80,EDPM RUBBER,-,-,-,	E4164	SA
8.9-1-15	JC70-00233A	IPR-BRKT G DUP;SCX-5100,SECC,-,0.8,-,-	K3275	SA
8.9-1-16	JC72-00732A	PMO-GP LOWER DP;SCX-5100,ABS,BLK,-,-,HB,	K3885	SA
8.9-1-17	JC72-40361A	PMO-ROLLER_EXIT;SCF(XR),POM,NATURAL,-,M9	R0015	SNA
8.9-1-18	JC61-70976A	SPRING ETC-FUSER EXIT;ML-7000,SUS304-WPB	S0021	SNA
8.9-1-19	JC39-00036A	CBF HARNESS-OPE GND;SF-5100,#18,UL 1007,		SA
8.9-1-20	JC70-00230A	IPR-BRKT GROUND B;SCX-5100,SUS,-,T0.2,-,	K3276	SA
8.9-2	JC97-01909B	MEA UNIT-SIDE SUB;SCX-6322DN,-,-,-,-,-		SA
8.9-2-1	JC72-00806A	PMO-GUIDE DP SIDE;SCX-5100,PC+ABS,BLK,-,	K3894	SA
8.9-2-2	JC61-00919B	GUIDE-SIDE_PUSH;SCX-6322DN,PC+ABS,2.0T,1		SNA
8.9-2-3	JC72-00762D	PMO-LOCKER OPEN;SCX-6322DN,ABS,G71918,36		SA
8.9-2-5	JC72-00763C	PMO-LOCKER SIDE R;SCX-6322DN,ABS,G71918,		SA
8.9-2-6	JC61-00479A	SPRING ETC-LOCKER TORSION;SCX-5100,SUS30	L6057	SA
8.9-2-7	JC72-00766A	PMO-TIE STOPPER;SCX-5100,-,NYLON66,NTR,-	K4094	SA
8.9-2-8	JC97-01577C	MEA UNIT-TRAY;SCX-6322DN,-,-,-,-,-		SA
8.9-2-8-1	JC72-00776B	PMO-TRAY CASE MP;SCX-6322DN,HIPS,G71918,		SA
8.9-2-8-2	JC72-00778D	PMO-TRAY EXT MP;SCX-6322DN,HIPS,G71918,2		SA
8.9-2-8-3	JC72-00547A	PMO-SIDE GUIDE MP;ML-6060,ABS,BLK,-,HB	G2300	SA
8.9-2-8-4	JC72-00777D	PMO-TRAY COVER MP;SCX-6322DN,HIPS,G71918		SA
8.9-2-8-5	JB70-10906A	IPR-GUIDE LATCH;AMUNDSSEN,STS C304-CSP-3/	G2113	SA
8.9-2-8-6	JC72-00857C	PMO-TRAY LINK MP;SCX-6322DN,PC+ABS,G7191		SA
8.10-1	JC72-00877C	PMO-IMPACT CASSETTE;SCX-6322DN,HIPS,G719		SA
8.10-2	JC61-00831A	PLATE-P_GUIDE PAPER;SCX-5315F,SUS304 CSP	P5152	SA
8.10-3	JC70-00221A	IPR-PLATE K/UP;SCX-5100,SECC,-,T1.0,-,-	K3372	SA
8.10-5	JC72-00795B	PMO-COVER CASSETTE;SCX-6322DN,HIPS,G7191		SA
8.10-6	JC72-00716B	PMO-FRAME CASSETTE;SCX-6322DN,HIPS,G7191		SA
8.10-7	JC61-00825C	GUIDE-FRONT CST PLUS;SCX-6322DN,HIPS,7.9		SNA
8.10-8	JC72-00717C	PMO-GUIDE REAR;SCX-6322DN,HIPS,75064,-,-		SA
8.10-9	JC61-00826A	GUIDE-P-SIDE CST;SCX-5315F,SECC,1.2,-,-		SA
8.10-10	JC72-41210A	PMO-LOCKER PLATE;ML-6000,POM,WHT,HB,-	L6038	SA
8.10-11	JC69-00474A	PAD-CST PLUS;SCX-5315F,URETHANE,0.9T,25,		SA
8.10-12	JG61-70531A	SPRING ETC-LOCKER,PLATE;SF6000,STS304WPB	S0025	SA

SA : SERVICE AVAILABLE SNA : SERVICE not AVAILABLE DNA : DELIVERY not AVAILABLE

Drawer#	SEC-Code	Description & Specification	Location	Service
8.10-13	6107-001190	SPRING-CS;SWP-B,ZN(YEL),PI1.2,D23.7,L94.		SA
8.10-13	6107-000103	SPRING-CS;STS304-WPB,DEGRE,PI0.45,D3.45,	Z4529	SNA
8.10-13	6107-001219	SPRING-CS;SWOSC-V,-,PI3.2,D12.4,L55.8,-,		SA
8.10-14	6107-001191	SPRING-CS;SWP-B,BLK,PI1.1,D23.7,L101.5,-		SA
8.10-17	JC61-00824C	GUIDE-SIDE HANDLE;SCX-6322DN,HIPS,7.8,91		SNA
8.10-18	JC70-00325A	IPR-P-FINGER LEFT;ML-2150,SPCC,-,T1.2,-,	F0004	SA
8.10-19	JC61-00653A	BUSH-M-FINGER,F;ML-2150,POM,-,-,-,BLK,-	B0028	SA
8.10-20	6031-001255	WASHER-PLAIN;NYLON,CUTTING,ID5,OD9,T0.5,	W0004	SA
8.10-20	6031-000019	WASHER-PLAIN;- ,ID6.1,OD8.5,T0.1,BLK,POLY	Z4629	SNA
8.10-20	6031-001051	WASHER-PLAIN;M4,ID4.1,OD7.0,T0.13,*,POLY	Z4526	SNA
8.10-20	6031-000023	WASHER-PLAIN;- ,ID5.9,OD10.0,T0.5,BLK,POL		SNA
8.10-20	6031-001247	WASHER-PLAIN;POLYSLIDER,M3,ID3.0,OD7.0,T		SNA
8.10-22	JC61-00840B	GUIDE-SUB WALL;SCX-6322DN,HIPS,-,92.2,11		SNA
8.11-2	JC72-00710A	PMO-GUIDE-EXIT LOWER;SCX-5100,-,PCABS,IV	E4118	SA
8.11-3	JC61-00484A	SPRING ETC-EXIT LOWER IDLE;SCX-5100,SUS3	Z4180	SA
8.11-4	JC61-00547A	HOLDER-EXIT(MC);SCX-5312F,PC,-,-,-,WHITE	H0019	SNA
8.11-5	JC72-41007A	PMO-ROLLER FD F;ML-165,POM,BLACK,-,-,-,-	P0048	SA
8.11-6	JC72-41008A	PMO-ROLLER FD R;ML-165,POM,BLACK,-,-,-,-	P0049	SA
8.11-7	JC61-70911A	SPRING ETC-EXIT ROLL FD;ML-165,SUS304 WP	O1053	SA
8.11-8	JC66-00715A	SHAFT-IDLE_LOWER;SCX-6320F,SUM24L,244.4,		SNA
8.11-10	JC72-00708B	PMO-GUIDE_EXIT UPPER;SCX-6322DN,PC+ABS,G		SA
8.11-11	JC75-00166A	MEC-ROLLER EXIT DRIVE;SCX-6320,-,SUM24L,	E4086	SA
8.11-12	JC72-00885A	PMO-BEARING LARGE DP;SCX-5312F,-,POM,WHT	B1041	SA
8.11-13	JC72-00833A	PMO-ROLLER DECURL;SCX-5100,POM,WHT,-,-,H	K4062	SA
8.11-14	JC72-01345A	PMO-BUSHING DP;CLP-500,POM,WHT,ID5MM,OD		SNA
8.11-15	JC72-40978A	PMO-BEARING LARGE DP;ML-165,POM,BLACK,-,	B1041	SA
8.11-16	JC66-40912A	GEAR-DUPLEX;ML-165,POM,M1.0,Z16,-,WHITE,	D3021	SA
8.11-16	JC72-00771A	PMO-HOLDER PAD,MP;SCX-5100,PC/ABS,BLACK,	P0029	SA
8.11-17	JC72-40980A	PMO-PULLEY DUPLEX;ML-165,POM,BLK,HB,-	P7024	SA
8.11-19	6602-001084	BELT-TIMING GEAR;30S2M224,RUB(CR),T1.36,		SA
8.11-20	JC70-00252A	IPR-GROUND-EXIT;SCX-5100,SUS304,-,T0.2,-	E4052	SA
8.11-21	JC72-00709B	PMO-LEVER_STACKING;SCX-6322DN,PC+ABS,G71		SA
8.11-22	JC75-00095A	MEC-BRUSH ANTISTATIC;ML-6060A,SEC,NTR	M0022	SA
8.11-24	JC92-01400B	PBA SUB-BIN_FULL_SEN;SCX-6318F,SEC,XEROX		SA
8.12-1	JC72-00821A	PMO-FRAME FEED;SCX-5100,-,ABS GF20%,BLK,	F6171	SA
8.12-4	JC70-00267A	ICT-SHAFT FEED;SCX-5100,SUM24L,-,-,-,NI		SNA
8.12-5	JC72-41364A	PMO-BUSHING_P/U,MP;ML-6100,POM,BLACK,-,C	P0035	SA
8.12-8	JC61-00849A	BRACKET-PM_FEED(25);SCX-6320F,SUS430,-,9		SNA
8.12-9	JC72-00727A	PMO-ROLLER FEED;SCX-5100,POM+URETAN,BLAC	F6195	SA
8.12-11	JC72-00725A	PMO-HOLDER PINCH SUB;SCX-5100,PC/GF20%,B	P4012	SA
8.12-12	JC72-40261A	PMO-ROLLER FEED L;ML-80,POM,WHT,-,-,-,-,	F6192	SA
8.12-13	JC61-00871A	HOLDER-PUSH_FEED_CST;SCX-6320F,SWP-B,PI0		SNA
8.12-14	JC72-00724A	PMO-HOLDER PINCH M;SCX-5100,PC+GF20%,BLA	P4012	SA
8.12-15	JC72-40266A	PMO-SUB HOLDER FEED;ML-80,POM,BLK,-,-,-,-,	F6198	SA
8.12-16	JC61-00481A	SPRING ETC-FEED MP;SCX-5100,SUS304-WPB,P	F6218	SA
8.12-17	6031-000021	WASHER-PLAIN;POLY,-,ID6.0,OD16.0,T0.13,B	W0031	SNA
8.12-18	JC72-40262A	PMO-ROLLER FEED S;ML-80,POM,NTR,-,-,-	F6194	SA
8.12-19	JC70-10230A	IPR-SHAFT FEED IDLER;ML-80,SUM24L,NI,-,-		SA
8.12-20	JC63-00259A	SHEET-FEEDER;SCX-5315F,PC,0.25T,-,-,TRAN		SNA
8.12-21	JC72-01315A	PMO-ROLLER PINCH FEED;SCX-6320F,POM,WHT,		SNA
8.13-2	6003-000266	SCREW-TAPTITE;PWH,+ ,S,M3,L6,ZPC(YEL),SWR	Z4516	SNA
8.13-5	JC61-00003A	SPRING ETC--CAM MP;ML-6100,SUS304-WPB,0.	S0020	SA
8.13-8	JC70-00237A	IPR-BRACKET SOLENOIDE;SCX-5100,SECC,-,1.	S8009	SA
8.13-9	JC72-00055A	PMO-HOLDER CAM MPF;ML-6100,POM,WHT,-,-	K3984	SNA
8.13-10	JC72-00056A	PMO-GEAR P/U MPF;ML-6100,POM,WHT,-,-	G0509	SA
8.13-11	JC72-00761A	PMO-ROLLER CAM.MP;SCX-5100,POM,WHITE,-,-	K4061	SA
8.13-12	JC72-00767A	PMO-ACTUATOR,MP;SCX-5100,PC,BLACK,-,-,-,	K3818	SA
8.13-13	JC72-00768A	PMO-ADJUSTER,MP;SCX-5100,POM,BLACK,-,-,-	A3001	SA

SA : SERVICE AVAILABLE SNA : SERVICE not AVAILABLE DNA : DELIVERY not AVAILABLE

Drawer#	SEC-Code	Description & Specification	Location	Service
8.13-14	JC72-00769A	PMO-CAM PICK UP,MP;SCX-5100,PC,BLACK,-,-	P2124	SA
8.13-15	JC72-00770B	PMO-FRAME MP;SCX-6322DN,PC+ABS,G71918,-,		SA
8.13-17	JC72-00772A	PMO-HOLDER SENSOR,MP;SCX-5100,ABS,BLACK,	P0039	SA
8.13-18	JC72-00773A	PMO-HOUSING PICK UP,MP;SCX-5100,POM,BLAC	P2129	SA
8.13-19	JC72-00775A	PMO-PLATE KNOCK UP,MP;SCX-5100,ABS+GF20%	K5007	SA
8.13-20	JC72-41027A	PMO-IDLE PICK UP MP;ML-165,POM,BLK,-,-,-	P2131	SA
8.13-21	JC73-00089A	RPR-RUBBER PICK UP,MP;SCX-5100,EPDM,-,-,	P2147	SA
8.13-22	JC73-00090A	RPR-RCT PAD PICKUP,MP;SCX-5100,SILICON,T	P2146	SA
8.13-23	JC69-00494A	PAD-MP(PLUS);SCX-5315F,URETHANE,0.9T,31,	M0005	SA
8.13-24	JC92-01362A	PBA SUB-MP SEN;SCX-5100,XEROX,USA,MP SEN	M0395	SA
8.14-1	JC72-00779B	PMO-BASE FRAME;SCX-6322DN,HIPS,G71918,54		SA
8.14-2	JC72-00785B	PMO-COVER FRONT DUMMY;SCX-6322DN,HIPS,G7		SA
8.14-3	JC61-00486A	SPRING ETC-TORSION;SCX-5100,SUS304WPB,0.	Z4271	SA
8.14-8	JC61-40001A	FOOT-ML80;ML-80,NBR,-,GRAY,-,-,-	F0003	SA
8.14-9	JC70-00241A	IPR-GROUND PLATE B(BASE);SCX-5100,SUS304	P5051	SA
8.14-11	JC96-01607A	ELA M/M-AUD SPEAKER;SF-5100,SEC,ASSY SPE	S9004	SA
8.14-12	JC61-00789A	BRACKET-M-PUSH DEVE;SCX-6320F,POM,T1.5,-		SNA
8.14-13	JC61-00550A	SPRING ETC-DEVE REAR;SCX-5312F,SUS304WPB	Z4164	SA
8.14-14	JC70-00243A	IPR-GROUND PLATE SCF;SCX-5100,SECC,-,T0.	P5054	SA
8.14-15	JC39-00082A	CBF HARNESS-SCF;ML-6060,WIRE HARNESS,UL1	H1227	SA
8.14-17	JC31-00027B	FAN-DC CARDINAL;AD0424LS-C50,ML-2550,-,-	F5017	SA
8.14-18	JC66-00684A	SHAFT-DEVE_BOTTOM;SCX-6320F,SUM22L,43.2,		SNA
8.14-19	JC61-00551A	SPRING ETC-DEVE FRONT;SCX-5312F,SUS304WP	Z4163	SA
8.14-20	JC61-00855A	HOLDER-M_ROLLER BOTTOM;SCX-6320F,POM,-,-		SNA
8.14-21	JC61-00857A	HOLDER-CATCH CST(MC2);SCX-6320F,POM,-,33		SNA
8.14-22	4302-001183	BATTERY-NIH(2ND);3.6V,280MAH,LAY_PLAT.PL		SA
8.14-23	JC61-00667A	STOPPER-M-FAN80;ML-2150,ABS,-,-,-,BLK,HB	F5029	SA
8.14-24	JC92-01568A	PBA SUB-AIR_TMP;SCX-6320F,XEROX,USA,AIR	M0295	SA
8.15-1	JC70-00238A	IPR-GND FEED;SCX-5100,SUS301,-,T0.15,-,-	F6092	SA
8.15-2	JC70-00235A	IPR-GND INPUT;SCX-5100,SUS301,-,T0.15,-,	K3314	SA
8.15-3	JC70-00222A	IPR-GUIDE INPUT;SCX-5100,SUS304,-,T0.5,-	K3342	SA
8.15-4	JC72-01313A	PMO-M-ACTUATOR_NO PAPER;SCX-5315F,ABS HF		SA
8.15-6	JC92-01361A	PBA SUB-PTL;SCX-5100,XEROX,USA,PTL,SR331	M0411	SA
8.15-7	JC72-00721A	PMO-FEED SENSOR;SCX-5100,PC+ABS,BLK,-,-,	F6169	SA
8.15-8	JC72-00722B	PMO-GUIDE PAPER;SCX-6322DN,HIPS,G71918,-		SA
8.15-9	JC72-00726A	PMO-HOLDER SENSOR FEED;SCX-5100,-,ABS,BL	F6183	SA
8.15-10	JC72-00803A	PMO-LENS TONER SENSOR;SCX-5100,-,ACRYL,T	S3086	SA
8.15-11	JC72-00822A	PMO-PTL PATH;SCX-5100,PC KC7133R,TRP,-,-	K4055	SA
8.15-14	JC61-00822A	HOUSING-M-PICKUP LARGE;SCX-5315F,PC ABS,		SNA
8.15-15	JC61-00823A	HOUSING-M-PICKUP SMALL;SCX-5315F,PC ABS,		SNA
8.16-2	JC31-00020C	MOTOR STEP-MCK2(MAIN);M49SP-2K,SCX-6320F		SA
8.16-3	JC72-00825A	PMO-IMPELLER_DRV;ML-6200,NYLON66,BLK,-,-	O1103	SA
8.16-7	JC66-00345A	GEAR-71/23;SCX-5100,POM,M0.5/1,Z71/23,-,	G0155	SA
8.16-8	JC66-00580A	GEAR-OPC53/37;SCX-6320F,POM,M0.5,Z53/37,		SNA
8.16-9	JC66-00337A	GEAR-86/23;SCX-5100,POM,M0.5/0.8,Z86/23,	G0156	SA
8.16-11	JC66-00350A	GEAR-31/19;SCX-5100,POM,M1,Z31/19,-,NTR,	G0147	SA
8.16-12	JC66-00342A	GEAR-RDCN FEED INNER;SCX-5100,POM,M0.8,Z	F6084	SA
8.16-13	JC66-00338A	GEAR-DEVE DRV;SCX-5100,POM,M0.5,Z61,-,BL	T2101	SA
8.16-14	JC66-00340A	GEAR-HUB CLUTCH;SCX-5100,POM,M0.8,Z13,-,	C9033	SA
8.16-15	JC72-00743A	PMO-DEV/COUPLING;SCX-5100,DE8903,BLK,-,-	K3874	SA
8.16-16	JC66-00343A	GEAR-RDCN FEED OUTER;SCX-5100,POM,M90-44	F6086	SA
8.16-17	JC66-00347A	GEAR-OPC DRV;SCX-5100,POM,M0.6,Z89,-,BLA	G0349	SA
8.16-18	JC75-00163A	MEC-BRAKE GEAR;SCX-6320F,SAMSUNG,POM+FEL		SNA
8.16-19	JC66-00581A	GEAR-OPC 55/31;SCX-6320F,POM,M0.5,Z31/55		SNA
8.16-20	JC61-00853A	BRACKET-P-BRAKE;SCX-6320F,SECC,1.2T,-,-,		SNA
8.16-21	JC66-00348A	GEAR-FEED DRV;SCX-5100,POM,M0.8,Z37,-,NT	F6076	SA
8.16-22	JC66-00333A	GEAR-FUSER DRV INNER;SCX-5100,POM,M1,Z29	F4085	SA
8.16-23	JC66-00334A	GEAR-GEAR FUSER DRV OUTER;SCX-5100,POM,M	F4097	SA

SA : SERVICE AVAILABLE SNA : SERVICE not AVAILABLE DNA : DELIVERY not AVAILABLE

Drawer#	SEC-Code	Description & Specification	Location	Service
8.16-24	JC66-00349A	GEAR-SWING DRV;ML-6000,POM,M1,Z34/17,-,N	G0429	SA
8.16-25	JC66-40211B	GEAR-EXIT/U,ID;ML-1605,POM,M1.0,Z16,-,BL	E4045	SA
8.16-26	JC66-00576A	LINK-P-DUPLEX;SCX-6320F,SECC,-,1.6T,-,-,		SNA
8.17-1	JC72-00800A	PMO-FRAME MAIN;SCX-5100,-,PC+ABS ,BLK,V0	F2242	SA
8.17-3	JC92-01360B	PBA SUB-TONER_RX;SCX-6318F,XEROX,USA,-,-		SA
8.17-4	JC70-00216A	IPR-GND OPC;SCX-5100,SUS301,-,0.2T,-,-,-	O0016	SA
8.17-5	JC39-00592A	HARNESS-OPC GND;SCX-6318F,CBF,UL1007,-,5		SA
8.17-9	JC72-00463A	PMO-CAP CONNECTOR L;ML-6060A,POM,BLACK,-	Z0013	SA
8.17-10	JC72-00465A	PMO-CAP CONNECTOR U;ML-6060A,POM,BLACK,-	Z0014	SA
8.17-12	JC70-00219A	IPR-GND TERMINAL;SCX-5100,C5210P,-,0.2T,	K3317	SA
8.17-13	JC39-00360A	CBF HARNESS-COVER_SW;SCX-6320F,CBF,UL106		SA
8.17-14	JC66-40964A	GEAR-EXIT,IDLE(Z17);ML-5000,NYLON66,M1.0	E4040	SA
8.17-15	6003-000154	SCREW-TAPTITE;PH,+,B,M2,L18,ZPC(YEL),SWR		SA
8.17-16	JC63-00409A	GROUND-P-FUSER_MC2;SCX-6320F,SUS304CSP,0		SNA
8.17-18	JB61-70922A	SPRING ETC-CLUTCH;MJC-810L,SUS304,-,ID4.	C9078	SA
8.17-20	JC70-00214A	IPR-GND EXIT;SCX-5100,SUS304CSP,-,0.2T,-	E4050	SA
8.17-21	JC70-00298A	IPR-TERMINAL OPC;SCX-5312F,SUS304WPB,PI0		SNA
8.17-22	JC61-00723A	HOUSING-M-TERMINAL;SCX-6320F,ABS V0,T2.0		SA
8.17-23	JC70-00272A	IPR-TERMINAL GND;SCX-5100,C5210P,-,0.7,-	K3423	SA
8.17-24	JC70-00271A	IPR-TERMINAL TR;SCX-5100,SUS304WPB,-,-,-	K3426	SA
8.17-25	JC70-00269A	IPR-TERMINAL BLADE;SCX-5100,SUS304WPB,-,	K3421	SA
8.17-26	JC70-00270A	IPR-TERMINAL SUPPLY;SCX-5100,SUS304WPB,-	K3424	SA
8.17-27	JC72-41010A	PMO-HOUSING TERMINAL;ML-165,ABS GF10%,BL	H6086	SA
8.17-28	JC70-10961A	IPR-TERMINAL FU;ML-165,C5210P,-,T0.3,-,-	K3422	SA
8.17-29	6021-000222	NUT-HEXAGON;2C,M3,ZPC(YEL),SM20C,-	Z4564	SNA
8.17-30	6006-000127	SCREW-MACHINE;WS,PH,+,M3,L6,ZPC(YEL),SWR	Z4563	SNA
8.17-30	6001-000568	SCREW-MACHINE;PH,+,M3,L8,NI PLT,SWRCH18A		SA
8.17-30	6001-000131	SCREW-MACHINE;BH,+,M3,L6,ZPC(YEL),SWRCH1		SNA
8.17-36	JC39-00600A	HARNESS-FUSER;SCX-6318F,CBF,UL3122,3PIN,		SA
8.17-37	JC39-00593A	HARNESS-OPC_FUSER;SCX-6318F,CBF,UL1061,-		SA
8.17-38	JC39-00377A	CBF HARNESS-THERM;SCX-6320F,CBF,UL1061,2		SA
8.17-38	JC39-00589A	HARNESS-H_VOLTAGE;SCX-6318F,CBF,UL3239,1		SA
8.18-1	JC96-03023C	ELA UNIT-HEAT ROLLER;SCX-6322DN,-,-,220V		SNA
8.18-2	JC97-01611B	MEA UNIT-ACTUATOR;SCX-6320F,XEROX,-,ACTU		SA
8.18-3	JC72-20902A	PEX-ROLLER F/UP(2);ML-5000A,TEFLON,WHT,-	O1106	SA
8.18-4	JC70-00064A	IPR-PIN ROLLER EXIT;SF-5100,SUS304,PI1.8	Z4605	SNA
8.18-5	JC97-01587B	MEA UNIT-CLAW;SCX-6320F,XEROX,-,CLAW ASS		SA
8.18-5-1	JC61-70909A	SPRING ETC-SAPERATION;ML-165,SUS304 WPB,	Z4254	SA
8.18-5-2	JC72-00376B	PMO-GUIDE CLAW;SCX-6320F,LCP,GRAY,-,-,V0		SA
8.18-6	JC67-00067A	BRUSH-CARBON;SCX-6320F,CU+CABON,-,7.8,7.		SA
8.18-7	6107-001172	SPRING-CS;SUS304,-,PI0.5,D6.7,L17.5,-,-,	S0035	SA
8.18-8	6001-000667	SCREW-MACHINE;PWH,+,M3,L8,ZPC(YEL),SM20C		SNA
8.18-9	JC63-00353A	COVER-M-BRUSH;SCX-6320F,PET GF 30%,-,25.		SNA
8.18-11	JC70-00469A	ELECTRODE-P-FRONT;SCX-6320F,-,-,-,-,-		SNA
8.18-12	4712-001027	THERMOSTAT;125/250VAC,15/7.5A,170+-5C,0C	T0002	SA
8.18-13	6006-001031	SCREW-MACHINE;WSP,PH,+,M3,L10,ZPC(YEL),S		SA
8.18-14	1404-001340	THERMISTOR-NTC;2.119KOHM,-,-,0.4MW/C,-,-		SA
8.18-14	1404-001141	THERMISTOR-NTC;5.6Kohm,5%,3200K,2.1mW/C,		SNA
8.18-15	JC71-00030A	NPR-ELECTRODE M;SCX-5100,C5210P,T0.6,-,-	E0022	SA
8.18-16	6003-000282	SCREW-TAPTITE;BH,+,B,M3,L8,ZPC(BLK),SW	Z4517	SA
8.18-17	JC70-00470A	ELECTRODE-P-GEAR;SCX-6320F,-,-,-,-,-		SNA
8.18-18	JC72-01318A	PMO-UPPER FUSER;SCX-6320F,PET GF30%,BLK,		SNA
8.18-20	JC61-00485A	SPRING ETC-ACTUATOR6G;SCX-5100,SUS304-WP	Z4133	SA
8.18-21	JC66-00679A	LEVER-M-JAM R;SCX-6320F,PET GF30%,4,-,-,		SNA
8.18-22	JC66-00691A	ROLLER-PRESSURE;SCX-6320F,SILICON,D29,RU		SNA
8.18-23	JC72-01316A	PMO-LOWER FUSER;SCX-6320F,PET GF30%,BLK,		SNA
8.18-24	JC70-00259A	IPR-GROUND FU;SCX-5100,SUS304,-,T0.5,-,-	K3326	SA
8.18-25	JC61-00056A	SPRING ETC-PR(7300);ML-7300,PIANO WIRE,1	O1031	SA

SA : SERVICE AVAILABLE SNA : SERVICE not AVAILABLE DNA : DELIVERY not AVAILABLE

Drawer#	SEC-Code	Description & Specification	Location	Service
8.18-26	JC66-10901A	BUSH;ML-165,PPS(RBA313N),14,7.2,-,-,-	O1091	SA
8.18-27	JC72-00817A	PMO-GUIDE INPUT;SCX-5100,PET GF30%,BLK,-	K3904	SA
8.18-28	JC66-00678A	LEVER-M-JAM F;SCX-6320F,PET GF30%,4,-,-,		SNA
8.18-29	JC61-01702A	BUSH-HEAT ROLLER;SCX-6318F,PPS(RFKB-9),2		SNA
Replacement	JC69-01018B	BOX-MAIN;SCX-6322DN,DC3,A-1,645,529,632,		SA
Replacement	JC39-00001A	CBF INTERFACE-USB;ML-6100,4,UL2725,1800	K2897	SA
Replacement	3903-000042	CBF-POWER CORD;DT,EU,FP3/YES,IEC320 C13/	C0022	SA
8.22-5-2	JC66-00672A	SHAFT-PICK_UP CST;SCX-5315F,SUM 24L,275.		SNA
8.22-5-3	JC66-00596A	SHAFT-PICK_UP SUB;SCX-5315F,SUM 22,50,D8	P2156	SA
8.22-5-6	JC73-00145A	RUBBER-ROLLER PICKUP;SCX-5315F,EPDM+IR,P		SA
8.22-5-7	JC73-00163A	RUBBER-PICKUP ROLLER_S;SCX-5315F,EPDM+IR	P2149	SA
8.22-5-14	6044-000231	RING-E;ID5.0,OD11.0,T0.6,PASS,STS304	R0006	SA
8.22-5-16	JB70-00168A	ICT-PIN ADF;SCX-1110F,STS303,D2.0,-,-,-,	I0001	SA
8.22-5-19	JC92-01364C	PBA SUB-EXIT SEN;SCX-6318F,XEROX,USA,-,-		SA
8.22-8-5	JC61-00387A	SPRING ETC-PAD;ML-9400W,SUS304WPB,PI0.5,	S0028	SA
#N/A	6801-001015	CARD-REGISTRATION;XEG,SEASA,GERMAN,MOJO1		SNA
#N/A	JC44-00111A	HVPS;-24V,21.6V~27.6V,-,MAX 5.5KV,MIN -		SA
#N/A	JC68-01775A	MANUAL-INSTALL;SCX-6322DN,SAMSUNG,ENGLIS		SNA
#N/A	JC96-03219A	ELA UNIT-OPC DRUM SET;SCX-6320F,SEC,-,SE		SNA
#N/A	JC96-03220B	ELA UNIT-TONER SET;SCX-6320F,SEC,-,8K,SE		SNA
#N/A	JC96-03586A	ELA HOU-EMBEDDED_MAC;SCX-4920N,SAMSUNG,-	Z4426	SNA
#N/A	JC96-04163A	ELA HOU-ENGINE;SCX-6122FN,-,-,-,-,-		SNA
#N/A	JC96-04169A	ELA HOU-COVER;SCX-6322DN,-,-,-,-,-		SNA
#N/A	JC99-02010A	PAA-PACKING;SCX-6322DN,DISPLAY,-,Packing		SNA
#N/A	JC99-02011A	PAA-LABEL;SCX-6322DN,DISPLAY,-,LABEL,-,-		SNA
#N/A	JC99-02016D	INA-ACCESSORY;SCX-6322DN/XEG,SAMSUNG,GER		SNA
#N/A	0202-001240	SOLDER-WIRE;HSE-01,-,D3,SN/0.5CU/0.03NI/		SNA
#N/A	0202-001492	SOLDER-WIRE FLUX;HSE-02 LFM48 SR-34 S,-,		SNA
#N/A	0203-001100	TAPE-OPP MASKING;OPP/W75/CLR,T0.05,W75,L		SNA
#N/A	0203-001159	TAPE-FILAMENT;#8915,T0.15,W12,L55000,CLR		SNA
#N/A	0203-001189	TAPE-ACETATE;#810,T0.05,W12,L65000,TRP,-		SNA
#N/A	0204-000469	THINNER;#4662,-,0.795,-		SNA
#N/A	0204-002978	FLUX;KSP-70M,-,84%,FLUX,SPRAY		SNA
#N/A	0205-001003	GREASE-BEARING;NYOGEL788,DAMPING GREASE,	Z4539	SNA
#N/A	0205-001080	GREASE-BEARING;NYOGEL 774H,NOISE DAMPING	Z4542	SNA
#N/A	0205-001087	GREASE-BEARING;HANARL RX-405,NOISE DAMPI		SNA
#N/A	0502-000245	TR-POWER;KSB1151-Y,PNP,1.3W,TO-126,-,16		SA
#N/A	2201-002127	C-CERAMIC,DISC;0.47NF,10%,250V,Y5P,TP,8.		SNA
#N/A	2801-003376	CRYSTAL-UNIT;0.032768MHZ,20PPM,28-AAAY,12		SNA
#N/A	2801-003886	CRYSTAL-UNIT;12MHz,50ppm,28-AAA,16pF,50o		SNA
#N/A	2801-004487	CRYSTAL-UNIT;4.9152MHZ,20PPM,HC-49,18PF,		SNA
#N/A	3501-000203	RELAY-MINIATURE;5V,200MW,1000MA,1FORMC,6		SA
#N/A	3702-000118	CONNECTOR-RIBBON;36P,FEMALE,ANGLE,AU		SNA
#N/A	3708-001637	CONNECTOR-FPC/FFC/PIC;24P,1MM,STRAIGHT,S		SA
#N/A	3711-000164	HEADER-BOARD TO CABLE;1WALL,2P,1R,2.5mm,		SNA
#N/A	3711-000225	HEADER-BOARD TO CABLE;1WALL,4P,1R,2.5MM,		SNA
#N/A	3711-002001	HEADER-BOARD TO CABLE;BOX,20P,2R,2MM,STR		SA
#N/A	3711-002003	HEADER-BOARD TO CABLE;BOX,26P,2R,2mm,STR		SNA
#N/A	3711-002809	HEADER-BOARD TO CABLE;BOX,8P,1R,2mm,STRA		SA
#N/A	3711-002812	HEADER-BOARD TO CABLE;BOX,11P,1R,2mm,STR		SNA
#N/A	3711-002813	HEADER-BOARD TO CABLE;BOX,12P,1R,2mm,STR		SA
#N/A	3711-002815	HEADER-BOARD TO CABLE;BOX,14P,1R,2mm,STR		SA
#N/A	3711-003204	HEADER-BOARD TO CABLE;BOX,24P,2R,2mm,STR		SA
#N/A	3711-003408	HEADER-BOARD TO CABLE;BOX,2P,1R,2mm,STRA		SNA
#N/A	3711-003409	HEADER-BOARD TO CABLE;BOX,3P,1R,2mm,STRA		SNA
#N/A	3711-003410	HEADER-BOARD TO CABLE;BOX,4P,1R,2mm,STRA		SNA
#N/A	3711-003411	HEADER-BOARD TO CABLE;BOX,5P,1R,2mm,STRA		SNA
#N/A	3711-003942	HEADER-BOARD TO CABLE;BOX,2P,1R,2mm,STRA		SA

SA : SERVICE AVAILABLE SNA : SERVICE not AVAILABLE DNA : DELIVERY not AVAILABLE

Drawer#	SEC-Code	Description & Specification	Location	Service
#N/A	3711-003968	HEADER-BOARD TO CABLE;BOX,3P,1R,2.5mm,ST		SA
#N/A	3711-003969	HEADER-BOARD TO CABLE;BOX,2P,1R,2.5mm,ST		SNA
#N/A	3722-002303	JACK-USB;4P/1C,AU30U,BLK,ANGLE,B TYPE		SA
#N/A	3722-002345	JACK-MODULAR;6P/4C,INVERTED,N,ANGLE,N,GR		SA
#N/A	6045-001009	SPACER-ROUND;ID6,OD10,T1.0,NTR,NYLON66,L		SA
#N/A	6902-000288	BAG PE;LDPE,T0.05,W250,L450,TRP,8,2-		SNA
#N/A	6902-000321	BAG PE;HDPE,T0.015,W800,L1300,TRP,28,6M-		SNA
#N/A	6902-000326	BAG PE;HDPE,T0.015,W300,L500,TRP,8,2,-		SNA
#N/A	6902-000332	BAG CONDUCTIVE;PE+CARBON,T0.1,W250,L500,		SNA
#N/A	JB27-00004A	COIL CHOKE-DIP;DR 8X11(470UH),MJC-1450,4		SA
#N/A	JB68-00073A	LABEL(R)-BAR CODE;SF-3000,PY,38X6.5,T0.1		SNA
#N/A	JB68-00916A	LABEL RATING-BLANK;SF-340,SEC,TETRON,0.0		SNA
#N/A	JC31-00030A	MOTOR DC-MCK2(BLDC);50M8432040,-,1.6A,-,		SA
#N/A	JC33-00006A	SOLENOID-MP;- ,SCX-5312F,-,24V,27.8*22.5,	S8014	SA
#N/A	JC39-00591A	HARNESS-LIU;SCX-6318F,CBF,UL1061,3PIN,75		SA
#N/A	JC46-00293A	S/W APPLICATION-CD;- ,ML-4551ND,-,PRT DRV		SNA
#N/A	JC46-00299A	S/W APPLICATION-CD;- ,SCX-6322DN,DRV,1.0,		SNA
#N/A	JC61-00549A	SPRING ETC-PICKUP,MP;SCX-5312F,SUS304-WP	P2165	SA
#N/A	JC61-00726A	BRACKET-P-MAIN MOTOR;SCX-6320F,SECC,1.6T		SNA
#N/A	JC61-00809A	BRACKET-_M_NPC;MLC-500,SECC,T0.8,-,-,-,-	B0005	SNA
#N/A	JC61-00830A	HOLDER-M_PINCH CST;SCX-5315F,PC+GF20%,-,		SNA
#N/A	JC61-01758A	BRACKET-INLET BOTTOM;SCX-6322DN,SECC,0.8		SNA
#N/A	JC63-00083A	SHEET-PTL PATH;SCX-5312F,PC,0.25T,-,-,CL	S5085	SA
#N/A	JC66-00332A	GEAR-FEED;SCX-5100,POM,M9044,M0.8,Z62/54	F6078	SA
#N/A	JC68-00058A	LABEL(R)-SEVER DEVE;COMMON,-,ART,34*34,-		SNA
#N/A	JC68-00407A	LABEL(R)-HV FUSER;ML-6060,PVC,-,220V,-,,	L0006	SNA
#N/A	JC68-00685A	CARD-MANUAL OPC;SCX-5100,-,-,-,ART,0.2,1		SNA
#N/A	JC68-00686A	CARD-SHEET_MANUAL DEVE;SCX-5100,-,ART,-,		SNA
#N/A	JC68-00690A	MANUAL-(CARD)WARRANTY CARD;ML-1210,XEU,E		SNA
#N/A	JC68-00692B	LABEL(R)-INSTRUCTION CST PLUS;COMMON,SAM		SA
#N/A	JC68-00709A	LABEL(R)-HEIGHT CST;COMMON,TETRON,T0.05,		SA
#N/A	JC68-00722A	LABEL(R)-UNLOCK REMINDER;COMMON,PVC,T0.1		SNA
#N/A	JC68-01134A	LABEL(P)-BLANK(FUSER);ML-1710D3,-,WHITE	Z4600	SNA
#N/A	JC68-01579A	MANUAL-NETWORK GUIDE;CLP-600N,SEC,-,COMM		SNA
#N/A	JC68-01584A	LABEL(P)-BLANK 90*25;CLP-510,SEE,ART 100	D2120	SA
#N/A	JC68-01847A	LABEL-REGULATION;COMMON,COMMON, PET 0.05		SNA
#N/A	JC68-10209B	LABEL(P)-PACK DEVE;ML-85,ART,34*84,G100,		SNA
#N/A	JC68-10914D	LABEL(P)-SERIAL NO;ML-85,ART,70X15,G100,	Z4619	SNA
#N/A	JC68-10932A	LABEL(P)-BLANK(ML);ML-85,ART,70X60,G100,		SNA
#N/A	JC68-30928B	LABEL(R)-CAU_HOT_FU;COMMON,PVC,40X12,140		SNA
#N/A	JC69-00251A	BAG PE;PE+CARBON,T=0.1,170,490,BLACK,-,-		SNA
#N/A	JC69-00453A	BOX(P)-SAFETY PAD;COMMON,LDPE,A,3,45,300		SNA
#N/A	JC69-00458A	CUSHION-CASSETTE;ML-2550/XXR,EPS,30,20,2		SNA
#N/A	JC69-00513A	CUSHION-UPPER_SUPP;SCX-6320F,EPS,124.5,2		SNA
#N/A	JC69-00513B	CUSHION-DEVE UPPER;SCX-6320F,EPS,29,122,		SNA
#N/A	JC69-00513C	CUSHION-OPC UPPER;SCX-6320F,EPS,20,84,35		SNA
#N/A	JC69-00535A	CUSHION-HONEY PAD_BOT;SCX-6320F,HONEY PA		SNA
#N/A	JC69-00626A	CUSHION-TOP R/L;SCX-6320F/XAA,EPS,160,49		SNA
#N/A	JC70-00220A	IPR-FINGER;SCX-5100,SPCC,-,T1.2,-,-,-,-,	F0003	SA
#N/A	JC72-00712B	PMO-GUIDE_JAM REMOVE;SCX-6322DN,PC/ABS,G		SA
#N/A	JC72-00781A	PMO-BRACKET SIDE OPEN;SCX-5100,POM,WHITE	O1075	SA
#N/A	JC72-00792A	PMO-WINDOW SENSOR DEVE;SCX-5100,-,PC,TRP	S3091	SA
#N/A	JC92-01359A	PBA SUB-TONER_TX;SCX-5100,XEROX,USA,TONE	M0435	SA
#N/A	JC92-01700B	PBA SUB-NPC_PRT;SCX-4720FN,SEC,KOREA,10/	Z4427	SA
#N/A	JC94-01242A	PHANTOM AU JC92-01792D		SNA
#N/A	JC94-01261A	PHANTOM AU JC92-01793C		SNA
#N/A	JC96-02990B	ELA UNIT-OPC KIT;SCX-6320F,SEC,20K,SET S		SNA
#N/A	JC96-02991C	ELA UNIT-TONER KIT;SCX-6320F,SEC,-,8K,-,		SNA

SA : SERVICE AVAILABLE SNA : SERVICE not AVAILABLE DNA : DELIVERY not AVAILABLE

Drawer#	SEC-Code	Description & Specification	Location	Service
#N/A	JC96-03056A	ELA UNIT-TR;SCX-5312F,SEC,DOMESTIC,T/R ,		SA
#N/A	JC96-03907A	ELA HOU-FEED EMP SEN;SCX-5315F,SAMSUNG,-		SA
#N/A	JC96-03977A	ELA HOU-CRUM;SCX-6318F,XEROX,USA,-,-,-,-		SA
#N/A	JC96-04192A	ELA HOU-SHIELD UPPER;SCX-6322DN,-,-,-,-		SA
#N/A	JF39-50080B	CBF LINE CORD;FAX 130R,6P,3000MM,-,-	H1281	SA
#N/A	JF39-50098A	CBF LINE CORD-SWISS;SF6000,6P,3000mm,BLK	H1281	SA
#N/A	JF68-10532B	LABEL(P)-BAR CODE;CLP-500,-,YUPO PAPER,1	Z4544	SNA
#N/A	0201-001183	ADHESIVE-AA;ARON ALPHA #202F,NTR,100,20G		SNA
#N/A	0201-001235	ADHESIVE-TS;DEH-390D,RED,400,-		SNA
#N/A	0202-001459	SOLDER-CREAM;S3X58-M405,-,D20~38\$,96.5SS		SNA
#N/A	0205-001059	GREASE-BEARING;PETAMO GHV 133,BEIGE,15KG	Z4540	SNA
#N/A	0205-001088	GREASE-BEARING;NICHIMOLY DM-1770X,PTFE,-		SNA
#N/A	0401-000116	DIODE-SWITCHING;MMSD914T1,100V,200MA,SOD		SNA
#N/A	0401-000136	DIODE-SWITCHING;BAS16,75V,200MA,SMD,TR		SNA
#N/A	0402-000129	DIODE-RECTIFIER;1N4003,200V,1A,DO-41,TP		SA
#N/A	0402-001212	DIODE-RECTIFIER;SS26,60V,2.0A,DO-214AA,T		SA
#N/A	0402-001690	DIODE-BRIDGE;MB4S,400V,0.5A,SOIC-4,TP		SNA
#N/A	0403-001401	DIODE-ZENER;MMSZ5260BT1,5%,500MW,SOD-123		SA
#N/A	0404-000112	DIODE-SCHOTTKY;RB420D,40V,100MA,SOT-23,T		SA
#N/A	0407-000122	DIODE-ARRAY;KDS226,80V,300mA,C2-3,SOT-23		SA
#N/A	0501-000279	TR-SMALL SIGNAL;KSA1182-Y,PNP,150mW,SOT-		SA
#N/A	0501-000342	TR-SMALL SIGNAL;KSC1623-Y,NPN,200mW,SOT-		SA
#N/A	0501-000457	TR-SMALL SIGNAL;MMBT2222A,NPN,350mW,SOT-		SA
#N/A	0501-000479	TR-SMALL SIGNAL;KST42,NPN,350mW,SOT-23,T		SA
#N/A	0501-000481	TR-SMALL SIGNAL;KST92,PNP,225MW,SOT-23,T		SA
#N/A	0501-000632	TR-SMALL SIGNAL;2SB1197K,PNP,200mW,SOT-2		SA
#N/A	0501-002326	TR-SMALL SIGNAL;KST06,NPN,350mW,SOT-23,T		SA
#N/A	0505-001350	FET-SILICON;NDT2955,P,-60V,-2.5V,0.3OHM,		SA
#N/A	0601-001138	LED-IR;ROUND,5mm,150mW,4V,950nm,BK		SNA
#N/A	0601-001332	LED;CBI,GRN,2.9mm,567nm		SNA
#N/A	0601-001500	LED;ROUND,RED,3mm,660nm		SNA
#N/A	0601-001619	LED;CBI,RED/GRN,3MM,635/568NM,6.35X7X6MM		SA
#N/A	0603-001021	PHOTO TR;NPN,20V,5V,20mA,75mW,TP		SA
#N/A	0604-001154	PHOTO-INTERRUPTER;TR,0.2-1.0MA,80MW,DIP,	P0012	SA
#N/A	0801-002379	IC-CMOS LOGIC;74LCX16245,TRANSCEIVER,TSS		SA
#N/A	0801-002446	IC-CMOS LOGIC;74LCX14,SCHMITT INVERTER,T		SNA
#N/A	0904-001989	IC-USC;ISP1582BS,-,HVQFN56,56P,8X8X0.85M		SA
#N/A	1001-000170	IC-ANALOG SWITCH;MC14051BD,SPDT CMOS,SOP		SA
#N/A	1003-001535	IC-MOTOR DRIVER;A3977SLP,TSSOP,28P,9.6X4		SA
#N/A	1003-001729	IC-MOTOR DRIVER;AN44060A,HSOP,28P,326MIL		SA
#N/A	1006-001224	IC-LINE TRANSCEIVER;74LVX161284,TSSOP,48		SA
#N/A	1103-001279	IC-EEPROM;24C32,4Kx8,SOP,8P,5x4mm,2.5/5.		SA
#N/A	1105-001379	IC-DRAM;K4S561632,-,256MBIT,4X4MX16BIT,T		SA
#N/A	1106-001228	IC-SRAM;6R1016,64KX16BIT,TSOP,44P,400MIL		SA
#N/A	1107-001590	IC-FLASH MEMORY;S29GL064M,64MBIT,8MX8/4M		SA
#N/A	1201-000105	IC-AUDIO AMP;34119,SOP,8P,150MIL,SINGLE,		SA
#N/A	1202-000164	IC-VOLTAGE COMP.;393,SOP,8P,150MIL,DUAL,		SA
#N/A	1203-001455	IC-POS.FIXED REG.;1117,DPAK,3P,265MIL,P		SA
#N/A	1203-002233	IC-RESET;XC61F,SOT-23,3P,-,PLASTIC,0.7/1		SNA
#N/A	1203-003739	IC-DC/DC CONVERTER;MVPG31,DFN,12P,4X3MM,		SNA
#N/A	1204-002457	IC-SIGNAL PROCESSOR;HT82V26A,209MIL,28P,		SNA
#N/A	1205-002339	IC-CLOCK GENERATOR;CY25811SC,SOIC,8P,150		SA
#N/A	1205-002500	IC-DAA;SI3018-FS,SOIC,16P,9.9x3.9mm,PLAS		SA
#N/A	1205-002852	IC-MODEM;Si2435,TSSOP,24P,7.8x4.4mm,PLAS		SNA
#N/A	1401-001069	THYRISTOR-SIDAC;P3100EB,275V,0.15A,250A,		SA
#N/A	1405-000170	VARISTOR;82V,1200A,9x4.1mm,TP		SA
#N/A	2001-000015	R-CARBON(S);0.5OHM,5%,1/2W,AA,TP,2.4X6.4		SA
#N/A	2001-000105	R-CARBON;1.5KOHM,5%,1/4W,AA,TP,2.4X6.4MM		SA

SA : SERVICE AVAILABLE SNA : SERVICE not AVAILABLE DNA : DELIVERY not AVAILABLE

Drawer#	SEC-Code	Description & Specification	Location	Service
#N/A	2005-000168	R-WIRE WOUND,NON;0.22ohm,5%,2W,AA,BK,4x1		SA
#N/A	2007-000070	R-CHIP;0ohm,5%,1/10W,TP,1608		SA
#N/A	2007-000071	R-CHIP;22ohm,5%,1/10W,TP,1608		SA
#N/A	2007-000074	R-CHIP;100ohm,5%,1/10W,TP,1608		SA
#N/A	2007-000076	R-CHIP;330ohm,5%,1/10W,TP,1608		SA
#N/A	2007-000078	R-CHIP;1Kohm,5%,1/10W,TP,1608		SA
#N/A	2007-000080	R-CHIP;2Kohm,5%,1/10W,TP,1608		SA
#N/A	2007-000082	R-CHIP;3.3Kohm,5%,1/10W,TP,1608		SA
#N/A	2007-000083	R-CHIP;3Kohm,5%,1/10W,TP,1608		SA
#N/A	2007-000084	R-CHIP;4.7Kohm,5%,1/10W,TP,1608		SA
#N/A	2007-000086	R-CHIP;5.6Kohm,5%,1/10W,TP,1608		SA
#N/A	2007-000090	R-CHIP;10Kohm,5%,1/10W,TP,1608		SA
#N/A	2007-000091	R-CHIP;12Kohm,5%,1/10W,TP,1608		SA
#N/A	2007-000092	R-CHIP;15Kohm,5%,1/10W,TP,1608		SA
#N/A	2007-000093	R-CHIP;20Kohm,5%,1/10W,TP,1608		SA
#N/A	2007-000094	R-CHIP;22Kohm,5%,1/10W,TP,1608		SA
#N/A	2007-000096	R-CHIP;30Kohm,5%,1/10W,TP,1608		SA
#N/A	2007-000097	R-CHIP;47Kohm,5%,1/10W,TP,1608		SA
#N/A	2007-000100	R-CHIP;68Kohm,5%,1/10W,TP,1608		SA
#N/A	2007-000101	R-CHIP;82Kohm,5%,1/10W,TP,1608		SA
#N/A	2007-000102	R-CHIP;100Kohm,5%,1/10W,TP,1608		SA
#N/A	2007-000104	R-CHIP;150Kohm,5%,1/10W,TP,1608		SA
#N/A	2007-000105	R-CHIP;200Kohm,5%,1/10W,TP,1608		SA
#N/A	2007-000107	R-CHIP;470Kohm,5%,1/10W,TP,1608		SA
#N/A	2007-000109	R-CHIP;1Mohm,5%,1/10W,TP,1608		SA
#N/A	2007-000113	R-CHIP;33ohm,5%,1/10W,TP,1608		SA
#N/A	2007-000123	R-CHIP;1.5Kohm,5%,1/10W,TP,1608		SA
#N/A	2007-000125	R-CHIP;3.9Kohm,5%,1/10W,TP,1608		SA
#N/A	2007-000132	R-CHIP;180Kohm,5%,1/10W,TP,1608		SNA
#N/A	2007-000134	R-CHIP;33Kohm,5%,1/10W,TP,1608		SA
#N/A	2007-000136	R-CHIP;300Kohm,5%,1/10W,TP,1608		SA
#N/A	2007-000305	R-CHIP;10Mohm,5%,1/10W,TP,1608		SA
#N/A	2007-000309	R-CHIP;10ohm,5%,1/10W,TP,1608		SA
#N/A	2007-000402	R-CHIP;150ohm,5%,1/10W,TP,1608		SA
#N/A	2007-000475	R-CHIP;1Mohm,1%,1/10W,TP,1608		SA
#N/A	2007-000729	R-CHIP;300ohm,5%,1/10W,TP,1608		SA
#N/A	2007-000965	R-CHIP;5.1Kohm,5%,1/10W,TP,1608		SA
#N/A	2007-001002	R-CHIP;510ohm,5%,1/10W,TP,1608		SA
#N/A	2007-001014	R-CHIP;51OHM,5%,1/10W,TP,1608		SA
#N/A	2007-001020	R-CHIP;536ohm,1%,1/4W,TP,3216		SNA
#N/A	2007-001044	R-CHIP;56ohm,5%,1/10W,TP,1608		SNA
#N/A	2007-001056	R-CHIP;6.2Kohm,5%,1/10W,TP,1608		SA
#N/A	2007-001134	R-CHIP;68ohm,5%,1/10W,TP,1608		SA
#N/A	2007-002589	R-CHIP;2.49Kohm,1%,1/4W,TP,3216		SNA
#N/A	2007-002607	R-CHIP;3.65Kohm,1%,1/4W,TP,3216		SA
#N/A	2007-002901	R-CHIP;12.1Kohm,1%,1/10W,TP,1608		SA
#N/A	2007-007238	R-CHIP;8.25Kohm,1%,1/10W,TP,1608		SA
#N/A	2007-007239	R-CHIP;31.6Kohm,1%,1/10W,TP,1608		SNA
#N/A	2007-007382	R-CHIP;20Mohm,5%,1/10W,TP,1608		SA
#N/A	2007-007547	R-CHIP;2.43Kohm,1%,1/10W,TP,1608		SNA
#N/A	2007-008371	R-CHIP;280Kohm,1%,1/10W,TP,1608		SNA
#N/A	2007-008803	R-CHIP;1.07Kohm,1%,1/4W,TP,3216		SA
#N/A	2007-009229	R-CHIP;73.2OHM,1%,1/2W,TP,5025		SNA
#N/A	2011-000002	R-NET;22ohm,5%,1/16W,L,CHIP,8P,TP,3216		SA
#N/A	2011-000816	R-NET;100ohm,5%,1/16W,L,CHIP,8P,TP,3.2x1		SA
#N/A	2011-001011	R-NET;10Kohm,5%,1/16W,L,CHIP,8P,TP,3.2x1		SNA
#N/A	2011-001094	R-NET;39OHM,5%,1/16W,L,CHIP,8P,TP		SA
#N/A	2011-001334	RC-NETWORK;1K/5.1K/39ohm,10%,150pF,-,6V,		SNA



SA : SERVICE AVAILABLE SNA : SERVICE not AVAILABLE DNA : DELIVERY not AVAILABLE

Drawer#	SEC-Code	Description & Specification	Location	Service
#N/A	2203-000189	C-CER,CHIP;100nF,+80-20%,25V,Y5V,1608		SA
#N/A	2203-000192	C-CER,CHIP;100nF,+80-20%,50V,Y5V,2012		SA
#N/A	2203-000206	C-CER,CHIP;100nF,10%,50V,X7R,2012		SA
#N/A	2203-000236	C-CER,CHIP;0.1nF,5%,50V,C0G,1608		SA
#N/A	2203-000257	C-CER,CHIP;10nF,10%,50V,X7R,1608		SA
#N/A	2203-000357	C-CER,CHIP;0.15nF,5%,50V,C0G,1608		SA
#N/A	2203-000384	C-CER,CHIP;0.015nF,5%,50V,C0G,1608		SA
#N/A	2203-000440	C-CER,CHIP;1nF,10%,50V,X7R,1608		SA
#N/A	2203-000491	C-CER,CHIP;2.2nF,10%,50V,X7R,1608		SA
#N/A	2203-000626	C-CER,CHIP;0.022nF,5%,50V,C0G,1608		SA
#N/A	2203-000783	C-CER,CHIP;0.33nF,5%,50V,C0G,1608		SA
#N/A	2203-000815	C-CER,CHIP;0.033nF,5%,50V,C0G,1608		SA
#N/A	2203-000998	C-CER,CHIP;0.047nF,5%,50V,C0G,1608		SA
#N/A	2203-001683	C-CER,CHIP;0.068nF,5%,50V,NP0,1608		SA
#N/A	2203-002392	C-CER,CHIP;220nF,+80-20%,50V,Y5V,2012		SA
#N/A	2203-002398	C-CER,CHIP;22nF,10%,50V,X7R,1608		SA
#N/A	2203-005249	C-CER,CHIP;100nF,10%,50V,X7R,1608		SNA
#N/A	2203-005819	C-CER,CHIP;1000nF,+80-20%,16V,Y5V,-,1608		SNA
#N/A	2203-006468	C-CER,CHIP;10nF,+10%,250V,X7R,-,2012		SA
#N/A	2203-006474	C-CER,CHIP;22000nF,20%,6.3V,X5R,2012		SA
#N/A	2203-006676	C-CER,CHIP;10000NF,+80TO-20%,10V,Y5V,201		SNA
#N/A	2402-000125	C-AL,SMD;1uF,20%,50V,GP,TP,3.3x3.3x5.4,		SA
#N/A	2402-000173	C-AL,SMD;4.7uF,20%,35V,GP,TP,4.3x4.3x5.4		SA
#N/A	2402-001042	C-AL,SMD;100uF,20%,16V,GP,TP,6.6x6.6x5.4		SA
#N/A	2402-001106	C-AL,SMD;33UF,20%,50V,WT,TP,8.3X8.3X6.3M		SA
#N/A	2602-000062	TRANS-PULSE;450UH,0.25/0.25OHM,1:1,12.8X		SA
#N/A	2703-002055	INDUCTOR-SMD;2.2UH,20%,6363		SNA
#N/A	2801-004414	CRYSTAL-UNIT;25MHZ,50PPM,HC-49/S,12PF,50		SNA
#N/A	2901-001356	FILTER-EMI/ESD;8V,0.0010A,-,17pF,4.0x1.6		SNA
#N/A	3301-000317	BEAD-SMD;120ohm,2012,TP,-,-		SA
#N/A	3301-000344	BEAD-RADIAL;200ohm,3.5x0.6x6.5mm,7000mA,		SNA
#N/A	3301-001425	BEAD-SMD;120ohm,3.2x1.6x1.1mm,900mA,TP,,		SNA
#N/A	3601-001246	FUSE-CARTRIDGE;250V,63mA,FAST-ACTING,GLA		SA
#N/A	3711-005861	HEADER-BOARD TO BOARD;BOX,40P,2R,0.8MM,S		SA
#N/A	3722-001319	JACK-MODULAR;8P/8C,STANDARD,Y,ANGLE,INVE		SA
#N/A	4715-001084	SURGE ABSORBER;600V,20%,500A,-,RADIAL(TP		SNA
#N/A	6009-001286	SCREW-SPECIAL;SWRCH18A,-,PWH,+M3,L10.5(		SNA
#N/A	JC02-00021A	TONER-GRINDED;SCX-6320F,MA-96G395,-.8,8,		SA
#N/A	JC13-00031C	IC ASIC-CHORUSM;CHORUSM,SCX-5530FN,496PI		SA
#N/A	JC39-00046A	CBF HARNESS-SCAN GND;SF-5100,#18,UL1007,		SNA
#N/A	JC39-00177A	CBF HARNESS-EXIT_SEN.;SCX-5100,WIRE HARN	H1080	SA
#N/A	JC39-00180A	CBF HARNESS-FEED+P-EMPTY_SEN.;SCX-5100,W	F6044	SA
#N/A	JC39-00181A	CBF HARNESS-PTL;SCX-5100,WIRE HARNESS,UL	H1212	SA
#N/A	JC39-00182A	CBF HARNESS-MP_SEN.;SCX-5100,WIRE HARNES	H1170	SA
#N/A	JC39-00342A	CBF HARNESS-AIR_TEMP;SCX-6320F,CBF,UL106		SA
#N/A	JC39-00596B	HARNESS-SMPS;SCX-6322DN,CBF-HARNESS,-,24		SA
#N/A	JC39-00597A	HARNESS-TONER_RX;SCX-6318F,CBF,UL1061,5P		SA
#N/A	JC39-00602A	HARNESS-PAPER_EXIT;SCX-6318F,CBF,UL1061,		SA
#N/A	JC39-00603A	HARNESS-BIN_FULL;SCX-6318F,CBF,UL1061,4/		SA
#N/A	JC39-00639A	HARNESS-QWERTY FFC;SCX-6322DN,FFC Cable,		SA
#N/A	JC39-40511A	CBF HARNESS;ML-80,JUMPER,AWG22,52mm,SILV	D2176	SA
#N/A	JC41-00130A	PCB-PTL;SCX-5100,FR-1,1L,-,1.6T,193 X 9M		SNA
#N/A	JC41-00131A	PCB-TONER_TX;SCX-5100,FR-1,1L,-,1.2T,28.		SNA
#N/A	JC41-00132A	PCB-TONER_RX;SCX-5100,FR-1,1L,-,1.2T,25X		SNA
#N/A	JC41-00333A	PCB-LIU;SCX-6318F,FR-1,1L,-,1.6T,224.5 X		SNA
#N/A	JC41-00334B	PCB-MAIN;SCX-6322DN,FR-4,4,-,1.6T,165MM		SNA
#N/A	JC44-00092A	SMPS-PSP_TYPE4_V2C;SCX-4521F,*,AC/DC,-,2		SA
#N/A	JC44-00125A	SMPS-V2C;SCX-6322DN,TYPE4 SUB-V2C,HEATER		SA

SA : SERVICE AVAILABLE SNA : SERVICE not AVAILABLE DNA : DELIVERY not AVAILABLE

Drawer#	SEC-Code	Description & Specification	Location	Service
#N/A	JC60-40902A	SPACER-DEV;-,-,-,OD19.5,ID6.0,-,-,-,T0		SNA
#N/A	JC61-00546A	GUIDE-REMOVE;SCX-5312F,PC GF20%,2T,-,-,B		SNA
#N/A	JC61-00569A	PLATE-M-SUPPORT_FU;ML-1210,PPS+PTFE+GF,-		SNA
#N/A	JC61-00724A	HOLDER-M-TERMINAL;SCX-6320F,PC,1.5T,-,-,		SA
#N/A	JC61-00790B	HOUSING-M-OPC LOGO;SCX-6320F,ABS+GF20,-		SNA
#N/A	JC61-00793A	BRACKET-M-BUSHING IN;SCX-6320F,PC+GF20%,		SNA
#N/A	JC61-00794A	BRACKET-M-BUSHING OUT;SCX-6320F,PC+GF20%		SNA
#N/A	JC61-00967A	GUIDE-M-DUPLEX;SCX-6320F,PET+GF30%,-,-,2		SNA
#N/A	JC61-01757A	BRACKET-DRV GROUND;SCX-6322DN,SECC,0.8T,		SNA
#N/A	JC62-00064A	SEAL-AUGER TONER;SCX-5100,URETHANE FOAM,		SNA
#N/A	JC62-00111A	SEAL-OPC LEFT;SCX-6320F,FELT+U-FOAM,NTR,		SNA
#N/A	JC62-00112A	SEAL-OPC RIGHT;SCX-6320F,FELT+U-FOAM,NTR		SNA
#N/A	JC62-00113A	SEAL-BRKT CLEAN;SCX-6320F,URETHANE FOAM,		SNA
#N/A	JC62-00114A	SEAL-BRKT SIDE;SCX-6320F,URETHANE FOAM,B		SNA
#N/A	JC62-00141A	SEAL-DAMPER;SCX-6320F,PORON(LE20),BLK,5T		SNA
#N/A	JC63-00255A	COVER-M-DR;SCX-6320F,ABS+GF20%,-,-,-,-		SNA
#N/A	JC63-00333A	GROUND-TERMINAL CRUM;SCX-6320F,PBW,PI0.6		SNA
#N/A	JC63-01118A	SHEET-MAIN SHIELD;SCX-6318F,PC,T0.254,40		SNA
#N/A	JC63-01162A	SHIELD-SMPS;SCX-6322DN,SECC,1.0T,266.0,2		SNA
#N/A	JC64-00244A	KEY-M_BLACK;SCX-5530FN,PMMA,16.2*21*7.1,		SNA
#N/A	JC66-00309A	GEAR-AGITATOR-1;SCX-5100,POM(M90-44),0.6		SNA
#N/A	JC66-00316A	GEAR-RDCN WTB;SCX-5100,POM(M90-44),0.6,4		SNA
#N/A	JC66-00317A	GEAR-WTB FEEDER;SCX-5100,POM(M90-44),0.6		SNA
#N/A	JC66-00318A	GEAR-COUPPING-WTB,2;SCX-5100,POM(M90-44)		SNA
#N/A	JC66-00319A	GEAR-RDCN AUGER;SCX-5100,POM(M90-44),0.6		SNA
#N/A	JC66-00320A	GEAR-AUGER;SCX-5100,POM(M90-44),0.6,24,1		SNA
#N/A	JC66-00321A	GEAR-COUPPING OPC;SCX-5100,POM(M90-44),0		SNA
#N/A	JC66-00627A	GEAR-M-DEVE26;SCX-6320F,POM(M90-44),0.6,		SNA
#N/A	JC66-00628A	GEAR-M-SUPPLY21;SCX-6320F,POM(M90-44),0.		SNA
#N/A	JC66-00629A	GEAR-M-RDCN DRSR;SCX-6320F,POM(M90-44),0		SNA
#N/A	JC66-00630A	GEAR-M-IDLE DRSR27;SCX-6320F,POM(DE8903)		SNA
#N/A	JC66-00631A	GEAR-M-DEVE DRIVE;SCX-6320F,POM,0.4,30,-		SNA
#N/A	JC66-00636A	ROLLER-DEVE;SCX-6320F,NBR+SUS303,20,-,-,		SA
#N/A	JC66-00655A	GEAR-M-AGITATOR23;SCX-6320F,POM,0.6,23,-		SNA
#N/A	JC66-00656A	GEAR-M-RDCN AGITATOR;SCX-6320F,POM(DE890		SNA
#N/A	JC66-00677A	ROLLER-SUPPLY;SCX-6320F,SILICON FOAM+SUM		SNA
#N/A	JC66-00693A	GEAR-M-CAP;SCX-6320F,PPS+PTFE+GF,1.0,34,		SNA
#N/A	JC66-00708A	ROLLER-HEAT E-COIL;SCX-6320F,AL PIPE,26.		SNA
#N/A	JC67-00066A	CAP-M_END;SCX-6320F,PPS+PTFE+GF,-,-,-,DA		SNA
#N/A	JC68-00720A	LABEL(R)-JAM REMOVE;COMMON,TETRON,T0.05,		SNA
#N/A	JC68-00721A	LABEL(R)-TONER REPLACEMENT;COMMON,-,TETR		SNA
#N/A	JC68-00723A	LABEL(R)-LOCK INDICATOR;COMMON,TETRON,T		SNA
#N/A	JC68-00724A	LABEL(R)-DRUM REPLACEMENT;COMMON,-,TETRO		SNA
#N/A	JC68-00725A	LABEL(R)-CLEAR PAPER PATH;COMMON,TETRON,		SNA
#N/A	JC70-00266A	ICT-SHAFT LOCKER;SCX-5100,SUM24L,-,-,-,N		SNA
#N/A	JC71-00019A	NPR-GROUND OPC;-,-,SCX-5100,SUS304 3/4H,T0		SNA
#N/A	JC71-00020A	NPR-ELECTRODE CR;-,-,SCX-5100,SUS304 3/4H,		SNA
#N/A	JC71-00036A	ELECTRODE-FU;ML-1210,4,-,-,¥016 CU+SN S		SNA
#N/A	JC72-00681A	PMO-COUPPING-WTB,1;SCX-5100,POM(M90-44),		SNA
#N/A	JC72-00701A	PMO-AUGER TONER;SCX-5100,PC+ABS,BLK,-,GF		SNA
#N/A	JC72-00702A	PMO-COVER ELECTRODE CR;SCX-5100,ABS,BLK,		SNA
#N/A	JC72-00703A	PPR-FILM REAR;SCX-5100,PET,NTR,T0.1,-,HB		SNA
#N/A	JC72-00706A	PPR-FILM OPC;SCX-5100,-,URETHANE,HB,-,N		SNA
#N/A	JC72-00765B	PMO-SIDE COVER;SCX-6322DN,HIPS,G71918,35		SA
#N/A	JC72-00810A	PMO-ACTUATOR EXIT;SCX-5100,PC+ABS+SUM24,	E4093	SA
#N/A	JC72-00811A	PMO-ARM ACTUATOR;SCX-5100,-,PC,BLK,V0,-,	A0004	SA
#N/A	JC72-00876B	PMO-COVER FRONT (C);SCX-6322DN,HIPS,G719		SA
#N/A	JC72-01301A	PMO-M-COUPPING DRIVE;SCX-6320F,POM(DE890		SNA

SA : SERVICE AVAILABLE SNA : SERVICE not AVAILABLE DNA : DELIVERY not AVAILABLE

Drawer#	SEC-Code	Description & Specification	Location	Service
#N/A	JC72-01302A	PMO-M-FLEXIBLE COUPLE;SCX-6320F,POM(M90-		SNA
#N/A	JC72-01303A	PMO-M-COLLAR DISC;SCX-6320F,PPS,NTR,-,-,		SNA
#N/A	JC73-00035A	REX-BLADE CLEANING;ML-6060,URETHANE RUBB		SNA
#N/A	JC73-00080A	RPR-SEAL SUS BLADE;SCX-5100,URETHANE FOA		SNA
#N/A	JC73-00152A	RPR-SEAL SUPPLY;SCX-6320F,PORON,T5,-,-,B		SNA
#N/A	JC73-00153A	RPR-SEAL CAP DEVE;SCX-6320F,URETHAN FOAM		SNA
#N/A	JC73-00154A	RPR-SEAL DEVE_L;SCX-6320F,FELT+PORON,T2.		SNA
#N/A	JC73-00156A	RPR-SEAL DEVE_R;SCX-6320F,FELT+PORON,T2.5		SNA
#N/A	JC73-10017A	RPR-SEAL_BLOCK;ML-80,POLYURETHANE FOAM,T		SNA
#N/A	JC74-00017A	MPR-WASHER DEV IN;ML-1650,PTFE,ID6.0. OD		SNA
#N/A	JC74-10901A	MPR-WASHER SUPPLY;ML-5000,POLY,ID4.1*OD1		SNA
#N/A	JC92-01566A	PBA SUB-CRUM;SCX-6320F,XEROX,USA,CRUM,-,		SNA
#N/A	JC92-01567B	PBA SUB-DEVE_CON;SCX-6318F,XEROX,USA,-,-		SNA
#N/A	JC92-01782A	PBA SUB-FEED SEN;SCX-6320F,XEROX,-,FEED		SNA
#N/A	JC94-00339A	PHANTOM AU JC92-01362A	Z6088	SNA
#N/A	JC94-00691A	PHANTOM AU JC92-01568A		SNA
#N/A	JC94-01090A	PHANTOM AU JC92-01700B		SNA
#N/A	JC94-01155A	FULL PCB REV1.1		SNA
#N/A	JC94-01160A	FULL PCB REV1.1		SNA
#N/A	JC97-01863A	MEA ETC-BLADE CLEANING;SCX-6320F,SECC,T1		SNA
#N/A	JC97-01864A	MEA ETC-SUS BLADE;SCX-6320F,SUS301-CSP 1		SNA
#N/A	JC97-01867A	MEA UNIT-OPC DRUM;SCX-6320F,XEROX,MCKINL		SNA
#N/A	JC97-01868A	MEA UNIT-ROLLER CR;SCX-6320F,XEROX,-,CR,		SNA
#N/A	JC97-01869A	MEA UNIT-CLEANING ROLL;SCX-6320F,XEROX,-		SNA
#N/A	JC97-01870A	MEA UNIT-BRACKET OPC;SCX-6320F,XEROX,-,B		SNA
#N/A	JC97-01876A	MEA UNIT-GUIDE CR;SCX-6320F,XEROX,MCKINL		SNA
#N/A	JC97-01877A	MEA UNIT-BRAKE DAMPER;SCX-6320F,XEROX,MC		SNA
#N/A	JC97-01878A	MEA UNIT-CAP AUGER;SCX-6320F,XEROX,MCKIN		SNA
#N/A	JC97-01879A	MEA UNIT-COVER SIDE;SCX-6320F,XEROX,MCKI		SNA
#N/A	JC97-01881A	MEA UNIT-WTB;SCX-6320F,XEROX,MCKINLEY2,W		SNA
#N/A	JC97-01882B	MEA UNIT-HOUSING DEVE;SCX-6320F,SEC,MCKI		SNA
#N/A	JF27-60051A	COIL FILTER;CF5400,60uH,50mOHM,18T		SA
#N/A	JG72-40960A	PMO-CAP TONER;SF6000,PP,BLK,-,-,VO,-,-,-		SNA
#N/A	0201-001162	ADHESIVE-CYA;LOCTITE403,NTR,1250,20G		SNA
#N/A	0205-001056	GREASE-GRAPHITE;CRS841,WHT,-		SNA
#N/A	0407-000101	DIODE-ARRAY;DA204K,20V,100mA,C2-3,SOT-23		SA
#N/A	1205-002593	IC-TRANSCEIVER;E-STE100P,TQFP,64P,10X10M		SNA
#N/A	2001-000362	R-CARBON;150OHM,5%,1/8W,AA,TP,1.8X3.2MM		SA
#N/A	2007-000287	R-CHIP;100OHM,1%,1/10W,TP,1608		SA
#N/A	2007-000539	R-CHIP;200ohm,5%,1/10W,TP,1608		SA
#N/A	2007-007226	R-CHIP;49.9ohm,1%,1/10W,TP,1608		SNA
#N/A	2404-000284	C-TA,CHIP;10uF,20%,16V,-,TP,3528		SA
#N/A	3710-002210	SOCKET-BOARD TO BOARD;40P,2R,0.8MM,SMD-S		SNA
#N/A	JC39-00599A	HARNESS-DEVE_CON;SCX-6318F,CBF,UL1061,4P		SA
#N/A	JC41-00133A	PCB-SENSOR;SCX-5100,FR-1,1L,-,1.6T,22X12		SNA
#N/A	JC41-00215A	PCB-AIR_TMP;SCX-6320F,FR-1,1L,-,1.6T,15X		SNA
#N/A	JC41-00269A	PCB SUB-NPC3_PRT;ML-2550,FR-4,4 LAYER,-,		SNA
#N/A	JC60-00007A	FLANGE-M_OPC;SCX-6320F,PC LS-1250,-,28.5		SNA
#N/A	JC61-00552A	SPRING ETC-TS WTB;SCX-5100,SWPB,PI0.7,4.		SNA
#N/A	JC61-00553A	SPRING ETC-ES SHUTTER AUGER;SCX-5100,SUS		SNA
#N/A	JC61-00791A	HOUSING-M-DEVE;SCX-6320F,ABS,-,-,-,BLK,H		SNA
#N/A	JC61-00792A	HOUSING-M-WTB;SCX-6320F,ABS,-,-,-,BLK,HF		SNA
#N/A	JC61-00795A	GUIDE-M-CR;SCX-6320F,ABS+PC,-,-,-,BLK,-		SNA
#N/A	JC61-00796A	BRACKET-P_OPC;SCX-6320F,CR(SPCC),1.2,-,-		SNA
#N/A	JC61-00797A	BRACKET-P_BLADE;SCX-6320F,SECC,1.2,-,-,-		SNA
#N/A	JC61-00798A	BUSH-DEVE SHAFT;SCX-6320F,BRONZE SINTERE		SNA
#N/A	JC61-00799A	BRACKET-P_CLEANING;SCX-6320F,SECC,1.2,-,		SNA
#N/A	JC62-00066A	SEAL-AUGER CAP;SCX-5100,FLOCKING DOUBLE		SNA

SA : SERVICE AVAILABLE SNA : SERVICE not AVAILABLE DNA : DELIVERY not AVAILABLE

Drawer#	SEC-Code	Description & Specification	Location	Service
#N/A	JC62-00067A	SEAL-WTB FEEDER;SCX-5100,FLOCKING + EPDM		SNA
#N/A	JC63-00254A	COVER-M-SIDE;SCX-6320F,PC 141R,-,-,-,-		SNA
#N/A	JC64-00094A	SHUTTER-M-WTB;SCX-6320F,PC,2T,-,-,BLK,-		SNA
#N/A	JC64-00095A	WINDOW-M-SENSOR;SCX-6320F,ACRYL(V150),-		SNA
#N/A	JC66-00435A	GEAR-IDLE CR 17;ML-2150,POM, F20-03,0.6,		SNA
#N/A	JC66-00436A	GEAR-CLEAN 23;ML-2150,HYTREL5526 ,0.6,23		SNA
#N/A	JC66-00633A	ROLLER-M-SLIDING IN;SCX-6320F,POM,-,-,NT		SNA
#N/A	JC66-00634A	ROLLER-M-SLIDING OUT;SCX-6320F,POM,-,-,N		SNA
#N/A	JC66-00637A	ROLLER-CHARGE;SCX-6320F,EPYCHLORO HYDRIN		SA
#N/A	JC66-00638A	ROLLER-CLEANING;SCX-6320F,URETHAN FOAM,1		SA
#N/A	JC66-00639A	DRUM-OPC;SCX-6320F,ALUMINIUM,-,30,248,-,		SA
#N/A	JC66-00657A	BRAKE-M-OPC DAMPER;SCX-6320F,POM(DE8903)		SNA
#N/A	JC67-00049B	CAP-M_HSG DEV SEC;SCX-6320F,ABS,-,-,-,BL		SNA
#N/A	JC67-00050A	CAP-M-HOUSING WTB;SCX-6320F,ABS,-,-,-,BL		SNA
#N/A	JC67-00064A	CAP-M-AUGER;SCX-6320F,ABS,-,-,-,BLK,-		SNA
#N/A	JC68-00697A	LABEL(R)-HEIGHT,MP;COMMON,-,PC,T0.5,W7.0	L0008	SNA
#N/A	JC68-00749A	LABEL(P)-SHEET SHADING(B);COMMON,XEROX,Y		SNA
#N/A	JC68-01248A	LABEL(R)-WTB;COMMON,-,TETRON,0.05,-,-,EM		SNA
#N/A	JC70-00205A	IPR-ELECTRODE SUPPLY;SCX-5100,SUS301 3/4		SNA
#N/A	JC70-00460A	IPR-P_SUS BLADE;SCX-6320F,SUS301CSP 1/2H		SNA
#N/A	JC72-00686A	PMO-BUSHING AGITATOR;SCX-5100,POM,BLK,-,		SNA
#N/A	JC72-00694A	PMO-SHUTTER AUGER;SCX-5100,ABS,BLK,-,-,H		SNA
#N/A	JC72-00705A	PPR-FILM WTB;SCX-5100,PC8D35,NTR,T0.18,		SNA
#N/A	JC72-00751B	PPR-SPONGE SHEET;SCX-5100,SPONGE+SHEET,W		SA
#N/A	JC72-01300A	PMO-M-LOCKER DEVE;SCX-6320F,PC+ABS,EMBER		SNA
#N/A	JC72-40332A	PMO-BUSHING_CHARGE;ML-80,POM,BLK,HB,-	Z4681	SNA
#N/A	JC72-41051A	PMO-BUSHING RIGHT;ML-6000,POM(M90-44),BL	D2151	SA
#N/A	JC73-00151A	RPR-SEAL SUPPORT_L;SCX-6320F,PORON,T5,-,		SNA
#N/A	JC73-00155A	RPR-SEAL SUPPORT_R;SCX-6320F,PORON,T5,-,		SNA
#N/A	JC92-01555A	PBA SUB-DSUB;SCX-6320F,XEROX,USA,DSUB,-,		SA
#N/A	JC92-01791C	PBA SUB-OPE;SCX-6322DN,SEC,SEC,-,-,FR-1,		SA
#N/A	JC94-00689A	PHANTOM AU JC92-01566A		SNA
#N/A	JC94-01103A	SEN PCB V1.0		SNA
#N/A	JC94-01156A	TERMINAL REV1.0		SNA
#N/A	JC94-01258A	PHANTOM AU JC92-01791D		SNA
#N/A	JC96-03999A	ELA UNIT-LCD UNIT;SCX-6318F,SEC,-,-,-,-,		SA
#N/A	JC97-01842B	MEA UNIT-GUIDE SCAN;SCX-6322DN,-,-,-,-,-		SNA
#N/A	JC97-01871A	MEA UNIT-AGITATOR2;SCX-6320F,XEROX,-,FIL		SNA
#N/A	JC97-01872A	MEA UNIT-AGITATOR1;SCX-6320F,XEROX,-,FIL		SNA
#N/A	JC97-01880A	MEA UNIT-WTB FEEDER;SCX-6320F,XEROX,MCKI		SNA
#N/A	JC97-01980A	MEA ETC-GEAR EARTH;SCX-6320F,SEC,SEC,GEA		SA
#N/A	0205-001067	GREASE-GRAPHITE;NYOGEL 756G,HYDRO CARBON		SNA
#N/A	0604-001227	PHOTO-INTERRUPTER;TR,-,200MW,DIP-4,ST		SA
#N/A	1103-001183	IC-EEPROM;24C04,512x8,SOP,8P,5x4mm,2.5/5		SA
#N/A	3301-001413	CORE-FERRITE;AD,33x12x7mm,1500,2800Gauss	Z4340	SA
#N/A	3701-001143	CONNECTOR-DSUB;15P,3R,FEMALE,ANGLE,AUF		SA
#N/A	3708-001917	CONNECTOR-FPC/FFC/PIC;20P,1MM,STRAIGHT,S		SNA
#N/A	3711-000255	HEADER-BOARD TO CABLE;1WALL,5P,1R,2.5MM,		SA
#N/A	3711-002808	HEADER-BOARD TO CABLE;BOX,7P,1R,2mm,STRA		SNA
#N/A	6501-000115	CABLE TIE;DA100,T1,W2.5,L102,NTR,NYLON66		SA
#N/A	JB66-00102A	GEAR-PICK UP IDEL 38;SCX-1110F,POM(DELIN	Z4377	SA
#N/A	JB66-00104A	GEAR-ADF IDLE 34;SCX-1110F,POM(DELIN500P	Z4383	SA
#N/A	JB66-00105A	GEAR-PICK UP 26;SCX-1110F,POM(DELIN500P)	Z4385	SA
#N/A	JB68-00469A	LABEL(R)-REGISTRATION EDGE(L);COMMON,XER	L0300	SA
#N/A	JB68-00705A	LABEL(R)-DOUBLE CORE;COMMON,-,-,-,-,COMP		SNA
#N/A	JB72-00821A	PMO-ADF COLAR;SCX-1110F,POM,NTR,-,-,-,-,	Z4380	SA
#N/A	JB72-00845A	PMO-PICK UP CLUTCH SUB;SCX-1110F,POM(F20	Z4386	SA
#N/A	JB75-00299A	MEC-ADF ROLLER ASSY;SCX-1110F/XRX,XEROX,	Z4387	SA

SA : SERVICE AVAILABLE SNA : SERVICE not AVAILABLE DNA : DELIVERY not AVAILABLE

Drawer#	SEC-Code	Description & Specification	Location	Service
#N/A	JB75-00300A	MEC-PICK UP ROLLER ASSY;SCX-1110F/XRX,XE	Z4378	SA
#N/A	JC07-00006A	LCD-DISPLAY;VHC2020SLYC9-1,SCX-6320F,20X		SA
#N/A	JC39-00341A	CBF HARNESS-GATE_SEN;SCX-6320F,CBF,UL106		SA
#N/A	JC39-00361A	CBF HARNESS-LCD;SCX-6320F,FLAT,UL2877,8P		SA
#N/A	JC41-00141A	PCB-FEED_SENSOR;SCX-5100,FR-1,1L,-,1.6T,		SNA
#N/A	JC41-00218A	PCB-TERMINAL;SCX-6320F,FR-4,2L,-,1.6T,54		SNA
#N/A	JC41-00219A	PCB-CRUM;SCX-6320F,FR-4,2L,-,1.6T,21.8X		SNA
#N/A	JC41-00330C	PCB-OPE;SCX-6322DN,FR-1,1,-,1.6T,190 X 1		SNA
#N/A	JC47-00011A	DAMPER-PICK_UP;SCX-6320F,-,XEROX,JEP2015		SA
#N/A	JC61-00230A	LATCH-ARM;ML-9400W,POM,-,-,WHITE,-		SNA
#N/A	JC61-00729A	HINGE-M-HOUSING;SCX-6320F,DELRIN 100P,-,	H3013	SA
#N/A	JC61-00734A	GUIDE-M_DUPLICATION_UPPER;SCX-6320F,ABS,2.5T,		SNA
#N/A	JC61-00736A	GUIDE-M_DUPLICATION_MID;SCX-6320F,ABS,2.5T,-,		SNA
#N/A	JC61-00741A	BUSH-M-PAPER STOPPER;SCX-6320F,POM,ID4.3		SNA
#N/A	JC61-00747A	BRACKET-P-DADF MOTOR;SCX-6320F,SECC,T1.2		SNA
#N/A	JC61-00748A	BRACKET-P-DUPLEX MOTOR;SCX-6320F,SECC,T1		SNA
#N/A	JC61-00749A	STOPPER-M-PAPER;SCX-6320F,POM,-,-,WHT,		SNA
#N/A	JC61-00750A	BUSH-M-ADF CLUTCH;SCX-6320F,PPS,7,11.85,		SA
#N/A	JC61-00846A	HINGE-M-PLATEN(MC2);SCX-6320F,DELRIN 100		SNA
#N/A	JC61-00847A	HINGE-M-SLIDER(MC2);SCX-6320F,DELRIN 100		SNA
#N/A	JC61-00854A	SUPPORT-AGITATOR;SCX-6320F,PET FILM(SKC)		SNA
#N/A	JC61-00934A	SUPPORT-SUB AGITATOR1;SCX-6320F,PET0.3T,		SNA
#N/A	JC61-01551A	SUPPORT-P-HINGE;SCX-6320F,SUS430,T1.0,28		SNA
#N/A	JC61-01563A	SPRING ETC-DUP IDLE;SCX-6345N/XRX,SUS304		SA
#N/A	JC63-00253A	COVER-M-PICK_UP DOC;SCX-6320F,HIPS,-,-,-		SNA
#N/A	JC63-00428A	GROUND-S_REGI;SCX-6320F,SUS304WPB,PI0.7,		SA
#N/A	JC63-00834A	GROUND-P-DUPLEX IDLE;SCX-6345N/XRX,SUS30		SNA
#N/A	JC66-00566A	GEAR-DADF24(B);SCX-6320F,POM,M1.0,Z24,-,		SNA
#N/A	JC66-00567A	GEAR-DADF37(A);SCX-6320F,POM,M0.5,Z37,-,		SNA
#N/A	JC66-00568A	GEAR-DADF37(B);SCX-6320F,POM,M0.5,Z37,12		SNA
#N/A	JC66-00569A	GEAR-DADF58;SCX-6320F,POM,M0.5,Z58,6,WHT		SNA
#N/A	JC66-00572A	GEAR-DADF37/24;SCX-6320F,POM,M0.5/1.0,Z3		SNA
#N/A	JC66-00573A	GEAR-DADF58/24;SCX-6320F,POM,M0.5/1.0,Z5		SNA
#N/A	JC66-00574A	GEAR-DADF58/31;SCX-6320F,POM,M0.5,Z58/31		SNA
#N/A	JC66-00584A	SHAFT-M_PICK_UP;ML-2150,ABS GF10%,-,D4.9		SNA
#N/A	JC66-00658A	SHAFT-ADF;SCX-6320F,SUM22,-,D7.0,-,SHA		SNA
#N/A	JC66-00675A	GEAR-M_OPC FRONT;SCX-6320F,PC+TEFRON(LS1		SNA
#N/A	JC66-01038A	SHAFT-PINCH DUP IDLE;SCX-6345N/XRX,SUS30		SNA
#N/A	JC66-01134A	SHAFT-SLIDE;SCX-6320F,SUM22 NI,31.6,NTR,		SNA
#N/A	JC68-01244A	LABEL(R)-COVER_EXIT;COMMON,SAMSUNG,POLY		SNA
#N/A	JC68-01246A	LABEL(R)-GUIDE_DUPLICATION;COMMON,SAMSUNG,POL		SNA
#N/A	JC70-00280A	ICT-SHAFT HINGE;SCX-5100,SUM24L,NI,4,-,-		SNA
#N/A	JC71-10322B	NPR-EARTH OPC;-ML-80,C5210P-1/2H,T0.2,-		SNA
#N/A	JC72-00699A	PMO-FEEDER WTB;SCX-5100,PC,BLK,T1.5,-,HB		SNA
#N/A	JC72-01304A	PMO-M-AGITATOR1;SCX-6320F,ABS+GF20,BLK,-		SNA
#N/A	JC72-01305A	PMO-M-AGITATOR2;SCX-6320F,ABS+GF20 GR402		SNA
#N/A	JC72-01306A	PPR-FILM AGITATOR1;SCX-6320F,PET SHEET,N		SNA
#N/A	JC72-01307A	PPR-FILM AGITATOR2;SCX-6320F,PET SHEET,B		SNA
#N/A	JC72-10501A	PPR-SEAL,AGITATOR B;SL-1050V,NBR+BR,-,-,		SNA
#N/A	JC73-00114A	RPR-BLADE WTB FEEDER;SCX-5100,URETHANE R		SNA
#N/A	JC94-00682A	PHANTOM AU JC92-01555A		SNA
#N/A	JC94-00686A	PHANTOM AU JC92-01562A		SNA
#N/A	JC94-01257A	PHANTOM AU JC92-01791C		SNA
#N/A	JC96-03903A	ELA HOU-SUB_DOC_WIDTH;SCX-6320F,XEROX,-,		SA
#N/A	0601-001226	LED;SMD,RED,1.2x0.8mm,660nm,1.6x0.8mm		SA
#N/A	0601-001830	LED;SMD,GRN,1.6x0.8x0.4mm,570nm,1.6x0.8x		SA
#N/A	0801-002469	IC-CMOS LOGIC;74HC14,SCHMITT INVERTER,TS		SA
#N/A	2001-000111	R-CARBON;150OHM,5%,1/4W,AA,TP,2.4X6.4MM		SA

SA : SERVICE AVAILABLE SNA : SERVICE not AVAILABLE DNA : DELIVERY not AVAILABLE

Drawer#	SEC-Code	Description & Specification	Location	Service
#N/A	2007-000783	R-CHIP;33OHM,5%,1/4W,TP,3216		SNA
#N/A	2011-000660	R-NET;1Kohm,5%,1/16W,L,CHIP,8P,TP,3.2x1.		SA
#N/A	2801-000199	CRYSTAL-UNIT;20MHz,50ppm,28-AAA,16pF,50o		SA
#N/A	2802-001069	RESONATOR-CERAMIC;7.37MHz,0.5%,TP,4.7x4.		SNA
#N/A	3711-002807	HEADER-BOARD TO CABLE;BOX,6P,1R,2mm,STRA		SNA
#N/A	3711-003340	HEADER-BOARD TO CABLE;BOX,16P,2R,2mm,STR		SA
#N/A	JB72-00822A	PMO-SLEEVE ADF;SCX-1110F,-,POM,BLK,-,-,-	Z4388	SA
#N/A	JB72-00823A	PMO-SLEEVE PICK UP;SCX-1110F,-,POM,BLK,-	Z4379	SA
#N/A	JB73-00054A	RMO-ADF ROLLER;SCX-1110F/XRX,EPDM RUBBER		SNA
#N/A	JB73-00055A	RMO-PICKUP ROLLER;SCX-1110F/XRX,EPDM RUB		SNA
#N/A	JC13-00024A	IC ASIC-OPE;HT48R70A,SCX-5315F,48P,3.3/5		SNA
#N/A	JC39-00328A	CBF HARNESS-REGI_SEN;SCX-6320F,CBF,UL106		SA
#N/A	JC39-00329A	CBF HARNESS-EXIT_OPEN;SCX-6320F,CBF,UL10		SA
#N/A	JC39-00331A	CBF HARNESS-DOC_WIDTH;SCX-6320F,CBF,UL10		SA
#N/A	JC41-00217A	PCB-DSUB;SCX-6320F,FR-4,2L,-,1.6T,56 X 3		SNA
#N/A	JC41-00330B	PCB-OPE;SCX-6322DN,FR-1,1,-,1.6T,302 X 2		SNA
#N/A	JC61-00744B	HOLDER-ADF RUBBER U;SCX-6322DN,HIPS,-,41		SNA
#N/A	JC61-00745B	HOLDER-ADF RUBBER L;SCX-6322DN,HIPS,-,47		SNA
#N/A	JC62-00142A	HEAT SINK-P-MC2;SCX-6320F,BRONZE,0.5,7,2		SNA
#N/A	JC63-00186A	SHEET-GUIDE ADF;SCX-6320F,PET,0.125T,-,-		SA
#N/A	JC68-00573A	LABEL(R)-BARCODE;ML-4500,PET,T0.05,10mm,		SNA
#N/A	JC73-00079A	RPR-SEAL SIDE;SCX-5100,URETHANE FOAM ,18		SA
#N/A	JC94-00675A	PHANTOM AU JC92-01556A		SNA
#N/A	JC94-00685A	PHANTOM AU JC92-01561A		SNA
#N/A	JC94-00688A	PHANTOM AU JC92-01564A		SNA
#N/A	JC94-01256A	PHANTOM AU JC92-01554B		SNA
#N/A	0801-002095	IC-CMOS LOGIC;74LCX245,TRANSCIEVER,TSSOP		SA
#N/A	0903-001411	IC-MICROCONTROLLER;S3F443FX,8BIT,LQFP,64		SA
#N/A	1203-002454	IC-POSI.FIXED REG.;FAN1117A,TO-252,3P,25		SA
#N/A	1205-002258	IC-CLOCK GENERATOR;CY25814SC,SOIC,8P,150		SNA
#N/A	2005-001050	R-WIRE WOUND;0.1ohm,1%,1W,AA,TP,9x3.3mm		SA
#N/A	2005-001058	R-WIRE WOUND;0.39ohm,1%,1W,AA,TP,4.3x12m		SNA
#N/A	2007-000081	R-CHIP;2.7Kohm,5%,1/10W,TP,1608		SA
#N/A	2007-000126	R-CHIP;4.3Kohm,5%,1/10W,TP,1608		SNA
#N/A	2007-000616	R-CHIP;24Kohm,5%,1/10W,TP,1608		SA
#N/A	2203-000041	C-CER,CHIP;0.01nF,0.25pF,50V,C0G,1608		SA
#N/A	2203-000681	C-CER,CHIP;0.027nF,5%,50V,C0G,1608		SA
#N/A	JC41-00220A	PCB-SENSOR_IF;SCX-6320F,FR-1,1L,-,1.6T,6		SNA
#N/A	JC41-00221B	PCB-ADF;SCX-6322DN,FR-4,4,-,1.6T,190 X 2		SNA
#N/A	JC94-01104A	OR PCB V1.1		SNA