



Parts Catalog - SCX-5835_5935 Series



- 33 ppm(A4) Network-ready MFP
- Toner cartridge
 - : Initial : 4K / Sales : 4K,10K
- Machine Life : 300K or 5 Years

- Paper handling
 - : 500 sheets Standard cassette
 - : 500 sheets Optional cassette
 - : 50 sheets DADF
- 80 GB HDD

- High Performance CCDM
- Easy to install (CRU & Option)
- Color Graphic Touch-Screen LCD (7")
- Low Cost per Page
- Direct USB

**This Parts Catalog is a property of Samsung Electronics Co.,Ltd.
Any unauthorized use of this manual can be punished under
applicable International and/or domestic law.**

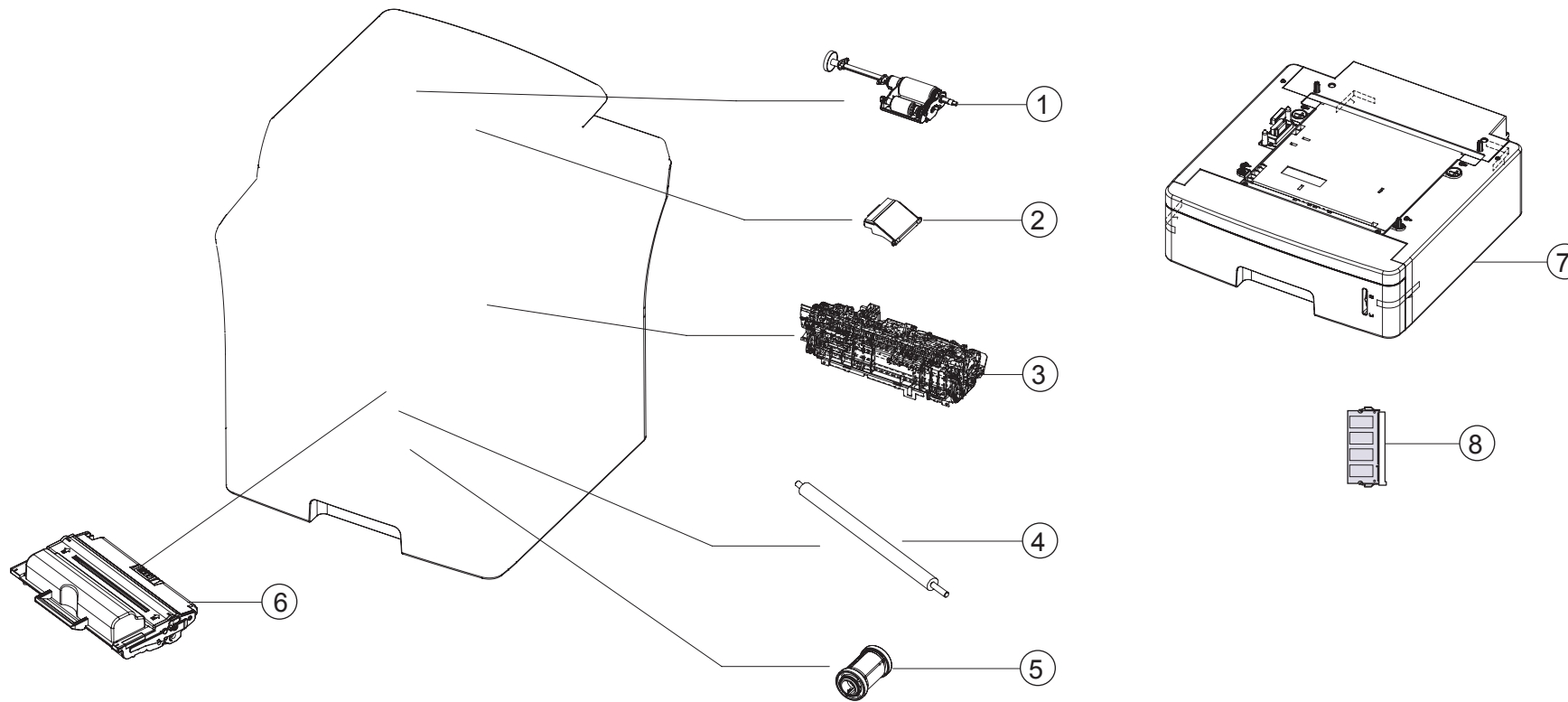
ExplodedView and Parts List

Contents

Maintenance Parts and Option Unit	2	16. ELA HOU-PLATEN	36
Thumbnail 1	3	17. ELA HOU-SCAN LOWER	38
1. Main	6	18. ELA HOU-OPE	40
2. Cover	8	19. ELA UNIT-MAIN DRIVE	42
3. ELA HOU COVER MID	10	20. ELA HOU-FRAME	44
4. ELA HOU-COVER REAR UP	12	21. ELA HOU-FRAME ETC	46
5. ELA HOU-LOWER DUMMY	14	22. ELA HOU-FUSER DRIVE	50
6. MEA COVER FRONT	16	23. ELA HOU-GUIDE DUP	52
7. MEA COVER MID FRONT	18	24. ELA HOU-MPF	54
8. MEA COVER REAR	20	25. ELA_HOU_FRAME_EXIT	56
9. MEA COVER SIDE R_L	22	26. MEA UNIT-CLUTCH.....	58
10. ELA HOU SCAN	24	27. MEA UNIT-BRACKET FEED	60
11. ELA HOU DADF	26	28. ELA UNIT-FUSER	62
12. ELA HOU-DADF UPPER	28	29. MEA UNIT-DUPLEX.....	64
13. ELA HOU-DADF DRV	30	30. MEA UNIT-CASSETTE	66
14. ELA_HOU_DADF_LOWER	32	31. ELA HOU-SCF	68
15. ELA_HOU_COVER_PLATEN	34		

Maintenance Parts and Option Unit

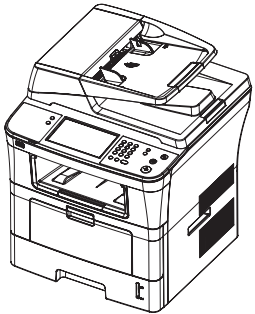
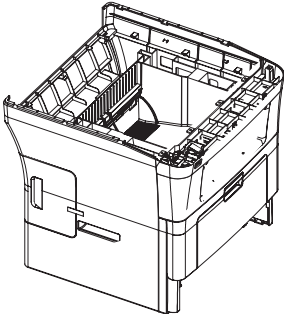
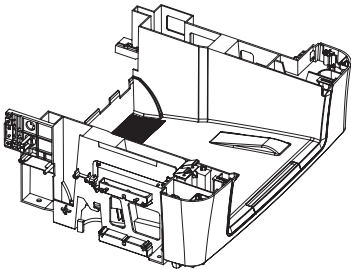
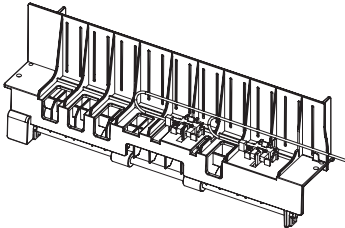
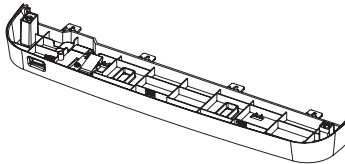
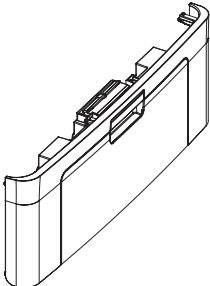
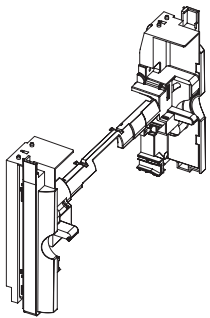
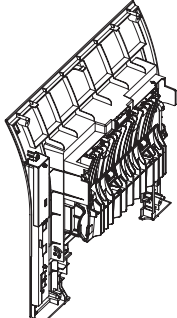
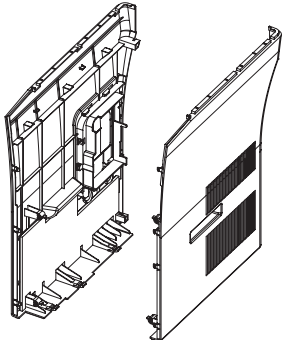
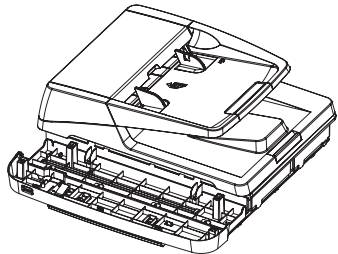
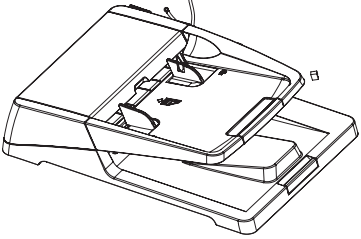
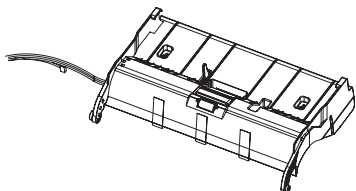
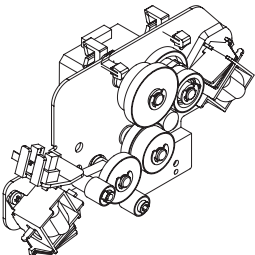
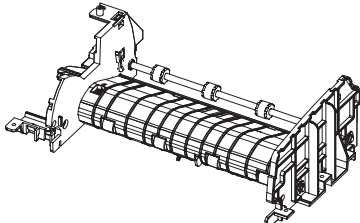
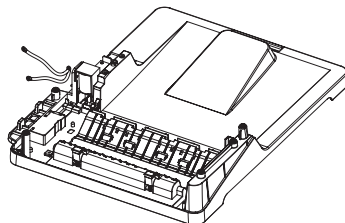
Ver. 1.00



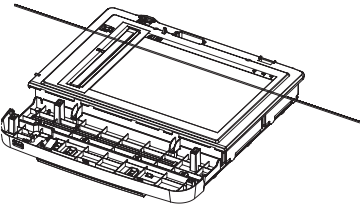
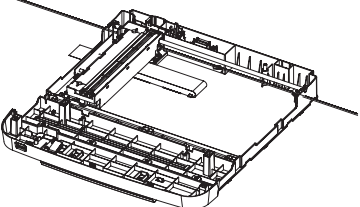
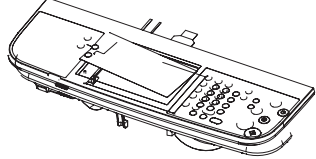
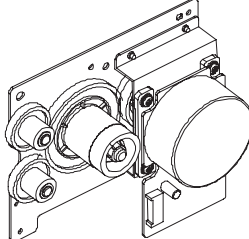
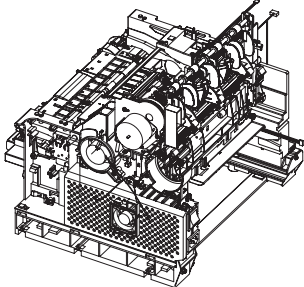
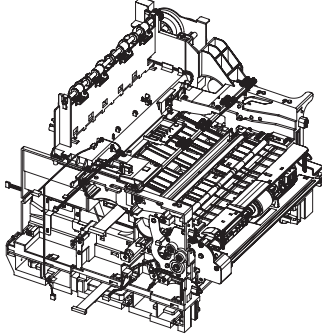
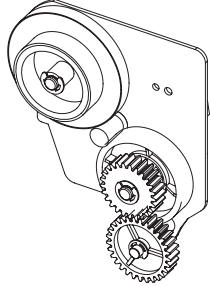
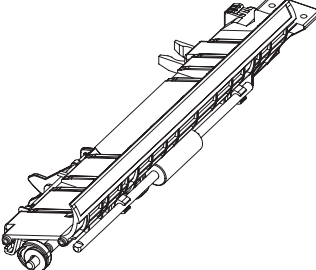
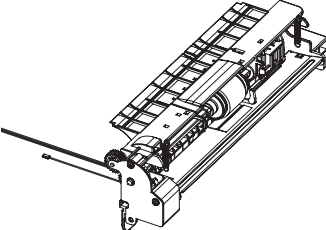
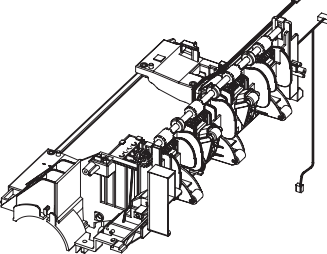
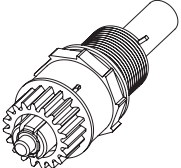
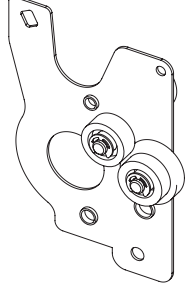
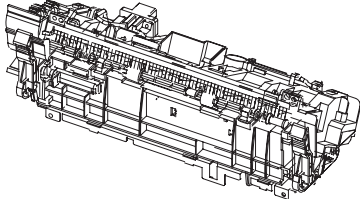
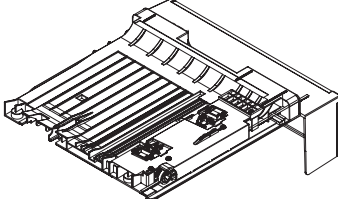
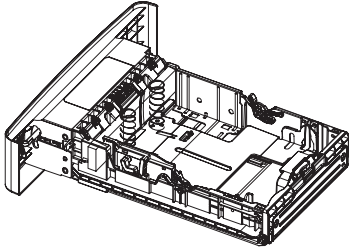
No.	Sec_Code (Model Name)	Description	Life	Remark
1	JC97-03070A	MEA UNIT-PICK UP DADF	100K	FRU
2	JC97-03069A	MEA UNIT-DADF RUBBER	50K	FRU
3	JC96-05064A(220V) JC96-05063A(110V)	ELA UNIT-FUSER	100K	FRU
4	JC66-01181A	ROLLER-TRANSFER	100K	FRU
5	JC97-02441C	MEA-ROLLER PICK UP	150K	FRU

No.	Sec_Code (Model Name)	Description	Life	Remark
6	MLT-D208S/MLT-D2082S	CARTRIDGE TONER	4K	CRU
	MLT-D208L/MLT-D2082L		10K	CRU
7	SCX-S5835A	SCF	-	520 sheets / Option
8	CLP-MEM202	MEMORY	-	256 MB SDRAM / Option

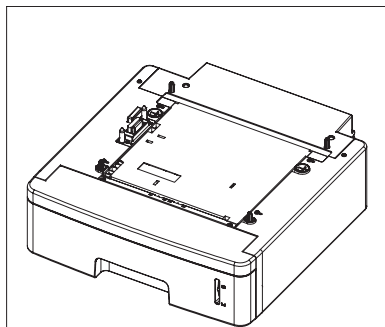
Tumbnail 1

				
<p>1. Main</p>	<p>2. Cover</p>	<p>3. ELA HOU COVER MID</p>	<p>4. ELA HOU-COVER REAR UP</p>	<p>5. ELA HOU-LOWER DUMMY</p>
				
<p>6. MEA COVER FRONT</p>	<p>7. MEA COVER MID FRONT</p>	<p>8. MEA COVER REAR</p>	<p>9. MEA COVER SIDE R_L</p>	<p>10. ELA HOU SCAN</p>
				
<p>11. ELA HOU DADF</p>	<p>12. ELA HOU-DADF UPPER</p>	<p>13. ELA HOU-DADF DRV</p>	<p>14. ELA_HOU_DADF_LOWER</p>	<p>15. ELA_HOU_COVER_PLATEN</p>

Tumbnail 2

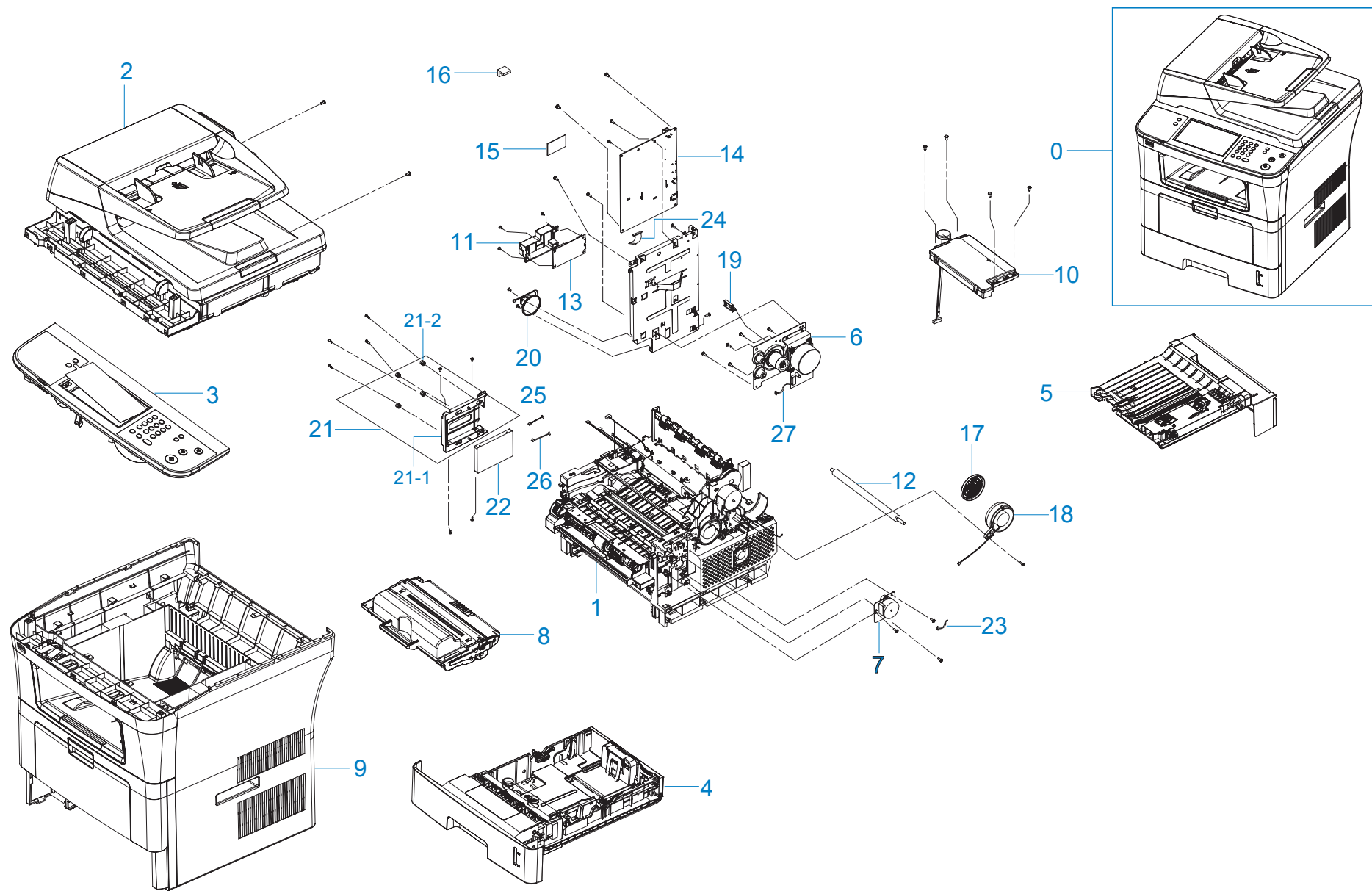
				
<p>16. ELA HOU-PLATEN</p>	<p>17. ELA HOU-SCAN LOWER</p>	<p>18. ELA HOU-OPE</p>	<p>19. ELA UNIT-MAIN DRIVE</p>	<p>20. ELA HOU-FRAME</p>
				
<p>21. ELA HOU-FRAME ETC</p>	<p>22. ELA HOU-FUSER DRIVE</p>	<p>23. ELA HOU-GUIDE DUP</p>	<p>24. ELA HOU-MPF</p>	<p>25. ELA_HOU_FRAME_EXIT</p>
				
<p>26. MEA UNIT-CLUTCH</p>	<p>27. MEA UNIT-BRACKET FEED</p>	<p>28. ELA UNIT-FUSER</p>	<p>29. MEA UNIT-DUPLEX</p>	<p>30. MEA UNIT-CASSETTE</p>

Tumbnail 3



31. ELA HOU-SCF

1. Main



Main Parts List

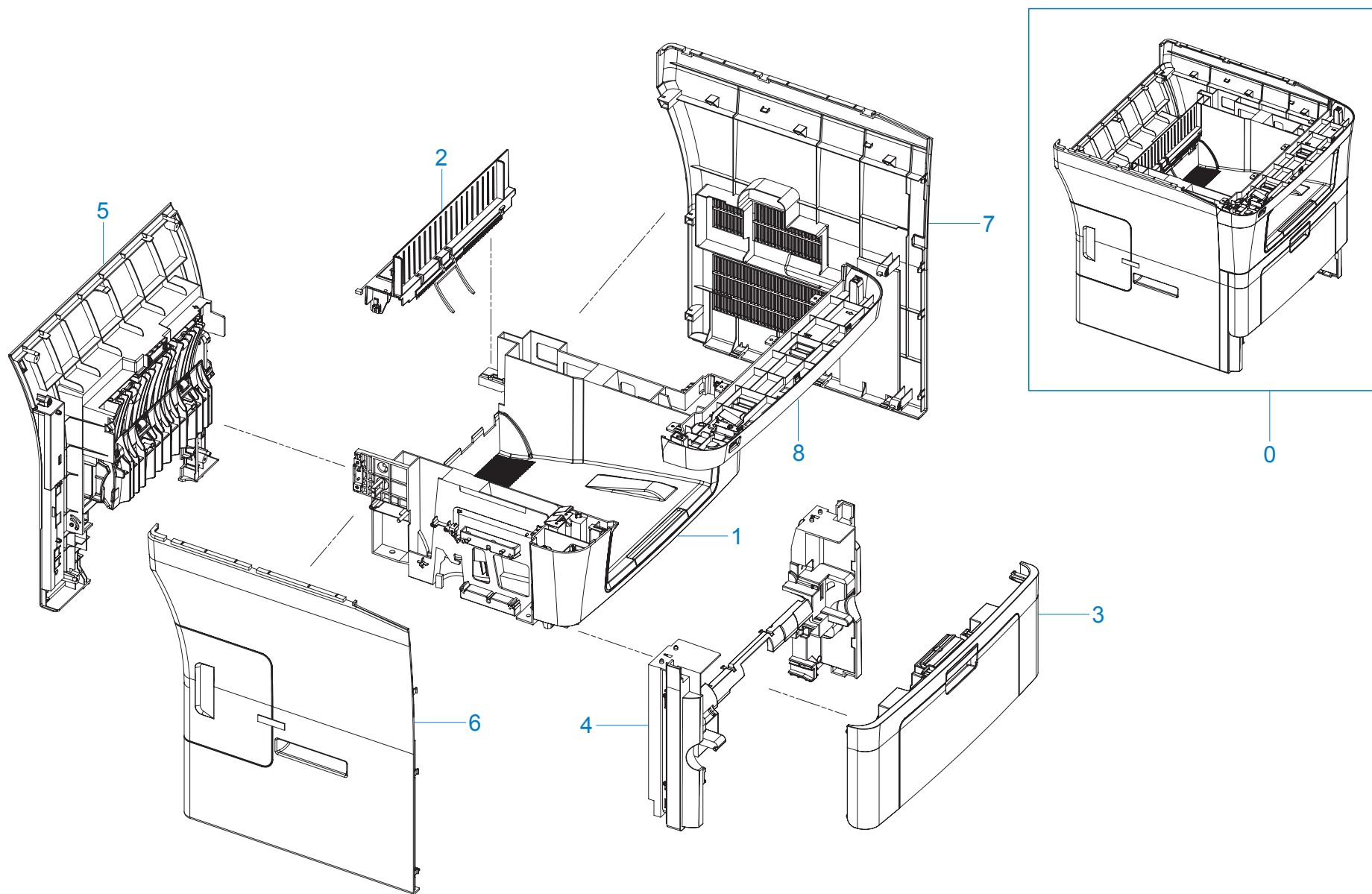
Ver. 1.00

SA : SERVICE AVAILABLE, SNA : SERVICE not AVAILABLE

Drawer#	SEC_Code	Description	QT'y	Service	Grade	Remark
0	SCX-5x35FN	SET	1			
1	JC96-04916C	ELA HOU-FRAME	1	SNA	B	110V
1	JC96-04916D	ELA HOU-FRAME	1	SNA	B	220V
2	JC96-05376A	ELA HOU-SCAN	1	SNA	A	
3	JC96-05372B	ELA HOU-OPE	1	SNA	A	
4	JC97-03494A	MEA UNIT-CASSETTE	1	SA	A	
5	JC97-03127B	MEA UNIT-DUPLEX	1	SA	A	
6	JC96-03761B	ELA UNIT-MAIN DRIVE	1	SA	A	
7	JC96-03762B	ELA UNIT-DUPLEX DRIVE	1	SA	B	
8	JC96-04964W	CARTRIDGE-TONER	1	SNA	B	
9	JC96-05384A	ELA HOU-COVER	1	SNA	A	
10	JC59-00027A	UNIT-LSU	1	SA	A	
11	JC63-01677A	COVER-FAX	1	SA	A	
12	JC66-01181A	ROLLER-TRANSFER	1	SA	A	
13	JC92-02060B	PBA-FAX CARD	1	SA	A	SEE
13	JC92-02060C	PBA-FAX CARD	1	SA	A	XAA

Drawer#	SEC_Code	Description	QT'y	Service	Grade	Remark
14	JC92-02071A	PBA-MAIN	1	SA	B	
15	JC92-01975A	PBA-RAM DIMM	1	SA	B	
16	JC92-01946C	PBA-MSOK	1	SNA	A	
17	JC63-01778A	COVER-FAN DC	1	SA	A	
18	JC31-00087A	FAN-DC	1	SA	A	
19	6502-001093	CABLE CLAMP	1	SA	B	
20	3001-002262	SPEAKER	1	SA	A	
21	JC97-02276A	MEA UNIT-HOLDER HDD	1	SA	B	
21-1	JC61-01389A	HOLDER-M_HDD	1	SNA	B	
21-2	JC73-00215A	RUBBER-DAMPER HDD	4	SA	B	
22	JC59-00028A	HDD	1	SA	A	
23	JC39-01003A	HARNESS-DUPLEX_MOTOR	1	SA	A	
24	JC39-00883A	HARNESS-FAX	1	SA	B	
25	JC39-00754A	HARNESS-SATA_SIGNAL	1	SA	B	
26	JC39-00753A	HARNESS-SATA_POWER	1	SA	A	
27	JC39-00869A	HARNESS-BLDC	1	SA	B	

2. Cover



Cover Parts List

Ver. 1.00

SA : SERVICE AVAILABLE, SNA : SERVICE not AVAILABLE

Drawer#	SEC_Code	Description	QT'y	Service	Grade	Remark
0	JC96-05384A	ELA HOU-COVER	1	SNA	A	SCX-5835FN
0	JC96-05384B	ELA HOU-COVER	1	SNA	A	SCX-5935FN
1	JC96-05380A	ELA HOU-COVER MID	1	SA	A	
2	JC96-04921B	ELA HOU-COVER REAR UP	1	SA	A	
3	JC97-03490A	MEA-COVER FRONT	1	SA	A	
4	JC97-03491A	MEA-COVER MID FRONT	1	SA	A	

Drawer#	SEC_Code	Description	QT'y	Service	Grade	Remark
5	JC97-03492A	MEA-COVER REAR	1	SA	A	
6	JC97-03116B	MEA-COVER SIDE L	1	SA	A	
7	JC97-03148B	MEA-COVER SIDE R	1	SA	A	
8	JC96-05478A	ELA HOU LOWER DUMMY	1	SA	A	SCX-5835FN
8	JC96-05478B	ELA HOU LOWER DUMMY	1	SA	A	SCX-5935FN

ELA HOU COVER MID Parts List

Ver. 1.00

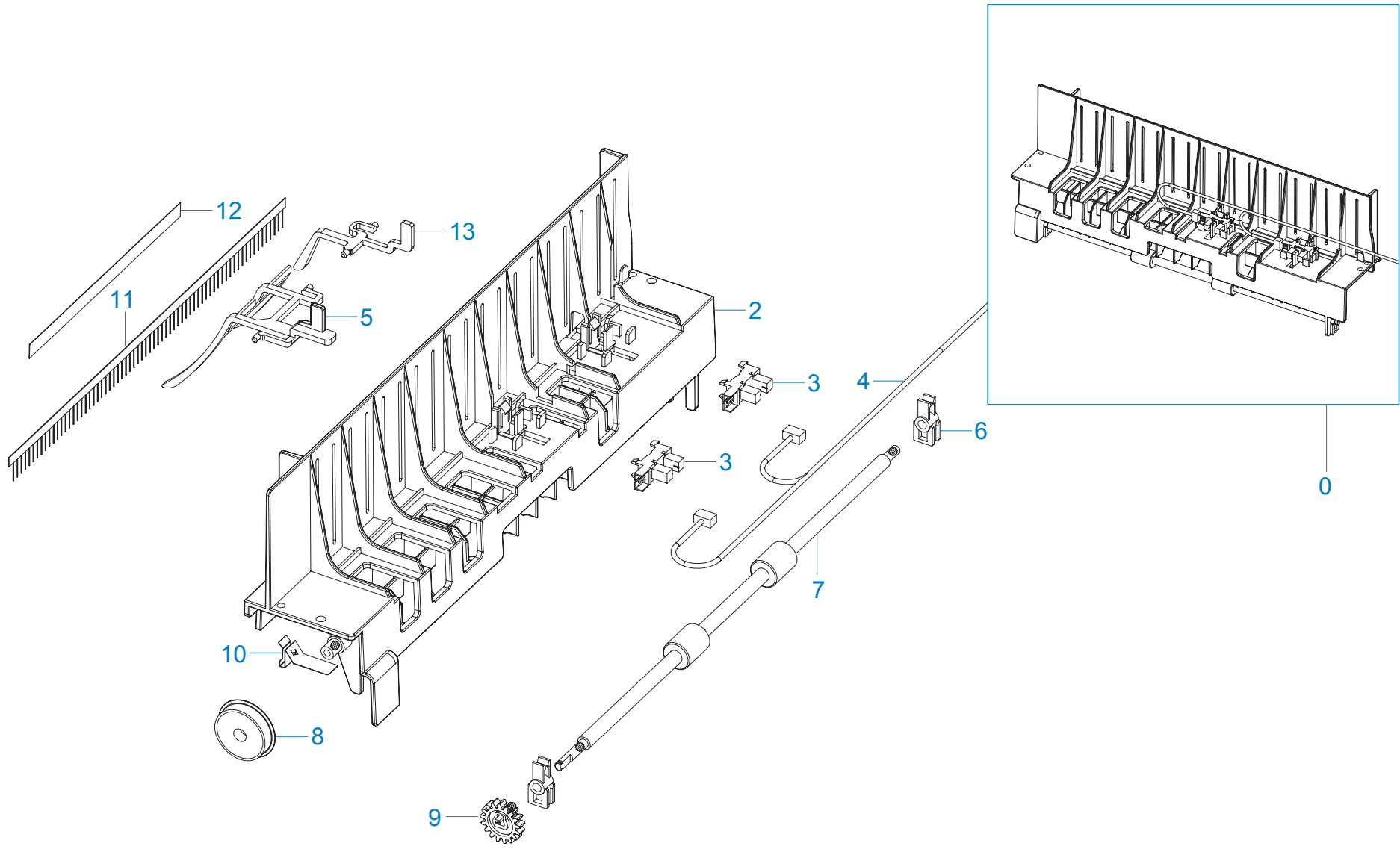
SA : SERVICE AVAILABLE, SNA : SERVICE not AVAILABLE

Drawer#	SEC_Code	Description	QT'y	Service	Grade	Remark
0	JC96-05380A	ELA HOU-COVER MID	1	SA	A	
1	JC63-02036A	COVER-MIDDLE	1	SNA	B	
2	JC63-02039A	COVER-STACKER RX	1	SA	B	
3	JC63-02001B	TRAY-ASF OUTPUT	1	SA	B	
4	JC63-02033A	COVER-DECO MIDDLE	1	SNA	B	
5	JC63-01703A	GROUND-SCAN CON	1	SNA	B	
6	JC63-01702A	GROUND-LCD CON	1	SNA	B	
7	JC63-01731A	GROUND-ENGINE SUB	1	SNA	B	

Drawer#	SEC_Code	Description	QT'y	Service	Grade	Remark
8	JC63-00791A	GROUND-P-SPRING SCAN	1	SNA	A	
9	JC72-01430A	SPONGE-TOP1	1	SNA	D	
10	JC72-01431A	SPONGE-TOP2	1	SNA	D	
11	6502-001093	CABLE CLAMP	1	SA	B	
12	6003-000196	SCREW-TAPTITE	7	SA	A	
13	JC39-00863A	HARNESS-ENGINE	1	SA	A	
14	JC92-02096A	PBA-DRIVER	1	SA	A	

4. ELA HOU-COVER REAR UP

Ver. 1.00



ELA HOU-COVER REAR UP Parts List

Ver. 1.00

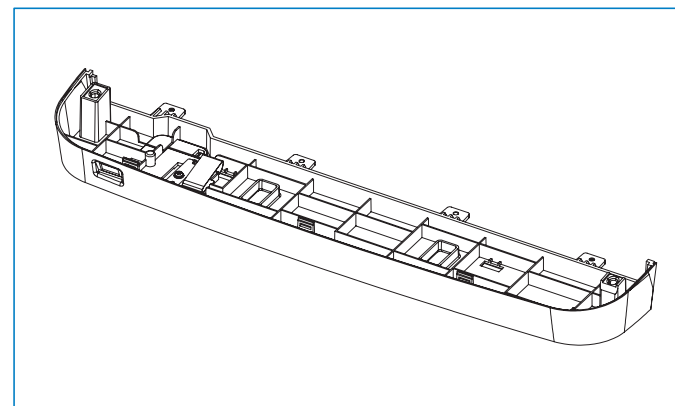
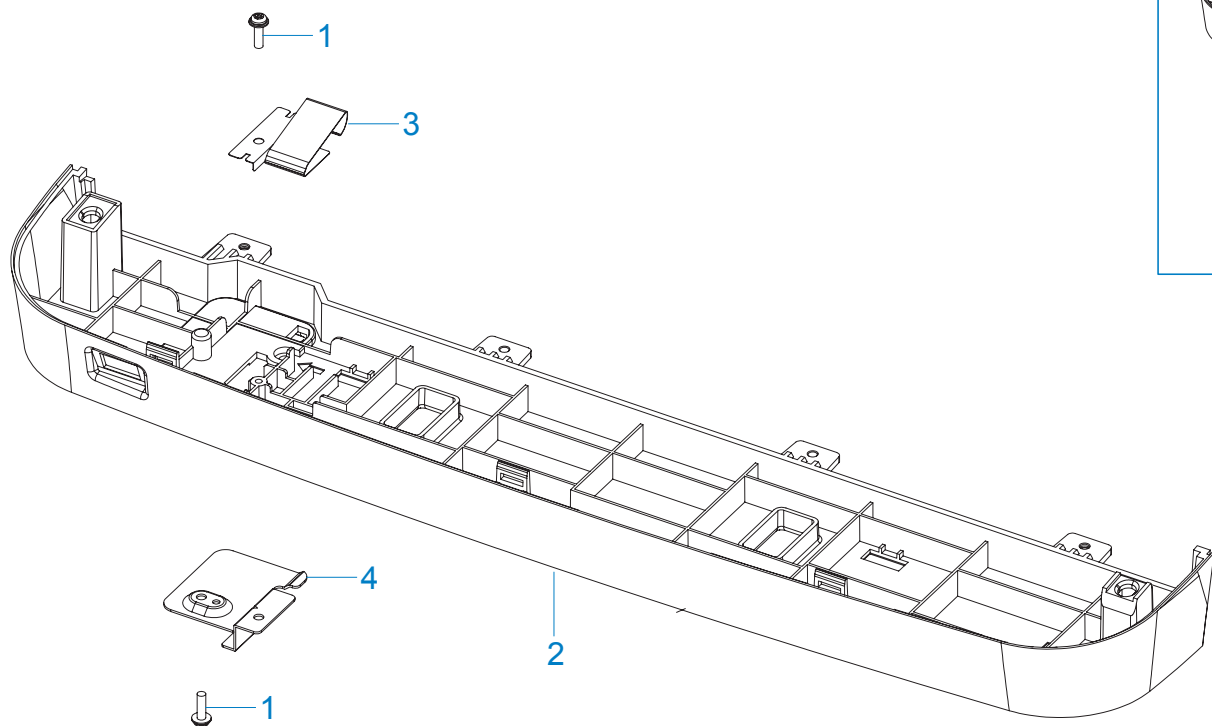
SA : SERVICE AVAILABLE, SNA : SERVICE not AVAILABLE

Drawer#	SEC_Code	Description	QT'y	Service	Grade	Remark
0	JC96-04921B	ELA HOU-COVER REAR UP	1	SA	A	
2	JC63-01690B	COVER-REAR UPPER	1	SNA	B	
3	0604-001095	PHOTO-INTERRUPTER	1	SA	A	
4	JC39-01052A	HARNES-P_WIDTH	1	SA	D	
5	JC66-01821A	ACTUATOR-BIN FULL	1	SA	D	
6	JC61-00829A	HOLDER-BEARING EXIT F/DOWN	2	SA	A	
7	JC66-01886A	ROLLER-EXIT LOWER	1	SNA	A	

Drawer#	SEC_Code	Description	QT'y	Service	Grade	Remark
8	JC66-01818A	GEAR-EXIT IDLE	1	SNA	B	
9	JC66-40209A	GEAR-EXIT	1	SA	D	
10	JC63-01709A	GROUND-EXIT COVER	1	SNA	B	
11	JC75-00095A	MEC-BRUSH ANTISTATIC	1	SA	B	
12	JC63-01907A	SHEET-BRUSH	1	SNA	B	
13	JC66-02092A	ACTUATOR-PAPER EXIT	1	SA	B	

5. ELA HOU-LOWER DUMMY

Ver. 1.00



ELA HOU-LOWER DUMMY Parts List

Ver. 1.00

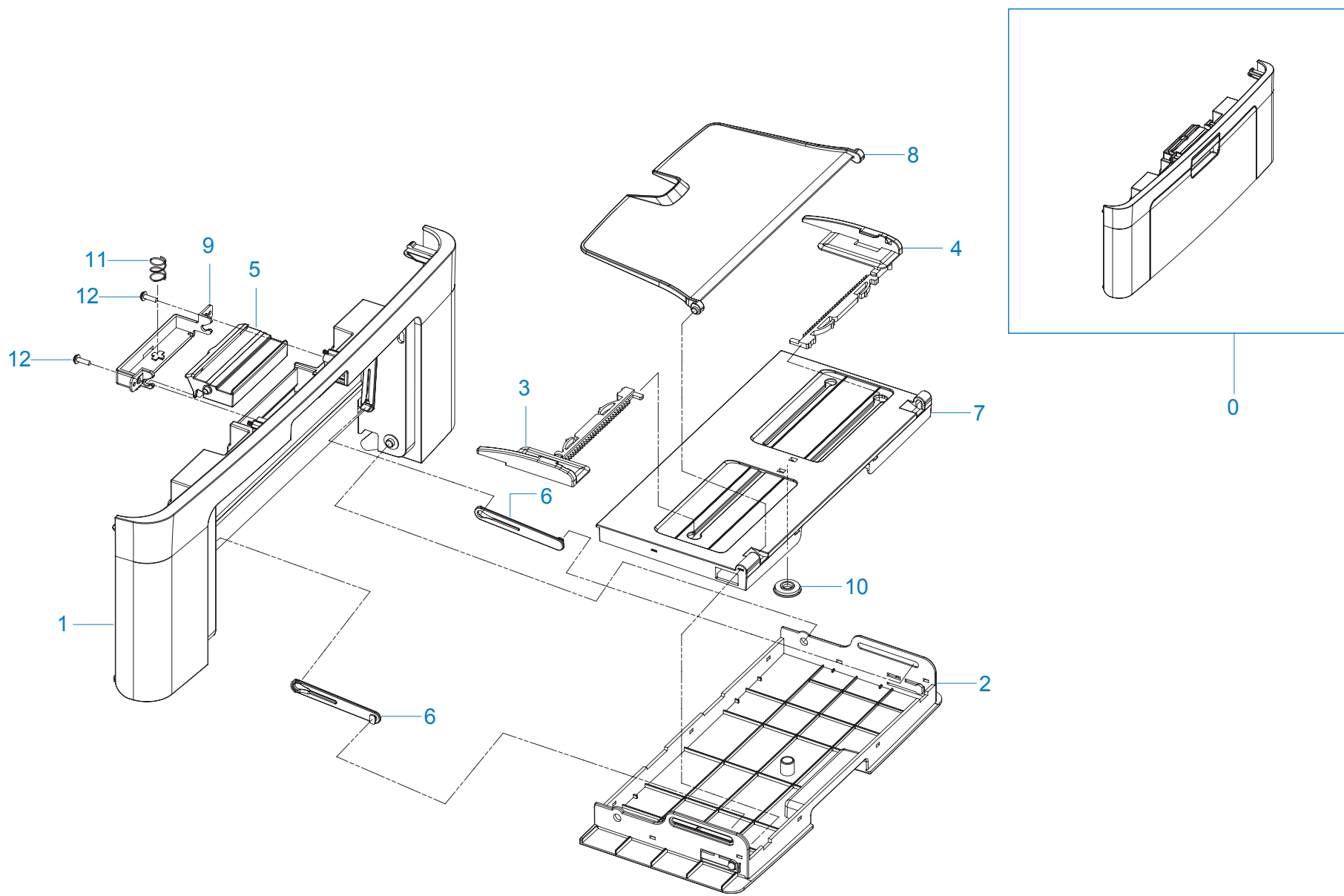
SA : SERVICE AVAILABLE, SNA : SERVICE not AVAILABLE

Drawer#	SEC_Code	Description	QT'y	Service	Grade	Remark
0	JC96-05478A	ELA HOU-LOWER DUMMY	1	SA	A	SCX-5835FN
0	JC96-05478B	ELA HOU-LOWER DUMMY	1	SA	A	SCX-5935FN
1	6003-000196	SCREW TAPTITE	2	SA	A	
2	JC63-02041A	COVER SCAN LOWER DUMMY	1	SNA	B	SCX-5835FN

Drawer#	SEC_Code	Description	QT'y	Service	Grade	Remark
2	JC63-02041B	COVER SCAN LOWER DUMMY	1	SNA	B	SCX-5935FN
3	JC63-02044A	GOUND PLATE LCD	1	SNA	B	
4	JC61-02744A	PLATE LCD SUPPORT	1	SNA	A	

6. MEA COVER FRONT

Ver. 1.00



MEA COVER FRONT Parts List

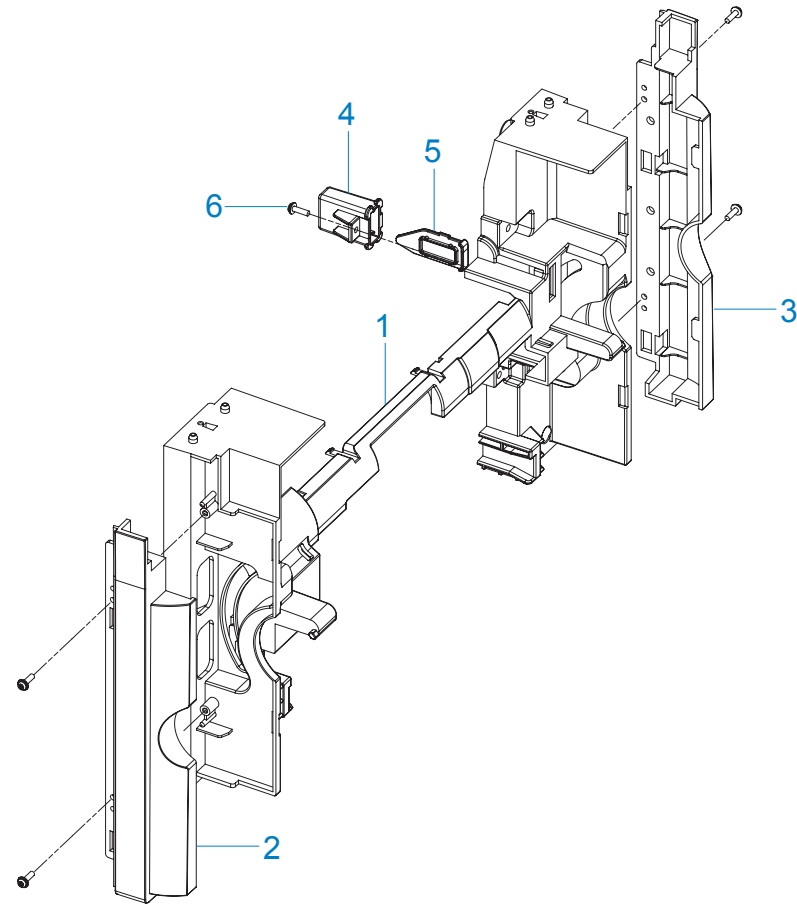
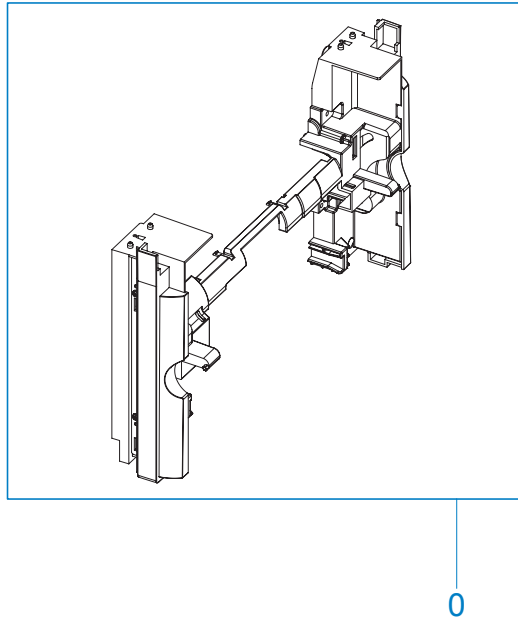
Ver. 1.00

SA : SERVICE AVAILABLE, SNA : SERVICE not AVAILABLE

Drawer#	SEC_Code	Description	QT'y	Service	Grade	Remark
0	JC97-03490A	MEA-COVER FRONT	1	SA	A	
1	JC63-02034A	COVER-FRONT	1	SNA	B	
2	JC63-02046A	TRAY-ASF INPUT	1	SNA	B	
3	JC70-00478D	ADJUST-M_MP L	1	SNA	D	
4	JC70-00479D	ADJUST-M_MP R	1	SNA	D	
5	JC64-00439A	LOCKER-FRONT COVER	1	SNA	B	
6	JC63-00444A	TRAY-M-LINK_MP	2	SA	A	

Drawer#	SEC_Code	Description	QT'y	Service	Grade	Remark
7	JC63-00446F	TRAY-COVER_MP	1	SNA	B	
8	JC63-00447F	TRAY-M_EXIT_MP	1	SNA	B	
9	JC61-00953E	HOLDER-LOCKER	1	SA	B	
10	JG66-40003A	GEAR-PINION	1	SA	B	
11	JG61-70549A	SPRING ETC-CIS(C2)	1	SA	B	
12	6003-000196	SCREW-TAPTITE	2	SA	A	

7. MEA COVER MID FRONT



MEA COVER MID FRONT Parts List

Ver. 1.00

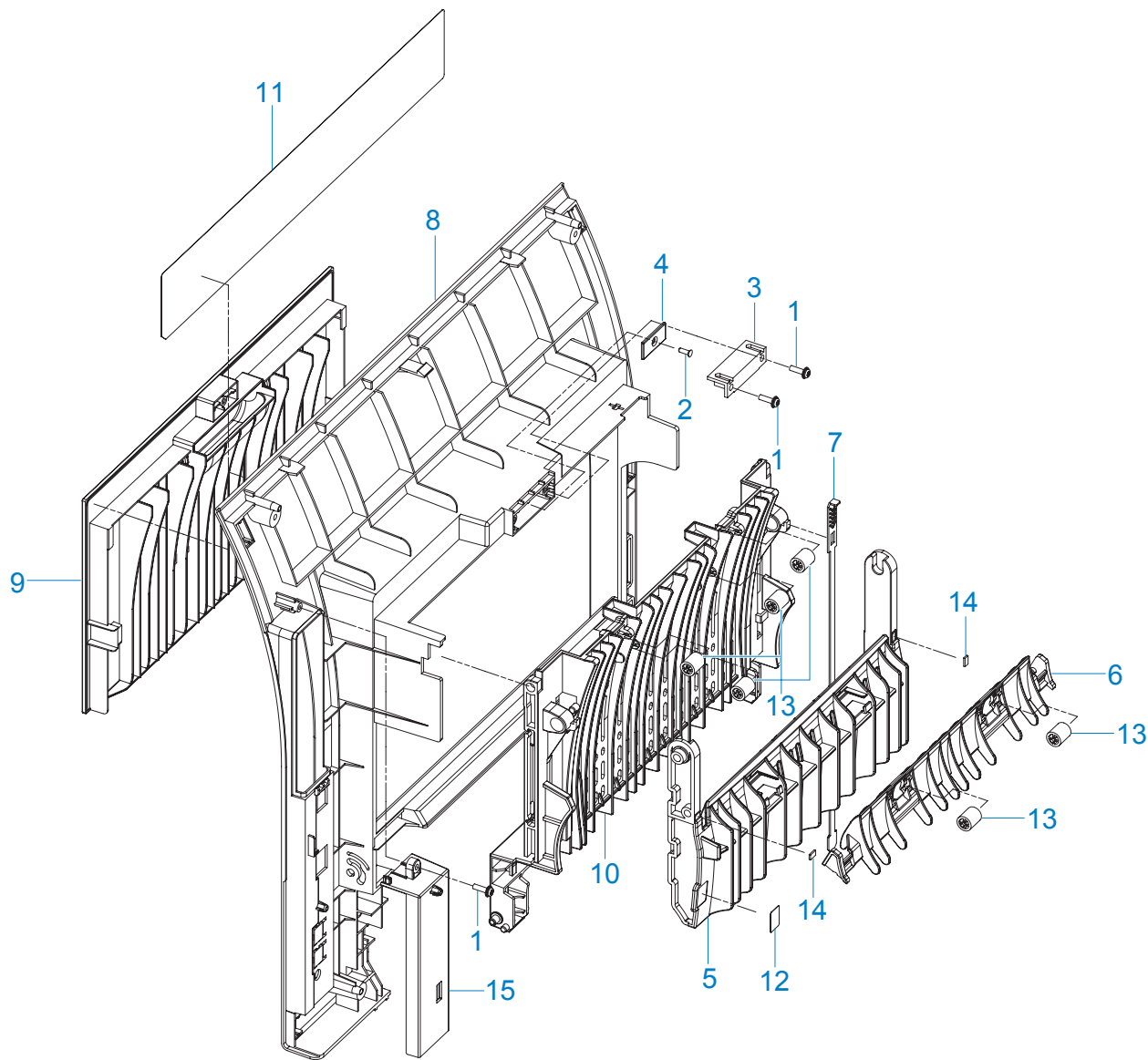
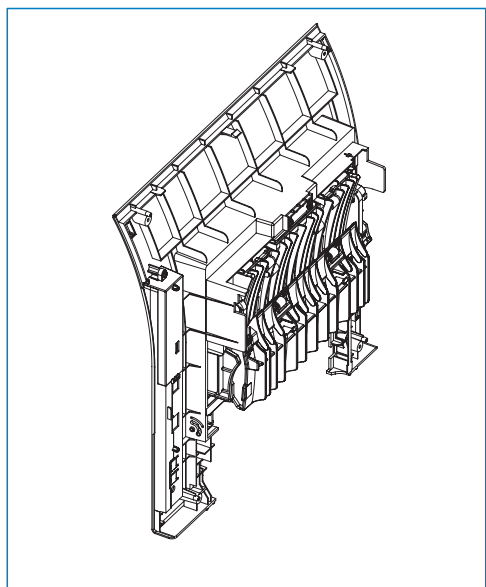
SA : SERVICE AVAILABLE, SNA : SERVICE not AVAILABLE

Drawer#	SEC_Code	Description	QT'y	Service	Grade	Remark
0	JC97-03491A	MEA-COVER MID FRONT	1	SA	A	
1	JC63-01681B	COVER-MID FRONT	1	SNA	B	
2	JC63-02037A	COVER-SIDE DUMMY L	1	SNA	B	
3	JC63-02038A	COVER-SIDE DUMMY R	1	SNA	B	

Drawer#	SEC_Code	Description	QT'y	Service	Grade	Remark
4	JC67-00068F	CAP-M-SUB ACTUATOR	1	SNA	B	
5	JC72-01339A	PMO-M-SUB ACTUATOR	1	SNA	D	
6	6003-000196	SCREW-TAPTITE	5	SA	A	

8. MEA COVER REAR

Ver. 1.00



MEA COVER REAR Parts List

Ver. 1.00

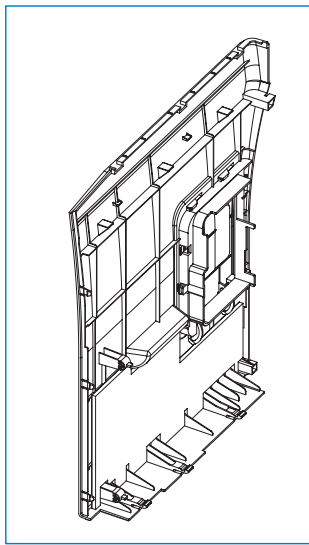
SA : SERVICE AVAILABLE, SNA : SERVICE not AVAILABLE

Drawer#	SEC_Code	Description	QT'y	Service	Grade	Remark
0	JC97-03492A	MEA-COVER REAR	1	SA	A	
1	6003-000196	SCREW-TAPTITE	3	SA	A	
2	6003-001001	SCREW-TAPTITE	1	SNA	B	
3	JC61-00961A	MAGNET-CATCH DELL	1	SNA	A	
4	JC61-00962A	PLATE-MAGNET CATCH	1	SNA	A	
5	JC61-01583A	GUIDE-OUTPUT FUSER	1	SNA	A	
6	JC61-01944A	GUIDE-OUTPUT F UPPER	1	SNA	B	
7	JC61-01653A	STOPPER-M-STRAP	1	SA	B	

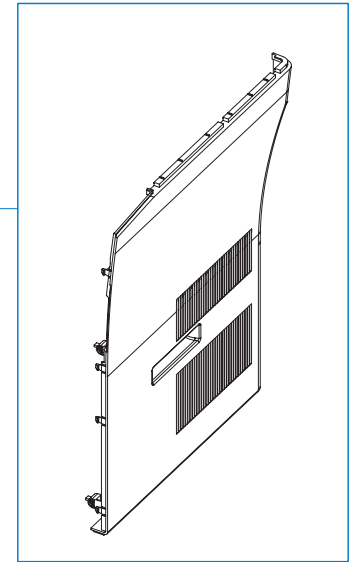
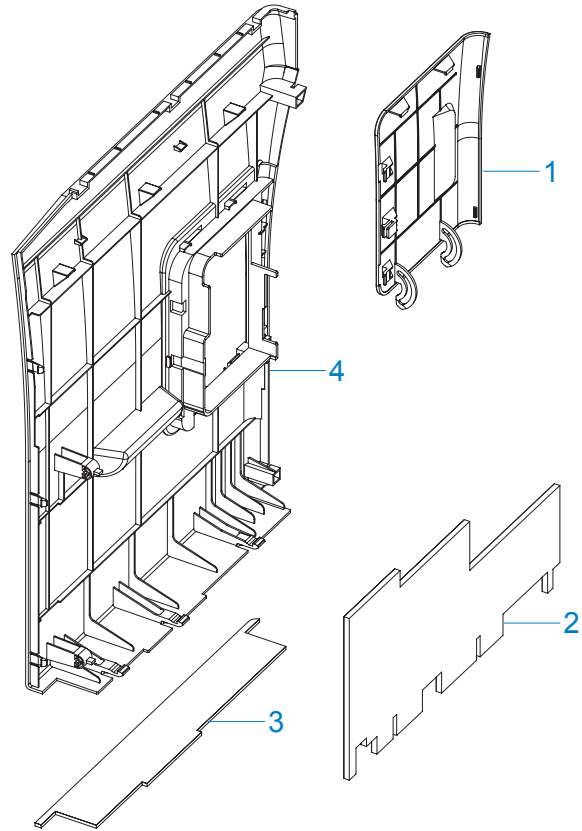
Drawer#	SEC_Code	Description	QT'y	Service	Grade	Remark
8	JC63-01678C	COVER-REAR	1	SNA	B	
9	JC63-00936E	COVER-FACE UP	1	SNA	B	
10	JC63-01691B	COVER-STACKER REAR	1	SNA	B	
11	JC68-02070B	LABEL INFORMATION	1	SA	A	
12	JC68-01669A	LABEL(R)-FUSER	1	SNA	A	
13	JC72-40981A	PMO-ROLLER UPPER DP	6	SA	B	
14	JC72-01403A	SPONGE-GUIDE OUTPUT	2	SNA	B	
15	JC63-02047A	COVER-SUB PANEL	1	SNA	B	

9. MEA COVER SIDE R_L

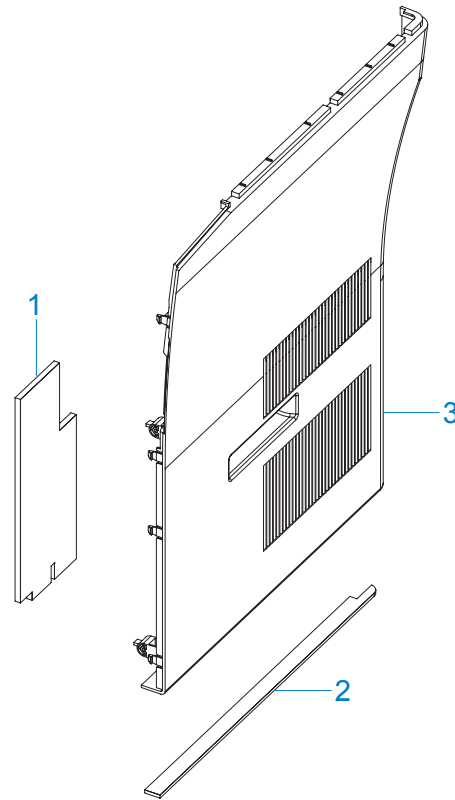
Ver. 1.00



A



B



MEA COVER SIDE R_L Parts List

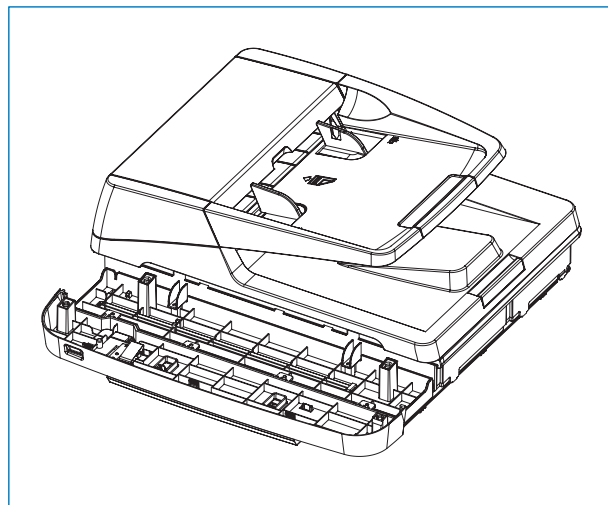
Ver. 1.00

SA : SERVICE AVAILABLE, SNA : SERVICE not AVAILABLE

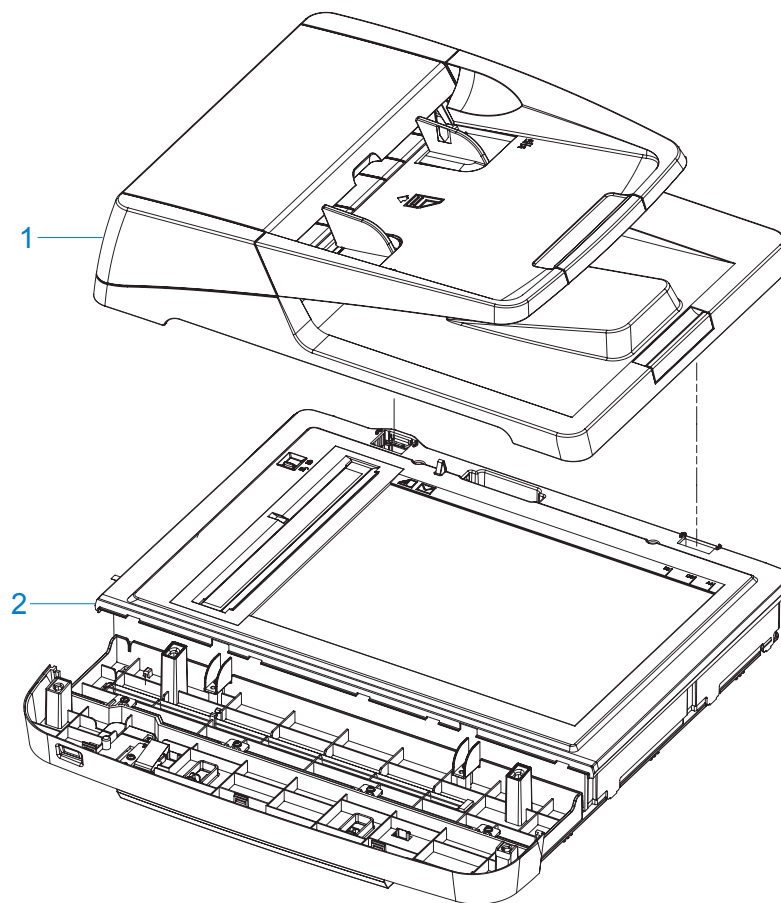
Drawer#	SEC_Code	Description	QT'y	Service	Grade	Remark
A	JC97-03116B	MEA-COVER SIDE L	1	SA	A	
1	JC63-01679B	COVER-DIMM	1	SNA	B	
2	JC72-01434A	SPONGE-SIDE_L1	1	SNA	D	
3	JC72-01435A	SPONGE-SIDE_L2	1	SNA	D	
4	JC63-01680B	COVER SIDE-L	1	SNA	B	

Drawer#	SEC_Code	Description	QT'y	Service	Grade	Remark
B	JC97-03148B	MEA-COVER SIDE R	1	SA	A	
1	JC72-01432A	SPONGE-SIDE R1	1	SNA	D	
2	JC72-01433A	SPONGE-SIDE R2	1	SNA	D	
3	JC63-01685B	COVER SIDE-R	1	SNA	B	

10. ELA HOU SCAN



0



1

2

ELA HOU SCAN Parts List

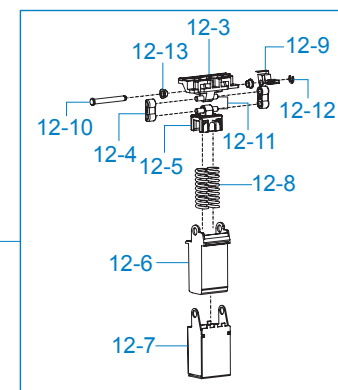
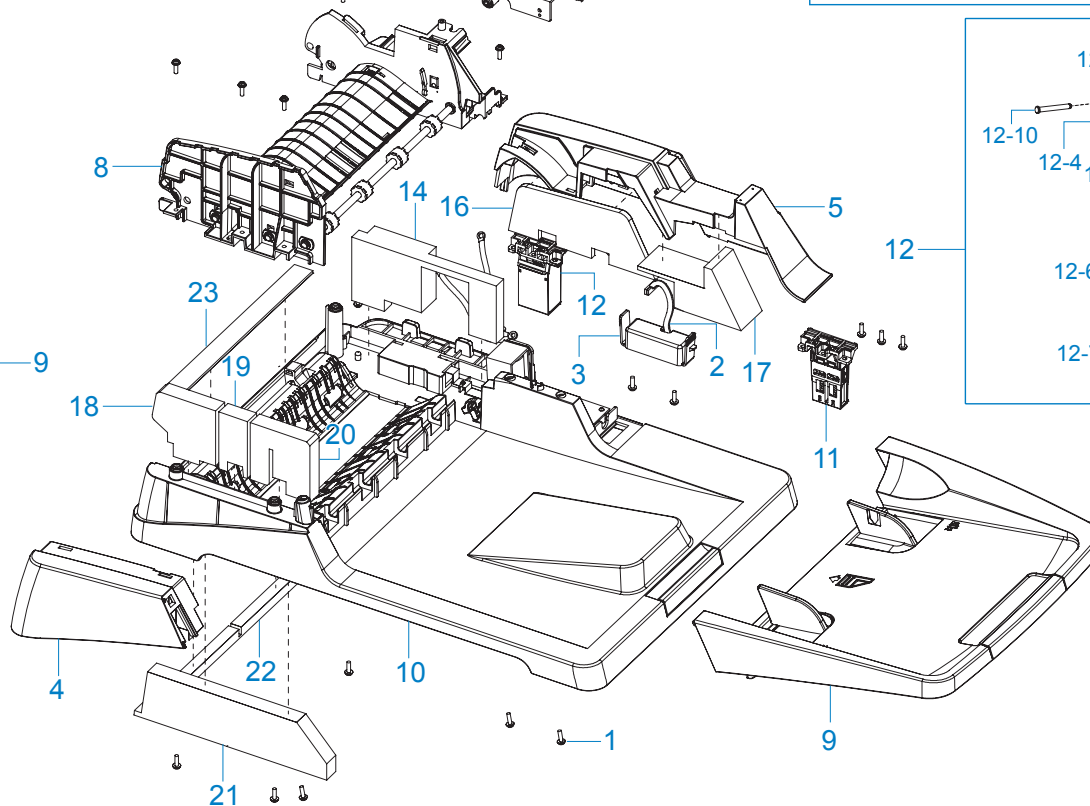
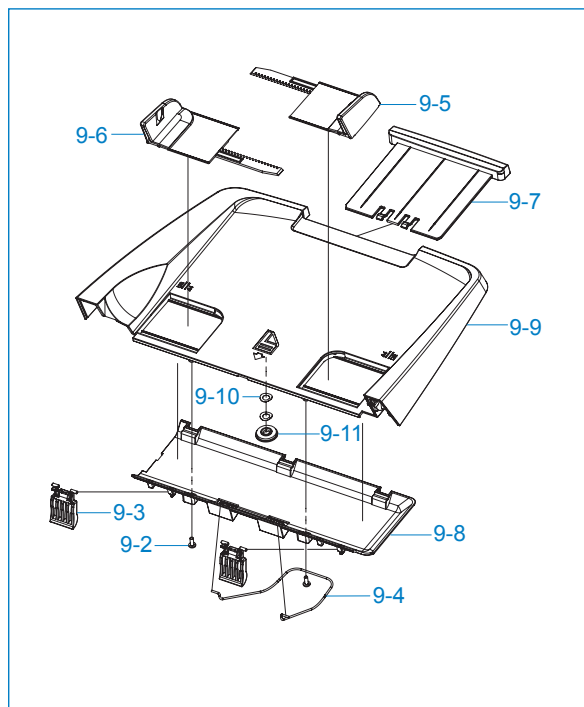
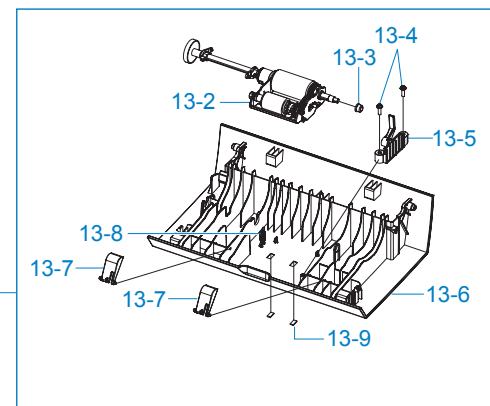
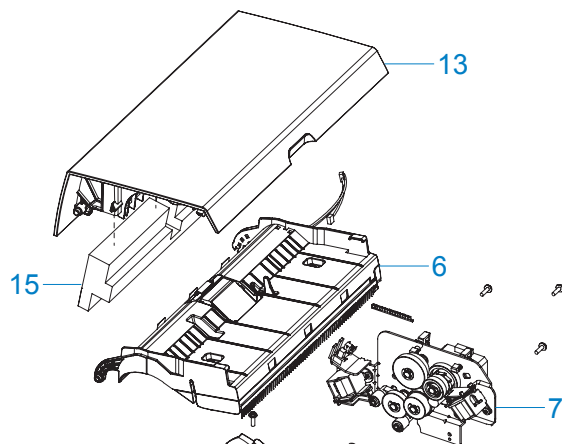
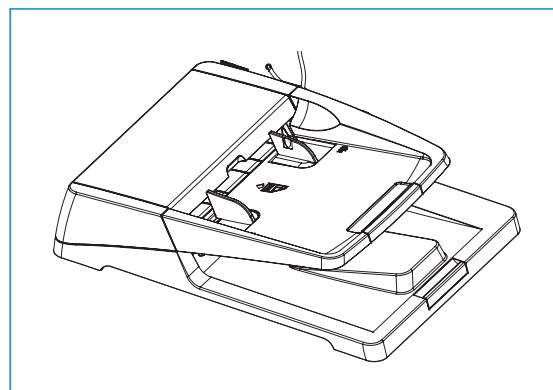
Ver. 1.00

SA : SERVICE AVAILABLE, SNA : SERVICE not AVAILABLE

Drawer#	SEC_Code	Description	QT'y	Service	Grade	Remark
0	JC96-05376A	ELA HOU-SCAN	1	SNA	A	
1	JC96-05378A	ELA HOU-DADF	1	SA	A	

Drawer#	SEC_Code	Description	QT'y	Service	Grade	Remark
2	JC96-05381A	ELA HOU-PLATEN	1	SA	A	

11. ELA HOU DADF



ELA HOU DADF Parts List

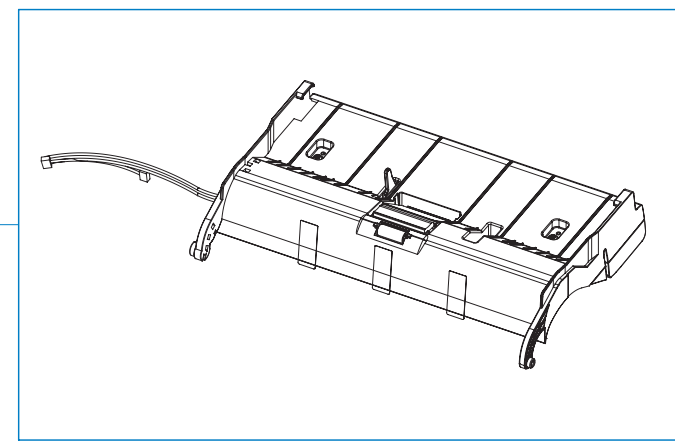
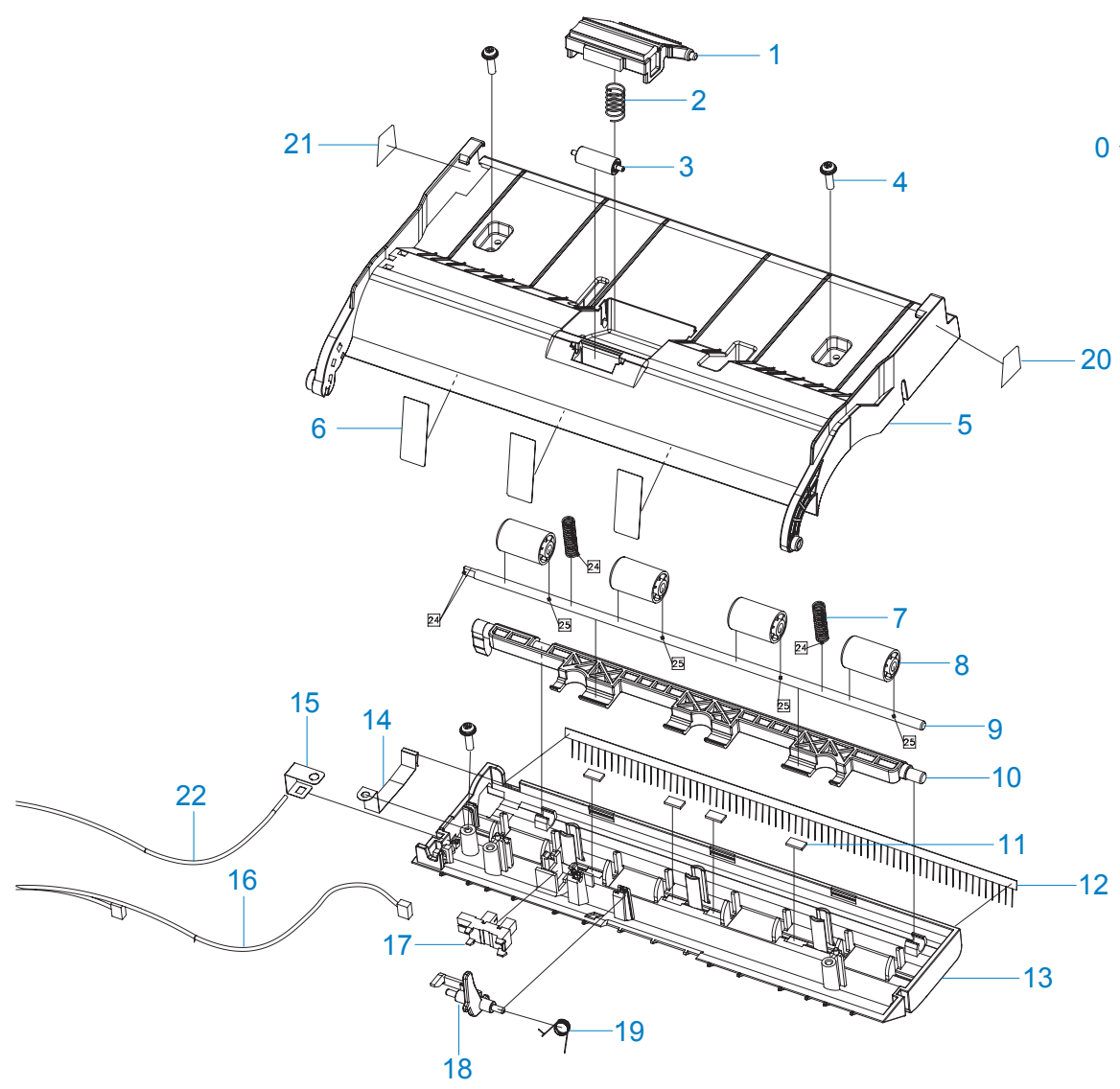
Ver. 1.00

SA : SERVICE AVAILABLE, SNA : SERVICE not AVAILABLE

Drawer#	SEC_Code	Description	QT'y	Service	Grade	Remark
0	JC96-05378A	ELA HOU-DADF	1	SA	A	
1	6003-000196	SCREW-TAPTITE	24	SA	A	
2	JC39-00851A	HARNESS-DADF UPPER	1	SA	A	
3	JC63-00998D	COVER-ADF CONNECTOR	1	SA	B	
4	JC63-02027A	COVER-DADF FRONT	1	SA	B	
5	JC63-02028A	COVER-DADF REAR	1	SA	B	
6	JC96-04815C	ELA HOU-DADF UPPER	1	SA	A	
7	JC96-04816A	ELA HOU-DADF DRV	1	SA	B	
8	JC96-04818C	ELA HOU-DADF LOWER	1	SA	A	
9	JC96-05377A	ELA HOU-TX STACKER	1	SA	A	
9-2	6003-000282	SCREW-TAPTITE	2	SA	B	
9-3	JC61-02486C	GUIDE-STACKER EXIT	2	SNA	B	
9-4	JC61-02513A	GUIDE-STACKER WIRE	1	SNA	A	
9-5	JC61-02572A	GUIDE-DOC L	1	SNA	A	
9-6	JC61-02573A	GUIDE-DOC R	1	SNA	B	
9-7	JC61-02743A	GUIDE-EXTENSION INPUT	1	SNA	B	
9-8	JC63-02031A	COVER-RACK	1	SNA	B	
9-9	JC63-02032A	COVER-STACKER TX	1	SNA	B	
9-10	JF70-10616A	IPR-WASHER SPRING CU	2	SA	B	
9-11	JG66-40003A	GEAR-PINION	1	SA	B	
10	JC96-05379A	ELA HOU-COVER PLATEN	1	SA	A	
11	JC97-02779A	MEA UNIT-HINGE	1	SA	A	
12	JC97-03038A	MEA UNIT-HINGE_DADF	1	SA	B	
12-3	JC61-02224A	HINGE-PLATEN	1	SNA	B	
12-4	JC61-01432A	HINGE-M_LINK L	2	SNA	A	
12-5	JC61-02223A	HINGE-SLIDER	1	SNA	B	
12-6	JC61-02248A	HINGE-SCAN	1	SNA	B	

Drawer#	SEC_Code	Description	QT'y	Service	Grade	Remark
12-7	JC61-02183A	HOUSING-HINGE_SCAN	1	SNA	B	
12-8	6107-001354	SPRING-CS	2	SA	B	
12-9	JC63-01568A	GROUND-HINGE	1	SNA	B	
12-10	JC66-01810A	SHAFT-HINGE	1	SNA	B	
12-11	JC66-01811A	SHAFT-LINK	2	SNA	B	
12-12	6044-000159	RING-C	1	SA	D	
12-13	JC61-01686A	BUSH-4D_FE	2	SNA	B	
13	JC97-03487A	MEA UNIT-COVER OPEN	1	SA	A	
13-2	JC97-03070A	MEA UNIT-PICK UP DADF	1	SA	B	
13-3	JB72-00819A	PMO-BUSH	1	SA	A	
13-4	6003-000196	SCREW-TAPTITE	2	SA	A	
13-5	JC97-03060A	MEA UNIT-STOPPER	1	SA	B	
13-6	JC63-02029A	COVER-OPEN	1	SNA	B	
13-7	JC61-00788A	GUIDE-M_DOC SENSOR	2	SNA	B	
13-8	JC61-02489A	SPRING ETC-PICKUP	1	SA	B	
13-9	JC66-01876A	DAMPER-DADF UPPER	2	SNA	B	
14	JC72-01513A	SPONGE-DADF INNER	1	SNA	D	
15	JC72-01514A	SPONGE-DADF OPEN	1	SNA	D	
16	JC72-01515A	SPONGE-DADF REAR	1	SNA	D	
17	JC72-01516A	SPONGE-DADF REAR DUMMY	1	SNA	D	
18	JC72-01517A	SPONGE-FRONT L	1	SNA	D	
19	JC72-01518A	SPONGE-FRONT M	1	SNA	D	
20	JC72-01519A	SPONGE-FRONT R	1	SNA	D	
21	JC72-01520A	SPONGE-PLATEN FRONT	1	SNA	D	
22	JC72-01521A	SPONGE-PLATEN LOWER	2	SNA	D	
23	JC72-01522A	SPONGE-PLATEN UPPER	1	SNA	D	

12. ELA HOU-DADF UPPER



ELA HOU-DADF UPPER Parts List

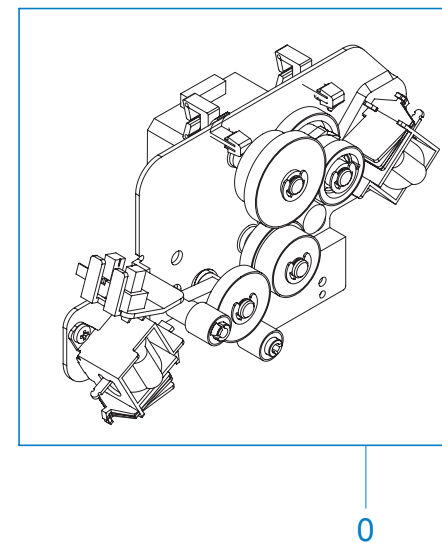
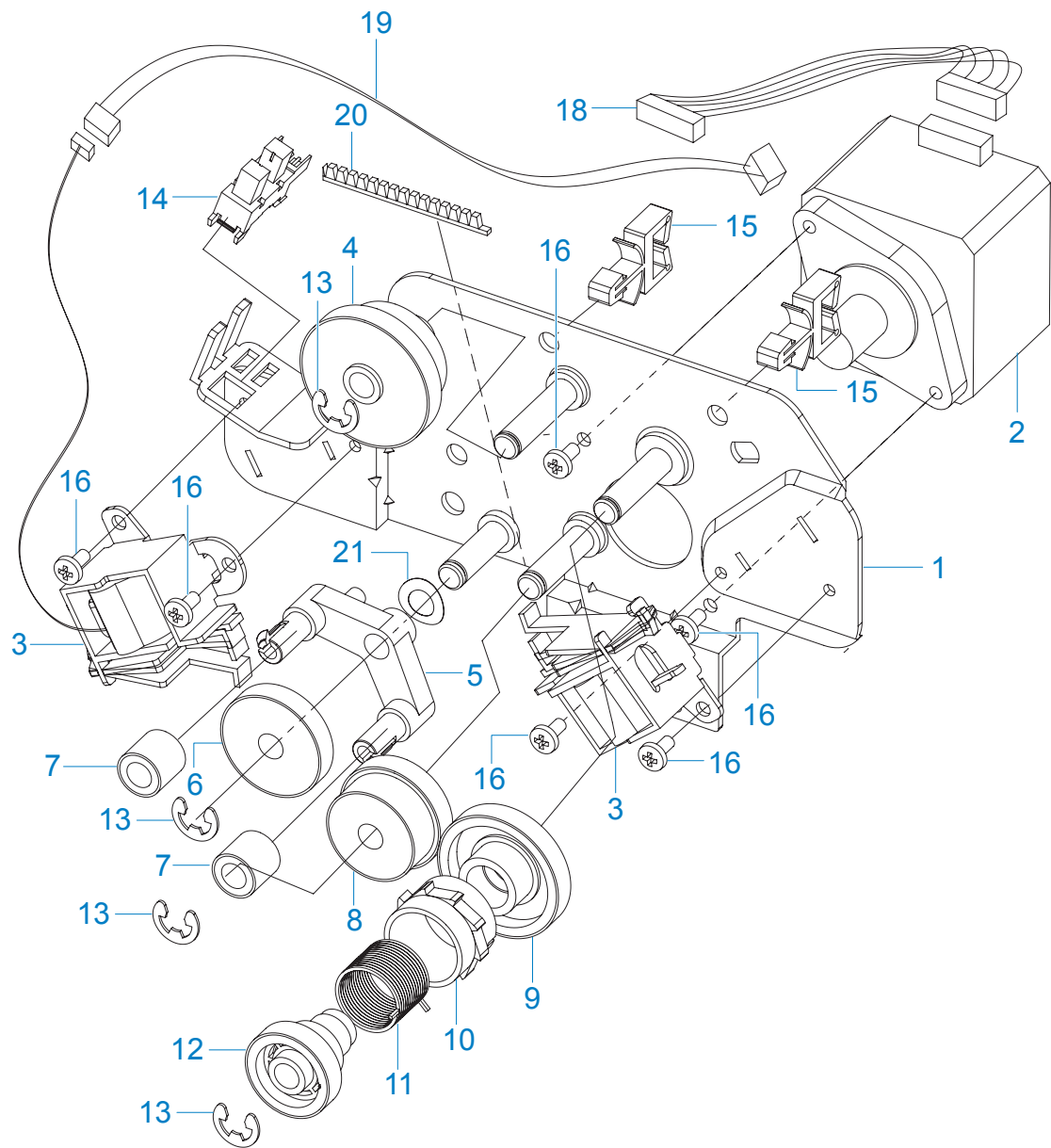
Ver. 1.00

SA : SERVICE AVAILABLE, SNA : SERVICE not AVAILABLE

Drawer#	SEC_Code	Description	QT'y	Service	Grade	Remark
0	JC96-04815C	ELA HOU-DADF UPPER	1	SA	A	
1	JC97-03069A	MEA UNIT-DADF RUBBER	1	SA	B	
2	JC61-00387A	SPRING ETC-PAD	1	SA	A	
3	JC66-00461A	ROLLER-M-ADF IDLE	1	SA	A	
4	6003-000196	SCREW-TAPTITE	3	SA	A	
5	JC63-01610D	COVER-DADF_UPPER TOP	1	SNA	B	
6	JC63-01776A	SHEET-PATH	3	SA	B	
7	JC61-02428A	SPRING ETC-EXIT IDLE	2	SNA	B	
8	JC66-01022B	ROLLER-M_IDLE SCF	4	SNA	B	
9	JC66-01817A	SHAFT-FEED IDLE	1	SNA	B	
10	JC61-02252A	HOLDER-LIFTING_IDLE	1	SNA	B	
11	JC66-01876A	DAMPER-DADF UPPER	4	SNA	B	
12	JC75-00095A	MEC-BRUSH ANTISTATIC	1	SA	B	

Drawer#	SEC_Code	Description	QT'y	Service	Grade	Remark
13	JC63-01622D	COVER-DADF UPPER BT	1	SNA	A	
14	JC63-01664A	GROUND-BRUSH	1	SA	B	
15	JC63-01663A	GROUND-DADF UPPER	1	SA	B	
16	JC39-00854A	HARNESS-DADF SENSOR 2	1	SA	A	
17	0604-001095	PHOTO-INTERRUPTER	1	SA	A	
18	JC66-01765A	ACTUATOR-EMPTY	1	SNA	B	
19	JB61-00076A	SPRING ETC-TORSION DOC(CC2-F)	1	SA	A	
20	JC68-02078A	LABEL-INFORMATION	1	SNA	B	
21	JC68-02079A	LABEL-INFORMATION	1	SNA	B	
22	JC39-00322A	CBF-HARNESS-SCAN GND	1	SNA	A	

13. ELA HOU-DADF DRV



ELA HOU-DADF DRV Parts List

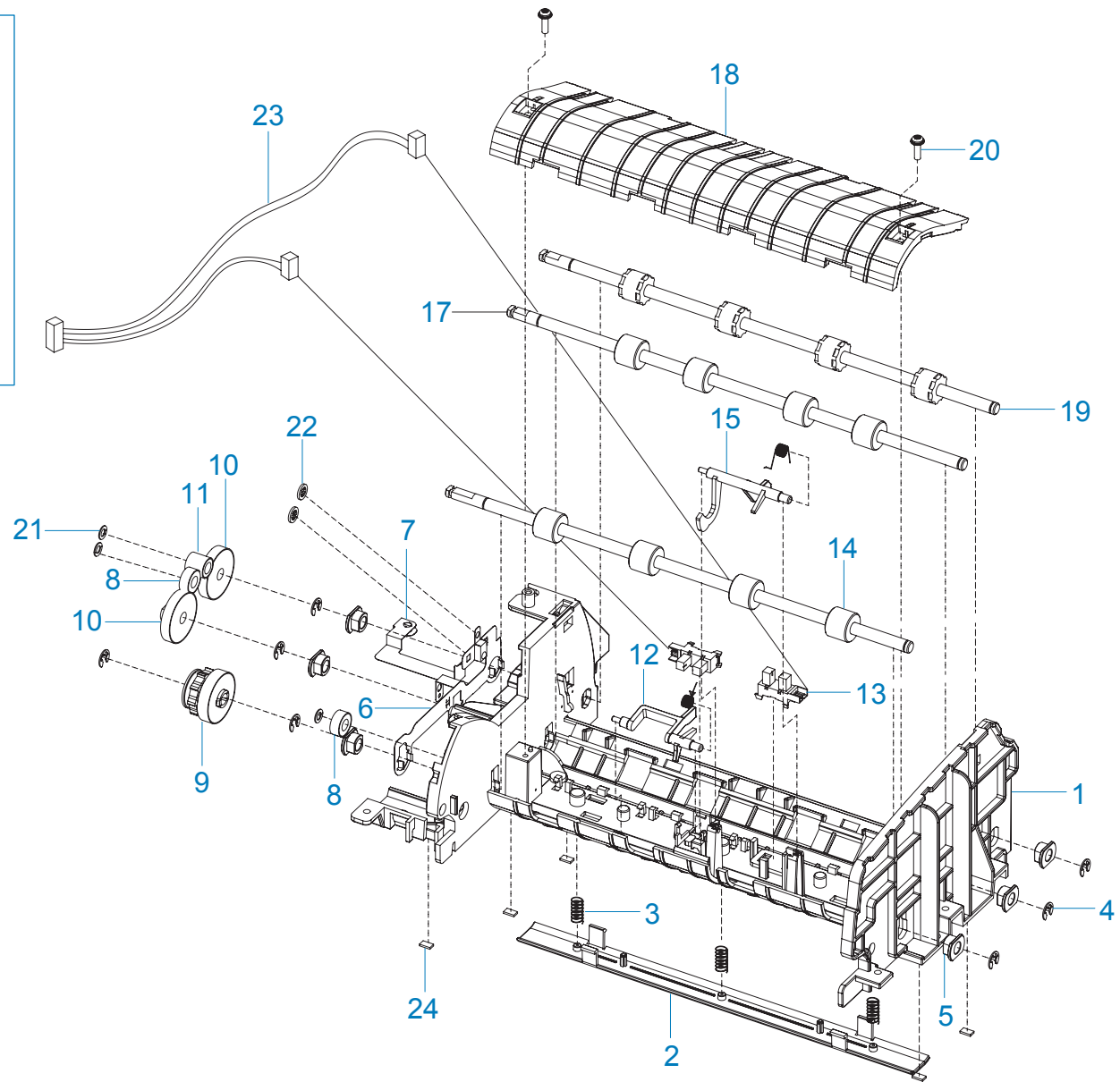
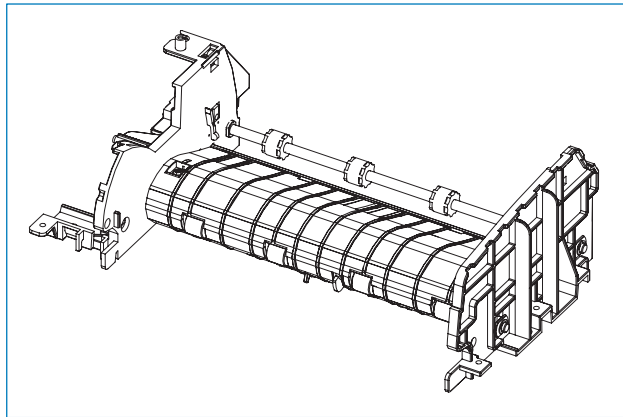
Ver. 1.00

SA : SERVICE AVAILABLE, SNA : SERVICE not AVAILABLE

Drawer#	SEC_Code	Description	QT'y	Service	Grade	Remark
0	JC96-04816A	ELA HOU-DADF DRV	1	SA	B	
1	JC61-02386A	BRACKET-DRIVE DADF	1	SNA	B	
2	JC31-00096A	MOTOR STEP	1	SA	B	
3	JC33-00030A	SOLENOID-DADF	2	SA	A	
4	JC66-01758A	GEAR-PICKUP IDLE	1	SA	B	
5	JC61-02278A	BRACKET-SWING	1	SNA	B	
6	JC66-01753A	GEAR-FEED IDLE B	1	SA	B	
7	JC66-01754A	GEAR-FEED IDLE C	2	SA	B	
8	JC66-01752A	GEAR-FEED IDLE A	1	SA	B	
9	JC66-01759A	GEAR-PICKUP IDLE LOW	1	SA	B	
10	JC61-02240A	COLLAR-PICKUP	1	SNA	B	

Drawer#	SEC_Code	Description	QT'y	Service	Grade	Remark
11	6107-001171	SPRING-TS	1	SA	A	
12	JC66-01760A	GEAR-PICKUP IDLE UPPER	1	SA	B	
13	6044-000125	RING-E	4	SA	A	
14	0604-001095	PHOTO INTERRUPTER	1	SA	A	
15	6502-000132	CABLE CLAMP	2	SA	A	
16	6003-000269	SCREW TAPTITE	6	SA	B	
18	JC39-00852A	HARNESS-DADF MOTOR	1	SA	A	
19	JC39-00855A	HARNESS-DADF REGI SOL	1	SA	A	
20	6302-001056	GASKET	0.13	SNA	A	
21	JF70-10616A	IPR-WASHER SPRING CU	1	SA	B	

14. ELA_HOU_DADF_LOWER



ELA_HOU_DADF_LOWER Parts List

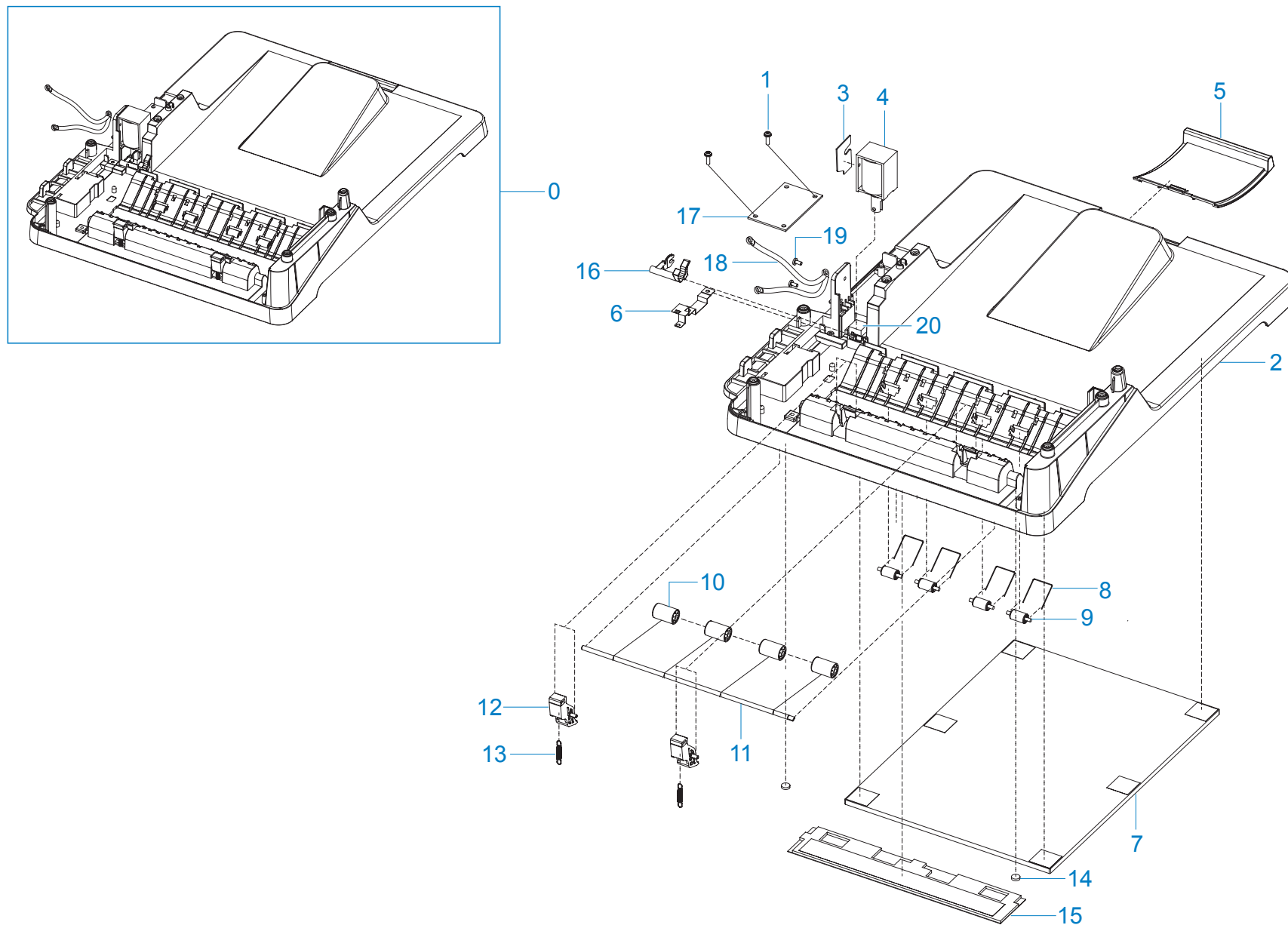
Ver. 1.00

SA : SERVICE AVAILABLE, SNA : SERVICE not AVAILABLE

Drawer#	SEC_Code	Description	QT'y	Service	Grade	Remark
0	JC96-04818C	ELA HOU-DADF LOWER	1	SA	A	
1	JC63-01589C	COVER-DADF_LOWER	1	SNA	A	
2	JC61-01179A	PLATE-M_WHITE BAR	1	SA	B	
3	6107-001552	SPRING-CS	3	SA	B	
4	6044-000125	RING-E	7	SA	A	
5	JC61-00423A	BUSH-6_D	6	SA	B	
6	JC63-01662A	GROUND-FEED EXIT	1	SA	B	
7	JC63-01661A	GROUND-DADF	1	SA	B	
8	JC66-01755A	GEAR-FEED IDLE D	2	SA	B	
9	JC97-03085A	MEA-GEAR FEED	1	SA	B	
10	JC66-01757A	GEAR-EXIT	2	SA	B	
11	JC66-01754A	GEAR-FEED IDLE C	1	SA	B	
12	JC66-01766A	ACTUATOR-FEED	1	SNA	B	
13	0604-001095	PHOTO-INTERRUPTER	2	SA	A	

Drawer#	SEC_Code	Description	QT'y	Service	Grade	Remark
14	JC66-01823A	ROLLER-FEED	1	SA	B	
15	JC66-01762A	ACTUATOR-REGI	1	SNA	B	
16	JB61-00076A	SPRING ETC-TORSION DOC (CC2-F)	2	SA	A	
17	JC66-01822A	ROLLER-MIDDLE	1	SA	A	
18	JC63-01597D	COVER-DADF_MIDDLE	1	SNA	A	
19	JC66-01824A	ROLLER-EXIT	1	SA	A	
20	6003-000196	SCREW-TAPTITE	2	SA	A	
21	6031-001584	WASHER-PLAIN	3	SA	A	
22	6044-000001	RING-CS	2	SNA	A	
23	JC39-00853A	HARNESS-DADF SENSOR 1	1	SA	A	
24	JC72-01403A	SPONGE-GUIDE OUTPUT	5	SNA	B	

15. ELA_HOU_COVER_PLATEN



ELA_HOU_COVER_PLATEN Parts List

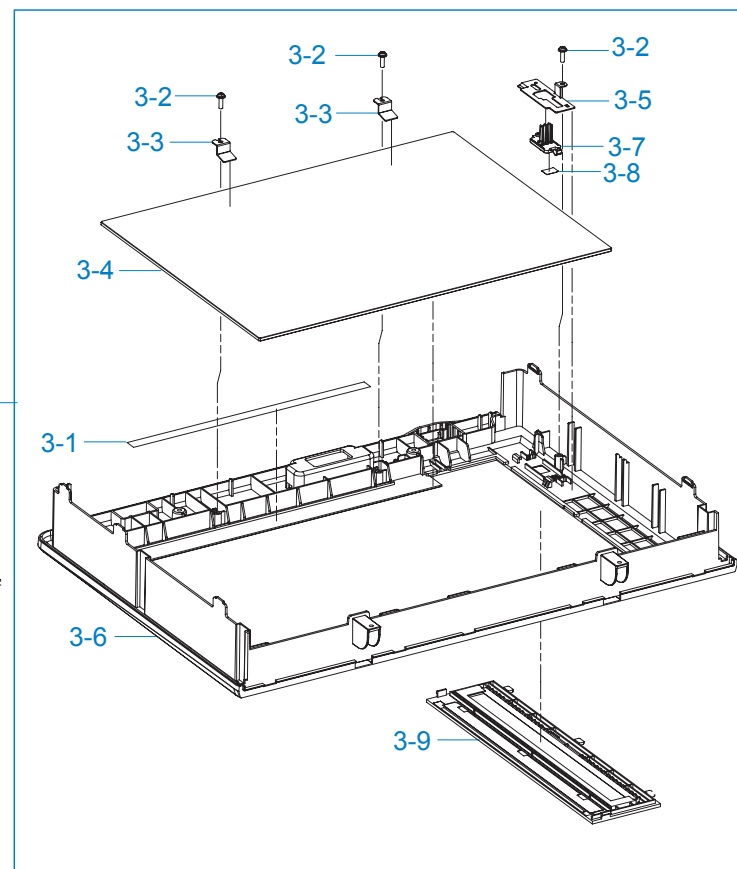
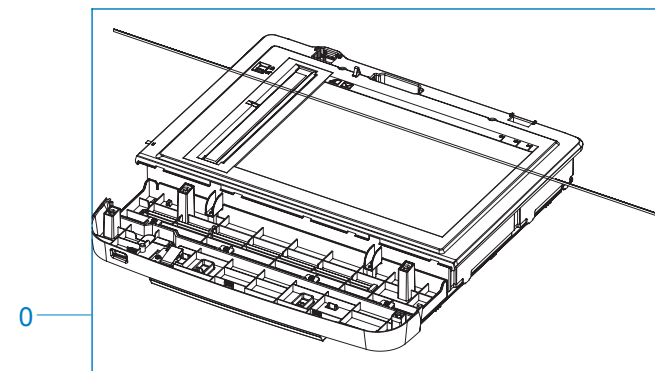
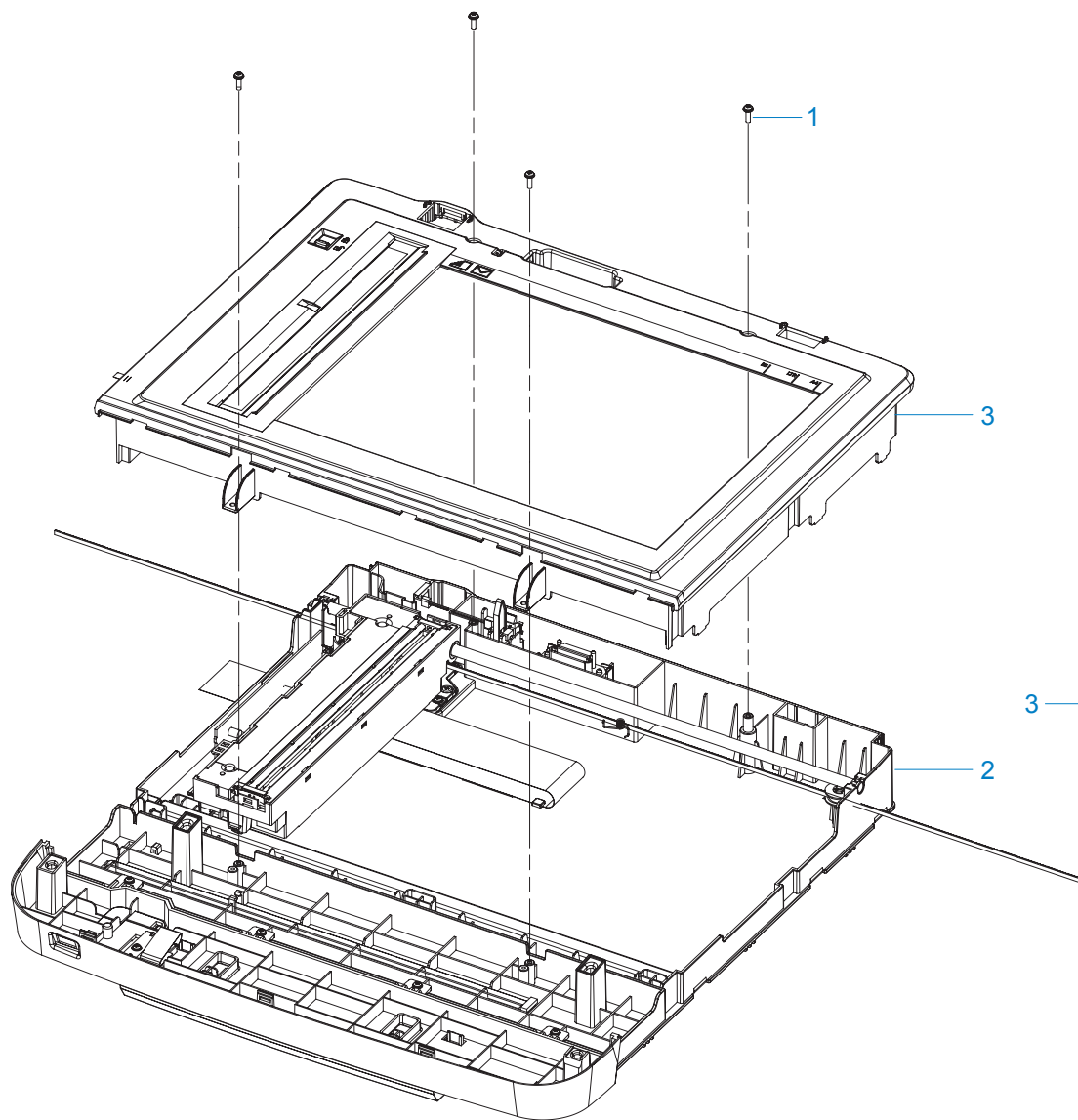
Ver. 1.00

SA : SERVICE AVAILABLE, SNA : SERVICE not AVAILABLE

Drawer#	SEC_Code	Description	QT'y	Service	Grade	Remark
0	JC96-05379A	ELA HOU-COVER PLATEN	1	SA	A	
1	6003-000196	SCREW-TAPTITE	2	SA	A	
2	JC63-02030A	COVER-PLATEN	1	SNA	B	
3	JC69-01327A	PAD-SOLENOID	1	SNA	B	
4	JC33-00031A	SOLENOID-LIFTING	1	SA	A	
5	JC61-02742A	GUIDE-EXTENSION	1	SNA	B	
6	JC63-01660A	GROUND-PLATEN	1	SA	B	
7	JC63-00209A	SHEET-WHITE SPONGE	1	SA	B	
8	JC61-02429A	SPRING ETC-MID IDLE	4	SNA	B	
9	JC66-01764A	ROLLER-IDLE	4	SNA	B	
10	JC66-01022B	ROLLER-M_IDLE SCF	4	SNA	B	

Drawer#	SEC_Code	Description	QT'y	Service	Grade	Remark
11	JC66-01817A	SHAFT-FEED IDLE	1	SNA	B	
12	JC66-01749A	LEVER-JAM_FEED	2	SNA	B	
13	6107-001554	SPRING-ES	2	SNA	B	
14	JC66-02080A	DAMPER-PLATEN	2	SNA	A	
15	JC72-01439A	SPONGE-DADF PLATEN	2	SNA	B	
16	JC66-01774A	LEVER-LIFTING_EXIT	1	SNA	B	
17	JC92-01954A	PBA-DADF	1	SA	B	
18	JC39-00892A	HARNESS-DADF GND	1	SA	A	
19	6001-000130	SCREW-TAPTITE	2	SA	A	
20	JC72-01471A	SPONGE-DADF-LIFTING	1	SNA	B	

16. ELA HOU-PLATEN



ELA HOU-PLATEN Parts List

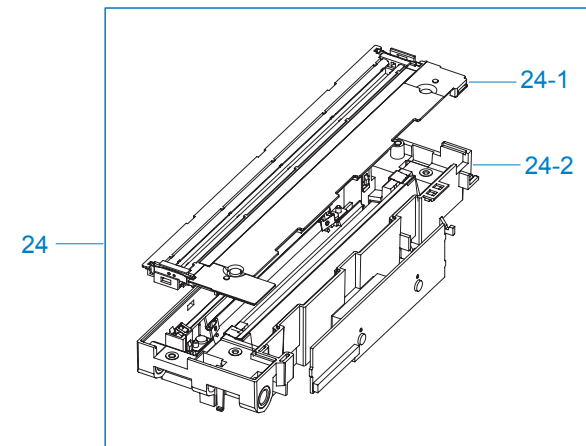
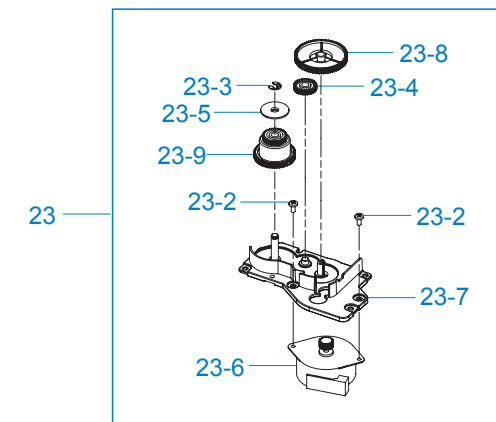
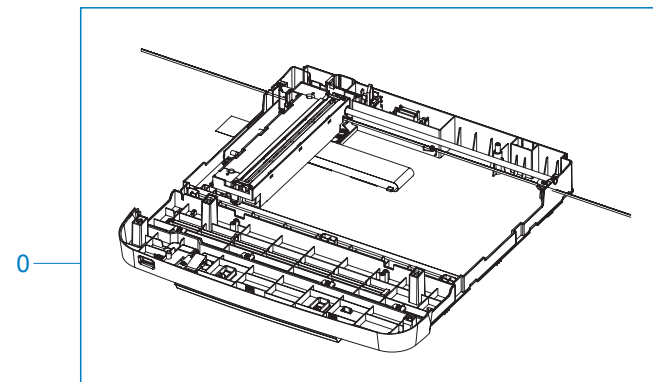
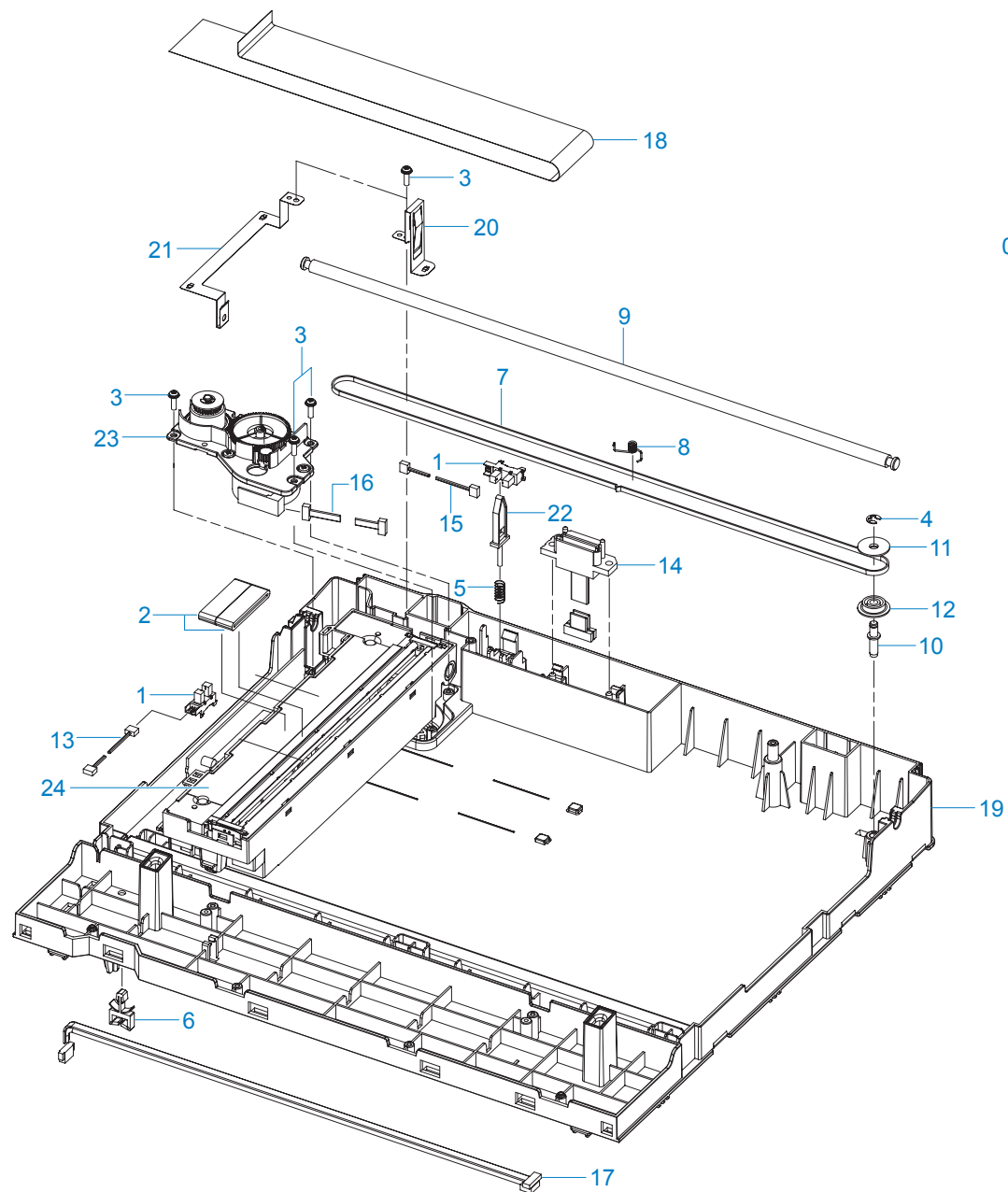
Ver. 1.00

SA : SERVICE AVAILABLE, SNA : SERVICE not AVAILABLE

Drawer#	SEC_Code	Description	QT'y	Service	Grade	Remark
0	JC96-05381A	ELA HOU-PLATEN	1	SA	A	
1	6003-000196	SCREW-TAPTITE	4	SA	A	
2	JC96-05382A	ELA HOU-SCAN LOWER	1	SNA	A	
3	JC97-03488A	MEA-SCAN UPPER	1	SA	A	
3-1	0203-001267	TAPE-DOUBLE FACE	1	SNA	A	
3-2	6003-000196	SCREW-TAPTITE	1	SA	A	
3-3	JB70-00148A	IPR-HOLDER GLASS	1	SA	D	

Drawer#	SEC_Code	Description	QT'y	Service	Grade	Remark
3-4	JC01-00001A	GLASS-SCAN	1	SA	B	
3-5	JC61-01987A	BRACKET-LOCKER	1	SNA	B	
3-6	JC63-02042A	COVER-SCAN UPPER	1	SNA	D	
3-7	JC66-01523C	LEVER-LOCKER	1	SNA	D	
3-8	JC68-01991B	LABEL-INFORMATION	1	SNA	A	
3-9	JC97-03489A	MEA-SCAN DUMMY UPPER	1	SA	A	

17. ELA HOU-SCAN LOWER



ELA HOU-SCAN LOWER Parts List

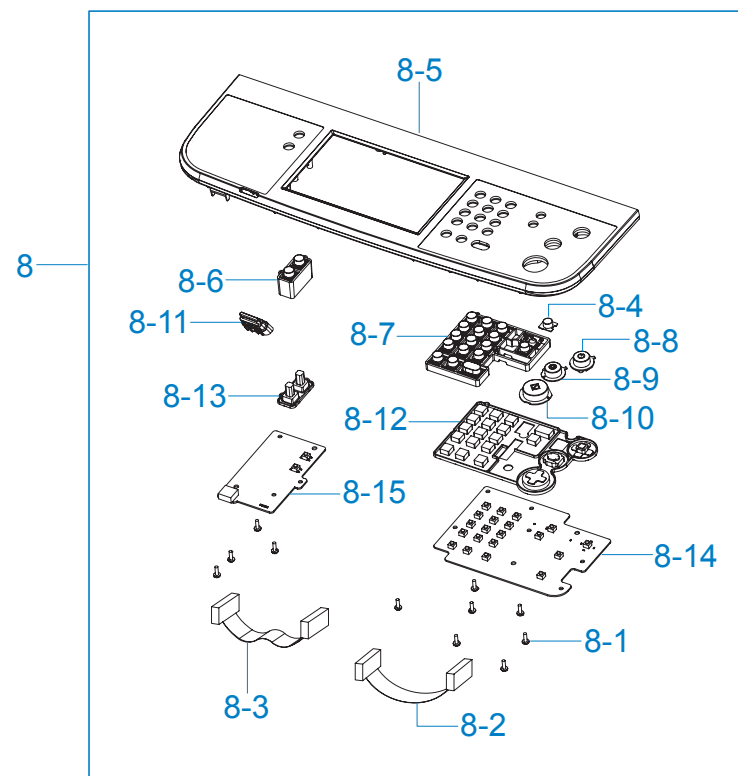
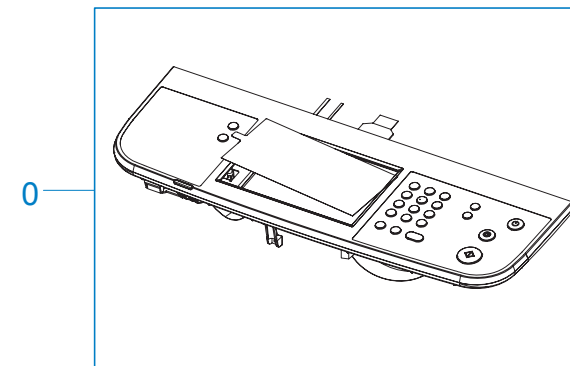
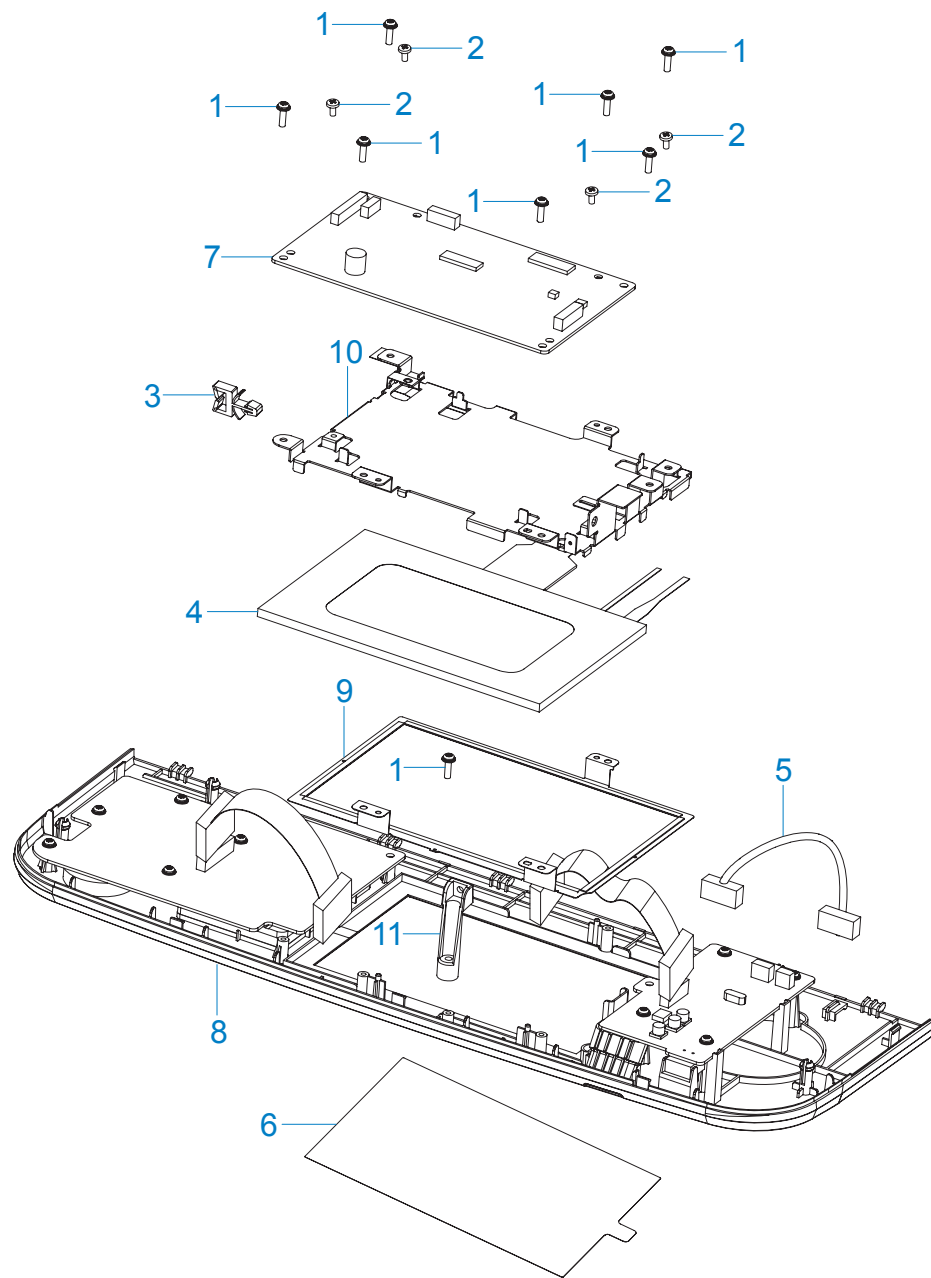
Ver. 1.00

SA : SERVICE AVAILABLE, SNA : SERVICE not AVAILABLE

Drawer#	SEC_Code	Description	QT'y	Service	Grade	Remark
0	JC96-05382A	ELA HOU-SCAN LOWER	1	SNA	A	
1	0604-001095	PHOTO-INTERRUPTER	2	SA	A	
2	3301-001900	CORE-FERRITE	2	SNA	B	
3	6003-000196	SCREW-TAPTITE	4	SA	A	
4	6044-000125	RING-E	1	SA	A	
5	6107-001135	SPRING-CS	1	SA	A	
6	6502-000132	CABLE CLAMP	1	SA	A	
7	6602-001067	BELT-TIMING GEAR	1	SA	A	
8	JB61-00059A	SPRING ETC-BELT	1	SA	A	
9	JB70-00145A	ICT-SHAFT CCD	1	SNA	B	
10	JB70-00154A	ICT-INSERT SHAFT	1	SNA	D	
11	JB72-00763A	PMO-PULLEY	1	SA	D	
12	JB72-00764A	PMO-HOLDER BELT	1	SA	D	
13	JC39-00870A	HARNESS-CCD_HOME	1	SA	A	
14	JC39-00871A	HARNESS-DADF_MAIN	1	SA	A	
15	JC39-00887A	HARNESS-F_COVER_OPEN	1	SA	A	
16	JC39-00890A	HARNESS-SCAN MOTOR	1	SA	B	
17	JC39-01033A	HARNESS-OPE_MAIN	1	SA	B	

Drawer#	SEC_Code	Description	QT'y	Service	Grade	Remark
18	JC39-01042A	FLAT CABLE	1	SA	D	
19	JC63-01694B	COVER-SCAN LOWER	1	SNA	B	
20	JC63-01704A	GROUND-HINGE SCAN	1	SNA	B	
21	JC63-01707A	GROUND-SCAN LOWER	1	SNA	B	
22	JC72-00755A	PMO-LEVER SENSOR	1	SA	B	
23	JC96-04918A	ELA HOU-SCAN MOTOR	1	SA	A	
23-2	6003-000269	SCREW-TAPTITE	2	SA	B	
23-3	6044-000125	RING-E	1	SA	A	
23-4	JB66-00083A	GEAR-IDLE	1	SA	B	
23-5	JB72-00764A	PMO-HOLDER BELT	1	SA	D	
23-6	JC31-00104A	MOTOR-STEP	1	SA	A	
23-7	JC61-00895A	BRACKET-SCAN MOTOR R2	1	SA	A	
23-8	JC66-00530A	GEAR-REDUCTION 73/37	1	SA	B	
23-9	JC66-00531A	GEAR-TIMING	1	SA	A	
24	JC96-05207A	ELA UNIT-LED MIDDLE VE	1	SA	B	
24-1	JC97-03523A	MEA UNIT-COVER LMVE	1	SNA	A	
24-2	JC97-03525A	MEA UNIT-FRAME ASSY	1	SNA	A	

18. ELA HOU-OPE



ELA HOU-OPE Parts List

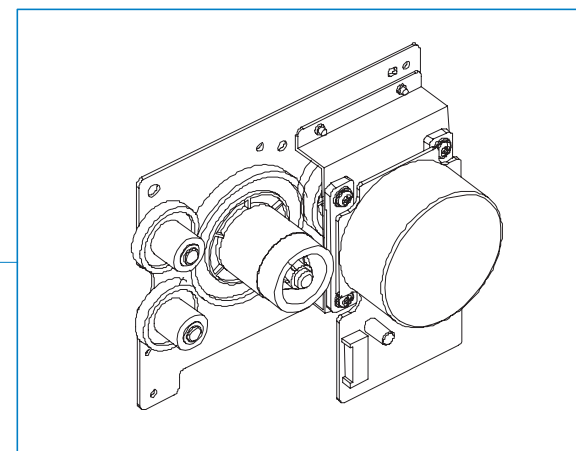
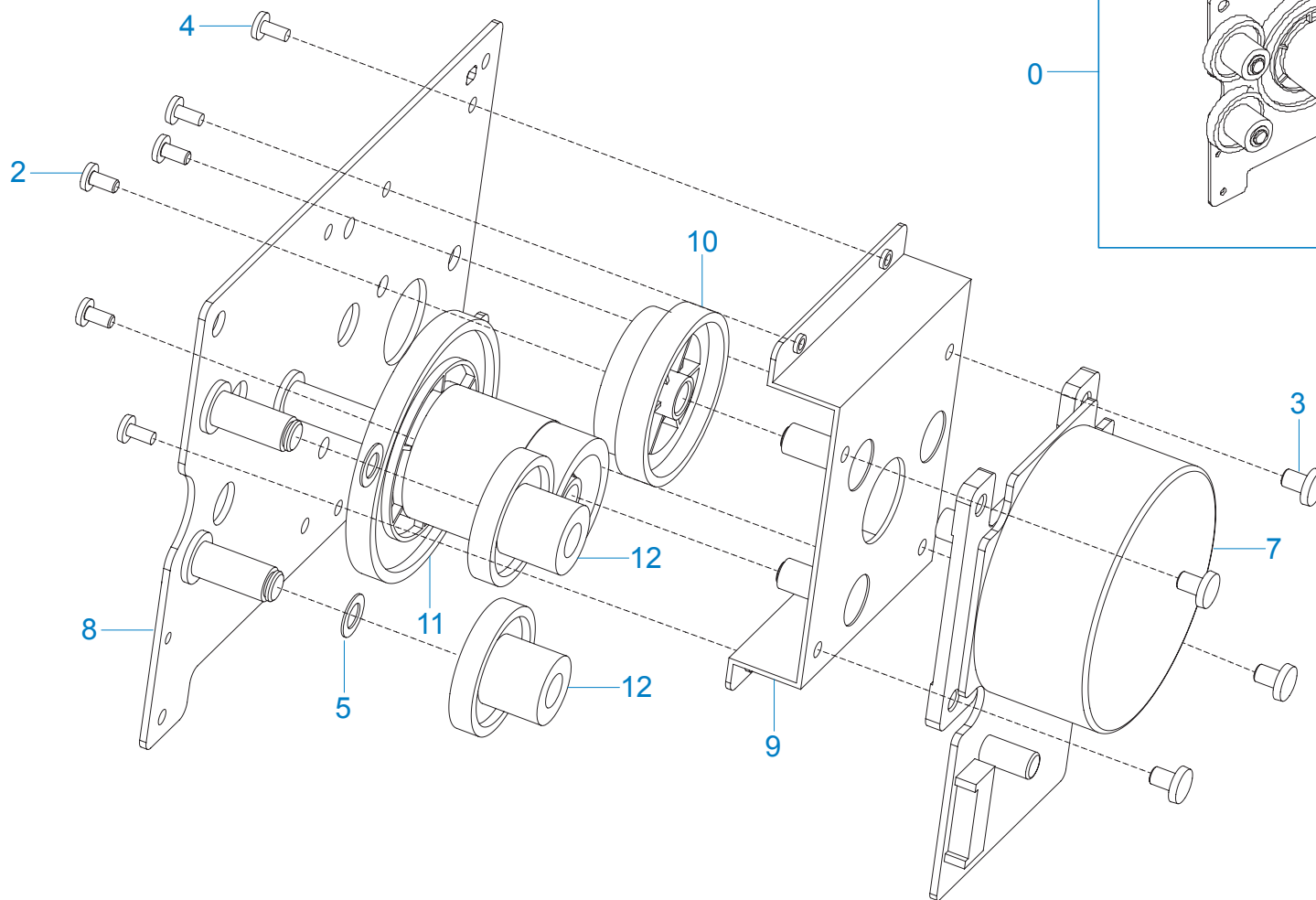
Ver. 1.00

SA : SERVICE AVAILABLE, SNA : SERVICE not AVAILABLE

Drawer#	SEC_Code	Description	QT'y	Service	Grade	Remark
0	JC96-05372B	ELA HOU-OPE	1	SNA	A	
1	6003-000196	SCREW-TAPTITE	8	SA	A	
2	6003-000269	SCREW-TAPTITE	4	SA	B	
3	6502-000132	CABLE CLAMP	1	SA	A	
4	JC07-00011A	LCD	1	SA	A	
5	JC39-01043A	HARNESS-OPE HUB	1	SA	B	
6	JC63-01784A	SHEET-LCD	1	SA	D	
7	JC92-02045D	PBA-OPE	1	SA	A	
8	JC96-05373B	ELA HOU-OPE COVER	1	SNA	A	
8-1	6003-000196	SCREW-TAPTITE	11	SA	A	
8-2	JC39-00874A	HARNESS-OPE_KEY	1	SA	A	
8-3	JC39-00875A	HARNESS-OPE_KEY_SUB	1	SA	A	
8-4	JC64-00438A	KEY INTERRUPT	1	SA	B	
8-5	JC63-02043A	COVER-OPE	1	SNA	B	

Drawer#	SEC_Code	Description	QT'y	Service	Grade	Remark
8-6	JC64-00436A	KEY-JOB STATUS	1	SNA	B	
8-7	JC64-00437A	KEY-NUMERICAL	1	SNA	B	
8-8	JC64-00335A	KEY-POWER	1	SA	D	
8-9	JC64-00289A	KEY-STOP	1	SA	B	
8-10	JC64-00290A	KEY-START	1	SA	B	
8-11	JC67-00333A	LENS-STATUS	1	SNA	B	
8-12	JC73-00287A	RUBBER-START	1	SA	D	
8-13	JC73-00288A	RUBBER-JOB STATUS	1	SA	D	
8-14	JC92-02072A	PBA-OPE_KEY	1	SA	B	
8-15	JC92-02073A	PBA-OPE_KEY_SUB	1	SA	B	
9	JC97-03138A	MEA UNIT-PLATE LCD	1	SNA	A	
10	JC97-03486A	MEA UNIT-PLATE OPE	1	SNA	A	
11	JC61-02820A	HOLDER-OPE	1	SNA	D	

19. ELA UNIT-MAIN DRIVE



ELA UNIT-MAIN DRIVE Parts List

Ver. 1.00

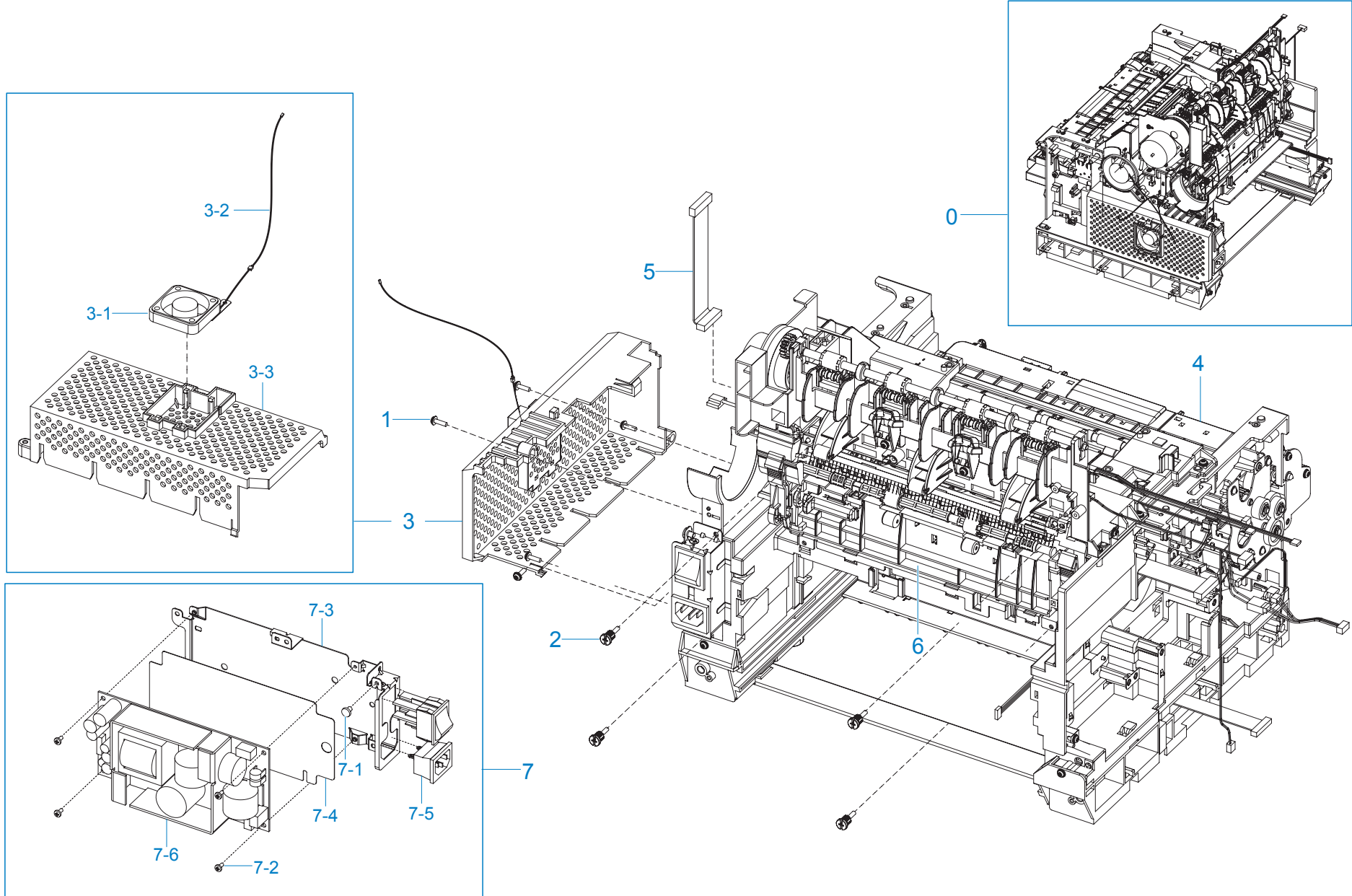
SA : SERVICE AVAILABLE, SNA : SERVICE not AVAILABLE

Drawer#	SEC_Code	Description	QT'y	Service	Grade	Remark
0	JC96-03761B	ELA UNIT-MAIN DRIVE	1	SA	A	
2	6001-000130	SCREW-MACHINE	3	SA	A	
3	6003-000301	SCREW-TAPTITE	4	SNA	B	
4	6003-000269	SCREW-TAPTITE	4	SA	B	
5	6031-000023	WASHER-PLAIN	2	SA	A	
6	6302-001056	GASKET	0.4	SNA	A	
7	JC31-00101A	MOTOR BLDC	1	SA	A	

Drawer#	SEC_Code	Description	QT'y	Service	Grade	Remark
8	JC61-01593A	BRACKET-P-GEAR MAIN	1	SNA	A	
9	JC61-01597A	BRACKET-P-MOTOR MAIN	1	SNA	A	
10	JC66-01156A	GEAR-OPC RDCN 93/61	1	SNA	A	
11	JC66-01157A	GEAR-OPC DRV 113/33	1	SNA	A	
12	JC66-01162A	GEAR-FEED RDCN 55/18	2	SNA	A	

20. ELA HOU-FRAME

Ver. 1.00



ELA HOU-FRAME Parts List

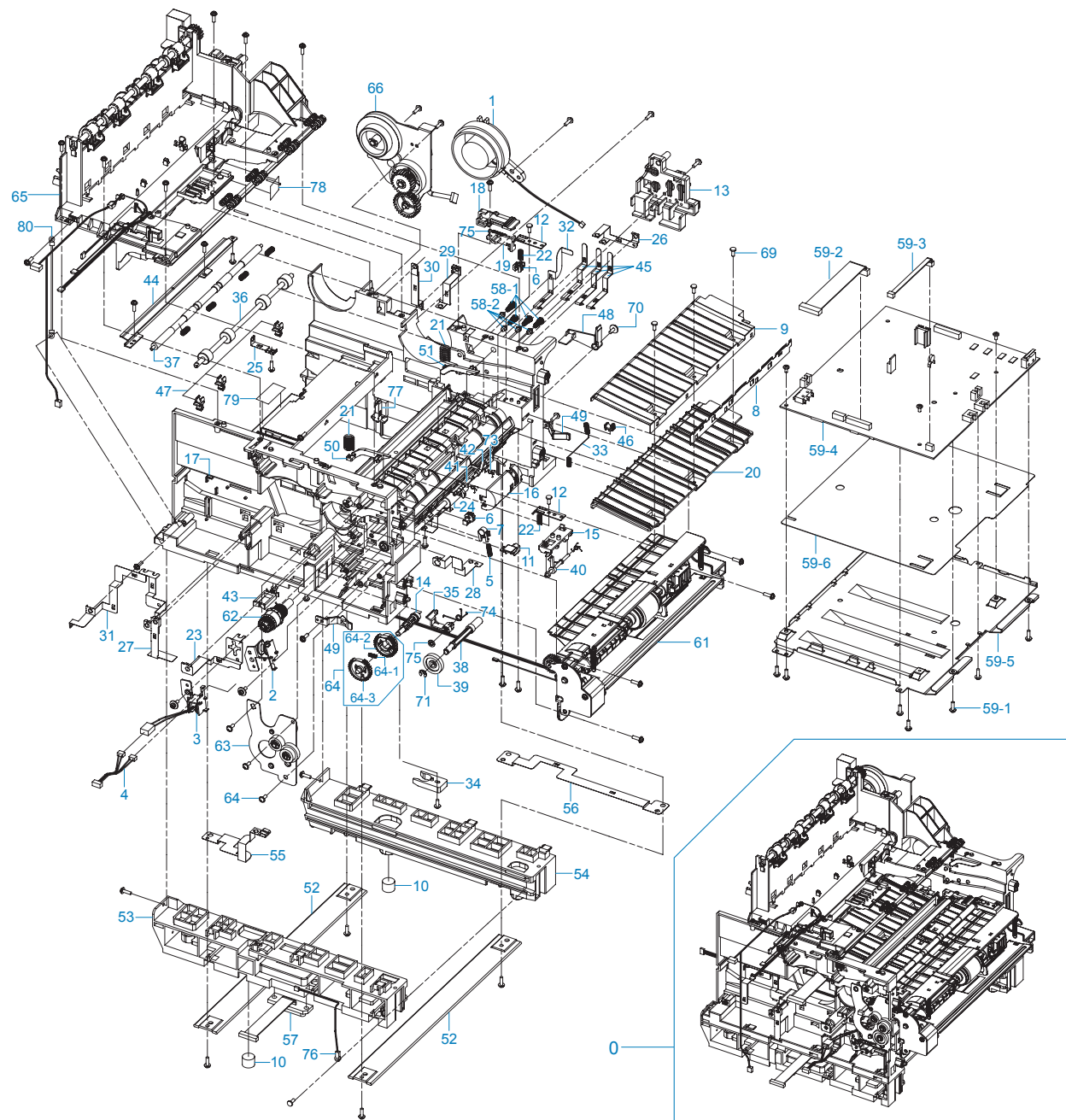
Ver. 1.00

SA : SERVICE AVAILABLE, SNA : SERVICE not AVAILABLE

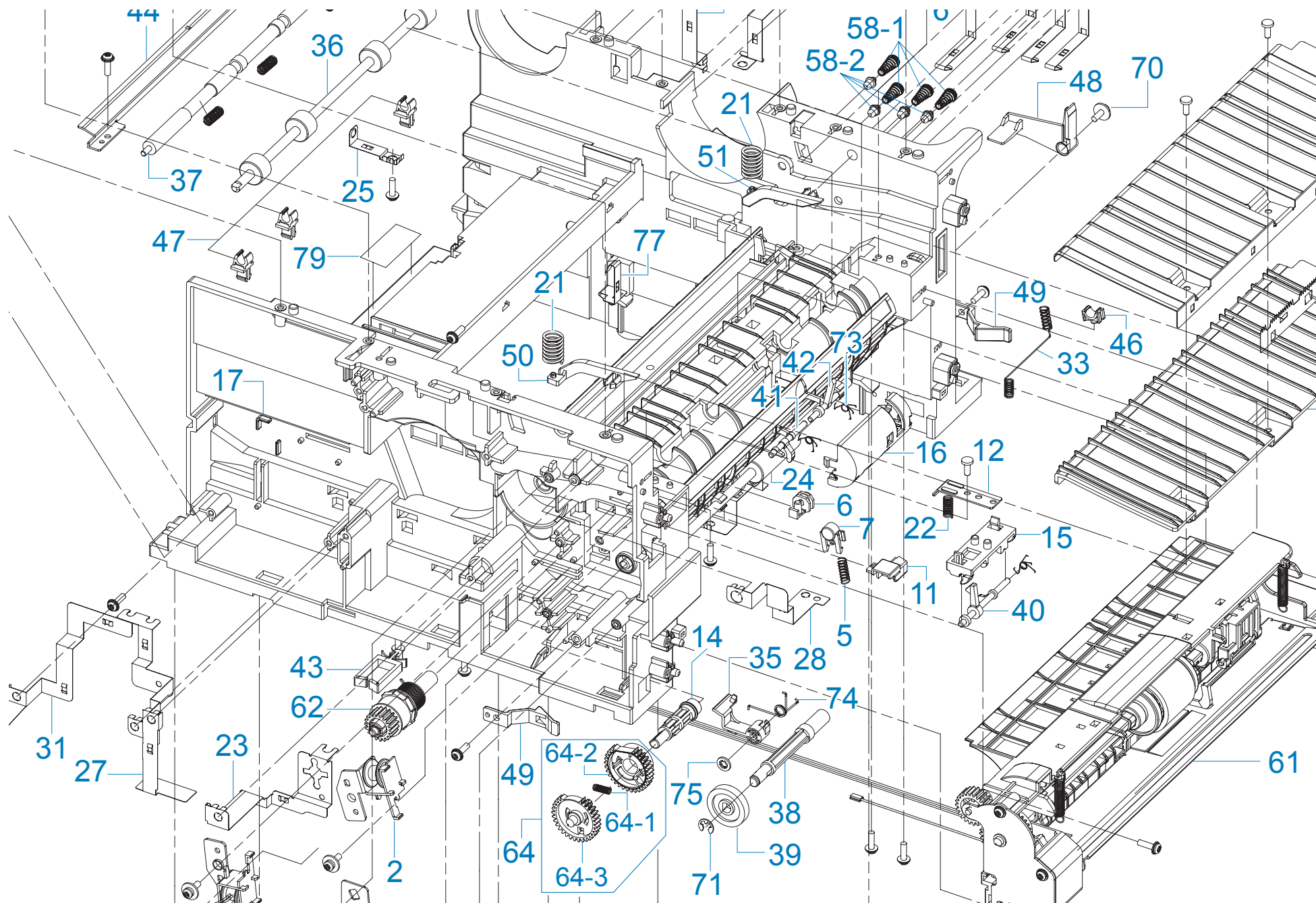
Drawer#	SEC_Code	Description	QT'y	Service	Grade	Remark
0	JC96-04916D	ELA HOU-FRAME	1	SNA	B	
1	6003-000196	SCREW-TAPTITE	5	SA	A	
2	JC64-00224B	HANDLE-M-FUSER_DURAND	4	SA	A	
3	JC96-05152A	ELA HOU-COVER SMPS	1	SNA	A	
3-1	JC31-00108A	FAN	1	SA	A	
3-2	JC39-00911A	HARNESS-SMPS_FAN	1	SA	B	
3-3	JC63-01740A	COVER-SMPS	1	SA	D	
4	JC96-04925B	ELA HOU-FRAME ETC	1	SNA	A	
5	JC39-00862A	HARNESS-SMPS	1	SA	A	
6	JC96-05063A	ELA UNIT-FUSER	1	SA	B	110V

Drawer#	SEC_Code	Description	QT'y	Service	Grade	Remark
6	JC96-05064A	ELA UNIT-FUSER	1	SA	B	220V
7	JC96-05146A	ELA HOU-SMPS	1	SA	A	110V
7	JC96-05147A	ELA HOU-SMPS	1	SA	A	220V
7-1	6003-000301	SCREW-TAPTITE	1	SNA	B	
7-2	6003-000269	SCREW-TAPTITE	4	SA	B	
7-3	JC63-00913A	SHIELD-P-SMPS	1	SNA	A	
7-4	JC63-00960A	SHEET-INSULATOR_SMPS	1	SNA	A	
7-5	JC39-00523A	CBF HARNESS-AC INLET	1	SA	A	
7-6	JC44-00097C	SMPS-V1	1	SA	A	110V
7-6	JC44-00090C	SMPS-V2C	1	SA	A	220V

21. ELA HOU-FRAME ETC



ELA HOU-FRAME ETC (Enlargement)



ELA HOU-FRAME ETC Parts List

Ver. 1.00

SA : SERVICE AVAILABLE, SNA : SERVICE not AVAILABLE

Drawer#	SEC_Code	Description	QT'y	Service	Grade	Remark
0	JC96-04925B	ELA HOU-FRAME ETC	1	SNA	A	
1	JC31-00107A	FAN-DC	1	SA	A	
2	JC33-00025B	SOLENOID-MANUAL	1	SA	A	
3	JC33-00027B	SOLENOID-FEED	1	SA	A	
4	JC39-00880A	HARNESS-SOLENOID	1	SA	A	
5	6107-001370	SPRING CS	1	SA	B	
6	JC61-00585A	BUSH-M-FEED IDLE	2	SA	B	
7	JC61-00588A	BUSH-M-TR L	1	SNA	D	
8	JC61-00604B	PLATE-E_SAW	1	SA	A	
9	JC61-01943A	GUIDE-TR	1	SNA	A	
10	JC61-00835A	FOOT-BACK	2	SA	A	
11	JC61-00907A	HOLDER-M-PTL R2	1	SA	D	
12	JC61-00914A	PLATE-P-PUSH BUSHING	2	SA	A	
13	JC61-01584A	HOUSING-M_TERMINAL	1	SNA	A	
14	JC61-01602A	HOLDER-M_PICK UP	1	SNA	A	
15	JC61-01618A	HOLDER-M_ACT FEED	1	SNA	A	
16	JC61-01619A	HOLDER-M_ACT REGI	1	SNA	A	
17	JC61-01620A	FRAME-M_BASE	1	SNA	A	
18	JC61-01622A	HOLDER-TR	1	SNA	A	
19	JC61-01623A	GUIDE-M HOLDER TR	1	SNA	A	
20	JC61-01942A	GUIDE-TR RIB	1	SNA	A	
21	JC61-70932A	SPRING ETC-GUIDE DEVE	2	SA	A	
22	JC61-70958A	SPRING ETC-TR	2	SA	A	
23	JC63-00917A	GROUND-P-DRIVE	1	SNA	A	
24	JC63-00918A	GROUND-P-EARTH TR	1	SNA	A	
25	JC63-00920A	GROUND-P-FUSER	1	SNA	A	
26	JC63-00921A	GROUND-P-GUIDE TR	1	SNA	A	
27	JC63-00922A	GROUND-P-DRIVE2	1	SNA	A	
28	JC63-00923A	GROUND-P-PUSH BUSHING	1	SNA	A	
29	JC63-00924A	GROUND-P-SHIELD SMPS	1	SNA	A	
30	JC63-00925A	GROUND-P-MOTOR FUSER	1	SNA	A	

Drawer#	SEC_Code	Description	QT'y	Service	Grade	Remark
31	JC63-00926A	GROUND-P-SHIELD	1	SNA	A	
32	JC65-00014A	TERMINAL-P-HV CR	1	SNA	D	
33	JC65-00018A	TERMINAL-TR	1	SNA	A	
34	JC66-00050A	CAM-CATCH	1	SA	A	
35	JC66-00377A	CAM-M-PICK_UP	1	SA	A	
36	JC66-00526A	ROLLER-FEED ROLLER 1	1	SA	D	
37	JC66-00527A	SHAFT-FEED IDLE	1	SA	B	
38	JC66-01160A	SHAFT-M_FEED2	1	SA	A	
39	JC66-01165A	GEAR-FEED2 Z27	1	SA	D	
40	JC66-01189A	LEVER-M_ACTUATOR FEED	1	SA	A	
41	JC66-01190A	LEVER-M_ACT DUP OUT	1	SA	A	
42	JC66-01191A	LEVER-M_ACTUATOR REGI	1	SA	A	
43	6502-001093	CABLE CLAMP	1	SA	B	
44	JC70-00307A	IPR-P-EARTH TRANSFER	1	SA	D	
45	JC70-00312A	IPR-P-TERMINAL CON	3	SA	D	
46	JC72-00102A	PMO-BUSHING_TR(L)	1	SA	B	
47	JC72-00382B	PMO-BUSHING FEED	3	SA	D	
48	JC72-00974A	PMO-ACTUATOR CVR OPEN	1	SA	D	
49	JC72-00983A	PMO-LOCKER CST	2	SA	D	
50	JC72-00984A	PMO-PLATE GUIDE DEVE_L	1	SA	D	
51	JC72-00985A	PMO-PLATE GUIDE DEVE_R	1	SA	D	
52	JC71-00042A	BAR-P_CROSS BOTTOM	2	SA	D	
53	JC61-02430A	FRAME-BASE SUB-L	1	SNA	B	
54	JC61-02431A	FRAME-BASE SUB-R	1	SNA	B	
55	JC63-01701A	GROUND-SUB BASE	1	SNA	B	
56	JC63-01700A	GROUND-BAR LINK	1	SNA	B	
57	JC39-00879A	HARNESS-SCF_MAIN	1	SA	A	
58	JC75-00049A	MEC-TERMINAL	4	SA	B	
58-1	JC61-00035A	SPRING ETC-HV APOLLO	1	SNA	B	
58-2	JC70-00050A	IPR-TERMINAL	1	SNA	D	
59	JC96-04879A	ELA HOU-HVPS	1	SNA	A	

ELA HOU-FRAME ETC Parts List

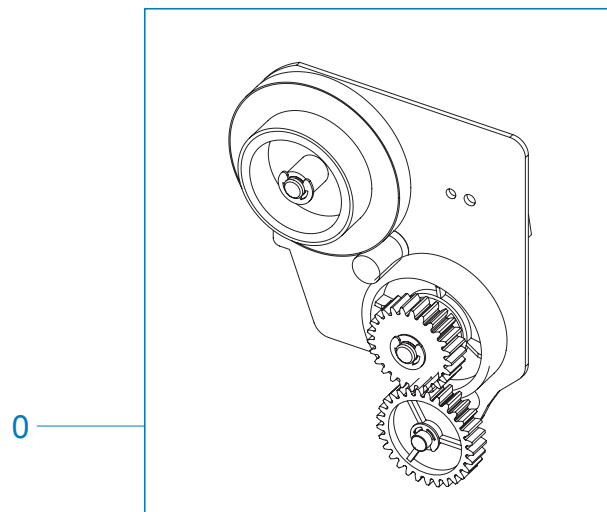
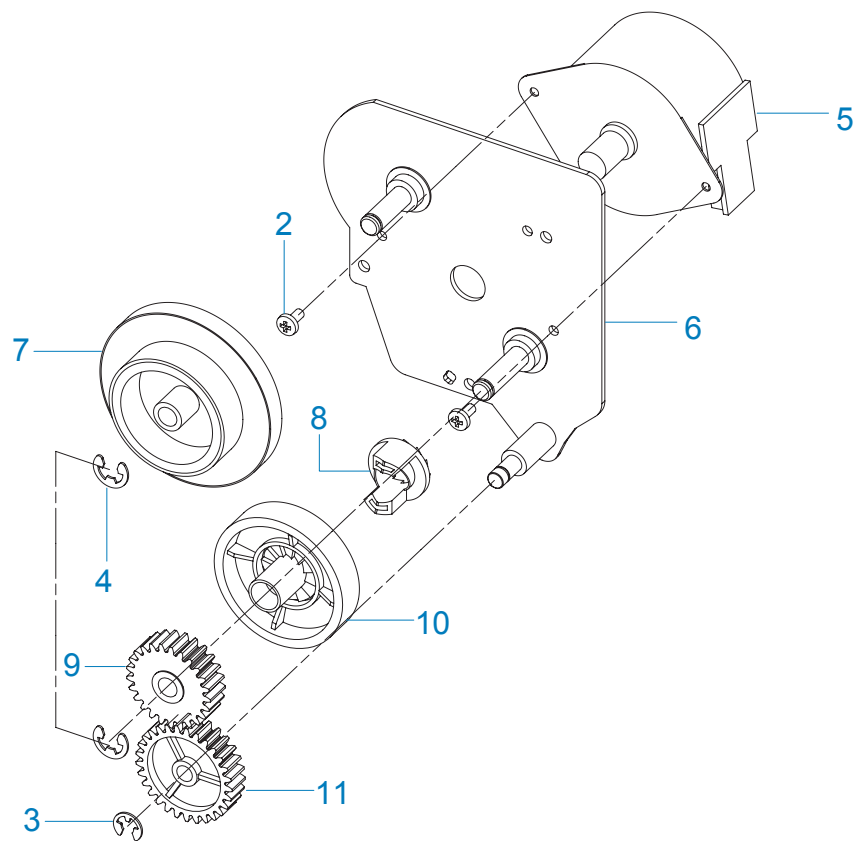
Ver. 1.00

SA : SERVICE AVAILABLE, SNA : SERVICE not AVAILABLE

Drawer#	SEC_Code	Description	QT'y	Service	Grade	Remark
59-1	6003-000269	SCREW-TAPTITE	3	SA	B	
59-2	JC39-00861A	HARNESS-HVPS	1	SA	A	
59-3	JC39-00528A	CBF HARNESS-PAPER EMP	1	SA	B	
59-4	JC44-00162A	HVPS	1	SA	A	
59-5	JC63-00914A	SHIELD-P-HVPS	1	SNA	A	
59-6	JC63-00961A	SHEET-INSULATOR_HVPS	1	SNA	A	
60	JC96-04877B	ELA HOU-GUIDE DUP F	1	SA	A	
61	JC96-04880A	ELA HOU-MPF	1	SA	A	
62	JC97-01788A	MEA UNIT-CLUTCH	1	SA	A	
63	JC97-02394A	MEA UNIT-BRACKET FEED	1	SA	A	
64	JC97-02648A	MEA UNIT-GEAR PICK UP	1	SA	A	
64-1	6107-001167	SPRING-CS	1	SA	A	
64-2	JC66-01183A	GEAR-PICK UP_INNER	1	SNA	B	
64-3	JC66-01184A	GEAR-PICK UP_OUTER	1	SNA	B	
65	JC96-04923A	ELA HOU-FRAME EXIT	1	SNA	B	
66	JC96-04876A	ELA HOU-FUSER DRIVE	1	SA	A	

Drawer#	SEC_Code	Description	QT'y	Service	Grade	Remark
67	6002-000440	SCREW-TAPPING	4	SA	B	
68	6003-000196	SCREW-TAPTITE	40	SA	A	
69	6003-000282	SCREW-TAPTITE	6	SA	B	
70	6006-001078	SCREW-TAPTITE	3	SNA	A	
71	6044-000001	RING-CS	1	SNA	A	
72	6044-000125	RING-E	1	SA	A	
73	6107-001164	SPRING-TS	3	SA	B	
74	6107-001352	SPRING-TS	1	SA	D	
75	6107-001498	SPRING-ES	1	SA	A	
76	1404-001417	THERMISTOR-NTC ASSY	1	SA	A	
77	JC63-01960A	GROUND-PR_FRAME	1	SNA	B	
78	JC68-00317A	LABEL(R)-HOT CAUTION,KME	1	SNA	A	
79	JC68-30928E	LABEL(P)-CAUTION, HOT_FU	1	SNA	A	
80	JC39-00322A	CBF HARNESS-SCAN GND	1	SNA	A	
A	0201-001183	ADHESIVE-AA	0.025g	SNA	B	

22. ELA HOU-FUSER DRIVE



ELA HOU-FUSER DRIVE Parts List

Ver. 1.00

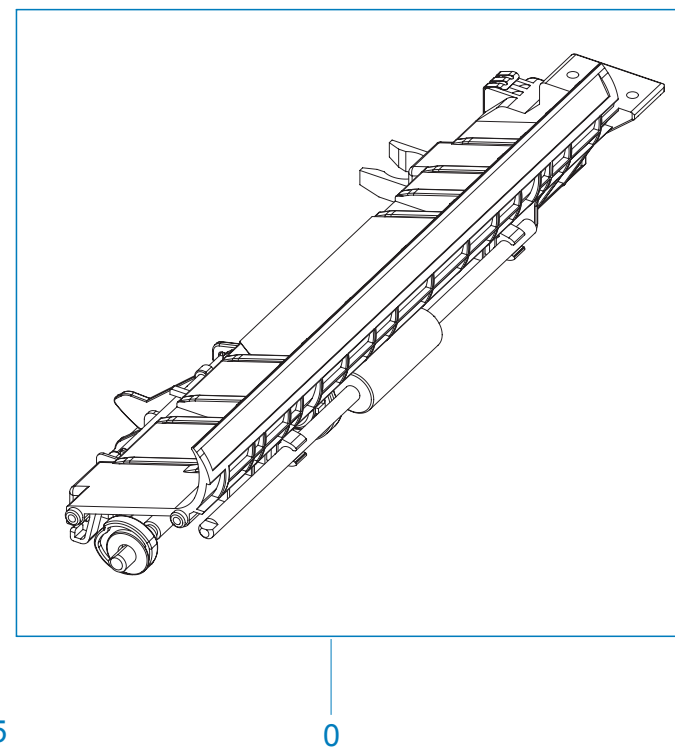
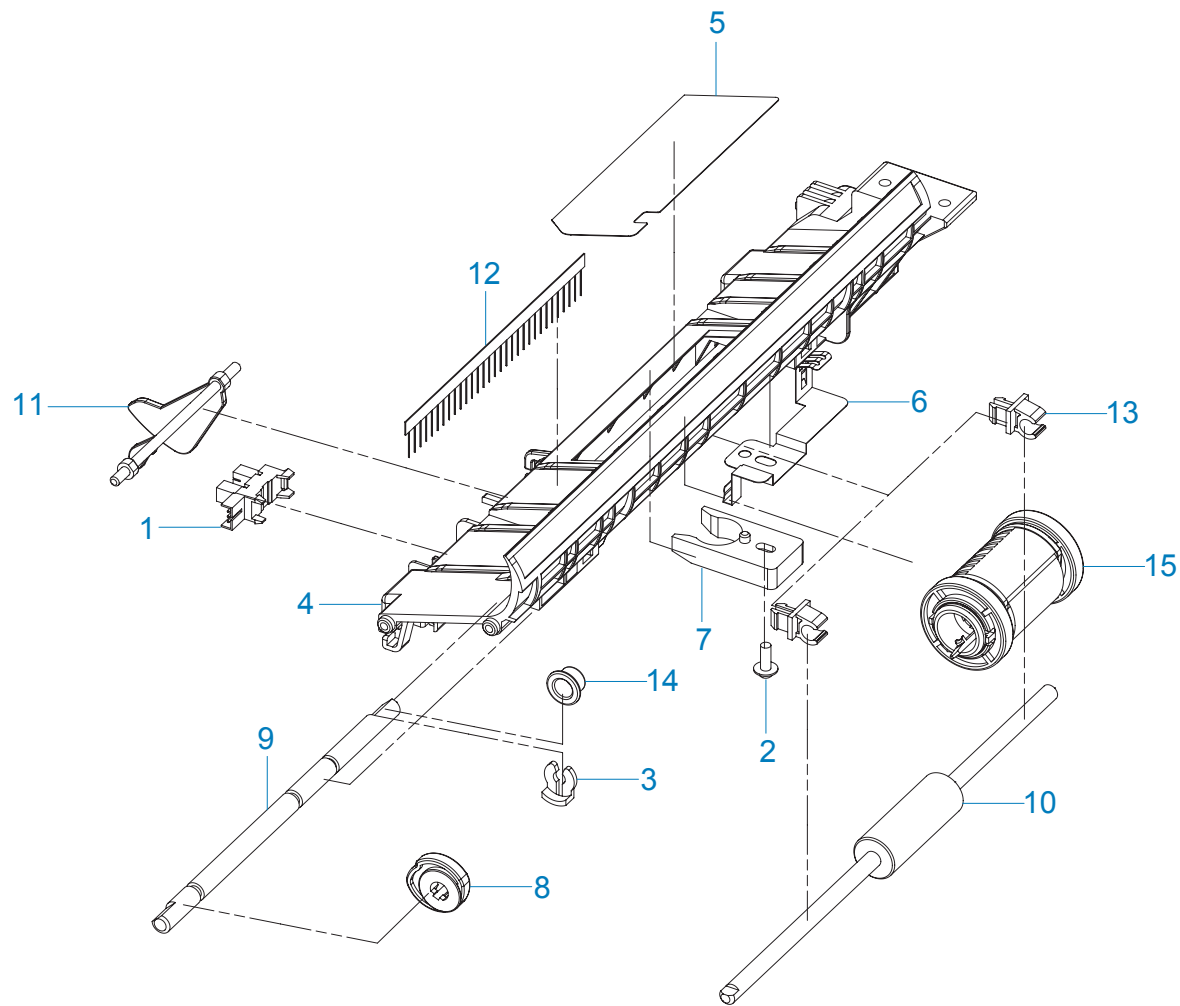
SA : SERVICE AVAILABLE, SNA : SERVICE not AVAILABLE

Drawer#	SEC_Code	Description	QT'y	Service	Grade	Remark
0	JC96-04876A	ELA HOU-FUSER DRIVE	1	SA	A	
2	6003-000269	SCREW-TAPTITE	2	SA	B	
3	6044-000125	RING-E	1	SA	A	
4	6044-000231	RING-E	2	SA	A	
5	JC31-00084A	MOTOR STEP-MAIN	1	SA	A	
6	JC61-02445A	BRACKET-FUSER EXIT	1	SNA	B	

Drawer#	SEC_Code	Description	QT'y	Service	Grade	Remark
7	JC66-01819A	GEAR-EXIT RDCN	1	SNA	B	
8	JC66-00340A	GEAR-HUB CLUTCH	1	SA	B	
9	JC66-00417A	GEAR-RDCN FUSER OUT	1	SA	A	
10	JC66-01163A	GEAR-FUSER RDCN IN 95	1	SNA	A	
11	JC66-01210A	GEAR-FUSER IDLE FR	1	SA	B	

23. ELA HOU-GUIDE DUP

Ver. 1.00



ELA HOU-GUIDE DUP Parts List

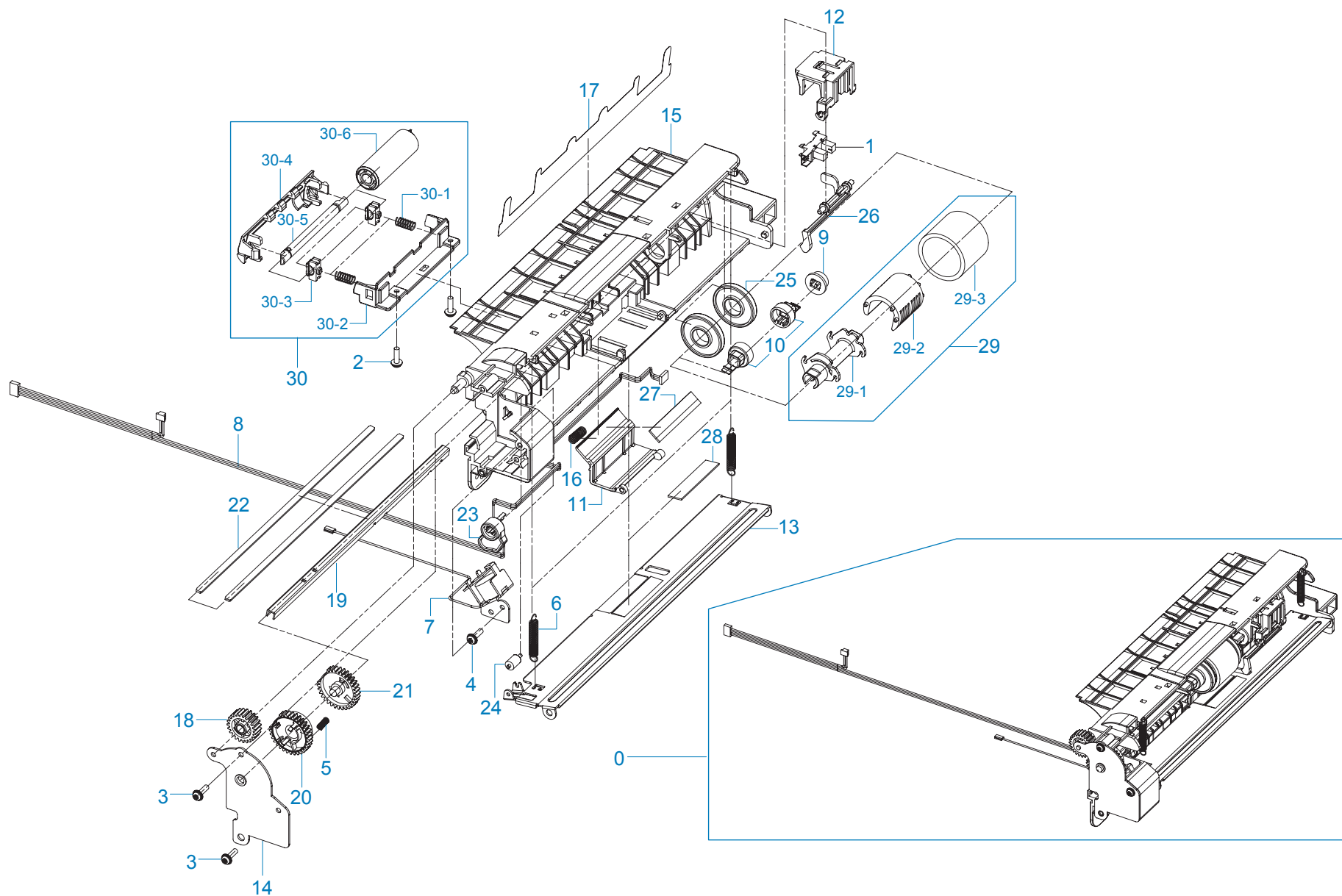
Ver. 1.00

SA : SERVICE AVAILABLE, SNA : SERVICE not AVAILABLE

Drawer#	SEC_Code	Description	QT'y	Service	Grade	Remark
0	JC96-04877B	ELA HOU-GUIDE DUP F	1	SA	A	
1	0604-001095	PHOTO-INTERRUPTER	1	SA	A	
2	6002-000440	SCREW-TAPPING	1	SA	B	
3	JC61-01367A	FIXER-M_E RING 4PI	1	SA	A	
4	JC61-01600A	GUIDE-M_FRONT DUPLEX	1	SNA	A	
5	JC63-00992A	SHEET-GUIDE FRONT DU	1	SNA	A	
6	JC63-01153A	GROUND-P_BRUSH	1	SNA	A	
7	JC66-00050A	CAM-CATCH	1	SA	A	

Drawer#	SEC_Code	Description	QT'y	Service	Grade	Remark
8	JC66-01581A	CAM-SHAFT PICK UP	1	SNA	A	
9	JC66-01171A	SHAFT-PICK UP	1	SNA	D	
10	JC66-01173A	ROLLER-FEED	1	SA	A	
11	JC66-01820A	ACTUATOR-PAPER EMPTY	1	SNA	D	
12	JC67-00208A	BRUSH-ANTISTATIC	1	SA	D	
13	JC72-00382B	PMO-BUSHING FEED	2	SA	D	
14	JC72-41364A	PMO-BUSHING_P/U,MP	1	SA	D	
15	JC97-02441C	MEA-ROLLER PICK UP	1	SA	A	

24. ELA HOU-MPF



ELA HOU-MPF Parts List

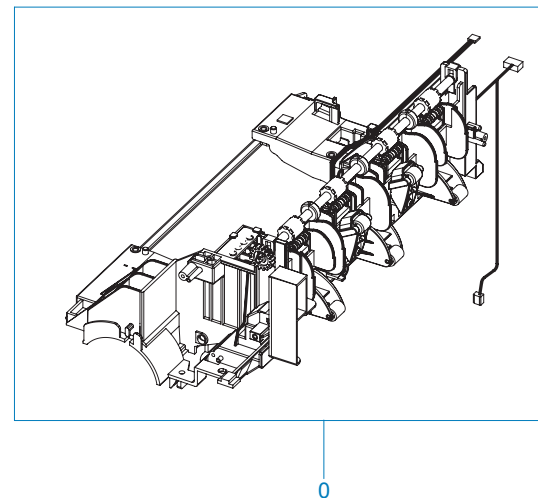
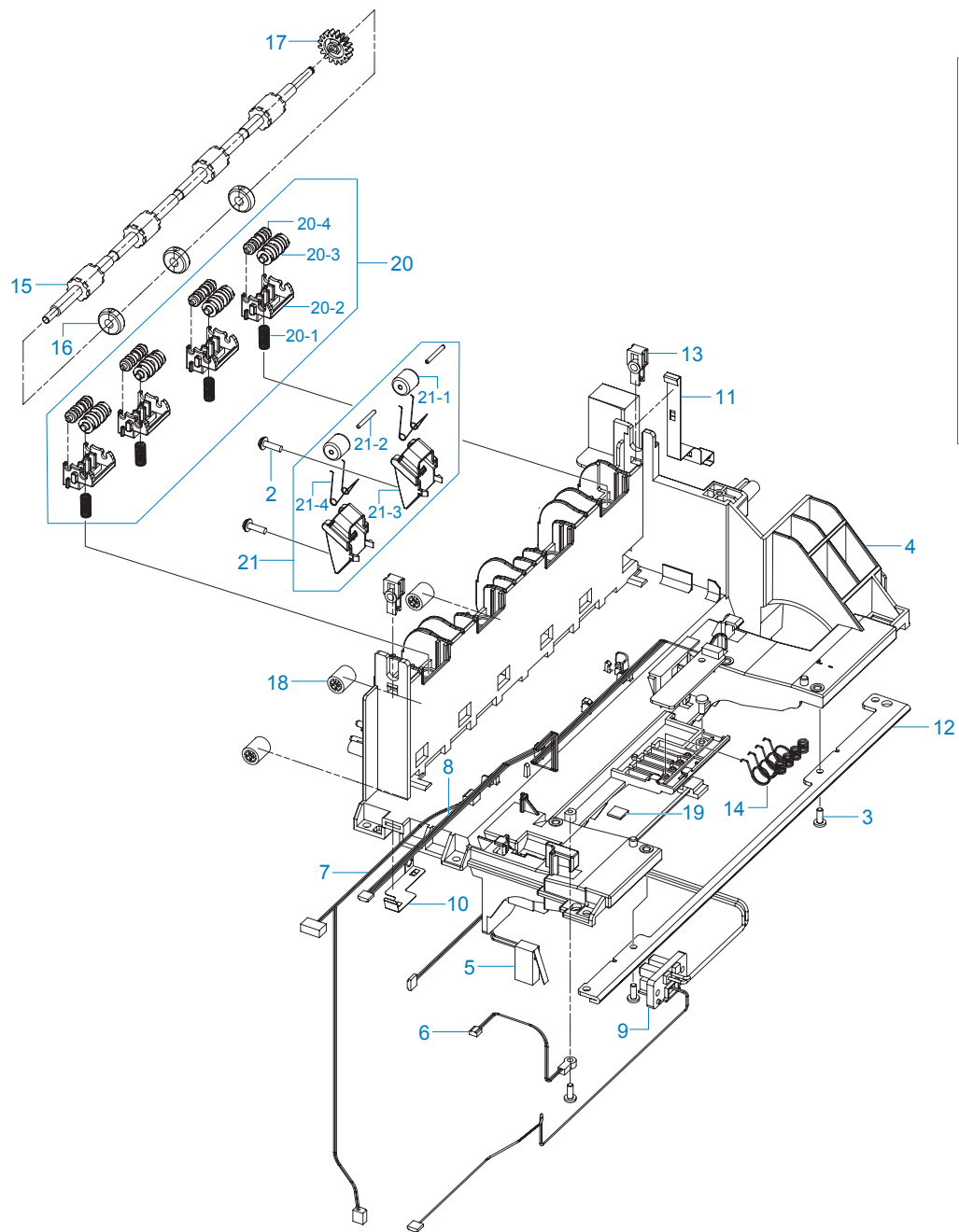
Ver. 1.00

SA : SERVICE AVAILABLE, SNA : SERVICE not AVAILABLE

Drawer#	SEC_Code	Description	QT'y	Service	Grade	Remark
0	JC96-04880A	ELA HOU-MPF	1	SA	A	
1	0604-001095	PHOTO-INTERRUPTER	1	SA	A	
2	6003-000196	SCREW-TAPTITE	2	SA	A	
3	6003-000196	SCREW-TAPTITE	2	SA	A	
4	6003-000196	SCREW-TAPTITE	1	SA	A	
5	6107-001167	SPRING-CS	1	SA	A	
6	6107-001237	SPRING-ES	2	SA	A	
7	JC33-00028B	SOLENOID-MP	1	SA	A	
8	JC39-00873A	HARNESS-MP	1	SA	A	
9	JC61-00587A	BUSH-M-PICK_UP R	1	SA	A	
10	JC61-00915A	STOPPER-M-PICK UP_R2	2	SA	A	
11	JC61-00924A	HOLDER-M-PAD_MP	1	SA	A	
12	JC61-00926A	HOLDER-M-SENSOR_MP	1	SA	A	
13	JC61-00927A	PLATE-P-KNOCK UP_MP	1	SNA	D	
14	JC61-00932A	BRACKET-P-PICKUP_MP	1	SNA	A	
15	JC61-01603A	FRAME-M_MP	1	SNA	A	
16	JC61-70911A	SPRING ETC-EXIT ROLL FD	1	SA	A	
17	JC63-01936A	SHEET-GUIDE MP	1	SNA	B	
18	JC66-00396A	GEAR-IDLE 23	1	SA	A	
19	JC66-00399A	SHAFT-P-PICK_UP	1	SA	A	

Drawer#	SEC_Code	Description	QT'y	Service	Grade	Remark
20	JC66-00709A	GEAR-M-HOLDER_MP	1	SA	D	
21	JC66-00710A	GEAR-M-PICK UP_MP	1	SA	D	
22	JC66-00720A	SHAFT-P-CORE	2	SA	B	
23	JC66-01205A	CAM-M_PICK UP MP	1	SA	A	
24	JC72-00761A	PMO-ROLLER CAM.MP	1	SA	B	
25	JC72-00982A	PMO-IDLE PICK_UP	2	SA	D	
26	JC72-01338A	PMO-M-ACT EMPTY MP	1	SA	D	
27	JC73-00140A	RPR-FRICTION PAD	1	SA	B	
28	JC73-00141A	RPR-PAD CASSETTE	1	SA	B	
29	JC97-02034A	MEA-PICK UP_MP	1	SA	A	
29-1	JC61-00910A	HOUSING-M-PICK UP2_R2	1	SA	D	
29-2	JC61-00925A	HOUSING-M-PICK UP2_MP	1	SA	A	
29-3	JC73-00194A	RUBBER-PICK UP MP	1	SA	B	
30	JC97-02443A	MEA-IDLE FEED	1	SA	A	
30-1	JC61-00484A	SPRING ETC-EXIT LOWER IDLE	2	SA	A	
30-2	JC61-01604A	HOLDER-M_IDLE FEED	1	SNA	A	
30-3	JC61-01605A	HOLDER-M_SHAFT IDLE	2	SNA	A	
30-4	JC63-00997A	COVER-M_IDLE FEED	1	SNA	A	
30-5	JC66-01172A	SHAFT-IDLE FEED	1	SNA	D	
30-6	JC66-01186A	ROLLER-IDLE FEED	1	SNA	A	

25. ELA_HOU_FRAME_EXIT



ELA_HOU_FRAME_EXIT Parts List

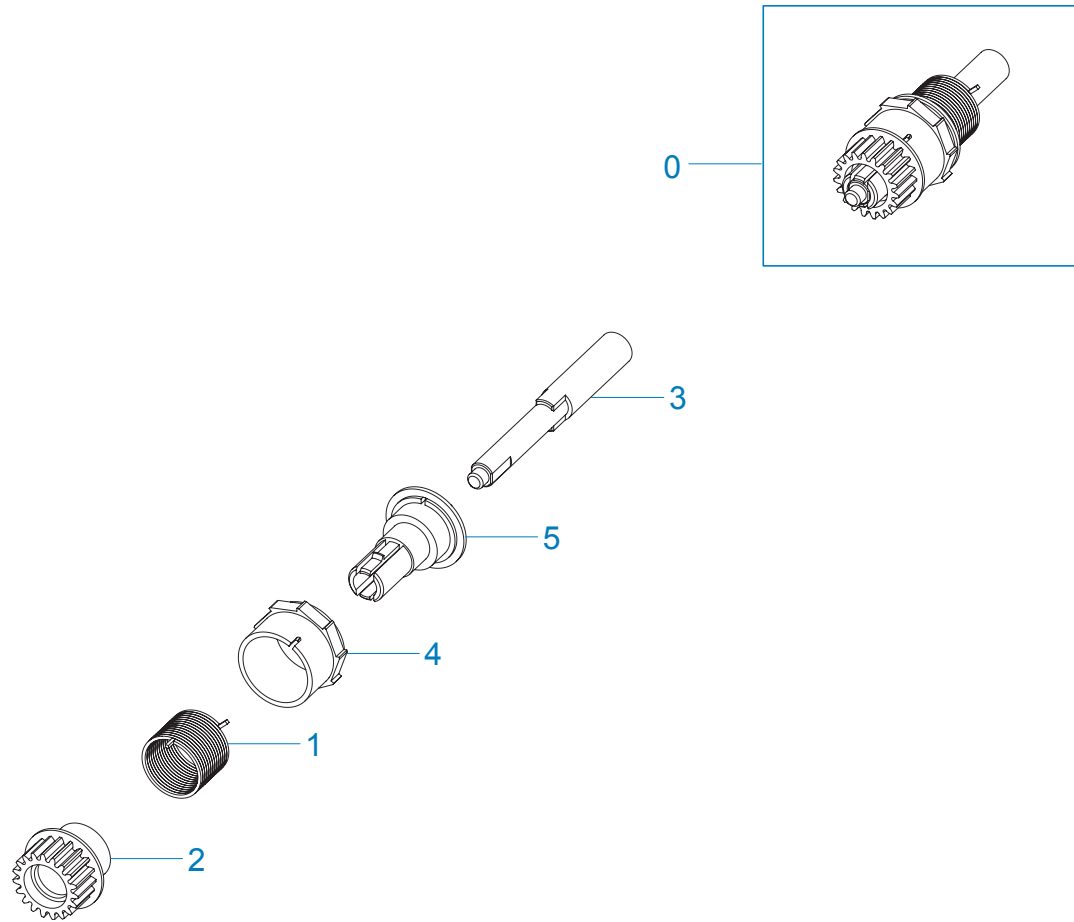
Ver. 1.00

SA : SERVICE AVAILABLE, SNA : SERVICE not AVAILABLE

Drawer#	SEC_Code	Description	QT'y	Service	Grade	Remark
0	JC96-04923A	ELA HOU-FRAME EXIT	1	SNA	B	
2	6003-000196	SCREW-TAPTITE	2	SA	A	
3	6003-000282	SCREW-TAPTITE	4	SA	B	
4	JC61-02432A	FRAME-EXIT	1	SNA	D	
5	JC39-00888A	HARNESS-LSU_SW	1	SA	A	
6	1404-001417	THERMISTOR-NTC ASSY	1	SA	A	
7	JC39-00882A	HARNESS-TEMP	1	SA	A	
8	JC92-02007A	PBA-DEVE CRUM IF	1	SA	A	
9	JC39-00886A	HARNESS-FUSER_AC	1	SA	A	
10	JC63-01322A	GROUND-FUSER BRUSH	1	SNA	A	
11	JC63-01708A	GROUND-EXIT FRAME	1	SNA	B	
12	JC61-02155A	PLATE-LSU SUPPORT	1	SNA	D	
13	JC61-00829A	HOLDER-BEARING EXIT F/DOWN	2	SA	A	
14	JC65-00019A	TERMINAL-CRUM	4	SA	A	
15	JC66-01885A	ROLLER-EXIT UPPER	1	SNA	A	

Drawer#	SEC_Code	Description	QT'y	Service	Grade	Remark
16	JC72-00833A	PMO-ROLLER DECURL	6	SA	D	
17	JC66-40209A	GEAR-EXIT	1	SA	D	
18	JC72-40981A	PMO-ROLLER UPPER DP	3	SA	B	
19	JC66-01283A	DAMPER-FRAME EXIT	1	SNA	B	
20	JC97-03126A	MEA RACK-EXIT ROLLER	4	SA	B	
20-1	JC61-70911A	SPRING ETC-EXIT ROLL FD	1	SA	A	
20-2	JC61-02440A	HOLDER-EXIT_ROLLER	1	SNA	B	
20-3	JC66-00824A	ROLLER-EXIT_MAIN	1	SA	A	
20-4	JC66-00934A	ROLLER-M_EXIT FR	1	SNA	B	
21	JC97-03135A	MEA UNIT-IDLE ROLLER	2	SNA	B	
21-1	JC72-20902A	PEX-ROLLER F/UP(2)	1	SA	D	
21-2	JC70-20901A	IEX-SHAFT IDLE,F/UP	1	SA	D	
21-3	JC61-02441A	HOLDER-IDLE ROLLER	1	SNA	B	
21-4	JC61-02461A	SPRING ETC-EXIT_IDLE	1	SNA	D	

26. MEA UNIT-CLUTCH



MEA UNIT-CLUTCH Parts List

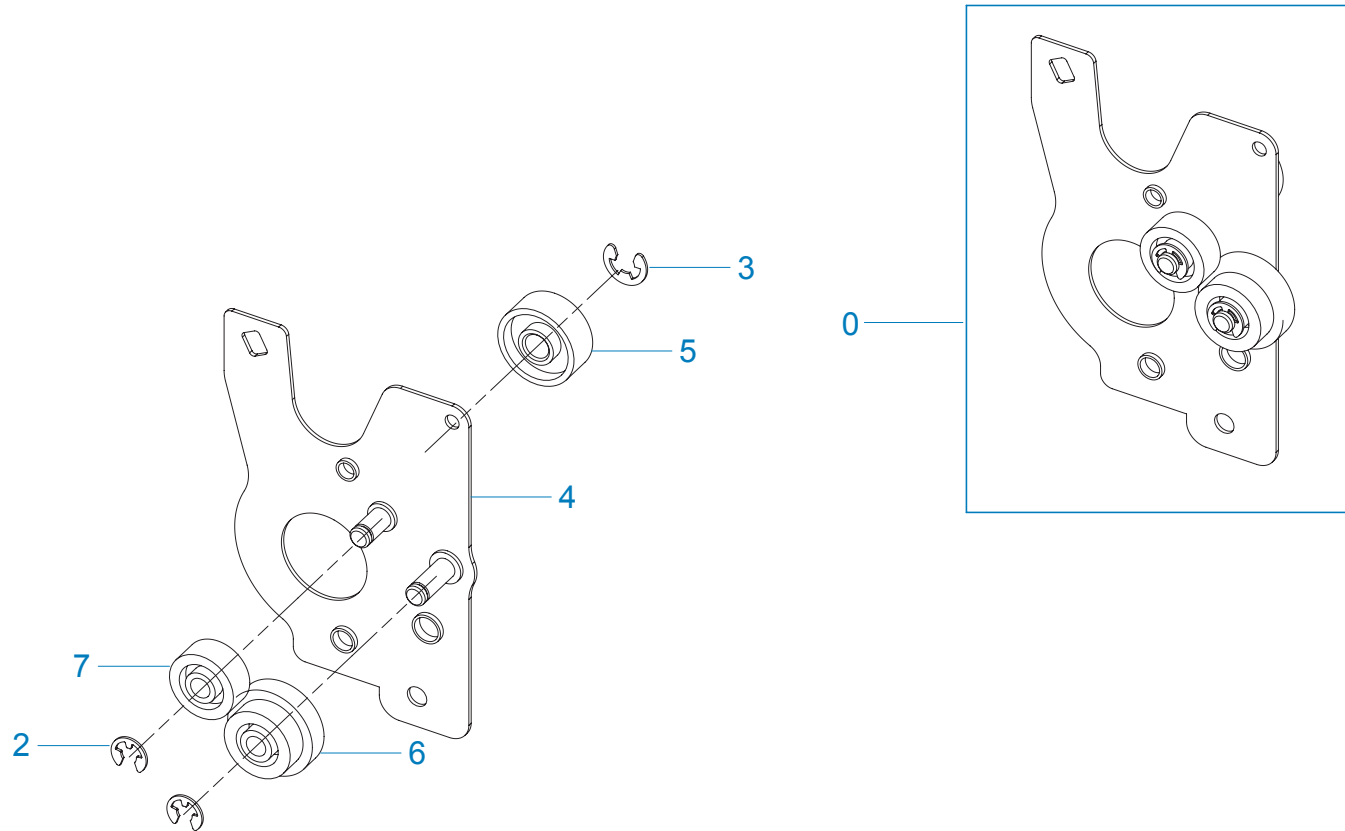
Ver. 1.00

SA : SERVICE AVAILABLE, SNA : SERVICE not AVAILABLE

Drawer#	SEC_Code	Description	QT'y	Service	Grade	Remark
0	JC97-01788A	MEA UNIT-CLUTCH	1	SA	A	
1	6107-001171	SPRING-TS	1	SA	A	
2	JC66-00393A	GEAR-FEED 1	1	SA	A	

Drawer#	SEC_Code	Description	QT'y	Service	Grade	Remark
3	JC66-00398A	SHAFT-FEED	1	SA	A	
4	JC72-00978A	PMO-COLLAR_SPRING	1	SA	D	
5	JC72-00981A	PMO-HUB CLUTCH	1	SNA	D	

27. MEA UNIT-BRACKET FEED



MEA UNIT-BRACKET FEED Parts List

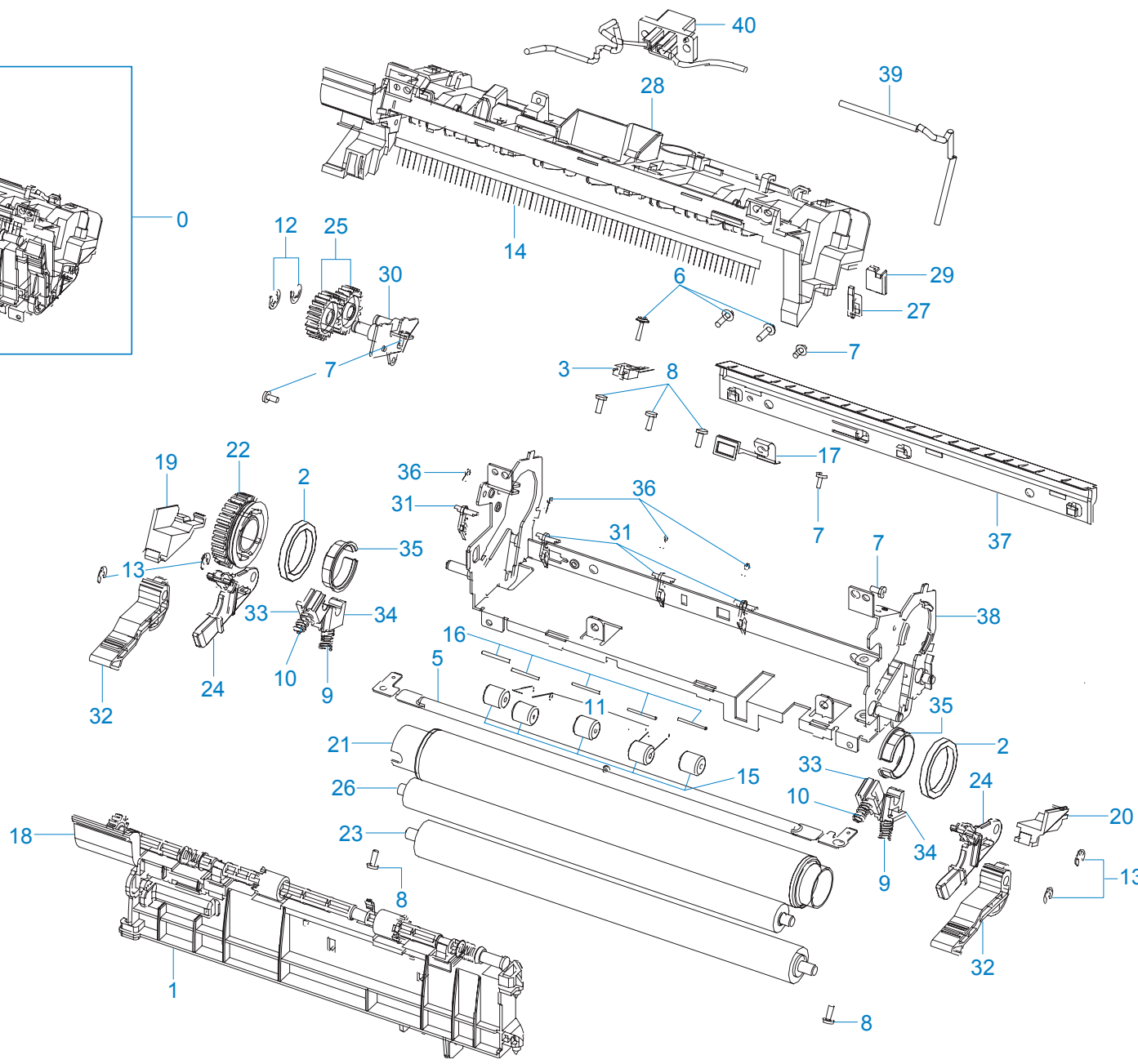
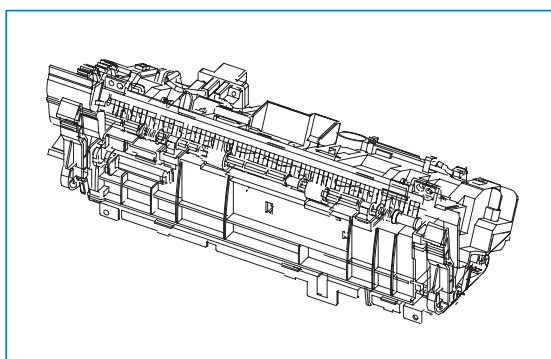
Ver. 1.00

SA : SERVICE AVAILABLE, SNA : SERVICE not AVAILABLE

Drawer#	SEC_Code	Description	QT'y	Service	Grade	Remark
0	JC97-02394A	MEA UNIT-BRACKET FEED	1	SA	A	
2	6044-000125	RING-E	2	SA	A	
3	6044-000231	RING-E	1	SA	A	
4	JC61-01582A	BRACKET-P-FEED	1	SNA	A	

Drawer#	SEC_Code	Description	QT'y	Service	Grade	Remark
5	JC66-00484A	GEAR-T2 IDEL_Z27	1	SA	A	
6	JC66-01164A	GEAR-RETARD 39/19	1	SNA	A	
7	JC66-01166A	GEAR-IDLE Z29 HELICAL	1	SNA	A	

28. ELA UNIT-FUSER



ELA UNIT-FUSER Parts List

Ver. 1.00

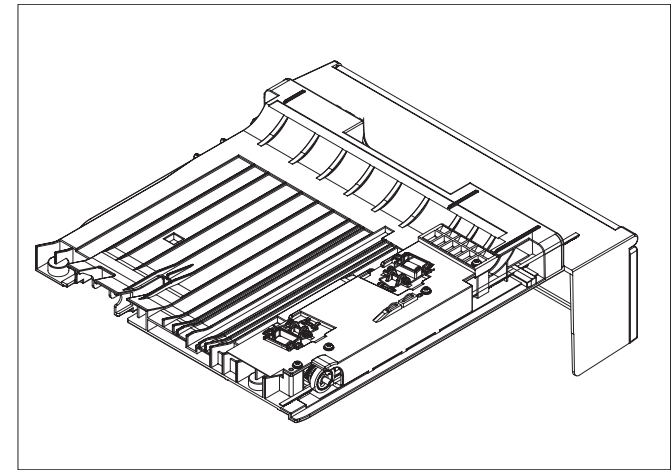
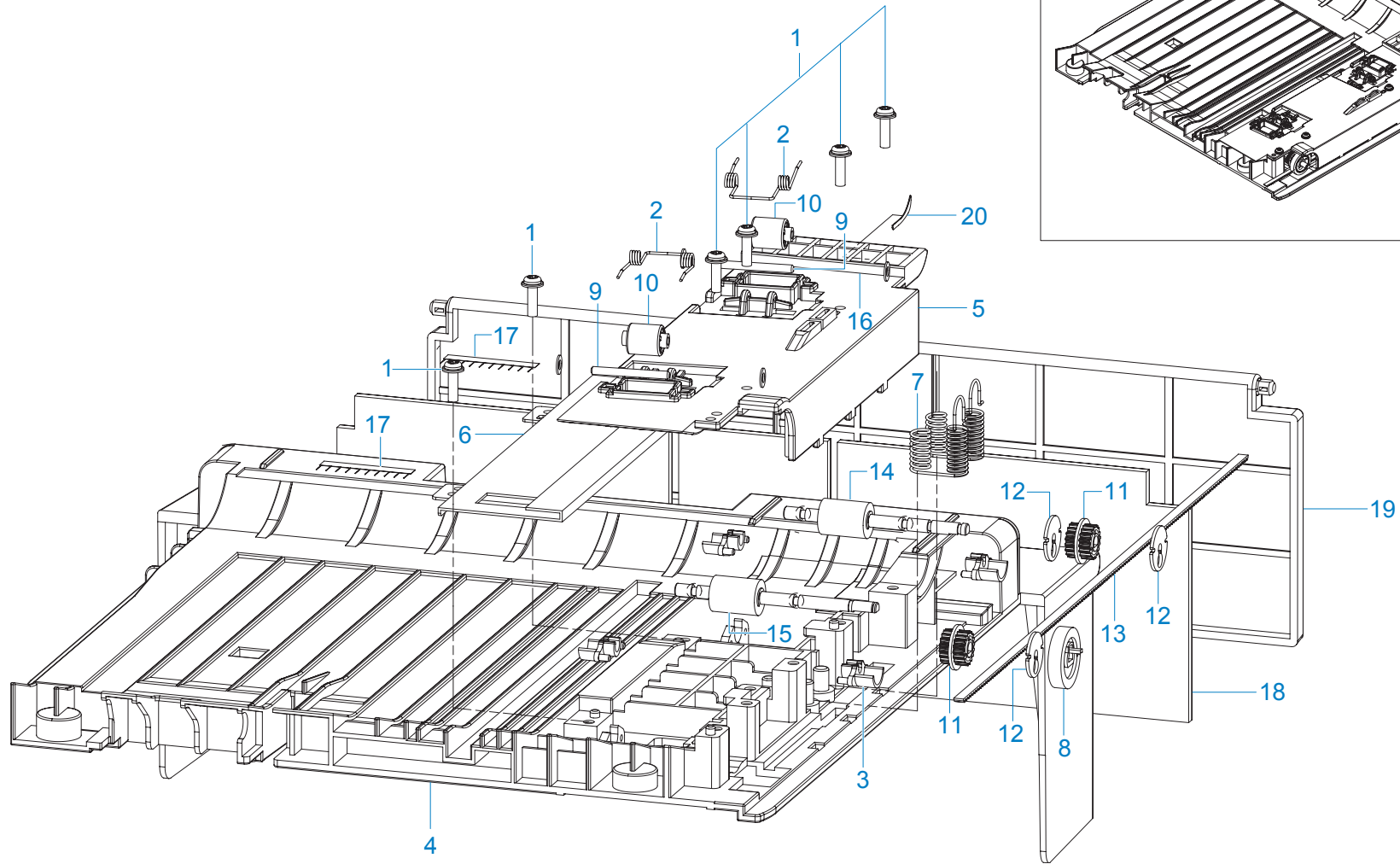
SA : SERVICE AVAILABLE, SNA : SERVICE not AVAILABLE

Drawer#	SEC_Code	Description	QT'y	Service	Grade	Remark
0	JC96-05063A	ELA UNIT-FUSER	1	SA	B	110V
0	JC96-05064A	ELA UNIT-FUSER	1	SA	B	220V
1	JC97-03164A	MEA UNIT-DOOR FUSER	1	SA	B	
2	6601-001479	BEARING-BALL	2	SA	A	
3	1404-001364	THERMISTOR-NTC ASSY	1	SA	A	
4	4712-001031	THERMOSTAT	1	SA	A	
5	4713-001207	LAMP-HALOGEN (110V)	1	SA	A	110V
5	4713-001208	LAMP-HALOGEN (220V)	1	SA	A	220V
6	6003-000196	SCREW-TAPTITE	3	SA	A	
7	6003-000269	SCREW-TAPTITE	5	SA	B	
8	6003-000282	SCREW-TAPTITE	5	SA	B	
9	6107-001267	SPRING-CS	2	SA	A	
10	6107-001246	SPRING-CS	2	SA	A	
11	6107-001159	SPRING-TS	2	SA	B	
12	6044-000231	RING-E	2	SA	A	
13	6044-000125	RING-E	4	SA	A	
14	JC75-00095A	MEC-BRUSH ANTISTATIC	1	SA	B	
15	JC72-20902A	PEX-ROLLER F/UP(2)	5	SA	D	
16	JC70-20901A	IEX-SHAFT IDLE,F/UP	5	SA	D	
17	JC63-02008A	GROUND-EARTH_UPPER	1	SNA	A	
18	JC68-00407A	LABEL(R)-HV FUSER (220V)	1	SNA	D	
19	JC67-00253A	CAP-LAMP_L	1	SNA	B	

Drawer#	SEC_Code	Description	QT'y	Service	Grade	Remark
20	JC67-00254A	CAP-LAMP_R	1	SNA	B	
21	JC66-01593B	ROLLER-HEAT	1	SA	B	
22	JC66-01588A	GEAR-FUSER	1	SA	A	
23	JC66-01453A	ROLLER-PRESSURE	1	SA	B	
24	JC66-01424A	LEVER-LINK_JAM	2	SNA	B	
25	JC66-01153A	GEAR-IDLE 23 FUSER	2	SA	A	
26	JC66-01079A	ROLLER-PRESSURE	1	SA	D	
27	JC63-01961A	GROUND-PR_FUSER	1	SNA	B	
28	JC63-01347A	COVER-FUSER_UPPER	1	SNA	B	
29	JC61-02631A	GUIDE-GROUND_PR	1	SNA	A	
30	JC61-02156A	BRACKET-FUSER	1	SNA	A	
31	JC61-02154A	GUIDE-CLAW	4	SNA	A	
32	JC61-01977A	HOLDER-JAM	2	SNA	B	
33	JC61-01961A	BUSH-PR_2ND	2	SNA	B	
34	JC61-01960A	BUSH-PR_1ST	2	SNA	B	
35	JC61-01958A	BUSH-HR	2	SA	A	
36	JC61-01950A	SPRING ETC-CLAW	4	SA	A	
37	JC61-01949A	GUIDE-INPUT	1	SNA	D	
38	JC61-01948A	FRAME-FUSER	1	SNA	B	
39	JC39-00521A	CBF HARNESS-FUSER REC	1	SA	A	110V
39	JC39-00609A	CBFHARNESS-FUSER R_2	1	SA	A	220V
40	JC39-00520A	CBF HARNESS-FUSER CON	1	SA	A	

29. MEA UNIT-DUPLEX

Ver. 1.00



MEA UNIT-DUPLEX Parts List

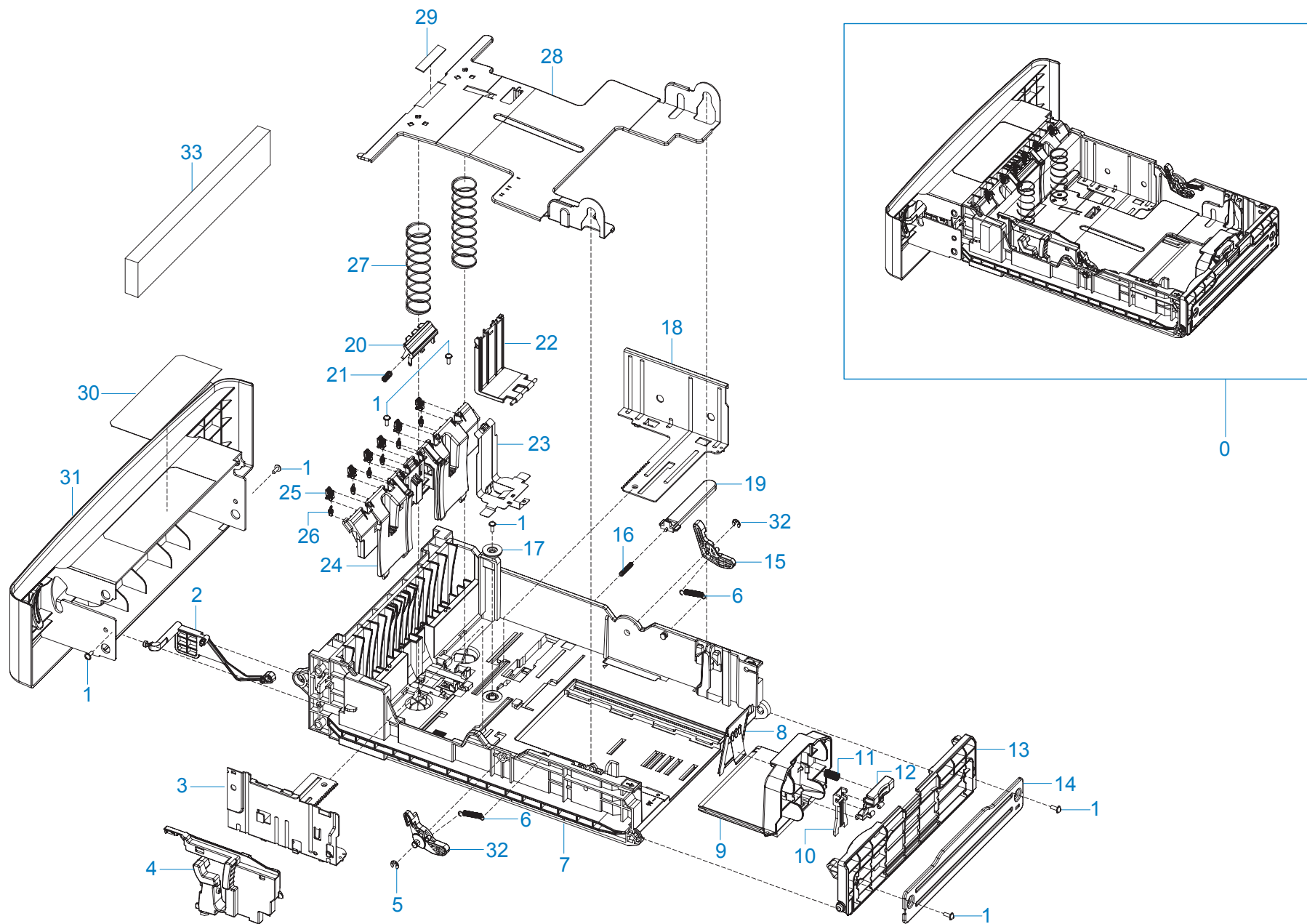
Ver. 1.00

SA : SERVICE AVAILABLE, SNA : SERVICE not AVAILABLE

Drawer#	SEC_Code	Description	QT'y	Service	Grade	Remark
0	JC97-03127B	MEA_UNIT-DUPLEX	1	SA	A	
1	6003-000196	SCREW-TAPTITE	6	SA	A	
2	6107-001156	SPRING-TS	2	SA	A	
3	JC61-00665A	BUSH-M-FEED, DUP	4	SA	D	
4	JC61-02433B	FRAME-DUPLEX	1	SNA	B	
5	JC61-01595A	GUIDE-M_UPPER DUP	1	SNA	A	
6	JC61-01596A	BRACKET-P-ALIGN DUP	1	SNA	A	
7	JC65-00017A	TERMINAL-P-GND DUP	2	SA	A	
8	JC66-00038A	GEAR-EXIT F/DOWN	1	SA	A	
9	JC66-00444A	SHAFT-IDLE ROLL, DUP	2	SA	A	
10	JC66-00896A	ROLLER-M-IDLE_DUP	2	SA	A	

Drawer#	SEC_Code	Description	QT'y	Service	Grade	Remark
11	JC66-00899A	PULLEY-18_DUP	2	SA	A	
12	JC66-00900A	PULLEY-M-18-DUMMY_DUP	3	SA	A	
13	JC66-20901A	BELT-TIMMING	1	SA	B	
14	JC96-04983A	ELA UNIT-ROLLER_DUP	1	SA	A	
15	JC96-04983B	ELA UNIT-ROLLER_DUP2	1	SA	A	
16	JK72-00058A	PCT-SILP WASHER	4	SNA	D	
17	JC67-00205A	BRUSH-ANTISTATIC-DUP	2	SNA	D	
18	JC72-01429A	SPONGE-COVER NOISE	1	SNA	D	
19	JC63-01266E	COVER-REAR NOISE	1	SNA	B	
20	JC61-02836A	PLATE-GUIDE-DUP	1	SNA	D	

30. MEA UNIT-CASSETTE



MEA UNIT-CASSETTE Parts List

Ver. 1.00

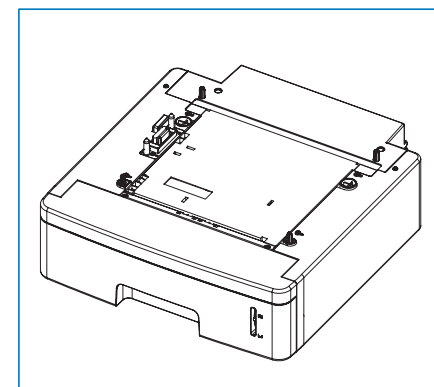
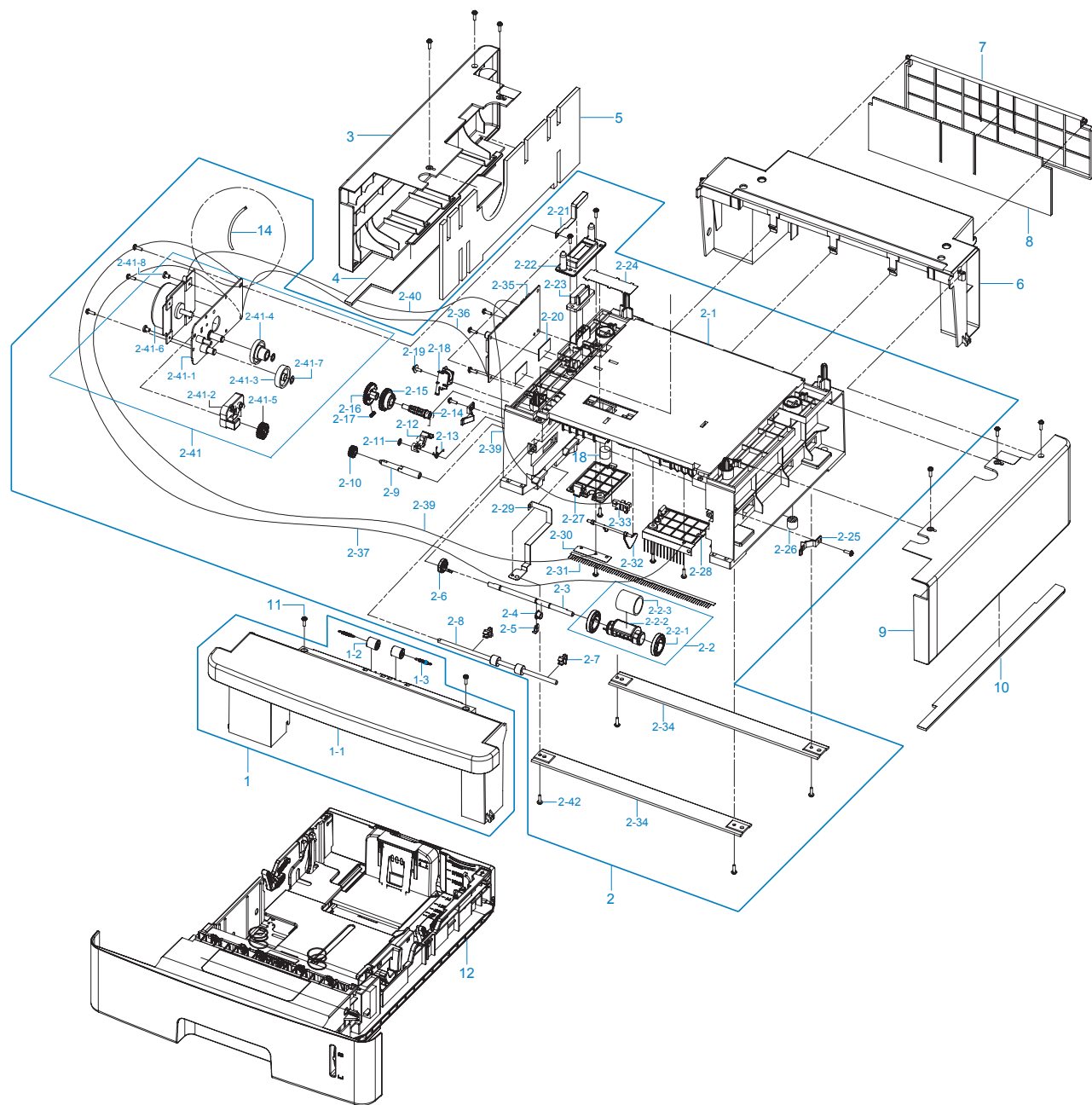
SA : SERVICE AVAILABLE, SNA : SERVICE not AVAILABLE

Drawer#	SEC_Code	Description	QT'y	Service	Grade	Remark
0	JC97-03494A	MEA UNIT-CASSETTE	1	SA	A	
1	6002-000440	SCREW-TAPPING	7	SA	B	
2	JC64-00189D	INDICATOR-M_EMPTY	1	SNA	A	
3	JC61-01244A	GUIDE-P-SIDE_R	1	SNA	A	
4	JC61-01225B	GUIDE-M_SIDE LOCK	1	SNA	B	
5	JC66-01841A	LINK-DOWN R	1	SNA	B	
6	JC61-70913A	SPRING ETC-KNOCK UP MP	2	SA	A	
7	JC61-02434B	FRAME-CASSETTE	1	SNA	B	
8	JC61-00751A	GUIDE-P-REAR PAPER CST	1	SA	B	
9	JC61-01226B	GUIDE-M-REAR	1	SNA	B	
10	JC61-00267B	GUIDE-M_LOCK A	1	SA	B	
11	JC61-00414A	SPRING ETC-GUIDE PAPER	1	SA	D	
12	JC64-00190B	KNOB-M-REAR	1	SNA	D	
13	JC61-02436B	GUIDE-EXTENSION CST	1	SNA	A	
14	JC61-01223A	BRACKET-P-EXTENTION	1	SNA	A	
15	JC66-01842A	LINK-DOWN L	1	SNA	B	
16	JG61-70531A	SPRING ETC-LOCKER,PLATE	1	SA	B	

Drawer#	SEC_Code	Description	QT'y	Service	Grade	Remark
17	JG66-40003A	GEAR-PINION	1	SA	B	
18	JC61-02438A	GUIDE-SIDE L	1	SNA	B	
19	JC72-41210A	PMO-LOCKER PLATE	1	SA	D	
20	JC97-03249A	MEA-UNIT HOLDER PAD	1	SA	B	
21	JC61-70911A	SPRING ETC-EXIT ROLL FD	1	SA	A	
22	JC61-01228A	HOLDER-M-PAD HOUSING	1	SNA	B	
23	JC63-01206A	GROUND-CASSETTE	1	SA	A	
24	JC61-02435B	GUIDE-PAPER	1	SNA	B	
25	JC64-00370A	SHUTTER-CST	6	SA	B	
26	6107-001256	SPRING-ES	6	SA	A	
27	JC61-00455A	SPRING ETC-PLATE K/UP	2	SA	D	
28	JC61-02446A	PLATE-KNOCK UP	1	SNA	B	
29	JC73-00141A	RPR-PAD CASSETTE	1	SA	B	
30	JC68-02077B	LABEL-INFORMATION	1	SNA	A	
31	JC61-02741A	GUIDE-HANDLE	1	SNA	B	
32	6044-000125	RING-E	2	SA	A	
33	JC69-00860A	CUSHION-SCF IN	1	SNA	A	

31. ELA HOU-SCF

Ver. 1.00



ELA HOU-SCF Parts List

Ver. 1.00

SA : SERVICE AVAILABLE, SNA : SERVICE not AVAILABLE

Drawer#	SEC_Code	Description	QT'y	Service	Grade	Remark
0	JC96-05383A	ELA HOU-SCF	1	SNA	B	
1	JC97-03493A	MEA-COVER FRONT SCF	1	SA	B	
1-1	JC63-02035A	COVER-FRONT SCF	1	SA	B	
1-2	JC66-00529A	ROLLER-M-IDLE FEED	2	SA	B	
1-3	6107-001047	SPRING-ES	2	SA	B	
2	JC96-05390A	ELA HOU-FRAME SCF	1	SA	B	
2-1	JC61-02447B	FRAME-SCF	1	SNA	B	
2-2	JC97-02441C	MEA-ROLLER PICK UP	1	SA	A	
2-2-1	JC66-01169A	ROLLER-IDLE PICK UP	2	SA	A	
2-2-2	JC61-01601C	HOUSING-M_PICK UP	1	SNA	A	
2-2-3	JC66-01168A	ROLLER-PICK UP	1	SA	A	
2-3	JC66-01171A	SHAFT-PICK UP	1	SNA	D	
2-4	JC72-41364A	PMO-BUSHING_P/U,MP	1	SA	D	
2-5	JC61-01367A	FIXER-M_E RING 4PI	1	SA	A	
2-6	JC66-01581A	CAM-SHAFT PICK UP	1	SNA	A	
2-7	JC72-00382B	PMO-BUSHING FEED	2	SA	D	
2-8	JC66-00598A	ROLLER-FEED	1	SA	A	
2-9	JC66-00398A	SHAFT-FEED	1	SA	A	
2-10	JC66-00394A	GEAR-FEED 2	1	SA	A	
2-11	6044-000001	RING-CS	1	SNA	A	
2-12	JC66-00377A	CAM-M-PICK_UP	1	SA	A	
2-13	6107-001170	SPRING-TS	1	SA	D	
2-14	JC61-01602A	HOLDER-M_PICK UP	1	SNA	A	
2-15	JC72-00979A	PMO-GEAR PICK_UP A	1	SNA	D	
2-16	JC66-01828A	GEAR-PICKUP OUT	1	SNA	D	
2-17	6107-001167	SPRING-CS	1	SA	A	
2-18	JC33-00025B	SOLENOID-MANUAL	1	SA	A	
2-19	6006-001078	SCREW-TAPTITE	1	SNA	A	
2-20	JC63-01796A	SHEET-COVER PCB	2	SNA	D	
2-21	JC63-01724A	GROUND-SCF UPPER	1	SNA	D	
2-22	JC61-01742A	HOLDER-CONNECTOR_SCF	1	SNA	D	

Drawer#	SEC_Code	Description	QT'y	Service	Grade	Remark
2-23	JC39-00547A	CBF HARNESS-SCF	1	SNA	D	
2-24	JC63-01755A	SHEET-COVER SENSOR	1	SNA	D	
2-25	JC72-00983A	PMO-LOCKER CST	2	SA	D	
2-26	JC61-00835A	FOOT-BACK	2	SA	A	
2-27	JC63-00765C	COVER-CONNECTOR	2	SNA	D	
2-28	JC67-00204A	BRUSH-PICK	1	SA	D	
2-29	JC63-01725A	GROUND-SCF LOWER	1	SNA	D	
2-30	JC63-00527A	SHEET-BRUSH	1	SNA	D	
2-31	JC75-00095A	MEC-BRUSH ANTISTATIC	0.25	SA	B	
2-32	JC66-01820A	ACTUATOR-PAPER EMPTY	1	SNA	D	
2-33	0604-001095	PHOTO-INTERRUPTER	1	SA	A	
2-34	JC71-00042A	BAR-P_CROSS BOTTOM	2	SA	D	
2-35	JC92-02095A	PBA-SCF	1	SA	A	
2-36	JC39-00366A	CBF HARNESS-SCF GND	1	SNA	D	
2-37	JC39-00841A	HARNESS-SCAN GND	1	SNA	D	
2-38	JB39-00103A	CBF HARNESS-LIU GND	1	SNA	D	
2-39	JC39-00912A	HARNESS-DADF_P_SIZE	1	SNA	D	
2-40	JC39-00975A	HARNESS-BLDC_MOTOR	1	SNA	D	
2-41	JC96-05389A	ELA HOU-MOTOR SCF	1	SA	D	
2-41-1	JC61-02749A	BRACKET-SCF DRIVE	1	SNA	D	
2-41-2	JC61-00878A	BRACKET-M-FEED SCF	1	SNA	D	
2-41-3	JC66-00670A	GEAR-35 IDLE	1	SNA	D	
2-41-4	JC66-02030A	GEAR-SCF	1	SNA	D	
2-41-5	JC66-00396A	GEAR-EDLE 23	1	SA	A	
2-41-6	JC31-00090A	MOTOR BLDC	1	SA	A	
2-41-7	6031-000023	WASHER-PLAIN	2	SA	A	
2-41-8	6003-000301	SCREW-TAPTITE	2	SNA	B	
2-42	6003-000196	SCREW-TAPTITE	18	SA	A	
3	JC63-01729B	COVER-LEFT SCF	1	SA	B	
4	JC72-01437A	SPONGE-SCF L1	1	SNA	D	
5	JC72-01438A	SPONGE-SCF L2	1	SNA	D	

ELA HOU-SCF Parts List

Ver. 1.00

SA : SERVICE AVAILABLE, SNA : SERVICE not AVAILABLE

Drawer#	SEC_Code	Description	QT'y	Service	Grade	Remark
6	JC63-01727B	COVER-REAR SCF	1	SA	D	
7	JC63-01266E	COVER-REAR NOISE	1	SNA	B	
8	JC72-01429A	SPONGE-COVER NOISE	1	SNA	D	
9	JC63-01728B	COVER-RIGHT SCF	1	SA	D	

Drawer#	SEC_Code	Description	QT'y	Service	Grade	Remark
10	JC72-01436A	SPONGE-SCF R	1	SNA	D	
11	6003-000196	SCREW-TAPTITE	8	SA	A	
12	JC97-03111A	MEA UNIT-CASSETTE	1	SNA	B	
14	6501-000004	CABLE TIE	1	SNA	D	