



Parts Catalog - SCX-5635 Series



- Speed : 33 ppm (A4), 35 ppm (LTR)
- Print Resolution : 600x600 dpi
- Scan Resolution : Enhanced 4800x4800 dpi
- Toner cartridge
 - Initial : 4K
 - Sales : 4K/10K

- Machine Life : 200K or 5 Years
- Paper handling
 - : 250 sheets cassette
 - : 50 sheets MP tray
 - : 250 sheets option cassette

- Memory : 128 MB (Max. 384 MB)
- Duplex printing
- N/W, USB 2.0, EDI, Wireless option
- 4 Line LCD

**This Parts Catalog is a property of Samsung Electronics Co.,Ltd.
Any unauthorized use of this manual can be punished under
applicable International and/or domestic law.**


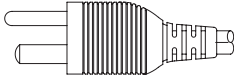
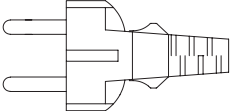
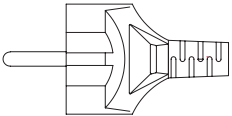
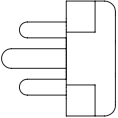
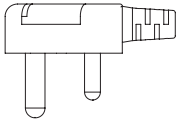
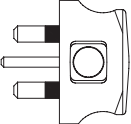
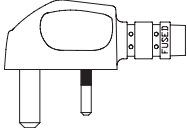
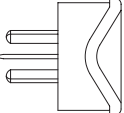
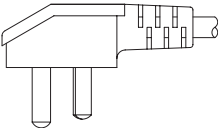
ExplodedView and Parts List

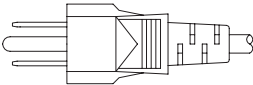
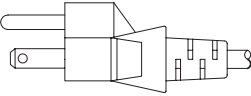
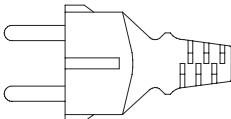
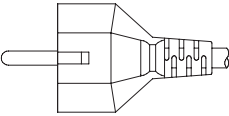
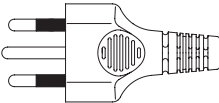
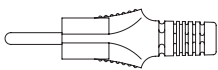
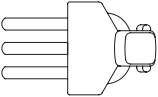
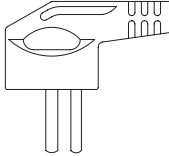
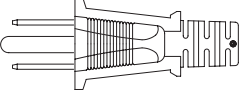
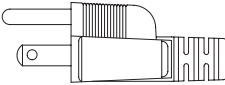
Contents

Power Cord	2	17. ELA HOU-Scan Lower	43
Harness Connection Table	3	18. ELA HOU-Scan Motor	45
Used Screw List	5	19. ELA HOU-OPE	47
Thumbnail 1	7	20. ELA Unit-Main Drive	49
1. Main	10	21. ELA Unit-Duplex Drive	51
2. ELA HOU-Cover	12	22. ELA HOU-Frame	53
3. ELA HOU-Cover Mid	15	23. ELA HOU-Frame Etc.1	55
4. MEA-Cover Front	17	ELA HOU-Frame Etc.2	56
5. MEA-Cover Rear	19	24. ELA HOU-Frame Exit	59
6. ELA HOU-Cover Side R	21	25. ELA HOU-Guide_Dup F	61
7. ELA HOU-Scan	23	26. ELA HOU-MPF	63
8. ELA HOU-ADF	25	27. ELA HOU-Fuser Drive	65
9. MEA-Cover Open	27	28. ELA Unit-Fuser	67
10. MEA Unit-Pick Up	29	29. MEA Unit-Bracket Feed	69
11. MEA-ADF Upper	31	30. MEA Unit-Clutch	71
12. ELA HOU-ADF Lower	33	31. ELA HOU-SMPS_V1/V2	73
13. Drive ADF-Bracket	35	32. MEA Unit-Duplex	75
14. MEA Unit-Cover Platen	37	33. MEA Unit-Cassette	77
15. ELA HOU-Platen	39	34. ELA HOU-SCF	79
16. MEA-Scan Upper	41		

Power Cord

Power Cord differs by countries. Please check your country code.

Top View	Side View	Part Code
		Usable Country Code
		3903-000020
		XAZ
		3903-000042
		SEE / STS / XSA / XSG XSS / XEV / XEG
		3903-000050
		XFA / XIP
		3903-000067
		XEU / XSS
		3903-000082
		XIL

Top View	Side View	Part Code
		Usable Country Code
		3903-000085
		XAA / XAX
		3903-000133
		KOR
		3903-000146
		XBH
		3903-000182
		ETS
		3903-000227
		TED

Harness Connection Table

No.	Parts Code	Description	Connection	Pin		Specification
23	JC39-00536A	CBF HARNESS-ADF UPPER	ADF PBA <-> Main PBA	18P	18P	SCX-5530FN,-,UL 1061,18P,250±10MM,BLACK/RED,#24,3-179694-1,YDH200-18,-,-,-,UL
24	JC39-00887A	HARNESS-F_COVER_OPEN	Main PBA <-> Flat Cover Sensor	3P	3P	SCX-5235ND,-,UL10272,3P/3P,300mm,BLK/GRAY,26AWG,353293-3,173977-3,-,-,-,-,-
25	JC39-01007A	HARNESS-SCAN_MOTOR	Main PBA <-> Scan Motor	4P	4P	SCX-5535ND,-,UL10272,4P / 4P,200MM,BLK/GRAY,26AWG,173977-4,173977-4,-,-,-,-,-
26	JC39-01057A	HARNESS-CCD_HOME	Main PBA <-> CCD_HOME SENSOR	5P	5P	SCX-5635FN,HARNESS,UL10272,5,325,GRAY/BLK,26,173977-3,173977-2,-,-,-,-,UL 10272,-,-
27	JC39-01060A	HARNESS-ADF LOWER	Main PBA <-> ADF PBA	18P	18P	SCX-5635FN,HARNESS,UL10272,18,375,GRAY/BLK,26,3-179694-1,YDH200-18,-,-,-,UL 10272,-,-
28	JC39-01061A	HARNESS-SMPS_FAN	Driver PBA <-> SMPS Fan	2P	2P	SCX-5635fN,-,UL10272,2P/2P,350mm,Black / Gray,26AWG,353293-2,173977-2,-,-,-,-,UL 10272,-,-
29	JC39-00863A	HARNESS-ENGINE	Main PBA <-> Driver PBA	28P	28P	SCX-5235ND,-,UL10272,28P/28P,675mm,BLK/GRAY,26AWG,YDH200-28,YDH200-28,-,-,-,-,-
30	JC39-01059A	HARNESS-PAPER_SIZE	Main PBA <-> P_Size Sensor	3P	3P	SCX-5635FN,HARNESS,UL10272,3,150,GRAY/BLK,26,173977-3,-,-,-,-,UL 10272,-,-

Used Screw List

Ver. 1.04

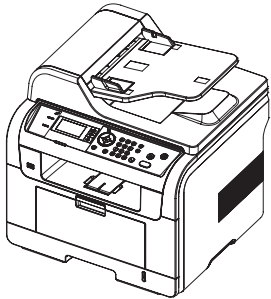
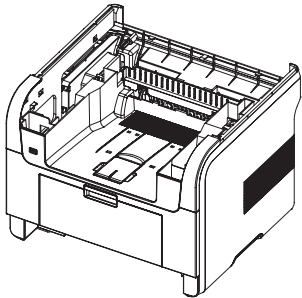
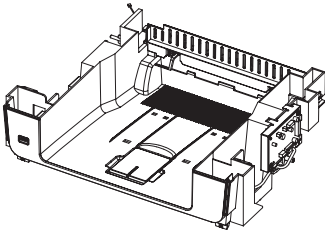
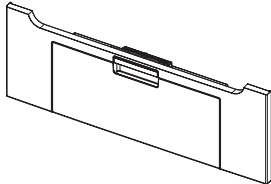
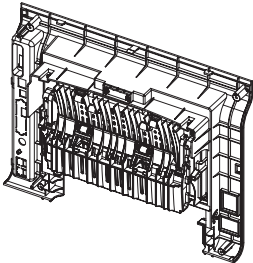
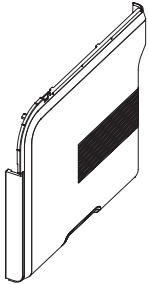
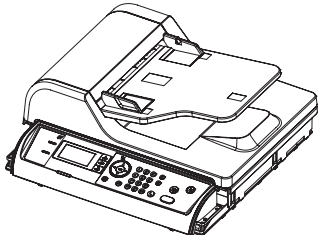
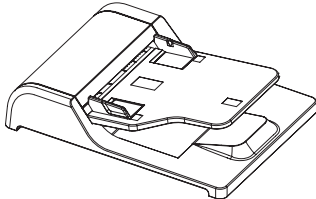
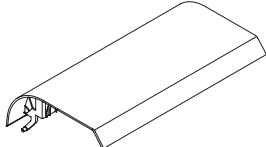
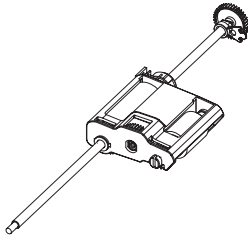
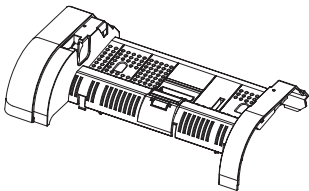
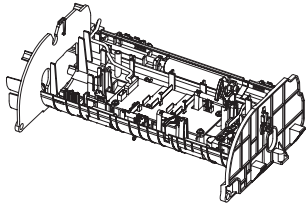
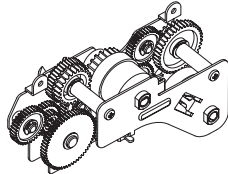
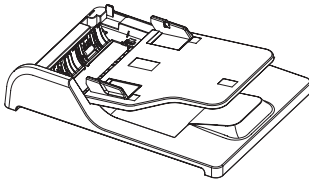
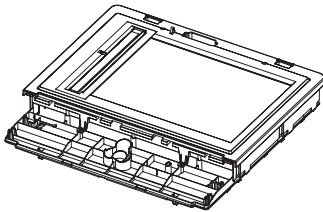
Parts Code	Location	Specification	Qty
6001-000130	ELA UNIT-MAIN DRIVE	SCREW-MACHINE;BH,+,M3,L6,ZPC(WHT),SWRCH18A,-,-	3
	ELA UNIT-DUPLEX DRIVE	SCREW-MACHINE;BH,+,M3,L6,ZPC(WHT),SWRCH18A,-,-	2
6002-000440	ELA HOU-FRAME ETC	SCREW-TAPPING;PWH,+,-,2,M3,L8,ZPC(BLK),SWRCH18A,-	4
	ELA HOU-GUIDE_DUP F (ELA HOU-FRAME ETC)	SCREW-TAPPING;PWH,+,-,2,M3,L8,ZPC(BLK),SWRCH18A,-	1
	HOLDER GLASS + SCAN	SCREW-TAPPING;PWH,+,-,2,M3,L8,ZPC(BLK),SWRCH18A,-	2
6003-000196	ELA HOU-MAIN LINE	SCREW-TAPTITE;PWH,+,B,M3,L10,NI PLT,SWRCH18A	38
	ELA HOU-FRAME	SCREW-TAPTITE;PWH,+,B,M3,L10,NI PLT,SWRCH18A	7
	FUSER-ROLLER	SCREW-TAPTITE;PWH,+,B,M3,L10,NI PLT,SWRCH18A	3
	ELA HOU-FRAME ETC	SCREW-TAPTITE;PWH,+,B,M3,L10,NI PLT,SWRCH18A	34
	FRAME MP+BRACKET FE (ELA HOU-MPF)	SCREW-TAPTITE;PWH,+,B,M3,L10,NI PLT,SWRCH18A	2
	FRAME MP+HOLDER IDL	SCREW-TAPTITE;PWH,+,B,M3,L10,NI PLT,SWRCH18A	2
	FRAME MP+SOLENOID	SCREW-TAPTITE;PWH,+,B,M3,L10,NI PLT,SWRCH18A	1
	ELA HOU-SCAN	SCREW-TAPTITE;PWH,+,B,M3,L10,NI PLT,SWRCH18A	2
	ELA HOU-OPE	SCREW-TAPTITE;PWH,+,B,M3,L10,NI PLT,SWRCH18A	5
	ELA HOU-ADF	SCREW-TAPTITE;PWH,+,B,M3,L10,NI PLT,SWRCH18A	10
	ELA HOU-ADF LOWER	SCREW-TAPTITE;PWH,+,B,M3,L10,NI PLT,SWRCH18A	6
	HINGE + COVER PLATEN	SCREW-TAPTITE;PWH,+,B,M3,L10,NI PLT,SWRCH18A	6
	TX STAXKER + COVER	SCREW-TAPTITE;PWH,+,B,M3,L10,NI PLT,SWRCH18A	3
	ELA HOU-PLATEN	SCREW-TAPTITE;PWH,+,B,M3,L10,NI PLT,SWRCH18A	4
	ELA HOU-SCAN LOWER	SCREW-TAPTITE;PWH,+,B,M3,L10,NI PLT,SWRCH18A	5
	ELA HOU-COVER MID	SCREW-TAPTITE;PWH,+,B,M3,L10,NI PLT,SWRCH18A	7
	CAP SUB ACTUATOR+CO	SCREW-TAPTITE;PWH,+,B,M3,L10,NI PLT,SWRCH18A	1
	KNOB LOCKER+COVER F	SCREW-TAPTITE;PWH,+,B,M3,L10,NI PLT,SWRCH18A	2
	MEA-COVER REAR	SCREW-TAPTITE;PWH,+,B,M3,L10,NI PLT,SWRCH18A	2
	FRAME DUP+BRACKET A (MEA UNIT-DUPLEX)	SCREW-TAPTITE;PWH,+,B,M3,L10,NI PLT,SWRCH18A	2
FRAME DUP+GUIDE UPP (MEA UNIT-DUPLEX)	SCREW-TAPTITE;PWH,+,B,M3,L10,NI PLT,SWRCH18A	4	
MEA UNIT-CASSETTE	SCREW-TAPTITE;PWH,+,B,M3,L10,NI PLT,SWRCH18A	2	
6003-000261	MEA UNIT-CASSETTE	SCREW-TAPTITE;BH,+,-,B,M3,L6,ZPC(WHT),SWRCH18A,-	1
6003-000264	TRAY ASF INPUT UPPE	SCREW-TAPTITE;PWH,+,-,B,M3,L6,ZPC(WHT),SWRCH18A,-	1
	MEA UNIT-CASSETTE	SCREW-TAPTITE;PWH,+,-,B,M3,L6,ZPC(WHT),SWRCH18A,-	1

Used Screw List

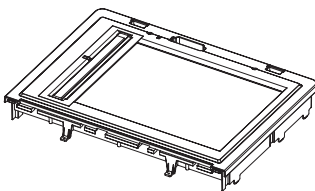
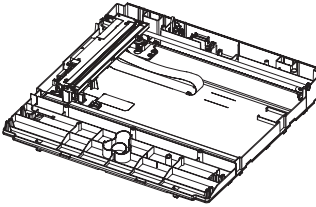
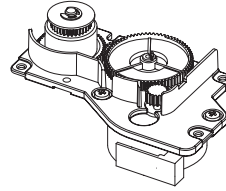
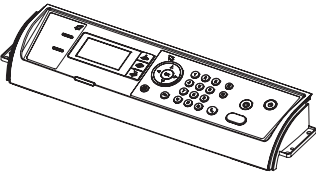
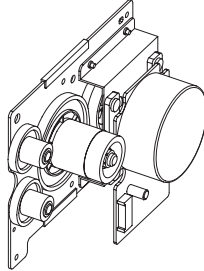
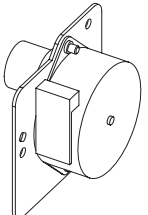
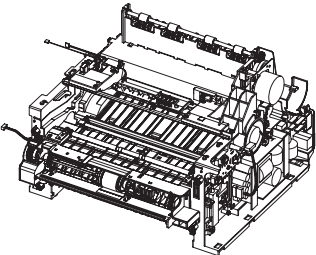
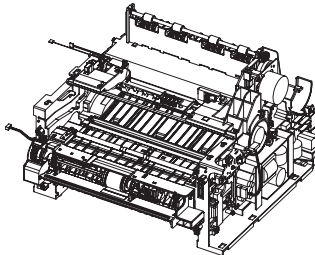
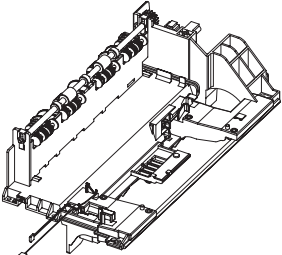
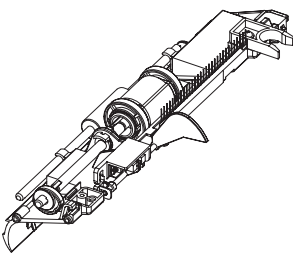
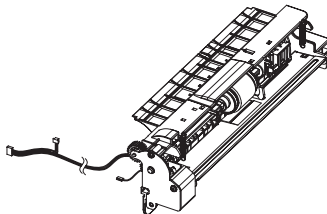
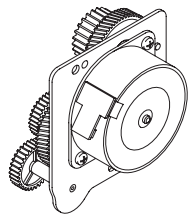
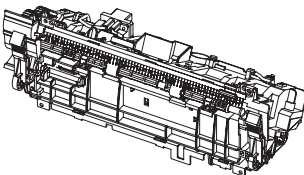
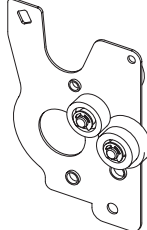
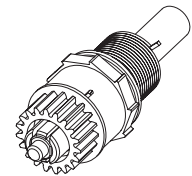
Ver. 1.04

Parts Code	Location	Specification	Qty
6003-000269	ELA UNIT-MAIN DRIVE	SCREW-TAPTITE;BH,+,-,S,M3,L6,ZPC(WHT),SWRCH18A,-	4
	ELA HOU-MAIN LINE	SCREW-TAPTITE;BH,+,-,S,M3,L6,ZPC(WHT),SWRCH18A,-	7
	FUSER-ROLLER	SCREW-TAPTITE;BH,+,-,S,M3,L6,ZPC(WHT),SWRCH18A,-	5
	ELA HOU-FUSER DRIVE	SCREW-TAPTITE;BH,+,-,S,M3,L6,ZPC(WHT),SWRCH18A,-	2
	HVPS+SHIELD HVPS	SCREW-TAPTITE;BH,+,-,S,M3,L6,ZPC(WHT),SWRCH18A,-	3
	ELA HOU-SMPS_V1	SCREW-TAPTITE;BH,+,-,S,M3,L6,ZPC(WHT),SWRCH18A,-	4
	COVER CLUTCH + BRAC	SCREW-TAPTITE;BH,+,-,S,M3,L6,ZPC(WHT),SWRCH18A,-	2
	HARNESS GND + ADF M	SCREW-TAPTITE;BH,+,-,S,M3,L6,ZPC(WHT),SWRCH18A,-	1
	MOTOR ADF + BRACKET	SCREW-TAPTITE;BH,+,-,S,M3,L6,ZPC(WHT),SWRCH18A,-	2
	ELA HOU-ADF LOWER	SCREW-TAPTITE;BH,+,-,S,M3,L6,ZPC(WHT),SWRCH18A,-	1
	ELA HOU-SCAN MOTOR	SCREW-TAPTITE;BH,+,-,S,M3,L6,ZPC(WHT),SWRCH18A,-	2
6003-000282	MEA-TONER KIT	SCREW-TAPTITE;BH,+,-,B,M3,L8,ZPC(BLK),SWRCH18A,-	10
	FUSER-ROLLER	SCREW-TAPTITE;BH,+,-,B,M3,L8,ZPC(BLK),SWRCH18A,-	5
	ELA HOU-FRAME ETC	SCREW-TAPTITE;BH,+,-,B,M3,L8,ZPC(BLK),SWRCH18A,-	5
	EXIT GUIDE (ELA HOU-FRAME ETC)	SCREW-TAPTITE;BH,+,-,B,M3,L8,ZPC(BLK),SWRCH18A,-	3
6003-000301	ELA UNIT-MAIN DRIVE	SCREW-TAPTITE;BH,+,-,S,M4,L6,ZPC(WHT),SWRCH18A,-	4
	ELA HOU-SMPS_V1	SCREW-TAPTITE;BH,+,-,S,M4,L6,ZPC(WHT),SWRCH18A,-	1
6003-001001	MEA-COVER REAR	SCREW-TAPTITE;FH,+B,M3,L8,ZPC(BLK),SWRCH18A	1
6003-001256	ELA HOU-MAIN LINE	SCREW-TAPTITE;BH,+B,M4,L10,NI PLT,SWRCH18A	4
6006-001078	ELA HOU-FRAME ETC	SCREW-TAPTITE;PH,+WSP,B,M3,L10,ZPC(WHT),SWRCH18A,-	3
6009-001492	ELA HOU-MAIN LINE	SCREW-HEX;HWH,+M3,L8,NI PLT,SWRCH18A,S,RF	2

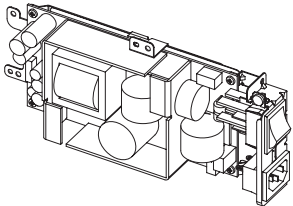
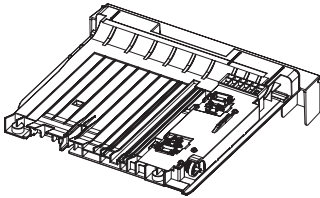
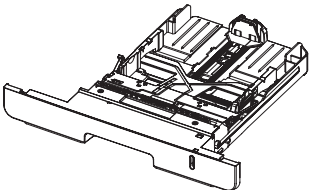
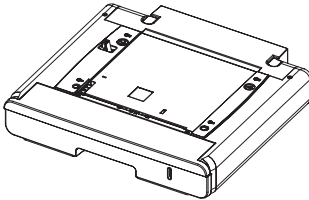
Tumbnail 1

				
<p>1. Main</p>	<p>2. ELA HOU-Cover</p>	<p>3. ELA HOU-Cover Mid</p>	<p>4. MEA-Cover Front</p>	<p>5. MEA-Cover Rear</p>
				
<p>6. ELA HOU-Cover Side R</p>	<p>7. ELA HOU-Scan</p>	<p>8. ELA HOU-ADF</p>	<p>9. MEA-Cover Open</p>	<p>10. MEA Unit-Pick Up</p>
				
<p>11. MEA-ADF Upper</p>	<p>12. ELA HOU-ADF Lower</p>	<p>13. Drive ADF-Bracket</p>	<p>14. MEA Unit-Cover Platen</p>	<p>15. ELA HOU-Platen</p>

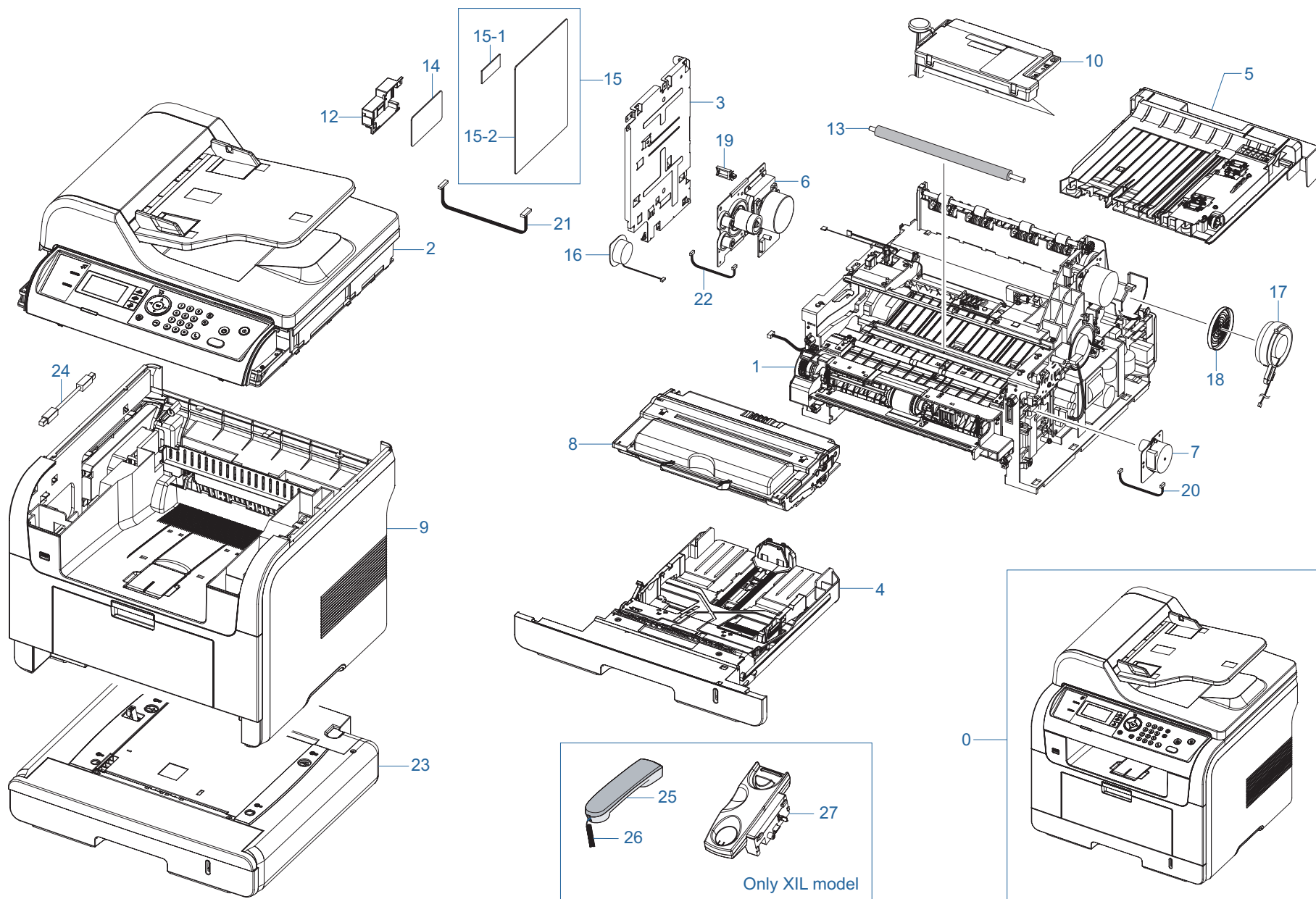
Tumbnail 2

				
16. MEA-Scan Upper	17. ELA HOU-Scan Lower	18. ELA HOU-Scan Motor	19. ELA HOU-OPE	20. ELA Unit-Main Drive
				
21. ELA Unit-Duplex Drive	22. ELA HOU-Frame	23. ELA HOU-Frame Etc	24. ELA HOU-Frame Exit	25. ELA HOU-Guide_Dup F
				
26. ELA HOU-MPF	27. ELA HOU-Fuser Drive	28. ELA Unit-Fuser	29. MEA Unit-Bracket Feed	30. MEA Unit-Clutch

Tumbnail 3

			
<p>31. ELA HOU-SMPS_V1/V2</p>	<p>32. MEA Unit-Duplex</p>	<p>33. MEA Unit-Cassette</p>	<p>34. ELA HOU-SCF</p>

1. Main



Main Parts List

Ver. 1.04

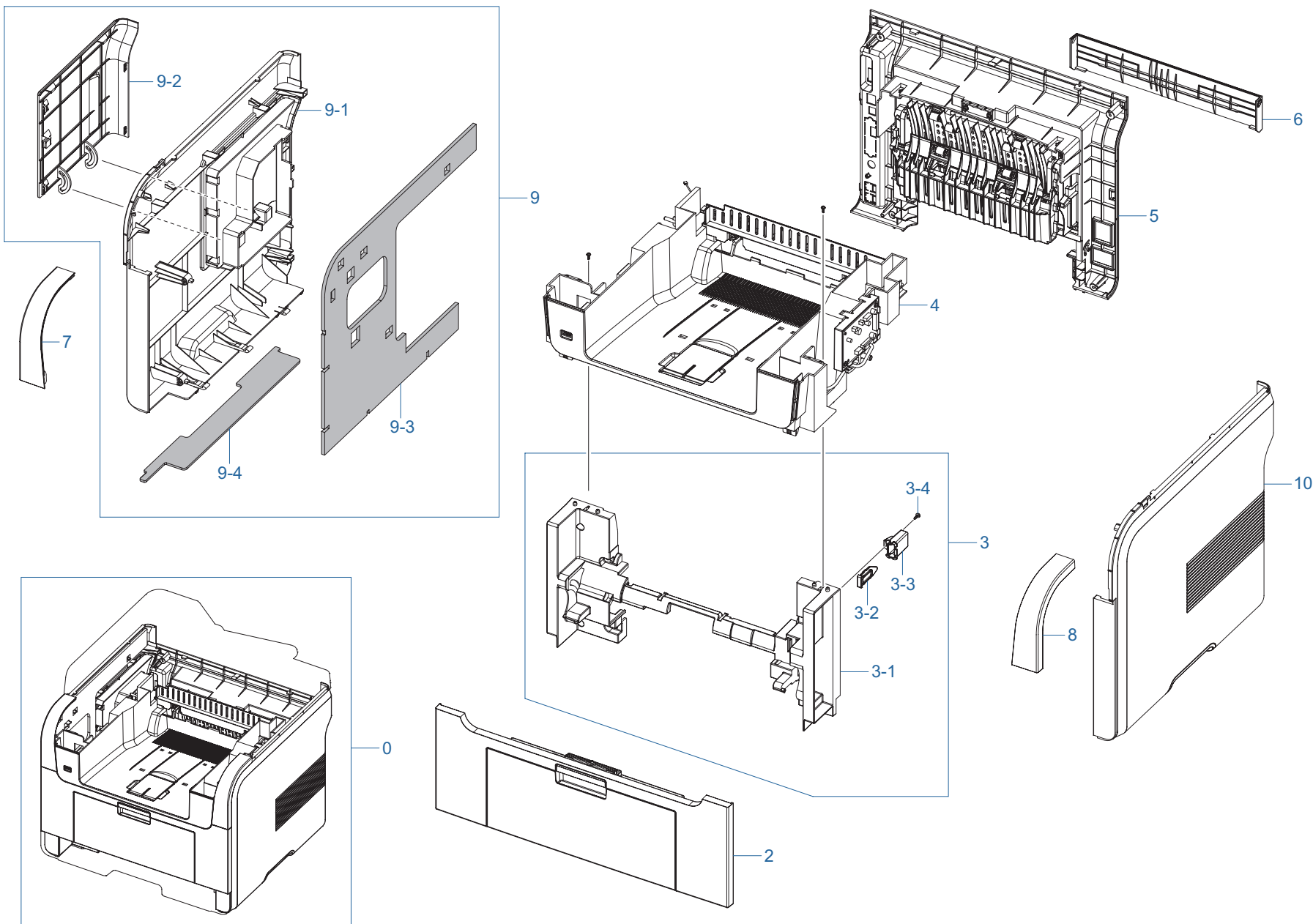
SA : SERVICE AVAILABLE, SNA : SERVICE not AVAILABLE

Drawer#	SEC_Code	Description	QT'y	Service	Remark
0	SCX-5635FN SCX-5635HN	SET	1		
1	JC96-05516A	ELA HOU-FRAME	1	SNA	110V
1	JC96-05517A	ELA HOU-FRAME	1	SNA	220V
2	JC96-05521A	ELA HOU-SCAN	1	SNA	
2	JC96-05521B	ELA HOU-SCAN	1	SNA	5635HN/XIL
3	JC63-02126A	SHIELD-CONTROLLER	1	SA	
4	JC97-03554A	MEA UNIT-CASSETTE	1	SNA	
5	JC97-02393A	MEA UNIT-DUPLEX	1	SA	
6	JC96-03761B	ELA UNIT-MAIN DRIVE	1	SA	
7	JC96-03762B	ELA UNIT-DUPLEX DRIVE	1	SA	
8	JC96-04964W	CARTRIDGE-TONER	1	SNA	
9	JC96-05523A	ELA HOU-COVER	1	SNA	
9	JC96-05523B	ELA HOU-COVER	1	SNA	5635HN/XIL
10	JC59-00027A	UNIT-LSU	1	SA	
12	JC63-01677A	COVER-FAX	1	SA	
13	JC66-02017A	ROLLER-TRANSFER	1	SA	
14	JC92-02106A	PBA-FAX CARD	1	SA	5635HN/XIL
14	JC92-02060B	PBA-FAX CARD	1	SA	SEE, XEC

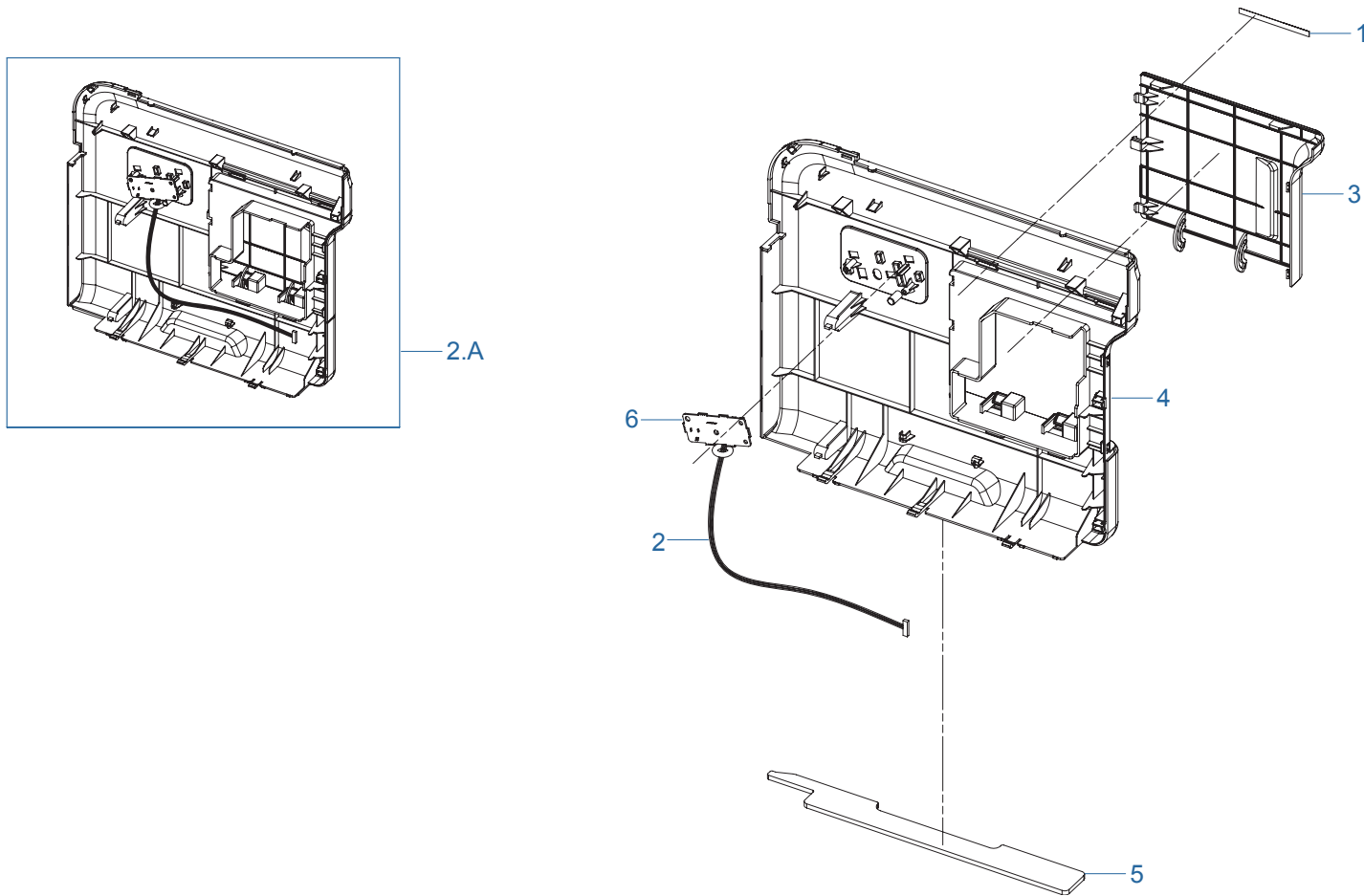
Drawer#	SEC_Code	Description	QT'y	Service	Remark
14	JC92-02060C	PBA-FAX CARD P	1	SA	Other
15	JC96-05483A	ELA UNIT-MAIN	1	SNA	
15	JC96-05483B	ELA UNIT-MAIN	1	SNA	5635HN/XIL
15-1	JC92-01923A	PBA-RAM DIMM	1	SA	
15-2	JC92-02108A	PBA-MAIN	1	SA	Other
15-2	JC92-02108B	PBA-MAIN	1	SA	5635HN/XIL
15-2	JC92-02108C	PBA-MAIN	1	SA	XEC
16	3001-002262	SPEAKER	1	SA	
17	JC31-00087A	FAN-DC	1	SA	
18	JC63-01778A	COVER-FAN_DC	1	SA	
19	6502-001093	CABLE CLAMP	1	SNA	
20	JC39-01003A	HARNESS-DUPLEX_MOTOR	1	SA	
21	JC39-00883A	HARNESS-FAX	1	SA	
22	JC39-00869A	HARNESS-BLDC	1	SA	
23	JC90-00904A	SCF-MAIN	1	SNA	Option Unit
24	JC39-01038A	HARNESS-USB HOST	1	SA	
25	JC98-01018A	HANDSET ASSY	1	SA	5635HN/XIL
26	JB39-00182E	CURL CORD	1	SA	5635HN/XIL
27	JC97-03569A	MEA UNIT_CRADLE	1	SA	5635HN/XIL

2. ELA HOU-Cover

Ver. 1.04



2.A COVER SIDE L (Only XIL model)



ELA HOU-Cover Parts List

Ver. 1.04

SA : SERVICE AVAILABLE, SNA : SERVICE not AVAILABLE

Drawer#	SEC_Code	Description	QT'y	Service	Remark
0	JC96-05523A	ELA HOU-COVER	1	SNA	
2	JC97-02420A	MEA-COVER FRONT	1	SA	
3	JC97-02419A	MEA-COVER MID FRONT	1	SA	
3-1	JC63-00935A	COVER-M_MID FRONT	1	SNA	
3-2	JC72-01339A	PMO-M-SUB ACTUATOR	1	SNA	
3-3	JC67-00068C	CAP-M_SUB ACTUATOR	1	SNA	
3-4	6003-000196	SCREW-TAPTITE	1	SA	
4	JC96-05522A	ELA HOU-COVER MID	1	SNA	
5	JC97-03555A	MEA-COVER REAR	1	SA	

Drawer#	SEC_Code	Description	QT'y	Service	Remark
6	JC63-01464A	COVER-FRAME DUP	1	SA	
7	JC63-00934A	COVER-M_LEFT UPPER	1	SA	
8	JC63-00933A	COVER-M_RIGHT UPPER	1	SA	
9	JC97-03552A	MEA-COVER SIDE L	1	SA	
9-1	JC63-00929A	COVER-M_SIDE L	1	SNA	
9-2	JC63-00930A	COVER-M_DIMM	1	SNA	
9-3	JC72-01535A	SPONGE-COVER SIDE L	1	SNA	
9-4	JC72-01533A	SPONGE-SIDE BOTTOM L	1	SNA	
10	JC96-05518A	ELA HOU-COVER SIDE R	1	SA	

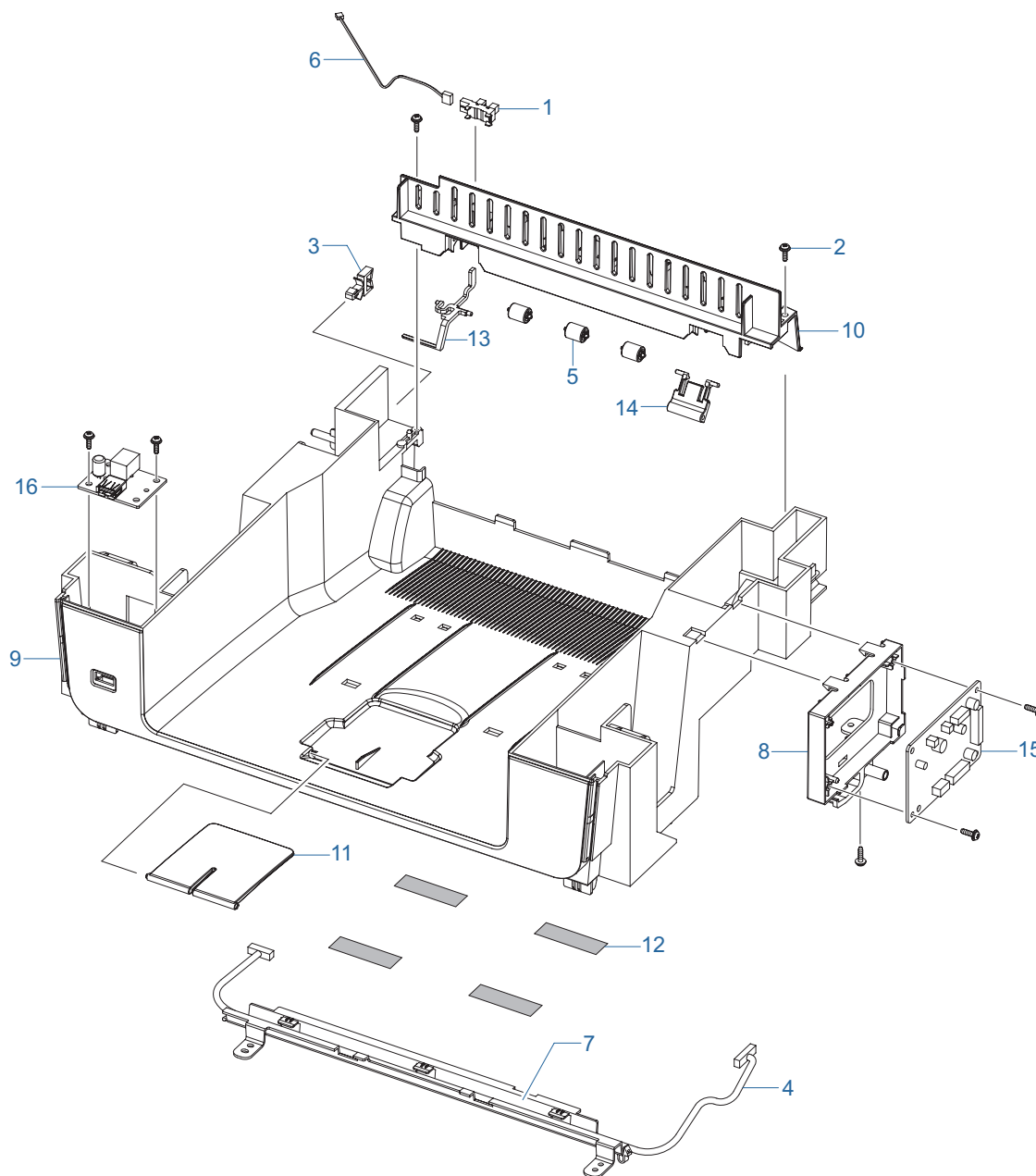
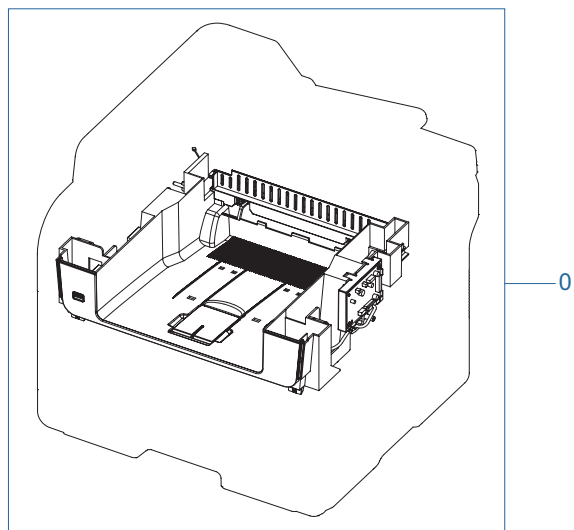
2.A COVER SIDE L (Only XIL model) Parts List

SA : SERVICE AVAILABLE, SNA : SERVICE not AVAILABLE

Drawer#	SEC_Code	Description	QT'y	Service	Remark
0	JC97-03552B	MEA-COVER SIDE L	1	SA	5635HN/XIL
1	0203-001159	TAPE-FILAMENT	1	SNA	
2	JC39-01054A	HARNES-HOOK	1	SA	
3	JC63-00930A	COVER-M_DIMM	1	SNA	

Drawer#	SEC_Code	Description	QT'y	Service	Remark
4	JC63-02122A	COVER-SIDE L	1	SNA	
5	JC72-01533A	SPONGE-SIDE BOTTOM L	1	SNA	
6	JC92-02100A	PBA-HOOK	1	SA	

3. ELA HOU-Cover Mid



ELA HOU-Cover Mid Parts List

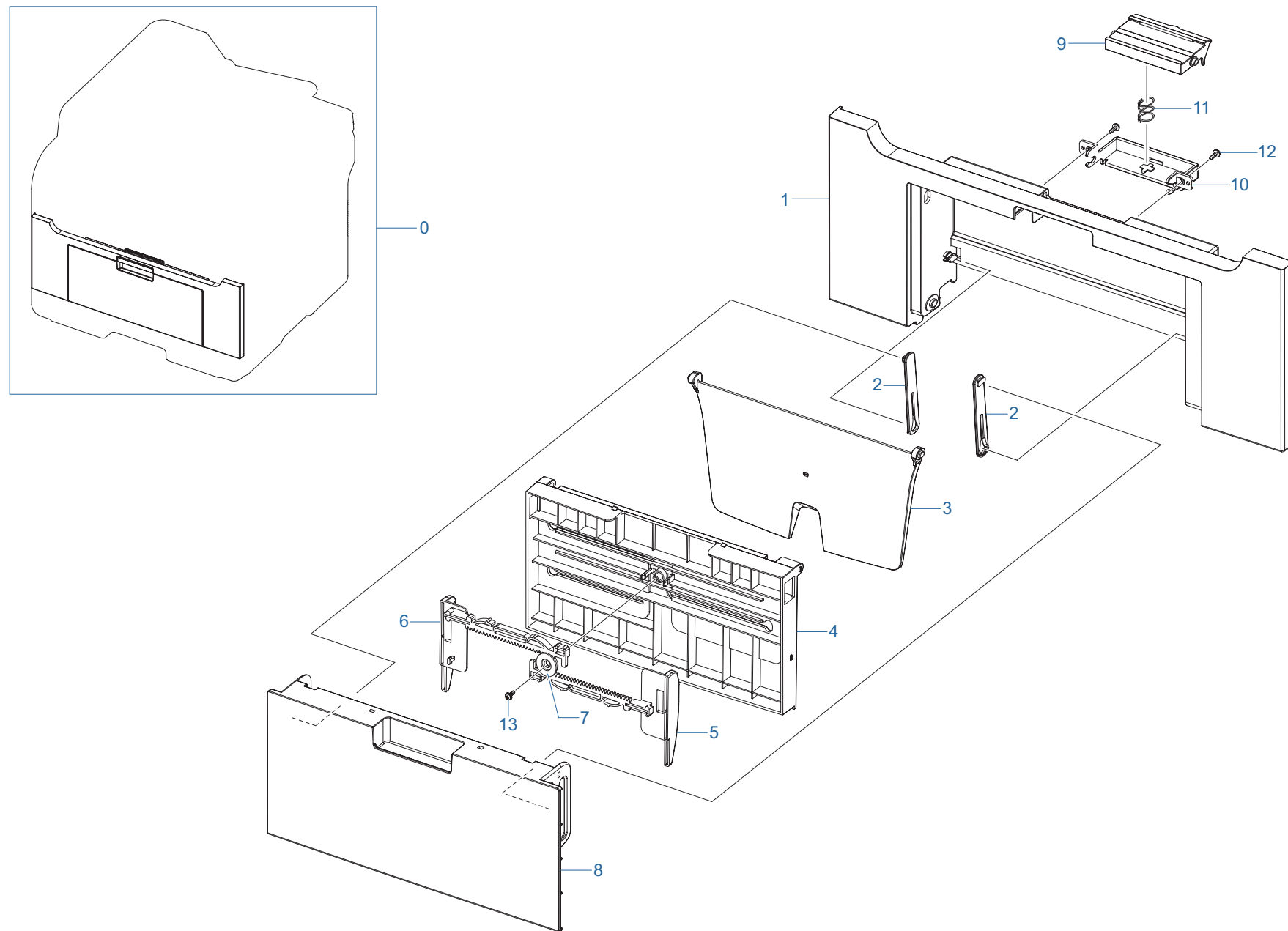
Ver. 1.04

SA : SERVICE AVAILABLE, SNA : SERVICE not AVAILABLE

Drawer#	SEC_Code	Description	QT'y	Service	Remark
0	JC96-05522A	ELA HOU-COVER MID	1	SNA	
1	0604-001095	PHOTO-INTERRUPTER	1	SA	
2	6003-000196	SCREW-TAPTITE	7	SA	
3	6502-000132	CABLE CLAMP	1	SNA	
4	JC39-00863A	HARNESS-ENGINE	1	SA	
5	JC72-40981A	PMO-ROLLER UPPER DP	3	SA	
6	JC39-01059A	HARNESS-PAPER_SIZE	1	SA	
7	JC61-02828A	HOLDER-HANRNESS MIDDLE	1	SA	
8	JC61-02829A	HOLDER-PBA DRIVE	1	SA	

Drawer#	SEC_Code	Description	QT'y	Service	Remark
9	JC63-00927D	COVER-M_MIDDLE	1	SNA	
10	JC63-00938A	COVER-M_REAR UPPER	1	SA	
11	JC63-00944A	COVER-M_STACKER RX	1	SA	
12	JC63-02188A	SHEET-DUMMY MIDDLE	4	SNA	
13	JC66-02107A	ACTUATOR-BIN FULL	1	SNA	
14	JC72-01001A	PMO-SUB STACKER	1	SA	
15	JC92-02096A	PBA-DRIVER	1	SA	
16	JC92-02110A	PBA-USB HOST	1	SA	

4. MEA-Cover Front



ME-A-Cover Front Parts List

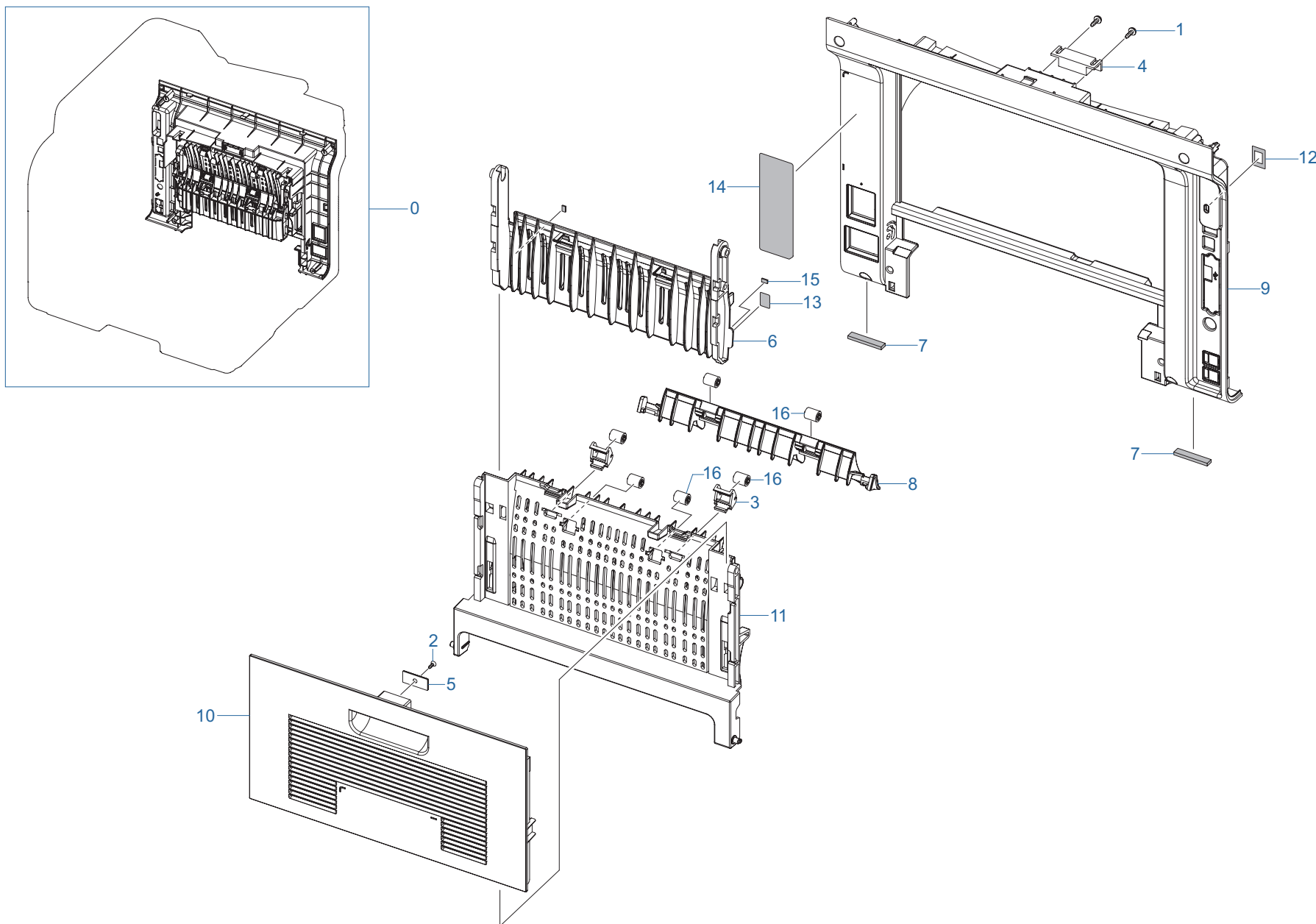
Ver. 1.04

SA : SERVICE AVAILABLE, SNA : SERVICE not AVAILABLE

Drawer#	SEC_Code	Description	QT'y	Service	Remark
0	JC97-02420A	MEA-COVER FRONT	1	SA	
1	JC63-00932A	COVER-M_FRONT	1	SNA	
2	JC63-00444A	TRAY-M-LINK_MP	2	SA	
3	JC63-00446E	TRAY-M-ASF_INPUT UPPER	1	SC	
4	JC63-00945A	TRAY-M-ASF_INPUT	1	SNA	
5	JC70-00479D	ADJUST-M_MP R	1	SNA	
6	JC70-00478D	ADJUST-M_MP L	1	SNA	

Drawer#	SEC_Code	Description	QT'y	Service	Remark
7	JG66-40003A	GEAR-PINION	1	SA	
8	JC63-00447E	TRAY-M-ASF_FOLDER	1	SC	
9	JC64-00154C	KNOB-M_LOCKER	2	SA	
10	JC61-00953D	HOLDER-M_LOCKER	1	SC	
11	JG61-70549A	SPRING ETC-CIS(C2)	1	SA	
12	6003-000196	SCREW-TAPTITE	2	SA	
13	6003-000264	SCREW-TAPTITE	1	SNA	

5. MEA-Cover Rear



ME-A-Cover Rear Parts List

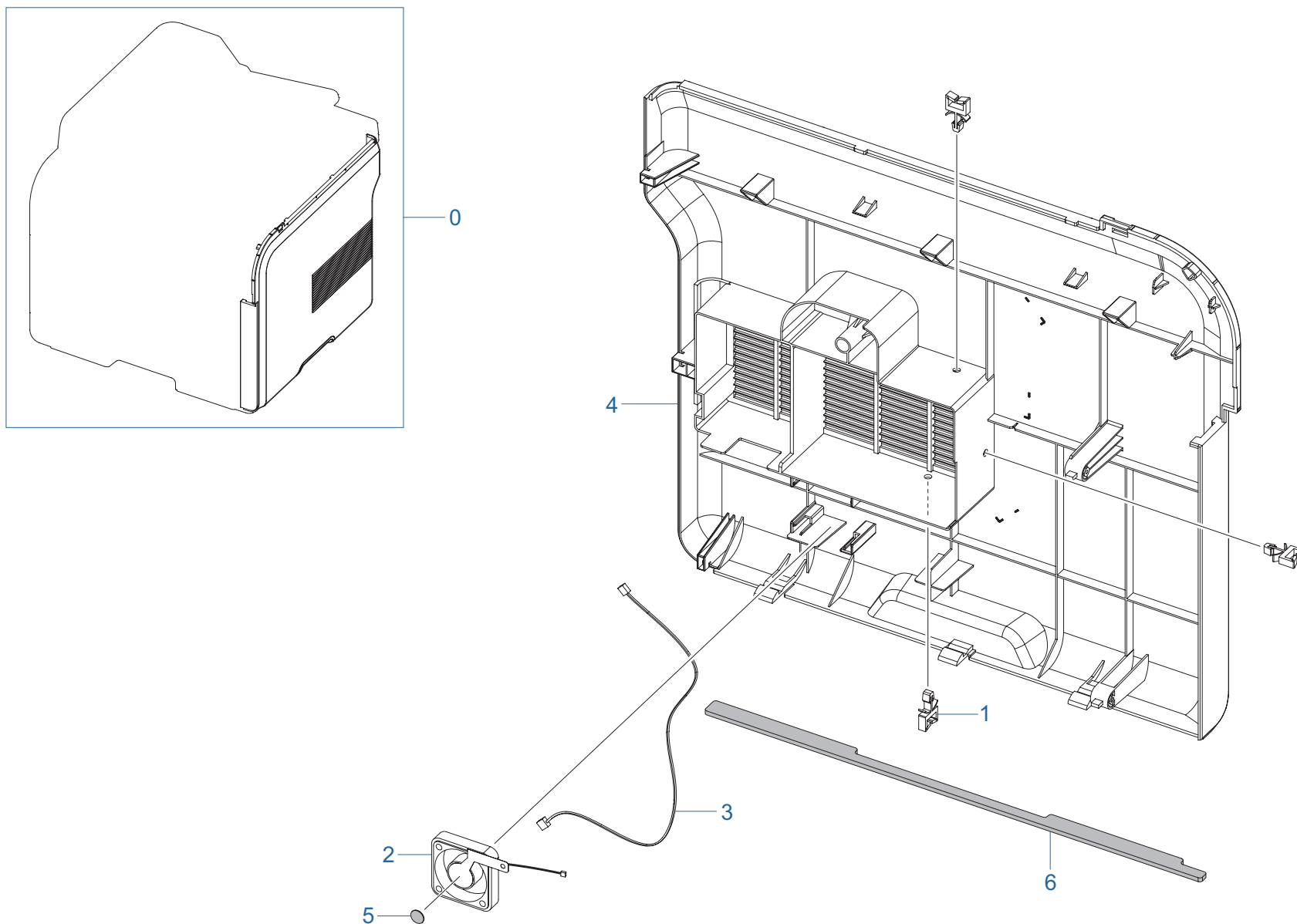
Ver. 1.04

SA : SERVICE AVAILABLE, SNA : SERVICE not AVAILABLE

Drawer#	SEC_Code	Description	QT'y	Service	Remark
0	JC97-03555A	MEA-COVER REAR	1	SA	
1	6003-000196	SCREW-TAPTITE	2	SA	
2	6003-001001	SCREW-TAPTITE	1	SNA	
3	JC61-00785A	HOLDER-M-IDLE ROLLER	2	SA	
4	JC61-00961A	MAGNET-CATCH DELL	1	SNA	
5	JC61-00962A	PLATE-MAGNET CATCH	1	SNA	
6	JC61-01583A	GUIDE-OUTPUT FUSER	1	SNA	
7	JC72-01536A	SPONGE-COVER REAR	2	SNA	
8	JC61-01944A	GUIDE-OUTPUT F UPPER	1	SNA	

Drawer#	SEC_Code	Description	QT'y	Service	Remark
9	JC63-00931F	COVER-REAR	1	SNA	
10	JC63-00936A	COVER-M_FACE UP	1	SNA	
11	JC63-02376A	COVER-REAR STACKER	1	SA	
12	JC63-01098A	SHEET-WNPC	1	SNA	
13	JC68-01669A	LABEL(R)-FUSER	1	SNA	
14	JC68-01668E	LABEL-INFORMATION	1	SNA	
15	JC72-01403A	SPONGE-GUIDE OUTPUT	2	SNA	
16	JC72-40981A	PMO-ROLLER UPPER DP	6	SA	

6. ELA HOU-Cover Side R



ELA HOU-Cover Side R Parts List

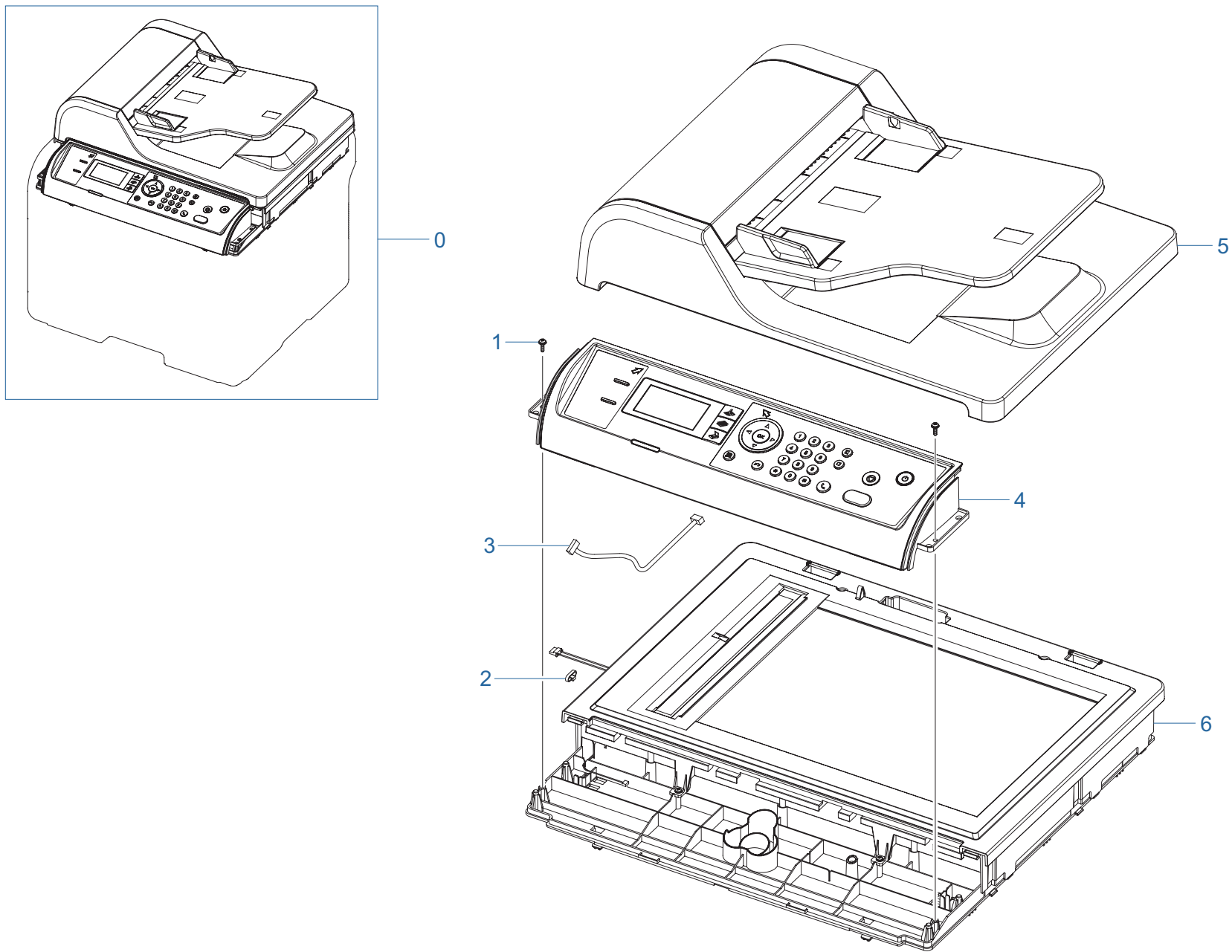
Ver. 1.04

SA : SERVICE AVAILABLE, SNA : SERVICE not AVAILABLE

Drawer#	SEC_Code	Description	QT'y	Service	Remark
0	JC96-05518A	ELA HOU-COVER SIDE R	1	SA	
1	6502-000132	CABLE CLAMP	3	SNA	
2	JC31-00108A	FAN	1	SA	
3	JC39-01061A	HARNESS-SMPS_FAN	1	SA	

Drawer#	SEC_Code	Description	QT'y	Service	Remark
4	JC63-00928A	COVER-M_SIDE R	1	SA	
5	JC68-01760A	LABEL-INFORMATION	1	SNA	
6	JC72-01534A	SPONGE-SIDE BOTTOM R	1	SNA	

7. ELA HOU-Scan



ELA HOU-Scan Parts List

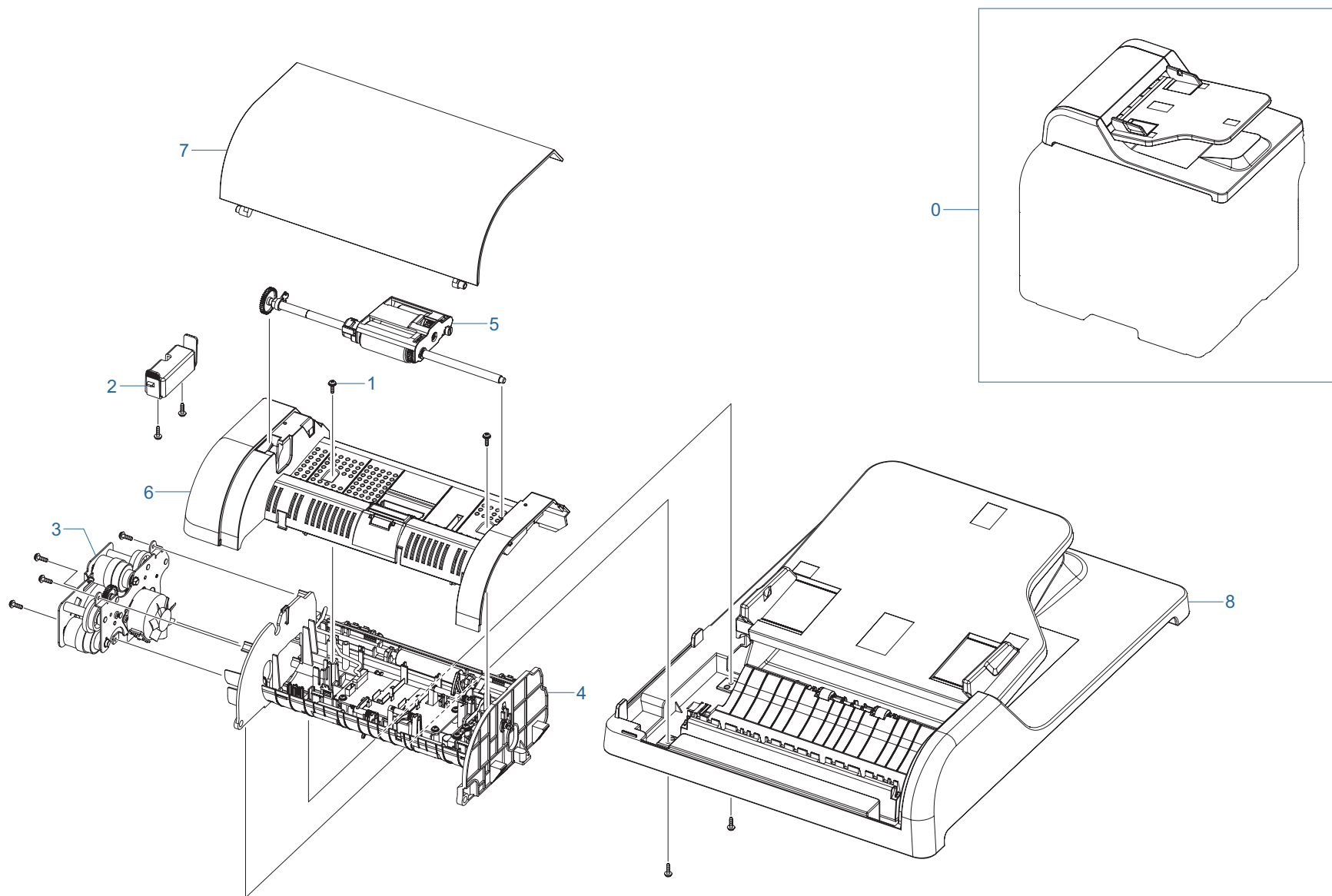
Ver. 1.04

SA : SERVICE AVAILABLE, SNA : SERVICE not AVAILABLE

Drawer#	SEC_Code	Description	QT'y	Service	Remark
0	JC96-05521A	ELA HOU-SCAN	1	SNA	
0	JC96-05521B	ELA HOU-SCAN	1	SNA	5635HN/XIL
1	6003-000196	SCREW-TAPTITE	2	SA	
2	6501-000004	CABLE TIE	1	SA	
3	JC39-01056A	HARNESS-OPE	1	SA	

Drawer#	SEC_Code	Description	QT'y	Service	Remark
4	JC96-05520A	ELA HOU-OPE	1	SNA	
4	JC96-05520B	ELA HOU-OPE	1	SNA	5635HN/XIL
5	JC96-05549A	ELA HOU-ADF	1	SNA	
6	JC96-05551A	ELA HOU-PLATEN	4	SNA	

8. ELA HOU-ADF



ELA HOU-ADF Parts List

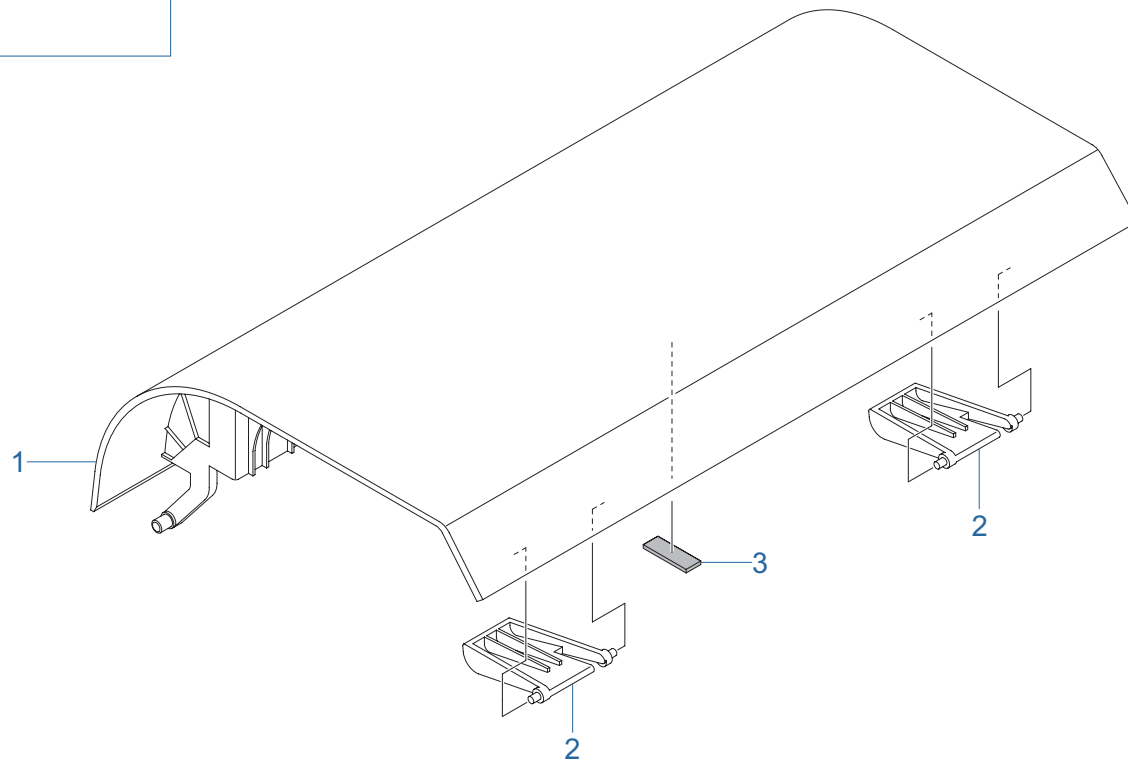
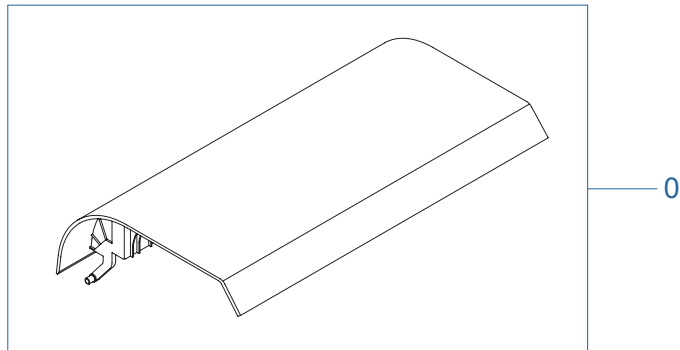
Ver. 1.04

SA : SERVICE AVAILABLE, SNA : SERVICE not AVAILABLE

Drawer#	SEC_Code	Description	QT'y	Service	Remark
0	JC96-05549A	ELA HOU-ADF	1	SNA	
1	6003-000196	SCREW-TAPTITE	10	SA	
2	JC63-00998A	COVER-M_ADF CONNECTOR	1	SNA	
3	JC93-00042A	ELA HOU-ADF MOTOR	1	SA	
4	JC96-05548A	ELA HOU-ADF LOWER	1	SNA	

Drawer#	SEC_Code	Description	QT'y	Service	Remark
5	JC97-01962C	MEA UNIT-PICKUP	1	SA	
6	JC97-02410A	MEA-ADF UPPER	1	SNA	
7	JC97-02411A	MEA-COVER OPEN	1	SA	
8	JC97-02416C	MEA UNIT-COVER PLATEN	1	SA	

9. MEA-Cover Open



MEA-Cover Open Parts List

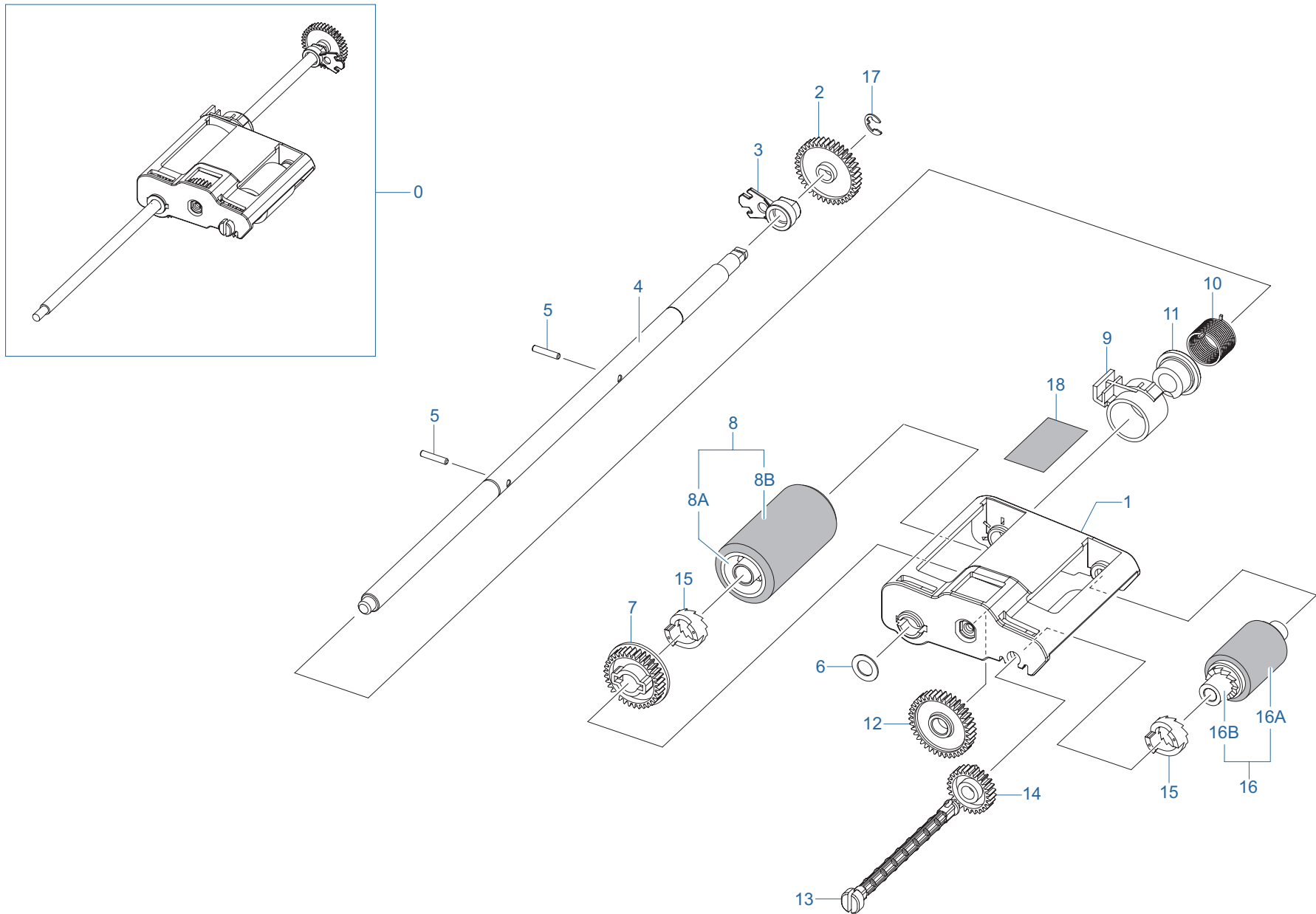
Ver. 1.04

SA : SERVICE AVAILABLE, SNA : SERVICE not AVAILABLE

Drawer#	SEC_Code	Description	QT'y	Service	Remark
0	JC97-02411A	MEA-COVER OPEN	1	SA	
1	JC63-00983A	COVER-M_ADF OPEN	1	SNA	

Drawer#	SEC_Code	Description	QT'y	Service	Remark
2	JB72-00843A	PMO-GUIDE PAPER	2	SA	
3	JC66-00738A	DAMPER-PAD ADF_R2	1	SNA	

10. MEA Unit-Pick Up



MEA Unit-Pick Up Parts List

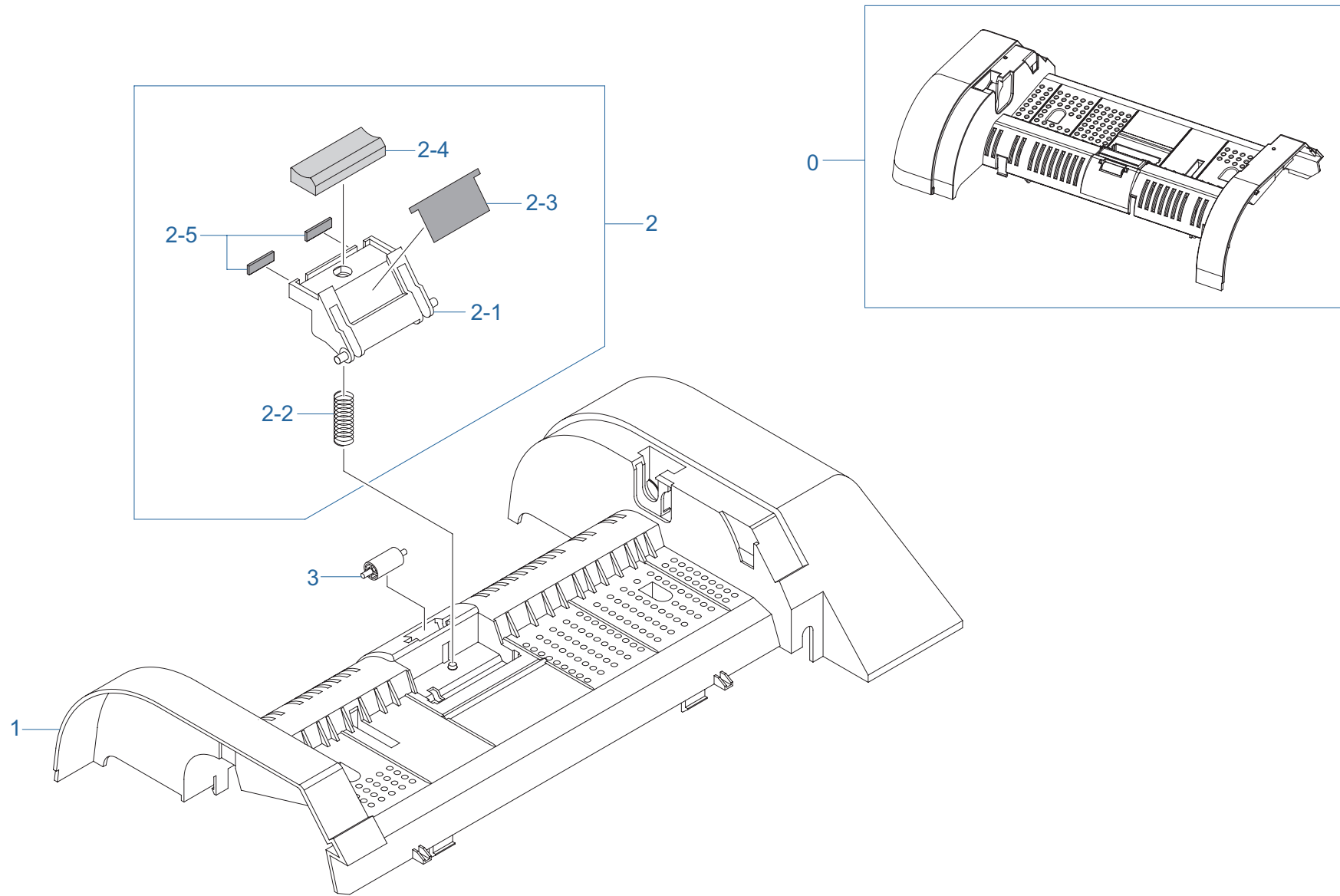
Ver. 1.04

SA : SERVICE AVAILABLE, SNA : SERVICE not AVAILABLE

Drawer#	SEC_Code	Description	QT'y	Service	Remark
0	JC97-01962C	MEA UNIT-PICKUP	1	SA	
1	JC72-00734A	PMO-COVER ADF	1	SA	
2	JB66-00103A	GEAR-ADF 38	1	SA	
3	JC61-00963B	STOPPER-M_PICKUP ADF	1	SA	
4	JC66-00561A	SHAFT-ADF PICKUP	1	SA	
5	JB70-00168A	ICT-PIN ADF	2	SA	
6	6031-000023	WASHER-PLAIN	1	SA	
7	JB66-00104A	GEAR-ADF IDLE 34	1	SA	
8	JB75-00299A	MEC-ADF ROLLER ASSY	1	SA	
8A	JB72-00822A	PMO-SLEEVE ADF	1	SA	
8B	JB73-00054A	RMO-ADF ROLLER	1	SNA	
9	JB72-00821A	PMO-ADF COLAR	1	SA	

Drawer#	SEC_Code	Description	QT'y	Service	Remark
10	JB61-70904A	SPRING ETC-CLUTCH	1	SA	
11	JB72-00817A	PMO-ADF CLUTCH	1	SA	
12	JB66-00102A	GEAR-PICK UP IDEL 38	1	SA	
13	JC72-00744A	PMO-SHAFT PICK UP	1	SA	
14	JB66-00105A	GEAR-PICK UP 26	1	SA	
15	JB72-00845A	PMO-PICK UP CLUTCH SUB	2	SA	
16	JB75-00300A	MEC-PICK UP ROLLER ASSY	1	SA	
16A	JB73-00055A	RMO-PICKUP ROLLER	1	SNA	
16B	JB72-00823A	PMO-SLEEVE PICK UP	1	SA	
17	6044-000159	RING-C	1	SA	
18	JC68-01099A	LABEL(P)-WARNING ADF	1	SNA	

11. MEA-ADF Upper



MEA-ADF Upper Parts List

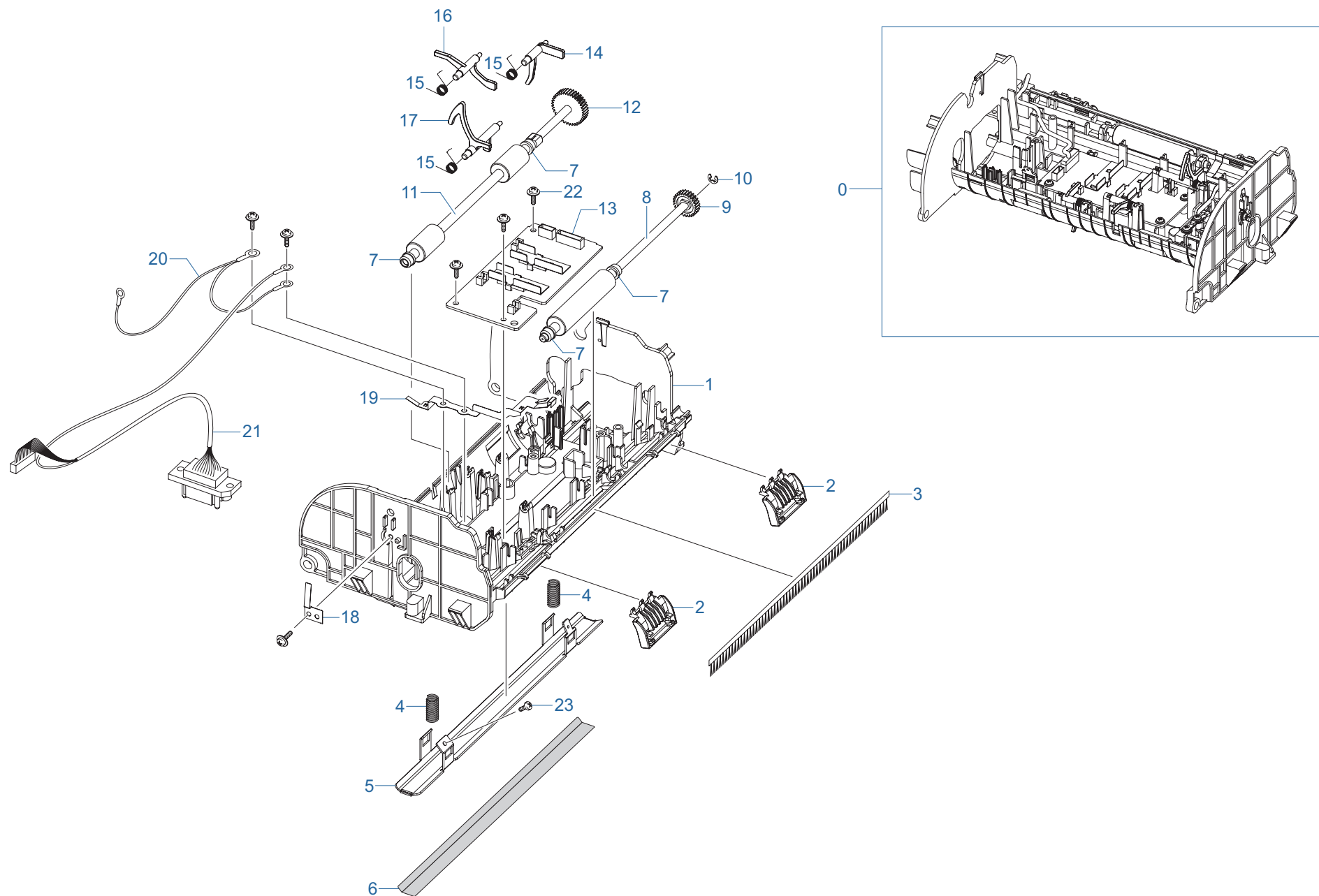
Ver. 1.04

SA : SERVICE AVAILABLE, SNA : SERVICE not AVAILABLE

Drawer#	SEC_Code	Description	QT'y	Service	Remark
0	JC97-02410A	MEA-ADF UPPER	1	SNA	
1	JC63-00985A	COVER-M_ADF UPPER	1	SC	
2	JC97-01940B	MEA UNIT-HOLDER ADF	1	SA	
2-1	JC61-00893B	HOLDER-M_PAD ADF	1	SA	
2-2	JC61-00387A	SPRING ETC-PAD	1	SA	

Drawer#	SEC_Code	Description	QT'y	Service	Remark
2-3	JC63-00373A	SHEET-ADF HOLDER	1	SNA	
2-4	JB73-00052A	RMO-ADF RUBBER	1	SA	
2-5	JC66-00738A	DAMPER-PAD ADF_R2	2	SNA	
3	JC66-00461A	ROLLER-M-ADF IDLE	1	SA	

12. ELA HOU-ADF Lower



ELA HOU-ADF Lower Parts List

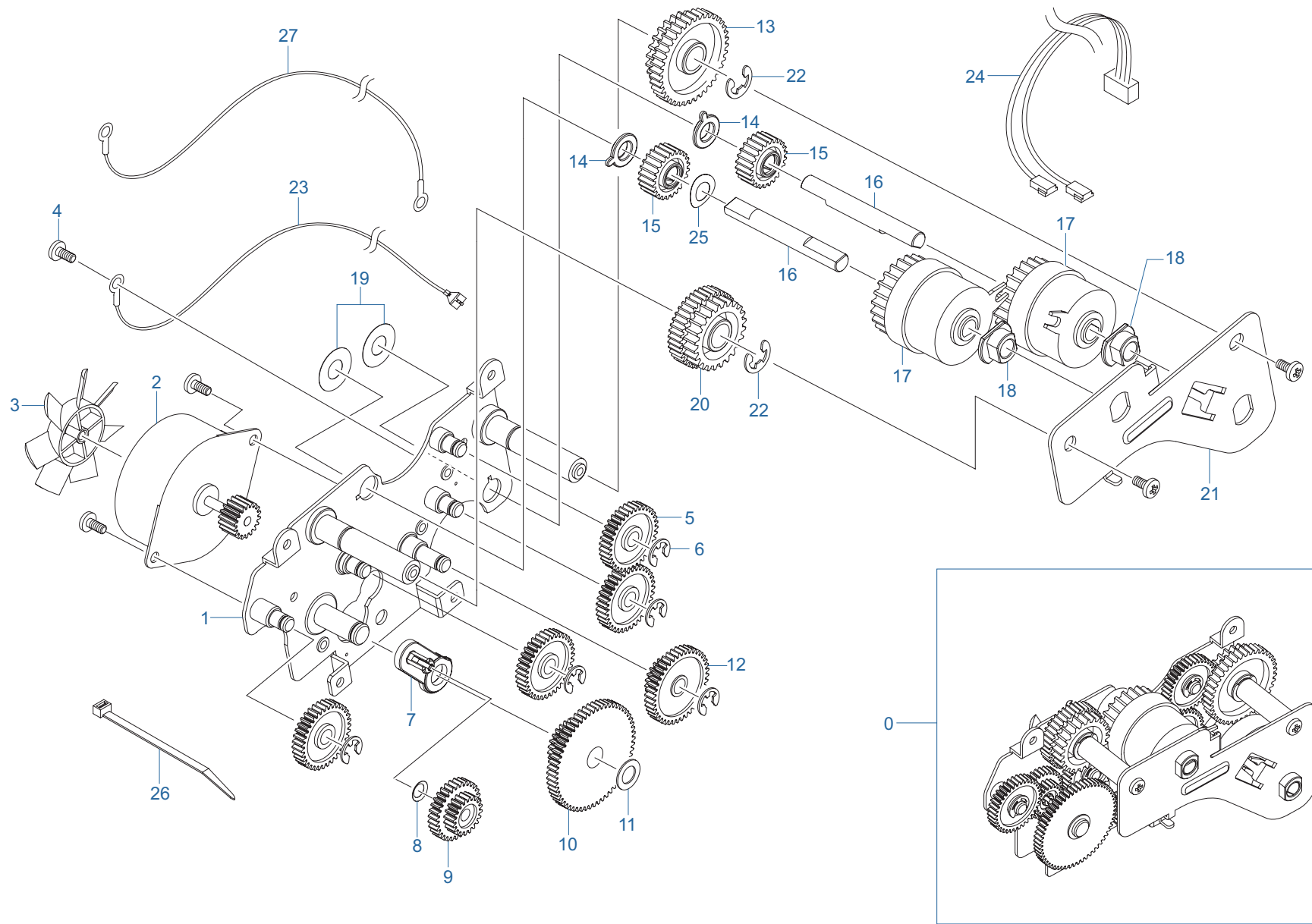
Ver. 1.04

SA : SERVICE AVAILABLE, SNA : SERVICE not AVAILABLE

Drawer#	SEC_Code	Description	QT'y	Service	Remark
0	JC96-05548A	ELA HOU-ADF LOWER	1	SNA	
1	JC63-00982A	COVER-M_ADF LOWER	1	SNA	
2	JC61-00712A	GUIDE-STACKER SUB	2	SA	
3	JC75-00095A	MEC-BRUSH ANTISTATIC	1	SA	
4	JC61-00548A	SPRING ETC-WHITE BAR	2	SA	
5	JC61-01695A	BRACKET-P_WHITE_BAR	1	SA	
6	JC72-00752A	PPR-WHITE BAR SHEET	1	SA	
7	JB72-00819A	PMO-BUSH	4	SA	
8	JC66-00559A	ROLLER-EXIT	1	SA	
9	JC66-00310A	GEAR-AGITATOR-2	1	SA	
10	6044-000159	RING-C	1	SA	
11	JC66-00560A	ROLLER-DRIVE	1	SA	

Drawer#	SEC_Code	Description	QT'y	Service	Remark
12	JC66-00460A	SHAFT-M-FEED GEAR 38	1	SA	
13	JC92-02039A	PBA-ADF	1	SA	
14	JC72-01011A	PMO-ACTUATOR SCAN SENSOR	1	SA	
15	JB61-00076A	SPRING ETC-TORSION DOC (CC2-F)	3	SA	
16	JC72-01010A	PMO-ACTUATOR REGI SENSOR	1	SA	
17	JC72-01320A	PMO-ACT EMPTY ADF	1	SA	
18	JC70-10467A	IPR-GROUND_ROLLER	1	SNA	
19	JC63-00372A	GROUND-P-ADF R2	1	SA	
20	JC39-00534A	CBF HARNESS-ADF R GND	1	SA	
21	JC39-00536A	CBF HARNESS-ADF UPPER	1	SA	
22	6003-000196	SCREW-TAPTITE	6	SA	
23	6003-000269	SCREW-TAPTITE	1	SA	

13. Drive ADF-Bracket



ELA HOU-ADF Motor Parts List

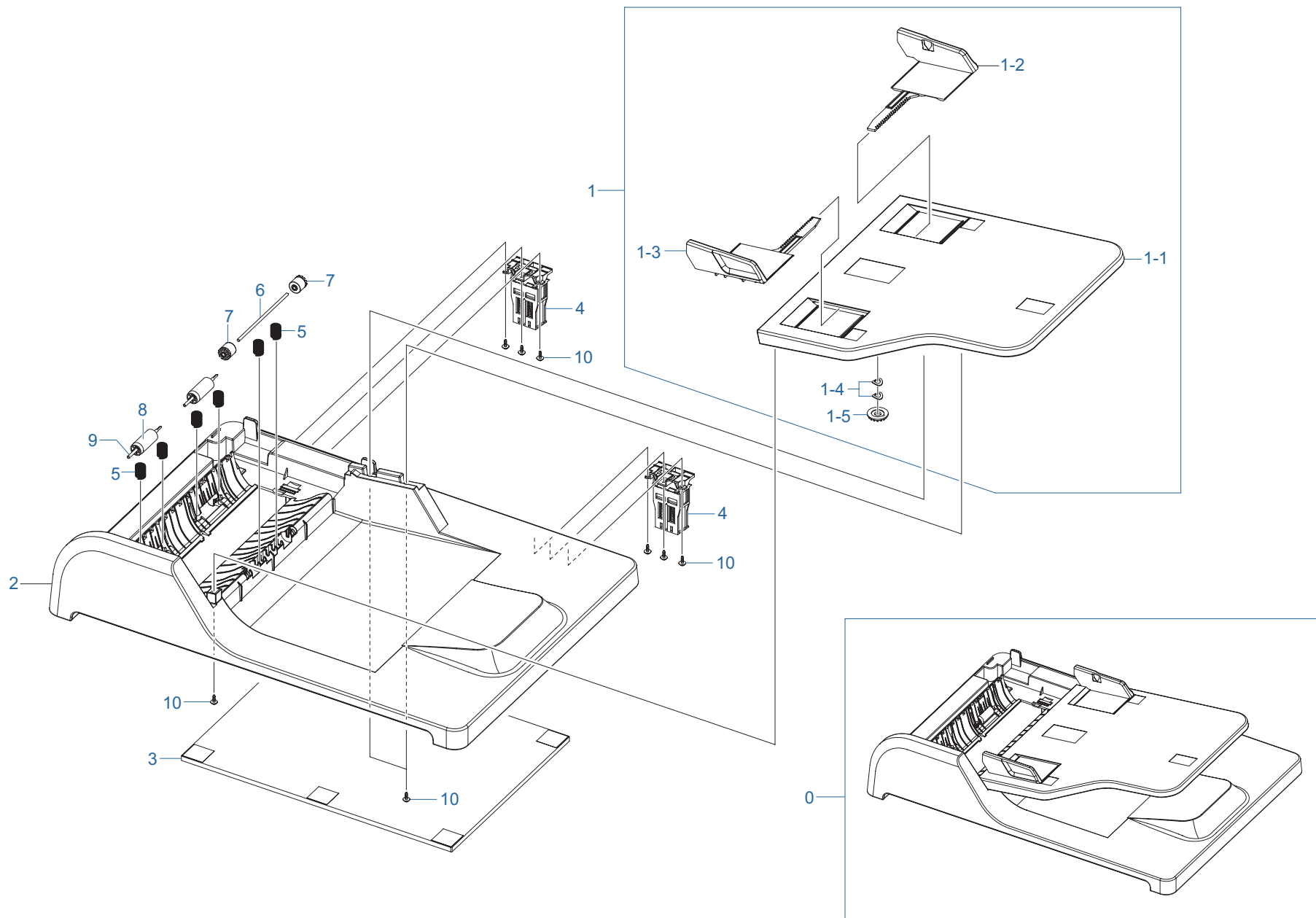
Ver. 1.04

SA : SERVICE AVAILABLE, SNA : SERVICE not AVAILABLE

Drawer#	SEC_Code	Description	QT'y	Service	Remark
0	JC93-00042A	DRIVE ADF-BRACKET	1	SA	
1	JC61-01589A	BRACKET-P-GEAR H	1	SNA	
2	JC31-00036A	MOTOR STEP-ADF	1	SA	
3	JC66-00556A	IMPELLER-ADF	1	SA	
4	6003-000269	SCREW-TAPTITE	5	SA	
5	JC66-00458A	GEAR-IDLE 35 ADF	4	SA	
6	6044-000125	RING-E	5	SC	
7	JC66-01177A	LINK-M_SWING	1	SNA	
8	JB70-00070A	IPR-WASHER WAVE	1	SA	
9	JC66-00457A	GEAR-SWING 31/20 ADF	1	SA	
10	JC66-00455A	GEAR-58/25 ADF	1	SA	
11	6031-000023	WASHER-PLAIN	1	SA	
12	JC66-00456A	GEAR-40/21 ADF	1	SA	
13	JC66-01176A	GEAR-39/29	1	SNA	

Drawer#	SEC_Code	Description	QT'y	Service	Remark
14	JC72-01105A	PMO-BUSHING FEED MID	2	SNA	
15	JC66-01175A	GEAR-24	2	SNA	
16	JC66-00662A	SHAFT-REGI	2	SA	
17	JC66-00972A	CLUTCH-2.5K Z24	2	SA	
18	JC61-00423A	BUSH-6_D	2	SA	
19	JC72-00288B	PPR-SPACER DR R	2	SNA	
20	JC66-01174A	GEAR-40/21	1	SNA	
21	JC63-00995A	COVER-P-CLUTCH	1	SNA	
22	6044-000231	RING-E	2	SA	
23	JC39-00617A	HARNESS-ADF GND	1	SNA	
24	JC39-00538A	CBF HARNESS-ADF CLUT1	1	SA	
25	JF70-10616A	IPR-WASHER SPRING CU	1	SNA	
26	6501-000004	CABLE-TIE	1	SA	
27	JC39-00841A	HARNESS-SCAN GND	1	SA	

14. MEA Unit-Cover Platen



MEA Unit-Cover Platen Parts List

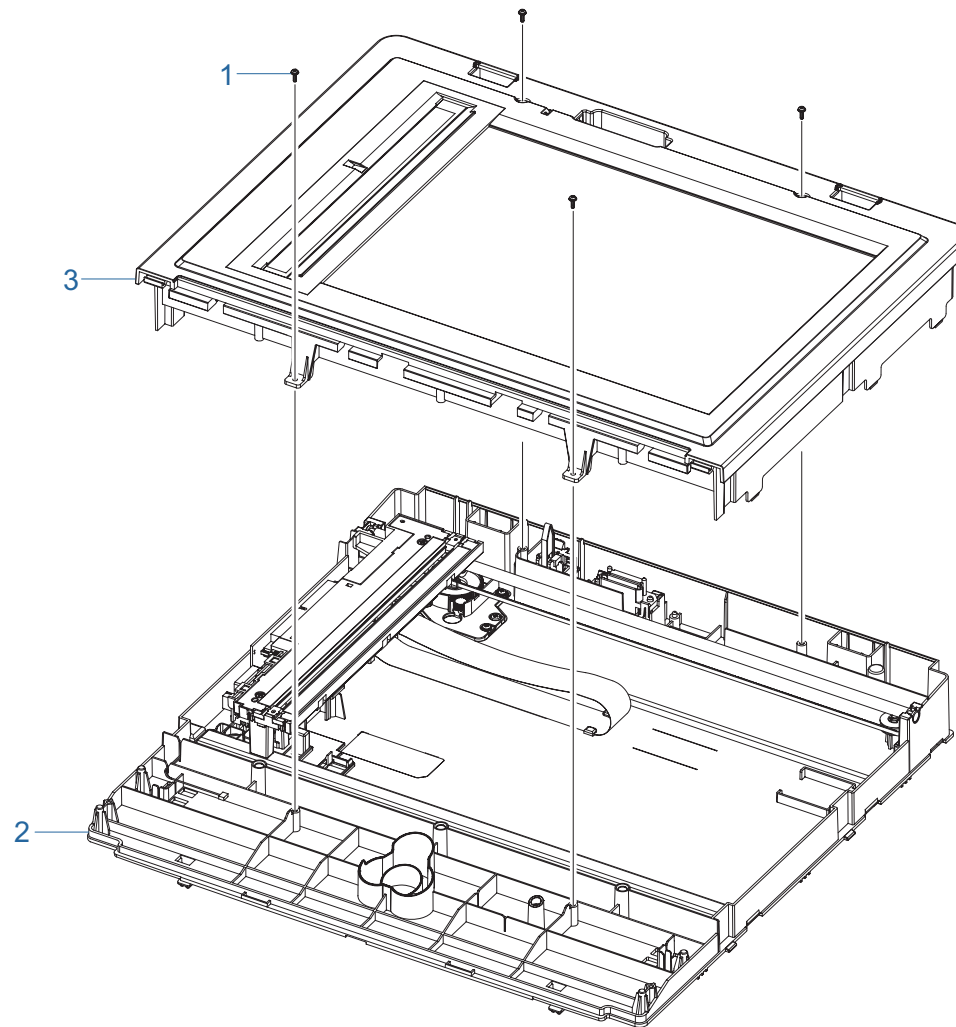
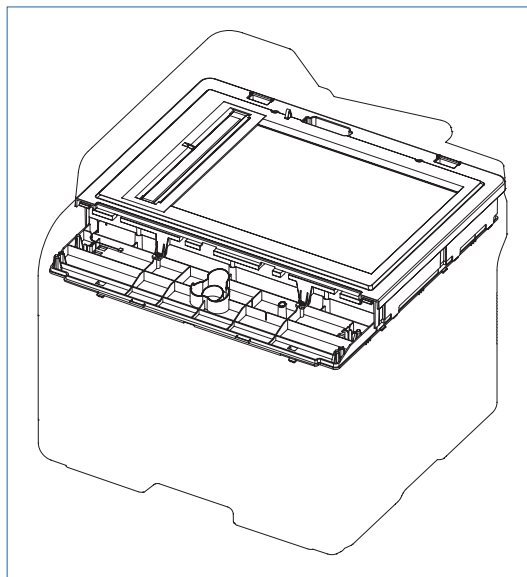
Ver. 1.04

SA : SERVICE AVAILABLE, SNA : SERVICE not AVAILABLE

Drawer#	SEC_Code	Description	QT'y	Service	Remark
0	JC97-02416C	MEA UNIT-COVER PLATEN	1	SA	
1	JC97-02406A	MEA-TX STACKER	1	SC	
1-1	JC63-00988A	COVER-M_STACKER TX	1	SNA	
1-2	JC61-01609A	GUIDE-M_DOCU L	1	SNA	
1-3	JC61-01610A	GUIDE-M_DOCU R	1	SNA	
1-4	JF70-10616A	IPR-WASHER SPRING CU	2	SNA	
1-5	JG66-40003A	GEAR-PINION	1	SA	
2	JC63-00984A	COVER-M_PLATEN	1	SNA	

Drawer#	SEC_Code	Description	QT'y	Service	Remark
3	JC63-00209A	SHEET-WHITE SPONGE	1	SC	
4	JC97-02779A	MEA UNIT-HINGE	2	SA	
5	JC61-00011A	SPRING ETC-FEED	6	SA	
6	JF70-40521B	ICT-SHAFT PINCH	1	SNA	
7	JG72-40663A	PMO-ROLL PINCH	2	SA	
8	JC66-00728A	ROLLER-ADF FEED	2	SA	
9	JC66-00909A	SHAFT-IDLE FEED	2	SA	
10	6003-000196	SCREW-TAPTITE	9	SA	

15. ELA HOU-Platen



ELA HOU-Platen Parts List

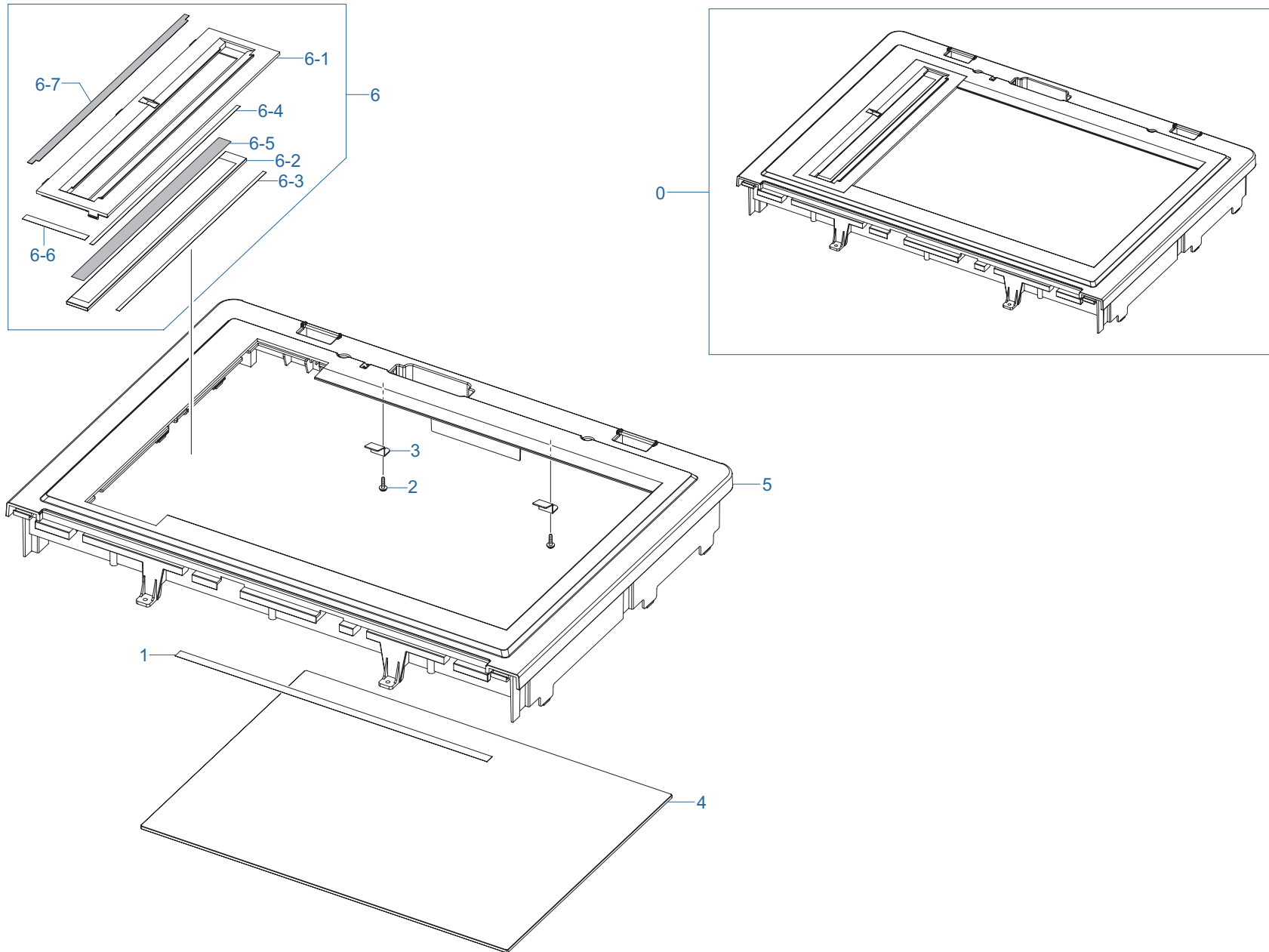
Ver. 1.04

SA : SERVICE AVAILABLE, SNA : SERVICE not AVAILABLE

Drawer#	SEC_Code	Description	QT'y	Service	Remark
0	JC96-05551A	ELA HOU-PLATEN	1	SNA	
1	6003-000196	SCREW-TAPTITE	4	SA	

Drawer#	SEC_Code	Description	QT'y	Service	Remark
2	JC96-05550A	ELA HOU-SCAN LOWER	1	SNA	
3	JC97-02412A	MEA-SCAN UPPER	1	SA	

16. MEA-Scan Upper



ME-Scan Upper Parts List

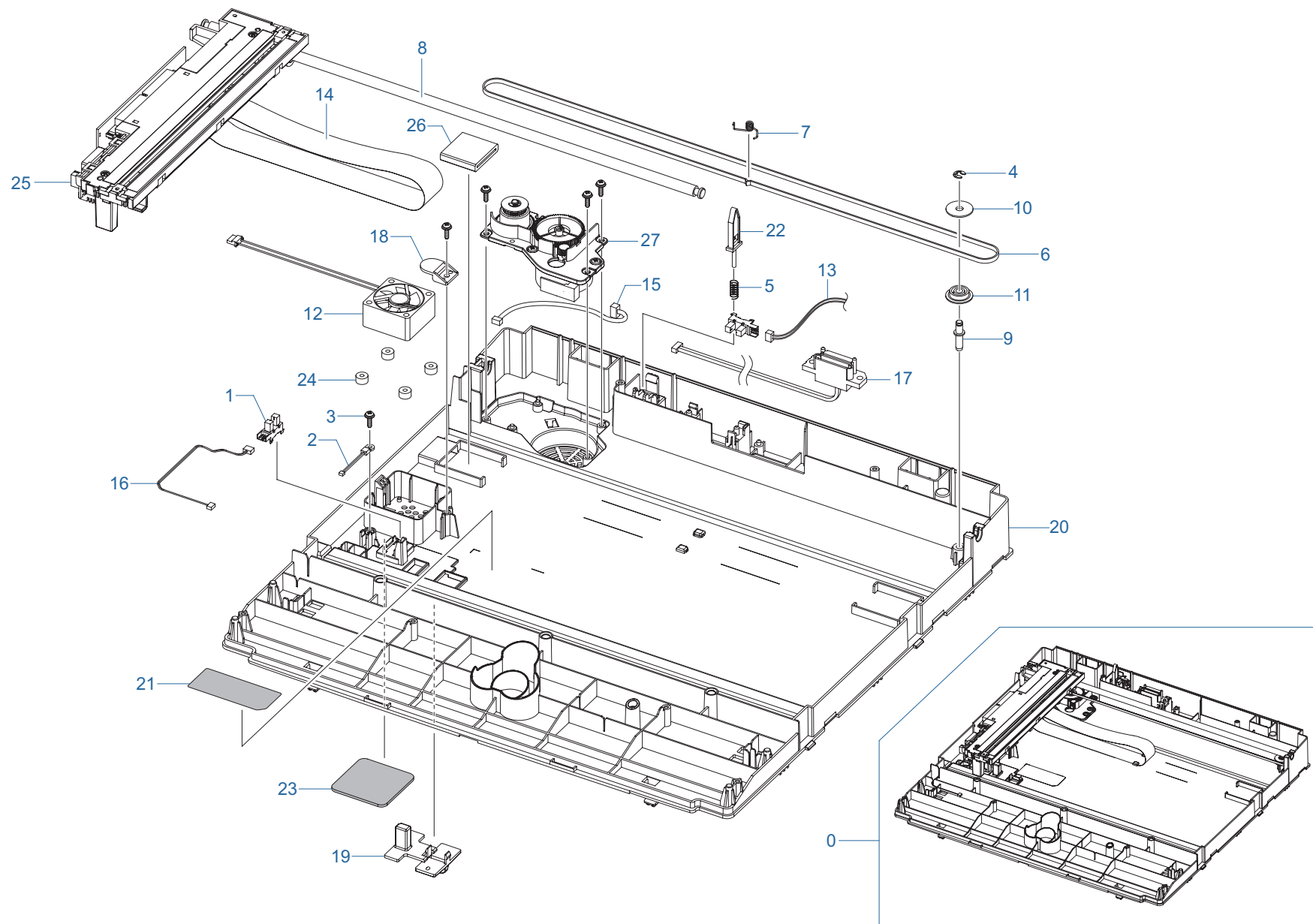
Ver. 1.04

SA : SERVICE AVAILABLE, SNA : SERVICE not AVAILABLE

Drawer#	SEC_Code	Description	QT'y	Service	Remark
0	JC97-02412A	MEA-SCAN UPPER	1	SA	
1	0203-001267	TAPE-DOUBLE FACE	1	SNA	
2	6002-000440	SCREW-TAPPING	2	SNA	
3	JB70-00148A	IPR-HOLDER GLASS	2	SA	
4	JC01-00001A	GLASS-SCAN	1	SA	
5	JC63-00990A	COVER-M_SCAN UPPER	1	SNA	
6	JC97-02429A	MEA UNIT-SCAN DUMMY	1	SA	

Drawer#	SEC_Code	Description	QT'y	Service	Remark
6-1	JC63-00152F	COVER-M_SCAN DUMMY	1	SC	
6-2	JC74-00021A	MCT-GLASS ADF	1	SA	
6-3	0203-001266	TAPE-DOUBLE FACE	1	SNA	
6-4	0203-001744	TAPE-DOUBLE FACE	1	SNA	
6-5	JB68-00644A	LABEL(P)-SHADING	1	SA	
6-6	JC02-00013A	TAPE ETC-DOUBLE TAPE SMALL	1	SNA	
6-7	JC63-01152A	SHEET-ADF GLASS	1	SNA	

17. ELA HOU-Scan Lower



ELA HOU-Scan Lower Parts List

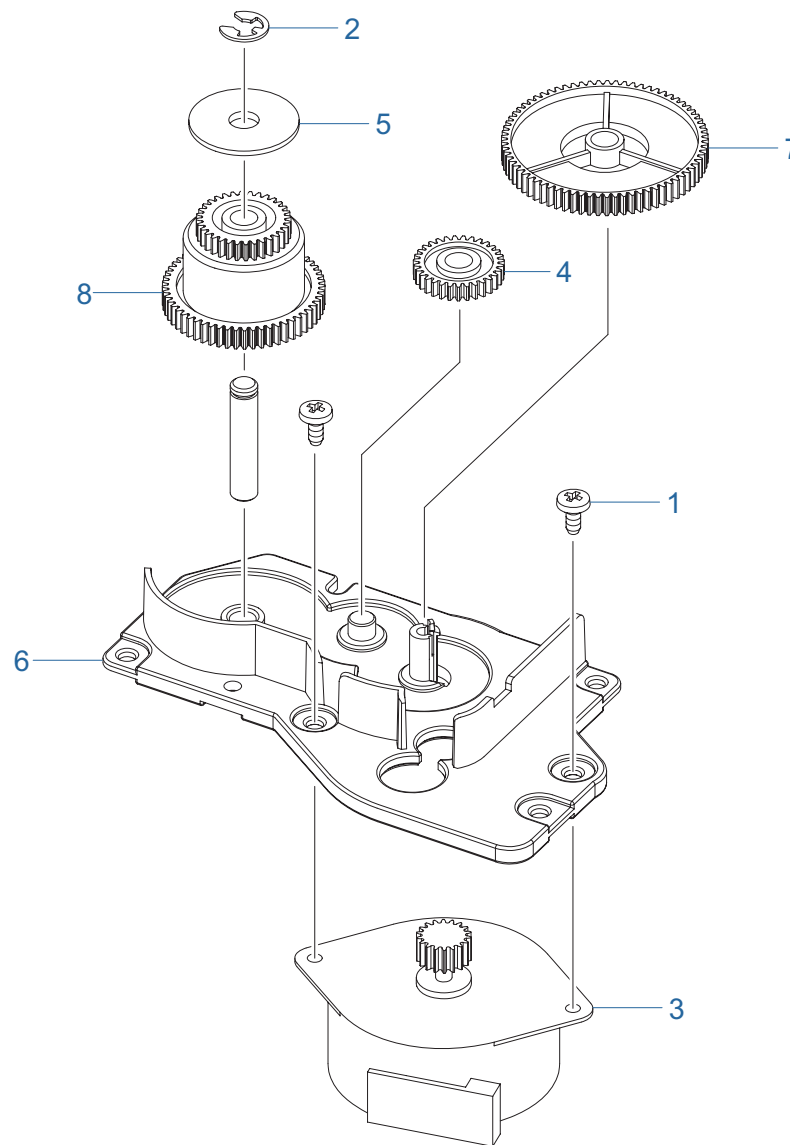
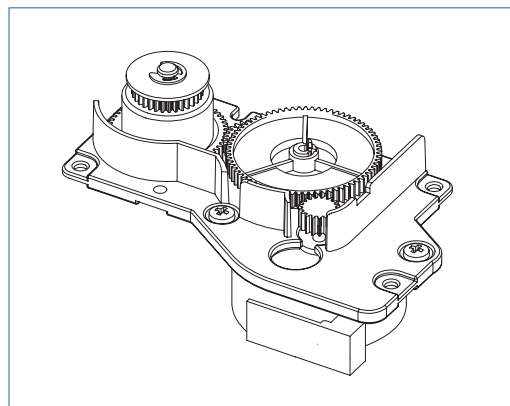
Ver. 1.04

SA : SERVICE AVAILABLE, SNA : SERVICE not AVAILABLE

Drawer#	SEC_Code	Description	QT'y	Service	Remark
0	JC96-05550A	ELA HOU-SCAN LOWER	1	SNA	
1	0604-001095	PHOTO-INTERRUPTER	2	SA	
2	1404-001417	THERMISTOR-NTC ASSY	1	SA	
3	6003-000196	SCREW-TAPTITE	5	SA	
4	6044-000125	RING-E	1	SC	
5	6107-001135	SPRING-CS	1	SA	
6	6602-001067	BELT-TIMING GEAR	1	SA	
7	JB61-00059A	SPRING ETC-BELT	1	SA	
8	JB70-00145A	ICT-SHAFT CCD	1	SNA	
9	JB70-00154A	ICT-INSERT SHAFT	1	SNA	
10	JB72-00763A	PMO-PULLEY	1	SA	
11	JB72-00764A	PMO-HOLDER BELT	1	SA	
12	JC31-00085A	FAN-DC	1	SA	
13	JC39-00887A	HARNESS-F_COVER_OPEN	1	SA	

Drawer#	SEC_Code	Description	QT'y	Service	Remark
14	JC39-01002A	FLAT CABLE	1	SNA	
15	JC39-01007A	HARNESS-SCAN_MOTOR	1	SA	
16	JC39-01057A	HARNESS-CCD_HOME	1	SA	
17	JC39-01060A	HARNESS-ADF LOWER	1	SA	
18	JC61-00667A	STOPPER-M-FAN80	1	SA	
19	JC61-00894B	HOLDER-M_CCD	1	SA	
20	JC63-00989A	COVER-M_SCAN LOWER	1	SNA	
21	JC68-01702A	LABEL-CAUTION	1	SNA	
22	JC72-00755A	PMO-LEVER SENSOR	1	SA	
23	JC72-01543A	SPONGE-CCDM_FAN	1	SNA	
24	JC72-01546A	SPONGE-DAMPER_FAN	4	SNA	
25	JC96-03819A	ELA HOU-CCDM_2905	1	SA	
26	JC96-04726A	ELA UNIT-CORE	1	SA	
27	JC96-04918A	ELA HOU-SCAN MOTOR	1	SA	

18. ELA HOU-Scan Motor



ELA HOU-Scan Motor Parts List

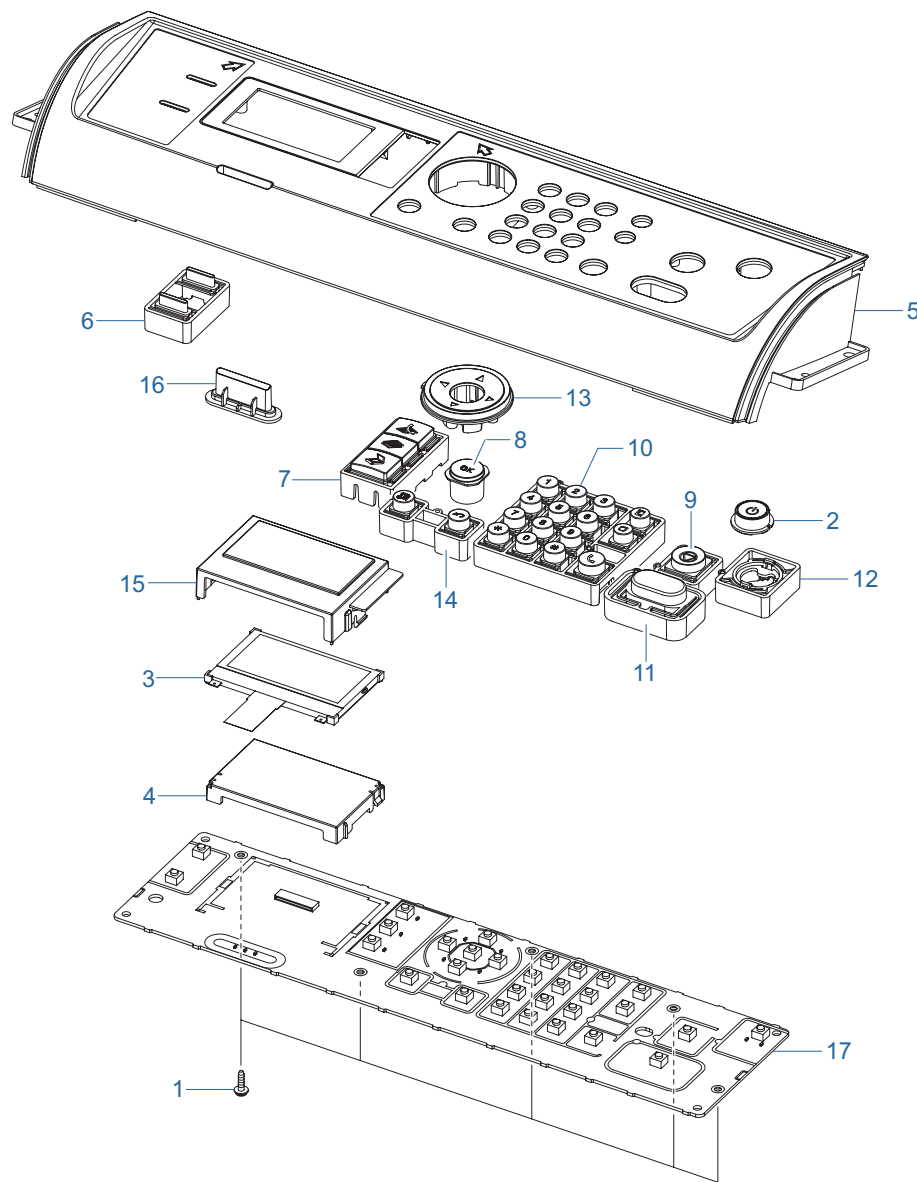
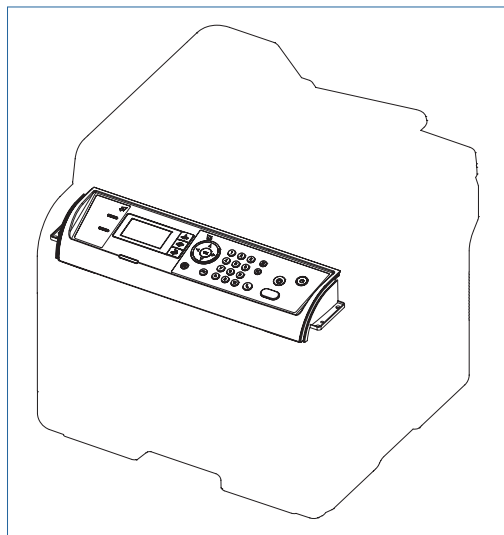
Ver. 1.04

SA : SERVICE AVAILABLE, SNA : SERVICE not AVAILABLE

Drawer#	SEC_Code	Description	QT'y	Service	Remark
0	JC96-04918A	ELA HOU-SCAN MOTOR	1	SA	
1	6003-000269	SCREW-TAPTITE	2	SA	
2	6044-000125	RING-E	1	SC	
3	JC31-00104A	MOTOR STEP	1	SA	
4	JB66-00083A	GEAR-IDLE	1	SA	

Drawer#	SEC_Code	Description	QT'y	Service	Remark
5	JB72-00764A	PMO-HOLDER BELT	1	SA	
6	JC61-00895A	BRACKET-SCAN MOTOR R2	1	SA	
7	JC66-00530A	GEAR-REDUCTION73/37	1	SA	
8	JC66-00531A	GEAR-TIMING	1	SA	

19. ELA HOU-OPE



ELA HOU-OPE Parts List

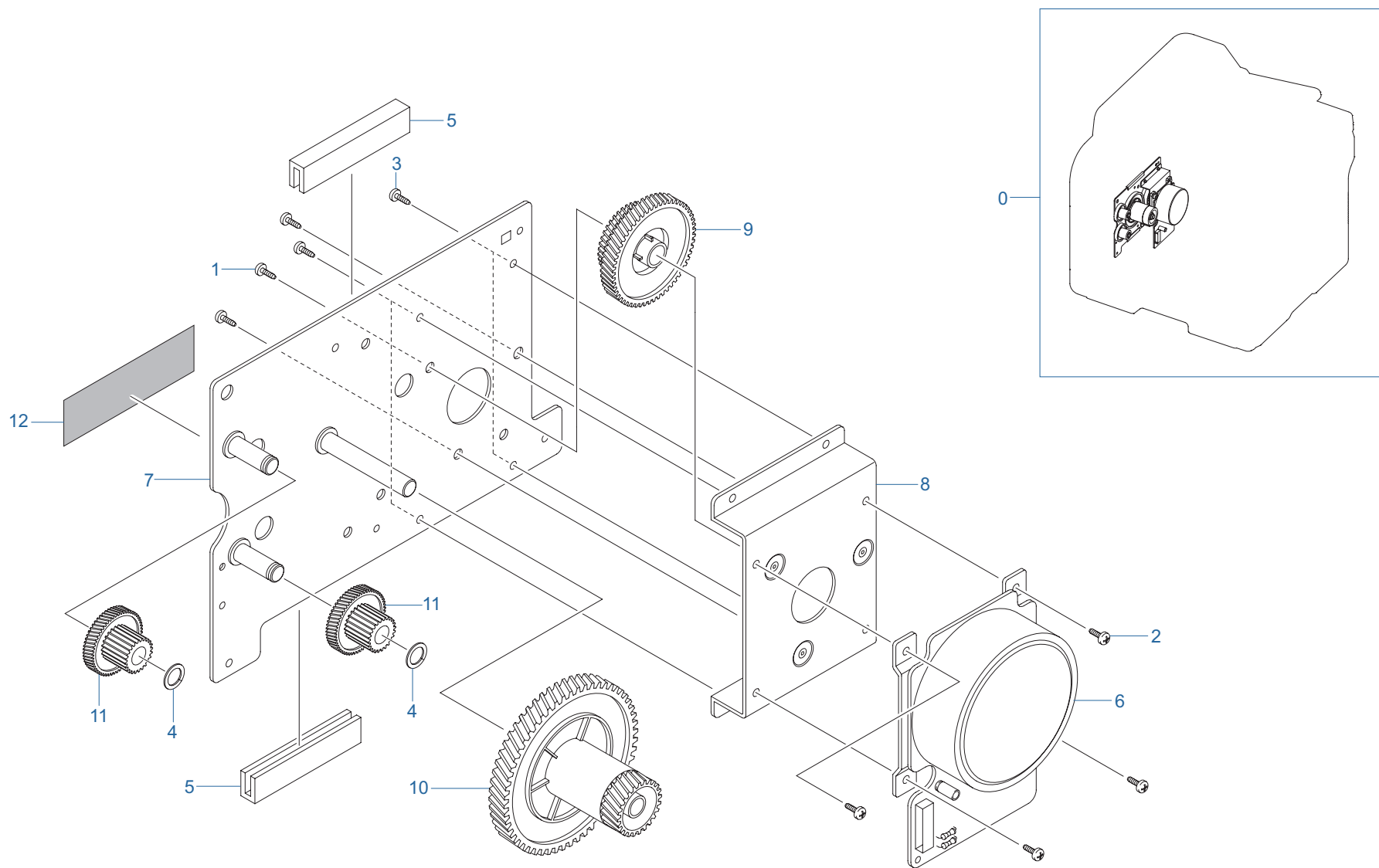
Ver. 1.04

SA : SERVICE AVAILABLE, SNA : SERVICE not AVAILABLE

Drawer#	SEC_Code	Description	QT'y	Service	Remark
0	JC96-05520A	ELA HOU-OPE	1	SNA	
1	6003-000196	SCREW-TAPTITE	5	SA	
2	JB64-00114C	KEY-POWER	1	SNA	
3	JC07-00012A	LCD	1	SA	
4	JC61-02827A	HOLDER-LCD	1	SA	
5	JC63-02125A	COVER-OPE	1	SA	
6	JC64-00386C	KEY-EXTRA	1	SNA	
7	JC64-00387C	KEY-FAX	1	SNA	
8	JC64-00389C	KEY-OK	1	SNA	

Drawer#	SEC_Code	Description	QT'y	Service	Remark
9	JC64-00393C	KEY-STOP	1	SNA	
10	JC64-00394C	KEY-TEL	1	SNA	
11	JC64-00410B	KEY-START	1	SNA	
12	JC64-00443A	KEY-POWER_B	1	SNA	
13	JC64-00445B	KEY-CIRCLE	1	SNA	
14	JC64-00447A	KEY-BACK	1	SA	
15	JC67-00348A	CAP-LCD	1	SA	
16	JC67-00349A	LENS-STATUS	1	SA	
17	JC92-02109A	PBA-OPE	1	SA	

20. ELA Unit-Main Drive



ELA Unit-Main Drive Parts List

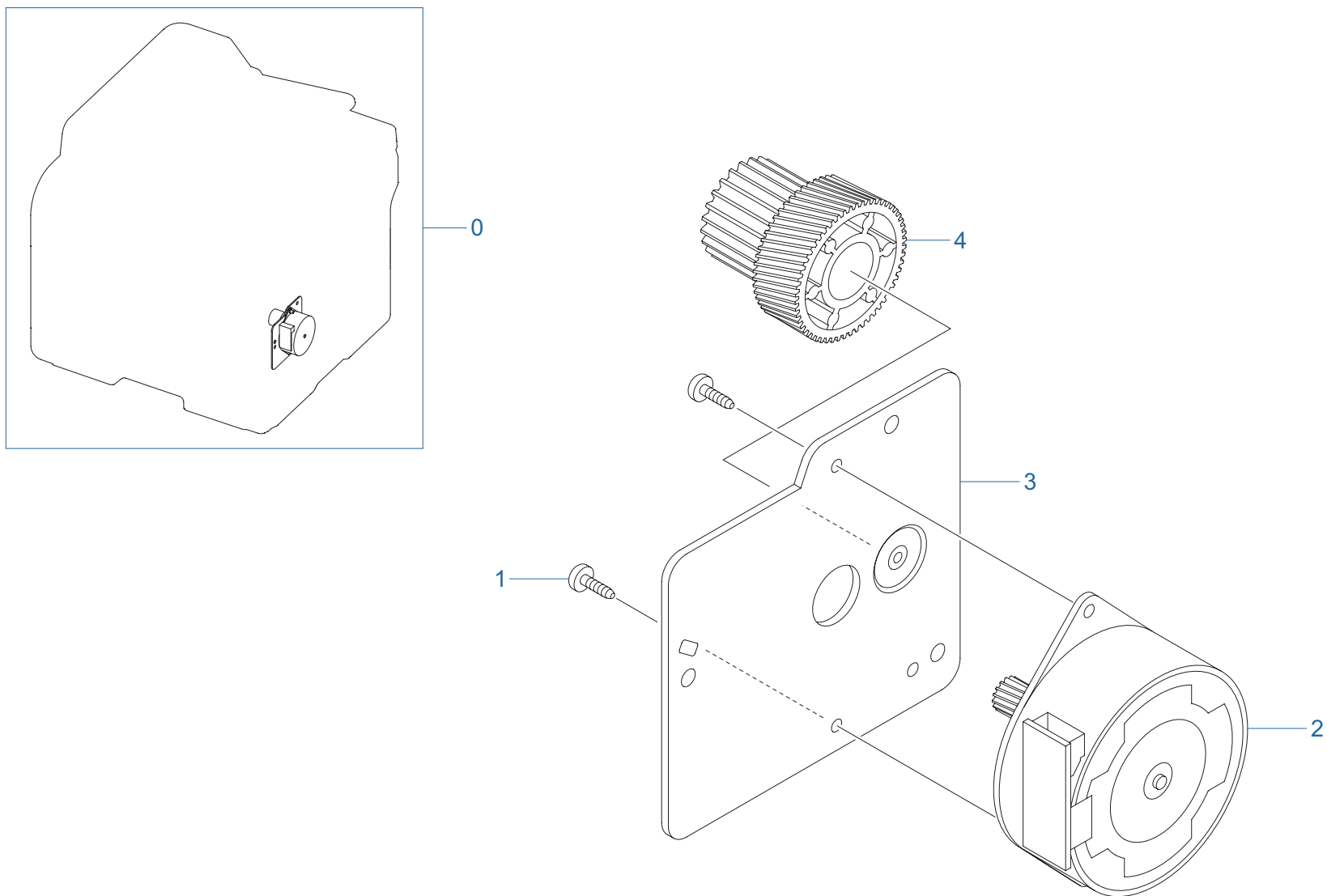
Ver. 1.04

SA : SERVICE AVAILABLE, SNA : SERVICE not AVAILABLE

Drawer#	SEC_Code	Description	QT'y	Service	Remark
0	JC96-03761B	ELA UNIT-MAIN DRIVE	1	SA	
1	6001-000130	SCREW-MACHINE	3	SNA	
2	6003-000301	SCREW-TAPTITE	4	SNA	
3	6003-000269	SCREW-TAPTITE	4	SA	
4	6031-000023	WASHER-PLAIN	2	SA	
5	6302-001056	GASKET	0.4	SNA	
6	JC31-00101A	MOTOR BLDC	1	SA	

Drawer#	SEC_Code	Description	QT'y	Service	Remark
7	JC61-01593A	BRACKET-P-GEAR MAIN	1	SNA	
8	JC61-01597A	BRACKET-P-MOTOR MAIN	1	SNA	
9	JC66-01156A	GEAR-OPC RDCN 93/61	1	SNA	
10	JC66-01157A	GEAR-OPC DRV 113/33	1	SNA	
11	JC66-01162A	GEAR-FEED RDCN 55/18	2	SNA	
12	JC68-01381B	LABEL(R)-PPID(DEVE)	1	SNA	

21. ELA Unit-Duplex Drive



ELA Unit-Duplex Drive Parts List

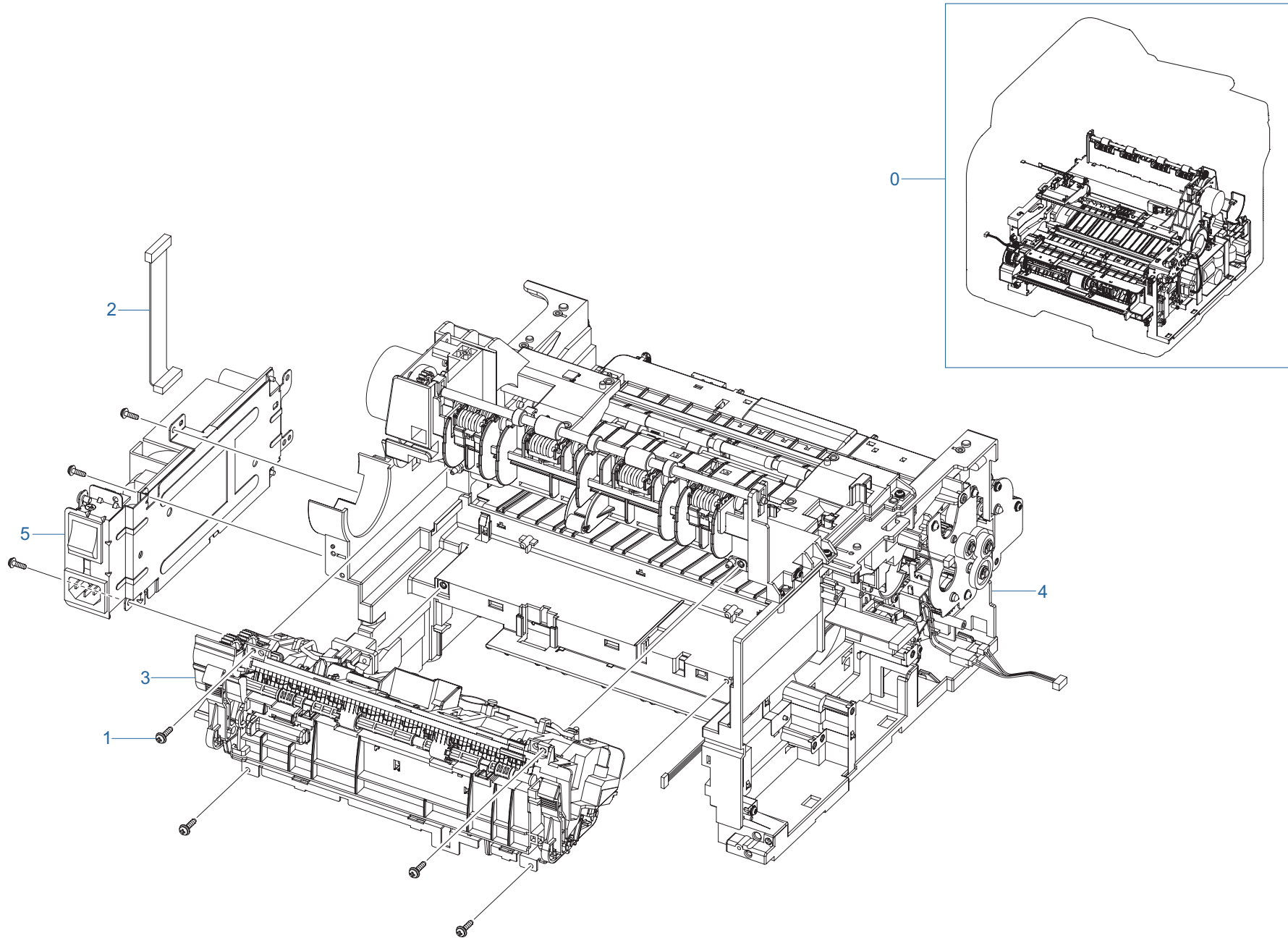
Ver. 1.04

SA : SERVICE AVAILABLE, SNA : SERVICE not AVAILABLE

Drawer#	SEC_Code	Description	QT'y	Service	Remark
0	JC96-03762B	ELA UNIT-DUPLEX DRIVE	1	SA	
1	6001-000130	SCREW-MACHINE	2	SNA	
2	JC31-00103A	MOTOR STEP	1	SA	

Drawer#	SEC_Code	Description	QT'y	Service	Remark
3	JC61-01599A	BRACKET-P-GEAR DUP	1	SNA	
4	JC66-01159A	GEAR DUP RDCN 45/19	1	SNA	

22. ELA HOU-Frame



ELA HOU-Frame Parts List

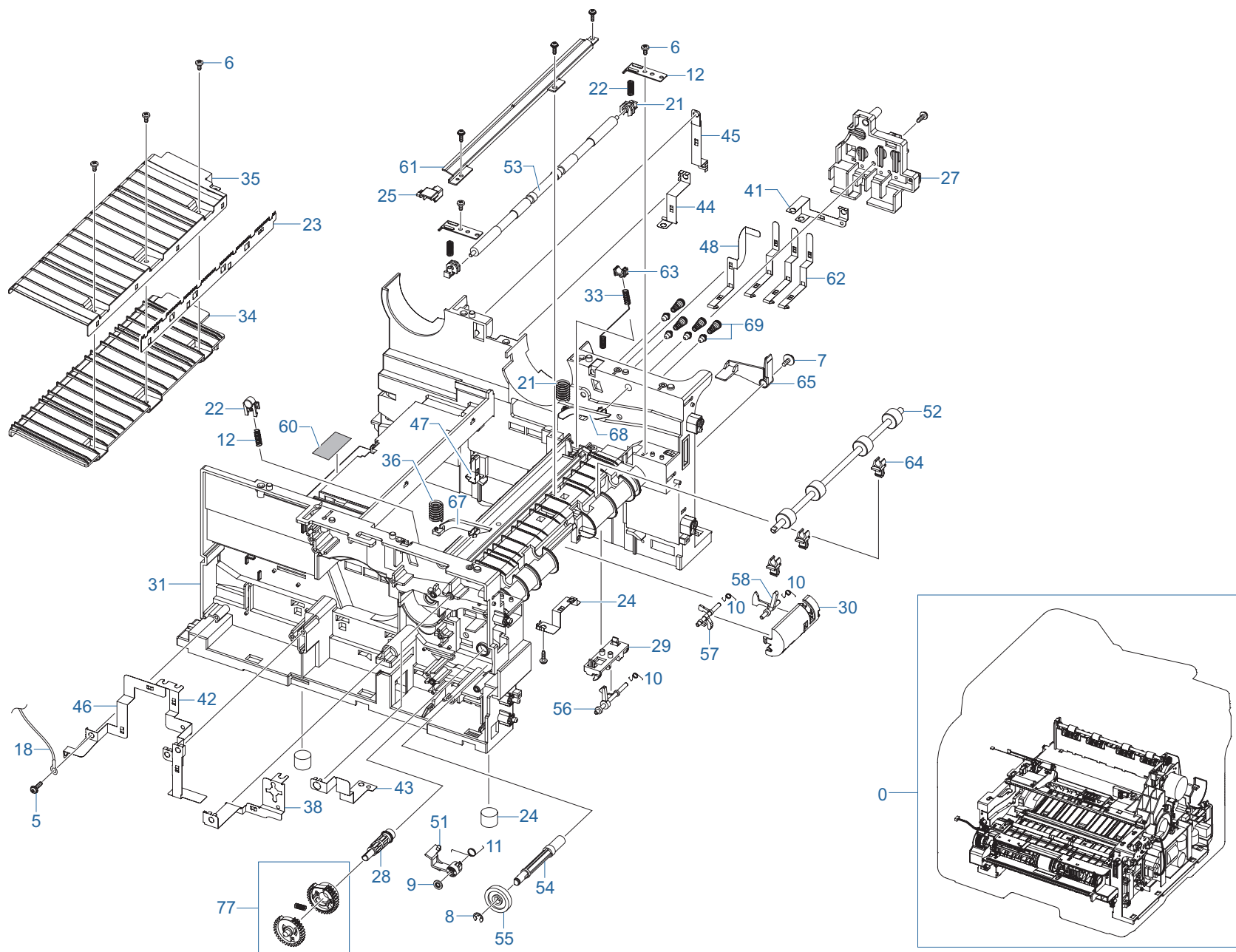
Ver. 1.04

SA : SERVICE AVAILABLE, SNA : SERVICE not AVAILABLE

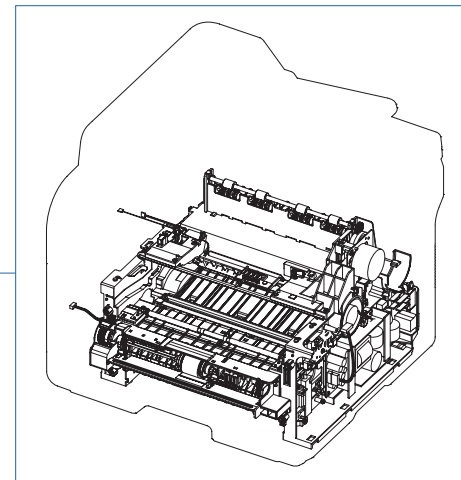
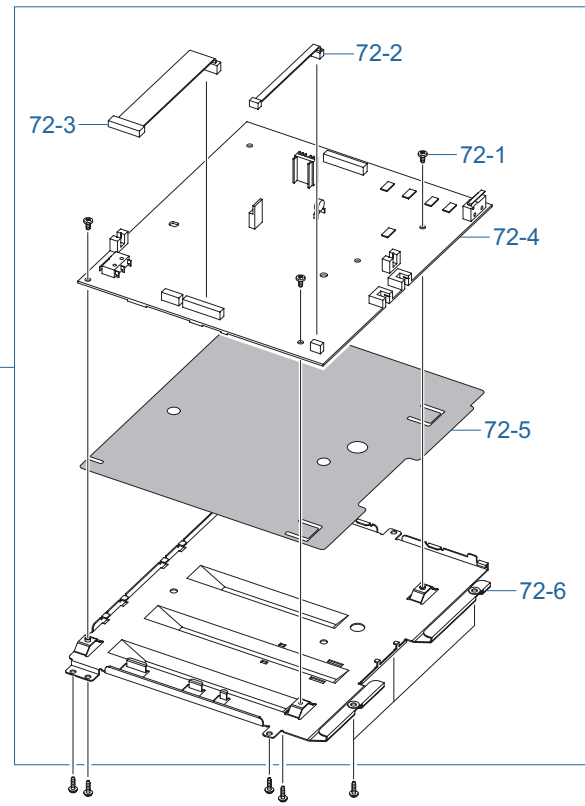
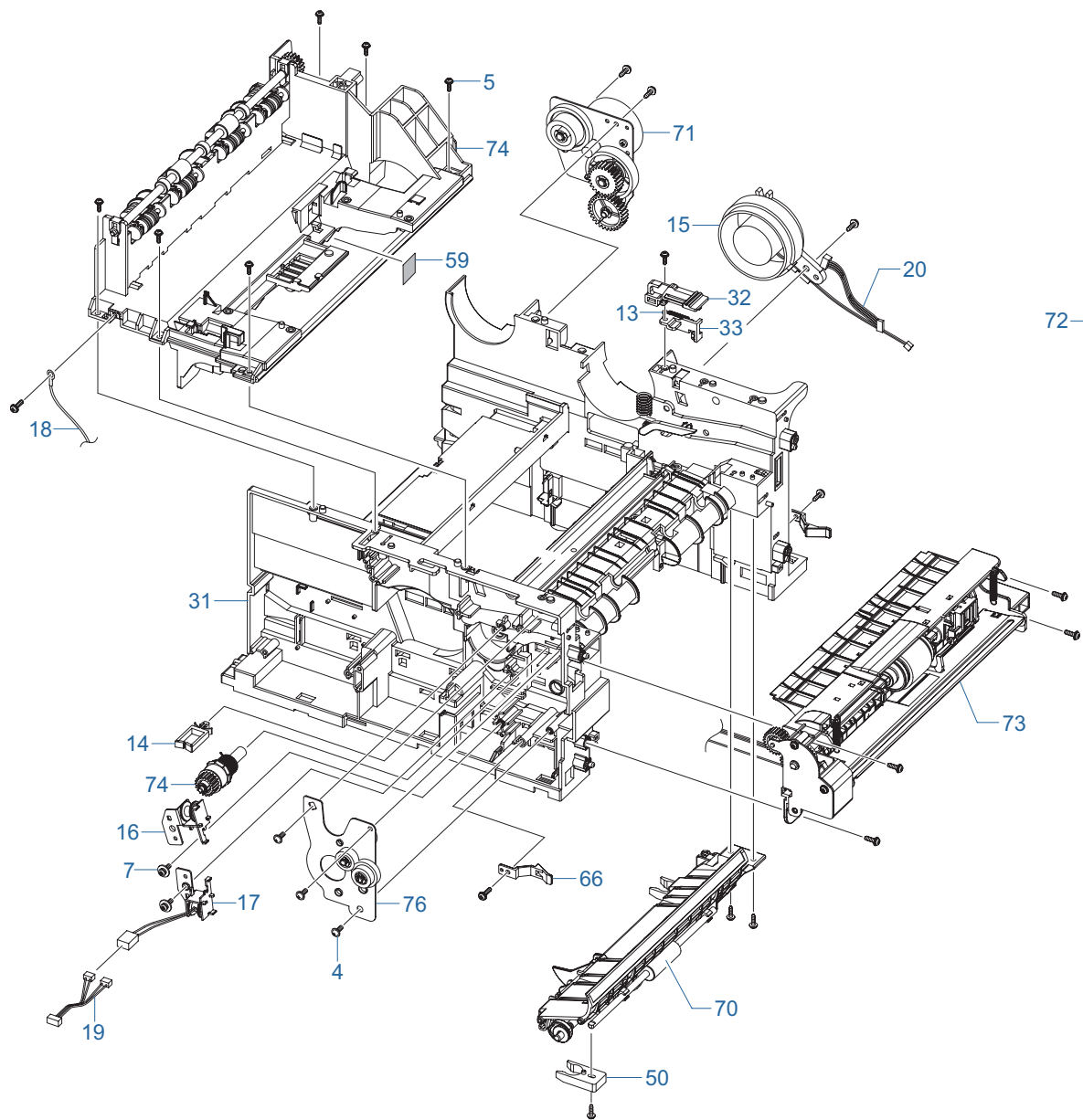
Drawer#	SEC_Code	Description	QT'y	Service	Remark
0	JC96-05516A	ELA HOU-FRAME	1	SNA	110V
0	JC96-05517A	ELA HOU-FRAME	1	SNA	220V
1	6003-000196	SCREW-TAPTITE	9	SA	
2	JC39-00862A	HARNES-SMPS	1	SA	
3	JC91-00929A	FUSER-ROLLER	1	SA	110V

Drawer#	SEC_Code	Description	QT'y	Service	Remark
3	JC91-00928A	FUSER-ROLLER	1	SA	220V
4	JC96-05515A	ELA HOU-FRAME ETC	1	SNA	
5	JC96-05621A	ELA HOU-SMPS_V1	1	SNA	110V
5	JC96-05622A	ELA HOU-SMPS_V2	1	SNA	220V

23. ELA HOU-Frame Etc.1



ELA HOU-Frame Etc.2



ELA HOU-Frame Parts List

Ver. 1.04

SA : SERVICE AVAILABLE, SNA : SERVICE not AVAILABLE

Drawer#	SEC_Code	Description	QT'y	Service	Remark
0	JC96-05515A	ELA HOU-FRAME ETC	1	SNA	
4	6002-000440	SCREW-TAPPING	4	SNA	
5	6003-000196	SCREW-TAPTITE	34	SA	
6	6003-000282	SCREW-TAPTITE	5	SNA	
7	6006-001078	SCREW-TAPTITE	3	SNA	
8	6044-000001	RING-CS	1	SA	
9	6044-000125	RING-E	1	SC	
10	6107-001164	SPRING-TS	3	SA	
11	6107-001352	SPRING-TS	1	SA	
12	6107-001370	SPRING-CS	1	SA	
13	6107-001498	SPRING-ES	1	SA	
14	6502-001093	CABLE CLAMP	1	SNA	
15	JC31-00107A	FAN	1	SA	
16	JC33-00025B	SOLENOID-MANUAL	1	SA	
17	JC33-00027B	SOLENOID-FEED	1	SA	
18	JC39-00322A	CBF HARNESS-SCAN GND	1	SNA	
19	JC39-00880A	HARNESS-SOLENOID	1	SA	
20	JC39-01004A	HARNESS-EXIT_MOTOR	1	SA	
21	JC61-00585A	BUSH-M-FEED IDLE	2	SA	
22	JC61-00588A	BUSH-M-TR L	1	SA	
23	JC61-00604B	PLATE-E_SAW	1	SC	
24	JC61-00835A	FOOT-BACK	2	SA	
25	JC61-00907A	HOLDER-M-PTL R2	1	SA	
26	JC61-00914A	PLATE-P-PUSH BUSHING	2	SA	
27	JC61-01584A	HOUSING-M_TERMINAL	1	SNA	
28	JC61-01602A	HOLDER-M_PICK UP	1	SNA	
29	JC61-01618A	HOLDER-M_ACT FEED	1	SNA	
30	JC61-01619A	HOLDER-M_ACT REGI	1	SNA	
31	JC61-01620A	FRAME-M_BASE	1	SNA	
32	JC61-01622A	HOLDER-M_TR	1	SNA	
33	JC61-01623A	GUIDE-M_HOLDER TR	1	SNA	

Drawer#	SEC_Code	Description	QT'y	Service	Remark
34	JC61-01942A	GUIDE-TR RIB	1	SNA	
35	JC61-01943A	GUIDE-TR	1	SNA	
36	JC61-70932A	SPRING ETC-GUIDE DEVE	2	SA	
37	JC61-70958A	SPRING ETC-TR	2	SA	
38	JC63-00917A	GROUND-P-DRIVE	1	SNA	
39	JC63-00918A	GROUND-P-EARTH TR	1	SNA	
41	JC63-00921A	GROUND-P-GUIDE TR	1	SNA	
42	JC63-00922A	GROUND-P-DRIVE2	1	SNA	
43	JC63-00923A	GROUND-P-PUSH BUSHING	1	SNA	
44	JC63-00924A	GROUND-P-SHIELD SMPS	1	SNA	
45	JC63-00925A	GROUND-P-MOTOR FUSER	1	SNA	
46	JC63-00926A	GROUND-P-SHIELD	1	SNA	
47	JC63-01960A	GROUND-PR_FRAME	1	SNA	
48	JC65-00014A	TERMINAL-P-HV CR	1	SNA	
49	JC65-00018A	TERMINAL-TR	1	SNA	
50	JC66-00050A	CAM-CATCH	1	SA	
51	JC66-00377A	CAM-M-PICK_UP	1	SA	
52	JC66-00526A	ROLLER-FEED ROLLER 1	1	SA	
53	JC66-00527A	SHAFT-FEED IDLE	1	SA	
54	JC66-01160A	SHAFT-M_FEED2	1	SA	
55	JC66-01165A	GEAR-FEED2 Z27	1	SNA	
56	JC66-01189A	LEVER-M_ACTUATOR FEED	1	SA	
57	JC66-01190A	LEVER-M_ACT DUP OUT	1	SA	
58	JC66-01191A	LEVER-M_ACTUATOR REGI	1	SA	
59	JC68-00317A	LABEL(R)-HOT CAUTION,KME	1	SNA	
60	JC68-30928E	LABEL(P)-CAUTION, HOT_FU	1	SNA	
61	JC70-00307A	IPR-P-EARTH TRANSFER	1	SA	
62	JC70-00312A	IPR-P-TERMINAL CON	3	SA	
63	JC72-00102A	PMO-BUSHING_TR(L)	1	SA	
64	JC72-00382B	PMO-BUSHING FEED	3	SA	
65	JC72-00974A	PMO-ACTUATOR CVR OPEN	1	SA	

ELA HOU-Frame Parts List

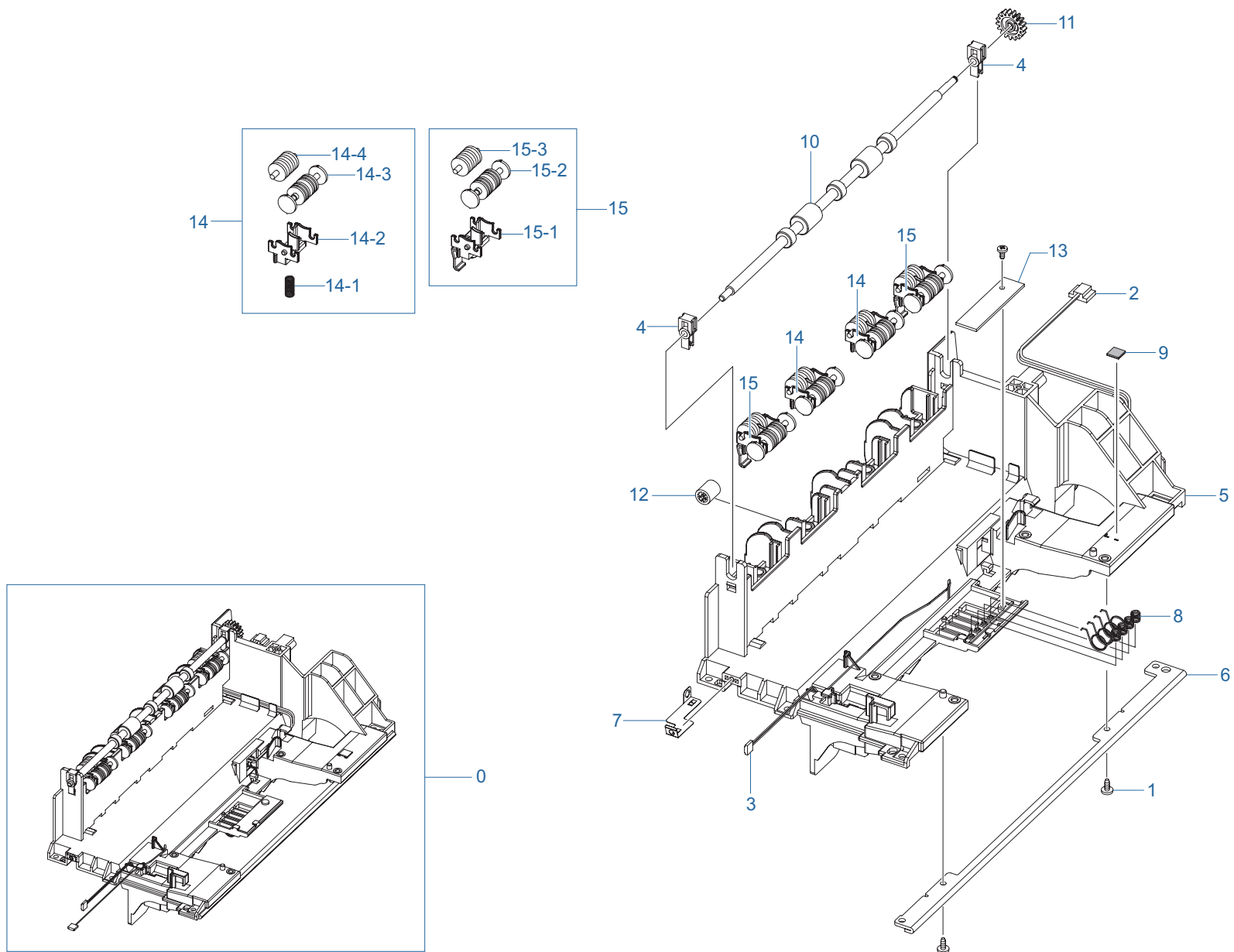
Ver. 1.04

SA : SERVICE AVAILABLE, SNA : SERVICE not AVAILABLE

Drawer#	SEC_Code	Description	QT'y	Service	Remark
66	JC72-00983A	PMO-LOCKER CST	2	SA	
67	JC72-00984A	PMO-PLATE GUIDE DEVE_L	1	SA	
68	JC72-00985A	PMO-PLATE GUIDE DEVE_R	1	SA	
69	JC75-00049A	MEC-TERMINAL	4	SA	
70	JC96-03829B	ELA HOU-GUIDE_DUP F	1	SA	
71	JC96-04634A	ELA HOU-FUSER DRIVE	1	SA	
72	JC96-04879A	ELA HOU-HVPS	1	SNA	
72-1	6003-000269	SCREW-TAPTITE	3	SA	
72-2	JC39-00528A	CBF HARNESS-PAPER EMP	1	SA	

Drawer#	SEC_Code	Description	QT'y	Service	Remark
72-3	JC39-00861A	HARNESS-HVPS	1	SA	
72-4	JC44-00162A	HVPS	1	SA	
72-5	JC63-00961A	SHEET-INSULATOR_HVPS	1	SNA	
72-6	JC63-00914A	SHIELD-P-HVPS	1	SNA	
73	JC96-04880A	ELA HOU-MPF	1	SA	
74	JC90-00911A	EXIT GUIDE	1	SNA	
75	JC97-01788A	MEA UNIT-CLUTCH	1	SA	
76	JC97-02394A	MEA UNIT-BRACKET FEED	1	SA	
77	JC97-02648A	MEA UNIT-GEAR PICK UP	1	SA	

24. ELA HOU-Frame Exit



ELA HOU-Frame Exit Parts List

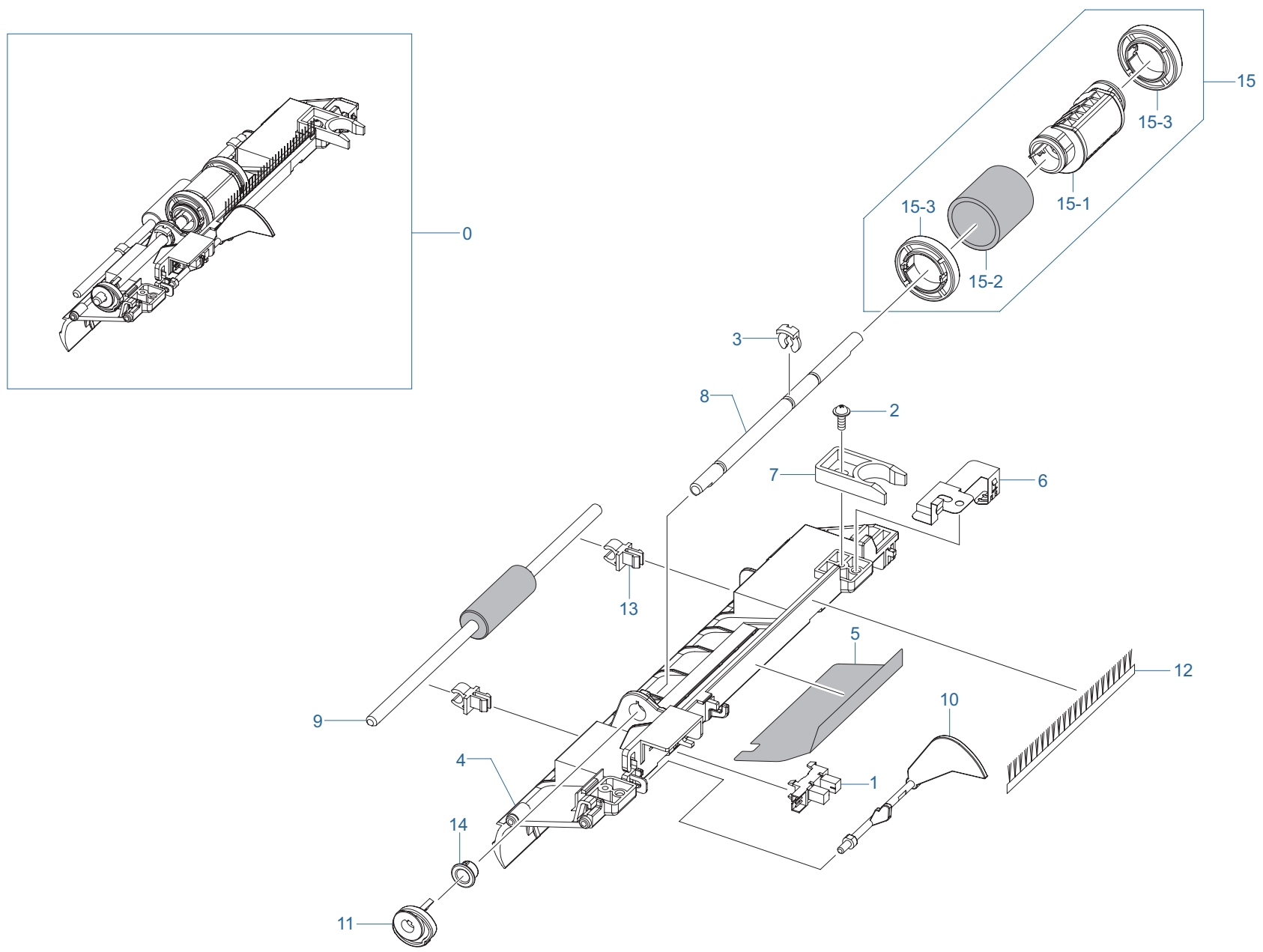
Ver. 1.04

SA : SERVICE AVAILABLE, SNA : SERVICE not AVAILABLE

Drawer#	SEC_Code	Description	QT'y	Service	Remark
0	JC90-00911A	EXIT GUIDE	1	SNA	
1	6003-000282	SCREW-TAPTITE	3	SNA	
2	JC39-00886A	HARNESS-FUSER_AC	1	SA	
3	JC39-00888A	HARNESS-LSU_SW	1	SA	
4	JC61-00829A	HOLDER-BEARING EXIT F/DOWN	2	SA	
5	JC61-01941A	FRAME-EXIT	1	SNA	
6	JC61-02155A	PLATE-LSU SUPPORT	1	SNA	
7	JC63-01322A	GROUND-FUSER BRUSH	1	SNA	
8	JC65-00019A	TERMINAL-CRUM	4	SA	
9	JC66-01283A	DAMPER-FRAME EXIT	1	SNA	
10	JC66-01196A	ROLLER-EXIT F/DOWN	1	SA	
11	JC66-40209A	GEAR-EXIT	1	SA	

Drawer#	SEC_Code	Description	QT'y	Service	Remark
12	JC72-40981A	PMO-ROLLER UPPER DP	1	SA	
13	JC92-02007A	PBA-DEVE CRUM IF	1	SA	
14	JC97-01034A	MEA RACK-EXIT ROLLER	2	SA	
14-1	JC61-70911A	SPRING ETC-EXIT ROLL FD	1	SA	
14-2	JC72-41006A	PMO-HOLDER EXIT ROLL	1	SA	
14-3	JC72-41007A	PMO-ROLLER FD F	1	SA	
14-4	JC72-41008A	PMO-ROLLER FD R	1	SA	
15	JC97-03469A	MEA RACK-EXIT ROLLER S	2	SNA	
15-1	JC61-02751A	HOLDER-EXIT ROLL SIDE	1	SNA	
15-2	JC72-41007A	PMO-ROLLER FD F	1	SA	
15-3	JC72-41008A	PMO-ROLLER FD R	1	SA	

25. ELA HOU-Guide_Dup F



ELA HOU-Guide_Dup F Parts List

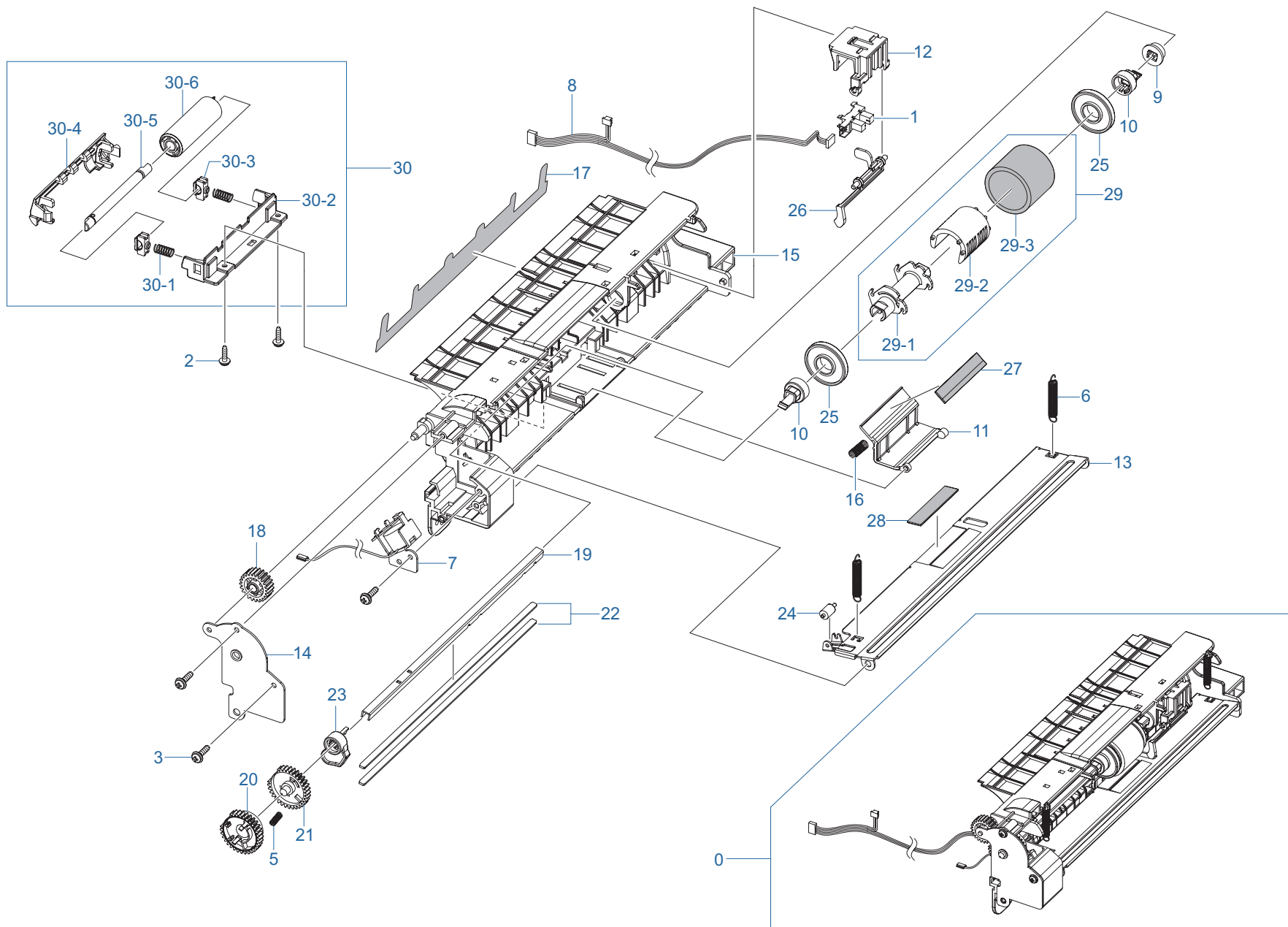
Ver. 1.04

SA : SERVICE AVAILABLE, SNA : SERVICE not AVAILABLE

Drawer#	SEC_Code	Description	QT'y	Service	Remark
0	JC96-03829B	ELA HOU-GUIDE_DUP F	1	SA	
1	0604-001095	PHOTO-INTERRUPTER	1	SA	
2	6002-000440	SCREW-TAPPING	1	SNA	
3	JC61-01367A	FIXER-M_E RING 4PI	1	SA	
4	JC61-01600A	GUIDE-M_FRONT DUPLEX	1	SNA	
5	JC63-00992A	SHEET-GUIDE FRONT DU	1	SNA	
6	JC63-01153A	GROUND-P_BRUSH	1	SNA	
7	JC66-00050A	CAM-CATCH	1	SA	
8	JC66-01171A	SHAFT-PICK UP	1	SNA	
9	JC66-01173A	ROLLER-FEED	1	SA	

Drawer#	SEC_Code	Description	QT'y	Service	Remark
10	JC66-01187A	LEVER-ACTUATOR EMPTY	1	SA	
11	JC66-01581A	CAM-SHAFT PICK UP	1	SNA	
12	JC67-00208A	BRUSH-ANTISTATIC	1	SA	
13	JC72-00382B	PMO-BUSHING FEED	2	SA	
14	JC72-41364A	PMO-BUSHING_P/U,MP	1	SA	
15	JC90-00932A	MEA-ROLLER PICK UP	1	SA	
15-1	JC61-01601B	HOUSING-M_PICK UP	1	SNA	
15-2	JC73-00310A	RUBBER-PICK_UP	1	SNA	
15-3	JC66-01169A	ROLLER-IDLE PICK UP	2	SA	

26. ELA HOU-MPF



ELA HOU-MPF Parts List

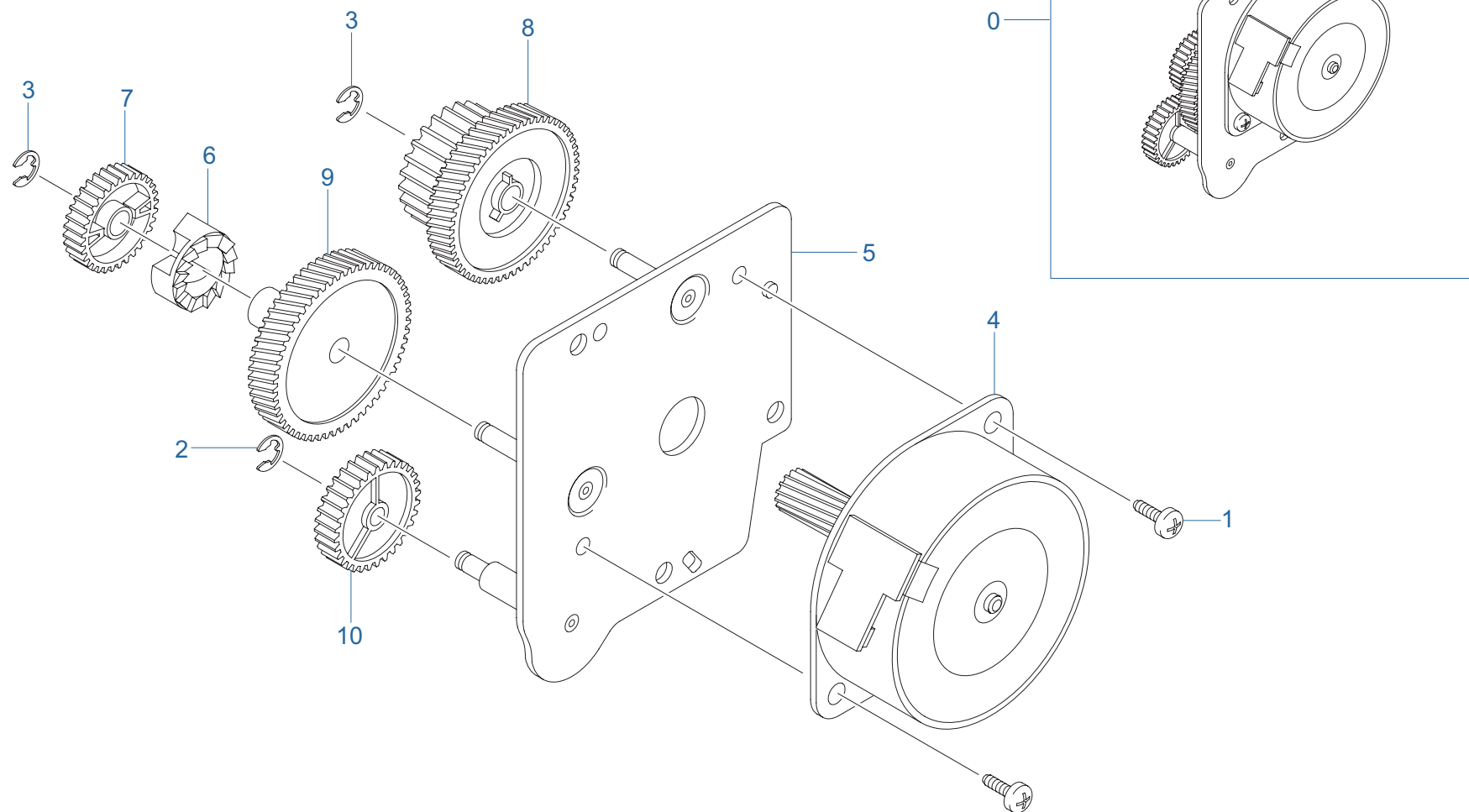
Ver. 1.04

SA : SERVICE AVAILABLE, SNA : SERVICE not AVAILABLE

Drawer#	SEC_Code	Description	QT'y	Service	Remark
0	JC96-04880A	ELA HOU-MPF	1	SA	
1	0604-001095	PHOTO-INTERRUPTER	1	SA	
2	6003-000196	SCREW-TAPTITE	2	SA	
3	6003-000196	SCREW-TAPTITE	2	SA	
4	6003-000196	SCREW-TAPTITE	1	SA	
5	6107-001167	SPRING-CS	1	SA	
6	6107-001237	SPRING-ES	2	SA	
7	JC33-00028B	SOLENOID-MP	1	SA	
8	JC39-00873A	HARNESS-MP	1	SA	
9	JC61-00587A	BUSH-M-PICK_UP R	1	SA	
10	JC61-00915A	STOPPER-M-PICK UP_R2	2	SA	
11	JC61-00924A	HOLDER-M-PAD_MP	1	SA	
12	JC61-00926A	HOLDER-M-SENSOR_MP	1	SA	
13	JC61-00927A	PLATE-P-KNOCK UP_MP	1	SNA	
14	JC61-00932A	BRACKET-P-PICKUP_MP	1	SNA	
15	JC61-01603A	FRAME-M_MP	1	SNA	
16	JC61-70911A	SPRING ETC-EXIT ROLL FD	1	SA	
17	JC63-01936A	SHEET-GUIDE MP	1	SNA	
18	JC66-00396A	GEAR-IDLE 23	1	SA	
19	JC66-00399A	SHAFT-P-PICK_UP	1	SA	

Drawer#	SEC_Code	Description	QT'y	Service	Remark
20	JC66-00709A	GEAR-M-HOLDER_MP	1	SA	
21	JC66-00710A	GEAR-M-PICK UP_MP	1	SA	
22	JC66-00720A	SHAFT-P-CORE	2	SA	
23	JC66-01205A	CAM-M_PICK UP MP	1	SA	
24	JC72-00761A	PMO-ROLLER CAM.MP	1	SA	
25	JC72-00982A	PMO-IDLE PICK_UP	2	SA	
26	JC72-01338A	PMO-M-ACT EMPTY MP	1	SA	
27	JC73-00140A	RPR-FRICTION PAD	1	SA	
28	JC73-00141A	RPR-PAD CASSETTE	1	SA	
29	JC97-02034A	MEA-PICK UP_MP	1	SA	
29-1	JC61-00910A	HOUSING-M-PICK UP2_R2	1	SA	
29-2	JC61-00925A	HOUSING-M_PICK UP_MP	1	SA	
29-3	JC73-00194A	RUBBER-PICK UP MP	1	SA	
30	JC97-02443A	MEA-IDLE FEED	1	SA	
30-1	JC61-00484A	SPRING ETC-EXIT LOWER IDLE	2	SA	
30-2	JC61-01604A	HOLDER-M_IDLE FEED	1	SNA	
30-3	JC61-01605A	HOLDER-M_SHAFT IDLE	2	SNA	
30-4	JC63-00997A	COVER-M_IDLE FEED	1	SNA	
30-5	JC66-01172A	SHAFT-IDLE FEED	1	SNA	
30-6	JC66-01186A	ROLLER-IDLE FEED	1	SNA	

27. ELA HOU-Fuser Drive



ELA HOU-Fuser Drive Parts List

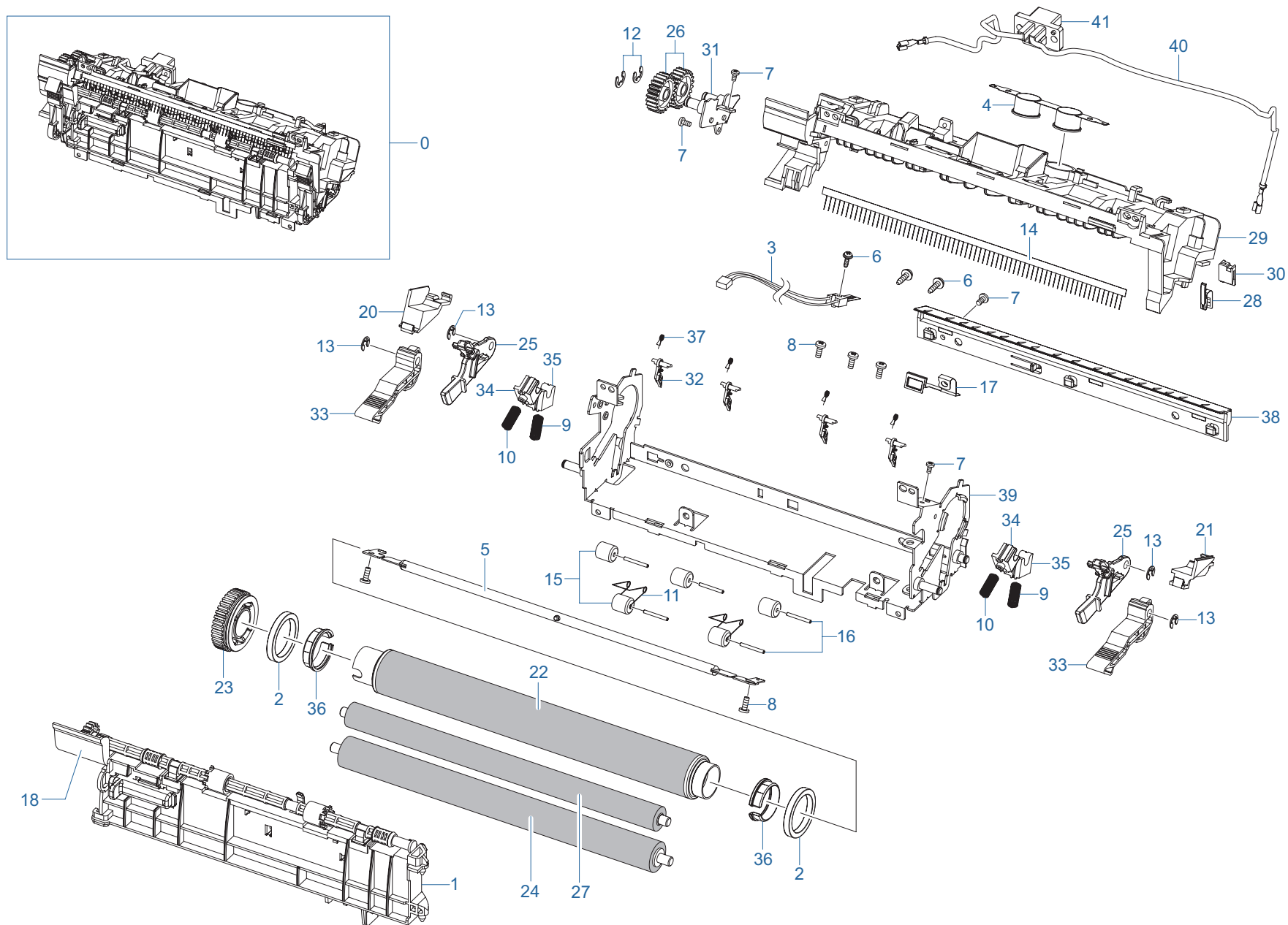
Ver. 1.04

SA : SERVICE AVAILABLE, SNA : SERVICE not AVAILABLE

Drawer#	SEC_Code	Description	QT'y	Service	Remark
0	JC96-04634A	ELA HOU-FUSER DRIVE	1	SA	
1	6003-000269	SCREW-TAPTITE	2	SA	
2	6044-000125	RING-E	1	SC	
3	6044-000231	RING-E	2	SA	
4	JC31-00084A	MOTOR STEP	1	SA	
5	JC61-01946A	BRACKET-FUSER EXIT	1	SNA	

Drawer#	SEC_Code	Description	QT'y	Service	Remark
6	JC66-00340A	GEAR-HUB CLUTCH	1	SA	
7	JC66-00417A	GEAR-RDCN FUSER OUT	1	SA	
8	JC66-01158A	GEAR-EXIT RDCN 87/24	1	SNA	
9	JC66-01163A	GEAR-FUSER RDCN IN 95	1	SNA	
10	JC66-01210A	GEAR-FUSER IDLE FR	1	SA	

28. ELA Unit-Fuser



ELA Unit-Fuser Parts List

Ver. 1.04

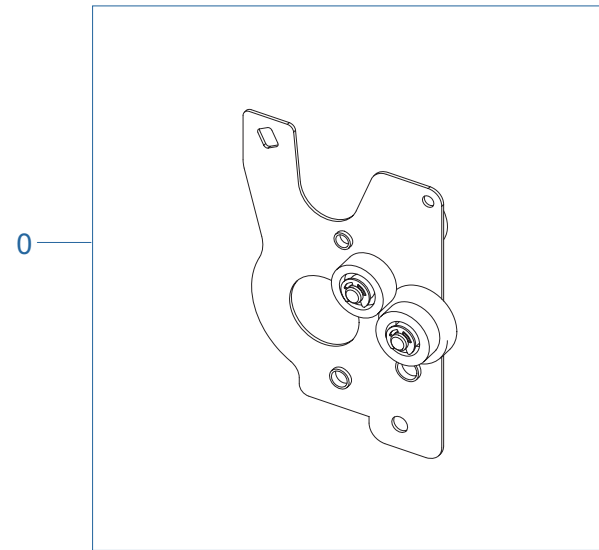
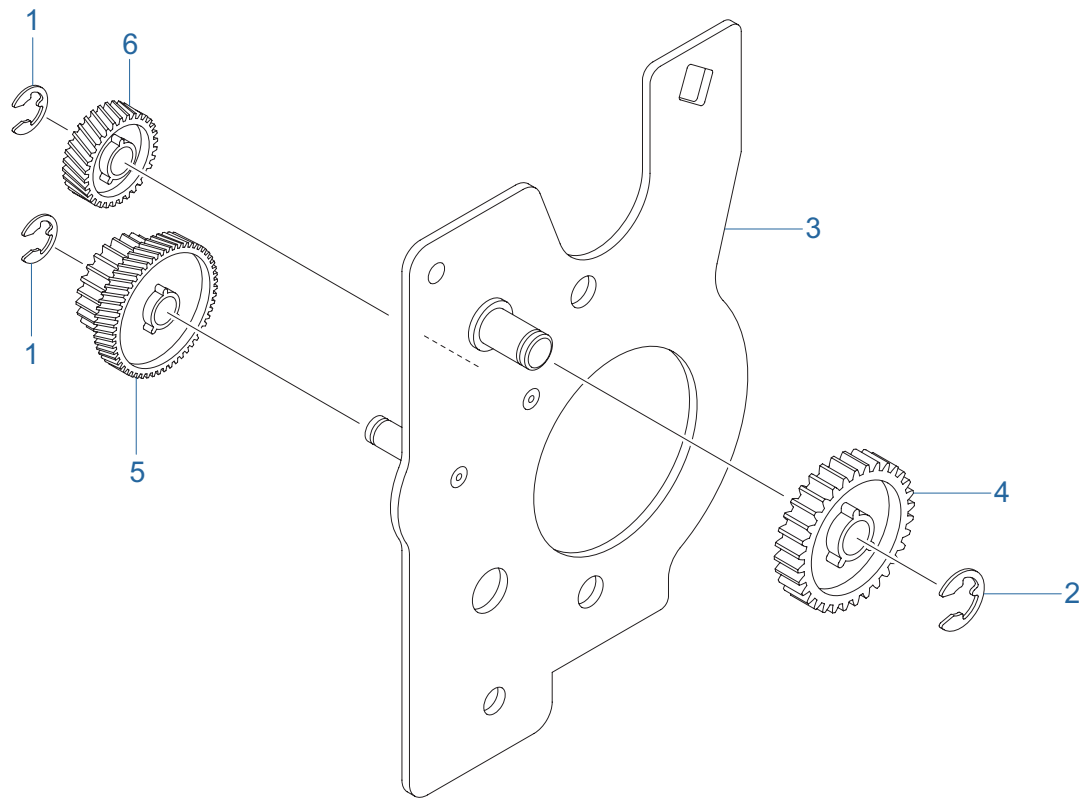
SA : SERVICE AVAILABLE, SNA : SERVICE not AVAILABLE

Drawer#	SEC_Code	Description	QT'y	Service	Remark
0	JC91-00929A	ELA UNIT-FUSER	1	SA	110V
0	JC91-00928A	ELA UNIT-FUSER	1	SA	220V
1	JC90-00910A	MEA UNIT-DOOR FUSER	1	SNA	
2	6601-001479	BEARING-BALL	2	SA	
3	1404-001364	THERMISTOR-NTC ASSY	1	SA	
4	4712-001031	THERMOSTAT	1	SA	
5	4713-001207	LAMP-HALOGEN	1	SA	110V
5	4713-001208	LAMP-HALOGEN	1	SA	220V
6	6003-000196	SCREW-TAPTITE	3	SA	
7	6003-000269	SCREW-TAPTITE	5	SA	
8	6003-000282	SCREW-TAPTITE	5	SNA	
9	6107-001267	SPRING-CS	2	SA	
10	6107-001689	SPRING-CS	2	SNA	
11	6107-001159	SPRING-TS	2	SA	
12	6044-000231	RING-E	2	SA	
13	6044-000125	RING-E	4	SC	
14	JC75-00095A	MEC-BRUSH ANTISTATIC	1	SA	
15	JC72-20902A	PEX-ROLLER F/UP(2)	5	SA	
16	JC70-20901A	IEX-SHAFT IDLE,F/UP	5	SA	
17	JC63-02008A	GROUND-EARTH UPPER	1	SNA	
18	JC68-01581B	LABEL-CAUTION	1	SNA	XAA
18	JC68-01581C	LABEL-CAUTION	1	SNA	SEE
20	JC67-00253A	CAP-LAMP_L	1	SNA	

Drawer#	SEC_Code	Description	QT'y	Service	Remark
21	JC67-00254A	CAP-LAMP_R	1	SNA	
22	JC66-01593B	ROLLER-HEAT	1	SA	
23	JC66-01588A	GEAR-FUSER	1	SA	
24	JC66-01453A	ROLLER-PRESSURE	1	SA	
25	JC66-02283A	LEVER-LINK_JAM	2	SNA	
26	JC66-01153A	GEAR-IDLE 23 FUSER	2	SA	
27	JC66-01079A	ROLLER-PRESSURE	1	SA	
28	JC63-01961A	GROUND-PR_FUSER	1	SNA	
29	JC63-01347A	COVER-FUSER_UPPER	1	SNA	
30	JC61-02631A	GUIDE-GROUND_PR	1	SNA	
31	JC61-02156A	BRACKET-FUSER	1	SNA	
32	JC61-02154A	GUIDE-CLAW	4	SNA	
33	JC61-03340A	HOLDER-JAM	2	SNA	
34	JC61-01961A	BUSH-PR_2ND	2	SNA	
35	JC61-01960A	BUSH-PR_1ST	2	SNA	
36	JC61-01958A	BUSH-HR	2	SA	
37	JC61-01950A	SPRING ETC-CLAW	4	SA	
38	JC61-01949A	GUIDE-INPUT	1	SNA	
39	JC61-01948A	FRAME-FUSER	1	SNA	
40	JC39-00521A	CBF HARNESS-FUSER REC	1	SA	110V
40	JC39-00609A	CBF HARNESS-FUSER R_2	1	SA	220V
41	JC39-00520A	CBF HARNESS-FUSER CON	1	SA	

29. MEA Unit-Bracket Feed

Ver. 1.04



MEA Unit-Bracket Feed Parts List

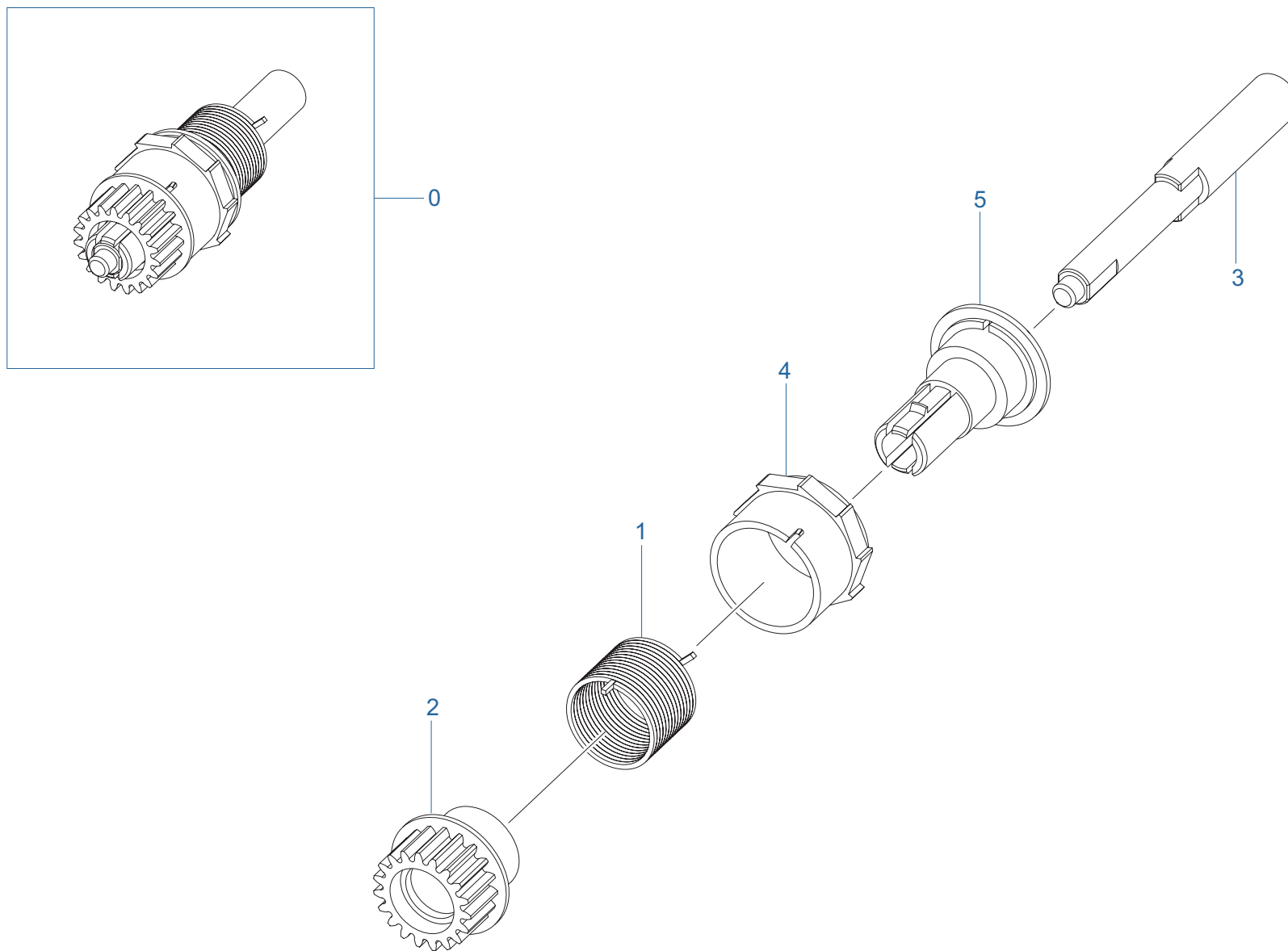
Ver. 1.04

SA : SERVICE AVAILABLE, SNA : SERVICE not AVAILABLE

Drawer#	SEC_Code	Description	QT'y	Service	Remark
0	JC97-02394A	MEA UNIT-BRACKET FEED	1	SA	
1	6044-000125	RING-E	2	SC	
2	6044-000231	RING-E	1	SA	
3	JC61-01582A	BRACKET-P-FEED	1	SNA	

Drawer#	SEC_Code	Description	QT'y	Service	Remark
4	JC66-00484A	GEAR-T2 IDEL_Z27	1	SA	
5	JC66-01164A	GEAR-RETARD 39/19	1	SNA	
6	JC66-01166A	GEAR-IDLE Z29 HELICAL	1	SNA	

30. MEA Unit-Clutch



MEA Unit-Clutch Parts List

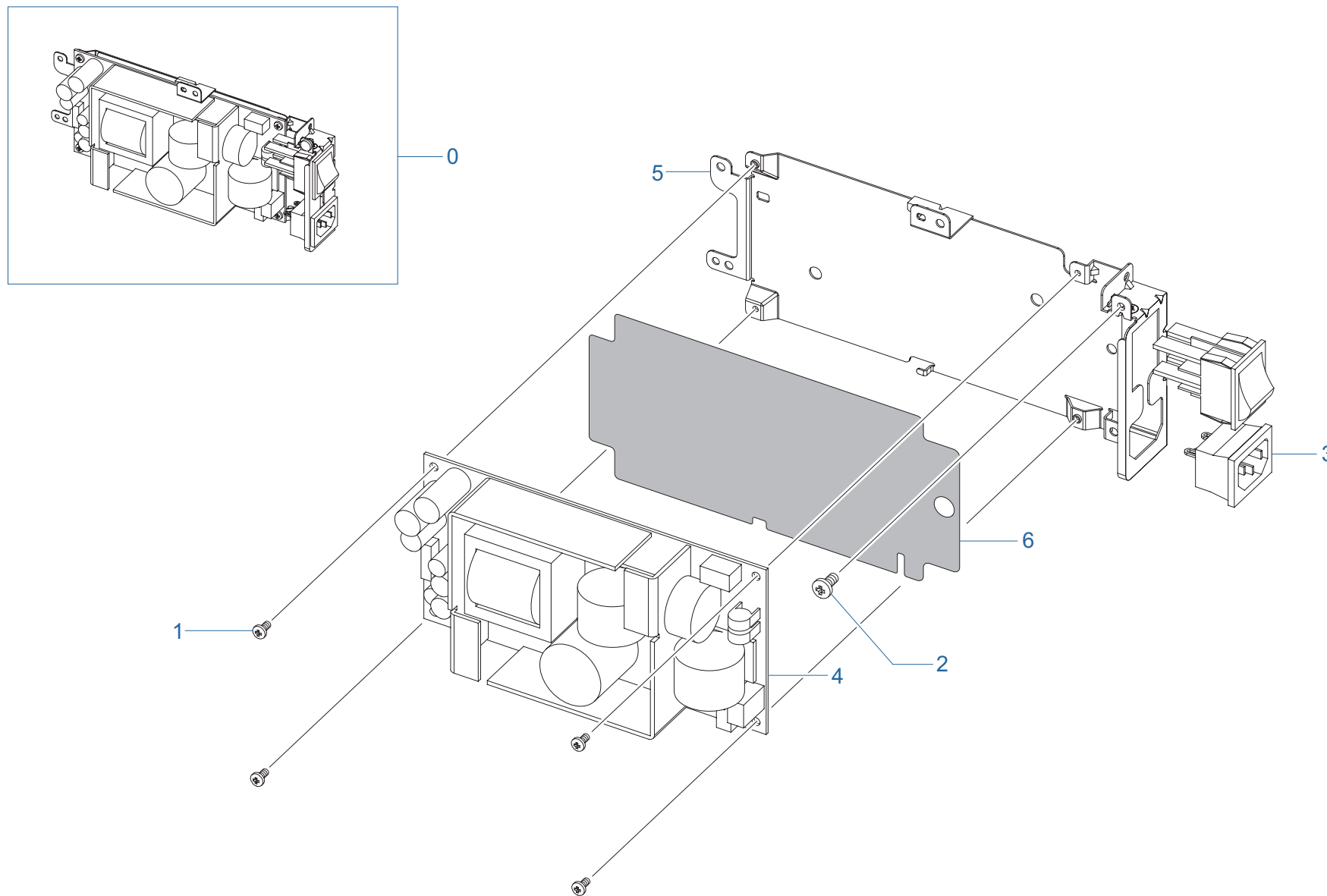
Ver. 1.04

SA : SERVICE AVAILABLE, SNA : SERVICE not AVAILABLE

Drawer#	SEC_Code	Description	QT'y	Service	Remark
0	JC97-01788A	MEA UNIT-CLUTCH	1	SA	
1	6107-001171	SPRING-TS	1	SA	
2	JC66-00393A	GEAR-FEED 1	1	SA	

Drawer#	SEC_Code	Description	QT'y	Service	Remark
3	JC66-00398A	SHAFT-FEED	1	SA	
4	JC72-00978A	PMO-COLLAR_SPRING	1	SA	
5	JC72-00981A	PMO-HUB CLUTCH	1	SNA	

31. ELA HOU-SMPS_V1/V2



ELA HOU-SMPS_V1/V2 Parts List

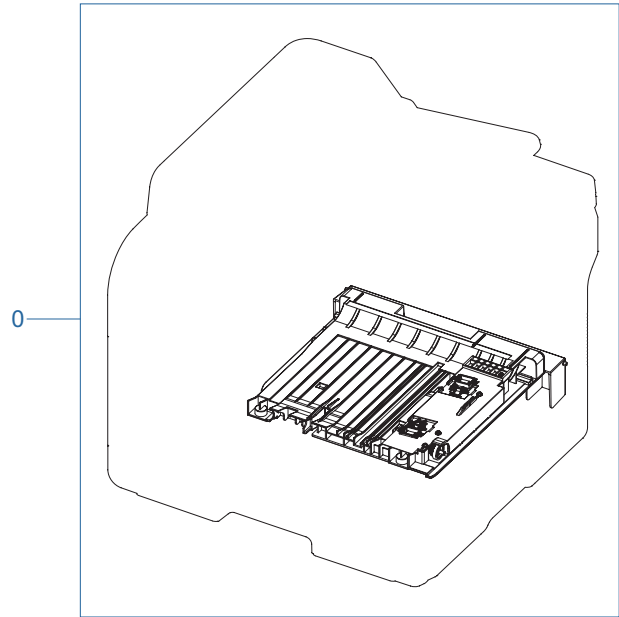
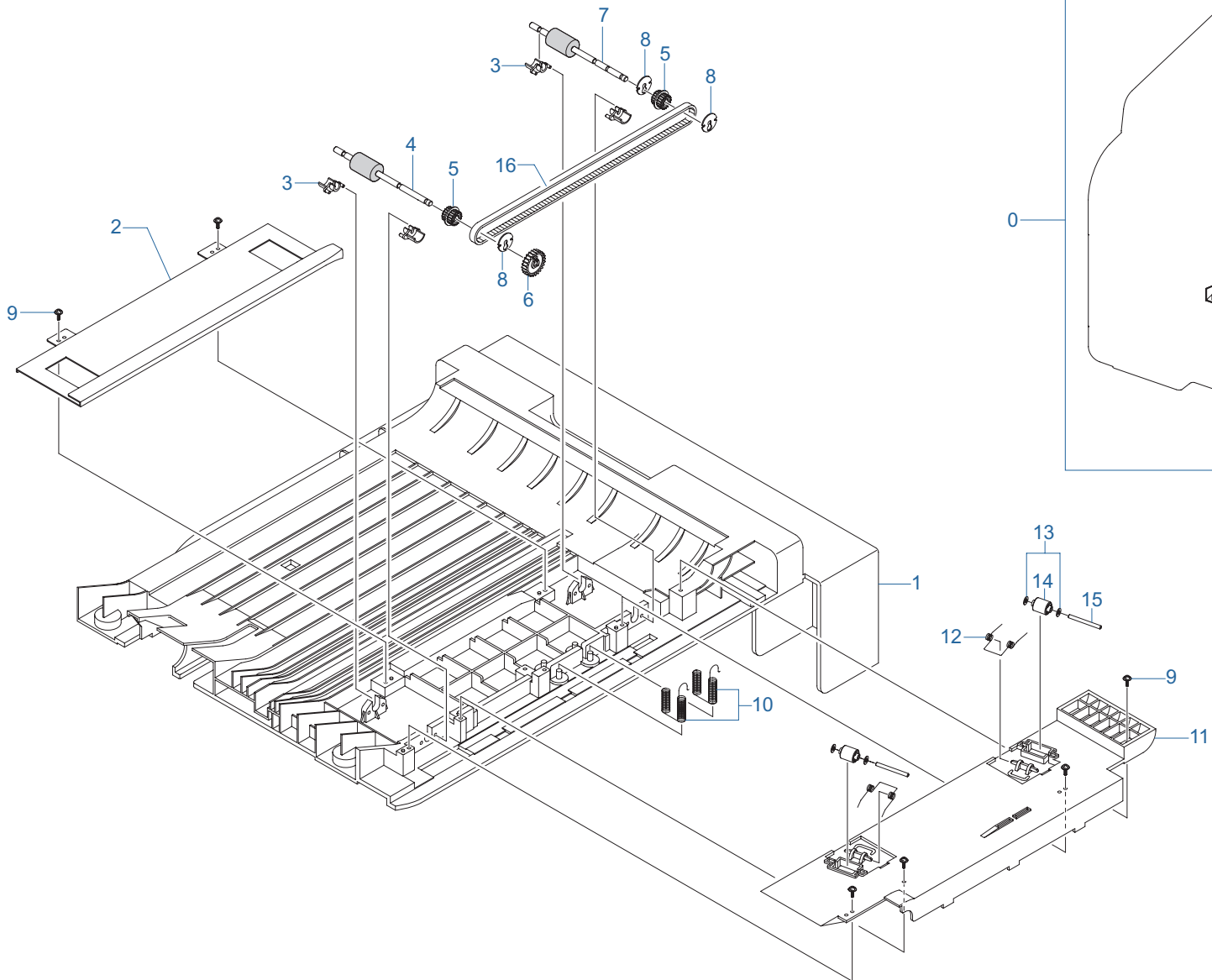
Ver. 1.04

SA : SERVICE AVAILABLE, SNA : SERVICE not AVAILABLE

Drawer#	SEC_Code	Description	QT'y	Service	Remark
0	JC96-05621A	ELA HOU-SMPS_V1	1	SNA	110V
0	JC96-05622A	ELA HOU-SMPS_V2	1	SNA	220V
1	6003-000269	SCREW-TAPTITE	4	SA	
2	6003-000301	SCREW-TAPTITE	1	SNA	
3	JC39-00523A	CBF HARNESS-AC INLET	1	SA	

Drawer#	SEC_Code	Description	QT'y	Service	Remark
4	JC44-00097D	SMPS-V1	1	SA	110V
4	JC44-00090D	SMPS-V2C	1	SA	220V
5	JC63-00913A	SHIELD-P-SMPS	1	SNA	
6	JC63-00960A	SHEET-INSULATOR_SMPS	1	SNA	

32. MEA Unit-Duplex



MEA Unit-Duplex Parts List

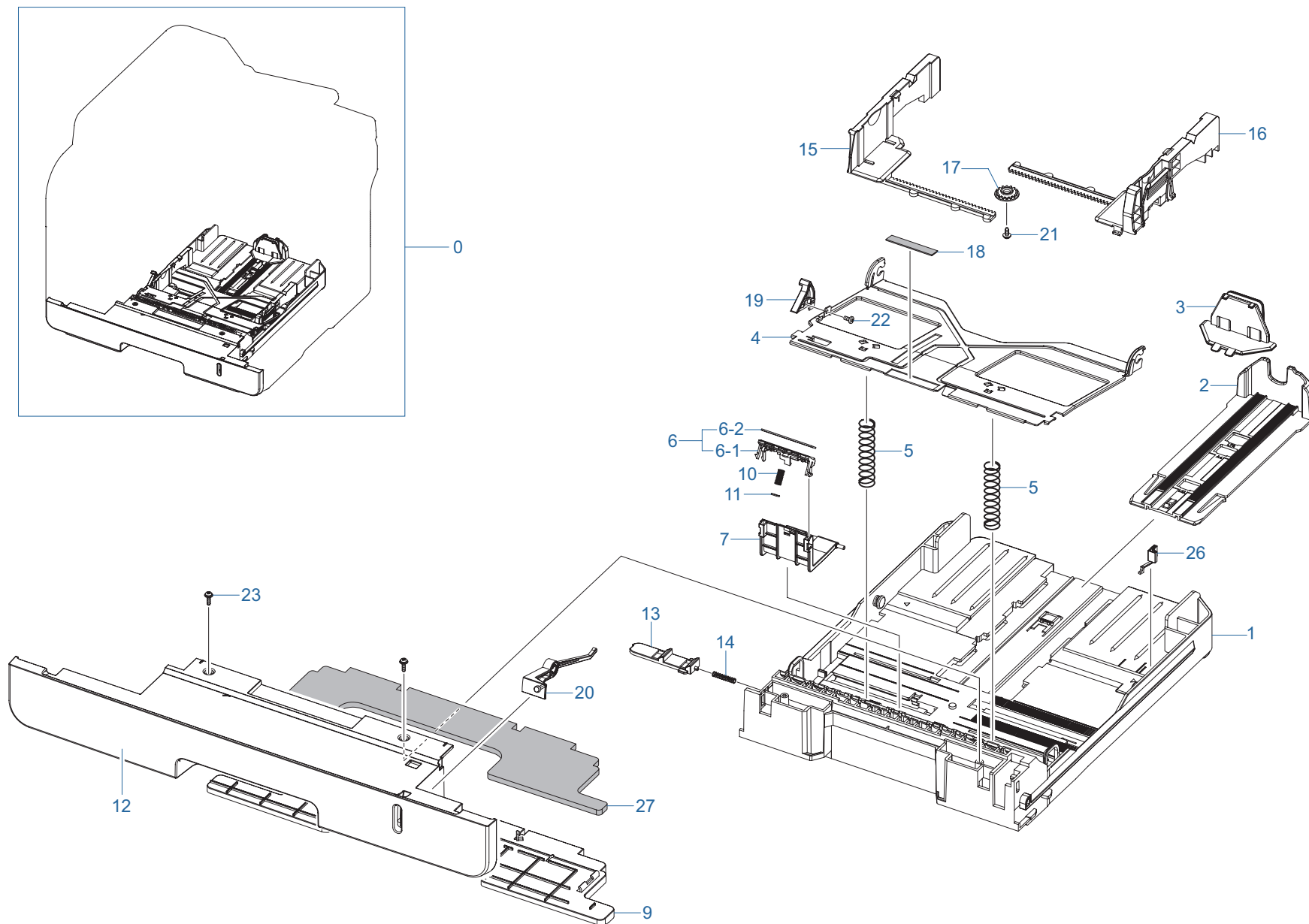
Ver. 1.04

SA : SERVICE AVAILABLE, SNA : SERVICE not AVAILABLE

Drawer#	SEC_Code	Description	QT'y	Service	Remark
0	JC97-02393A	MEA UNIT-DUPLEX	1	SA	
1	JC61-01594A	FRAME-M_DUP	1	SNA	
2	JC61-01595A	GUIDE-M_UPPER DUP	1	SNA	
3	JC61-00665A	BUSH-M-FEED, DUP	4	SA	
4	JC96-04983B	ELA UNIT-ROLLER_DUP2	1	SA	
5	JC66-00899A	PULLEY-18_DUP	2	SA	
6	JC66-00038A	GEAR-EXIT F/DOWN	1	SA	
7	JC96-04983A	ELA UNIT-ROLLER_DUP	1	SA	
8	JC66-00900A	PULLEY-M-18-DUMMY_DUP	3	SA	

Drawer#	SEC_Code	Description	QT'y	Service	Remark
9	6003-000196	SCREW-TAPTITE	6	SA	
10	JC65-00017A	TERMINAL-P-GND DUP	2	SA	
11	JC61-01595A	GUIDE-M_UPPER DUP	1	SNA	
12	6107-001156	SPRING-TS	2	SA	
13	JK72-00058A	PCT-SILP WASHER	4	SNA	
14	JC66-00896A	ROLLER-M-IDLE_DUP	2	SA	
15	JC66-00444A	SHAFT-IDLE ROLL, DUP	2	SA	
16	JC66-20901A	BELT-TIMMING	1	SA	

33. MEA Unit-Cassette



MEA Unit-Cassette Parts List

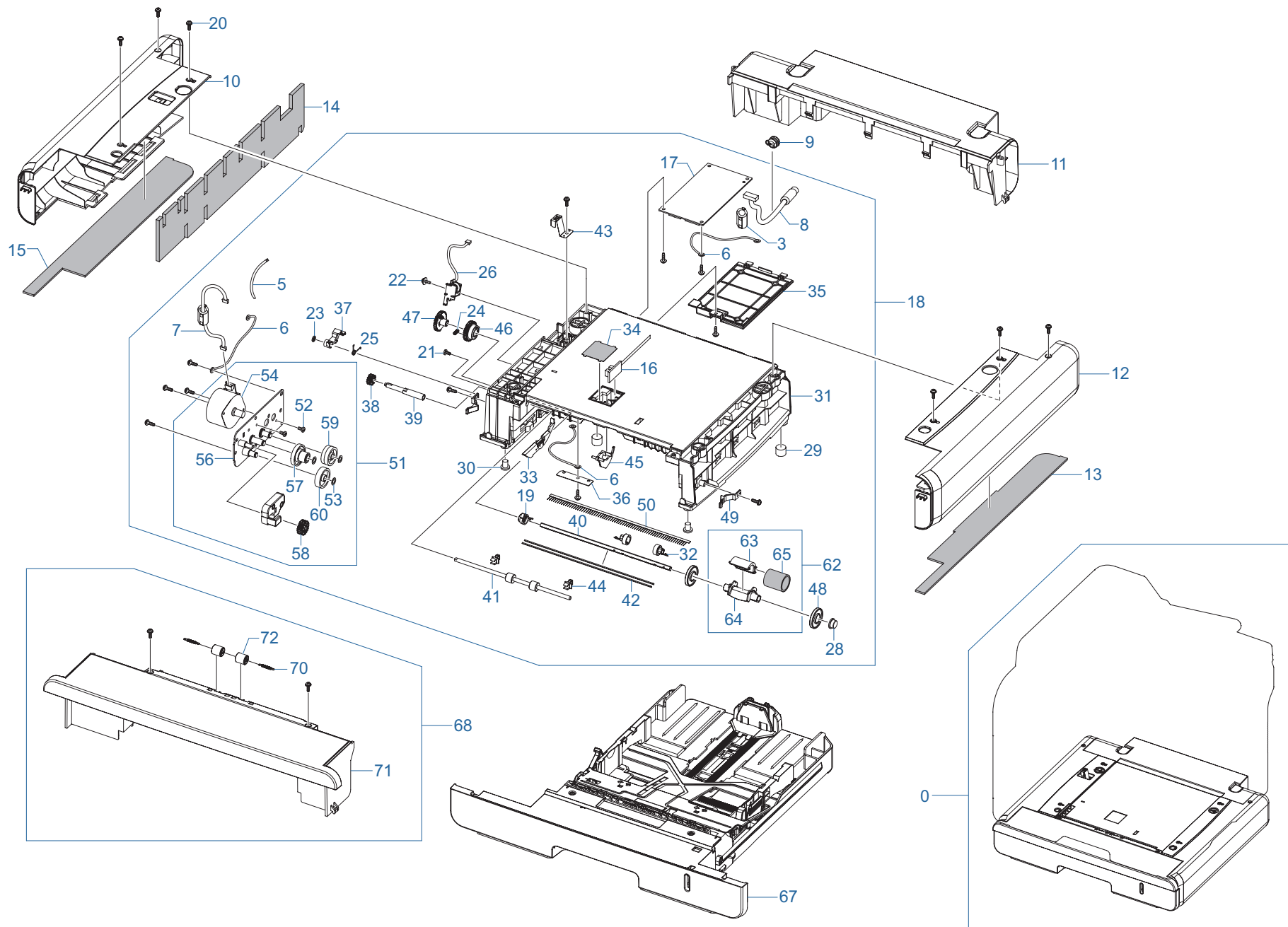
Ver. 1.04

SA : SERVICE AVAILABLE, SNA : SERVICE not AVAILABLE

Drawer#	SEC_Code	Description	QT'y	Service	Remark
0	JC97-03554A	MEA UNIT-CASSETTE	1	SNA	
1	JC61-00876A	FRAME-M_CASSETTE	1	SNA	
2	JC61-00918B	GUIDE-M-EXTENSION L2	1	SA	
3	JC72-00971A	PMO-EXTENSION SMALL	1	SA	
4	JC61-00603A	PLATE-P-KNOCK_UP	1	SNA	
5	6107-001166	SPRING-CS	2	SA	
6	JC97-03439A	MEA UNIT-HOLDER PAD	1	SA	
6-1	JC61-02733A	HOLDER-PAD	1	SA	
6-2	JC73-00140A	RPR-FRICTION PAD	1	SA	
7	JC61-01978A	HOUSING-HOLDER PAD	1	SA	
9	JC63-02167A	COVER-CST LOWER_E	1	SNA	
10	JC61-70911A	SPRING ETC-EXIT ROLL FD	1	SA	
11	JC61-01692A	SUPPORT-HOLDER PAD	1	SNA	
12	JC63-00939A	COVER-M_SUB CST	1	SNA	
13	JC72-00972A	PMO-PLATE_LOCKER	1	SA	

Drawer#	SEC_Code	Description	QT'y	Service	Remark
14	JG61-70531A	SPRING ETC-LOCKER,PLATE	1	SA	
15	JC70-00300A	ADJUST-M-CASSETTE_L	1	SA	
16	JC70-00301A	ADJUST-M-CASSETTE_R	1	SC	
17	JG66-40003A	GEAR-PINION	1	SA	
18	JC73-00141A	RPR-PAD CASSETTE	1	SA	
19	JC66-00719A	CAM-M-KNOCK UP	1	SA	
20	JC64-00253A	INDICATOR-M_CASSETTE	1	SNA	
21	6003-000264	SCREW-TAPTITE	1	SNA	
22	6003-000261	SCREW-TAPTITE	1	SNA	
23	6003-000196	SCREW-TAPTITE	2	SA	
24	JF68-10532B	LABEL(P)-BAR CODE	1	SNA	
25	JC68-02049A	LABEL-INFORMATION	1	SNA	
26	JC61-02484A	STOPPER-ADJUSTER	1	SA	
27	JC72-01532A	SPONGE-CST BOTTOM	1	SNA	

34. ELA HOU-SCF



ELA HOU-SCF Parts List

Ver. 1.04

SA : SERVICE AVAILABLE, SNA : SERVICE not AVAILABLE

Drawer#	SEC_Code	Description	QT'y	Service	Remark
0	JC96-05180A	ELA HOU-SCF	1	SNA	
3	3301-001635	CORE-FERRITE	1	SNA	
4	6003-000196	SCREW-TAPTITE	8	SA	
5	6501-000004	CABLE TIE	1	SA	
6	JC39-00366A	CBF HARNESS-SCF GND	3	SNA	
7	JC39-01003A	HARNESS-DUPLEX_MOTOR	1	SA	
8	JC39-01012A	HARNESS-SCF	1	SNA	
9	JC61-00804A	BUSH-CABLE	1	SNA	
10	JC63-00941A	COVER-LEFT SCF	1	SA	
11	JC63-00943A	COVER-REAR SCF	1	SA	
12	JC63-00942A	COVER-RIGHT SCF	1	SA	
13	JC72-01538A	SPONGE-SCF R	1	SNA	
14	JC72-01469A	SPONGE-SCF L1	1	SNA	
15	JC72-01537A	SPONGE-SCF L2	1	SNA	
16	JC92-01799B	PBA-SUB_EMP	1	SA	
17	JC92-02095A	PBA-SCF	1	SA	
18	JC96-05553A	ELB HOU-FRAME SCF	1	SNA	
20	6003-000196	SCREW-TAPTITE	11	SA	
21	6003-000282	SCREW-TAPTITE	1	SNA	
22	6006-001078	SCREW-TAPTITE	1	SNA	
23	6044-000001	RING-CS	1	SA	
24	6107-001167	SPRING-CS	1	SA	
25	6107-001352	SPRING-TS	1	SA	
26	JC33-00025B	SOLENOID-MANUAL	1	SA	
27	JC66-02084A	CAM-PICK UP	1	SA	
28	JC61-00587A	BUSH-M-PICK_UP R	1	SA	
29	JC61-00835A	FOOT-BACK	2	SA	
30	JC61-00836A	FOOT-FRONT	2	SNA	
31	JC61-00877F	FRAME-M_SCF	1	SNA	
32	JC61-00915A	STOPPER-M-PICK UP_R2	2	SA	
33	JC61-00937A	GUIDE-M-KNOCK UP	1	SA	

Drawer#	SEC_Code	Description	QT'y	Service	Remark
34	JC63-00369A	SHEET-COVER SENSOR	1	SA	
35	JC63-00492C	COVER-M_SIMM	1	SNA	
36	JC63-00527A	SHEET-BRUSH	1	SNA	
37	JC66-00377A	CAM-M-PICK_UP	1	SA	
38	JC66-00394A	GEAR-FEED 2	1	SA	
39	JC66-00398A	SHAFT-FEED	1	SA	
40	JC66-00399A	SHAFT-P-PICK_UP	1	SA	
41	JC66-00598A	ROLLER-FEED	1	SA	
42	JC66-00720A	SHAFT-P-CORE	2	SA	
43	JC70-11028A	IPR-GROUND TOP	1	SNA	
44	JC72-00382B	PMO-BUSHING FEED	2	SA	
45	JC72-00975A	PMO-ACTUATOR EMPTY	1	SA	
46	JC72-00979A	PMO-GEAR PICK_UP A	1	SNA	
47	JC72-00980A	PMO-GEAR PICK_UP B	1	SNA	
48	JC72-00982A	PMO-IDLE PICK_UP	2	SA	
49	JC72-00983A	PMO-LOCKER CST	2	SA	
50	JC75-00095A	MEC-BRUSH ANTISTATIC	0.25	SA	
51	JC96-05389A	ELA HOU-MOTOR SCF	1	SA	
52	6003-000301	SCREW-TAPTITE	2	SA	
53	6031-000023	WASHER-PLAIN	3	SA	
54	JC31-00090A	MOTOR BLDC	1	SA	
55	JC61-00878A	BRACKET-M_FEED SCF	1	SNA	
56	JC61-02749A	BRACKET-SCF DRIVE	1	SNA	
57	JC66-02030A	GEAR-SCF	1	SA	
58	JC66-00396A	GEAR-IDLE 23	1	SA	
59	JC66-00688B	GEAR-61/47 IDLE	1	SA	
60	JC66-00690A	GEAR-35 IDLE	1	SA	
62	JC97-01926A	MEA UNIT-PICK UP	1	SA	
63	JC61-00909A	HOUSING-M-PICK UP_R2	1	SNA	
64	JC61-00910A	HOUSING-M-PICK UP2_R2	1	SA	
65	JC72-01231A	SPONGE-ROLLER PICK_UP	1	SA	

ELA HOU-SCF Parts List

Ver. 1.04

SA : SERVICE AVAILABLE, SNA : SERVICE not AVAILABLE

Drawer#	SEC_Code	Description	QT'y	Service	Remark
67	JC97-03554A	MEA UNIT-CASSETTE SCF	1	SA	
68	JC97-02555A	MEA-COVER FRONT SCF	1	SA	
70	6107-001047	SPRING-ES	2	SNA	

Drawer#	SEC_Code	Description	QT'y	Service	Remark
71	JC63-00940A	COVERT-FRONT SCF	1	SA	
72	JC66-00529A	ROLLER-M-IDLE FEED	2	SNA	