

7. Exploded Views and Parts List(scX-5530FN/XEN)

- 7.1 Main Exploded Views 7-2
- 7.2 Cover Ass'y 7-4
- 7.3 Middle Cover Ass'y 7-6
- 7.4 Front Cover Ass'y 7-8
- 7.5 Rear Cover Ass'y 7-10
- 7.6 Frame Assembly 7-12
- 7.7 Fuser Drive Ass'y 7-16
- 7.8 Main Drive Ass'y 7-18
- 7.9 MP Ass'y 7-20
- 7.10 Scan Ass'y 7-22
- 7.11 Platen Ass'y 7-24
- 7.12 Cover Platen Ass'y 7-26
- 7.13 ADF Ass'y 7-28
- 7.14 OPE Unit 7-31
- 7.15 Cassette Ass'y 7-33
- 7.16 Fuser Ass'y 7-35
- 7.17 Duplex Unit(Optional) 7-37

- Deal drawings and service parts are declared for the items with higher rate of inferiority and replaceable in the level of service description only.
- If inferiority occurs, you can replace the parts by the unit declared in deal drawings and service items.

Way to observe Part Code & Description

Part code and Description is quoted and controlled by determined standard. Refer to this determined standard, it will help with ordering Part.

- There are two kinds of Part code inscription type.



(● : figure, ■ : character (alphabet))

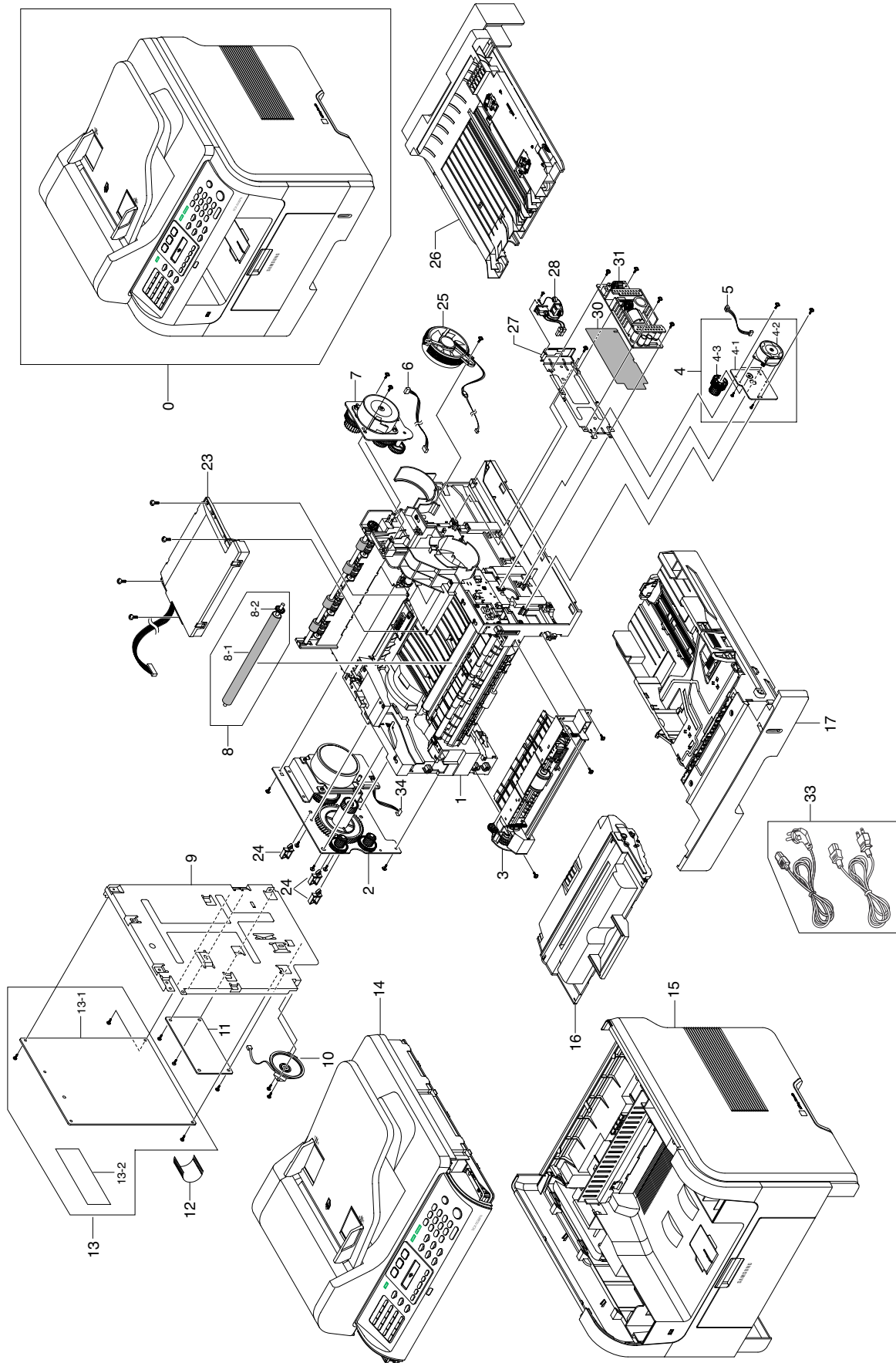
Type 1 : Controlled by Company : It can be commonly used for all kinds of product SEC produce. Mostly, electronics Parts.

Type 2 : Controlled by Division : It is used or one produce. Mostly, Mostly, mechanical Parts.

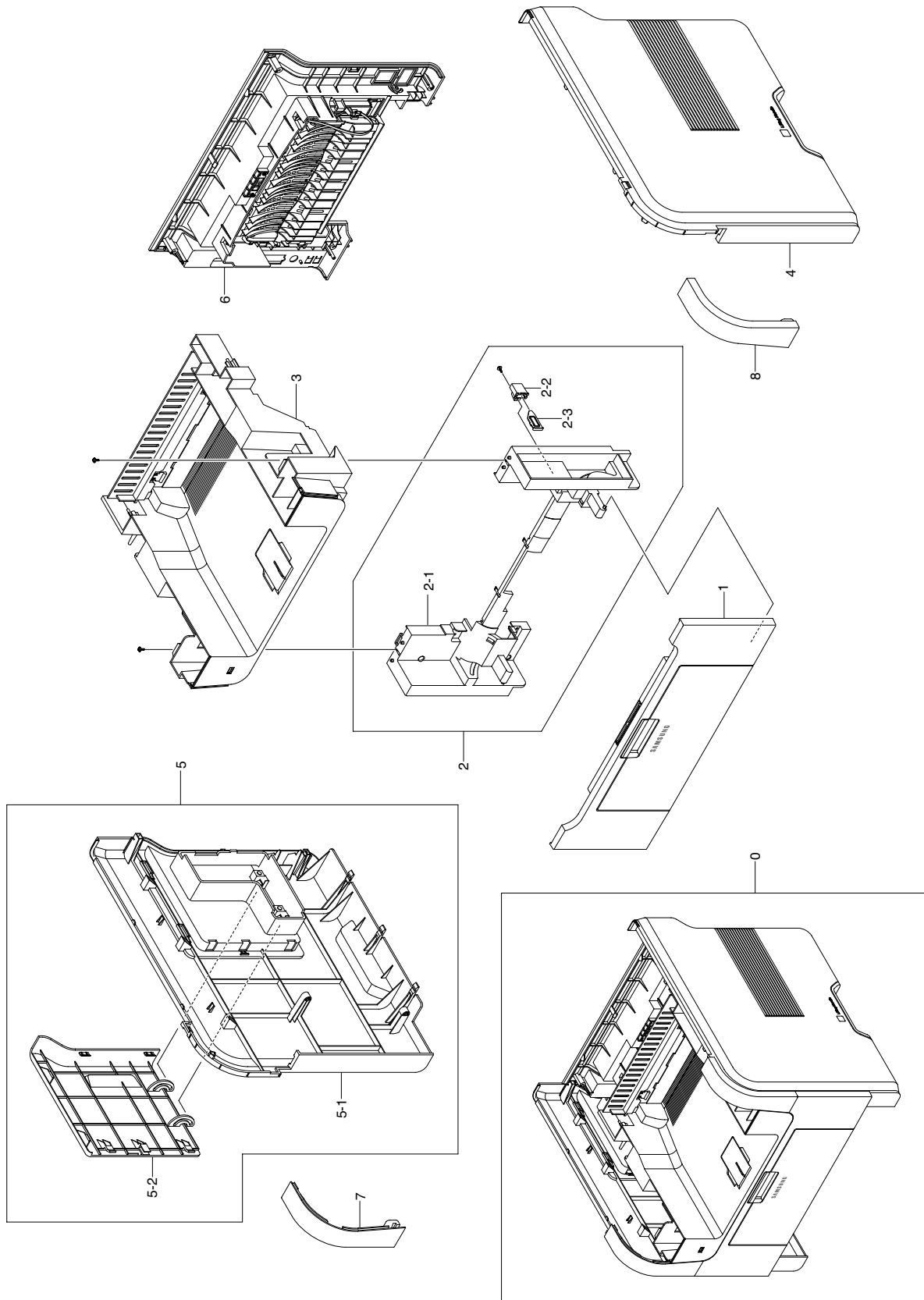
- **A/S privately used part** : It is only used for A/S .
- **Ass'y part** : Assembled by more than 2 Parts. If necessary part is not A/S Part, Ass'y part including necessary par can be used. It is shown in the diagram and drawing of SVC manual.
- Ass'y part and A/S privately used Part is distinguished by part Code and Description. The are inscription type 2. It is recognized by Part character and front side of description.

DIVISION	PART CODE	DESCRIPTION
A/S Private	**81-***** (JB81-00039A)	AS-***** (AS-USE)
ASS'Y Part	**75-***** (JB75-00068A)	MEC-***** (MEC-CHUTE)
ASS'Y Part	**92-***** (JB92-01131A)	PBA ***** (PBA MAIN-CONTROLLER)
ASS'Y Part	**97-***** (JB97-01089A)	MEA ***** (MEA UNIT-PULLEY IDLE)

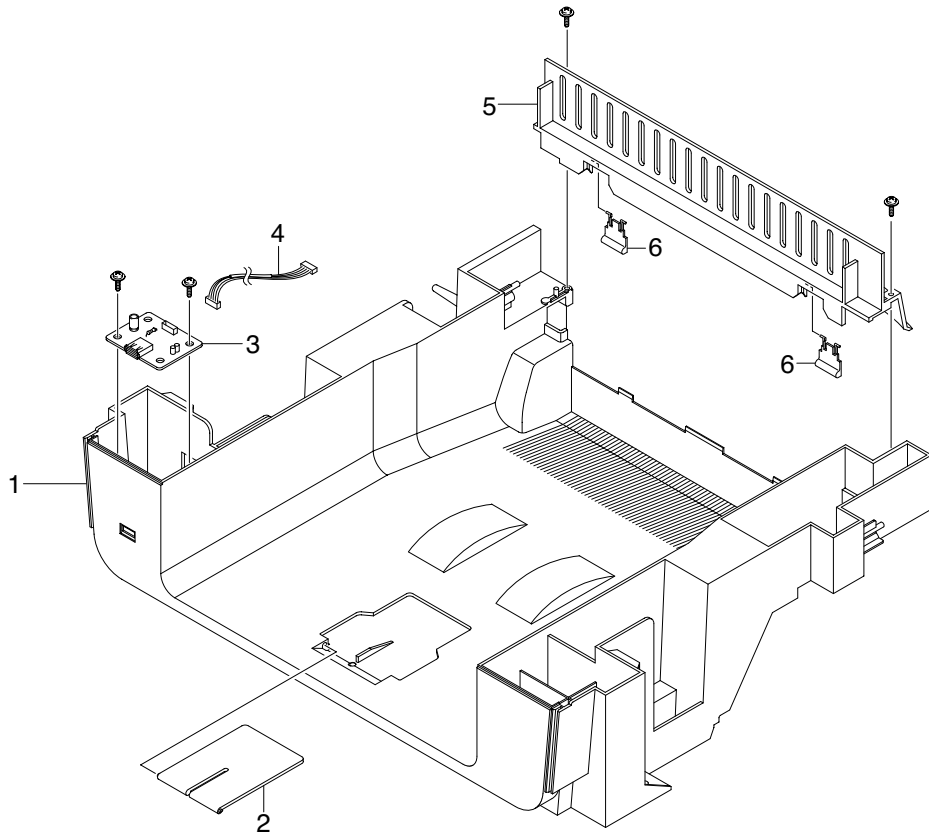
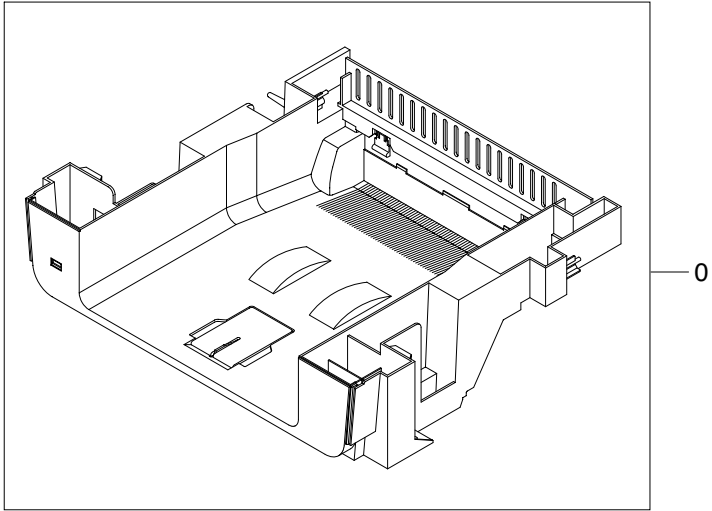
7.1 Main Exploded Views



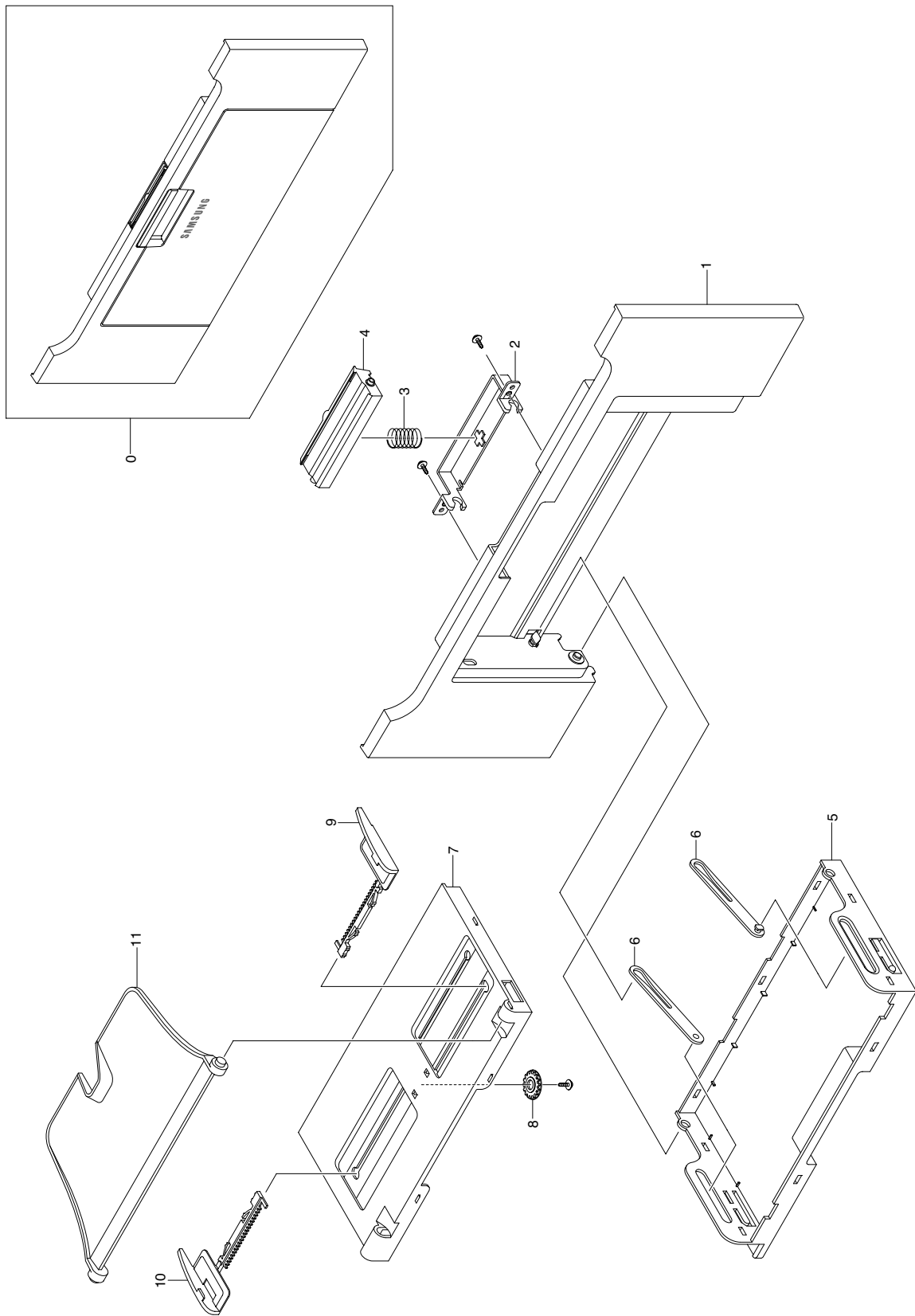
7.2 Cover Ass'y



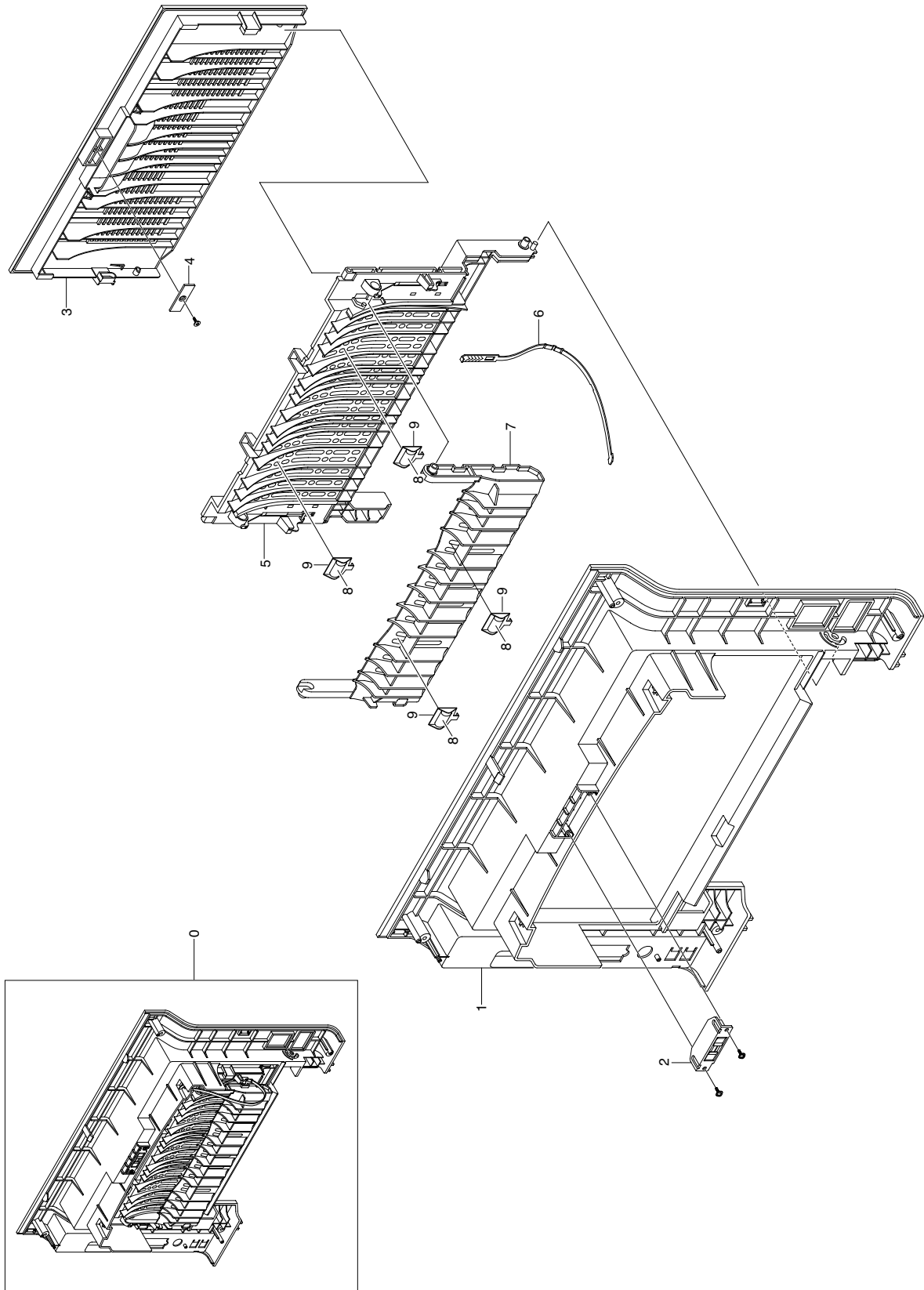
7.3 Middle Cover Ass'y



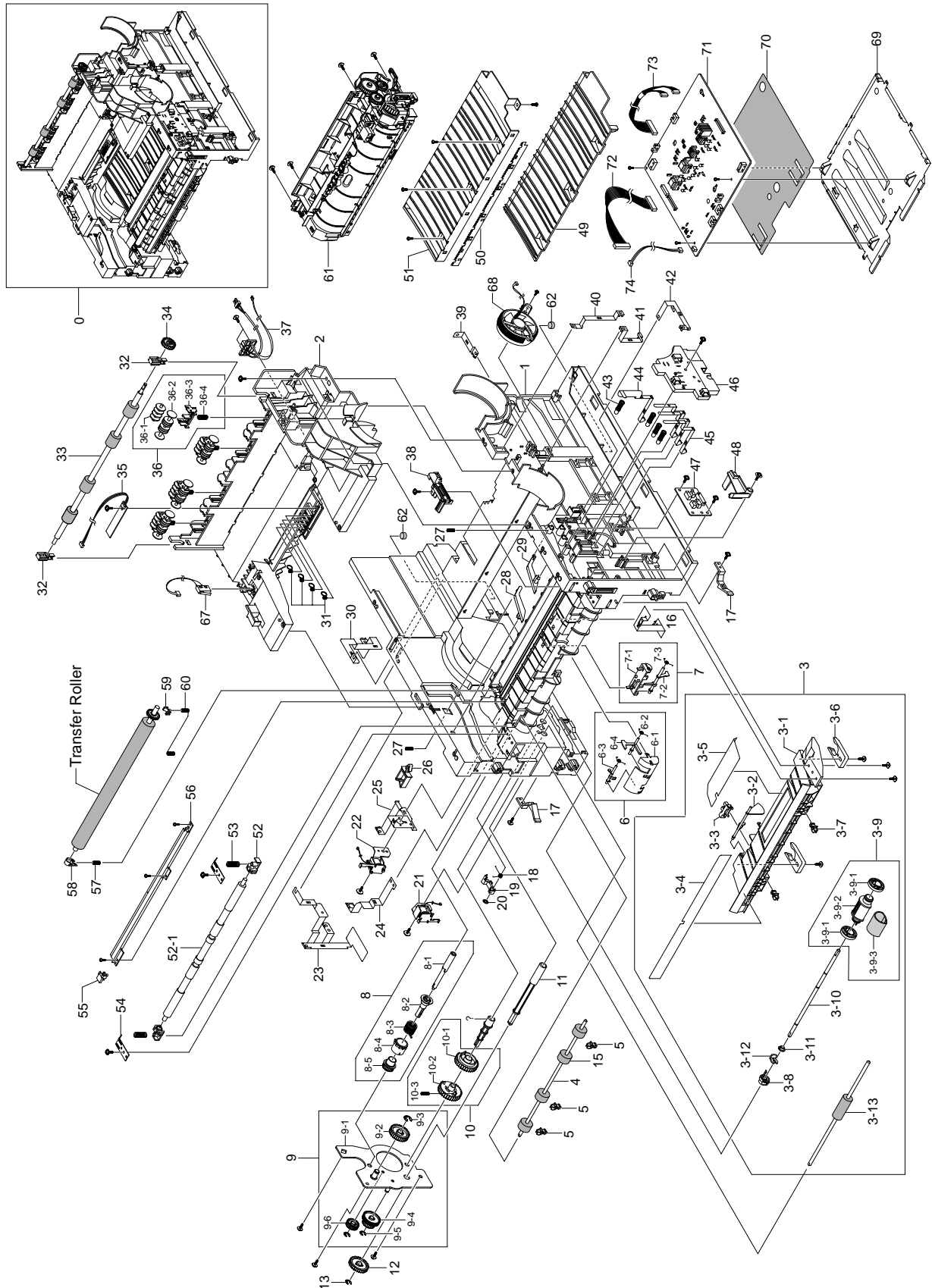
7.4 Front Cover Ass'y



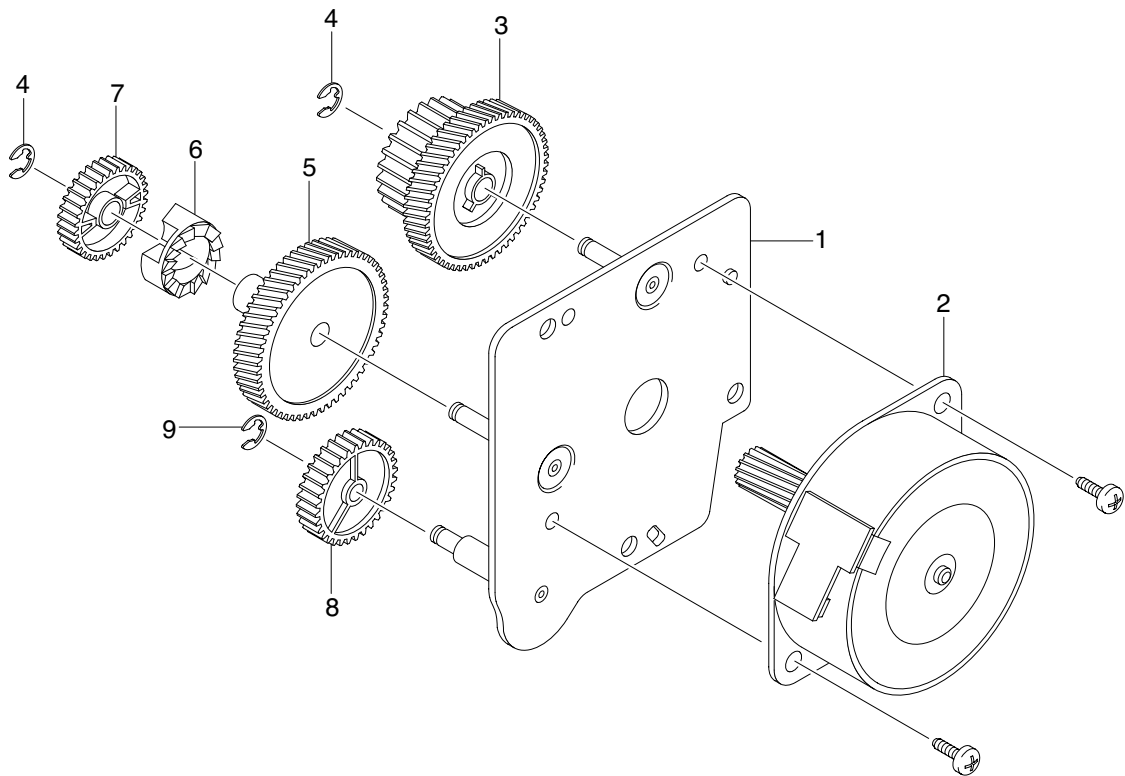
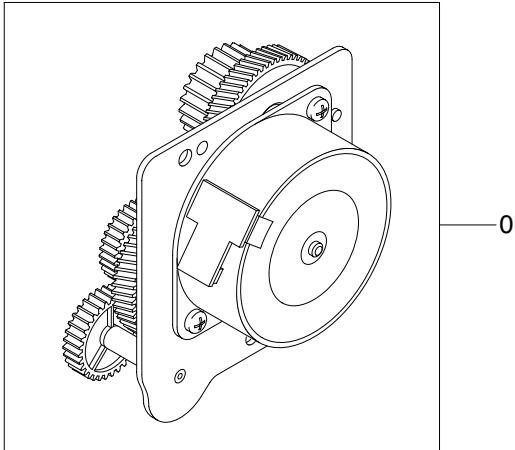
7.5 Rear Cover Ass'y



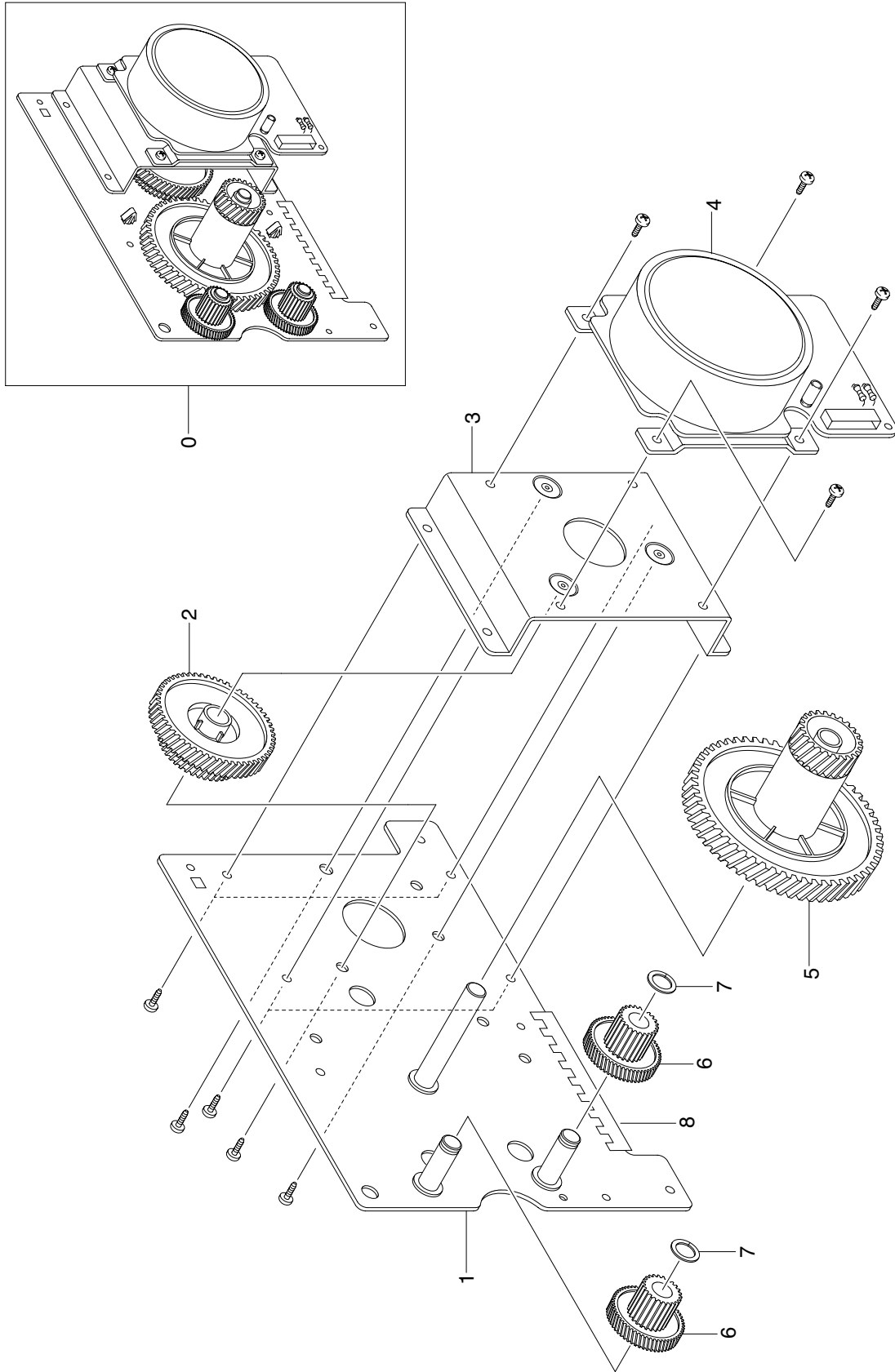
7.6 Frame Assembly



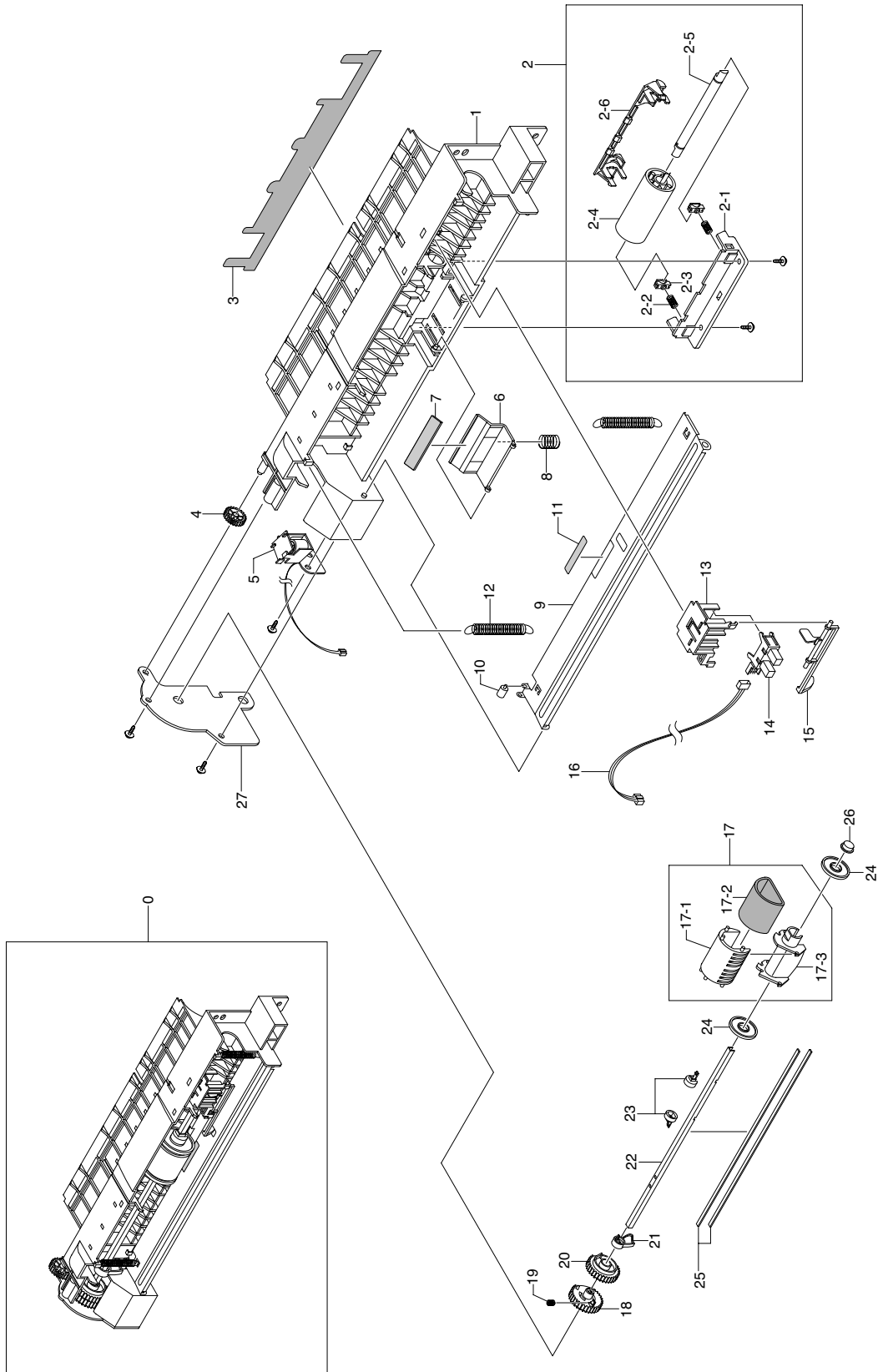
7.7 Fuser Drive Ass'y



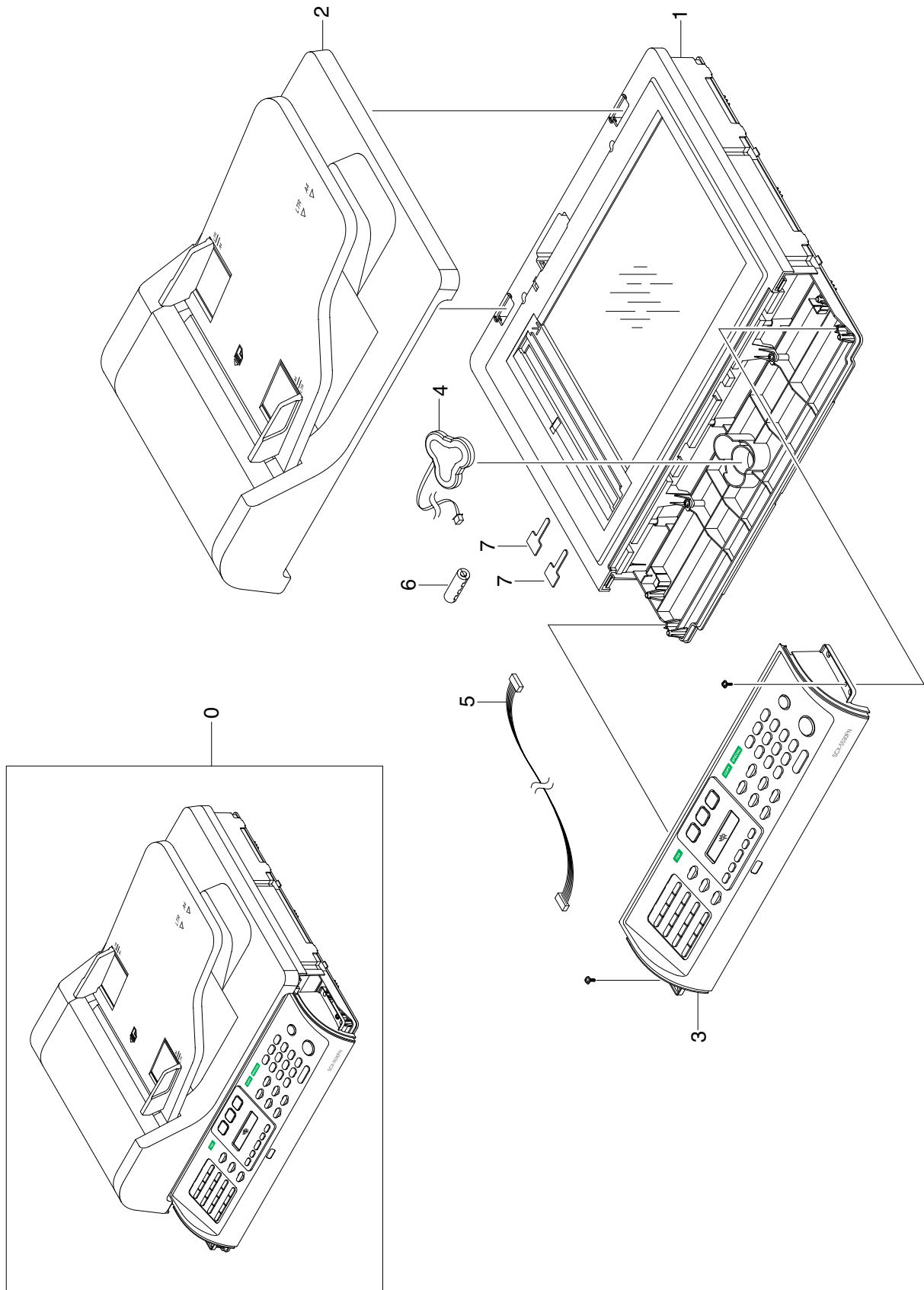
7.8 Main Drive Ass'y



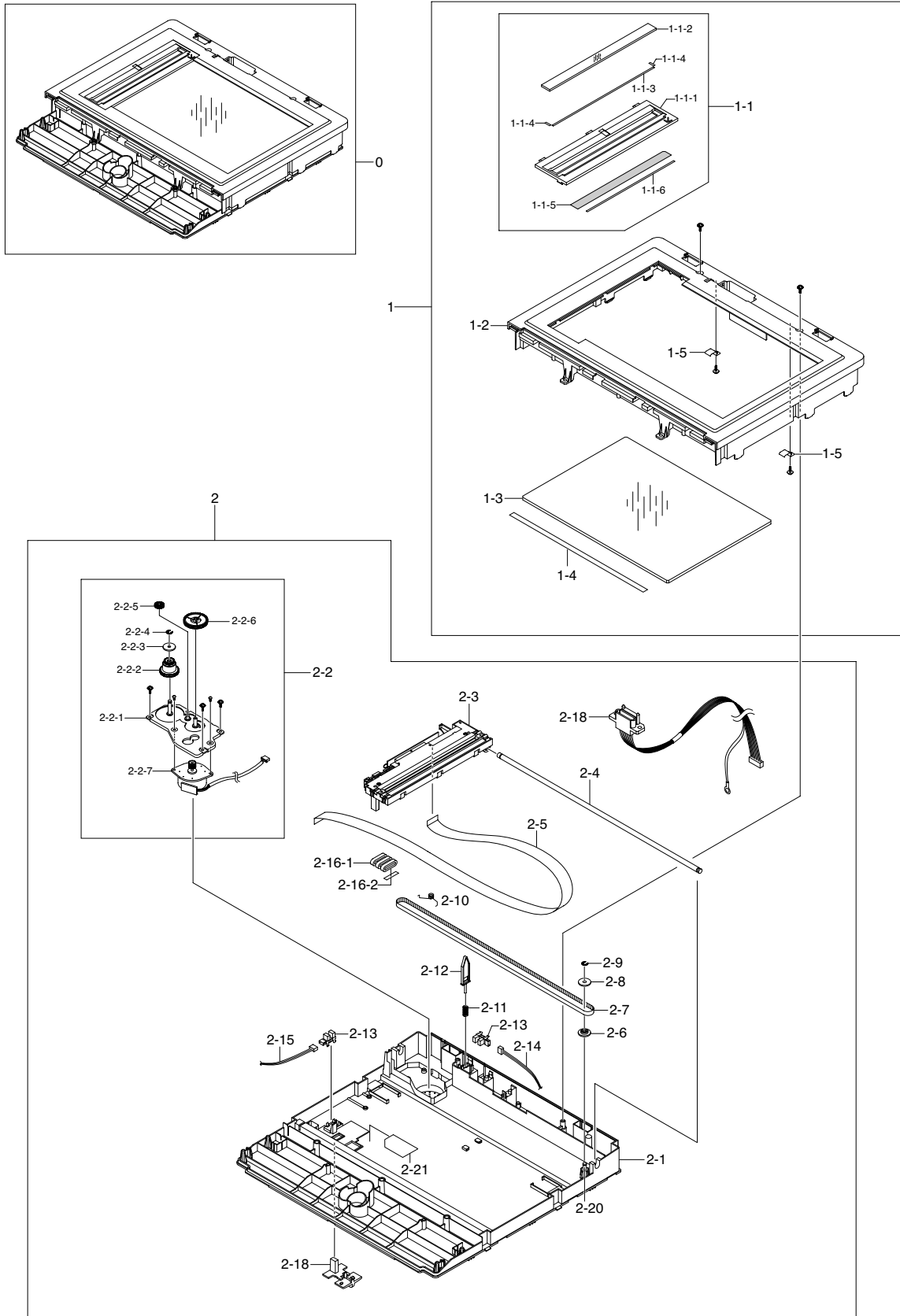
7.9 MP Ass'y



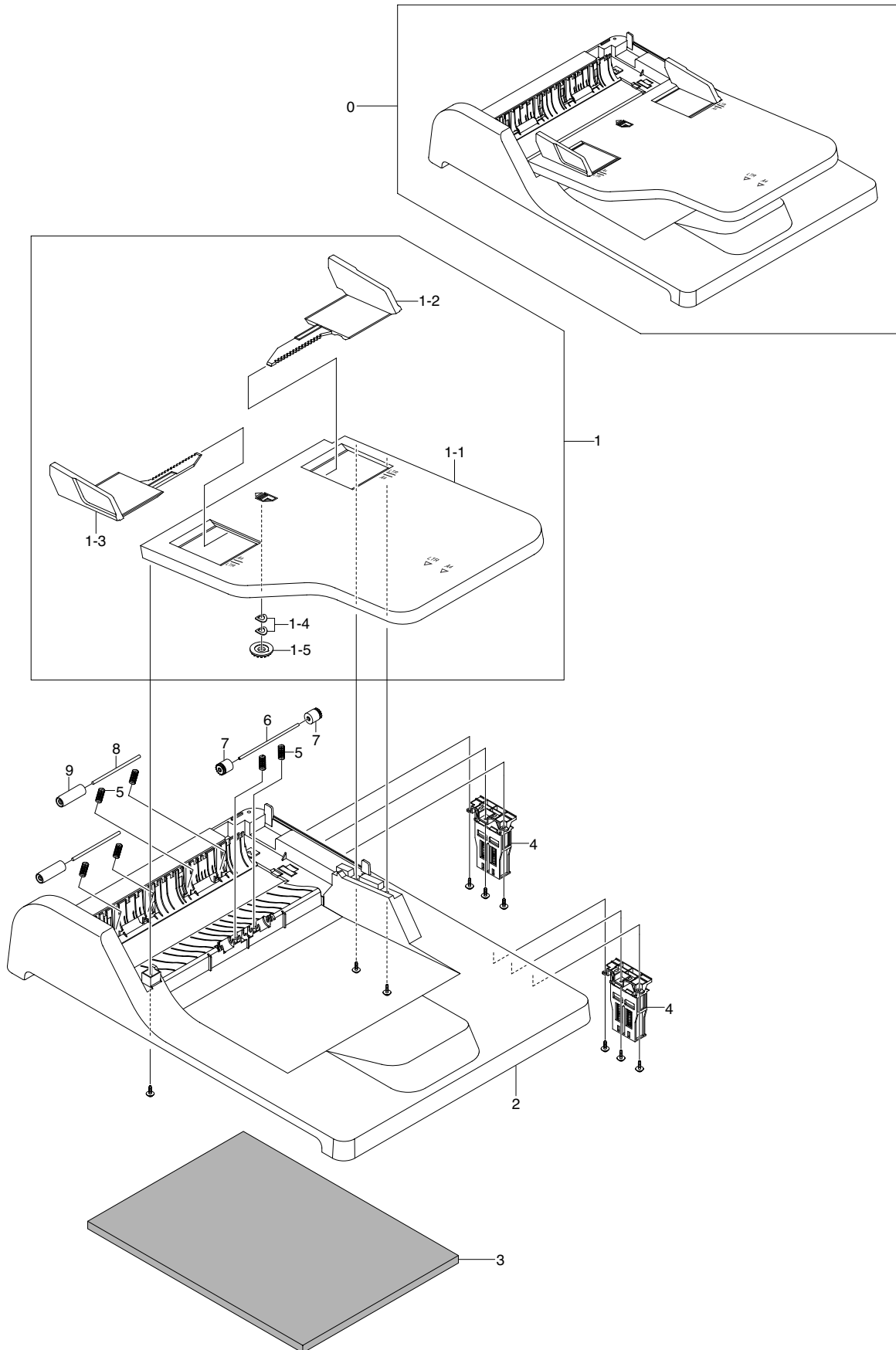
7.10 Scan Ass'y



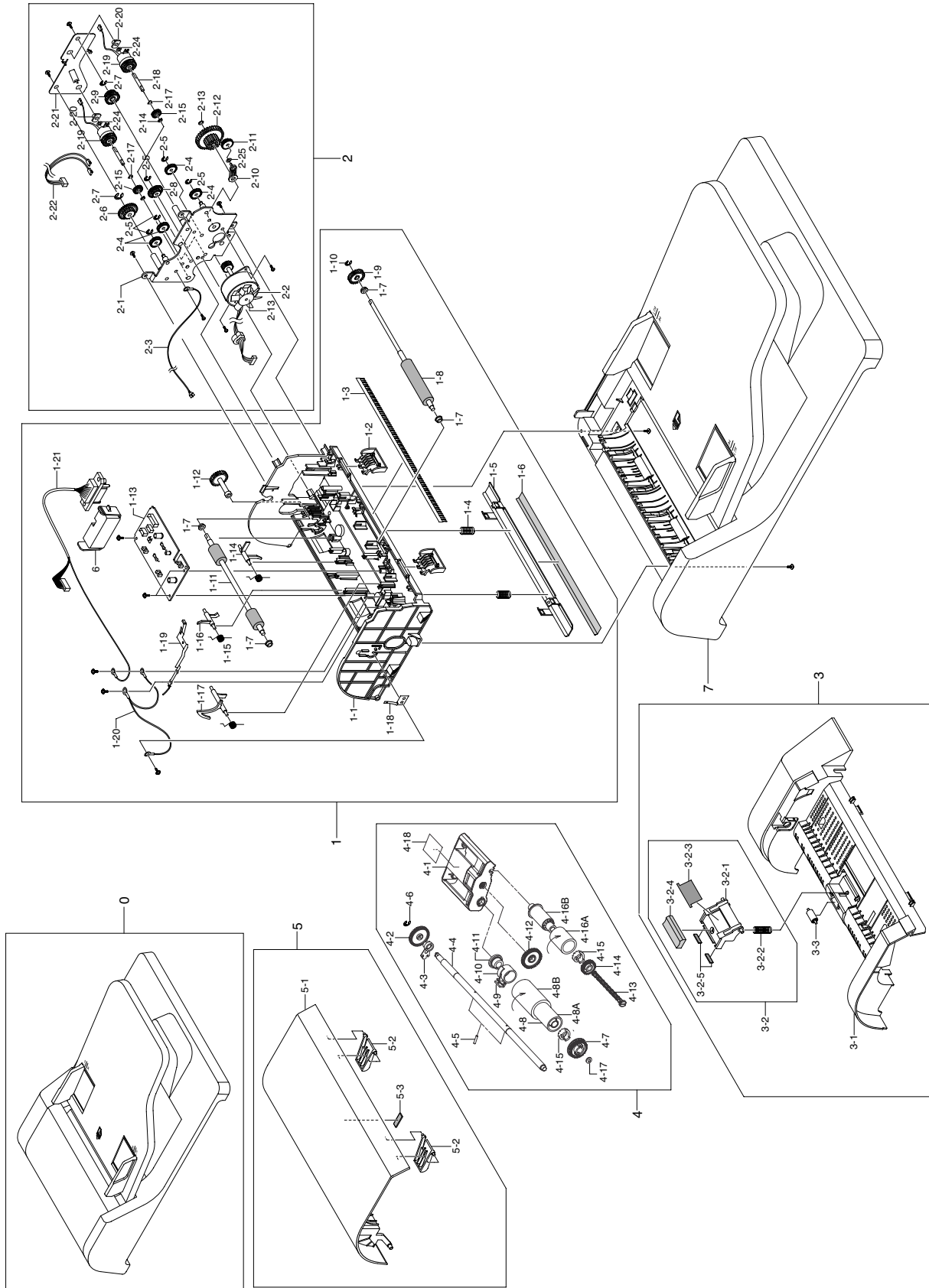
7.11 Platen Ass'y



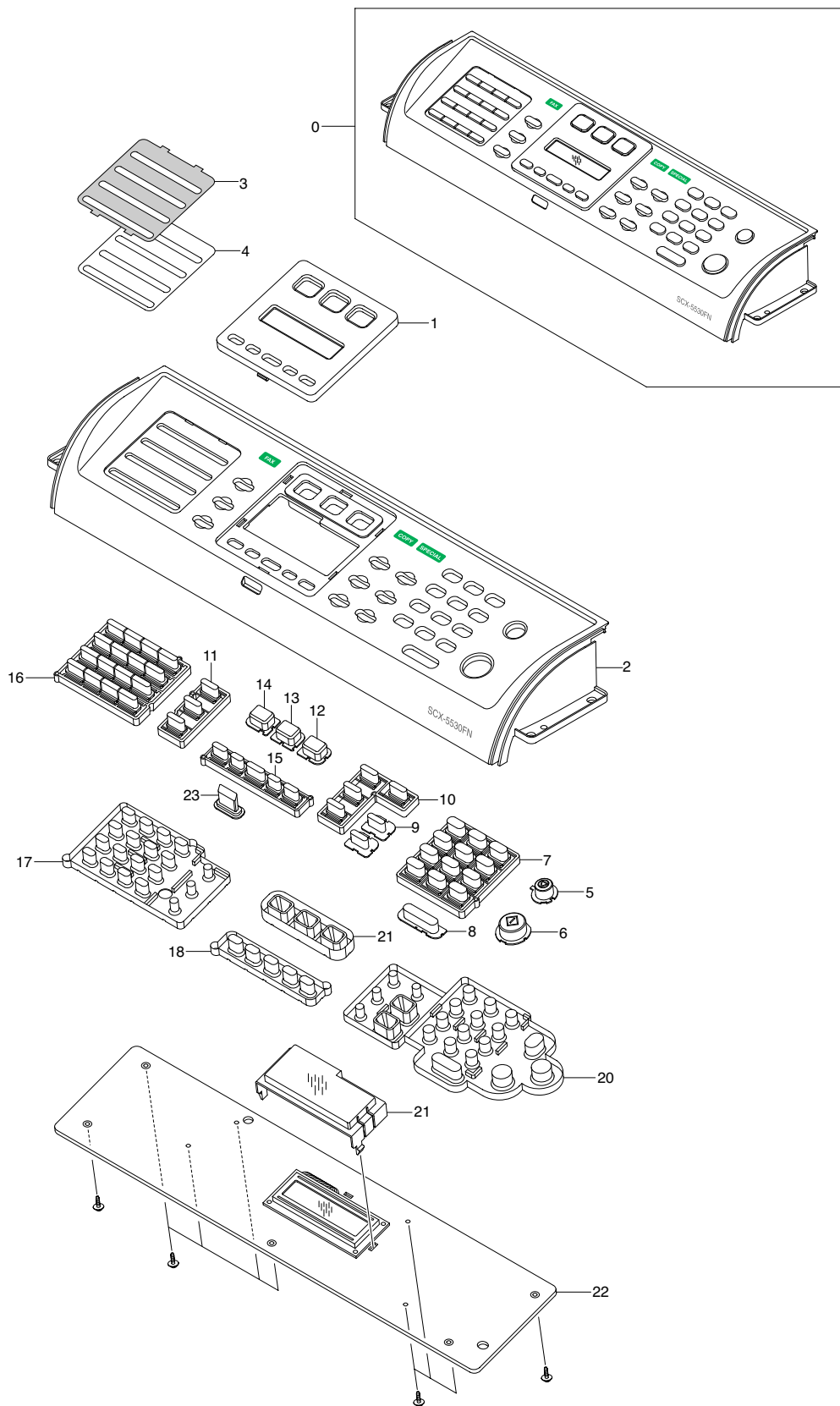
7.12 Cover Platen Ass'y



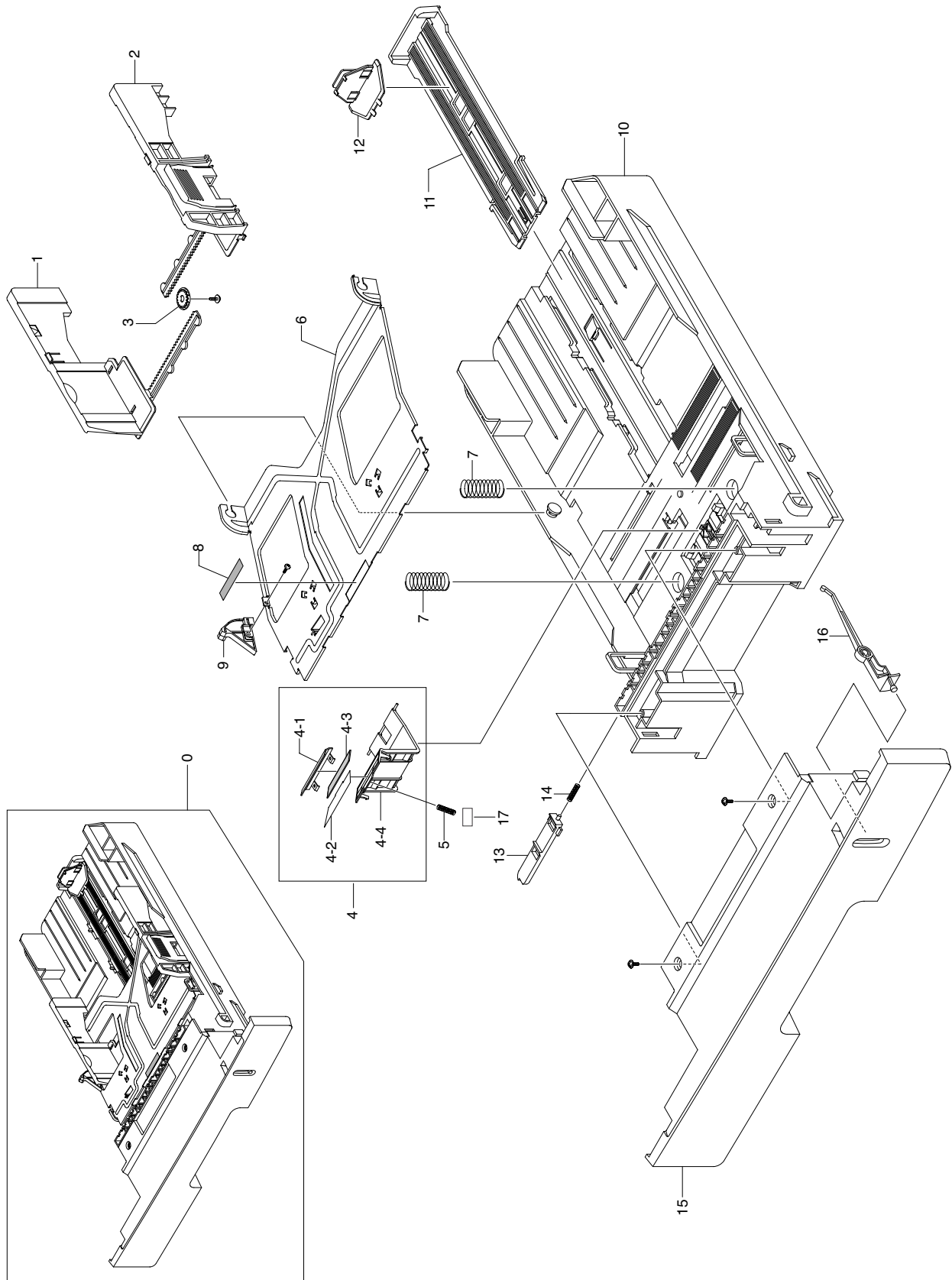
7.13 ADF Ass'y



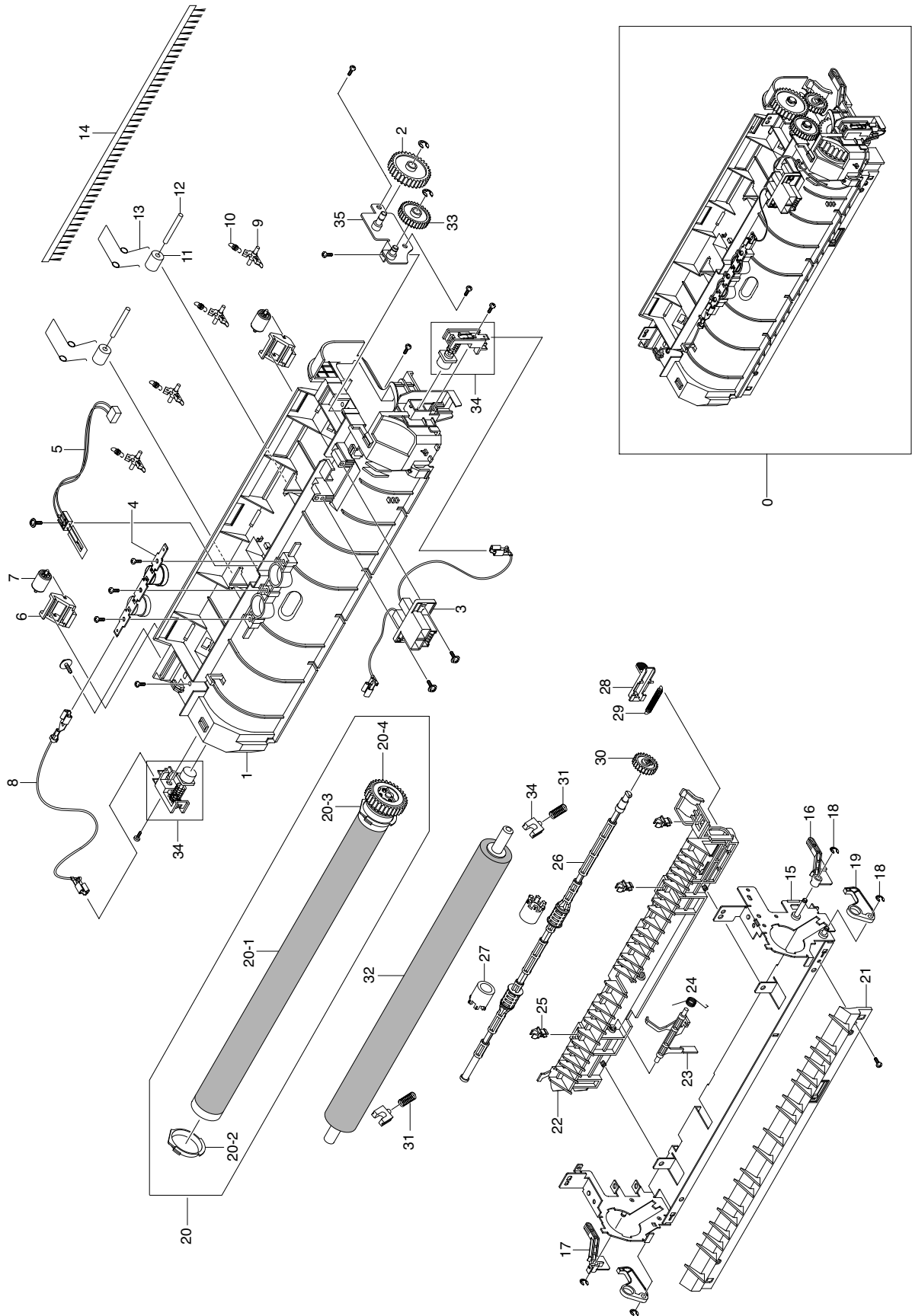
7.14 OPE Unit



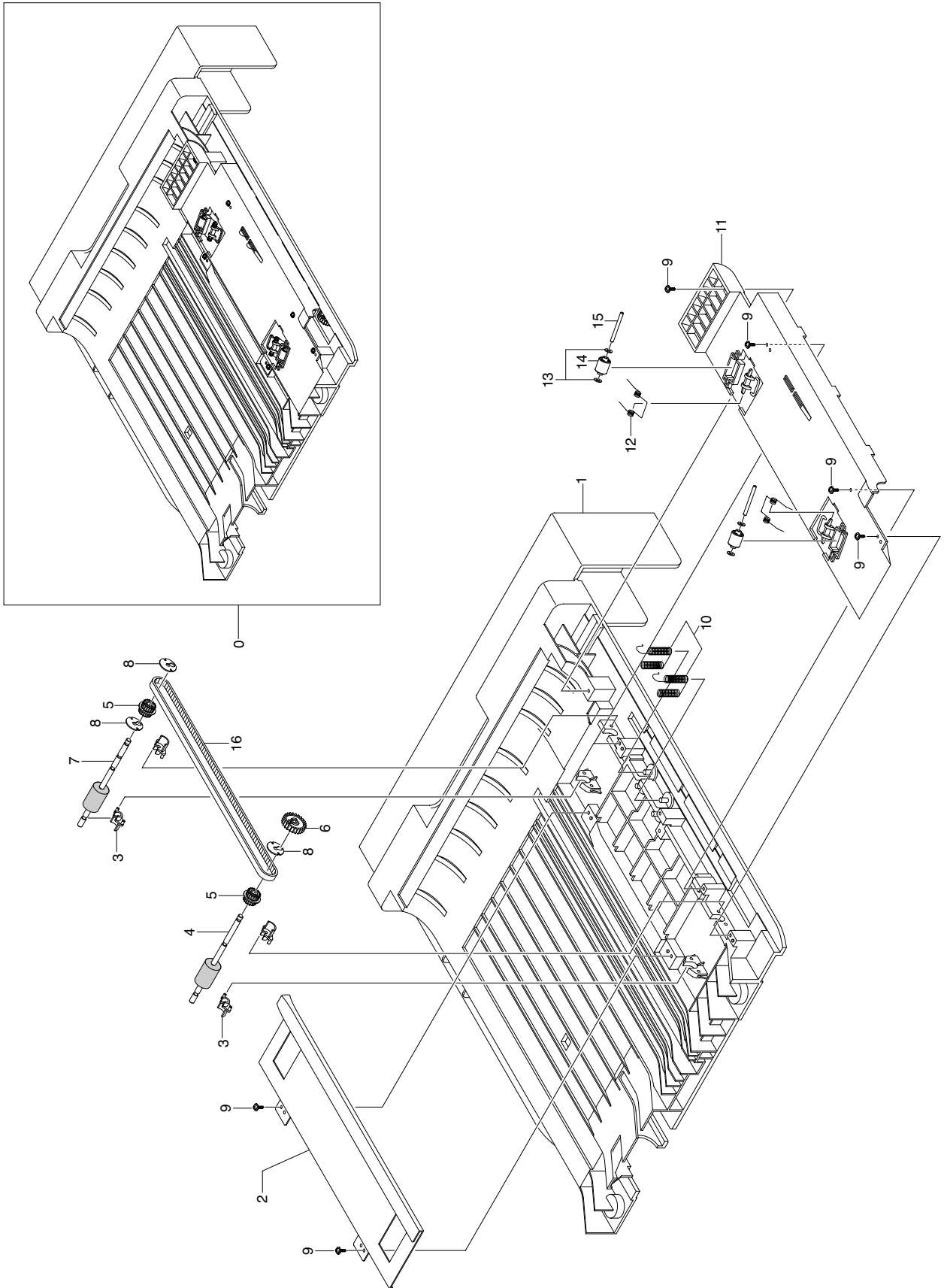
7.15 Cassette Ass'y



7.16 Fuser Ass'y



7.17 Duplex Unit(Optional)



Service Parts List (Model code : SCX-5530FN/XEN)

SA : SERVICE AVAILABLE SNA : SERVICE not AVAILABLE DNA : DELIVERY not AVAILABLE

Drawer#	SEC-Code	Description & Specification	Location	Service
7.1-1	JC96-03789A	ELA HOU-FRAME 220V;SCX-5530FN,-,-,220V E		SA
7.1-2	JC96-03866A	ELA HOU-FUSER DRIVE;SCX-5530FN,-,-,ELBER		SNA
7.1-3	JC96-03837A	ELA HOU-MPF;SCX-5530FN,-,-,-,-,-	D2156	SA
7.1-4	JC96-03762A	ELA UNIT-DUPLEX DRIVE;SCX-5530FN,SEC,-,-	D2102	SA
7.1-4-1	JC61-01599A	BRACKET-P-GEAR DUP;SCX-5530FN,SECC,1,2,6		SNA
7.1-4-2	JC31-00048A	MOTOR STEP-DUPLEX;M42SP-4NK,SCX-5530FN,0	D2109	SA
7.1-4-3	JC66-01159A	GEAR-DUP RDCN 45/19;SCX-5530FN,POM,0.4/0		SNA
7.1-5	JC39-00530A	CBF HARNESS-DPX MTR;SCX-5530FN,CBF,UL 10	D2112	SA
7.1-6	JC39-00538A	CBF HARNESS-ADF CLUT1;SCX-5530FN,CBF,UL		SA
7.1-7	JC96-03783A	ELA HOU-ADF MOTOR;SCX-5530FN,SEC,-,-,-,-		SA
7.1-8	JC97-02652A	MEA-TRANSFER ROLLER;SCX-5530FN,-,-,ELBER	D2128	SA
7.1-8-1	JC66-01181A	ROLLER-TRANSFER;SCX-5530FN,SUS303+NBR,15	D2146	SA
7.1-8-2	JC66-00395A	GEAR-TRANSFER;ML-1710,POM(M90-44),-,-,-	G0448	SA
7.1-9	JC63-00912A	SHIELD-P-CONTROLLER;SCX-5530FN,SECC,0.8,		SA
7.1-10	3001-001293	SPEAKER;0.3W,8OHM,81DB,450HZ	S6667	SA
7.1-11	JC92-01746A	PBA SUB-MODEM;SCX-5530FN,-,-,-,-,-,114		SA
7.1-12	JC39-00518A	CBF HARNESS-ENGINE;SCX-5530FN,CBF,UL 106	D2163	SA
7.1-13	JC92-01743A	PBA MAIN-CONTROLLER;SCX-5530FN,SEC,-,-,-,-		SA
7.1-14	JC96-03773A	ELA HOU-ADF;SCX-5530FN,SEC,-,-,-,-,-		SA
7.1-15	JC97-02391A	MEA-COVER;SCX-5530FN,-,-,ELBERT,-,-,-		SNA
7.1-16	JC96-03795A	ELA UNIT-DEVE INITIAL;SCX-5530FN/SEE,SEC		SNA
7.1-17	JC97-02413A	MEA UNIT-CASSETTE;SCX-5530FN,-,-,ELBERT,		SA
7.1-23	JC59-00027A	UNIT-LSU;SCX-5530FN,-,-,DUAL,SINGLE LD,4	D2115	SA
7.1-24	JC31-00025A	FAN-DC;AD0624MSA70GL(R1)DOL,CLP-500,PBT+	F0002	SA
7.1-25	JC31-00025B	FAN-DC;AD0624MS-A70GL,SCX-6345N/XRX,PBT+	D2107	SA
7.1-26	JC97-02393A	MEA UNIT-DUPLEX;SCX-5530FN,SEC,-,-,-,-,-	D2105	SA
7.1-27	JC63-00913A	SHIELD-P-SMPS;SCX-5530FN,SECC,0.8,191.76		SNA
7.1-28	JC39-00523A	CBF HARNESS-AC INLET;SCX-5530FN,CBF,UL16	D2110	SA
7.1-29	JC39-00524A	CBF HARNESS-LSU S/W;SCX-5530FN,CBF,UL 10	D2133	SA
7.1-30	JC63-00960A	SHEET-INSULATOR_SMPS;SCX-5530FN,PC V0,0.		SNA
7.1-31	JC44-00090A	SMPS-PSP_TYPE3_V2C;SCX-4521F,*,AC/DC,-,2	D2114	SA
7.1-32	JC39-00528A	CBF HARNESS-PAPER EMP;SCX-5530FN,CBF,UL	D2166	SA
7.1-33	3903-000042	CBF-POWER CORD;DT,EU,FP3/YES,IEC320 C13/	C0022	SA
7.2-1	JC97-02420A	MEA-COVER FRONT;SCX-5530FN,-,-,ELBERT,-,		SA
7.2-2	JC97-02419A	MEA-COVER MID FRONT;SCX-5530FN,-,-,ELBER		SA
7.2-2-1	JC63-00935A	COVER-M_MID FRONT;SCX-5530FN,HIPS,2.5,42		SNA
7.2-2-2	JC67-00068C	CAP-M_SUB ACTUATOR;SCX-5530FN,HIPS HB,-,		SNA
7.2-2-3	JC72-01339A	PMO-M-SUB ACTUATOR;ML-2250,POM,-,46.3*20	A0004	SNA
7.2-3	JC96-03793A	ELA HOU-COVER MID;SCX-5530FN,-,-,ELBERT,		SA
7.2-4	JC63-00928A	COVER-M_SIDE R;SCX-5530FN,PC+ABS,2.5,409		SA
7.2-5	JC97-02417A	MEA-COVER SIDE L;SCX-5530FN,-,-,ELBERT,-		SA
7.2-5-1	JC63-00929A	COVER-M_SIDE L;SCX-5530FN,PC+ABS,2.5,409		SNA
7.2-5-2	JC63-00930A	COVER-M_DIMM;SCX-5530FN,PC+ABS,2.5,213.7		SNA
7.2-6	JC97-02418A	MEA-COVER REAR;SCX-5530FN,-,-,ELBERT,-,-		SA
7.2-7	JC63-00934A	COVER-M_LEFT UPPER;SCX-5530FN,HIPS,2.5,9		SA
7.2-8	JC63-00933A	COVER-M_RIGHT UPPER;SCX-5530FN,HIPS,2.5,		SA
7.3-1	JC63-00927A	COVER-M_MIDDLE;SCX-5530FN,HIPS,2.5,331.6		SA
7.3-2	JC63-00944A	COVER-M_STACKER RX;SCX-5530FN,HIPS,2.5,7		SA
7.3-3	JC92-01636A	PBA SUB-USB HOST;SCX-4720F,SEC,-,USB HOS	L0439	SA
7.3-4	JC39-00397A	CBF HARNESS-USB HOST;SCX-4720F,CBF,UL 10		SA
7.3-5	JC63-00938A	COVER-M_REAR UPPER;SCX-5530FN,ABS,2.5,28		SA
7.3-6	JC72-01001A	PMO-SUB STACKER;ML-1400,PC,-,32*4.8*25.5	O1104	SA
7.4-1	JC63-00932A	COVER-M_FRONT;SCX-5530FN,HIPS,2.5,461.31		SNA
7.4-2	JC61-00953D	HOLDER-M_LOCKER;SCX-5530FN,HIPS HB,-,113		SA

SA : SERVICE AVAILABLE SNA : SERVICE not AVAILABLE DNA : DELIVERY not AVAILABLE

Drawer#	SEC-Code	Description & Specification	Location	Service
7.4-3	JG61-70549A	SPRING ETC-CIS(C2);SF4400,SUS304WPB,D11.	C5029	SA
7.4-4	JC64-00154C	KNOB-M_LOCKER;SCX-5530FN,HIPS,-,84.1,34.		SA
7.4-5	JC63-00447E	TRAY-M-ASF_FOLDER;ML-3051ND,HIPS,2.5,235	D2138	SA
7.4-6	JC63-00444A	TRAY-M-LINK_MP;ML-2250,PC,2,74.9,9.3,-,-	T4137	SA
7.4-7	JC63-00945A	TRAY-M-ASF_INPUT;SCX-5530FN,HIPS,2.5,295		SNA
7.4-8	JG66-40003A	GEAR-PINION;SF4000,POM,WHT,M1,Z16	O1127	SA
7.4-9	JC70-00479D	ADJUST-M_MP R;SCX-5530FN,ABS,-,82,128.4,		SNA
7.4-10	JC70-00478D	ADJUST-M_MP L;SCX-5530FN,ABS,-,82,128.4,		SNA
7.4-11	JC63-00446E	TRAY-M-ASF_INPUT UPPER;ML-3051ND,HIPS,-,	D2137	SA
7.5-1	JC63-00931A	COVER-M_REAR;SCX-5530FN,PC+ABS,2.5,403.2		SNA
7.5-2	JC61-00961A	MAGNET-CATCH DELL;SCX-4920N,MAGNET,11.5,		SNA
7.5-3	JC63-00936A	COVER-M_FACE UP;SCX-5530FN,ABS,2.5,289.5		SNA
7.5-4	JC61-00962A	PLATE-MAGNET CATCH;SCX-4920N,STEEL,1.4+0		SNA
7.5-5	JC63-00937A	COVER-M_STACKER REAR;SCX-5530FN,ABS,2.5,		SNA
7.5-6	JC61-01653A	STOPPER-M-STRAP;SCX-5530FN,PE BOX 7033,T		SNA
7.5-7	JC61-01583A	GUIDE-OUTPUT FUSER;SCX-5530FN,PC,2.5,248		SNA
7.6-1	JC61-01620A	FRAME-M_BASE;SCX-5530FN,PC+ABS,-,V0,BLK,		SNA
7.6-2	JC61-01621A	FRAME-M_EXIT;SCX-5530FN,PC,-,V0,BLK,2.5,		SNA
7.6-3	JC96-03829A	ELA HOU-GUIDE DUP F;SCX-5530FN,-,-,ELBER	D2155	SA
7.6-3-1	JC61-01600A	GUIDE-M_FRONT DUPLEX;SCX-5530FN,PC-GF20,		SNA
7.6-3-2	JC66-01187A	LEVER-ACTUATOR EMPTY;SCX-5530FN,PC,?,?,-,	D2171	SA
7.6-3-3	0604-001154	PHOTO-INTERRUPTER;TR,0.2-1.0MA,80MW,DIP,	P0012	SA
7.6-3-4	JC63-01095A	SHEET-GUIDE DUP_OUT;SCX-5530FN,PET,0.188		SNA
7.6-3-5	JC63-00992A	SHEET-GUIDE FRONT DU;SCX-5530FN,PET,0.18		SNA
7.6-3-6	JC66-01170A	CAM-SHAFT PICK UP;SCX-5530FN,POM(M9044),		SNA
7.6-3-7	JC72-00382B	PMO-BUSHING FEED;ML-1710,POM(DERLIN 8903	O1102	SA
7.6-3-8	JC61-01367A	FIXER-M_E RING 4PI;SCX-6345N/XRX,POM,T1.		SNA
7.6-3-9	JC97-02441A	MEA-ROLLER PICK UP;SCX-5530FN,-,-,ELBERT	D2175	SA
7.6-3-9-1	JC66-01169A	ROLLER-IDLE PICK UP;SCX-5530FN,POM,28.5,	D2181	SA
7.6-3-9-2	JC61-01601A	HOUSING-M_PICK UP;SCX-5530FN,PC+ABS,-,17	D2178	SA
7.6-3-9-3	JC66-01168A	ROLLER-PICK UP;SCX-5530FN,EPDM+IR,25.0,2	D2180	SA
7.6-3-10	JC66-01171A	SHAFT-PICK UP;SCX-5530FN,SUM22+NI,130.0,		SNA
7.6-3-11	JC72-41364A	PMO-BUSHING_P/U,MP;ML-6100,POM,BLACK,-,C	P0035	SA
7.6-3-12	JC66-00050A	CAM-CATCH;ML-9400W,POM,-,34;18;7,WHITE S	C0004	SA
7.6-3-13	JC66-01173A	ROLLER-FEED;SCX-5530FN,EPDM+SUM22+NI,13.	D2170	SA
7.6-4	JC66-00527A	SHAFT-FEED IDLE;ML-1510,SUM24L+NI,223,8,	F6209	SA
7.6-5	JC61-00585A	BUSH-M-FEED IDLE;ML-1710,POM(CF620-GF20%	F6043	SA
7.6-8	JC97-01788A	MEA UNIT-CLUTCH;ML-1710,SAMSUNG,-,-,-,-,	C9040	SA
7.6-8-1	JC66-00398A	SHAFT-FEED;ML-1710,POM(M90-44),-,-,NTR,-	F6210	SA
7.6-8-2	JC72-00981A	PMO-HUB CLUTCH;ML-1710,POM(M90-44),NTR,-		SNA
7.6-8-3	6107-001156	SPRING-TS;SWP-B,-,PI0.6,-,-,W20,ID3.5,		SA
7.6-8-3	6107-001171	SPRING-TS;SWRS82A,-,0.75X0.5,D14.2,-,-,-	Z4161	SA
7.6-8-3	6107-001238	SPRING-TS;SUS304-WPB,-,PI0.5,D2.4,L16.4,		SNA
7.6-8-4	JC72-00978A	PMO-COLLAR_SPRING;ML-1710,POM(M90-44),NT	Z4125	SA
7.6-8-5	JC66-00393A	GEAR-FEED 1;ML-1710,POM(DELIN 8903),-,-,	F6071	SA
7.6-9	JC97-02394A	MEA UNIT-BRACKET FEED;SCX-5530FN,SEC,-,-		SNA
7.6-9-1	JC61-01582A	BRACKET-P-FEED;SCX-5530FN,SECC,1.0,88.8		SNA
7.6-9-2	JC66-01166A	GEAR-IDLE Z29 HELICAL;SCX-5530FN,POM,0.5		SNA
7.6-9-3	6044-000231	RING-E;ID5.0,OD11.0,T0.6,PASS,STS304	R0006	SA
7.6-9-4	JC66-01164A	GEAR-RETARD 39/19;SCX-5530FN,POM,0.5/0.8		SNA
7.6-9-5	JC66-00484A	GEAR-T2 IDEL_Z27;CLP-500,POM,DE8903,M0.8	G0432	SA
7.6-9-6	6044-000125	RING-E;ID4,OD9,T0.6,PASS,STSC	R0004	SA
7.6-10	JC97-02648A	MEA UNIT-GEAR PICK UP;SCX-5530FN,-,-,-,-	D2157	SA
7.6-10-1	JC66-01183A	GEAR-PICK UP_INNER;SCX-5530FN,POM,0.8,33		SNA
7.6-10-2	JC66-01184A	GEAR-PICK UP_OUTER;SCX-5530FN,POM,0.8,33		SNA
7.6-10-3	6107-001193	SPRING-CS;SUS304-WPB,YEL,PI1.1,D6.1,L19.	S0032	SNA
7.6-10-3	6107-001167	SPRING-CS;SUS304-WPB,-,PI0.25,D3.25,L9.6		SA
7.6-10-3	6107-001172	SPRING-CS;SUS304,-,PI0.5,D6.7,L17.5,-,-,	S0035	SA

SA : SERVICE AVAILABLE SNA : SERVICE not AVAILABLE DNA : DELIVERY not AVAILABLE

Drawer#	SEC-Code	Description & Specification	Location	Service
7.6-10-3	6107-001303	SPRING-CS;SWP-B,-,PI1.3,-,L45.5,-,-,ID4.		SNA
7.6-11	JC66-01160A	SHAFT-M_FEED2;SCX-5530FN,POM(M90-44),72.		SNA
7.6-12	JC66-01165A	GEAR-FEED2 Z27;SCX-5530FN,POM,0.8,Z27,W4		SNA
7.6-15	JC66-00526A	ROLLER-FEED ROLLER 1;ML-1510,SUM24L+NI+E	F6201	SA
7.6-17	JC72-00983A	PMO-LOCKER CST;ML-1710,POM(DELIN 900P),W	L6030	SA
7.6-18	6107-001170	SPRING-TS;SWP-B,-,PI0.9,D6.0,-,-,ID5.2	Z4162	SA
7.6-19	JC66-00377A	CAM-M-PICK_UP;ML-1710,POM(DELIN 8903),-	P2042	SA
7.6-20	6044-000001	RING-CS;ID3,OD3,T0.25,BLACK,SUS304		SNA
7.6-21	JC33-00010A	SOLENOID-HB (MANUAL);-,ML-1510,DC24V,-,-	S8015	SA
7.6-22	JC33-00014A	SOLENOID-FEED ROCKY2;-SCX-4920,-,-,-,-	P2162	SA
7.6-23	JC63-00917A	GROUND-P-DRIVE;SCX-5530FN,SUS301-1/2H,0.		SNA
7.6-24	JC63-00923A	GROUND-P-PUSH BUSHING;SCX-5530FN,C5210P,		SNA
7.6-25	JC63-00922A	GROUND-P-DRIVE2;SCX-5530FN,SUS301-1/2H,0		SNA
7.6-26	6502-000121	CABLE CLAMP;DAMC-101,D7~8,L19,SCP-1,NTR		SNA
7.6-26	6502-001093	CABLE CLAMP;DAWS-3NE,ID11*L34.8,-,NYLON6	C0002	SA
7.6-27	JC61-70932A	SPRING ETC-GUIDE DEVE;ML-5000A,-,D4.3,-,	Z4159	SA
7.6-28	JC72-00984A	PMO-PLATE GUIDE DEVE_L;ML-1710,POM(M90-4	G2285	SA
7.6-29	JC72-00985A	PMO-PLATE GUIDE DEVE_R;ML-1710,POM(M90-4	G2286	SA
7.6-30	JC63-00926A	GROUND-P-SHIELD;SCX-5530FN,C5210P,0.2,40		SNA
7.6-31	JC65-00019A	TERMINAL-CRUM;SCX-5530FN,SUS304WPB,-,-,P	D2144	SA
7.6-32	JC61-00829A	HOLDER-BEARING EXIT F/DOWN;SCX-4216F,POM	H4009	SA
7.6-33	JC97-01034A	MEA RACK-EXIT ROLLER;ML-1605,SUMSUNG,KOR	E4060	SA
7.6-34	JC66-01196A	ROLLER-EXIT F/DOWN;SCX-5530FN,SUM22 + EP		SNA
7.6-35	JC92-01829A	PBA SUB-TERMINAL;SCX-5530FN,SEC,-,-,-,-		SA
7.6-36-1	JC72-41008A	PMO-ROLLER FD R;ML-165,POM,BLACK,-,-,-,-	P0049	SA
7.6-36-2	JC72-41007A	PMO-ROLLER FD F;ML-165,POM,BLACK,-,-,-,-	P0048	SA
7.6-36-3	JC72-41006A	PMO-HOLDER EXIT ROLL;ML-165,PC,BLK,HB,-	E4126	SA
7.6-36-4	JC61-70911A	SPRING ETC-EXIT ROLL FD;ML-165,SUS304 WP	O1053	SA
7.6-39	JC63-00920A	GROUND-P-FUSER;SCX-5530FN,SUS301-1/2H,0.		SNA
7.6-40	JC63-00925A	GROUND-P-MOTOR FUSER;SCX-5530FN,C5210P,0		SNA
7.6-41	JC63-00924A	GROUND-P-SHIELD SMPS;SCX-5530FN,C5210P,0		SNA
7.6-42	JC63-00921A	GROUND-P-GUIDE TR;SCX-5530FN,C5210P,0.2,		SNA
7.6-43	JC75-00049A	MEC-TERMINAL;SF-5100,SAMSUNG,-,-,-,-,-	K3739	SA
7.6-43-1	JC61-00035A	SPRING ETC-HV APOLLO;SF-5100,SUS304WPB,0		SNA
7.6-43-2	JC70-00050A	IPR-TERMINAL;SF-5100,SWRCH1018,-,-,-,-,8		SNA
7.6-44	JC65-00014A	TERMINAL-P-HV CR;SCX-5530FN,SUS301-CSP 3		SNA
7.6-45	JC70-00312A	IPR-P-TERMINAL CON;ML-1710,SUS304-CSP,-,	K3385	SA
7.6-46	JC61-01584A	HOUSING-M_TERMINAL;SCX-5530FN,ABS(NH-100		SNA
7.6-47	JC92-01828A	PBA SUB-CONNECTION;SCX-5530FN,SEC,-,-,-,-	D2154	SA
7.6-48	JC72-00974A	PMO-ACTUATOR CVR OPEN;ML-1710,PC V0(NH10	O1073	SA
7.6-49	JC61-01746A	GUIDE-TR RIB;SCX-5530FN,PC+ABS,-,78.9,23		SNA
7.6-50	JC61-00604B	PLATE-E_SAW;SF-755P,SUS304-CSP 1/2H,0.1,	P5152	SA
7.6-51	JC61-00607A	GUIDE-P-TR;ML-1710,SECC,0.5,239.1,76.4,-	G2089	SA
7.6-53	JC61-70958A	SPRING ETC-TR;ML-5000A,SUS304 WPB,PI0.55	Z4163	SA
7.6-54	JC61-00914A	PLATE-P-PUSH BUSHING;SCX-4920N,SECC,0.8,	K3234	SNA
7.6-55	JC61-00907A	HOLDER-M-PTL R2;SCX-4920N,PC(NH-1023P),1	H4041	SA
7.6-56	JC70-00307A	IPR-P-EARTH TRANSFER;ML-1710,SECC,-,1.0T	O1094	SA
7.6-57	JC61-00047A	SPRING ETC-TR L HAWK;ML-6060A,SWP-B,-,-,	O1030	SA
7.6-58	JC61-00588A	BUSH-M-TR L;ML-1710,POM(M90-44),-,-,-,BL	K2886	SA
7.6-59	JC72-00102A	PMO-BUSHING_TR(L);SF-5100,POM (CH-15),BL	O1101	SA
7.6-60	JC63-00918A	GROUND-P-EARTH TR;SCX-5530FN,SUS301-1/2H		SNA
7.6-62	JC61-00835A	FOOT-BACK;ML-1750,NBR,D13.6,-,10.5,-,-	F1010	SA
7.6-63	6107-001164	SPRING-TS;SUS304-WPB,-,PI0.15,D3.95,L12,	Z4156	SA
7.6-64	JC61-01619A	HOLDER-M_ACT REGI;SCX-5530FN,ABS,2.0,60.		SNA
7.6-65	JC66-01191A	LEVER-M_ACTUATOR REGI;SCX-5530FN,PBT+GF3		SNA
7.6-66	JC66-01190A	LEVER-M_ACT DUP OUT;SCX-5530FN,PBT+GF30%		SNA
7.6-67	JC61-01618A	HOLDER-M_ACT FEED;SCX-5530FN,ABS,2.0,49.		SNA
7.6-69	JC63-00914A	SHIELD-P-HVPS;SCX-5530FN,SECC,0.8,243.1,		SNA

SA : SERVICE AVAILABLE SNA : SERVICE not AVAILABLE DNA : DELIVERY not AVAILABLE

Drawer#	SEC-Code	Description & Specification	Location	Service
7.6-70	JC63-00961A	SHEET-INSULATOR_HVPS;SCX-5530FN,PC V2,0.		SNA
7.6-71	JC44-00107A	HVPS-ELBERT;- ,24V,21.6V~27.6V,- ,MAX 5KV,	D2168	SA
7.6-72	JC39-00526A	CBF HARNESS-DUPLEX;SCX-5530FN,CBF,UL 106	D2165	SA
7.6-73	JC39-00519A	CBF HARNESS-SMPS;SCX-5530FN,CBF,UL 1061,	D2164	SA
7.7-1	JC61-01598A	BRACKET-P-FUSER EXIT;SCX-5530FN,SECC,1.6		SNA
7.7-2	JC31-00037E	MOTOR STEP-MAIN;M55SP-2NK,SCX-5530FN,1.2	D2160	SA
7.7-3	JC66-01158A	GEAR-EXIT RDCN 87/24;SCX-5530FN,POM,0.4/		SNA
7.7-5	JC66-01163A	GEAR-FUSER RDCN IN 95;SCX-5530FN,POM,0.4		SNA
7.7-6	JC66-00340A	GEAR-HUB CLUTCH;SCX-5100,POM,M0.8,Z13,-,	C9033	SA
7.7-7	JC66-00417A	GEAR-RDCN FUSER OUT;ML-2150,RAL4032,1.0,	F4099	SA
7.7-8	JC66-01210A	GEAR-FUSER IDLE FR;SCX-5530FN,NYLON,1.0,	D2173	SA
7.8-0	JC96-03761A	ELA UNIT-MAIN DRIVE;SCX-5530FN,SEC,-,-,-	D2101	SA
7.8-1	JC61-01593A	BRACKET-P-GEAR MAIN;SCX-5530FN,SECC,1.6,		SNA
7.8-2	JC66-01156A	GEAR-OPC RDCN 93/61;SCX-5530FN,POM,0.4/0		SNA
7.8-3	JC61-01597A	BRACKET-P-MOTOR MAIN;SCX-5530FN,SECC,1.2		SNA
7.8-4	JC31-00047A	MOTOR DC-BLDC MAIN;- ,SCX-5530FN,-,-,-,-,	D2108	SA
7.8-5	JC66-01157A	GEAR-OPC DRV 113/33;SCX-5530FN,POM,0.5/0		SNA
7.8-6	JC66-01162A	GEAR-FEED RDCN 55/18;SCX-5530FN,POM,0.5/		SNA
7.8-7	6031-000023	WASHER-PLAIN;- ,ID5.9,OD10.0,TO.5,BLK,POL		SNA
7.8-8	6302-001056	GASKET;KHP-1495,L300,NTR,PE5321		SNA
7.9-1	JC61-01603A	FRAME-M_MP;SCX-5530FN,PC+ABS,NH-1000T,V0		SNA
7.9-2	JC97-02443A	MEA-IDLE FEED;SCX-5530FN,-,-,-,-,-		SNA
7.9-2-1	JC61-01604A	HOLDER-M_IDLE FEED;SCX-5530FN,ABS,- ,85.0		SNA
7.9-2-2	JC61-00484A	SPRING ETC-EXIT LOWER IDLE;SCX-5100,SUS3	Z4180	SA
7.9-2-3	JC61-01605A	HOLDER-M_SHAFT IDLE;SCX-5530FN,POM,5.2,1		SNA
7.9-2-4	JC66-01186A	ROLLER-IDLE FEED;SCX-5530FN,POM,16.0,48.		SNA
7.9-2-5	JC66-01172A	SHAFT-IDLE FEED;SCX-5530FN,SUM22+NI,74.6		SNA
7.9-2-6	JC63-00997A	COVER-M_IDLE FEED;SCX-5530FN,PC,- ,18.5,8		SNA
7.9-3	JC63-01094A	SHEET-GUIDE MP;SCX-5530FN,PET,0.125,25.0	D2169	SA
7.9-4	JC66-00396A	GEAR-IDLE 23;ML-1710,POM(M90-44),0.8,23,	G0256	SA
7.9-5	JC33-00015A	SOLENOID-MP;- ,ML-2250,DC24V,-,-,-,-,300M	S8014	SA
7.9-6	JC61-00924A	HOLDER-M-PAD_MP;ML-2250,PC+ABS,- ,48,24.2	H4029	SA
7.9-7	JC73-00140A	RPR-FRICTION PAD;ML-1510,NBB,1T 8.9*47,5	P0034	SA
7.9-9	JC61-00927A	PLATE-P-KNOCK UP_MP;ML-2250,SECC,1.0,252		SNA
7.9-10	JC72-00761A	PMO-ROLLER CAM.MP;SCX-5100,POM,WHITE,-,-	K4061	SA
7.9-11	JC73-00141A	RPR-PAD CASSETTE;ML-1510,URETHANE SPONGE	R0020	SA
7.9-12	6107-001237	SPRING-ES;SUS304-WPB,- ,P0.5,D4.5,L42,-,-		SNA
7.9-13	JC61-00926A	HOLDER-M-SENSOR_MP;ML-2250,ABS,- ,22.3,36	H4108	SA
7.9-14	0604-001095	PHOTO-INTERRUPTER;TR,90%,150mW,DIP-4,BK	P0013	SA
7.9-15	JC72-01338A	PMO-M-ACT EMPTY MP;ML-2250,PC,BLK,H31.4,	K3119	SA
7.9-16	JC39-00365A	CBF HARNESS-MPF SEN;SCX-4720F,CBF,UL1061	H1168	SA
7.9-17	JC97-02034A	MEA-PICK UP_MP;ML-2250,SEC,- ,PICK UP-MP	D2174	SA
7.9-17-1	JC61-00925A	HOUSING-M_PICK UP_MP;ML-2250,PC+ABS,- ,20	D2177	SA
7.9-17-2	JC73-00194A	RUBBER-PICK UP MP;SCX-4720F,EPDM + IR,-,	P2148	SA
7.9-17-3	JC61-00910A	HOUSING-M-PICK UP2_R2;SCX-4920N,PC+ABS,-	M2078	SA
7.9-18	JC66-00710A	GEAR-M-PICK UP_MP;ML-2250,POM,0.8,33,-,-	P2110	SA
7.9-20	JC66-00709A	GEAR-M-HOLDER_MP;ML-2250,POM,0.8,33,-,-,-	H4073	SA
7.9-21	JC66-01205A	CAM-M_PICK UP MP;ML-3051ND,POM,- ,16.5*23	D2172	SA
7.9-22	JC66-00399A	SHAFT-P-PICK_UP;ML-1710,SECC,-,-,-,-,0.8	P2160	SA
7.9-23	JC61-00915A	STOPPER-M-PICK UP_R2;SCX-4920N,POM(DELIN	K3752	SA
7.9-24	JC72-00982A	PMO-IDLE PICK_UP;ML-1710,POM(M90-44),NTR	P2131	SA
7.9-25	JC66-00720A	SHAFT-P-CORE;ML-1750,SECC 1.2T,203,-,-,-	O1068	SA
7.9-26	JC61-00587A	BUSH-M-PICK_UP R;ML-1710,POM(M90-44),-,-	P2067	SA
7.9-27	JC61-00932A	BRACKET-P-PICKUP_MP;ML-2250,SECC,1.2,57.	P2122	SA
7.10-0	JC96-03777A	ELA HOU-SCAN 4IN1;SCX-5530FN,SEC,- ,4IN1,		SA
7.10-1	JC96-03784A	ELA HOU-ADF LOWER;SCX-5530FN,SEC,-,-,-,-		SA
7.10-3	JC96-03787A	ELA HOU-OPE 4IN1;SCX-5530FN,SEC,-,-,-,-		SA
7.10-4	3301-001635	CORE-FERRITE;- ,24X17X6MM,1500,2800GAUSS		SNA

SA : SERVICE AVAILABLE SNA : SERVICE not AVAILABLE DNA : DELIVERY not AVAILABLE

Drawer#	SEC-Code	Description & Specification	Location	Service
7.11-0	JC96-04067A	ELA HOU-PLATEN;SCX-5530FN,SEC,-,-,-,-,-		SA
7.11-1	JC97-02412A	MEA-SCAN UPPER;SCX-5530FN,SEC,-,-,-,-,-		SA
7.11-1-1	JC97-02429A	MEA UNIT-SCAN DUMMY;SCX-5530FN,SEC,-,-,-,-		SA
7.11-1-1-1	JC63-00152F	COVER-M_SCAN DUMMY;SCX-5530FN,HIPS,-,63.		SA
7.11-1-1-2	JC74-00021A	MCT-GLASS ADF;SCX-4216F,GLASS,238.4*19.1	G1009	SA
7.11-1-1-3	0203-001744	TAPE-DOUBLE FACE;3M9495MP,-,T0.12,W3,L22		SNA
7.11-1-1-6	JC02-00013A	TAPE ETC-DOUBLE TAPE SMALL;9448HK,DOUBLE		SNA
7.11-1-1-7	JB68-00644A	LABEL(P)-SHADING;COMMON,YOOPO PAPER ,T0.	Z4177	SA
7.11-1-1-8	0203-001266	TAPE-DOUBLE FACE;3M9448HK,T0.16,W4,L280,		SNA
7.11-1-2	JC63-00990A	COVER-M_SCAN UPPER;SCX-5530FN,ABS,-,330.		SNA
7.11-1-3	JC01-00001A	GLASS-SCAN;329.9*247.5,2.8,-	G1004	SA
7.11-1-4	0203-001267	TAPE-DOUBLE FACE;3M9448HK,T0.16,W8,L280,		SNA
7.11-1-5	JB70-00148A	IPR-HOLDER GLASS;SCX-1110/XRX,SUS304,-,1		SA
7.11-2	JC96-04068A	ELA HOU-SCAN LOWER;SCX-5330N,SEC,-,-,-,-,-		SNA
7.11-2-1	JC63-00989A	COVER-M_SCAN LOWER;SCX-5530FN,ABS,-,426.		SNA
7.11-2-2	JC96-03069A	ELA HOU-SCAN MOTOR;SCX-4920N,DELL,-,SCAN	M2043	SA
7.11-2-2-1	JC61-00895A	BRACKET-SCAN MOTOR R2;SCX-4920N,PC GF10%		SA
7.11-2-2-2	JC66-00531A	GEAR-TIMING;SCX-6320F,POM(M90-44),M0.5,Z	G0434	SA
7.11-2-2-3	JB72-00764A	PMO-HOLDER BELT;SCX-1110/XRX,-,POM,WHT,-		SA
7.11-2-2-5	JB66-00083A	GEAR-IDLE;SCX-1110/XRX,POM,0.5,31,-,WHT,		SA
7.11-2-2-6	JC66-00530A	GEAR-REDUCTION73/37;SCX-6320F,POM(M90-44)	G0412	SA
7.11-2-2-7	JB31-00011A	MOTOR STEP-SCAN;M42SP-4TKC,SCX-1110/XRX,		SA
7.11-2-3	JC96-03819A	ELA HOU-CCDM_2905;SCX-5525DN,-,-,-,-,-,-		SA
7.11-2-4	JB70-00145A	ICT-SHAFT CCD;SCX-1110/XRX,SUM24L,8,-,-,		SNA
7.11-2-5	JC39-00514A	CBF SIGNAL-CCD FFC;SCX-5530FN,24PIN,FFC,		SA
7.11-2-6	JB72-00763A	PMO-PULLEY;SCX-1110/XRX,-,POM,WHT,-,-,-		SA
7.11-2-7	6602-001067	BELT-TIMING GEAR;HIBER GLASS,T3.2,T80-40		SA
7.11-2-10	JB61-00059A	SPRING ETC-BELT;SCX-1110/XRX,SUS304WP,¥Ö	B2030	SA
7.11-2-11	6107-001135	SPRING-CS;SUS304 WPB,-,PI0.3,-,L14,-,-,I		SA
7.11-2-12	JC72-00755A	PMO-LEVER SENSOR;SCX-5100,POM,BLK,-,-,HB	L4074	SA
7.11-2-14	JC39-00535A	CBF HARNESS-PLA_COVER;SCX-5530FN,CBF,UL1		SA
7.11-2-15	JC39-00537A	CBF HARNESS-ADF LOWER;SCX-5530FN,-,UL 10		SA
7.11-2-16	JB96-01381A	ELA UNIT-CORE;SCX-1100,SAMSUNG,CORE ASS'		SA
7.11-2-16-1	3301-001413	CORE-FERRITE;AD,33x12x7mm,1500,2800Gauss		SA
7.11-2-17	JC39-00513A	CBF HARNESS-OPE;SCX-5530FN,CBF,UL1061,7P		SA
7.11-2-18	JC61-00894B	HOLDER-M_CCD;SCX-4720F/XRX,HIPS,2,43.6,3		SA
7.11-2-19	JC39-00536A	CBF HARNESS-ADF UPPER;SCX-5530FN,-,UL 10		SA
7.12-0	JC97-02416A	MEA-COVER PLATEN;SCX-5530FN,SEC,-,-,-,-,-		SA
7.12-1	JC97-02406A	MEA-TX STACKER;SCX-5530FN,SEC,-,-,-,-,-		SA
7.12-1-1	JC63-00988A	COVER-M_STACKER TX;SCX-5530FN,HIPS,-,266		SNA
7.12-1-2	JC61-01609A	GUIDE-M_DOCU L;SCX-5530FN,HIPS,-,128.5,6		SNA
7.12-1-3	JC61-01610A	GUIDE-M_DOCU R;SCX-5530FN,HIPS,-,128,60,		SNA
7.12-1-4	JF70-10616A	IPR-WASHER SPRING CU;CF3400,SUS301-CSP,-		SA
7.12-2	JC63-00984A	COVER-M_PLATEN;SCX-5530FN,ABS,-,339.03,4		SNA
7.12-3	JC63-00209A	SHEET-WHITE SPONGE;SCX-4216F,PC SHEET+SP	Z4175	SA
7.12-4	JC97-02779A	MEA UNIT-HINGE;SCX-5330N,-,-,ELBERT,-,-,		SA
7.12-5	JC61-00011A	SPRING ETC-FEED;SF-5100,SUS304WPB,0.6,-,		SA
7.12-6	JF70-40521B	ICT-SHAFT PINCH;FX2200,STSC304WPA,-,D2.6		SA
7.12-7	JG72-40663A	PMO-ROLL PINCH;SF5500,POM(DERLIN 500P),B		SA
7.12-8	JC66-00909A	SHAFT-IDLE FEED;SCX-4521F,SUS303F,59.5,2		SA
7.12-9	JC66-00728A	ROLLER-ADF FEED;SCX-4920N,POM + EPDM,-,-		SA
7.13-1-1	JC63-00982A	COVER-M_ADF LOWER;SCX-5530FN,ABS,-,238,1		SNA
7.13-1-2	JC61-00712A	GUIDE-STACKER SUB;SCX-4216F,PC+ABS,2.5T,		SA
7.13-1-3	JC75-00095A	MEC-BRUSH ANTISTATIC;ML-6060A,SEC,NTR	M0022	SA
7.13-1-4	JC61-00548A	SPRING ETC-WHITE BAR;SCX-5312F,SUS304WPB	Z4294	SA
7.13-1-5	JC61-01695A	BRACKET-P_WHITE_BAR;SCX-5530FN,SECC,T1.0		SA
7.13-1-6	JC72-00752A	PPR-WHITE BAR SHEET;SCX-5100,PET,WHT,T0.	S5050	SA
7.13-1-7	JB72-00819A	PMO-BUSH;SCX-1110F,POM,NTR,-,-,-,-,-		SA

SA : SERVICE AVAILABLE SNA : SERVICE not AVAILABLE DNA : DELIVERY not AVAILABLE

Drawer#	SEC-Code	Description & Specification	Location	Service
7.13-1-8	JC66-00559A	ROLLER-EXIT;SCX-4216F,CR+SUM24L,14,-,-,-		SA
7.13-1-9	JC66-00310A	GEAR-AGITATOR-2;SCX-5100,POM(M90-44),0.6		SNA
7.13-1-10	6044-000159	RING-C;ID3,OD7,T0.6,PASS,STSC		SA
7.13-1-11	JC66-00560A	ROLLER-DRIVE;SCX-4216F,CR+SUM24L,14,-,-,-		SA
7.13-1-12	JC66-00460A	SHAFT-M-FEED GEAR 38;SCX-4216F,POM,-,D5.		SA
7.13-1-13	JC92-01755A	PBA SUB-ADF;SCX-5530FN,-,-,-,-,-,53MM		SA
7.13-1-14	JC72-01011A	PMO-ACTUATOR SCAN SENSOR;SCX-4216F,PC,BL		SA
7.13-1-15	JB61-00076A	SPRING ETC-TORSION DOC (CC2-F);SCX-1110F	O1013	SA
7.13-1-16	JC72-01010A	PMO-ACTUATOR REGI SENSOR;SCX-4216F,PC,BL		SA
7.13-1-17	JC72-01320A	PMO-ACT EMPTY ADF;SCX-4920N,ABS,GRAY,-,-	S3071	SA
7.13-1-18	JC70-10467A	IPR-GROUND_ROLLER;SCF-ML,SUS301,-,T0.2,-	S1049	SNA
7.13-1-19	JC63-00372A	GROUND-P-ADF R2;SCX-4920N,C5210P,0.2,8,1	K3231	SA
7.13-1-20	JC39-00534A	CBF HARNESS-ADF R GND;SCX-5530FN,-,UL100		SA
7.13-2-1	JC61-01589A	BRACKET-P-GEAR H;SCX-5530FN,SECC,1.2,65.		SNA
7.13-2-2	JC31-00036A	MOTOR STEP-ADF;M42SP-13NK,SCX-4920N,0.6A		SA
7.13-2-3	JC39-00617A	HARNESS-ADF GND;SCX-5530FN,CBF,UL 1007,1		SA
7.13-2-4	JC66-00458A	GEAR-IDLE 35 ADF;SCX-4216F,POM,M0.6,Z35,		SA
7.13-2-10	JC66-01177A	LINK-M_SWING;SCX-5530FN,POM,16.85,-,-,WH		SNA
7.13-2-11	JC66-00457A	GEAR-SWING 31/20 ADF;SCX-4216F,POM,M0.6,		SA
7.13-2-12	JC66-00455A	GEAR-58/25 ADF;SCX-4216F,POM,M0.6,Z58/25		SA
7.13-2-19	JC66-00556A	IMPELLER-ADF;SCX-4216F,NYLON66,-,-,-,-,V		SA
7.13-3	JC97-02410A	MEA-ADF UPPER;SCX-5530FN,SEC,-,-,-,-,-		SNA
7.13-3-1	JC63-00985A	COVER-M_ADF UPPER;SCX-5530FN,HIPS,-,188.		SA
7.13-3-2	JC97-01940B	MEA UNIT-HOLDER ADF;SCX-5530FN,-,-,-,-,-		SA
7.13-3-2-1	JC61-00893B	HOLDER-M_PAD ADF;SCX-5530FN,POM,1.5,44.9		SA
7.13-3-2-3	JC63-00373A	SHEET-ADF HOLDER;SCX-4920,PC,0.2,18,35.4		SNA
7.13-3-2-4	JB73-00052A	RMO-ADF RUBBER;SCX-1110F,SILICON RUBBER,		SA
7.13-3-2-5	JC66-00738A	DAMPER-PAD ADF_R2;SCX-4720F,POLY URETHAN		SNA
7.13-4	JC97-01962C	MEA UNIT-PICKUP;SCX-5530FN,-,-,-,-,-		SA
7.13-4-1	JC72-00734A	PMO-COVER ADF;SCX-5100,HIPS,WHT,-,-,HB,-		SA
7.13-4-2	JB66-00103A	GEAR-ADF 38;SCX-1110F,POM(DELIN500P),0.6		SA
7.13-4-4	JC66-00561A	SHAFT-ADF PICKUP;SCX-4216F,SUM22L,-,7,NI	P2150	SA
7.13-4-5	JB70-00168A	ICT-PIN ADF;SCX-1110F,STS303,D2.0,-,-,-,	I0001	SA
7.13-4-7	JB66-00102A	GEAR-PICK UP IDEL 38;SCX-1110F,POM(DELIN		SA
7.13-4-8	JB75-00300A	MEC-PICK UP ROLLER ASSY;SCX-1110F/XRX,XE		SA
7.13-4-8A	JB72-00823A	PMO-SLEEVE PICK UP;SCX-1110F,-,POM,BLK,-		SA
7.13-4-8B	JB73-00055A	RMO-PICKUP ROLLER;SCX-1110F/XRX,EPDM RUB		SNA
7.13-4-9	JB72-00821A	PMO-ADF COLAR;SCX-1110F,POM,NTR,-,-,-,-,		SA
7.13-4-10	JB61-70904A	SPRING ETC-CLUTCH;AMUNDSEN,SWRS82A,D11.4		SA
7.13-4-11	JB72-00817A	PMO-ADF CLUTCH;SCX-1110F,POM,WHT,-,-,-,-		SA
7.13-4-12	JB66-00104A	GEAR-ADF IDLE 34;SCX-1110F,POM(DELIN500P		SA
7.13-4-13	JC72-00744A	PMO-SHAFT PICK UP;SCX-5150,-,ABS,BLK,HB,		SA
7.13-4-14	JB66-00105A	GEAR-PICK UP 26;SCX-1110F,POM(DELIN500P)		SA
7.13-4-15	JB72-00845A	PMO-PICK UP CLUTCH SUB;SCX-1110F,POM(F20		SA
7.13-4-16	JB75-00299A	MEC-ADF ROLLER ASSY;SCX-1110F/XRX,XEROX,		SA
7.13-4-16A	JB73-00054A	RMO-ADF ROLLER;SCX-1110F/XRX,EPDM RUBBER		SNA
7.13-4-16B	JB72-00822A	PMO-SLEEVE ADF;SCX-1110F,-,POM,BLK,-,-,-		SA
7.13-5	JC97-02411A	MEA-COVER OPEN;SCX-5530FN,SEC,-,-,-,-,-		SA
7.13-5-1	JC63-00983A	COVER-M_ADF OPEN;SCX-5530FN,HIPS,-,265.2		SNA
7.13-5-2	JB72-00843A	PMO-GUIDE PAPER;SCX-1110F,HIPS,IV21,-,-,-		SA
7.14-1	JC63-00991A	COVER-M_NEVI;SCX-5530FN,HIPS,2,82.6,87.8		SNA
7.14-2	JC63-00986A	COVER-M_OPE 4IN1 MONO;SCX-5530FN,HIPS,2.		SNA
7.14-3	JC63-00999A	SHEET-ONETOUCH;SCX-5530FN,PC ,0.38T,66.5		SNA
7.14-4	JC68-01639A	LABEL-ONETOUCH;SCX-5530FN,SEC,ART PAPER,		SNA
7.14-5	JC64-00242A	KEY-M_STOP CLEAR;SCX-5530FN,HIPS,18.6*8.		SNA
7.14-6	JC64-00243A	KEY-M_START BLACK;SCX-5530FN,HIPS,19.3*8		SNA
7.14-7	JC64-00239A	KEY-M_TEL;SCX-5530FN,ABS,60.2*66.1*14.5,		SNA
7.14-8	JC64-00249A	KEY-M_ON HOOK;SCX-5530FN,ABS,37.8*11.3*7		SNA

SA : SERVICE AVAILABLE SNA : SERVICE not AVAILABLE DNA : DELIVERY not AVAILABLE

Drawer#	SEC-Code	Description & Specification	Location	Service
7.14-9	JC64-00244A	KEY-M_BLACK;SCX-5530FN,PMMA,16.2*21*7.1,		SNA
7.14-10	JC64-00240A	KEY-M_COPY;SCX-5530FN,ABS,55*46.6*14,HB,		SNA
7.14-11	JC64-00241A	KEY-M_FAX;SCX-5530FN,ABS,22.8*55*14,HB,D		SNA
7.14-12	JC64-00247A	KEY-M_MODE SCAN;SCX-5530FN,PMMA,16.4*20.		SNA
7.14-13	JC64-00245A	KEY-M_MODE COPY;SCX-5530FN,PMMA,16.4*20.		SNA
7.14-14	JC64-00246A	KEY-M_MODE FAX;SCX-5530FN,PMMA,16.4*20.4		SNA
7.14-15	JC64-00248A	KEY-M_MENU;SCX-5530FN,ABS,84.2*16.5*15.5		SNA
7.14-18	JC64-00250A	KEY-M_ONETOUCH;SCX-5530FN,ABS,72.55*62*1		SNA
7.14-19	JC73-00231A	RUBBER-ONETOUCH;SCX-5530FN,SILICON,100.3		SNA
7.14-20	JC73-00230A	RUBBER-MENU;SCX-5530FN,SILICON,85.6*16.6		SNA
7.14-21	JC73-00233A	RUBBER-MODE;SCX-5530FN,SILICON,71.2*20.2		SNA
7.14-22	JC73-00232A	RUBBER-TEL_COPY;SCX-5530FN,SILICON,82.2*		SNA
7.14-23	JC63-00993A	COVER-M_LCD;SCX-5530FN,PC,1,86.6,39,-,-,		SA
7.14-24	JC92-01747A	PBA SUB-OPE;SCX-5530FN,SEC,-,OPE,-,-,-,3		SA
7.14-25	JC67-00148A	LENS LED-M_STATUS;SCX-5530FN,PMMA,MILKY		SNA
7.15-1	JC70-00300A	ADJUST-M-CASSETTE_L;ML-1400,ABS,-,-,-,VI	K2014	SA
7.15-2	JC70-00301A	ADJUST-M-CASSETTE_R;ML-1400,ABS,-,-,-,VI	K2015	SA
7.15-4	JC97-01931A	MEA UNIT-HOLDER PAD;SCX-4920N,DELL,-,HOL	P0014	SA
7.15-4-1	JC61-00580A	HOLDER-M-PAD;ML-1710,PC+ABS(NH-1023P),-	P0034	SA
7.15-4-2	JC63-00407A	SHEET-HOLDER PAD R2;SCX-4920N,PC,0.125T,		SNA
7.15-4-3	JC70-00314A	IPR-PLATE PAD;ML-1710,SUS304-CSP,-,0.1,-	P0009	SA
7.15-6	JC61-00603A	PLATE-P-KNOCK_UP;ML-1710,SECC,1,250.7,16		SNA
7.15-7	6107-001166	SPRING-CS;SUS304-WPB,-,PI0.65,D12.65,L59	Z4199	SA
7.15-9	JC66-00719A	CAM-M-KNOCK UP;ML-1750,POM(KOLON K700),-		SNA
7.15-10	JC61-00876A	FRAME-M_CASSETTE;SF-755P,HIPS,HR-1360,HB		SNA
7.15-11	JC61-00918B	GUIDE-M-EXTENSION L2;ML-2250,HIPS,-,184.	E5013	SA
7.15-12	JC72-00971A	PMO-EXTENSION SMALL;ML-1710,ABS(HF-0660I	E5014	SA
7.15-13	JC72-00972A	PMO-PLATE_LOCKER;ML-1710,POM(M90-44),WHT	L6051	SA
7.15-14	JG61-70531A	SPRING ETC-LOCKER,PLATE;SF6000,STS304WPB	S0025	SA
7.15-15	JC63-00939A	COVER-M_SUB CST;SCX-5530FN,HIPS,2.5,461.		SNA
7.15-16	JC64-00253A	INDICATOR-M_CASSETTE;SCX-5530FN,HIPS,-,B		SNA
7.16-0	JC96-03800A	ELA UNIT-FUSER_220V;SCX-5530FN,-,-,-,-		SA
7.16-1	JC61-01632A	FRAME-P-FUSER;SCX-5530FN,SECC,-,-,-,1.2,		SNA
7.16-2	JC66-00425A	GEAR-IDLE 33;ML-2150,RAL4032,1.0,33,8,YE	G0268	SA
7.16-3	JC39-00520A	CBF HARNESS-FUSER CON;SCX-5530FN,CBF,UL3	D2131	SA
7.16-4	4712-001031	THERMOSTAT;125/250VAC,15/7.5A,170+-5C,0C	D2129	SA
7.16-5	1404-001364	THERMISTOR-NTC ASSY;7KOHM,-,3370K,0.3MW/		SNA
7.16-6	JC61-00785A	HOLDER-M-IDLE ROLLER;ML-2150,PC,-,-,-,BL	H4027	SA
7.16-7	JC72-40981A	PMO-ROLLER UPPER DP;ML-165,POM,WHT,HB,-	K4068	SA
7.16-9	JC72-41128B	PMO-GUIDE CLAW GREEN;SCX-5530FN,PEEK,BLK	D2152	SA
7.16-10	6107-001291	SPRING-ES;SUS304-WPB,NTR,PI0.12,D2.48,L8		SNA
7.16-11	JC72-20902A	PEX-ROLLER F/UP(2);ML-5000A,TEFLON,WHT,-	O1106	SA
7.16-12	JC70-20901A	IEX-SHAFT IDLE,F/UP;ML-5000A,SUS304,-,PI	D2149	SA
7.16-13	6107-001159	SPRING-TS;SUS304,-,PI0.45,D3.85,L20,-,W1		SA
7.16-15	JC61-01627A	BRACKET-P-FUSER;SCX-5530FN,SECC,T1.2,-,-		SNA
7.16-16	JC61-01306A	HOLDER-M_JAM R;ML-2550,PC+GF20%,T1.5,13.		SNA
7.16-17	JC61-01305A	HOLDER-M_JAM L;ML-2550,PC+GF20%,T1.5,12.		SNA
7.16-19	JC66-00957A	LEVER-M_LINK JAM;ML-2550,PET+GF30%,T1.5M		SNA
7.16-20	JC96-03804A	ELA UNIT-HEAT 220V;SCX-5530FN,SEC,-,-,-,		SA
7.16-20-1	JC66-01211A	ROLLER-HEAT;SCX-5530FN,AL5052 PIPE T0.9M		SNA
7.16-20-2	JC66-10901A	BEARING-PRESSURE/R;ML-165,PPS(RBA313N),-	O1091	SA
7.16-20-3	JC61-01629A	BUSH-M_HR R;SCX-5530FN,PPS(RFKB-9),28.9,		SNA
7.16-20-4	JC66-01193A	GEAR-M_FUSER_ECOIL;SCX-5530FN,PPS,M1,Z37		SNA
7.16-21	JC63-01004A	COVER-M_FUSER_ECOIL;SCX-5530FN,PET+GF30%		SNA
7.16-22	JC61-01633A	GUIDE-M_REAR;SCX-5530FN,PET+GF30%,-,-,24		SNA
7.16-24	JC61-70903A	SPRING ETC-ACTUATOR;ML-165,SUS304,PI0.2,	Z4132	SA
7.16-25	JC72-00382A	PMO-BUSHING TX;ML-6060A,POM M9044,BLK,-,		SNA
7.16-26	JC66-00402A	SHAFT-M-EXIT_F/UP;ML-2150,PBT+GF30%,-,-,	S4119	SA

SA : SERVICE AVAILABLE SNA : SERVICE not AVAILABLE DNA : DELIVERY not AVAILABLE

Drawer#	SEC-Code	Description & Specification	Location	Service
7.16-27	JC73-40909B	RMO-RUBBER EXIT_F/UP;ML-2150,EPDM,jE12 XS		SNA
7.16-28	JC61-01625A	HOLDER-M_REAR_LEVER;SCX-5530FN,PC,NH-102		SNA
7.16-30	JC66-40209A	GEAR-EXIT;ML-80,POM,-,-,WHT,-,-	D2148	SA
7.16-32	JC66-01195A	ROLLER-PRESSURE;SCX-5530FN,LSR+PFA,32,25		SNA
7.16-34	JC67-00154A	CAP-M_END_ECOIL;SCX-5530FN,PPS,T2,D28.3,		SNA
7.17-1	JC61-01594A	FRAME-M_DUP;SCX-5530FN,PC+ABS,-,-,DARKMA		SNA
7.17-2	JC61-01596A	BRACKET-P-ALIGN DUP;SCX-5530FN,SECC,0.8,		SNA
7.17-3	JC61-00665A	BUSH-M-FEED, DUP;ML-2150,POM, SW01,4.0,7	F6042	SA
7.17-4	JC96-03662B	ELA UNIT-ROLLER_DUP2;SCX-5530FN,-,-,DUPL		SNA
7.17-5	6044-000107	RING-C;ID2.5,OD6,T0.4,PASS,STS304		SA
7.17-6	JC66-00038A	GEAR-EXIT F/DOWN;ML-4500,POM,WHT,-,-	E4039	SA
7.17-7	JC96-03662A	ELA UNIT-ROLLER_DUP;ML-3560,-,-,DUPLEX,-		SNA
7.17-8	JC66-00900A	PULLEY-M-18-DUMMY_DUP;ML-3560,POM,HB,WHI	D2119	SA
7.17-9	6003-000196	SCREW-TAPTITE;PWH,+ ,B,M3,L10,NI PLT,SWRC		SA
7.17-10	JC65-00017A	TERMINAL-P-GND DUP;SCX-5530FN,C5210W,-,-		SNA
7.17-11	JC61-01595A	GUIDE-M_UPPER DUP;SCX-5530FN,ABS+GF20%,2		SNA
7.17-13	JK72-00058A	PCT-SILP WASHER;SRP-350,P.A+GRAPHITE,T0.		SNA
7.17-14	JC66-00896A	ROLLER-M-IDLE_DUP;ML-3560,POM,OD9.6,14.	D2117	SA
7.17-15	JC66-00444A	SHAFT-IDLE ROLL, DUP;ML-2150,SUM24L,25,2	S4108	SA
7.17-16	JC66-20901A	BELT-TIMMING;B32S2M280,CR+FG+NYLON,-,W3.	B2018	SA
Replacement	JC69-00915B	BOX(P)-MAIN;SCX-5530FN,DC3,A-1,574,543,6		SA
#N/A	6801-001019	CARD-REGISTRATION;XEN,SEBN,DUTCH,MOJO100		SNA
#N/A	JC68-01643A	MANUAL INSTALL-QIG;COMMON,SEC,WORLD_WIDE		SNA
#N/A	JC96-03759A	ELA HOU-ENGINE;SCX-5530FN,-,-,ELBERT,-,-		SNA
#N/A	JC96-03970A	ELA HOU-MAIN RAM DIMM;SCX-5530FN,SAMSUNG		SNA
#N/A	JC96-04051A	ELA HOU-SMPS;SCX-5530FN,-,-,ELBERT,220V,	D2104	SA
#N/A	JC99-01929A	PAA-LABEL;SCX-5530FN,XAA,-,-,-		SNA
#N/A	JC99-01931A	PAA-PACKING;SCX-5530FN,XAA,-,PACKING,-,-		SNA
#N/A	JC99-01934F	INA-ACESSORY;SCX-5530FN,XEN,NETHERLAND,E		SNA
#N/A	0203-001100	TAPE-OPP MASKING;OPP/W75/CLR,T0.05,W75,L		SNA
#N/A	2201-002127	C-CERAMIC,DISC;0.47NF,10%,250V,Y5P,TP,8.		SNA
#N/A	2305-000385	C-FILM,LEAD-PEF;470nF,10%,250V,BK,18x6x1		SA
#N/A	2801-003960	CRYSTAL-UNIT;28.224MHz,50ppm,28-AAA,18pF		SA
#N/A	3501-000203	RELAY-MINIATURE;5V,200MW,1000MA,1FORMC,6		SA
#N/A	3722-002345	JACK-MODULAR;6P/4C,INVERTED,N,ANGLE,N,GR		SA
#N/A	4302-001183	BATTERY-NIH(2ND);3.6V,280MAH,LAY_PLAT.PL		SA
#N/A	6001-000130	SCREW-MACHINE;BH,+ ,M3,L6,ZPC(WHT),SWRCH1	-	SA
#N/A	6001-000568	SCREW-MACHINE;PH,+ ,M3,L8,NI PLT,SWRCH18A		SA
#N/A	6003-000221	SCREW-TAPTITE;PWH,+ ,S,M4,L8,ZPC(YEL),SWR		SNA
#N/A	6003-000261	SCREW-TAPTITE;BH,+ ,B,M3,L6,ZPC(YEL),SWRC		SNA
#N/A	6003-000264	SCREW-TAPTITE;PWH,+ ,-,B,M3,L6,ZPC(YEL),S		SNA
#N/A	6003-000269	SCREW-TAPTITE;BH,+ ,-,S,M3,L6,ZPC(YEL),SW		SA
#N/A	6003-000301	SCREW-TAPTITE;BH,+ ,S,M4,L6,ZPC(YEL),SWRC		SNA
#N/A	6003-001256	SCREW-TAPTITE;BH,+ ,B,M4,L10,NI PLT,SWRCH		SNA
#N/A	6902-000288	BAG PE;LDPE,T0.05,W250,L450,TRP,8,2-		SNA
#N/A	6902-000321	BAG PE;HDPE,T0.015,W800,L1300,TRP,28,6M-		SNA
#N/A	JB68-00916A	LABEL RATING-BLANK;SF-340,SEC,TETRON,0.0		SNA
#N/A	JC02-00047A	TONER-ELDO;SCX-5530FN,-,-,8.5UM,-,-		SNA
#N/A	JC39-00001A	CBF INTERFACE-USB;ML-6100,4,UL2725,1800	K2897	SA
#N/A	JC39-00515A	CBF SIGNAL-LIU FFC;SCX-5530FN,30PIN,FFC,		SNA
#N/A	JC39-00527A	CBF HARNESS-MAIN MTR;SCX-5530FN,CBF,UL 1	D2111	SA
#N/A	JC46-00255A	S/W APPLICATION-CD;- ,ML-3560,-,PRT DRV,1		SNA
#N/A	JC46-00271A	S/W APPLICATION-CD;- ,SCX-5530FN,DRV,1.00		SNA
#N/A	JC46-00272A	S/W APPLICATION-CD;- ,SCX-5530FN,DRV,1.00		DNA
#N/A	JC61-01615A	FRAME-M_DEV UPPER;SCX-5530FN,ABS,-,HB,BL		SNA
#N/A	JC61-01692A	SUPPORT-HOLDER PAD;SCX-5530FN,POLYAMIDE		SNA
#N/A	JC66-00899A	PULLEY-18_DUP;ML-3560,POM,HB,WHITE,ID4.1	D2118	SA
#N/A	JC68-00690A	MANUAL-(CARD)WARRANTY CARD;ML-1210,XEU,E		SNA

SA : SERVICE AVAILABLE SNA : SERVICE not AVAILABLE DNA : DELIVERY not AVAILABLE

Drawer#	SEC-Code	Description & Specification	Location	Service
#N/A	JC68-01381B	LABEL(R)-PPID(DEVE);COMMON,DELL,ART,0.05		SNA
#N/A	JC68-01579A	MANUAL-NETWORK GUIDE;CLP-600N,SEC,-,COMM		SNA
#N/A	JC68-01584A	LABEL(P)-BLANK 90*25;CLP-510,SEE,ART 100	D2120	SA
#N/A	JC68-01684A	LABEL-INSTRUCTION;SCX-5530FN,SEC,YUPO PA		SNA
#N/A	JC68-01698A	LABEL-POP;SCX-5530FN,SEE,HOLLOGRAM,-,55.		SNA
#N/A	JC68-10914D	LABEL(P)-SERIAL NO;ML-85,ART,70X15,G100,		SNA
#N/A	JC68-10932A	LABEL(P)-BLANK(ML);ML-85,ART,70X60,G100,		SNA
#N/A	JC69-00453A	BOX(P)-SAFETY PAD;COMMON,LDPE,A,3,45,300		SNA
#N/A	JC69-00917A	CUSHION-MAIN B;SCX-5530FN,EPS,-,571,540,		SNA
#N/A	JC69-00917B	CUSHION-MAIN T;SCX-5530FN,EPS,-,571,540,		SNA
#N/A	JC69-00917C	CUSHION-MAIN D;SCX-5530FN,EPS,-,285,135,		SNA
#N/A	JC92-01836A	PBA SUB-SDRAM;SCX-5530FN,KOREA/EXPORT,-,		SA
#N/A	JC94-01091A	PHANTOM AU JC92-01746A		SNA
#N/A	JC96-03760A	ELA HOU-FRAME ETC;SCX-5530FN,-,-,ELBERT,		SNA
#N/A	JC97-01692A	MEA UNIT- ROLLER CLEAN;ML-2150,SAMSUNG,-	K3609	SA
#N/A	JC97-02001B	MEA-PROTECTION CARD;ML-2250,SEC,-,PROTEC		SNA
#N/A	JC97-02390A	MEA ETC-DEVE;SCX-5530FN,SEC,DOMESTIC,-,-		SNA
#N/A	JC97-02425A	MEA-CHARGE ROLLER;SCX-5530FN,SEC,DOMESTI		SNA
#N/A	JC97-02696A	MEA-SHIELD CONTROLLER;SCX-5530FN,-,-,-,-		SNA
#N/A	JF39-50072A	CBF LINE CORD;SF1050,-,-,WHT,-	H1281	SA
#N/A	JF68-10532B	LABEL(P)-BAR CODE;CLP-500,-,YUPO PAPER,1		SNA
#N/A	0201-001162	ADHESIVE-CYA;LOCTITE403,NTR,1250,20G		SNA
#N/A	0201-001183	ADHESIVE-AA;ARON ALPHA #202F,NTR,100,20G		SNA
#N/A	0202-001240	SOLDER-WIRE;HSE-01,-,D3,SN/0.5CU/0.03NI/		SNA
#N/A	0202-001492	SOLDER-WIRE FLUX;HSE-02 LFM48 SR-34 S,-,		SNA
#N/A	0203-001159	TAPE-FILAMENT;#8915,T0.15,W12,L55000,CLR		SNA
#N/A	0203-001846	TAPE-CONDUCTIVE;DK-K102MM-5-7,CONDUCTIVE		SNA
#N/A	0204-000469	THINNER;#4662,-,0.795,-		SNA
#N/A	0204-002978	FLUX;KSP-70L,-,84%,FLUX,SPRAY		SNA
#N/A	0205-000005	GREASE-BEARING;EP56,DIAMOND HYDRO FLUID,		SNA
#N/A	0205-001003	GREASE-BEARING;NYOGEL788,DAMPING GREASE,		SNA
#N/A	0205-001059	GREASE-BEARING;PETAMO GHV 133,BEIGE,15KG		SNA
#N/A	0205-001067	GREASE-GRAPHITE;NYOGEL 756G,HYDRO CARBON		SNA
#N/A	0205-001080	GREASE-BEARING;NYOGEL 774H,NOISE DAMPING		SNA
#N/A	0205-001144	GREASE-BEARING;SF-112,HANARL,NOISE TAMPI		SNA
#N/A	0402-000132	DIODE-RECTIFIER;1N4004,400V,1A,DO-41,TP		SA
#N/A	0403-000287	DIODE-ZENER;MMBZ5251B,20.9-23.1V,225MW,S		DNA
#N/A	0501-000479	TR-SMALL SIGNAL;KST42,NPN,350mW,SOT-23,T		SA
#N/A	0502-001258	TR-POWER;FJT44,NPN,-,SOT-223,TP,40-200		SA
#N/A	1001-000170	IC-ANALOG SWITCH;MC14051BD,SPDT CMOS,SOP		SA
#N/A	1201-000105	IC-AUDIO AMP;34119,SOP,8P,150MIL,SINGLE,		SA
#N/A	1205-002478	IC-DAA;CX20493-21/FAX,QFN,28P,5X5MM,PLAS		SA
#N/A	1205-002654	IC-MODEM;CX86710-12,TQFP,64P,7X7MM,PLAST		SA
#N/A	1401-001069	THYRISTOR-SIDAC;P3100EB,275V,0.15A,250A,		SA
#N/A	2007-000092	R-CHIP;15Kohm,5%,1/10W,TP,1608		SA
#N/A	2007-000093	R-CHIP;20Kohm,5%,1/10W,TP,1608		SA
#N/A	2007-000106	R-CHIP;220Kohm,5%,1/10W,TP,1608		SA
#N/A	2007-000132	R-CHIP;180Kohm,5%,1/10W,TP,1608		SNA
#N/A	2007-000133	R-CHIP;330Kohm,5%,1/10W,TP,1608		SA
#N/A	2007-000136	R-CHIP;300Kohm,5%,1/10W,TP,1608		SA
#N/A	2007-000481	R-CHIP;1Mohm,5%,1/4W,TP,3216		SA
#N/A	2007-000660	R-CHIP;27ohm,5%,1/4W,TP,3216		SA
#N/A	2007-000740	R-CHIP;30Kohm,5%,1/4W,TP,3216		SA
#N/A	2007-001161	R-CHIP;75Kohm,5%,1/10W,TP,1608		SNA
#N/A	2007-002760	R-CHIP;6.8Mohm,5%,1/4W,TP,3216		SA
#N/A	2007-007297	R-CHIP;110ohm,1%,1/10W,TP,1608		SNA
#N/A	2007-007998	R-CHIP;348KOHM,1%,1/4W,TP,3216		SNA
#N/A	2007-008473	R-CHIP;59Kohm,1%,1/10W,TP,1608		SA

SA : SERVICE AVAILABLE SNA : SERVICE not AVAILABLE DNA : DELIVERY not AVAILABLE

Drawer#	SEC-Code	Description & Specification	Location	Service
#N/A	2007-008510	R-CHIP;237KOHM,1%,1/4W,DA,TP,3216		SA
#N/A	2203-000681	C-CER,CHIP;0.027nF,5%,50V,C0G,1608		SA
#N/A	2203-000975	C-CER,CHIP;47nF,10%,25V,X7R,TP,1608,-		SA
#N/A	2203-001598	C-CER,CHIP;2200nF,+80-20%,16V,Y5V,2012		SA
#N/A	2203-005221	C-CER,CHIP;15nF,10%,50V,X7R,1608		SA
#N/A	2203-005757	C-CER,CHIP;33nF,10%,200V,X7R,TP,3216		SA
#N/A	2203-005758	C-CER,CHIP;47nF,10%,200V,X7R,TP,3216		SNA
#N/A	2203-006468	C-CER,CHIP;10nF,+,-10%,250V,X7R,-,2012		SA
#N/A	2402-001049	C-AL,SMD;10uF,20%,16V,GP,TP,3.3x3.3x5.4		SA
#N/A	2602-000061	TRANS-PULSE;30UH,0.225/0.325OHM,1:1.5,9.		SA
#N/A	2602-000062	TRANS-PULSE;450UH,0.25/0.25OHM,1:1,12.8X		SA
#N/A	2801-003886	CRYSTAL-UNIT;12MHz,50ppm,28-AAA,16pF,50o		SNA
#N/A	2801-004414	CRYSTAL-UNIT;25MHZ,50PPM,HC-49/S,12PF,50		SNA
#N/A	3301-001084	BEAD-SMD;600ohm,2012,300mA,TP,522ohm/70M		SNA
#N/A	3702-000118	CONNECTOR-RIBBON;36P,FEMALE,ANGLE,AU		SNA
#N/A	3708-001058	CONNECTOR-FPC/FFC/PIC;30P,1MM,STRAIGHT,S		SA
#N/A	3708-001637	CONNECTOR-FPC/FFC/PIC;24P,1MM,STRAIGHT,S		SA
#N/A	3709-001131	CONNECTOR-CARD EDGE;100P,1.27MM,STRAIGHT		SNA
#N/A	3711-000225	HEADER-BOARD TO CABLE;1WALL,4P,1R,2.5MM,		SNA
#N/A	3711-002000	HEADER-BOARD TO CABLE;BOX,18P,2R,2mm,STR		SNA
#N/A	3711-002808	HEADER-BOARD TO CABLE;BOX,7P,1R,2mm,STRA		SNA
#N/A	3711-002811	HEADER-BOARD TO CABLE;BOX,10P,1R,2mm,STR		SNA
#N/A	3711-003408	HEADER-BOARD TO CABLE;BOX,2P,1R,2mm,STRA		SNA
#N/A	3711-003409	HEADER-BOARD TO CABLE;BOX,3P,1R,2mm,STRA		SNA
#N/A	3711-003410	HEADER-BOARD TO CABLE;BOX,4P,1R,2mm,STRA		SNA
#N/A	3711-003942	HEADER-BOARD TO CABLE;BOX,2P,1R,2MM,STRA		SA
#N/A	3711-003968	HEADER-BOARD TO CABLE;BOX,3P,1R,2.5mm,ST		SA
#N/A	3711-003969	HEADER-BOARD TO CABLE;BOX,2P,1R,2.5mm,ST		SNA
#N/A	3711-003981	HEADER-BOARD TO CABLE;BOX,28P,2R,2mm,STR		SA
#N/A	3711-004349	HEADER-BOARD TO CABLE;BOX,3P,1R,2MM,STRA		SA
#N/A	3722-000124	JACK-DIN;8P,-,AU,BLK,-		SNA
#N/A	3722-002303	JACK-USB;4P/1C,AU30U,BLK,ANGLE,B TYPE		SA
#N/A	3722-002381	JACK-MODULAR;8P/8C,INVERTED,Y,ANGLE,GRN/		SNA
#N/A	4715-001084	SURGE ABSORBER;600V,20%,500A,-,RADIAL(TP		SNA
#N/A	6002-000440	SCREW-TAPPING;PWH,+,-,2,M3,L8,ZPC(BLK),S		SA
#N/A	6003-000282	SCREW-TAPTITE;BH,+,-,B,M3,L8,ZPC(BLK),SW		SA
#N/A	6003-001001	SCREW-TAPTITE;FH,+,-,B,M3,L8,ZPC(BLK),SWRC		SNA
#N/A	6006-001078	SCREW-TAPTITE;WSP,PH,+,-,M3,L10,ZPC(YEL),S		SNA
#N/A	6501-000004	CABLE TIE;DA-80,T1,W2.5,L80,NTR,NYLON66	K2756	SA
#N/A	6902-000332	BAG CONDUCTIVE;PE+CARBON,T0.1,W250,L500,		SNA
#N/A	JB27-00004A	COIL CHOKE-DIP;DR 8X11(470UH),MJC-1450,4		SA
#N/A	JB68-00073A	LABEL(R)-BAR CODE;SF-3000,PY,38X6.5,T0.1		SNA
#N/A	JC39-00522A	CBF HARNESS-FUSER AC;SCX-5530FN,CBF,UL31	D2132	SA
#N/A	JC39-00529A	CBF HARNESS-EXIT MTR;SCX-5530FN,CBF,UL 1	D2134	SA
#N/A	JC39-00609A	CBF HARNESS-FUSER R 2;SCX-5530FN,CBF,UL3	D2135	SA
#N/A	JC41-00318A	PCB-MODEM;SCX-5530FN,FR4,2,-,1.6T,114*5		SNA
#N/A	JC61-01590A	HOLDER-M_DR L;SCX-5530FN,PC,-,10.2,18.5,		SNA
#N/A	JC61-01591A	HOLDER-M_DR R;SCX-5530FN,PC,-,8.2,18.5,B		SNA
#N/A	JC61-01602A	HOLDER-M_PICK UP;SCX-5530FN,POM,-,41.8		SNA
#N/A	JC61-01612A	FRAME-M_DEV LOWER;SCX-5530FN,ABS,-,HB,BL		SNA
#N/A	JC61-01614A	FRAME-M_CAP CR;SCX-5530FN,ABS,-,HB,BLK,-		SNA
#N/A	JC61-01622A	HOLDER-M_TR;SCX-5530FN,ABS,2.0,51.5,19.0		SNA
#N/A	JC61-01623A	GUIDE-M HOLDER TR;SCX-5530FN,ABS,2.5,31.		SNA
#N/A	JC61-01628A	GUIDE-M_INPUT;SCX-5530FN,PET+GF30%,2,29.		SNA
#N/A	JC62-00140A	SEAL-BLADE SIDE_BK;CLP-500,PE FORM,GRAY,		SNA
#N/A	JC62-00143A	SEAL-PROTECTION CARD;SCX-4920,POLYURETHA		SNA
#N/A	JC62-00149A	SEAL-CAP DEVE;ML-1610,POLYURETHANE FOAM,		SNA
#N/A	JC62-00150A	SEAL-SUS BLADE;ML-1610,POLYURETHANE FOAM		SNA

SA : SERVICE AVAILABLE SNA : SERVICE not AVAILABLE DNA : DELIVERY not AVAILABLE

Drawer#	SEC-Code	Description & Specification	Location	Service
#N/A	JC62-00156A	SEAL-BOSS_R;ML-1610,CR,BLACK,T5,-,D7.5,-		SNA
#N/A	JC62-00252A	SEAL-DEVE;SCX-5530FN,PTFE FELT+PORON,-,3		SNA
#N/A	JC62-00253A	SEAL-SUPPORT L;SCX-5530FN,PORON,-,6,7.84		SNA
#N/A	JC62-00254A	SEAL-SUPPORT R;SCX-5530FN,PORON,-,6,7.84		SNA
#N/A	JC62-00255A	SEAL-SUPPLY;SCX-5530FN,CR ,NTR,5,5.57,7.		SNA
#N/A	JC62-00344A	SEAL-FILM REAR;SCX-5530FN,PET FILM,-,0.0		SNA
#N/A	JC63-00998A	COVER-M_ADF CONNECTOR;SCX-5530FN,ABS,-,7		SNA
#N/A	JC63-01098A	SHEET-WNPC;SCX-5530FN,PC,0.254T,13.5,20.		SNA
#N/A	JC65-00018A	TERMINAL-TR;SCX-5530FN,STS304WPB,-,-,PI		SNA
#N/A	JC66-00381A	GEAR-AGITATOR;ML-1710,POM,0.6,22,-,-,-,-	G0164	SA
#N/A	JC66-00435A	GEAR-IDLE CR 17;ML-2150,POM, F20-03,0.6,		SNA
#N/A	JC66-00436A	GEAR-CLEAN 23;ML-2150,HTREL5526 ,0.6,23		SNA
#N/A	JC66-00538A	ROLLER-CLEANING;ML-2150,URETHANE FOAM+SU		SNA
#N/A	JC66-00696A	GEAR-IDLE 28/17;SCX-4920N,POM,0.6,28/17,		SNA
#N/A	JC66-00699A	GEAR-IDLE 37/19;SCX-4920N,POM,0.6/0.5,37		SNA
#N/A	JC66-00828A	ROLLER-CHARGE;ML-1610,NBR+ECO,D12,L230,N		SNA
#N/A	JC66-00901A	ROLLER-FEED_DUP;ML-3560,SUM24L+NBR,OD11.	D2145	SA
#N/A	JC66-01153A	GEAR-IDLE 23 FUSER;ML-3560,HTNFR52G30L,M		SNA
#N/A	JC66-01167A	ROLLER-FEED_DUP2;SCX-5530FN,SUM22L+NBR,O		SNA
#N/A	JC66-01178A	GEAR-DEVE;SCX-5530FN,POLYKETONE,0.8,15,-		SNA
#N/A	JC66-01180A	GEAR-SUPPLY;SCX-5530FN,POM(DE8903),0.6,2		SNA
#N/A	JC66-01182A	GEAR-RDCN 16/18;SCX-5530FN,POM,0.8/0.6,1		SNA
#N/A	JC66-01189A	LEVER-M_ACTUATOR FEED;SCX-5530FN,PBT+GF3		SNA
#N/A	JC66-01243A	ROLLER-DEVE;SCX-5530FN,NBR+ECO,?14.07,L:		SNA
#N/A	JC66-01283A	DAMPER-FRAME EXIT;SCX-5530FN,NBB,-,1,8,8		SNA
#N/A	JC66-01284A	ACTUATOR-EXIT;SCX-5530FN,PBT+GF30,2,3,57	D2147	SA
#N/A	JC66-01285A	ROLLER-SUPPLY;SCX-5530FN,Silicon Foam,iES		SNA
#N/A	JC66-40930A	GEAR-AGITATOR;ML-1650,POM,-,AW-01,-,NTR,		SNA
#N/A	JC67-00100A	CAP-M-CARBON BRUSH;ML-3560,PET+GF30%,FR5		SNA
#N/A	JC67-00152A	CAP-M_DEVE R;SCX-5530FN,ABS,2.8.5,36.5,B		SNA
#N/A	JC68-00317A	LABEL(R)-HOT CAUTION,KME;ML-7050,TETRON,		SNA
#N/A	JC68-00407A	LABEL(R)-HV FUSER;ML-6060,PVC,-,220V,-,,	L0006	SNA
#N/A	JC68-01134A	LABEL(P)-BLANK(FUSER);ML-1710D3,-,WHITE		SNA
#N/A	JC68-01296B	MANUAL-DEVE_SHEET;COMMON,SEC,-,-,ART,280		SNA
#N/A	JC68-01581A	LABEL(P)-CAUTION HOT;COMMON,SAMSUNG,PET,		SNA
#N/A	JC68-01668A	LABEL(P)-JAM REMOVAL;SCX-5530FN,-,WHITE		SNA
#N/A	JC68-01669A	LABEL(R)-FUSER;SCX-5530FN,-,WHITE PET,T0		SNA
#N/A	JC68-01790A	LABEL-BLANK;SCX-5530FN,SEC,ART,0.05,50,1		SNA
#N/A	JC68-30928E	LABEL(P)-CAUTION, HOT_FU;COMMON,-,PET,T0	L0020	SNA
#N/A	JC70-40910A	ICT-SHAFT GEAR;ML-5000,SUM24L,iE4,-,-,-,S		SNA
#N/A	JC72-01349A	PPR-SPACER SR_L;ML-1610,PET OR PC,NTR,T0		SNA
#N/A	JC72-41051A	PMO-BUSHING RIGHT;ML-6000,POM(M90-44),BL	D2151	SA
#N/A	JC75-00044A	MEC-BUSHING AGI L;SF-5100,SEC,POM+SANTOP		SNA
#N/A	JC94-01140A	PHANTOM AU JC92-01743A		SNA
#N/A	JC94-01196A	PHANTOM AU JC92-01836A		SNA
#N/A	JC96-03655A	ELA UNIT-CARBON&SP;ML-3560,SEC,USA,BRUSH	K3054	SA
#N/A	JC96-03828A	ELA HOU-HVPS;SCX-5530FN,-,-,ELBERT,-,-,-		SNA
#N/A	JC97-01946A	MEA-AGITATOR 2;SCX-4920N,DELL,-,AGITATOR		SNA
#N/A	JC97-02407A	MEA-PLATE DEV L;SCX-5530FN,SEC,DOMESTIC,		SNA
#N/A	JC97-02408A	MEA-PLATE DEV R;SCX-5530FN,SEC,DOMESTIC,		SNA
#N/A	JC97-02409A	MEA ETC-OPC;SCX-5530FN,SEC,DOMESTIC,-,-,		SNA
#N/A	JC97-02427A	MEA-SUS BLADE;SCX-5530FN,SEC,DOMESTIC,-,		SNA
#N/A	JC97-02692A	MEA-AGITATOR;SCX-5530FN,SEC,-,-,-,-,-		SNA
#N/A	JF27-60051A	COIL FILTER;CF5400,60uH,50mOHM,18T		SNA
#N/A	JG72-40960A	PMO-CAP TONER;SF6000,PP,BLK,-,-,VO,-,-,-		SNA
#N/A	0201-001235	ADHESIVE-TS;DEH-390D,RED,400,-		SNA
#N/A	0202-001459	SOLDER-CREAM;S3X58-M405,-,D20~38\$,96.5SS		SNA
#N/A	0205-001002	GREASE-BEARING;NYOGEL744,WITH PTFE,-		SNA

SA : SERVICE AVAILABLE SNA : SERVICE not AVAILABLE DNA : DELIVERY not AVAILABLE

Drawer#	SEC-Code	Description & Specification	Location	Service
#N/A	0401-000116	DIODE-SWITCHING;MMSD914T1,100V,200MA,SOD		SNA
#N/A	0402-000129	DIODE-RECTIFIER;1N4003,200V,1A,DO-41,TP		SA
#N/A	0402-001212	DIODE-RECTIFIER;SS26,60V,2.0A,DO-214AA,T		SA
#N/A	0404-000112	DIODE-SCHOTTKY;RB420D,40V,100MA,SOT-23,T		SA
#N/A	0407-000122	DIODE-ARRAY;KDS226,80V,300mA,C2-3,SOT-23		SA
#N/A	0501-000279	TR-SMALL SIGNAL;KSA1182-Y,PNP,150mW,SOT-		SA
#N/A	0501-000342	TR-SMALL SIGNAL;KSC1623-Y,NPN,200mW,SOT-		SA
#N/A	0501-000398	TR-SMALL SIGNAL;KSC945-Y,NPN,250mW,TO-92		SA
#N/A	0501-000457	TR-SMALL SIGNAL;MMBT2222A,NPN,350mW,SOT-		SA
#N/A	0501-000632	TR-SMALL SIGNAL;2SB1197K,PNP,200mW,SOT-2		SA
#N/A	0505-001350	FET-SILICON;NDT2955,P,-60V,-2.5V,0.3OHM,		SA
#N/A	0601-001830	LED;SMD,GRN,1.6x0.8x0.4mm,570nm,1.6x0.8x		SA
#N/A	0801-002379	IC-CMOS LOGIC;74LCX16245,TRANSCEIVER,TSS		SA
#N/A	0801-002446	IC-CMOS LOGIC;74LCX14,SCHMITT INVERTER,T		SNA
#N/A	0904-001865	IC-USC;OTG242LP,16BIT,LQFP,64P,10.0X10.0		SA
#N/A	0904-001989	IC-USC;ISP1582BS,-,HVQFN56,56P,8X8X0.85M		SA
#N/A	1003-001535	IC-MOTOR DRIVER;A3977SLP,TSSOP,28P,9.6X4		SA
#N/A	1003-001729	IC-MOTOR DRIVER;AN44060A,HSOP,28P,326MIL		SA
#N/A	1006-001224	IC-LINE TRANSCEIVER;74LVX161284,TSSOP,48		SA
#N/A	1006-001316	IC-LINE DRIVER;FIN1047M,SOP,16P,10X6MM,-		SNA
#N/A	1103-001279	IC-EEPROM;24C32,4Kx8,SOP,8P,5x4mm,2.5/5.		SA
#N/A	1105-001357	IC-DRAM;K4S281632,-,128NBIT,4X2MX16BIT,T		SA
#N/A	1105-001379	IC-DRAM;K4S561632,-,256MBIT,4X4MX16BIT,T		SA
#N/A	1106-001228	IC-SRAM;6R1016,64KX16BIT,TSOP,44P,400MIL		SA
#N/A	1107-001590	IC-FLASH MEMORY;S29GL064M,64MBIT,8MX8/4M		SA
#N/A	1202-000164	IC-VOLTAGE COMP.;393,SOP,8P,150MIL,DUAL,		SA
#N/A	1203-002233	IC-RESET;XC61F,SOT-23,3P,-,PLASTIC,0.7/1		SNA
#N/A	1203-003739	IC-DC/DC CONVERTER;MVPG31,DFN,12P,4X3MM,		SNA
#N/A	1204-002457	IC-SIGNAL PROCESSOR;HT82V26A,209MIL,28P,		SNA
#N/A	1205-002339	IC-CLOCK GENERATOR;CY25811SC,SOIC,8P,150		SA
#N/A	1205-002762	IC-TRANSCEIVER;BCM5241KMLG,MLP,32P,5X5MM		SNA
#N/A	1404-001065	THERMISTOR-PTC;0.11OHM,-,-,13.2VAC,40A,1		SA
#N/A	2007-000033	R-CHIP;0ohm,5%,1/4W,TP,3216		SA
#N/A	2007-000070	R-CHIP;0ohm,5%,1/10W,TP,1608		SA
#N/A	2007-000071	R-CHIP;22ohm,5%,1/10W,TP,1608		SA
#N/A	2007-000074	R-CHIP;100ohm,5%,1/10W,TP,1608		SA
#N/A	2007-000076	R-CHIP;330ohm,5%,1/10W,TP,1608		SA
#N/A	2007-000078	R-CHIP;1Kohm,5%,1/10W,TP,1608		SA
#N/A	2007-000082	R-CHIP;3.3Kohm,5%,1/10W,TP,1608		SA
#N/A	2007-000083	R-CHIP;3Kohm,5%,1/10W,TP,1608		SA
#N/A	2007-000084	R-CHIP;4.7Kohm,5%,1/10W,TP,1608		SA
#N/A	2007-000086	R-CHIP;5.6Kohm,5%,1/10W,TP,1608		SA
#N/A	2007-000090	R-CHIP;10Kohm,5%,1/10W,TP,1608		SA
#N/A	2007-000091	R-CHIP;12Kohm,5%,1/10W,TP,1608		SA
#N/A	2007-000094	R-CHIP;22Kohm,5%,1/10W,TP,1608		SA
#N/A	2007-000096	R-CHIP;30Kohm,5%,1/10W,TP,1608		SA
#N/A	2007-000097	R-CHIP;47Kohm,5%,1/10W,TP,1608		SA
#N/A	2007-000098	R-CHIP;56Kohm,5%,1/10W,TP,1608		SA
#N/A	2007-000105	R-CHIP;200Kohm,5%,1/10W,TP,1608		SA
#N/A	2007-000107	R-CHIP;470Kohm,5%,1/10W,TP,1608		SA
#N/A	2007-000113	R-CHIP;33ohm,5%,1/10W,TP,1608		SA
#N/A	2007-000119	R-CHIP;560ohm,5%,1/10W,TP,1608		SA
#N/A	2007-000123	R-CHIP;1.5Kohm,5%,1/10W,TP,1608		SA
#N/A	2007-000125	R-CHIP;3.9Kohm,5%,1/10W,TP,1608		SA
#N/A	2007-000134	R-CHIP;33Kohm,5%,1/10W,TP,1608		SA
#N/A	2007-000309	R-CHIP;10ohm,5%,1/10W,TP,1608		SA
#N/A	2007-000402	R-CHIP;150ohm,5%,1/10W,TP,1608		SA
#N/A	2007-000475	R-CHIP;1Mohm,1%,1/10W,TP,1608		SA

SA : SERVICE AVAILABLE SNA : SERVICE not AVAILABLE DNA : DELIVERY not AVAILABLE

Drawer#	SEC-Code	Description & Specification	Location	Service
#N/A	2007-000539	R-CHIP;200ohm,5%,1/10W,TP,1608		SA
#N/A	2007-000704	R-CHIP;3.6Kohm,5%,1/10W,TP,1608		SA
#N/A	2007-000729	R-CHIP;300ohm,5%,1/10W,TP,1608		SA
#N/A	2007-000839	R-CHIP;39ohm,5%,1/10W,TP,1608		SA
#N/A	2007-000965	R-CHIP;5.1Kohm,5%,1/10W,TP,1608		SA
#N/A	2007-001002	R-CHIP;510ohm,5%,1/10W,TP,1608		SA
#N/A	2007-001044	R-CHIP;56ohm,5%,1/10W,TP,1608		SNA
#N/A	2007-001056	R-CHIP;6.2Kohm,5%,1/10W,TP,1608		SA
#N/A	2007-001134	R-CHIP;68ohm,5%,1/10W,TP,1608		SA
#N/A	2007-001139	R-CHIP;7.5Kohm,1%,1/10W,TP,1608		SA
#N/A	2007-001179	R-CHIP;8.2Kohm,5%,1/10W,TP,1608		SA
#N/A	2007-002901	R-CHIP;12.1Kohm,1%,1/10W,TP,1608		SA
#N/A	2007-002916	R-CHIP;475Kohm,1%,1/10W,TP,1608		SA
#N/A	2007-007226	R-CHIP;49.9ohm,1%,1/10W,TP,1608		SNA
#N/A	2007-007239	R-CHIP;31.6Kohm,1%,1/10W,TP,1608		SNA
#N/A	2007-007482	R-CHIP;1.24Kohm,1%,1/10W,TP,1608		SNA
#N/A	2007-007521	R-CHIP;14.7Kohm,1%,1/10W,TP,1608		SA
#N/A	2007-007733	R-CHIP;51ohm,1%,1/10W,TP,1608		SNA
#N/A	2007-008371	R-CHIP;280Kohm,1%,1/10W,TP,1608		SNA
#N/A	2007-008567	R-CHIP;15.4Kohm,1%,1/10W,TP,1608		SNA
#N/A	2011-000002	R-NET;22ohm,5%,1/16W,L,CHIP,8P,TP,3216		SA
#N/A	2011-000651	R-NET;10ohm,5%,1/16W,L,CHIP,8P,TP,3216		SA
#N/A	2011-000881	R-NET;33ohm,5%,1/16W,L,CHIP,8P,TP,3.2x1.		SA
#N/A	2011-001094	R-NET;39OHM,5%,1/16W,L,CHIP,8P,TP		SA
#N/A	2011-001193	R-NET;68ohm,5%,1/16W,L,CHIP,8P,TP		SA
#N/A	2011-001334	RC-NETWORK;1K/5.1K/39ohm,10%,150pF,-,6V,		SNA
#N/A	2203-000041	C-CER,CHIP;0.01nF,0.25pF,50V,C0G,1608		SA
#N/A	2203-000189	C-CER,CHIP;100nF,+80-20%,25V,Y5V,1608		SA
#N/A	2203-000206	C-CER,CHIP;100nF,10%,50V,X7R,2012		SA
#N/A	2203-000236	C-CER,CHIP;0.1nF,5%,50V,C0G,1608		SA
#N/A	2203-000257	C-CER,CHIP;10nF,10%,50V,X7R,1608		SA
#N/A	2203-000332	C-CER,CHIP;0.012nF,5%,50V,C0G,1608		SNA
#N/A	2203-000357	C-CER,CHIP;0.15nF,5%,50V,C0G,1608		SA
#N/A	2203-000384	C-CER,CHIP;0.015nF,5%,50V,C0G,1608		SA
#N/A	2203-000440	C-CER,CHIP;1nF,10%,50V,X7R,1608		SA
#N/A	2203-000491	C-CER,CHIP;2.2nF,10%,50V,X7R,1608		SA
#N/A	2203-000626	C-CER,CHIP;0.022nF,5%,50V,C0G,1608		SA
#N/A	2203-000783	C-CER,CHIP;0.33nF,5%,50V,C0G,1608		SA
#N/A	2203-000815	C-CER,CHIP;0.033nF,5%,50V,C0G,1608		SA
#N/A	2203-000998	C-CER,CHIP;0.047nF,5%,50V,C0G,1608		SA
#N/A	2203-001071	C-CER,CHIP;0.056nF,5%,50V,C0G,1608		SA
#N/A	2203-001607	C-CER,CHIP;0.22nF,5%,50V,NP0,1608		SA
#N/A	2203-002392	C-CER,CHIP;220nF,+80-20%,50V,Y5V,2012		SA
#N/A	2203-005249	C-CER,CHIP;100nF,10%,50V,X7R,1608		SNA
#N/A	2203-005384	C-CER,CHIP;4700nF,+80-20%,10V,Y5V,2012		SA
#N/A	2203-005819	C-CER,CHIP;1000nF,+80-20%,16V,Y5V,-,1608		SNA
#N/A	2203-006474	C-CER,CHIP;22000nF,20%,6.3V,X5R,2012		SA
#N/A	2203-006646	C-CER,CHIP;10000nF,10%,6.3V,X5R,2012		SA
#N/A	2401-000042	C-AL;100uF,20%,16V,GP,TP,6.3x7.5		SA
#N/A	2401-002300	C-AL;47uF,20%,50V,GP,TP,6.3x11.5		SA
#N/A	2402-000008	C-AL,SMD;47uF,20%,16V,GP,TP,6.6x6.6x5.4		SA
#N/A	2402-000173	C-AL,SMD;4.7uF,20%,35V,GP,TP,4.3x4.3x5.4		SA
#N/A	2402-001178	C-AL,SMD;10uF,20%,16V,WT,TP,4.3x4.3x5.8m		SA
#N/A	2703-002055	INDUCTOR-SMD;2.2UH,20%,6363		SNA
#N/A	2801-000111	CRYSTAL-SMD;0.032768MHZ,20PPM,28-AAW,12.		SA
#N/A	2804-001520	OSCILLATOR-CLOCK;6MHz,25ppm,10TTL,15pF,T		SNA
#N/A	3301-000317	BEAD-SMD;120ohm,2012,TP,-,-		SA
#N/A	3301-000319	BEAD-SMD;26ohm,2x1.25x0.9mm,600mA,TP,,0		SA

SA : SERVICE AVAILABLE SNA : SERVICE not AVAILABLE DNA : DELIVERY not AVAILABLE

Drawer#	SEC-Code	Description & Specification	Location	Service
#N/A	3301-000325	BEAD-SMD;60ohm,3.2x2.5x1.3mm,400mA,TP,,		SNA
#N/A	3301-001240	BEAD-SMD;120ohm,1.6x0.8x0.8mm,200mA,TP,-		SNA
#N/A	3711-002807	HEADER-BOARD TO CABLE;BOX,6P,1R,2mm,STRA		SNA
#N/A	3711-003035	HEADER-BOARD TO CABLE;BOX,14P,2R,2mm,STR		SA
#N/A	3711-003411	HEADER-BOARD TO CABLE;BOX,5P,1R,2mm,STRA		SNA
#N/A	3711-004379	HEADER-BOARD TO CABLE;BOX,4P,1R,2mm,STRA		SA
#N/A	3722-001051	JACK-USB;4P/1C,AU,BLK,ANGLE,A TYPE		SA
#N/A	JB70-00070A	IPR-WASHER WAVE;SF-4750C,SUS301,-,0.1T,-		SA
#N/A	JB70-00154A	ICT-INSERT SHAFT;SCX-1110/XRX,SUM24L,5,-		SNA
#N/A	JB75-00382A	MEC-ANTISTATIC BRUSH ATT;SF-330,SAMSUNG,		SNA
#N/A	JC07-00003A	LCD-DISPLAY(XEV);VHX1620BHRC9,SCX-5312F/	D2159	SA
#N/A	JC13-00031C	IC ASIC-CHORUSM;CHORUSM,SCX-5530FN,496PI		SA
#N/A	JC39-00306A	CBF HARNESS-LCD;CLP-500,WIRE,UL2877,14-1		SA
#N/A	JC39-00517A	CBF HARNESS-CRUM2;SCX-5530FN,CBF,UL 1061	D2162	SA
#N/A	JC41-00145A	PCB-DIMM VE(4LAYER);ML-1650,FR-4,4,-,1.2		SNA
#N/A	JC41-00218A	PCB-TERMINAL;SCX-6320F,FR-4,2L,-,1.6T,54		SNA
#N/A	JC41-00313A	PCB-MAIN CONTROLLER;SCX-5530FN,FR-4,6,-,		SNA
#N/A	JC61-00025A	SPRING ETC-CS-CHARGE APOLLO;SF-5100,SUS		SNA
#N/A	JC61-00423A	BUSH-6_D;ML-9400W,BEARING OIL,-,-,-,NTR,	B0025	SA
#N/A	JC61-00963B	STOPPER-M_PICKUP ADF;SCX-5530FN,POM,-,10		SNA
#N/A	JC61-01606A	BLADE-P_SUS;SCX-5530FN,SUS301-CSP 1/2H ,		SNA
#N/A	JC61-01607A	BRACKET-P_BLADE;SCX-5530FN,SPCC,1.2,13.1		SNA
#N/A	JC61-01613A	FRAME-M_CLEANING;SCX-5530FN,ABS+GF20%,-,		SNA
#N/A	JC61-01616A	PLATE-M_DEVE L;SCX-5530FN,PC,-,34.3,161,		SNA
#N/A	JC61-01617A	PLATE-M_DEVE R;SCX-5530FN,PC,-,49.72,161		SNA
#N/A	JC62-00249A	SEAL-CLEAN L;SCX-5530FN,PTFE FELT+PORON,		SNA
#N/A	JC62-00250A	SEAL-CLEAN R;SCX-5530FN,PTFE FELT+PORON,		SNA
#N/A	JC62-00251A	SEAL-CLEAN SUB;SCX-5530FN,POLYURETHAN FO		SNA
#N/A	JC62-00304A	SEAL-FILM OPC;SCX-5530FN,URETHANE FILM,-		SNA
#N/A	JC63-00383A	SHEET-FILM AGITATOR2;SCX-4920N,PET,0.1,1		SNA
#N/A	JC63-00995A	COVER-P-CLUTCH;SCX-5530FN,SECC,1.2,92,48		SNA
#N/A	JC63-01153A	GROUND-P_BRUSH;SCX-5530FN,SUS301-1/2H,0.		SNA
#N/A	JC66-00456A	GEAR-40/21 ADF;SCX-4216F,POM,M0.6,Z40/21		SA
#N/A	JC66-00461A	ROLLER-M-ADF IDLE;SCX-4114F,POM,-,-,BLK,	K4221	SA
#N/A	JC66-00662A	SHAFT-REGI;SCX-6320F,SUM24L,47.5,PI 6.0,		SA
#N/A	JC66-00823A	DRUM-OPC;ML-1610,AL A30 OR A60,-,24,248,		SNA
#N/A	JC66-00972A	CLUTCH-2.5K Z24;SCX-6345N/XRX,POM+METAL,		SA
#N/A	JC66-01174A	GEAR-40/21;SCX-5530FN,POM,M0.6/1.0,Z40/2		SNA
#N/A	JC66-01175A	GEAR-24;SCX-5530FN,POM,M0.6,Z 24,-,WHITE		SNA
#N/A	JC66-01176A	GEAR-39/29;SCX-5530FN,POM,M0.6/1.0,Z39/2		SNA
#N/A	JC66-01179A	GEAR-OPC L;SCX-5530FN,PC(LS-1250),0.8,29		SNA
#N/A	JC66-01185A	SHAFT-OPC;SCX-5530FN,SUS303,287,6,NTR,-,		SNA
#N/A	JC67-00104A	BRUSH-CARBON;ML-3560,SM190,-,D9.9.5,-,-	B0020	SNA
#N/A	JC67-00153A	CAP-M_CRUM;SCX-5530FN,ABS,2,28.7,35.6,BL		SNA
#N/A	JC68-01099A	LABEL(P)-WARNING ADF;COMMON,SAMSUNG,ART1		SNA
#N/A	JC68-01702A	LABEL-CAUTION;SCX-5530FN,-,WHITE PET,0.0		SNA
#N/A	JC70-00153A	IPR-ELECTRODE CHARGE;ML-4500,SUS301,-,8.		SNA
#N/A	JC70-00526A	ELECTRODE-P_SR;SCX-5530FN,SUS301-CSP,-,-		SNA
#N/A	JC71-00009A	NPM-BUSHING DEV R;ML-6060,BRONZE,D7*12,-		SNA
#N/A	JC71-00058A	ELECTRODE-P-INNER_KEY;SCX-5530FN,T0.3,-,		SNA
#N/A	JC71-00059A	ELECTRODE-FUSER ECOIL;SCX-5530FN,T4.5,-,		SNA
#N/A	JC72-00081A	PMO-BUSHING AGI L;SF-5100,POM,BLK,-,-,-,		SNA
#N/A	JC72-00083A	PMO-HOLDER CR;SF-5100,POM,BLK,-,-,-,-,-,		SNA
#N/A	JC72-00288B	PPR-SPACER DR R;SF-5100,TEFRON,WHT,-,-,T		SNA
#N/A	JC72-01105A	PMO-BUSHING FEED MID;CLP-500,POM,WHITE,-	F6160	SNA
#N/A	JC72-01309A	PPR-FILM AGITATOR;ML-2150,PET SHEET,NTR,		SNA
#N/A	JC72-01321A	PMO-AGITATOR 1;SCX-4920N,ABS+GF20,BLK,L2		SNA
#N/A	JC72-01322A	PMO-AGITATOR 2;SCX-4920N,ABS,BLK,216.8*3		SNA

SA : SERVICE AVAILABLE SNA : SERVICE not AVAILABLE DNA : DELIVERY not AVAILABLE

Drawer#	SEC-Code	Description & Specification	Location	Service
#N/A	JC72-10925A	PPR-FILM SUPPORT AGI;ML-5000,PET T0.3,NT		SNA
#N/A	JC72-40332A	PMO-BUSHING_CHARGE;ML-80,POM,BLK,HB,-		SNA
#N/A	JC72-41105A	PMO-BUSHING DEV;ML-5000,POM,NTR,-,-,-,-		SNA
#N/A	JC73-00101A	RPR-SEAL CLN BRKT;ML-6060,URETHANE FOAM,		SNA
#N/A	JC73-40906A	RMO-SEAL AGITATOR;ML-5000,SANTOPRENE,-,-		SNA
#N/A	JC75-00043A	MEC-GEAR OPC R;SF-5100,SEC,-,-,BLK,-,-		SNA
#N/A	JC92-01753A	PBA SUB-CRUM;SCX-5530FN,SEC,-,-,-,-,21		SNA
#N/A	JC94-00764A	PHANTOM AU JC92-01636A		SNA
#N/A	JC94-01136A	REV 0.1		SNA
#N/A	JC94-01162A	REV 0.2		SNA
#N/A	JC97-02426A	MEA-CLEANING BLADE;SCX-5530FN,SEC,DOMEST		SNA
#N/A	0205-001056	GREASE-GRAPHITE;CRS841,WHT,-		SNA
#N/A	0401-000005	DIODE-SWITCHING;1N4148,75V,150mA,DO-35,T		SA
#N/A	0601-001226	LED;SMD,RED,1.2x0.8mm,660nm,1.6x0.8mm		SA
#N/A	0801-002469	IC-CMOS LOGIC;74HC14,SCHMITT INVERTER,TS		SA
#N/A	2005-000419	R-WIRE WOUND,NON;0.33ohm,1%,1W,AA,TP,4.3		SNA
#N/A	2007-000075	R-CHIP;220ohm,5%,1/10W,TP,1608		SA
#N/A	2007-000120	R-CHIP;680ohm,5%,1/10W,TP,1608		SA
#N/A	2011-001011	R-NET;10Kohm,5%,1/16W,L,CHIP,8P,TP,3.2x1		SNA
#N/A	2203-001222	C-CER,CHIP;0.82nF,10%,50V,X7R,1608		SA
#N/A	2401-001363	C-AL;470uF,20%,16V,GP,TP,10x12.5,5		SA
#N/A	2802-001069	RESONATOR-CERAMIC;7.37MHz,0.5%,TP,4.7x4.		SNA
#N/A	3301-000344	BEAD-RADIAL;200ohm,3.5x0.6x6.5mm,7000mA,		SNA
#N/A	JB13-00004A	IC ASIC-OPE;SF-3100,HT48C5,SSOP,48P,16.1		SA
#N/A	JB68-00705A	LABEL(R)-DOUBLE CORE;COMMON,-,-,-,-,COMP		SNA
#N/A	JB70-00236A	ICT-HINGE SHAFT(4IN1);SCX-1150F,SWCH,5.0		SA
#N/A	JC41-00248A	PCB-SUB (1LAYER);SCX-4720F,FR-1,1,-,1.6T		SNA
#N/A	JC41-00315A	PCB-OPE;SCX-5530FN,FR-1,1,-,1.6T,380*93.		SNA
#N/A	JC41-00319A	PCB-CONNECTION;SCX-5530FN,FR-1,1,-,1.6T,		SNA
#N/A	JC61-00387A	SPRING ETC-PAD;ML-9400W,SUS304WPB,PI0.5,	S0028	SA
#N/A	JC61-00695A	HINGE-M-CAM;SCX-4216F,POM,-,-,-,WHITE,-,	H3011	SA
#N/A	JC61-00696A	HINGE-M-FRAME;SCX-4216F,POM,-,-,-,WHITE,	H3012	SA
#N/A	JC61-00697A	HINGE-M-PRESSURE;SCX-4216F,PC(LF1025),-	H3016	SA
#N/A	JC61-01608A	BRACKET-P_CLEANING;SCX-5530FN,SECC,1.2,1		SNA
#N/A	JC61-01698A	BLADE-CLEANING;SCX-5530FN,POLY-URETHANE,		SNA
#N/A	JC66-00012A	GEAR-OPC R;SF-5100,POM(M90-44),BLK,M0.6,	O1065	SA
#N/A	JC71-00002A	NPR-EARTH OPC APOLLO;SF-5100,C5210P-H,0.		SNA
#N/A	JC94-01132A	V0.0		SNA
#N/A	JC94-01146A	REV 0.2		SNA
#N/A	0407-000101	DIODE-ARRAY;DA204K,20V,100mA,C2-3,SOT-23		SA
#N/A	1103-001367	IC-EEPROM;AT88SC0204C,2KBIT,256X8BIT,SOP		SNA
#N/A	2401-000414	C-AL;10uF,20%,16V,GP,TP,4x7,5		SNA
#N/A	JC39-40511A	CBF HARNESS;ML-80,JUMPER,AWG22,52mm,SILV	D2176	SA
#N/A	JC41-00314A	PCB-CRUM;SCX-5530FN,FR-1,1,-,1.6T,21.8*3		SNA
#N/A	JC41-00317A	PCB-ADF;SCX-5530FN,FR-1,1,-,1.6T,108*53M		SNA