

7. Exploded Views and Parts List(SCX-4725FN/STS)

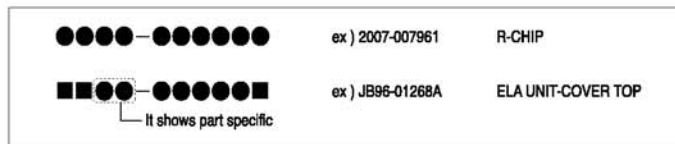
Contents

7.1 Main	7-2
7.2 Cover Housing	7-3
7.3 Front Cover	7-4
7.4 Rear Cover	7-5
7.5 Frame Ass'y	7-6
7.6 ADF Ass'y	7-7
7.7 Platen Cover Ass'y	7-8
7.8 Platen Ass'y	7-9
7.9 OPE Unit	7-10
7.10 RX Drive Unit	7-11
7.11 MP Tray	7-12
7.12 Fuser Unit	7-13
7.13 Paper Path Ass'y	7-14
7.14 Pick Up Unit	7-15

Way to observe Part Code & Description

Part code and Description is quoted and controlled by determined standard. Refer to this determined standard, it will help with ordering Part.

• There are two kinds of Part code inscription type.



(● : figure, ■ : character (alphabet))

Type 1 : Controlled by Company : It can be commonly used for all kinds of product SEC produce. Mostly, electronics Parts.

Type 2 : Controlled by Division : It is used or one produce. Mostly, Mostly, mechanical Parts.

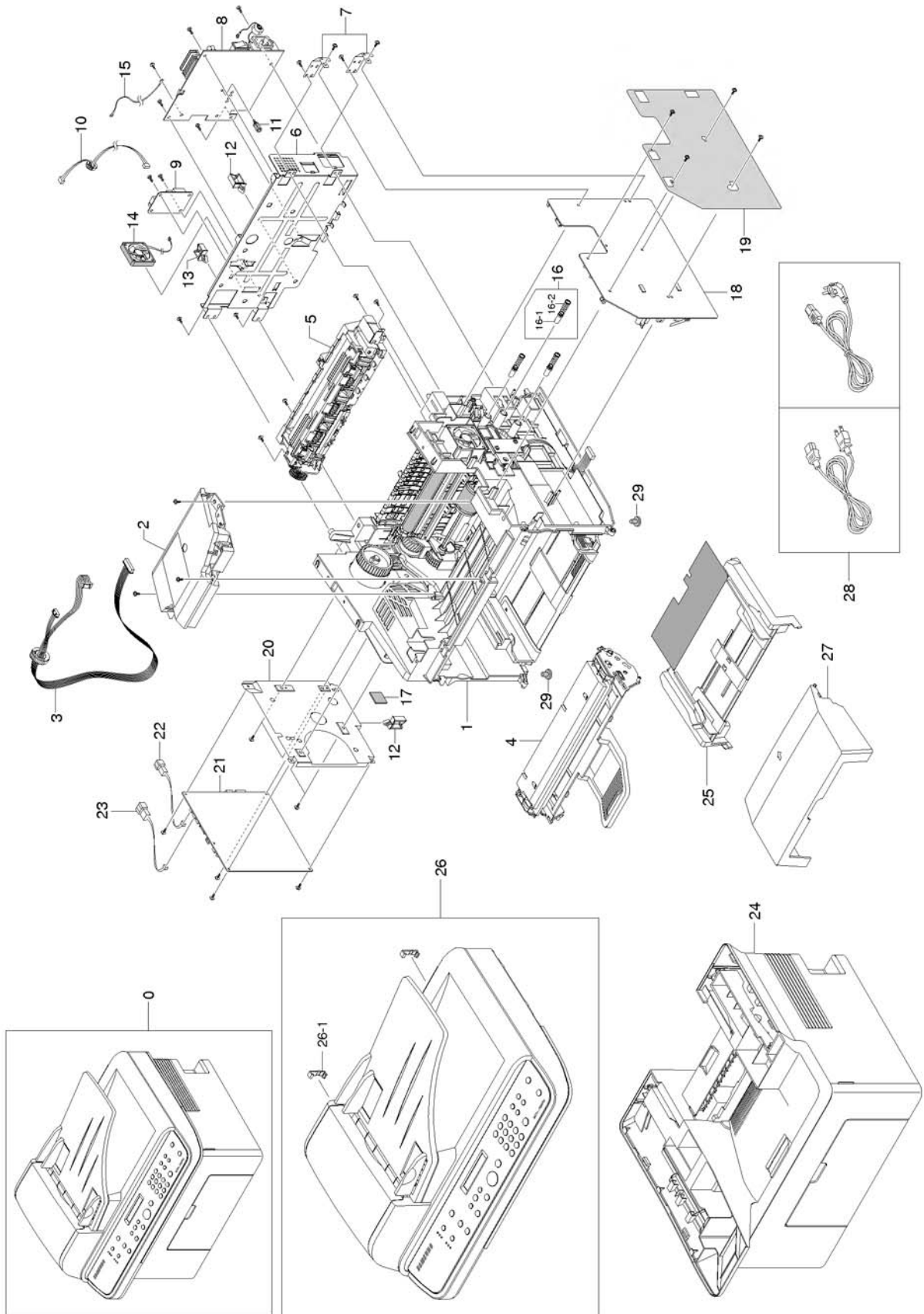
• **A/S privately used part** : It is only used for A/S .

• **Ass'y part** : Assembled by more than 2 Parts. If necessary part is not A/S Part, Ass'y part including necessary par can be used. It is shown in the diagram and drawing of SVC manual.

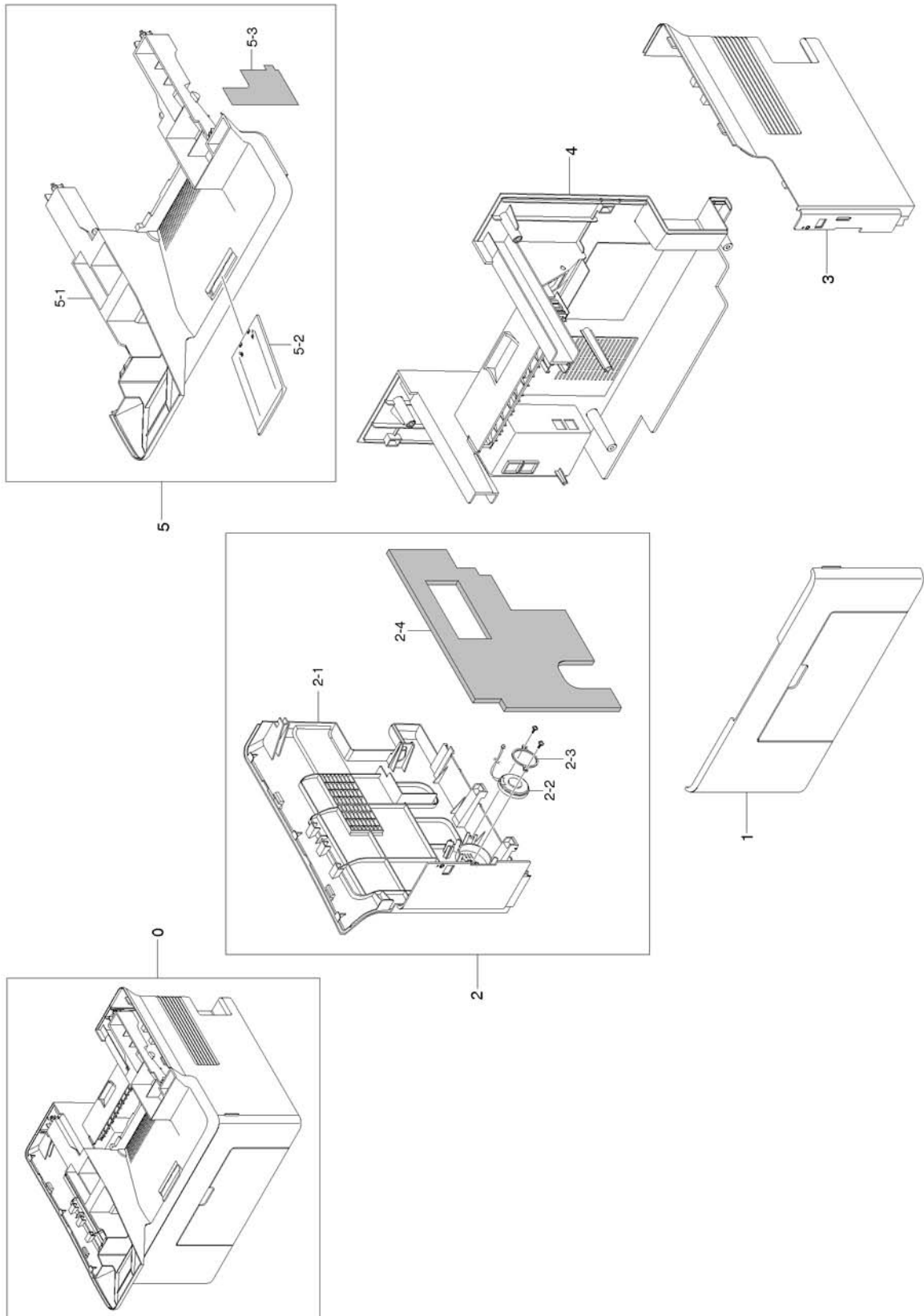
• Ass'y part and A/S privately used Part is distinguished by part Code and Description. The are inscription type 2. It is recognized by Part character and front side of description.

DIVISION	PART CODE	DESCRIPTION
A/S Private	**81-***** (JB81-00039A)	AS-***** (AS-USE)
ASS'Y Part	**75-***** (JB75-00068A)	MEC-***** (MEC-CHUTE)
ASS'Y Part	**92-***** (JB92-01131A)	PBA ***** (PBA MAIN-CONTROLLER)
ASS'Y Part	**97-***** (JB97-01089A)	MEA ***** (MEA UNIT-PULLEY IDLE)

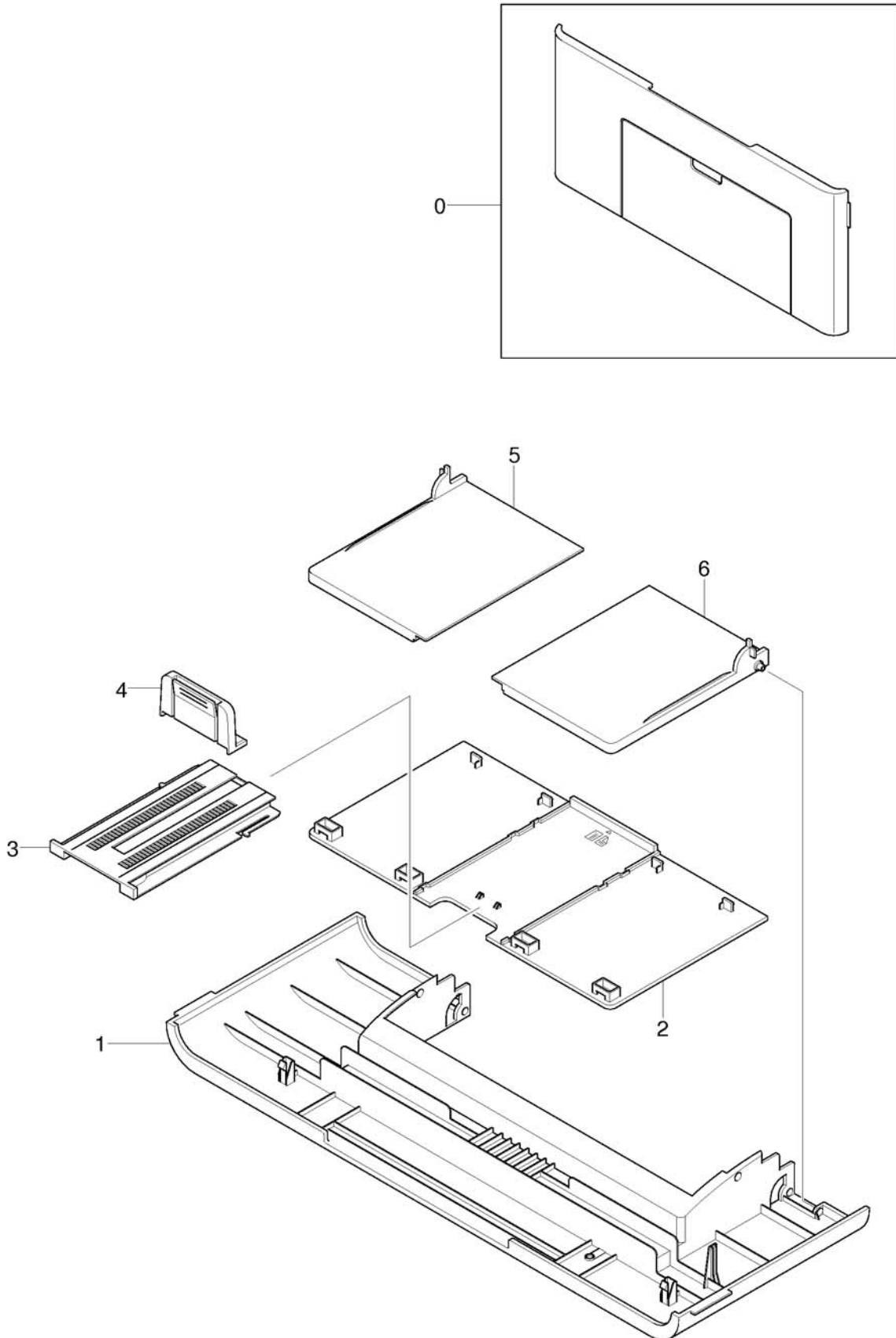
7.1 Main



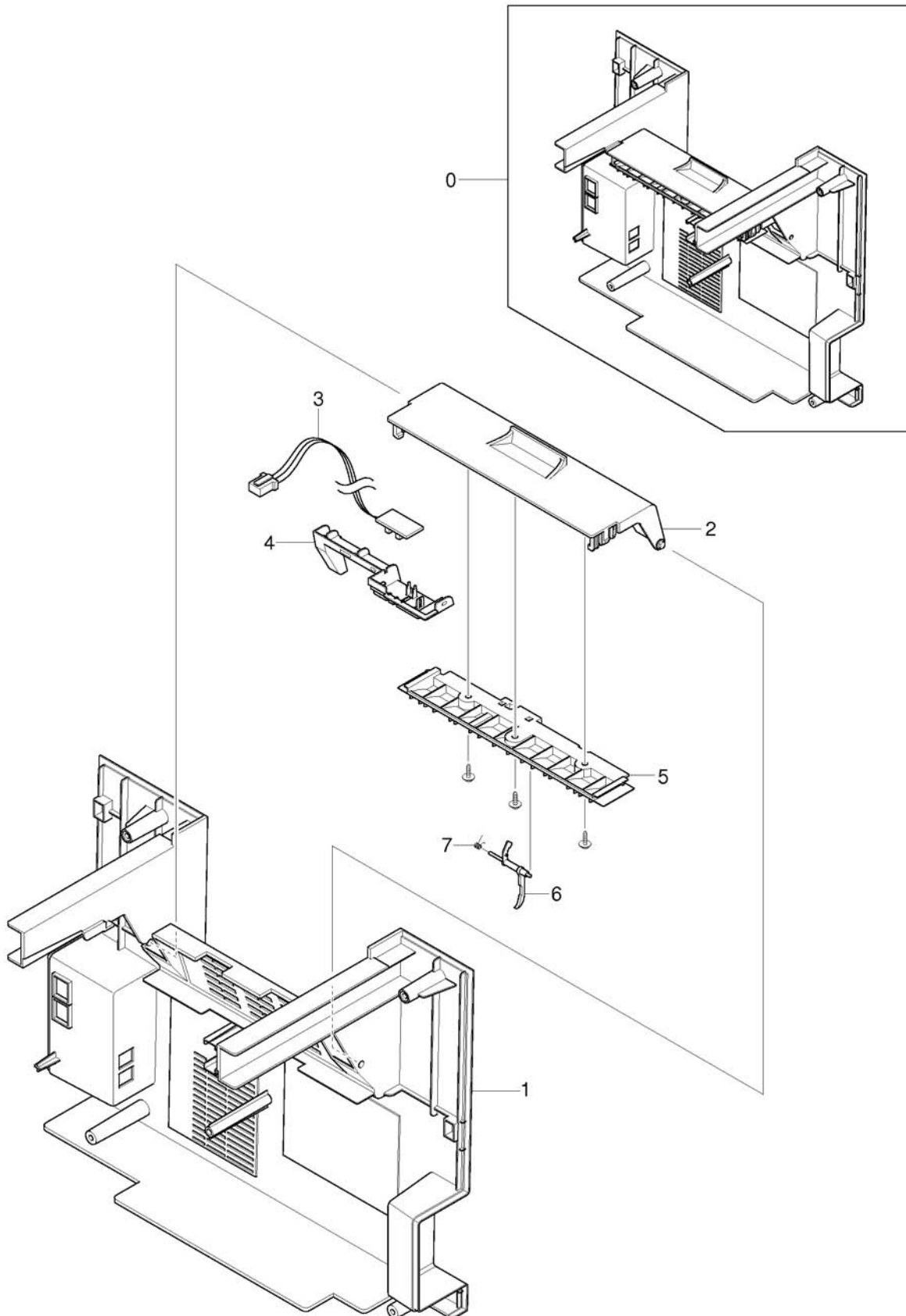
7.2 Cover Housing



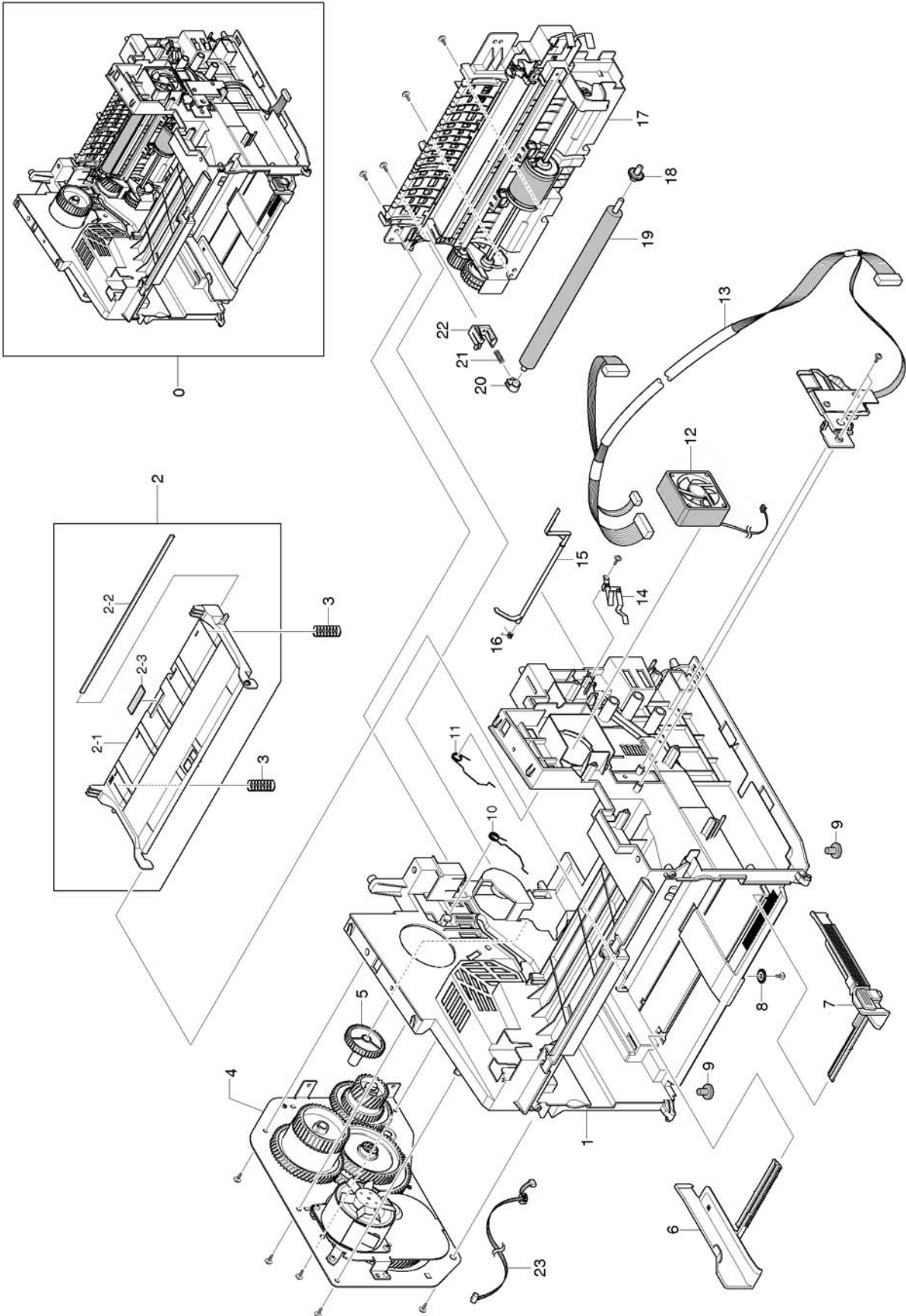
7.3 Front Cover



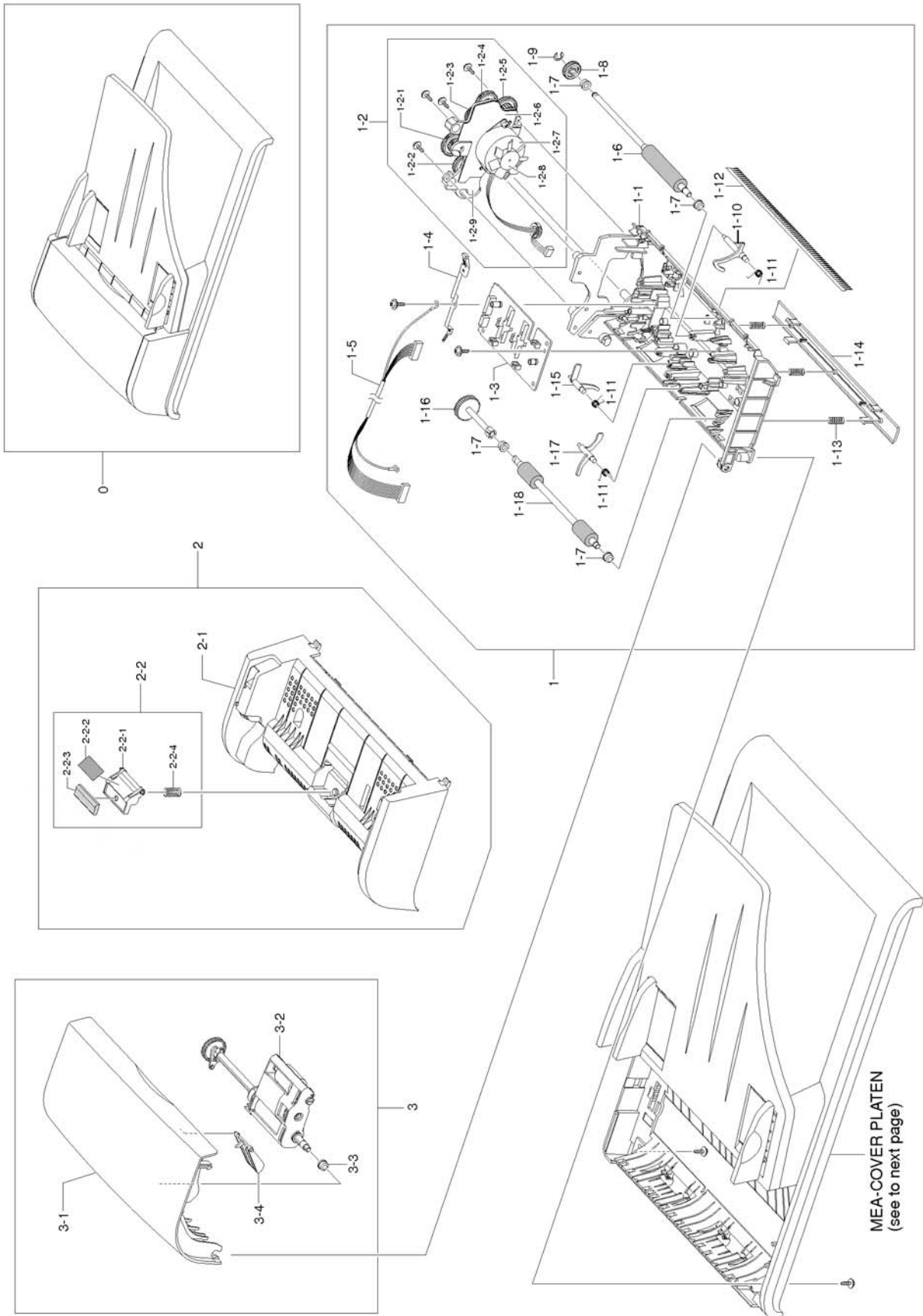
7.4 Rear Cover



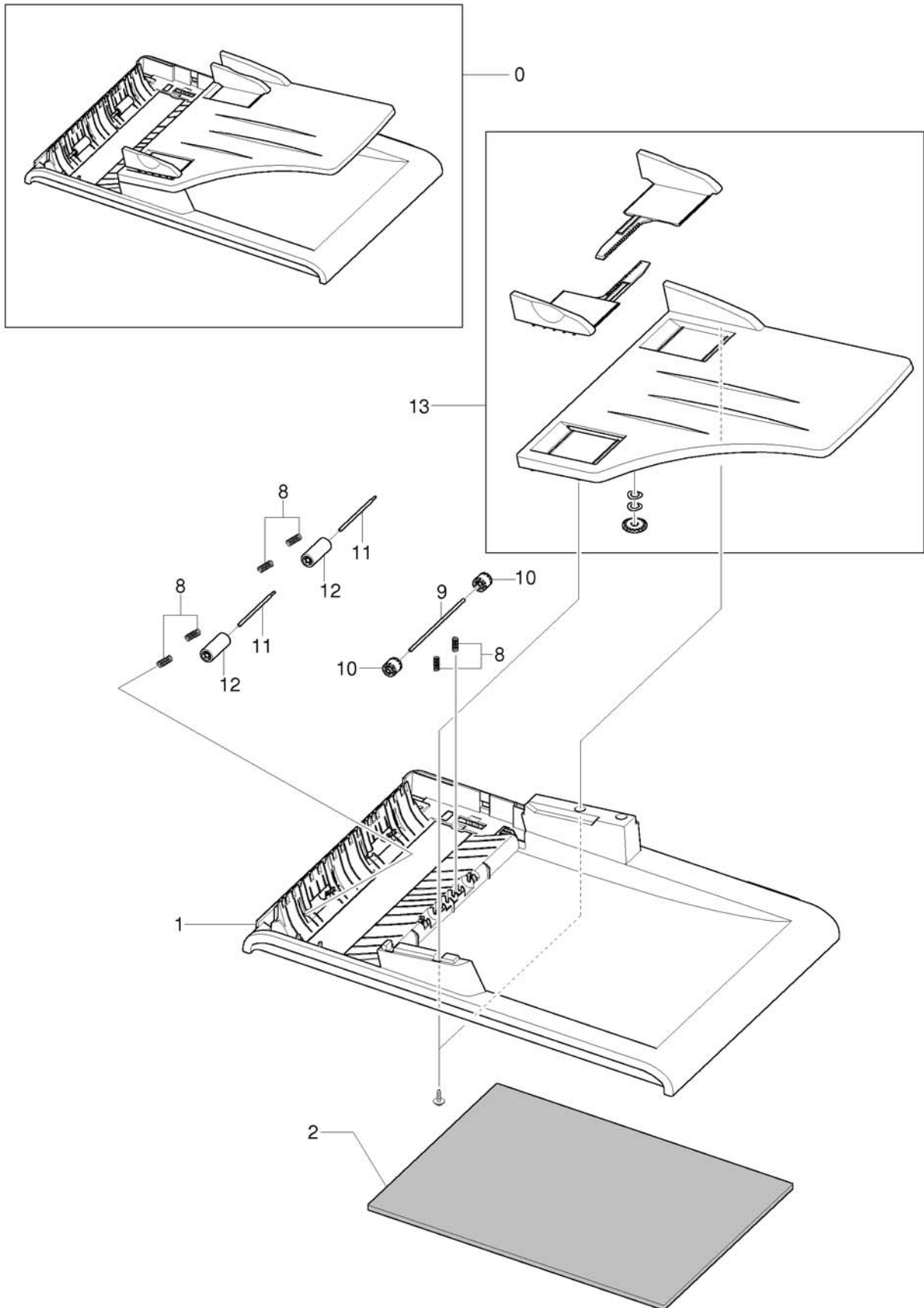
7.5 Frame Ass'y



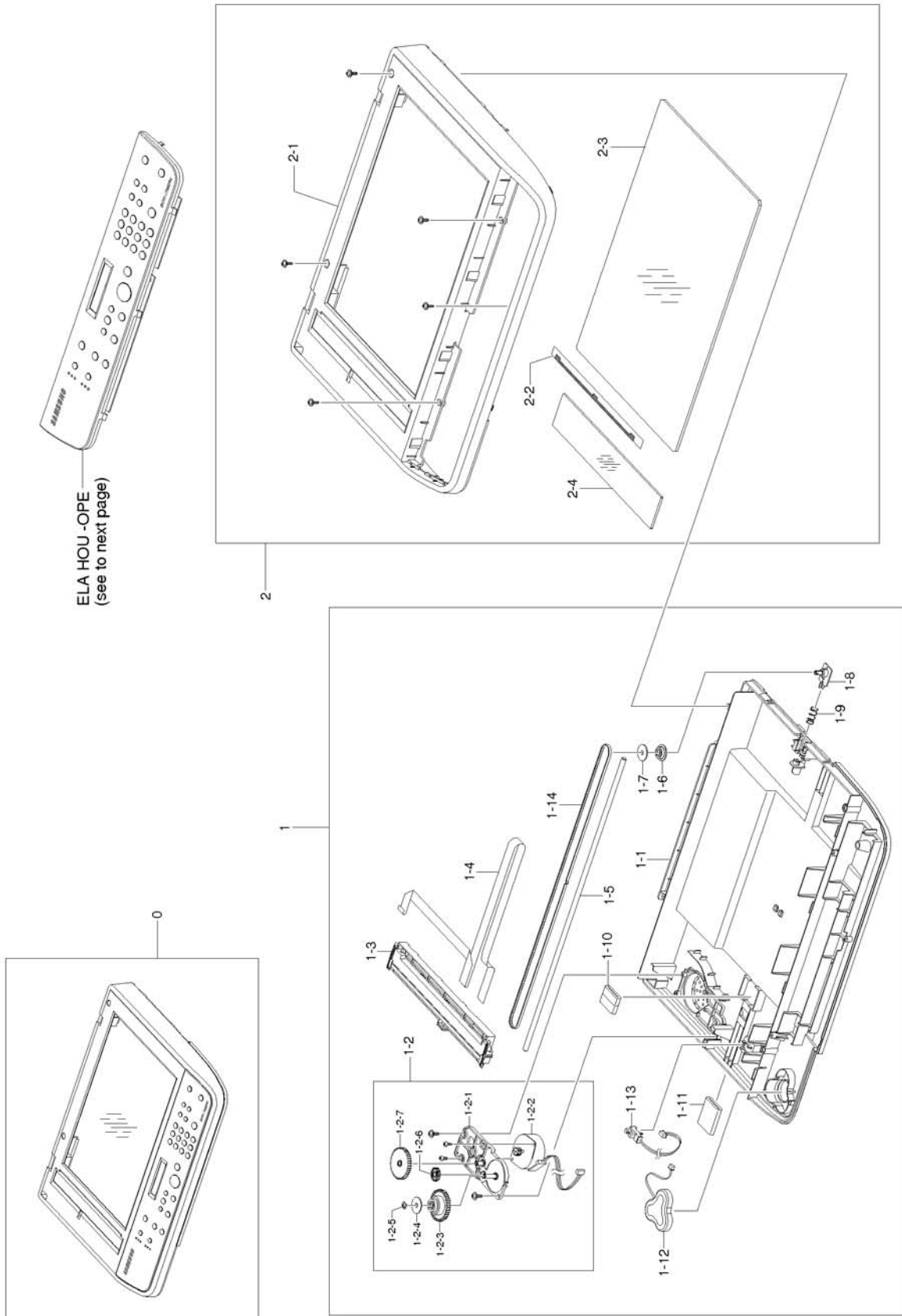
7.6 ADF Ass'y



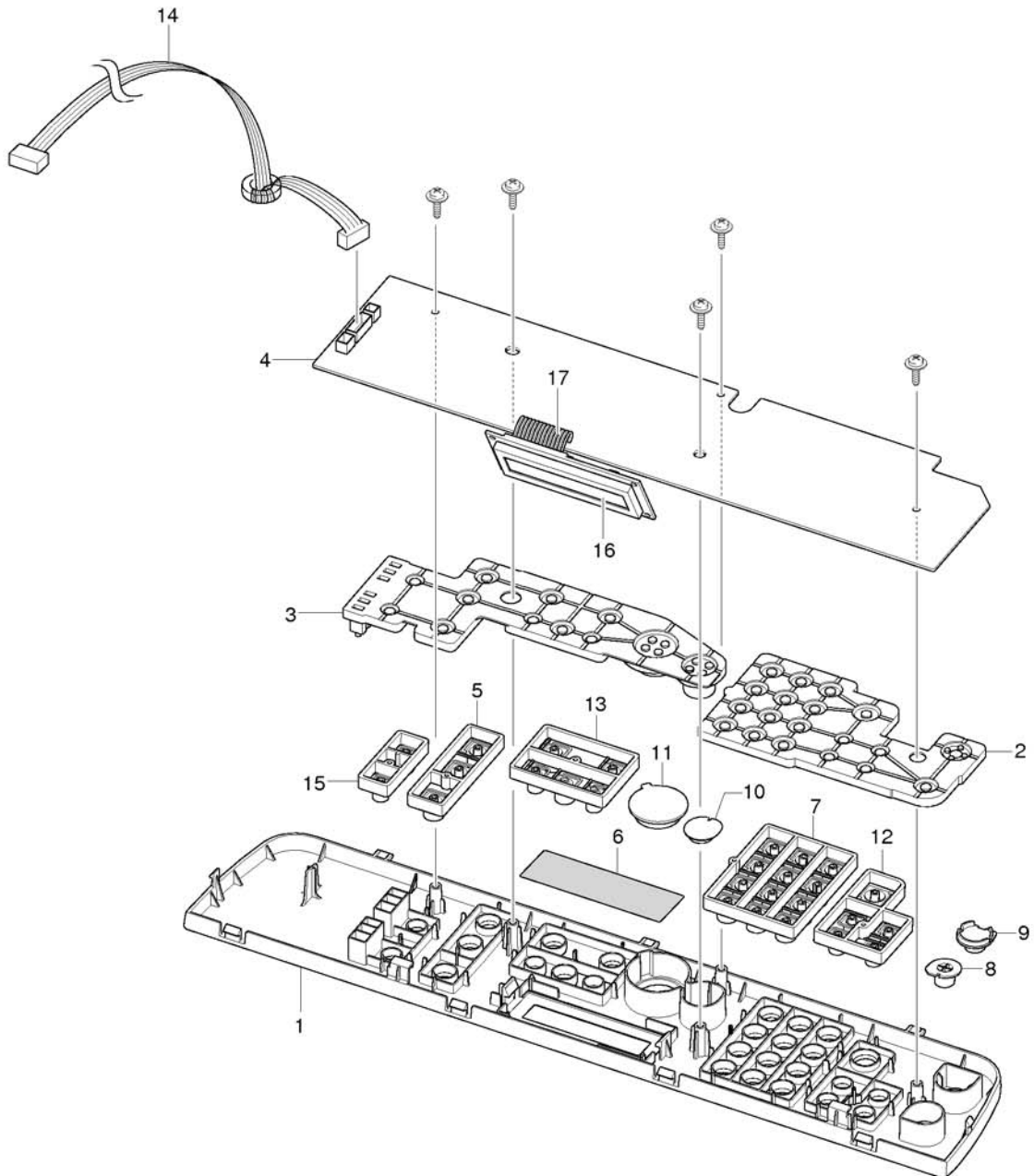
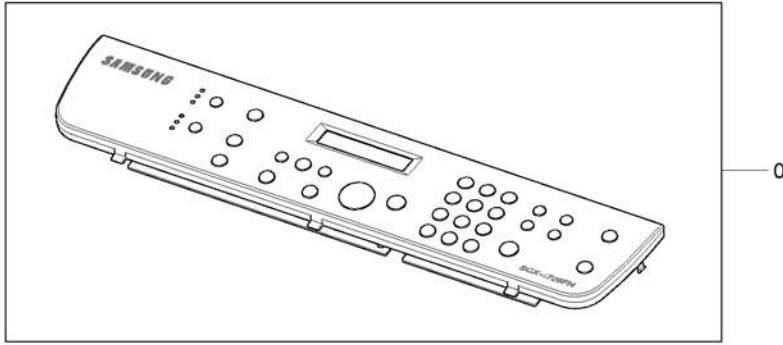
7.7 Platen Cover Ass'y



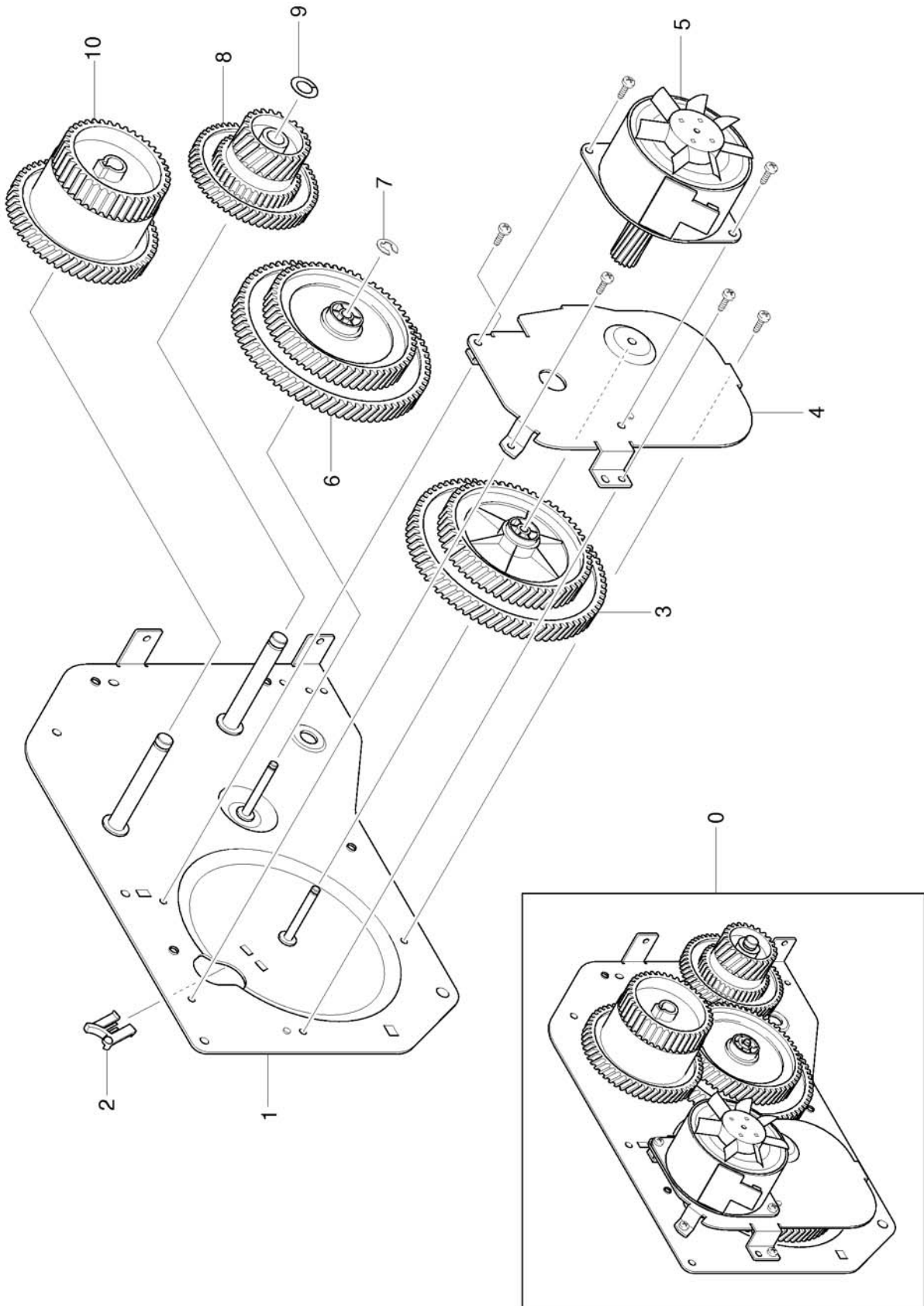
7.8 Platen Ass'y



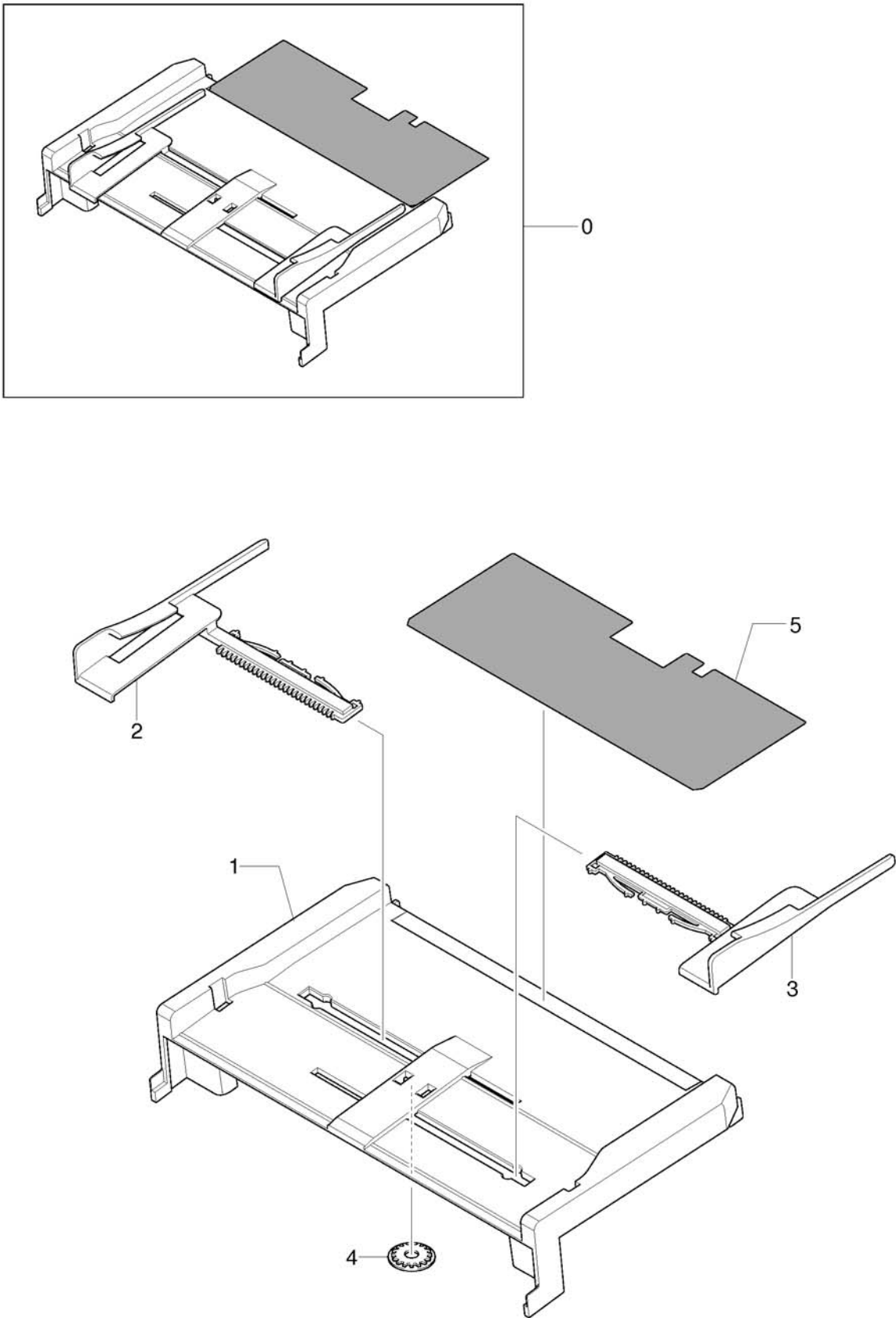
7.9 OPE Unit



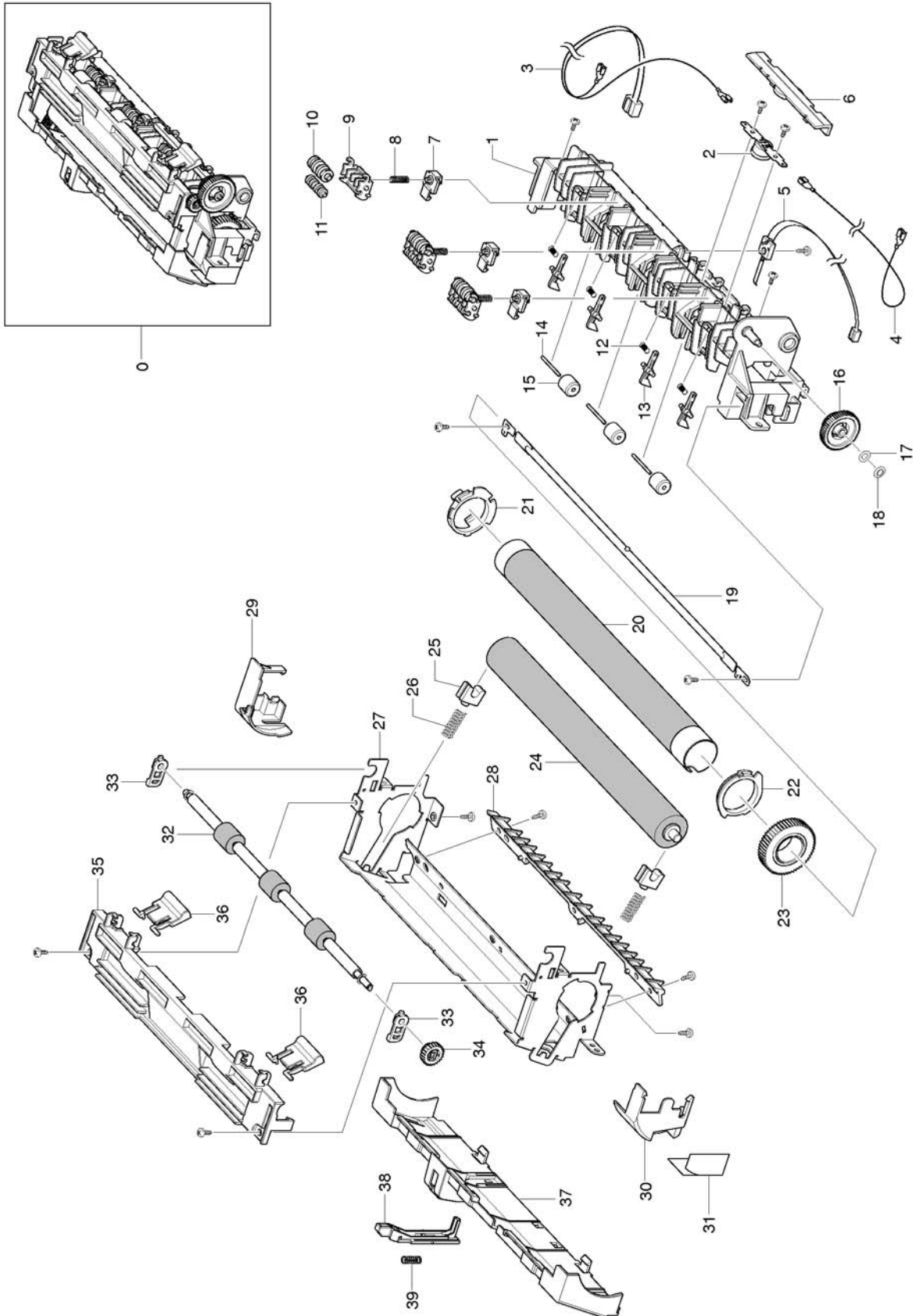
7.10 RX Drive Unit



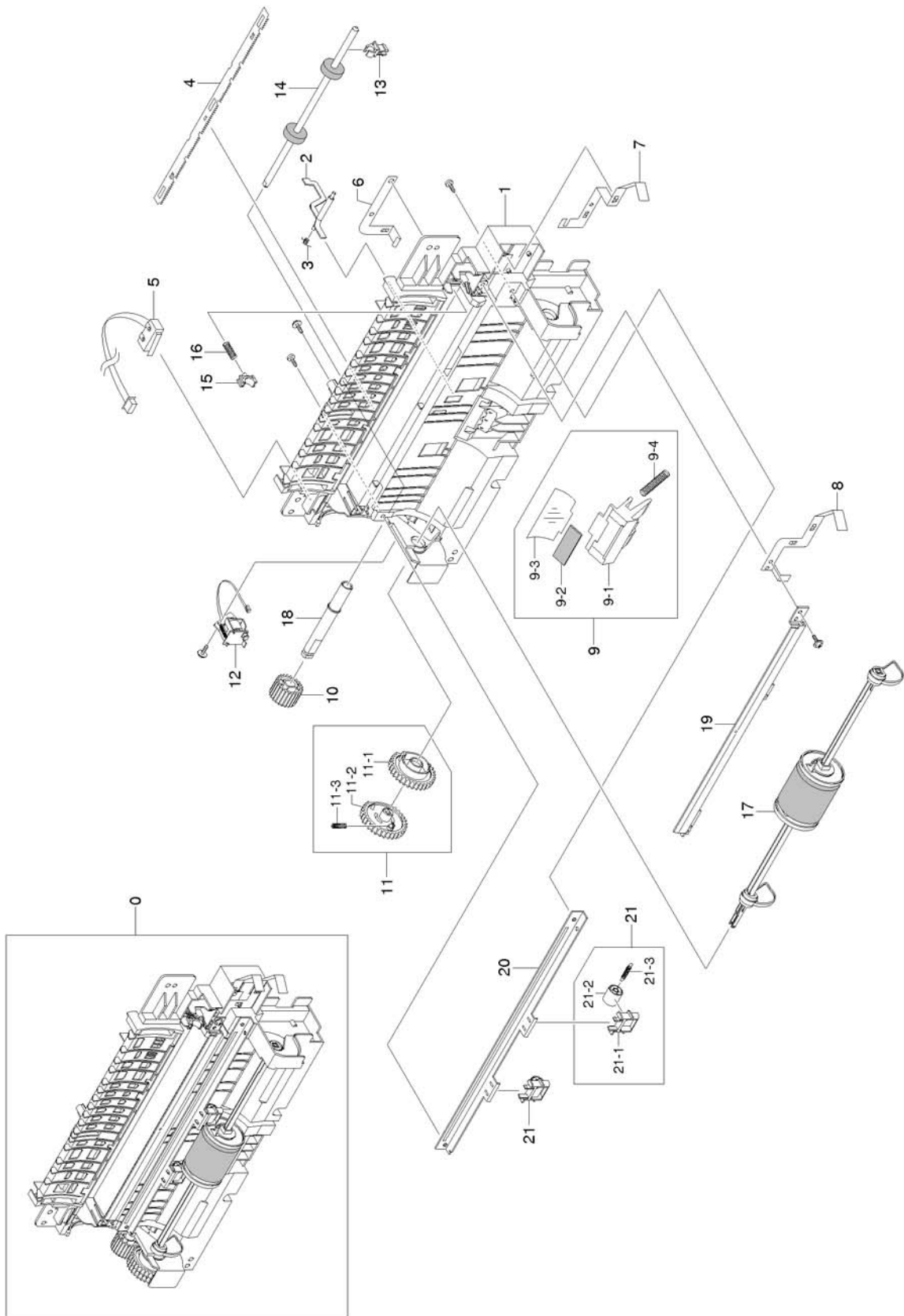
7.11 MP Tray



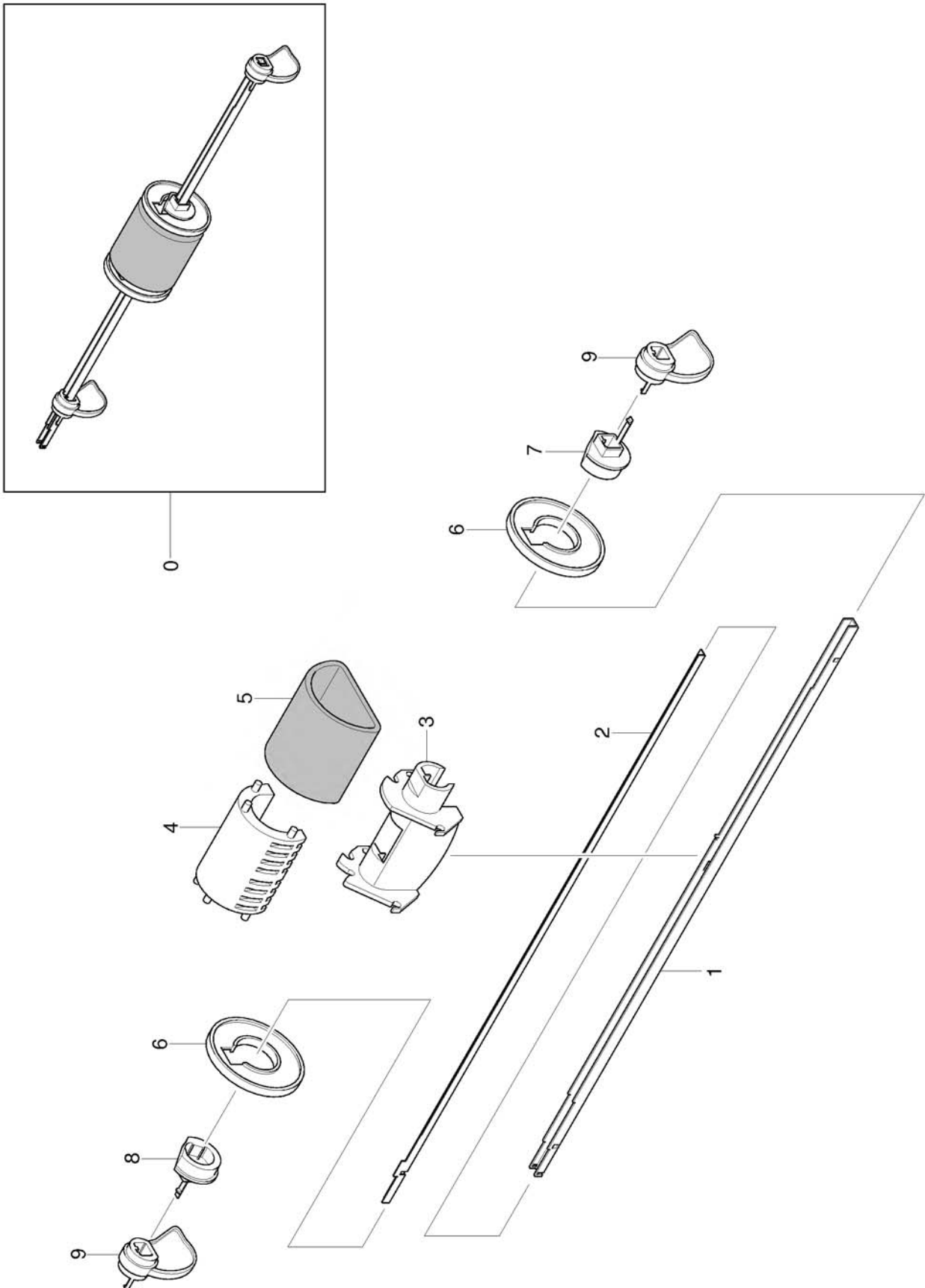
7.12 Fuser Unit



7.13 Paper Path Ass'y



7.14 Pick UP Unit



Service Parts List(Model: SCX-4725FN/STS)

SVC : SA(Service Available), SNA(Service not Available)

Drawer#	SEC_CODE	DESCRIPTION	QT'Y	SVC	REMARK
7.1-0	-	SCX-4725FN			
7.1-1	JC96-04230A	ELA HOU-FRAME_LOWER	1	SA	
7.1-2	JC96-04065A	ELA UNIT-LSU	1	SA	
7.1-3	JC39-00642A	HARNESS-LSU	1	SA	
7.1-4	JC96-03352S	ELA UNIT-DEVE INITIAL	1	SNA	
7.1-5	JC96-04231A	ELA HOU-FUSER	1	SA	AC 220V
7.1-6	JC63-01190A	SHIELD-ENGINE	1	SNA	
7.1-7	JC63-00631A	GROUND-P-HVPS	2	SNA	
7.1-8	JC44-00134A	SMPS-V2C	1	SA	AC 220V
7.1-9	JC92-01793B	PBA SUB-LIU	1	SA	
7.1-10	JC39-00641A	HARNESS-LIU	1	SA	
7.1-11	6103-000117	SUPPORTER	1	SNA	
7.1-12	6502-000132	CABLE CLAMP	2	SA	
7.1-13	6502-000132	CABLE CLAMP	1	SA	
7.1-14	3103-001085	FAN-DC	1	SA	
7.1-15	JC39-00228A	CBF HARNESS-GND	1	SNA	
7.1-16	JC96-01672A	ELA UNIT-TERMINAL TR L	3	SA	
7.1-16-1	JC70-40912A	ICT-SHAFT HV LARGE	1	SA	
7.1-16-2	JC61-00031A	SPRING ETC--HV LARGE	1	SA	
7.1-18	JC44-00132A	HVPS	1	SA	
7.1-19	JC63-00722A	SHEET-HVPS	1	SA	
7.1-20	JC63-01191A	SHIELD-PBA	1	SNA	
7.1-21	JC92-01855A	PBA-MAIN	1	SA	SCX-4725FN
7.1-23	JC39-00644A	HARNESS-SENSOR_JOINT	1	SA	
7.1-24	JC96-04216A	ELA HOU-COVER	1	SNA	SCX-4725FN
7.1-25	JC97-02239C	MEA UNIT-MP TRAY	1	SA	
7.1-26	JC96-04237N	ELA HOU-SCAN	1	SA	
7.1-26-1	JC67-00087A	CAP-M-HINGE	2	SA	
7.1-27	JC63-01204A	COVER-PAPER	1	SNA	
7.1-28	3903-000042	CBF-POWER CORD	1	SA	AC 220V
7.1-29	JG61-40001A	FOOT-SF4000	1	SA	
7.2-0	JC96-04216A	ELA HOU-COVER	1	SNA	
7.2-1	JC97-02784A	MEA-COVER_FRONT	1	SA	
7.2-2	JC96-04220A	ELA HOU-COVER SIDE L	1	SA	
7.2-2-1	JC63-01176A	COVER-SIDE_L	1	SNA	
7.2-2-2	3001-001494	SPEAKER	1	SA	
7.2-2-3	GB70-10500A	IPR-UNIT FIXING BRAC	1	SA	
7.2-2-4	JC72-01382A	SPONGE-COVER SIDE L	1	SNA	
7.2-3	JC63-01177A	COVER-SIDE_R	1	SA	
7.2-4	JC96-04219A	ELA HOU-COVER REAR	1	SA	
7.2-5	JC97-02785A	MEA-COVER_MIDDLE	1	SA	
7.2-5-1	JC63-01180A	COVER-MIDDLE	1	SNA	
7.2-5-2	JC72-01351C	PMO-STACKER	1	SA	
7.2-5-3	JC63-01250A	SHEET-FAN	1	SNA	
7.3-0	JC97-02784A	MEA-COVER_FRONT	1	SA	
7.3-1	JC63-01179A	COVER-FRONT	1	SNA	
7.3-2	JC63-01188A	TRAY-CASSETTE_LOWER	1	SNA	
7.3-3	JC63-00628D	TRAY-EXTENSION_L	1	SNA	
7.3-4	JC63-01112A	TRAY-M_EXTENSION S	1	SNA	

SVC : SA(Service Available), SNA(Service not Available)

Drawer#	SEC_CODE	DESCRIPTION	QT'Y	SVC	REMARK
7.3-5	JC63-01203A	TRAY-CASSETTE_R	1	SNA	
7.3-6	JC63-01189A	TRAY-CASSETTE_L	1	SNA	
7.4-0	JC96-04219A	ELA HOU-COVER REAR	1	SA	
7.4-1	JC63-01178A	COVER-REAR	1	SNA	
7.4-2	JC63-01192A	COVER-JAM	1	SNA	
7.4-3	JC92-01858A	PBA SUB-SENSOR	1	SA	
7.4-4	JC67-00202A	CAP-JAM	1	SNA	
7.4-5	JC63-01194A	COVER-FUSER_REAR	1	SNA	
7.4-6	JC66-01304A	ACTUATOR-EXIT	1	SNA	
7.4-7	JB61-00107A	SPRING ETC-LEVER SENSOR	1	SA	
7.5-0	JC96-04230A	ELA HOU-FRAME_LOWER	1	SA	
7.5-1	JC61-01703A	FRAME-M_BASE	1	SNA	
7.5-2	JC97-02670A	MEA UNIT-KNOCK_UP	1	SA	
7.5-2-1	JC61-01709A	PLATE-KNOCK_UP	1	SA	
7.5-2-2	JC66-00720A	SHAFT-P-CORE	1	SA	
7.5-2-3	JC74-00011A	MPR-PAD KNOCK UP MP	1	SA	
7.5-3	6107-001163	SPRING-CS	2	SA	
7.5-5	JC66-00808A	GEAR-FEED DR 41	1	SA	
7.5-6	JC70-00527A	ADJUST-CASSETTE_L	1	SA	
7.5-7	JC70-00528A	ADJUST-CASSETTE_R	1	SA	
7.5-8	JG66-40003A	GEAR-PINION	1	SA	
7.5-9	JC61-00836A	FOOT-FRONT	2	SA	
7.5-10	JC61-01258A	SPRING ETC-TORSION DEVE_L	1	SA	
7.5-11	JC61-01259A	SPRING ETC-TORSION DEVE_R	1	SA	
7.5-12	JC31-00027A	FAN-DC_HUMMINGBIRD	1	SA	
7.5-13	JC96-03797A	ELA HOU-CRUM	1	SNA	
7.5-13-1	JC92-01763A	PBA SUB-CRUM_P	1	SA	
7.5-14	JC63-00622A	GROUND-P-OPC	1	SA	
7.5-15	JC66-01257A	ACTUATOR-EMPTY	1	SA	
7.5-16	JB61-00076A	SPRING ETC-TORSION DOC (CC2-F)	1	SA	
7.5-18	JC66-00813A	GEAR-TRANSFER	1	SA	
7.5-19	JC66-01218A	ROLLER-TRANSFER	1	SA	
7.5-20	JC39-00480A	CBF HARNESS-MAINMOTOR	1	SA	
7.5-20	JC72-41142A	PMO-BUSHING TR	1	SNA	
7.5-21	JC61-00047A	SPRING ETC-TR L HAWK	1	SA	
7.5-22	JC72-41145D	PMO-TRANSFER HOLDER L	1	SNA	
7.6-0	JC96-04232A	ELA HOU-ADF	1	SA	
7.6-1	JC96-04233A	ELA HOU-ADF LOWER	1	SA	
7.6-1-1	JC63-00656C	COVER-ADF LOWER	1	SNA	
7.6-1-2	JC96-03379A	ELA HOU-ADF MOTOR	1	SA	
7.6-1-2-1	JC66-00458A	GEAR-IDLE 35 ADF	3	SA	
7.6-1-2-2	JC66-00322A	GEAR-CLUTCH 39	1	SA	
7.6-1-2-3	JC66-00457A	GEAR-SWING 31/20 ADF	1	SA	
7.6-1-2-4	JC66-00455A	GEAR-58/25 ADF	1	SA	
7.6-1-2-5	JC66-00456A	GEAR-40/21 ADF	2	SA	
7.6-1-2-6	JC61-01180A	BRACKET-P-MOTOR	1	SA	
7.6-1-2-7	JC31-00036A	MOTOR STEP-ADF	1	SA	
7.6-1-2-8	JC66-00556A	IMPELLER-ADF	1	SA	
7.6-1-2-9	JC61-01178A	BRACKET-M-GEAR	1	SA	
7.6-1-3	JC92-01845A	PBA SUB-ADF	1	SA	
7.6-1-4	JC63-00667A	GROUND-P-ADF	1	SA	
7.6-1-5	JC39-00407A	CBF HARNESS-ADF	1	SA	
7.6-1-6	JC66-00560A	ROLLER-DRIVE	1	SA	
7.6-1-7	JB72-00819A	PMO-BUSH	4	SA	

SVC : SA(Service Available), SNA(Service not Available)

Drawer#	SEC_CODE	DESCRIPTION	QT'Y	SVC	REMARK
7.6-1-8	JC66-00460A	SHAFT-M-FEED GEAR 38	1	SA	
7.6-1-9	6044-000159	RING-C	1	SA	
7.6-1-10	JC72-01011A	PMO-ACTUATOR SCAN SENSOR	1	SA	
7.6-1-11	6107-001163	SPRING-CS	3	SA	
7.6-1-12	JC75-00095A	MEC-BRUSH ANTISTATIC	1	SA	
7.6-1-13	JB61-00076A	SPRING ETC-TORSION DOC (CC2-F)	3	SA	
7.6-1-14	JC61-01179A	PLATE-M WHITE BAR	1	SA	
7.6-1-15	JC72-01009A	PMO-ACTUATOR DOC SENSOR	1	SA	
7.6-1-16	JB66-00101A	GEAR-CLUTCH 29	1	SA	
7.6-1-17	JC72-01010A	PMO-ACTUATOR REGI SENSOR	1	SA	
7.6-1-18	JC66-00559A	ROLLER-EXIT	1	SA	
7.6-2	JC97-02804A	MEA UNIT-ADF UPPER	1	SA	
7.6-2-1	JC63-00657C	COVER-ADF UPPER	1	SNA	
7.6-2-2	JC97-01709A	MEA UNIT-HOLDER ADF	1	SA	
7.6-2-2-1	JC61-00694A	HOLDER-M-ADF	1	SA	
7.6-2-2-2	JC63-00243A	SHEET-ADF HOLDER	1	SA	
7.6-2-2-3	JB73-00052A	RMO-ADF RUBBER	1	SA	
7.6-2-2-4	JC61-00387A	SPRING ETC-PAD	1	SA	
7.6-2-3	JC61-00712A	GUIDE-STACKER SUB	2	SA	
7.6-2-4	JC66-00594A	SHAFT-STACKER	2	SA	
7.6-3	JC97-02801A	MEA UNIT-COVER OPEN	1	SA	
7.6-3-1	JC63-00658C	COVER-ADF OPEN	1	SNA	
7.6-3-2	JC97-02203A	MEA UNIT-PICKUP	1	SA	
7.6-3-3	JB72-00819A	PMO-BUSH	1	SA	
7.6-3-4	JB72-00843A	PMO-GUIDE PAPER	1	SA	
7.7-0	JC97-02802A	MEA UNIT-COVER PLATEN	1	SA	
7.7-1	JC63-00659C	COVER-PLATEN	1	SNA	
7.7-2	JC63-00209A	SHEET-WHITE SPONGE	1	SA	
7.7-3	JB72-01166D	PMO-TX STACKER	1	SA	
7.7-4	JC61-00833C	GUIDE-DOC_R	1	SA	
7.7-5	JC61-00834C	GUIDE-DOC_L	1	SA	
7.7-6	JF70-10616A	IPR-WASHER SPRING CU	2	SA	
7.7-7	JG66-40003A	GEAR-PINION	1	SA	
7.7-8	JC61-00011A	SPRING ETC-FEED	6	SA	
7.7-9	JF70-40521B	ICT-SHAFT PINCH	1	SA	
7.7-10	JG72-40663A	PMO-ROLL PINCH	2	SA	
7.7-11	JC66-00909A	SHAFT-IDLE FEED	2	SA	
7.7-12	JC73-00091A	RPR-ROLLER EXIT IDLE	2	SA	
7.7-13	JC97-02803A	MEA UNIT-TX STACKER	1	SA	
7.8-0	JC96-04235A	ELA HOU-PLATEN	1	SA	
7.8.1	JC96-04236A	ELA HOU-SCAN LOWER	1	SA	
7.8-1-1	JC63-00660B	COVER-SCAN LOWER	1	SA	
7.8-1-2	JC96-02655A	ELA HOU-SCAN MOTOR	1	SA	
7.8-1-2-1	JC61-00698A	BRACKET-M-SCAN MOTOR	1	SA	
7.8-1-2-2	JB31-00011A	MOTOR STEP-SCAN	1	SA	
7.8-1-2-3	JB66-00082A	GEAR-TIMING	1	SA	
7.8-1-2-4	JB72-01136A	PMO-HOLDER BELT	1	SA	
7.8-1-2-5	6044-000125	RING-E	1	SA	
7.8-1-2-6	JB66-00083A	GEAR-IDLE	1	SA	
7.8-1-2-7	JB66-00084A	GEAR-REDUCTION	1	SA	
7.8-1-3	0609-001223	CONTACT IMAGE SENSOR	1	SA	
7.8-1-4	JC39-00408A	CBF SIGNAL-CIS FFC	1	SA	
7.8-1-5	JC66-00838A	SHAFT-CIS	1	SA	
7.8-1-6	JB72-01136A	PMO-HOLDER BELT	1	SA	

SVC : SA(Service Available), SNA(Service not Available)

Drawer#	SEC_CODE	DESCRIPTION	QT'Y	SVC	REMARK
7.8-1-7	JB72-01136A	PMO-HOLDER BELT	1	SA	
7.8-1-8	JB72-00763A	PMO-PULLEY	1	SA	
7.8-1-9	JB61-00109A	SPRING ETC-BELT	1	SA	
7.8-1-11	JB96-01381A	ELA UNIT-CORE	2	SA	
7.8-1-12	4302-001183	BATTERY-NIH(2ND)	1	SA	
7.8-1-13	JC96-02417A	ELA HOU-FULL SENSOR HARNESS	1	SA	
7.8-1-14	6602-001067	BELT-TIMING GEAR	1	SA	
7.8-2	JC97-02805A	MEA UNIT-SCAN UPPER	1	SA	
7.8-2-1	JC63-00661C	COVER-SCAN UPPER	1	SA	
7.8-2-2	JB68-00644A	LABEL(P)-SHADING	1	SA	
7.8-2-3	JB01-00002A	GLASS-PLATEN	1	SA	
7.8-2-4	JB01-00001A	GLASS-ADF	1	SA	
7.9-0	JC96-04234N	ELA HOU-OPE	1	SA	SCX-4725FN
7.9-1	JC63-01213N	COVER-OPE	1	SA	SCX-4725FN
7.9-2	JC73-00202A	RUBBER-TEL	1	SA	
7.9-3	JC73-00203A	RUBBER-SCROLL	1	SA	
7.9-4	JC92-01727A	PBA SUB-WHITNEY_OPE	1	SA	
7.9-5	JC64-00054F	KEY-COPY	1	SA	
7.9-6	JC63-00076A	COVER-WINDOW SF-530	1	SA	
7.9-7	JC64-00053G	KEY-TEL	1	SA	
7.9-8	JC64-00157D	KEY-SCAN TO	1	SA	
7.9-9	JC64-00058A	KEY-M-TONER SAVE	1	SA	
7.9-10	JC64-00187A	KEY-M-STOP	1	SA	
7.9-11	JC64-00114A	KEY-M_START	1	SA	
7.9-12	JC64-00060F	KEY-FAX	1	SA	
7.9-13	JC64-00056G	KEY-SCROLL	1	SA	
7.9-14	JC39-00412A	CBF HARNESS-OPE	1	SA	
7.9-15	JC64-00059E	KEY-RESOLUTION	1	SA	
7.9-16	JC72-00672A	PCT-LCD WINDOW	1	SNA	
7.10-0	JC96-04033A	ELA UNIT-RX DRIVE	1	SA	
7.10-1	JC61-01727A	BRACKET-P_GEAR	1	SNA	
7.10-2	JC60-00023A	SPACER-GEAR	1	SA	
7.10-3	JC66-00804A	GEAR-RDCN 139/83	1	SA	
7.10-4	JC61-01708A	BRACKET-P_MOTOR	1	SNA	
7.10-5	JC31-00068A	MOTOR STEP	1	SA	
7.10-6	JC66-00805A	GEAR-RDCN 113/83	1	SA	
7.10-7	6044-000159	RING-C	1	SA	
7.10-8	JC66-00806A	GEAR-OPC DR 76/38/29	1	SA	
7.10-9	6031-000023	WASHER-PLAIN	1	SA	
7.10-10	JC66-01244A	GEAR-FUSER DRIVER	1	SA	
7.10-11	JC72-00825A	PMO-IMPELLER_DRV	1	SA	
7.11-0	JC97-02239C	MEA UNIT-MP TRAY	1	SA	
7.11-1	JC61-01263C	PLATE-MP	1	SA	
7.11-2	JC70-00514C	ADJUST-MP L	1	SA	
7.11-3	JC70-00515C	ADJUST-MP R	1	SA	
7.11-4	JG66-40003A	GEAR-PINION	1	SA	
7.11-5	JC63-00711A	SHEET-MP	1	SA	
7.12-0	JC96-04231A	ELA HOU-FUSER	1	SA	AC 220V
7.12-1	JC63-01126A	COVER-FUSER	1	SNA	
7.12-2	4712-001032	THERMOSTAT	1	SA	
7.12-3	JC39-00403B	CBF HARNESS-FUSER(220V)	1	SA	AC 220V
7.12-4	JC39-00404A	CBF HARNESS-FUSER JOINT	1	SA	
7.12-5	1404-001373	THERMISTOR-NTC ASSY	1	SA	
7.12-6	JC67-00085A	CAP-M-THERMO	1	SNA	

SVC : SA(Service Available), SNA(Service not Available)

Drawer#	SEC_CODE	DESCRIPTION	QT'Y	SVC	REMARK
7.12-7	JC61-01747A	HOLDER-SPRING	3	SA	
7.12-8	6107-001163	SPRING-CS	3	SA	
7.12-9	JC61-01172A	HOLDER-M-EXIT F/DOWN	3	SNA	
7.12-10	JC66-01311A	ROLLER-EXIT_MAIN	3	SNA	
7.12-11	JC66-00934A	ROLLER-M_EXIT FR	3	SNA	
7.12-12	6107-001291	SPRING-ES	4	SNA	
7.12-13	JC61-01721A	GUIDE-CLAW	4	SNA	
7.12-14	JC70-00064A	IPR-PIN ROLLER EXIT	3	SNA	
7.12-15	JC72-20902A	PEX-ROLLER F/UP(2)	3	SA	
7.12-16	JC66-00801A	GEAR-EXIT_DR38/25	1	SNA	
7.12-17	6031-000023	WASHER-PLAIN	1	SA	
7.12-18	6044-000001	RING-CS	1	SNA	
7.12-19	4713-001212	LAMP-HALOGEN	1	SA	AC 220V
7.12-20	JC66-01256A	ROLLER-HEAT	1	SA	
7.12-21	JC61-00887A	BUSH-M-HR R_R2	1	SA	
7.12-22	JC61-00888A	BUSH-M-HR L_R2	1	SA	
7.12-23	JC66-01254A	GEAR-FUSER	1	SA	
7.12-24	JC66-00600A	ROLLER-PRESSURE	1	SA	
7.12-25	JC66-10901B	BUSH-PRESSURE_ROLLER	2	SNA	
7.12-26	JC61-00056A	SPRING ETC-PR(7300)	2	SA	
7.12-27	JC61-01770A	FRAME-FUSER	1	SNA	
7.12-28	JC61-00595A	GUIDE-M-INPUT	1	SNA	
7.12-29	JC63-01129A	COVER-LAMP_R	1	SNA	
7.12-30	JC63-01130A	COVER-LAMP_L	1	SNA	
7.12-31	JC63-01245A	SHEET-FUSER	1	SNA	
7.12-32	JC66-01255A	ROLLER-EXIT F/DOWN	1	SA	
7.12-33	JC61-01719A	HOLDER-EXIT R	2	SA	
7.12-34	JC66-00810A	GEAR-EXIT_DRV17	1	SA	
7.12-35	JC63-01193A	COVER-FUSER_FRONT	1	SNA	
7.12-36	JC72-01001A	PMO-SUB STACKER	2	SA	
7.12-37	JC63-01195A	COVER-FUSER_SAFETY	1	SNA	
7.12-38	JC66-01303A	ACTUATOR-JAM	1	SNA	
7.12-39	JC61-00049A	SPRING ETC-TR(KOR)	1	SNA	
7.12-40	JC60-00024A	SPACER-FUSER	2	SA	
7.13-0	JC97-02664A	MEA UNIT-PAPER PATH	1	SA	
7.13-1	JC61-01710A	GUIDE-PAPER PATH	1	SA	
7.13-2	JC66-01250A	ACTUATOR-FEED SENSOR	1	SA	
7.13-3	JB61-00107A	SPRING ETC-LEVER SENSOR	1	SA	
7.13-4	JC70-10232A	IPR-PLATE SAW	1	SA	
7.13-5	JC39-00482A	CBF HARNESS-MICRO SW	1	SA	
7.13-6	JC63-01125A	GROUND-P_SAW	1	SNA	
7.13-7	JC63-00623A	GROUND-P-THV	1	SNA	
7.13-8	JC63-00625A	GROUND-P-VARISTOR	1	SNA	
7.13-9	JC97-02669A	MEA UNIT-HOLDER_PAD	1	SA	
7.13-9-1	JC61-01711A	HOLDER-PAD	1	SA	
7.13-9-2	JC69-00987A	PAD-FRICTION	1	SA	
7.13-9-3	JC63-00290A	SHEET-HOLDER PAD	1	SA	
7.13-9-4	JC61-70911A	SPRING ETC-EXIT ROLL FD	1	SA	
7.13-10	JC66-01247A	GEAR-FEED	1	SA	
7.13-11	JC97-02665A	MEA UNIT-PICK UP GEAR	1	SA	
7.13-11-1	JC66-01245A	GEAR-PICK UP A	1	SA	
7.13-11-2	JC66-01246A	GEAR-PICK UP B	1	SA	
7.13-11-3	6107-001163	SPRING-CS	1	SA	
7.13-12	JC33-00015B	SOLENOID-MP_R2	1	SA	

SVC : SA(Service Available), SNA(Service not Available)

Drawer#	SEC_CODE	DESCRIPTION	QT'Y	SVC	REMARK
7.13-13	JC72-00382B	PMO-BUSHING FEED	1	SA	
7.13-14	JC66-01251A	ROLLER-FEED	1	SA	
7.13-15	JC72-00102A	PMO-BUSHING_TR(L)	1	SA	
7.13-16	JC61-70940A	SPRING ETC-TR(12)	1	SA	
7.13-18	JC66-01252A	SHAFT-FEED	1	SA	
7.13-19	JC70-00307A	IPR-P-EARTH TRANSFER	1	SA	
7.13-24	JC61-01715A	PLATE-P_IDLE HOLDER	1	SA	
7.13-25-1	JC61-01718A	HOLDER-IDLE ROLLER	2	SA	
7.13-25-2	JC66-00529A	ROLLER-M-IDLE FEED	2	SA	
7.13-25-3	6107-001291	SPRING-ES	2	SNA	
7.14-0	JB75-00300A	MEC-PICK UP ROLLER ASSY	1	SA	
7.14-1	JC66-00829A	SHAFT-P-PICK_UP	1	SA	
7.14-2	JC61-01281A	BRACKET-P-BAR_PICK_UP	1	SNA	
7.14-3	JC61-01717A	HOUSING-PICK UP B	1	SA	
7.14-4	JC61-01716A	HOUSING-PICK UP A	1	SA	
7.14-5	JC73-00239A	RUBBER-PICK_UP	1	SA	
7.14-6	JC66-01253A	ROLLER-PICK_UP IDLE	2	SA	
7.14-7	JC61-01713A	STOPPER-PICK_UP R	1	SA	
7.14-8	JC61-01714A	STOPPER-PICK_UP L	1	SA	
7.14-9	JC66-01258A	CAM-PICK_UP	2	SA	
Replacement	JC69-01026B	BOX-MAIN	1	SA	
Replacement	JC69-01026B	BOX-MAIN	1	SA	
Replacement	JF39-50094B	CBF LINE CORD	1	SA	