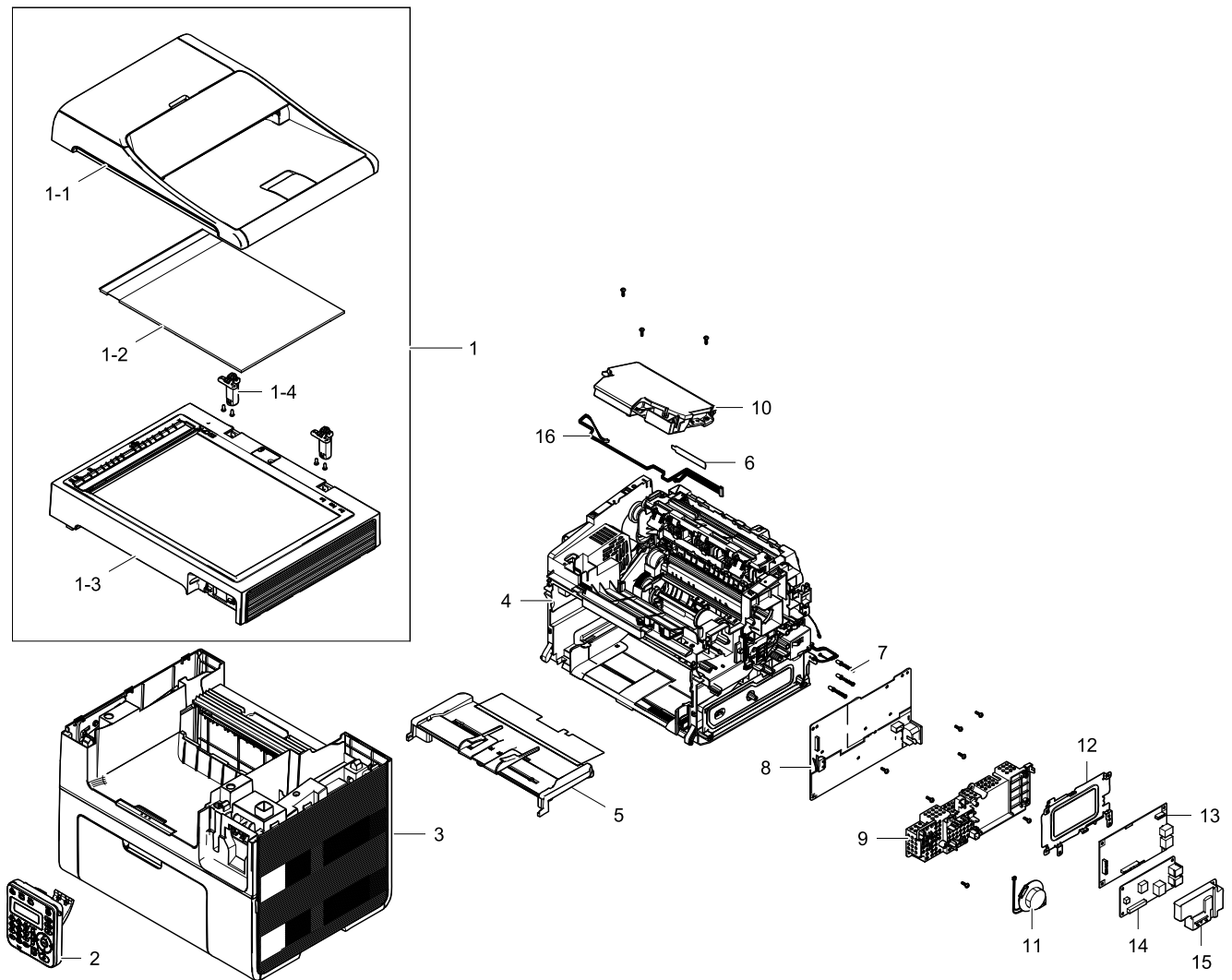


1. MAIN

Exploded View



Parts List

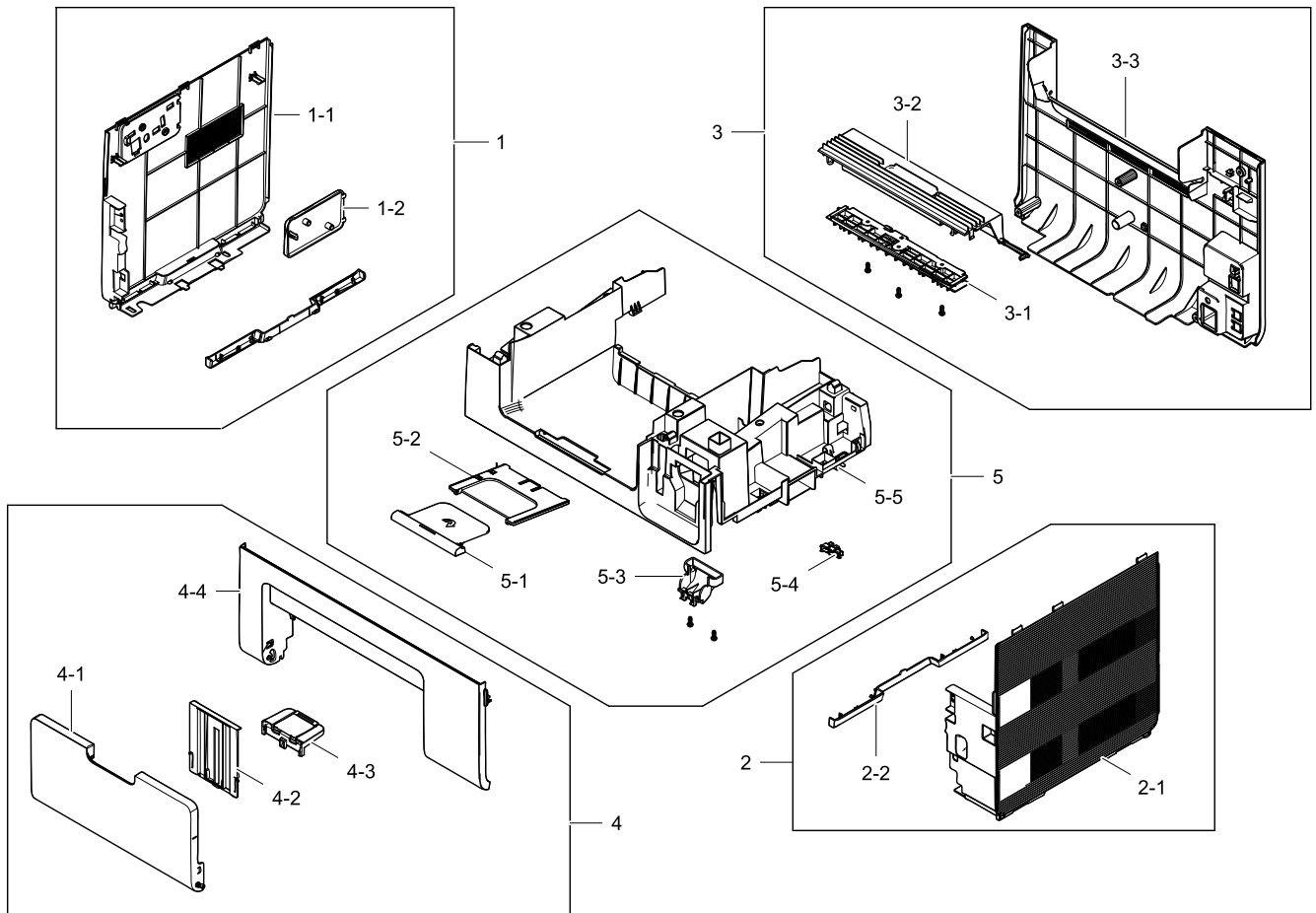
No.	Parent	Lvl.	Loc.	Material Code	Description & Specification	SNA	Qty.
1	SCX-4655FN/SEE	1		JC97-03967B	SCANNER; SCX-4655F,SEC	SNA	1
1-1	JC97-03967B	2		JC97-03959A	ADF; SCX-4729FD,SEC,SSDP,HIP HR-1360T,2.4	SA	1
1-2	JC97-03967B	2	L8658	JC63-02569A	SHEET-WHITE; FIT,PP,3.6,216,250.2,White,9	SA	1
1-3	JC97-03967B	2		JC97-03964D	PLATEN; SCX-4655F,SEC	SA	1
1-4	JC97-03967B	2	D9329	JC97-03191A	MEA UNIT-HINGE L; CLX-3170,SEC	SA	2
2	SCX-4655FN/SEE	1		JC97-03970R	OPE; SCX-4655FN,SEC,English	SA	1
3	SCX-4655FN/SEE	1		JC95-01790E	COVER; SCX-4655FN,SEC,CREAM WHITE	SNA	1
4	SCX-4655FN/SEE	1		JC93-00778B	FRAME-LOWER; SCX-4650,SEC,SEE	SNA	1
5	JC98-02159D	2		JC97-02239J	MP-TRAY; SCX-4655F,SEC	SA	1

Exploded Views and Parts List

No.	Parent	Lvl.	Loc.	Material Code	Description & Specification	SNA	Qty.
6	JC98-02159D	2	B3059	JC63-00076A	COVER-WINDOW SF-530; SF-530,PVC FILM,T0.	SNA	1
7	JC98-02159D	2		JC93-00776A	FRAME-TERMINAL; SCX-4650,SEC	SNA	3
8	SCX-4655FN/SEE	1		JC44-00225A	SMPS/HVPS-V2; SCX-4650,WHITNEY3 V2,FLYBAC	SA	1
9	JC98-02159D	2		JC63-03906A	COVER-SMPS; SCX-4650,ABS,2,62.3,231.2,SEC	SNA	1
10	JC98-02159D	2	O1116	JC96-04065A	ELA UNIT-LSU; ML-2570,-,-,25PPM,600DPI,SI	SA	1
11	JC98-02159D	2	L6859	3001-002262	SPEAKER; 0.3W,8ohm,81dB,400Hz,50x16.4mm	SC	1
12	JC98-02159D	2		JC63-03909A	SHIELD-MAIN; SCX-4650,EGI-SECC,0.8,83.25,	SNA	1
13	SCX-4655FN/SEE	1		JC92-02572A	PBA-MAIN; SCX-4650FN,SEC,MAIN, Network SM	SA	1
14	SCX-4655FN/SEE	1		JC92-01746F	PBA-LIU; SCX-4650FN,CX86710,LIU DAA,5V/3.	SA	1
15	JC98-02159D	2		JC63-03143A	COVER-FAX BOARD; SCX-4729FD,ABS,1.6T,86.6	SNA	1
16	JC98-02159D	2		JC39-01882A	HARNESS-LSU; SCX-4650,UL10272,14P/5P/8P,5	SNA	1

2. COVER

Exploded View



Parts List

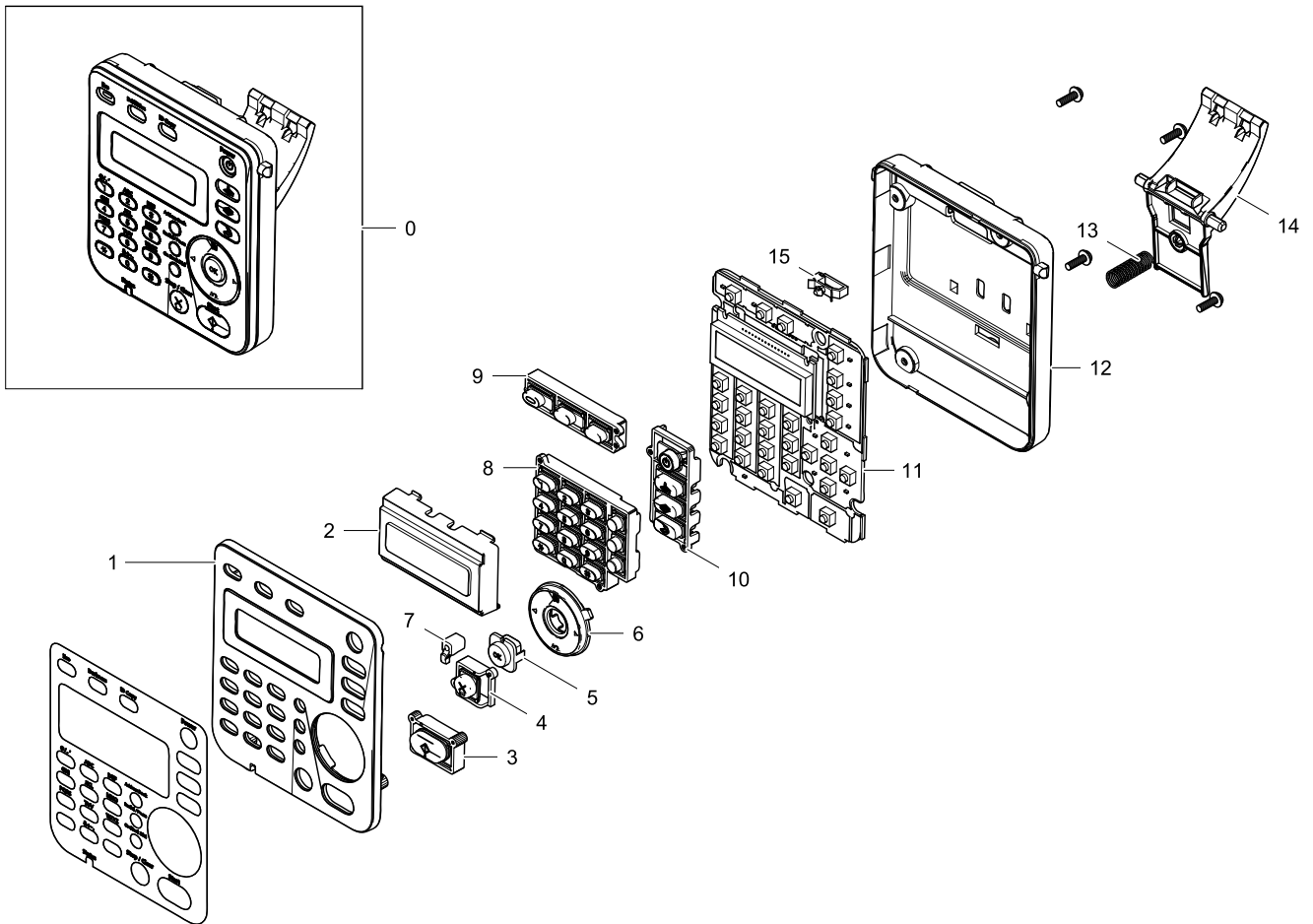
No.	Parent	Lvl.	Loc.	Material Code	Description & Specification	SNA	Qty.
1	JC95-01790E	2		JC95-01791A	COVER-LEFT; SCX-4655F,SEC,CREAM WHITE	SA	1
1-1	JC95-01791A	3		JC63-03898A	COVER-LEFT; SCX-4655F,HIPS,2,235.7,276.3,	SNA	1
1-2	JC95-01791A	3		JC63-03900A	COVER-DUMMY_LEFT; SCX-4655F,HIPS,2,94.9,5	SNA	1
2	JC95-01790E	2		JC95-01792A	COVER-RIGHT; SCX-4655F,SEC,CREAM WHITE	SA	1
2-1	JC95-01792A	3		JC63-03901A	COVER-RIGHT; SCX-4655F,HIPS,2,234.8,277.2	SNA	1
2-2	JC95-01792A	3		JC63-03897A	COVER-SIDE_DECO; SCX-4655F,HIPS,2,11.1,23	SNA	1
3	JC95-01790E	2		JC95-01793D	COVER-REAR; SCX-4655FN,SEC,CREAM WHITE	SA	1
3-1	JC95-01793D	3		JC63-01194A	COVER-FUSER_REAR; SCX-4725FN/XAA,PET+GF,2	SA	1

Exploded Views and Parts List

No.	Parent	Lvl.	Loc.	Material Code	Description & Specification	SNA	Qty.
3-2	JC95-01793D	3		JC63-03903A	COVER-JAM; SCX-4655F,ABS+PC,2,192.2,240.7	SNA	1
3-3	JC95-01793D	3		JC63-03902D	COVER-REAR; SCX-4655FN,HIPS,2,234.8,408.4	SNA	1
4	JC95-01790E	2		JC95-01794A	COVER-FRONT; SCX-4655F,SEC,CREAM WHITE	SA	1
4-1	JC95-01794A	3		JC63-03905A	COVER-CASSETTE; SCX-4655F,HIPS,2,114,277.	SNA	1
4-2	JC95-01794A	3		JC63-03927A	TRAY-EXTENSION L; SCX-4650,HIPS,2.0,80,10	SNA	1
4-3	JC95-01794A	3		JC63-01112C	TRAY-EXTENSION S; SCX-4650,HIPS,2.5,38.5,	SNA	1
4-4	JC95-01794A	3		JC63-03904A	COVER-FRONT; SCX-4655F,HIPS,2.5,158.1,407	SNA	1
5	JC95-01790E	2		JC95-01795A	COVER-MIDDLE; SCX-4655F,SEC,CREAM WHITE	SA	1
5-1	JC95-01795A	3		JC61-04421A	STACKER-RX SMALL; SCX-4729FD,HIPS,1.8T,79	SA	1
5-2	JC95-01795A	3		JC61-04420A	STACKER-RX LARGE; SCX-4729FD,HIPS,2.0T,80	SA	1
5-3	JC95-01795A	3		JC61-04426A	GUIDE-OPE; SCX-4729FD,HIPS,2.0T,52.46,37,	SA	1
5-4	JC95-01795A	3	L9633	0604-001415	PHOTO-INTERRUPTER; TR,DIP-4,BK	SA	1
5-5	JC95-01795A	3		JC63-03896A	COVER-MIDDLE; SCX-4655F,HIPS,2.5,287.9,40	SNA	1

3. OPE

Exploded View



Parts List

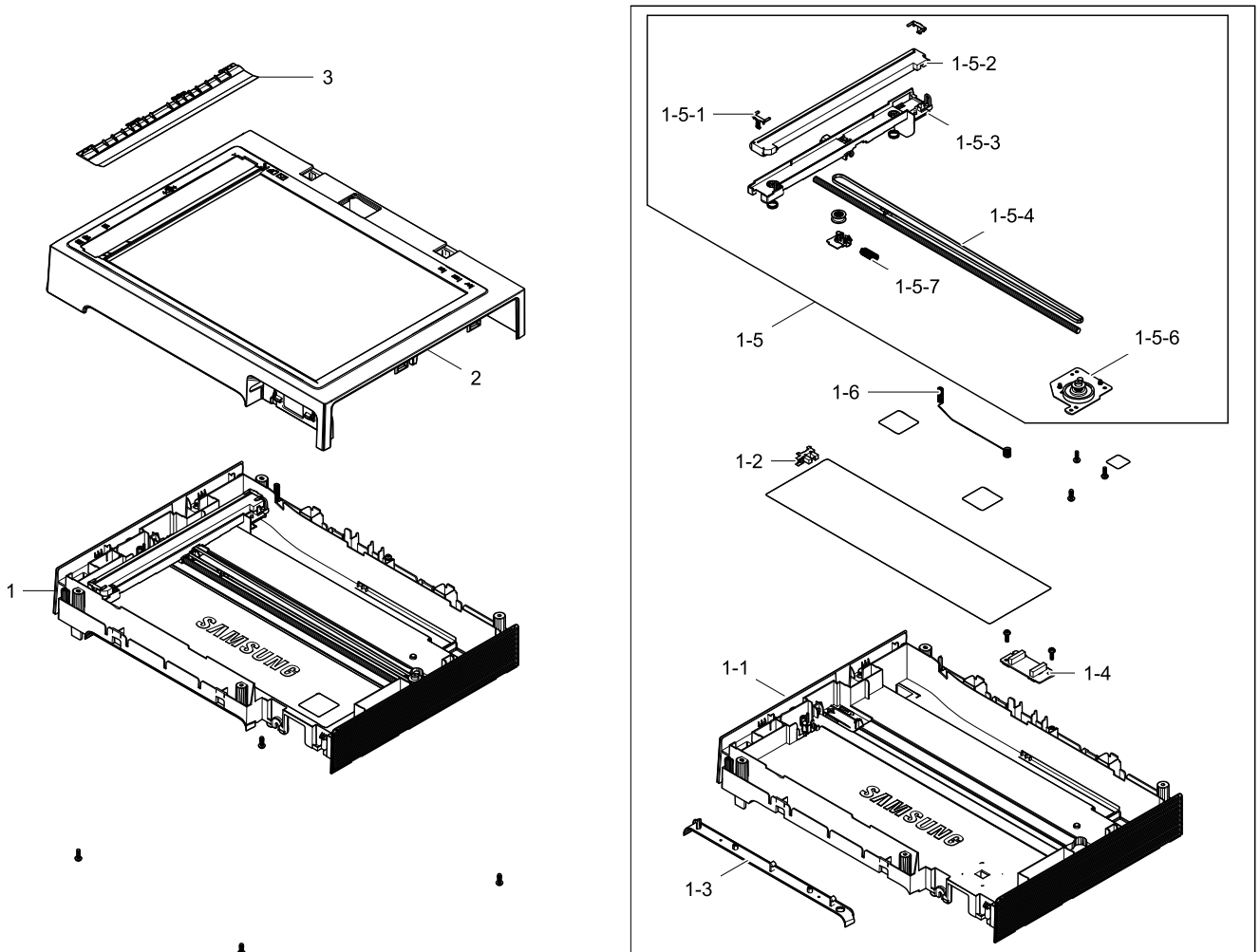
No.	Parent	Lvl.	Loc.	Material Code	Description & Specification	SNA	Qty.
0	SCX-4655FN/SEE	1		JC97-03970R	OPE; SCX-4655FN,SEC,English	SA	1
1	JC97-03970R	2		JC63-03145Q	COVER-OPE TOP; SCX-4655FN,HIPS,2.0T,99.33	SNA	1
2	JC97-03970R	2		JC63-03147A	COVER-LCD; SCX-4729FD,PC,2.0T,63,CLEAR	SNA	1
3	JC97-03970R	2		JC64-00664A	KEY-START; SCX-4729FD,ABS,26.5*17.39,PALE	SNA	1
4	JC97-03970R	2		JC64-00667A	KEY-STOP; SCX-4729FD,ABS,17.2*17.4,CREAM	SNA	1
5	JC97-03970R	2		JC64-00666A	KEY-OK; SCX-4729FD,ABS,15*15,CREAM WHITE	SNA	1
6	JC97-03970R	2		JC64-00665A	KEY-MENU; SCX-4729FD,ABS,34.1,CREAM WHITE	SNA	1
7	JC97-03970R	2		JC67-00540A	LENS-STATUS; SCX-4729FD,PC LH 3022U,MILKY	SNA	1

Exploded Views and Parts List

No.	Parent	Lvl.	Loc.	Material Code	Description & Specification	SNA	Qty.
8	JC97-03970R	2		JC64-00662A	KEY-TEL; SCX-4729FD,ABS,56.8*46.9,CREAM W	SNA	1
9	JC97-03970R	2		JC64-00676A	KEY-ECO; SCX-4729FD,ABS,54.88*14.2,CREAM	SNA	1
10	JC97-03970R	2		JC64-00663A	KEY-POWER; SCX-4729FD,ABS,51.6*22.9,CREAM	SNA	1
11	JC97-03970R	2		JC92-02404A	PBA-OPE; SCX-4729FD,5V,OPE,92.4X103mm,CEM	SA	1
12	JC97-03970R	2		JC63-03146A	COVER-OPE BOTTOM; SCX-4729FD,HIPS,2.0T,99	SA	1
13	JC97-03970R	2		6107-001195	SPRING-CS; SUS304-WPB,PI0.7,D7,L22.2,ID6.	SNA	1
14	JC97-03970R	2		JC66-03038A	LEVER-OPE; SCX-4729FD,HIPS,2.5T,30,FG-179	SA	1
15	JC97-03970R	2	L9053	6502-001130	CABLE CLAMP; DACS-3N,16.67 * 4,Nylon66,BL	SA	1

4. PLATEN

Exploded View



Parts List

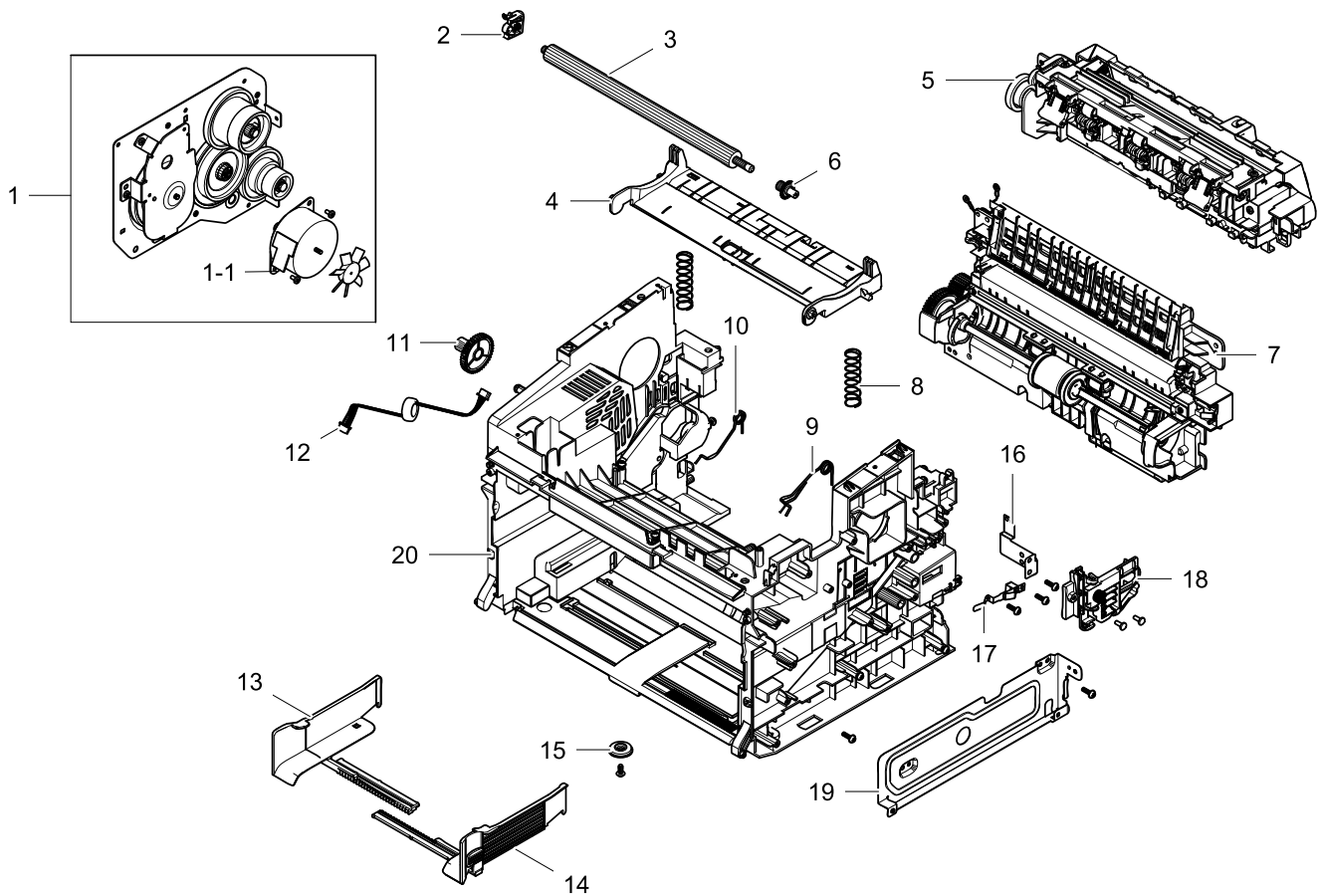
No.	Parent	Lvl.	Loc.	Material Code	Description & Specification	SNA	Qty.
1	JC97-03964D	3		JC97-03966F	PLATEN-LOWER; SCX-4655F,SEC	SA	1
1-1	JC97-03966F	4		JC63-03148A	COVER-SCAN LOWER; SCX-4729FD,HIPS,2.0T,40	SNA	1
1-2	JC97-03966F	4	L9633	0604-001415	PHOTO-INTERRUPTER; TR,DIP-4,BK	SA	1
1-3	JC97-03966F	4		JC63-03157A	COVER-DUMMY EXIT; SCX-4729FD,HIPS,2.0T,23	SNA	1
1-4	JC97-03966F	4		JC92-02426A	PBA-ADF; SCX-4729FD,SEC,ADF,60x25mm,FR-1,	SA	1
1-5	JC97-03966F	4		JC97-03968A	SCANNER-PLATEN FL; SCX-4729FD,SEE	SNA	1
1-5-1	JC97-03968A	5	G0802	JC66-01580A	SLIDER-CIS; CLX-2160,RTP 899X93924,0.7,11	SA	2
1-5-2	JC97-03968A	5		0609-001409	CONTACT IMAGE SENSOR; 217mm,10368dot,1.5m	SA	1

Exploded Views and Parts List

No.	Parent	Lvl.	Loc.	Material Code	Description & Specification	SNA	Qty.
1-5-3	JC97-03968A	5		JC61-04146A	BRACKET-CIS; SCX-4833FD,ABS+PC,2.5,239.1,	SNA	1
1-5-4	JC97-03968A	5	A4232	6602-001637	BELT-TIMING GEAR; POLY URETHANE,T0.98,L73	SA	1
1-5-6	JC97-03968A	5		JC93-00419A	DRIVE PLATEN; SCX-4729FD,SEC,SCAN MOTOR A	SA	1
1-5-7	JC97-03968A	5	G1544	6107-001194	SPRING-CS; SWP-B,BLK,PI0.9,D6.95,L20,ID6.	SA	1
1-6	JC97-03966F	4		6107-002995	SPRING-ETC; SUS304,0.5,104.3,6.5,5,RIGHT	SNA	1
2	JC97-03964D	3		JC97-03965D	PLATEN-UPPER; SCX-4655F,SEC	SA	1
3	JC97-03964D	3		JC97-04066A	PLATEN-SHEET; SCX-4729FD,SEE	SNA	1

5. FRAME-LOWER

Exploded View



Parts List

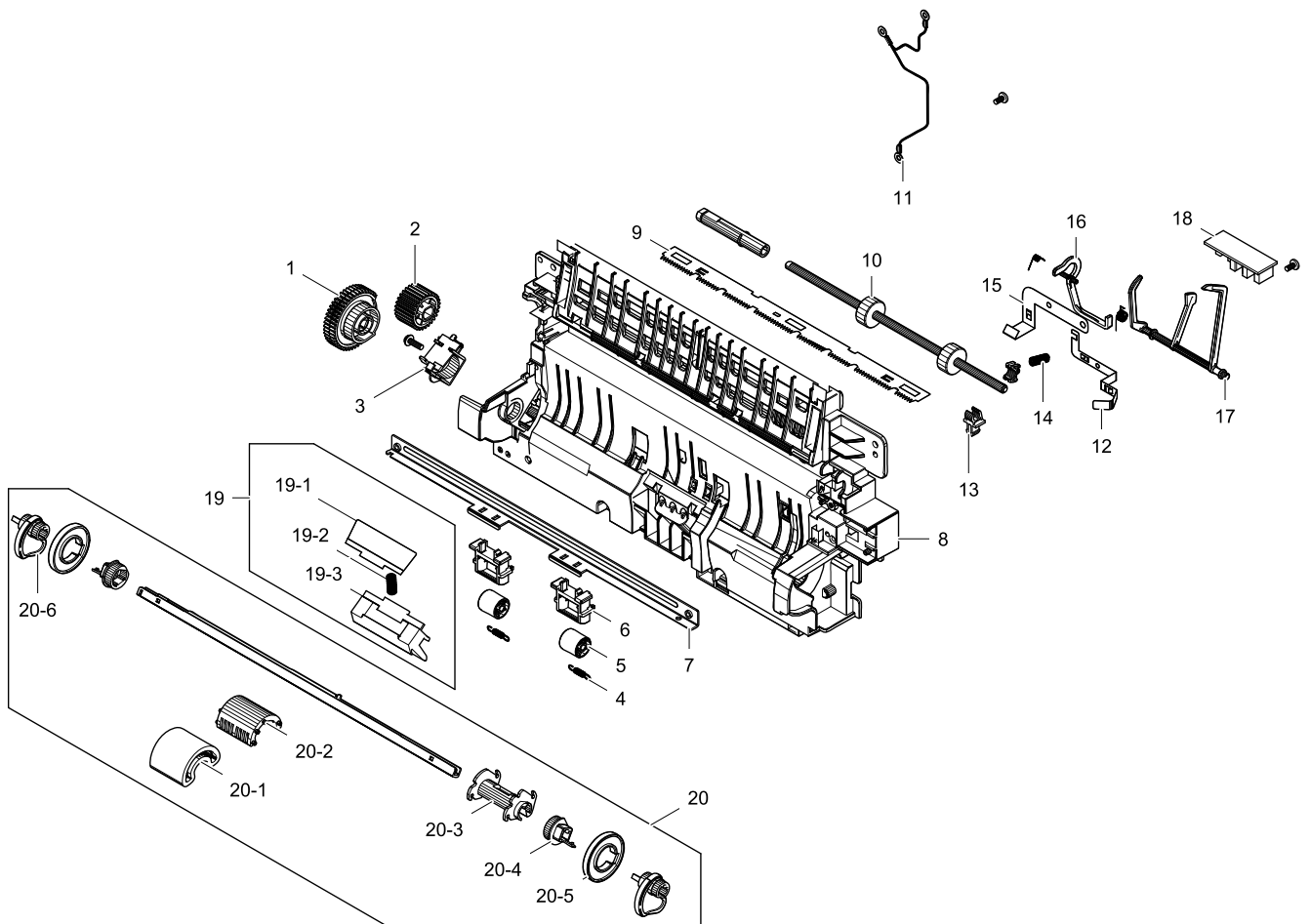
No.	Parent	Lvl.	Loc.	Material Code	Description & Specification	SNA	Qty.
1	JC93-00778B	2	O1114	JC96-04033A	ELA UNIT-RX DRIVE; ML-2571N,SAMSUNG,-,ORI	SA	1
1-1	JC96-04033A	3	O1016	JC31-00068A	MOTOR STEP; M55SP-3NK,ML-2571N,1.3A,1037P	SA	1
2	JC93-00778B	2	O1112	JC96-01730A	ELA UNIT-HOLDER TR L; ML-6060A,SAMSUNG,-,	SA	1
3	JC93-00778B	2	F9016	JC66-01218A	ROLLER-TRANSFER; SCX-4200,NBR(ECO),6,218,	SA	1
4	JC93-00778B	2	O1123	JC97-02670A	MEA UNIT-KNOCK_UP; ML-2571N,SAMSUNG,-,-,-	SA	1
5	JC91-01140B	3		JC91-01139B	FUSER; SCX-4650,SEC,220V	SNA	1
6	JC93-00778B	2	O1074	JC66-00813A	GEAR-TRANSFER; ML-1610,POM M90-44,0.6,24,	SA	1
7	JC93-00778B	2		JC93-00779A	FRAME-PATH; SCX-4650,SEC	SNA	1
8	JC93-00778B	2	Z6162	6107-001297	SPRING-CS; SWP,PI0.6,D12.6,L50,ID12,OD13.	SA	2

Exploded Views and Parts List

No.	Parent	Lvl.	Loc.	Material Code	Description & Specification	SNA	Qty.
9	JC93-00778B	2	O1039	JC61-01259A	SPRING ETC-TORSION DEVE_R; ML-1610,SUS304	SA	1
10	JC93-00778B	2	O1038	JC61-01258A	SPRING ETC-TORSION DEVE_L; ML-1610,SUS304	SA	1
11	JC93-00778B	2	O1072	JC66-00808A	GEAR-FEED DR 41; ML-1610,POM M90-44,0.8,4	SA	1
12	JC93-00778B	2		JC39-01881A	HARNESS-MOTOR; SCX-4650,UL10272,4P,500mm,	SA	1
13	JC93-00778B	2		JC70-00527C	ADJUST-CASSETTE_L; SCX-4650,ABS,2.5,120.5	SNA	1
14	JC93-00778B	2		JC70-00528C	ADJUST-CASSETTE_R; SCX-4650,ABS,2.5,120.5	SNA	1
15	JC93-00778B	2	C3690	JG66-40003A	GEAR-PINION; SF4000,POM,1,Z16,WHT	SA	1
16	JC93-00778B	2		JC63-03908A	GROUND-REAR-R; SCX-4650,SUS,0.2,38.25,14.	SNA	1
17	JC93-00778B	2	O1056	JC63-00622A	GROUND-P-OPC; ML-1610,SUS,0.2,42.7,20,GRO	SA	1
18	JC93-00778B	2		JC93-00777A	FRAME-HINGE CRUM; SCX-4650,SEC	SNA	1
19	JC93-00778B	2		JC63-03910A	SHIELD-SMPS; SCX-4650,EGI-SECC,0.8,55,211	SNA	1
20	JC93-00778B	2		JC61-05761A	FRAME-BASE; SCX-4650,ABS+PC,NH-1000T,BLAC	SNA	1

5.1. FRAME-PATH

Exploded View



Parts List

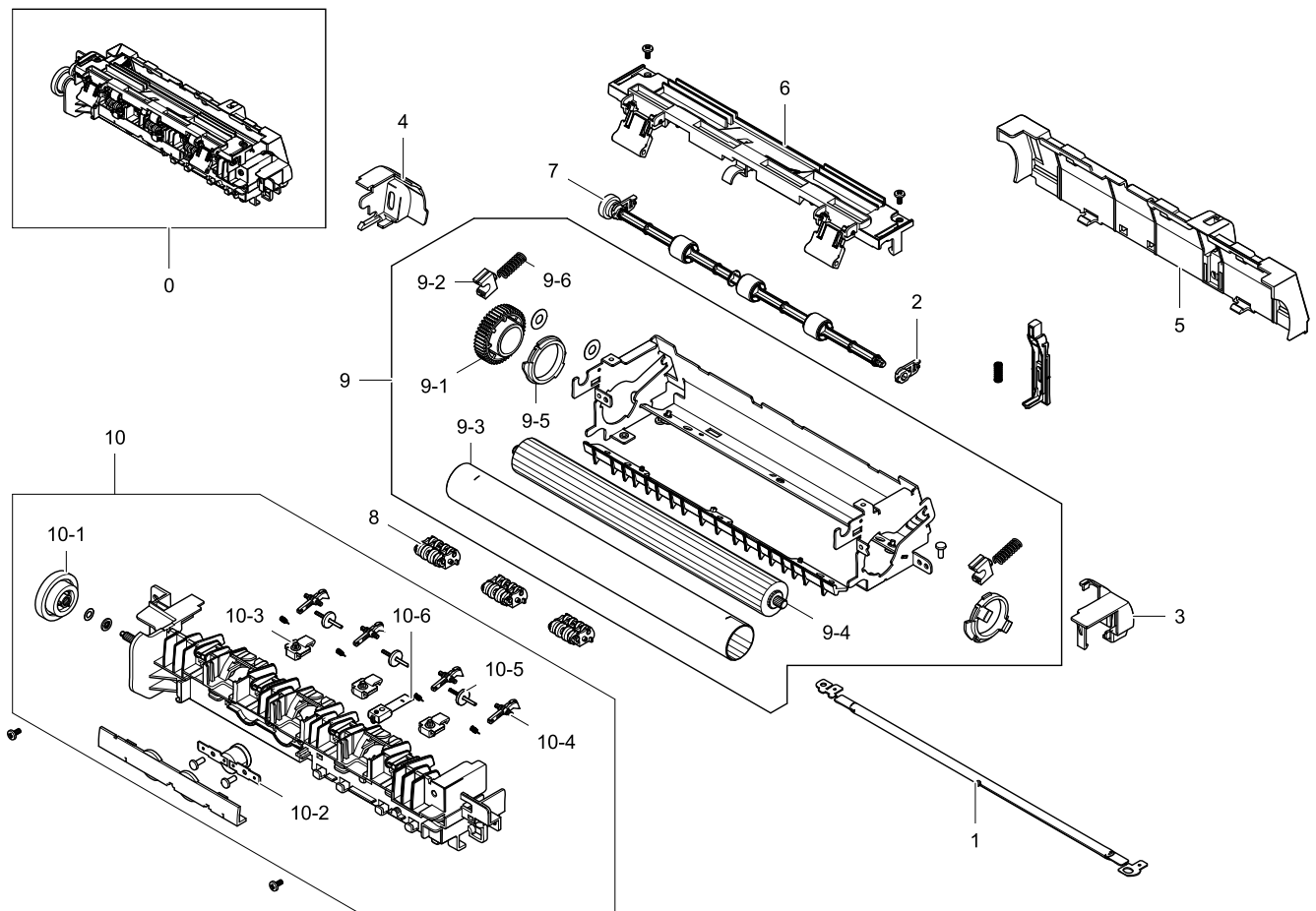
No.	Parent	Lvl.	Loc.	Material Code	Description & Specification	SNA	Qty.
1	JC93-00779A	3	O1121	JC97-02665A	MEA UNIT-PICK UP GEAR; ML-2571N,SAMSUNG,-	SA	1
2	JC93-00779A	3	O1081	JC66-01247A	GEAR-FEED; ML-2571N,POM,0.8,28,WHITE,24,M	SA	1
3	JC93-00779A	3	L9388	JC33-00028C	SOLENOID-MP; ML-1660,DC-24V,120ohm,525mm,	SA	1
4	JC93-00779A	3	Z6253	6107-001296	SPRING-ES; SUS304-WPB,PI0.45,D2.75,L17.2,	SA	2
5	JC93-00779A	3	F8922	JC66-00529A	ROLLER-M-IDLE FEED; ML-1510,POM,13.5,13,E	SA	2
6	JC93-00779A	3	O1049	JC61-01718A	HOLDER-IDLE ROLLER; ML-2571N,POM,26,12.7,	SA	2
7	JC93-00779A	3	O1046	JC61-01715A	PLATE-P_IDLE HOLDER; ML-2571N,EGI-SECC,T1	SA	1
8	JC93-00779A	3		JC61-05762A	GUIDE-PAPER_PATH; SCX-4650,ABS,2,149.9,29	SNA	1

Exploded Views and Parts List

No.	Parent	Lvl.	Loc.	Material Code	Description & Specification	SNA	Qty.
9	JC93-00779A	3	D1171	JC70-10232A	IPR-PLATE SAW; ML-80,SUS304 CSP 1/2H,T0.1	SNA	1
10	JC93-00779A	3	O1083	JC66-01251A	ROLLER-FEED; ML-2571N,SUM22+NI+EPDM,5/17.	SA	1
11	JC93-00779A	3		JC39-01879A	HARNESS-GND; SCX-4650,UL1007,1P,GRN,AWG18	SNA	1
12	JC93-00779A	3	Z6251	JC63-00623A	GROUND-P-THV; ML-1610,SUS,0.2,56.1,18.7,G	SNA	1
13	JC93-00779A	3	F0119	JC72-00382B	BUSH; ML-1710,POM(DERLIN 8903),WHITE	SNA	1
14	JC93-00779A	3	G1432	JC61-70940A	SPRING ETC-TR(12); ML-5500,0.5,5,13,SUS30	SA	1
15	JC93-00779A	3	Z6250	JC63-01125A	GROUND-P_SAW; ML-2571N,SUS,0.2,54.5,27.9,	SNA	1
16	JC93-00779A	3	L9495	JC66-02590A	ACTUATOR-FEED; ML-1660,PC,BLACK,ACTUATOR-	SA	1
17	JC93-00779A	3		JC66-03854A	ACTUATOR-EMPTY; SCX-4650,PC,2,60.86,78.3,	SA	1
18	JC93-00779A	3	L9546	JC92-02288A	PBA-FEED SENSOR; ML-1660,SEC,FEED SENSOR,	SA	1
19	JC93-00779A	3	O1122	JC97-02669A	MEA UNIT-HOLDER_PAD; ML-2571N,SAMSUNG,-,-	SA	1
19-1	JC97-02669A	4		JC63-00290A	SHEET-HOLDER PAD; ML-1750,PC,0.125,100,18	SA	1
19-2	JC97-02669A	4	G1312	JC61-70911A	SPRING ETC-EXIT ROLL FD; ML-165,SUS304 WP	SA	1
19-3	JC97-02669A	4	O1043	JC61-01711A	HOLDER-PAD; ML-2571N,PC/ABS,2.5,48,20.8,B	SA	1
20	JC93-00779A	3		JC97-03443A	MEA UNIT-PICK_UP; SCX-4725FN/XRX,XEROX,-,	SA	1
20-1	JC97-03443A	4	O1108	JC73-00239A	RUBBER-PICK_UP; ML-2571N,EPDM,OD29,ID23,3	SA	1
20-2	JC97-03443A	4	O1047	JC61-01716A	HOUSING-PICK UP A; ML-2571N,PC+ABS,28,26,	SA	1
20-3	JC97-03443A	4	O1048	JC61-01717A	HOUSING-PICK UP B; ML-2571N,PC+ABS,37.6,B	SA	1
20-4	JC97-03443A	4	O1044	JC61-01713A	STOPPER-PICK_UP R; ML-2571N,POM,D17,20,BL	SA	1
20-5	JC97-03443A	4	F8944	JC66-01253A	ROLLER-PICK_UP IDLE; ML-2571N,POM,31.2,BL	SA	2
20-6	JC97-03443A	4	O1090	JC66-01258A	CAM-PICK_UP; ML-2571N,POM,22.8,21.5,NTR	SA	2

5.2. FUSER

Exploded View



Parts List

No.	Parent	Lvl.	Loc.	Material Code	Description & Specification	SNA	Qty.
0	JC91-01140B	3		JC91-01139B	FUSER; SCX-4650,SEC,220V	SNA	1
1	JC91-01139B	4	J3385	4713-001212	LAMP-HALOGEN; 230V,750W,8x284mm	SA	1
2	JC91-01139B	4		JC61-05766A	HOLDER-SHAFT EXIT; POM,5.1,NATURAL	SNA	1
3	JC91-01139B	4		JC63-01129A	COVER-LAMP_R; ML-2571N,PET+GF30%,2,27.55,	SNA	1
4	JC91-01139B	4		JC63-01130A	COVER-LAMP_L; ML-2571N,PET+GF30%,2,40.28,	SNA	1
5	JC91-01139B	4		JC63-01195A	COVER-FUSER_SAFETY; SCX-4725FN/XAA,PET+GF	SNA	1
6	JC91-01139B	4		JC91-01135A	FUSER-FRONT; SCX-4650,WORLD	SNA	1
7	JC91-01139B	4		JC91-01134A	FUSER-EXIT; SCX-4650,WORLD	SNA	1
8	JC91-01139B	4		JC91-01133A	FUSER-EXIT_DECURL; SCX-4650,WORLD	SNA	1
9	JC91-01139B	4		JC91-01136A	FUSER-LOWER; SCX-4650,WORLD	SNA	1

Exploded Views and Parts List

No.	Parent	Lvl.	Loc.	Material Code	Description & Specification	SNA	Qty.
9-1	JC91-01136A	5	I5468	JC66-01254A	GEAR-FUSER; ML-2571N,PPS,0.8,45,37.6*13.5	SA	1
9-2	JC91-01136A	5	A7669	JC66-10901A	BUSH-PRESSURE R; ML-165,PPS(RBA313N),14,7	SA	2
9-3	JC91-01136A	5	L4436	JC66-01256A	ROLLER-HEAT; ML-2571N,AL 5052+ PFA COAT,2	SA	1
9-4	JC91-01136A	5	F8964	JC66-00600A	ROLLER-PRESSURE; ML-1710,SUM23+LSR+PFA,24	SA	1
9-5	JC91-01136A	5	H1232	JC61-00888A	BUSH-M-HR L_R2; SCX-4920N,PPS, 25.3,29	SA	1
9-6	JC91-01136A	5	L7239	JC61-00056A	SPRING ETC-PR(7300); ML-7300,PIANO WIRE,1	SA	2
10	JC91-01139B	4		JC91-01132A	FUSER-UPPER; SCX-4650,WORLD	SNA	1
10-1	JC91-01132A	5	Z6237	JC66-00801A	GEAR-EXIT_DR38/25; ML-1610,POM M90-44,A:0	SNA	1
10-2	JC91-01132A	5		4712-001091	THERMOSTAT; AC125/250V,195+-5	SNA	1
10-3	JC91-01132A	5		JC61-01747A	HOLDER-SPRING; ML-2571N,PET+GF30%,1.5,11.	SA	3
10-4	JC91-01132A	5		JC61-05765A	GUIDE-CLAW; PTFE,7.63,23.35,NATURAL,CLAW	SNA	4
10-5	JC91-01132A	5	F8905	JC66-02010A	ROLLER-IDLE; CLP-310,PTFE,10.5,T1.8,WHT	SNA	3
10-6	JC91-01132A	5		1404-001740	THERMISTOR-NTC ASSY; 7Kohm,3370K,0.3mW/C,	SNA	1