

2. Exploded Views and Parts List (SCX-4300)

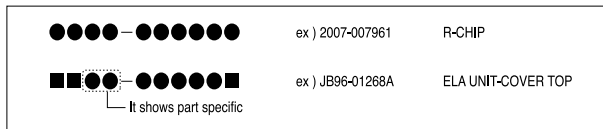
Contents

- 2.1 Main Exploded View 5
- 2.2 Housing Base Exploded View 7
- 2.3 Frame Assembly Exploded View 9
- 2.4 Fuser Unit Exploded View 13
- 2.5 Drive Assembly Exploded View 15
- 2.6 Scan Assembly Exploded View 17
- 2.7 OPE Assembly Exploded View 19
- 2.8 Cassette Assembly Exploded View 21

Part Number & Description format.

Part numbers and descriptions are defined according to a company standard. The information below will help you to understand the part number format and assist when ordering spare parts.

• There are two types of Part number format.



(● : number ■ : letter)

Type 1 : This format is used throughout Samsung on all product ranges. Typically it is used for small components and electronic parts.

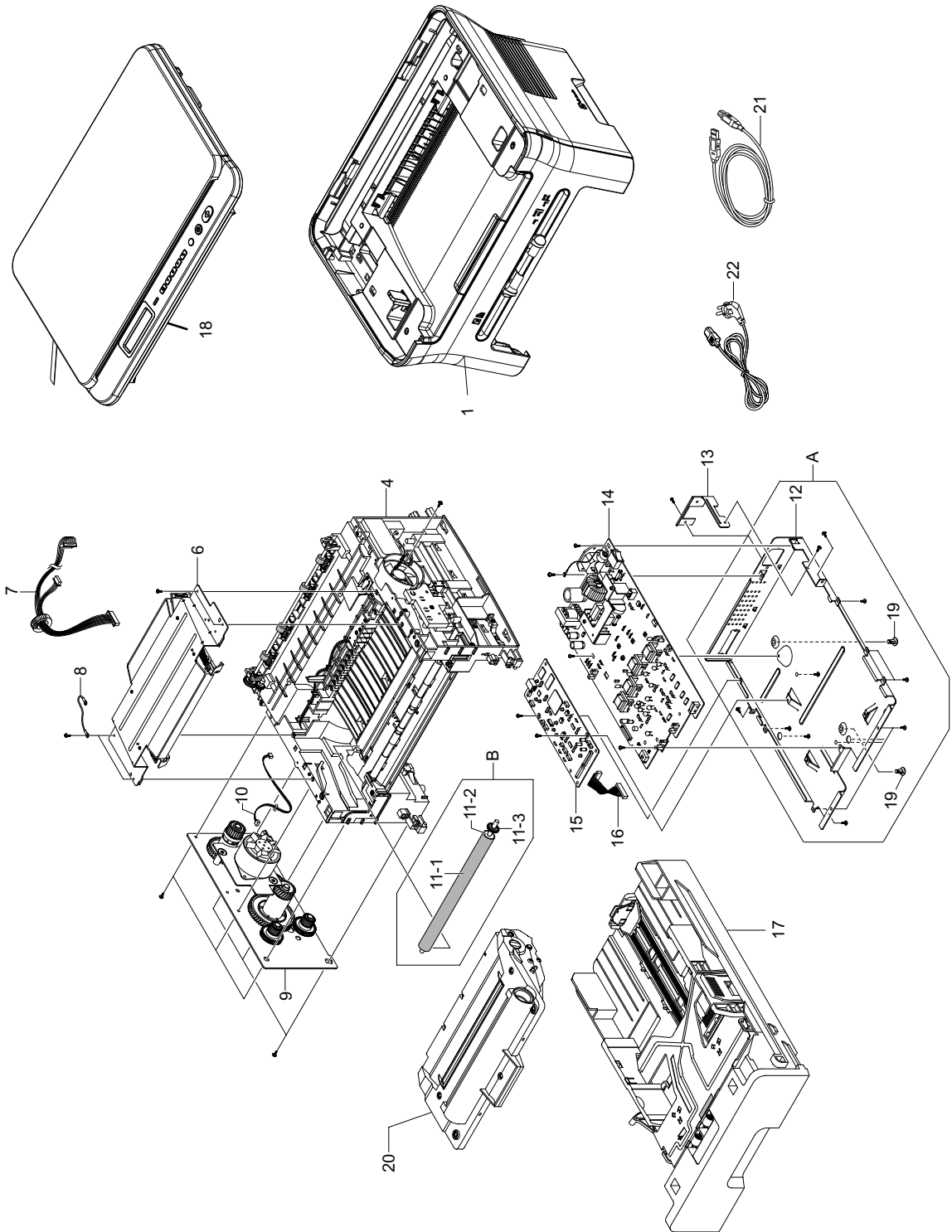
Type 2 : This format is controlled by individual Samsung Divisions and is used on specific products, typically for mechanical parts. Type 2 format part numbers fall into 2 categories:

- **A/S privately used part** : It is only used for A/S .
- **Ass'y part** : Assemblies consisting of 2 or more parts. Also used for Service manuals, user guides and diagrams.

• Ass'y parts and A/S privately used Parts can be distinguished by the part Code and Description. They are always Type 2 format. The 2 leading characters indicate private or assembly parts.

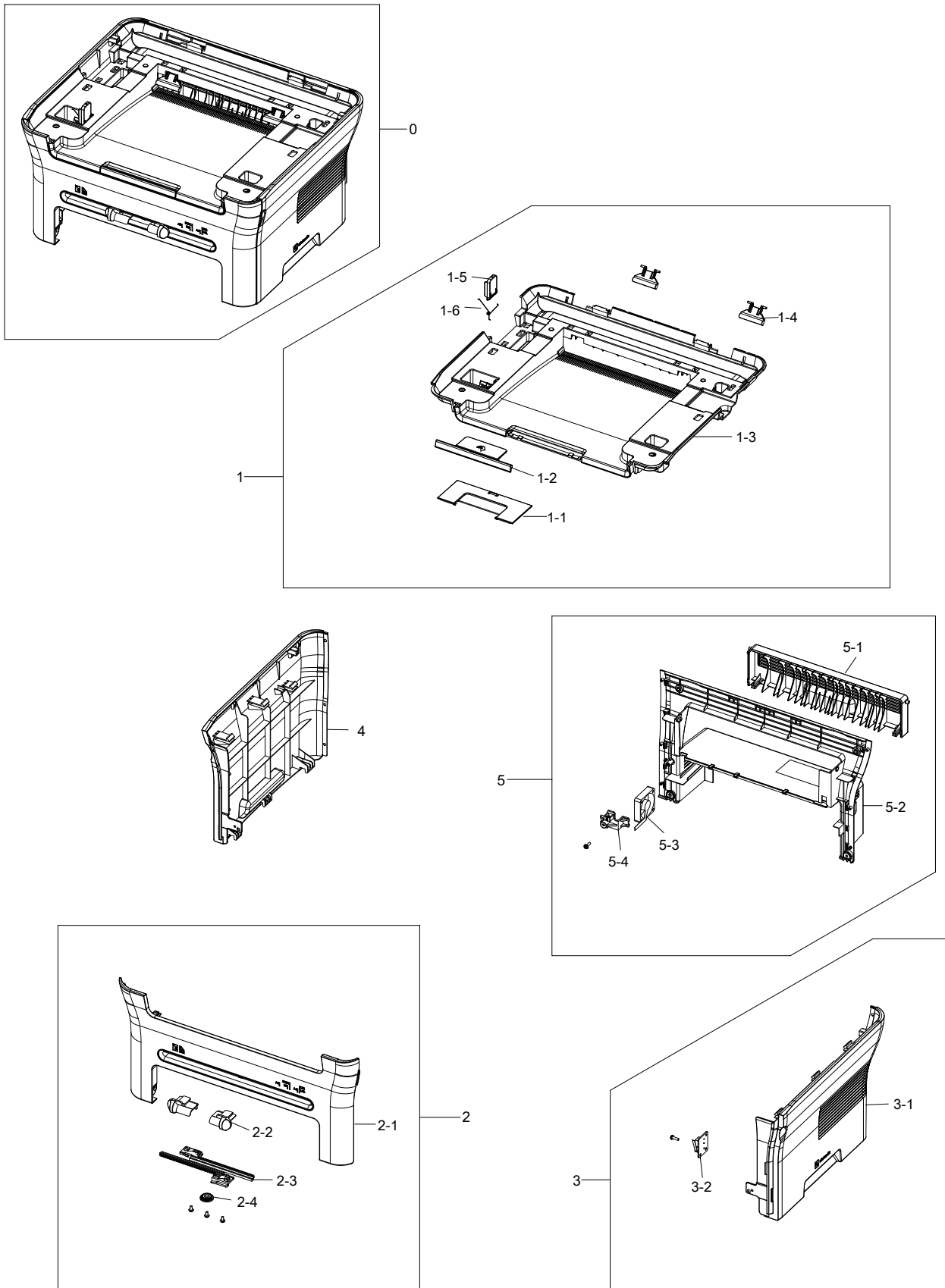
DIVISION	PART CODE	DESCRIPTION
A/S Private	**81-***** (JB81-00039A)	AS-***** (AS-USE)
ASS'Y Part	**75-***** (JB75-00068A)	MEC-***** (MEC-CHUTE)
ASS'Y Part	**92-***** (JB92-01131A)	PBA ***** (PBA MAIN-CONTROLLER)
ASS'Y Part	**97-***** (JB97-01089A)	MEA ***** (MEA UNIT-PULLEY IDLE)

2.1 Main Exploded View



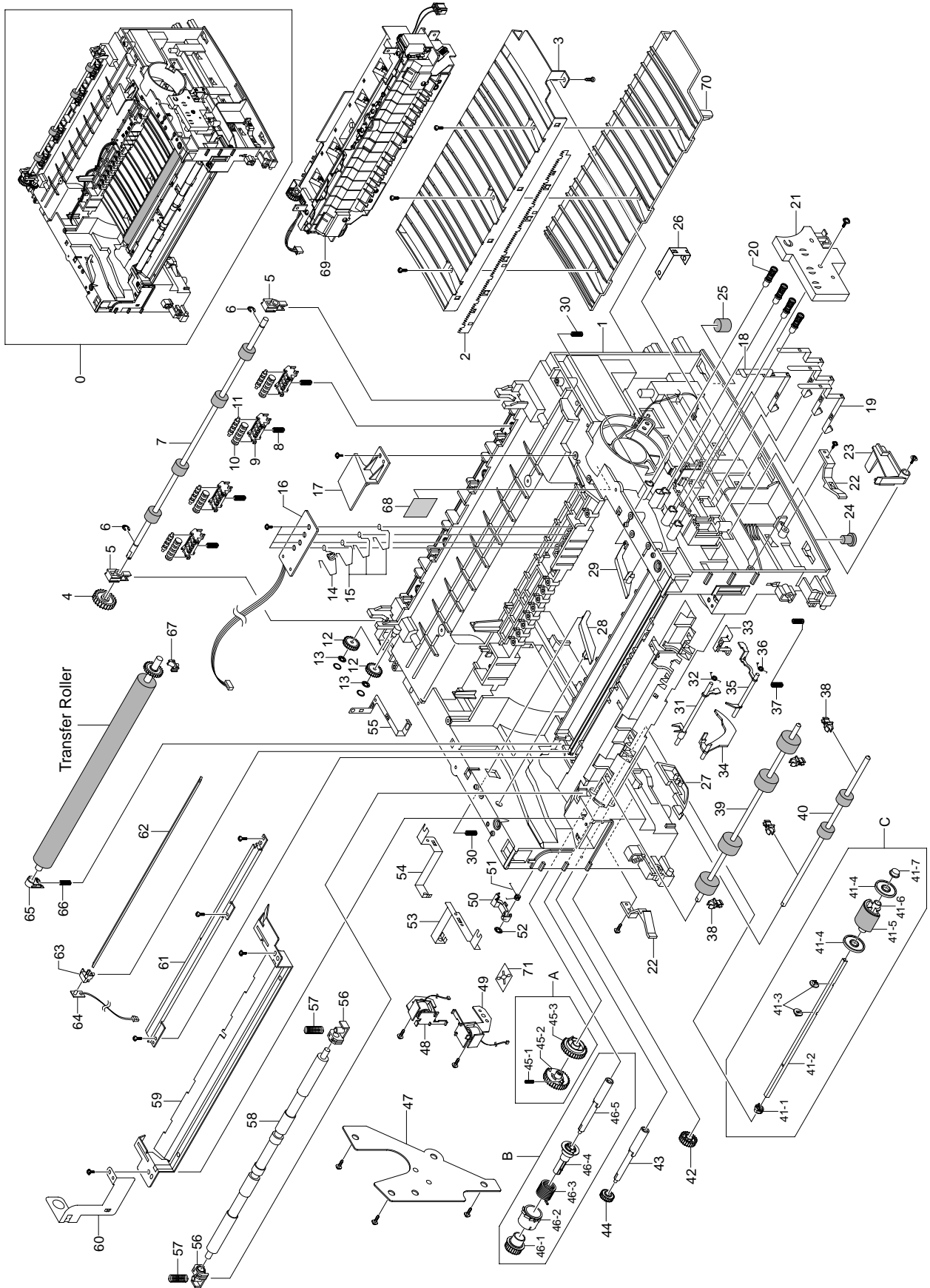
Drawer	SEC_code	Description	Qty	Service	Remark
2.1-0	SCX-4300	SET	1	SNA	
2.1-1	JC96-05058A	ELA HOU BASE-HOUSING	1	SNA	
2.1-4	JC96-05169A	ELA UNIT-FRAME LOWER	1	SA	XAA
2.1-4	JC96-05170A	ELA UNIT-FRAME LOWER	1	SA	SEE
2.1-5	JC31-00004A	FAN-DC_HAWK	1	SA	
2.1-6	JC59-00018C	UNIT-HUMMING_VE LSU	1	SA	
2.1-7	JC39-00242A	CBF HARNESS-LSU	1	SA	
2.1-8	JB39-40532A	CBF HARNESS-OPE	1	SA	
2.1-9	JC96-03823A	ELA UNIT-DRIVE	1	SA	
2.1-10	JC39-00241A	CBF HARNESS-MOTOR	1	SA	
2.1-A	JC97-01792A	MEA UNIT-SHIELD ENGINE	1	SA	
2.1-B	-	Transfer Ass'y	1	SNA	
2.1-11-1	JC66-01218A	ROLLER-TRANSFER	1	SA	
2.1-11-2	JC72-00851A	PPR-SPACER_TR	1	SNA	
2.1-11-3	JC66-00395A	GEAR-TRANSFER	1	SA	
2.1-12	JC63-00107A	SHIELD-P-ENGINE	1	SNA	
2.1-13	JC61-00601A	BRACKET-P-INLET	1	SA	
2.1-14	JC44-00072A	SMPS-V1	1	SA	110V
2.1-14	JC44-00073A	SMPS-V2	1	SA	220V
2.1-15	JC92-01762F	PBA MAIN	1	SA	
2.1-16	JC39-00240A	CBF HARNESS-ENGINE	1	SA	
2.1-17	JC97-02436D	MEA UNIT-CASSETTE	1	SA	
2.1-18	JC96-05119A	ELA UNIT-SCANNER	1	SA	
2.1-19	6103-001056	SUPPORTER	2	SNA	
2.1-20	-	ELA UNIT-DEVE	1	SNA	
2.1-21	-	USB cable	1	SNA	
2.1-22	-	CBF-POWER CORD	1	SA	

2.2. Housing Base Exploded View



Drawer	SEC_code	Description	Qty	Service	Remark
2.2-0	JC96-05058A	ELA HOU BASE-HOUSING	1	SNA	
2.2-1	JC97-03245A	MEA UNIT-COVER MIDDLE	1	SA	
2.2-1-1	JC61-02582A	STACKER-SMALL	1	SA	
2.2-1-2	JC61-02583B	STACKER-RX LARGE	1	SA	
2.2-1-3	JC63-01895A	COVER-MIDDLE	1	SA	
2.2-1-4	JC72-01343A	PMO-SUB_M_STACKER	2	SA	
2.2-1-5	JC61-00949A	STOPPER-M-LEVER	1	SA	
2.2-1-6	JC61-00026A	SPRING ETC-TS-CHARGE APOLLO	1	SNA	
2.2-2	JC97-03246A	MEA UNIT-COVER FRONT	1	SA	
2.2-2-1	JC63-01898A	COVER-FRONT	1	SA	
2.2-2-2	JC70-00477F	ADJUST-MANUAL R	1	SA	
	JC70-00476F	ADJUST-MANUAL L	1	SA	
2.2-2-3	JC70-00304A	ADJUST RACK-M-MANUAL	2	SA	
2.2-2-4	JC66-00387A	GEAR-RACK_PINION	1	SNA	
-	6003-000264	SCREW-TAPTITE	3	SNA	
2.2-3	JC96-05145A	ELA UNIT-COVER SIDE R	1	SA	
2.2-3-1	JC63-01894A	COVER-SIDE R	1	SA	
2.2-3-2	JC92-01761A	PBA SUB-SWITCH	1	SA	
-	6003-000196	SCREW-TAPTITE	1	SA	
2.2-4	JC63-01893A	COVER-SIDE L	1	SA	
2.2-5	JC97-03247A	MEA UNIT-COVER REAR	1	SA	
2.2-5-1	JC63-01896A	COVER-REAR	1	SA	
2.2-5-2	JC63-01897A	COVER-REAR DOOR	1	SA	
2.2-5-3	3103-001085	FAN-DC	1	SA	
2.2-5-4	JC61-01643A	HOLDER-M_HARNESS	1	SA	
-	6003-000196	SCREW-TAPTITE	1	SA	

2.3. Frame Assembly Exploded View

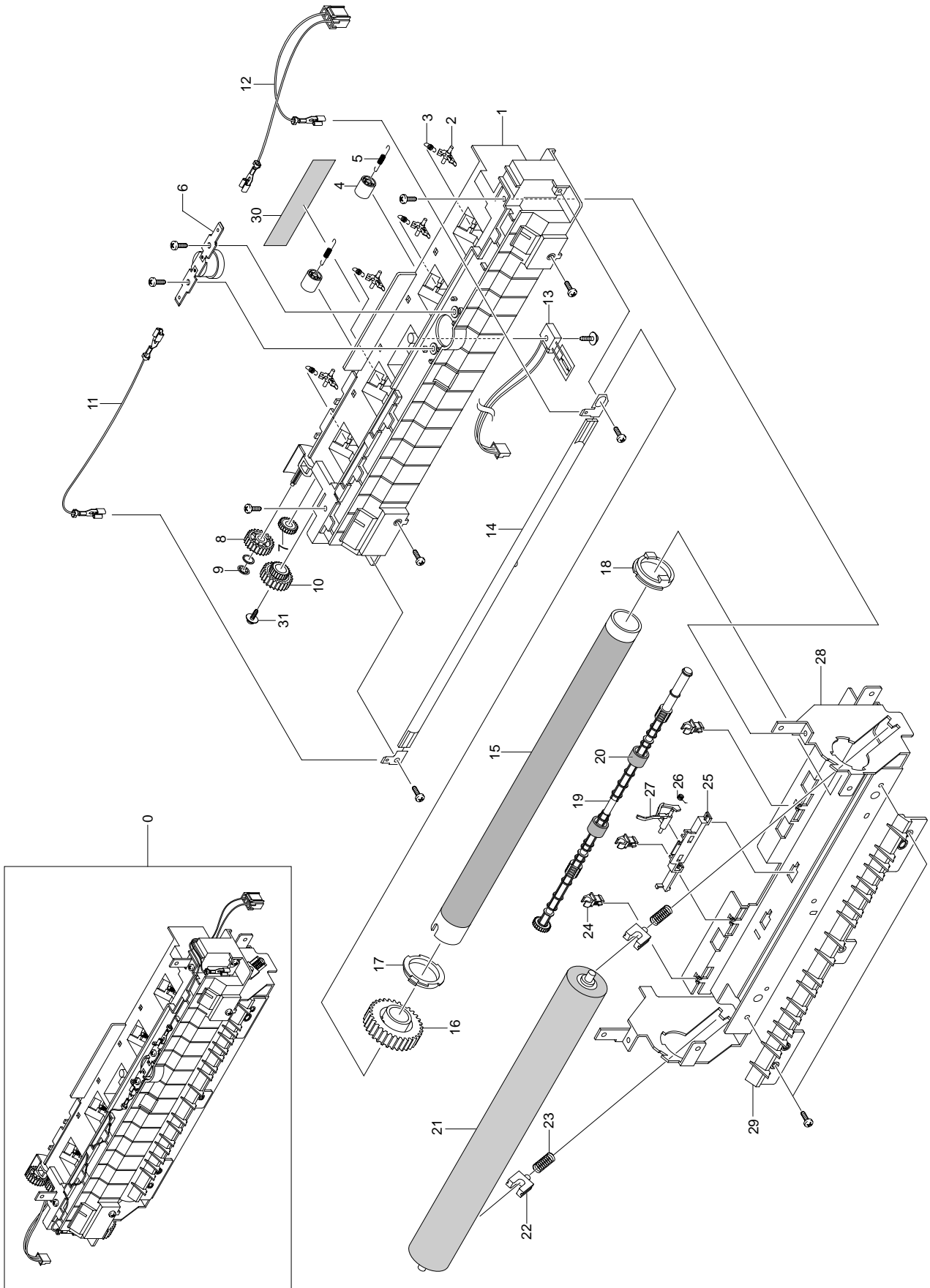


Drawer	SEC_code	Description	Qty	Service	Remark
2.3-0	JC96-05169A	ELA UNIT-FRAME LOWER	1	SA	110V
2.3-0	JC96-05170A	ELA UNIT-FRAME LOWER	1	SA	220V
2.3-1	JC61-01651A	FRAME-M_BASE	1	SA	
2.3-2	JC61-00604A	PLATE-P-SAW	1	SA	
2.3-3	JC61-00594A	GUIDE-M-TR RIB	1	SA	
2.3-4	JC66-00038A	GEAR-EXIT F/DOWN	1	SA	
2.3-5	JC61-00829A	HOLDER-BEARING EXIT F/DOWN	2	SA	
2.3-6	6044-000159	RING-C	2	SA	
2.3-7	JC66-01209A	ROLLER-EXIT F/DOWN	1	SA	
2.3-8	6107-001163	SPRING-CS	4	SA	
2.3-9	JC61-00582B	HOLDER-M_EXIT F/DOWN	4	SNA	
2.3-10	JC72-41081B	PMO-M-ROLLER EXIT_MAIN 5	4	SA	
2.3-11	JC72-41082B	PMO-M-ROLLER EXIT_FR 500	4	SA	
2.3-12	JC72-00143A	PMO-GEAR_EXIT_DRV16	2	SNA	
2.3-13	6031-001051	WASHER-PLAIN	2	SNA	
2.3-14	6107-001164	SPRING-TS	1	SA	
2.3-15	6107-001165	SPRING-TS	1	SNA	
2.3-16	JC92-01786A	PBA SUB-CRUM	1	SA	
2.3-17	JC63-00458A	GROUND-P-TERMINAL DEVE	1	SA	
2.3-18	JC61-01652A	PLATE-P-TERMINAL CR	1	SA	
2.3-19	JC70-00340A	IPR-P-TERMINAL DEVE KEY	3	SNA	
2.3-20	JC75-00049A	MEC-TERMINAL	4	SA	
2.3-21	JC61-00911A	HOUSING-M-TERMINAL R2	1	SA	
2.3-22	JC72-00983A	PMO-LOCKER CST	2	SA	
2.3-23	JC72-00974A	PMO-ACTUATOR CVR OPEN	1	SA	
2.3-24	JC61-00836A	FOOT-FRONT	2	SA	
2.3-25	JC61-00835A	FOOT-BACK	2	SA	
2.3-26	JC70-00311A	IPR-P-GROUND_TR	1	SNA	
2.3-27	JC70-00312A	IPR-P-TERMINAL CON	1	SA	
2.3-28	JC72-00984A	PMO-PLATE GUIDE DEVE_L	1	SA	
2.3-29	JC72-00985A	PMO-PLATE GUIDE DEVE_R	1	SA	
2.3-30	JC61-70932A	SPRING ETC-GUIDE DEVE	2	SA	

Drawer	SEC_code	Description	Qty	Service	Remark
2.3-31	JC72-00976A	PMO-ACTUATOR FEED	1	SA	
2.3-33	JC70-00309A	IPR-P-GROUND_EARTH TR	1	SNA	
2.3-34	JC72-00975A	PMO-ACTUATOR EMPTY	1	SA	
2.3-35	JC72-00977A	PMO-ACTUATOR MANUAL	1	SA	
2.3-37	6107-001162	SPRING-ETC	1	SA	
2.3-38	JC72-00382B	PMO-BUSHING FEED	2	SA	
2.3-39	JC66-00526A	ROLLER-FEED ROLLER 1	1	SA	
2.3-40	JC66-00598A	ROLLER-FEED	1	SA	
2.3-41-1	JC61-00586A	BUSH-M-PICK_UP L	1	SA	
2.3-41-2	JC66-00399A	SHAFT-P-PICK_UP	1	SA	
2.3-41-3	JC61-00593A	STOPPER-PICK_UP	2	SNA	
2.3-41-4	JC72-00982A	PMO-IDLE PICK_UP	2	SA	
2.3-41-5	JC72-01231A	SPONGE-ROLLER PICK_UP	1	SA	
2.3-41-6	JC61-00587A	BUSH-M-PICK_UP R	1	SA	
2.3-41-7	JC61-00591A	HOUSING-M-PICK_UP	1	SA	
2.3-41-8	JC66-00720A	SHAFT-P-CORE	1	SA	
2.3-42	JC66-00396A	GEAR-IDLE 23	1	SA	
2.3-43	JC66-00398A	SHAFT-FEED	1	SA	
2.3-44	JC66-00394A	GEAR-FEED 2	1	SA	
2.3-A	JC81-01692A	AS-GEAR PICK_UP	1	SA	
2.3-45-1	JC72-00980A	PMO-GEAR PICK_UP B	1	SA	
2.3-45-2	JC72-00979A	PMO-GEAR PICK_UP A	1	SA	
2.3-45-3	6107-001167	SPRING-CS	1	SA	
2.3-B	JC97-01788A	MEA UNIT-CLUTCH	1	SA	
2.3-46-1	JC66-00393A	GEAR-FEED 1	1	SA	
2.3-46-2	JC72-00978A	PMO-COLLAR_SPRING	1	SA	
2.3-46-3	6107-001171	SPRING-TS	1	SA	
2.3-46-4	JC72-00981A	PMO-HUB CLUTCH	1	SNA	
2.3-46-5	JC66-00398A	SHAFT-FEED	1	SA	
2.3-47	JC61-00602A	BRACKET-P-FEED	1	SA	
2.3-48	JC33-00009A	SOLENOID-HB (PICK-UP)	1	SA	
2.3-49	JC33-00010A	SOLENOID-HB (MANUAL)	1	SA	
2.3-50	JC66-00377A	CAM-M-PICK_UP	1	SA	

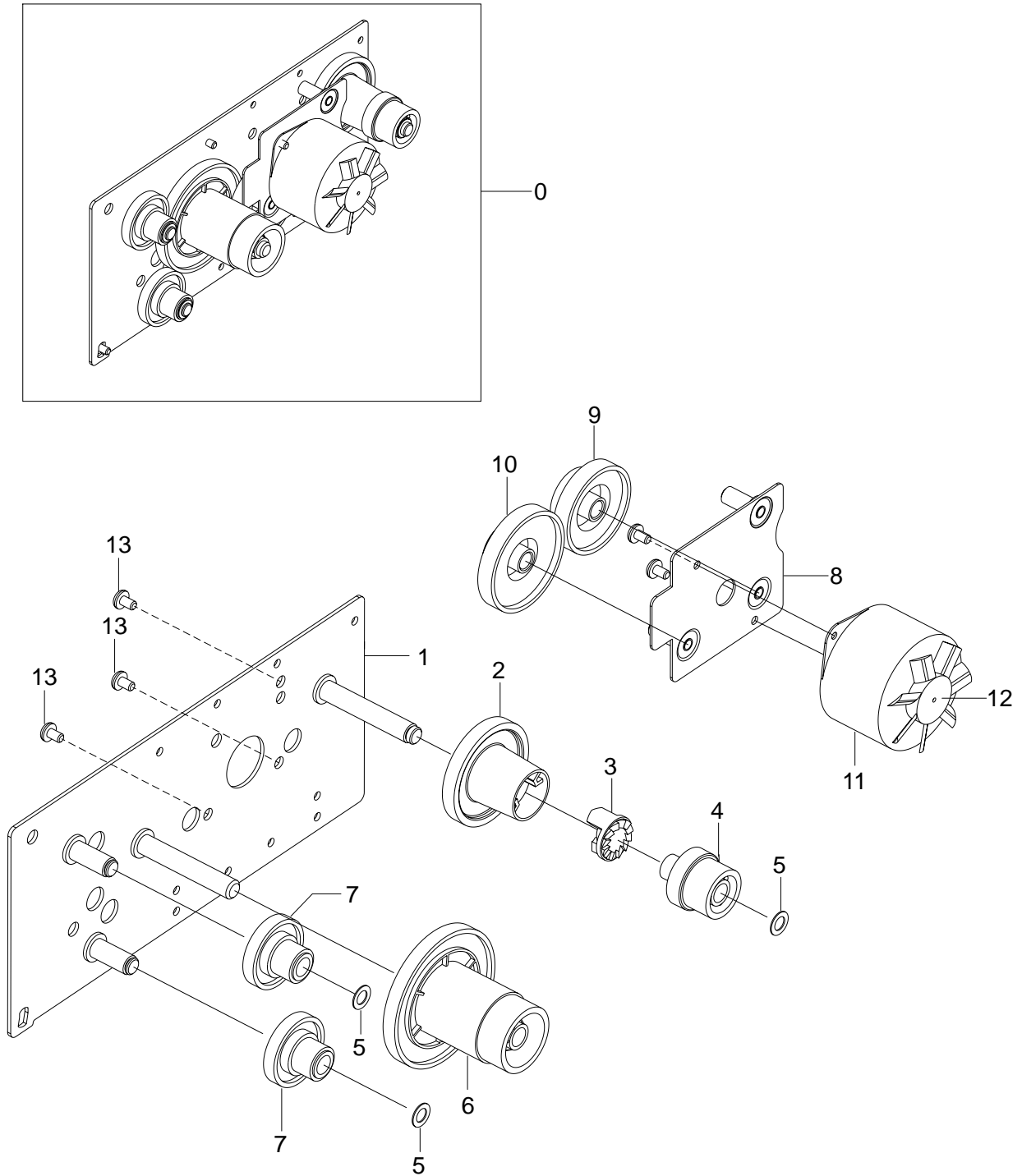
Drawer	SEC_code	Description	Qty	Service	Remark
2.3-51	6107-001170	SPRING-TS	1	SA	
2.3-52	6044-000001	RING-CS	1	SNA	
2.3-53	JC70-00308A	IPR-P-GROUND_DRIVE	1	SNA	
2.3-54	JC70-00335A	IPR-P_GROUND_DRIVE2	1	SA	
2.3-55	JC70-00310A	IPR-P-GROUND_FUSER	1	SNA	
2.3-56	JC61-00585A	BUSH-M-FEED IDLE	2	SA	
2.3-57	JC61-70958A	SPRING ETC-TR	2	SA	
2.3-58	JC66-00527A	SHAFT-FEED IDLE	1	SA	
2.3-59	JC61-00718A	GUIDE-P-PAPER	1	SA	
2.3-60	JC70-00458A	IPR-P-GROUND_GUIDE PAPER	1	SNA	
2.3-61	JC70-00307A	IPR-P-EARTH TRANSFER	1	SA	
2.3-62	JC67-00027A	LENS-PTL	1	SA	
2.3-63	JC61-00583A	HOLDER-PTL	1	SA	
2.3-64	JC92-01620B	PBA SUB-PTL	1	SA	
2.3-65	JC61-00588A	BUSH-M-TR L	1	SA	
2.3-66	JC61-00047A	SPRING ETC-TR L HAWK	1	SA	
2.3-67	JC72-00102A	PMO-BUSHING_TR(L)	1	SA	
2.3-68	JC68-00407A	LABEL(R)-HV FUSER	1	SNA	
2.3-69	JC96-05101A	ELA HOU-FUSER	1	SA	110V
2.3-69	JC96-05101B	ELA HOU-FUSER	1	SA	220V
2.3-70	JC61-00607A	GUIDE-P-TR	1	SA	
2.3-71	JC61-00937A	GUIDE-M-KNOCK UP	1	SA	

2.4. Fuser Unit Exploded View



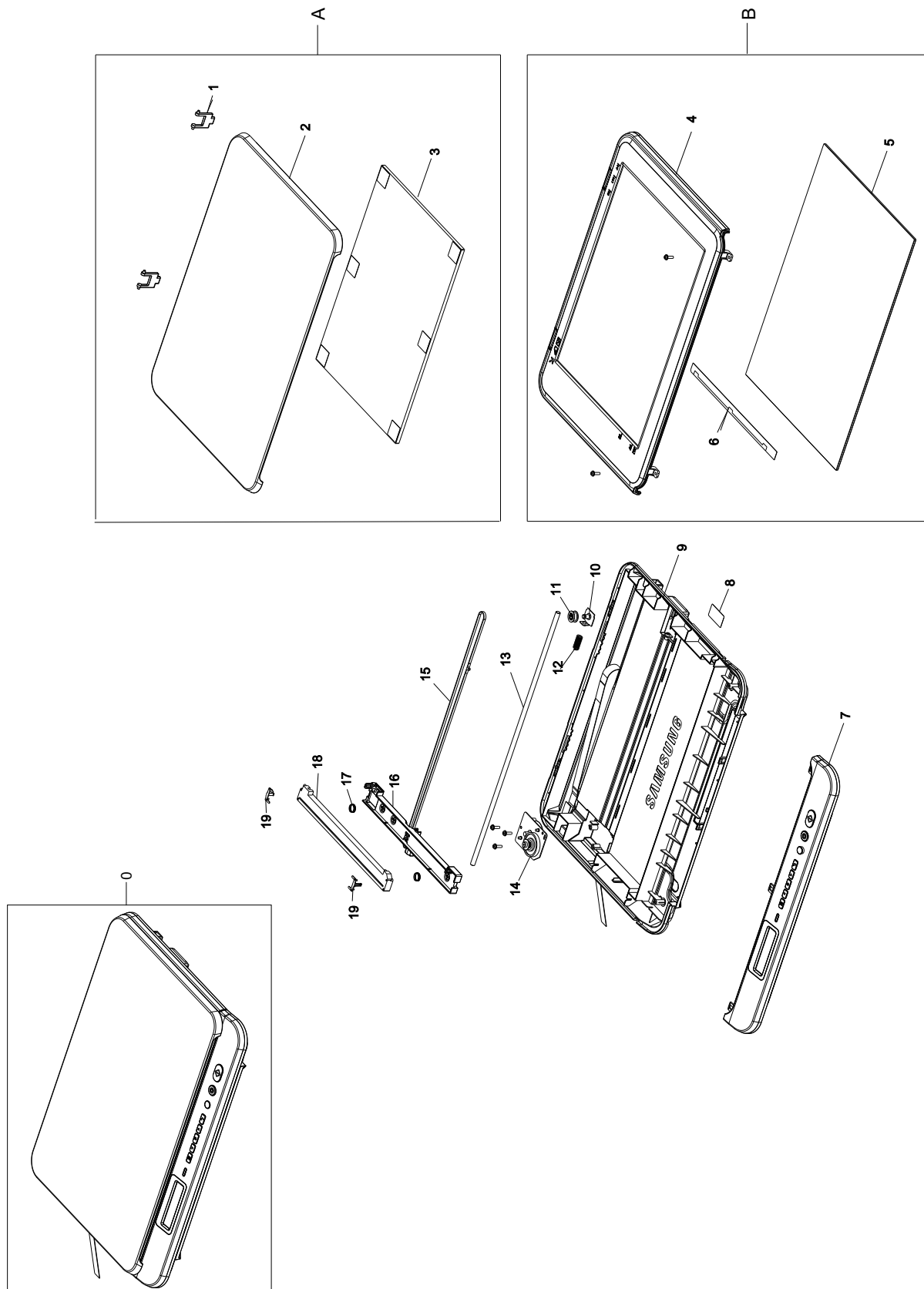
Drawer	SEC_code	Description	Qty	Service	Remark
2.4-0	JC96-05101A	ELA HOU-FUSER	1	SA	110V
2.4-0	JC96-05101B	ELA HOU-FUSER	1	SA	220V
2.4-1	JC63-01019A	COVER-M-FUSER	1	SA	
2.4-3	JC61-00064A	SPRING ETC-CLAW	4	SA	
2.4-4	JC72-40361A	PMO-ROLLER_EXIT	2	SNA	
2.4-5	JC61-70976A	SPRING ETC-FUSER EXIT	2	SNA	
2.4-6	JC47-00013A	THERMOSTAT-_170	1	SA	
2.4-7	JC72-00143A	PMO-GEAR_EXIT_DRV16	1	SNA	
2.4-2	JC66-00396A	GEAR-IDLE 23	1	SA	
2.4-9	6044-000001	RING-CS	1	SNA	
2.4-10	JC66-01204A	GEAR-RDCN 25/15	1	SA	
2.4-11	JC39-00404A	CBF HARNESS-FUSER JOINT	1	SA	
2.4-12	JC39-00559A	HARNESS-FUSER	1	SA	220V
2.4-12	JC39-00558A	HARNESS-FUSER	1	SA	110V
2.4-13	1404-001298	THERMISTOR-NTC	1	SA	
2.4-14	4713-001203	LAMP-HALOGEN	1	SA	110V
2.4-14	4713-001202	LAMP-HALOGEN	1	SA	220V
2.4-15	JC66-00601A	ROLLER-HEAT	1	SA	
2.4-16	JC66-00564A	GEAR-FUSER, Z37	1	SA	
2.4-17	JC61-00589A	BUSH-M-HR L	1	SA	
2.4-18	JC61-00590A	BUSH-M-HR R	1	SA	
2.4-19	JC66-00380A	ROLLER-M-EXIT F/UP	1	SA	
2.4-20	JC73-00017A	RMO-RUBBER_EXIT	2	SA	
2.4-21	JC66-00600A	ROLLER-PRESSURE	1	SA	
2.4-22	JC66-10901A	BUSH	1	SA	
2.4-23	6107-001168	SPRING-CS	1	SA	
2.4-24	JC72-00382A	PMO-BUSHING TX	3	SNA	
2.4-25	JC61-00581A	HOLDER-ACTUATOR	1	SNA	
2.4-26	6107-001165	SPRING-TS	1	SNA	
2.4-27	JC72-00987A	PMO-ACTUATOR_EXIT	1	SA	
2.4-28	JC70-00317A	IPR-P-FRAME_FUSER	1	SNA	
2.4-29	JC61-00595A	GUIDE-M-INPUT	1	SNA	
2.4-30	JC68-01581A	LABEL(P)-CAUTION HOT	1	SNA	
2.4-31	6031-001051	WASHER-PLAIN	1	SNA	
2.4-S1	6003-000282	SCREW-TAPTITE	5	SNA	
2.4-S2	6003-000269	SCREW-TAPTITE	6	SNA	
2.4-S3	6003-000196	SCREW-TAPTITE	1	SNA	
2.4-S4	6006-001078	SCREW-TAPTITE	1	SNA	

2.5. Drive Assembly Exploded View



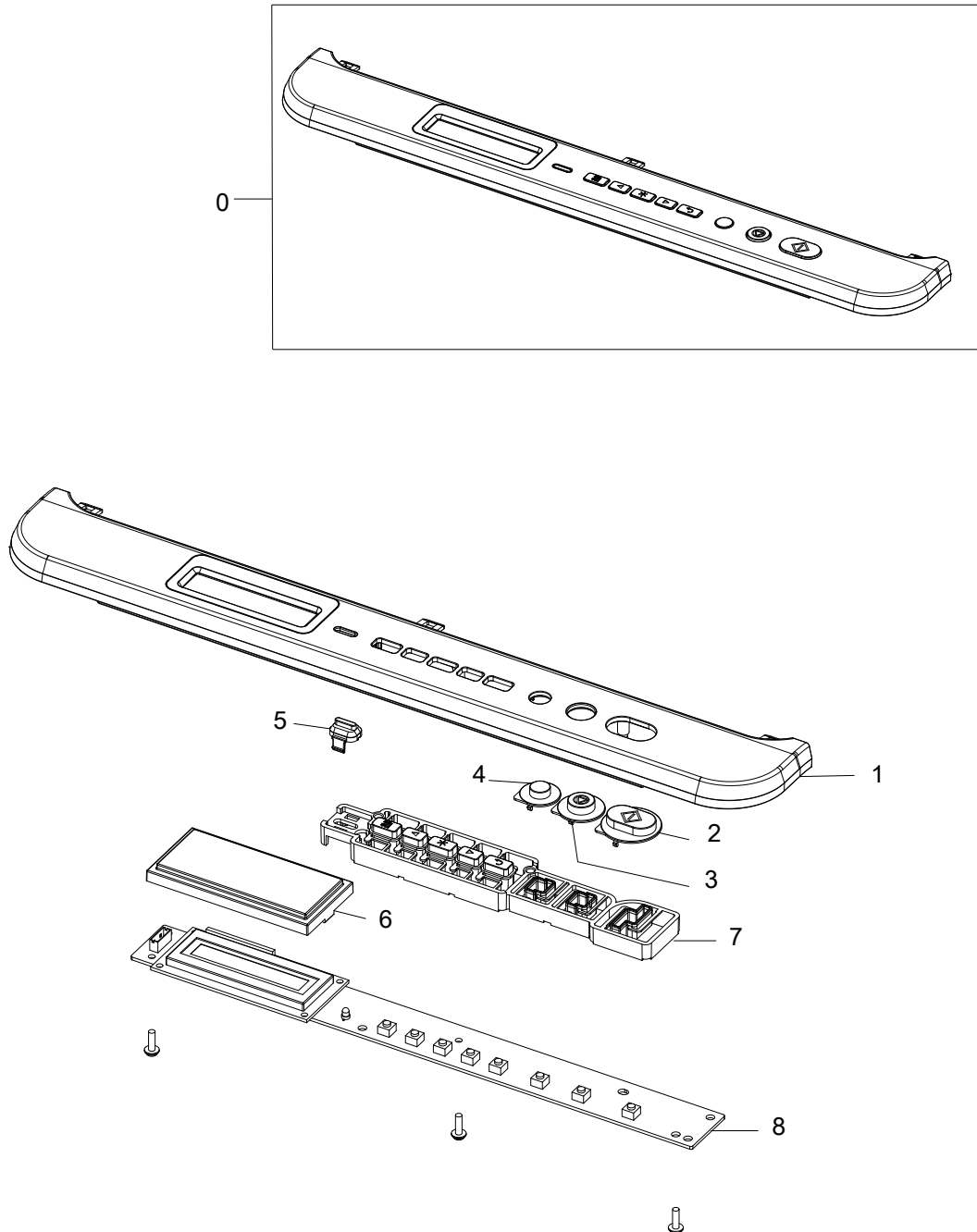
Drawer	SEC_code	Description	Qty	Service	Remark
2.5-0	JC96-03823A	ELA UNIT-DRIVE	1	SA	
2.5-1	JC61-00598B	BRACKET-P-GEAR 1400	1	SA	
2.5-2	JC66-01203A	GEAR-DRV FUSER OUT	1	SA	
2.5-3	JC66-00340A	GEAR-HUB CLUTCH	1	SA	
2.5-4	JC66-01202A	GEAR-DRV FUSER IN	1	SA	
2.5-5	6031-000023	WASHER-PLAIN	3	SNA	
2.5-6	JC66-00391A	GEAR-RDCN 113/33	1	SA	
2.5-7	JC66-00389A	GEAR-RDCN 57/18	2	SA	
2.5-8	JC61-00599A	BRACKET-P-MOTOR 1400	1	SNA	
2.5-9	JC66-00392A	GEAR-RDCN 90/31	1	SA	
2.5-10	JC66-00390A	GEAR-RDCN 103/41	1	SA	
2.5-11	JC31-00028A	MOTOR STEP-HUMMINGBIRD	1	SA	
2.5-12	JC72-00825A	PMO-IMPELLER_DRV	1	SA	
2.5-13	6001-000130	SCREW-MACHINE	5	SA	

2.6. Scan Assembly Exploded View



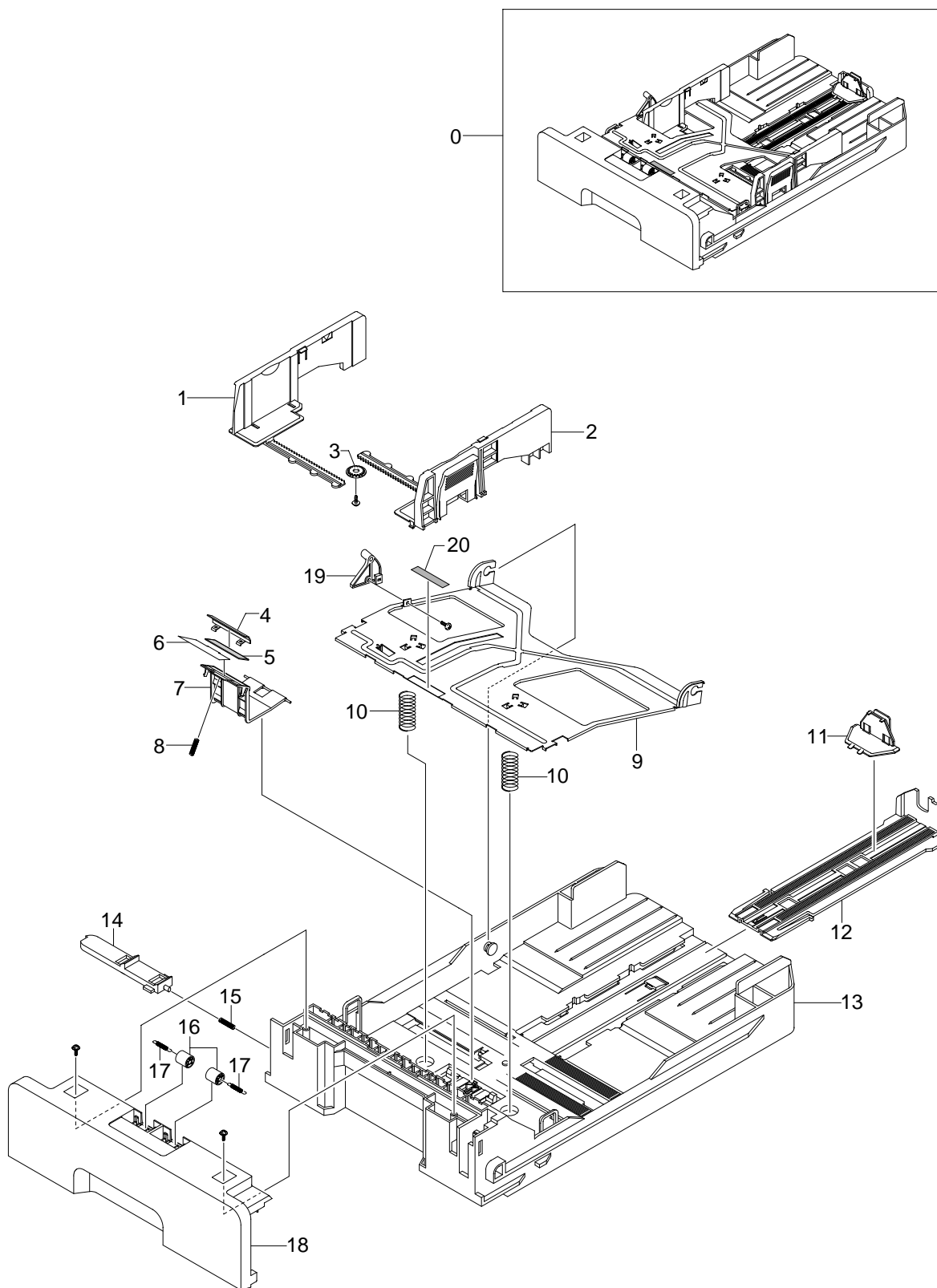
Drawer	SEC_code	Description	Qty	Service	Remark
2.6-0	JC96-05119A	ELA UNIT-SCANNER	1	SA	
2.6-A	JC96-05054A	ELA UNIT-COVER PLATEN	1	SA	
2.6-1	JC61-00929B	HINGE-PIVOT	2	SNA	
2.6-2	JC63-01899A	COVER-SCAN PLATTEN	1	SA	
2.6-3	JC63-00209A	SHEET-WHITE SPONGE	1	SC	
2.6-B	JC96-05057A	ELA UNIT-SCAN-UPPER	1	SA	
2.6-4	JC63-01902A	COVER-SCAN UPPER	1	SA	
2.6-5	JB01-00002A	GLASS-PLATEN	1	SA	
2.6-6	JB68-00644A	LABEL(P)-SHADING	1	SA	
2.6-7	JC96-05056A	ELA UNIT-OPE	1	SA	
2.6-8	JC68-01893A	LABEL-BLANK	1	SNA	
2.6-9	JC63-01900A	COVER-SCAN LOWER	1	SA	
2.6-10	JC61-00931A	BRACKET-P-PULLEY	1	SNA	
2.6-11	JC66-00713B	PULLEY-IDLE	1	SA	
2.6-12	6107-001194	SPRING-CS	1	SA	
2.6-13	JC66-00718A	SHAFT-CIS	1	SNA	110V
2.6-14	JC96-03834A	ELA UNIT-SCAN DRIVE	1	SA	220V
2.6-15	6602-001637	BELT-TIMING GEAR	1	SA	
2.6-16	JC61-01646A	BRACKET-M-CIS	1	SA	
2.6-17	6107-001137	SPRING-CS	2	SA	
2.6-18	0609-001307	CONTACT IMAGE SENSOR	1	SA	
2.6-19	JC66-01580A	SLIDER-CIS	2	SA	

2.7. OPE Assembly Exploded View



Drawer	SEC_code	Description	Qty	Service	Remark
2.7-0	JC96-05056A	ELA UNIT-OPE	1	SA	
2.7-1	JC63-01901A	COVER-PANEL	1	SA	
2.7-2	JC64-00408A	KEY-START	1	SA	
2.7-3	JC64-00409A	KEY-STOP	1	SA	
2.7-4	JC64-00258E	KEY-COPIES	1	SA	
2.7-5	JC67-00156A	CAP-M-LED	1	SA	
2.7-6	JC67-00155A	CAP-M-LCD	1	SA	
2.7-7	JC64-00257E	KEY-MENU	1	SA	
2.7-8	JC92-01760B	PBA SUB-PANEL	1	SA	
2.7-9	6003-000196	SCREW-TAPTITE	3	SA	
2.7-10	JC39-00582A	HARNESS-OPE	1	SA	

2.8. Cassette Assembly Exploded View



Drawer	SEC_code	Description	Qty	Service	Remark
2.8-0	JC97-02436D	MEA UNIT-CASSETTE	1	SA	
2.8-1	JC70-00300A	ADJUST-M-CASSETTE_L	1	SA	
2.8-2	JC70-00301A	ADJUST-M-CASSETTE_R	1	SA	
2.8-3	JG66-40003A	GEAR-PINION	1	SA	
2.8-4	JC70-00314A	IPR-PLATE PAD	1	SA	
2.8-5	JC73-00140A	RPR-FRICTION PAD	1	SA	
2.8-6	JC63-00290A	SHEET-HOLDER PAD	1	SA	
2.8-7	JC61-00580A	HOLDER-M-PAD	1	SA	
2.8-8	JC61-70911A	SPRING ETC-EXIT ROLL FD	1	SA	
2.8-9	JC61-00603A	PLATE-P-KNOCK_UP	1	SNA	
2.8-10	6107-001166	SPRING-CS	2	SA	
2.8-11	JC72-00971A	PMO-EXTENSION SMALL	1	SA	
2.8-12	JC61-00918B	GUIDE-M-EXTENSION L2	1	SA	
2.8-13	JC61-00876A	FRAME-M_CASSETTE	1	SNA	
2.8-14	JC72-00972A	PMO-PLATE_LOCKER	1	SA	
2.8-15	JG61-70531A	SPRING ETC-LOCKER,PLATE	1	SA	
2.8-16	JC66-00529A	ROLLER-M-IDLE FEED	2	SA	
2.8-17	6107-001047	SPRING-ES	2	SNA	
2.8-18	JC61-01641A	GUIDE-M-HANDLE	1	SA	
2.8-19	JC66-00719A	CAM-M-KNOCK UP	1	SNA	
2.8-20	JC73-00141A	RPR-PAD CASSETTE	1	SA	

3.2 Connection Diagram

EIGER CONNECTION DIAGRAM REV 0.0

