

8. Exploded Views and Parts List

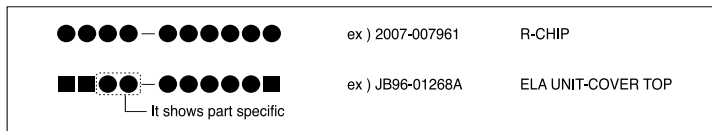
- 8.1 Main Assembly page(8-2)
- 8.2 Frame Assembly page(8-4)
- 8.3 Scanner Unit Assembly page(8-7)
- 8.4 Fuser Unit Assembly page(8-9)
- 8.5 Middle Cover Unit Assembly page(8-11)
- 8.6 Driver Unit Assembly page(8-13)
- 8.7 Cassette Unit Assembly page(8-14)

- Deal drawings and service parts are declared for the items with higher rate of inferiority and replaceable in the level of service description only.
- If inferiority occurs, you can replace the parts by the unit declared in deal drawings and service items.

Way to observe Part Code & Description

Part code and Description is quoted and controlled by determined standard. Refer to this determined standard, it will help with ordering Part.

- There are two kinds of Part code inscription type.



(● : figure, ■ : character (alphabet))

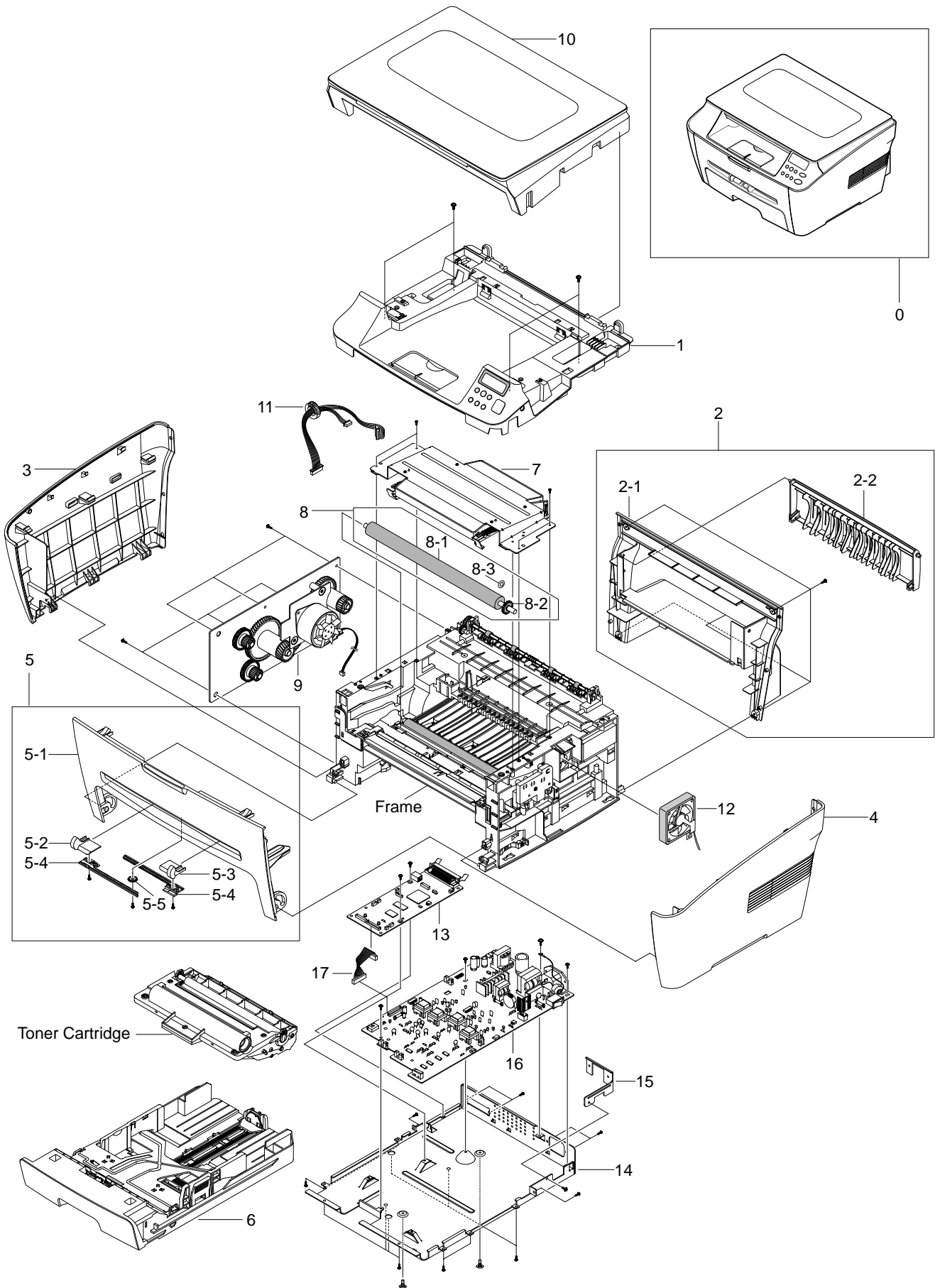
Type 1 : Controlled by Company : It can be commonly used for all kinds of product SEC produce. Mostly, electronics Parts.

Type 2 : Controlled by Division : It is used or one produce. Mostly, Mostly, mechanical Parts.

- **A/S privately used part** : It is only used for A/S .
- **Ass'y part** : Assembled by more than 2 Parts. If necessary part is not A/S Part, Ass'y part including necessary par can be used. It is shown in the diagram and drawing of SVC manual.
- Ass'y part and A/S privately used Part is distinguished by part Code and Description. The are inscription type 2. It is recognized by Part character and front side of description.

| DIVISION | PART CODE | DESCRIPTION |
|-------------|-----------------------------|-------------------------------------|
| A/S Private | **81-***** (JB81-00039A) | AS-***** (AS-USE) |
| ASS'Y Part | **75-***** (JB75-00068A) | MEC-***** (MEC-CHUTE) |
| ASS'Y Part | **92-***** (JB92-01131A) | PBA ***** (PBA MAIN-CONTROLLER) |
| ASS'Y Part | **97-***** (JB97-01089A) | MEA ***** (MEA UNIT-PULLEY IDLE) |

8.1 Main Assembly



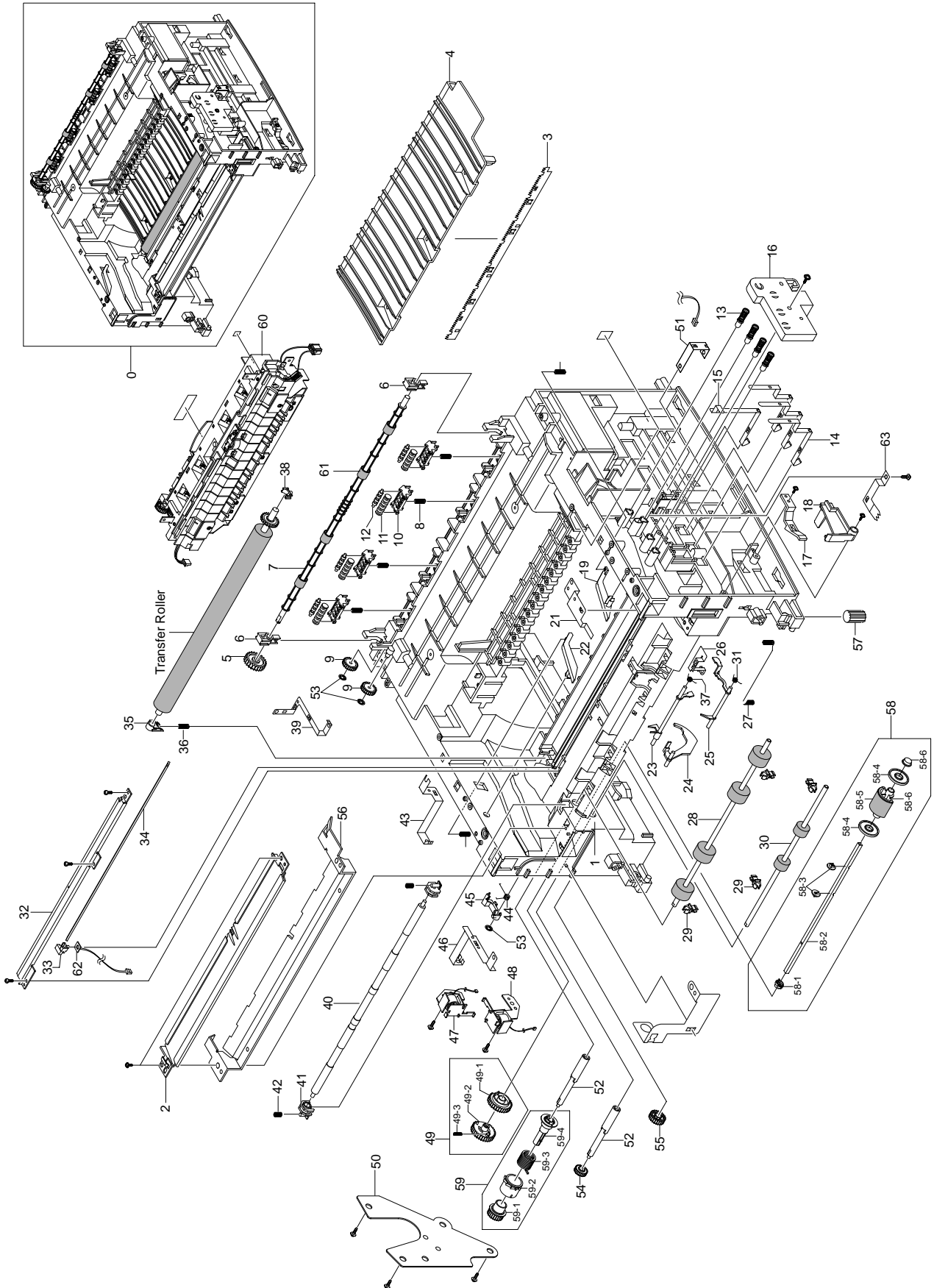
Main Assembly Parts List

SA : Service Available

O : Service available X : Service not available

| No. | Description | SEC.Code | Q'ty | SA | Remark |
|-----|------------------------|-------------|------|----|----------|
| 0 | SCX-4100 | | | | |
| 1 | MEA UNIT-COVER MIDDLE | JC97-01958A | 1 | O | SCX-4100 |
| 2 | MEA UNIT-COVER REAR | JC97-01959A | 1 | O | SCX-4100 |
| 2-1 | COVER-M_REAR | JC63-00475A | 1 | X | |
| 2-2 | COVER-M_REAR DOOR | JC63-00476A | 1 | X | |
| 3 | COVER-M_SIDE_L | JC63-00472A | 1 | O | |
| 4 | COVER-M_SIDE_R | JC63-00471A | 1 | O | |
| 5 | MEA UNIT-COVER FRONT | JC97-01960A | 1 | O | SCX-4100 |
| 5-1 | COVER-M_FRONT | JC63-00477A | 1 | X | |
| 5-2 | ADJUST-M_MANUAL_L | JC70-00481A | 1 | X | |
| 5-3 | ADJUST-M_MANUAL_R | JC70-00482A | 1 | X | |
| 5-4 | ADJUST RACK-M_MANUAL | JC70-00304A | 2 | O | |
| 5-5 | GEAR-RACK PINION | JC66-00387A | 1 | X | |
| 5-6 | LABEL(P)-EXTRACT(DEVE) | JC68-01085J | 1 | X | |
| S | SCREW-TAPTITE | 6003-000264 | 3 | X | |
| 6 | MEA UNIT-CASSETTE_MB | JC97-01914A | 1 | O | SCX-4100 |
| 7 | UNIT-HUMMING_VE LSU | JC59-00018C | 1 | O | |
| 8 | MEA ETC-TR | not assign | 1 | O | |
| 8-1 | ROLLER-TRANSFER | JC66-00725A | 1 | O | |
| 8-2 | GEAR-TRANSFER | JC66-00395A | 1 | O | |
| 8-3 | PPR-SPACER-TR | JC72-00851A | 2 | X | |
| 9 | ELA-UNIT-DRIVE | JC96-03138A | 1 | O | |
| 10 | ELA-UNIT-COVER PLATEN | JC96-03050A | 1 | O | |
| 11 | CBF JARMESS-LSU | JC39-00242A | 1 | O | |
| 12 | FAN-DC | 3103-001085 | 1 | O | |
| 13 | PBA MAIN-CONTROLLER | JC92-01594A | 1 | O | |
| 14 | MEA UNIT-SHIELD ENGINE | JC97-01792A | 1 | O | |
| 15 | BRACLET-P-INLET | JC61-00601A | 1 | O | |
| 16 | SMPS-V1, 110V | JC44-00072A | 1 | O | ▲ 110V |
| | SMPS-V2, 220V | JC44-00073A | 1 | O | ▲ 220V |
| 17 | CBF HARNESS-ENGINE | JC39-00240A | 1 | O | |

8.2 Frame Assembly



Frame Unit Assembly Parts List

SA : Service Available

O : Service available X : Service not available

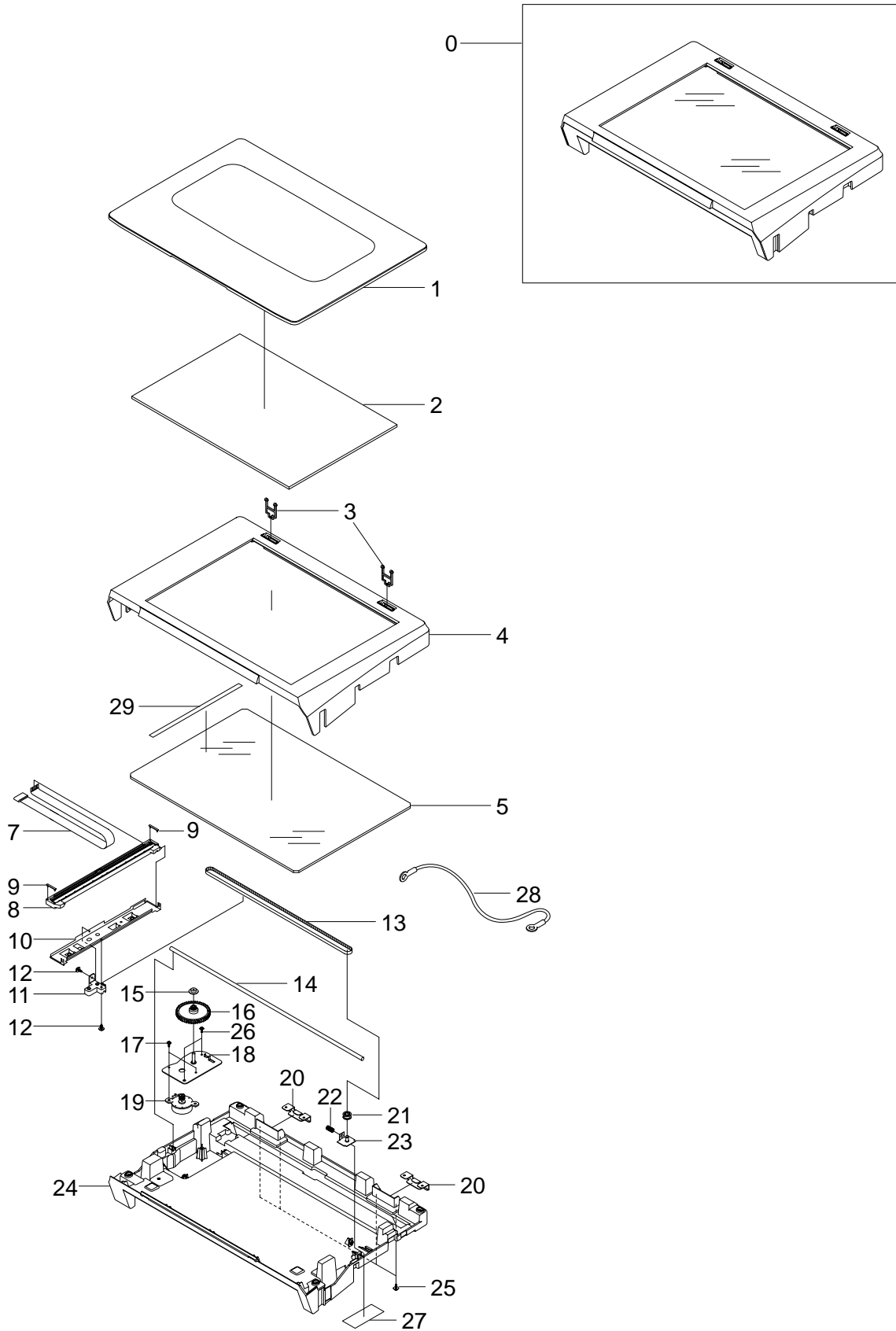
| No. | Description | SEC.Code | Q'ty | SA | Remark |
|-----|----------------------------|-------------|------|----|-------------------|
| 0 | ELA UNIT-FRAME LOWER, 110V | JC96-03137A | 1 | O | ▲ 110V |
| | ELA UNIT-FRAME LOWER, 220V | JC96-03137B | 1 | O | ▲ 220V |
| 1 | FRAME-M-BASE | JC61-00579A | 1 | O | |
| 2 | GUIDE-P-PAPER | JC61-00943A | 1 | O | |
| 3 | PLATE-P-SAW | JC61-00604A | 1 | O | |
| 4 | GUIDE-M-TR RIB | JC61-00933A | 1 | O | |
| 5 | GEAR-EXIT F/DOWN | JC66-00038A | 1 | O | |
| 6 | HOLDER BEARING EXIT F/DOWN | JC61-00829A | 2 | X | |
| 7 | ROLLER-EXIT F/DOWN | JC66-00378A | 1 | O | |
| 8 | SPRING-CS | 6107-001163 | 4 | O | Spring Exit |
| 9 | PMO-GEAR_EXIT_DRV16 | JC72-00143A | 2 | X | |
| 10 | HOLDER-M-EXIT F/DOWN | JC61-00582A | 4 | O | |
| 11 | PMO-ROLLER_EXIT,MAIN | JC72-41081B | 4 | X | |
| 12 | PMO-ROLLER_EXIT,FR | JC72-41082B | 4 | X | |
| 13 | MEC-TERMINAL | JC75-00049A | 4 | O | |
| 14 | IPR-P-TERMINAL CON | JC70-00312A | 3 | O | |
| 15 | IPR-P-TERMINAL CR | JC70-00313A | 1 | O | |
| 16 | HOUSING-TERMINAL | JC61-00592A | 1 | O | |
| 17 | PMO-LOCKER CST | JC72-00983A | 2 | O | |
| 18 | PMO-ACTUATOR CVR OPEN | JC72-00974A | 1 | O | |
| 19 | PMO-PLATE GUIDE DEVE_R | JC72-00985A | 1 | O | |
| 20 | SPRING ETC-GUIDE DEVE | JC61-70932A | 2 | O | |
| 21 | IPR-P-GROUND_GUIDE PAPER | JC70-00458A | 1 | O | |
| 22 | PMO-PLATE GUIDE DEVE_L | JC72-00984A | 1 | O | |
| 23 | PMO-ACTUATOR FEED | JC72-00976A | 1 | O | |
| 24 | PMO-ACTUATOR EMPTY | JC72-00975A | 1 | O | |
| 25 | PMO-ACTUATOR MANUAL | JC72-00977A | 1 | O | |
| 26 | IPR-P-GROUND_EARTH TR | JC70-00309A | 1 | X | |
| 27 | SPRING-ETC | 6107-001162 | 1 | O | |
| 28 | ROLLER-FEED ROLLER 1 | JC66-00526A | 1 | O | |
| 29 | PMO-BUSHING FEED | JC72-00382B | 4 | O | |
| 30 | ROLLER-FEED | JC66-00598A | 1 | O | |
| 31 | SPRING-TS | 6107-001165 | 1 | X | Spring-act,Manual |
| 32 | IPR-P-EARTH TRANSFER | JC70-00307A | 1 | O | |
| 33 | HOLDER-PTL | JC61-00583A | 1 | O | |
| 34 | LENS-PTL | JC67-00027A | 1 | O | |
| 35 | BUSH-M-TR L | JC61-00588A | 1 | O | |
| 36 | SPRING ETC-TR L HAWK | JC61-00047A | 1 | X | |
| 37 | SPRING-TS | 6107-001165 | 1 | X | Spring-act,Feed |
| 38 | PMO-BUSHING_TR(L) | JC72-00102A | 1 | O | |

Frame Unit Assembly Parts List(Cont.)

SA : Service Available
 O : Service available X : Service not available

| No. | Description | SEC.Code | Q'ty | SA | Remark |
|------|-----------------------|-------------|------|----|---------------------|
| 39 | IPR-P-GROUND_FUSER | JC70-00310A | 1 | O | |
| 40 | SHAFT-FEED IDLE | JC66-00527A | 1 | O | |
| 41 | BUSH-M-FEED IDLE | JC61-00585A | 2 | O | |
| 42 | SPRING ETC-TR | JC61-70958A | 2 | X | Spring Feed Idle |
| 43 | IPR-P_GROUND_DRIVE2 | JC70-00335A | 1 | O | |
| 44 | SPRING-TS | 6107-001170 | 1 | O | Spring-cam Pick-up |
| 45 | CAM-M-PICK_UP | JC66-00377A | 1 | O | |
| 46 | IPR-P-GROUND_DRIVE | JC70-00308A | 1 | O | |
| 47 | SOLENOID-HB (PICK-UP) | JC33-00009A | 1 | O | |
| 48 | SOLENOID-HB (MANUAL) | JC33-00010A | 1 | O | |
| 49 | AS-GEAR PICK_UP | JC81-01692A | 1 | O | |
| 49-1 | PMO-GEAR PICK_UP B | JC72-00980A | 1 | O | |
| 49-2 | PMO-GEAR PICK_UP A | JC72-00979A | 1 | O | |
| 49-3 | SPRING-CS | 6107-001167 | 1 | X | Spring-Pick-up gear |
| 50 | BRACKET-P-FEED | JC61-00602A | 1 | O | |
| 51 | IPR-P-GROUND_TR | JC70-00311A | 1 | O | |
| 52 | SHAFT-FEED | JC66-00398A | 2 | O | |
| 53 | RING-CS | 6044-000001 | 3 | X | |
| 54 | GEAR-FEED 2 | JC66-00394A | 1 | O | |
| 55 | GEAR-IDLE 23 | JC66-00396A | 1 | O | |
| 56 | GUIDE-P-PAPER | JC61-00718A | 1 | O | |
| 57 | FOOT-FRONT | JC61-00836A | 2 | O | |
| 58 | AS-PICK UP | JC81-01693A | 1 | O | |
| 58-1 | BUSH-M-PICK_UP L | JC61-00586A | 1 | O | |
| 58-2 | SHAFT-P-PICK_UP | JC66-00399A | 1 | O | |
| 58-3 | STOPPER-PICK_UP | JC61-00593A | 2 | X | |
| 58-4 | PMO-IDLE PICK_UP | JC72-00982A | 2 | O | |
| 58-5 | SPONGE-ROLLER PICK_UP | JC72-01231A | 1 | O | |
| 58-6 | BUSH-M-PICK_UP R | JC61-00587A | 1 | O | |
| 58-7 | HOUSING-M-PICK_UP | JC61-00591A | 1 | O | |
| 59 | MEA UNIT-CLUTCH | JC97-01788A | 1 | O | |
| 59-1 | GEAR-FEED 1 | JC66-00393A | 1 | O | |
| 59-2 | PMO-COLLAR_SPRING | JC72-00978A | 1 | O | |
| 59-3 | SPRING-TS | 6107-001171 | 1 | X | |
| 59-4 | PMO-HUB CLUTCH | JC72-00981A | 1 | O | |
| 60 | ELA HOU-FUSER_220V | JC96-03135B | 1 | O | ▲ 220V |
| | ELA HOU-FUSER_110V | JC96-03135A | 1 | O | ▲ 110V |
| 61 | RMO-RUBBER EXIT | JC73-40915A | 4 | O | |
| 62 | PBA MAIN-PTL | JC92-01620B | 1 | X | |
| 63 | IPR-GROUND_SAW | JC63-00465A | 1 | X | |

8.3 Scanner Unit Assembly



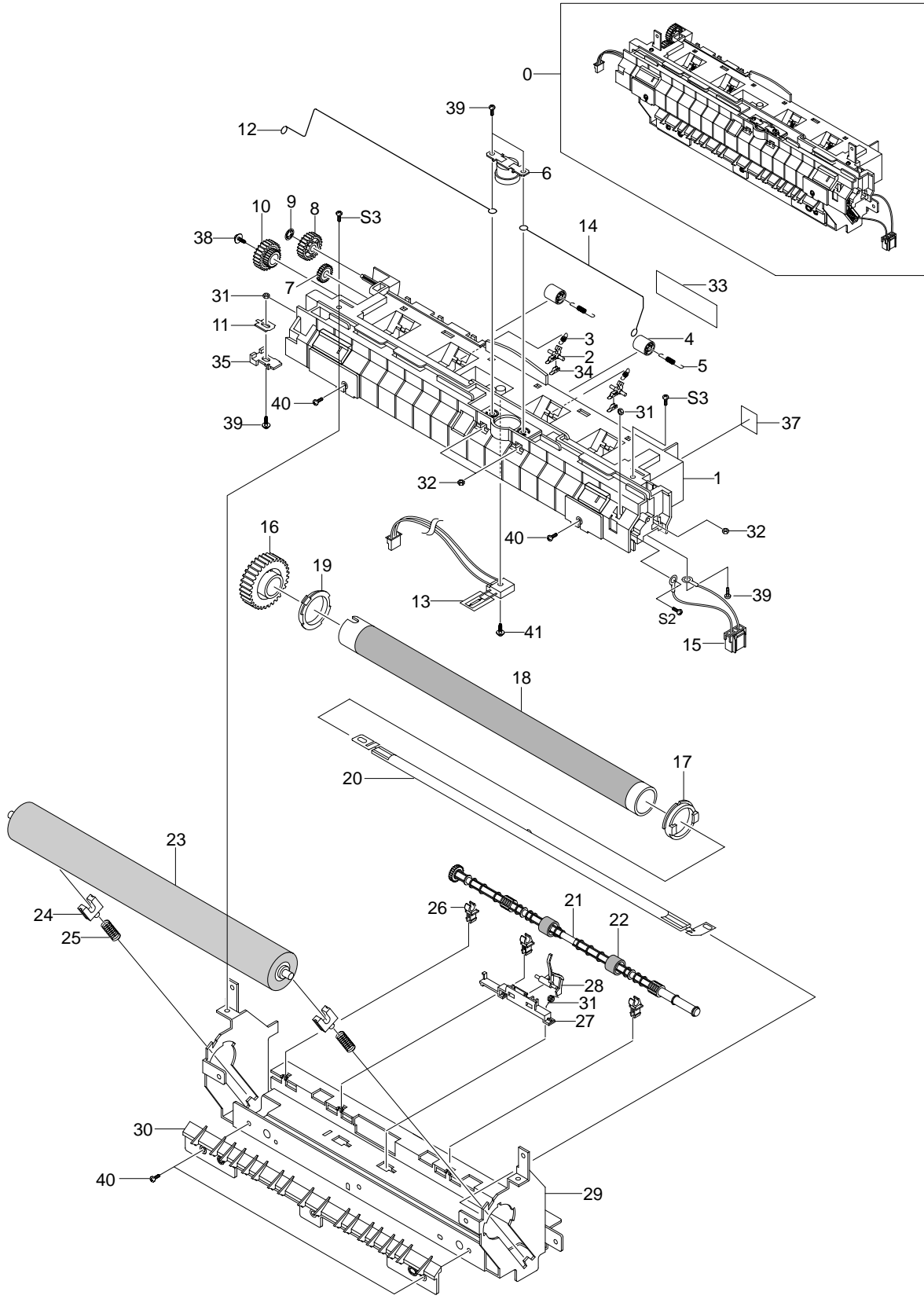
Scanner Unit Assembly Parts List

SA : Service Available

O : Service available X : Service not available

| No. | Description | SEC.Code | Q'ty | SA | Remark |
|-----|--------------------|-------------|------|----|----------|
| 0 | UNIT SCAN | JC96-03136A | 1 | O | SCX-4100 |
| 1 | COVER-M-PLATEN | JC63-00454A | 1 | X | |
| 2 | SHEET-WHITE SPONGE | JC63-00209A | 1 | O | |
| 3 | HINGE PIVOT | JC61-00929A | 2 | X | |
| 4 | COVER-M-SCAN UPPER | JC63-00452A | 1 | X | |
| 5 | GLASS SCAN | JC01-00002A | 1 | X | |
| 7 | CBF SIGNAL-CIS FFC | JC39-00358A | 1 | X | |
| 8 | CIS MODULE | 0609-001214 | 1 | O | |
| 9 | SLIDER CIS | JC66-00714A | 2 | X | |
| 10 | IPR CARRIAGE-CIS | JC70-00480A | 1 | X | |
| 11 | HOLDER CIS | JC61-00930A | 1 | X | |
| 12 | SCREW-TAPTITE | 6003-001064 | 2 | X | |
| 13 | BELT-SCANNER | JB66-00007A | 1 | O | |
| 14 | IPR-SHAFT CIS | JC66-00718A | 1 | X | |
| 15 | CAP PULLEY | JC67-00069A | 1 | X | |
| 16 | GEAR-M-PULLEY | JC66-00721A | 1 | X | |
| 17 | SCREW-TAPTITE | 6003-000269 | 2 | X | |
| 18 | BRACKET SCAN MOTOR | JC61-00952A | 1 | X | |
| 19 | MOTOR STEP-SCAN | JC31-00035A | 1 | O | |
| 20 | BRACKET SCAN L | JC61-00941A | 2 | X | |
| 21 | PULLEY IDLE | JC66-00713A | 1 | X | |
| 22 | SPRING ETC-BELT | 6107-001194 | 1 | X | |
| 23 | BRACKET PULLEY | JC61-00931A | 1 | X | |
| 24 | COVER-M-SCAN LOWER | JC63-00453A | 1 | X | |
| 25 | SCREW-TAPTITE | 6003-000269 | 4 | X | |
| 26 | SCREW-TAPTITE | 6003-000196 | 2 | X | |
| 27 | SHEET SCAN LOWER | JC63-00459A | 1 | X | |
| 28 | CBF HARNESS-OPE | JB39-40532A | 1 | X | |
| 29 | LABEL(P)-SHADING | JB68-00644A | 1 | X | |

8.4 Fuser Unit Assembly



Fuser Unit Assembly Parts List

SA : Service Available
 O : Service available X : Service not available

| No. | Description | SEC.Code | Q'ty | SA | Remark |
|-----|-----------------------------|-------------|------|----|--------|
| 0 | ELA HOU-FUSER_220V | JC96-03135B | 1 | O | ▲ 220V |
| | ELA HOU-FUSER_110V | JC96-03135A | 1 | O | ▲ 110V |
| 1 | COVER-M-FUSER | JC63-00478A | 1 | X | |
| 2 | HOLDER-M-PLATE CLAW | JC61-00584A | 4 | X | |
| 3 | SPRING ETC-CLAW | JC61-00064A | 4 | X | |
| 4 | PMO-ROLLER EXIT | JC72-40361A | 2 | X | |
| 5 | SPRING ETC-FUSER EXIT | JC61-70976A | 2 | X | |
| 6 | THERMOSTAT-150 | JC47-00005A | 1 | O | |
| 7 | PMO-GEAR_EXIT_DRV16 | JC72-00143A | 1 | X | |
| 8 | GEAR-IDLE 23 | JC66-00396A | 1 | X | |
| 9 | RING-CS | 6044-000001 | 1 | X | |
| 10 | GEAR-RDCN 25/15 | JC66-00397A | 1 | O | |
| 11 | ELECTRODE_LAMP2 | JC70-00466A | 1 | X | |
| 12 | ELECTRODE-WIRE_L | JC70-00450A | 1 | X | |
| 13 | THERMISTOR-NTC | 1404-001298 | 1 | O | |
| 14 | ELECTRODE-WIRE_R | JC70-00449A | 1 | X | |
| 15 | CBF HARNESS-FUSER 110V | JC39-00239A | 1 | O | ▲ 110V |
| | CBF HARNESS-FUSER 220V | JC39-00238A | 1 | O | ▲ 220V |
| 16 | GEAR-FUSER | JC66-00037C | 1 | X | |
| 17 | BUSH-M-HR L | JC61-00948A | 1 | X | |
| 18 | ROLLER-HEAT | JC71-00012B | 1 | O | |
| 19 | BUSH-M-HR R | JC61-00947A | 1 | O | |
| 20 | LAMP-HALOGEN_110V | 4713-001182 | 1 | O | ▲ 110V |
| | LAMP-HALOGEN_220V | 4713-001183 | 1 | O | ▲ 220V |
| 21 | ROLLER-M-EXIT F/UP | JC66-00380A | 1 | X | |
| 22 | RUBBER EXIT | JC73-00017A | 2 | X | |
| 23 | ROLLER-PRESSURE | JC66-00731A | 1 | O | |
| 24 | BEARING-PRESSURE/R | JC66-10901A | 2 | X | |
| 25 | SPRING-ETC-BEARING PR | JC61-00453A | 2 | O | |
| 26 | PMO-BUSHING TX | JC72-00382A | 3 | X | |
| 27 | HOLDER-ACTUATOR | JC61-00581A | 1 | X | |
| 28 | PMO-ACTUATOR_EXIT | JC72-00987A | 1 | O | |
| 29 | FRAME_FUSER | JC61-00946A | 1 | X | |
| 30 | GUIDE-M-INPUT | JC61-00595A | 1 | X | |
| 31 | SPRING-TS | 6107-001165 | 1 | X | |
| 32 | NUT-HEXAGON | 6021-000222 | 5 | X | |
| 33 | LABEL(P)-CAUTION, HOT_FUSER | JC68-30928D | 1 | X | |
| 34 | PLATE-P-CLAW | JC61-00605A | 4 | X | |
| 35 | COVER-LAMP_L | JC63-00521A | 1 | X | |

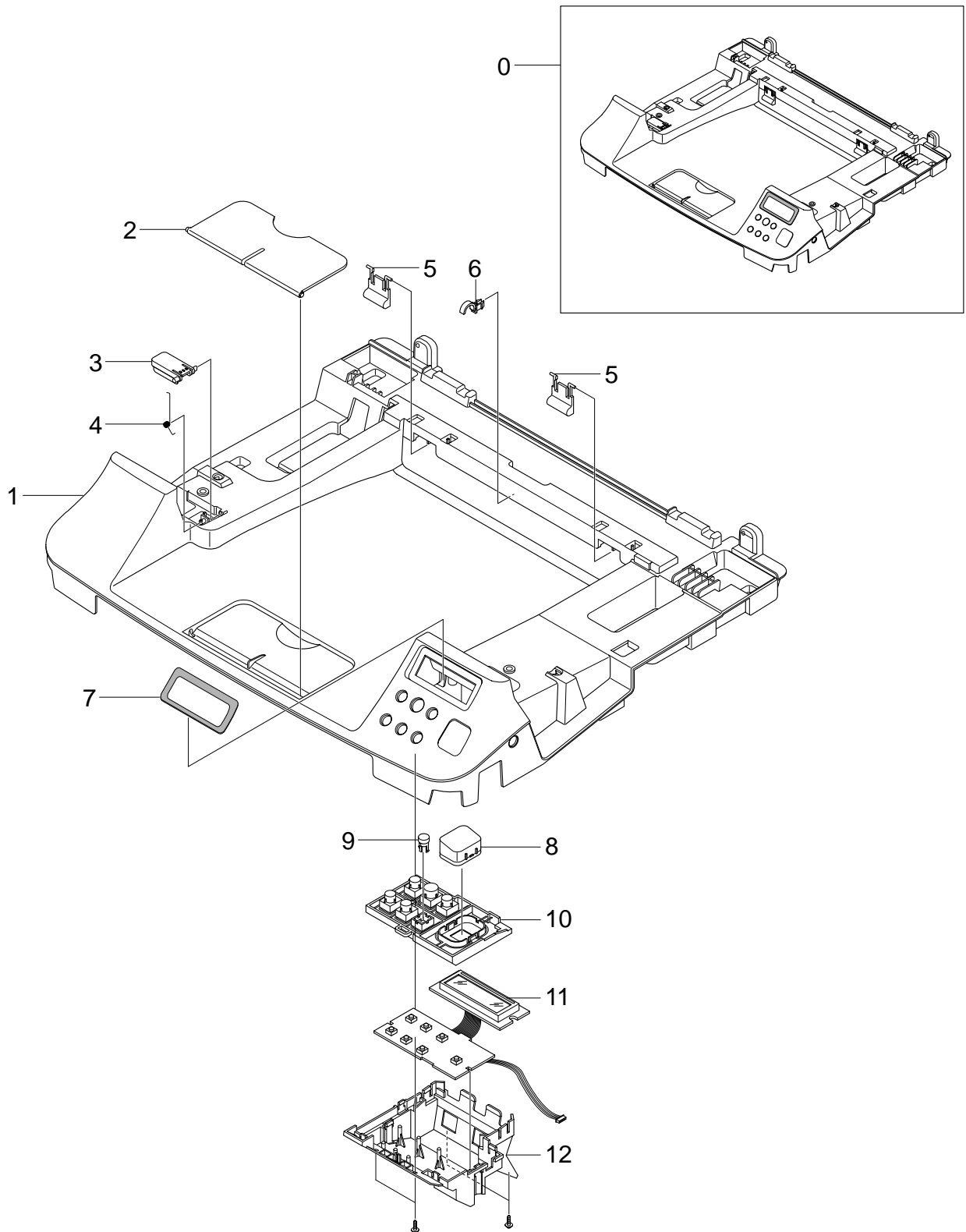
Fuser Unit Assembly Parts List

SA : Service Available

O : Service available **X** : Service not available

| No. | Description | SEC.Code | Q'ty | SA | Remark |
|-----|-------------------|-------------|------|----|--------|
| 36 | WASHER-PLAIN | 6031-001051 | 1 | X | |
| 37 | LABEL(R)-HV FUSER | JC68-00407A | 1 | X | |
| 38 | SCREW-TAPTITE | 6006-001078 | 1 | X | |
| 39 | SCREW-MACHINE | 6006-001193 | 5 | X | |
| 40 | SCREW-TAPTITE | 6603-000269 | 6 | X | |
| 41 | SCREW-TAPTITE | 6003-000196 | 1 | X | |

8.5 Middle Cover Unit Assembly



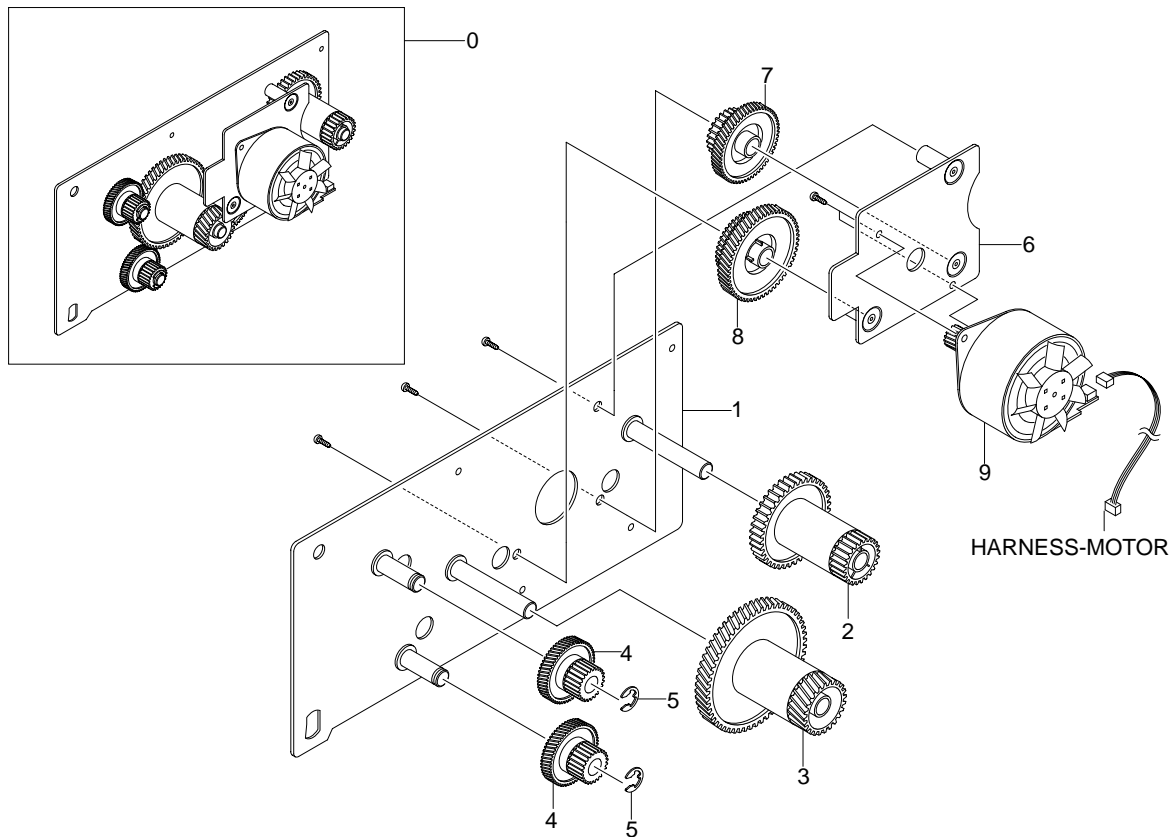
Middle Cover Unit Assembly Parts List

SA : Service Available

O : Service available X : Service not available

| No. | Description | SEC.Code | Q'ty | SA | Remark |
|-----|-----------------------------|-------------|------|----|--------|
| 0 | MEA UNIT-COVER MIDDLE | JC97-01958A | 1 | O | |
| 1 | COVER-M_MIDDLE | JC63-00473A | 1 | X | |
| 2 | PMO-STACKER | JC72-01340A | 1 | X | |
| 3 | STOPPER-M-LEVER | JC61-00949A | 1 | X | |
| 4 | SPRING ETC-TS-CHARGE APOLLO | JC61-00026A | 1 | X | |
| 5 | PMO-SUB_M_STACKER | JC72-01343A | 2 | X | |
| 6 | PMO-BUSHING_F/DOWN | JC72-00387A | 1 | O | |
| 7 | WINDOW-M LCD | JC64-00153A | 1 | X | |
| 8 | KEY-M_START | JC64-00151A | 1 | X | |
| 9 | KEY-M_STOP | JC64-00150A | 1 | X | |
| 10 | KEY-M_MENU | JC64-00152A | 1 | X | |
| 11 | PBA SUB-PANEL | JC92-01586A | 1 | O | |
| 12 | COVER-M-PANEL | JC63-00474A | 1 | X | |

8.6 Drive Unit Assembly

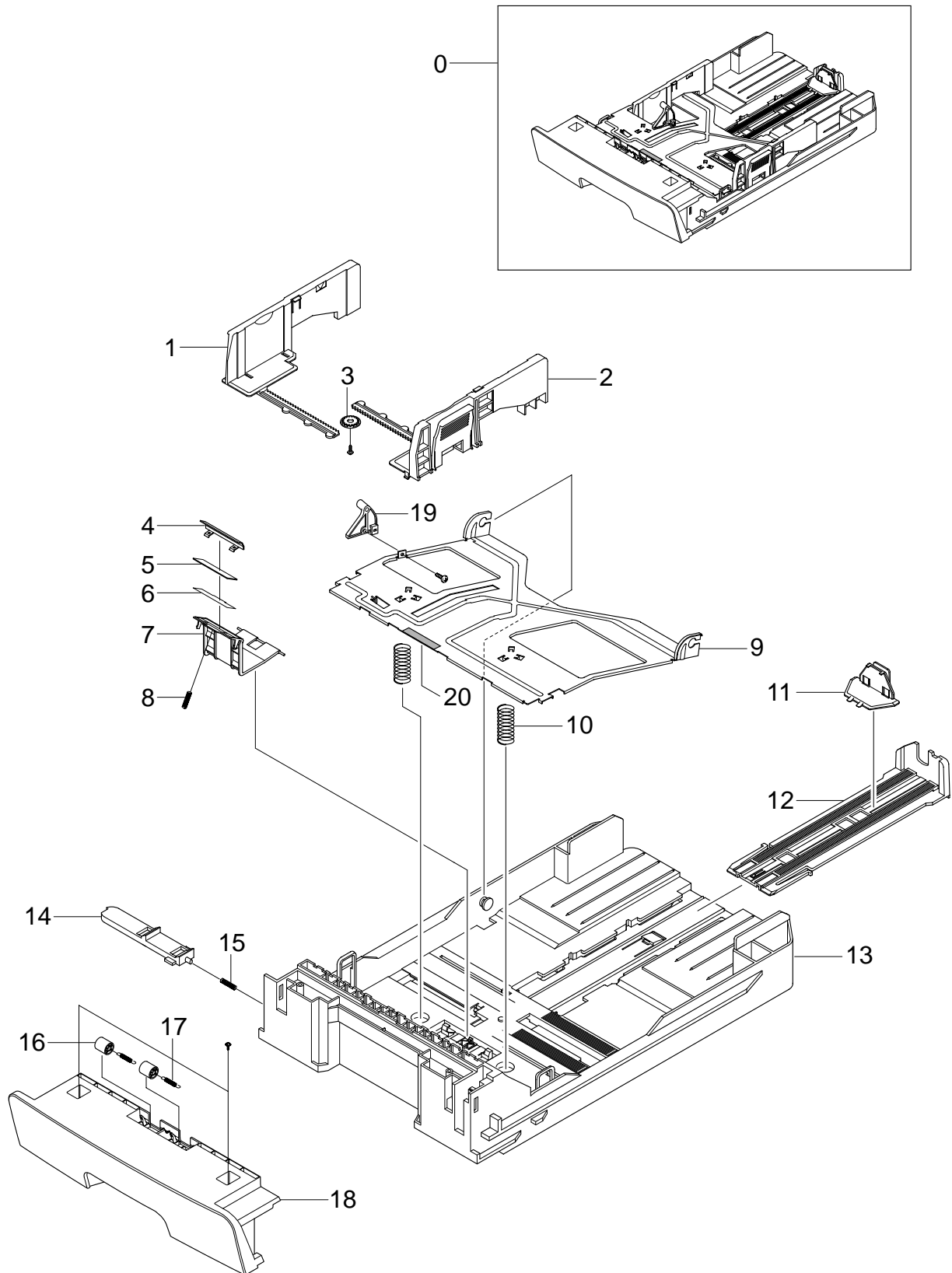


Drive Unit Assembly Parts List

SA : Service Available
 O : Service available X : Service not available

| No. | Description | SEC.Code | Q'ty | SA | Remark |
|-----|----------------------|-------------|------|----|--------|
| 0 | ELA UNIT-DRIVE | JC96-03138A | 1 | O | |
| 1 | BRACKET-P-GEAR 1400 | JC61-00598A | 1 | O | |
| 2 | GEAR-RDCN 53/26 | JC66-00388A | 1 | O | |
| 3 | GEAR-RDCN 113/33 | JC66-00391A | 1 | O | |
| 4 | GEAR-RDCN 57/18 | JC66-00389A | 2 | O | |
| 5 | WASHER-PLAIN | 6031-000023 | 2 | X | |
| 6 | BRACKET-P-MOTOR 1400 | JC61-00599A | 1 | X | |
| 7 | GEAR-RDCN 103/41 | JC66-00390A | 1 | O | |
| 8 | GEAR-RDCN 90/31 | JC66-00392A | 1 | O | |
| 9 | MOTOR STEP 7.5 | JC31-00020A | 1 | O | |
| 10 | PMO-IMPELLER_DRV | JC72-00825A | 1 | X | |

8.7 Cassette Unit Assembly



Cassette Unit Assembly Parts List

SA : Service Available

O : Service available X : Service not available

| No. | Description | SEC.Code | Q'ty | SA | Remark |
|-----|-------------------------|-------------|------|----|--------|
| 0 | MEA UNIT-CASSETTE_MB | JC97-01914A | 1 | O | |
| 1 | ADJUST-M-CASSETTE_L | JC70-00300A | 1 | O | |
| 2 | ADJUST-M-CASSETTE_R | JC70-00301A | 1 | O | |
| 3 | GEAR-PINION | JG66-40003A | 1 | O | |
| 4 | IPR-PLATE PAD | JC70-00314A | 1 | O | |
| 5 | RPR-FRICTION PAD | JC73-00140A | 1 | O | |
| 6 | SHEET-HOLDER PAD | JC63-00290A | 1 | X | |
| 7 | HOLDER-M-PAD | JC61-00580A | 1 | O | |
| 8 | SPRING ETC-LOCKER,PLATE | JG61-70531A | 1 | O | |
| 9 | PLATE-P-KNOCK_UP | JC61-00603A | 1 | X | |
| 10 | SPRING-CS | 6107-001166 | 2 | X | |
| 11 | PMO-EXTENSION SMALL | JC72-00971A | 1 | O | |
| 12 | GUIDE-M-EXTENSION L2 | JC61-00918B | 1 | X | |
| 13 | FRAME-M_CASSETTE | JC61-00876A | 1 | X | |
| 14 | PMO-PLATE_LOCKER | JC72-00972A | 1 | O | |
| 15 | SPRING ETC-EXIT ROLL FD | JC61-70911A | 1 | X | |
| 16 | ROLLER-M-IDLE FEED | JC66-00529A | 2 | O | |
| 17 | SPRING-ES | 6107-001047 | 2 | X | |
| 18 | GUIDE-M_CASSETTE | JC61-00944A | 1 | X | |
| 19 | CAM-M-KNOCK_UP | JC66-00719A | 1 | X | |
| 20 | RPR-PAD CASSETTE | JC73-00141A | 1 | X | |