

S4500 BJ F6600 PARTS CATALOG

REVISION 0

Q30-3440-230	220V-240V(EUR)
Q30-3440-231	220V-240V(DE)
Q30-3440-232	220V-240V(FR)
Q30-3440-233	220V-240V(ASA HVT)
Q30-3440-240	220V-240V(AU)
Q30-3440-260	220V-240V(KR)
Q30-3440-280	220V-240V(GB)
Q30-3441-210	100V 50/60HZ(JP)
Q30-3442-223	120V(TW)
Q30-3442-250	220V-240V(HK)

Canon

SEPT. 2000

QY8-31SM-000

A. PARTS LAYOUT & PARTS LIST

FIGURE 1 PRINTER & ACCESSORIES

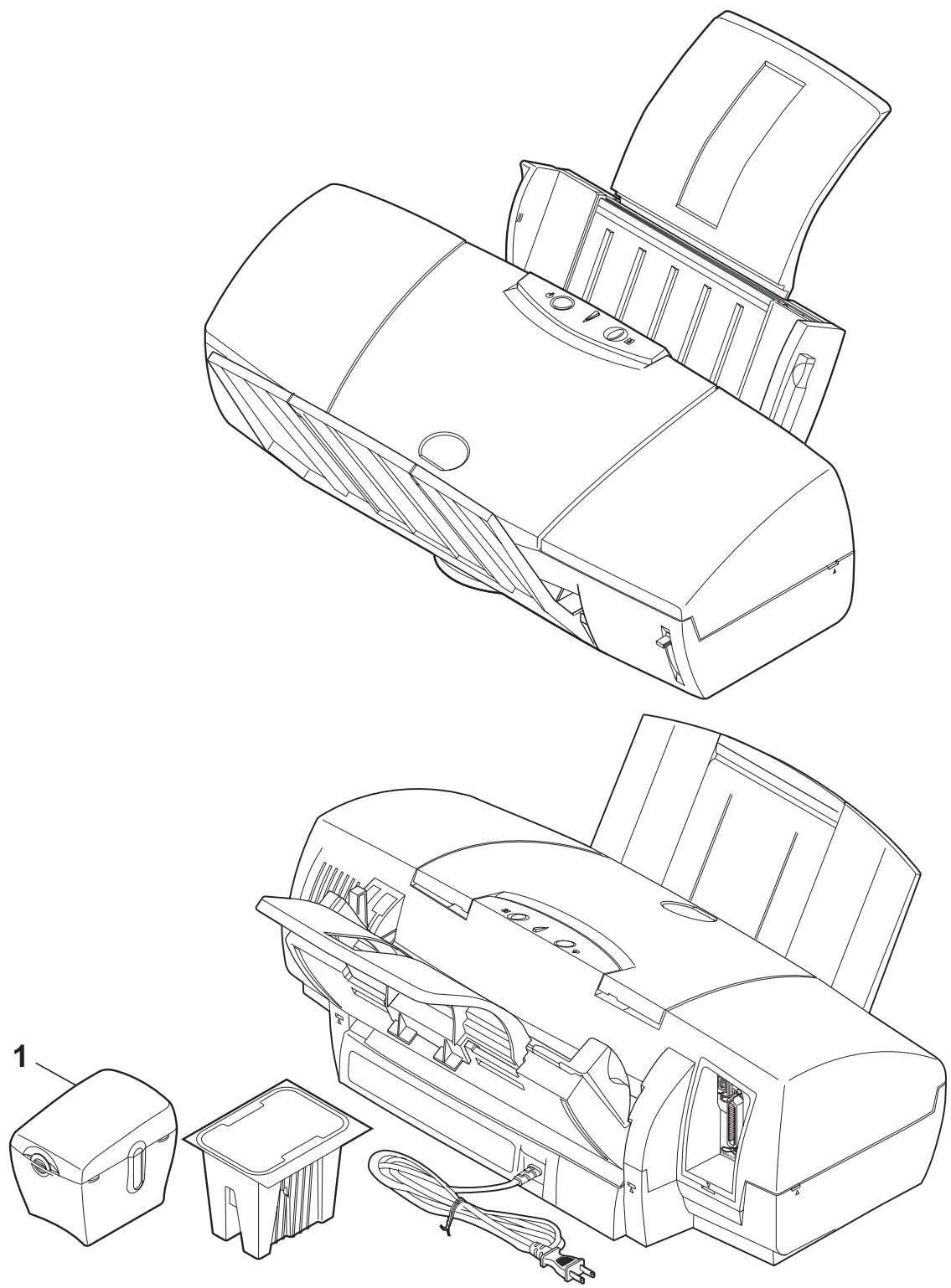


FIGURE 2 FRONT COVER

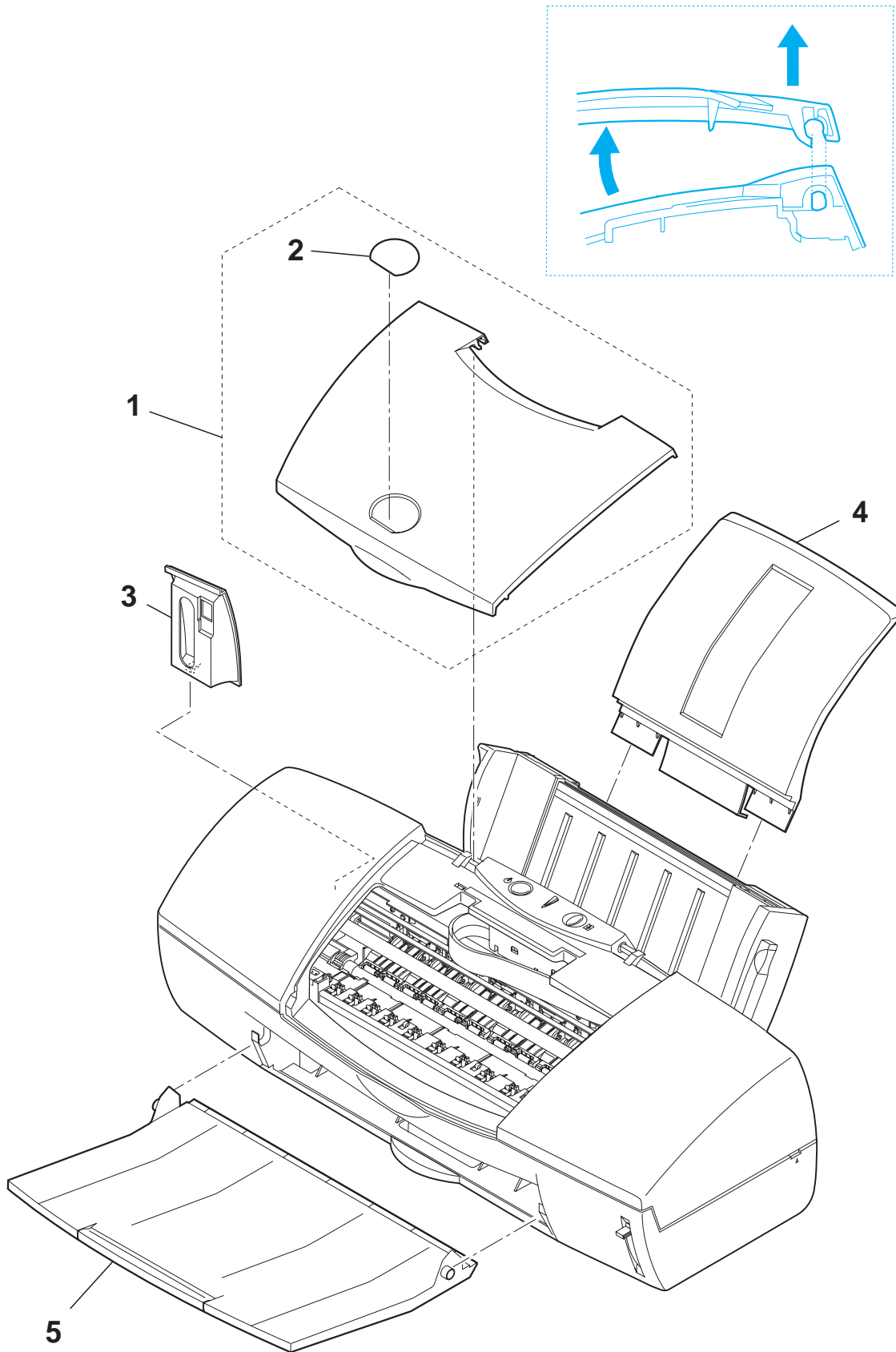


FIGURE 3 UPPER COVER

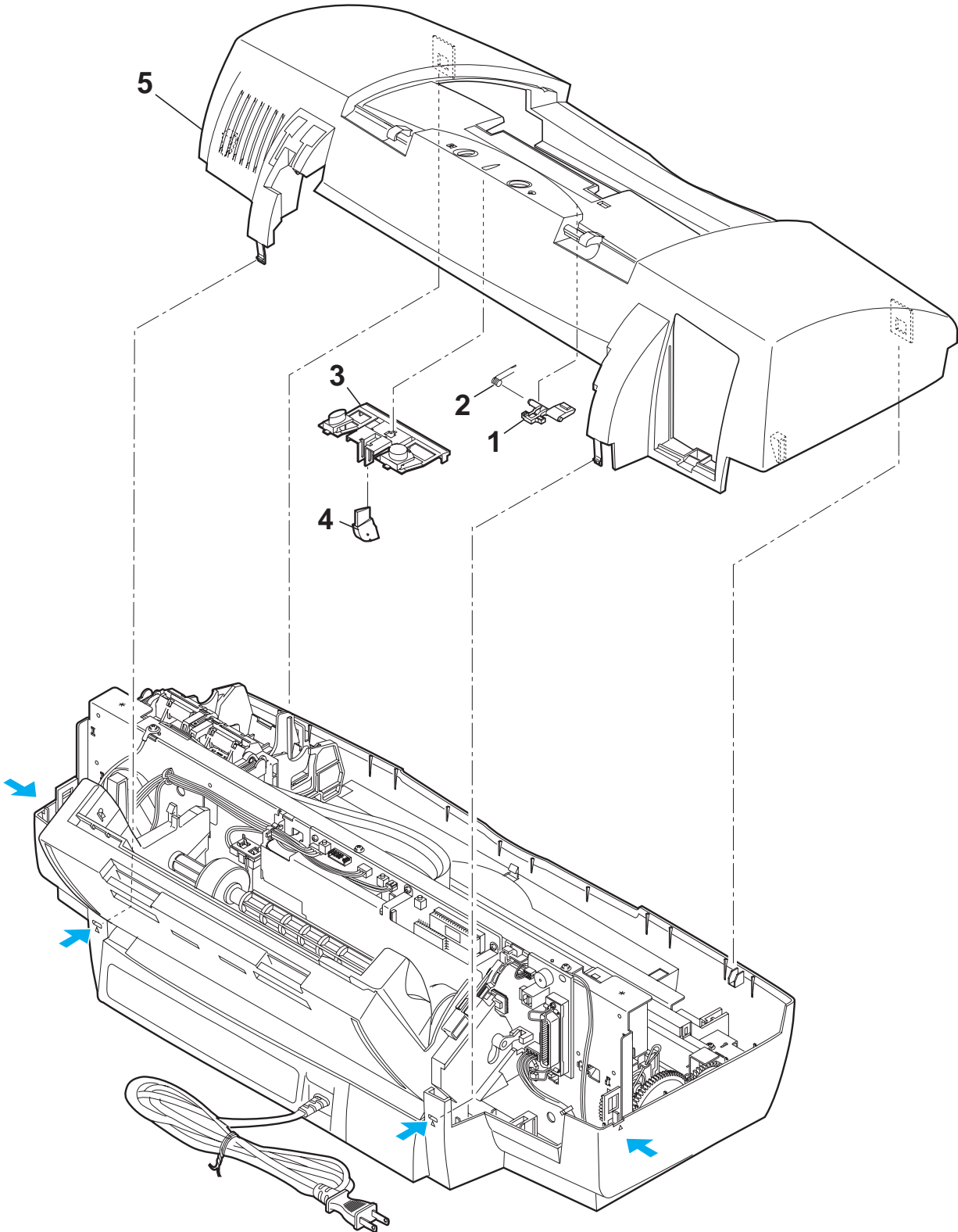


FIGURE 4 LOGIC BOARD

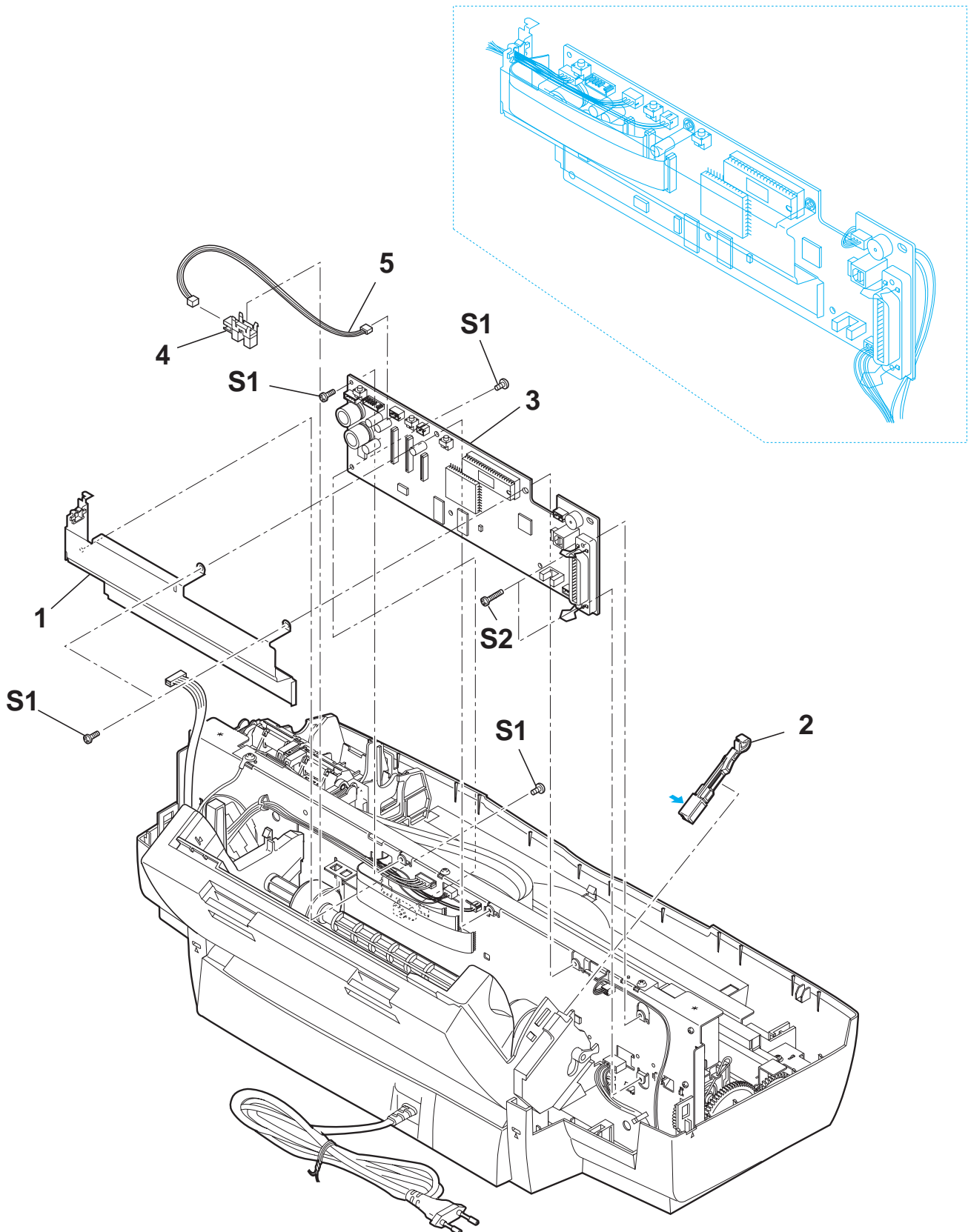


FIGURE 5 BOTTOM CASE

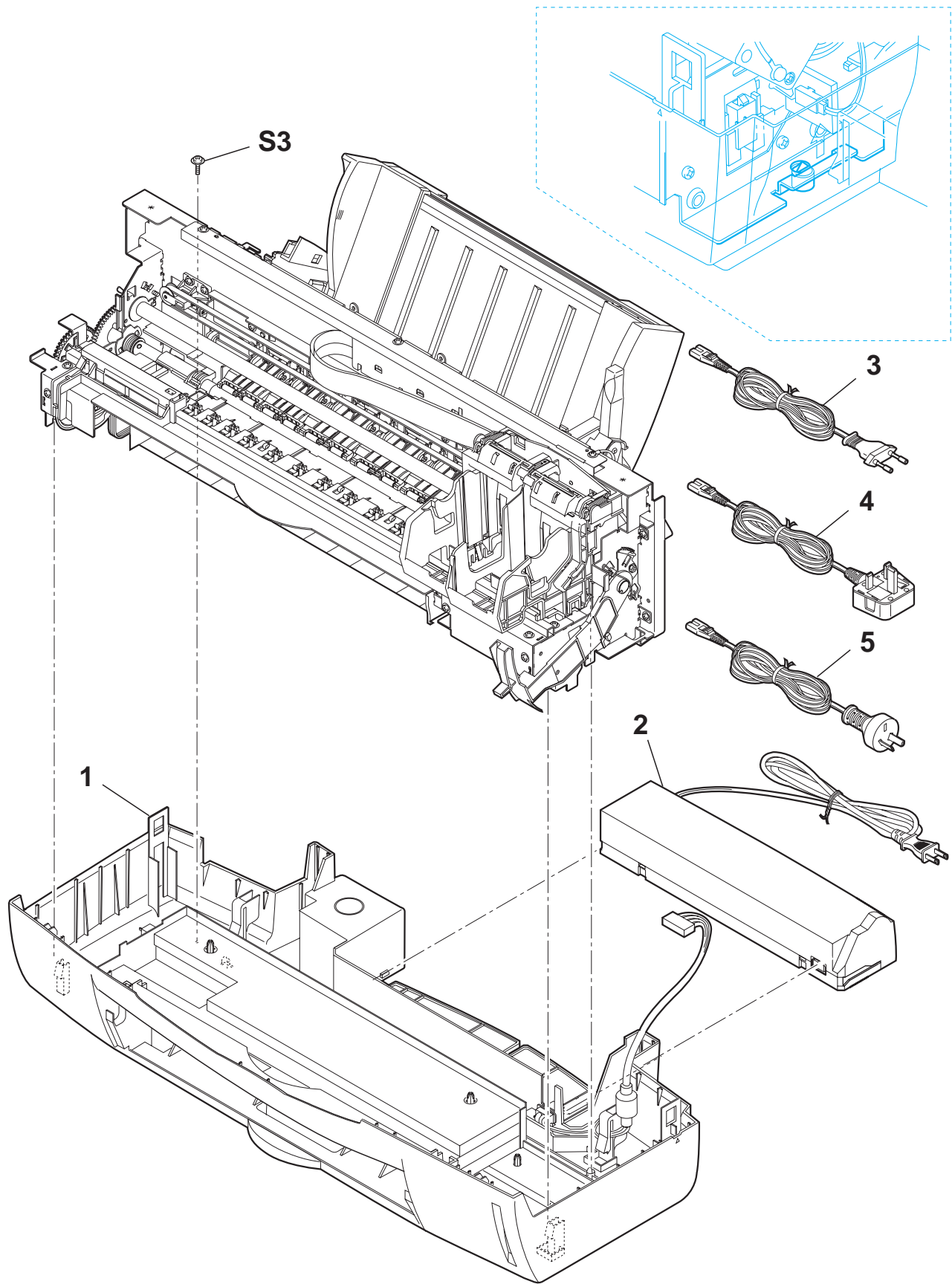


FIGURE & KEY NO.	PART NUMBER	RANK	QTY	DESCRIPTION	REMARKS
5 - 1 2	QG5-1597-000		1	BOTTOM CASE UNIT	(WITH FOOT)
	QG5-1598-000		1	BOTTOM CASE UNIT	(WITH FOOT) TWN,HK
	QH3-3454-000		1	AC ADAPTER: 100/120V 50/60HZ	TWN (WITH CORD)
	QH3-3456-000		1	AC ADAPTER: 220/240V 50/60HZ	ASA HVT, AUST, HK
	QH3-3458-000		1	AC ADAPTER: 100V 50/60HZ	(WITH CORD)
3 4 5	QH3-3459-000		1	AC ADAPTER: 220/240V 50/60HZ	
	WT3-5120-000		1	CORD, POWER	220V-240V
	WT3-5121-000		1	CORD, POWER	220V-240V(UK)
	WT3-5060-000		1	CORD, POWER	220V-240V (AUS)

FIGURE 6 WASTE INK ABSORBER

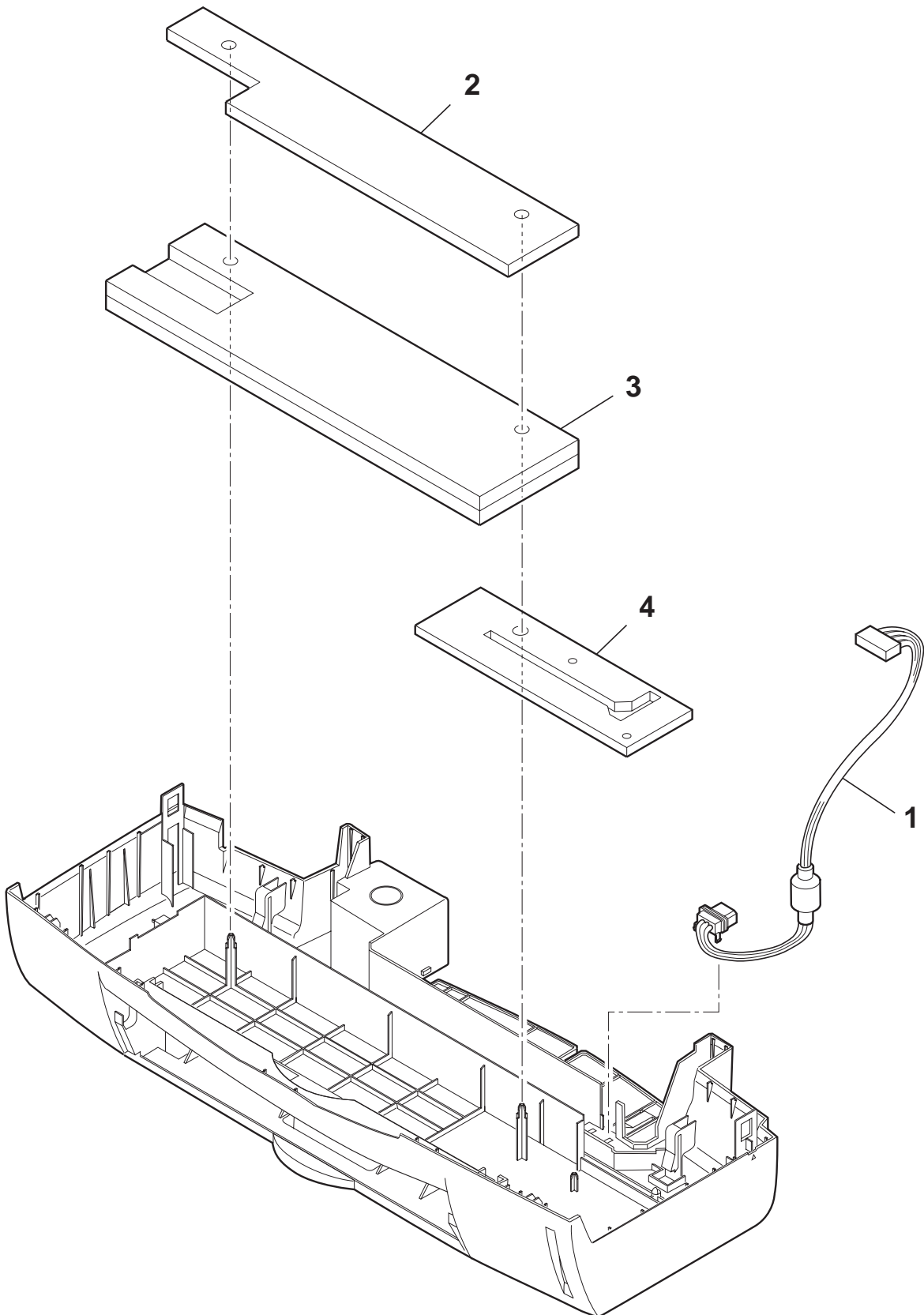


FIGURE 7 PURGE UNIT

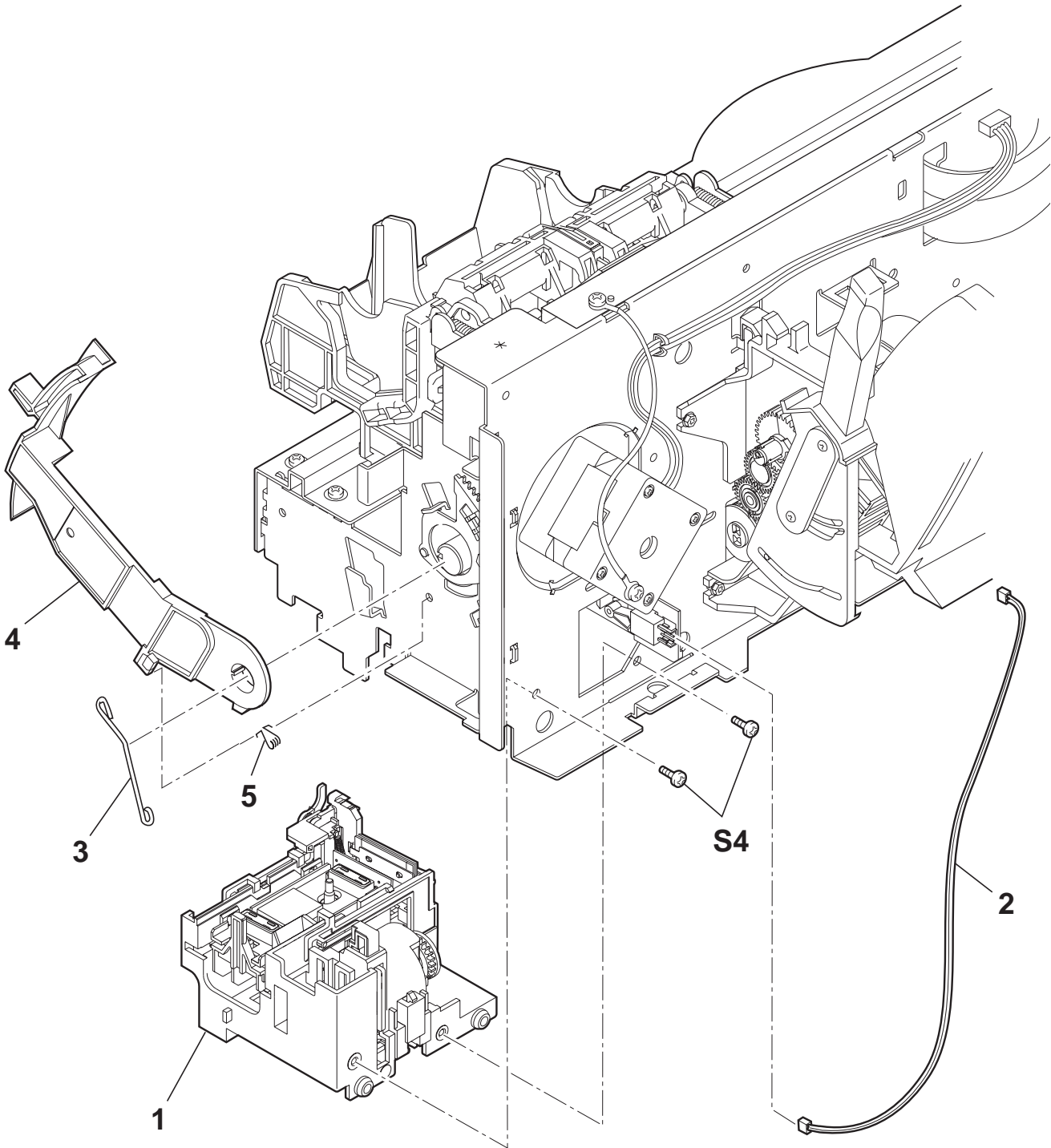


FIGURE 8 CARRIAGE UNIT

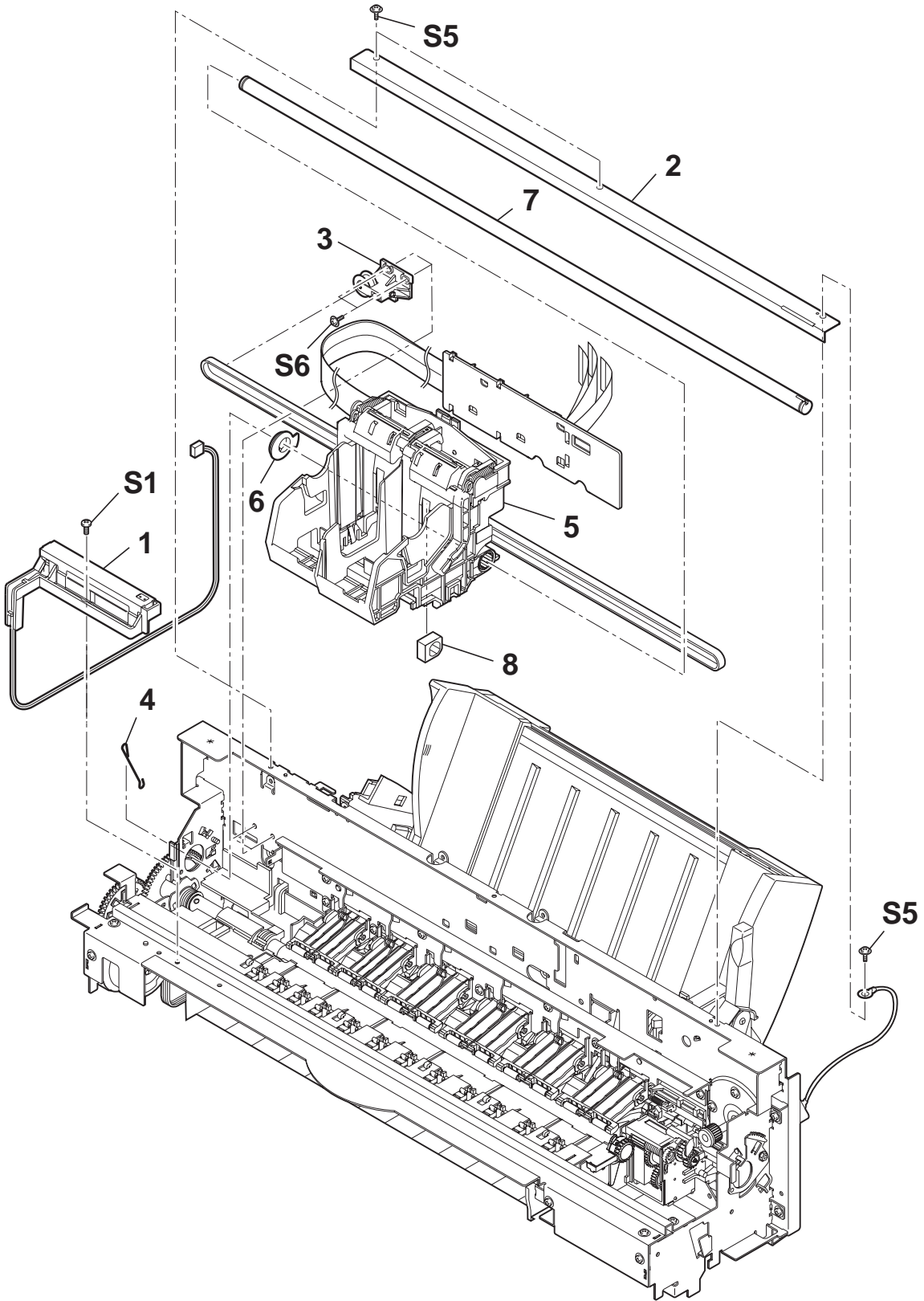


FIGURE & KEY NO.	PART NUMBER	R A N K	Q T Y	DESCRIPTION	REMARKS
8 - 1	QG2-3110-000	N	1	INK SENSOR ASS'Y	(WITH BELT)
2	QB1-4125-000		1	FRAME, CARRIAGE GUIDE	
3	QF5-0451-000		1	IDLER ROLLER ASS'Y	
4	QB1-4679-000		1	CLIP, SHAFT	
5	QG5-1397-000		1	CARRIAGE UNIT	
6	QB1-3675-000	N	1	BUSHING	
7	QB1-4123-020		1	SHAFT, CARRIAGE	
8	QB1-3684-000		1	PAD, GREASE	

FIGURE 9 CARRIAGE PART

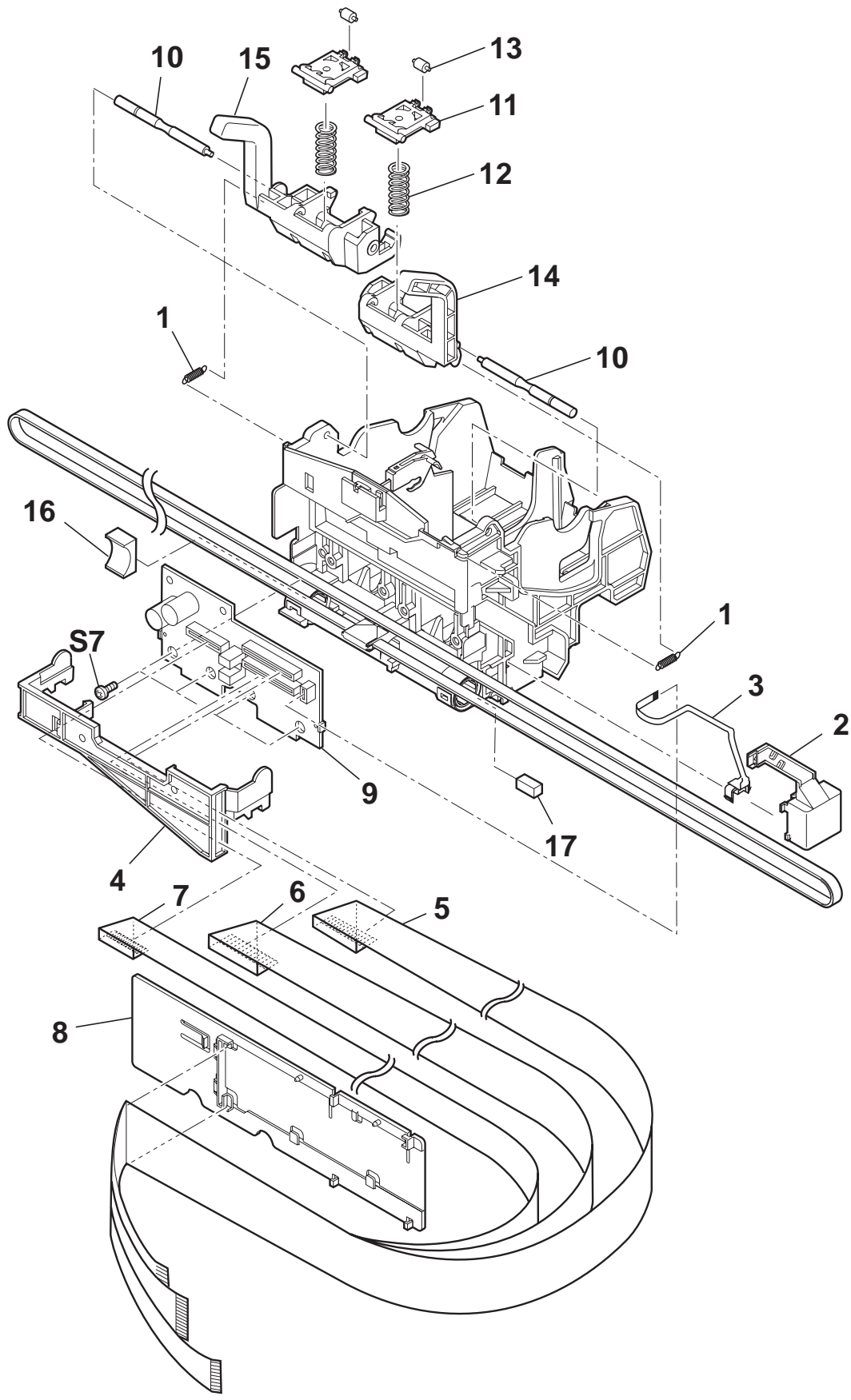


FIGURE & KEY NO.	PART NUMBER	RANK	QTY	DESCRIPTION	REMARKS
9 - 1	QS5-2147-000		2	SPRING, HOOK END COIL	
2	QB1-3673-000		1	HOLDER, SENSOR	
3	QG2-3037-000		1	REGISTRATION SENSOR ASS'Y	
4	QB1-3668-000		1	GUIDE, RIBBON CABLE	
5	QH2-2363-000		1	CARRIAGE RIBBON CABLE	
6	QH2-2364-000		1	CARRIAGE RIBBON CABLE	
7	QH2-2365-000		1	CARRIAGE RIBBON CABLE	
8	QB1-4121-000		1	HOLDER, CARRIAGE RIBBON CABLE	
9	QG2-3086-000		1	CARRIAGE BOARD ASS'Y	
10	QB1-3749-000	N	2	SHAFT, LOCKING LEVER	
11	QB1-3664-000	N	2	PLATE, LOCKING LEVER	
12	QS5-2146-000	N	2	SPRING, COIL	
13	QB1-3665-000	N	2	ROLLER, LOCKING LEVER	
14	QB1-3662-000		1	LEVER, LOCKING(L)	
15	QB1-3663-000		1	LEVER, LOCKING(R)	
16	QB1-3692-000		1	ABSPRBER, GREASE(R)	
17	QB1-4154-000		1	ABSORBER, GREASE(L)	

FIGURE 10 PRESSURE ROLLER PART

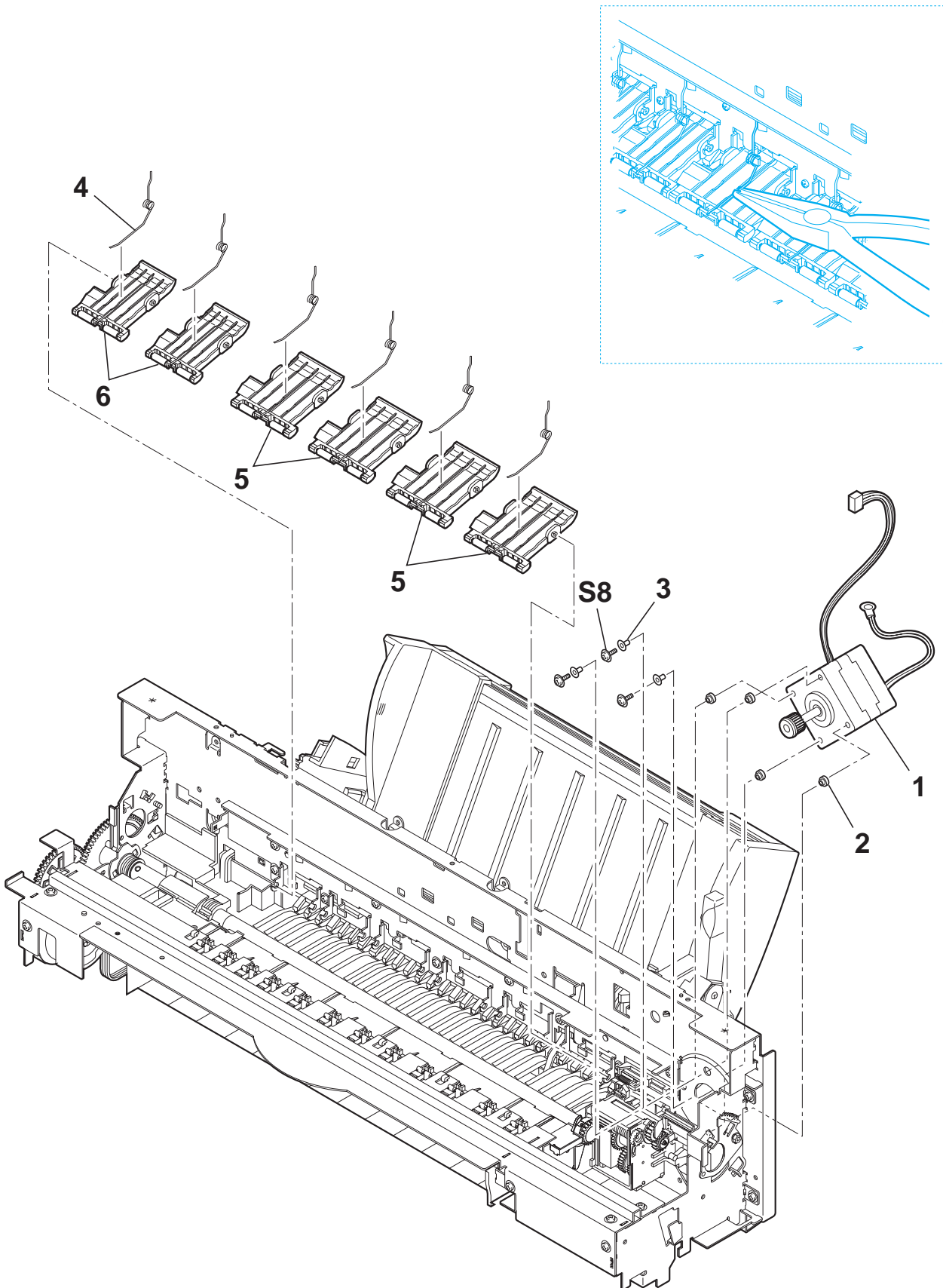


FIGURE 11 ASF UNIT

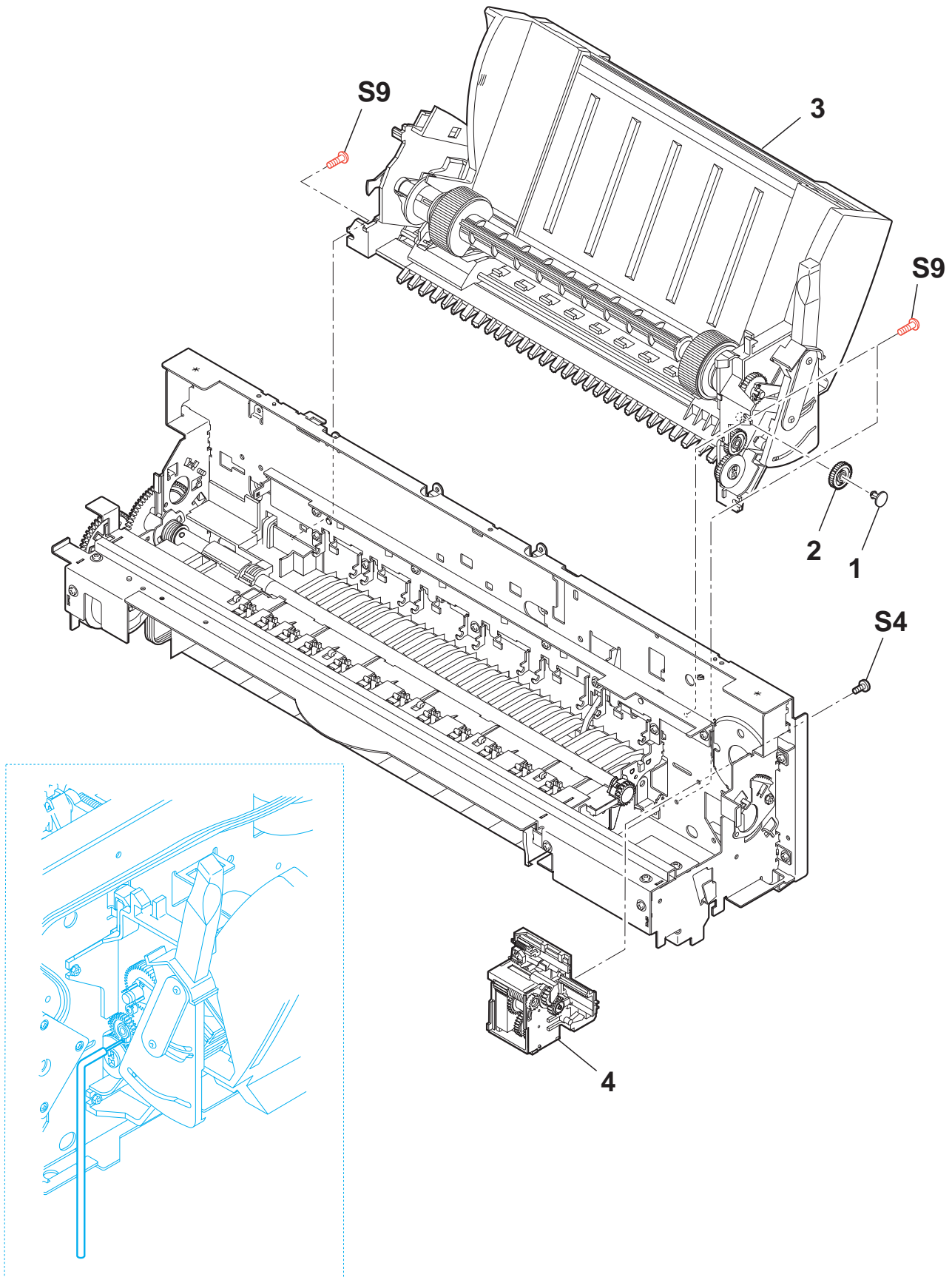


FIGURE 12 PAPER FEED UNIT (1)

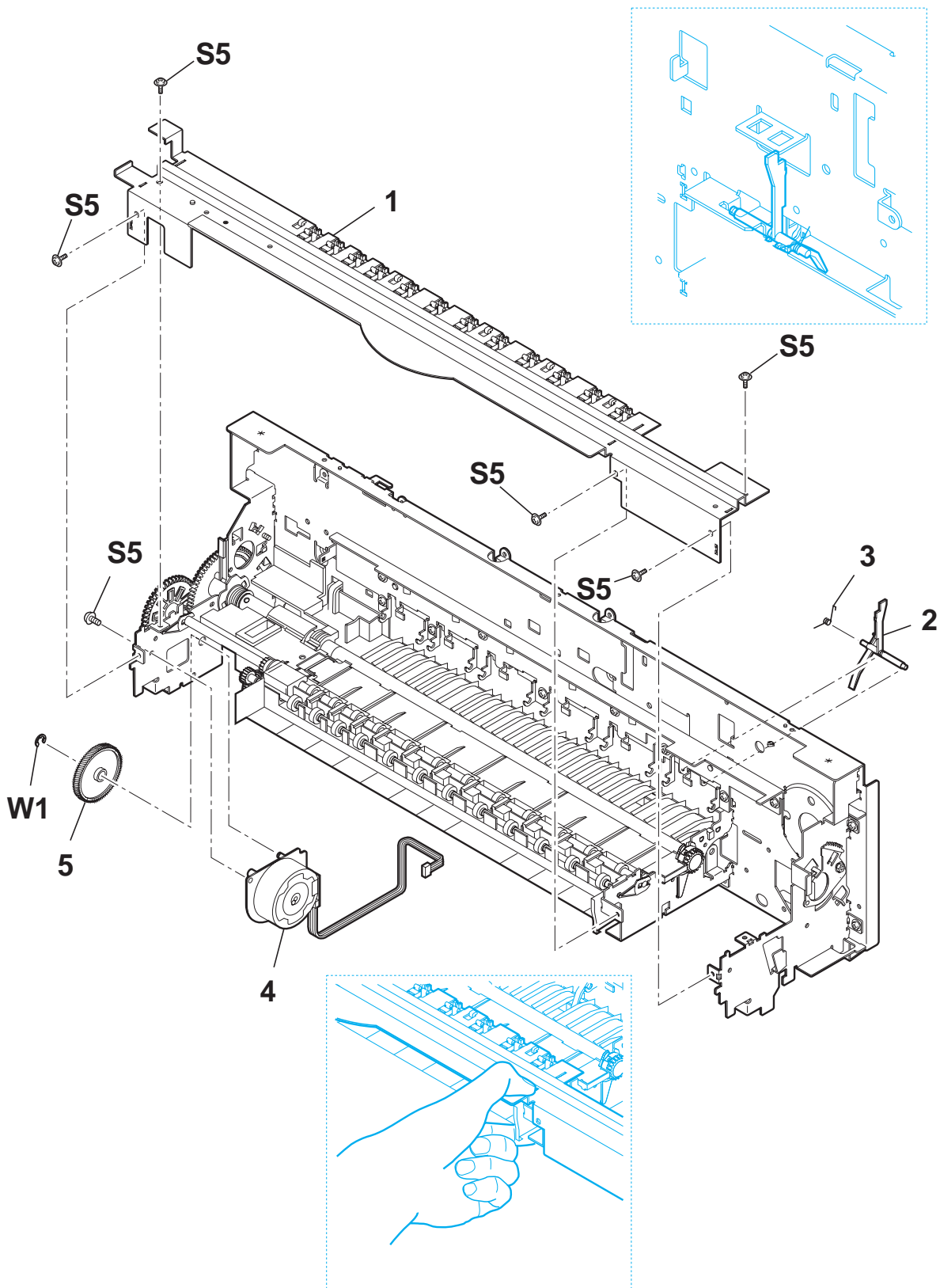


FIGURE 13 PAPER FEED UNIT (2)

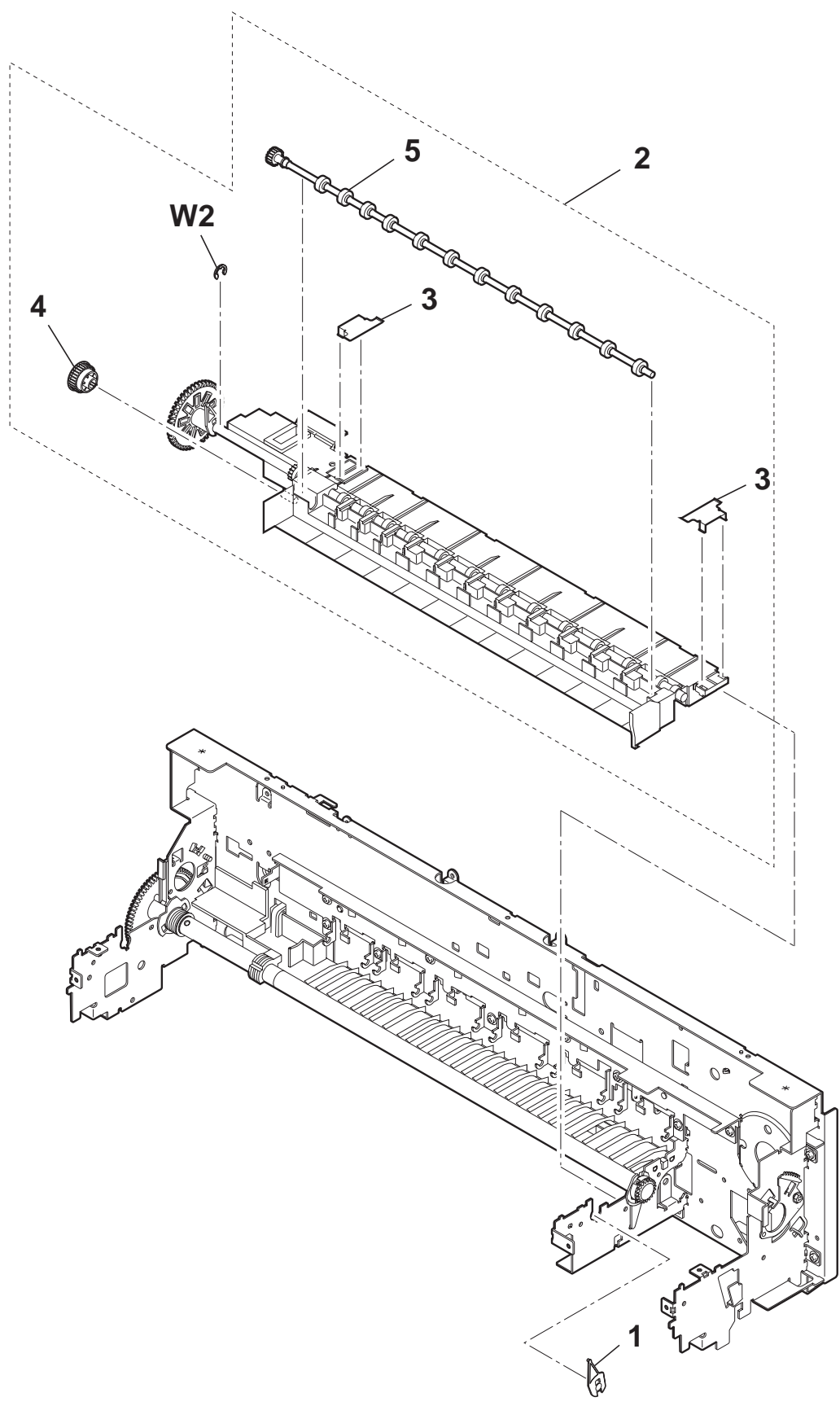


FIGURE & KEY NO.	PART NUMBER	R A N K	Q T Y	DESCRIPTION	REMARKS
13 - 1 2 3 4 5	QB1-3628-000 QG5-1396-020 QB1-4128-000 QS5-0177-000 QB1-4112-020		1 1 2 1 1	BUSHING PLATEN UNIT PLATE, PAPER GUIDE GEAR, TRANSMISSION ROLLER, EJECT	

FIGURE 14 PAPER FEED UNIT (3)

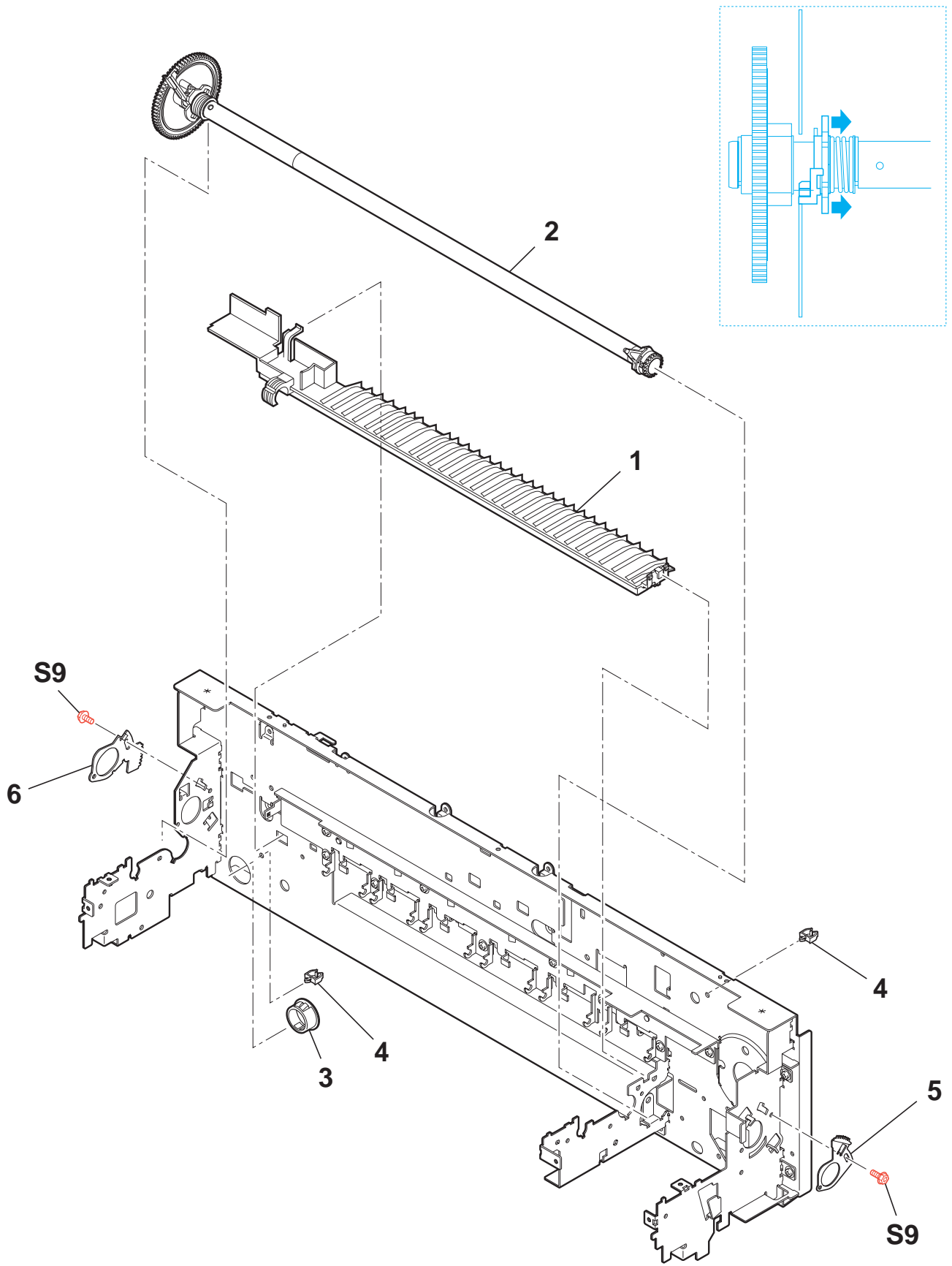
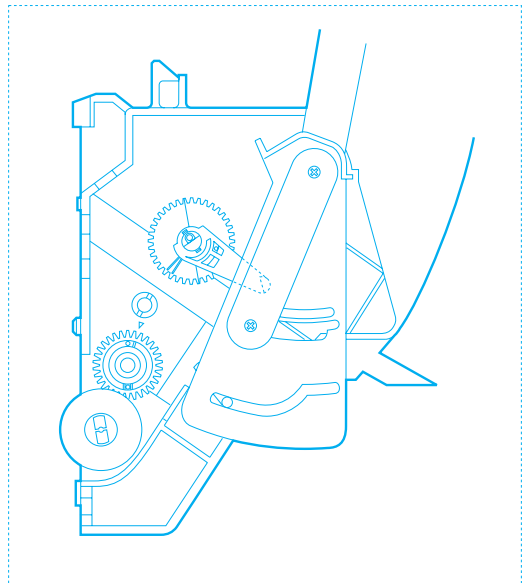
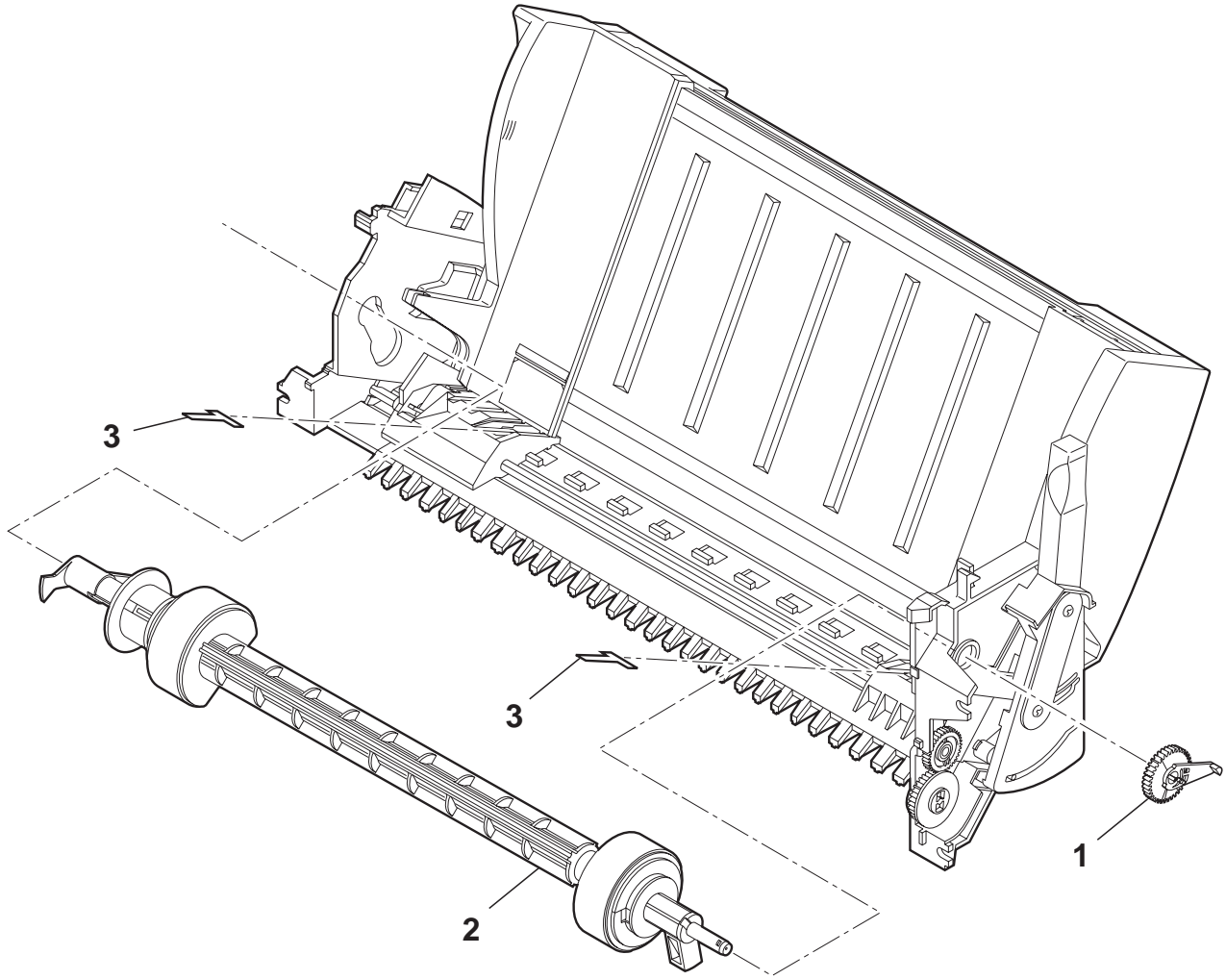


FIGURE 15 ASF PART



B. OPTIONS & CONSUMABLES

FIGURE 17 OPTION & CONSUMABLES

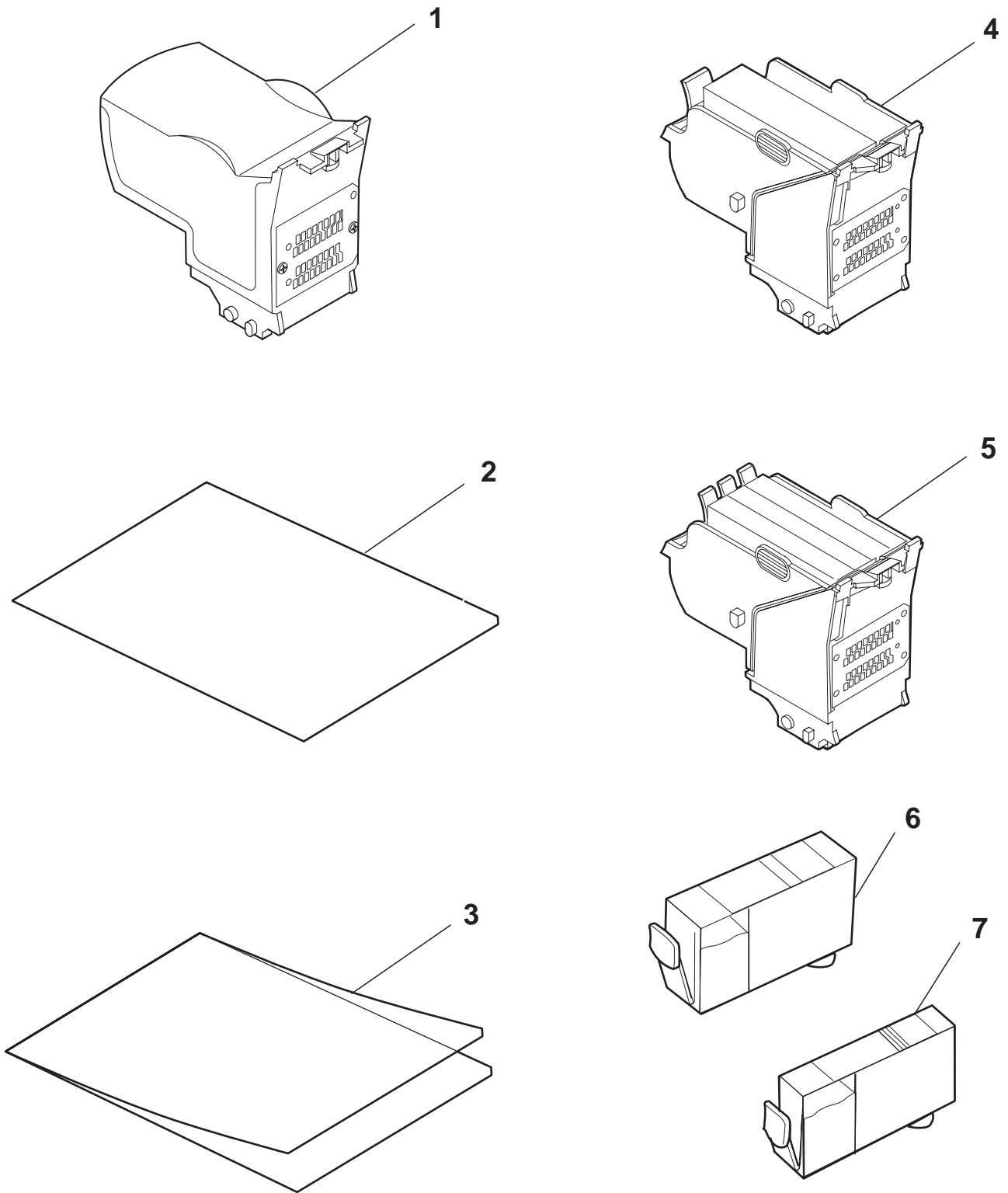


FIGURE & KEY NO.	PART NUMBER	RANK	QTY	DESCRIPTION	REMARKS
17 - 1	QG3-4005-000	N	1	SCANNING CARTRIDGE	
2	QA2-4532-000		1	SHEET, WHITE STANDARD	
3	QA2-4623-000		1	HOLDER, PLASTIC (III)	A4
	QA2-4628-000	N	1	HOLDER, SCANNING	B5
	QA2-6068-000	N	1	HOLDER, SCANNING	A3/LDR
4	NPN		1	BLACK BJ CARTRIDGE BC-30e	CONSUMABLES
5	NPN		1	COLOR BJ CARTRIDGE BC-31e	CONSUMABLES
	NPN		1	PHOTO BJ CARTRIDGE BC-32e PHOTO	CONSUMABLES
6	NPN		1	BLACK INK TANK BCI-3eBK	CONSUMABLES
7	NPN		1	CYAN INK TANK BCI-3eC	CONSUMABLES
	NPN		1	MAGENTA INK TANK BCI-3eM	CONSUMABLES
	NPN		1	YELLOW INK TANK BCI-3eY	CONSUMABLES
	NPN		1	PHOTO CYAN INK TANK BCI-3ePC	CONSUMABLES
	NPN		1	PHOTO MAGENTA INK TANK BCI-3ePM	CONSUMABLES
	NPN		1	PHOTO BLACK INK TANK BCI-3ePBK	CONSUMABLES