

MP 2014AD
(D247)
Parts Catalog

Parts change information sample

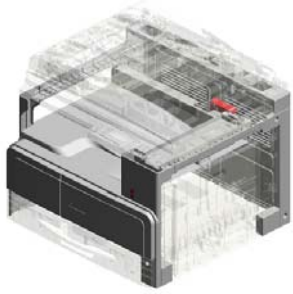
 **Add**

 **Update**

 **Delete**

Model	Product code	PC style
MP 2014/MP 2014D	D245/D246	3D
MP 2014AD	D247	3D
Paper Feed Unit PB2020	D3B1	3D
Bypass Tray Cover Type M16	D3B7	3D
DDST Unit Type M16	D3B2	Traditional

Unit All



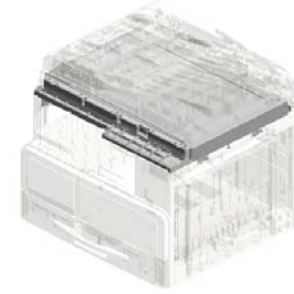
U001
EXTERIOR



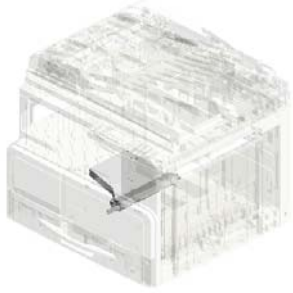
U002
OPERATION



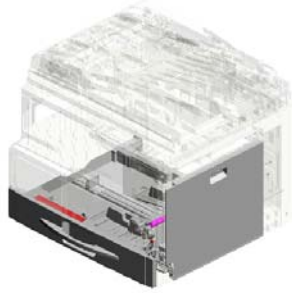
U003
ARDF



U004
SCANNER



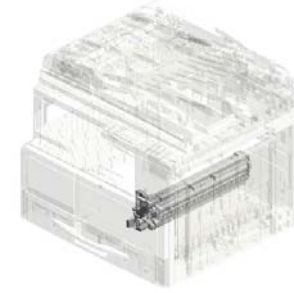
U005
LASER UNIT



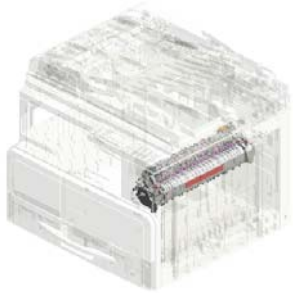
U006
PAPER FEED



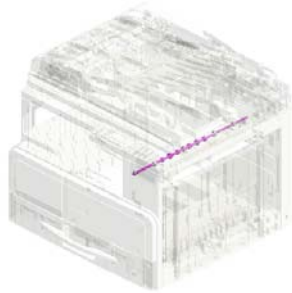
U007
TONER SUPPLY



U008
PCDU



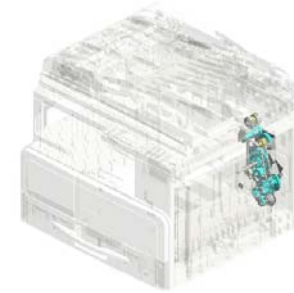
U009
FUSING



U010
PAPER EXIT

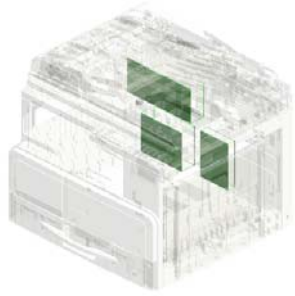


U011
DUPLEX



U012
MAIN DRIVE

Unit All

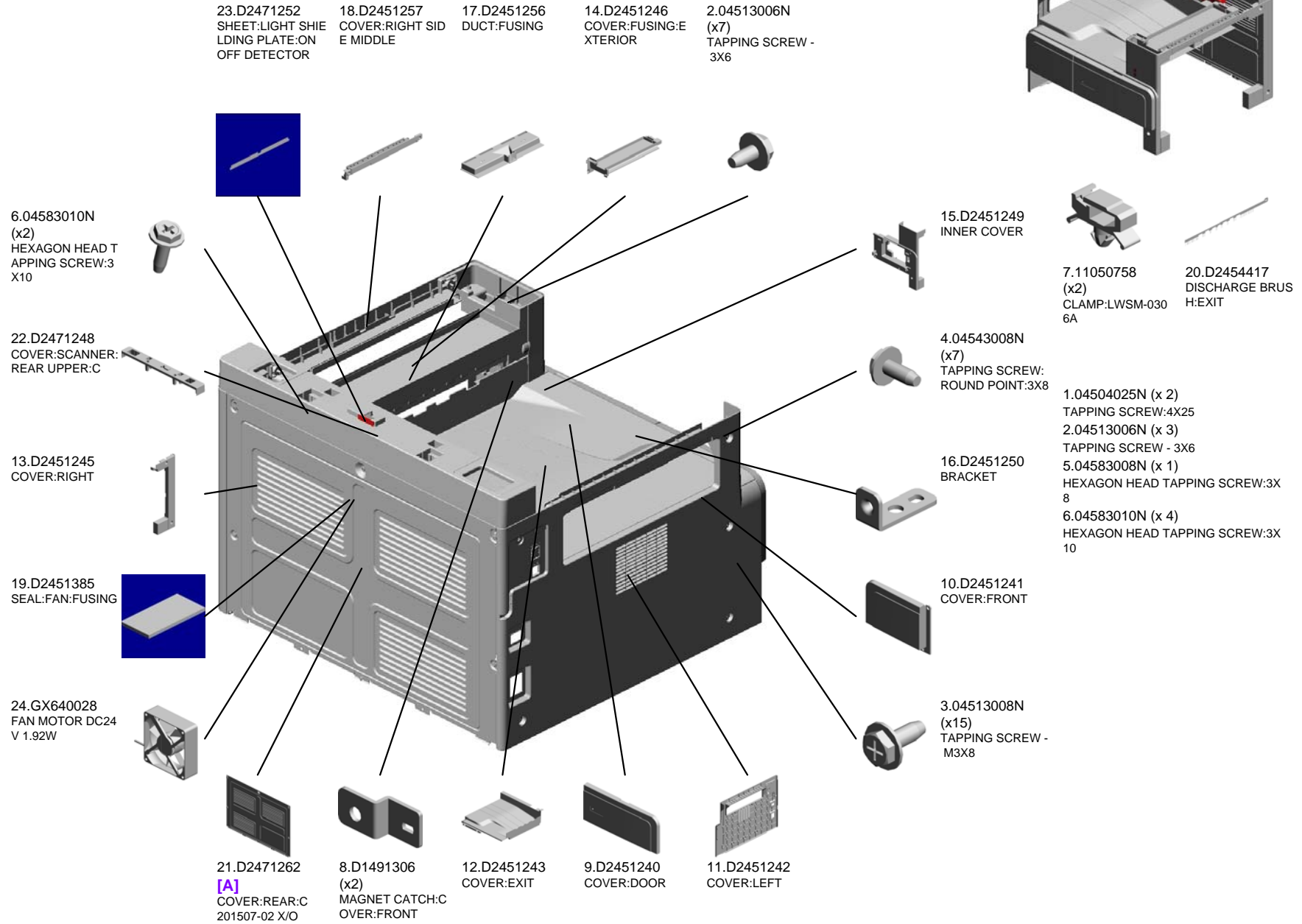


U013
ELECTRICAL



U014
MAIN FRAME

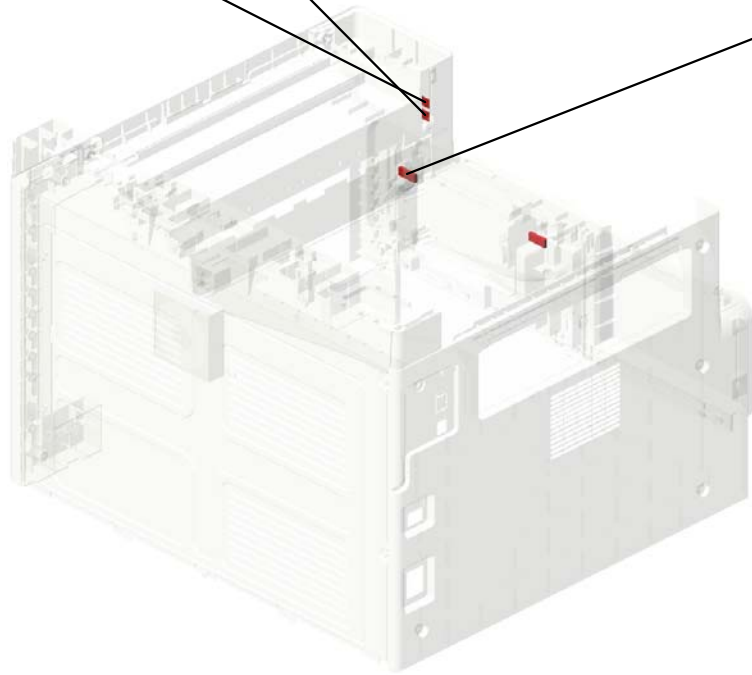
U001 EXTERIOR



U001 EXTERIOR

27.B2776201
(-CHN):DECAL:ENE
RGY-SAVE
201507-04

26.B2706201
(-CHN):DECAL-ENV
IRONMENTAL SYM
BOL MARK
201507-03



25.M0134669
(x2)
MAGNET CATCH:A
SS'Y



D2471244
[A]
COVER:REAR:C
201507-02 X/O

U002.OPERATION

U002_S001
D2461401
(-NA,-AA):OPERATION PANE
L:AP/LA:ASS'Y

U002_S002
D2461401
(-NA,-AA):OPERATION PANE
L:AP/LA:ASS'Y

U002_S003
D2461400
(-CHN):OPERATION PANEL:A
P/LA:ASS'Y

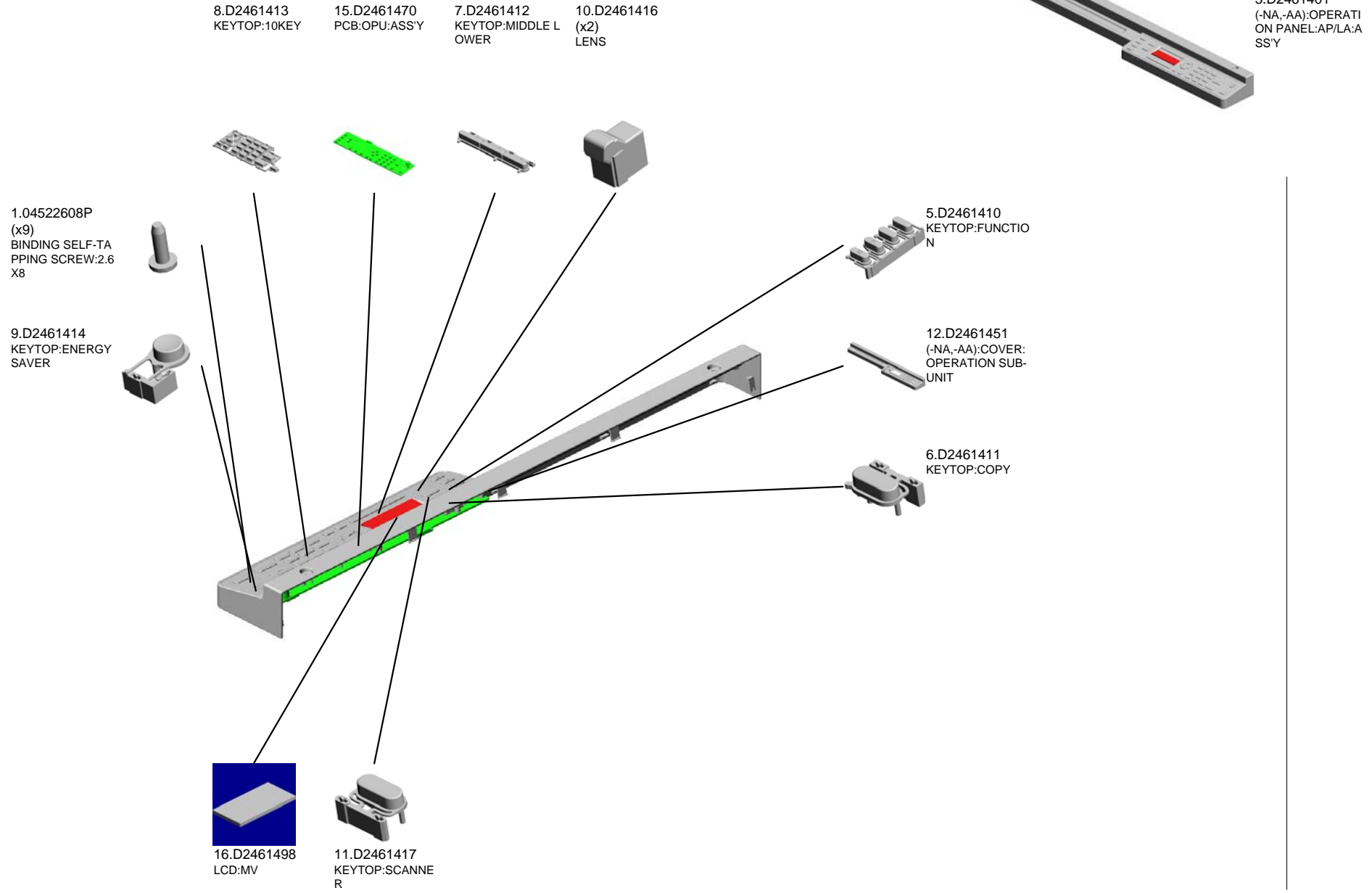
U002_S004
D2461402
(-EU):OPERATION PANEL:AP
/LA:ASS'Y

U001	U002	U003	U004	U005	U006	U007	U008	U009	U010	U011	U012	U013	U014
------	------	------	------	------	------	------	------	------	------	------	------	------	------

U002
OPERATION



U002_S001
 (-NA,-AA):OPERATION PANEL:AP/LA:ASS'Y



U001	U002	U003	U004	U005	U006	U007	U008	U009	U010	U011	U012	U013	U014
------	------	------	------	------	------	------	------	------	------	------	------	------	------

U002_S002

(-NA,-AA):OPERATION PANEL:AP/LA:ASS'Y

8.D2461413
KEYTOP:10KEY

15.D2461470
PCB:OPU:ASS'Y

7.D2461412
KEYTOP:MIDDLE L
OWER

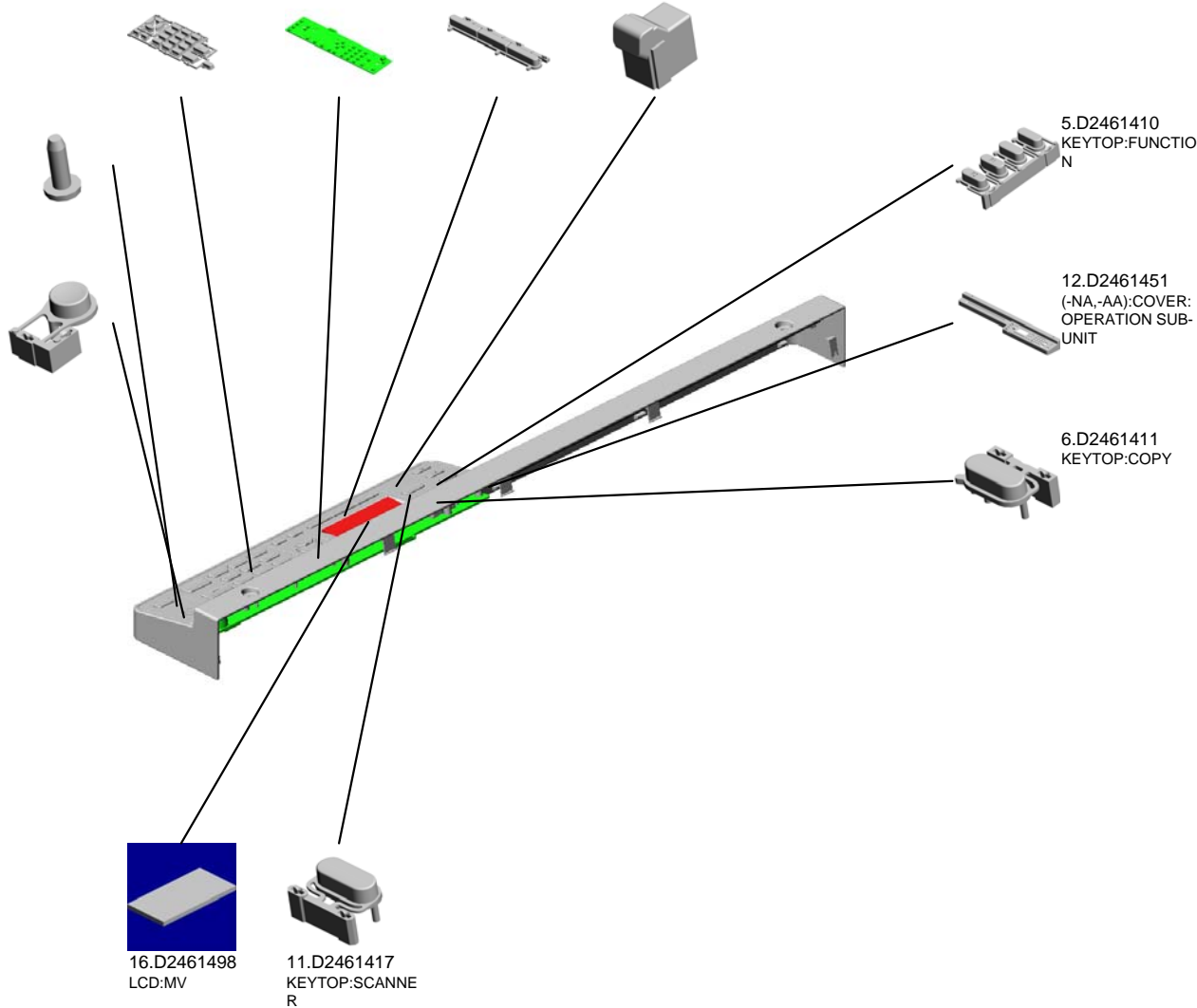
10.D2461416
(x2)
LENS



3.D2461401
(-NA,-AA):OPERATI
ON PANEL:AP/LA:A
SS'Y

1.04522608P
(x9)
BINDING SELF-TA
PPING SCREW:2.6
X8

9.D2461414
KEYTOP:ENERGY
SAVER



U001	U002	U003	U004	U005	U006	U007	U008	U009	U010	U011	U012	U013	U014
------	------	------	------	------	------	------	------	------	------	------	------	------	------

U002_S003
 (-CHN):OPERATION PANEL:AP/LA:ASS'Y

8.D2461413
 KEYTOP:10KEY

15.D2461470
 PCB:OPU:ASS'Y

7.D2461412
 KEYTOP:MIDDLE L
 OWER

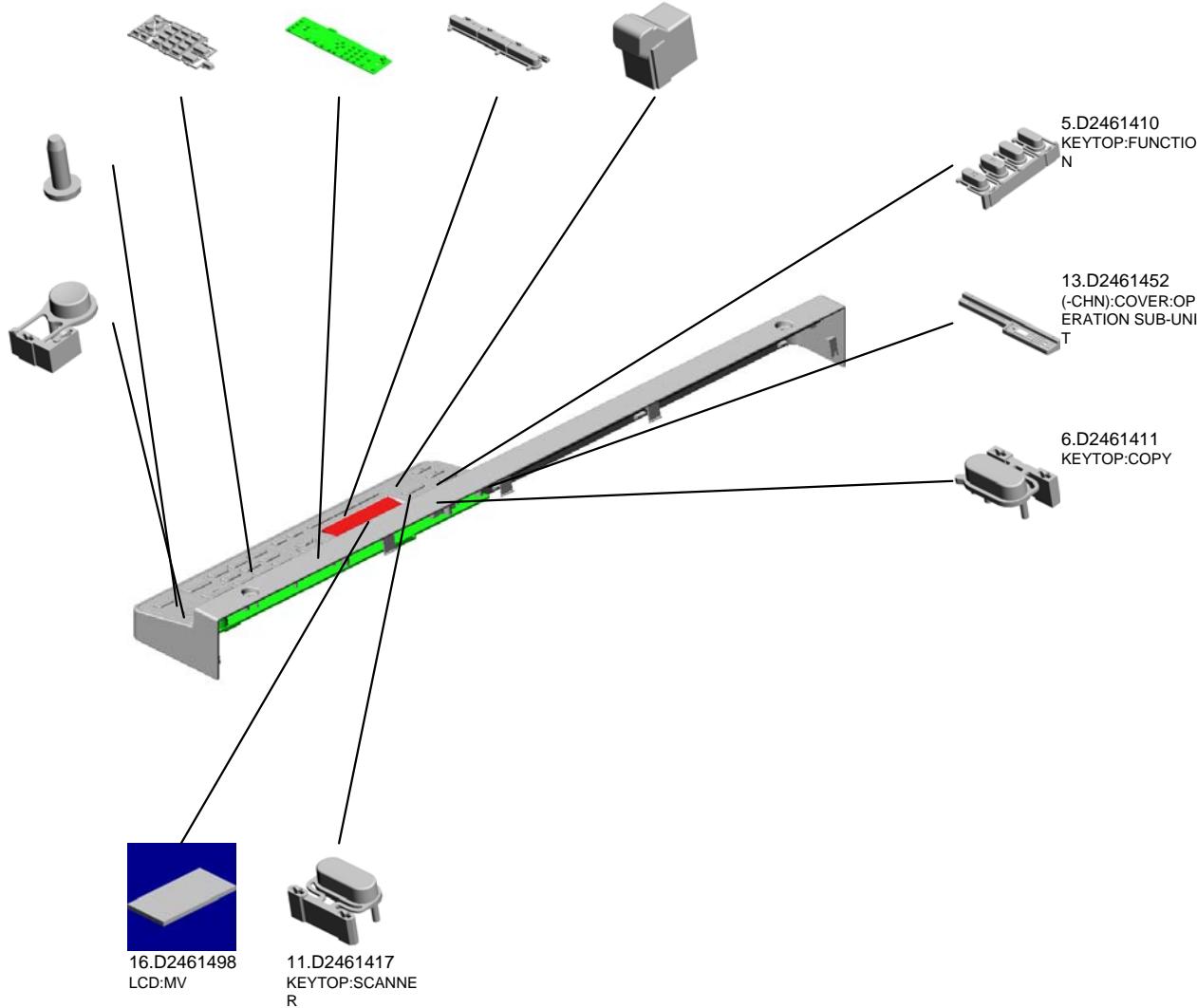
10.D2461416
 (x2)
 LENS



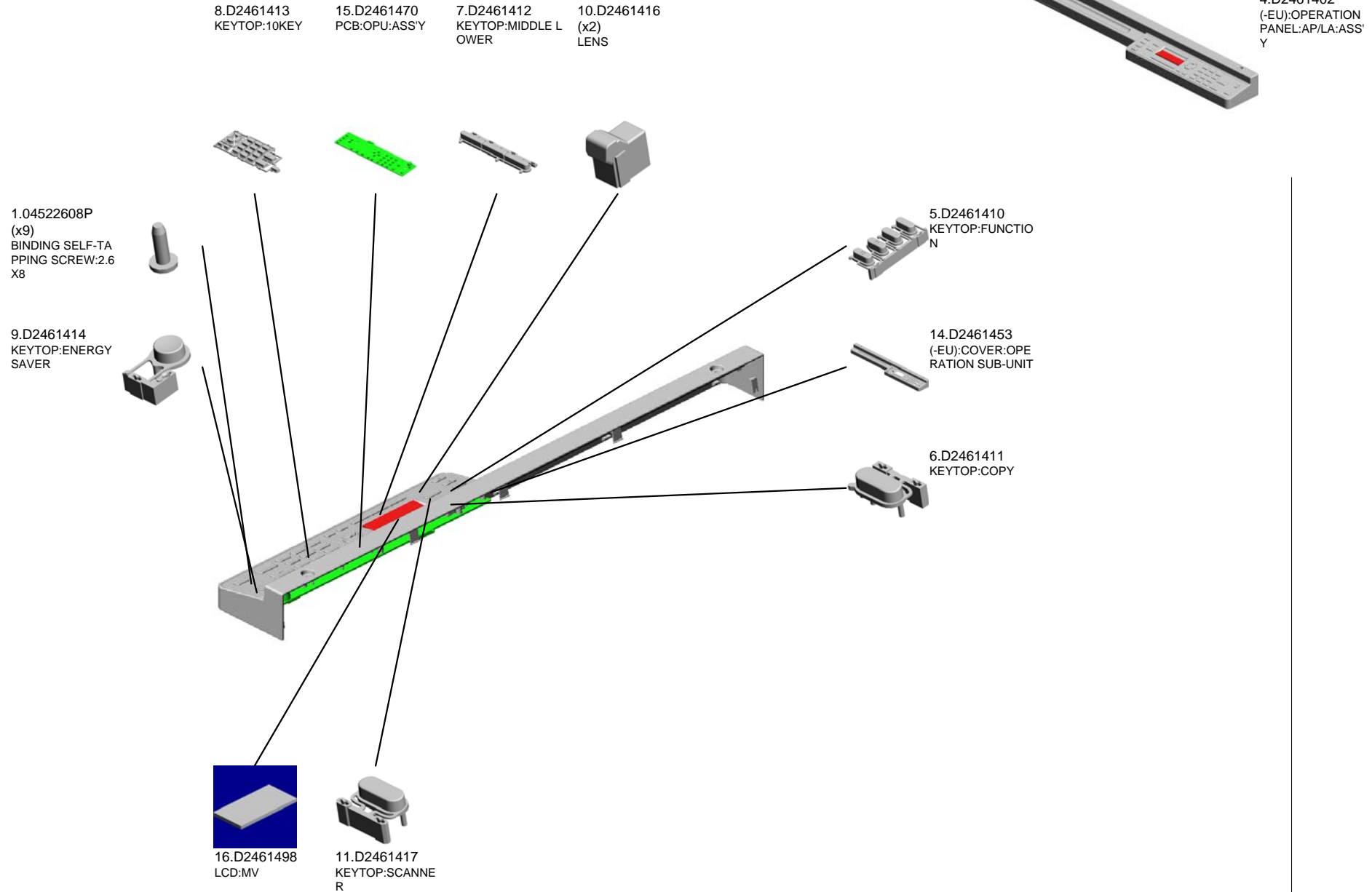
2.D2461400
 (-CHN):OPERATIO
 N PANEL:AP/LA:AS
 SY

1.04522608P
 (x9)
 BINDING SELF-TA
 PPING SCREW:2.6
 X8

9.D2461414
 KEYTOP:ENERGY
 SAVER



U002_S004
 (-EU):OPERATION PANEL:AP/LA:ASS'Y

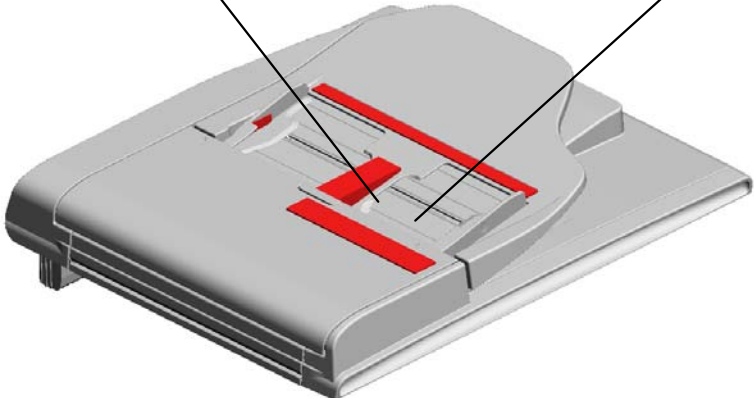


U003.ARDF

U003_S001
D3B60083
ARDF:ASS'Y



U003_S002
D3B61820
SHEET:PRESSURE PLATE:A
SS'Y

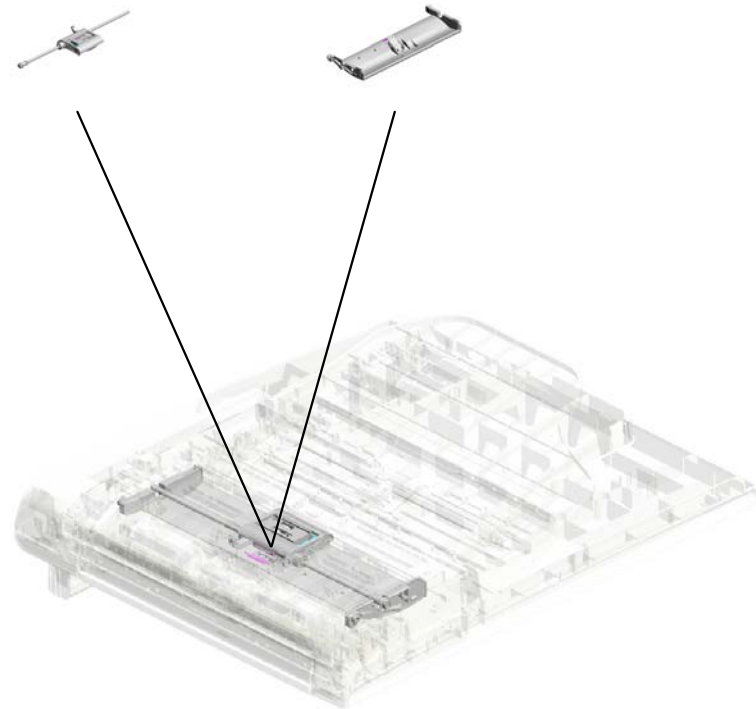


U001	U002	U003	U004	U005	U006	U007	U008	U009	U010	U011	U012	U013	U014
------	------	------	------	------	------	------	------	------	------	------	------	------	------

U003_S001.ARDF:ASS'Y

U003_S001_S001
D3B61500
PAPER FEED UNIT:ASS'Y

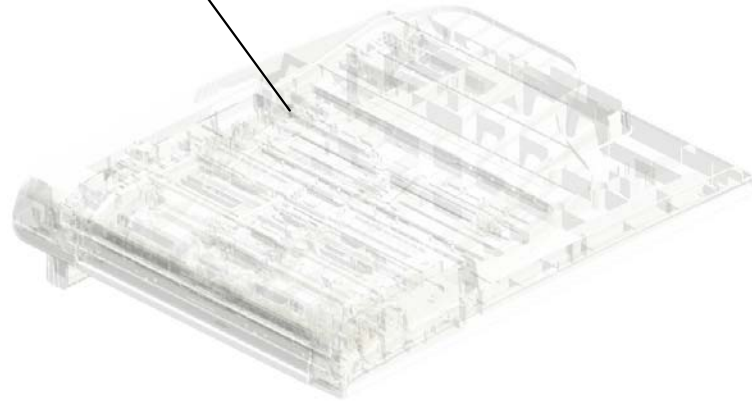
U003_S001_S002
D3B62000
GUIDE PLATE:PAPER FEED:
ASS'Y



U001	U002	U003	U004	U005	U006	U007	U008	U009	U010	U011	U012	U013	U014
------	------	------	------	------	------	------	------	------	------	------	------	------	------

U003
ARDF

109.D2471098
SCREW:HINGE
201512-02 O/O



5.04543006N (x 3)
TAPPING SCREW:ROUND POINT:3X6

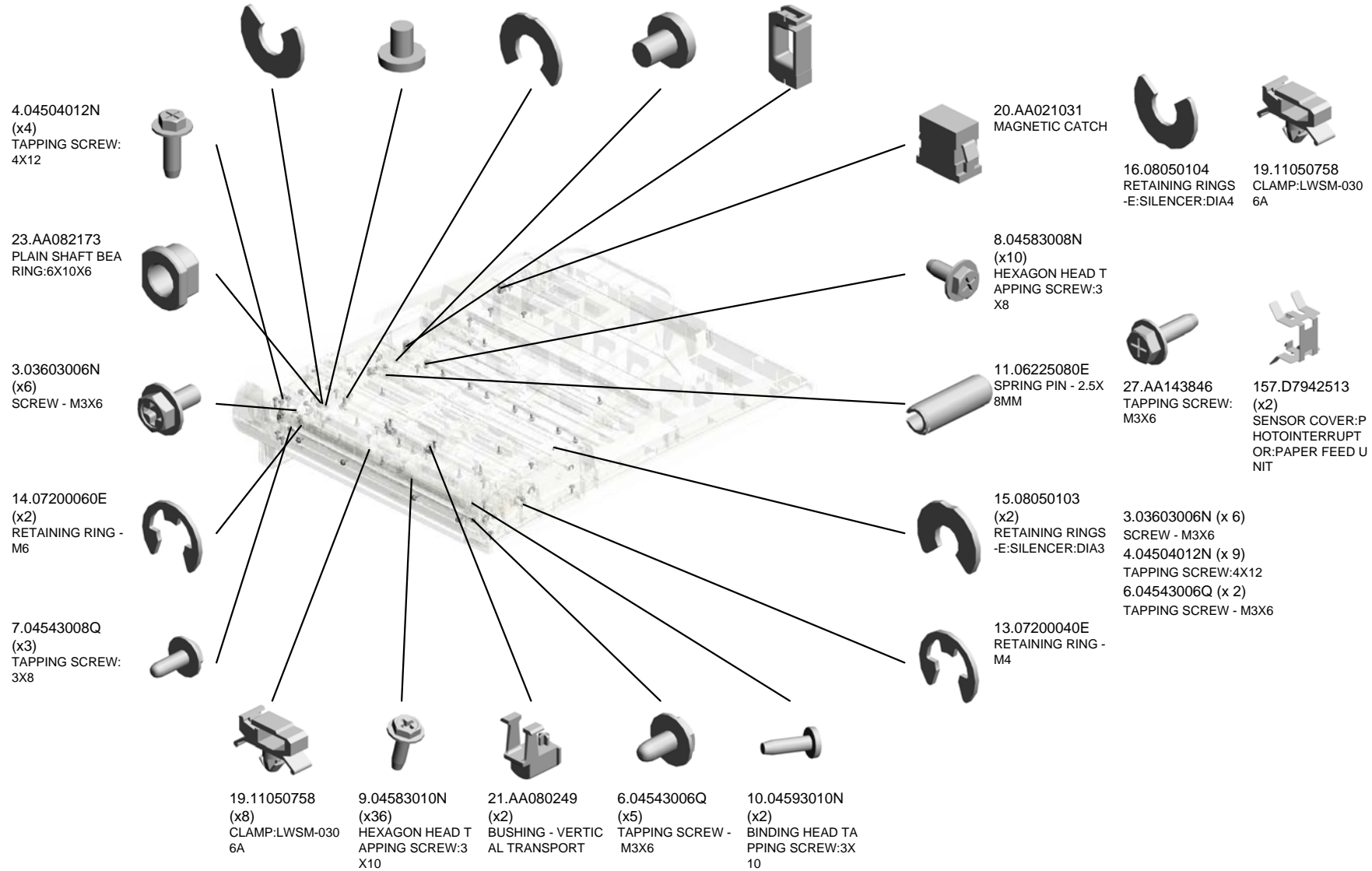
U001	U002	U003	U004	U005	U006	U007	U008	U009	U010	U011	U012	U013	U014
------	------	------	------	------	------	------	------	------	------	------	------	------	------

U003_S001
ARDF:ASS'Y

- 16.08050104 (x8) RETAINING RINGS -E:SILENCER:DIA4
- 2.03530040N (x2) SCREW - M3X4
- 17.08050106 (x2) RETAINING RINGS -E:SILENCER:DIA6
- 1.03530030N (x2) SCREW:M3X3
- 18.11050723 CLAMPS:WES-050 7



81.D3B60083
ARDF:ASS'Y



U003_S001
ARDF:ASS'Y

29.AW020198
(x2)
PHOTOINTERRUPTOR:LG2A14NL1

31.B3871951
SPRING - PAPER SIZE SENSOR

30.B3871941
FEELER - PAPER SIZE SENSOR

37.D1492666
GEAR:SIDE FENCE :MANUAL FEED TABLE

38.D1492667
(x2)
RACK:MANUAL FEED



81.D3B60083
ARDF:ASS'Y

33.B8722421
BUSHING:FEED

45.D2161115
HOLDER:GUIDE PLATE

42.D2161010
HOLDER:COMPRESSION SPRING:EXIT ROLLER

28.AW010151
PHOTO REFLECTION SENSOR:PS122T L1-A

43.D2161011
SEAL:REFLECTION POLARIZING PLATE:REGISTRATION SENSOR

25.AA143788
PIN:GUIDE PLATE: PAPER FEED

26.AA143791
SCREW:SAFETY

36.B8722614
(x4)
BUSHING:R1

46.D2161205
GEAR:PRESSURE RELEASE:SCANNING

47.D2161206
GEAR:PRESSURE RELEASE:CONNECTING

39.D1494731
(x2)
COMPRESSION SPRING:RACK:MANUAL FEED

40.D2161003
(x2)
SHAFT:EXIT:DRIVEN

41.D2161009
(x4)
ROLLER:EXIT:DRIVEN

44.D2161110
(x2)
COMPRESSION SPRING:EXIT:DRIVEN 201511-02 O/O

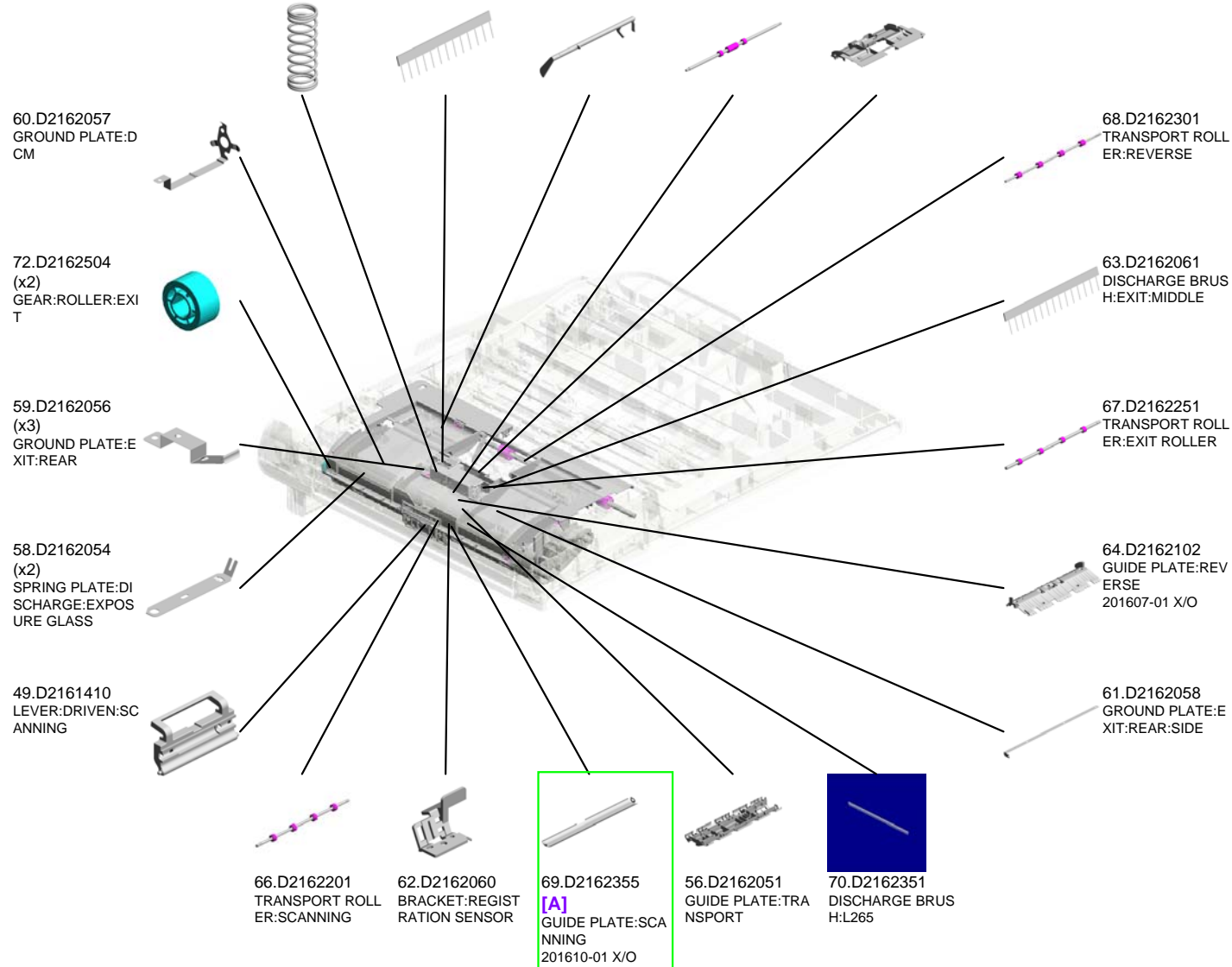
48.D2161207
DIAL:PRESSURE RELEASE

U003_S001
ARDF:ASS'Y



81.D3B60083
ARDF:ASS'Y

- 75.D2163008 (x2) COMPRESSION SPRING:DRIVEN ROLLER:PULL OUT
- 57.D2162052 (x2) DISCHARGE BRUSH:EXIT
- 74.D2163012 FEELER:ORIGINAL SENSOR 201606-01 X/O
- 65.D2162151 TRANSPORT ROLLER:PULL OUT
- 73.D2163005 COVER:PAPER FEED:MIDDLE



U003_S001
ARDF:ASS'Y

94.D3B63012
TORSION SPRING:
COVER:PAPER FE
ED:REAR

77.D2163101
(x4)
ROLLER:REVERSE
:DRIVEN:2

97.D3B63109
SIDE FENCE:INNE
R BACK
201608-03 X/X

92.D3B63004
COVER:PAPER FE
ED:UPPER

83.D3B61335
HINGE:DOCUMENT
FEEDER:RIGHT:
A3
201609-06 X/X



81.D3B60083
ARDF:ASS'Y

88.D3B62994
BRACKET:HEAT SI
NK:SOLENOID

89.D3B62995
HEAT SINK:SOLENO
ID

87.D3B62601
BRACKET:DRIVE S
UB-UNIT

82.D3B61332
HINGE:DOCUMENT
FEEDER:LEFT:A3
201609-07 X/X

90.D3B63002
COVER:PAPER FE
ED

76.D2163010
DRIVEN ROLLER:P
ULL OUT:PRESS FI
T

86.D3B62061
GROUND PLATE:R
EGISTRATION SEN
SOR

91.D3B63003
LEVER:COVER:PA
PER FEED

93.D3B63011
TORSION SPRING:
COVER:PAPER FE
ED:FRONT

95.D3B63013
(x2)
PAWL:COVER:PAP
ER FEED

96.D3B63103
ORIGINAL TABLE

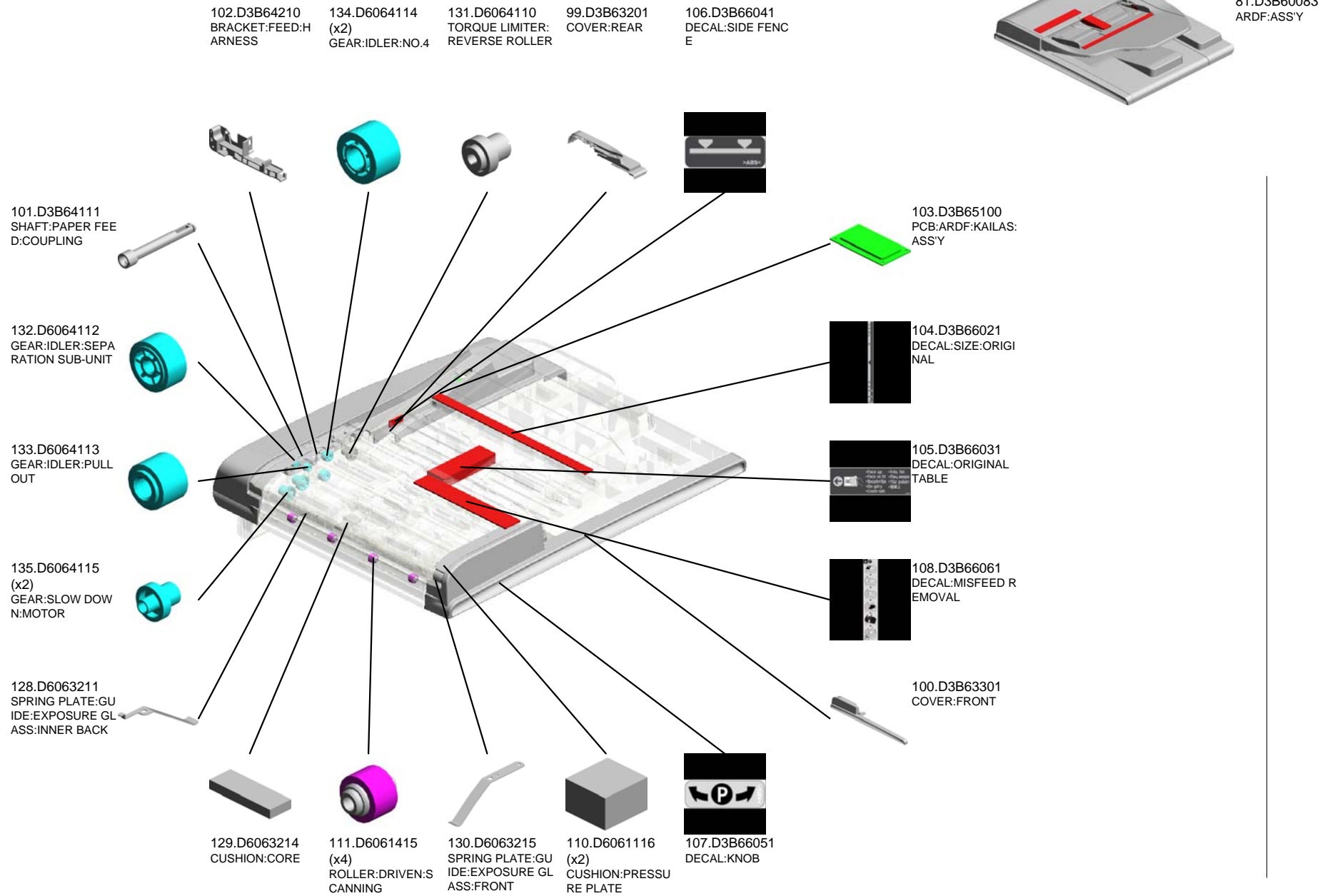
78.D2163104
COVER:ORIGINAL
TABLE

98.D3B63112
SIDE FENCE:FRON
T
201608-04 X/X

80.D2163125
(x4)
PLATE:SPRING PL
ATE

79.D2163120
(x8)
SPRING PLATE:RE
VERSE:PRESSURE
:0.22N

U003_S001
ARDF:ASS'Y



U003_S001
ARDF:ASS'Y



81.D3B60083
ARDF:ASS'Y

149.D6064150 MECHANICAL SPRING CLUTCH:PAPER FEED:ASS'Y
 160.GX110024 DC SOLENOID:MECHANICAL SPRING CLUTCH:PAPER FEED UNIT
 140.D6064122 GEAR:IDLER:MECHANICAL ROLLER CLUTCH:UPPER POSITION
 142.D3B64124 COLLAR:REVERSE 201604-01 X/O
 141.D6064123 GEAR:IDLER:MECHANICAL ROLLER CLUTCH:LOWER

150.D6064310 BRACKET:DRIVE

137.D6064117 GEAR:SLOW DOWN:EXIT

138.D6064118 GEAR:SLOW DOWN:PULL OUT

139.D6064119 GEAR:ROLLER:PULL OUT

136.D6064116 GEAR:SLOW DOWN:SCANNING

151.D6064370 DC MOTOR:S:ASS'Y

148.D6064132 TENSION SPRING:GATE PAWL:REVERSE

143.D6064125 ARM:SWIVEL:REVERSE

145.D6064127 (x2) GEAR:SWIVEL:REVERSE

146.D6064128 LEVER:GATE PAWL

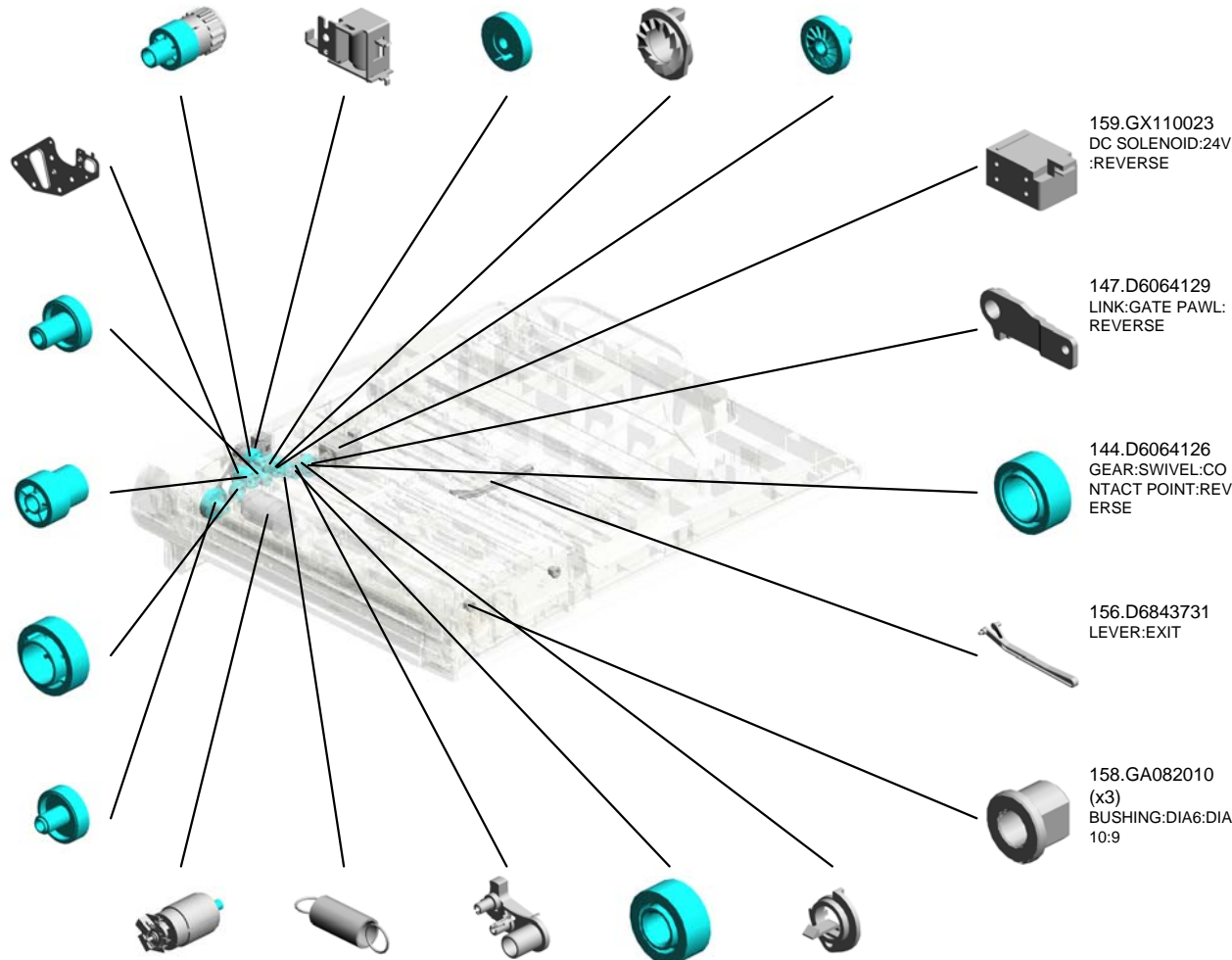
159.GX110023 DC SOLENOID:24V:REVERSE

147.D6064129 LINK:GATE PAWL:REVERSE

144.D6064126 GEAR:SWIVEL:CONTACT POINT:REVERSE

156.D6843731 LEVER:EXIT

158.GA082010 (x3) BUSHING:DIA6:DIA10:9



U003_S001
ARDF:ASS'Y

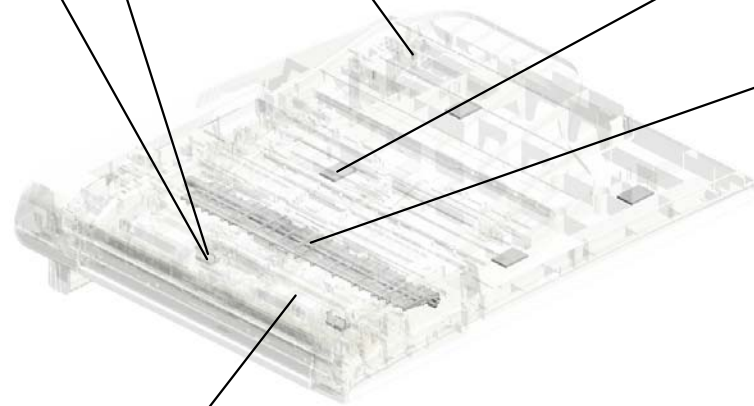
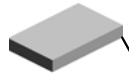
162.M3641387
(x2)
BRACKET:PRESSU
RE PLATE

167.M4483888
(x2)
PARALLEL PIN:703
3514:4X10
201512-04

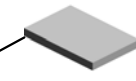


81.D3B60083
ARDF:ASS'Y

164.M3644821
(x2)
TAPE:PRESSURE
PLATE:LEFT



165.M3644823
(x4)
TAPE:PRESSURE
PLATE



169.D2162521
GATE PAWL:REVE
RSE
201608-01 X/O



166.D2161018
(x2)
SHEET:GUIDE
201511-01



D2162350
[A]
GUIDE PLATE:SCA
NNING
201610-01 X/O

U001	U002	U003	U004	U005	U006	U007	U008	U009	U010	U011	U012	U013	U014
------	------	------	------	------	------	------	------	------	------	------	------	------	------

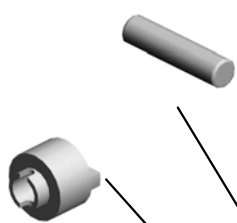
U003_S001_S001 PAPER FEED UNIT:ASS'Y

12.06320080G PARALLEL KEY - 2 X8MM
 116.D6062116 GEAR:FEED
 34.B8722526 SPRING:ROLLER CLUTCH
 51.D2161501 SHAFT:PAPER FEED UNIT:ASS'Y
 112.D6062111 FEED ROLLER



50.D3B61500
[A]
 PAPER FEED UNIT
 :ASS'Y
 201604-02 X/O

115.D6062115
 TORQUE LIMITER
 MECHANICAL CLUTCH:FEED



13.07200040E
 (x2)
 RETAINING RING - M4



163.M3642124
 COMPRESSION SPRING:PAPER FEED UNIT



24.AA132208
 (x2)
 SPACER - M6



22.AA082101
 BUSHING - 6X10X6



117.D6062117
 (x3)
 GEAR:IDLER:FEED



118.D6062118
 GEAR:PICKUP



122.D6062122
 HOLDER:PICKUP ROLLER



120.D6062120
 PAPER STOPPER



35.B8722529
 COLLAR:PICKUP



113.D3B61503
PICKUP ROLLER
 201604-04 X/O



114.D6062114
 SHAFT:PICKUP



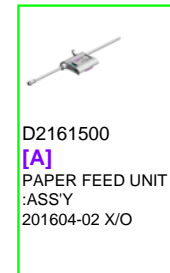
16.08050104
 RETAINING RINGS
 -E:SILENCER:DIA4



119.D6062119
 ARM:PAPER STOPPER

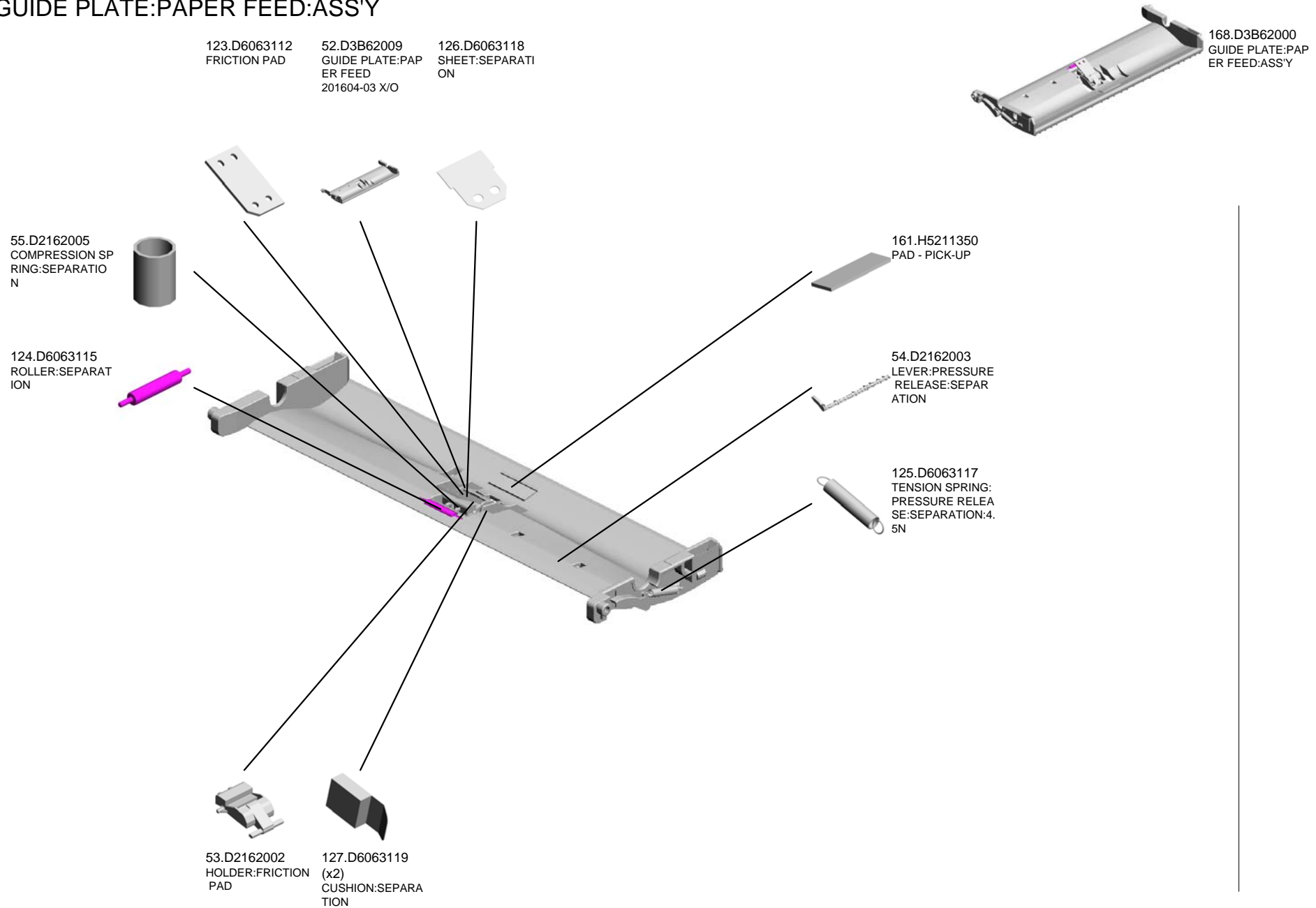


121.D6062121
 LINK:PAPER STOPPER



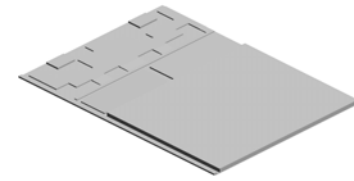
D2161500
[A]
 PAPER FEED UNIT
 :ASS'Y
 201604-02 X/O

U003_S001_S002 GUIDE PLATE:PAPER FEED:ASS'Y



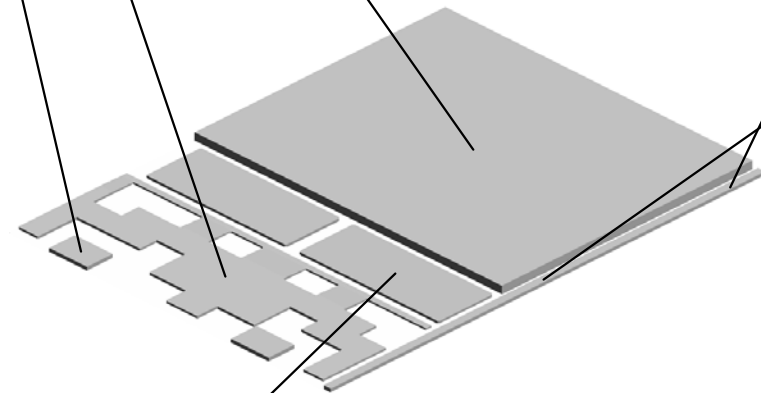
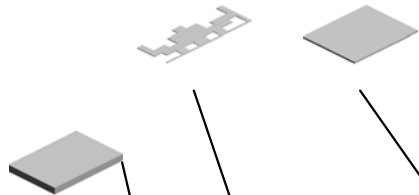
U003_S002
SHEET:PRESSURE PLATE:ASS'Y

152.D6834711 154.D6834724
GUIDE PLATE:PRE CUSHION:PRESSU
SSURE PLATE:LEF RE PLATE:LARGE
T



84.D3B61820
SHEET:PRESSURE
PLATE:ASSY

153.D6834722
(x2)
CUSHION:TAPE:S
MALL



32.B6524743
(x2)
SHEET:PRESSURE
PLATE:SMALL



155.D6834725
CUSHION:PRESSU
RE PLATE:SMALL



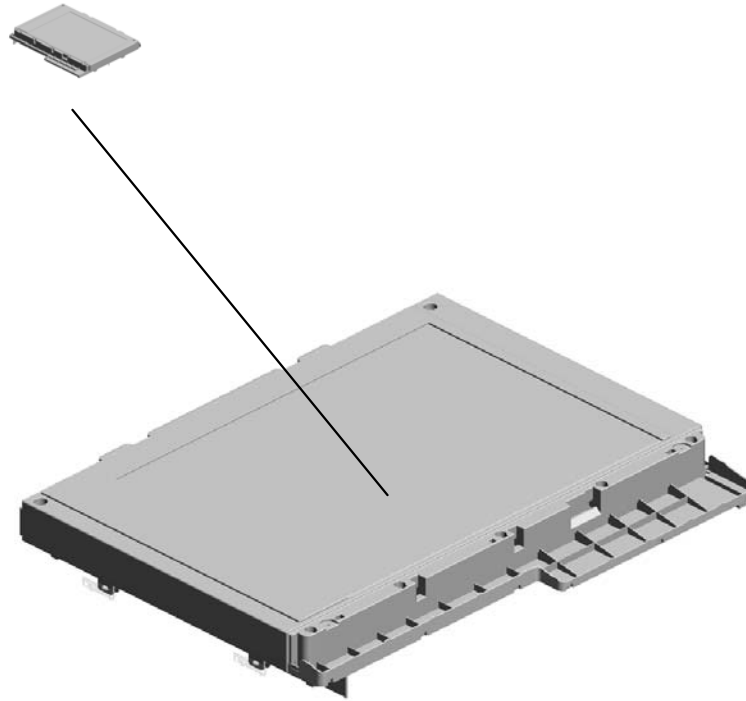
85.D3B61822
(x2)
PLATE:AUXILIARY:
PRESSURE PLATE



U001	U002	U003	U004	U005	U006	U007	U008	U009	U010	U011	U012	U013	U014
------	------	------	------	------	------	------	------	------	------	------	------	------	------

U004.SCANNER

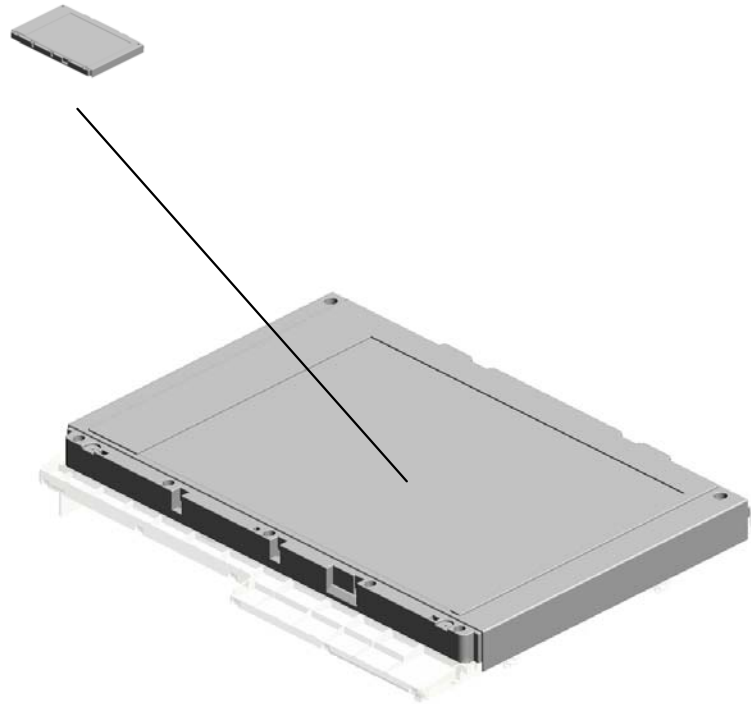
U004_S001
D2471627
SCANNER:DF:ASSY



U001	U002	U003	U004	U005	U006	U007	U008	U009	U010	U011	U012	U013	U014
------	------	------	------	------	------	------	------	------	------	------	------	------	------

U004_S001.SCANNER:DF:ASS'Y

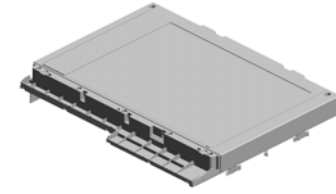
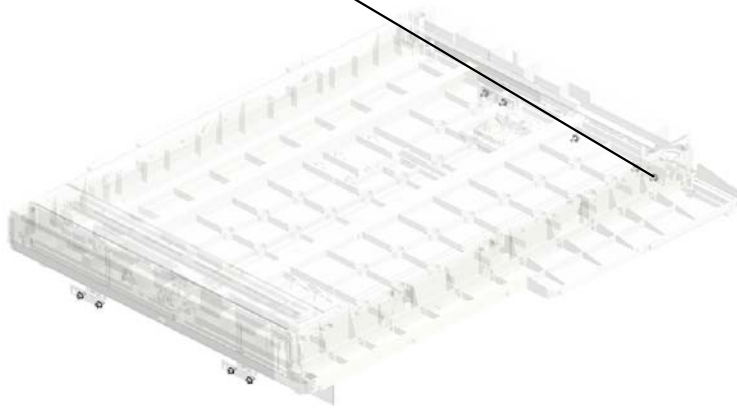
U004_S001_S001
D2471611
ORIGINAL TRAY:SCANNER:A
SS'Y



U001	U002	U003	U004	U005	U006	U007	U008	U009	U010	U011	U012	U013	U014
------	------	------	------	------	------	------	------	------	------	------	------	------	------

U004 SCANNER

4.08046123
(x9)
HEXAGONAL BOLT
:W/WASHER:M3X8



4.08046123
HEXAGONAL BOLT
:W/WASHER:M3X8

U001	U002	U003	U004	U005	U006	U007	U008	U009	U010	U011	U012	U013	U014
------	------	------	-------------	------	------	------	------	------	------	------	------	------	------

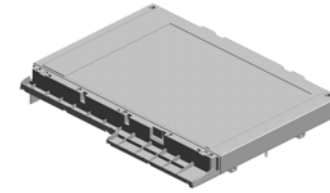
U004_S001
SCANNER:DF:ASS'Y

6.AW020224
PHOTOINTERRUP
TOR:GP1A173LCS
VF
201605-02 O/O

10.D1601760
SYNCHRONOUS B
ELT:S2M

7.AX040272
DC STEPPER MOT
OR:NMB

5.08050104
(x2)
RETAINING RINGS
-E:SILENCER:DIA4

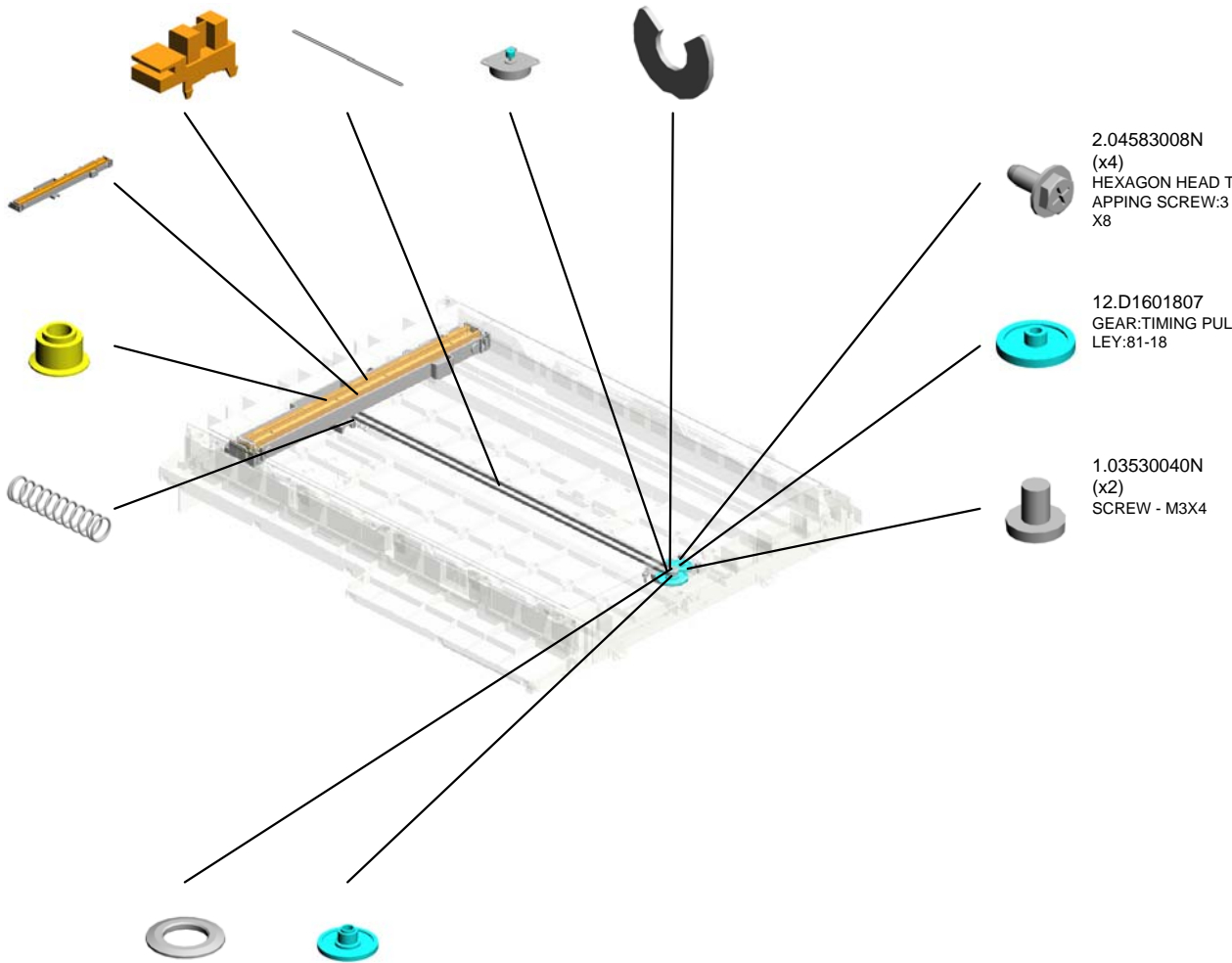


16.D2471627
[A]
SCANNER:DF:ASS'
Y
201609-05 X/O

14.D2451631
CARRIAGE SECTI
ON:SCANNER:DF

9.D1171806
PULLEY:IDLER

11.D1601787
COIL SPRING:TEN
SION:15



2.04583008N
(x4)
HEXAGON HEAD T
APPING SCREW:3
X8

12.D1601807
GEAR:TIMING PUL
LEY:81-18

1.03530040N
(x2)
SCREW - M3X4

8.D1171804
(x2)
CAP:TIMING PULL
EY

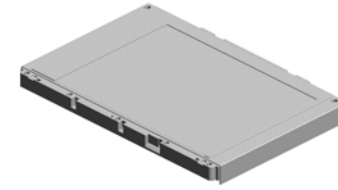
13.D1601808
GEAR:SLOW DOW
N:53-19

D2471626
[A]
SCANNER:DF:ASS'
Y
201609-05 X/O

U001	U002	U003	U004	U005	U006	U007	U008	U009	U010	U011	U012	U013	U014
------	------	------	------	------	------	------	------	------	------	------	------	------	------

U004_S001_S001
ORIGINAL TRAY:SCANNER:ASS'Y

3.04583010N
(x10)
HEXAGON HEAD TAPPING SCREW:3
X10



15.D2471611
[A]
ORIGINAL TRAY:SCANNER:ASS'Y
201609-04 X/O

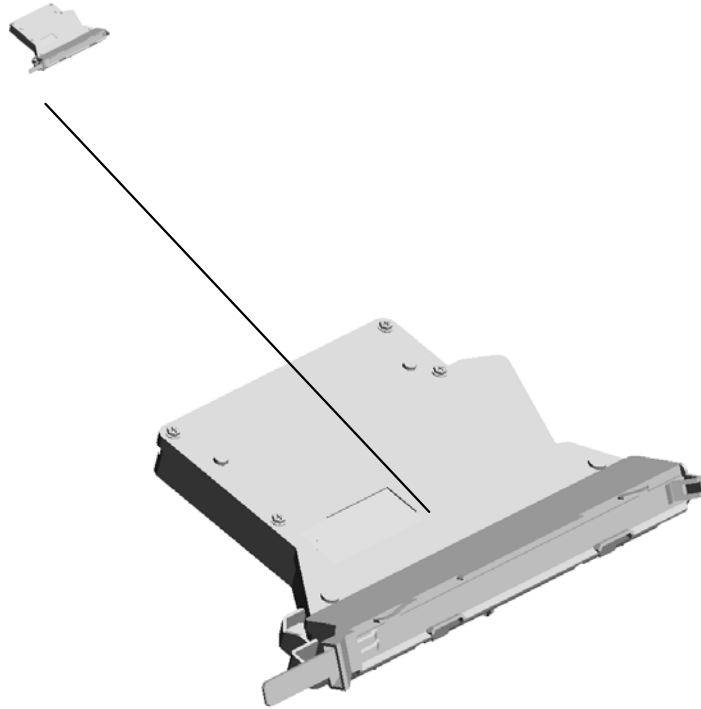


D2471610
[A]
ORIGINAL TRAY:SCANNER:ASS'Y
201609-04 X/O

U001	U002	U003	U004	U005	U006	U007	U008	U009	U010	U011	U012	U013	U014
------	------	------	------	------	------	------	------	------	------	------	------	------	------

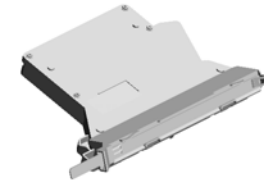
U005.LASER UNIT

U005_S001
D2451900
OPTICAL HOUSING:ASSY



U001	U002	U003	U004	U005	U006	U007	U008	U009	U010	U011	U012	U013	U014
------	------	------	------	------	------	------	------	------	------	------	------	------	------

U005
LASER UNIT

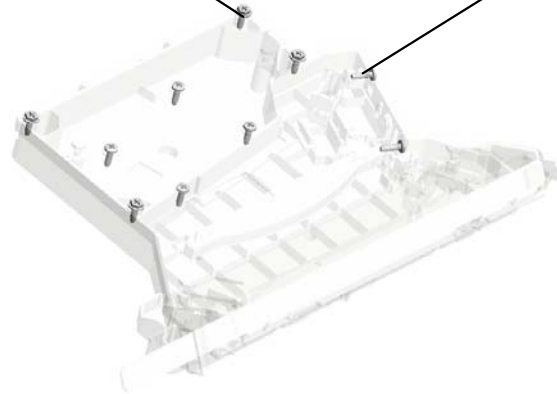


1.04543008Q (x 3)
TAPPING SCREW:3X8

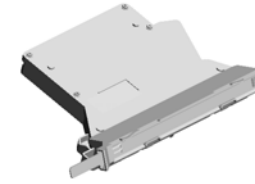
U001	U002	U003	U004	U005	U006	U007	U008	U009	U010	U011	U012	U013	U014
------	------	------	------	------	------	------	------	------	------	------	------	------	------

U005_S001
OPTICAL HOUSING:ASS'Y

2.04583010N
(x4)
HEXAGON HEAD TAPPING SCREW:3X10



3.04593010N
(x6)
BINDING HEAD TAPPING SCREW:3X10



4.D2451900
[A]
OPTICAL HOUSING:ASS'Y
201511-03 O/O

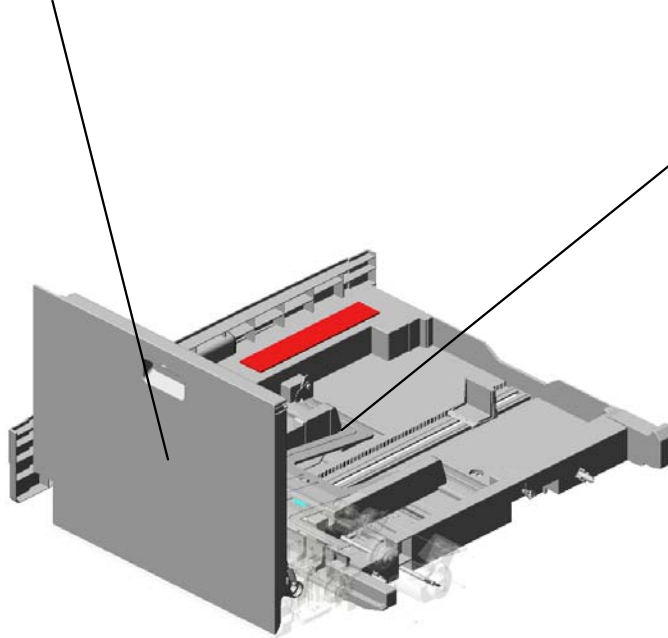


D2451961
[A]
OPTICAL WRITING UNIT:ASS'Y
201511-03 O/O

U001	U002	U003	U004	U005	U006	U007	U008	U009	U010	U011	U012	U013	U014
------	------	------	------	------	------	------	------	------	------	------	------	------	------

U006.PAPER FEED

U006_S002
D2452880
MANUAL FEED TABLE:ASS'Y



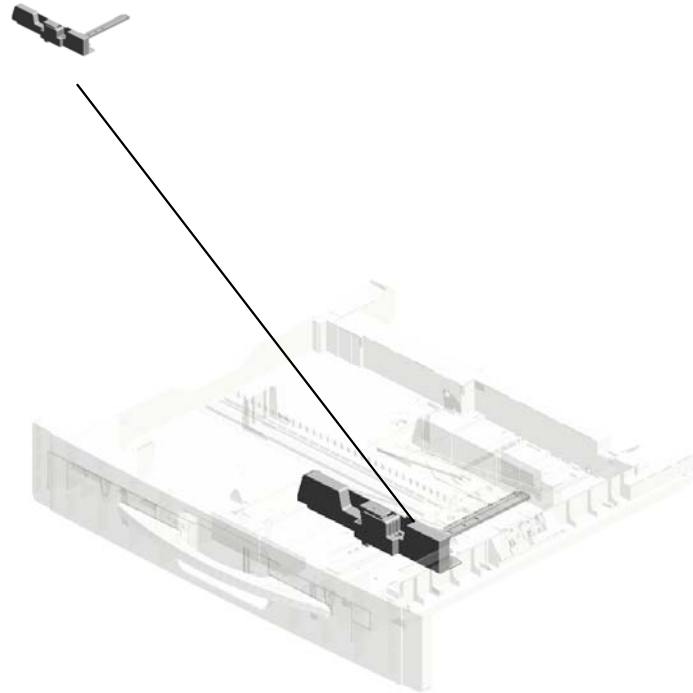
U006_S001
D2452511
PAPER TRAY:ASS'Y



U001	U002	U003	U004	U005	U006	U007	U008	U009	U010	U011	U012	U013	U014
------	------	------	------	------	-------------	------	------	------	------	------	------	------	------

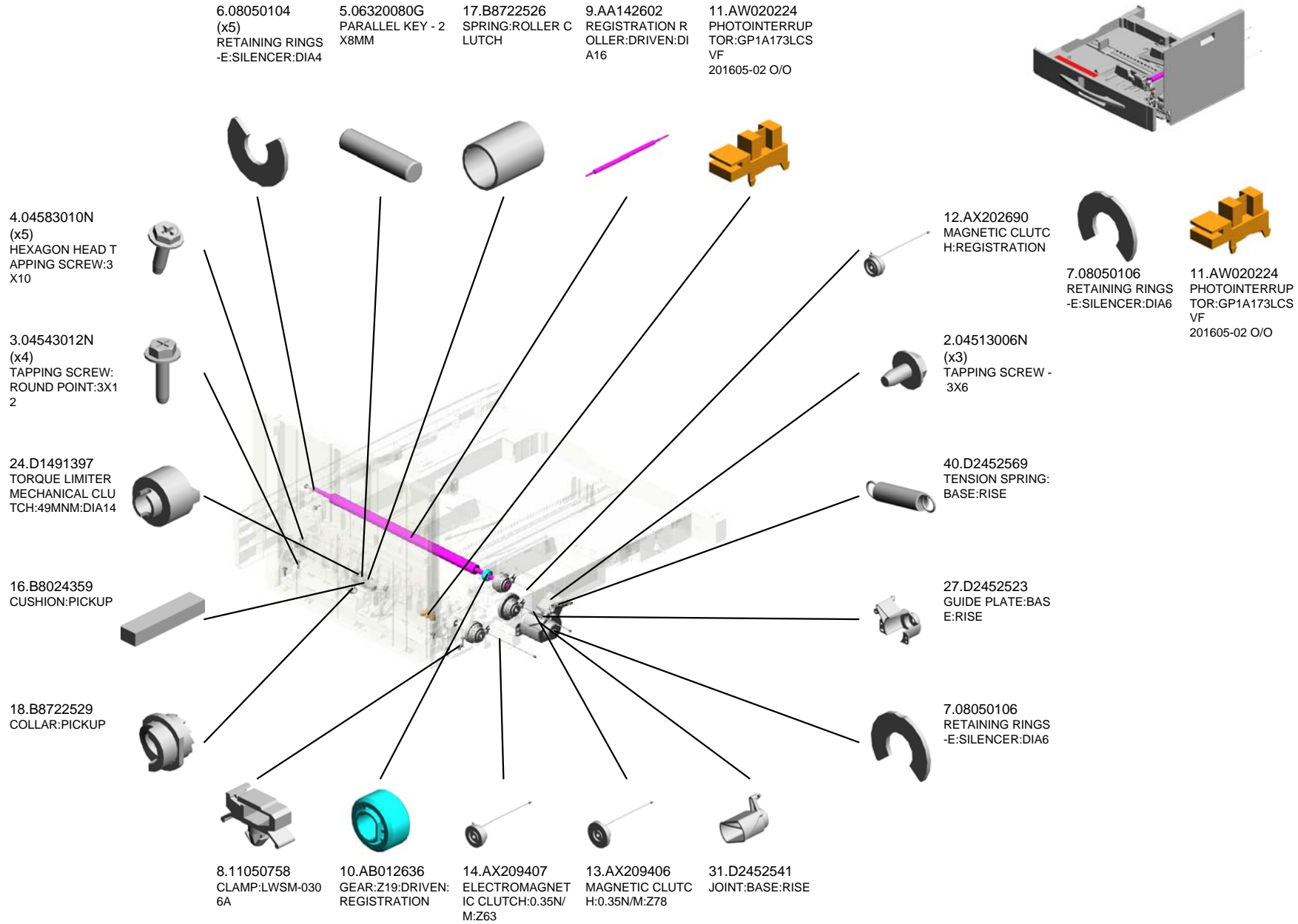
U006_S001.PAPER TRAY:ASS'Y

U006_S001_S001
D2452560
SIDE FENCE:FRONT:ASS'Y



U001	U002	U003	U004	U005	U006	U007	U008	U009	U010	U011	U012	U013	U014
------	------	------	------	------	-------------	------	------	------	------	------	------	------	------

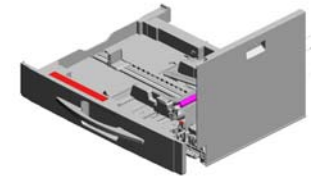
U006 PAPER FEED



U001	U002	U003	U004	U005	U006	U007	U008	U009	U010	U011	U012	U013	U014
------	------	------	------	------	------	------	------	------	------	------	------	------	------

U006 PAPER FEED

- 47.D2452618 PLAIN SHAFT BEARING:REGISTRATION:FRONT
- 45.D2452611 GUIDE PLATE:VERTICAL TRANSPORT
- 46.D2452613 GUIDE:VERTICAL TRANSPORT
- 50.D2452634 SPRING:FEELER:REGISTRATION
- 42.D2452603 CASE:REMOVE PAPER DUST



48.D2452619
COIL SPRING:DISCHARGE



59.D2452742
FILM:COIL SPRING



60.D2452743
FILM:MANUAL FEED:LEFT



51.D2452712
HOLDER:PICKUP ROLLER



53.D2452716
PICKUP ROLLER



56.D2452722
PAPER STOPPER



55.D2452721
LINK:PAPER STOPPER



58.D2452736
HOLDER:PAD



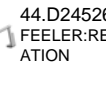
52.D2452713
FEED ROLLER



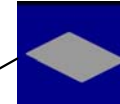
57.D2452734
SHAFT:MANUAL FEED UNIT



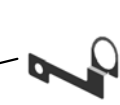
44.D2452607
FEELER:REGISTRATION



43.D2452606
FILM:TONER:REGISTRATION:REAR



49.D2452622
ELECTRODE PLATE:TRANSPORT ROLLER



61.D2452744
FILM:MANUAL FEED:RIGHT



54.D2452717
LEVER:OPEN AND CLOSE:GUIDE PLATE



U006 PAPER FEED

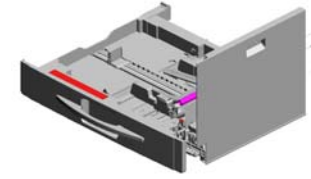
73.D2452884
DECAL:GUIDE PLATE:VERTICAL TRANSPORT

66.D2452786
COIL SPRING:PICKUP

63.D2452774
COVER:MANUAL FEED

74.D2452888
(x3)
(-NA,-EU,-AA):DECAL:PAPER SET POSITION:SIDE FENCE:FRONT

75.D2452889
(-CHN):DECAL:PAPER SET POSITION:SIDE FENCE:FRONT

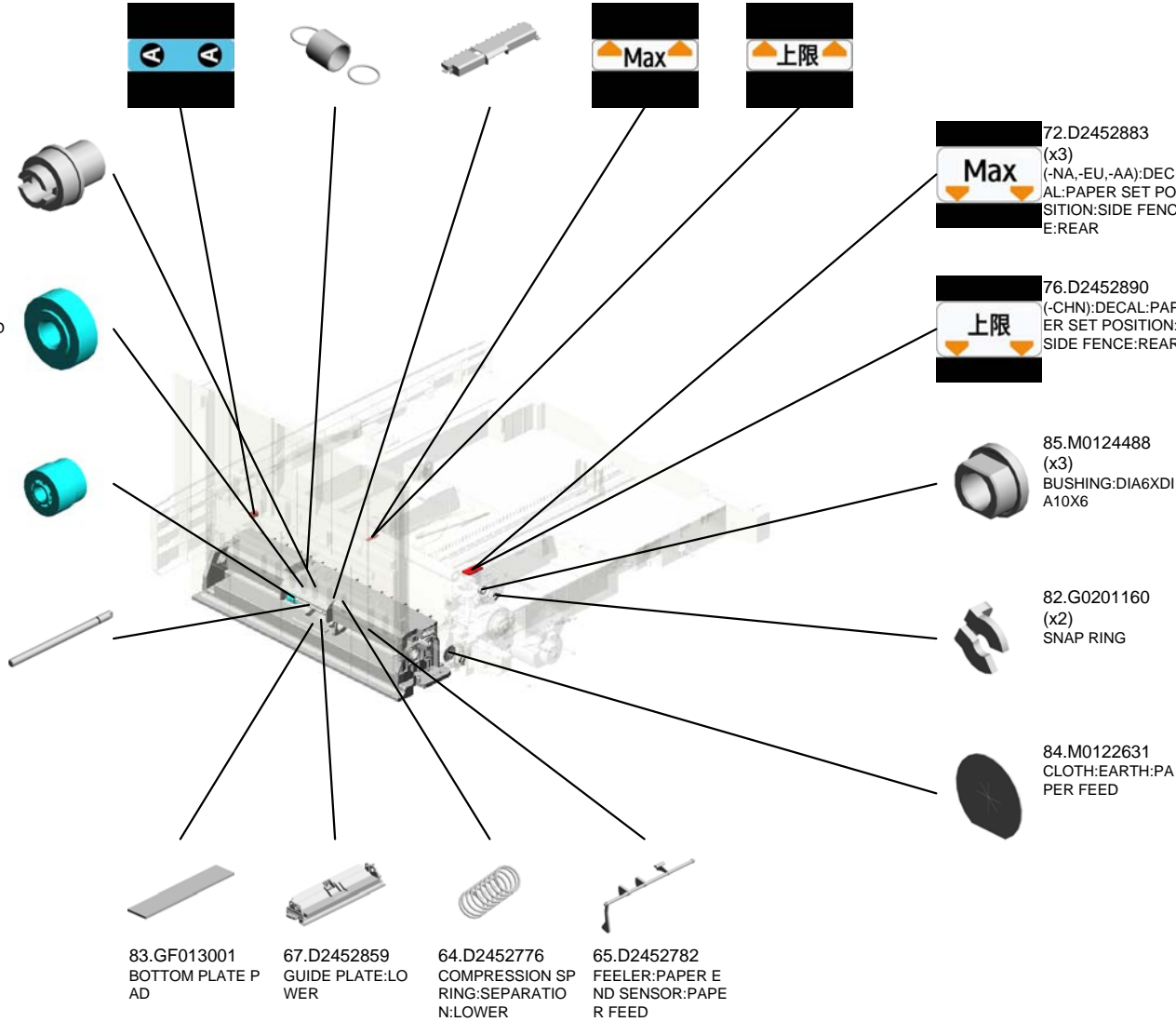


79.D6062116
GEAR:FEED

80.D6062117
(x3)
GEAR:IDLER:FEED

81.D6062118
GEAR:PICKUP

78.D6062114
SHAFT:PICKUP



U001	U002	U003	U004	U005	U006	U007	U008	U009	U010	U011	U012	U013	U014
------	------	------	------	------	------	------	------	------	------	------	------	------	------

U006_S001
PAPER TRAY:ASS'Y

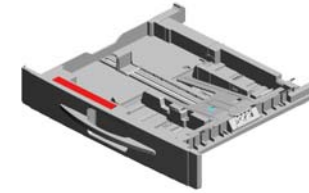
33.D2452558
END FENCE

38.D2452564
TRAY BOTTOM PLATE

15.B2232936
GEAR - 16Z

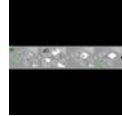
41.D2452591
COIL SPRING:EAR
TH:TRAY BOTTOM
PLATE

36.D2452562
SIDE FENCE:PAPE
R TRAY:REAR



26.D2452511
[A]
PAPER TRAY:ASS'
Y
201507-01 X/O

77.D2452891
DECAL:PAPER SE
T DIRECTION:PAP
ER TRAY



37.D2452563
COVER:PAPER TR
AY:NO.1



30.D2452538
GRIP:PAPER TRAY



4.04583010N
(x4)
HEXAGON HEAD T
APPING SCREW:3
X10



1.03603006N
SCREW - M3X6



32.D2452548
PRESSURE PLATE
:BASE:RISE



29.D2452533
SHEET:PLATE:FRI
CTION PAD



6.08050104
RETAINING RINGS
-E:SILENCER:DIA4



28.D2452525
SHAFT:BASE:RISE:
ASSY



83.GF013001
BOTTOM PLATE P
AD



39.D2452576
HOLDER:ADHESIO
N
201608-02 X/O



34.D2452559
COIL SPRING:FRI
CTION PAD

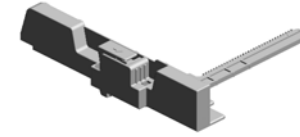
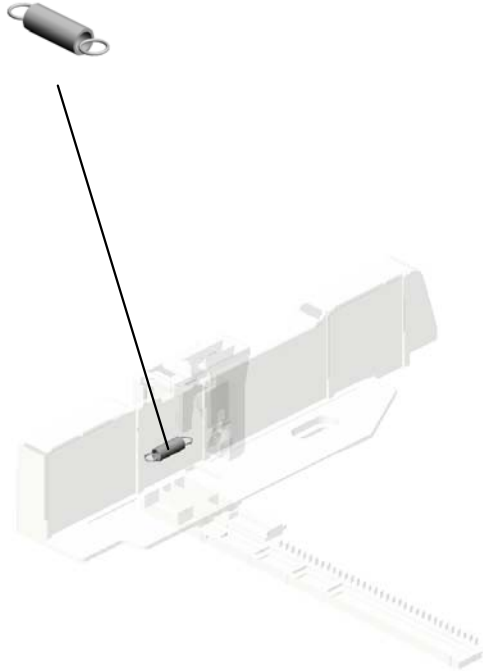


D2452520
[A]
PAPER TRAY:ASS'
Y
201507-01 X/O

U001	U002	U003	U004	U005	U006	U007	U008	U009	U010	U011	U012	U013	U014
------	------	------	------	------	------	------	------	------	------	------	------	------	------

U006_S001_S001
SIDE FENCE:FRONT:ASS'Y

25.D1582593
COIL SPRING:STO
PPER:SIDE FENCE
:FRONT

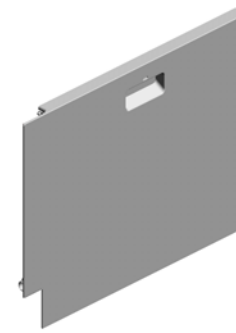


35.D2452560
SIDE FENCE:FRON
T:ASS'Y

U001	U002	U003	U004	U005	U006	U007	U008	U009	U010	U011	U012	U013	U014
------	------	------	------	------	-------------	------	------	------	------	------	------	------	------

U006_S002
 MANUAL FEED TABLE:ASS'Y

19.D0392751 (x2) RACK:SIDE FENCE:REAR
 70.D2452878 EXTENSION TRAY:MANUAL FEED TABLE
 23.D0392788 PIN:SIDE FENCE
 21.D0392753 GEAR:SIDE FENCE



71.D2452880
 MANUAL FEED TABLE:ASS'Y

62.D2452751
 DECAL:MANUAL FEED



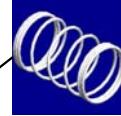
68.D2452868
 SIDE FENCE:MANUAL FEED:FRONT



69.D2452869
 SIDE FENCE:MANUAL FEED:REAR



22.D0392754
 SPRING:SIDE FENCE



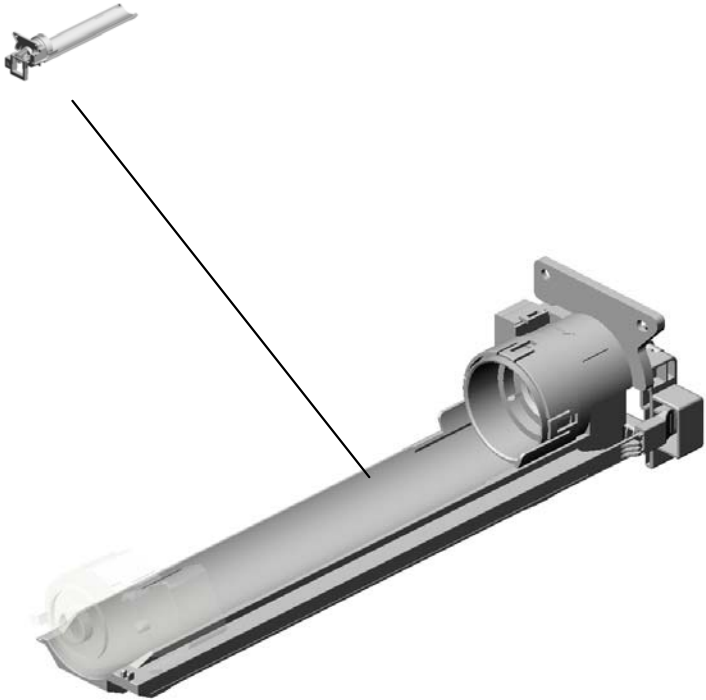
20.D0392752
 DISC:SIDE FENCE



U001	U002	U003	U004	U005	U006	U007	U008	U009	U010	U011	U012	U013	U014
------	------	------	------	------	------	------	------	------	------	------	------	------	------

U007.TONER SUPPLY

U007_S001
D2453032
TONER SUPPLY UNIT:ASSY



U001	U002	U003	U004	U005	U006	U007	U008	U009	U010	U011	U012	U013	U014
------	------	------	------	------	------	------	------	------	------	------	------	------	------

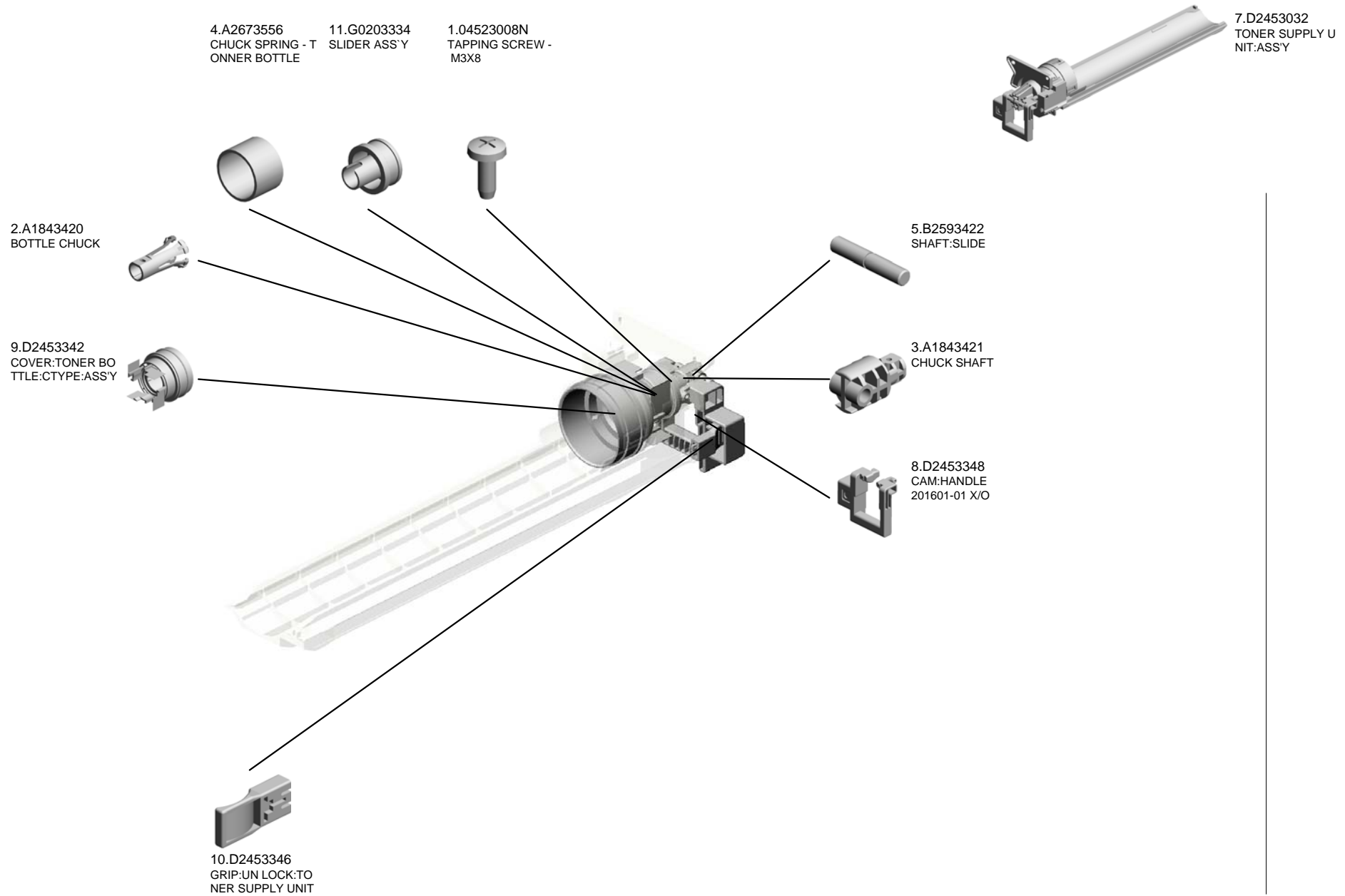
U007
TONER SUPPLY

6.D0853616
DC MOTOR:TONE
R BOTTLE:Z:2.52W
:ASSY



U001	U002	U003	U004	U005	U006	U007	U008	U009	U010	U011	U012	U013	U014
------	------	------	------	------	------	------	------	------	------	------	------	------	------

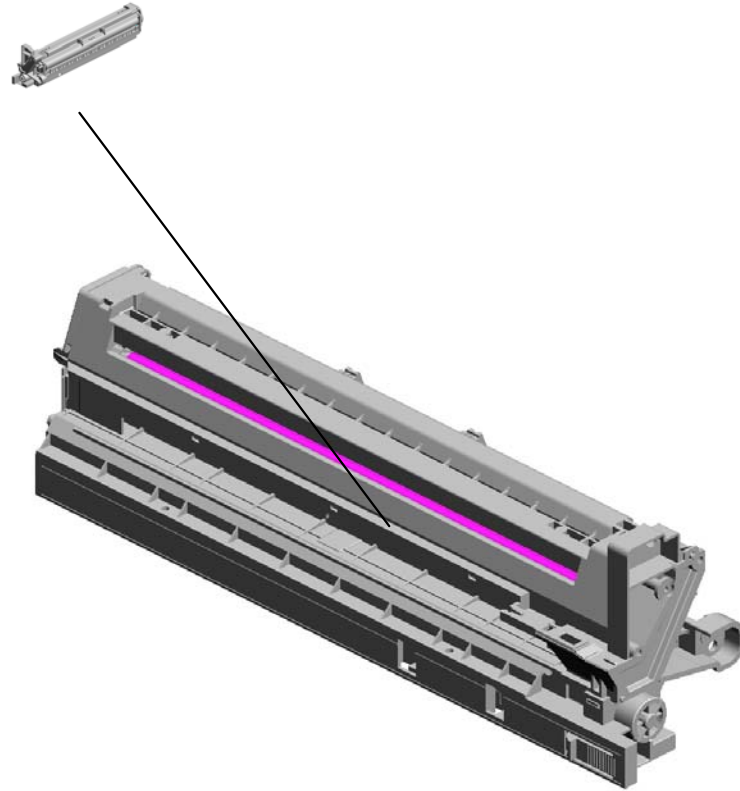
U007_S001
 TONER SUPPLY UNIT:ASS'Y



U001	U002	U003	U004	U005	U006	U007	U008	U009	U010	U011	U012	U013	U014
------	------	------	------	------	------	------	------	------	------	------	------	------	------

U008.PCDU

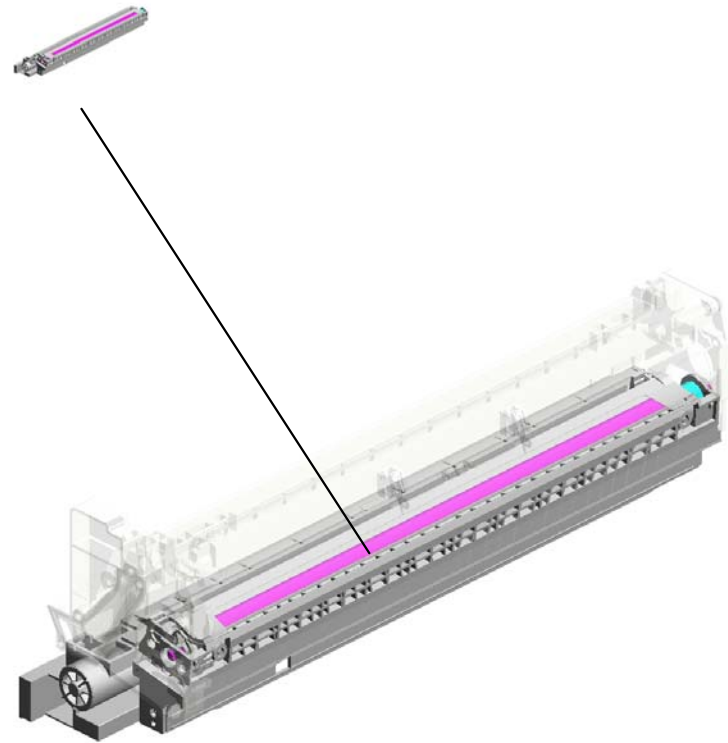
U008_S001
D8840151
PROCESSES AROUND PHO
TOCONDUCTOR:SERVICE



U001	U002	U003	U004	U005	U006	U007	U008	U009	U010	U011	U012	U013	U014
------	------	------	------	------	------	------	------	------	------	------	------	------	------

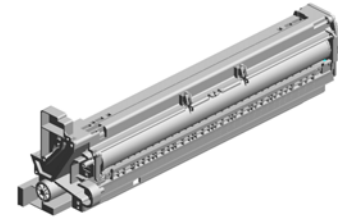
U008_S001.PROCESSES AROUND PHOTOCONDUCTOR:SERVICE

U008_S001_S001
D2453001
DEVELOPMENT UNIT:PCU:A
SS'Y



U001	U002	U003	U004	U005	U006	U007	U008	U009	U010	U011	U012	U013	U014
------	------	------	------	------	------	------	------	------	------	------	------	------	------

U008
PCDU



30.D2459640
DEVELOPER:K

3.04513008N (x 1)
TAPPING SCREW - M3X8

U001	U002	U003	U004	U005	U006	U007	U008	U009	U010	U011	U012	U013	U014
------	------	------	------	------	------	------	-------------	------	------	------	------	------	------

U008_S001 PROCESSES AROUND PHOTOCONDUCTOR:SERVICE

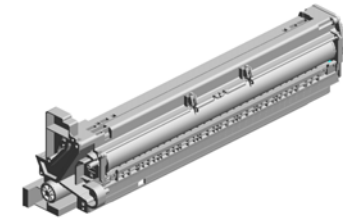
16.B0392293
PIN - FRONT PRES
SURE ARM

15.B0392292
FRONT PRESSUR
E ARM - CHARGE
ROLLER

1.03530060N
(x2)
BIND SCREW - M3
X6

23.D2452281
BLADE:CLEANING:
ASS'Y

22.D2452272
TRANSPORT SCR
EW:DISCHARGE U
SED TONER



31.D8840151
[A]
PROCESSES ARO
UND PHOTOCOND
UCTOR:SERVICE
201605-03 O/O

13.B0392287
(x2)
CHARGE ROLLER
SPRING

11.B0392274
RECYCLED TONE
R PLATE

17.B0392323
SEAL:COVER:PCU:
FRONT

21.D1582362
DRUM STAY:FRON
T

2.03603006N
(x3)
SCREW - M3X6

10.AD027018
ROLLER:CHARGE:
A3

20.B0399510
OPC DRUM

18.B0392335
(x2)
PICKOFF PAWL

14.B0392288
CAM - CLEANING B
LADE

6.A2673440
DEVELOPMENT JO
INT

4.04523008N (x 2)
TAPPING SCREW - M3X8

7.AA143444
STEPPED SCREW

8.AB011402
GEAR - 14Z

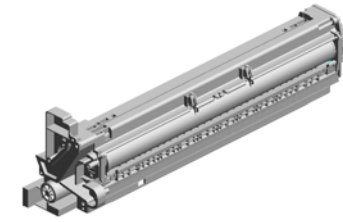
5.07360610
BUSHING 6X10

9.AB011403
GEAR - 13Z

12.B0392276
REAR BUSHING - T
ONER COIL

U008_S001
PROCESSES AROUND PHOTOCONDUCTOR:SERVICE

24.D2452294
BRUSH ROLLER:CHARGE
LEANER:CHARGE



31.D8840151
[A]
PROCESSES AROUND PHOTOCONDUCTOR:SERVICE
201605-03 O/O

26.D2452322
COVER:PCU:FRONT



27.D2452378
DRUM STAY:REAR
:ASS'Y
201602-01 X/O



25.D2452295
ARM:PRESSURE:CHARGE:REAR:ASS'Y



D8840150
[A]
PCDU
201605-03 O/O

U001	U002	U003	U004	U005	U006	U007	U008	U009	U010	U011	U012	U013	U014
------	------	------	------	------	------	------	------	------	------	------	------	------	------

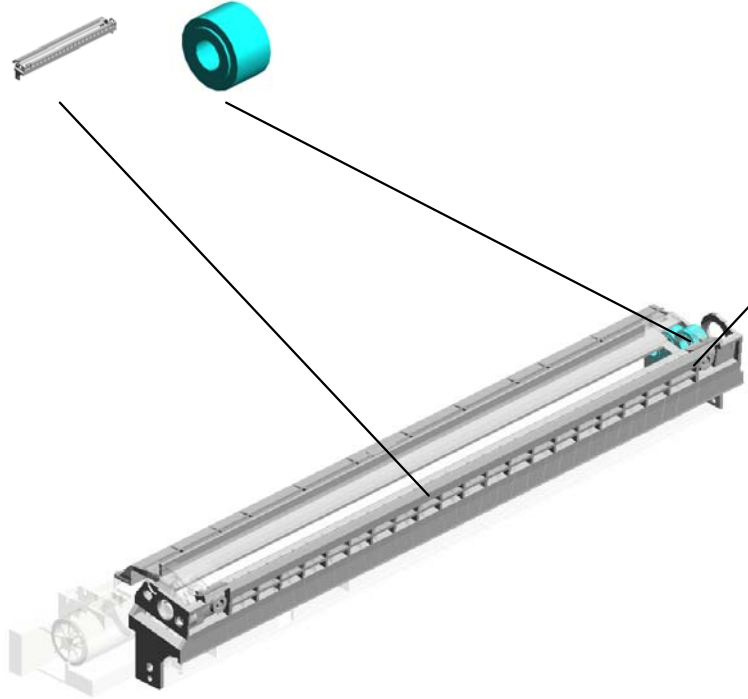
U008_S001_S001
 DEVELOPMENT UNIT:PCU:ASS'Y

32.D2453151
 CASE:DEVELOPM
 ENT ROLLER

29.D2453064
 (x2)
 GEAR:IDLER
 201606-02 X/X



28.D2453001
 [A]
 DEVELOPMENT U
 NIT:PCU:ASS'Y
 201605-01 O/O



19.D2453245
 (x2)
 GEAR:TRANSPOR
 T SCREW
 201606-03 X/X

2.03603006N (x 6)
 SCREW - M3X6



D2453000
 [A]
 DEVELOPMENT U
 NIT:PCU:ASS'Y
 201605-01 O/O

U001	U002	U003	U004	U005	U006	U007	U008	U009	U010	U011	U012	U013	U014
------	------	------	------	------	------	------	------	------	------	------	------	------	------

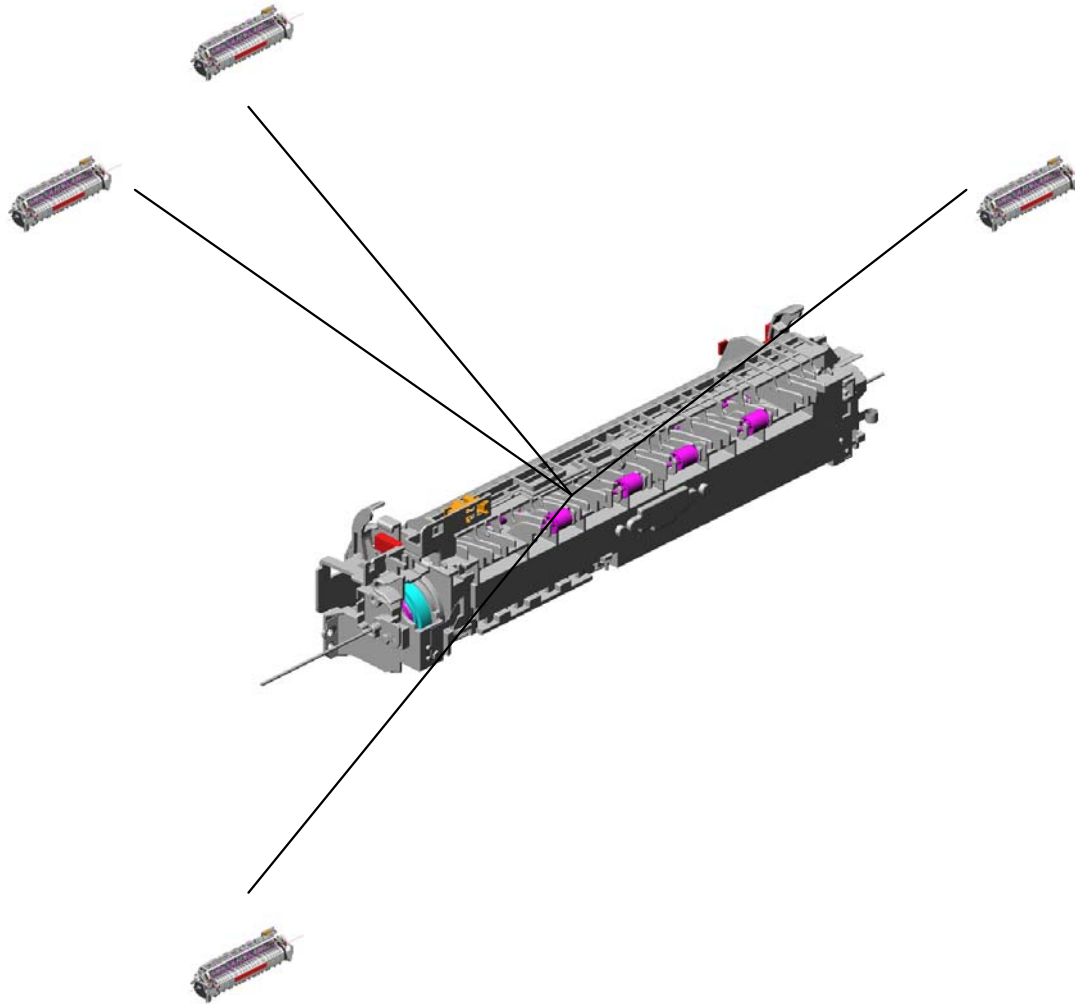
U009.FUSING

U009_S001
D2454009
(-NA):FUSING/PAPER EXIT U
NIT:120V:ASS'Y

U009_S002
D2454001
(-EU,-AA,-CHN):FUSING/PAP
ER EXIT UNIT:ASS'Y

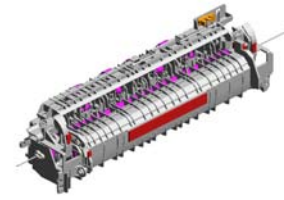
U009_S003
D2454001
(-EU,-AA,-CHN):FUSING/PAP
ER EXIT UNIT:ASS'Y

U009_S004
D2454001
(-EU,-AA,-CHN):FUSING/PAP
ER EXIT UNIT:ASS'Y



U001	U002	U003	U004	U005	U006	U007	U008	U009	U010	U011	U012	U013	U014
------	------	------	------	------	------	------	------	------	------	------	------	------	------

U009
FUSING



6.09543010N (x 2)
SCREW:POLISHED ROUND/SPRING:M
3X10

U001	U002	U003	U004	U005	U006	U007	U008	U009	U010	U011	U012	U013	U014
------	------	------	------	------	------	------	------	------	------	------	------	------	------

U009_S001

(-NA):FUSING/PAPER EXIT UNIT:120V:ASS'Y

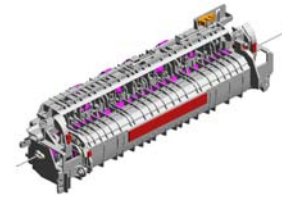
13.AF040102
(x4)
EXIT ROLLER:DRIVE
EN
201601-02 X/O

15.AW100167
THERMISTOR:FUSING

19.D2054418
(x4)
ROLLER:MIDDLE:FUSING

28.D2454114
ELECTRODE PLATE:REAR

14.AW020224
PHOTOINTERRUPTOR:GP1A173LCSVF
201605-02 O/O



48.D2454009
[A]
(-NA):FUSING/PAPER EXIT UNIT:120V:ASS'Y
201601-03 X/O

18.D2054113
(x2)
BRACKET:THERMOSTAT

17.D1584120
THERMOSTAT:ASS'Y

10.AE011133
HOT ROLLER:DIA30

25.D2454111
ELECTRODE PLATE:FRONT

4.08046123
(x2)
HEXAGONAL BOLT:W/WASHER:M3X8

29.D2454115
FUSING ENTRANCE GUIDE PLATE

11.AE020235
PRESSURE ROLLER:MM25

22.D2454054
FRAME:PRESSURE:PRINTING
201609-02

27.D2454113
(-NA):HEATER:120V:700W:INFRARED:ASS'Y

24.D2454107
GUIDE PLATE:PRESSURE:DUPLIX

8.AA066640
(x2)
PRESSURE SPRING

4.08046123
(x4)
HEXAGONAL BOLT:W/WASHER:M3X8

5.08046128
(x7)
HEXAGONAL BOLT:DOUBLE SCREW:M3X10

23.D2454090
HOLDER:HEATER:REAR

9.AB011621
GEAR:HOT ROLLER

16.D1175916
STEPPED SCREW:M3X8:SECOND KIND

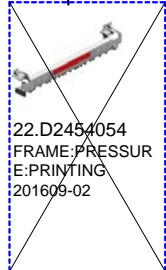
7.AA066637
(x4)
STRIPPER PAWLS PRING

1.03130060N (x 1)
SCREW - M3X6

2.04583008N (x 3)
HEXAGON HEAD TAPPING SCREW:3X8

3.04583010N (x 1)
HEXAGON HEAD TAPPING SCREW:3X10

12.AE044073
(x4)
STRIPPER PAWLS



U001	U002	U003	U004	U005	U006	U007	U008	U009	U010	U011	U012	U013	U014
------	------	------	------	------	------	------	------	------	------	------	------	------	------

U009_S001

(-NA):FUSING/PAPER EXIT UNIT:120V:ASS'Y

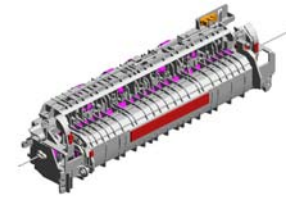
33.D2454153
LEVER:PRESSURE
RELEASE:FRONT

38.D2454331
LEVER:PRESSURE
ROLLER:FRONT:AS
S'Y

45.D2458918
(x2)
DECAL:FUSING SU
B-UNIT:GRIP:C2

40.D2454421
GUIDE PLATE:EXIT
201601-04 X/O

42.D2454467
(x4)
COIL SPRING:PRE
SSURE:EXIT ROLL
ER



48.D2454009

[A]
(-NA):FUSING/PAP
ER EXIT UNIT:120V
:ASS'Y
201601-03 X/O

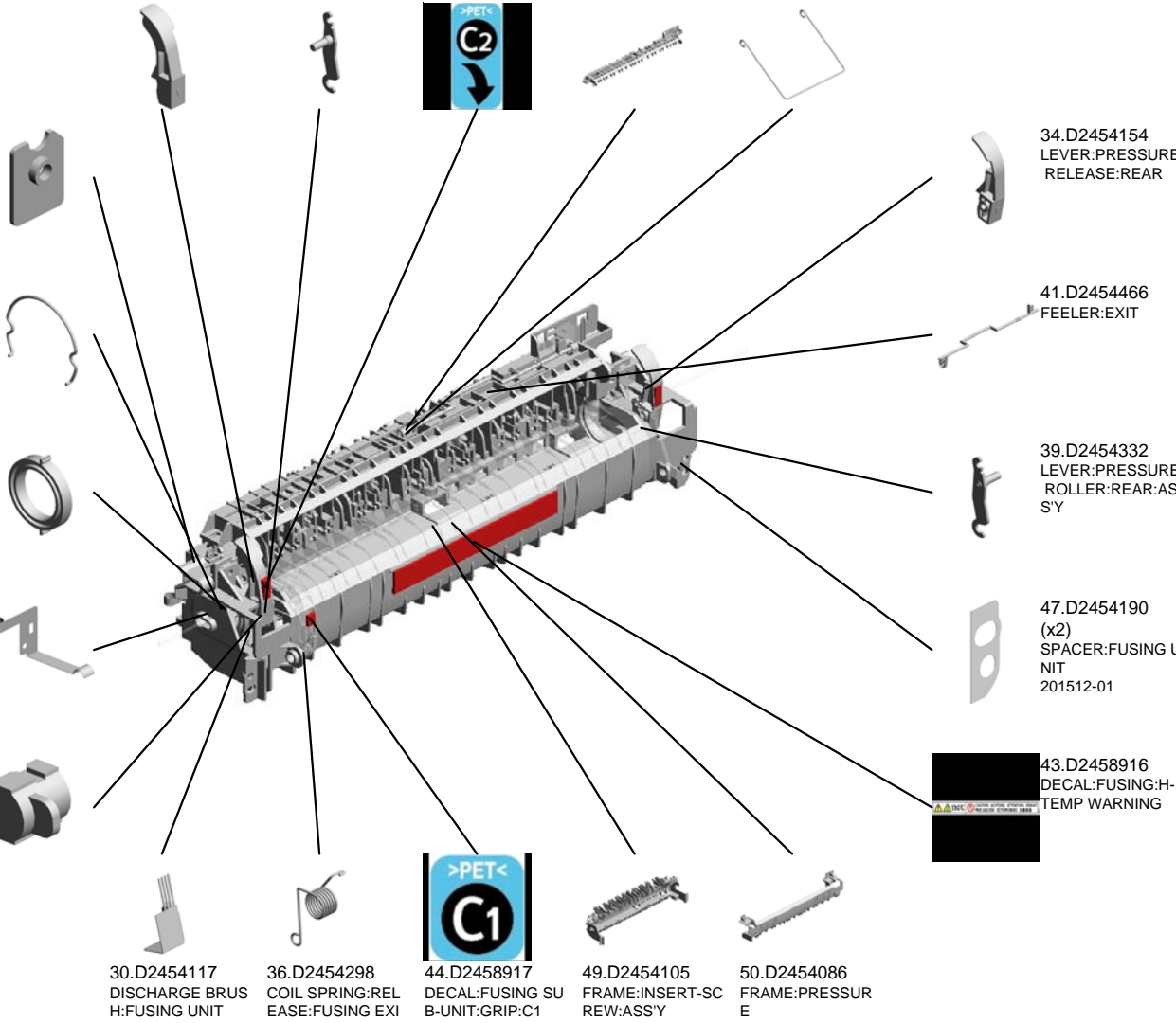
46.M1874102
(x6)
FLAT NUT:FRAME

32.D2454140
(x2)
RETAINING RINGS
-C:HOT ROLLER

37.D2454299
(x2)
PLAIN SHAFT BEA
RING:HOT ROLLER

31.D2454118
GROUND PLATE:F
USING

35.D2454174
(x2)
BUSHING:PRESSU
RE ROLLER



30.D2454117
DISCHARGE BRUS
H:FUSING UNIT

36.D2454298
COIL SPRING:REL
EASE:FUSING EXI
T

44.D2458917
DECAL:FUSING SU
B-UNIT:GRIP:C1

49.D2454105
FRAME:INSERT-SC
REW:ASS'Y

50.D2454086
FRAME:PRESSUR
E

34.D2454154
LEVER:PRESSURE
RELEASE:REAR

41.D2454466
FEELER:EXIT

39.D2454332
LEVER:PRESSURE
ROLLER:REAR:AS
S'Y

47.D2454190
(x2)
SPACER:FUSING U
NIT
201512-01

43.D2458916
DECAL:FUSING:H-
TEMP WARNING

D2454004
[A]
(-NA):FUSING/PAP
ER EXIT UNIT:ASS'
Y
201601-03 X/O

U001	U002	U003	U004	U005	U006	U007	U008	U009	U010	U011	U012	U013	U014
------	------	------	------	------	------	------	------	------	------	------	------	------	------

U009_S002
 (-EU,-AA,-CHN):FUSING/PAPER EXIT UNIT:ASS'Y

50.D2454086
 FRAME:PRESSUR
 E

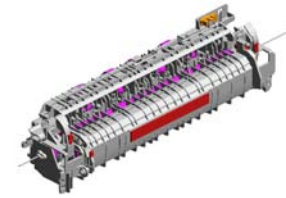
49.D2454105
 FRAME:INSERT-SC
 REW:ASS'Y

40.D2454421
 GUIDE PLATE:EXIT
 201601-04 X/O

44.D2458917
 DECAL:FUSING SU
 B-UNIT:GRIP:C1

45.D2458918
 (x2)
 DECAL:FUSING SU
 B-UNIT:GRIP:C2

20.D2454001
 (-EU,-AA,-CHN):FU
 SING/PAPER EXIT
 UNIT:ASS'Y



43.D2458916
 DECAL:FUSING-H-
 TEMP WARNING



41.D2454466
 FEELER:EXIT



34.D2454154
 LEVER:PRESSURE
 RELEASE:REAR



39.D2454332
 LEVER:PRESSURE
 ROLLER:REAR:AS
 SY



47.D2454190
 (x2)
 SPACER:FUSING U
 NIT
 201512-01



42.D2454467
 (x4)
 COIL SPRING:PRE
 SSURE:EXIT ROLL
 ER



36.D2454298
 COIL SPRING:REL
 EASE:FUSING EXI
 T



38.D2454331
 LEVER:PRESSURE
 ROLLER:FRONT:A
 SSY



35.D2454174
 (x2)
 BUSHING:PRESSU
 RE ROLLER



30.D2454117
 DISCHARGE BRUS
 H:FUSING UNIT



33.D2454153
 LEVER:PRESSURE
 RELEASE:FRONT



46.M1874102
 (x6)
 FLAT NUT:FRAME



32.D2454140
 (x2)
 RETAINING RINGS
 -C:HOT ROLLER



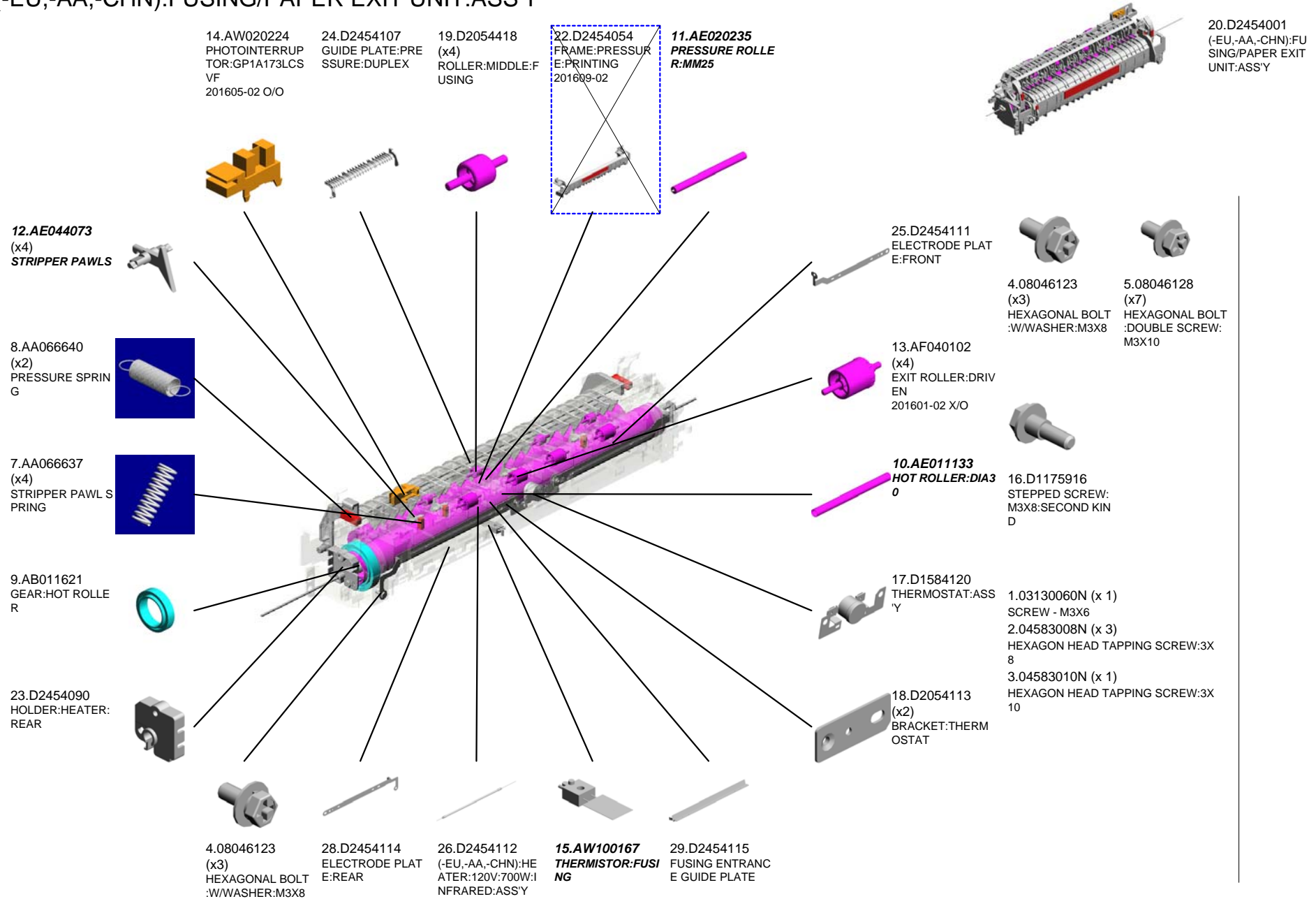
37.D2454299
 (x2)
 PLAIN SHAFT BEA
 RING:HOT ROLLER



31.D2454118
 GROUND PLATE:F
 USING

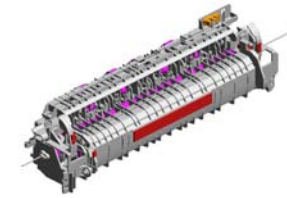


U009_S003
 (-EU,-AA,-CHN):FUSING/PAPER EXIT UNIT:ASS'Y

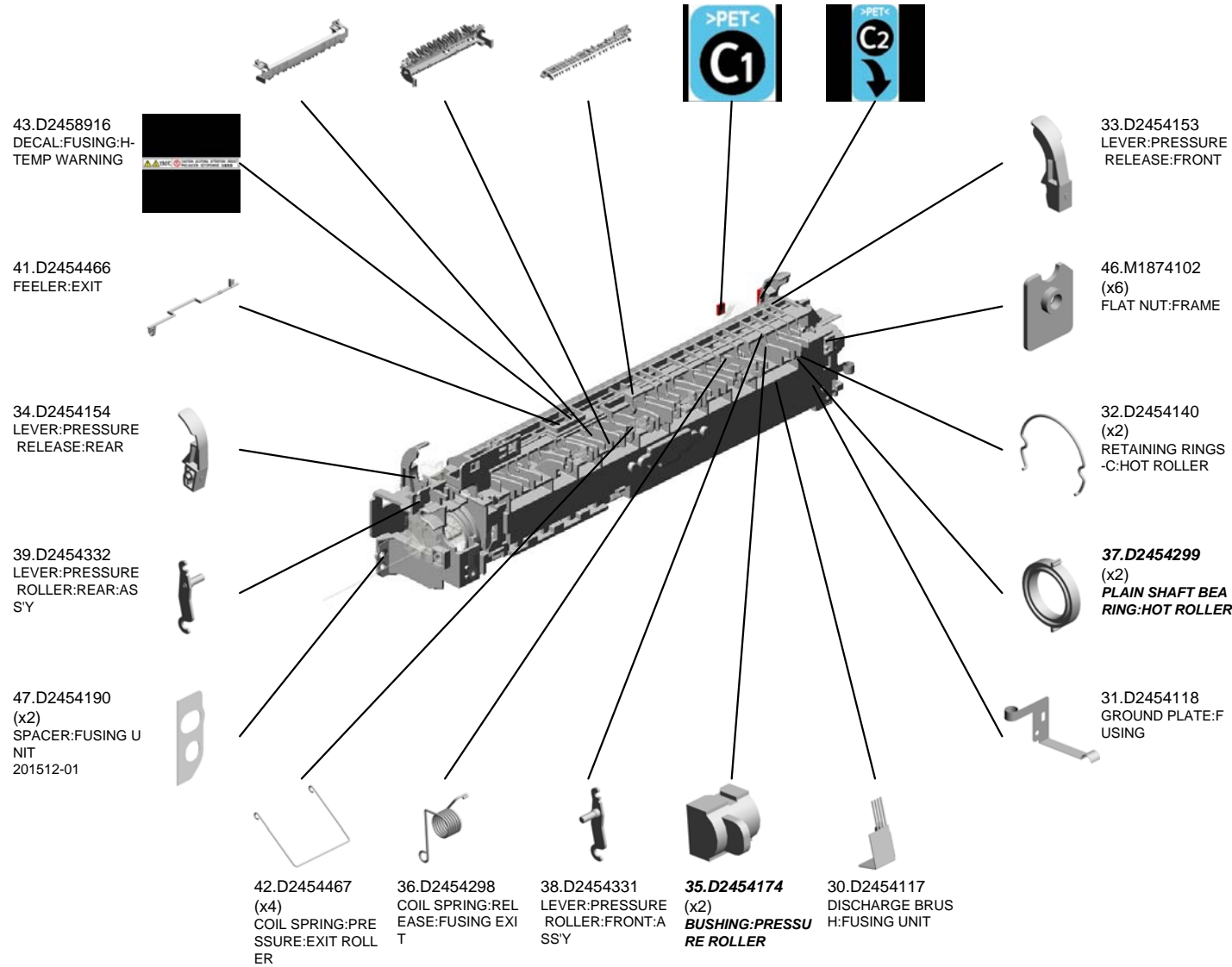


U009_S003
 (-EU,-AA,-CHN):FUSING/PAPER EXIT UNIT:ASS'Y

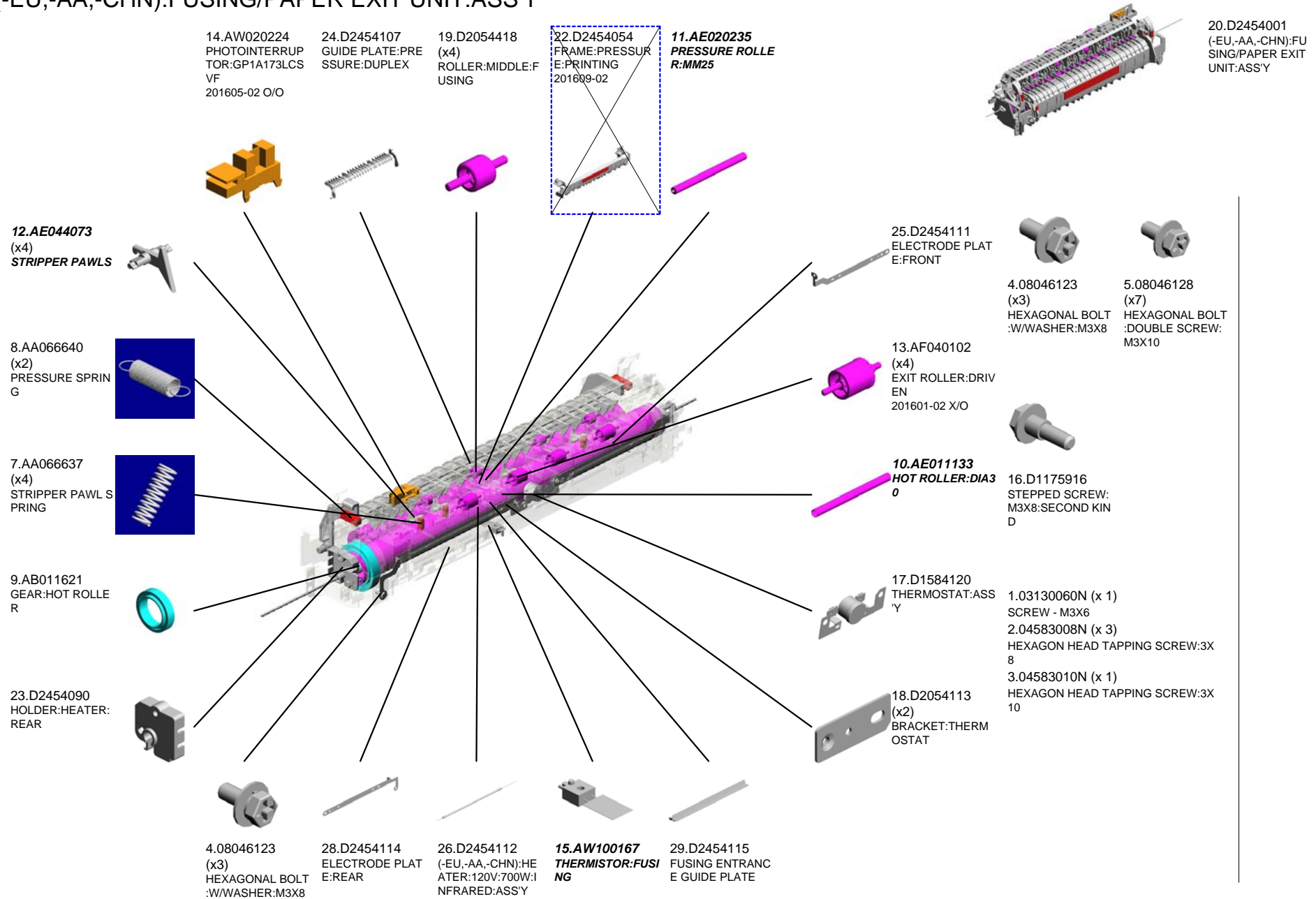
- 50.D2454086 FRAME:PRESSURE
- 49.D2454105 FRAME:INSERT-SCREW:ASS'Y
- 40.D2454421 GUIDE PLATE:EXIT 201601-04 X/O
- 44.D2458917 DECAL:FUSING SUB-UNIT:GRIP:C1
- 45.D2458918 (x2) DECAL:FUSING SUB-UNIT:GRIP:C2



20.D2454001 (-EU,-AA,-CHN):FUSING/PAPER EXIT UNIT:ASS'Y



U009_S004
 (-EU,-AA,-CHN):FUSING/PAPER EXIT UNIT:ASS'Y



U001	U002	U003	U004	U005	U006	U007	U008	U009	U010	U011	U012	U013	U014
------	------	------	------	------	------	------	------	------	------	------	------	------	------

U009_S004
 (-EU,-AA,-CHN):FUSING/PAPER EXIT UNIT:ASS'Y

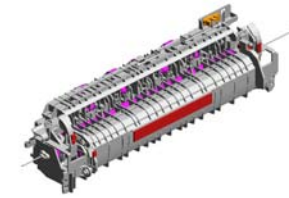
50.D2454086
 FRAME:PRESSUR
 E

49.D2454105
 FRAME:INSERT-SC
 REW:ASS'Y

40.D2454421
 GUIDE PLATE:EXIT
 201601-04 X/O

44.D2458917
 DECAL:FUSING SU
 B-UNIT:GRIP:C1

45.D2458918
 (x2)
 DECAL:FUSING SU
 B-UNIT:GRIP:C2



20.D2454001
 (-EU,-AA,-CHN):FU
 SING/PAPER EXIT
 UNIT:ASS'Y



43.D2458916
 DECAL:FUSING:H-
 TEMP WARNING



41.D2454466
 FEELER:EXIT



34.D2454154
 LEVER:PRESSURE
 RELEASE:REAR



39.D2454332
 LEVER:PRESSURE
 ROLLER:REAR:AS
 SY



47.D2454190
 (x2)
 SPACER:FUSING U
 NIT
 201512-01



42.D2454467
 (x4)
 COIL SPRING:PRE
 SSURE:EXIT ROLL
 ER



36.D2454298
 COIL SPRING:REL
 EASE:FUSING EXI
 T



38.D2454331
 LEVER:PRESSURE
 ROLLER:FRONT:A
 SSY



35.D2454174
 (x2)
 BUSHING:PRESSU
 RE ROLLER



30.D2454117
 DISCHARGE BRUS
 H:FUSING UNIT



33.D2454153
 LEVER:PRESSURE
 RELEASE:FRONT



46.M1874102
 (x6)
 FLAT NUT:FRAME



32.D2454140
 (x2)
 RETAINING RINGS
 -C:HOT ROLLER



37.D2454299
 (x2)
 PLAIN SHAFT BEA
 RING:HOT ROLLER



31.D2454118
 GROUND PLATE:F
 USING



U010 PAPER EXIT

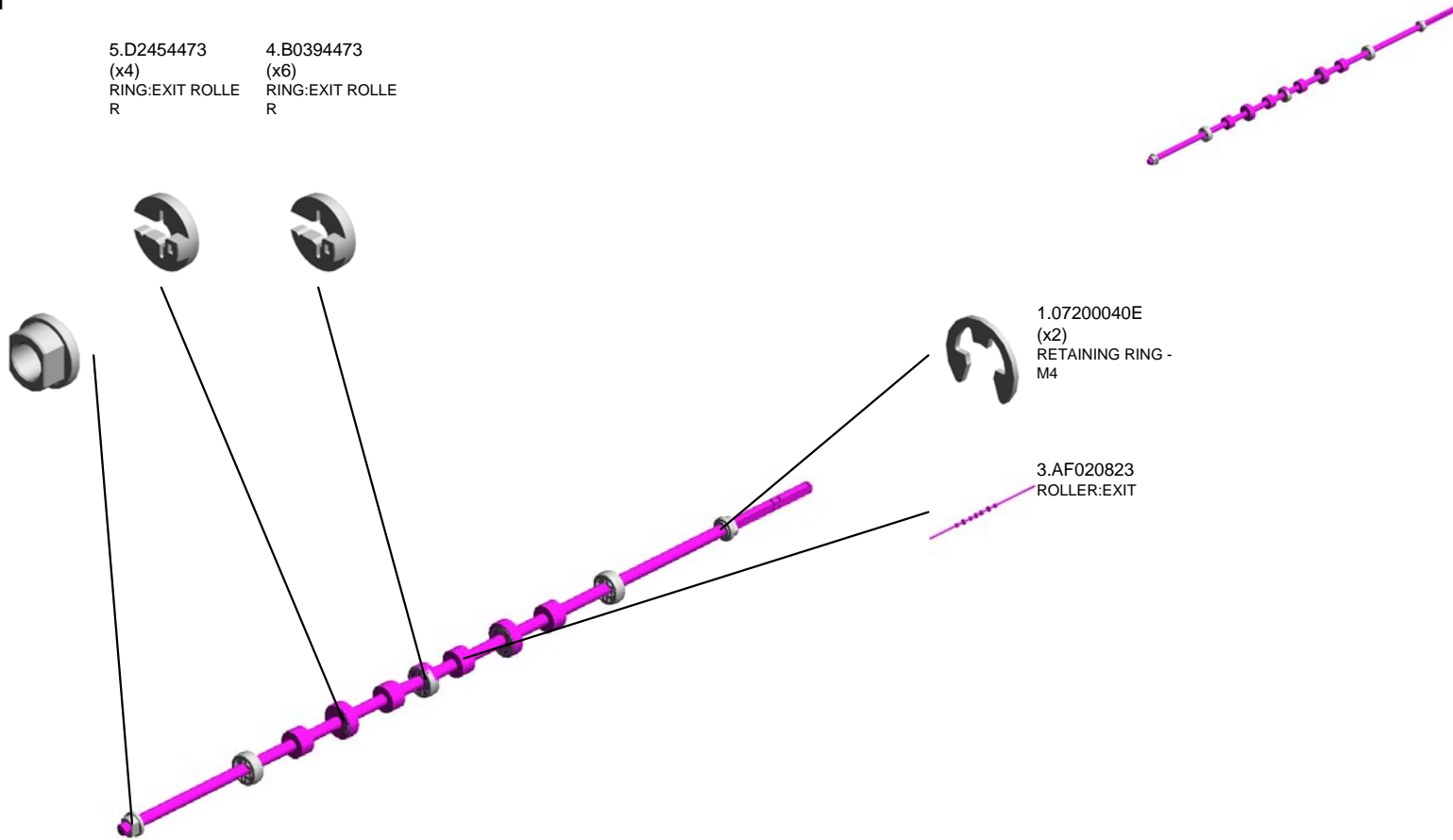
5.D2454473 (x4)
RING:EXIT ROLLE
R

4.B0394473 (x6)
RING:EXIT ROLLE
R

2.AA082184 (x2)
PLAIN SHAFT BEA
RING: DIA6XDIA10X
6

1.07200040E (x2)
RETAINING RING -
M4

3.AF020823
ROLLER:EXIT



U001	U002	U003	U004	U005	U006	U007	U008	U009	U010	U011	U012	U013	U014
------	------	------	------	------	------	------	------	------	------	------	------	------	------

U011 DUPLEX

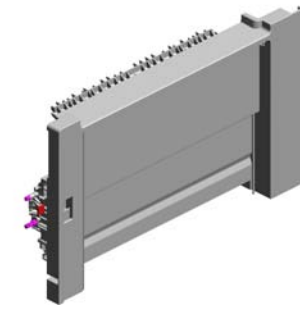
6.11050758
(x2)
CLAMP:LWSM-030
6A

7.AA063730
(x4)
COMPRESSION SP
RING:PRESSURE:T
RANSFER ROLLER

21.D2453863
TERMINAL:DISCHA
RGE

10.AF020769
TRANSPORT ROLL
ER:DRIVE:DUPLEX

12.D1175916
(x6)
STEPED SCREW:
M3X8:SECOND KIN
D



3.04583010N
(x17)
HEXAGON HEAD T
APPING SCREW:3
X10



13.D1491706
SYNCHRONOUS B
ELT:138ST1.5-4.0



22.D2453865
TERMINAL:TRAN
SFER



5.08050104
(x2)
RETAINING RINGS
-E:SILENCER:DIA4



4.08050103
RETAINING RINGS
-E:SILENCER:DIA3
201603-02



17.D2452631
COLLAR:REGISTR
ATION ROLLER:RE
AR



9.AB012635
GEAR:Z19:DRIVE:R
EGISTRATION



18.D2452640
(x2)
COMPRESSION SP
RING:REGISTRATI
ON



16.D2452627
(x2)
BUSHING:REGIST
RATION:DRIVE:FR
ONT



11.AF020824
REGISTRATION R
OLLER:DRIVE



20.D2453859
GUIDE PLATE:TRA
NSFER:UPPER



15.D2023885
DENSITY SENSOR:
AROUND THE PHO
TOCONDUCTOR



19.D2453821
TRANSFER ROLLE
R:SUB-ASS'Y



1.04543008Q (x 4)
TAPPING SCREW:3X8
2.04583008N (x 3)
HEXAGON HEAD TAPPING SCREW:3X
8
3.04583010N (x 4)
HEXAGON HEAD TAPPING SCREW:3X
10

14.D1583890
ELECTRODE PLAT
E:SEPARATION



8.AA082173
(x2)
PLAIN SHAFT BEA
RING:6X10X6



27.D2463868
SHEET:DISCHARG
E:TRANSFER



U001	U002	U003	U004	U005	U006	U007	U008	U009	U010	U011	U012	U013	U014
------	------	------	------	------	------	------	------	------	------	------	------	------	------

U011 DUPLEX

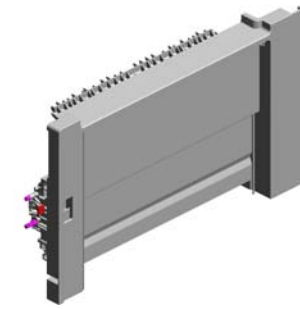
26.D2454681
PLATE:LEVER:PRE
SSURE RELEASE

23.D2453866
TERMINAL:DISCHA
RGE:FRONT

24.D2453870
(x2)
STOPPER:FRAME:
TRANSFER

36.D2464619
COVER:DUPLEX
201607-02 X/O

38.D2464638
GUIDE PLATE:ENT
RANCE:DUPLEX



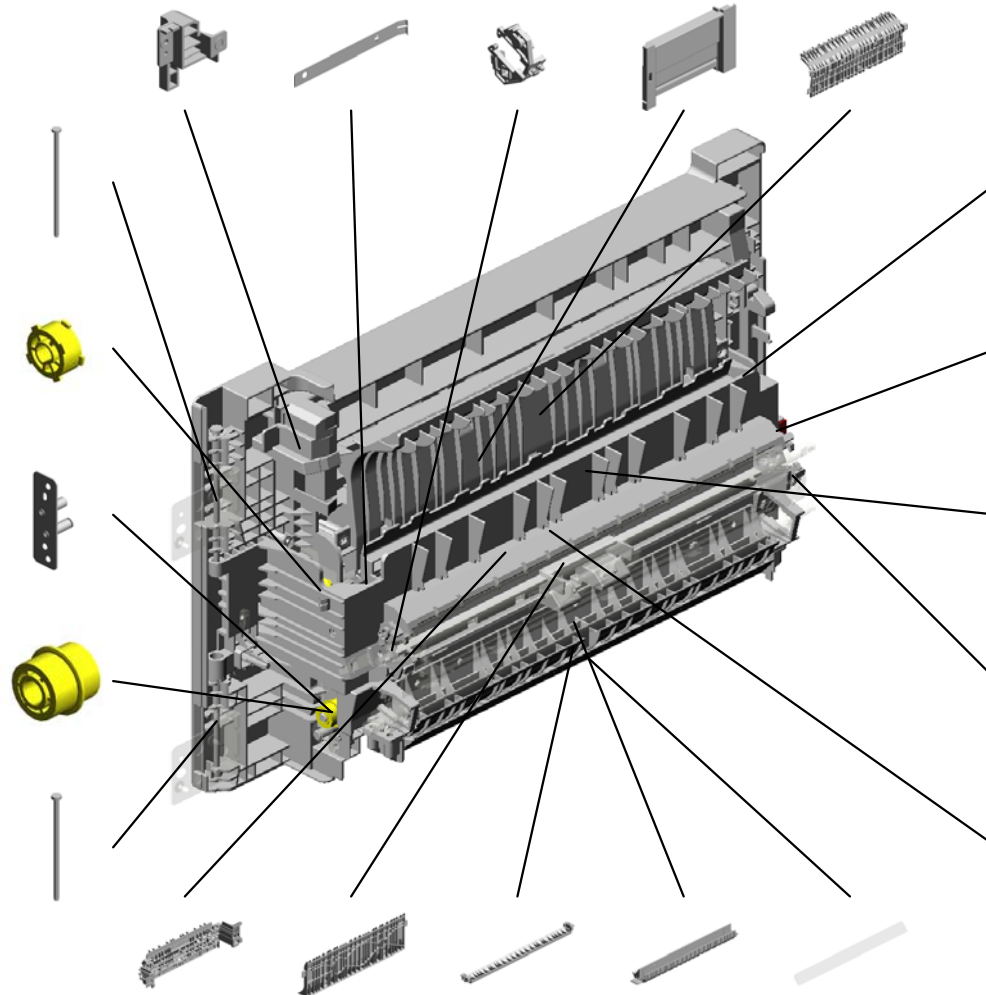
34.D2464625
SHAFT:HINGE:UPP
ER
201603-01 X/X

42.D2464655
PULLEY:DRIVE RO
LLER

41.D2464650
BRACKET:IDLER:P
ULLEY

43.D2464657
PULLEY:IDLER

37.D2464637
SHAFT:HINGE:LO
WER



40.D2464642
BUTTON:DOOR:RI
GHT

33.D2464618
DECAL:FRAME:TR
ANSFER:GRIP

39.D2464639
(x2)
ROLLER:DUPLEX

25.D2453872
SCREW:CONTACT
POINT:GUIDE PLA
TE

29.D2464614
GUIDE PLATE:DUP
LEX:MIDDLE

28.D2464612
FRAME:TRANSFER

35.D2464634
COVER:DUPLEX:N
O.2

31.D2464616
GUIDE PLATE:DUP
LEX:EXIT:LOWER

30.D2464615
GUIDE PLATE:DUP
LEX:EXIT:UPPER

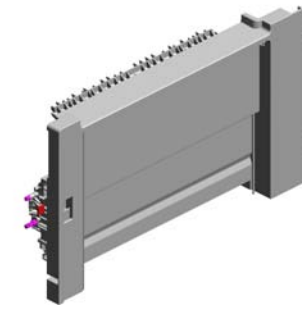
32.D2464617
SHEET:EXIT:DUPL
EX

U011 DUPLEX

52.B2232911
SPACER
201603-03

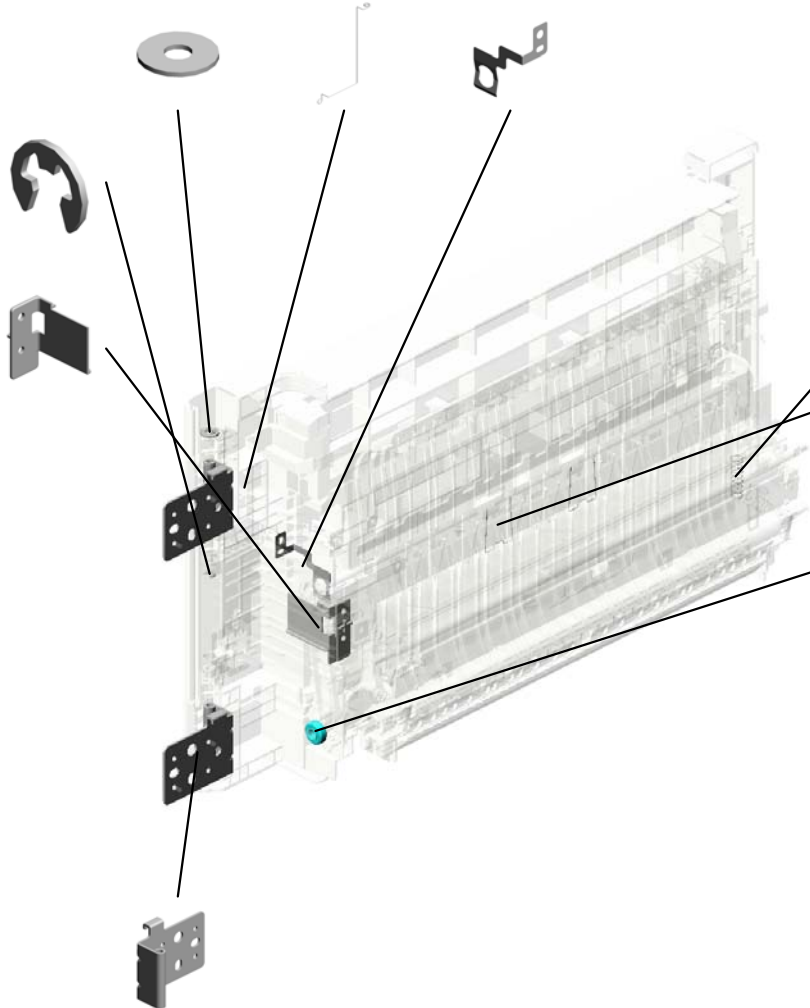
48.D2464670
GROUND WIRE:DU
PLEX:DRIVE

46.D2464662
GROUND PLATE:D
UPLEX



51.07200030E
(x2)
RETAINING RING -
M3
201603-04

49.D2464672
COVER:SENSOR:D
UPLEX



50.D2464699
COMPRESSION SP
RING:LEVER

47.D2464664
(x2)
COIL SPRING:PRE
SSURE:DRIVEN:D
UPLEX

44.D2464659
GEAR:IDLER:DUPL
EX

45.D2464660
(x2)
BRACKET:HINGE

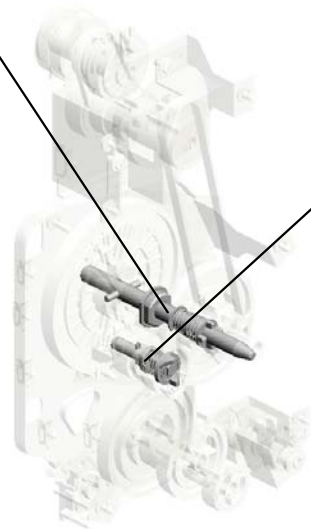
U001	U002	U003	U004	U005	U006	U007	U008	U009	U010	U011	U012	U013	U014
------	------	------	------	------	------	------	------	------	------	------	------	------	------

U012.MAIN DRIVE

U012_S001
D2451169
SHAFT:DRUM:DRIVE:ASS'Y

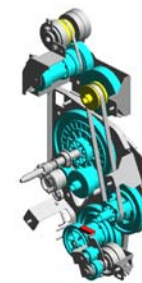


U012_S002
D2451185
SHAFT:DEVELOPMENT:ASS'
Y



U001	U002	U003	U004	U005	U006	U007	U008	U009	U010	U011	U012	U013	U014
------	------	------	------	------	------	------	------	------	------	------	------	------	------

U012 MAIN DRIVE



5.04583010N (x2) HEXAGON HEAD TAPPING SCREW:3 X10
 16.AB010600 GEAR:DRUM:DRIVE
 11.11050760 (x2) CLAMP:LWSM-051 1A
 20.AB010607 GEAR:FUSING/PAPER EXIT UNIT:NO.1
 12.AA043707 SYNCHRONOUS BELT:50S3M312

14.AA082144 BUSHING - 8X12X7

6.07200040E RETAINING RING - M4

15.AA082184 (x3) PLAIN SHAFT BEARING: DIA6X DIA10X 6

17.AB010601 GEAR:DRIVE:DEVELOPMENT ROLLER

4.04583008N HEXAGON HEAD TAPPING SCREW:3 X8

9.11050758 (x6) CLAMP:LWSM-030 6A

8.08050104 (x6) RETAINING RINGS -E:SILENCER:DIA4

18.AB010603 GEAR:TRANSPORT: NO.1

10.11050759 CLAMP:LWSM-060 5A

21.AB010608 GEAR:MANUAL FEED: IDLER

3.04543006Q (x6) TAPPING SCREW - M3X6

2.04513006N (x6) TAPPING SCREW - 3X6

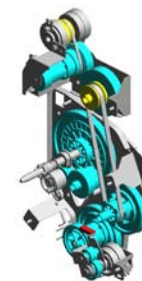
1.03603006N (x4) SCREW - M3X6

19.AB010604 GEAR:DUPLIX:NO. 1

13.AA080346 (x2) BUSHING:FLANGE TYPE:DIA6

2.04513006N (x 2) TAPPING SCREW - 3X6
 6.07200040E (x 2) RETAINING RING - M4

U012 MAIN DRIVE



- 32.AX201014 ELECTROMAGNET IC CLUTCH:0.35N/M:REVERSE EXIT
- 28.AB030908 PULLEY:EXIT:DUPLEX
- 31.AX201013 ELECTROMAGNET IC CLUTCH:0.35N/M:REVERSE
- 22.AB011665 GEAR:FUSING:DRIVE
- 27.AB030906 PULLEY:FUSING/PAPER EXIT UNIT:NO.1

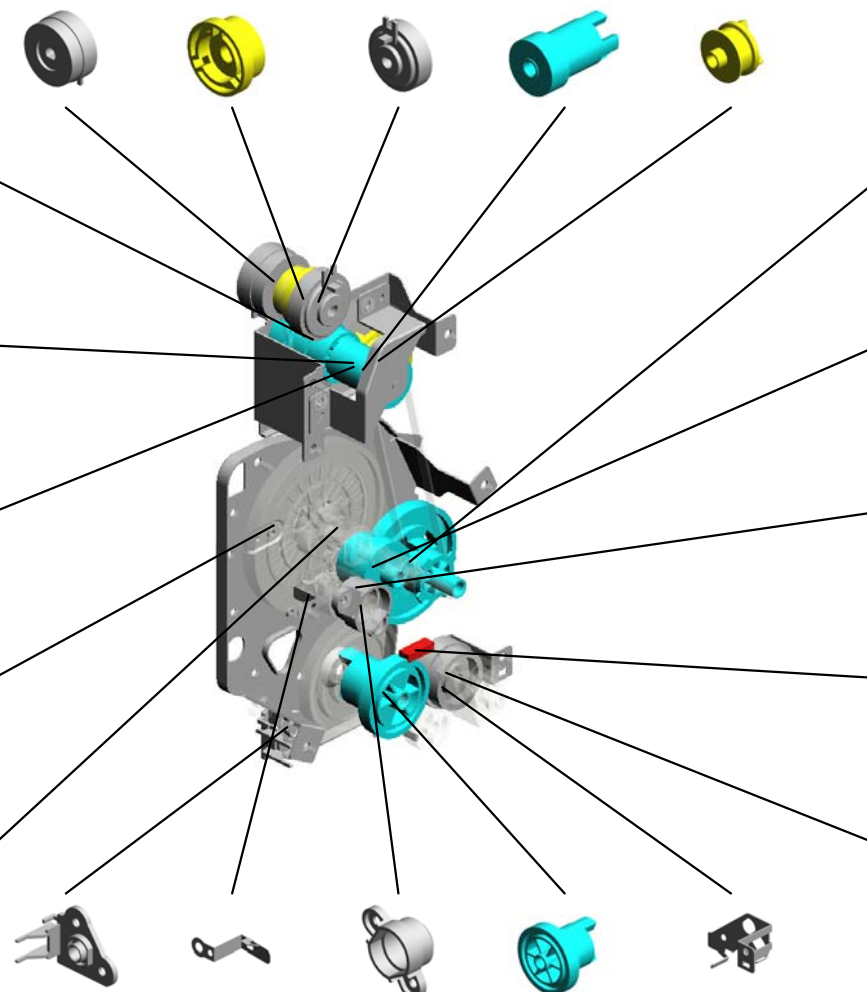
23.AB017948
[A]
GEAR:PULLEY:FUSING/PAPER EXIT UNIT:NO.2
201610-02 X/O

41.D2451184
BRACKET:FUSING:FRONT:PEEN

43.D2451195
BRACKET:FUSING:DRIVE:REAR

34.D2021137
GROUND PLATE:PHTOCONDUCTOR

29.AX060602
BRUSHLESS MOTOR:18.3W:B-C1-N



24.AB017867
GEAR:PULLEY:FUSING:TRANSPORT

26.AB017869
GEAR:DEVELOPMENT:DRIVE:IDLER

40.D2451170
BRACKET:DRIVE:1MM:REAR

33.B1211162
SMALL SPRING

30.AX201004
MAGNETIC CLUTCH:0.35N/M:Z51

35.D2451115
HOLDER:PAPER FEED:ELECTROMAGNETIC CLUTCH

38.D2451166
GROUND PLATE:DEVELOPMENT

37.D2451159
HOLDER:DEVELOPMENT

25.AB017949
GEAR:TRANSPORT:NO.2
201609-03 X/O

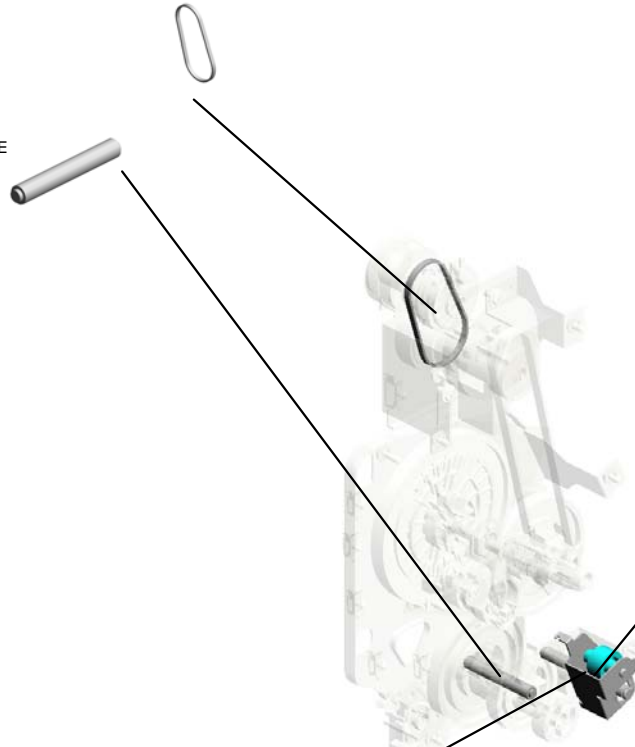
36.D2451149
BRACKET:MANUAL FEED:DRIVE

U001	U002	U003	U004	U005	U006	U007	U008	U009	U010	U011	U012	U013	U014
------	------	------	------	------	------	------	------	------	------	------	------	------	------

U012 MAIN DRIVE

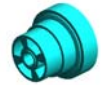
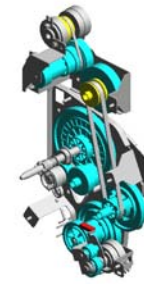
47.M0264466
TIMING BELT:30S2
M144

44.D2452531
SHAFT:PAPER FEE
D:DRIVE:ASS'Y



46.D2461157
BRACKET:DUPLEX
:SWIVEL

45.D2461110
SHAFT:DUPLEX:EL
ECTROMAGNETIC
CLUTCH

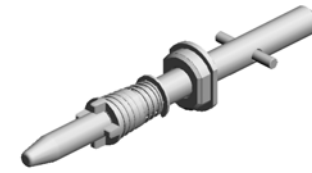


AB017866
[A]
GEAR:PULLEY:FU
SING/PAPER EXIT
UNIT:NO.2
201610-02 X/O

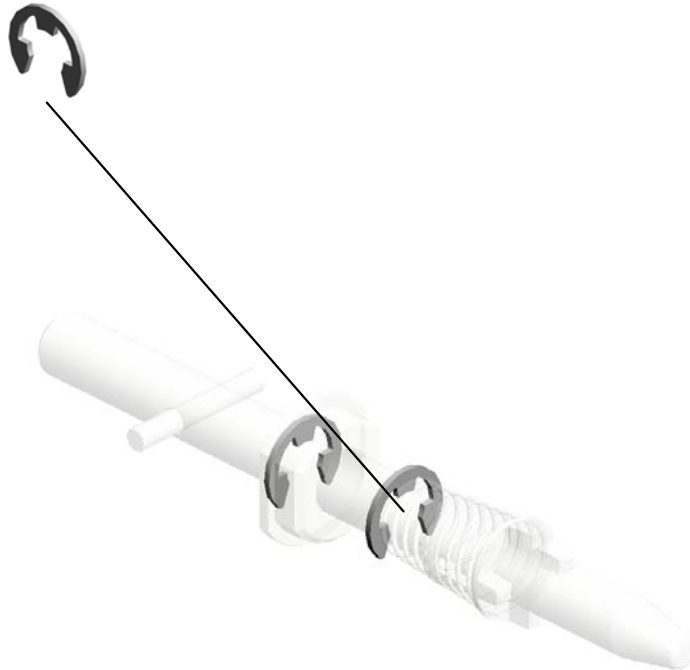
U001	U002	U003	U004	U005	U006	U007	U008	U009	U010	U011	U012	U013	U014
------	------	------	------	------	------	------	------	------	------	------	------	------	------

U012_S001
SHAFT:DRUM:DRIVE:ASS'Y

7.07200060E
(x2)
RETAINING RING -
M6



39.D2451169
SHAFT:DRUM:DRI
VE:ASSY



U001	U002	U003	U004	U005	U006	U007	U008	U009	U010	U011	U012	U013	U014
------	------	------	------	------	------	------	------	------	------	------	------	------	------

U012_S002
SHAFT:DEVELOPMENT:ASS'Y

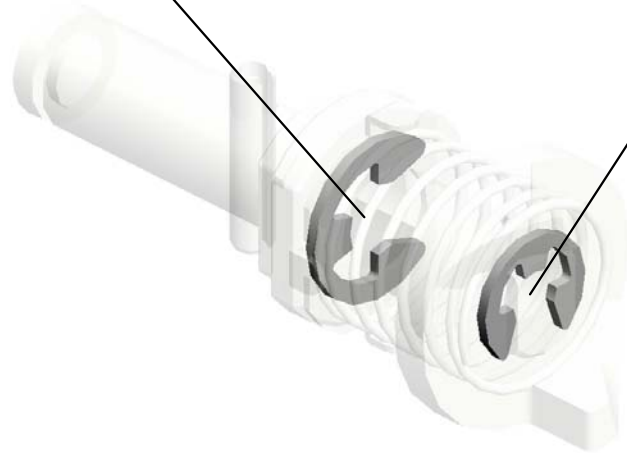
6.07200040E
RETAINING RING -
M4



42.D2451185
SHAFT:DEVELOPM
ENT:ASS'Y

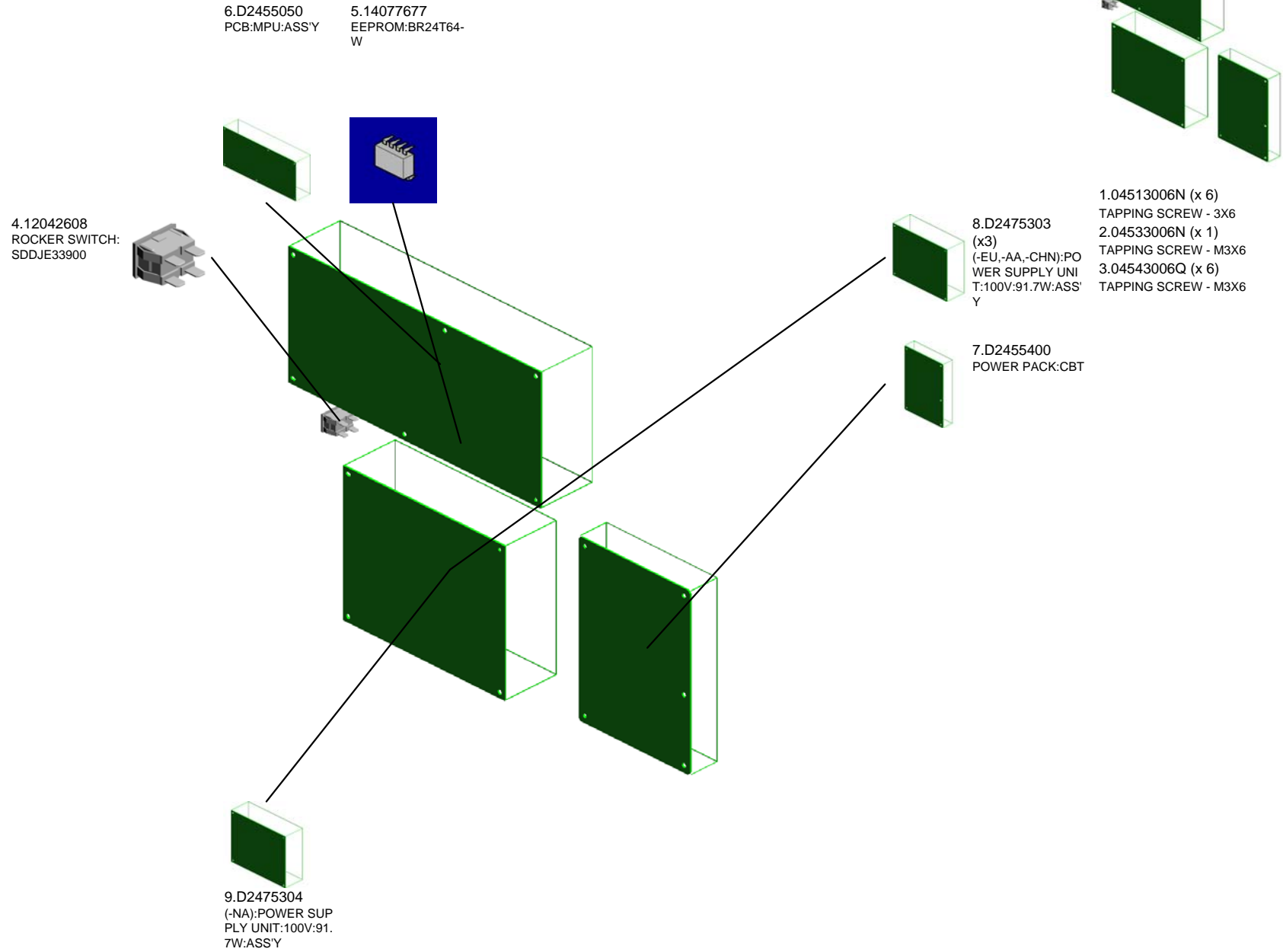


48.07200030E
RETAINING RING -
M3



U001	U002	U003	U004	U005	U006	U007	U008	U009	U010	U011	U012	U013	U014
------	------	------	------	------	------	------	------	------	------	------	------	------	------

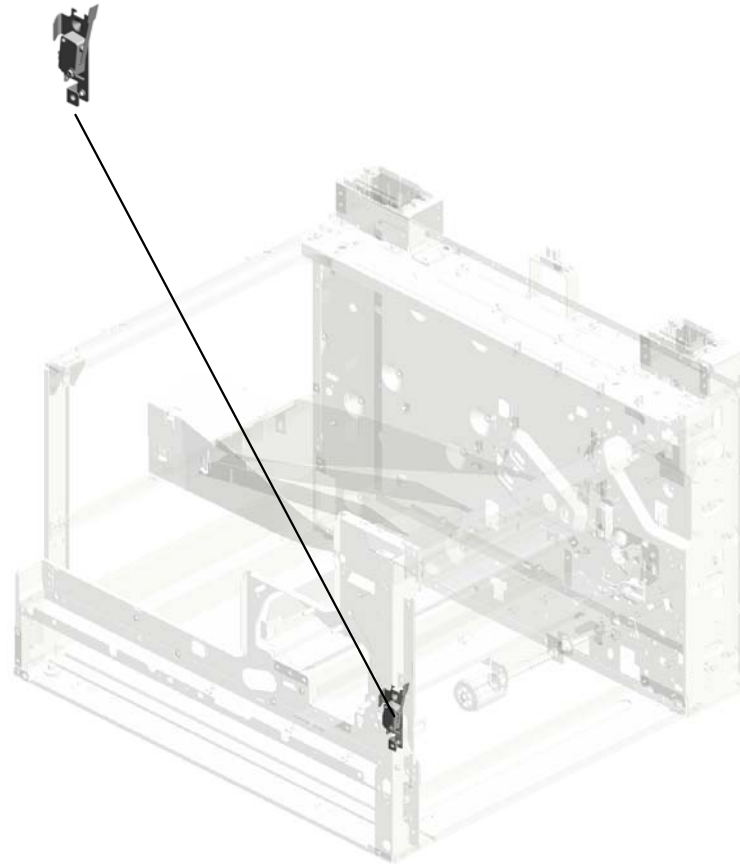
U013 ELECTRICAL



U001	U002	U003	U004	U005	U006	U007	U008	U009	U010	U011	U012	U013	U014
------	------	------	------	------	------	------	------	------	------	------	------	-------------	------

U014.MAIN FRAME

U014_S001
D2451033
BRACKET:SWITCH:ASS'Y



U001	U002	U003	U004	U005	U006	U007	U008	U009	U010	U011	U012	U013	U014
------	------	------	------	------	------	------	------	------	------	------	------	------	------

U014 MAIN FRAME

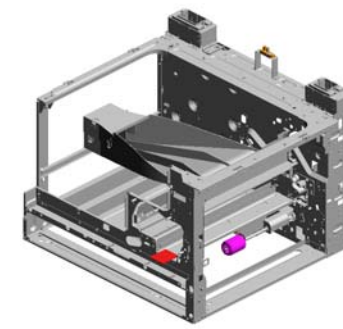
13.11050760
(x12)
CLAMP:LWSM-051
1A

18.AW020207
PHOTOINTERRUP
TOR:FLAT:PICH2M
M:M4

23.D2451077
GROUND PLATE:S
ENSOR

1.03140100N
PAN HEAD SCREW
:M4X10

10.11050195
(x3)
PCB STUD



4.04543006Q
(x6)
TAPPING SCREW -
M3X6



21.B1802801
HOLDER:PAPER T
RAY



2.04513006N
(x127)
TAPPING SCREW -
3X6



22.D2451032
COIL SPRING:BRA
CKET:SWITCH



11.11050758
(x27)
CLAMP:LWSM-030
6A



14.AA143569
SCREW



19.AW500040
PUSH SWITCH:SW
1AG-550:10MA



15.AF031084
PAPER FEED ROLL
ER MM36



17.AW020224
PHOTOINTERRUP
TOR:GP1A173LCS
VF
201605-02 O/O



9.08050106
(x2)
RETAINING RINGS
-E:SILENCER:DIA6



7.04583010N
(x3)
HEXAGON HEAD T
APPING SCREW:3
X10



12.11050759
CLAMP:LWSM-060
5A



20.B0392823
JOINT - PAPER FE
ED ROLLER



8.06230140E
SPRING PIN - 3X14
MM



16.AH010010
(x4)
RUBBER FOOT:H5



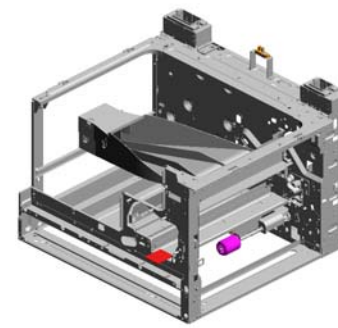
11.11050758
(x3)
CLAMP:LWSM-030
6A



13.11050760
(x4)
CLAMP:LWSM-051
1A

2.04513006N (x 5)
TAPPING SCREW - 3X6
3.04533006N (x 1)
TAPPING SCREW - M3X6
4.04543006Q (x 8)
TAPPING SCREW - M3X6
6.04583008N (x 2)
HEXAGON HEAD TAPPING SCREW:3X
8

U014 MAIN FRAME

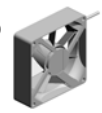


- 36.D2471095 BRACKET:HINGE:LEFT
- 39.D2471113 HOLDER:HINGE:LEFT:K
- 40.G1271088 THERMISTOR
- 38.D2471111 HOLDER:HINGE:RIGHT
- 37.D2471096 BRACKET:HINGE:RIGHT

24.D2451348
DUCT:LEFT:UPPER



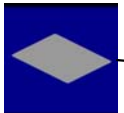
41.GX645734
FAN MOTOR:MM80
DC24V 3.12W



27.D2451364
DUCT:LEFT:LOWER



35.D2452605
FILM:TONER:REGISTRATION:FRONT



31.D2452527
FEELER:PAPER END SENSOR



30.D2452524
SHAFT:PAPER FEED ROLLER:ASSY



33.D2452544
COMPRESSION SPRING:PAPER FEED ROLLER:MOVE



26.D2451353
ELECTRODE PLATE:ROLLER:CHARGE:MAIN



43.D2451057
FRAME:DRIVE:MAIN



25.D2451352
TERMINAL:TRANSFER



34.D2452546
PLATEN:PAPER FEED ROLLER



32.D2452528
(x2)
BUSHING:MM8

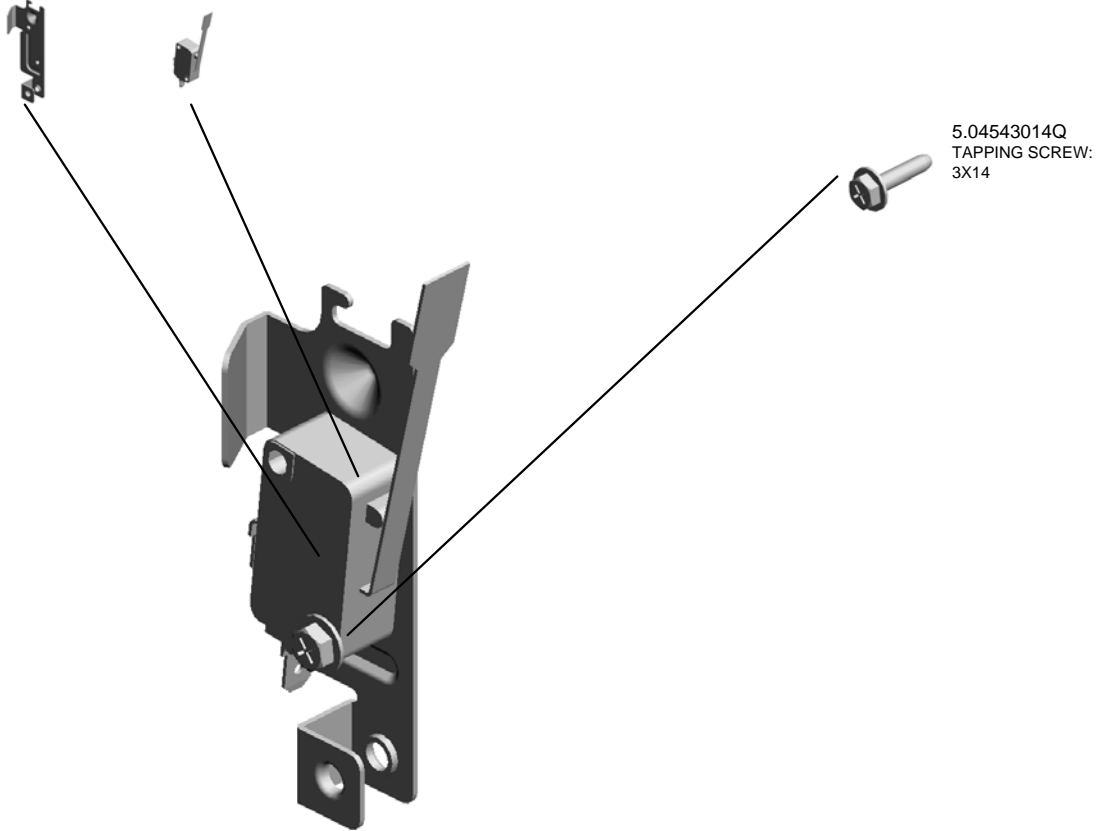


U014_S001
BRACKET:SWITCH:ASS'Y

28.D2451389 29.D2451399
BRACKET:SWITCH MICRO SWITCH

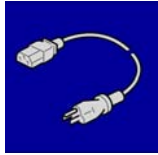


42.D2451033
BRACKET:SWITCH
:ASS'Y

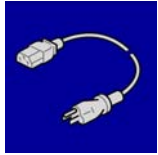


U001	U002	U003	U004	U005	U006	U007	U008	U009	U010	U011	U012	U013	U014
------	------	------	------	------	------	------	------	------	------	------	------	------	------

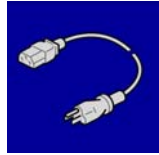
ACCESSORIES



1.11500440
(-NA);POWER SUPPLY CODE:120V:1
5A



2.11500441
(x2)
(-EU,-AA);POWER SUPPLY CODE:25
0V:10A



3.11500442
(-CHN);POWER SUPPLY CODE:250V:
10A



4.AA001564
(-NA,-EU,-AA):(D24721);PLATE:LOGO
TYPE:RIC



5.AA001567
(x2)
(-AA-CHN(25));PLATE:LOGOTYPE:G
ES



6.D2451280
(x3)
(-NA,-EU,-AA);DECAL:CAUTION:ORIG
INAL:ENGLISH



7.D2451281
(-CHN);DECAL:CAUTION:ORIGINAL:
CHINESE



8.D2451311
(-NA);DECAL:PUSHSWITCH



9.D2451312
(x3)
(-EU,-AA,-CHN);DECAL:PUSHSWITC
H



10.D2452886
DECAL:PAPER TRAY:MULTI-LANGU
AGE



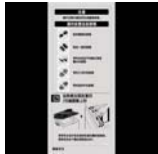
11.D2456651
SHEET:TONER SUPPLY SUB-UNIT



12.D2471321
(-NA,-EU,-AA):(D24721);MODEL NAM
E PLATE:MP2014AD



13.D2471322
(D24725);MODEL NAME PLATE:DSM
1120AD



14.D3B66077
(CHN);DECAL:CAUTION:ORIGINAL:C
HINESE



15.D3B66081
(x3)
(-NA,-EU,-AA);DECAL:CAUTION:ORIG
INAL:MANY LANGUAGES:2



16.M1785452
CABLE:USB

Special Tools



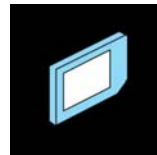
1.52039502
Silicon Grease G-501



2.A2929500
Test Chart - S5S(10pcs/set)



3.B6455010
SD Card



4.B6455020
SD Card (1GB)

Exclusive Parts

Number	Part Name	Group	ID
52039502	Silicon Grease G-501	Special Tools	1
A1843420	BOTTLE CHUCK	U007_S001	2
A1843421	CHUCK SHAFT	U007_S001	3
A2673440	DEVELOPMENT JOINT	U008_S001	6
A2673556	CHUCK SPRING - TONNER BOTTLE	U007_S001	4
A2929500	Test Chart - S5S(10pcs/set)	Special Tools	2
AA001564	(-NA,-EU,-AA):(D24721):PLATE:LOGOTYPE:RIC	ACCESSORIES	4
AA001567	(-AA/-CHN(25)):PLATE:LOGOTYPE:GES	ACCESSORIES	5
AA021031	MAGNETIC CATCH	U003_S001	20
AA043707	SYNCHRONOUS BELT:50S3M312	U012	12
AA063730	COMPRESSION SPRING:PRESSURE:TRANSFER ROLLER	U011	7
AA066637	STRIPPER PAWL SPRING	U009_S001	7
		U009_S002	7
		U009_S003	7
		U009_S004	7
AA066640	PRESSURE SPRING	U009_S001	8
		U009_S002	8
		U009_S003	8
		U009_S004	8
AA080249	BUSHING - VERTICAL TRANSPORT	U003_S001	21
AA080346	BUSHING:FLANGE TYPE:DIA6	U012	13
AA082101	BUSHING - 6X10X6	U003_S001_S001	22
AA082144	BUSHING - 8X12X7	U012	14
AA082173	PLAIN SHAFT BEARING:6X10X6	U003_S001	23
		U011	8
AA082184	PLAIN SHAFT BEARING:DIA6XDIA10X6	U010	2
		U012	15
AA132208	SPACER - M6	U003_S001_S001	24
AA142602	REGISTRATION ROLLER:DRIVEN:DIA16	U006	9
AA143444	STEPPED SCREW	U008_S001	7
AA143569	SCREW	U014	14
AA143788	PIN:GUIDE PLATE:PAPER FEED	U003_S001	25

Number	Part Name	Group	ID
AA143791	SCREW:SAFETY	U003_S001	26
AA143846	TAPPING SCREW:M3X6	U003_S001	27
AB010600	GEAR:DRUM:DRIVE	U012	16
AB010601	GEAR:DRIVE:DEVELOPMENT ROLLER	U012	17
AB010603	GEAR:TRANSPORT:NO.1	U012	18
AB010604	GEAR:DUPLEX:NO.1	U012	19
AB010607	GEAR:FUSING/PAPER EXIT UNIT:NO.1	U012	20
AB010608	GEAR:MANUAL FEED:IDLER	U012	21
AB011402	GEAR - 14Z	U008_S001	8
AB011403	GEAR - 13Z	U008_S001	9
AB011621	GEAR:HOT ROLLER	U009_S001	9
		U009_S002	9
		U009_S003	9
		U009_S004	9
AB011665	GEAR:FUSING:DRIVE	U012	22
AB012635	GEAR:Z19:DRIVE:REGISTRATION	U011	9
AB012636	GEAR:Z19:DRIVEN:REGISTRATION	U006	10
AB017867	GEAR:PULLEY:FUSING:TRANSPORT	U012	24
AB017869	GEAR:DEVELOPMENT:DRIVE:IDLER	U012	26
AB017948	GEAR:PULLEY:FUSING/PAPER EXIT UNIT:NO.2	U012	23
AB017949	GEAR:TRANSPORT:NO.2	U012	25
AB030906	PULLEY:FUSING/PAPER EXIT UNIT:NO.1	U012	27
AB030908	PULLEY:EXIT:DUPLEX	U012	28
AD027018	ROLLER:CHARGE:A3	U008_S001	10
AE011133	HOT ROLLER:DIA30	U009_S001	10
		U009_S002	10
		U009_S003	10
		U009_S004	10
AE020235	PRESSURE ROLLER:MM25	U009_S001	11
		U009_S002	11
		U009_S003	11

Exclusive Parts

Number	Part Name	Group	ID
		U009_S004	11
AE044073	STRIPPER PAWLS	U009_S001	12
		U009_S002	12
		U009_S003	12
		U009_S004	12
AF020769	TRANSPORT ROLLER:DRIVE:DUPLEX	U011	10
AF020823	ROLLER:EXIT	U010	3
AF020824	REGISTRATION ROLLER:DRIVE	U011	11
AF031084	PAPER FEED ROLLER MM36	U014	15
AF040102	EXIT ROLLER:DRIVEN	U009_S001	13
		U009_S002	13
		U009_S003	13
		U009_S004	13
AH010010	RUBBER FOOT:H5	U014	16
AW010151	PHOTO REFLECTION SENSOR:PS122TL1-A	U003_S001	28
AW020198	PHOTOINTERRUPTOR:LG2A14NL1	U003_S001	29
AW020207	PHOTOINTERRUPTOR:FLAT:PICH2MM:M4	U014	18
AW020224	PHOTOINTERRUPTOR:GP1A173LCSVF	U004_S001	6
		U006	11
		U009_S001	14
		U009_S002	14
		U009_S003	14
		U009_S004	14
	U014	17	
AW100167	THERMISTOR:FUSING	U009_S001	15
		U009_S002	15
		U009_S003	15
		U009_S004	15
AW500040	PUSH SWITCH:SW1AG-550:10MA	U014	19
AX040272	DC STEPPER MOTOR:NMB	U004_S001	7
AX060602	BRUSHLESS MOTOR:18.3W:B-C1-N	U012	29
AX201004	MAGNETIC CLUTCH:0.35N/M:Z51	U012	30
AX201013	ELECTROMAGNETIC CLUTCH:0.3	U012	31

Number	Part Name	Group	ID
	5N/M:REVERSE		
AX201014	ELECTROMAGNETIC CLUTCH:0.35N/M:REVERSE EXIT	U012	32
AX202690	MAGNETIC CLUTCH:REGISTRATION	U006	12
AX209406	MAGNETIC CLUTCH:0.35N/M:Z78	U006	13
AX209407	ELECTROMAGNETIC CLUTCH:0.35N/M:Z63	U006	14
B0392274	RECYCLED TONER PLATE	U008_S001	11
B0392276	REAR BUSHING - TONER COIL	U008_S001	12
B0392287	CHARGE ROLLER SPRING	U008_S001	13
B0392288	CAM - CLEANING BLADE	U008_S001	14
B0392292	FRONT PRESSURE ARM - CHARGE ROLLER	U008_S001	15
B0392293	PIN - FRONT PRESSURE ARM	U008_S001	16
B0392323	SEAL:COVER:PCU:FRONT	U008_S001	17
B0392335	PICKOFF PAWL	U008_S001	18
B0392823	JOINT - PAPER FEED ROLLER	U014	20
B0394473	RING:EXIT ROLLER	U010	4
B0399510	OPC DRUM	U008_S001	20
B1211162	SMALL SPRING	U012	33
B1802801	HOLDER:PAPER TRAY	U014	21
B2232911	SPACER	U011	52
B2232936	GEAR - 16Z	U006_S001	15
B2593422	SHAFT:SLIDE	U007_S001	5
B2706201	(-CHN):DECAL-ENVIRONMENTAL SYMBOL MARK	U001	26
B2776201	(-CHN):DECAL:ENERGY-SAVE	U001	27
B3871941	FEELER - PAPER SIZE SENSOR	U003_S001	30
B3871951	SPRING - PAPER SIZE SENSOR	U003_S001	31
B6455010	SD Card	Special Tools	3
B6455020	SD Card (1GB)	Special Tools	4
B6524743	SHEET:PRESSURE PLATE:SMALL	U003_S002	32
B8024359	CUSHION:PICKUP	U006	16
B8722421	BUSHING:FEED	U003_S001	33
B8722526	SPRING:ROLLER CLUTCH	U003_S001_S001	34
		U006	17
B8722529	COLLAR:PICKUP	U003_S001_S001	35

Exclusive Parts

Number	Part Name	Group	ID
		U006	18
B8722614	BUSHING:R1	U003_S001	36
D0392751	RACK:SIDE FENCE:REAR	U006_S002	19
D0392752	DISC:SIDE FENCE	U006_S002	20
D0392753	GEAR:SIDE FENCE	U006_S002	21
D0392754	SPRING:SIDE FENCE	U006_S002	22
D0392788	PIN:SIDE FENCE	U006_S002	23
D0853616	DC MOTOR:TONER BOTTLE:Z:2.52 W:ASS'Y	U007	6
D1171804	CAP:TIMING PULLEY	U004_S001	8
D1171806	PULLEY:IDLER	U004_S001	9
D1175916	STEPPED SCREW:M3X8:SECOND KIND	U009_S001	16
		U009_S002	16
		U009_S003	16
		U009_S004	16
		U011	12
D1491306	MAGNET CATCH:COVER:FRONT	U001	8
D1491397	TORQUE LIMITER MECHANICAL C LUTCH:49MM:DIA14	U006	24
D1491706	SYNCHRONOUS BELT:138ST1.5-4. 0	U011	13
D1492666	GEAR:SIDE FENCE:MANUAL FEED TABLE	U003_S001	37
D1492667	RACK:MANUAL FEED	U003_S001	38
D1494731	COMPRESSION SPRING:RACK:MA NUAL FEED	U003_S001	39
D1582362	DRUM STAY:FRONT	U008_S001	21
D1582593	COIL SPRING:STOPPER:SIDE FEN CE:FRONT	U006_S001_S001	25
D1583890	ELECTRODE PLATE:SEPARATION	U011	14
D1584120	THERMOSTAT:ASS'Y	U009_S001	17
		U009_S002	17
		U009_S003	17
		U009_S004	17
D1601760	SYNCHRONOUS BELT:S2M	U004_S001	10
D1601787	COIL SPRING:TENSION:15	U004_S001	11
D1601807	GEAR:TIMING PULLEY:81-18	U004_S001	12
D1601808	GEAR:SLOW DOWN:53-19	U004_S001	13

Number	Part Name	Group	ID
D2021137	GROUND PLATE:PHOTOCONDUCTOR	U012	34
D2023885	DENSITY SENSOR:AROUND THE PHOTOCONDUCTOR	U011	15
D2054113	BRACKET:THERMOSTAT	U009_S001	18
		U009_S002	18
		U009_S003	18
		U009_S004	18
D2054418	ROLLER:MIDDLE:FUSING	U009_S001	19
		U009_S002	19
		U009_S003	19
		U009_S004	19
D2161003	SHAFT:EXIT:DRIVEN	U003_S001	40
D2161009	ROLLER:EXIT:DRIVEN	U003_S001	41
D2161010	HOLDER:COMPRESSION SPRING: EXIT ROLLER	U003_S001	42
D2161011	SEAL:REFLECTION POLARIZING P LATE:REGISTRATION SENSOR	U003_S001	43
D2161018	SHEET:GUIDE	U003_S001	166
D2161110	COMPRESSION SPRING:EXIT:DRI VEN	U003_S001	44
D2161115	HOLDER:GUIDE PLATE	U003_S001	45
D2161205	GEAR:PRESSURE RELEASE:SCAN NING	U003_S001	46
D2161206	GEAR:PRESSURE RELEASE:CON NECTING	U003_S001	47
D2161207	DIAL:PRESSURE RELEASE	U003_S001	48
D2161410	LEVER:DRIVEN:SCANNING	U003_S001	49
D2161501	SHAFT:PAPER FEED UNIT:ASS'Y	U003_S001_S001	51
D2162002	HOLDER:FRICTION PAD	U003_S001_S002	53
D2162003	LEVER:PRESSURE RELEASE:SEP ARATION	U003_S001_S002	54
D2162005	COMPRESSION SPRING:SEPARAT ION	U003_S001_S002	55
D2162051	GUIDE PLATE:TRANSPORT	U003_S001	56
D2162052	DISCHARGE BRUSH:EXIT	U003_S001	57
D2162054	SPRING PLATE:DISCHARGE:EXPO SURE GLASS	U003_S001	58

Exclusive Parts

Number	Part Name	Group	ID
D2162056	GROUND PLATE:EXIT:REAR	U003_S001	59
D2162057	GROUND PLATE:DCM	U003_S001	60
D2162058	GROUND PLATE:EXIT:REAR:SIDE	U003_S001	61
D2162060	BRACKET:REGISTRATION SENSOR	U003_S001	62
D2162061	DISCHARGE BRUSH:EXIT:MIDDLE	U003_S001	63
D2162102	GUIDE PLATE:REVERSE	U003_S001	64
D2162151	TRANSPORT ROLLER:PULL OUT	U003_S001	65
D2162201	TRANSPORT ROLLER:SCANNING	U003_S001	66
D2162251	TRANSPORT ROLLER:EXIT ROLLER	U003_S001	67
D2162301	TRANSPORT ROLLER:REVERSE	U003_S001	68
D2162351	DISCHARGE BRUSH:L265	U003_S001	70
D2162355	GUIDE PLATE:SCANNING	U003_S001	69
D2162504	GEAR:ROLLER:EXIT	U003_S001	72
D2162521	GATE PAWL:REVERSE	U003_S001	169
D2163005	COVER:PAPER FEED:MIDDLE	U003_S001	73
D2163008	COMPRESSION SPRING:DRIVEN ROLLER:PULL OUT	U003_S001	75
D2163010	DRIVEN ROLLER:PULL OUT:PRESS FIT	U003_S001	76
D2163012	FEELER:ORIGINAL SENSOR	U003_S001	74
D2163101	ROLLER:REVERSE:DRIVEN:2	U003_S001	77
D2163104	COVER:ORIGINAL TABLE	U003_S001	78
D2163120	SPRING PLATE:REVERSE:PRESSURE:0.22N	U003_S001	79
D2163125	PLATE:SPRING PLATE	U003_S001	80
D2451032	COIL SPRING:BRACKET:SWITCH	U014	22
D2451033	BRACKET:SWITCH:ASS'Y	U014_S001	42
D2451057	FRAME:DRIVE:MAIN	U014	43
D2451077	GROUND PLATE:SENSOR	U014	23
D2451115	HOLDER:PAPER FEED:ELECTROMAGNETIC CLUTCH	U012	35
D2451149	BRACKET:MANUAL FEED:DRIVE	U012	36
D2451159	HOLDER:DEVELOPMENT	U012	37
D2451166	GROUND PLATE:DEVELOPMENT	U012	38
D2451169	SHAFT:DRUM:DRIVE:ASS'Y	U012_S001	39
D2451170	BRACKET:DRIVE:1MM:REAR	U012	40

Number	Part Name	Group	ID
D2451184	BRACKET:FUSING:FRONT:PEEN	U012	41
D2451185	SHAFT:DEVELOPMENT:ASS'Y	U012_S002	42
D2451195	BRACKET:FUSING:DRIVE:REAR	U012	43
D2451240	COVER:DOOR	U001	9
D2451241	COVER:FRONT	U001	10
D2451242	COVER:LEFT	U001	11
D2451243	COVER:EXIT	U001	12
D2451245	COVER:RIGHT	U001	13
D2451246	COVER:FUSING:EXTERIOR	U001	14
D2451249	INNER COVER	U001	15
D2451250	BRACKET	U001	16
D2451256	DUCT:FUSING	U001	17
D2451257	COVER:RIGHT SIDE MIDDLE	U001	18
D2451280	(-NA,-EU,-AA):DECAL:CAUTION:ORIGINAL:ENGLISH	ACCESSORIES	6
D2451281	(-CHN):DECAL:CAUTION:ORIGINAL:CHINESE	ACCESSORIES	7
D2451311	(-NA):DECAL:PUSHSWITCH	ACCESSORIES	8
D2451312	(-EU,-AA,-CHN):DECAL:PUSHSWITCH	ACCESSORIES	9
D2451348	DUCT:LEFT:UPPER	U014	24
D2451352	TERMINAL:TRANSFER	U014	25
D2451353	ELECTRODE PLATE:ROLLER:CHARGE:MAIN	U014	26
D2451364	DUCT:LEFT:LOWER	U014	27
D2451385	SEAL:FAN:FUSING	U001	19
D2451389	BRACKET:SWITCH	U014_S001	28
D2451399	MICRO SWITCH	U014_S001	29
D2451631	CARRIAGE SECTION:SCANNER:DIFFERENTIAL	U004_S001	14
D2451900	OPTICAL HOUSING:ASS'Y	U005_S001	4
D2452272	TRANSPORT SCREW:DISCHARGE USED TONER	U008_S001	22
D2452281	BLADE:CLEANING:ASS'Y	U008_S001	23
D2452294	BRUSH ROLLER:CLEANER:CHARGE	U008_S001	24
D2452295	ARM:PRESSURE:CHARGE:REAR:ASS'Y	U008_S001	25

Exclusive Parts

Number	Part Name	Group	ID
D2452322	COVER:PCU:FRONT	U008_S001	26
D2452378	DRUM STAY:REAR:ASS'Y	U008_S001	27
D2452511	PAPER TRAY:ASS'Y	U006_S001	26
D2452523	GUIDE PLATE:BASE:RISE	U006	27
D2452524	SHAFT:PAPER FEED ROLLER:ASS'Y	U014	30
D2452525	SHAFT:BASE:RISE:ASS'Y	U006_S001	28
D2452527	FEELER:PAPER END SENSOR	U014	31
D2452528	BUSHING:MM8	U014	32
D2452531	SHAFT:PAPER FEED:DRIVE:ASS'Y	U012	44
D2452533	SHEET:PLATE:FRICITION PAD	U006_S001	29
D2452538	GRIP:PAPER TRAY	U006_S001	30
D2452541	JOINT:BASE:RISE	U006	31
D2452544	COMPRESSION SPRING:PAPER FEED ROLLER:MOVE	U014	33
D2452546	PLATEN:PAPER FEED ROLLER	U014	34
D2452548	PRESSURE PLATE:BASE:RISE	U006_S001	32
D2452558	END FENCE	U006_S001	33
D2452559	COIL SPRING:FRICITION PAD	U006_S001	34
D2452560	SIDE FENCE:FRONT:ASS'Y	U006_S001_S001	35
D2452562	SIDE FENCE:PAPER TRAY:REAR	U006_S001	36
D2452563	COVER:PAPER TRAY:NO.1	U006_S001	37
D2452564	TRAY BOTTOM PLATE	U006_S001	38
D2452569	TENSION SPRING:BASE:RISE	U006	40
D2452576	HOLDER:ADHESION	U006_S001	39
D2452591	COIL SPRING:EARTH:TRAY BOTTOM PLATE	U006_S001	41
D2452603	CASE:REMOVE PAPER DUST	U006	42
D2452605	FILM:TONER:REGISTRATION:FRONT	U014	35
D2452606	FILM:TONER:REGISTRATION:REAR	U006	43
D2452607	FEELER:REGISTRATION	U006	44
D2452611	GUIDE PLATE:VERTICAL TRANSPORT	U006	45
D2452613	GUIDE:VERTICAL TRANSPORT	U006	46
D2452618	PLAIN SHAFT BEARING:REGISTRATION:FRONT	U006	47

Number	Part Name	Group	ID
D2452619	COIL SPRING:DISCHARGE	U006	48
D2452622	ELECTRODE PLATE:TRANSPORT ROLLER	U006	49
D2452627	BUSHING:REGISTRATION:DRIVE:FRONT	U011	16
D2452631	COLLAR:REGISTRATION ROLLER:REAR	U011	17
D2452634	SPRING:FEELER:REGISTRATION	U006	50
D2452640	COMPRESSION SPRING:REGISTRATION	U011	18
D2452712	HOLDER:PICKUP ROLLER	U006	51
D2452713	FEED ROLLER	U006	52
D2452716	PICKUP ROLLER	U006	53
D2452717	LEVER:OPEN AND CLOSE:GUIDE PLATE	U006	54
D2452721	LINK:PAPER STOPPER	U006	55
D2452722	PAPER STOPPER	U006	56
D2452734	SHAFT:MANUAL FEED UNIT	U006	57
D2452736	HOLDER:PAD	U006	58
D2452742	FILM:COIL SPRING	U006	59
D2452743	FILM:MANUAL FEED:LEFT	U006	60
D2452744	FILM:MANUAL FEED:RIGHT	U006	61
D2452751	DECAL:MANUAL FEED	U006_S002	62
D2452774	COVER:MANUAL FEED	U006	63
D2452776	COMPRESSION SPRING:SEPARATION:LOWER	U006	64
D2452782	FEELER:PAPER END SENSOR:PAPER FEED	U006	65
D2452786	COIL SPRING:PICKUP	U006	66
D2452859	GUIDE PLATE:LOWER	U006	67
D2452868	SIDE FENCE:MANUAL FEED:FRONT	U006_S002	68
D2452869	SIDE FENCE:MANUAL FEED:REAR	U006_S002	69
D2452878	EXTENSION TRAY:MANUAL FEED TABLE	U006_S002	70
D2452880	MANUAL FEED TABLE:ASS'Y	U006_S002	71
D2452883	(-NA,-EU,-AA):DECAL:PAPER SET POSITION:SIDE FENCE:REAR	U006	72

Exclusive Parts

Number	Part Name	Group	ID
D2452884	DECAL:GUIDE PLATE:VERTICAL TRANSPORT	U006	73
D2452886	DECAL:PAPER TRAY:MULTI-LANGUAGE	ACCESSORIES	10
D2452888	(-NA,-EU,-AA):DECAL:PAPER SET POSITION:SIDE FENCE:FRONT	U006	74
D2452889	(-CHN):DECAL:PAPER SET POSITION:SIDE FENCE:FRONT	U006	75
D2452890	(-CHN):DECAL:PAPER SET POSITION:SIDE FENCE:REAR	U006	76
D2452891	DECAL:PAPER SET DIRECTION:PAPER TRAY	U006_S001	77
D2453001	DEVELOPMENT UNIT:PCU:ASS'Y	U008_S001_S001	28
D2453032	TONER SUPPLY UNIT:ASS'Y	U007_S001	7
D2453064	GEAR:IDLER	U008_S001_S001	29
D2453151	CASE:DEVELOPMENT ROLLER	U008_S001_S001	32
D2453245	GEAR:TRANSPORT SCREW	U008_S001_S001	19
D2453342	COVER:TONER BOTTLE:CTYPE:ASS'Y	U007_S001	9
D2453346	GRIP:UN LOCK:TONER SUPPLY UNIT	U007_S001	10
D2453348	CAM:HANDLE	U007_S001	8
D2453821	TRANSFER ROLLER:SUB-ASS'Y	U011	19
D2453859	GUIDE PLATE:TRANSFER:UPPER	U011	20
D2453863	TERMINAL:DISCHARGE	U011	21
D2453865	TERMINAL:TRANSFER	U011	22
D2453866	TERMINAL:DISCHARGE:FRONT	U011	23
D2453870	STOPPER:FRAME:TRANSFER	U011	24
D2453872	SCREW:CONTACT POINT:GUIDE PLATE	U011	25
D2454001	(-EU,-AA,-CHN):FUSING/PAPER EXIT UNIT:ASS'Y	U009_S002	20
		U009_S003	20
		U009_S004	20
D2454009	(-NA):FUSING/PAPER EXIT UNIT:120V:ASS'Y	U009_S001	48
D2454086	FRAME:PRESSURE	U009_S001	50
		U009_S002	50
		U009_S003	50

Number	Part Name	Group	ID
		U009_S004	50
D2454090	HOLDER:HEATER:REAR	U009_S001	23
		U009_S002	23
		U009_S003	23
		U009_S004	23
D2454105	FRAME:INSERT-SCREW:ASS'Y	U009_S001	49
		U009_S002	49
		U009_S003	49
		U009_S004	49
D2454107	GUIDE PLATE:PRESSURE:DUPLICATE	U009_S001	24
		U009_S002	24
		U009_S003	24
		U009_S004	24
D2454111	ELECTRODE PLATE:FRONT	U009_S001	25
		U009_S002	25
		U009_S003	25
		U009_S004	25
D2454112	(-EU,-AA,-CHN):HEATER:120V:700W:INFRARED:ASS'Y	U009_S002	26
		U009_S003	26
		U009_S004	26
D2454113	(-NA):HEATER:120V:700W:INFRARED:ASS'Y	U009_S001	27
D2454114	ELECTRODE PLATE:REAR	U009_S001	28
		U009_S002	28
		U009_S003	28
		U009_S004	28
D2454115	FUSING ENTRANCE GUIDE PLATE	U009_S001	29
		U009_S002	29
		U009_S003	29
		U009_S004	29
D2454117	DISCHARGE BRUSH:FUSING UNIT	U009_S001	30
		U009_S002	30
		U009_S003	30
		U009_S004	30
D2454118	GROUND PLATE:FUSING	U009_S001	31
		U009_S002	31
		U009_S003	31
		U009_S004	31

Exclusive Parts

Number	Part Name	Group	ID
D2454140	RETAINING RINGS-C:HOT ROLLER	U009_S001	32
		U009_S002	32
		U009_S003	32
		U009_S004	32
D2454153	LEVER:PRESSURE RELEASE:FRONT	U009_S001	33
		U009_S002	33
		U009_S003	33
		U009_S004	33
D2454154	LEVER:PRESSURE RELEASE:REAR	U009_S001	34
		U009_S002	34
		U009_S003	34
		U009_S004	34
D2454174	BUSHING:PRESSURE ROLLER	U009_S001	35
		U009_S002	35
		U009_S003	35
		U009_S004	35
D2454190	SPACER:FUSING UNIT	U009_S001	47
		U009_S002	47
		U009_S003	47
		U009_S004	47
D2454298	COIL SPRING:RELEASE:FUSING EXIT	U009_S001	36
		U009_S002	36
		U009_S003	36
		U009_S004	36
D2454299	PLAIN SHAFT BEARING:HOT ROLLER	U009_S001	37
		U009_S002	37
		U009_S003	37
		U009_S004	37
D2454331	LEVER:PRESSURE ROLLER:FRONT:ASS'Y	U009_S001	38
		U009_S002	38
		U009_S003	38
		U009_S004	38
D2454332	LEVER:PRESSURE ROLLER:REAR:ASS'Y	U009_S001	39
		U009_S002	39
		U009_S003	39
		U009_S004	39
D2454417	DISCHARGE BRUSH:EXIT	U001	20
D2454421	GUIDE PLATE:EXIT	U009_S001	40

Number	Part Name	Group	ID
		U009_S002	40
		U009_S003	40
		U009_S004	40
D2454466	FEELER:EXIT	U009_S001	41
		U009_S002	41
		U009_S003	41
		U009_S004	41
D2454467	COIL SPRING:PRESSURE:EXIT ROLLER	U009_S001	42
		U009_S002	42
		U009_S003	42
		U009_S004	42
D2454473	RING:EXIT ROLLER	U010	5
D2454681	PLATE:LEVER:PRESSURE RELEASE	U011	26
D2455050	PCB:MPU:ASS'Y	U013	6
D2455400	POWER PACK:CBT	U013	7
D2456651	SHEET:TONER SUPPLY SUB-UNIT	ACCESSORIES	11
D2458916	DECAL:FUSING:H-TEMP WARNING	U009_S001	43
		U009_S002	43
		U009_S003	43
		U009_S004	43
D2458917	DECAL:FUSING SUB-UNIT:GRIP:C1	U009_S001	44
		U009_S002	44
		U009_S003	44
		U009_S004	44
D2458918	DECAL:FUSING SUB-UNIT:GRIP:C2	U009_S001	45
		U009_S002	45
		U009_S003	45
		U009_S004	45
D2459640	DEVELOPER:K	U008	30
D2461110	SHAFT:DUPLIX:ELECTROMAGNETIC CLUTCH	U012	45
D2461157	BRACKET:DUPLIX:SWIVEL	U012	46
D2461400	(-CHN):OPERATION PANEL:AP/LA:ASS'Y	U002_S003	2
D2461401	(-NA,-AA):OPERATION PANEL:AP/LA:ASS'Y	U002_S001	3
D2461402	(-EU):OPERATION PANEL:AP/LA:A	U002_S002	3
		U002_S004	4

Exclusive Parts

Number	Part Name	Group	ID
	SS'Y		
D2461410	KEYTOP:FUNCTION	U002_S001	5
		U002_S002	5
		U002_S003	5
		U002_S004	5
D2461411	KEYTOP:COPY	U002_S001	6
		U002_S002	6
		U002_S003	6
		U002_S004	6
D2461412	KEYTOP:MIDDLE LOWER	U002_S001	7
		U002_S002	7
		U002_S003	7
		U002_S004	7
D2461413	KEYTOP:10KEY	U002_S001	8
		U002_S002	8
		U002_S003	8
		U002_S004	8
D2461414	KEYTOP:ENERGYSAVER	U002_S001	9
		U002_S002	9
		U002_S003	9
		U002_S004	9
D2461416	LENS	U002_S001	10
		U002_S002	10
		U002_S003	10
		U002_S004	10
D2461417	KEYTOP:SCANNER	U002_S001	11
		U002_S002	11
		U002_S003	11
		U002_S004	11
D2461451	(-NA,-AA):COVER:OPERATION SUB-UNIT	U002_S001	12
		U002_S002	12
D2461452	(-CHN):COVER:OPERATION SUB-UNIT	U002_S003	13
D2461453	(-EU):COVER:OPERATION SUB-UNIT	U002_S004	14
D2461470	PCB:OPU:ASS'Y	U002_S001	15
		U002_S002	15
		U002_S003	15

Number	Part Name	Group	ID
		U002_S004	15
D2461498	LCD:MV	U002_S001	16
		U002_S002	16
		U002_S003	16
		U002_S004	16
D2463868	SHEET:DISCHARGE:TRANSFER	U011	27
D2464612	FRAME:TRANSFER	U011	28
D2464614	GUIDE PLATE:DUPLEX:MIDDLE	U011	29
D2464615	GUIDE PLATE:DUPLEX:EXIT:UPPER	U011	30
D2464616	GUIDE PLATE:DUPLEX:EXIT:LOWER	U011	31
D2464617	SHEET:EXIT:DUPLEX	U011	32
D2464618	DECAL:FRAME:TRANSFER:GRIP	U011	33
D2464619	COVER:DUPLEX	U011	36
D2464625	SHAFT:HINGE:UPPER	U011	34
D2464634	COVER:DUPLEX:NO.2	U011	35
D2464637	SHAFT:HINGE:LOWER	U011	37
D2464638	GUIDE PLATE:ENTRANCE:DUPLEX	U011	38
D2464639	ROLLER:DUPLEX	U011	39
D2464642	BUTTON:DOOR:RIGHT	U011	40
D2464650	BRACKET:IDLER:PULLEY	U011	41
D2464655	PULLEY:DRIVE ROLLER	U011	42
D2464657	PULLEY:IDLER	U011	43
D2464659	GEAR:IDLER:DUPLEX	U011	44
D2464660	BRACKET:HINGE	U011	45
D2464662	GROUND PLATE:DUPLEX	U011	46
D2464664	COIL SPRING:PRESSURE:DRIVEN:DUPLEX	U011	47
D2464670	GROUND WIRE:DUPLEX:DRIVE	U011	48
D2464672	COVER:SENSOR:DUPLEX	U011	49
D2464699	COMPRESSION SPRING:LEVER	U011	50
D2471095	BRACKET:HINGE:LEFT	U014	36
D2471096	BRACKET:HINGE:RIGHT	U014	37
D2471098	SCREW:HINGE	U003	109
D2471111	HOLDER:HINGE:RIGHT	U014	38
D2471113	HOLDER:HINGE:LEFT:K	U014	39

Exclusive Parts

Number	Part Name	Group	ID
D2471248	COVER:SCANNER:REAR UPPER:C	U001	22
D2471252	SHEET:LIGHT SHIELDING PLATE: ON OFF DETECTOR	U001	23
D2471262	COVER:REAR:C	U001	21
D2471321	(-NA,-EU,-AA):(D24721):MODEL NA ME PLATE:MP2014AD	ACCESSORIES	12
D2471322	(D24725):MODEL NAME PLATE:DS M1120AD	ACCESSORIES	13
D2471611	ORIGINAL TRAY:SCANNER:ASS'Y	U004_S001_S001	15
D2471627	SCANNER:DF:ASS'Y	U004_S001	16
D2475303	(-EU,-AA,-CHN):POWER SUPPLY U NIT:100V:91.7W:ASS'Y	U013	8
D2475304	(-NA):POWER SUPPLY UNIT:100V: 91.7W:ASS'Y	U013	9
D3B60083	ARDF:ASS'Y	U003_S001	81
D3B61332	HINGE:DOCUMENT FEEDER:LEFT: A3	U003_S001	82
D3B61335	HINGE:DOCUMENT FEEDER:RIGH T:A3	U003_S001	83
D3B61500	PAPER FEED UNIT:ASS'Y	U003_S001_S001	50
D3B61503	PICKUP ROLLER	U003_S001_S001	113
D3B61820	SHEET:PRESSURE PLATE:ASS'Y	U003_S002	84
D3B61822	PLATE:AUXILIARY:PRESSURE PL ATE	U003_S002	85
D3B62000	GUIDE PLATE:PAPER FEED:ASS'Y	U003_S001_S002	168
D3B62009	GUIDE PLATE:PAPER FEED	U003_S001_S002	52
D3B62061	GROUND PLATE:REGISTRATION SENSOR	U003_S001	86
D3B62601	BRACKET:DRIVE SUB-UNIT	U003_S001	87
D3B62994	BRACKET:HEAT SINK:SOLENOID	U003_S001	88
D3B62995	HEAT SINK:SOLENOID	U003_S001	89
D3B63002	COVER:PAPER FEED	U003_S001	90
D3B63003	LEVER:COVER:PAPER FEED	U003_S001	91
D3B63004	COVER:PAPER FEED:UPPER	U003_S001	92
D3B63011	TORSION SPRING:COVER:PAPER FEED:FRONT	U003_S001	93
D3B63012	TORSION SPRING:COVER:PAPER FEED:REAR	U003_S001	94

Number	Part Name	Group	ID
D3B63013	PAWL:COVER:PAPER FEED	U003_S001	95
D3B63103	ORIGINAL TABLE	U003_S001	96
D3B63109	SIDE FENCE:INNER BACK	U003_S001	97
D3B63112	SIDE FENCE:FRONT	U003_S001	98
D3B63201	COVER:REAR	U003_S001	99
D3B63301	COVER:FRONT	U003_S001	100
D3B64111	SHAFT:PAPER FEED:COUPLING	U003_S001	101
D3B64124	COLLAR:REVERSE	U003_S001	142
D3B64210	BRACKET:FEED:HARNESS	U003_S001	102
D3B65100	PCB:ARDF:KAILAS:ASS'Y	U003_S001	103
D3B66021	DECAL:SIZE:ORIGINAL	U003_S001	104
D3B66031	DECAL:ORIGINAL TABLE	U003_S001	105
D3B66041	DECAL:SIDE FENCE	U003_S001	106
D3B66051	DECAL:KNOB	U003_S001	107
D3B66061	DECAL:MISFEED REMOVAL	U003_S001	108
D3B66077	(CHN):DECAL:CAUTION:ORIGINAL: CHINESE	ACCESSORIES	14
D3B66081	(-NA,-EU,-AA):DECAL:CAUTION:OR IGINAL:MANY LANGUAGES:2	ACCESSORIES	15
D6061116	CUSHION:PRESSURE PLATE	U003_S001	110
D6061415	ROLLER:DRIVEN:SCANNING	U003_S001	111
D6062111	FEED ROLLER	U003_S001_S001	112
D6062114	SHAFT:PICKUP	U003_S001_S001	114
		U006	78
D6062115	TORQUE LIMITER MECHANICAL C LUTCH:FEED	U003_S001_S001	115
D6062116	GEAR:FEED	U003_S001_S001	116
		U006	79
D6062117	GEAR:IDLER:FEED	U003_S001_S001	117
		U006	80
D6062118	GEAR:PICKUP	U003_S001_S001	118
		U006	81
D6062119	ARM:PAPER STOPPER	U003_S001_S001	119
D6062120	PAPER STOPPER	U003_S001_S001	120
D6062121	LINK:PAPER STOPPER	U003_S001_S001	121
D6062122	HOLDER:PICKUP ROLLER	U003_S001_S001	122
D6063112	FRICTION PAD	U003_S001_S002	123
D6063115	ROLLER:SEPARATION	U003_S001_S002	124

Exclusive Parts

Number	Part Name	Group	ID
D6063117	TENSION SPRING:PRESSURE RELEASE:SEPARATION:4.5N	U003_S001_S002	125
D6063118	SHEET:SEPARATION	U003_S001_S002	126
D6063119	CUSHION:SEPARATION	U003_S001_S002	127
D6063211	SPRING PLATE:GUIDE:EXPOSURE GLASS:INNER BACK	U003_S001	128
D6063214	CUSHION:CORE	U003_S001	129
D6063215	SPRING PLATE:GUIDE:EXPOSURE GLASS:FRONT	U003_S001	130
D6064110	TORQUE LIMITER:REVERSE ROLLER	U003_S001	131
D6064112	GEAR:IDLER:SEPARATION SUB-UNIT	U003_S001	132
D6064113	GEAR:IDLER:PULL OUT	U003_S001	133
D6064114	GEAR:IDLER:NO.4	U003_S001	134
D6064115	GEAR:SLOW DOWN:MOTOR	U003_S001	135
D6064116	GEAR:SLOW DOWN:SCANNING	U003_S001	136
D6064117	GEAR:SLOW DOWN:EXIT	U003_S001	137
D6064118	GEAR:SLOW DOWN:PULL OUT	U003_S001	138
D6064119	GEAR:ROLLER:PULL OUT	U003_S001	139
D6064122	GEAR:IDLER:MECHANICAL ROLLER CLUTCH:UPPER POSITION	U003_S001	140
D6064123	GEAR:IDLER:MECHANICAL ROLLER CLUTCH:LOWER	U003_S001	141
D6064125	ARM:SWIVEL:REVERSE	U003_S001	143
D6064126	GEAR:SWIVEL:CONTACT POINT:REVERSE	U003_S001	144
D6064127	GEAR:SWIVEL:REVERSE	U003_S001	145
D6064128	LEVER:GATE PAWL	U003_S001	146
D6064129	LINK:GATE PAWL:REVERSE	U003_S001	147
D6064132	TENSION SPRING:GATE PAWL:REVERSE	U003_S001	148
D6064150	MECHANICAL SPRING CLUTCH:PAPER FEED:ASS'Y	U003_S001	149
D6064310	BRACKET:DRIVE	U003_S001	150
D6064370	DC MOTOR:S:ASS'Y	U003_S001	151
D6834711	GUIDE PLATE:PRESSURE PLATE:LEFT	U003_S002	152

Number	Part Name	Group	ID
D6834722	CUSHION:TAPE:SMALL	U003_S002	153
D6834724	CUSHION:PRESSURE PLATE:LARGE	U003_S002	154
D6834725	CUSHION:PRESSURE PLATE:SMALL	U003_S002	155
D6843731	LEVER:EXIT	U003_S001	156
D7942513	SENSOR COVER:PHOTOINTERRUPTOR:PAPER FEED UNIT	U003_S001	157
D8840151	PROCESSES AROUND PHOTOCONDUCTOR:SERVICE	U008_S001	31
G0201160	SNAP RING	U006	82
G0203334	SLIDER ASS'Y	U007_S001	11
G1271088	THERMISTOR	U014	40
GA082010	BUSHING:DIA6:DIA10:9	U003_S001	158
GF013001	BOTTOM PLATE PAD	U006	83
		U006_S001	83
GX110023	DC SOLENOID:24V:REVERSE	U003_S001	159
GX110024	DC SOLENOID:MECHANICAL SPRING CLUTCH:PAPER FEED UNIT	U003_S001	160
GX640028	FAN MOTOR DC24V 1.92W	U001	24
GX645734	FAN MOTOR:MM80 DC24V 3.12W	U014	41
H5211350	PAD - PICK-UP	U003_S001_S002	161
M0122631	CLOTH:EARTH:PAPER FEED	U006	84
M0124488	BUSHING:DIA6XDIA10X6	U006	85
M0134669	MAGNET CATCH:ASS'Y	U001	25
M0264466	TIMING BELT:30S2M144	U012	47
M1785452	CABLE:USB	ACCESSORIES	16
M1874102	FLAT NUT:FRAME	U009_S001	46
		U009_S002	46
		U009_S003	46
		U009_S004	46
M3641387	BRACKET:PRESSURE PLATE	U003_S001	162
M3642124	COMPRESSION SPRING:PAPER FEED UNIT	U003_S001_S001	163
M3644821	TAPE:PRESSURE PLATE:LEFT	U003_S001	164
M3644823	TAPE:PRESSURE PLATE	U003_S001	165
M4483888	PARALLEL PIN:7033514:4X10	U003_S001	167

Standard Parts



03130060N
SCREW - M3X6



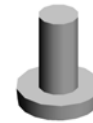
03140100N
PAN HEAD SCREW:M4X10



03530030N
SCREW:M3X3



03530040N
SCREW - M3X4



03530060N
BIND SCREW - M3X6



03603006N
SCREW - M3X6



04504012N
TAPPING SCREW:4X12



04504025N
TAPPING SCREW:4X25



04513006N
TAPPING SCREW - 3X6



04513008N
TAPPING SCREW - M3X8



04522608P
BINDING SELF-TAPPING SCREW:2.6X8



04523008N
TAPPING SCREW - M3X8



04533006N
TAPPING SCREW - M3X6



04543006N
TAPPING SCREW:ROUND POINT:3X6



04543006Q
TAPPING SCREW - M3X6



04543008N
TAPPING SCREW:ROUND POINT:3X8



04543008Q
TAPPING SCREW:3X8



04543012N
TAPPING SCREW:ROUND POINT:3X12



04543014Q
TAPPING SCREW:3X14



04583008N
HEXAGON HEAD TAPPING SCREW:3X8



04583010N
HEXAGON HEAD TAPPING SCREW:3X10



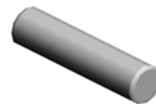
04593010N
BINDING HEAD TAPPING SCREW:3X10



06225080E
SPRING PIN - 2.5X8MM



06230140E
SPRING PIN - 3X14MM



06320080G
PARALLEL KEY - 2X8MM



07200030E
RETAINING RING - M3



07200040E
RETAINING RING - M4



07200060E
RETAINING RING - M6

Standard Parts



07360610
BUSHING 6X10



08046123
HEXAGONAL BOLT:W/WASH
ER:M3X8



08046128
HEXAGONAL BOLT:DOUBLE
SCREW:M3X10



08050103
RETAINING RINGS-E:SILENC
ER:DIA3



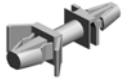
08050104
RETAINING RINGS-E:SILENC
ER:DIA4



08050106
RETAINING RINGS-E:SILENC
ER:DIA6



09543010N
SCREW:POLISHED ROUND/
SPRING:M3X10



11050195
PCB STUD



11050723
CLAMPS:WES-0507



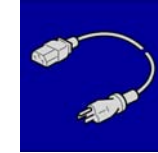
11050758
CLAMP:LWSM-0306A



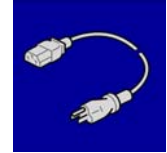
11050759
CLAMP:LWSM-0605A



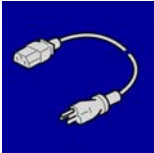
11050760
CLAMP:LWSM-0511A



11500440
(-NA):POWER SUPPLY CODE
:120V:15A



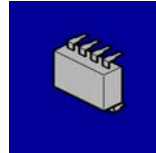
11500441
(-EU,-AA):POWER SUPPLY C
ODE:250V:10A



11500442
(-CHN):POWER SUPPLY COD
E:250V:10A



12042608
ROCKER SWITCH:SDDJE339
00



14077677
EEPROM:BR24T64-W

PM Part List

Number	Part Name	Num	Group	ID
AD027018	ROLLER:CHARGE:A3	1	U008_S001	10
AE011133	HOT ROLLER:DIA30	4	U009_S001	10
			U009_S002	10
			U009_S003	10
			U009_S004	10
AE020235	PRESSURE ROLLER:MM25	4	U009_S001	11
			U009_S002	11
			U009_S003	11
			U009_S004	11
AE044073	STRIPPER PAWLS	16	U009_S001	12
			U009_S002	12
			U009_S003	12
			U009_S004	12
AF031084	PAPER FEED ROLLER MM36	1	U014	15
AW100167	THERMISTOR:FUSING	4	U009_S001	15
			U009_S002	15
			U009_S003	15
			U009_S004	15
B0392335	PICKOFF PAWL	2	U008_S001	18
B0399510	OPC DRUM	1	U008_S001	20
D1583890	ELECTRODE PLATE:SEPARATION	1	U011	14
D2452281	BLADE:CLEANING:ASS'Y	1	U008_S001	23
D2452294	BRUSH ROLLER:CLEANER:CHARGE	1	U008_S001	24
D2452576	HOLDER:ADHESION	1	U006_S001	39
D2453821	TRANSFER ROLLER:SUB-ASS'Y	1	U011	19
D2454174	BUSHING:PRESSURE ROLLER	8	U009_S001	35
			U009_S002	35
			U009_S003	35
			U009_S004	35
D2454299	PLAIN SHAFT BEARING:HOT ROLLER	8	U009_S001	37
			U009_S002	37
			U009_S003	37
			U009_S004	37
D2459640	DEVELOPER:K	1	U008	30
D3B61503	PICKUP ROLLER	1	U003_S001_S001	113

Design Change List

Number	Title	Set	Old Part		New Part		Index No.		Q'ty	Interchg		Reason	Cut-in S/N	
			P/N	Name	P/N	Name	Group	ID		Indiv.	Set			
201610-01	1610 Modification	-	D2162350	GUIDE PLATE:S CANNING	D2162355	GUIDE PLATE:S CANNING	U003_S001	69	1	X/O			D24717:	
201610-02	1610 Modification	-	AB017866	GEAR:PULLEY:F USING/PAPER E XIT UNIT:NO.2	AB017948	GEAR:PULLEY:F USING/PAPER E XIT UNIT:NO.2	U012	23	1	X/O			D24717:	
201609-01	1609 Modification	-			D2454086	FRAME:PRESSU RE	U009_S001	50	1					D24717:
							U009_S002	50	1					
							U009_S003	50	1					
							U009_S004	50	1					
201609-02	1609 Modification	-	D2454054	FRAME:PRESSU RE:PRINTING			U009_S001	22	1				D24717:	
			D2454054	FRAME:PRESSU RE:PRINTING			U009_S002	22	1					
			D2454054	FRAME:PRESSU RE:PRINTING			U009_S003	22	1					
			D2454054	FRAME:PRESSU RE:PRINTING			U009_S004	22	1					
201609-03	1609 Modification	-	AB017868	GEAR:TRANSP ORT:NO.2	AB017949	GEAR;TRANSP ORT:NO.2	U012	25	1	X/O			D24717:	
201609-04	1609 Modification	-	D2471610	ORIGINAL TRAY: SCANNER:ASS'Y	D2471611	ORIGINAL TRAY: SCANNER:ASS'Y	U004_S001 _S001	15	1	X/O			D24717:	
201609-05	1609 Modification	-	D2471626	SCANNER:DF:AS S'Y	D2471627	SCANNER:DF:AS S'Y	U004_S001	16	1	X/O			D24717:	
201609-06	1609 Modification	A	D3B61304	HINGE:DOCUME NT FEEDER:RIG HT:A3	D3B61335	HINGE:DOCUME NT FEEDER:RIG HT:A3	U003_S001	83	1	X/X	X/O		D24717:	
201609-07	1609 Modification	A	D3B61302	HINGE:DOCUME NT FEEDER:LEF T:A3	D3B61332	HINGE:DOCUME NT FEEDER:LEF T:A3	U003_S001	82	1	X/X	X/O		D24717:	
201609-08	1609 Modification	-			D2451033	BRACKET:SWITC	U014_S001	42	1				D24717:	

Design Change List

Number	Title	Set	Old Part		New Part		Index No.		Q'ty	Interchg		Reason	Cut-in S/N
			P/N	Name	P/N	Name	Group	ID		Indiv.	Set		
		-				H:ASS'Y							
201609-09	1609 Modification	-			D2451057	FRAME:DRIVE:MAIN	U014	43	1				D24717:
201608-01	1608 Modification	-	D2162511	GATE PAWL:REVERSE	D2162521	GATE PAWL:REVERSE	U003_S001	169	1	X/O			D24717:
201608-02	1608 Modification	-	D2452566	HOLDER:ADHESION	D2452576	HOLDER:ADHESION	U006_S001	39	1	X/O			D24717:
201608-03	1608 Modification	A	D3B63105	SIDE FENCE:INNER BACK	D3B63109	SIDE FENCE:INNER BACK	U003_S001	97	1	X/X	X/O		D24717:
201608-04	1608 Modification	A	D3B63106	SIDE FENCE:FRONT	D3B63112	SIDE FENCE:FRONT	U003_S001	98	1	X/X	X/O		D24717:
201607-01	1607 Modification	-	D2162101	GUIDE PLATE:REVERSE	D2162102	GUIDE PLATE:REVERSE	U003_S001	64	1	X/O			D24717:
201607-02	1607 Modification	-	D2464636	COVER:DUPLEX	D2464619	COVER:DUPLEX	U011	36	1	X/O			D24717:
201606-01	1606 Modification	-	D2163006	FEELER:ORIGINAL SENSOR	D2163012	FEELER:ORIGINAL SENSOR	U003_S001	74	1	X/O			D24717:
201606-02	1606 Modification	A	D2453063	GEAR:IDLER	D2453064	GEAR:IDLER	U008_S001_S001	29	2	X/X	X/O		D24717:
201606-03	1606 Modification	A	B0393245	GEAR - 15Z	D2453245	GEAR:TRANSPORT SCREW	U008_S001_S001	19	2	X/X	X/O		D24717:
201606-04	1606 Modification	-			D3B62000	GUIDE PLATE:PA PER FEED:ASS'Y	U003_S001_S002	168	1				D24717:
201605-01	1605 Modification	-	D2453000	DEVELOPMENT UNIT:PCU:ASS'Y	D2453001	DEVELOPMENT UNIT:PCU:ASS'Y	U008_S001_S001	28	1	O/O			D24717:
201605-02	1605 Modification	-	AW020203	PHOTOINTERRUPTOR:GP1A173L CS2F	AW020224	PHOTOINTERRUPTOR:GP1A173L CSVF	U004_S001	6	1	O/O			D24717:
			AW020203	PHOTOINTERRUPTOR:GP1A173L CS2F	AW020224	PHOTOINTERRUPTOR:GP1A173L CSVF	U006	11	1	O/O			

Design Change List

Number	Title	Set	Old Part		New Part		Index No.		Q'ty	Interchg		Reason	Cut-in S/N
			P/N	Name	P/N	Name	Group	ID		Indiv.	Set		
		-	AW020203	PHOTOINTERRU PTOR:GP1A173L CS2F	AW020224	PHOTOINTERRU PTOR:GP1A173L CSVF	U006	11	1	O/O			
			AW020203	PHOTOINTERRU PTOR:GP1A173L CS2F	AW020224	PHOTOINTERRU PTOR:GP1A173L CSVF	U009_S001	14	1	O/O			
			AW020203	PHOTOINTERRU PTOR:GP1A173L CS2F	AW020224	PHOTOINTERRU PTOR:GP1A173L CSVF	U009_S002	14	1	O/O			
			AW020203	PHOTOINTERRU PTOR:GP1A173L CS2F	AW020224	PHOTOINTERRU PTOR:GP1A173L CSVF	U009_S003	14	1	O/O			
			AW020203	PHOTOINTERRU PTOR:GP1A173L CS2F	AW020224	PHOTOINTERRU PTOR:GP1A173L CSVF	U009_S004	14	1	O/O			
			AW020203	PHOTOINTERRU PTOR:GP1A173L CS2F	AW020224	PHOTOINTERRU PTOR:GP1A173L CSVF	U014	17	1	O/O			
201605-03	1605 Modification	-	D8840150	PCDU	D8840151	PROCESSES AR OUND PHOTOC ONDUCTOR:SER VICE	U008_S001	31	1	O/O			D24717:
201604-01	1604 Modification	-	D6064124	COLLAR:REVER SE	D3B64124	COLLAR:REVER SE	U003_S001	142	1	X/O			D24717:
201604-02	1604 Modification	-	D2161500	PAPER FEED UN IT:ASS'Y	D3B61500	PAPER FEED UN IT:ASS'Y	U003_S001 _S001	50	1	X/O			D24717:
201604-03	1604 Modification	A	D2162001	GUIDE PLATE:PA PER FEED	D3B62009	GUIDE PLATE:PA PER FEED	U003_S001 _S002	52	1	X/O			D24717:
201604-04	1604 Modification	A	D6062113	PICKUP ROLLER	D3B61503	PICKUP ROLLER	U003_S001 _S001	113	1	X/O			D24717:

Design Change List

Number	Title	Set	Old Part		New Part		Index No.		Q'ty	Interchg		Reason	Cut-in S/N
			P/N	Name	P/N	Name	Group	ID		Indiv.	Set		
201603-01	1603 Modification	B	D2464624	SHAFT:HINGE:U PPER	D2464625	SHAFT:HINGE:U PPER	U011	34	1	X/X	O/O		D24717:
201603-02	1603 Modification	-	08050103	RETAINING RING S-E:SILENCER:DI A3			U011	4	1				D24717:
201603-03	1603 Modification	B			B2232911	SPACER	U011	52	1		O/O		D24717:
201603-04	1603 Modification	B			07200030E	RETAINING RING - M3	U011	51	1		O/O		D24717:
					07200030E	RETAINING RING - M3	U011	51	1				
201602-01	1602 Modification	-	D2452370	DRUM STAY:REA R:ASS'Y	D2452378	DRUM STAY:REA R:ASS'Y	U008_S001	27	1	X/O			D24717:
201602-02	1602 Modification	-	D2162501	GATE PAWL:REV ERSE	D2162511	GATE PAWL:REV ERSE	U003_S001	71	1	X/O			D24717:
201602-03	1602 Modification	-			D2454105	FRAME:INSERT- SCREW:ASS'Y	U009_S001	49	1				D24717:
							U009_S002	49	1				
							U009_S003	49	1				
							U009_S004	49	1				
201601-01	1601 Modification	-	D2453341	CAM:HANDLE	D2453348	CAM:HANDLE	U007_S001	8	1	X/O			D24717:
201601-02	1601 Modification	-	AF040101	EXIT ROLLER:DR IVEN	AF040102	EXIT ROLLER:DR IVEN	U009_S001	13	4	X/O			D24717:
							U009_S002	13	4				
							U009_S003	13	4				
							U009_S004	13	4				
201601-03	1601 Modification	-	D2454004	(-NA):FUSING/PA PER EXIT UNIT:A SS'Y	D2454009	(-NA):FUSING/PA PER EXIT UNIT:1 20V:ASS'Y	U009_S001	48	1	X/O			D24717:
201601-04	1601 Modification	-	D2454420	GUIDE PLATE:EX IT	D2454421	GUIDE PLATE:EX IT	U009_S001	40	1	X/O			D24717:
							U009_S002	40	1				
							U009_S003	40	1				
							U009_S004	40	1				

Design Change List

Number	Title	Set	Old Part		New Part		Index No.		Q'ty	Interchg		Reason	Cut-in S/N
			P/N	Name	P/N	Name	Group	ID		Indiv.	Set		
201512-01	1512 Modification	-			D2454190	SPACER:FUSING UNIT	U009_S001	47	1				D24717:
					D2454190	SPACER:FUSING UNIT	U009_S001	47	1				
					D2454190	SPACER:FUSING UNIT	U009_S002	47	1				
					D2454190	SPACER:FUSING UNIT	U009_S002	47	1				
					D2454190	SPACER:FUSING UNIT	U009_S003	47	1				
					D2454190	SPACER:FUSING UNIT	U009_S003	47	1				
					D2454190	SPACER:FUSING UNIT	U009_S004	47	1				
					D2454190	SPACER:FUSING UNIT	U009_S004	47	1				
201512-02	1512 Modification	-	D6060028	SCREW:HINGE	D2471098	SCREW:HINGE	U003	109	1	O/O			D24717:
201512-03	1512 Modification	-			D2453151	CASE:DEVELOPMENT ROLLER	U008_S001_S001	32	1				D24717:
201512-04	1512 Modification	-			M4483888	PARALLEL PIN:7033514:4X10	U003_S001	167	1				D24717:
					M4483888	PARALLEL PIN:7033514:4X10	U003_S001	167	1				
201507-01	1507 Modification	-	D2452520	PAPER TRAY:AS S'Y	D2452511	PAPER TRAY:AS S'Y	U006_S001	26	1	X/O			D24717:
201507-02	1507 Modification	-	D2471244	COVER:REAR:C	D2471262	COVER:REAR:C	U001	21	1	X/O			D24717:
201507-03	1507 Modification	-			B2706201	(-CHN):DECAL-ENVIRONMENTAL SYMBOL MARK	U001	26	1				D24717:
201507-04	1507 Modification	-			B2776201	(-CHN):DECAL:E	U001	27	1				D24717:

Design Change List

Number	Title	Set	Old Part		New Part		Index No.		Q'ty	Interchg		Reason	Cut-in S/N
			P/N	Name	P/N	Name	Group	ID		Indiv.	Set		
		-				NERGY-SAVE							
201511-01	1511 Modification	A			D2161018	SHEET:GUIDE	U003_S001	166	1				D24717:
					D2161018	SHEET:GUIDE	U003_S001	166	1				
201511-02	1511 Modification	A	D2161015	COMPRESSION SPRING:EXIT:DR IVEN:1	D2161110	COMPRESSION SPRING:EXIT:DR IVEN	U003_S001	44	2	O/O			D24717:
201511-03	1511 Modification	-	D2451961	OPTICAL WRITIN G UNIT:ASS'Y	D2451900	OPTICAL HOUSI NG:ASS'Y	U005_S001	4	1	O/O			D24717:

