



**RICOH UNIVERSITY**

Learning ♦ Knowledge ♦ Performance



**M022/M024/M026/M028**  
**PARTS CATALOG**

006179MIU

**LANIER RICOH SAVIN**





**M022/M024/M026/M028  
PARTS CATALOG**

**LANIER  
RICOH  
SAVIN®**





**RICOH UNIVERSITY**

Learning ♦ Knowledge ♦ Performance

# **M022/M024/M026/M028 PARTS CATALOG**

006179MIU

**LANIER RICOH SAVIN®**



It is the reader's responsibility when discussing the information contained within this document to maintain a level of confidentiality that is in the best interest of Ricoh Americas Corporation and its member companies.

**NO PART OF THIS DOCUMENT MAY BE REPRODUCED IN ANY  
*FASHION AND DISTRIBUTED WITHOUT THE PRIOR  
PERMISSION OF RICOH AMERICAS CORPORATION.***

All product names, domain names or product illustrations, including desktop images, used in this document are trademarks, registered trademarks or the property of their respective companies.

They are used throughout this book in an informational or editorial fashion only and for the benefit of such companies. No such use, or the use of any trade name, or web site is intended to convey endorsement or other affiliation with Ricoh products.





# LEGEND

PRODUCT CODE	COMPANY			
	GESTETNER	LANIER	RICOH	SAVIN
M022	MP C300	LD130C	Aficio MP C300	C230
M024	MP C300SR	LD130CSR	Aficio MP C300SR	C230SR
M025	MP C400	LD140C	Aficio MP C400	C240
M026	MP C400SR	LD140CSR	Aficio MP C400SR	C240SR

# DOCUMENTATION HISTORY

REV. NO.	DATE	COMMENTS
*	01/2011	Original Printing



**Digital Color Copiers**  
**(M022/M026-NA)**  
**Parts Catalog**

Model	Product Code	PC Style
Ricoh Aficio MP C300/Ricoh Aficio MP C300SR/ Ricoh Aficio MP C400/Ricoh Aficio MP C400SR	M022/M024/M026/M028	3D
Paper Feed Unit PB1000	M367	3D
Paper Feed Unit PB1010	M368	3D
1 Bin Tray BN1000	M370	3D
Side Tray Type C400	M369	3D
Fax Option Type C400		Traditional
IEEE 802.11a/g Interface Unit Type J	D377	Traditional
Gigabit Ethernet Type B	D377	Traditional

# Unit All



U001  
EXTERIOR



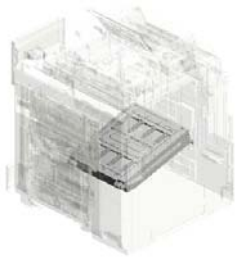
U002  
OPERATION



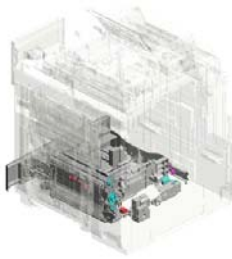
U003  
ADF



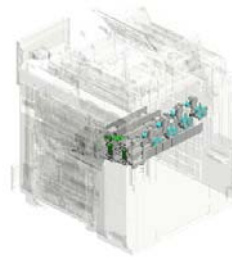
U004  
SCANNER



U005  
LASER UNIT



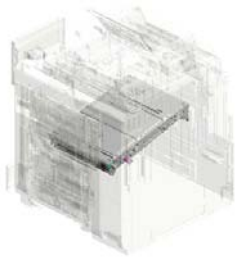
U006  
PAPER FEED



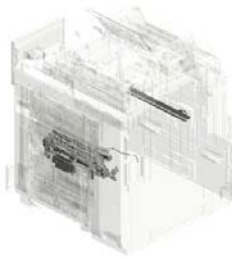
U007  
TONER SUPPLY



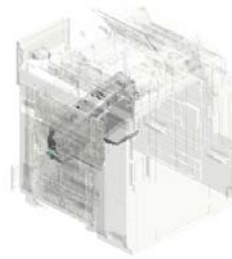
U008  
PCU



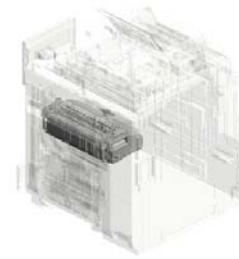
U009  
ITB CLEANING



U010  
IMAGE TRANSFER

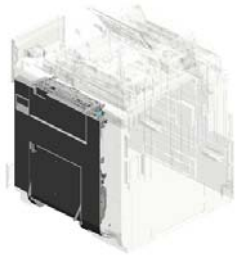


U011  
USED TONER

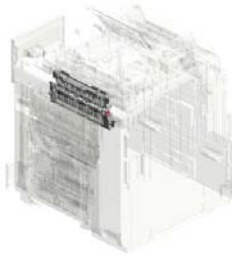


U012  
FUSING

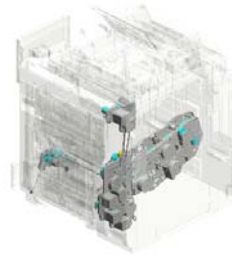
# Unit All



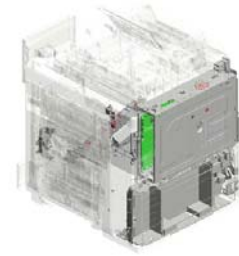
U013  
DUPLEX



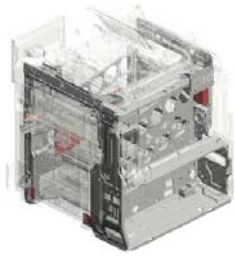
U014  
PAPER EXIT



U015  
MAIN DRIVE



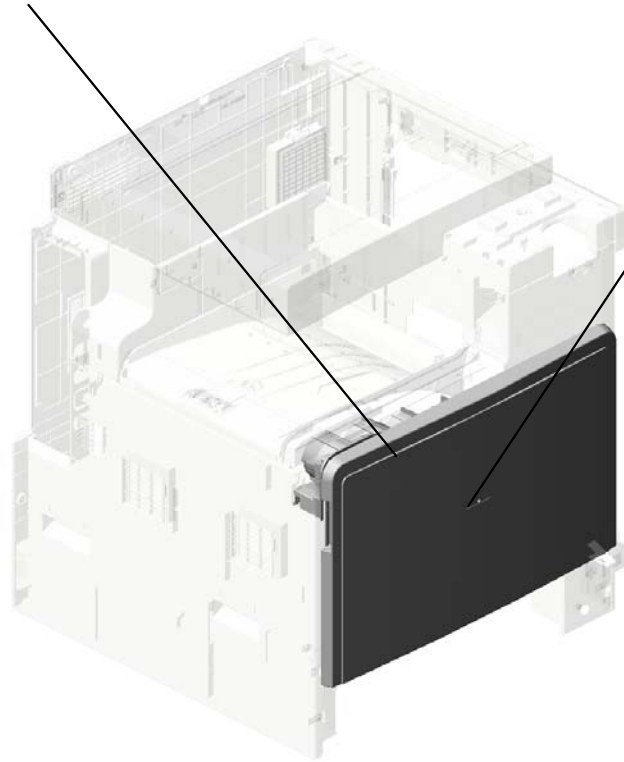
U016  
ELECTRICAL



U017  
MAIN FRAME

# U001.EXTERIOR

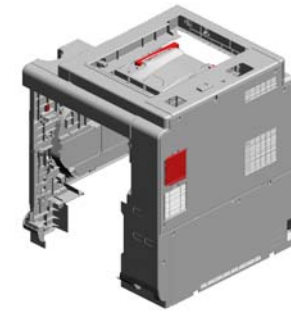
U001\_S002  
M0261285  
INNER COVER:TONER BOTT  
LE



U001\_S001  
M0261250  
COVER:FRONT:ASS'Y

U001	U002	U003	U004	U005	U006	U007	U008	U009	U010	U011	U012	U013	U014	U015	U016	U017
------	------	------	------	------	------	------	------	------	------	------	------	------	------	------	------	------

# U001 EXTERIOR



3.AA010122  
(x2)  
FILTER:REAR

15.M0261257  
COVER:UPPER:EXI  
T

19.M0261262  
COVER:RIGHT:UP  
PER

20.M0261263  
BRACKET:COVER:  
RIGHT:UPPER

1.03603006N  
(x5)  
SCREW - M3X6

4.AA143584  
(x8)  
STEPPED SCREW:  
M3X2

14.M0261256  
COVER:UPPER:IN  
NER BACK

13.M0261255  
COVER:UPPER:IN  
NER BACK:SMALL

22.M0261265  
(x3)  
CAP:TOTAL COUN  
TER

18.M0261260  
COVER:RIGHT:RE  
AR

2.AA010121  
(x2)  
FILTER:IMAGE FO  
RMING MD

12.M0261254  
BRACKET:HINGE:L  
EFT

7.D0391253  
BAND:COVER:FRO  
NT

11.M0261252  
BRACKET:HINGE:R  
IGHT

21.M0261264  
COVER:RIGHT FR  
ONT:LOWER

17.M0261259  
(x2)  
CAP:DIA18

16.M0261258  
COVER:UPPER:FR  
ONT

6.B2591367  
COVER MAGNET

8.D0391254  
SPRING PLATE:BA  
ND

9.D0391259  
(x2)  
SHAFT:COVER:FR  
ONT



# U001 EXTERIOR

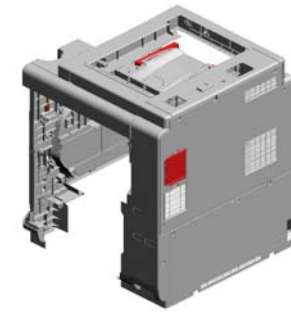
42.M0261298  
COVER:SCANNER:  
LEFT

32.M0261280  
COVER:REAR:UPP  
ER

40.M0261296  
COVER:SCANNER:  
REAR

34.M0261282  
(x2)  
CAP:LOUVER:MM8  
0

41.M0261297  
COVER:SCANNER:  
RIGHT



28.M0261275  
COVER:LEFT:RAC  
K

27.M0261274  
COVER:LEFT:UPP  
ER

33.M0261281  
COVER:REAR:LO  
WER

29.M0261276  
(x2)  
CAP:LOUVER:LEFT

26.M0261272  
(x2)  
GRIP:UPPER

25.M0261271  
COVER:LEFT

30.M0261278  
COVER:UPPER

38.M0261290  
INNER COVER:LEF  
T UPPER

39.M0261291  
INNER COVER:LEF  
T LOWER

31.M0261279  
COVER:UPPER:AU  
XILIARY

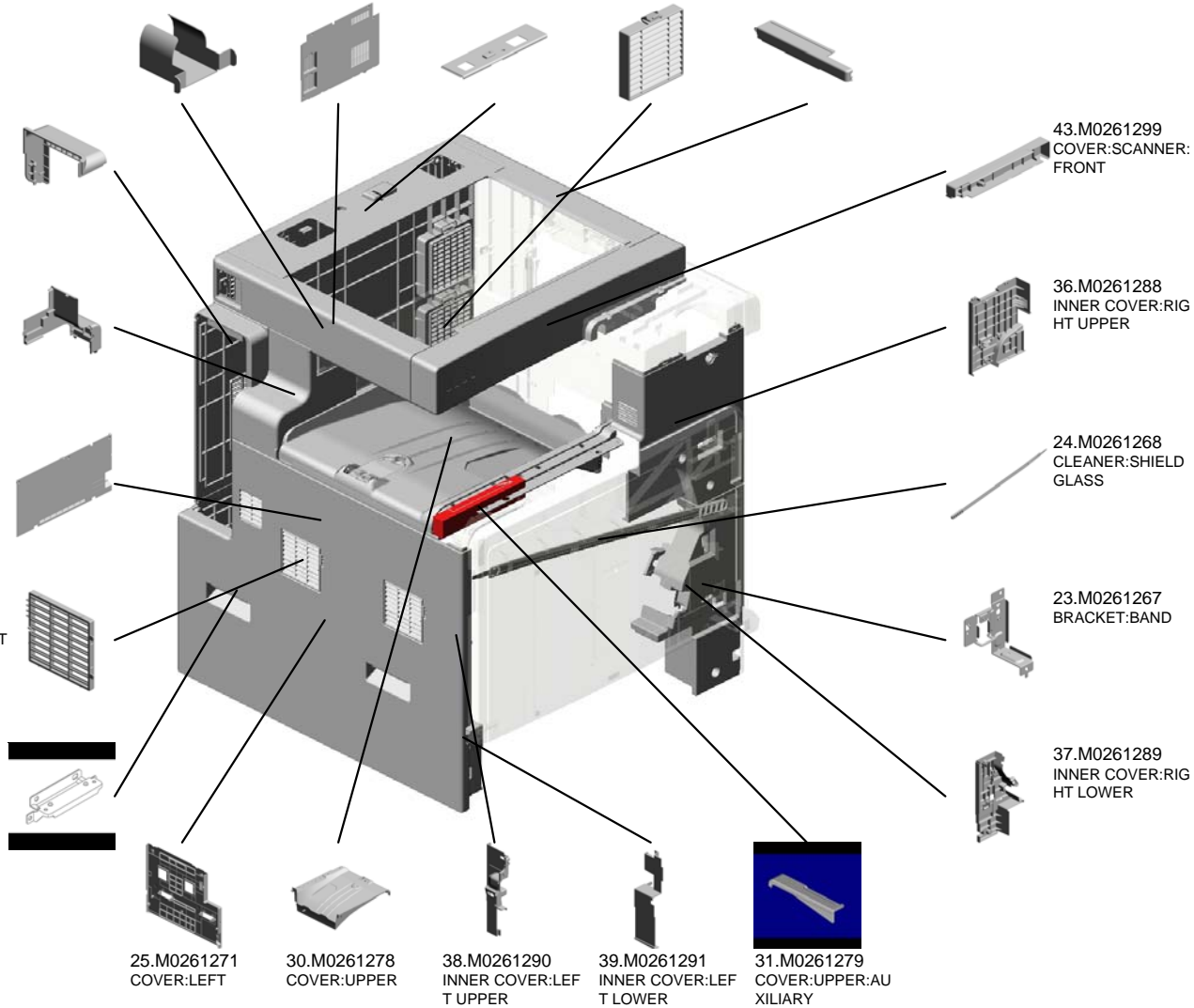
43.M0261299  
COVER:SCANNER:  
FRONT

36.M0261288  
INNER COVER:RIG  
HT UPPER

24.M0261268  
CLEANER:SHIELD  
GLASS

23.M0261267  
BRACKET:BAND

37.M0261289  
INNER COVER:RIG  
HT LOWER

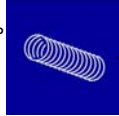


U001  
EXTERIOR

44.M0264476  
STOPPER:END FE  
NCE:EXIT

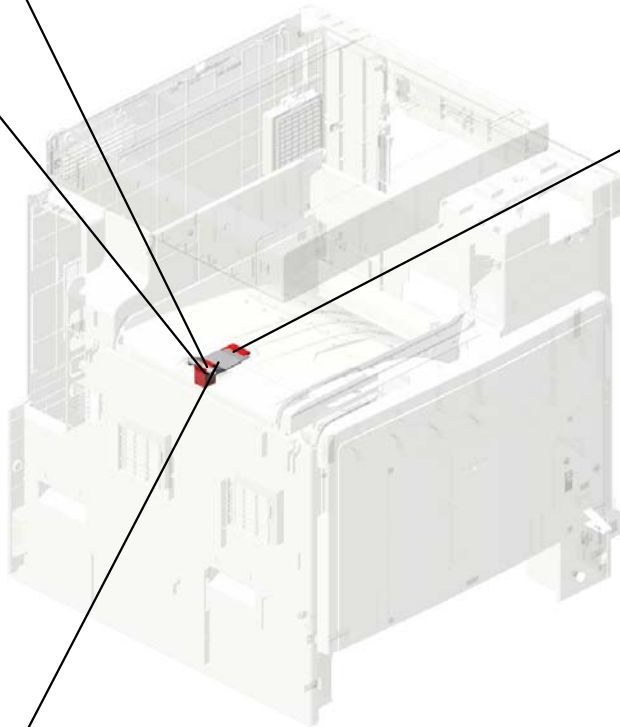
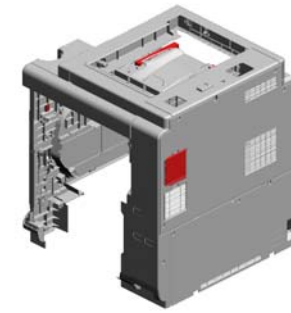


46.M0264478  
COMPRESSION SP  
RING:END FENCE:  
EXIT



47.M0264498  
DECAL:END FENC  
E:EXIT

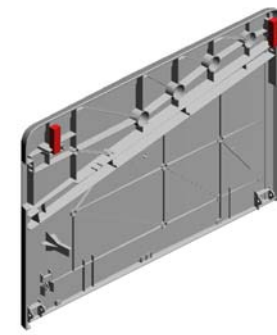
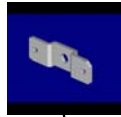
45.M0264477  
END FENCE:EXIT



U001	U002	U003	U004	U005	U006	U007	U008	U009	U010	U011	U012	U013	U014	U015	U016	U017
------	------	------	------	------	------	------	------	------	------	------	------	------	------	------	------	------

U001\_S001  
COVER:FRONT:ASS'Y

5.B0241264  
(x2)  
MAGNET CATCH



10.M0261250  
COVER:FRONT:AS  
SY

U001	U002	U003	U004	U005	U006	U007	U008	U009	U010	U011	U012	U013	U014	U015	U016	U017
------	------	------	------	------	------	------	------	------	------	------	------	------	------	------	------	------

U001\_S002  
INNER COVER:TONER BOTTLE

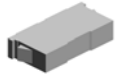
6.B2591367  
COVER MAGNET

49.M0266881  
DECAL:COLORED  
DISPLAY:INNER C  
OVER:M



35.M0261285  
INNER COVER:TO  
NER BOTTLE

50.M0266882  
DECAL:COLORED  
DISPLAY:INNER C  
OVER:Y



51.M0266883  
DECAL:COLORED  
DISPLAY:INNER C  
OVER:BK



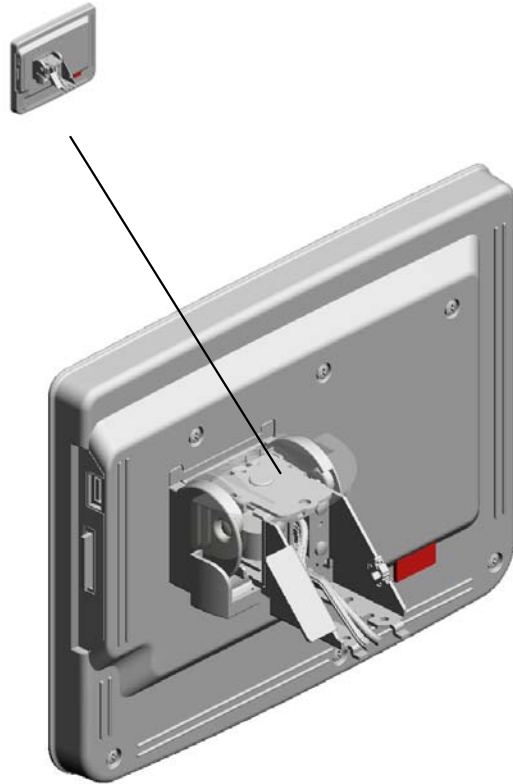
48.M0266880  
DECAL:COLORED  
DISPLAY:INNER C  
OVER:C



U001	U002	U003	U004	U005	U006	U007	U008	U009	U010	U011	U012	U013	U014	U015	U016	U017
------	------	------	------	------	------	------	------	------	------	------	------	------	------	------	------	------

# U002.OPERATION

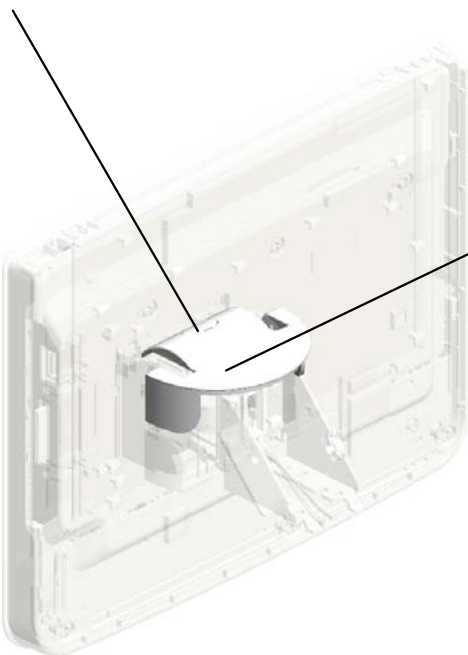
U002\_S001  
M0261440  
OPERATION PANEL:NA:ASS'  
Y



U001	<b>U002</b>	U003	U004	U005	U006	U007	U008	U009	U010	U011	U012	U013	U014	U015	U016	U017
------	-------------	------	------	------	------	------	------	------	------	------	------	------	------	------	------	------

# U002 OPERATION

20.M0261523  
CAP:COVER:HING  
E:UPPER



17.M0261518  
COVER:HINGE:UP  
PER

U002\_S001  
OPERATION PANEL:NA:ASS'Y

12.M0261495 PCB:LDC:NA:FT  
15.M0261516 COVER:HINGE:LEF  
T  
13.M0261498 LCD:TFT:W-VGA:M  
V  
5.D0291484 TOUCH PANEL:WV  
GA:FU-ACF  
1.03530040N (x29)  
SCREW - M3X4



6.M0261440  
OPERATION PANE  
L:NA:ASS'Y

3.B2381534  
(x2)  
LCD SPACER A

21.M0261524  
COVER:HINGE:CL  
AMP

14.M0261515  
HINGE:ASS'Y

7.M0261452  
PCB:KEY:SUB:ASS'  
Y

16.M0261517  
COVER:HINGE:RIG  
HT

11.M0261484  
CABLE:FFC:KEY:S  
UB

22.M0261532  
KEYTOP:START

23.M0261533  
KEYTOP:CLEAR/S  
TOP

18.M0261519  
COVER:HINGE:LO  
WER

8.M0261458  
PCB:KEY:MAIN:AS  
S'Y

10.M0261483  
CABLE:FFC:KEY:M  
AIN

19.M0261520  
COVER:HINGE:MID  
DLE

9.M0261482  
CABLE:FFC:LCD

4.B2381535  
(x2)  
LCD SPACER B

2.11050692  
CLAMP:LES-0503

U002\_S001  
OPERATION PANEL:NA:ASS'Y

29.M0261547  
COVER:REAR

32.M0261555  
SHEET:LCDC

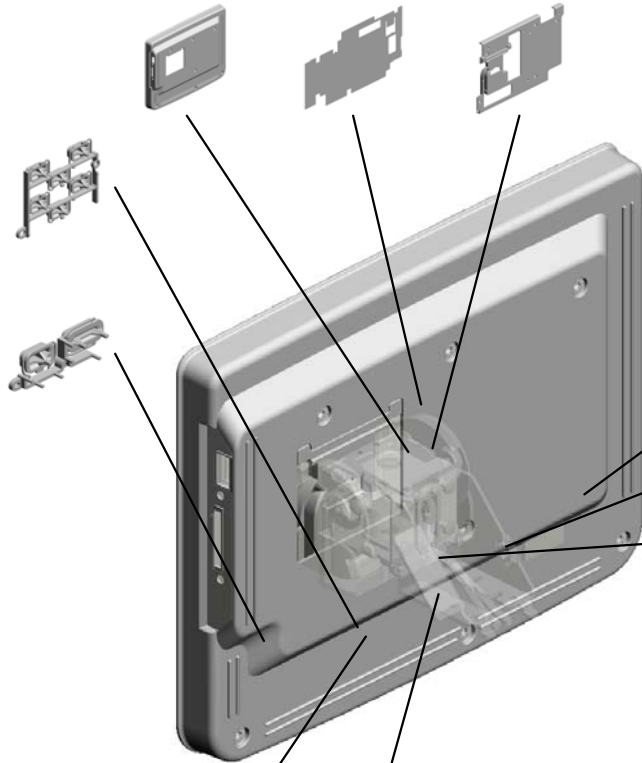
30.M0261548  
COVER:INNER



6.M0261440  
OPERATION PANE  
L:NA:ASS'Y

25.M0261536  
KEYTOP:10KEY:1:  
NA

24.M0261534  
KEYTOP:RESET S  
WITCH



31.M0261553  
SHEET:JOURNAL:  
NA

27.M0261541  
KEYTOP:APPLICAT  
ION:NA

33.M0261556  
KEYTOP:BLANK

26.M0261538  
KEYTOP:10KEY:2:  
NA

28.M0261545  
KEYTOP:OTHER:N  
A

U001	<b>U002</b>	U003	U004	U005	U006	U007	U008	U009	U010	U011	U012	U013	U014	U015	U016	U017
------	-------------	------	------	------	------	------	------	------	------	------	------	------	------	------	------	------

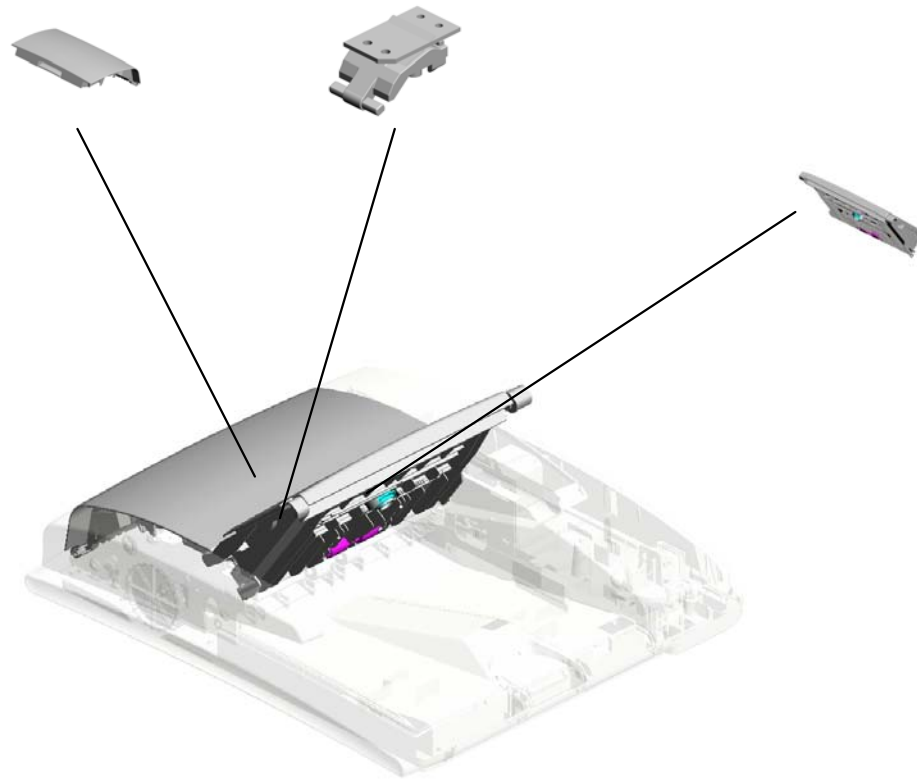


# U003.ADF

U003\_S002  
M3644610  
COVER:PAPER FEED:ASS'Y

U003\_S001  
M3642211  
HOLDER:FRICTION PAD:ASS  
'Y

U003\_S003  
M3644720  
ORIGINAL TABLE:ASS'Y



U001	U002	U003	U004	U005	U006	U007	U008	U009	U010	U011	U012	U013	U014	U015	U016	U017
------	------	------	------	------	------	------	------	------	------	------	------	------	------	------	------	------

# U003 ADF

5.06320100G  
PIN - 2X10MM

22.AA143788  
(x2)  
PIN:GUIDE PLATE:  
PAPER FEED

10.08050089  
(x9)  
RETAINING RING -  
M4

13.11050692  
CLAMP:LES-0503

12.11050511  
HARNESS CLAMP -  
LWS-0306ZC



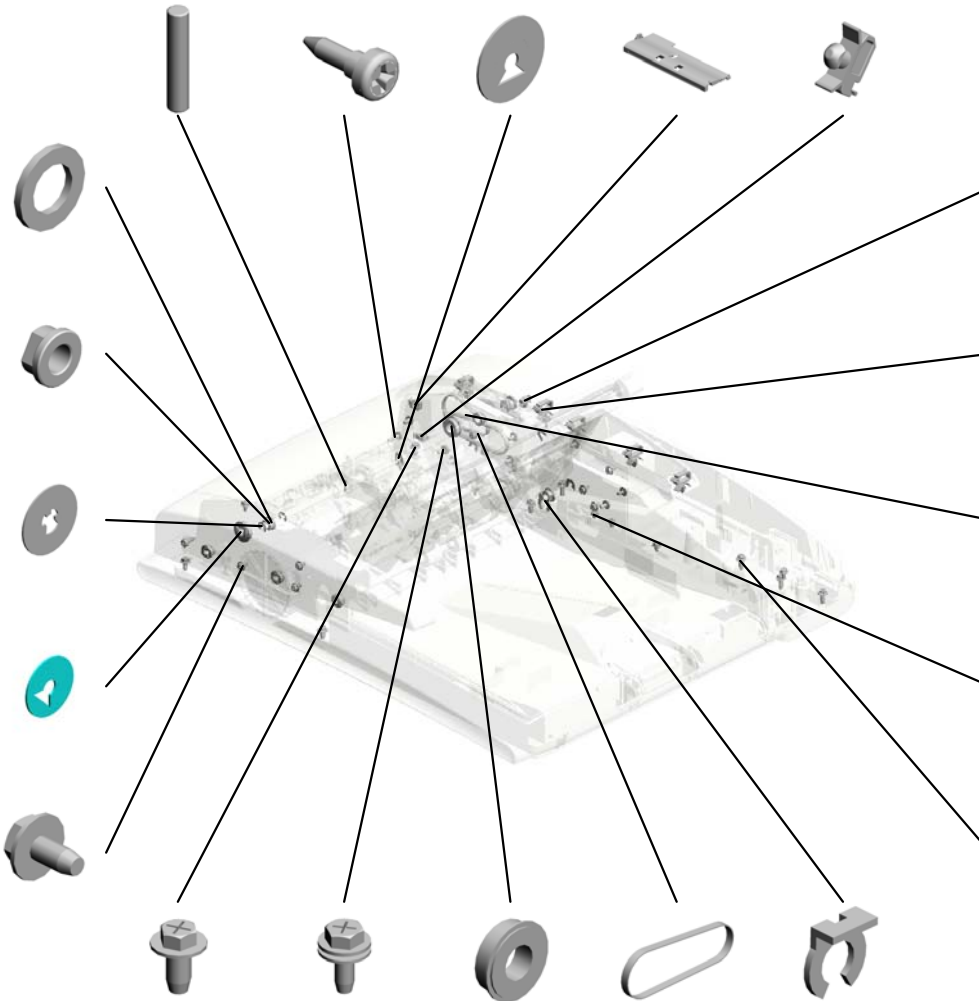
20.AA132208  
SPACER - M6

19.AA082101  
(x7)  
BUSHING - 6X10X6

6.07200040E  
(x2)  
RETAINING RING -  
M4

9.08050088  
RETAINING RING -  
M6

4.04513006N  
(x23)  
TAPPING SCREW -  
3X6



14.11050717  
CLAMP:JDW-1S

11.11050487  
(x5)  
HARNESS CLAMP

18.AA043603  
TIMING BELT:B40S  
2M128

1.03530040N  
(x2)  
SCREW - M3X4

3.04504010N  
(x5)  
TAPPING SCREW:  
M4X10

2.04504008N  
(x4)  
TAPPING SCREW -  
M4X8

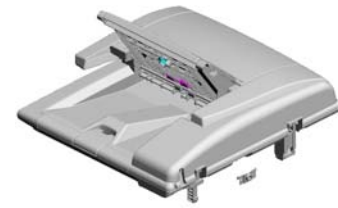
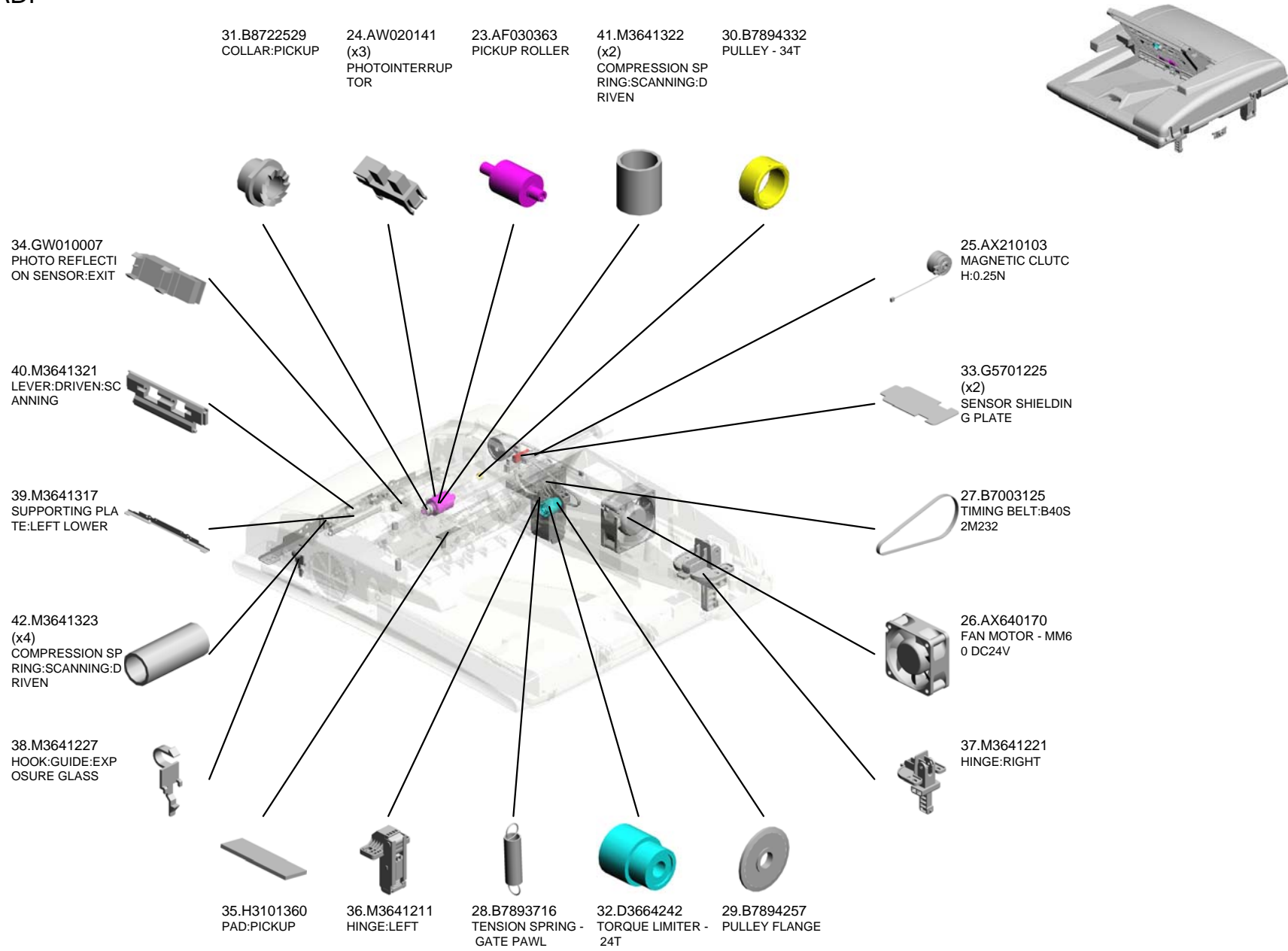
8.08025299  
TAPPING SCREW -  
M3X8

7.07423808  
(x2)  
BALL BEARING - 8  
X16X5

17.AA043319  
TIMING BELT - 40S  
2M156

15.A2222724  
EXTERNAL CIRCLI  
P - MM8

U003  
ADF



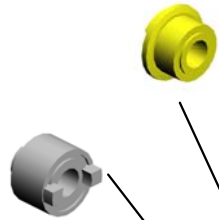
U001	U002	U003	U004	U005	U006	U007	U008	U009	U010	U011	U012	U013	U014	U015	U016	U017
------	------	------	------	------	------	------	------	------	------	------	------	------	------	------	------	------

# U003 ADF

51.M3642123 TIMING PULLEY:PI  
CKUP:DRIVE  
64.M3642222 GUIDE PLATE:OPE  
N AND CLOSE  
49.M3642110 SHAFT:PAPER FEE  
D UNIT  
50.M3642121 FEED ROLLER  
56.M3642143 TORSION SPRING:  
PAPER STOPPER



53.M3642132 TORQUE LIMITER:  
PICKUP



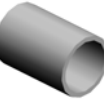
46.M3641342 (x2)  
ROLLER:SCANNIN  
G:DRIVEN:SHORT



43.M3641326 GUIDE PLATE:SCA  
NNING:FRONT LO  
WER



52.M3642124 COMPRESSION SP  
RING:PAPER FEED  
UNIT



44.M3641327 (x2)  
SHEET:SCANNING:  
FRONT LOWER



48.M3641387 (x2)  
BRACKET:PRESSU  
RE PLATE



61.M3642163 TIMING BELT:40S2  
M130



45.M3641335 EXIT ROLLER:DRIV  
EN:ASSY



60.M3642162 TIMING PULLEY:PI  
CKUP



55.M3642142 PAPER STOPPER



58.M3642151 HOLDER:PICKUP



54.M3642141 ARM:PAPER STOP  
PER



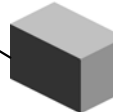
57.M3642144 LINK:PAPER STOP  
PER



59.M3642161 SHAFT:PICKUP



47.M3641386 (x2)  
CUSHION:PRESSU  
RE PLATE



U003  
ADF

71.M3643121 TRANSPORT ROLLER:SCANNING  
 83.M3643416 GUIDE PLATE:REVERSE  
 74.M3643211 GUIDE PLATE:TRANSPORT  
 69.M3643111 TRANSPORT ROLLER:PULL OUT  
 77.M3643227 CUSHION:HARNES



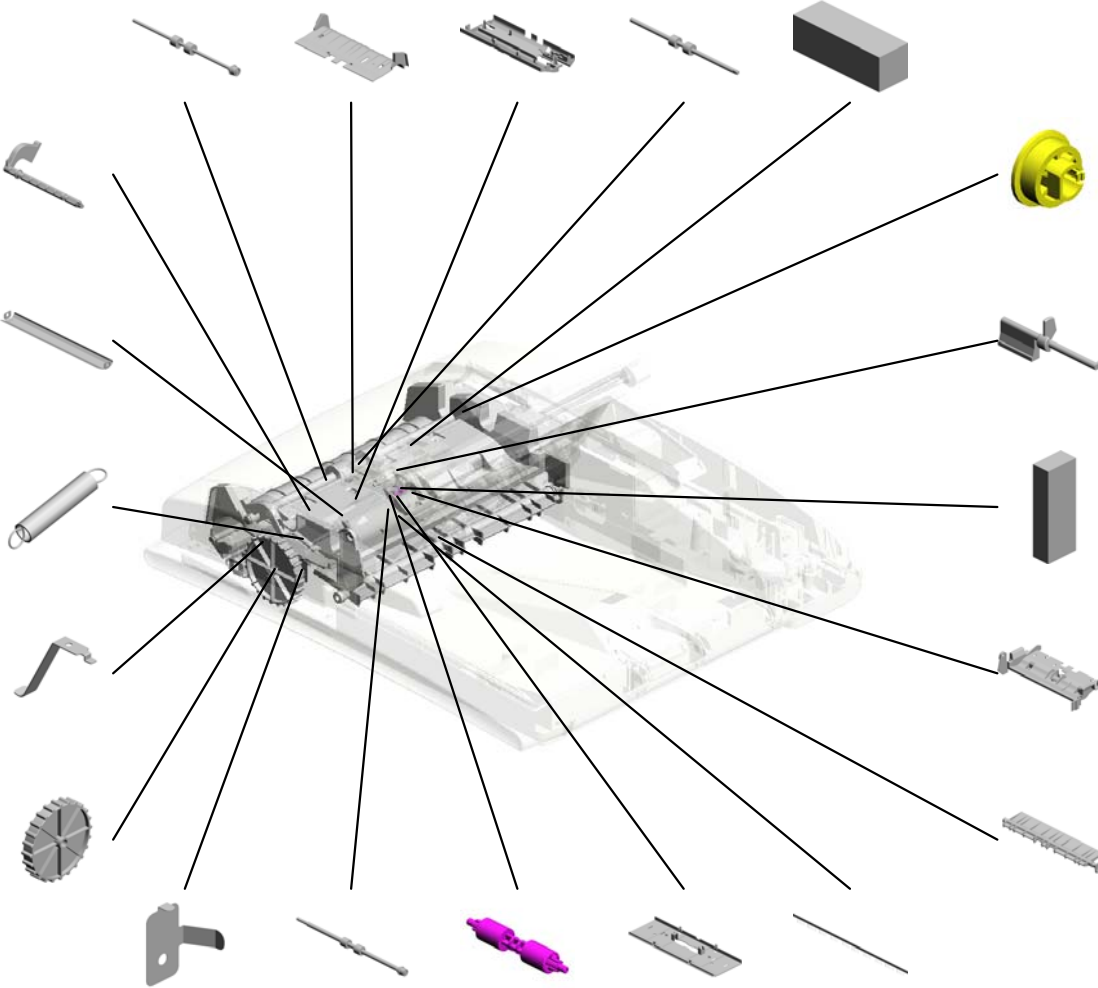
67.M3642314 LEVER:PRESSURE RELEASE:SEPARATION

80.M3643311 GUIDE PLATE:SCANNING

66.M3642313 TENSION SPRING:PRESSURE RELEASE

81.M3643321 (x2) SPRING PLATE:GUIDE:EXPOSURE GLASS

73.M3643136 KNOB:MISFEED REMOVAL



70.M3643116 TIMING PULLEY:PULL OUT

82.M3643412 FEELER:REVERSE

68.M3642315 (x2) CUSHION:SEPARATION

65.M3642311 GUIDE PLATE:PAPER FEED

84.M3643421 GATE PAWL:REVERSE

76.M3643221 SPRING PLATE:EXIT RTH:EXIT  
 72.M3643131 EXIT ROLLER  
 78.M3643232 EXIT ROLLER:DRIVEN  
 79.M3643241 GUIDE PLATE:REVERSE:UPPER  
 75.M3643212 DISCHARGE BRUSH:EXIT:SUS

U003  
ADF

- 96.M3644341 (x2) TENSION SPRING: MOTOR
- 93.M3644251 SHAFT:ELECTROMAGNETIC CLUTCH
- 88.M3644124 GEAR:TIMING PULLEY:COUPLING
- 87.M3644122 GEAR:TIMING PULLEY:SLOW DOWN: PAPER FEED
- 86.M3644121 TIMING PULLEY:SLOW DOWN:PAPER FEED



91.M3644244 TENSION SPRING: TIGHTENER:TRANSPORT

90.M3644231 TIGHTENER:TRANSPORT:ASSY

92.M3644245 TIMING BELT:B80S 1.5M236

108.M3644641 SHAFT:DRIVEN

111.M3644648 (x4) PLAIN SHAFT BEARING:M4

100.M3644521 COVER:FRONT

85.M3643422 CUSHION:GATE PAWL:REVERSE

98.M3644411 DC SOLENOID:GATE PAWL:REVERSE

102.M3644536 TRAY:AUXILIARY

101.M3644531 COVER:RIGHT

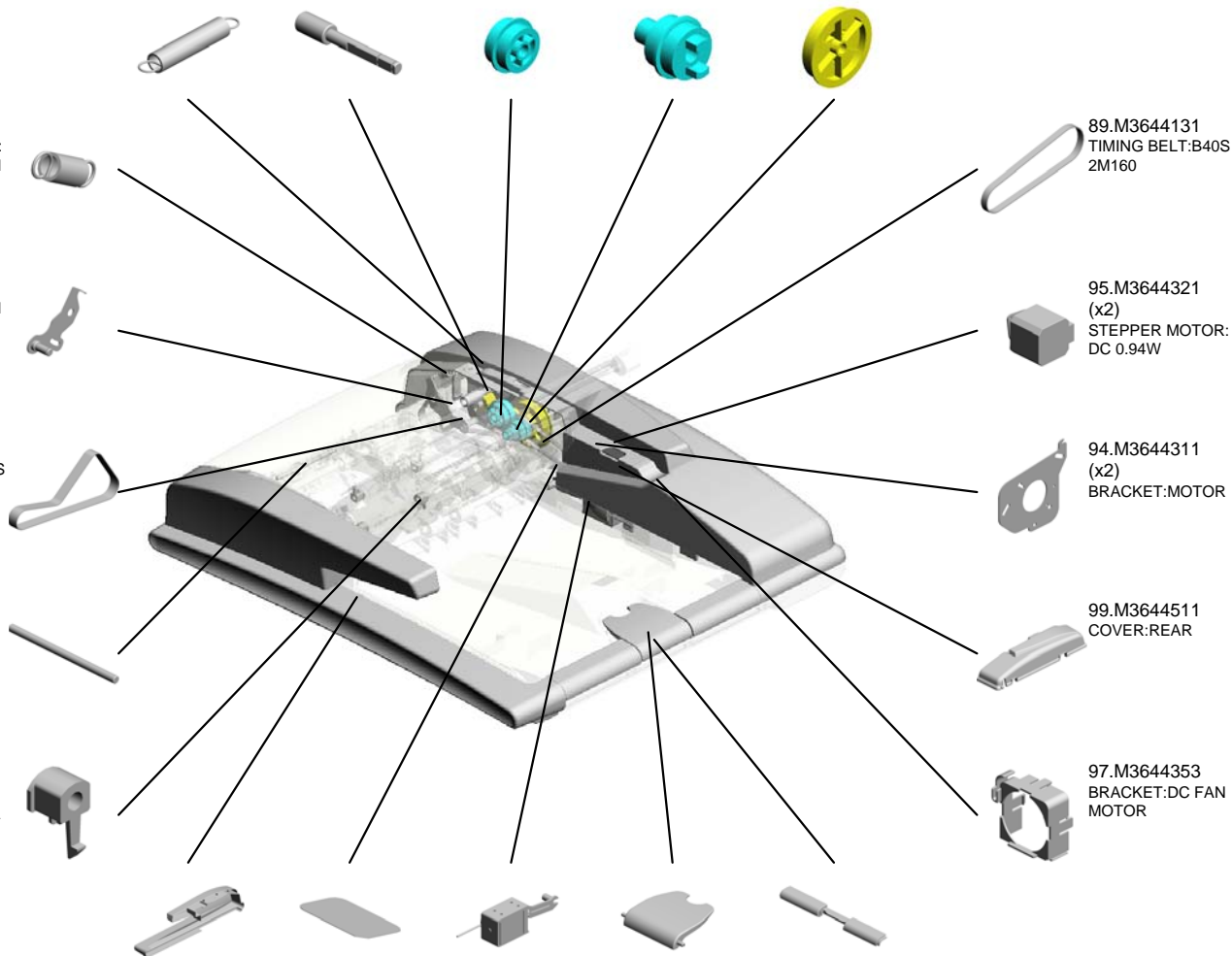
89.M3644131 TIMING BELT:B40S 2M160

95.M3644321 (x2) STEPPER MOTOR: DC 0.94W

94.M3644311 (x2) BRACKET:MOTOR

99.M3644511 COVER:REAR

97.M3644353 BRACKET:DC FAN MOTOR



U003  
ADF

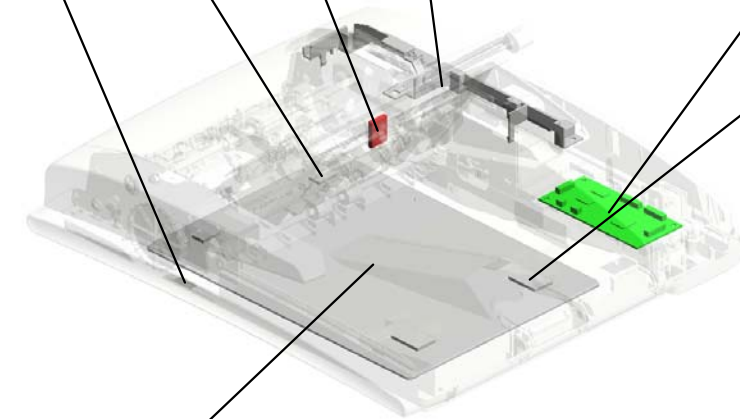
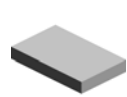
121.M3644821  
(x2)  
TAPE:PRESSURE  
PLATE:LEFT

125.M3646021  
DECAL:ORIGINAL  
TABLE

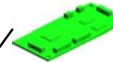
124.M3645751  
GUIDE:HARNES



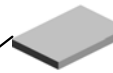
129.M3646051  
DECAL:LEVER:KN  
OB



123.M3645022  
PCB:MAIN CONTR  
OL:ASS'Y



122.M3644823  
(x2)  
TAPE:PRESSURE  
PLATE



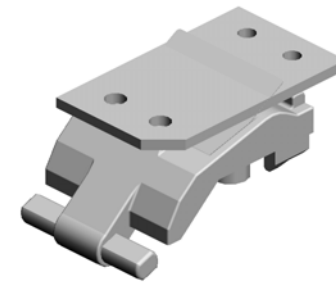
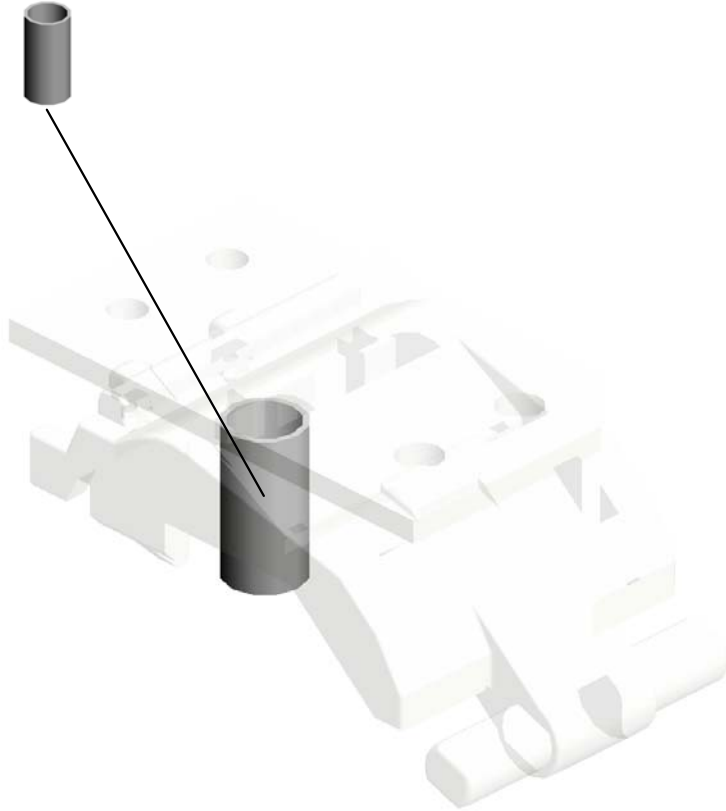
120.M3644811  
PRESSURE PLATE



U001	U002	U003	U004	U005	U006	U007	U008	U009	U010	U011	U012	U013	U014	U015	U016	U017
------	------	------	------	------	------	------	------	------	------	------	------	------	------	------	------	------

U003\_S001  
HOLDER: FRICTION PAD: ASS'Y

63.M3642213  
COMPRESSION SP  
RING: SEPARATIO  
N

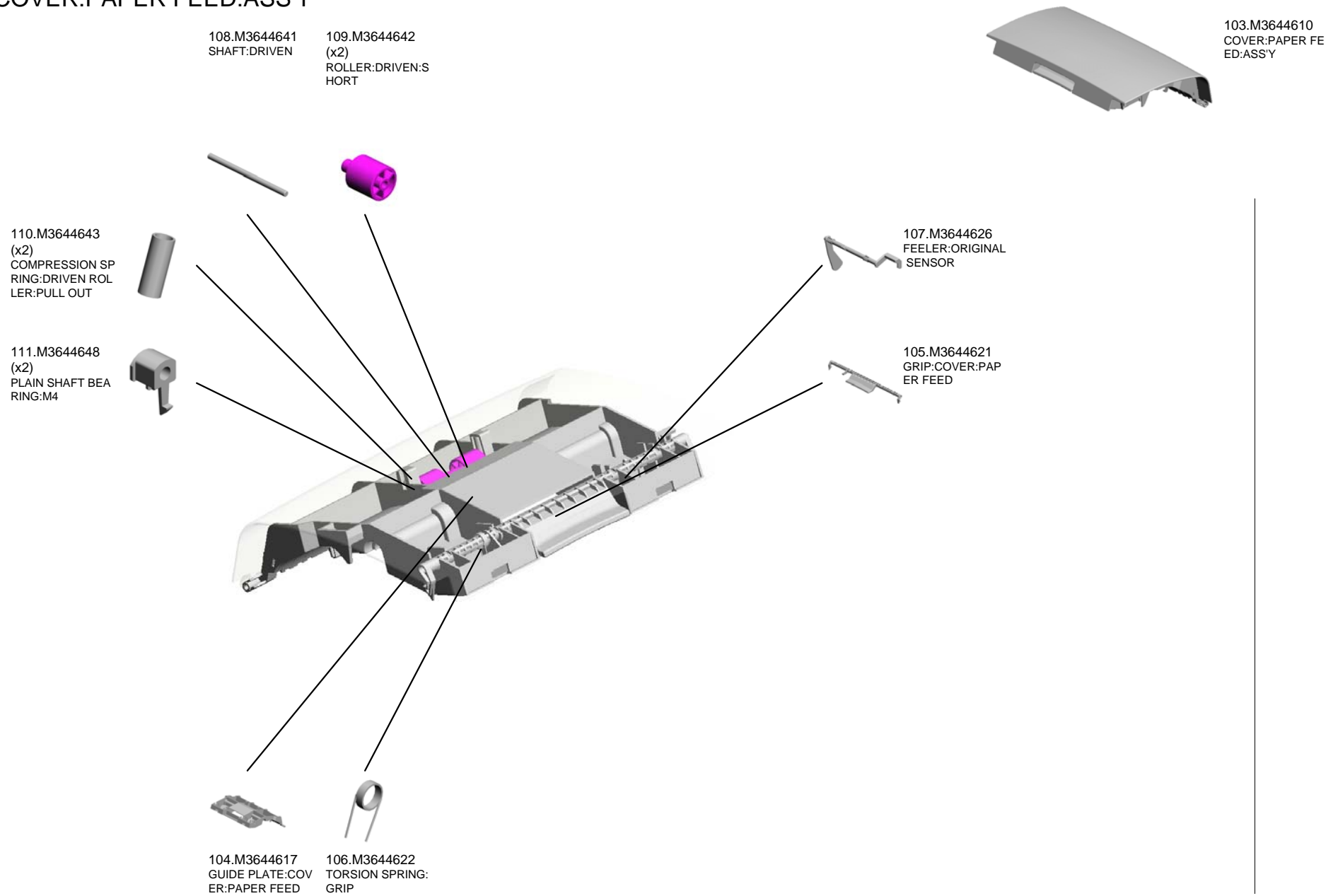


62.M3642211  
HOLDER: FRICTION  
PAD: ASS'Y

U001	U002	U003	U004	U005	U006	U007	U008	U009	U010	U011	U012	U013	U014	U015	U016	U017
------	------	------	------	------	------	------	------	------	------	------	------	------	------	------	------	------



U003\_S002  
COVER:PAPER FEED:ASS'Y



U001	U002	U003	U004	U005	U006	U007	U008	U009	U010	U011	U012	U013	U014	U015	U016	U017
------	------	------	------	------	------	------	------	------	------	------	------	------	------	------	------	------

U003\_S003  
ORIGINAL TABLE:ASS'Y

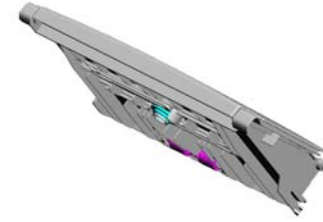
119.M3644751  
EXTENSION TRAY

21.AA132225  
(x2)  
SPACER:DIA10XDI  
A15X1

117.M3644743  
COMPRESSION SP  
RING:SIDE FENCE

118.M3644744  
GEAR:SIDE FENCE

112.M3644720  
ORIGINAL TABLE:A  
SS'Y



127.M3646032  
DECAL:ORIGINAL  
SCALE:FRONT



116.M3644742  
SIDE FENCE:FRON  
T



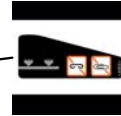
113.M3644724  
(x2)  
SPRING PLATE:RE  
VERSE:PRESSURE



126.M3646031  
DECAL:ORIGINAL  
SCALE:INNER BAC  
K



128.M3646041  
DECAL:SIDE FENC  
E



114.M3644736  
(x2)  
CUSHION:SIDE FE  
NCE:SMALL



16.A3344678  
(x4)  
RACK SHIELD MYL  
AR



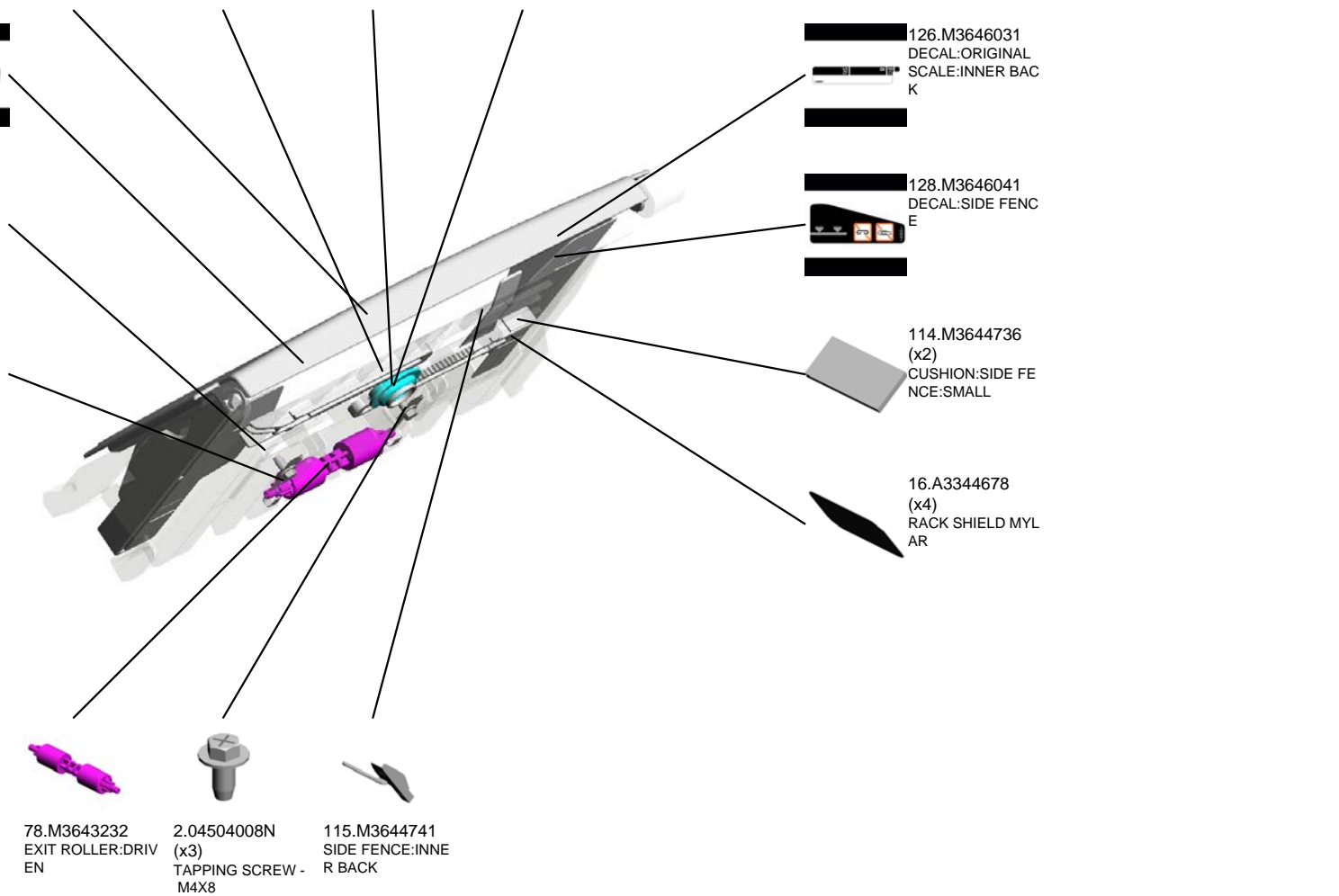
78.M3643232  
EXIT ROLLER:DRIV  
EN



2.04504008N  
(x3)  
TAPPING SCREW -  
M4X8

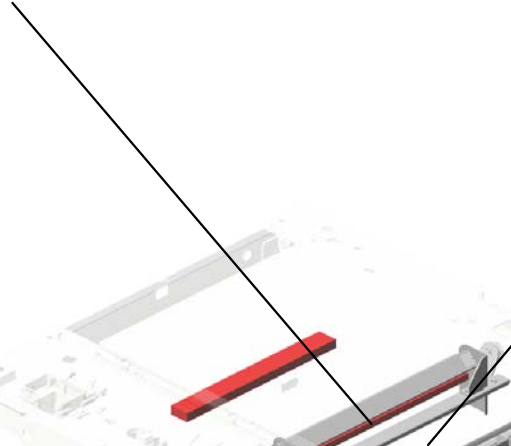


115.M3644741  
SIDE FENCE:INNE  
R BACK

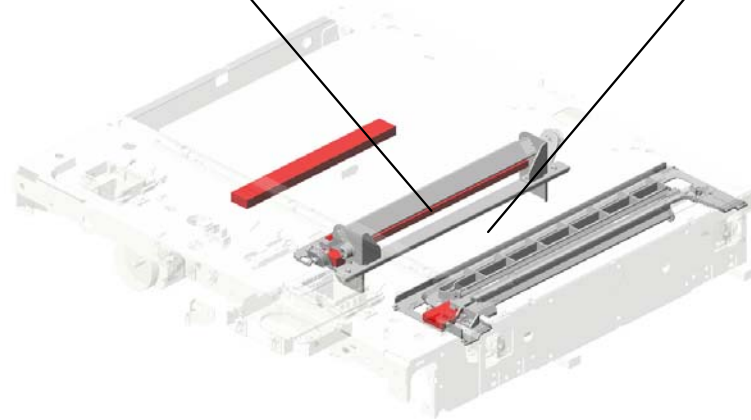


# U004.SCANNER

U004\_S002  
M0261771  
CARRIAGE:NO.2:ASS'Y



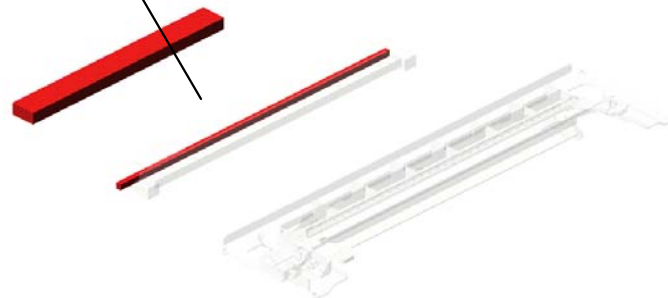
U004\_S001  
M0261800  
CARRIAGE:NO.1:ASS'Y



U001	U002	U003	U004	U005	U006	U007	U008	U009	U010	U011	U012	U013	U014	U015	U016	U017
------	------	------	------	------	------	------	------	------	------	------	------	------	------	------	------	------

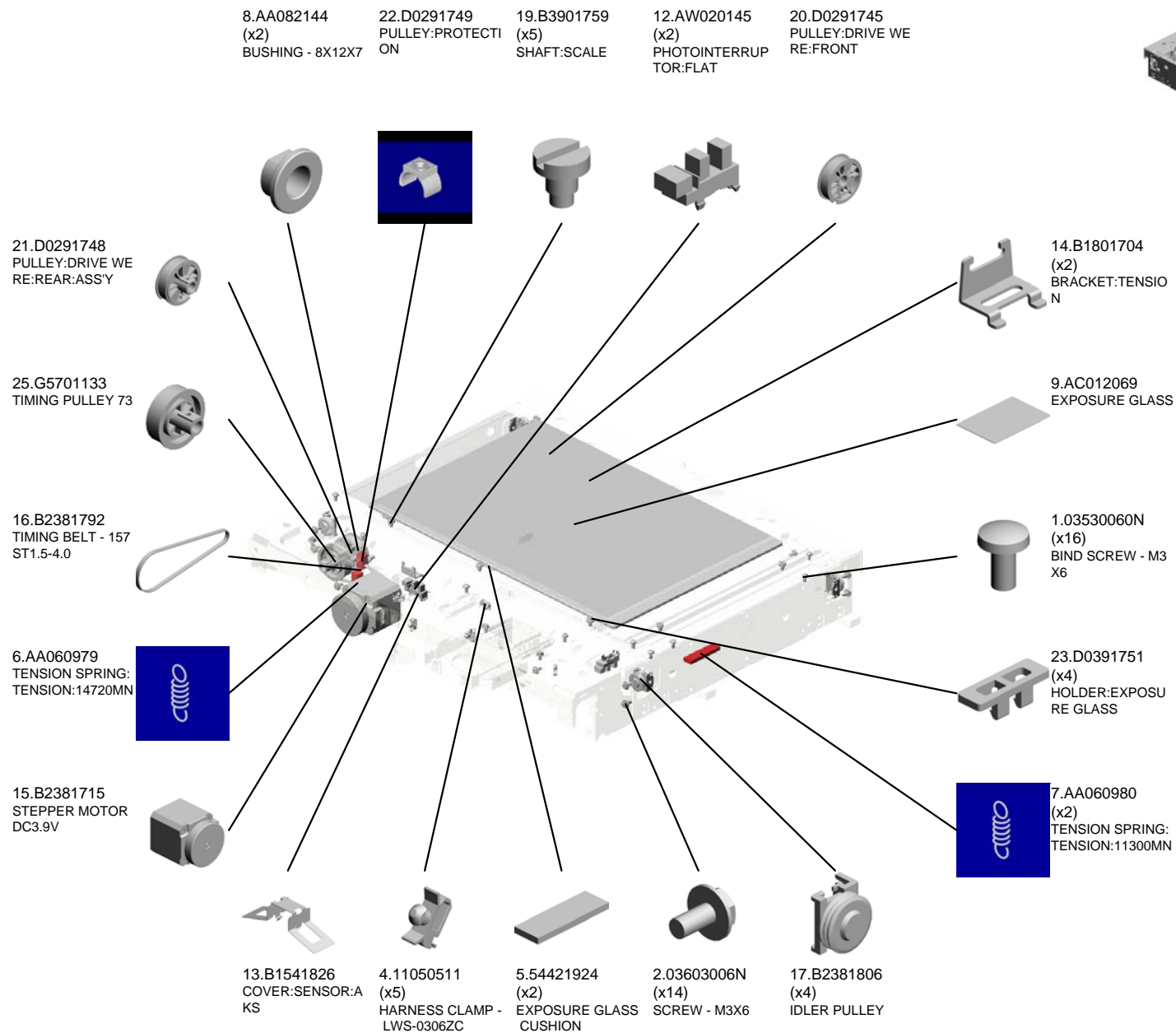
# U004\_S001.CARRIAGE:NO.1:ASS'Y

U004\_S001\_S001  
M0261802  
ILLUMINATION UNIT:LED-B:A  
SS'Y



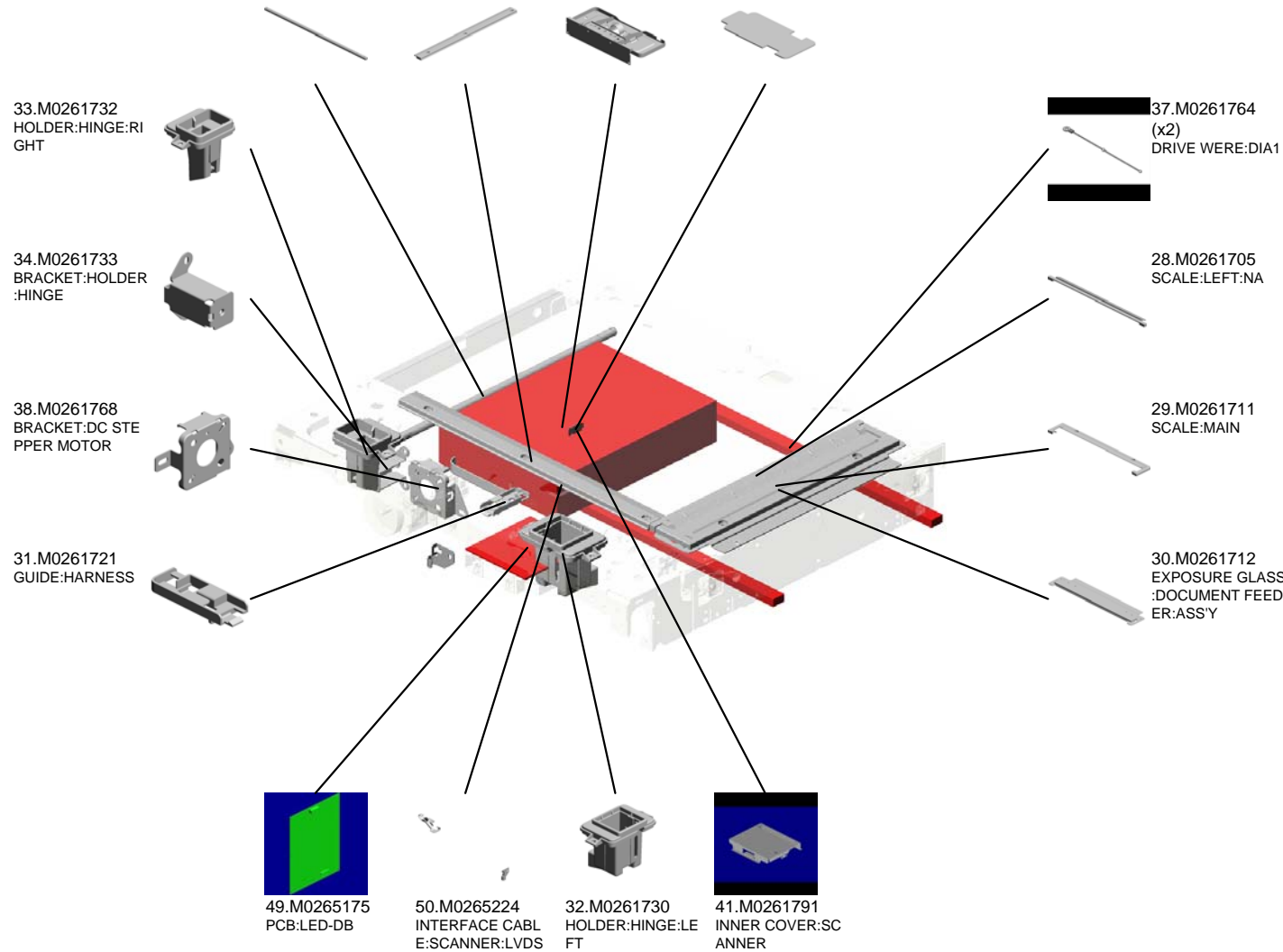
U001	U002	U003	U004	U005	U006	U007	U008	U009	U010	U011	U012	U013	U014	U015	U016	U017
------	------	------	------	------	------	------	------	------	------	------	------	------	------	------	------	------

# U004 SCANNER



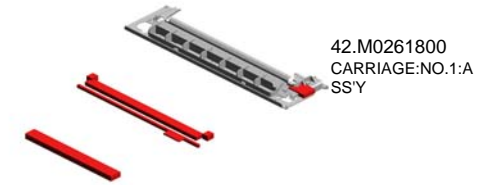
# U004 SCANNER

36.M0261762 SHAFT:SCANNER:DRIVE  
 27.M0261700 SCALE:INNER BACK:PRINTING  
 35.M0261751 HOLDER:LENS:ASSY  
 26.G5701225 SENSOR SHIELDING PLATE



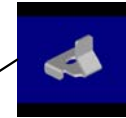
U004\_S001  
CARRIAGE:NO.1:ASS'Y

44.M0261805 10.AC030177  
REFLECTOR:SCAN MIRROR:NO.1  
NER



42.M0261800  
CARRIAGE:NO.1:A  
SS'Y

47.M0261814  
SHEET:GUIDE:HAR  
NESS:LED-B



46.M0261813  
(x2)  
CLAMP:WIRE



48.M0261815  
(x2)  
CLAMP:MIRROR:N  
O.1

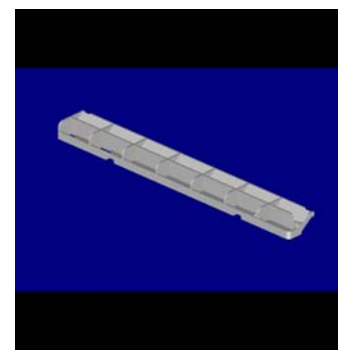
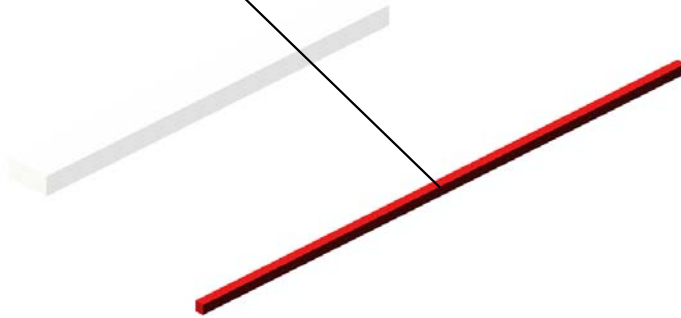


45.M0261812  
GUIDE:HARNESS:L  
ED-B

U001	U002	U003	U004	U005	U006	U007	U008	U009	U010	U011	U012	U013	U014	U015	U016	U017
------	------	------	------	------	------	------	------	------	------	------	------	------	------	------	------	------

U004\_S001\_S001  
ILLUMINATION UNIT:LED-B:ASS'Y

44.M0261805  
REFLECTOR:SCAN  
NER



43.M0261802  
ILLUMINATION UNI  
T:LED-B:ASS'Y

U001	U002	U003	U004	U005	U006	U007	U008	U009	U010	U011	U012	U013	U014	U015	U016	U017
------	------	------	------	------	------	------	------	------	------	------	------	------	------	------	------	------



U004\_S002  
CARRIAGE:NO.2:ASS'Y

18.B2381807  
(x2)  
PULLEY

40.M0261778  
GUIDE:FFC



39.M0261771  
CARRIAGE:NO.2:A  
SS'Y

3.07200040E  
(x2)  
RETAINING RING -  
M4



11.AC030178  
(x2)  
MIRROR:NO.2



24.G4042810  
(x4)  
SPRING PLATE - 2  
ND MIRROR



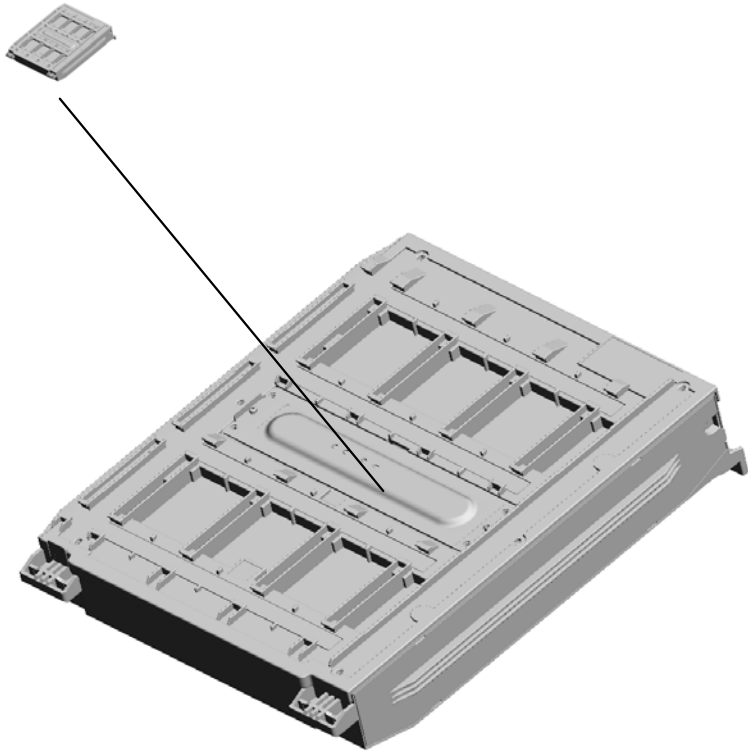
1.03530060N  
BIND SCREW - M3  
X6



U001	U002	U003	U004	U005	U006	U007	U008	U009	U010	U011	U012	U013	U014	U015	U016	U017
------	------	------	------	------	------	------	------	------	------	------	------	------	------	------	------	------

U005  
LASER UNIT

1.M0261855  
IMAGING UNIT:SE  
RVICE PARTS



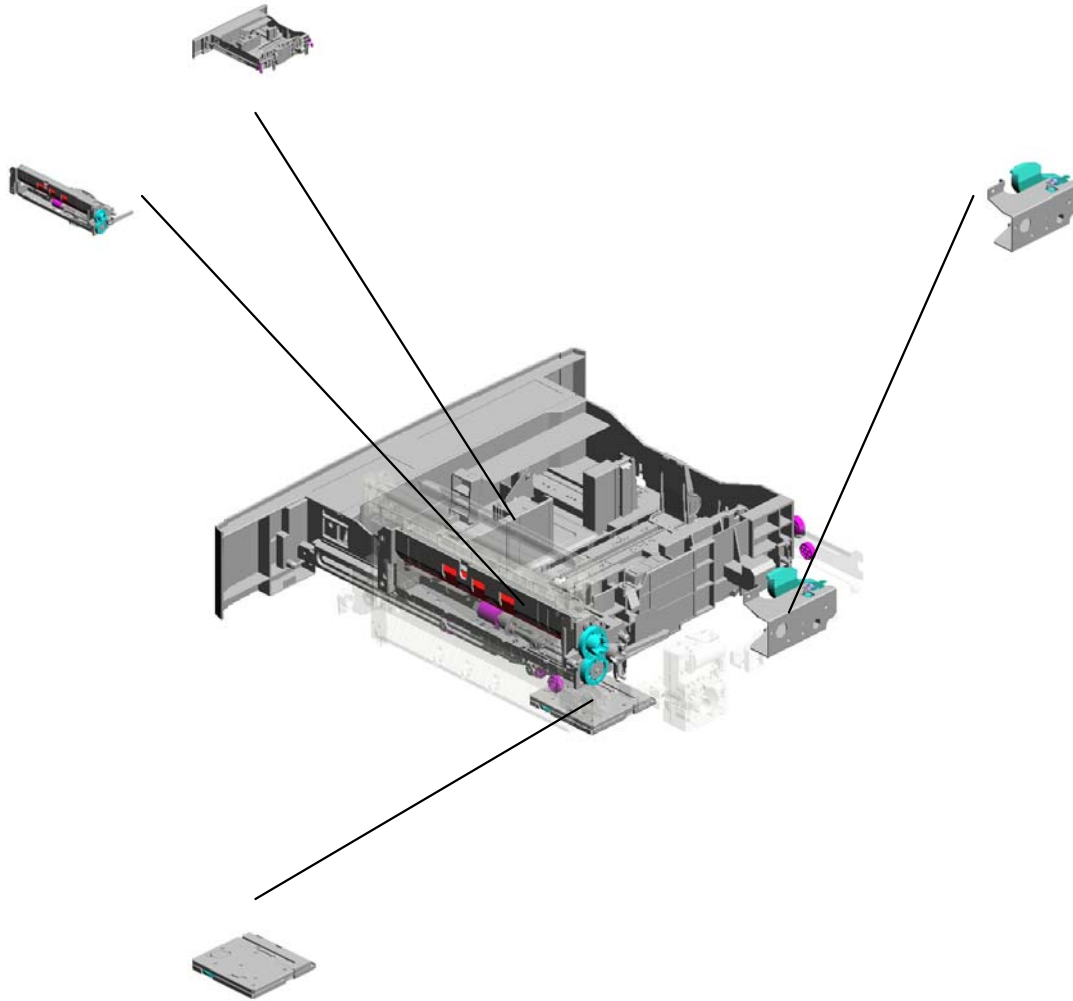
U001	U002	U003	U004	<b>U005</b>	U006	U007	U008	U009	U010	U011	U012	U013	U014	U015	U016	U017
------	------	------	------	-------------	------	------	------	------	------	------	------	------	------	------	------	------

# U006.PAPER FEED

U006\_S003  
M0262900  
PAPER TRAY:ASSY

U006\_S002  
M0262750  
PAPER FEED UNIT

U006\_S001  
B2232730  
PAPER TRAY STOPPER ASS'  
Y



U006\_S004  
M0262985  
LEVER:STRETCH:TRAY

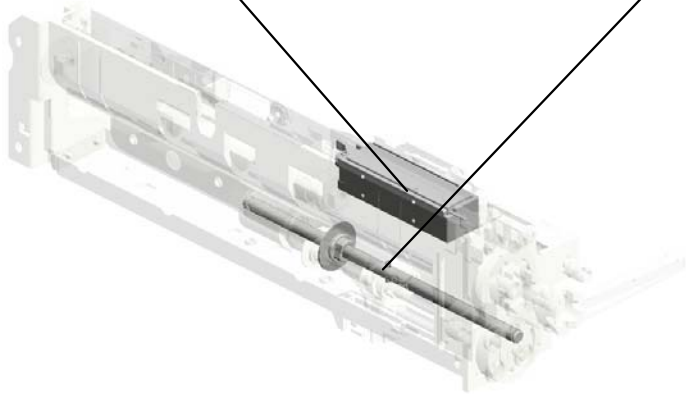
U001	U002	U003	U004	U005	<b>U006</b>	U007	U008	U009	U010	U011	U012	U013	U014	U015	U016	U017
------	------	------	------	------	-------------	------	------	------	------	------	------	------	------	------	------	------

# U006\_S002.PAPER FEED UNIT

U006\_S002\_S001  
M0262780  
DC SOLENOID:PICKUP:ASS'  
Y



U006\_S002\_S002  
M0262810  
SHAFT:SEPARATE:DRIVEN:A  
SSY



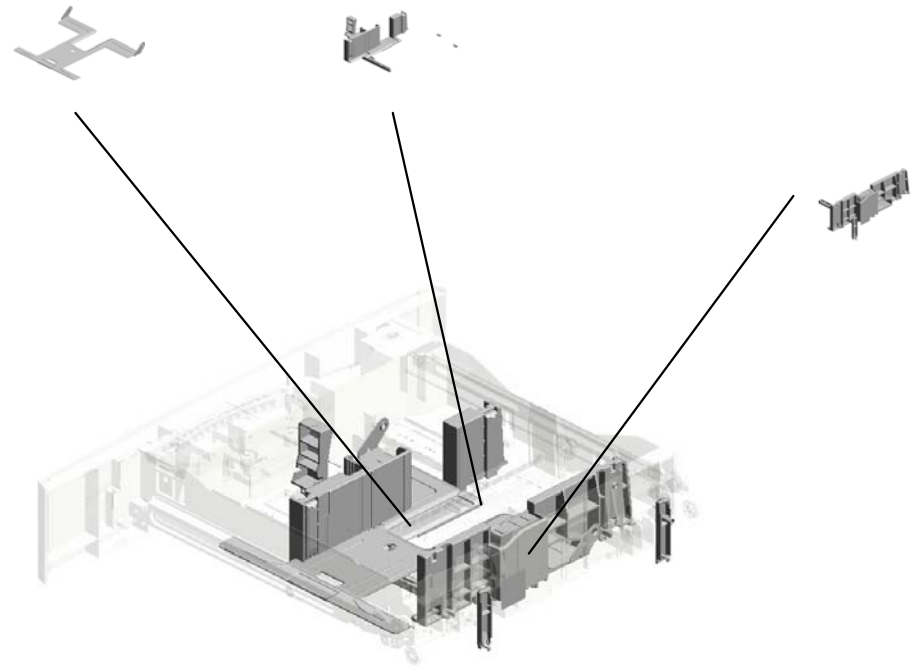
U001	U002	U003	U004	U005	<b>U006</b>	U007	U008	U009	U010	U011	U012	U013	U014	U015	U016	U017
------	------	------	------	------	-------------	------	------	------	------	------	------	------	------	------	------	------

# U006\_S003.PAPER TRAY:ASS'Y

U006\_S003\_S003  
M0262940  
TRAY BOTTOM PLATE:ASS'Y

U006\_S003\_S001  
M0262920  
SIDE FENCE:FRONT:ASS'Y

U006\_S003\_S002  
M0262930  
SIDE FENCE:REAR:ASS'Y



U001	U002	U003	U004	U005	<b>U006</b>	U007	U008	U009	U010	U011	U012	U013	U014	U015	U016	U017
------	------	------	------	------	-------------	------	------	------	------	------	------	------	------	------	------	------

# U006 PAPER FEED

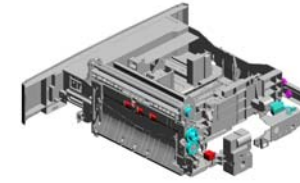
51.M0262552  
REGISTRATION R  
OLLER:DRIVEN

33.AW010107  
PAPER FEED SEN  
SOR

7.08025299  
TAPPING SCREW -  
M3X8

46.B2382655  
GEAR - 16Z

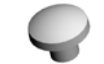
9.08050092  
(x2)  
RETAINING RING -  
3M



18.AA082075  
(x2)  
BUSHING - M6



1.03530030N  
(x2)  
SCREW:M3X3



50.M0262551  
REGISTRATION R  
OLLER:DRIVE



23.AA161163  
CUSHION



32.AF040571  
(x3)  
GUIDE ROLLER



12.52062686  
(x2)  
SNAP RING



5.04543008Q  
(x6)  
TAPPING SCREW:  
3X8



4.04543006Q  
(x16)  
TAPPING SCREW -  
M3X6



52.M0262553  
GEAR:REGISTRATI  
ON:26Z



10.11050511  
HARNESS CLAMP -  
LWS-0306ZC



53.M0262554  
GEAR:REGISTRATI  
ON:DRIVEN:14Z



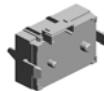
47.B2382675  
(x2)  
REGISTRATION R  
OLLER BUSHING



8.08050089  
(x3)  
RETAINING RING -  
M4



36.AW500038  
PUSH SWITCH:PA  
PER SIZE SENSOR



37.AX040154  
DC MOTOR 24V



# U006 PAPER FEED

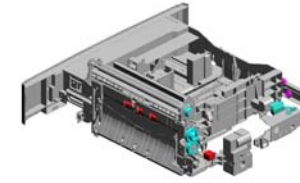
57.M0262574  
ROLLER:REMOVE  
PAPER DUST

56.M0262571  
CASE:REMOVE PA  
PER DUST

61.M0262583  
COVER:REMOVE P  
APER DUST:ADHE  
SION

59.M0262577  
SHEET:COVER:RE  
MOVE PAPER DUS  
T

67.M0262719  
ROLLER:SUPPORT  
ER:LEFT:PAPER T  
RAY



60.M0262581  
GEAR:ROLLER:RE  
MOVE PAPER DUS  
T



55.M0262567  
GUIDE PLATE:REG  
ISTRATION:RIGHT



58.M0262575  
CUSHION:REMOV  
E PAPER DUST



62.M0262584  
SHEET:REMOVE P  
APER DUST:RIGHT



71.M0262726  
ROLLER:SUPPORT  
ER:RIGHT:PAPER  
TRAY



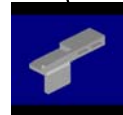
66.M0262715  
SUPPORTER:RIGH  
T:ASS'Y



89.M0262835  
GUIDE PLATE:SWI  
VEL



65.M0262714  
SPACER:SEPARAT  
E



90.M0262848  
COVER:HARNES  
S



63.M0262585  
GUIDE:HARNES  
S:REGISTRATION



64.M0262710  
SUPPORTER:LEFT  
:ASS'Y



54.M0262555  
(x2)  
TENSION SPRING:  
REGISTRATION:7N



69.M0262722  
COVER:STOPPER:  
PAPER TRAY



68.M0262721  
BRACKET:PUSH S  
WITCH



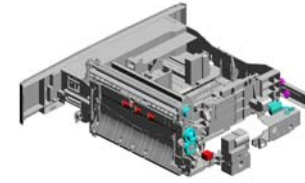
70.M0262723  
BRACKET:HARNES  
S:HEATER



# U006 PAPER FEED

116.M0262950  
BRACKET:PAPER  
FEED UNIT

119.M0262988  
CLIP:STRETCH:UN  
I



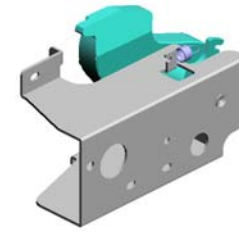
115.M0262948  
COVER:CONNECT  
OR

U001	U002	U003	U004	U005	<b>U006</b>	U007	U008	U009	U010	U011	U012	U013	U014	U015	U016	U017
------	------	------	------	------	-------------	------	------	------	------	------	------	------	------	------	------	------

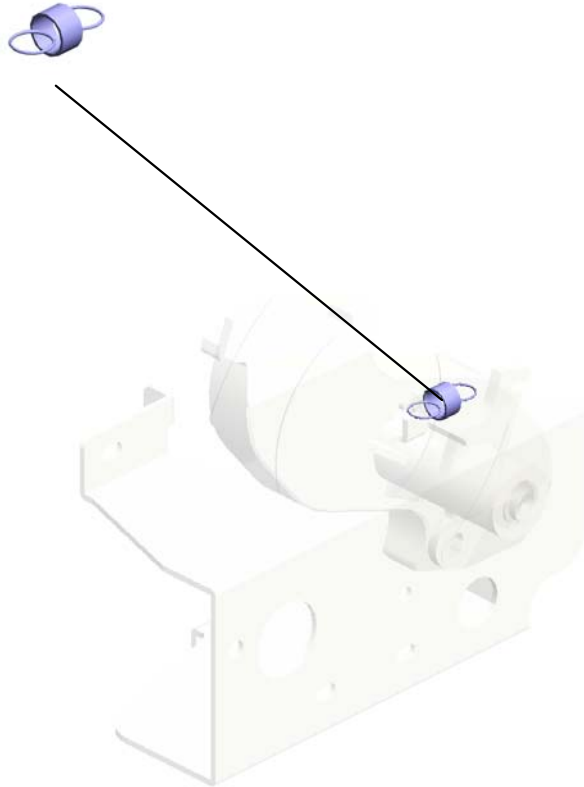


U006\_S001  
PAPER TRAY STOPPER ASS'Y

17.AA062257  
SPRING:UN LOCK



39.B2232730  
PAPER TRAY STO  
PPER ASS'Y



U001	U002	U003	U004	U005	<b>U006</b>	U007	U008	U009	U010	U011	U012	U013	U014	U015	U016	U017
------	------	------	------	------	-------------	------	------	------	------	------	------	------	------	------	------	------

# U006\_S002 PAPER FEED UNIT

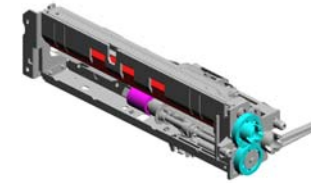
3.04513006N  
(x11)  
TAPPING SCREW -  
3X6

30.AF031090  
PAPER FEED ROL-  
LER:FEED

34.AW010146  
PHOTO REFLECTIO  
N SENSOR:PAPER  
FEED

11.11050723  
CLAMPS:WES-050  
7

31.AF032090  
PAPER FEED ROL-  
LER:SEPARATE



72.M0262750  
PAPER FEED UNIT

10.11050511  
HARNES CLAMP -  
LWS-0306ZC

20.AA082143  
(x5)  
BUSHING - 6X10X6

33.AW010107  
PAPER FEED SEN-  
SOR

22.AA100014  
(x2)  
RETAINING RING  
C - SEPARATE

29.AF030090  
PAPER FEED ROL-  
LER:PICKUP

8.08050089  
(x3)  
RETAINING RING -  
M4

26.AB011218  
GEAR - ROLLER C  
LUTCH

24.AB010156  
GEAR:SEPARATE:  
DRIVE

12.52062686  
(x2)  
SNAP RING

25.AB010157  
GEAR:SEPARATE:  
DRIVEN

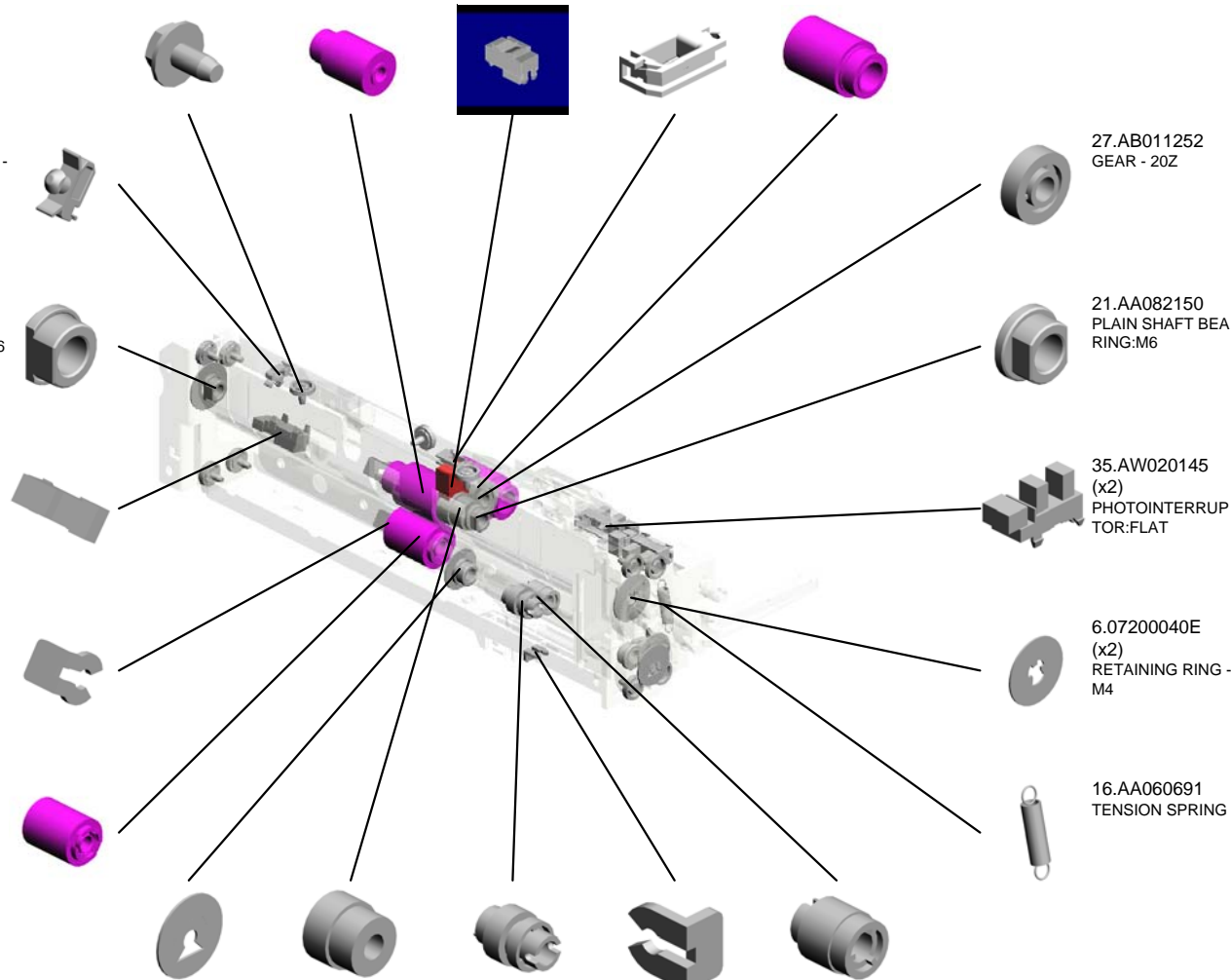
27.AB011252  
GEAR - 20Z

21.AA082150  
PLAIN SHAFT BEA  
RING:M6

35.AW020145  
(x2)  
PHOTOINTERRUP  
TOR:FLAT

6.07200040E  
(x2)  
RETAINING RING -  
M4

16.AA060691  
TENSION SPRING



# U006\_S002 PAPER FEED UNIT

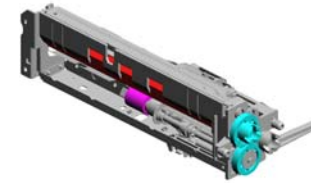
76.M0262766  
ROLLER:VERTICAL  
TRANSPORT:DRIVE

75.M0262765  
GROUND PLATE:FEED

74.M0262763  
SHAFT:FEED

40.B2232767  
PAPER END FEELER

73.M0262761  
ARM:PICKUP



72.M0262750  
PAPER FEED UNIT

80.M0262786  
GROUND PLATE:FRONT

88.M0262828  
TORQUE LIMITER

85.M0262807  
TENSION SPRING:PRESSURE:SEPARATE

82.M0262803  
LEVER:PRESSURE:SEPARATE

41.B2232829  
FEED GUIDE

83.M0262804  
LINK:RELEASE

87.M0262815  
SHAFT:SEPARATE:DRIVE:ASSY

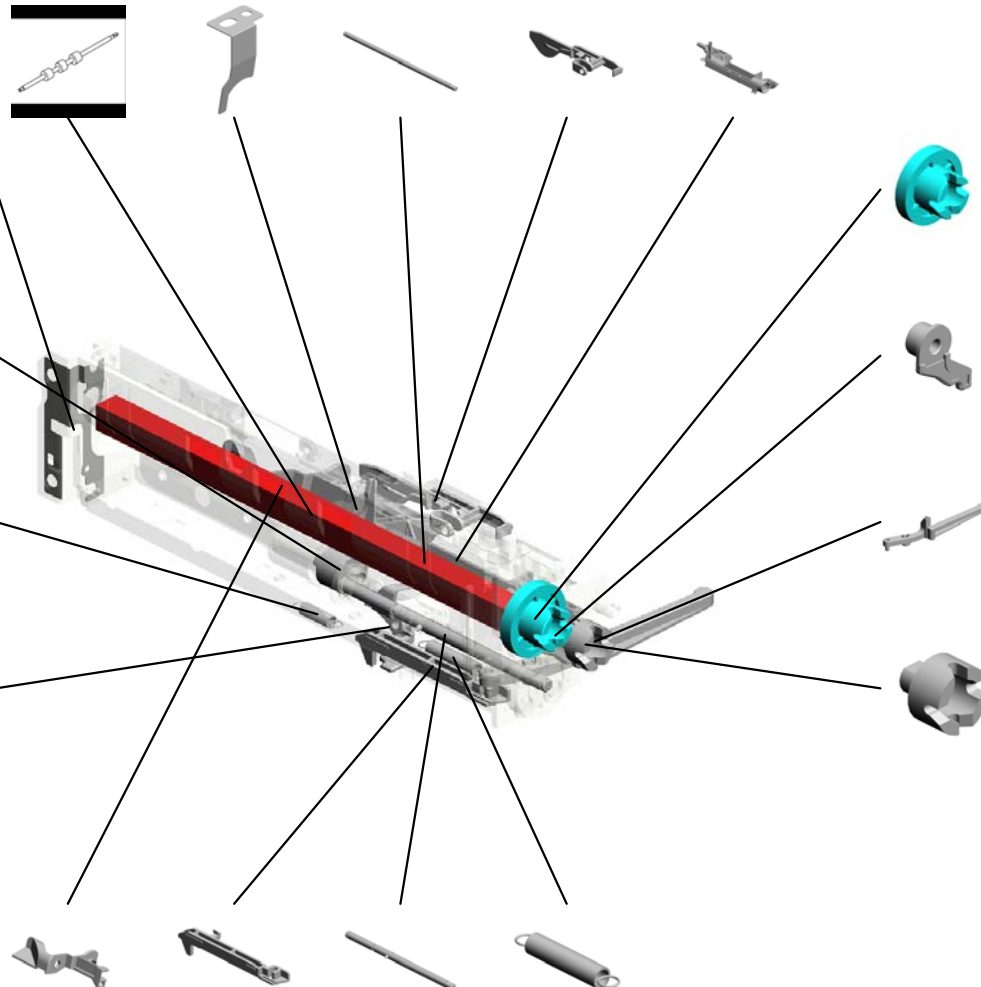
84.M0262806  
TENSION SPRING:RELEASE

77.M0262768  
GEAR:ROLLER:VERTICAL TRANSPORT

49.G0652767  
LEVER - FEED

81.M0262787  
LEVER:PRESSURE RELEASE

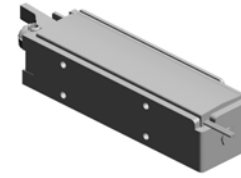
78.M0262769  
JOINT:FEED



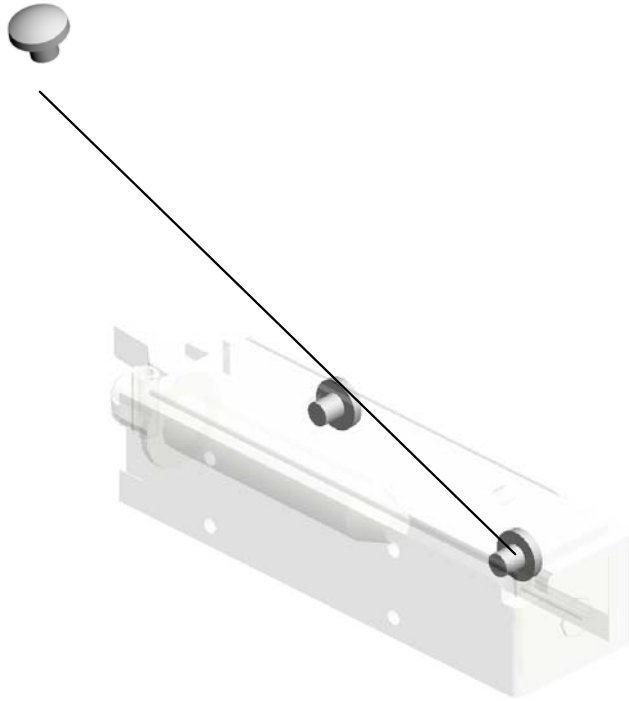
U001	U002	U003	U004	U005	<b>U006</b>	U007	U008	U009	U010	U011	U012	U013	U014	U015	U016	U017
------	------	------	------	------	-------------	------	------	------	------	------	------	------	------	------	------	------

U006\_S002\_S001  
DC SOLENOID:PICKUP:ASS'Y

1.03530030N  
(x2)  
SCREW:M3X3



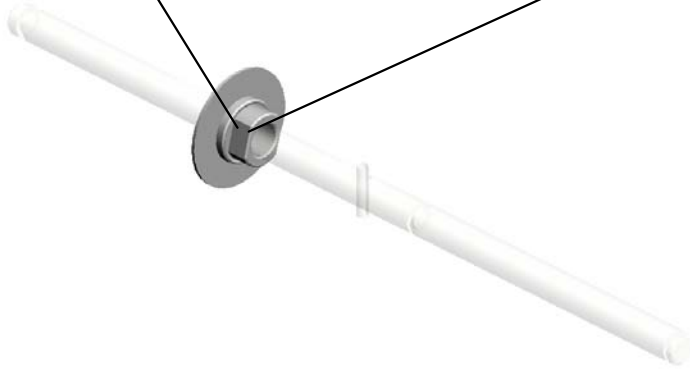
79.M0262780  
DC SOLENOID:PIC  
KUP:ASS'Y



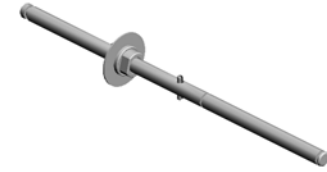
U001	U002	U003	U004	U005	<b>U006</b>	U007	U008	U009	U010	U011	U012	U013	U014	U015	U016	U017
------	------	------	------	------	-------------	------	------	------	------	------	------	------	------	------	------	------

U006\_S002\_S002  
SHAFT:SEPARATE:DRIVEN:ASS'Y

6.07200040E  
RETAINING RING -  
M4



19.AA082101  
BUSHING - 6X10X6



86.M0262810  
SHAFT:SEPARATE:  
DRIVEN:ASS'Y

U001	U002	U003	U004	U005	<b>U006</b>	U007	U008	U009	U010	U011	U012	U013	U014	U015	U016	U017
------	------	------	------	------	-------------	------	------	------	------	------	------	------	------	------	------	------

U006\_S003  
PAPER TRAY:ASS'Y

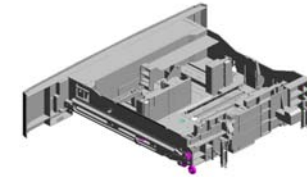
42.B2232861  
GRIP HOLDER

97.M0262882  
TENSION SPRING:  
SIDE FENCE

94.M0262873  
TENSION SPRING:  
GRIP:LEFT

2.04504008N  
TAPPING SCREW -  
M4X8

45.B2232936  
GEAR - 16Z



103.M0262900  
PAPER TRAY:ASS'  
Y

91.M0262860  
GRIP:PAPER TRAY

104.M0262908  
SPACER:TRAY

93.M0262872  
TENSION SPRING:  
GRIP

96.M0262880  
SLIDE RAIL:AUXILI  
ARY:RIGHT:PEEN

108.M0262918  
LEVER:RISE

98.M0262884  
(x4)  
SPACER:SLIDE RA  
IL

107.M0262914  
(x4)  
ROLLER:PAPER T  
RAY

99.M0262885  
ROLLER:SLIDER:R  
EAR:RIGHT

92.M0262865  
SHAFT:RISE:ASS'Y

102.M0262896  
(x2)  
ROLLER:SLIDER:F  
RONT

101.M0262890  
SLIDE RAIL:AUXILI  
ARY:LEFT:PEEN

106.M0262912  
END FENCE

100.M0262886  
ROLLER:SLIDER:R  
EAR:LEFT

105.M0262910  
LINK:PAPER SIZE  
SENSOR

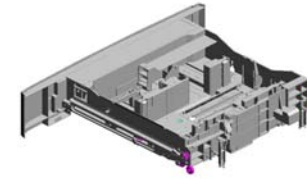
43.B2232869  
GROUND PLATE

U001	U002	U003	U004	U005	U006	U007	U008	U009	U010	U011	U012	U013	U014	U015	U016	U017
------	------	------	------	------	------	------	------	------	------	------	------	------	------	------	------	------

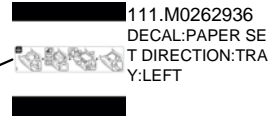
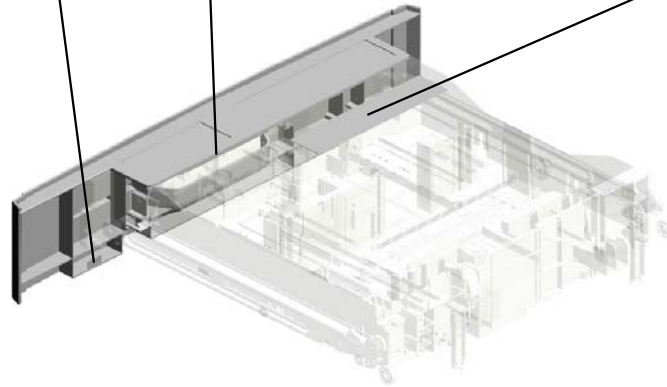
U006\_S003  
PAPER TRAY:ASS'Y

112.M0262938  
DECAL:COVER:PA  
PER TRAY

114.M0262946  
COVER:PAPER TR  
AY



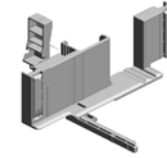
103.M0262900  
PAPER TRAY:ASS'  
Y



U001	U002	U003	U004	U005	<b>U006</b>	U007	U008	U009	U010	U011	U012	U013	U014	U015	U016	U017
------	------	------	------	------	-------------	------	------	------	------	------	------	------	------	------	------	------

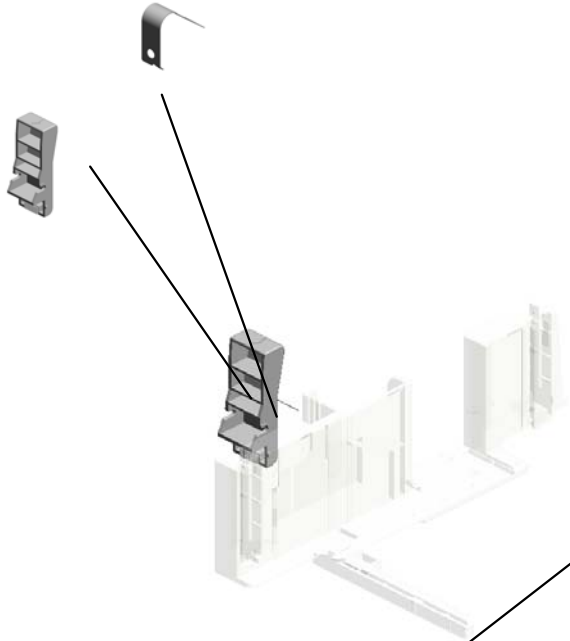
U006\_S003\_S001  
SIDE FENCE:FRONT:ASS'Y

38.B0042923  
SPRING PLATE - R  
RELEASE LEVER

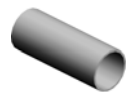
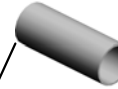


109.M0262920  
SIDE FENCE:FRON  
T:ASS'Y

44.B2232923  
STOPPER LEVER -  
FRONT



48.D0392823  
COMPRESSION SP  
RING:SIDE FENCE:  
PLATE:FRONT



95.M0262874  
COMPRESSION SP  
RING:SIDE FENCE:  
PLATE:REAR

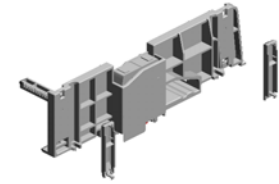
U001	U002	U003	U004	U005	<b>U006</b>	U007	U008	U009	U010	U011	U012	U013	U014	U015	U016	U017
------	------	------	------	------	-------------	------	------	------	------	------	------	------	------	------	------	------



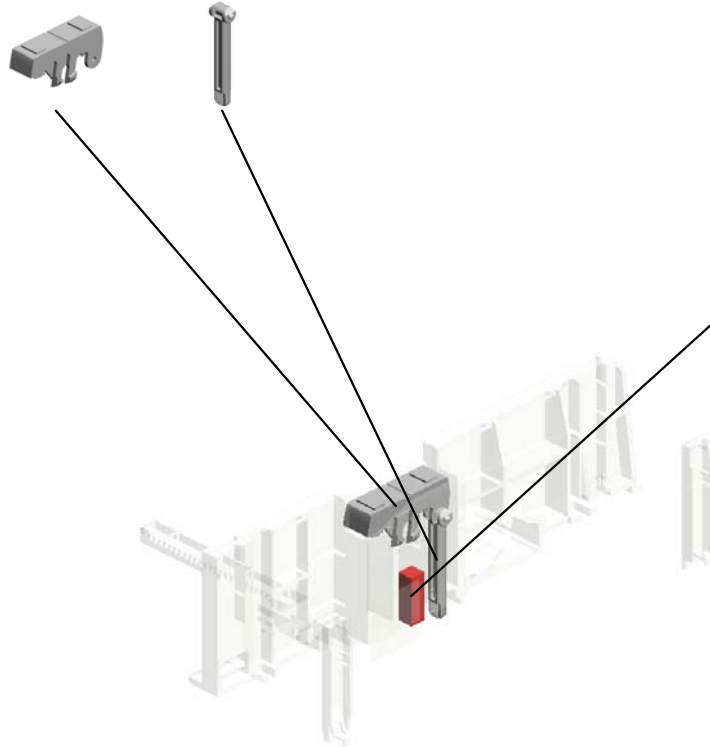
U006\_S003\_S002  
SIDE FENCE:REAR:ASS'Y

15.A2672860  
REAR LEVER STO  
PPER

14.A2672859  
SIDE FENCE STOP  
PER



110.M0262930  
SIDE FENCE:REAR  
:ASS'Y

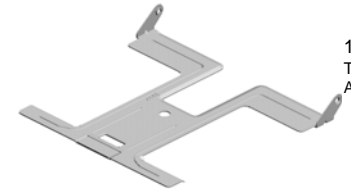


13.A2672857  
SPRING PLATE - SI  
DE FENCE

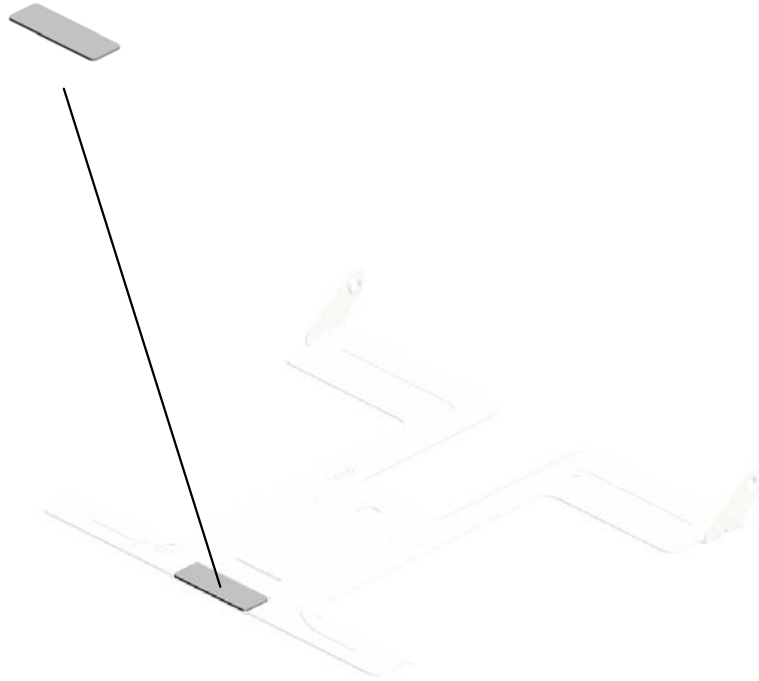
U001	U002	U003	U004	U005	<b>U006</b>	U007	U008	U009	U010	U011	U012	U013	U014	U015	U016	U017
------	------	------	------	------	-------------	------	------	------	------	------	------	------	------	------	------	------

U006\_S003\_S003  
TRAY BOTTOM PLATE:ASS'Y

28.AF013006  
BOTTOM PLATE P  
AD



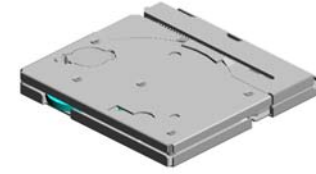
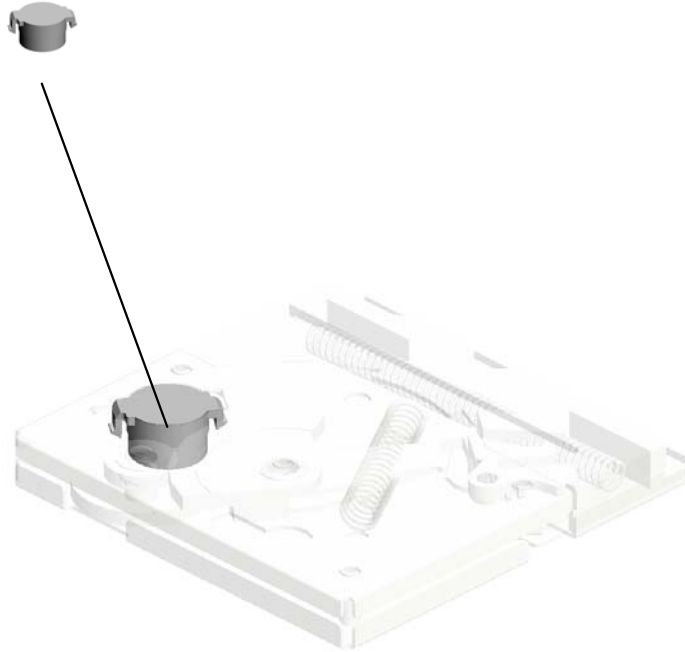
113.M0262940  
TRAY BOTTOM PL  
ATE:ASS'Y



U001	U002	U003	U004	U005	<b>U006</b>	U007	U008	U009	U010	U011	U012	U013	U014	U015	U016	U017
------	------	------	------	------	-------------	------	------	------	------	------	------	------	------	------	------	------

U006\_S004  
LEVER:STRETCH:TRAY

117.M0262982  
OIL DAMPER:30MN



118.M0262985  
LEVER:STRETCH:T  
RAY

U001	U002	U003	U004	U005	<b>U006</b>	U007	U008	U009	U010	U011	U012	U013	U014	U015	U016	U017
------	------	------	------	------	-------------	------	------	------	------	------	------	------	------	------	------	------

# U007.TONER SUPPLY

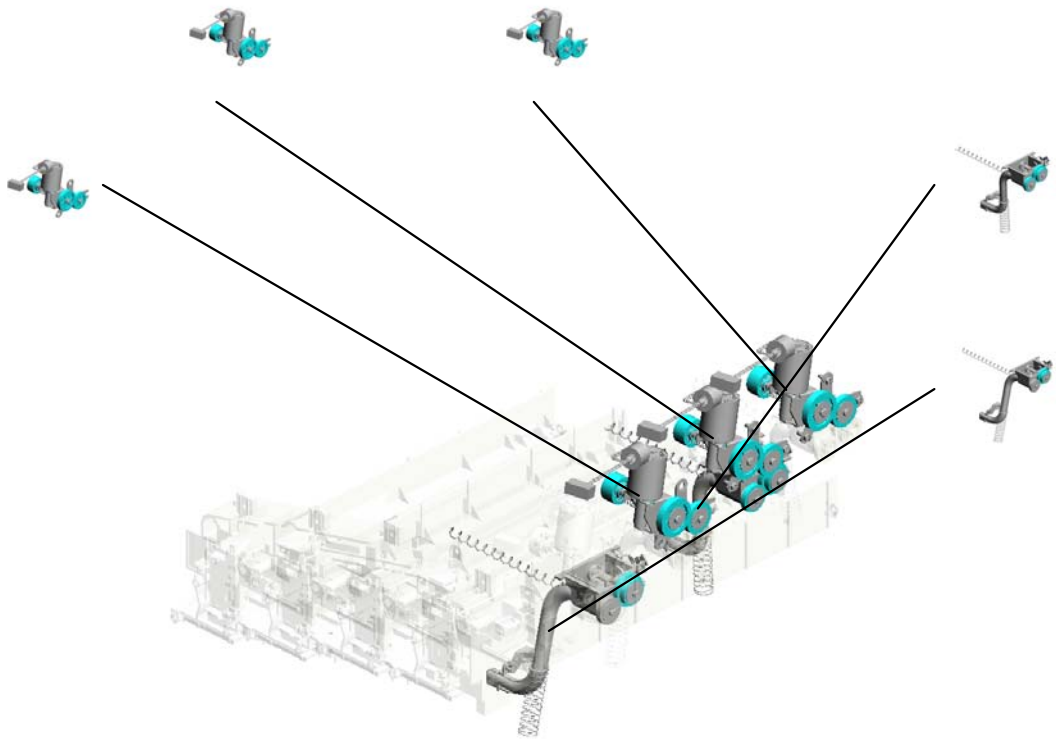
U007\_S004  
M0263208  
DC MOTOR:LINE:ASS'Y:0.53  
W

U007\_S005  
M0263208  
DC MOTOR:LINE:ASS'Y:0.53  
W

U007\_S002  
M0263208  
DC MOTOR:LINE:ASS'Y:0.53  
W

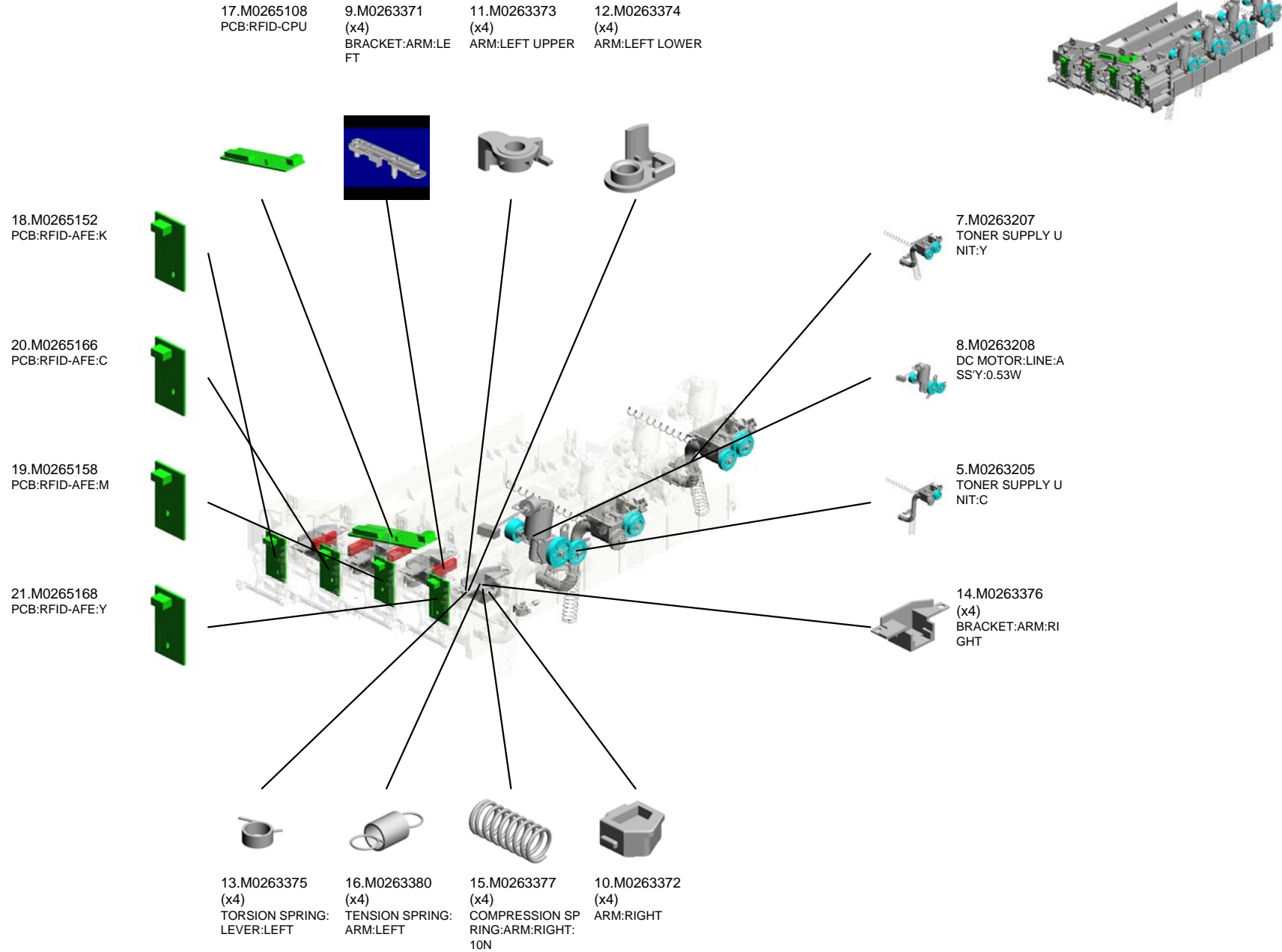
U007\_S003  
M0263206  
TONER SUPPLY UNIT:M

U007\_S001  
M0263204  
TONER SUPPLY UNIT:BK



U001	U002	U003	U004	U005	U006	<b>U007</b>	U008	U009	U010	U011	U012	U013	U014	U015	U016	U017
------	------	------	------	------	------	-------------	------	------	------	------	------	------	------	------	------	------

# U007 TONER SUPPLY



U001	U002	U003	U004	U005	U006	U007	U008	U009	U010	U011	U012	U013	U014	U015	U016	U017
------	------	------	------	------	------	------	------	------	------	------	------	------	------	------	------	------

U007\_S001  
TONER SUPPLY UNIT: BK

2.07200030E  
(x3)  
RETAINING RING -  
M3

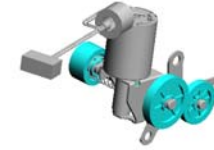


4.M0263204  
TONER SUPPLY U  
NIT: BK

U001	U002	U003	U004	U005	U006	U007	U008	U009	U010	U011	U012	U013	U014	U015	U016	U017
------	------	------	------	------	------	------	------	------	------	------	------	------	------	------	------	------

U007\_S002  
DC MOTOR:LINE:ASS'Y:0.53W

1.03530030N  
(x2)  
SCREW:M3X3



8.M0263208  
DC MOTOR:LINE:A  
SS'Y:0.53W



2.07200030E  
(x3)  
RETAINING RING -  
M3



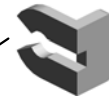
U001	U002	U003	U004	U005	U006	U007	U008	U009	U010	U011	U012	U013	U014	U015	U016	U017
------	------	------	------	------	------	------	------	------	------	------	------	------	------	------	------	------

U007\_S003  
TONER SUPPLY UNIT:M

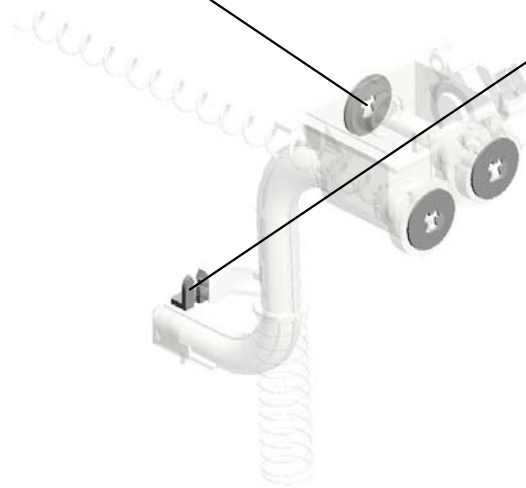
2.07200030E  
(x3)  
RETAINING RING -  
M3



6.M0263206  
TONER SUPPLY U  
NIT:M



3.52062686  
SNAP RING

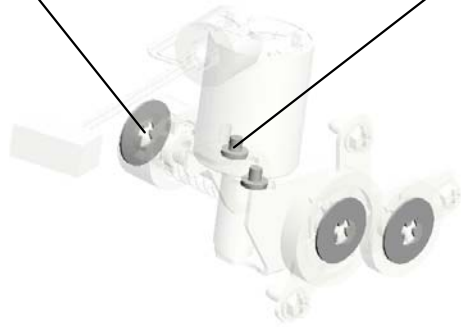


U001	U002	U003	U004	U005	U006	U007	U008	U009	U010	U011	U012	U013	U014	U015	U016	U017
------	------	------	------	------	------	------	------	------	------	------	------	------	------	------	------	------



U007\_S004  
DC MOTOR:LINE:ASS'Y:0.53W

2.07200030E  
(x3)  
RETAINING RING -  
M3



1.03530030N  
(x2)  
SCREW:M3X3

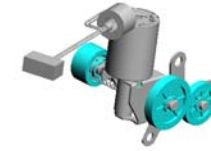


8.M0263208  
DC MOTOR:LINE:A  
SS'Y:0.53W

U001	U002	U003	U004	U005	U006	U007	U008	U009	U010	U011	U012	U013	U014	U015	U016	U017
------	------	------	------	------	------	------	------	------	------	------	------	------	------	------	------	------

U007\_S005  
DC MOTOR:LINE:ASS'Y:0.53W

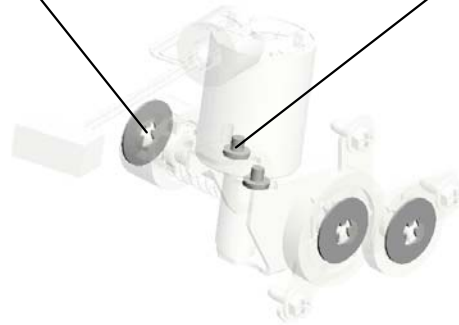
2.07200030E  
(x3)  
RETAINING RING -  
M3



8.M0263208  
DC MOTOR:LINE:A  
SS'Y:0.53W



1.03530030N  
(x2)  
SCREW:M3X3



U001	U002	U003	U004	U005	U006	U007	U008	U009	U010	U011	U012	U013	U014	U015	U016	U017
------	------	------	------	------	------	------	------	------	------	------	------	------	------	------	------	------

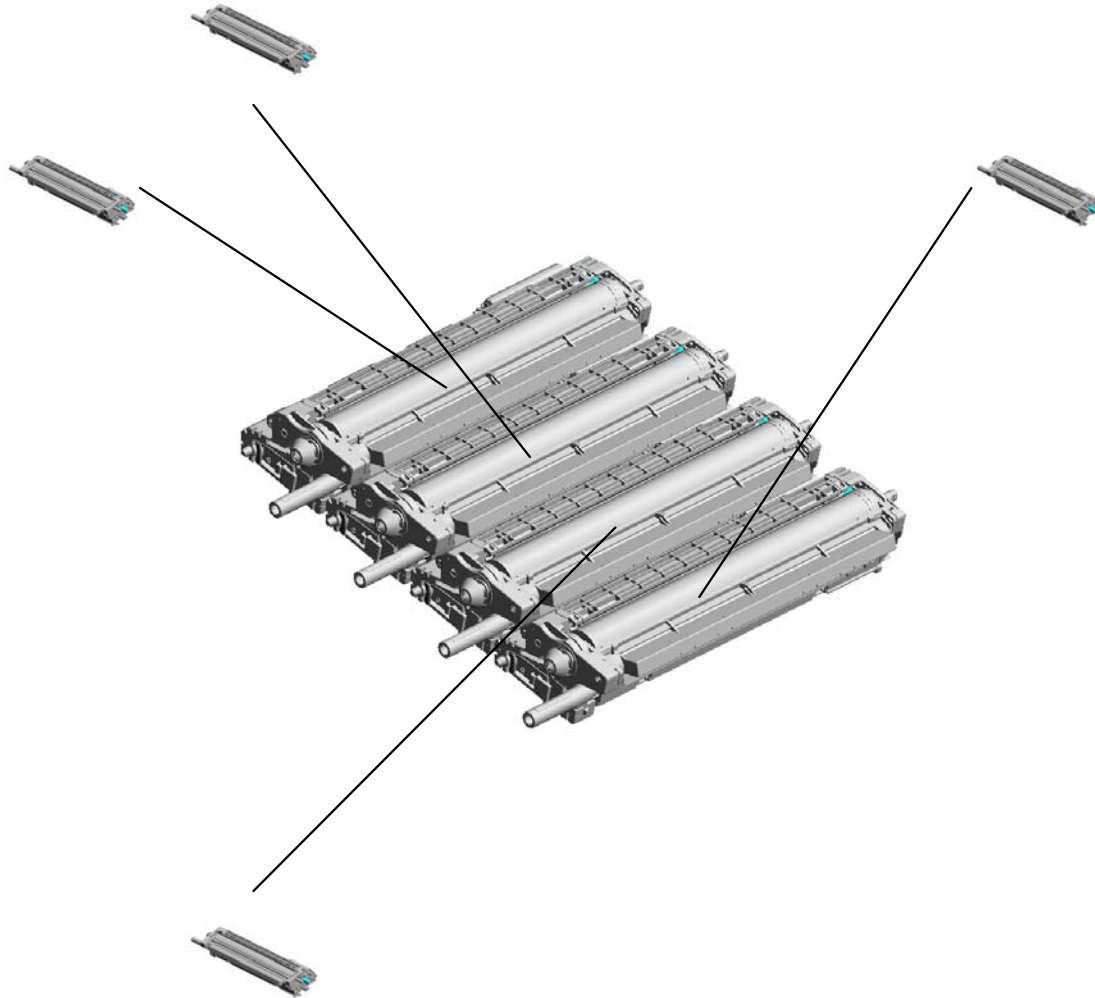
# U008.PCU

U008\_S003  
M0262012  
PCDU:M

U008\_S004  
M0262013  
PCDU:Y

U008\_S001  
M0262010  
PCDU:BK

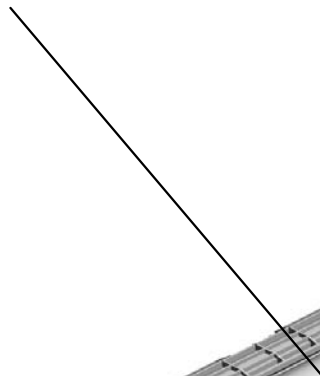
U008\_S002  
M0262011  
PCDU:C



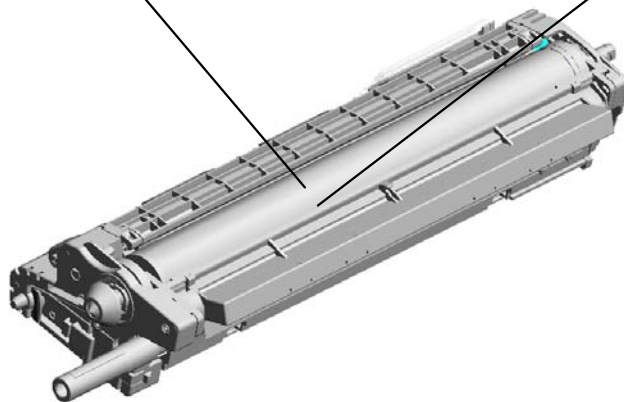
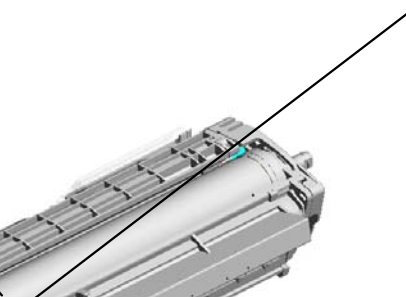
U001	U002	U003	U004	U005	U006	U007	<b>U008</b>	U009	U010	U011	U012	U013	U014	U015	U016	U017
------	------	------	------	------	------	------	-------------	------	------	------	------	------	------	------	------	------

# U008\_S001.PCDU:BK

U008\_S001\_S002  
M0263021  
DEVELOPMENT UNIT:BK



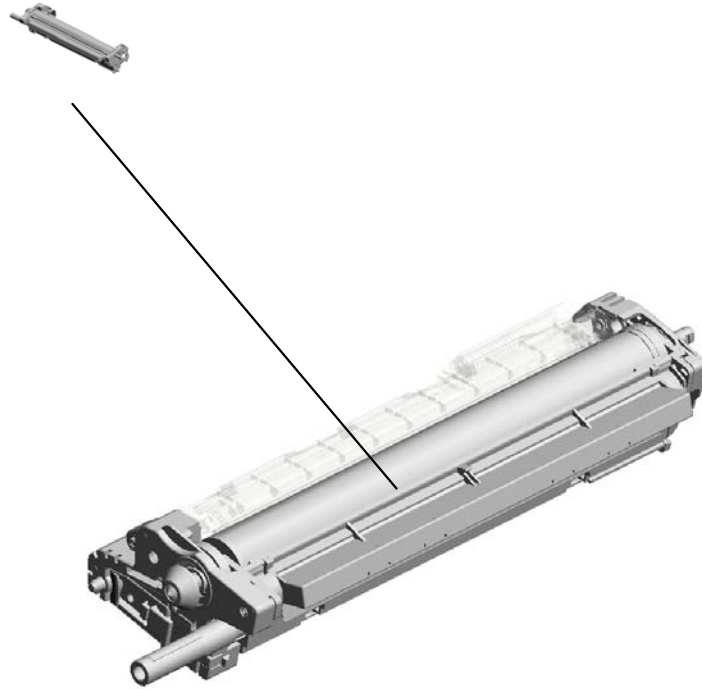
U008\_S001\_S001  
M0262014  
PCU:BK:ASS'Y



U001	U002	U003	U004	U005	U006	U007	<b>U008</b>	U009	U010	U011	U012	U013	U014	U015	U016	U017
------	------	------	------	------	------	------	-------------	------	------	------	------	------	------	------	------	------

# U008\_S002.PCDU:C

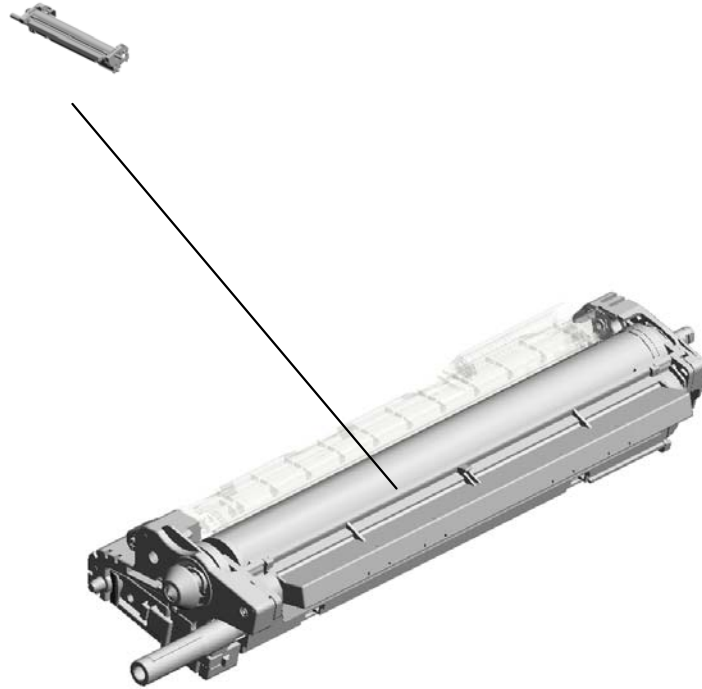
U008\_S002\_S001  
M0262015  
PCU:CMY:ASSY



U001	U002	U003	U004	U005	U006	U007	<b>U008</b>	U009	U010	U011	U012	U013	U014	U015	U016	U017
------	------	------	------	------	------	------	-------------	------	------	------	------	------	------	------	------	------

# U008\_S003.PCDU:M

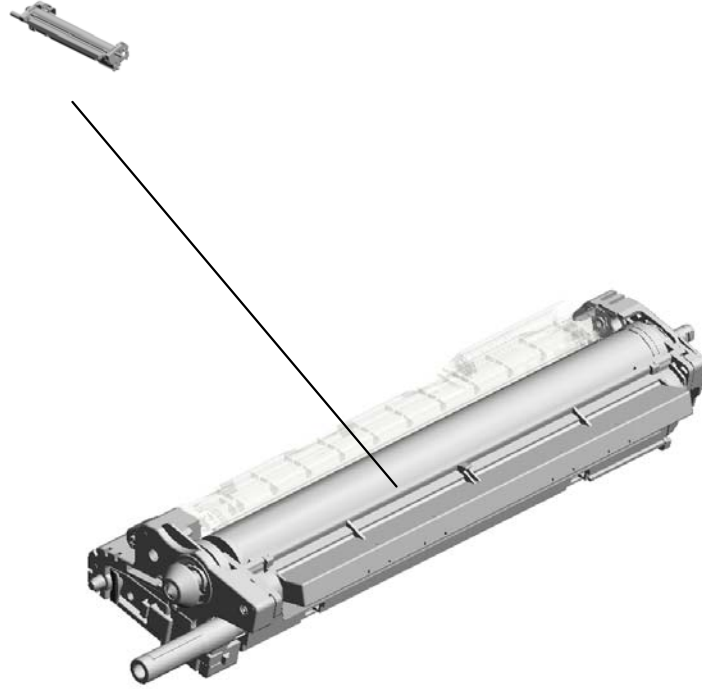
U008\_S003\_S001  
M0262015  
PCU:CMY:ASSY



U001	U002	U003	U004	U005	U006	U007	<b>U008</b>	U009	U010	U011	U012	U013	U014	U015	U016	U017
------	------	------	------	------	------	------	-------------	------	------	------	------	------	------	------	------	------

# U008\_S004.PCDU:Y

U008\_S004\_S001  
M0262015  
PCU:CMY:ASSY



U001	U002	U003	U004	U005	U006	U007	<b>U008</b>	U009	U010	U011	U012	U013	U014	U015	U016	U017
------	------	------	------	------	------	------	-------------	------	------	------	------	------	------	------	------	------

U008  
PCU



U001	U002	U003	U004	U005	U006	U007	U008	U009	U010	U011	U012	U013	U014	U015	U016	U017
------	------	------	------	------	------	------	------	------	------	------	------	------	------	------	------	------

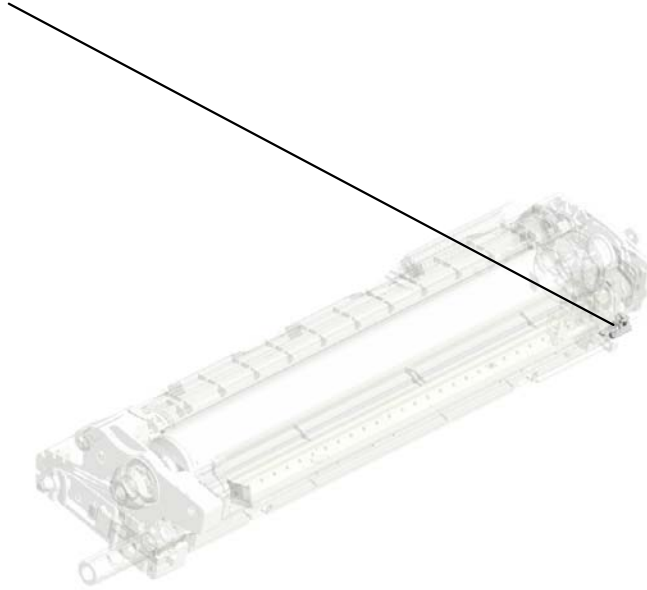


U008\_S001  
PCDU:BK

11.M0262255  
KEY:COLLAR



5.M0262010  
PCDU:BK



U001	U002	U003	U004	U005	U006	U007	<b>U008</b>	U009	U010	U011	U012	U013	U014	U015	U016	U017
------	------	------	------	------	------	------	-------------	------	------	------	------	------	------	------	------	------

U008\_S001\_S001  
PCU:BK:ASS'Y

1.03530060N  
(x2)  
BIND SCREW - M3  
X6



**9.M0262014**  
PCU:BK:ASS'Y



U001	U002	U003	U004	U005	U006	U007	<b>U008</b>	U009	U010	U011	U012	U013	U014	U015	U016	U017
------	------	------	------	------	------	------	-------------	------	------	------	------	------	------	------	------	------

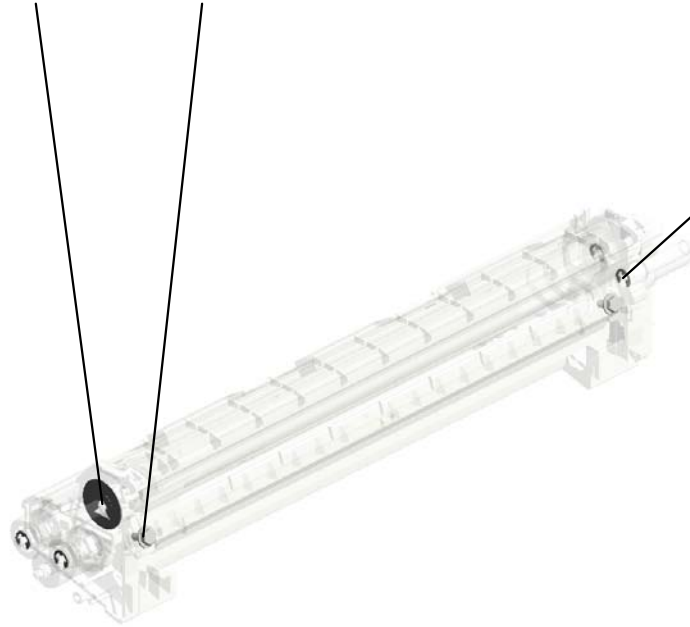
U008\_S001\_S002  
DEVELOPMENT UNIT: BK

4.08050089  
RETAINING RING -  
M4

2.03603006N  
(x2)  
SCREW - M3X6



12.M0263021  
DEVELOPMENT UN  
IT: BK



3.07200030E  
(x4)  
RETAINING RING -  
M3

U001	U002	U003	U004	U005	U006	U007	U008	U009	U010	U011	U012	U013	U014	U015	U016	U017
------	------	------	------	------	------	------	------	------	------	------	------	------	------	------	------	------

U008\_S002  
PCDU:C

2.03603006N  
(x2)  
SCREW - M3X6



6.M0262011  
PCDU:C

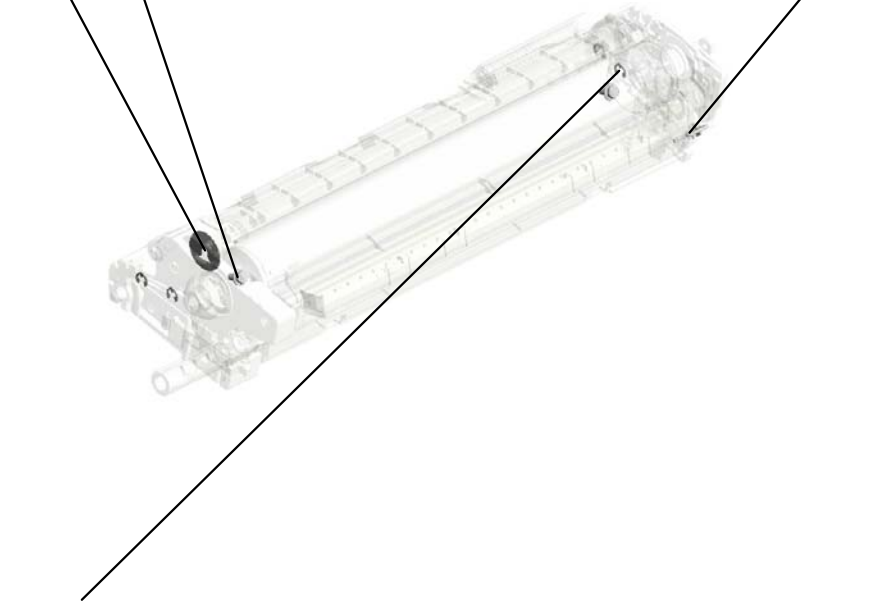
4.08050089  
RETAINING RING -  
M4



11.M0262255  
KEY:COLLAR



3.07200030E  
(x4)  
RETAINING RING -  
M3



U001	U002	U003	U004	U005	U006	U007	<b>U008</b>	U009	U010	U011	U012	U013	U014	U015	U016	U017
------	------	------	------	------	------	------	-------------	------	------	------	------	------	------	------	------	------

U008\_S002\_S001  
PCU:CMY:ASS'Y

1.03530060N  
(x2)  
BIND SCREW - M3  
X6



10.M0262015  
PCU:CMY:ASS'Y



U001	U002	U003	U004	U005	U006	U007	<b>U008</b>	U009	U010	U011	U012	U013	U014	U015	U016	U017
------	------	------	------	------	------	------	-------------	------	------	------	------	------	------	------	------	------

U008\_S003  
PCDU:M

2.03603006N  
(x2)  
SCREW - M3X6



7.M0262012  
PCDU:M

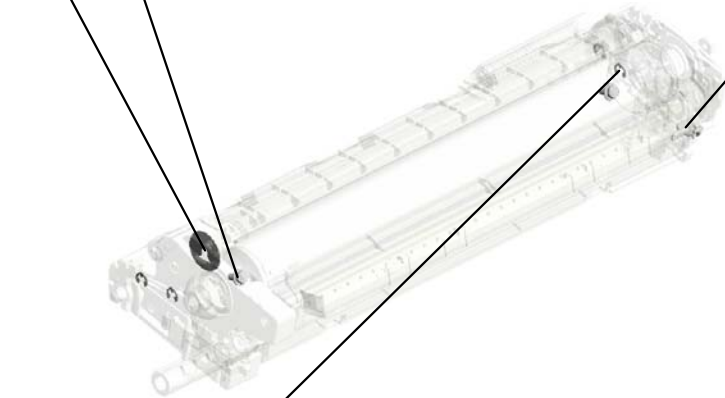
4.08050089  
RETAINING RING -  
M4



11.M0262255  
KEY:COLLAR



3.07200030E  
(x4)  
RETAINING RING -  
M3



U001	U002	U003	U004	U005	U006	U007	<b>U008</b>	U009	U010	U011	U012	U013	U014	U015	U016	U017
------	------	------	------	------	------	------	-------------	------	------	------	------	------	------	------	------	------

U008\_S003\_S001  
PCU:CMY:ASS'Y

1.03530060N  
(x2)  
BIND SCREW - M3  
X6



10.M0262015  
PCU:CMY:ASS'Y



U001	U002	U003	U004	U005	U006	U007	<b>U008</b>	U009	U010	U011	U012	U013	U014	U015	U016	U017
------	------	------	------	------	------	------	-------------	------	------	------	------	------	------	------	------	------

U008\_S004  
PCDU:Y

2.03603006N  
(x2)  
SCREW - M3X6



8.M0262013  
PCDU:Y

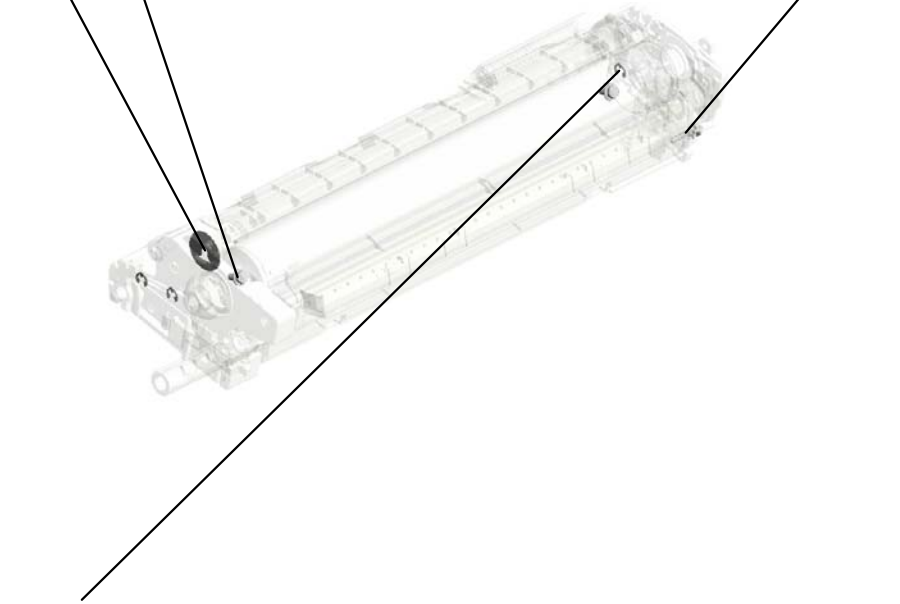
4.08050089  
RETAINING RING -  
M4



11.M0262255  
KEY:COLLAR



3.07200030E  
(x3)  
RETAINING RING -  
M3



U001	U002	U003	U004	U005	U006	U007	<b>U008</b>	U009	U010	U011	U012	U013	U014	U015	U016	U017
------	------	------	------	------	------	------	-------------	------	------	------	------	------	------	------	------	------



U008\_S004\_S001  
PCU:CMY:ASS'Y

1.03530060N  
(x2)  
BIND SCREW - M3  
X6



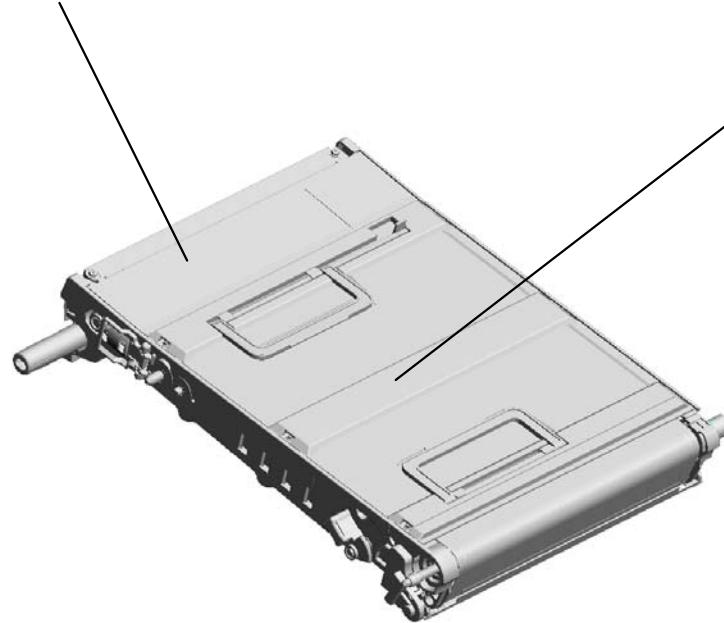
10.M0262015  
PCU:CMY:ASS'Y



U001	U002	U003	U004	U005	U006	U007	<b>U008</b>	U009	U010	U011	U012	U013	U014	U015	U016	U017
------	------	------	------	------	------	------	-------------	------	------	------	------	------	------	------	------	------

# U009.ITB CLEANING

U009\_S001  
M0263800  
CLEANING UNIT:ITB



U009\_S002  
M0266000  
TRANSFER UNIT



U001	U002	U003	U004	U005	U006	U007	U008	U009	U010	U011	U012	U013	U014	U015	U016	U017
------	------	------	------	------	------	------	------	------	------	------	------	------	------	------	------	------

U009  
ITB CLEANING



U001	U002	U003	U004	U005	U006	U007	U008	U009	U010	U011	U012	U013	U014	U015	U016	U017
------	------	------	------	------	------	------	------	------	------	------	------	------	------	------	------	------

U009\_S001  
CLEANING UNIT:ITB

1.AA082101  
BUSHING - 6X10X6

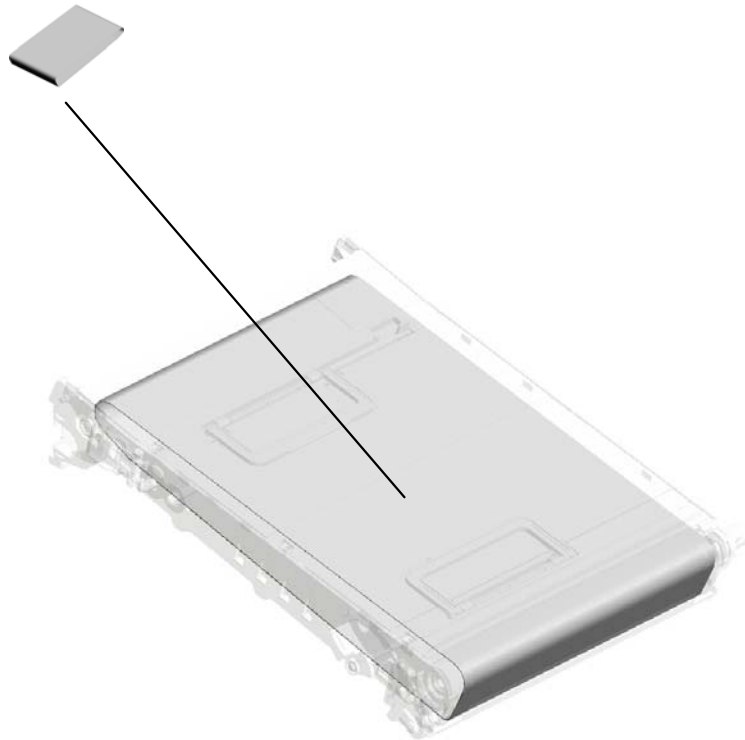


2.M0263800  
CLEANING UNIT:IT  
B

U001	U002	U003	U004	U005	U006	U007	U008	U009	U010	U011	U012	U013	U014	U015	U016	U017
------	------	------	------	------	------	------	------	------	------	------	------	------	------	------	------	------

U009\_S002  
TRANSFER UNIT

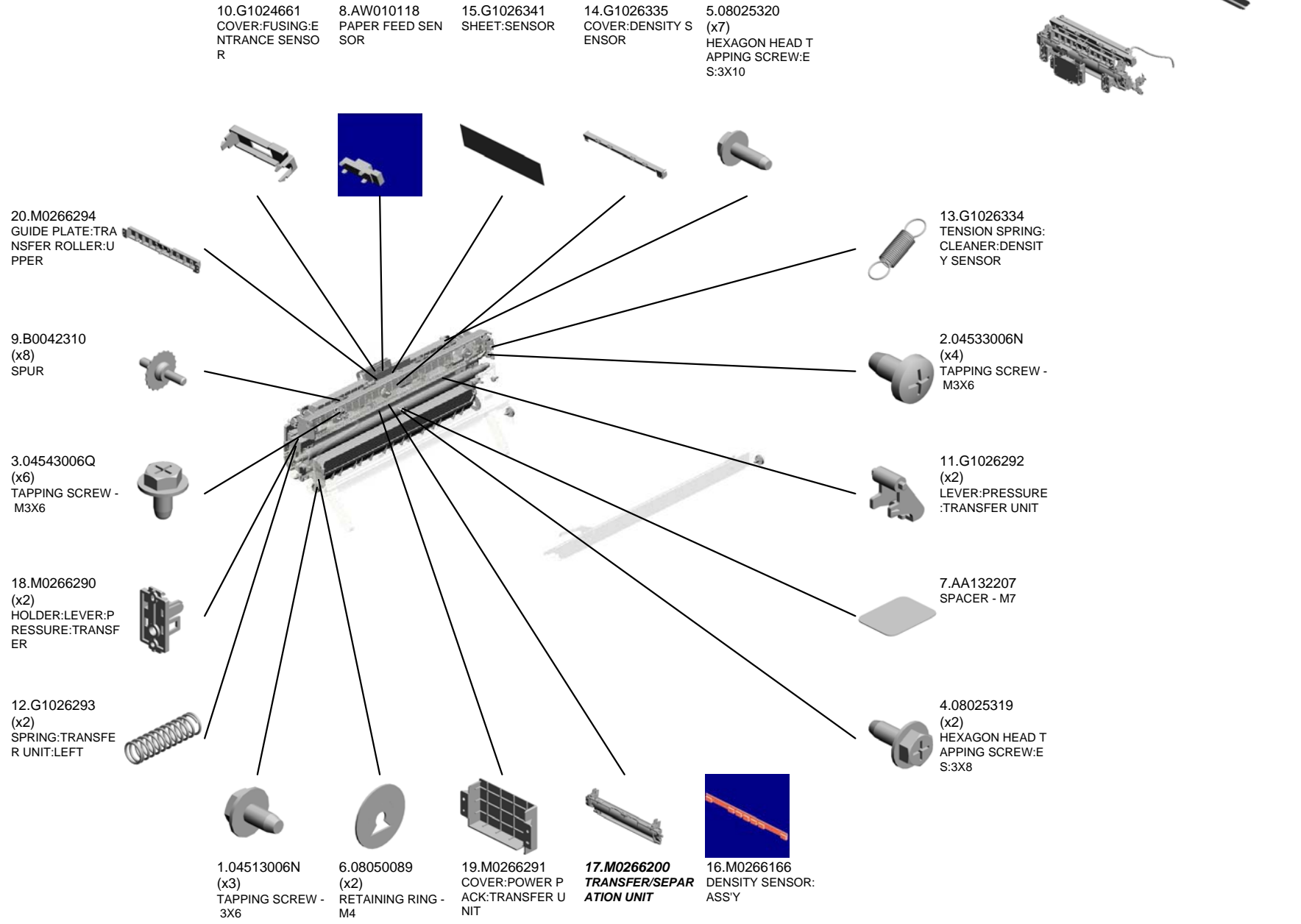
4.M0266124  
FLAT BELT-TRANS  
FER:ASS'Y



3.M0266000  
TRANSFER UNIT

U001	U002	U003	U004	U005	U006	U007	U008	U009	U010	U011	U012	U013	U014	U015	U016	U017
------	------	------	------	------	------	------	------	------	------	------	------	------	------	------	------	------

# U010 IMAGE TRANSFER



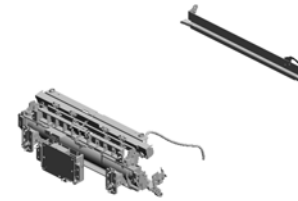
U001	U002	U003	U004	U005	U006	U007	U008	U009	<b>U010</b>	U011	U012	U013	U014	U015	U016	U017
------	------	------	------	------	------	------	------	------	-------------	------	------	------	------	------	------	------

# U010 IMAGE TRANSFER

32.M0266365  
DECAL:WARNING (HIGH VOLTAGE)

25.M0266329  
SHUTTER:DENSITY SENSOR

21.M0266295  
SPRING PLATE:DISCHARGE



26.M0266332  
INSULATING SHEET:DENSITY SENSOR

30.M0266355  
GUIDE:POSITIONING:REAR

31.M0266356  
GROUND PLATE:TRANSFER:SECOND

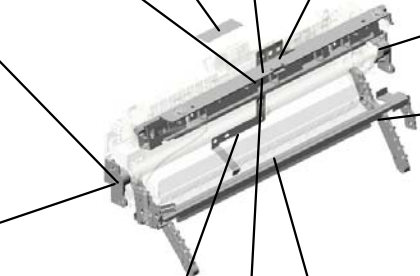


29.M0266354  
GUIDE:POSITIONING:FRONT



23.M0266301 (x2)  
LEVER:ON-OFF:TRANSFER UNIT

28.M0266351  
RAIL:CLEANING UNIT



22.M0266296  
GROUND PLATE:POWER SOURCE:TRANSFER

27.M0266333  
HOLDER:DENSITY SENSOR

24.M0266302  
RAIL:MAIN:ASSY



# U011.USED TONER

U011\_S001  
M0226400  
WASTE TONER BOTTLE



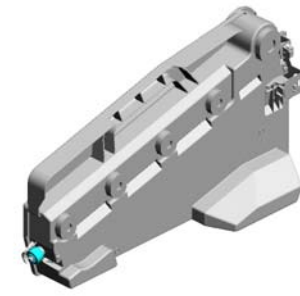
U001	U002	U003	U004	U005	U006	U007	U008	U009	U010	U011	U012	U013	U014	U015	U016	U017
------	------	------	------	------	------	------	------	------	------	------	------	------	------	------	------	------



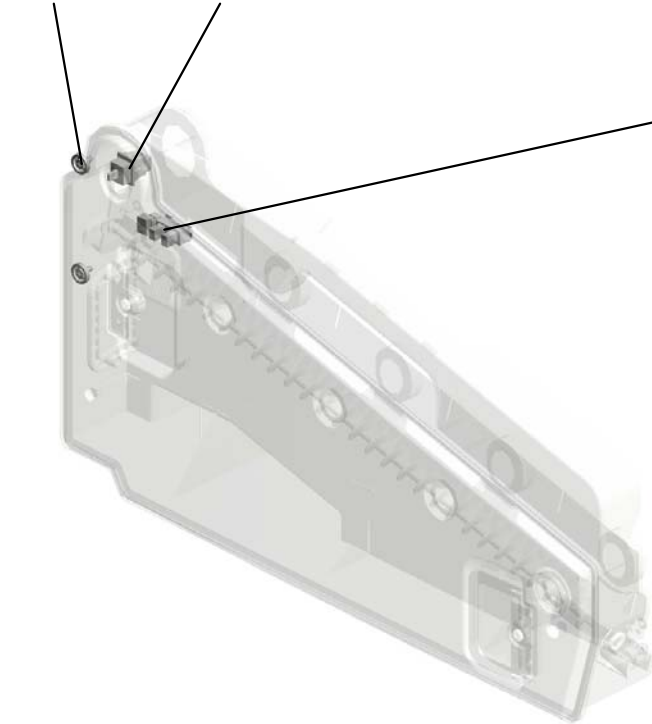
# U011 USED TONER

1.04513006N  
(x2)  
TAPPING SCREW -  
3X6

4.AW500023  
PUSH SWITCH



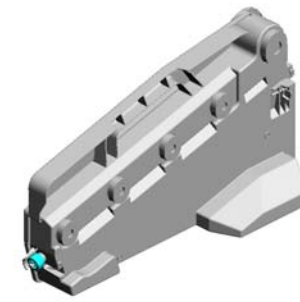
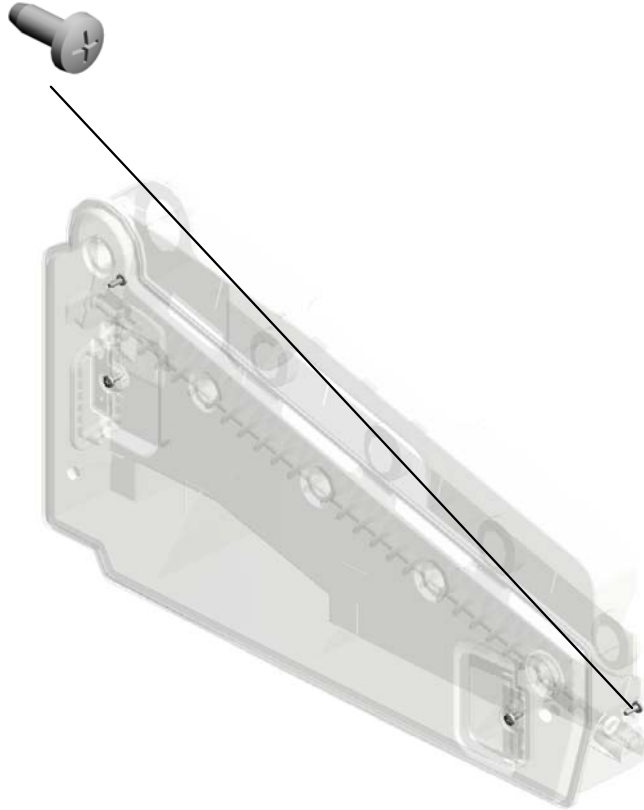
3.AW020145  
PHOTOINTERRUP  
TOR:FLAT



U001	U002	U003	U004	U005	U006	U007	U008	U009	U010	U011	U012	U013	U014	U015	U016	U017
------	------	------	------	------	------	------	------	------	------	------	------	------	------	------	------	------

U011\_S001  
WASTE TONER BOTTLE

2.08025317  
(x4)  
BINDING HEAD TA  
PPING SCREWS:  
3X8

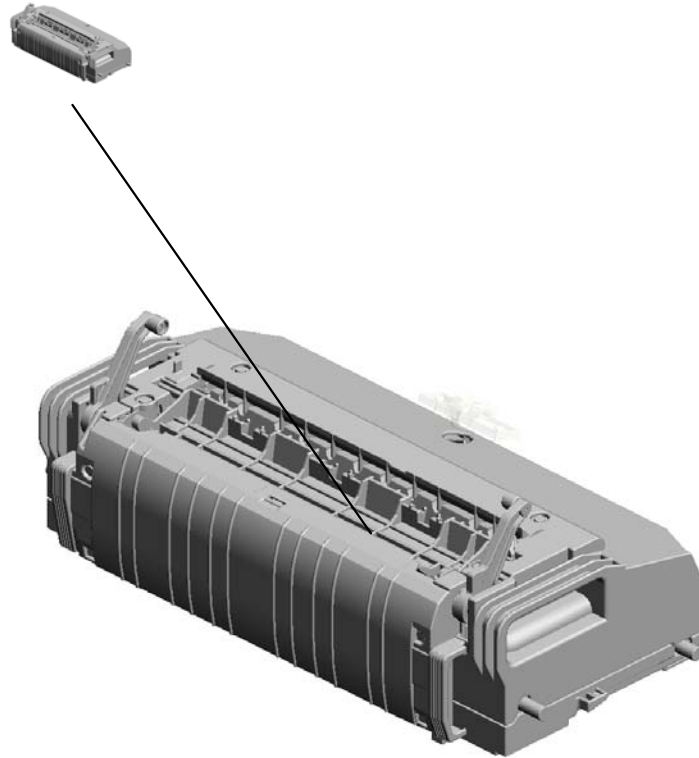


5.M0226400  
WASTE TONER BO  
TTLE

U001	U002	U003	U004	U005	U006	U007	U008	U009	U010	U011	U012	U013	U014	U015	U016	U017
------	------	------	------	------	------	------	------	------	------	------	------	------	------	------	------	------

# U012.FUSING

U012\_S001  
M0264011  
FUSING UNIT:NA:SERVICE



U001	U002	U003	U004	U005	U006	U007	U008	U009	U010	U011	U012	U013	U014	U015	U016	U017
------	------	------	------	------	------	------	------	------	------	------	------	------	------	------	------	------

# U012\_S001.FUSING UNIT:NA:SERVICE

U012\_S001\_S001  
M0264295  
FUSING COVER:RIGHT:ASS'  
Y

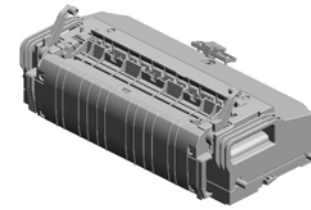


U001	U002	U003	U004	U005	U006	U007	U008	U009	U010	U011	U012	U013	U014	U015	U016	U017
------	------	------	------	------	------	------	------	------	------	------	------	------	------	------	------	------

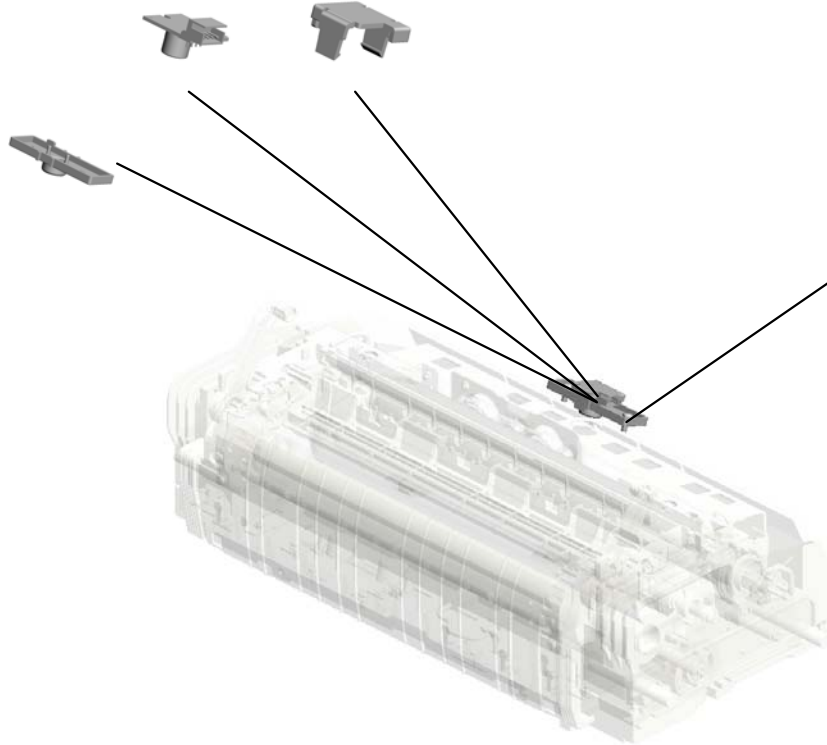
# U012 FUSING

37.AW100106  
THERMOPILE

45.B2384366  
LENS COVER



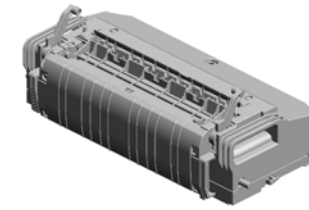
44.B2384365  
LENS HOLDER



8.08046127  
(x2)  
HEXAGONAL BOLT  
:DOUBLE SCREW:  
M3X8

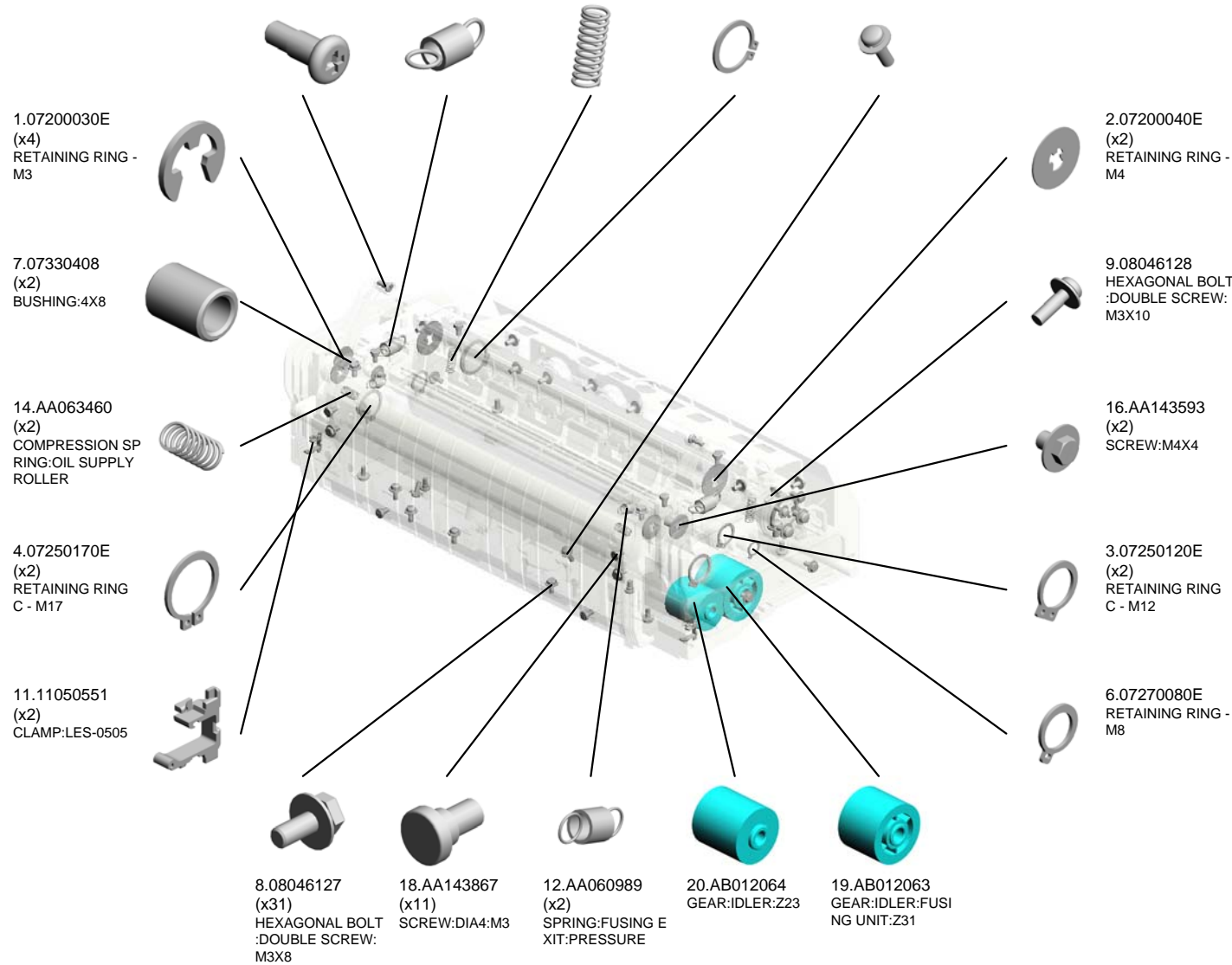
U001	U002	U003	U004	U005	U006	U007	U008	U009	U010	U011	U012	U013	U014	U015	U016	U017
------	------	------	------	------	------	------	------	------	------	------	------	------	------	------	------	------

U012\_S001  
FUSING UNIT:NA:SERVICE



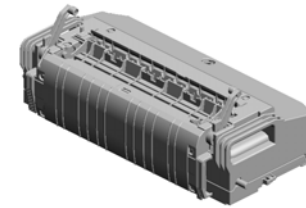
47.M0264011  
FUSING UNIT:NA:SERVICE

- 17.AA143792 (x2) SCREW:DRAWER
- 13.AA061035 (x2) COIL SPRING:PRE SSURE:55N
- 15.AA063461 (x2) COMPRESSION SPRING:BELT TENSIONER
- 5.07250200E (x2) RETAINING RING C - M20
- 10.09543010N SCREW:POLISHED ROUND/SPRING:M 3X10



U001	U002	U003	U004	U005	U006	U007	U008	U009	U010	U011	U012	U013	U014	U015	U016	U017
------	------	------	------	------	------	------	------	------	------	------	------	------	------	------	------	------

U012\_S001  
FUSING UNIT:NA:SERVICE



47.M0264011  
FUSING UNIT:NA:SERVICE

27.AE030069  
(x2)  
BALL BEARING:DIA  
12XDIA21X7

29.AE031045  
(x2)  
BUSHING - BELT T  
ENSION ROLLER

25.AE020179  
PRESSURE ROLLE  
R

39.AW110090  
THERMOSTAT:WE  
LDING

34.AE040075  
ROLLER:BELT TEN  
SIONER

28.AE030074  
(x2)  
BALL BEARING:DIA  
17XDIA26X5

30.AE031061  
FRONT BUSHING -  
OIL SUPPLY ROLL  
ER

33.AE040074  
OIL SUPPLY ROLL  
ER:DIA18

35.AE042087  
CLEANING ROLLE  
R:OIL SUPPLY RO  
LLER

40.AW110093  
THERMOSTAT:WE  
LDING

38.AW100129  
THERMISTOR:PRE  
SSURE

23.AE010076  
HOT ROLLER

31.AE031062  
REAR BUSHING -  
OIL SUPPLY ROLL  
ER

24.AE012037  
HEAT ROLLER

21.AB012065  
GEAR:PRESSURE  
ROLLER:Z27

41.AX440311  
HEATER:120V:550  
W/450W

36.AW100105  
THERMISTOR:FUSI  
NG

26.AE030066  
(x2)  
BALL BEARING:MM  
25XMM32X7

32.AE032030  
(x2)  
BUSHING - 20X25

22.AB012066  
GEAR:HOT ROLLE  
R:MECHANICAL R  
OLLER CLUTCH:Z2  
5

U001	U002	U003	U004	U005	U006	U007	U008	U009	U010	U011	U012	U013	U014	U015	U016	U017
------	------	------	------	------	------	------	------	------	------	------	------	------	------	------	------	------

U012\_S001  
FUSING UNIT:NA:SERVICE

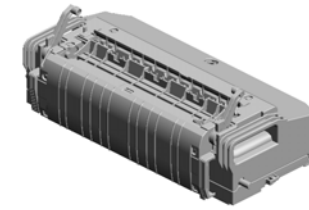
46.G1024203  
(x2)  
ROLLER:LEVER:PRESSURE

48.M0264041  
(x2)  
TORSION SPRING:STRIPPER PLATE

57.M0264245  
BRACKET:HEATER:FUSING:FRONT

64.M0264291  
GUIDE PLATE:FUSING:EXIT:ASSY

50.M0264163  
HOUSING:THERMOSTAT



47.M0264011  
FUSING UNIT:NA:SERVICE

54.M0264206  
LEVER:PRESSURE RELEASE:FRONT

43.B2384197  
(x2)  
LEVER:LOCK:PRESSURE

60.M0264253  
BRACKET:HEATER:PRESSURE:FRONT

53.M0264198  
LEVER:PRESSURE:FRONT

51.M0264167  
HOUSING:THERMOSTAT:PRESSURE

42.AX440312  
HEATER:120V:300W

52.M0264172  
(x2)  
ELECTRODE PLATE:THERMOSTAT

62.M0264283  
FUSING ENTRANCE GUIDE PLATE

63.M0264287  
FUSING COVER:LOWER

55.M0264218  
LEVER:PRESSURE:REAR

49.M0264106  
FUSING BELT

61.M0264280  
FUSING COVER:UPPER

56.M0264226  
LEVER:PRESSURE RELEASE:REAR

58.M0264247  
BRACKET:HEATER:FUSING:REAR

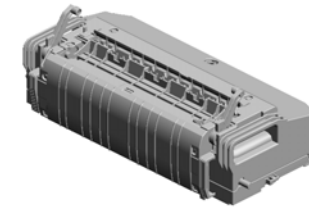
59.M0264252  
BRACKET:HEATER:PRESSURE:REAR

U001	U002	U003	U004	U005	U006	U007	U008	U009	U010	U011	U012	U013	U014	U015	U016	U017
------	------	------	------	------	------	------	------	------	------	------	------	------	------	------	------	------



U012\_S001  
FUSING UNIT:NA:SERVICE

72.M0264338 ELECTRODE PLAT  
E:TERMINAL:PRESSURE  
74.M0264352 ELECTRODE PLAT  
E:THERMOSTAT  
69.M0264312 STRIPPER PLATE:  
COAT



47.M0264011  
FUSING UNIT:NA:SERVICE

77.M0264359  
TERMINAL:PRESSURE



75.M0264354  
BRACKET:TERMINAL:PRESSURE



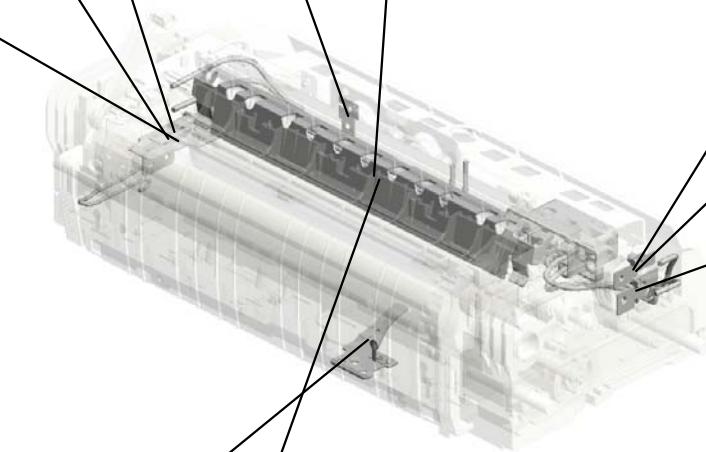
70.M0264336  
ELECTRODE PLAT  
E:REAR:M3



76.M0264357  
TERMINAL:REAR



71.M0264337  
ELECTRODE PLAT  
E:REAR:M4



68.M0264308 BRACKET:THERMI  
STOR:PRESSURE:  
ASSY  
73.M0264349 HARNESS:FUSING  
UNIT:NA



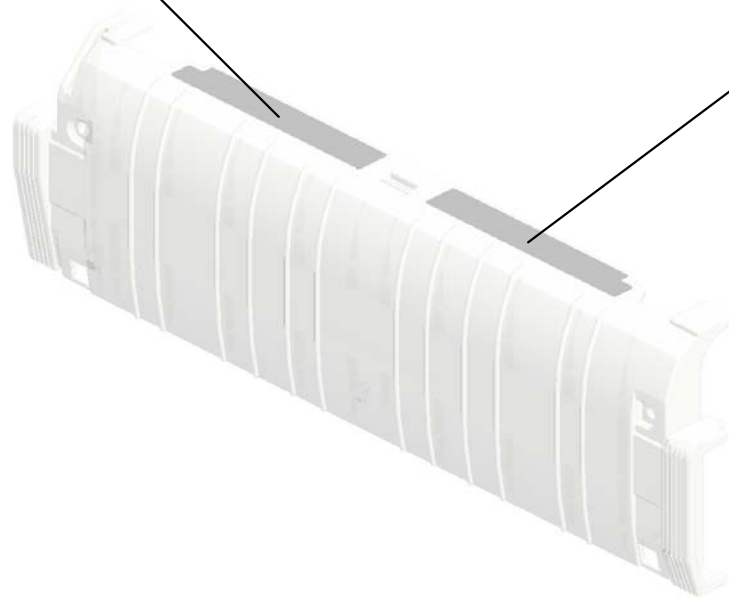
U001	U002	U003	U004	U005	U006	U007	U008	U009	U010	U011	U012	U013	U014	U015	U016	U017
------	------	------	------	------	------	------	------	------	------	------	------	------	------	------	------	------

U012\_S001\_S001  
FUSING COVER:RIGHT:ASS'Y

66.M0264296  
DECAL:H-TEMP W  
ARNING:FUSING:1



65.M0264295  
FUSING COVER:RI  
GHT:ASS'Y

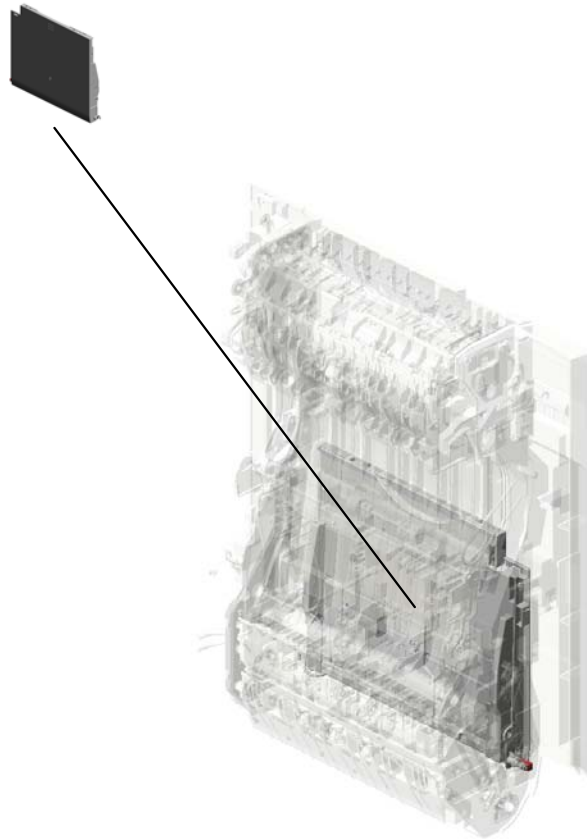


67.M0264299  
DECAL:H-TEMP W  
ARNING:FUSING:2

U001	U002	U003	U004	U005	U006	U007	U008	U009	U010	U011	U012	U013	U014	U015	U016	U017
------	------	------	------	------	------	------	------	------	------	------	------	------	------	------	------	------

# U013.DUPLEX

U013\_S001  
M0262640  
MANUAL FEED TABLE:ASS'Y



U001	U002	U003	U004	U005	U006	U007	U008	U009	U010	U011	U012	U013	U014	U015	U016	U017
------	------	------	------	------	------	------	------	------	------	------	------	------	------	------	------	------

# U013 DUPLEX



- 7.08050089 (x19) RETAINING RING - M4
- 1.03530030N (x2) SCREW:M3X3
- 3.04513006N (x15) TAPPING SCREW - 3X6
- 5.08025320 (x2) HEXAGON HEAD TAPPING SCREW:E S:3X10
- 8.08050092 (x5) RETAINING RING - 3M

16.AA082101 (x9) BUSHING - 6X10X6

10.11050511 (x4) HARNESS CLAMP - LWS-0306ZC

2.04504008N TAPPING SCREW - M4X8

18.AA083014 ONE-WAY CLUTCH

20.AB011416 GEAR - 20Z

14.A2596754 BUSHING - 6 6MM

17.AA082102 (x2) BUSHING - 6X10X6

19.AB011252 GEAR - 20Z

13.54472681 (x2) SNAP RING

6.08046127 (x3) HEXAGONAL BOLT ;DOUBLE SCREW: M3X8

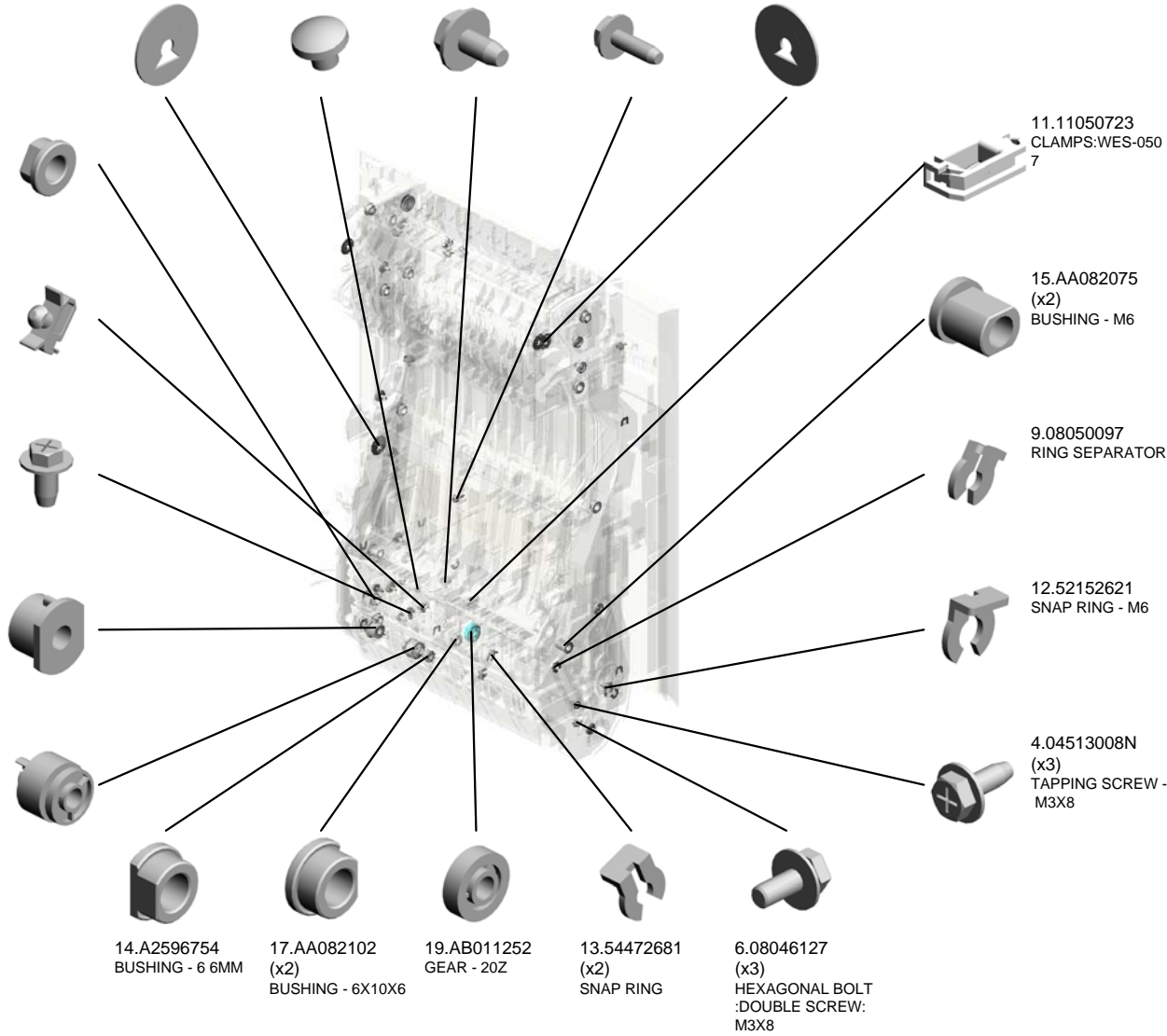
11.11050723 CLAMPS:WES-050 7

15.AA082075 (x2) BUSHING - M6

9.08050097 RING SEPARATOR

12.52152621 SNAP RING - M6

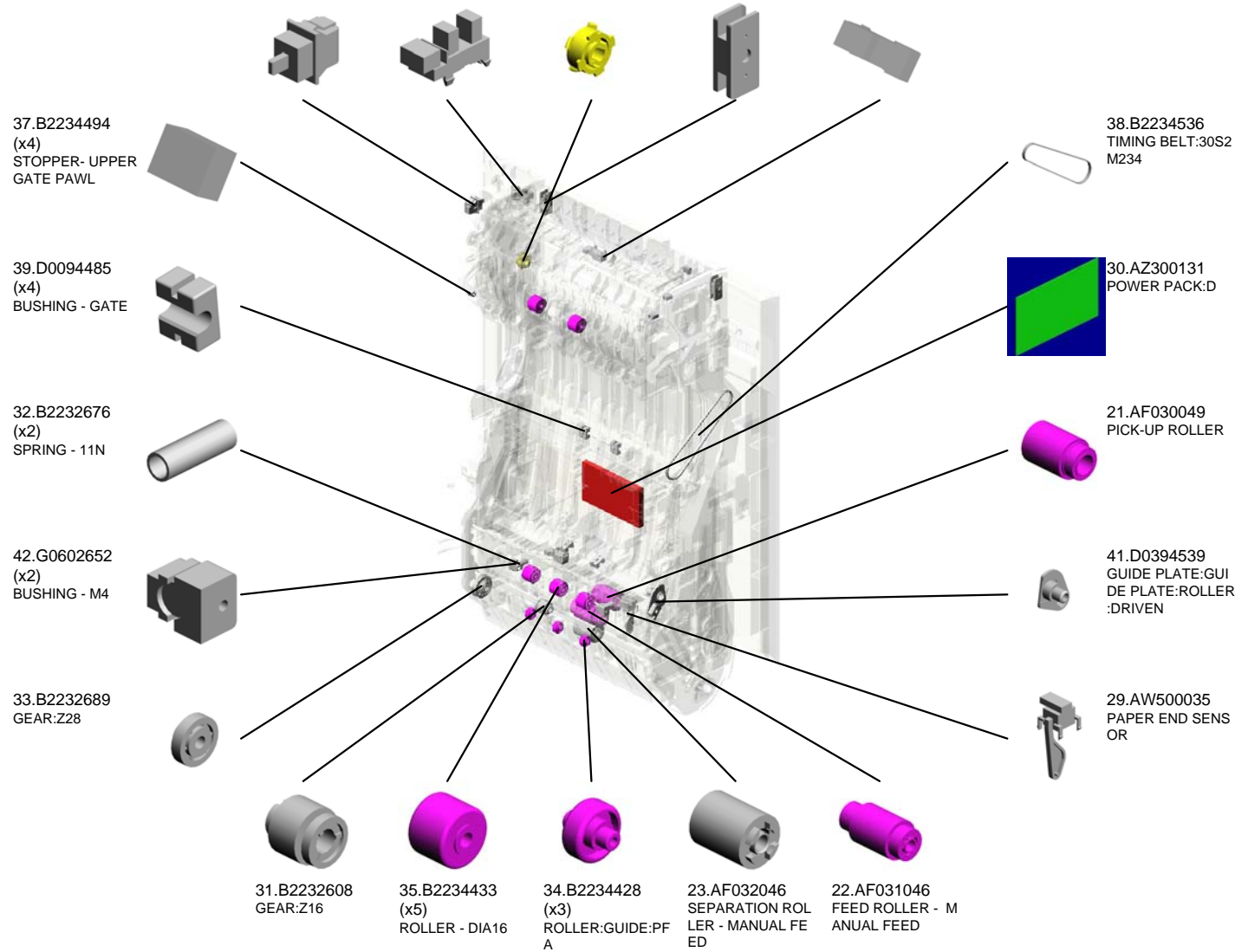
4.04513008N (x3) TAPPING SCREW - M3X8



# U013 DUPLEX



- 27.AW500023 PUSH SWITCH
- 26.AW020145 PHOTOINTERRUPTOR:FLAT
- 36.B2234464 TIMING PULLEY:23 T
- 24.AG070516 (x2) MAGNET CATCH:18N:ASS'Y
- 25.AW010107 (x3) PAPER FEED SENSOR



U001	U002	U003	U004	U005	U006	U007	U008	U009	U010	U011	U012	U013	U014	U015	U016	U017
------	------	------	------	------	------	------	------	------	------	------	------	------	------	------	------	------

# U013 DUPLEX



- 52.M0262616 BRACKET:DC SOL  
ENOID
- 53.M0262619 DC SOLENOID:PIC  
KUP
- 54.M0262621 COIL SPRING:PRE  
SSURE:PICKUP
- 61.M0262632 LINK:PAPER STOP  
PER:MANUAL FEE  
D
- 44.H0532208 BUSHING - M4

45.M0262602  
GEAR:FEED:Z35



59.M0262629  
GROUND PLATE:F  
EED



56.M0262624  
GROUND PLATE:M  
ANUAL FEED



46.M0262603  
SHAFT:FEED



51.M0262614  
SHAFT:SEPARATO  
R:DRIVE



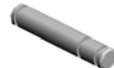
49.M0262610  
SHAFT:SEPARATO  
R:DRIVEN:ASSY



60.M0262631  
PAPER STOPPER:  
MANUAL FEED



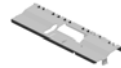
62.M0262633  
SHAFT:PAPER ST  
OPPER



43.G0802900  
TORQUE LIMITER



48.M0262606  
GUIDE:SEPARATE



58.M0262628  
GUIDE:MANUAL FE  
ED:UPPER



55.M0262622  
COIL SPRING:PRE  
SSURE RELEASE



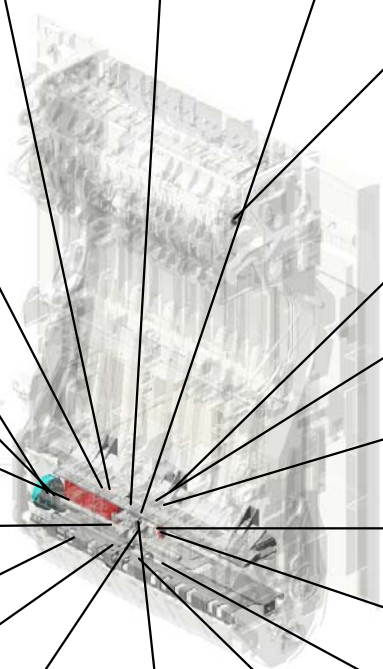
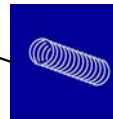
57.M0262627  
COVER:GUIDE:MA  
NUAL FEED:UPPE  
R



47.M0262604  
ARM:PICKUP



50.M0262612  
COIL SPRING:PRE  
SSURE:SEPARATO  
R



U001	U002	U003	U004	U005	U006	U007	U008	U009	U010	U011	U012	U013	U014	U015	U016	U017
------	------	------	------	------	------	------	------	------	------	------	------	------	------	------	------	------

# U013 DUPLEX



94.M0264514  
LINK:DUPLEX

83.M0262662  
STOPPER:MANUAL  
L FEED:REAR

93.M0264419  
(x2)  
DRIVEN ROLLER:D  
IA16

95.M0264521  
COVER:DUPLEX

80.M0262657  
(x2)  
SHEET:VERTICAL  
TRANSPORT:SENS  
OR

63.M0262634  
SHAFT:LINK

65.M0262636  
TORSION SPRING:  
LINK

79.M0262656  
GUIDE PLATE:VER  
TICAL TRANSPOR  
T:UPPER

64.M0262635  
TORSION SPRING:  
PAPER STOPPER

88.M0262667  
(x2)  
COIL SPRING:COV  
ER:MANUAL FEED

76.M0262651  
GUIDE PLATE:VER  
TICAL TRANSPOR  
T:LOWER

81.M0262658  
SHAFT:DRIVEN:VE  
RTICAL TRANSPOR  
T

66.M0262637  
COMPRESSION SP  
RING:COVER

87.M0262666  
COVER:MANUAL F  
EED:LOWER

84.M0262663  
GEAR:DAMPER:MA  
NUAL FEED TABLE

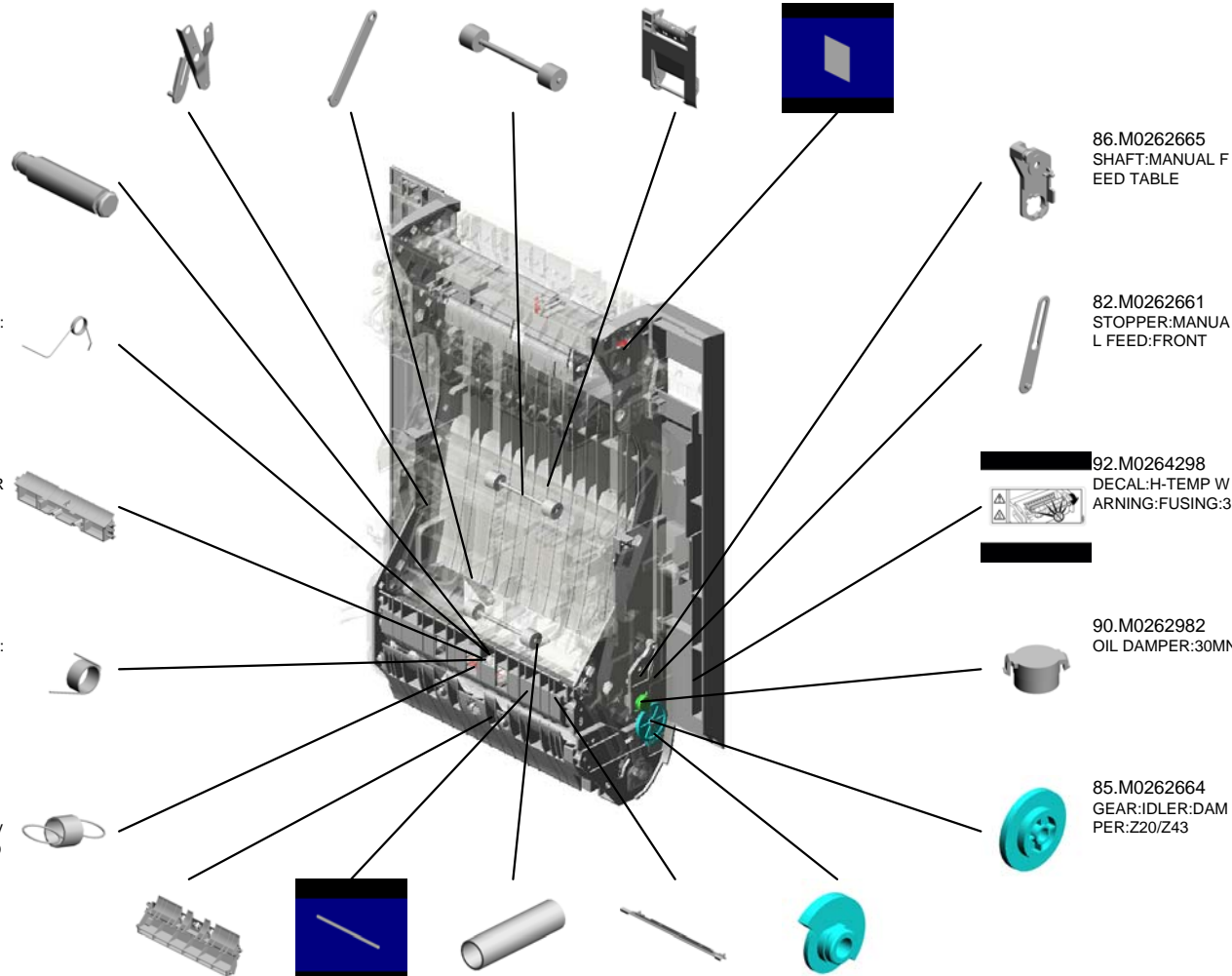
86.M0262665  
SHAFT:MANUAL F  
EED TABLE

82.M0262661  
STOPPER:MANUAL  
L FEED:FRONT

92.M0264298  
DECAL:H-TEMP W  
ARNING:FUSING:3

90.M0262982  
OIL DAMPER:30MN

85.M0262664  
GEAR:IDLER:DAM  
PER:Z20/Z43



U001	U002	U003	U004	U005	U006	U007	U008	U009	U010	U011	U012	U013	U014	U015	U016	U017
------	------	------	------	------	------	------	------	------	------	------	------	------	------	------	------	------

# U013 DUPLEX



- 108.M0264555 REVERSE ROLLER :RIGHT
- 107.M0264554 REVERSE ROLLER :UPPER
- 110.M0264558 (x6) ROLLER:DRIVEN:DIAPHRAGM
- 109.M0264557 GUIDE PLATE:COVER:RIGHT
- 101.M0264541 SHAFT:HOOK:STOPPER

102.M0264543 HOOK:STOPPER:DIAPHRAGM:REAR

114.M0264566 GATE PAWL:ENTRANCE:DIAPHRAGM:ASY

111.M0264559 STOPPER:DRIVEN ROLLER

112.M0264561 GUIDE PLATE:OPEN AND CLOSE

99.M0264538 INNER COVER:REAR:DIAPHRAGM

104.M0264548 BUSHING:GUIDE:DIAPHRAGM UNIT:SET:REAR

106.M0264553 TRANSPORT ROLLER:FEED PAPER:AGAIN

97.M0264530 SHAFT:CONTACT POINT:DIAPHRAGM

96.M0264529 LEVER:CONTACT POINT:DIAPHRAGM

103.M0264547 BUSHING:GUIDE:DIAPHRAGM UNIT:SET:FRONT

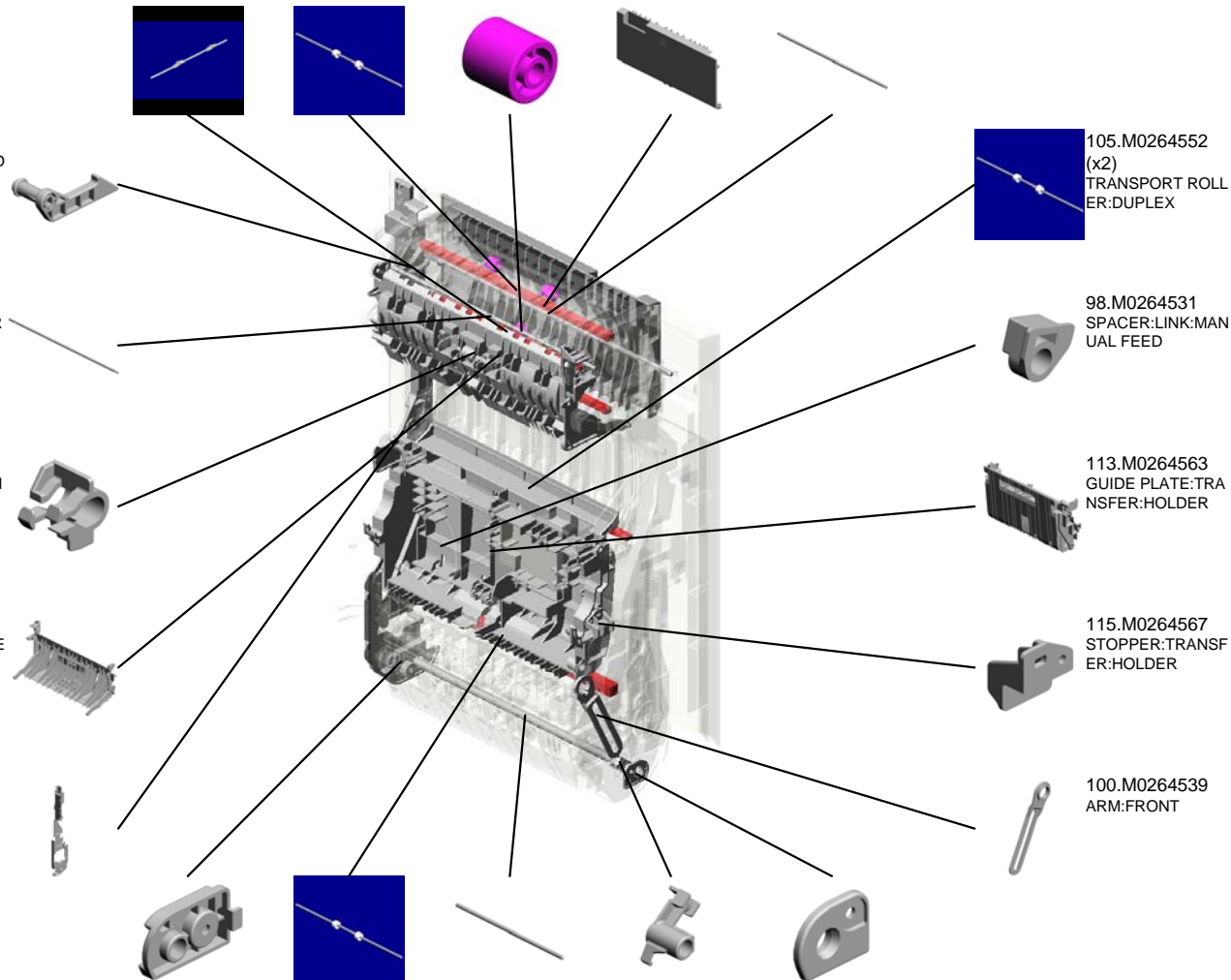
105.M0264552 (x2) TRANSPORT ROLLER:DIAPHRAGM

98.M0264531 SPACER:LINK:MANUAL FEED

113.M0264563 GUIDE PLATE:TRANSFER:HOLDER

115.M0264567 STOPPER:TRANSFER:HOLDER

100.M0264539 ARM:FRONT



U001	U002	U003	U004	U005	U006	U007	U008	U009	U010	U011	U012	U013	U014	U015	U016	U017
------	------	------	------	------	------	------	------	------	------	------	------	------	------	------	------	------



# U013 DUPLEX



- 130.M0264593 GEAR:PULLEY:R ROLLER:UPPER:Z22/T23
- 129.M0264592 TIMING BELT:REVERSE ROLLER:30S2M184
- 120.M0264578 GUIDE PLATE:UPPER:DUPLEX
- 133.M0264597 COVER:REVERSE:UPPER
- 116.M0264569 GATE PAWL:TRAY:RIGHT

135.M0264628  
GROUND PLATE:COVER:RIGHT



118.M0264573  
GATE PAWL:UPPER



131.M0264594  
SUPPORT PLATE:GUIDE PLATE:ASY



119.M0264576  
SHAFT:DRIVEN:DUPLEX:EXIT



134.M0264627  
SPRING PLATE:DAMPER:DUPLEX



126.M0264587  
GEAR:FEED PAPER AGAIN:Z22



121.M0264581  
GEAR:IDLER:Z40



128.M0264589  
GEAR:COUPLING:MANUAL FEED:Z22/Z22



122.M0264583  
PULLEY:FEED PAPER AGAIN:T26



123.M0264584  
TIMING BELT:TRANSPORT:30S2M330



124.M0264585  
(x2)  
PULLEY:TRANSPORT ROLLER:DUPLEX:T26



127.M0264588  
TIMING BELT:TRANSPORT:30S2M174



125.M0264586  
PULLEY:CONNECTING:T24/T24



117.M0264570  
GUIDE PLATE:V TRANSPORT:DUPLEX



132.M0264596  
INNER COVER:FRONT:DUPLEX

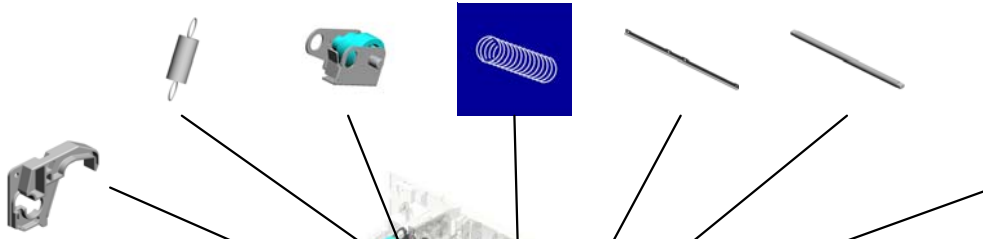


# U013 DUPLEX



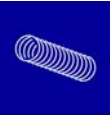
- 150.M0264655 COIL SPRING:BRACKET:GEAR:REVERSE
- 137.M0264631 BRACKET:GEAR:REVERSE
- 139.M0264635 (x2) COIL SPRING:ROLLER:OPEN AND CLOSE
- 136.M0264629 STAY:COVER:OPEN AND CLOSE:RIGHT
- 155.M0264672 (x3) SHAFT:DRIVEN:ROLLER:DUPLEX:RIGHT

154.M0264671  
ARM:PRESSURE RELEASE:REAR

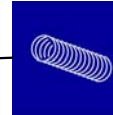


143.M0264640  
TENSION SPRING: GATE PAWL:TRAY: RIGHT

138.M0264634 (x2)  
COIL SPRING:ROLLER:OPEN AND CLOSE



142.M0264638 (x4)  
COIL SPRING:ROLLER:REVERSE



152.M0264664  
TORSION SPRING: DAMPER:DUPLEX: 84N



144.M0264641  
TENSION SPRING: GATE PAWL



151.M0264663  
GEAR:DAMPER:DUPLEX



140.M0264636  
LINK:GATE PAWL: UPPER



147.M0264644  
GUIDE PLATE:LINK :DUPLEX:ASSY



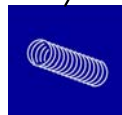
153.M0264669  
ARM:PRESSURE RELEASE:FRONT



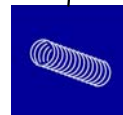
149.M0264652  
GUIDE:GEAR:DUPLEX:MANUAL FEED



145.M0264642 (x2)  
COIL SPRING:ROLLER:TRANSFER:5.5N



146.M0264643 (x2)  
COIL SPRING:ROLLER:TRANSFER:3N



141.M0264637  
TENSION SPRING: GATE PAWL:UPPER



148.M0264645  
SUPPORTING PLATE:FRONT:DUPLEX



U001	U002	U003	U004	U005	U006	U007	U008	U009	U010	U011	U012	U013	U014	U015	U016	U017
------	------	------	------	------	------	------	------	------	------	------	------	------	------	------	------	------

# U013 DUPLEX



- 161.M0264682 SHAFT:GUIDE PLATE:TRANSFER:HOLDER
- 160.M0264681 GUIDE:COVER:SENSOR:TRAY:RIGHT
- 156.M0264673 GUIDE PLATE:REVERSE:UPPER
- 169.M0264696 TENSION SPRING:LEVER:DUPLEX
- 170.M0264697 HOOK:STOPPER:DUPLEX:FRONT

162.M0264683  
STOPPER:GUIDE PLATE:REAR

168.M0264695  
TENSION SPRING:LEVER:TRANSFER

157.M0264674  
GEAR:LINK:DUPLEX

159.M0264678  
GROUND WIRE:DUPLEX:ENTRANCE:SENSOR

164.M0264686  
DECAL:TRANSFER:HOLDER

165.M0264687  
LEVER:GUIDE PLATE:TRANSFER:HOLDER

167.M0264694  
STOPPER:GUIDE PLATE:FRONT

158.M0264677  
(x2)  
GROUND WIRE:DUPLEX:EXIT:SENSOR

163.M0264685  
STOPPER:GUIDE PLATE:TRANSFER:HOLDER

166.M0264688  
END RING:CONTACT POINT:DUPLEX

U001	U002	U003	U004	U005	U006	U007	U008	U009	U010	U011	U012	U013	U014	U015	U016	U017
------	------	------	------	------	------	------	------	------	------	------	------	------	------	------	------	------

U013\_S001  
 MANUAL FEED TABLE:ASS'Y

71.M0262645 (x2) RACK:MANUAL FEED  
 89.M0262691 DECAL:SCALE:MANUAL FEED  
 68.M0262642 COVER:MANUAL FEED  
 72.M0262646 EXTENSION TRAY



67.M0262640  
 MANUAL FEED TABLE:ASS'Y

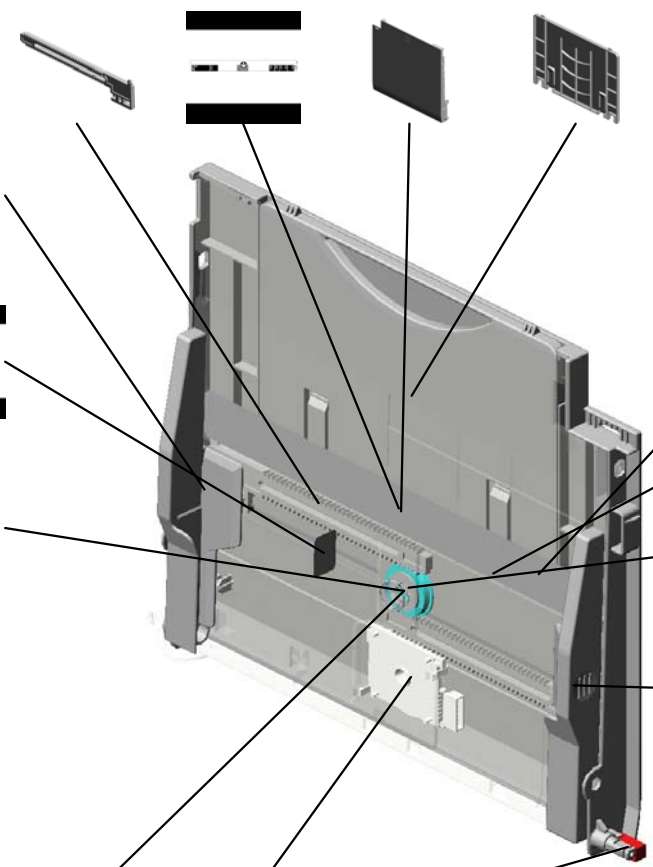
70.M0262644  
 SIDE FENCE:MANUAL FEED:REAR



91.M0262993  
 DECAL:SIDE FENCE:MANUAL FEED



40.D0392752  
 DISC:SIDE FENCE



75.M0262649 (x2)  
 COMPRESSION SPRING:EXTENSION TRAY:5N



78.M0262654  
 TENSION SPRING:SIDE FENCE:1N



73.M0262647  
 GEAR:SIDE FENCE



69.M0262643  
 SIDE FENCE:MANUAL FEED:FRONT

77.M0262653  
 COIL SPRING:SIDE FENCE



28.AW500031  
 PAPER SIZE SENSOR



74.M0262648  
 PIN:SIDE FENCE



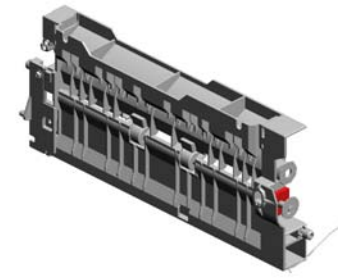
U001	U002	U003	U004	U005	U006	U007	U008	U009	U010	U011	U012	U013	U014	U015	U016	U017
------	------	------	------	------	------	------	------	------	------	------	------	------	------	------	------	------

# U014 PAPER EXIT

6.B2234494  
STOPPER- UPPER  
GATE PAWL

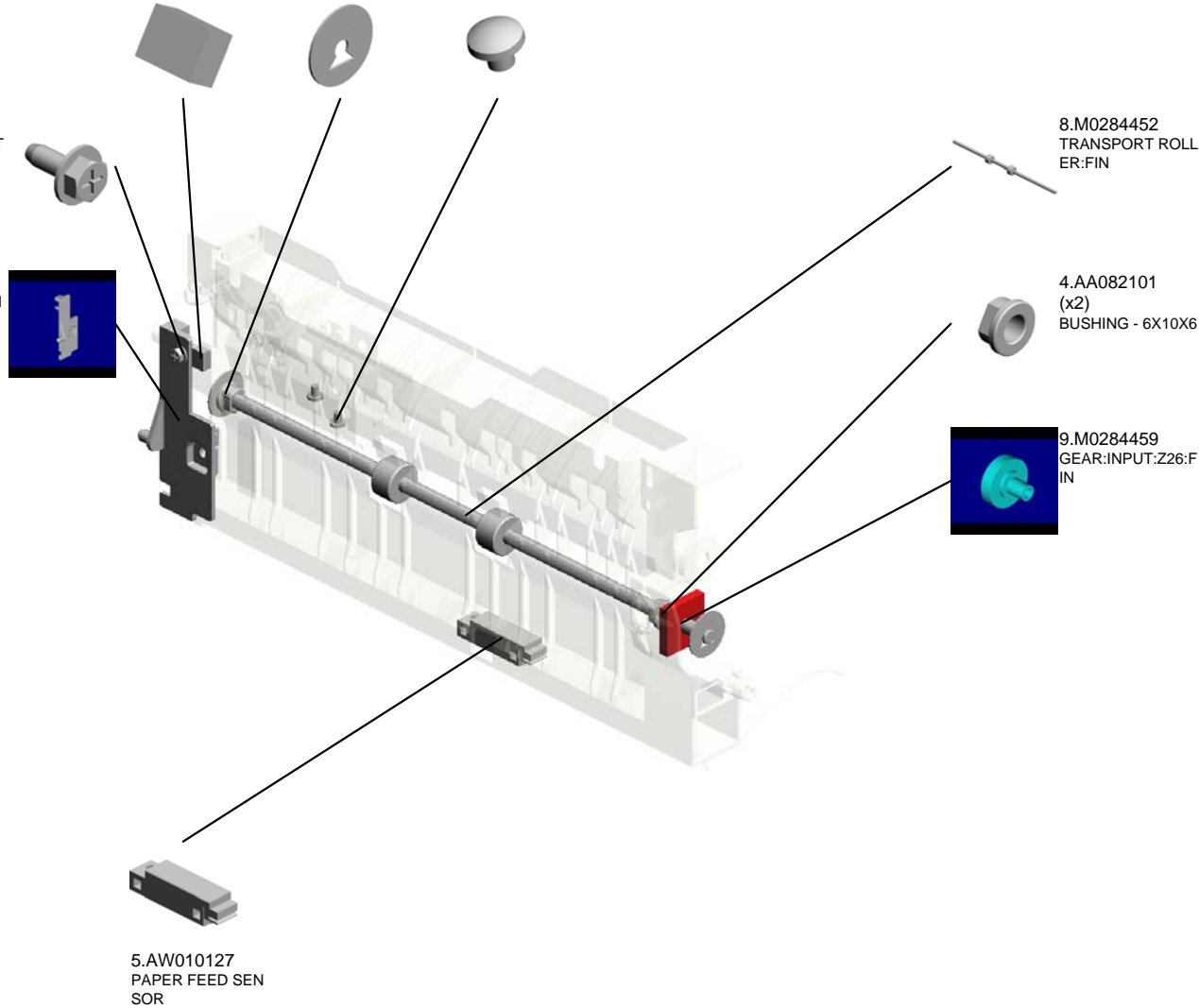
3.08050089  
(x2)  
RETAINING RING -  
M4

1.03530030N  
(x2)  
SCREW:M3X3



2.08025319  
HEXAGON HEAD T  
APPING SCREW:EXI  
S:3X8

7.M0264487  
INNER COVER:EXI  
T



U001	U002	U003	U004	U005	U006	U007	U008	U009	U010	U011	U012	U013	<b>U014</b>	U015	U016	U017
------	------	------	------	------	------	------	------	------	------	------	------	------	-------------	------	------	------

# U015.MAIN DRIVE

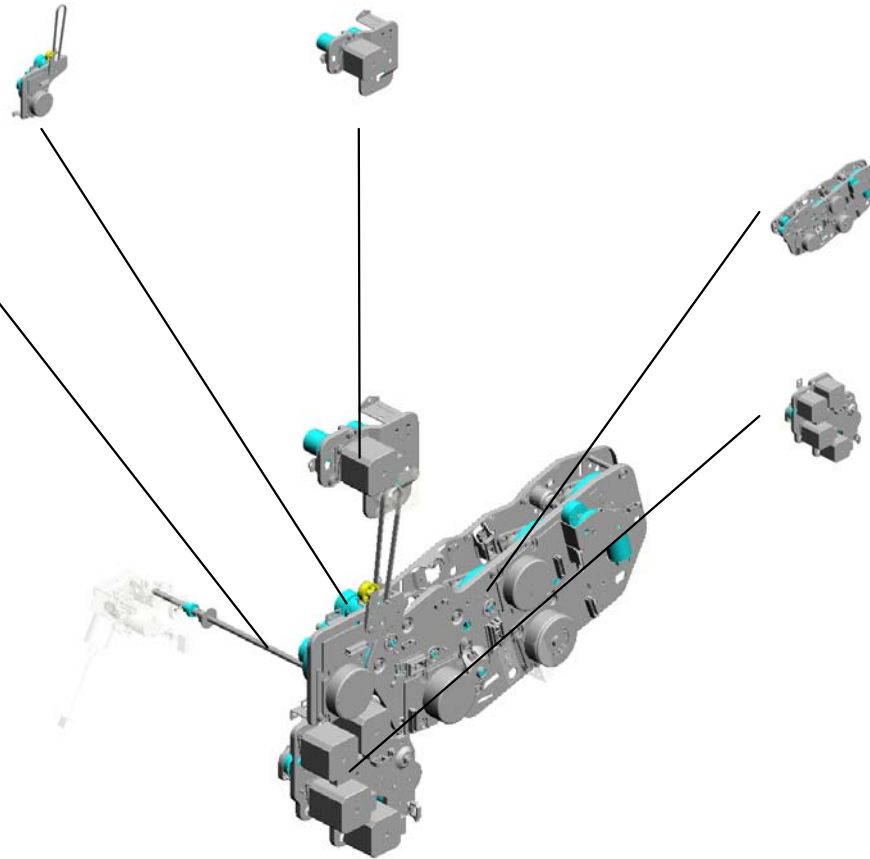
U015\_S003  
M0261165  
DRIVE UNIT:FUSING

U015\_S004  
M0281169  
DRIVE UNIT:PAPER EXIT SU  
B-UNIT:NO.2

U015\_S002  
M0281148  
SHAFT:ON-OFF:SECOND:PR  
ESS FIT

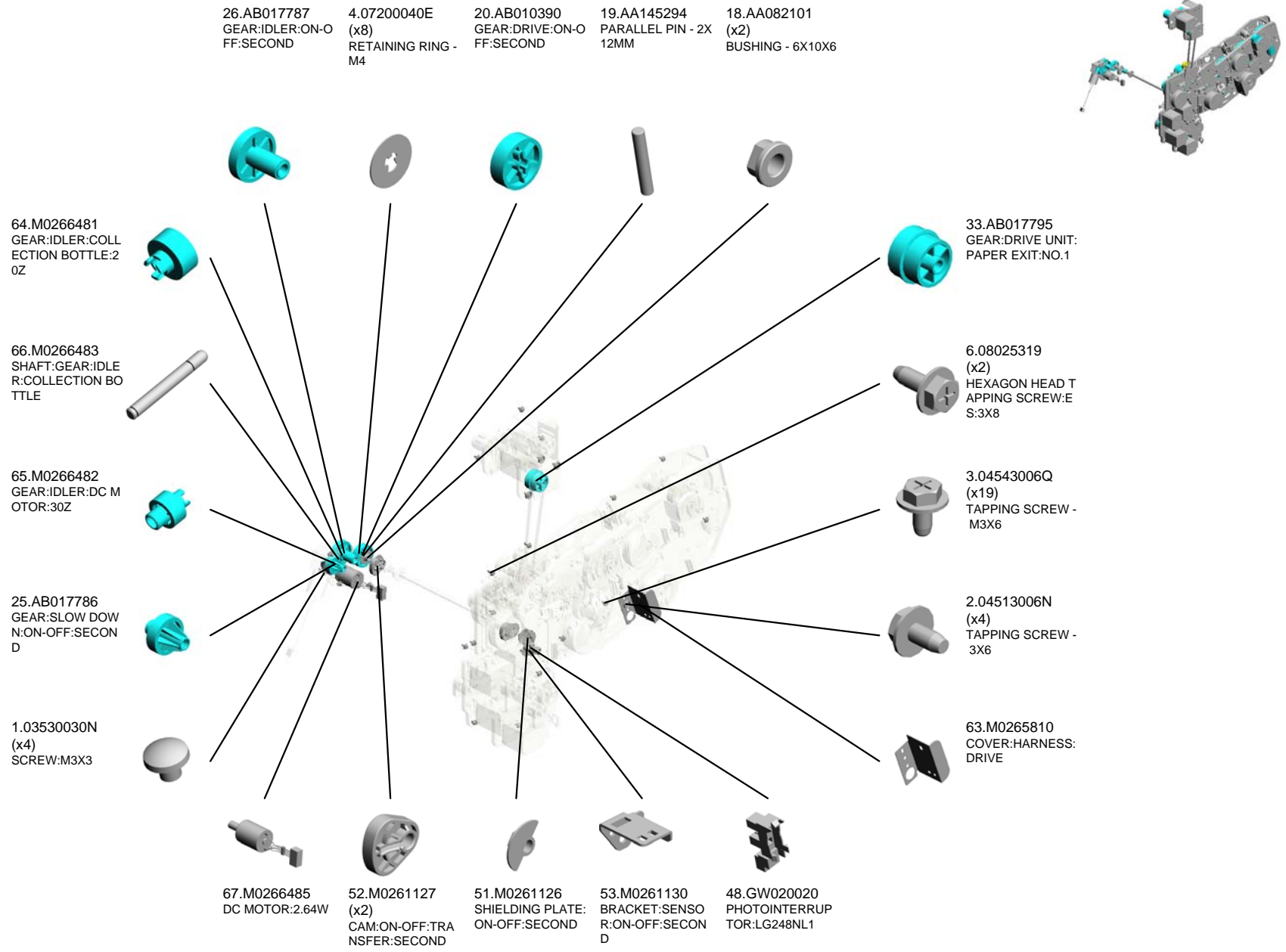
U015\_S001  
M0261135  
DRIVE UNIT:DRUM:DEVELO  
PMENT:TRANSFER

U015\_S005  
M0261180  
DRIVE UNIT:PAPER FEED



U001	U002	U003	U004	U005	U006	U007	U008	U009	U010	U011	U012	U013	U014	U015	U016	U017
------	------	------	------	------	------	------	------	------	------	------	------	------	------	------	------	------

# U015 MAIN DRIVE

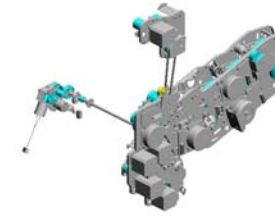


U001	U002	U003	U004	U005	U006	U007	U008	U009	U010	U011	U012	U013	U014	U015	U016	U017
------	------	------	------	------	------	------	------	------	------	------	------	------	------	------	------	------

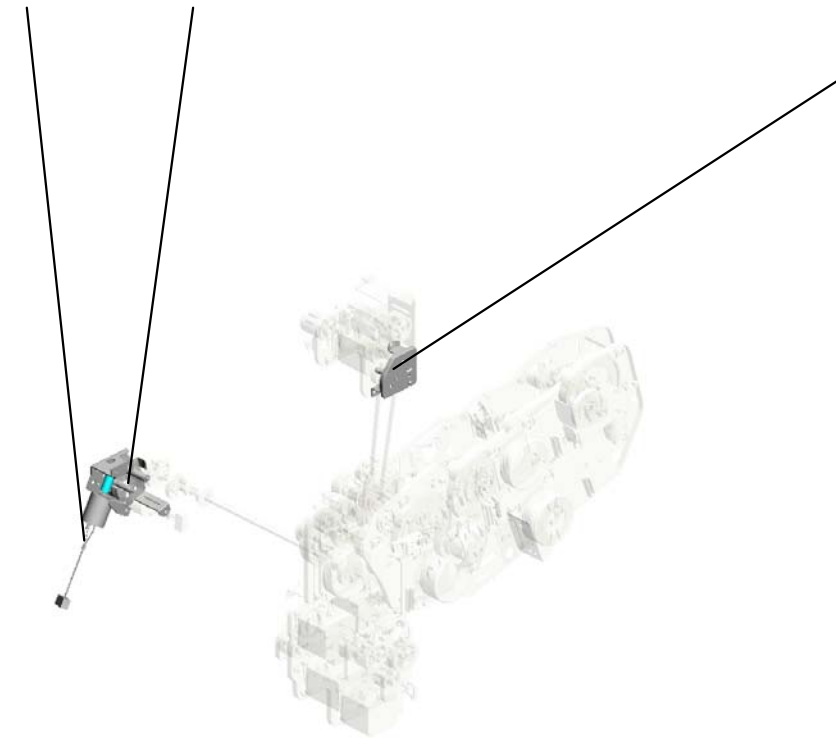
# U015 MAIN DRIVE

68.M0281031  
DC MOTOR:ON-OFF  
F:1.56W

69.M0281032  
BRACKET:ON-OFF:  
USED TONER



71.M0281165  
BRACKET:DRIVE U  
NIT:PAPER EXIT:N  
O.1



U001	U002	U003	U004	U005	U006	U007	U008	U009	U010	U011	U012	U013	U014	U015	U016	U017
------	------	------	------	------	------	------	------	------	------	------	------	------	------	------	------	------



U015\_S001  
 DRIVE UNIT:DRUM:DEVELOPMENT:TRANSFER



54.M0261135  
 DRIVE UNIT:DRUM  
 :DEVELOPMENT:T  
 RANSFER

13.11050723 (x5)  
 CLAMPS:WES-050  
 7

42.AX060388  
 DC BRUSHLESS M  
 OTOR:DRUM:COL  
 OR:25W

24.AB017785  
 GEAR:ON-OFF:TR  
 ANSFER:NO.2

4.07200040E (x14)  
 RETAINING RING -  
 M4

3.04543006Q (x24)  
 TAPPING SCREW -  
 M3X6

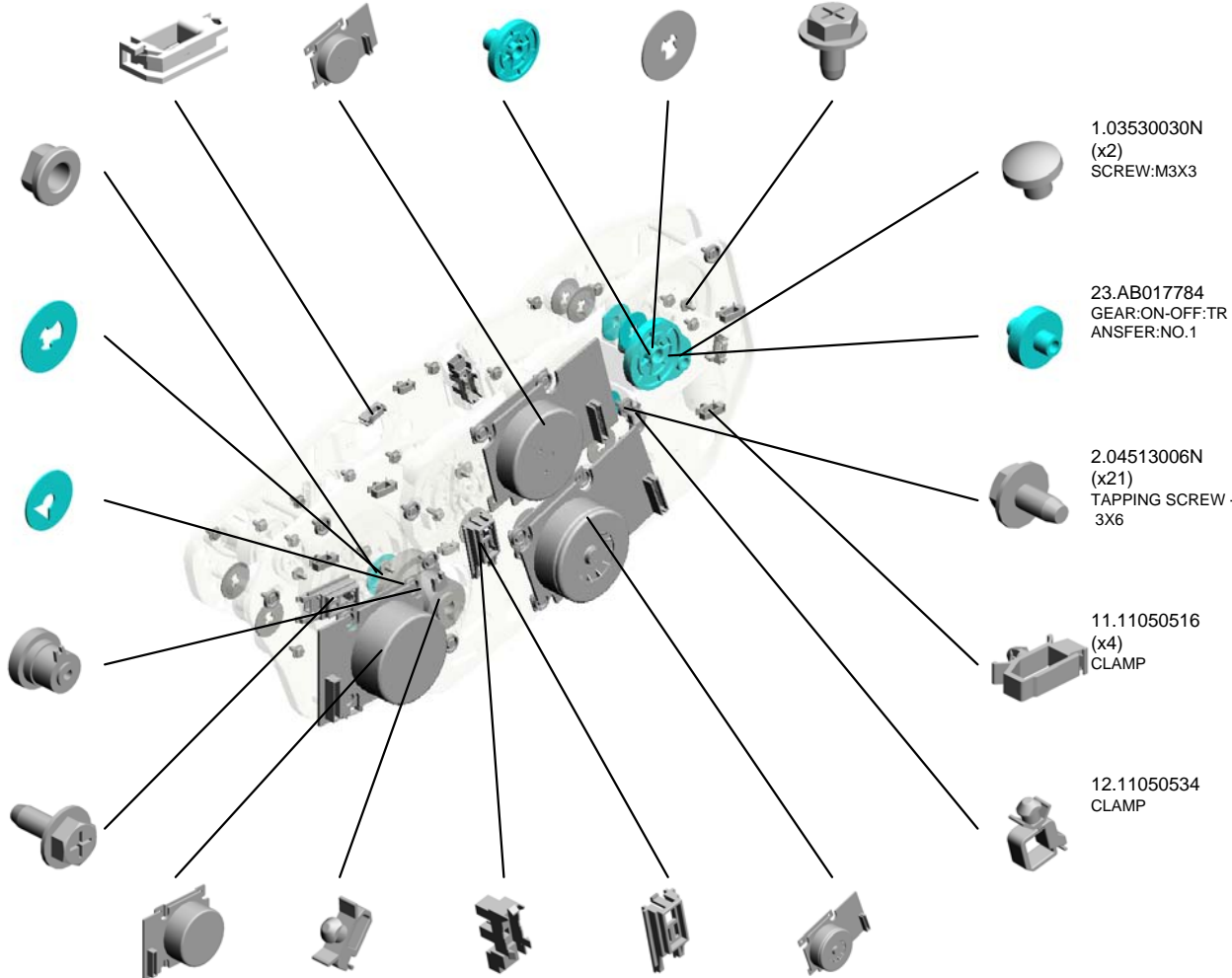
18.AA082101  
 (x2)  
 BUSHING - 6X10X6

5.07200060E  
 RETAINING RING -  
 M6

7.08050088  
 RETAINING RING -  
 M6

44.AX200319  
 MAGNETIC CLUTC  
 H:DEVELOPMENT

6.08025319  
 (x4)  
 HEXAGON HEAD T  
 APPING SCREW:E  
 S:3X8



1.03530030N  
 (x2)  
 SCREW:M3X3

23.AB017784  
 GEAR:ON-OFF:TR  
 ANSFER:NO.1

2.04513006N  
 (x21)  
 TAPPING SCREW -  
 3X6

11.11050516  
 (x4)  
 CLAMP

12.11050534  
 CLAMP

43.AX060389  
 DC BRUSHLESS M  
 OTOR:DRUM:BK:31  
 W

10.11050511  
 (x6)  
 HARNESS CLAMP -  
 LWS-0306ZC

48.GW020020  
 (x3)  
 PHOTOINTERRUP  
 TOR:LG248NL1

45.B2231144  
 (x2)  
 HOLDER:POSITIO  
 NING SENSOR

41.AX060387  
 DC BRUSHLESS M  
 OTOR:DEV:COLOR  
 :40W

U001	U002	U003	U004	U005	U006	U007	U008	U009	U010	U011	U012	U013	U014	U015	U016	U017
------	------	------	------	------	------	------	------	------	------	------	------	------	------	------	------	------

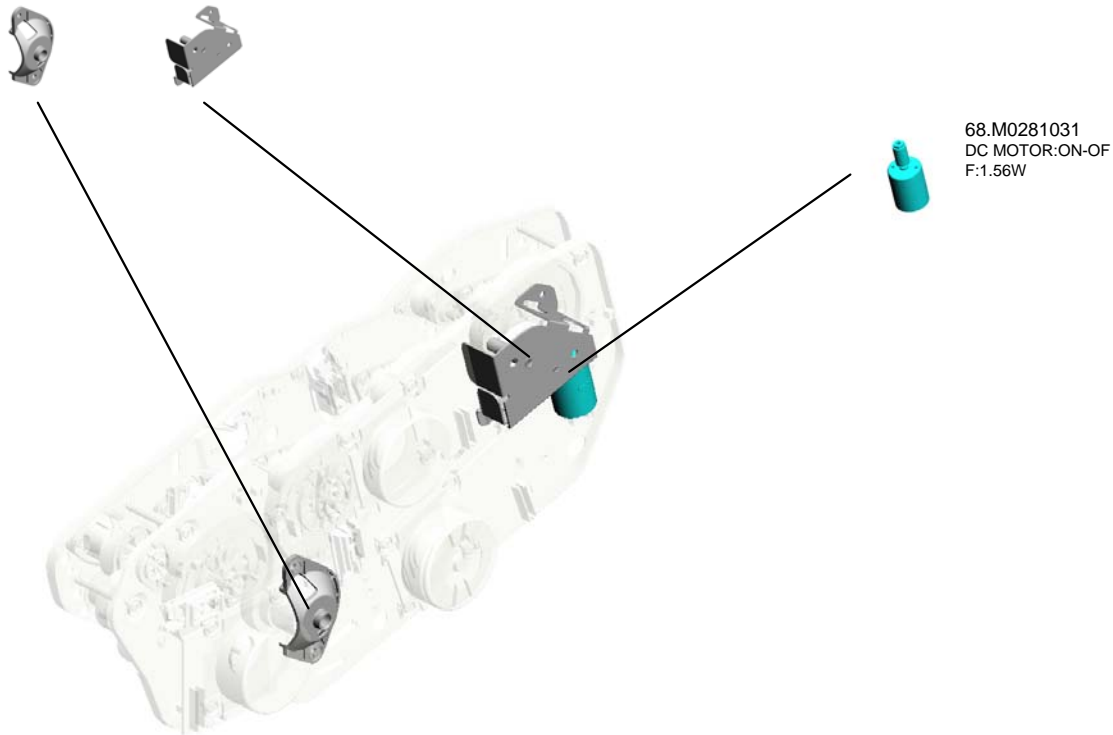
U015\_S001  
DRIVE UNIT:DRUM:DEVELOPMENT:TRANSFER

49.M0261033  
HOLDER:CLUTCH:  
DEVELOPMENT

50.M0261049  
BRACKET:ON-OFF:  
TRANSFER



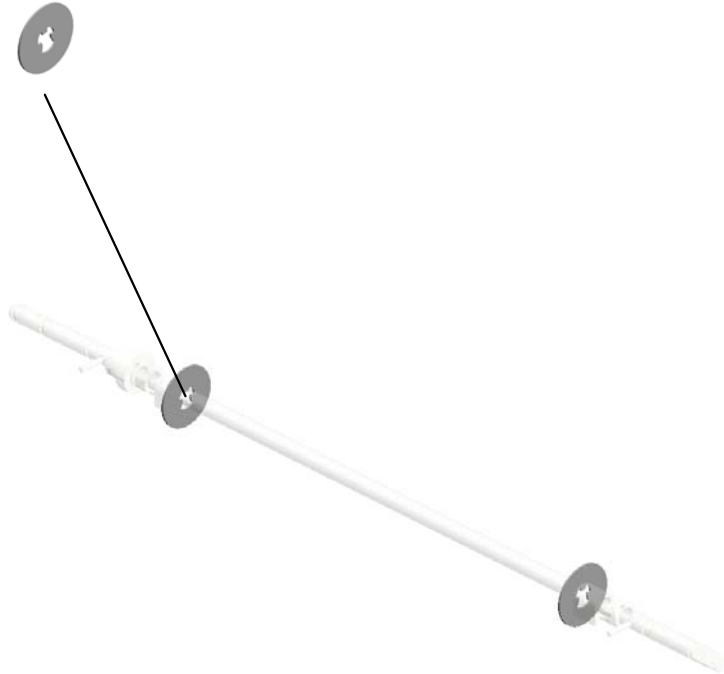
54.M0261135  
DRIVE UNIT:DRUM  
:DEVELOPMENT:T  
RANSFER



U001	U002	U003	U004	U005	U006	U007	U008	U009	U010	U011	U012	U013	U014	U015	U016	U017
------	------	------	------	------	------	------	------	------	------	------	------	------	------	------	------	------

U015\_S002  
SHAFT:ON-OFF:SECOND:PRESS FIT

4.07200040E  
(x2)  
RETAINING RING -  
M4



70.M0281148  
SHAFT:ON-OFF:SE  
COND:PRESS FIT

U001	U002	U003	U004	U005	U006	U007	U008	U009	U010	U011	U012	U013	U014	U015	U016	U017
------	------	------	------	------	------	------	------	------	------	------	------	------	------	------	------	------

U015\_S003  
DRIVE UNIT:FUSING

32.AB017794  
GEAR:DRIVE UNIT:  
FUSING:NO.4

8.08050089  
RETAINING RING -  
M4

39.AB030828  
PULLEY:DRIVE UNI  
T:FUSING:TIGHTE  
NER

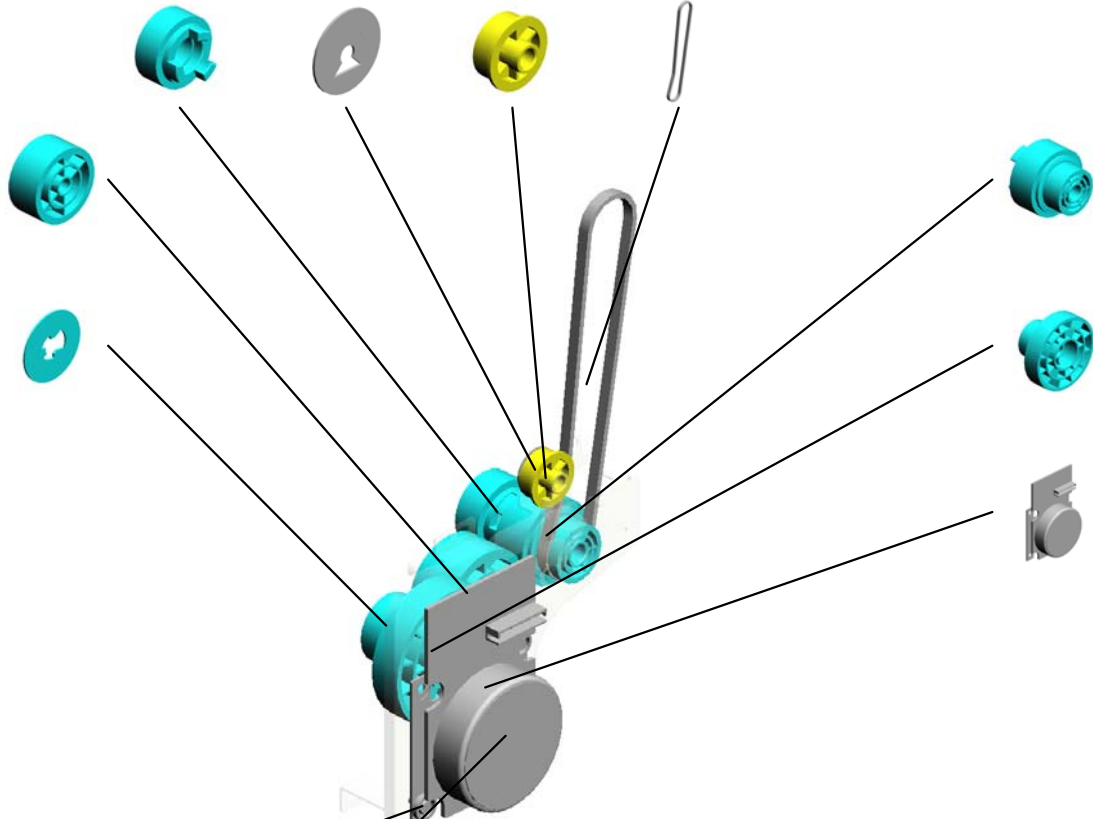
14.AA043338  
TIMING BELT:DRIV  
E UNIT:50S3M351

55.M0261165  
DRIVE UNIT:FUSIN  
G



30.AB017792  
GEAR:DRIVE UNIT:  
FUSING:NO.2

5.07200060E  
(x3)  
RETAINING RING -  
M6



31.AB017793  
GEAR:DRIVE UNIT:  
FUSING:NO.3

38.AB017816  
GEAR:DRIVE UNIT:  
FUSING:NO.1

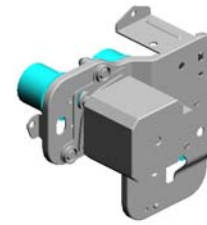
40.AX060385  
DC BRUSHLESS M  
OTOR:FUSING/EXI  
T:19.5W

2.04513006N  
(x3)  
TAPPING SCREW -  
3X6

47.B8332567  
TENSION SPRING

U001	U002	U003	U004	U005	U006	U007	U008	U009	U010	U011	U012	U013	U014	U015	U016	U017
------	------	------	------	------	------	------	------	------	------	------	------	------	------	------	------	------

U015\_S004  
 DRIVE UNIT:PAPER EXIT SUB-UNIT:NO.2

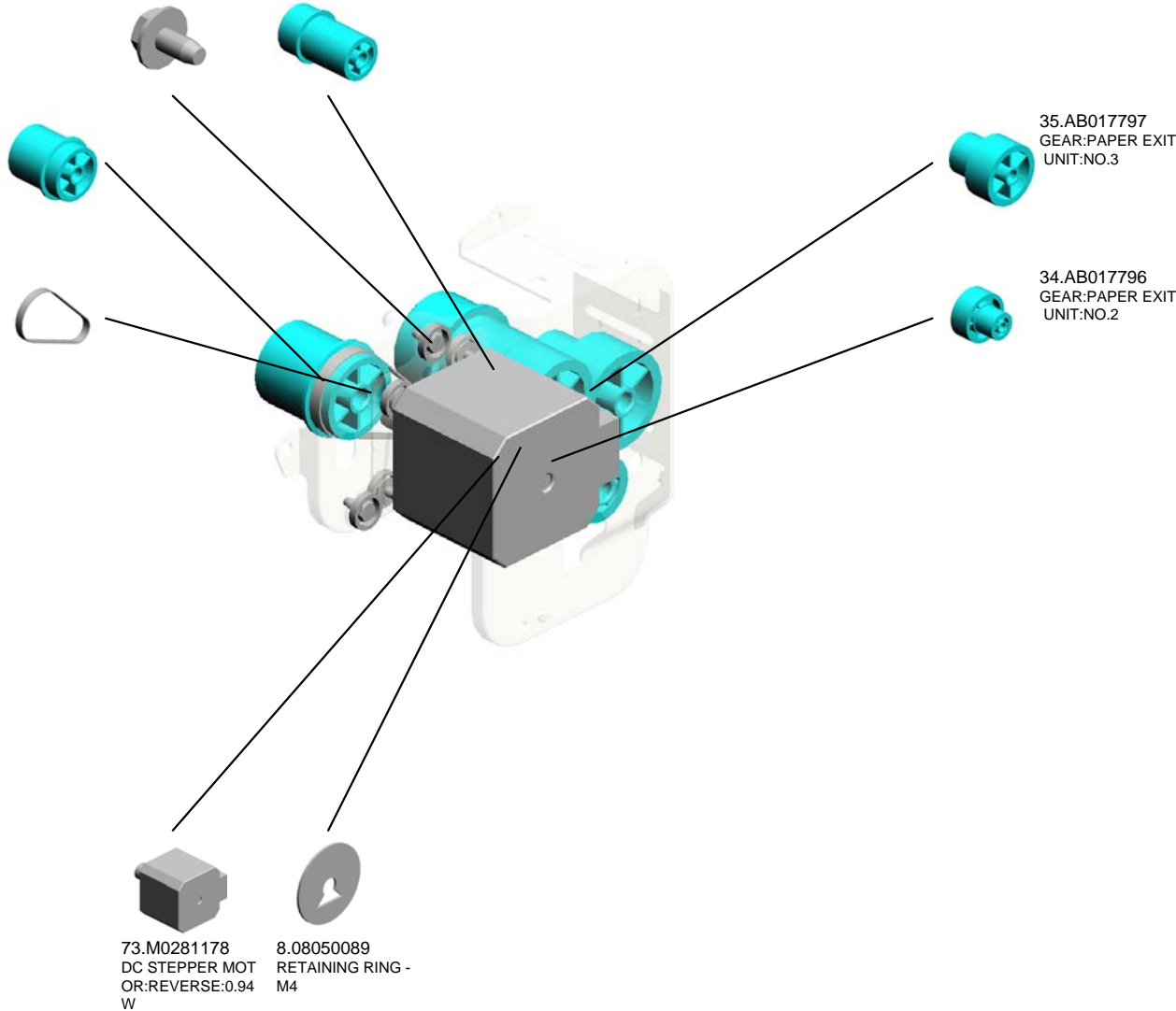


72.M0281169  
 DRIVE UNIT:PAPER  
 EXIT SUB-UNIT:  
 NO.2

2.04513006N (x6)  
 TAPPING SCREW - 3X6  
 36.AB017798  
 GEAR:PAPER EXIT  
 UNIT:NO.4

37.AB017799  
 GEAR:REVERSE:COUPLING

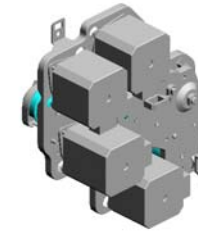
15.AA043339  
 TIMING BELT:PAPER  
 EXIT:40S2M122



73.M0281178  
 DC STEPPER MOTOR:REVERSE:0.94  
 W  
 8.08050089  
 RETAINING RING - M4

U001	U002	U003	U004	U005	U006	U007	U008	U009	U010	U011	U012	U013	U014	U015	U016	U017
------	------	------	------	------	------	------	------	------	------	------	------	------	------	------	------	------

U015\_S005  
DRIVE UNIT:PAPER FEED



56.M0261180  
DRIVE UNIT:PAPE  
R FEED

27.AB017788 (x2)  
GEAR:TRANSPOR  
T  
28.AB017789  
GEAR:REGISTRATI  
ON:COUPLING  
60.M0261192 (x2)  
JOINT:PAPER FEE  
D:DRIVE  
62.M0261194 (x2)  
SHAFT:TRANSPOR  
T:DRIVE  
18.AA082101 (x4)  
BUSHING - 6X10X6

59.M0261190 (x2)  
DC STEPPER MOT  
OR:REGIST:1.34W

16.AA043601 (x2)  
TIMING BELT - B40  
S2M118

29.AB017790  
GEAR:DUPLEX:DRIVE

46.B2382676  
TENSION SPRING

17.AA043613 (x2)  
TIMING BELT - 40S  
3M177

58.M0261189  
DC STEPPER MOT  
OR:TRANSPORT:1.  
56W

2.04513006N (x25)  
TAPPING SCREW -  
3X6

57.M0261188  
DC STEPPER MOT  
OR:PAPER FEED:0  
.94W

21.AB011258 (x2)  
GEAR - 38Z

10.11050511  
HARNESS CLAMP -  
LWS-0306ZC

61.M0261193  
SHAFT:PAPER FEE  
D:DRIVE

22.AB011259 (x2)  
GEAR - 32Z

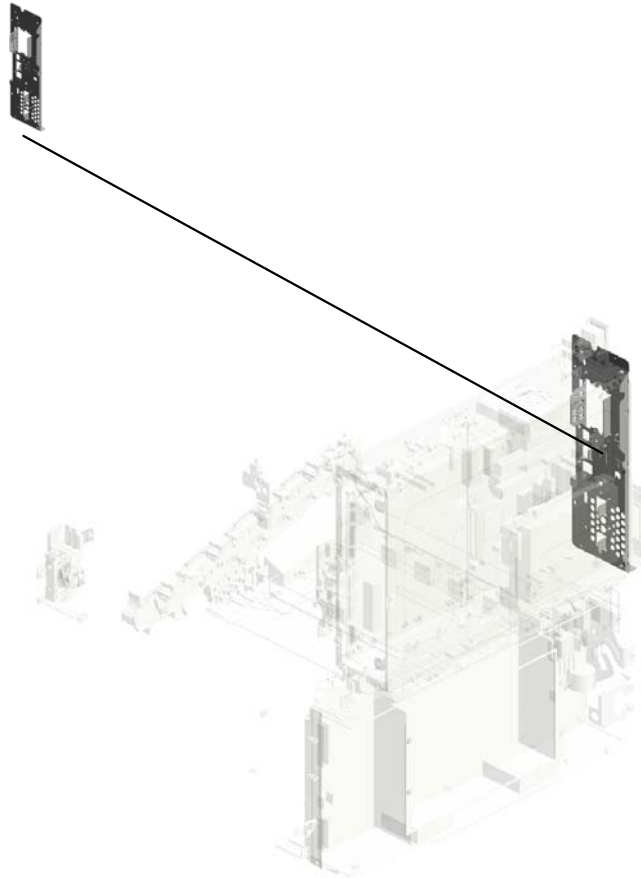
8.08050089 (x4)  
RETAINING RING -  
M4

9.11050487 (x2)  
HARNESS CLAMP

U001	U002	U003	U004	U005	U006	U007	U008	U009	U010	U011	U012	U013	U014	U015	U016	U017
------	------	------	------	------	------	------	------	------	------	------	------	------	------	------	------	------

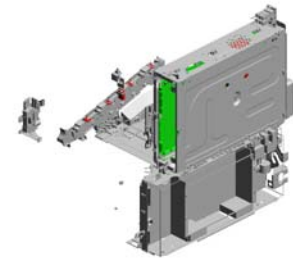
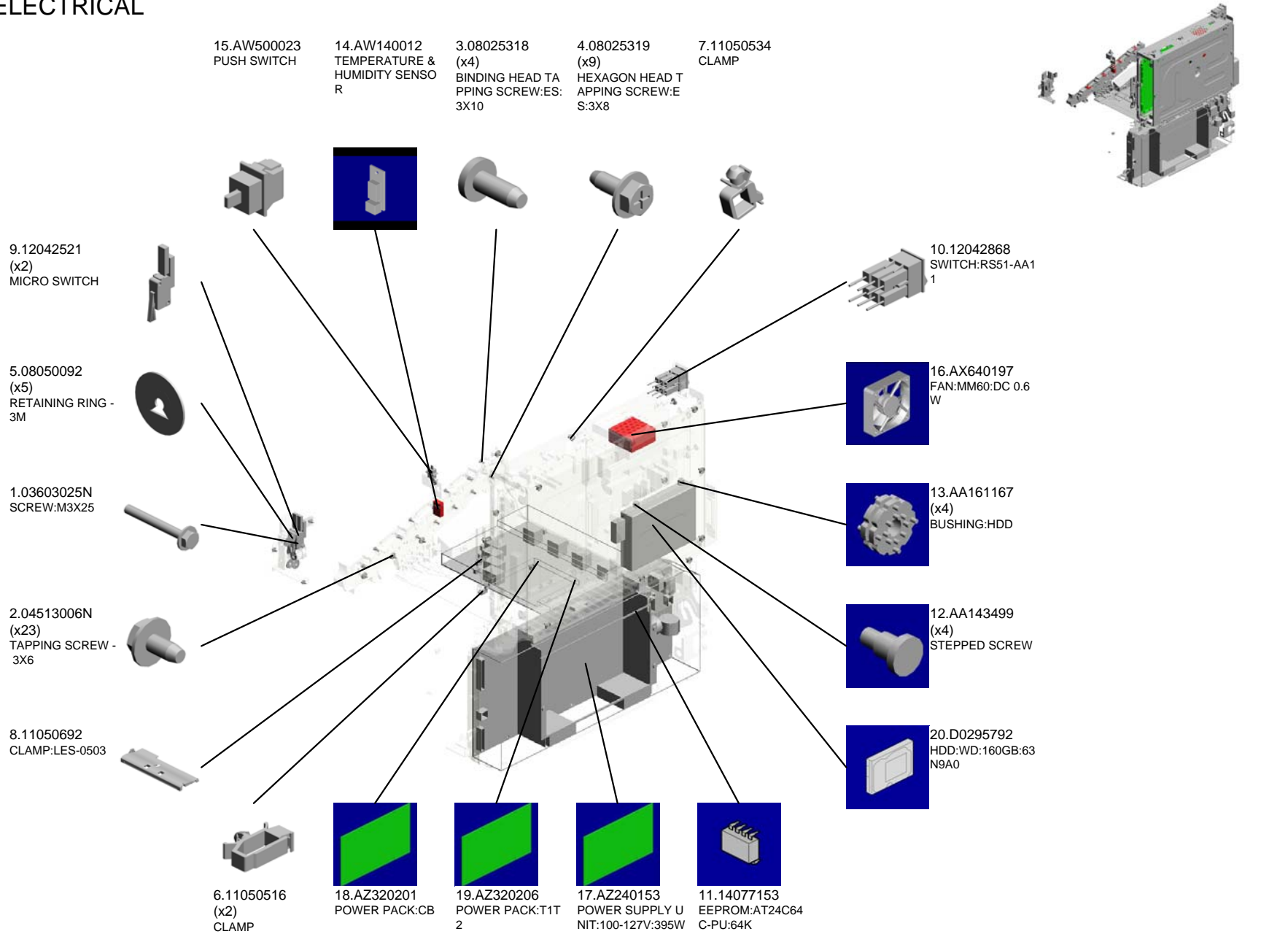
# U016.ELECTRICAL

U016\_S001  
M0265652  
PANEL:CTL



U001	U002	U003	U004	U005	U006	U007	U008	U009	U010	U011	U012	U013	U014	U015	U016	U017
------	------	------	------	------	------	------	------	------	------	------	------	------	------	------	------	------

# U016 ELECTRICAL



U001	U002	U003	U004	U005	U006	U007	U008	U009	U010	U011	U012	U013	U014	U015	U016	U017
------	------	------	------	------	------	------	------	------	------	------	------	------	------	------	------	------



# U016 ELECTRICAL

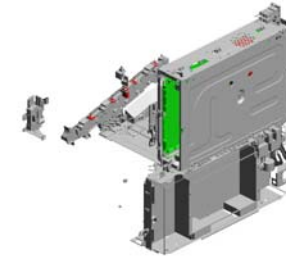
28.GA003033  
DECAL - SHIELDIN  
G PLATE K

31.M0265124  
PCB:IPU

38.M0265660  
BRACKET:FAN

33.M0265272  
CABLE:HDD:SATA:  
RED135

37.M0265659  
PANEL:SD



27.GA003032  
DECAL - SHIELDIN  
G PLATE C



26.GA003031  
DECAL - SHIELDIN  
G PLATE M



25.GA003030  
DECAL - SHIELDIN  
G PLATE Y



21.D0395846  
(x2)  
SPRING:SAFETY S  
WITCH:FRONT



29.M0261186  
GUIDE:HARNES



30.M0265101  
PCB:BCU:ASS'Y



34.M0265636  
COVER:RACK



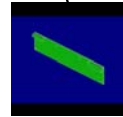
40.M0265663  
(x2)  
GROUND PLATE:H  
DD



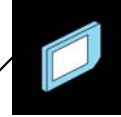
39.M0265662  
BRACKET:HDD



32.M0265194  
PCB:SDB



22.D0895795  
SD-CARD:Z-V4:EX  
P:ASSY



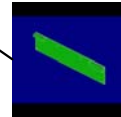
41.M0265712  
SERVICE PARTS:P  
CB:EX2:M026:ASS'  
Y



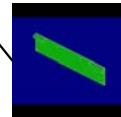
42.M0265713  
SERVICE PARTS:P  
CB:EX2:M022:ASS'  
Y



24.G1786072  
PCB:PC4200:RAW  
CARD-A:1GB:ASS'  
Y

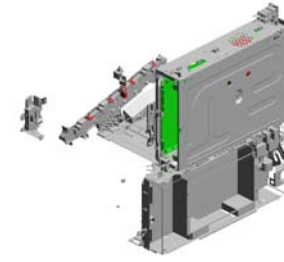


23.G1786062  
PWB:DDR2-DIMM:  
RAWCARD-C



# U016 ELECTRICAL

56.M0265876 LEVER:SAFETY SWITCH:NO.1  
 52.M0265870 ARM:SAFETY SWITCH:NO.2  
 50.M0265866 BRACKET:SAFETY SWITCH:MAIN  
 55.M0265875 SHAFT:SAFETY SWITCH:NO.5  
 59.M0265879 LEVER:SAFETY SWITCH:NO.4



51.M0265868 ARM:SAFETY SWITCH:NO.1

58.M0265878 LEVER:SAFETY SWITCH:NO.3

53.M0265871 (x2) SHAFT:SAFETY SWITCH:NO.1

57.M0265877 LEVER:SAFETY SWITCH:NO.2

54.M0265874 SHAFT:SAFETY SWITCH:NO.4

61.M0265882 (x4) TERMINAL:DEVELOPMENT

48.M0265847 BRACKET:PUSH SWITCH

62.M0265883 HOLDER:TERMINAL:DEVELOPMENT

46.M0265828 GUARD:HARNESS:BCU

45.M0265819 COVER:POWER SUPPLY UNIT:HEATER

44.M0265816 BRACKET:MAIN SWITCH

49.M0265857 (x2) PANEL:INTERFACE:HE-71

43.M0265782 CABLE:HDD:S-ATA:POWER:120

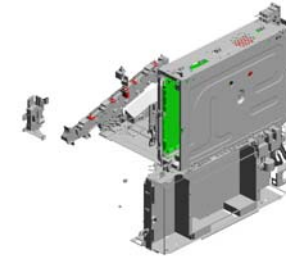
47.M0265831 COVER:HARNESS:POWER PACK

60.M0265881 INSULATING SHEET:POWER PACK

U001	U002	U003	U004	U005	U006	U007	U008	U009	U010	U011	U012	U013	U014	U015	U016	U017
------	------	------	------	------	------	------	------	------	------	------	------	------	------	------	------	------

# U016 ELECTRICAL

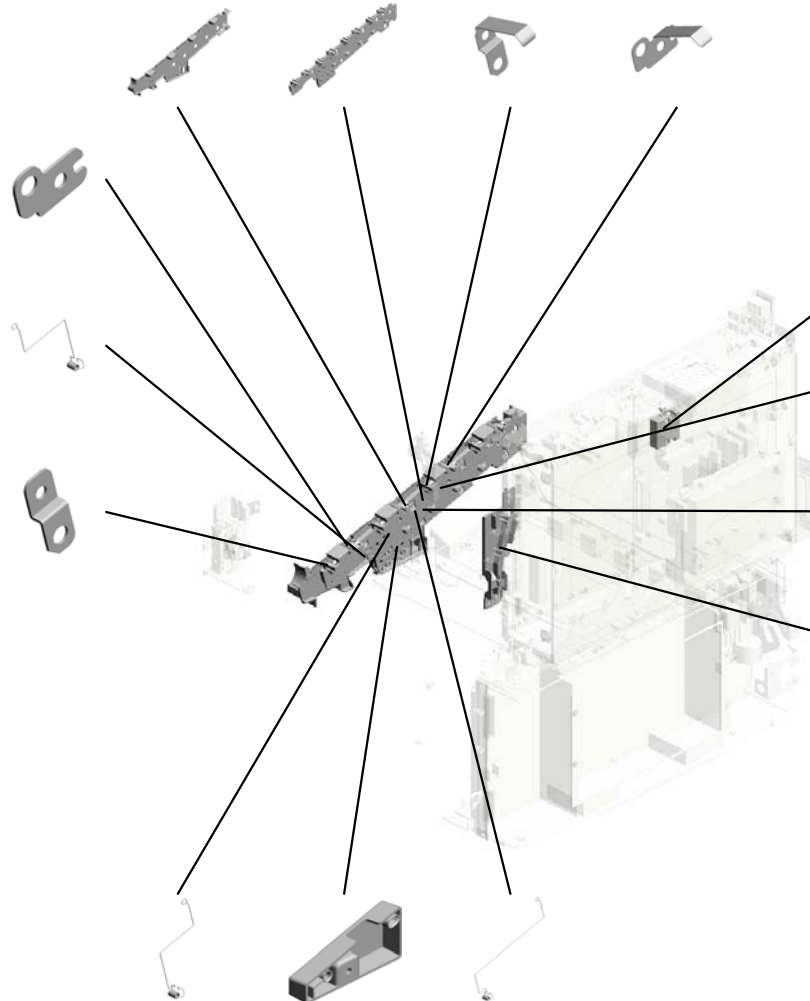
71.M0265894 INNER COVER:TE  
RMINAL  
66.M0265888 TERMINAL:POWER  
PACK  
63.M0265884 (x4)  
SPRING PLATE:CH  
ARGE  
64.M0265886 (x4)  
SPRING PLATE:DE  
VELOPMENT



72.M0265895  
(x4)  
PLATE:SPRING PL  
ATE:DEVELOPME  
NT

67.M0265889  
WIRE:HIGH VOLTA  
GE:DEVELOPME  
NT:K

74.M0265897  
PLATE:SPRING PL  
ATE:CHARGE



75.M0269590  
NV-RAM

70.M0265893  
WIRE:HIGH VOLTA  
GE:DEVELOPME  
NT:Y

65.M0265887  
(x5)  
TERMINAL:TRANS  
FER UNIT

76.M0281168  
COVER:DRIVE UNI  
T:SYNCHRONOUS  
BELT

68.M0265891  
WIRE:HIGH VOLTA  
GE:DEVELOPME  
NT:C

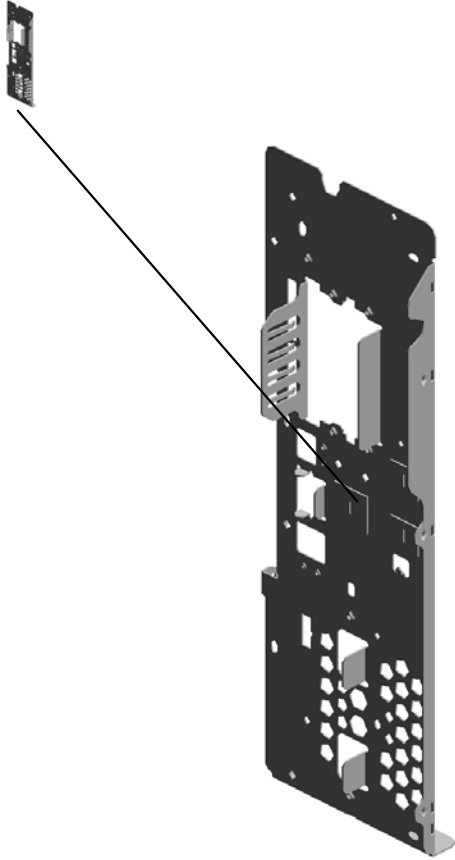
73.M0265896  
INNER COVER:GU  
ARD:HARNESS

69.M0265892  
WIRE:HIGH VOLTA  
GE:DEVELOPME  
NT:M

U001	U002	U003	U004	U005	U006	U007	U008	U009	U010	U011	U012	U013	U014	U015	U016	U017
------	------	------	------	------	------	------	------	------	------	------	------	------	------	------	------	------

U016\_S001  
PANEL:CTL

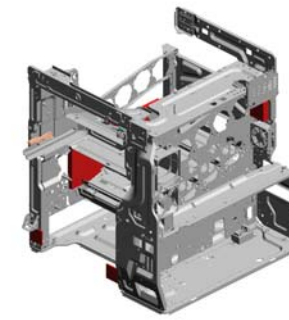
36.M0265655  
PANEL:CTL



35.M0265652  
PANEL:CTL

U001	U002	U003	U004	U005	U006	U007	U008	U009	U010	U011	U012	U013	U014	U015	U016	U017
------	------	------	------	------	------	------	------	------	------	------	------	------	------	------	------	------

# U017 MAIN FRAME



- 10.AB017800 GEAR:DRIVE UNIT: TRAY:COUPLING
- 18.M0261067 LEVER:LOCK:FUSI NG UNIT:FRONT
- 20.M0261117 LEVER:GUIDE PLA TE:UPPER
- 6.04543008Q (x14) TAPPING SCREW:
- 3.04513006N (x85) TAPPING SCREW - 3X8

9.AA143584 STEPPED SCREW: M3X2

8.08025320 HEXAGON HEAD T APPING SCREW:E S:3X10

19.M0261069 LEVER:LOCK:FUSI NG UNIT:REAR

17.M0261063 GUIDE PLATE:FUSI NG:REAR

14.B2591106 FAN MOTOR:MM80 :DC24V 3.6W

5.04543006Q (x55) TAPPING SCREW - M3X6

15.G0201332 (x2) HINGE - FRONT C OVER

7.04543020Q (x2) TAPPING SCREW:: 3X20

13.AX640206 FAN MOTOR:DC 1. 44W

11.AX640194 (x4) FAN MOTOR - DC 2 .16W

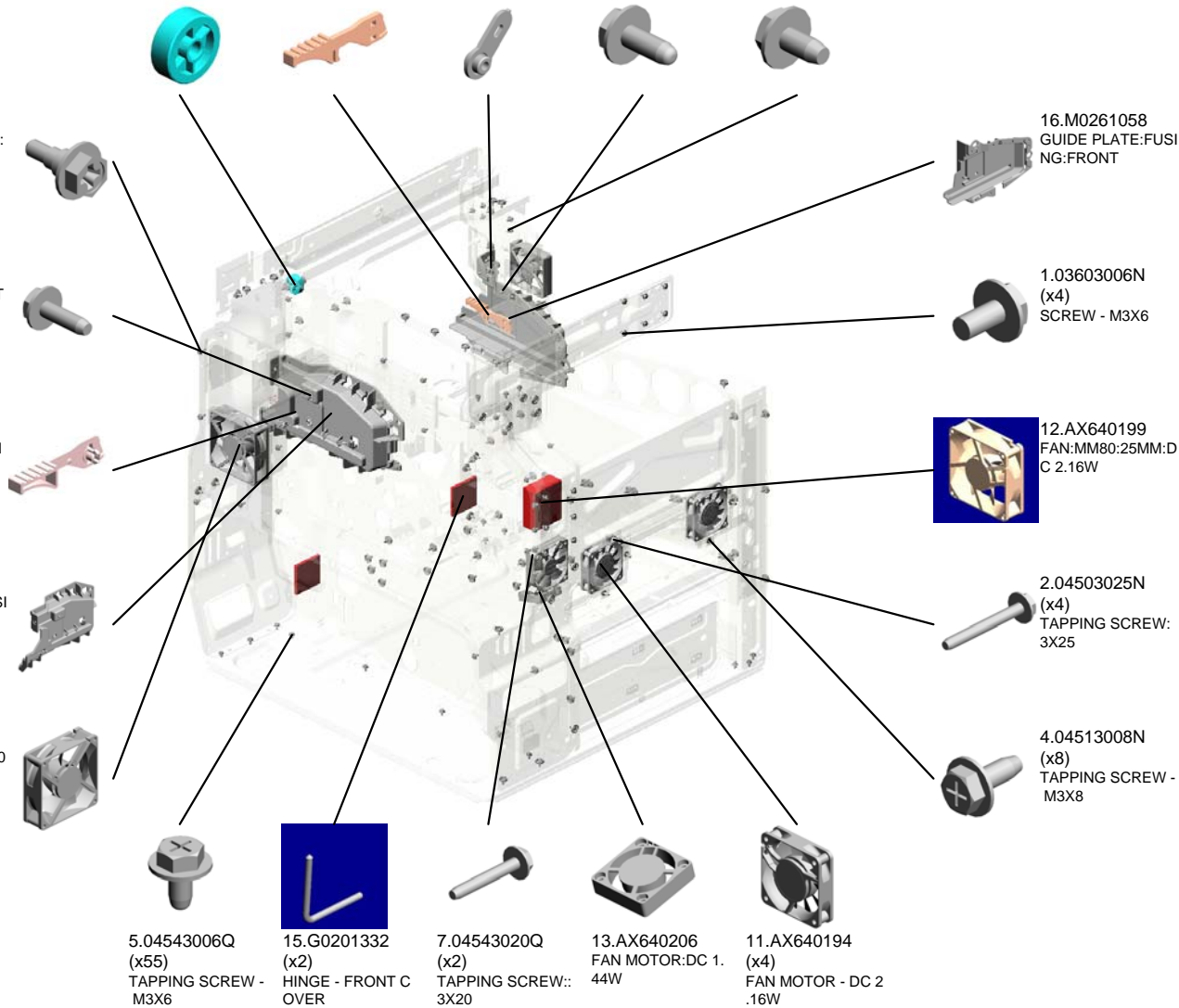
16.M0261058 GUIDE PLATE:FUSI NG:FRONT

1.03603006N (x4) SCREW - M3X6

12.AX640199 FAN:MM80:25MM:D C 2.16W

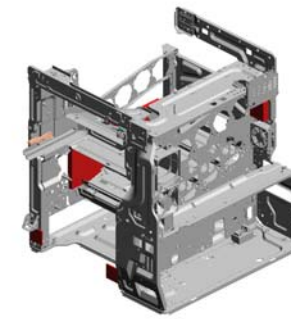
2.04503025N (x4) TAPPING SCREW: 3X25

4.04513008N (x8) TAPPING SCREW - M3X8



# U017 MAIN FRAME

25.M0261351 DUCT:FUSING:UPPER  
 36.M0281196 COVER:GEAR:REVERSE SUB-UNIT  
 28.M0261354 SHEET:DAMPING INSULATION:DUCT:LOWER  
 32.M0261366 DUCT:PAPER EXIT UNIT:FRONT  
 21.M0261118 LEVER:GUIDE PLATE:LEFT



27.M0261353 SHEET:DAMPING INSULATION:DUCT:UPPER

26.M0261352 DUCT:FUSING:LOWER

33.M0261371 DUCT:DRIVE UNIT

22.M0261302 DRUM STAY:FRAME:ASSY

29.M0261356 DUCT:DEVELOPMENT UNIT:FRONT

31.M0261358 (x2) GUARD:FAN:DEVELOPMENT UNIT

23.M0261330 HINGE:LEFT

24.M0261331 HINGE:RIGHT

30.M0261357 DUCT:DEVELOPMENT UNIT:REAR

34.M0262450 (x4) RAIL:PCU:ASSY

35.M0262455 GUIDE:PCU

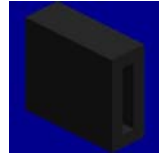
## ACCESSORIES



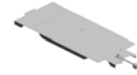
1.04573008N  
TAPPING SCREW - M3X8



2.11500433  
POWER SUPPLY CODE:125V:15A:NA



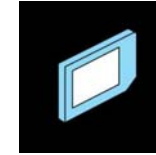
3.AX310049  
TOTAL COUNTER:7FIG:24V



4.M0262727  
(x2)  
HEAT SINK:HEATER:NA



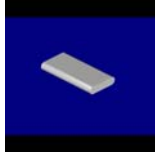
5.M0262939  
DECAL:PAPER TRAY:SIZE INDICATI  
ON



6.M0265737  
SD-CARD:VM/CALYPSO



7.M0266890  
DECAL:CAUTION:ORIGINAL:ENGLIS  
H

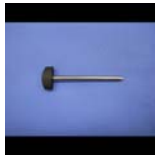


8.M0521563  
GASKET:BRACKET:REAR:SMALL

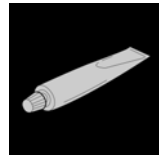
## SPECIAL TOOLS



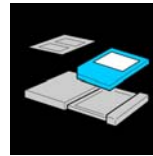
1.52039502  
Silicon Grease G-501



2.A1849501  
OPTICS ADJUSTMENT TOOL (2pcs/s  
et)



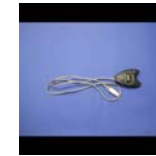
3.A2579300  
Grease Barrierta - S552R



4.B6455010  
SD Card



5.B6456705  
PCMCIA Card Adapter



6.B6456820  
USB Reader/Writer



7.B6795100  
Plug - IEEE1284 Type C



8.C4019503  
20X Magnification Scope



9.D0159500  
G104 YELLOW TONER



10.G0219350  
Loop-back Connector - Parallel



11.VSSM9000  
Digital Multimeter - FLUKE87

## DECALS AND DOCUMENTS



1.AA001527  
PLATE:LOGOTYPE:GES



2.AA001531  
PLATE:LOGO:LAN



3.AA001532  
PLATE:LOGO:RIC



4.GA001067  
PLATE:LOGOTYPE:SVN



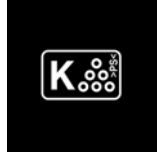
5.GA003030  
DECAL - SHIELDING PLATE Y



6.GA003031  
DECAL - SHIELDING PLATE M



7.GA003032  
DECAL - SHIELDING PLATE C



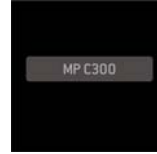
8.GA003033  
DECAL - SHIELDING PLATE K



9.M0226801  
DECAL:MODEL NAME PLATE:Z-C1A:  
RIC:EXP



10.M0226802  
DECAL:MODEL NAME PLATE:Z-C1A:  
SVN



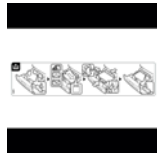
11.M0226803  
DECAL:MODEL NAME PLATE:Z-C1A:  
GES:NA



12.M0226804  
DECAL:MODEL NAME PLATE:Z-C1A:  
LAN:NA



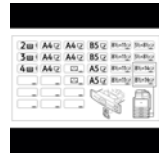
13.M0262691  
DECAL:SCALE:MANUAL FEED



14.M0262936  
DECAL:PAPER SET DIRECTION:TRA  
Y:LEFT



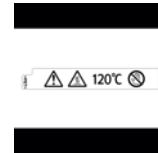
15.M0262938  
DECAL:COVER:PAPER TRAY



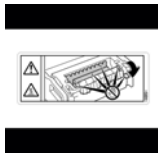
16.M0262939  
DECAL:PAPER TRAY:SIZE INDICATI  
ON



17.M0262993  
DECAL:SIDE FENCE:MANUAL FEED



18.M0264296  
DECAL:H-TEMP WARNING:FUSING:1



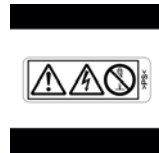
19.M0264298  
DECAL:H-TEMP WARNING:FUSING:3



20.M0264299  
DECAL:H-TEMP WARNING:FUSING:2



21.M0264686  
DECAL:TRANSFER:HOLDER



22.M0266365  
DECAL:WARNING (HIGH VOLTAGE)



23.M0266801  
DECAL:MODEL NAME:M026:RIC



24.M0266802  
DECAL:MODEL NAME:M026:SVN



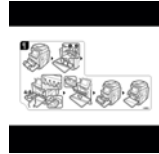
## DECALS AND DOCUMENTS



25.M0266803  
DECAL:MODEL NAME:M026:GES:NA



26.M0266804  
DECAL:MODEL NAME:M026:LAN:NA



27.M0266850  
DECAL:CLEANING:SHIELD GLASS



28.M0266880  
DECAL:COLORED DISPLAY:INNER C  
OVER:C



29.M0266881  
DECAL:COLORED DISPLAY:INNER C  
OVER:M



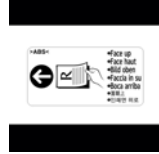
30.M0266882  
DECAL:COLORED DISPLAY:INNER C  
OVER:Y



31.M0266883  
DECAL:COLORED DISPLAY:INNER C  
OVER:BK



32.M0266890  
DECAL:CAUTION:ORIGINAL:ENGLIS  
H



33.M3646021  
DECAL:ORIGINAL TABLE



34.M3646031  
DECAL:ORIGINAL SCALE:INNER BA  
CK



35.M3646032  
DECAL:ORIGINAL SCALE:FRONT



36.M3646041  
DECAL:SIDE FENCE



37.M3646051  
DECAL:LEVER:KNOB

## Exclusive Parts

Number	Part Name	Group	ID
52039502	Silicon Grease G-501	SPECIAL TOOLS	1
52062686	SNAP RING	U006	12
		U006_S002	12
		U007_S003	3
52152621	SNAP RING - M6	U013	12
54421924	EXPOSURE GLASS CUSHION	U004	5
54472681	SNAP RING	U013	13
A1849501	OPTICS ADJUSTMENT TOOL (2pcs /set)	SPECIAL TOOLS	2
A2222724	EXTERNAL CIRCLIP - MM8	U003	15
A2579300	Grease Barrierta - S552R	SPECIAL TOOLS	3
A2596754	BUSHING - 6 6MM	U013	14
A2672857	SPRING PLATE - SIDE FENCE	U006_S003_S002	13
A2672859	SIDE FENCE STOPPER	U006_S003_S002	14
A2672860	REAR LEVER STOPPER	U006_S003_S002	15
A3344678	RACK SHIELD MYLAR	U003_S003	16
AA001527	PLATE:LOGOTYPE:GES	DECALS AND DOCUMENTS	1
AA001531	PLATE:LOGO:LAN	DECALS AND DOCUMENTS	2
AA001532	PLATE:LOGO:RIC	DECALS AND DOCUMENTS	3
AA010121	FILTER:IMAGE FORMING MD	U001	2
AA010122	FILTER:REAR	U001	3
AA043319	TIMING BELT - 40S2M156	U003	17
AA043338	TIMING BELT:DRIVE UNIT:50S3M351	U015_S003	14
AA043339	TIMING BELT:PAPER EXIT:40S2M122	U015_S004	15
AA043601	TIMING BELT - B40S2M118	U015_S005	16
AA043603	TIMING BELT:B40S2M128	U003	18
AA043613	TIMING BELT - 40S3M177	U015_S005	17
AA060691	TENSION SPRING	U006_S002	16
AA060979	TENSION SPRING:TENSION:14720 MN	U004	6
AA060980	TENSION SPRING:TENSION:11300 MN	U004	7
AA060989	SPRING:FUSING EXIT:PRESSURE	U012_S001	12

Number	Part Name	Group	ID
AA061035	COIL SPRING:PRESSURE:55N	U012_S001	13
AA062257	SPRING:UN LOCK	U006_S001	17
AA063460	COMPRESSION SPRING:OIL SUPPLY ROLLER	U012_S001	14
		U012_S001	15
AA063461	COMPRESSION SPRING:BELT TENSIONER	U012_S001	15
AA082075	BUSHING - M6	U006	18
		U013	15
AA082101	BUSHING - 6X10X6	U003	19
		U006_S002_S002	19
		U009_S001	1
		U013	16
		U014	4
		U015	18
		U015_S001	18
AA082102	BUSHING - 6X10X6	U013	17
AA082143	BUSHING - 6X10X6	U006_S002	20
AA082144	BUSHING - 8X12X7	U004	8
AA082150	PLAIN SHAFT BEARING:M6	U006_S002	21
AA083014	ONE-WAY CLUTCH	U013	18
AA100014	RETAINING RING C - SEPARATE	U006_S002	22
AA132207	SPACER - M7	U010	7
AA132208	SPACER - M6	U003	20
AA132225	SPACER:DIA10XDIA15X1	U003_S003	21
AA143499	STEPPED SCREW	U016	12
AA143584	STEPPED SCREW:M3X2	U001	4
		U017	9
AA143593	SCREW:M4X4	U012_S001	16
AA143788	PIN:GUIDE PLATE:PAPER FEED	U003	22
AA143792	SCREW:DRAWER	U012_S001	17
AA143867	SCREW:DIA4:M3	U012_S001	18
AA145294	PARALLEL PIN - 2X12MM	U015	19
AA161163	CUSHION	U006	23
AA161167	BUSHING:HDD	U016	13
AB010156	GEAR:SEPARATE:DRIVE	U006_S002	24
AB010157	GEAR:SEPARATE:DRIVEN	U006_S002	25
AB010390	GEAR:DRIVE:ON-OFF:SECOND	U015	20

## Exclusive Parts

Number	Part Name	Group	ID
AB011218	GEAR - ROLLER CLUTCH	U006_S002	26
AB011252	GEAR - 20Z	U006_S002	27
		U013	19
AB011258	GEAR - 38Z	U015_S005	21
AB011259	GEAR - 32Z	U015_S005	22
AB011416	GEAR - 20Z	U013	20
AB012063	GEAR:IDLER:FUSING UNIT:Z31	U012_S001	19
AB012064	GEAR:IDLER:Z23	U012_S001	20
AB012065	GEAR:PRESSURE ROLLER:Z27	U012_S001	21
AB012066	GEAR:HOT ROLLER:MECHANICAL ROLLER CLUTCH:Z25	U012_S001	22
AB017784	GEAR:ON-OFF:TRANSFER:NO.1	U015_S001	23
AB017785	GEAR:ON-OFF:TRANSFER:NO.2	U015_S001	24
AB017786	GEAR:SLOW DOWN:ON-OFF:SECOND	U015	25
AB017787	GEAR:IDLER:ON-OFF:SECOND	U015	26
AB017788	GEAR:TRANSPORT	U015_S005	27
AB017789	GEAR:REGISTRATION:COUPLING	U015_S005	28
AB017790	GEAR:DUPLEX:DRIVE	U015_S005	29
AB017792	GEAR:DRIVE UNIT:FUSING:NO.2	U015_S003	30
AB017793	GEAR:DRIVE UNIT:FUSING:NO.3	U015_S003	31
AB017794	GEAR:DRIVE UNIT:FUSING:NO.4	U015_S003	32
AB017795	GEAR:DRIVE UNIT:PAPER EXIT:NO.1	U015	33
AB017796	GEAR:PAPER EXIT UNIT:NO.2	U015_S004	34
AB017797	GEAR:PAPER EXIT UNIT:NO.3	U015_S004	35
AB017798	GEAR:PAPER EXIT UNIT:NO.4	U015_S004	36
AB017799	GEAR:REVERSE:COUPLING	U015_S004	37
AB017800	GEAR:DRIVE UNIT:TRAY:COUPLING	U017	10
AB017816	GEAR:DRIVE UNIT:FUSING:NO.1	U015_S003	38
AB030828	PULLEY:DRIVE UNIT:FUSING:TIGHTENER	U015_S003	39
AC012069	EXPOSURE GLASS	U004	9
AC030177	MIRROR:NO.1	U004_S001	10
AC030178	MIRROR:NO.2	U004_S002	11
AE010076	HOT ROLLER	U012_S001	23
AE012037	HEAT ROLLER	U012_S001	24

Number	Part Name	Group	ID
AE020179	PRESSURE ROLLER	U012_S001	25
AE030066	BALL BEARING:MM25XMM32X7	U012_S001	26
AE030069	BALL BEARING:DIA12XDIA21X7	U012_S001	27
AE030074	BALL BEARING:DIA17XDIA26X5	U012_S001	28
AE031045	BUSHING - BELT TENSION ROLLER	U012_S001	29
AE031061	FRONT BUSHING - OIL SUPPLY ROLLER	U012_S001	30
AE031062	REAR BUSHING - OIL SUPPLY ROLLER	U012_S001	31
AE032030	BUSHING - 20X25	U012_S001	32
AE040074	OIL SUPPLY ROLLER:DIA18	U012_S001	33
AE040075	ROLLER:BELT TENSIONER	U012_S001	34
AE042087	CLEANING ROLLER:OIL SUPPLY ROLLER	U012_S001	35
AF013006	BOTTOM PLATE PAD	U006_S003_S003	28
AF030049	PICK-UP ROLLER	U013	21
AF030090	PAPER FEED ROLLER:PICKUP	U006_S002	29
AF030363	PICKUP ROLLER	U003	23
AF031046	FEED ROLLER - MANUAL FEED	U013	22
AF031090	PAPER FEED ROLLER:FEED	U006_S002	30
AF032046	SEPARATION ROLLER - MANUAL FEED	U013	23
AF032090	PAPER FEED ROLLER:SEPARATE	U006_S002	31
AF040571	GUIDE ROLLER	U006	32
AG070516	MAGNET CATCH:18N:ASS'Y	U013	24
AW010107	PAPER FEED SENSOR	U006	33
		U006_S002	33
		U013	25
AW010118	PAPER FEED SENSOR	U010	8
AW010127	PAPER FEED SENSOR	U014	5
AW010146	PHOTO REFLECTION SENSOR:PAPER FEED	U006_S002	34
AW020141	PHOTOINTERRUPTOR	U003	24
AW020145	PHOTOINTERRUPTOR:FLAT	U004	12
		U006_S002	35
		U011	3
		U013	26

## Exclusive Parts

Number	Part Name	Group	ID
AW100105	THERMISTOR:FUSING	U012_S001	36
AW100106	THERMOPILE	U012	37
AW100129	THERMISTOR:PRESSURE	U012_S001	38
AW110090	THERMOSTAT:WELDING	U012_S001	39
AW110093	THERMOSTAT:WELDING	U012_S001	40
AW140012	TEMPERATURE & HUMIDITY SENSOR	U016	14
AW500023	PUSH SWITCH	U011	4
		U013	27
		U016	15
AW500031	PAPER SIZE SENSOR	U013_S001	28
AW500035	PAPER END SENSOR	U013	29
AW500038	PUSH SWITCH:PAPER SIZE SENSOR	U006	36
AX040154	DC MOTOR 24V	U006	37
AX060385	DC BRUSHLESS MOTOR:FUSING/EXIT:19.5W	U015_S003	40
AX060387	DC BRUSHLESS MOTOR:DEV:COLOR:40W	U015_S001	41
AX060388	DC BRUSHLESS MOTOR:DRUM:COLOR:25W	U015_S001	42
AX060389	DC BRUSHLESS MOTOR:DRUM:BLACK:31W	U015_S001	43
AX200319	MAGNETIC CLUTCH:DEVELOPMENT	U015_S001	44
AX210103	MAGNETIC CLUTCH:0.25N	U003	25
AX310049	TOTAL COUNTER:7FIG:24V	ACCESSORIES	3
AX440311	HEATER:120V:550W/450W	U012_S001	41
AX440312	HEATER:120V:300W	U012_S001	42
AX640170	FAN MOTOR - MM60 DC24V	U003	26
AX640194	FAN MOTOR - DC 2.16W	U017	11
AX640197	FAN:MM60:DC 0.6W	U016	16
AX640199	FAN:MM80:25MM:DC 2.16W	U017	12
AX640206	FAN MOTOR:DC 1.44W	U017	13
AZ240153	POWER SUPPLY UNIT:100-127V:395W	U016	17
AZ300131	POWER PACK:D	U013	30
AZ320201	POWER PACK:CB	U016	18

Number	Part Name	Group	ID
AZ320206	POWER PACK:T1T2	U016	19
B0042310	SPUR	U010	9
B0042923	SPRING PLATE - RELEASE LEVER	U006_S003_S001	38
B0241264	MAGNET CATCH	U001_S001	5
B1541826	COVER:SENSOR:AKS	U004	13
B1801704	BRACKET:TENSION	U004	14
B2231144	HOLDER:POSITIONING SENSOR	U015_S001	45
B2232608	GEAR:Z16	U013	31
B2232676	SPRING - 11N	U013	32
B2232689	GEAR:Z28	U013	33
B2232730	PAPER TRAY STOPPER ASS'Y	U006_S001	39
B2232767	PAPER END FEELER	U006_S002	40
B2232829	FEED GUIDE	U006_S002	41
B2232861	GRIP HOLDER	U006_S003	42
B2232869	GROUND PLATE	U006_S003	43
B2232923	STOPPER LEVER - FRONT	U006_S003_S001	44
B2232936	GEAR - 16Z	U006_S003	45
B2234428	ROLLER:GUIDE:PFA	U013	34
B2234433	ROLLER - DIA16	U013	35
B2234464	TIMING PULLEY:23T	U013	36
B2234494	STOPPER- UPPERGATE PAWL	U013	37
		U014	6
B2234536	TIMING BELT:30S2M234	U013	38
B2381534	LCD SPACER A	U002_S001	3
B2381535	LCD SPACER B	U002_S001	4
B2381715	STEPPER MOTOR DC3.9V	U004	15
B2381792	TIMING BELT - 157ST1.5-4.0	U004	16
B2381806	IDLER PULLEY	U004	17
B2381807	PULLEY	U004_S002	18
B2382655	GEAR - 16Z	U006	46
B2382675	REGISTRATION ROLLER BUSHING	U006	47
B2382676	TENSION SPRING	U015_S005	46
B2384197	LEVER:LOCK:PRESSURE	U012_S001	43
B2384365	LENS HOLDER	U012	44
B2384366	LENS COVER	U012	45
B2591106	FAN MOTOR:MM80:DC24V 3.6W	U017	14
B2591367	COVER MAGNET	U001	6

## Exclusive Parts

Number	Part Name	Group	ID
		U001_S002	6
B3901759	SHAFT:SCALE	U004	19
B6455010	SD Card	SPECIAL TOOLS	4
B6456705	PCMCIA Card Adapter	SPECIAL TOOLS	5
B6456820	USB Reader/Writer	SPECIAL TOOLS	6
B6795100	Plug - IEEE1284 Type C	SPECIAL TOOLS	7
B7003125	TIMING BELT:B40S2M232	U003	27
B7893716	TENSION SPRING - GATE PAWL	U003	28
B7894257	PULLEY FLANGE	U003	29
B7894332	PULLEY - 34T	U003	30
B8332567	TENSION SPRING	U015_S003	47
B8722529	COLLAR:PICKUP	U003	31
C4019503	20X Magnification Scope	SPECIAL TOOLS	8
D0094485	BUSHING - GATE	U013	39
D0159500	G104 YELLOW TONER	SPECIAL TOOLS	9
D0291484	TOUCH PANEL:WVGA:FU-ACF	U002_S001	5
D0291745	PULLEY:DRIVE WERE:FRONT	U004	20
D0291748	PULLEY:DRIVE WERE:REAR:ASS'Y	U004	21
D0291749	PULLEY:PROTECTION	U004	22
D0295792	HDD:WD:160GB:63N9A0	U016	20
D0391253	BAND:COVER:FRONT	U001	7
D0391254	SPRING PLATE:BAND	U001	8
D0391259	SHAFT:COVER:FRONT	U001	9
D0391751	HOLDER:EXPOSURE GLASS	U004	23
D0392752	DISC:SIDE FENCE	U013_S001	40
D0392823	COMPRESSION SPRING:SIDE FENCE:PLATE:FRONT	U006_S003_S001	48
D0394539	GUIDE PLATE:GUIDE PLATE:ROLLER:DRIVEN	U013	41
D0395846	SPRING:SAFETY SWITCH:FRONT	U016	21
D0895795	SD-CARD:Z-V4:EXP:ASS'Y	U016	22
D3664242	TORQUE LIMITER - 24T	U003	32
G0201332	HINGE - FRONT COVER	U017	15
G0219350	Loop-back Connector - Parallel	SPECIAL TOOLS	10
G0602652	BUSHING - M4	U013	42
G0652767	LEVER - FEED	U006_S002	49
G0802900	TORQUE LIMITER	U013	43

Number	Part Name	Group	ID
G1024203	ROLLER:LEVER:PRESSURE	U012_S001	46
G1024661	COVER:FUSING:ENTRANCE SENSOR	U010	10
G1026292	LEVER:PRESSURE:TRANSFER UNIT	U010	11
G1026293	SPRING:TRANSFER UNIT:LEFT	U010	12
G1026334	TENSION SPRING:CLEANER:DENSITY SENSOR	U010	13
G1026335	COVER:DENSITY SENSOR	U010	14
G1026341	SHEET:SENSOR	U010	15
G1786062	PWB:DDR2-DIMM:RAWCARD-C	U016	23
G1786072	PCB:PC4200:RAWCARD-A:1GB:ASS'Y	U016	24
G4042810	SPRING PLATE - 2ND MIRROR	U004_S002	24
G5701133	TIMING PULLEY 73	U004	25
G5701225	SENSOR SHIELDING PLATE	U003	33
		U004	26
GA001067	PLATE:LOGOTYPE:SVN	DECALS AND DOCUMENTS	4
GA003030	DECAL - SHIELDING PLATE Y	DECALS AND DOCUMENTS	5
		U016	25
GA003031	DECAL - SHIELDING PLATE M	DECALS AND DOCUMENTS	6
		U016	26
GA003032	DECAL - SHIELDING PLATE C	DECALS AND DOCUMENTS	7
		U016	27
GA003033	DECAL - SHIELDING PLATE K	DECALS AND DOCUMENTS	8
		U016	28
GW010007	PHOTO REFLECTION SENSOR:EXIT	U003	34
GW020020	PHOTOINTERRUPTOR:LG248NL1	U015	48
		U015_S001	48
H0532208	BUSHING - M4	U013	44
H3101360	PAD:PICKUP	U003	35
M0226400	WASTE TONER BOTTLE	U011_S001	5

## Exclusive Parts

Number	Part Name	Group	ID
M0226801	DECAL:MODEL NAME PLATE:Z-C1 A:RIC:EXP	DECALS AND DO CUMENTS	9
M0226802	DECAL:MODEL NAME PLATE:Z-C1 A:SVN	DECALS AND DO CUMENTS	10
M0226803	DECAL:MODEL NAME PLATE:Z-C1 A:GES:NA	DECALS AND DO CUMENTS	11
M0226804	DECAL:MODEL NAME PLATE:Z-C1 A:LAN:NA	DECALS AND DO CUMENTS	12
M0261033	HOLDER:CLUTCH:DEVELOPMENT	U015_S001	49
M0261049	BRACKET:ON-OFF:TRANSFER	U015_S001	50
M0261058	GUIDE PLATE:FUSING:FRONT	U017	16
M0261063	GUIDE PLATE:FUSING:REAR	U017	17
M0261067	LEVER:LOCK:FUSING UNIT:FRON T	U017	18
M0261069	LEVER:LOCK:FUSING UNIT:REAR	U017	19
M0261117	LEVER:GUIDE PLATE:UPPER	U017	20
M0261118	LEVER:GUIDE PLATE:LEFT	U017	21
M0261126	SHIELDING PLATE:ON-OFF:SECO ND	U015	51
M0261127	CAM:ON-OFF:TRANSFER:SECOND	U015	52
M0261130	BRACKET:SENSOR:ON-OFF:SECO ND	U015	53
M0261135	DRIVE UNIT:DRUM:DEVELOPMEN T:TRANSFER	U015_S001	54
M0261165	DRIVE UNIT:FUSING	U015_S003	55
M0261180	DRIVE UNIT:PAPER FEED	U015_S005	56
M0261186	GUIDE:HARNESS	U016	29
M0261188	DC STEPPER MOTOR:PAPER FEE D:0.94W	U015_S005	57
M0261189	DC STEPPER MOTOR:TRANSPOR T:1.56W	U015_S005	58
M0261190	DC STEPPER MOTOR:REGIST:1.3 4W	U015_S005	59
M0261192	JOINT:PAPER FEED:DRIVE	U015_S005	60
M0261193	SHAFT:PAPER FEED:DRIVE	U015_S005	61
M0261194	SHAFT:TRANSPORT:DRIVE	U015_S005	62
M0261250	COVER:FRONT:ASS'Y	U001_S001	10
M0261252	BRACKET:HINGE:RIGHT	U001	11

Number	Part Name	Group	ID
M0261254	BRACKET:HINGE:LEFT	U001	12
M0261255	COVER:UPPER:INNER BACK: SMA LL	U001	13
M0261256	COVER:UPPER:INNER BACK	U001	14
M0261257	COVER:UPPER:EXIT	U001	15
M0261258	COVER:UPPER:FRONT	U001	16
M0261259	CAP:DIA18	U001	17
M0261260	COVER:RIGHT:REAR	U001	18
M0261262	COVER:RIGHT:UPPER	U001	19
M0261263	BRACKET:COVER:RIGHT:UPPER	U001	20
M0261264	COVER:RIGHT FRONT:LOWER	U001	21
M0261265	CAP:TOTAL COUNTER	U001	22
M0261267	BRACKET:BAND	U001	23
M0261268	CLEANER:SHIELD GLASS	U001	24
M0261271	COVER:LEFT	U001	25
M0261272	GRIP:UPPER	U001	26
M0261274	COVER:LEFT:UPPER	U001	27
M0261275	COVER:LEFT:RACK	U001	28
M0261276	CAP:LOUVER:LEFT	U001	29
M0261278	COVER:UPPER	U001	30
M0261279	COVER:UPPER:AUXILIARY	U001	31
M0261280	COVER:REAR:UPPER	U001	32
M0261281	COVER:REAR:LOWER	U001	33
M0261282	CAP:LOUVER:MM80	U001	34
M0261285	INNER COVER:TONER BOTTLE	U001_S002	35
M0261288	INNER COVER:RIGHT UPPER	U001	36
M0261289	INNER COVER:RIGHT LOWER	U001	37
M0261290	INNER COVER:LEFT UPPER	U001	38
M0261291	INNER COVER:LEFT LOWER	U001	39
M0261296	COVER:SCANNER:REAR	U001	40
M0261297	COVER:SCANNER:RIGHT	U001	41
M0261298	COVER:SCANNER:LEFT	U001	42
M0261299	COVER:SCANNER:FRONT	U001	43
M0261302	DRUM STAY:FRAME:ASS'Y	U017	22
M0261330	HINGE:LEFT	U017	23
M0261331	HINGE:RIGHT	U017	24
M0261351	DUCT:FUSING:UPPER	U017	25
M0261352	DUCT:FUSING:LOWER	U017	26

## Exclusive Parts

Number	Part Name	Group	ID
M0261353	SHEET:DAMPING INSULATION:DU CT:UPPER	U017	27
M0261354	SHEET:DAMPING INSULATION:DU CT:LOWER	U017	28
M0261356	DUCT:DEVELOPMENT UNIT:FRON T	U017	29
M0261357	DUCT:DEVELOPMENT UNIT:REAR	U017	30
M0261358	GUARD:FAN:DEVELOPMENT UNIT	U017	31
M0261366	DUCT:PAPER EXIT UNIT:FRONT	U017	32
M0261371	DUCT:DRIVE UNIT	U017	33
M0261440	OPERATION PANEL:NA:ASS'Y	U002_S001	6
M0261452	PCB:KEY:SUB:ASS'Y	U002_S001	7
M0261458	PCB:KEY:MAIN:ASS'Y	U002_S001	8
M0261482	CABLE:FFC:LCD	U002_S001	9
M0261483	CABLE:FFC:KEY:MAIN	U002_S001	10
M0261484	CABLE:FFC:KEY:SUB	U002_S001	11
M0261495	PCB:LCDC:NA:FT	U002_S001	12
M0261498	LCD:TFT:W-VGA:MV	U002_S001	13
M0261515	HINGE:ASS'Y	U002_S001	14
M0261516	COVER:HINGE:LEFT	U002_S001	15
M0261517	COVER:HINGE:RIGHT	U002_S001	16
M0261518	COVER:HINGE:UPPER	U002	17
M0261519	COVER:HINGE:LOWER	U002_S001	18
M0261520	COVER:HINGE:MIDDLE	U002_S001	19
M0261523	CAP:COVER:HINGE:UPPER	U002	20
M0261524	COVER:HINGE:CLAMP	U002_S001	21
M0261532	KEYTOP:START	U002_S001	22
M0261533	KEYTOP:CLEAR/STOP	U002_S001	23
M0261534	KEYTOP:RESET SWITCH	U002_S001	24
M0261536	KEYTOP:10KEY:1:NA	U002_S001	25
M0261538	KEYTOP:10KEY:2:NA	U002_S001	26
M0261541	KEYTOP:APPLICATION:NA	U002_S001	27
M0261545	KEYTOP:OTHER:NA	U002_S001	28
M0261547	COVER:REAR	U002_S001	29
M0261548	COVER:INNER	U002_S001	30
M0261553	SHEET:JOURNAL:NA	U002_S001	31
M0261555	SHEET:LCDC	U002_S001	32
M0261556	KEYTOP:BLANK	U002_S001	33

Number	Part Name	Group	ID
M0261700	SCALE:INNER BACK:PRINTING	U004	27
M0261705	SCALE:LEFT:NA	U004	28
M0261711	SCALE:MAIN	U004	29
M0261712	EXPOSURE GLASS:DOCUMENT F EEDER:ASS'Y	U004	30
M0261721	GUIDE:HARNESS	U004	31
M0261730	HOLDER:HINGE:LEFT	U004	32
M0261732	HOLDER:HINGE:RIGHT	U004	33
M0261733	BRACKET:HOLDER:HINGE	U004	34
M0261751	HOLDER:LENS:ASS'Y	U004	35
M0261762	SHAFT:SCANNER:DRIVE	U004	36
M0261764	DRIVE WERE:DIA1	U004	37
M0261768	BRACKET:DC STEPPER MOTOR	U004	38
M0261771	CARRIAGE:NO.2:ASS'Y	U004_S002	39
M0261778	GUIDE:FFC	U004_S002	40
M0261791	INNER COVER:SCANNER	U004	41
M0261800	CARRIAGE:NO.1:ASS'Y	U004_S001	42
M0261802	ILLUMINATION UNIT:LED-B:ASS'Y	U004_S001_S001	43
M0261805	REFLECTOR:SCANNER	U004_S001 U004_S001_S001	44 44
M0261812	GUIDE:HARNESS:LED-B	U004_S001	45
M0261813	CLAMP:WIRE	U004_S001	46
M0261814	SHEET:GUIDE:HARNESS:LED-B	U004_S001	47
M0261815	CLAMP:MIRROR:NO.1	U004_S001	48
M0261855	IMAGING UNIT:SERVICE PARTS	U005	1
M0262010	PCDU:BK	U008_S001	5
M0262011	PCDU:C	U008_S002	6
M0262012	PCDU:M	U008_S003	7
M0262013	PCDU:Y	U008_S004	8
M0262014	PCU:BK:ASS'Y	U008_S001_S001	9
M0262015	PCU:CMY:ASS'Y	U008_S002_S001 U008_S003_S001 U008_S004_S001	10 10 10
M0262255	KEY:COLLAR	U008_S001 U008_S002 U008_S003 U008_S004	11 11 11 11
M0262450	RAIL:PCU:ASS'Y	U017	34

## Exclusive Parts

Number	Part Name	Group	ID
M0262455	GUIDE:PCU	U017	35
M0262551	REGISTRATION ROLLER:DRIVE	U006	50
M0262552	REGISTRATION ROLLER:DRIVEN	U006	51
M0262553	GEAR:REGISTRATION:26Z	U006	52
M0262554	GEAR:REGISTRATION:DRIVEN:14 Z	U006	53
M0262555	TENSION SPRING:REGISTRATION :7N	U006	54
M0262567	GUIDE PLATE:REGISTRATION:RIG HT	U006	55
M0262571	CASE:REMOVE PAPER DUST	U006	56
M0262574	ROLLER:REMOVE PAPER DUST	U006	57
M0262575	CUSHION:REMOVE PAPER DUST	U006	58
M0262577	SHEET:COVER:REMOVE PAPER D UST	U006	59
M0262581	GEAR:ROLLER:REMOVE PAPER D UST	U006	60
M0262583	COVER:REMOVE PAPER DUST:AD HESION	U006	61
M0262584	SHEET:REMOVE PAPER DUST:RI GHT	U006	62
M0262585	GUIDE:HARNESS:REGISTRATION	U006	63
M0262602	GEAR:FEED:Z35	U013	45
M0262603	SHAFT:FEED	U013	46
M0262604	ARM:PICKUP	U013	47
M0262606	GUIDE:SEPARATE	U013	48
M0262610	SHAFT:SEPARATOR:DRIVEN:ASS' Y	U013	49
M0262612	COIL SPRING:PRESSURE:SEPARA TOR	U013	50
M0262614	SHAFT:SEPARATOR:DRIVE	U013	51
M0262616	BRACKET:DC SOLENOID	U013	52
M0262619	DC SOLENOID:PICKUP	U013	53
M0262621	COIL SPRING:PRESSURE:PICKUP	U013	54
M0262622	COIL SPRING:PRESSURE RELEAS E	U013	55
M0262624	GROUND PLATE:MANUAL FEED	U013	56
M0262627	COVER:GUIDE:MANUAL FEED:UP	U013	57

Number	Part Name	Group	ID
	PER		
M0262628	GUIDE:MANUAL FEED:UPPER	U013	58
M0262629	GROUND PLATE:FEED	U013	59
M0262631	PAPER STOPPER:MANUAL FEED	U013	60
M0262632	LINK:PAPER STOPPER:MANUAL F EED	U013	61
M0262633	SHAFT:PAPER STOPPER	U013	62
M0262634	SHAFT:LINK	U013	63
M0262635	TORSION SPRING:PAPER STOPP ER	U013	64
M0262636	TORSION SPRING:LINK	U013	65
M0262637	COMPRESSION SPRING:COVER	U013	66
M0262640	MANUAL FEED TABLE:ASS'Y	U013_S001	67
M0262642	COVER:MANUAL FEED	U013_S001	68
M0262643	SIDE FENCE:MANUAL FEED:FRON T	U013_S001	69
M0262644	SIDE FENCE:MANUAL FEED:REAR	U013_S001	70
M0262645	RACK:MANUAL FEED	U013_S001	71
M0262646	EXTENSION TRAY	U013_S001	72
M0262647	GEAR:SIDE FENCE	U013_S001	73
M0262648	PIN:SIDE FENCE	U013_S001	74
M0262649	COMPRESSION SPRING:EXTENSI ON TRAY:5N	U013_S001	75
M0262651	GUIDE PLATE:VERTICAL TRANSP ORT:LOWER	U013	76
M0262653	COIL SPRING:SIDE FENCE	U013_S001	77
M0262654	TENSION SPRING:SIDE FENCE:1N	U013_S001	78
M0262656	GUIDE PLATE:VERTICAL TRANSP ORT:UPPER	U013	79
M0262657	SHEET:VERTICAL TRANSPORT:SE NSOR	U013	80
M0262658	SHAFT:DRIVEN:VERTICAL TRANS PORT	U013	81
M0262661	STOPPER:MANUAL FEED:FRONT	U013	82
M0262662	STOPPER:MANUAL FEED:REAR	U013	83
M0262663	GEAR:DAMPER:MANUAL FEED TA BLE	U013	84
M0262664	GEAR:IDLER:DAMPER:Z20/Z43	U013	85



## Exclusive Parts

Number	Part Name	Group	ID
M0262665	SHAFT:MANUAL FEED TABLE	U013	86
M0262666	COVER:MANUAL FEED:LOWER	U013	87
M0262667	COIL SPRING:COVER:MANUAL FEED	U013	88
M0262691	DECAL:SCALE:MANUAL FEED	DECALS AND DOCUMENTS	13
		U013_S001	89
M0262710	SUPPORTER:LEFT:ASS'Y	U006	64
M0262714	SPACER:SEPARATE	U006	65
M0262715	SUPPORTER:RIGHT:ASS'Y	U006	66
M0262719	ROLLER:SUPPORTER:LEFT:PAPER TRAY	U006	67
M0262721	BRACKET:PUSH SWITCH	U006	68
M0262722	COVER:STOPPER:PAPER TRAY	U006	69
M0262723	BRACKET:HARNESS:HEATER	U006	70
M0262726	ROLLER:SUPPORTER:RIGHT:PAPER TRAY	U006	71
M0262727	HEAT SINK:HEATER:NA	ACCESSORIES	4
M0262750	PAPER FEED UNIT	U006_S002	72
M0262761	ARM:PICKUP	U006_S002	73
M0262763	SHAFT:FEED	U006_S002	74
M0262765	GROUND PLATE:FEED	U006_S002	75
M0262766	ROLLER:VERTICAL TRANSPORT:DRIVE	U006_S002	76
M0262768	GEAR:ROLLER:VERTICAL TRANSPORT	U006_S002	77
M0262769	JOINT:FEED	U006_S002	78
M0262780	DC SOLENOID:PICKUP:ASS'Y	U006_S002_S001	79
M0262786	GROUND PLATE:FRONT	U006_S002	80
M0262787	LEVER:PRESSURE RELEASE	U006_S002	81
M0262803	LEVER:PRESSURE:SEPARATE	U006_S002	82
M0262804	LINK:RELEASE	U006_S002	83
M0262806	TENSION SPRING:RELEASE	U006_S002	84
M0262807	TENSION SPRING:PRESSURE:SEPARATE	U006_S002	85
M0262810	SHAFT:SEPARATE:DRIVEN:ASS'Y	U006_S002_S002	86
M0262815	SHAFT:SEPARATE:DRIVE:ASS'Y	U006_S002	87
M0262828	TORQUE LIMITER	U006_S002	88

Number	Part Name	Group	ID
M0262835	GUIDE PLATE:SWIVEL	U006	89
M0262848	COVER:HARNESS	U006	90
M0262860	GRIP:PAPER TRAY	U006_S003	91
M0262865	SHAFT:RISE:ASS'Y	U006_S003	92
M0262872	TENSION SPRING:GRIP	U006_S003	93
M0262873	TENSION SPRING:GRIP:LEFT	U006_S003	94
M0262874	COMPRESSION SPRING:SIDE FENCE:PLATE:REAR	U006_S003_S001	95
M0262880	SLIDE RAIL:AUXILIARY:RIGHT:PEEN	U006_S003	96
M0262882	TENSION SPRING:SIDE FENCE	U006_S003	97
M0262884	SPACER:SLIDE RAIL	U006_S003	98
M0262885	ROLLER:SLIDER:REAR:RIGHT	U006_S003	99
M0262886	ROLLER:SLIDER:REAR:LEFT	U006_S003	100
M0262890	SLIDE RAIL:AUXILIARY:LEFT:PEEN	U006_S003	101
M0262896	ROLLER:SLIDER:FRONT	U006_S003	102
M0262900	PAPER TRAY:ASS'Y	U006_S003	103
M0262908	SPACER:TRAY	U006_S003	104
M0262910	LINK:PAPER SIZE SENSOR	U006_S003	105
M0262912	END FENCE	U006_S003	106
M0262914	ROLLER:PAPER TRAY	U006_S003	107
M0262918	LEVER:RISE	U006_S003	108
M0262920	SIDE FENCE:FRONT:ASS'Y	U006_S003_S001	109
M0262930	SIDE FENCE:REAR:ASS'Y	U006_S003_S002	110
M0262936	DECAL:PAPER SET DIRECTION:TRAY:LEFT	DECALS AND DOCUMENTS	14
		U006_S003	111
M0262938	DECAL:COVER:PAPER TRAY	DECALS AND DOCUMENTS	15
		U006_S003	112
M0262939	DECAL:PAPER TRAY:SIZE INDICATION	ACCESSORIES	5
		DECALS AND DOCUMENTS	16
M0262940	TRAY BOTTOM PLATE:ASS'Y	U006_S003_S003	113
M0262946	COVER:PAPER TRAY	U006_S003	114
M0262948	COVER:CONNECTOR	U006	115
M0262950	BRACKET:PAPER FEED UNIT	U006	116

## Exclusive Parts

Number	Part Name	Group	ID
M0262982	OIL DAMPER:30MN	U006_S004	117
		U013	90
M0262985	LEVER:STRETCH:TRAY	U006_S004	118
M0262988	CLIP:STRETCH:UNI	U006	119
M0262993	DECAL:SIDE FENCE:MANUAL FEE D	DECALS AND DO	17
		CUMENTS	
		U013_S001	91
M0263021	DEVELOPMENT UNIT:BK	U008_S001_S002	12
M0263204	TONER SUPPLY UNIT:BK	U007_S001	4
M0263205	TONER SUPPLY UNIT:C	U007	5
M0263206	TONER SUPPLY UNIT:M	U007_S003	6
M0263207	TONER SUPPLY UNIT:Y	U007	7
M0263208	DC MOTOR:LINE:ASS'Y:0.53W	U007	8
		U007_S002	8
		U007_S004	8
		U007_S005	8
M0263371	BRACKET:ARM:LEFT	U007	9
M0263372	ARM:RIGHT	U007	10
M0263373	ARM:LEFT UPPER	U007	11
M0263374	ARM:LEFT LOWER	U007	12
M0263375	TORSION SPRING:LEVER:LEFT	U007	13
M0263376	BRACKET:ARM:RIGHT	U007	14
M0263377	COMPRESSION SPRING:ARM:RIG HT:10N	U007	15
M0263380	TENSION SPRING:ARM:LEFT	U007	16
M0263800	CLEANING UNIT:ITB	U009_S001	2
M0264011	FUSING UNIT:NA:SERVICE	U012_S001	47
M0264041	TORSION SPRING:STRIPPER PLA TE	U012_S001	48
M0264106	FUSING BELT	U012_S001	49
M0264163	HOUSING:THERMOSTAT	U012_S001	50
M0264167	HOUSING:THERMOSTAT:PRESSU RE	U012_S001	51
M0264172	ELECTRODE PLATE:THERMOSTA T	U012_S001	52
M0264198	LEVER:PRESSURE:FRONT	U012_S001	53
M0264206	LEVER:PRESSURE RELEASE:FRO NT	U012_S001	54

Number	Part Name	Group	ID
M0264218	LEVER:PRESSURE:REAR	U012_S001	55
M0264226	LEVER:PRESSURE RELEASE:REA R	U012_S001	56
M0264245	BRACKET:HEATER:FUSING:FRON T	U012_S001	57
M0264247	BRACKET:HEATER:FUSING:REAR	U012_S001	58
M0264252	BRACKET:HEATER:PRESSURE:RE AR	U012_S001	59
M0264253	BRACKET:HEATER:PRESSURE:FR ONT	U012_S001	60
M0264280	FUSING COVER:UPPER	U012_S001	61
M0264283	FUSING ENTRANCE GUIDE PLATE	U012_S001	62
M0264287	FUSING COVER:LOWER	U012_S001	63
M0264291	GUIDE PLATE:FUSING EXIT:ASS'Y	U012_S001	64
M0264295	FUSING COVER:RIGHT:ASS'Y	U012_S001_S001	65
M0264296	DECAL:H-TEMP WARNING:FUSIN G:1	DECALS AND DO	18
		CUMENTS	
		U012_S001_S001	66
M0264298	DECAL:H-TEMP WARNING:FUSIN G:3	DECALS AND DO	19
		CUMENTS	
		U013	92
M0264299	DECAL:H-TEMP WARNING:FUSIN G:2	DECALS AND DO	20
		CUMENTS	
		U012_S001_S001	67
M0264308	BRACKET:THERMISTOR:PRESSU RE:ASS'Y	U012_S001	68
M0264312	STRIPPER PLATE:COAT	U012_S001	69
M0264336	ELECTRODE PLATE:REAR:M3	U012_S001	70
M0264337	ELECTRODE PLATE:REAR:M4	U012_S001	71
M0264338	ELECTRODE PLATE:TERMINAL:PR ESSURE	U012_S001	72
M0264349	HARNESS:FUSING UNIT:NA	U012_S001	73
M0264352	ELECTRODE PLATE:THERMOSTA T	U012_S001	74
M0264354	BRACKET:TERMINAL:PRESSURE	U012_S001	75
M0264357	TERMINAL:REAR	U012_S001	76
M0264359	TERMINAL:PRESSURE	U012_S001	77
M0264419	DRIVEN ROLLER:DIA16	U013	93

## Exclusive Parts

Number	Part Name	Group	ID
M0264476	STOPPER:END FENCE:EXIT	U001	44
M0264477	END FENCE:EXIT	U001	45
M0264478	COMPRESSION SPRING:END FENCE:EXIT	U001	46
M0264487	INNER COVER:EXIT	U014	7
M0264498	DECAL:END FENCE:EXIT	U001	47
M0264514	LINK:DUPLEX	U013	94
M0264521	COVER:DUPLEX	U013	95
M0264529	LEVER:CONTACT POINT:DUPLEX	U013	96
M0264530	SHAFT:CONTACT POINT:DUPLEX	U013	97
M0264531	SPACER:LINK:MANUAL FEED	U013	98
M0264538	INNER COVER:REAR:DUPLEX	U013	99
M0264539	ARM:FRONT	U013	100
M0264541	SHAFT:HOOK:STOPPER	U013	101
M0264543	HOOK:STOPPER:DUPLEX:REAR	U013	102
M0264547	BUSHING:GUIDE:DUPLEX UNIT:SET:FRONT	U013	103
M0264548	BUSHING:GUIDE:DUPLEX UNIT:SET:REAR	U013	104
M0264552	TRANSPORT ROLLER:DUPLEX	U013	105
M0264553	TRANSPORT ROLLER:FEED PAPER AGAIN	U013	106
M0264554	REVERSE ROLLER:UPPER	U013	107
M0264555	REVERSE ROLLER:RIGHT	U013	108
M0264557	GUIDE PLATE:COVER:RIGHT	U013	109
M0264558	ROLLER:DRIVEN:DIA12	U013	110
M0264559	STOPPER:DRIVEN ROLLER	U013	111
M0264561	GUIDE PLATE:OPEN AND CLOSE	U013	112
M0264563	GUIDE PLATE:TRANSFER:HOLDER	U013	113
M0264566	GATE PAWL:ENTRANCE:DUPLEX:ASSY	U013	114
M0264567	STOPPER:TRANSFER:HOLDER	U013	115
M0264569	GATE PAWL:TRAY:RIGHT	U013	116
M0264570	GUIDE PLATE:V TRANSPORT:DUPLEX	U013	117
M0264573	GATE PAWL:UPPER	U013	118
M0264576	SHAFT:DRIVEN:DUPLEX:EXIT	U013	119

Number	Part Name	Group	ID
M0264578	GUIDE PLATE:UPPER:DUPLEX	U013	120
M0264581	GEAR:IDLER:Z40	U013	121
M0264583	PULLEY:FEED PAPER AGAIN:T26	U013	122
M0264584	TIMING BELT:TRANSPORT:30S2M330	U013	123
M0264585	PULLEY:TRANSPORT ROLLER:DUPLEX:T26	U013	124
M0264586	PULLEY:CONNECTING:T24/T24	U013	125
M0264587	GEAR:FEED PAPER AGAIN:Z22	U013	126
M0264588	TIMING BELT:TRANSPORT:30S2M174	U013	127
M0264589	GEAR:COUPLING:MANUAL FEED:Z22/Z22	U013	128
M0264592	TIMING BELT:REVERSE ROLLER:30S2M184	U013	129
M0264593	GEAR:PULLEY:R ROLLER:UPPER:Z22/T23	U013	130
M0264594	SUPPORT PLATE:GUIDE PLATE:ASSY	U013	131
M0264596	INNER COVER:FRONT:DUPLEX	U013	132
M0264597	COVER:REVERSE:UPPER	U013	133
M0264627	SPRING PLATE:DAMPER:DUPLEX	U013	134
M0264628	GROUND PLATE:COVER:RIGHT	U013	135
M0264629	STAY:COVER:OPEN AND CLOSE:RIGHT	U013	136
M0264631	BRACKET:GEAR:REVERSE	U013	137
M0264634	COIL SPRING:ROLLER:OPEN AND CLOSE	U013	138
M0264635	COIL SPRING:ROLLER:OPEN AND CLOSE	U013	139
M0264636	LINK:GATE PAWL:UPPER	U013	140
M0264637	TENSION SPRING:GATE PAWL:UPPER	U013	141
M0264638	COIL SPRING:ROLLER:REVERSE	U013	142
M0264640	TENSION SPRING:GATE PAWL:TRAY:RIGHT	U013	143
M0264641	TENSION SPRING:GATE PAWL	U013	144
M0264642	COIL SPRING:ROLLER:TRANSFER	U013	145

## Exclusive Parts

Number	Part Name	Group	ID
	:5.5N		
M0264643	COIL SPRING:ROLLER:TRANSFER:3N	U013	146
M0264644	GUIDE PLATE:LINK:DUPLEX:ASS'Y	U013	147
M0264645	SUPPORTING PLATE:FRONT:DUPLEX	U013	148
M0264652	GUIDE:GEAR:DUPLEX:MANUAL FEED	U013	149
M0264655	COIL SPRING:BRACKET:GEAR:REVERSE	U013	150
M0264663	GEAR:DAMPER:DUPLEX	U013	151
M0264664	TORSION SPRING:DAMPER:DUPL EX:84N	U013	152
M0264669	ARM:PRESSURE RELEASE:FRONT	U013	153
M0264671	ARM:PRESSURE RELEASE:REAR	U013	154
M0264672	SHAFT:DRIVEN:ROLLER:DUPLEX:RIGHT	U013	155
M0264673	GUIDE PLATE:REVERSE:UPPER	U013	156
M0264674	GEAR:LINK:DUPLEX	U013	157
M0264677	GROUND WIRE:DUPLEX:EXIT:SENSOR	U013	158
M0264678	GROUND WIRE:DUPLEX:ENTRANCE:SENSOR	U013	159
M0264681	GUIDE:COVER:SENSOR:TRAY:RIGHT	U013	160
M0264682	SHAFT:GUIDE PLATE:TRANSFER:HOLDER	U013	161
M0264683	STOPPER:GUIDE PLATE:REAR	U013	162
M0264685	STOPPER:GUIDE PLATE:TRANSFER:HOLDER	U013	163
M0264686	DECAL:TRANSFER:HOLDER	DECALS AND DOCUMENTS	21
		U013	164
M0264687	LEVER:GUIDE PLATE:TRANSFER:HOLDER	U013	165
M0264688	END RING:CONTACT POINT:DUPL EX	U013	166

Number	Part Name	Group	ID
M0264694	STOPPER:GUIDE PLATE:FRONT	U013	167
M0264695	TENSION SPRING:LEVER:TRANSFER	U013	168
M0264696	TENSION SPRING:LEVER:DUPLEX	U013	169
M0264697	HOOK:STOPPER:DUPLEX:FRONT	U013	170
M0265101	PCB:BCU:ASS'Y	U016	30
M0265108	PCB:RFID-CPU	U007	17
M0265124	PCB:IPU	U016	31
M0265152	PCB:RFID-AFE:K	U007	18
M0265158	PCB:RFID-AFE:M	U007	19
M0265166	PCB:RFID-AFE:C	U007	20
M0265168	PCB:RFID-AFE:Y	U007	21
M0265175	PCB:LED-DB	U004	49
M0265194	PCB:SDB	U016	32
M0265224	INTERFACE CABLE:SCANNER:LVDS	U004	50
M0265272	CABLE:HDD:SATA:RED135	U016	33
M0265636	COVER:RACK	U016	34
M0265652	PANEL:CTL	U016_S001	35
M0265655	PANEL:CTL	U016_S001	36
M0265659	PANEL:SD	U016	37
M0265660	BRACKET:FAN	U016	38
M0265662	BRACKET:HDD	U016	39
M0265663	GROUND PLATE:HDD	U016	40
M0265712	SERVICE PARTS:PCB:EX2:M026:ASS'Y	U016	41
M0265713	SERVICE PARTS:PCB:EX2:M022:ASS'Y	U016	42
M0265737	SD-CARD:VM/CALYPSO	ACCESSORIES	6
M0265782	CABLE:HDD:S-ATA:POWER:120	U016	43
M0265810	COVER:HARNESS:DRIVE	U015	63
M0265816	BRACKET:MAIN SWITCH	U016	44
M0265819	COVER:POWER SUPPLY UNIT:HEATER	U016	45
M0265828	GUARD:HARNESS:BCU	U016	46
M0265831	COVER:HARNESS:POWER PACK	U016	47
M0265847	BRACKET:PUSH SWITCH	U016	48
M0265857	PANEL:INTERFACE:HE-71	U016	49

## Exclusive Parts

Number	Part Name	Group	ID
M0265866	BRACKET:SAFETY SWITCH:MAIN	U016	50
M0265868	ARM:SAFETY SWITCH:NO.1	U016	51
M0265870	ARM:SAFETY SWITCH:NO.2	U016	52
M0265871	SHAFT:SAFETY SWITCH:NO.1	U016	53
M0265874	SHAFT:SAFETY SWITCH:NO.4	U016	54
M0265875	SHAFT:SAFETY SWITCH:NO.5	U016	55
M0265876	LEVER:SAFETY SWITCH:NO.1	U016	56
M0265877	LEVER:SAFETY SWITCH:NO.2	U016	57
M0265878	LEVER:SAFETY SWITCH:NO.3	U016	58
M0265879	LEVER:SAFETY SWITCH:NO.4	U016	59
M0265881	INSULATING SHEET:POWER PAC K	U016	60
M0265882	TERMINAL:DEVELOPMENT	U016	61
M0265883	HOLDER:TERMINAL:DEVELOPME NT	U016	62
M0265884	SPRING PLATE:CHARGE	U016	63
M0265886	SPRING PLATE:DEVELOPMENT	U016	64
M0265887	TERMINAL:TRANSFER UNIT	U016	65
M0265888	TERMINAL:POWER PACK	U016	66
M0265889	WIRE:HIGH VOLTAGE:DEVELOPM ENT:K	U016	67
M0265891	WIRE:HIGH VOLTAGE:DEVELOPM ENT:C	U016	68
M0265892	WIRE:HIGH VOLTAGE:DEVELOPM ENT:M	U016	69
M0265893	WIRE:HIGH VOLTAGE:DEVELOPM ENT:Y	U016	70
M0265894	INNER COVER:TERMINAL	U016	71
M0265895	PLATE:SPRING PLATE:DEVELOPM ENT	U016	72
M0265896	INNER COVER:GUARD:HARNESS	U016	73
M0265897	PLATE:SPRING PLATE:CHARGE	U016	74
M0266000	TRANSFER UNIT	U009_S002	3
M0266124	FLAT BELT-TRANSFER:ASS'Y	U009_S002	4
M0266166	DENSITY SENSOR:ASS'Y	U010	16
M0266200	TRANSFER/SEPARATION UNIT	U010	17
M0266290	HOLDER:LEVER:PRESSURE:TRAN SFER	U010	18

Number	Part Name	Group	ID
M0266291	COVER:POWER PACK:TRANSFER UNIT	U010	19
M0266294	GUIDE PLATE:TRANSFER ROLLER :UPPER	U010	20
M0266295	SPRING PLATE:DISCHARGE	U010	21
M0266296	GROUND PLATE:POWER SOURCE :TRANSFER	U010	22
M0266301	LEVER:ON-OFF:TRANSFER UNIT	U010	23
M0266302	RAIL:MAIN:ASS'Y	U010	24
M0266329	SHUTTER:DENSITY SENSOR	U010	25
M0266332	INSULATING SHEET:DENSITY SEN SOR	U010	26
M0266333	HOLDER:DENSITY SENSOR	U010	27
M0266351	RAIL:CLEANING UNIT	U010	28
M0266354	GUIDE:POSITIONING:FRONT	U010	29
M0266355	GUIDE:POSITIONING:REAR	U010	30
M0266356	GROUND PLATE:TRANSFER:SEC OND	U010	31
M0266365	DECAL:WARNING (HIGH VOLTAGE )	DECALS AND DO CUMENTS U010	22 32
M0266481	GEAR:IDLER:COLLECTION BOTTL E:20Z	U015	64
M0266482	GEAR:IDLER:DC MOTOR:30Z	U015	65
M0266483	SHAFT:GEAR:IDLER:COLLECTION BOTTLE	U015	66
M0266485	DC MOTOR:2.64W	U015	67
M0266801	DECAL:MODEL NAME:M026:RIC	DECALS AND DO CUMENTS	23
M0266802	DECAL:MODEL NAME:M026:SVN	DECALS AND DO CUMENTS	24
M0266803	DECAL:MODEL NAME:M026:GES:N A	DECALS AND DO CUMENTS	25
M0266804	DECAL:MODEL NAME:M026:LAN:N A	DECALS AND DO CUMENTS	26
M0266850	DECAL:CLEANING:SHIELD GLASS	DECALS AND DO CUMENTS	27
M0266880	DECAL:COLORED DISPLAY:INNER	DECALS AND DO	28

## Exclusive Parts

Number	Part Name	Group	ID
	COVER:C	CUMENTS	
		U001_S002	48
M0266881	DECAL:COLORED DISPLAY:INNER COVER:M	DECALS AND DOCUMENTS	29
		U001_S002	49
M0266882	DECAL:COLORED DISPLAY:INNER COVER:Y	DECALS AND DOCUMENTS	30
		U001_S002	50
M0266883	DECAL:COLORED DISPLAY:INNER COVER:BK	DECALS AND DOCUMENTS	31
		U001_S002	51
M0266890	DECAL:CAUTION:ORIGINAL:ENGLISH	ACCESSORIES	7
		DECALS AND DOCUMENTS	32
M0269590	NV-RAM	U016	75
M0281031	DC MOTOR:ON-OFF:1.56W	U015	68
		U015_S001	68
M0281032	BRACKET:ON-OFF:USED TONER	U015	69
M0281148	SHAFT:ON-OFF:SECOND:PRESS FIT	U015_S002	70
M0281165	BRACKET:DRIVE UNIT:PAPER EXIT:NO.1	U015	71
M0281168	COVER:DRIVE UNIT:SYNCHRONOUS BELT	U016	76
M0281169	DRIVE UNIT:PAPER EXIT SUB-UNIT:NO.2	U015_S004	72
M0281178	DC STEPPER MOTOR:REVERSE:0.94W	U015_S004	73
M0281196	COVER:GEAR:REVERSE SUB-UNIT	U017	36
M0284452	TRANSPORT ROLLER:FIN	U014	8
M0284459	GEAR:INPUT:Z26:FIN	U014	9
M0521563	GASKET:BRACKET:REAR:SMALL	ACCESSORIES	8
M3641211	HINGE:LEFT	U003	36
M3641221	HINGE:RIGHT	U003	37
M3641227	HOOK:GUIDE:EXPOSURE GLASS	U003	38
M3641317	SUPPORTING PLATE:LEFT LOWER	U003	39

Number	Part Name	Group	ID
M3641321	LEVER:DRIVEN:SCANNING	U003	40
M3641322	COMPRESSION SPRING:SCANNING:DRIVEN	U003	41
M3641323	COMPRESSION SPRING:SCANNING:DRIVEN	U003	42
M3641326	GUIDE PLATE:SCANNING:FRONT LOWER	U003	43
M3641327	SHEET:SCANNING:FRONT LOWER	U003	44
M3641335	EXIT ROLLER:DRIVEN:ASS'Y	U003	45
M3641342	ROLLER:SCANNING:DRIVEN:SHORT	U003	46
M3641386	CUSHION:PRESSURE PLATE	U003	47
M3641387	BRACKET:PRESSURE PLATE	U003	48
M3642110	SHAFT:PAPER FEED UNIT	U003	49
M3642121	FEED ROLLER	U003	50
M3642123	TIMING PULLEY:PICKUP:DRIVE	U003	51
M3642124	COMPRESSION SPRING:PAPER FEED UNIT	U003	52
M3642132	TORQUE LIMITER:PICKUP	U003	53
M3642141	ARM:PAPER STOPPER	U003	54
M3642142	PAPER STOPPER	U003	55
M3642143	TORSION SPRING:PAPER STOPPER	U003	56
M3642144	LINK:PAPER STOPPER	U003	57
M3642151	HOLDER:PICKUP	U003	58
M3642161	SHAFT:PICKUP	U003	59
M3642162	TIMING PULLEY:PICKUP	U003	60
M3642163	TIMING BELT:40S2M130	U003	61
M3642211	HOLDER:FRICTION PAD:ASS'Y	U003_S001	62
M3642213	COMPRESSION SPRING:SEPARATION	U003_S001	63
M3642222	GUIDE PLATE:OPEN AND CLOSE	U003	64
M3642311	GUIDE PLATE:PAPER FEED	U003	65
M3642313	TENSION SPRING:PRESSURE RELEASE	U003	66
M3642314	LEVER:PRESSURE RELEASE:SEPARATION	U003	67
M3642315	CUSHION:SEPARATION	U003	68

## Exclusive Parts

Number	Part Name	Group	ID
M3643111	TRANSPORT ROLLER:PULL OUT	U003	69
M3643116	TIMING PULLEY:PULL OUT	U003	70
M3643121	TRANSPORT ROLLER:SCANNING	U003	71
M3643131	EXIT ROLLER	U003	72
M3643136	KNOB:MISFEED REMOVAL	U003	73
M3643211	GUIDE PLATE:TRANSPORT	U003	74
M3643212	DISCHARGE BRUSH:EXIT:SUS	U003	75
M3643221	SPRING PLATE:EARTH:EXIT	U003	76
M3643227	CUSHION:HARNESS	U003	77
M3643232	EXIT ROLLER:DRIVEN	U003	78
		U003_S003	78
M3643241	GUIDE PLATE:REVERSE:UPPER	U003	79
M3643311	GUIDE PLATE:SCANNING	U003	80
M3643321	SPRING PLATE:GUIDE:EXPOSURE GLASS	U003	81
M3643412	FEELER:REVERSE	U003	82
M3643416	GUIDE PLATE:REVERSE	U003	83
M3643421	GATE PAWL:REVERSE	U003	84
M3643422	CUSHION:GATE PAWL:REVERSE	U003	85
M3644121	TIMING PULLEY:SLOW DOWN:PAPER FEED	U003	86
M3644122	GEAR:TIMING PULLEY:SLOW DOWN:PAPER FEED	U003	87
M3644124	GEAR:TIMING PULLEY:COUPLING	U003	88
M3644131	TIMING BELT:B40S2M160	U003	89
M3644231	TIGHTENER:TRANSPORT:ASS'Y	U003	90
M3644244	TENSION SPRING:TIGHTENER:TRANSPORT	U003	91
M3644245	TIMING BELT:B80S1.5M236	U003	92
M3644251	SHAFT:ELECTROMAGNETIC CLUTCH	U003	93
M3644311	BRACKET:MOTOR	U003	94
M3644321	STEPPER MOTOR:DC 0.94W	U003	95
M3644341	TENSION SPRING:MOTOR	U003	96
M3644353	BRACKET:DC FAN MOTOR	U003	97
M3644411	DC SOLENOID:GATE PAWL:REVERSE	U003	98
M3644511	COVER:REAR	U003	99

Number	Part Name	Group	ID
M3644521	COVER:FRONT	U003	100
M3644531	COVER:RIGHT	U003	101
M3644536	TRAY:AUXILIARY	U003	102
M3644610	COVER:PAPER FEED:ASS'Y	U003_S002	103
M3644617	GUIDE PLATE:COVER:PAPER FEED	U003_S002	104
	D		
M3644621	GRIP:COVER:PAPER FEED	U003_S002	105
M3644622	TORSION SPRING:GRIP	U003_S002	106
M3644626	FEELER:ORIGINAL SENSOR	U003_S002	107
M3644641	SHAFT:DRIVEN	U003	108
		U003_S002	108
M3644642	ROLLER:DRIVEN:SHORT	U003_S002	109
M3644643	COMPRESSION SPRING:DRIVEN ROLLER:PULL OUT	U003_S002	110
M3644648	PLAIN SHAFT BEARING:M4	U003	111
		U003_S002	111
M3644720	ORIGINAL TABLE:ASS'Y	U003_S003	112
M3644724	SPRING PLATE:REVERSE:PRESSURE	U003_S003	113
	URE		
M3644736	CUSHION:SIDE FENCE:SMALL	U003_S003	114
M3644741	SIDE FENCE:INNER BACK	U003_S003	115
M3644742	SIDE FENCE:FRONT	U003_S003	116
M3644743	COMPRESSION SPRING:SIDE FENCE	U003_S003	117
	CE		
M3644744	GEAR:SIDE FENCE	U003_S003	118
M3644751	EXTENSION TRAY	U003_S003	119
M3644811	PRESSURE PLATE	U003	120
M3644821	TAPE:PRESSURE PLATE:LEFT	U003	121
M3644823	TAPE:PRESSURE PLATE	U003	122
M3645022	PCB:MAIN CONTROL:ASS'Y	U003	123
M3645751	GUIDE:HARNESS	U003	124
M3646021	DECAL:ORIGINAL TABLE	DECALS AND DOCUMENTS	33
		U003	125
M3646031	DECAL:ORIGINAL SCALE:INNER BACK	DECALS AND DOCUMENTS	34
		U003_S003	126
M3646032	DECAL:ORIGINAL SCALE:FRONT	DECALS AND DO	35

## Exclusive Parts

Number	Part Name	Group	ID
		CUMENTS	
		U003_S003	127
M3646041	DECAL:SIDE FENCE	DECALS AND DO CUMENTS	36
		U003_S003	128
M3646051	DECAL:LEVER:KNOB	DECALS AND DO CUMENTS	37
		U003	129
VSSM9000	Digital Multimeter - FLUKE87	SPECIAL TOOLS	11



## Standard Parts



03530030N  
SCREW:M3X3



03530040N  
SCREW - M3X4



03530060N  
BIND SCREW - M3X6



03603006N  
SCREW - M3X6



03603025N  
SCREW:M3X25



04503025N  
TAPPING SCREW:3X25



04504008N  
TAPPING SCREW - M4X8



04504010N  
TAPPING SCREW:M4X10



04513006N  
TAPPING SCREW - 3X6



04513008N  
TAPPING SCREW - M3X8



04533006N  
TAPPING SCREW - M3X6



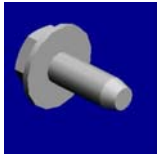
04543006Q  
TAPPING SCREW - M3X6



04543008Q  
TAPPING SCREW:3X8



04543020Q  
TAPPING SCREW::3X20



04573008N  
TAPPING SCREW - M3X8



06320100G  
PIN - 2X10MM



07200030E  
RETAINING RING - M3



07200040E  
RETAINING RING - M4



07200060E  
RETAINING RING - M6



07250120E  
RETAINING RING C - M12



07250170E  
RETAINING RING C - M17



07250200E  
RETAINING RING C - M20



07270080E  
RETAINING RING - M8



07330408  
BUSHING:4X8



07423808  
BALL BEARING - 8X16X5



08025299  
TAPPING SCREW - M3X8



08025317  
BINDING HEAD TAPPING SCREW:ES:3X8



08025318  
BINDING HEAD TAPPING SCREW:ES:3X10

## Standard Parts



08025319  
HEXAGON HEAD TAPPING S  
CREW:ES:3X8



08025320  
HEXAGON HEAD TAPPING S  
CREW:ES:3X10



08046127  
HEXAGONAL BOLT:DOUBLE  
SCREW:M3X8



08046128  
HEXAGONAL BOLT:DOUBLE  
SCREW:M3X10



08050088  
RETAINING RING - M6



08050089  
RETAINING RING - M4



08050092  
RETAINING RING - 3M



08050097  
RING SEPARATOR



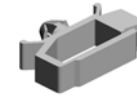
09543010N  
SCREW:POLISHED ROUND/  
SPRING:M3X10



11050487  
HARNESS CLAMP



11050511  
HARNESS CLAMP - LWS-030  
6ZC



11050516  
CLAMP



11050534  
CLAMP



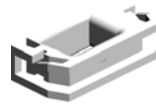
11050551  
CLAMP:LES-0505



11050692  
CLAMP:LES-0503



11050717  
CLAMP:JDW-1S



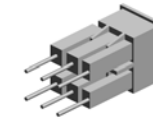
11050723  
CLAMPS:WES-0507



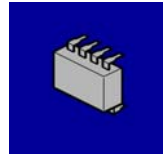
11500433  
POWER SUPPLY CODE:125V  
:15A:NA



12042521  
MICRO SWITCH



12042868  
SWITCH:RS51-AA11



14077153  
EEPROM:AT24C64C-PU:64K

## PM Part List

Number	Part Name	Num	Group	ID
AA010122	FILTER:REAR	2	U001	3
AE010076	HOT ROLLER	1	U012_S001	23
AE020179	PRESSURE ROLLER	1	U012_S001	25
AE031045	BUSHING - BELT TENSION ROLLER	2	U012_S001	29
AE031061	FRONT BUSHING - OIL SUPPLY ROLLER	1	U012_S001	30
AE031062	REAR BUSHING - OIL SUPPLY ROLLER	1	U012_S001	31
AE040074	OIL SUPPLY ROLLER:DIA18	1	U012_S001	33
AE040075	ROLLER:BELT TENSIONER	1	U012_S001	34
AE042087	CLEANING ROLLER:OIL SUPPLY ROLLER	1	U012_S001	35
M0226400	WASTE TONER BOTTLE	1	U011_S001	5
M0262014	PCU:BK:ASS'Y	1	U008_S001_S001	9
M0263021	DEVELOPMENT UNIT:BK	1	U008_S001_S002	12
M0263800	CLEANING UNIT:ITB	1	U009_S001	2
M0264106	FUSING BELT	1	U012_S001	49
M0266200	TRANSFER/SEPARATION UNIT	1	U010	17

**Digital Color Copiers**  
**(M024/M028-NA)**  
**Parts Catalog**

Model	Product Code	PC Style
Ricoh Aficio MP C300/Ricoh Aficio MP C300SR/ Ricoh Aficio MP C400/Ricoh Aficio MP C400SR	M022/M024/M026/M028	3D
Paper Feed Unit PB1000	M367	3D
Paper Feed Unit PB1010	M368	3D
1 Bin Tray BN1000	M370	3D
Side Tray Type C400	M369	3D
Fax Option Type C400		Traditional
IEEE 802.11a/g Interface Unit Type J	D377	Traditional
Gigabit Ethernet Type B	D377	Traditional

# Unit All



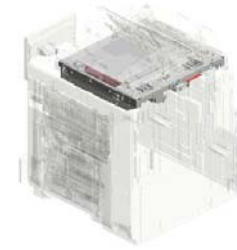
U001  
EXTERIOR



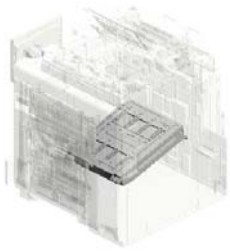
U002  
OPERATION



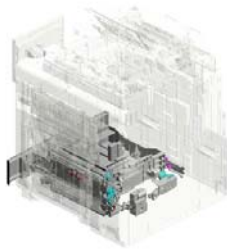
U003  
ADF



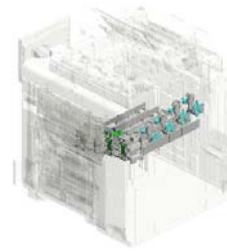
U004  
SCANNER



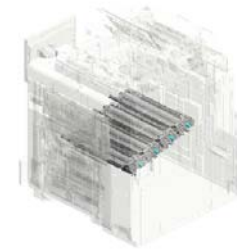
U005  
LASER UNIT



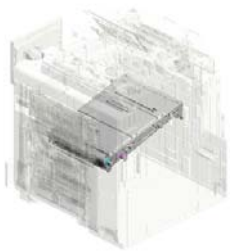
U006  
PAPER FEED



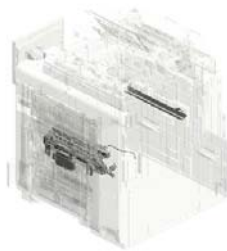
U007  
TONER SUPPLY



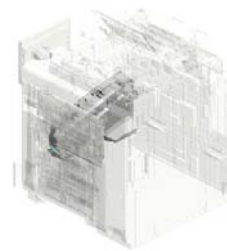
U008  
PCU



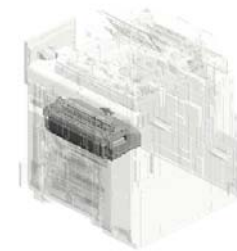
U009  
ITB CLEANING



U010  
IMAGE TRANSFER



U011  
USED TONER

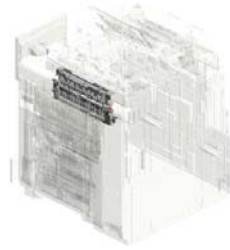


U012  
FUSING

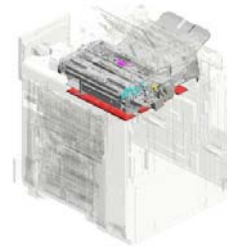
# Unit All



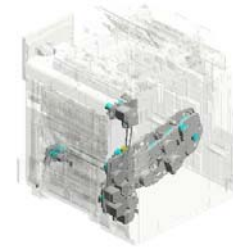
U013  
DUPLEX



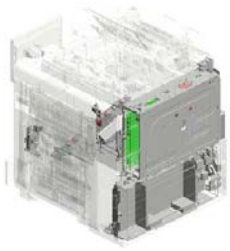
U014  
PAPER EXIT



U015  
FINISHER



U016  
MAIN DRIVE



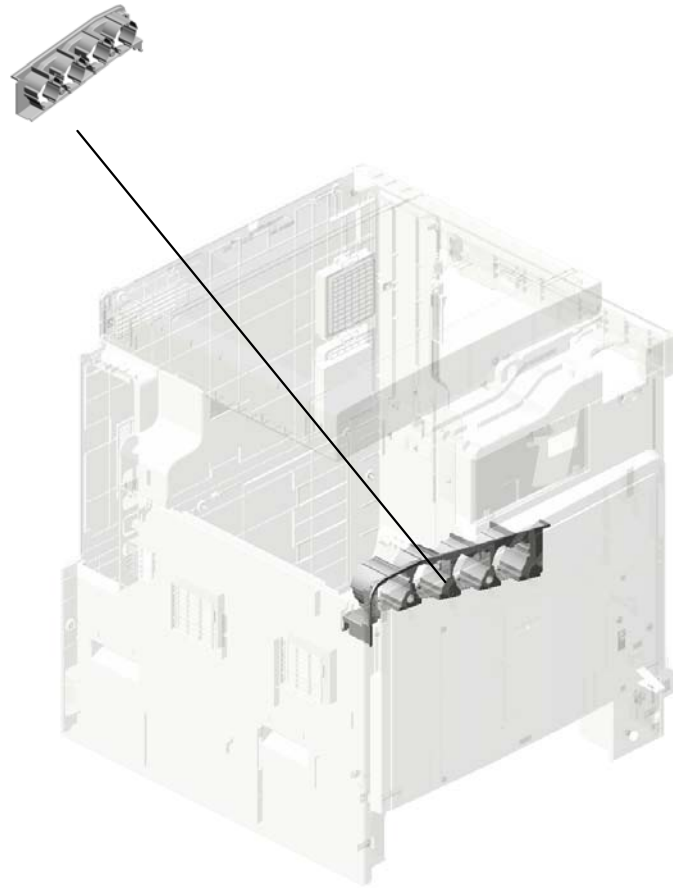
U017  
ELECTRICAL



U018  
MAIN FRAME

# U001.EXTERIOR

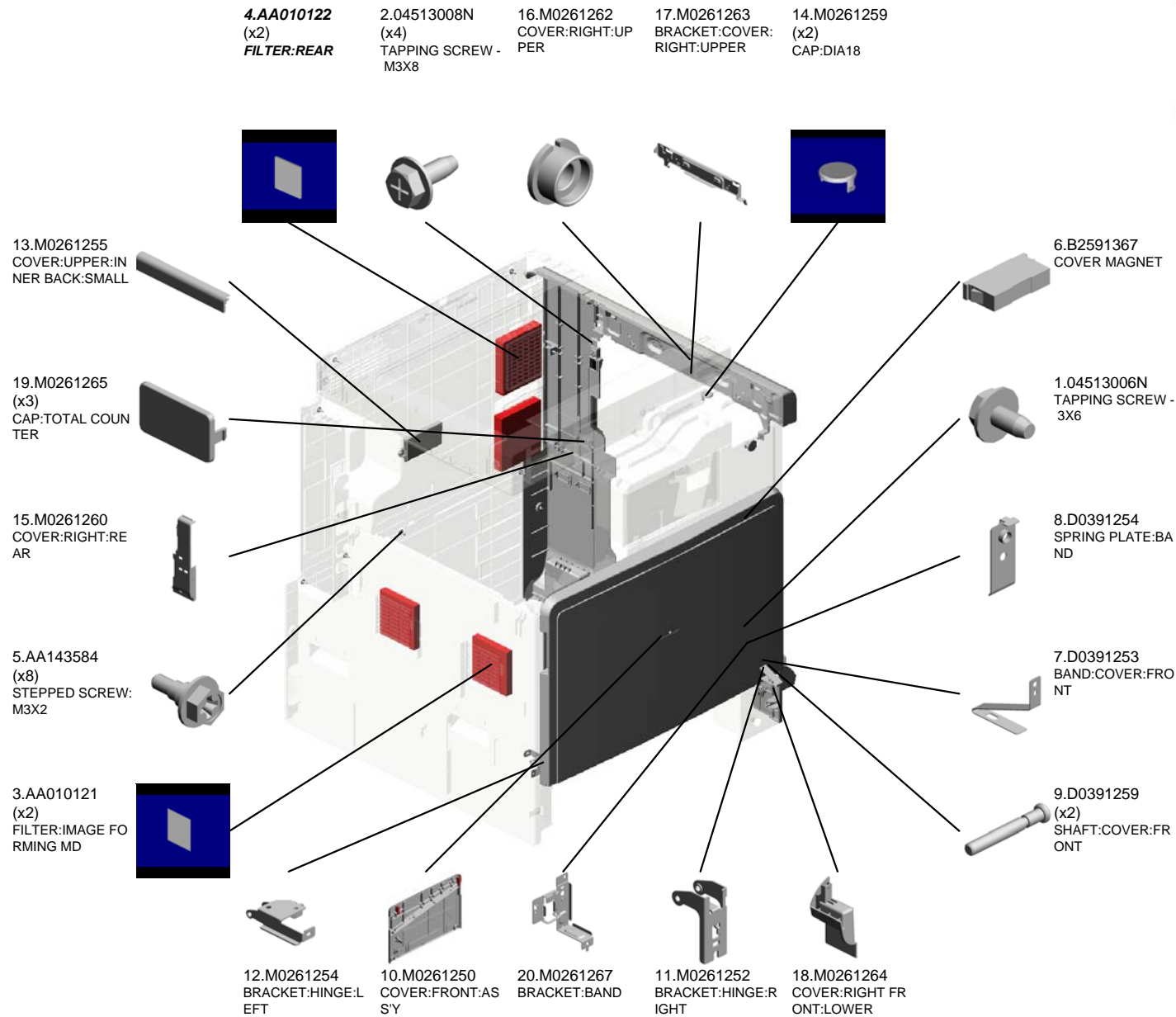
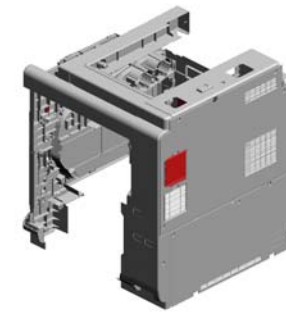
U001\_S001  
M0261285  
INNER COVER:TONER BOTT  
LE



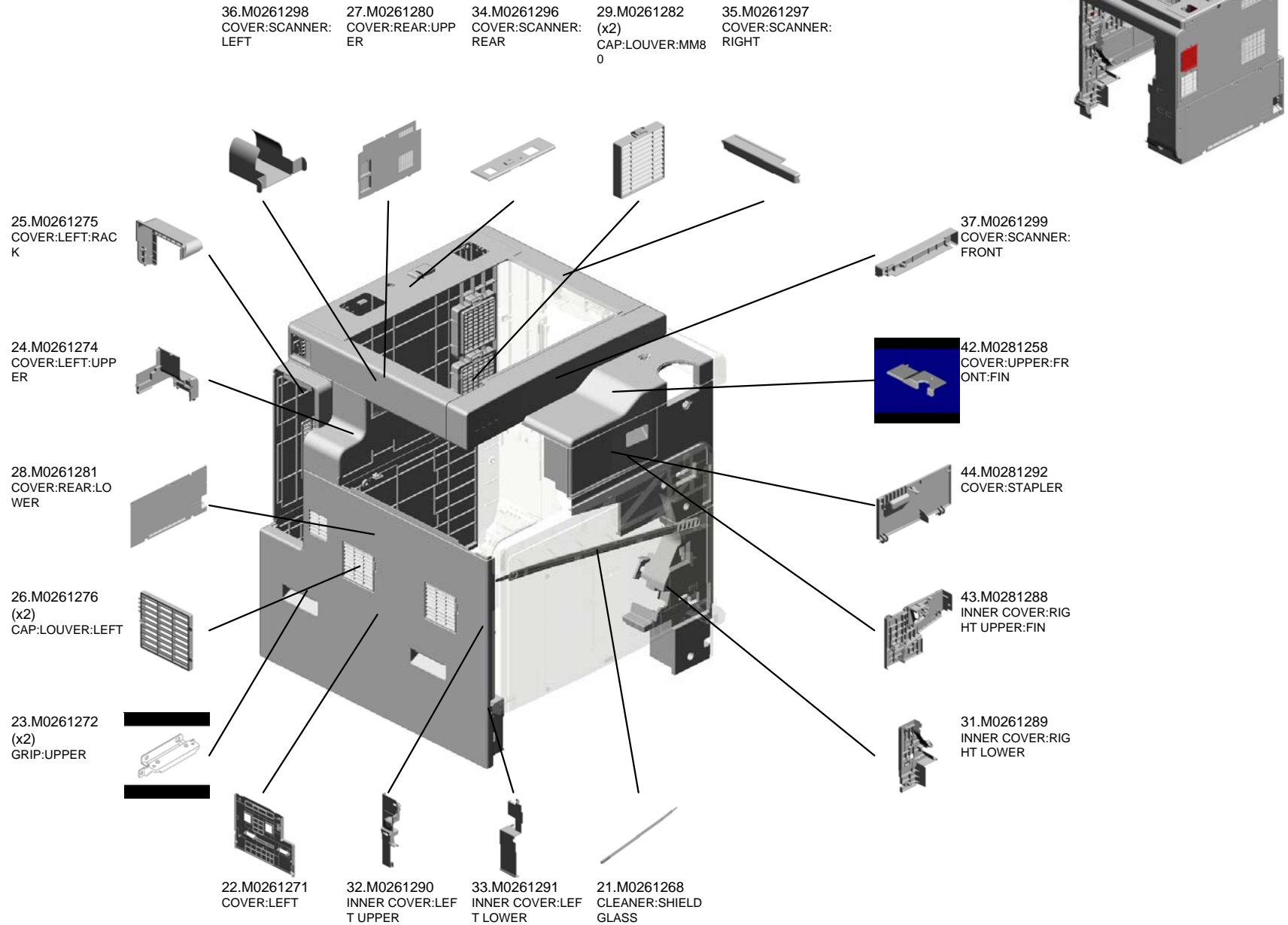
U001	U002	U003	U004	U005	U006	U007	U008	U009	U010	U011	U012	U013	U014	U015	U016	U017	U018
------	------	------	------	------	------	------	------	------	------	------	------	------	------	------	------	------	------



# U001 EXTERIOR



# U001 EXTERIOR



U001\_S001  
INNER COVER:TONER BOTTLE

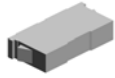
6.B2591367  
COVER MAGNET

39.M0266881  
DECAL:COLORED  
DISPLAY:INNER C  
OVER:M



30.M0261285  
INNER COVER:TO  
NER BOTTLE

40.M0266882  
DECAL:COLORED  
DISPLAY:INNER C  
OVER:Y



41.M0266883  
DECAL:COLORED  
DISPLAY:INNER C  
OVER:BK



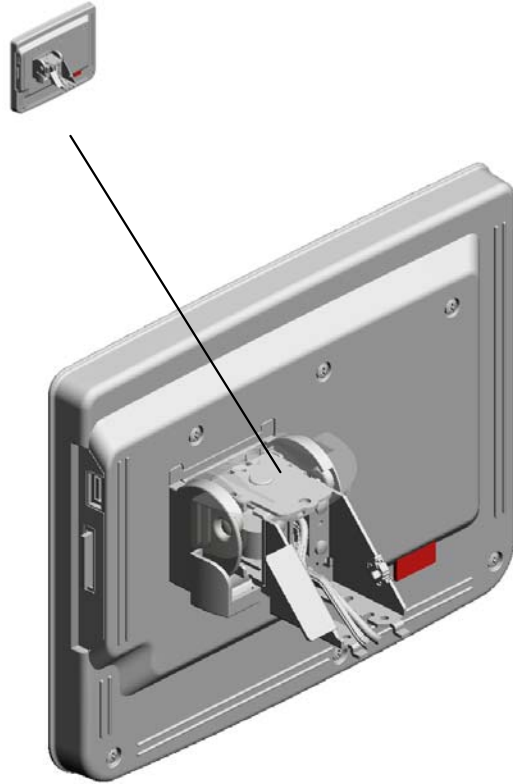
38.M0266880  
DECAL:COLORED  
DISPLAY:INNER C  
OVER:C



U001	U002	U003	U004	U005	U006	U007	U008	U009	U010	U011	U012	U013	U014	U015	U016	U017	U018
------	------	------	------	------	------	------	------	------	------	------	------	------	------	------	------	------	------

# U002.OPERATION

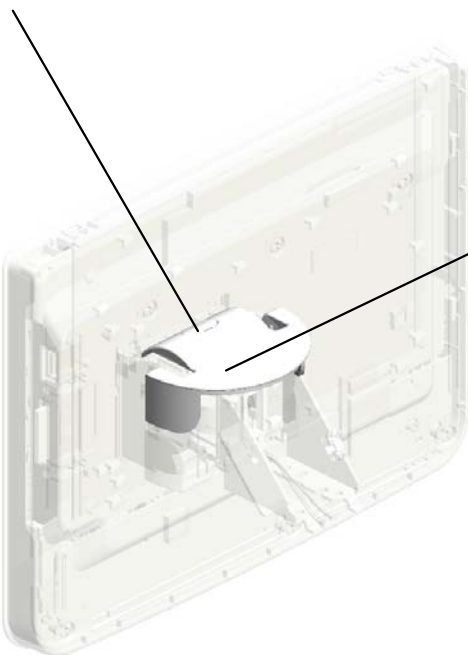
U002\_S001  
M0261440  
OPERATION PANEL:NA:ASS'  
Y



U001	U002	U003	U004	U005	U006	U007	U008	U009	U010	U011	U012	U013	U014	U015	U016	U017	U018
------	------	------	------	------	------	------	------	------	------	------	------	------	------	------	------	------	------

# U002 OPERATION

20.M0261523  
CAP:COVER:HING  
E:UPPER



17.M0261518  
COVER:HINGE:UP  
PER

U002\_S001  
OPERATION PANEL:NA:ASS'Y

12.M0261495 PCB:LDC:NA:FT  
15.M0261516 COVER:HINGE:LEF  
T  
13.M0261498 LCD:TFT:W-VGA:M  
V  
5.D0291484 TOUCH PANEL:WV  
GA:FU-ACF  
1.03530040N (x29)  
SCREW - M3X4



6.M0261440  
OPERATION PANE  
L:NA:ASS'Y

3.B2381534  
(x2)  
LCD SPACER A

21.M0261524  
COVER:HINGE:CL  
AMP

14.M0261515  
HINGE:ASS'Y

7.M0261452  
PCB:KEY:SUB:ASS'  
Y

16.M0261517  
COVER:HINGE:RIG  
HT

11.M0261484  
CABLE:FFC:KEY:S  
UB

22.M0261532  
KEYTOP:START

23.M0261533  
KEYTOP:CLEAR/S  
TOP

18.M0261519  
COVER:HINGE:LO  
WER

8.M0261458  
PCB:KEY:MAIN:AS  
S'Y

10.M0261483  
CABLE:FFC:KEY:M  
AIN

19.M0261520  
COVER:HINGE:MID  
DLE

9.M0261482  
CABLE:FFC:LCD

4.B2381535  
(x2)  
LCD SPACER B

2.11050692  
CLAMP:LES-0503

U002\_S001  
OPERATION PANEL:NA:ASS'Y

29.M0261547  
COVER:REAR

32.M0261555  
SHEET:LCDC

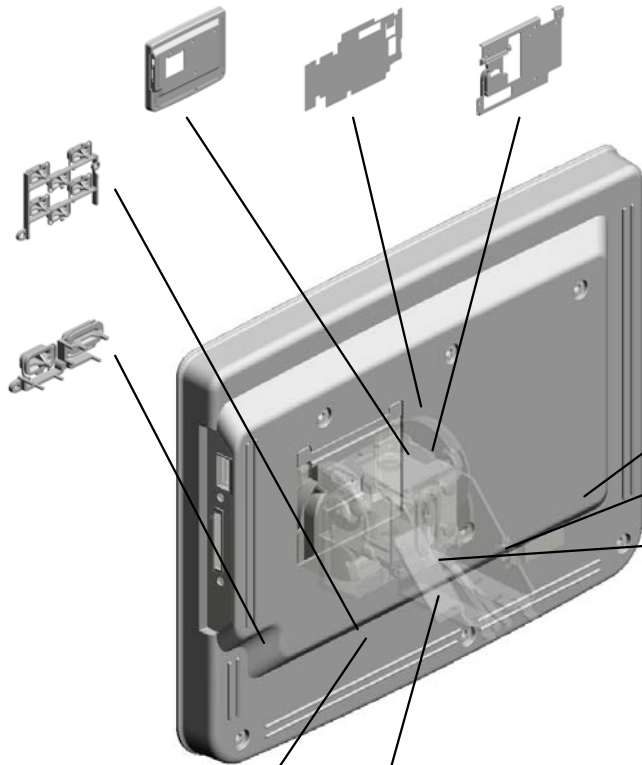
30.M0261548  
COVER:INNER



6.M0261440  
OPERATION PANE  
L:NA:ASS'Y

25.M0261536  
KEYTOP:10KEY:1:  
NA

24.M0261534  
KEYTOP:RESET S  
WITCH



31.M0261553  
SHEET:JOURNAL:  
NA

27.M0261541  
KEYTOP:APPLICAT  
ION:NA

33.M0261556  
KEYTOP:BLANK

26.M0261538  
KEYTOP:10KEY:2:  
NA

28.M0261545  
KEYTOP:OTHER:N  
A

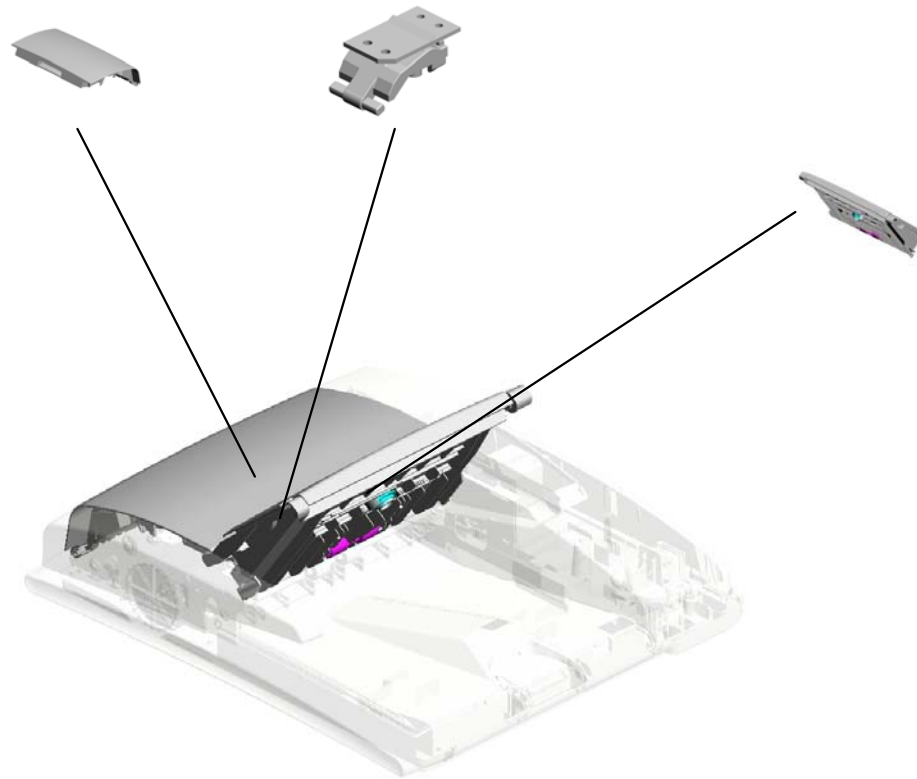
U001	<b>U002</b>	U003	U004	U005	U006	U007	U008	U009	U010	U011	U012	U013	U014	U015	U016	U017	U018
------	-------------	------	------	------	------	------	------	------	------	------	------	------	------	------	------	------	------

# U003.ADF

U003\_S002  
M3644610  
COVER:PAPER FEED:ASS'Y

U003\_S001  
M3642211  
HOLDER:FRICTION PAD:ASS  
'Y

U003\_S003  
M3644720  
ORIGINAL TABLE:ASS'Y



U001	U002	U003	U004	U005	U006	U007	U008	U009	U010	U011	U012	U013	U014	U015	U016	U017	U018
------	------	------	------	------	------	------	------	------	------	------	------	------	------	------	------	------	------



U003  
ADF

5.06320100G  
PIN - 2X10MM

22.AA143788  
(x2)  
PIN:GUIDE PLATE:  
PAPER FEED

10.08050089  
(x9)  
RETAINING RING -  
M4

13.11050692  
CLAMP:LES-0503

12.11050511  
HARNESS CLAMP -  
LWS-0306ZC



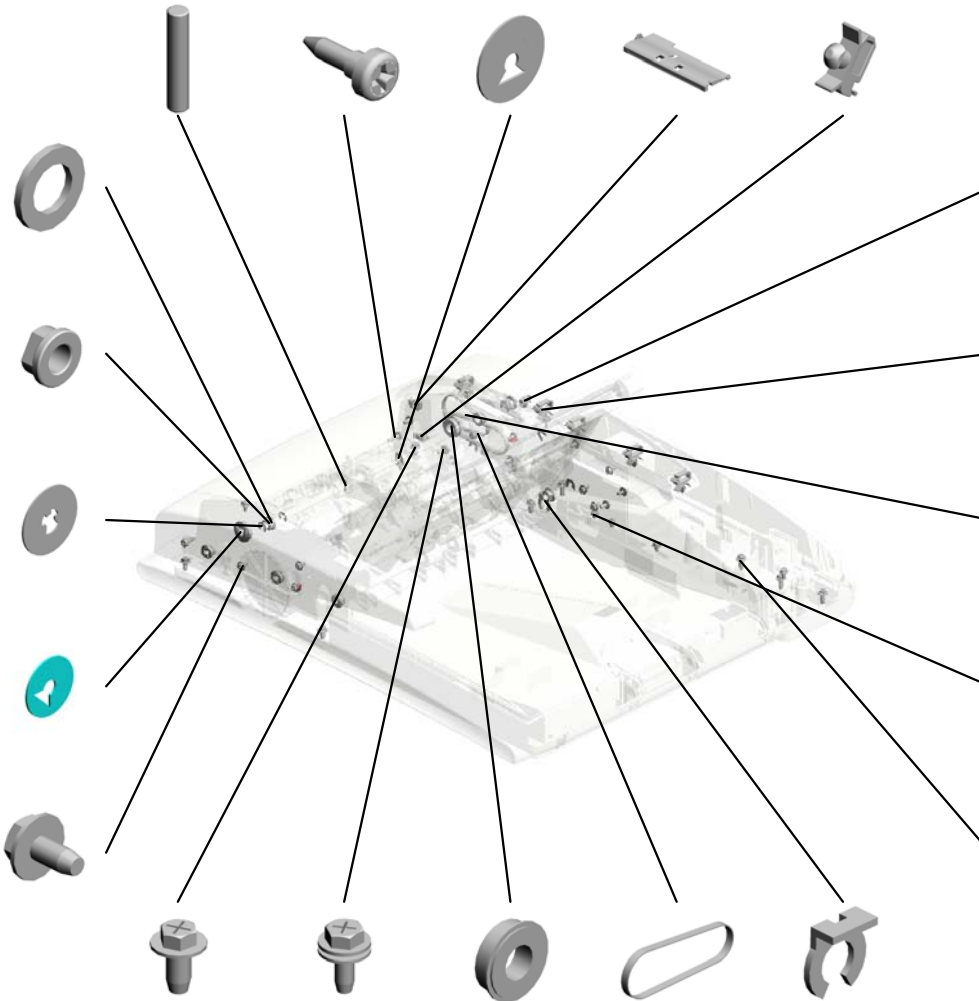
20.AA132208  
SPACER - M6

19.AA082101  
(x7)  
BUSHING - 6X10X6

6.07200040E  
(x2)  
RETAINING RING -  
M4

9.08050088  
RETAINING RING -  
M6

4.04513006N  
(x24)  
TAPPING SCREW -  
3X6



14.11050717  
CLAMP:JDW-1S

11.11050487  
(x5)  
HARNESS CLAMP

18.AA043603  
TIMING BELT:B40S  
2M128

1.03530040N  
(x2)  
SCREW - M3X4

3.04504010N  
(x5)  
TAPPING SCREW:  
M4X10

2.04504008N  
(x4)  
TAPPING SCREW -  
M4X8

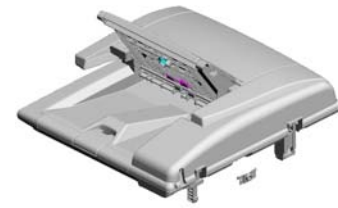
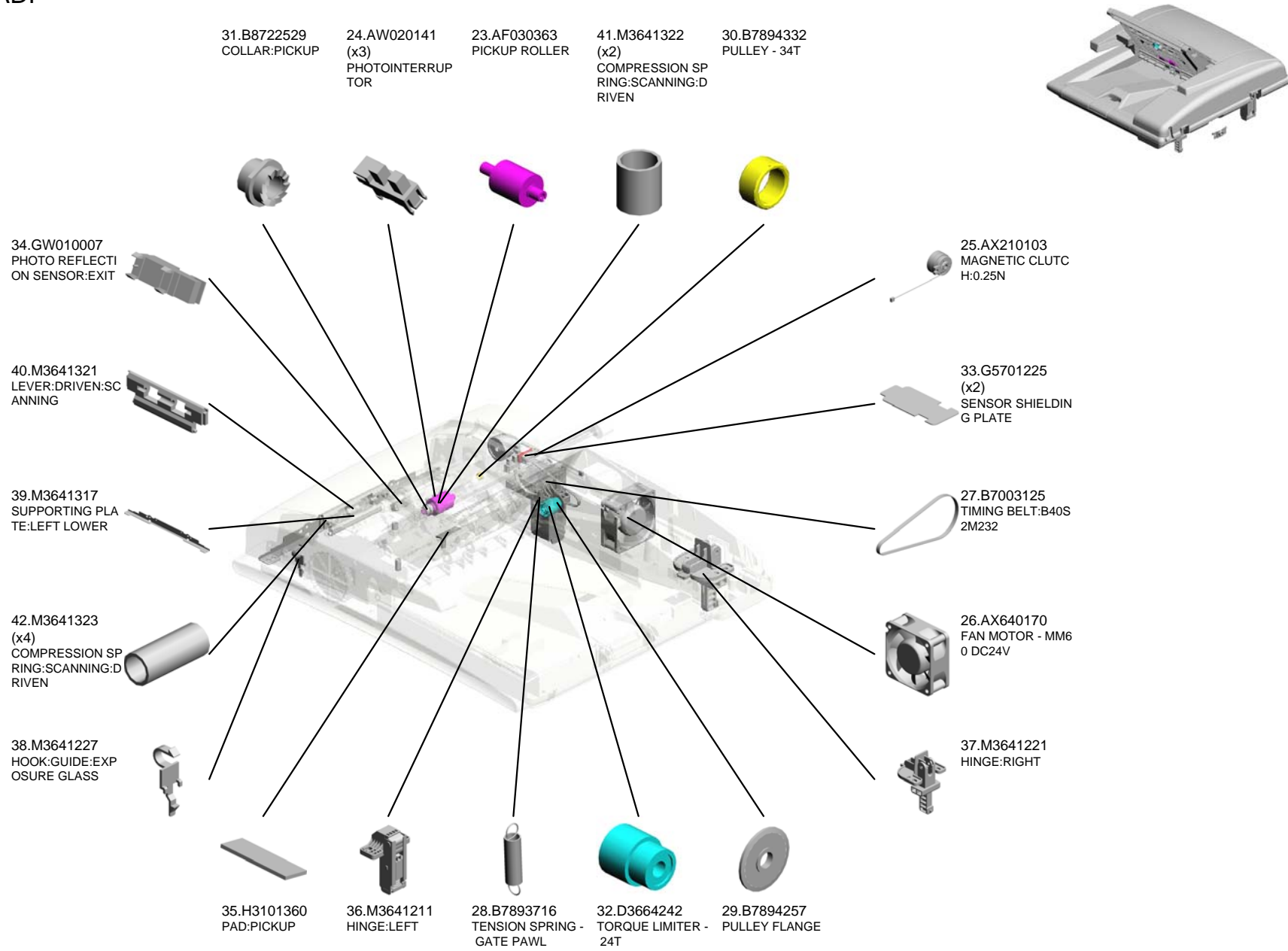
8.08025299  
TAPPING SCREW -  
M3X8

7.07423808  
(x2)  
BALL BEARING - 8  
X16X5

17.AA043319  
TIMING BELT - 40S  
2M156

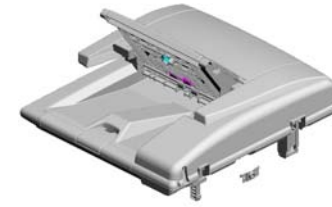
15.A2222724  
EXTERNAL CIRCLI  
P - MM8

U003  
ADF



# U003 ADF

- 51.M3642123 TIMING PULLEY:PI  
CKUP:DRIVE
- 64.M3642222 GUIDE PLATE:OPE  
N AND CLOSE
- 49.M3642110 SHAFT:PAPER FEE  
D UNIT
- 50.M3642121 FEED ROLLER
- 56.M3642143 TORSION SPRING:  
PAPER STOPPER



53.M3642132  
TORQUE LIMITER:  
PICKUP



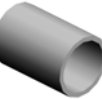
46.M3641342  
(x2)  
ROLLER:SCANNIN  
G:DRIVEN:SHORT



43.M3641326  
GUIDE PLATE:SCA  
NNING:FRONT LO  
WER



52.M3642124  
COMPRESSION SP  
RING:PAPER FEED  
UNIT



44.M3641327  
(x2)  
SHEET:SCANNING:  
FRONT LOWER



48.M3641387  
(x2)  
BRACKET:PRESSU  
RE PLATE



61.M3642163  
TIMING BELT:40S2  
M130



45.M3641335  
EXIT ROLLER:DRIV  
EN:ASSY



60.M3642162  
TIMING PULLEY:PI  
CKUP



55.M3642142  
PAPER STOPPER



58.M3642151  
HOLDER:PICKUP



54.M3642141  
ARM:PAPER STOP  
PER



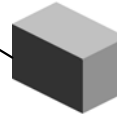
57.M3642144  
LINK:PAPER STOP  
PER



59.M3642161  
SHAFT:PICKUP



47.M3641386  
(x2)  
CUSHION:PRESSU  
RE PLATE



U003  
ADF

71.M3643121  
TRANSPORT ROLL  
ER:SCANNING

83.M3643416  
GUIDE PLATE:REV  
ERSE

74.M3643211  
GUIDE PLATE:TRA  
NSPORT

69.M3643111  
TRANSPORT ROLL  
ER:PULL OUT

77.M3643227  
CUSHION:HARNES  
S



67.M3642314  
LEVER:PRESSURE  
RELEASE:SEPAR  
ATION

80.M3643311  
GUIDE PLATE:SCA  
NNING

66.M3642313  
TENSION SPRING:  
PRESSURE RELEA  
SE

81.M3643321  
(x2)  
SPRING PLATE:GU  
IDE:EXPOSURE GL  
ASS

73.M3643136  
KNOB:MISFEED R  
EMOVAL

76.M3643221  
SPRING PLATE:EA  
RTH:EXIT

72.M3643131  
EXIT ROLLER

78.M3643232  
EXIT ROLLER:DRIV  
EN

79.M3643241  
GUIDE PLATE:REV  
ERSE:UPPER

75.M3643212  
DISCHARGE BRUS  
H:EXIT:SUS

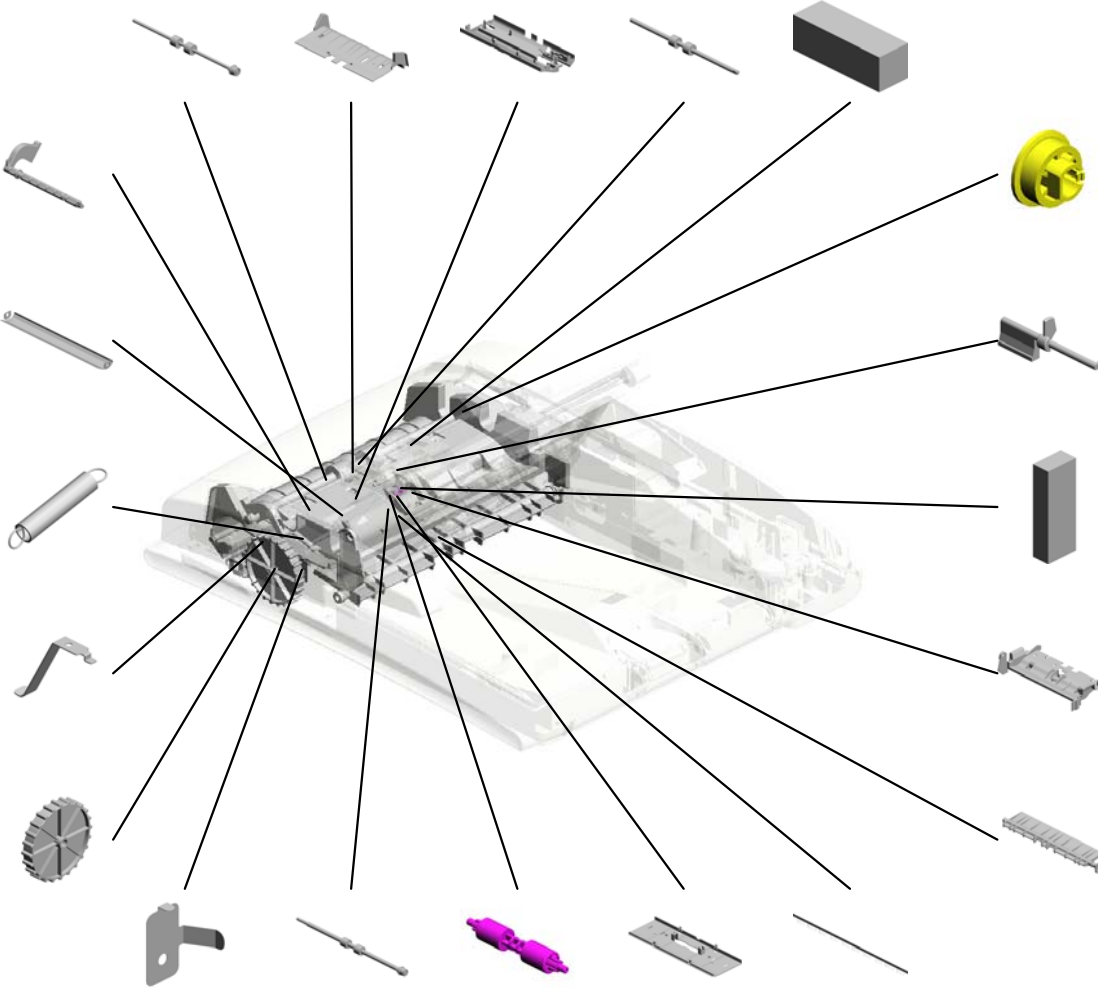
70.M3643116  
TIMING PULLEY:P  
ULL OUT

82.M3643412  
FEELER:REVERSE

68.M3642315  
(x2)  
CUSHION:SEPARA  
TION

65.M3642311  
GUIDE PLATE:PAP  
ER FEED

84.M3643421  
GATE PAWL:REVE  
RSE



U003  
ADF

- 96.M3644341 (x2) TENSION SPRING: MOTOR
- 93.M3644251 SHAFT:ELECTROMAGNETIC CLUTCH
- 88.M3644124 GEAR:TIMING PULLEY:COUPLING
- 87.M3644122 GEAR:TIMING PULLEY:SLOW DOWN: PAPER FEED
- 86.M3644121 TIMING PULLEY:SLOW DOWN:PAPER FEED



91.M3644244 TENSION SPRING: TIGHTENER:TRANSPORT

90.M3644231 TIGHTENER:TRANSPORT:ASSY

92.M3644245 TIMING BELT:B80S 1.5M236

108.M3644641 SHAFT:DRIVEN

111.M3644648 (x4) PLAIN SHAFT BEARING:M4

100.M3644521 COVER:FRONT

85.M3643422 CUSHION:GATE PAWL:REVERSE

98.M3644411 DC SOLENOID:GATE PAWL:REVERSE

102.M3644536 TRAY:AUXILIARY

101.M3644531 COVER:RIGHT

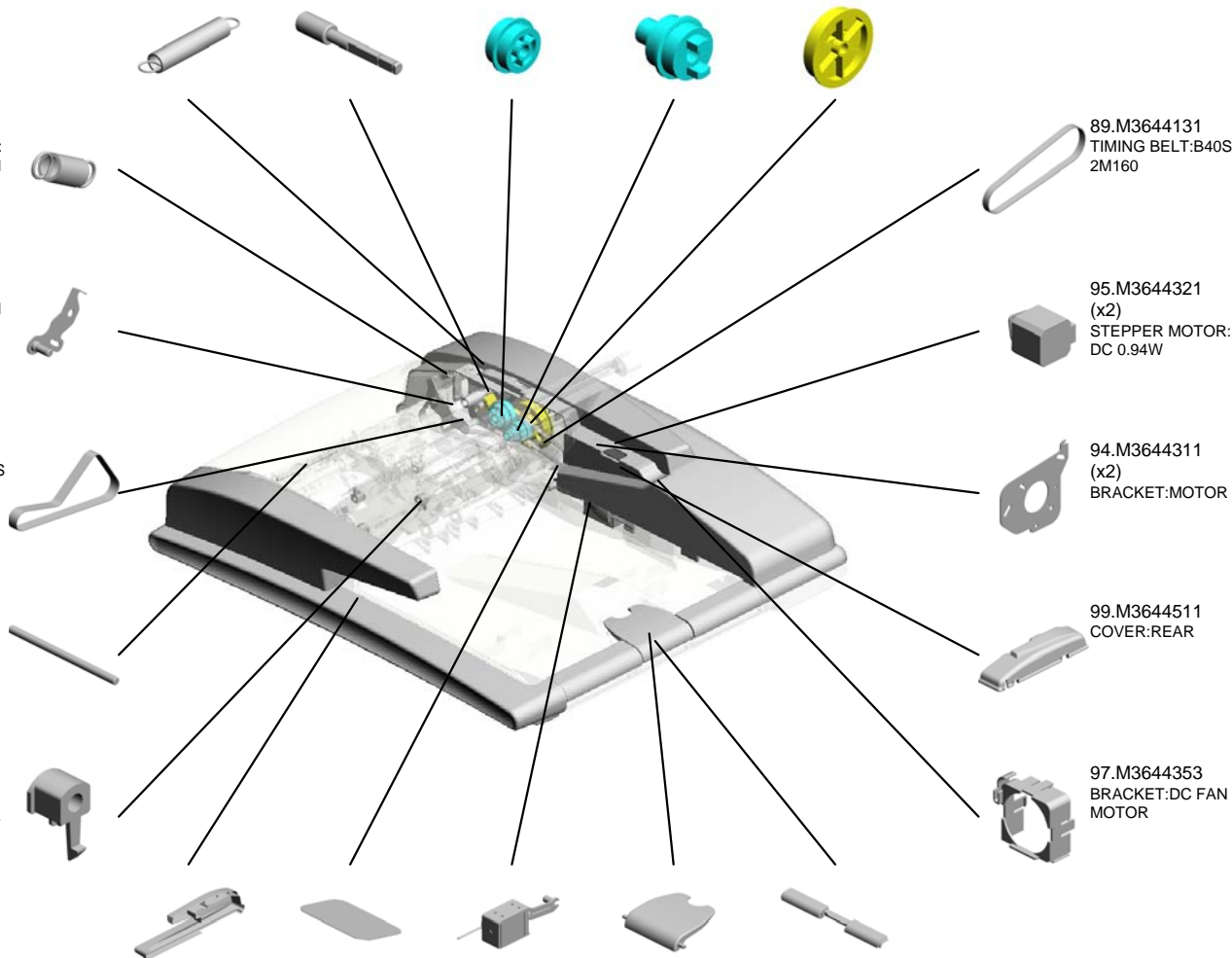
89.M3644131 TIMING BELT:B40S 2M160

95.M3644321 (x2) STEPPER MOTOR: DC 0.94W

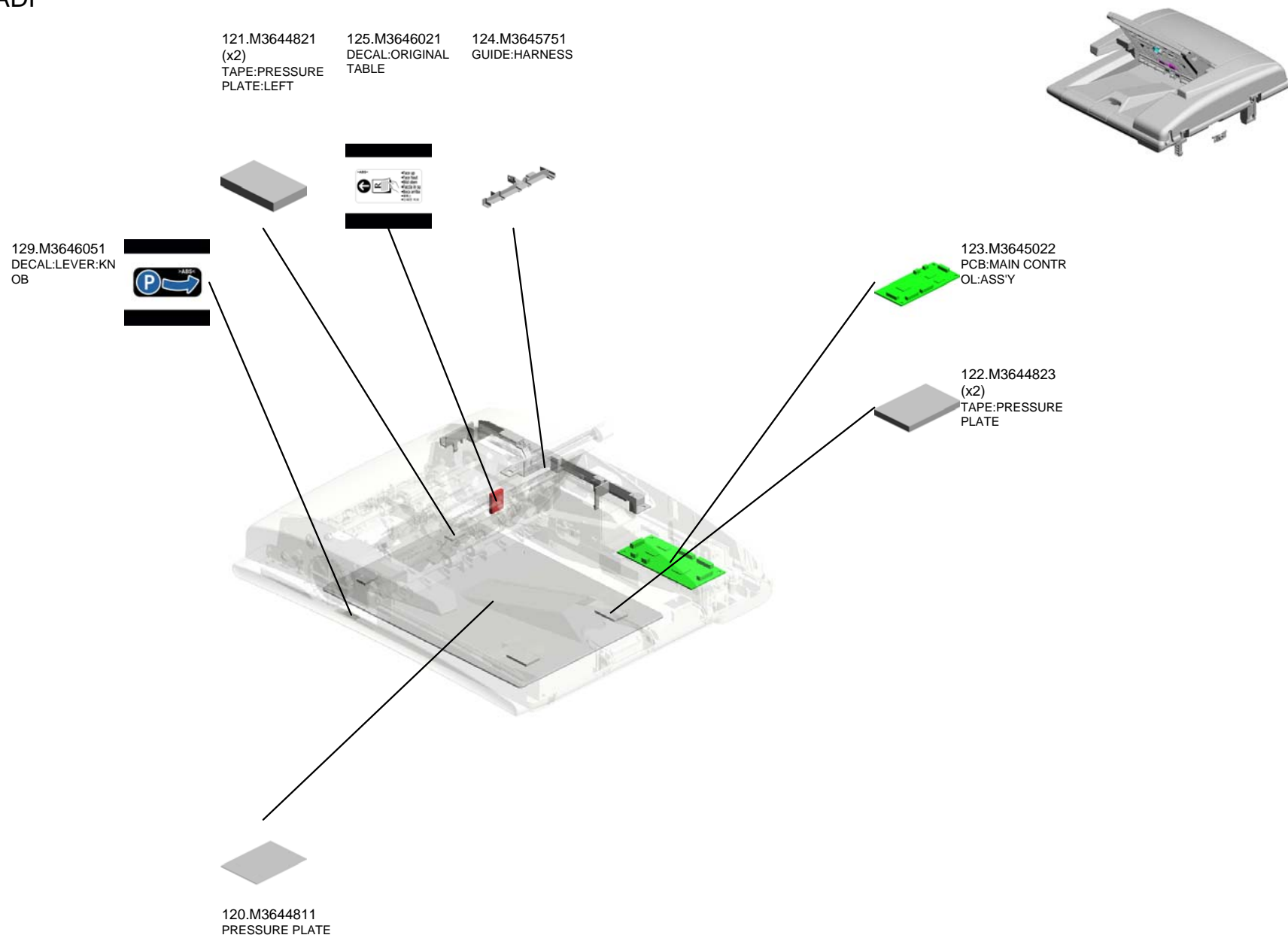
94.M3644311 (x2) BRACKET:MOTOR

99.M3644511 COVER:REAR

97.M3644353 BRACKET:DC FAN MOTOR



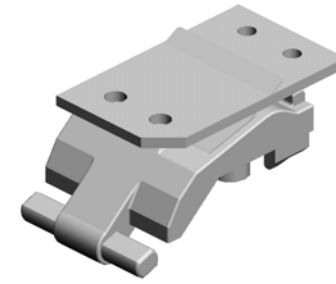
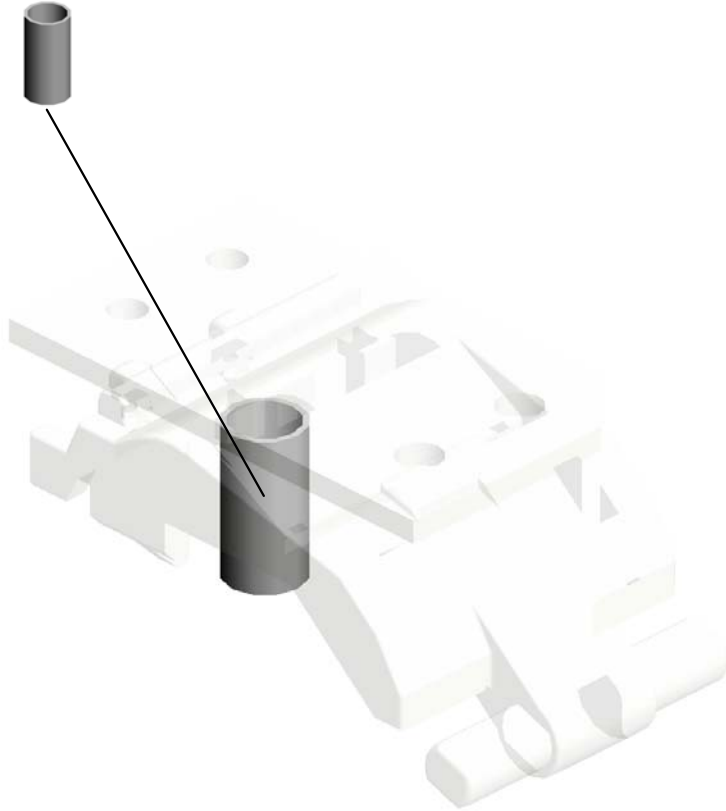
U003  
ADF



U001	U002	U003	U004	U005	U006	U007	U008	U009	U010	U011	U012	U013	U014	U015	U016	U017	U018
------	------	------	------	------	------	------	------	------	------	------	------	------	------	------	------	------	------

U003\_S001  
HOLDER: FRICTION PAD: ASS'Y

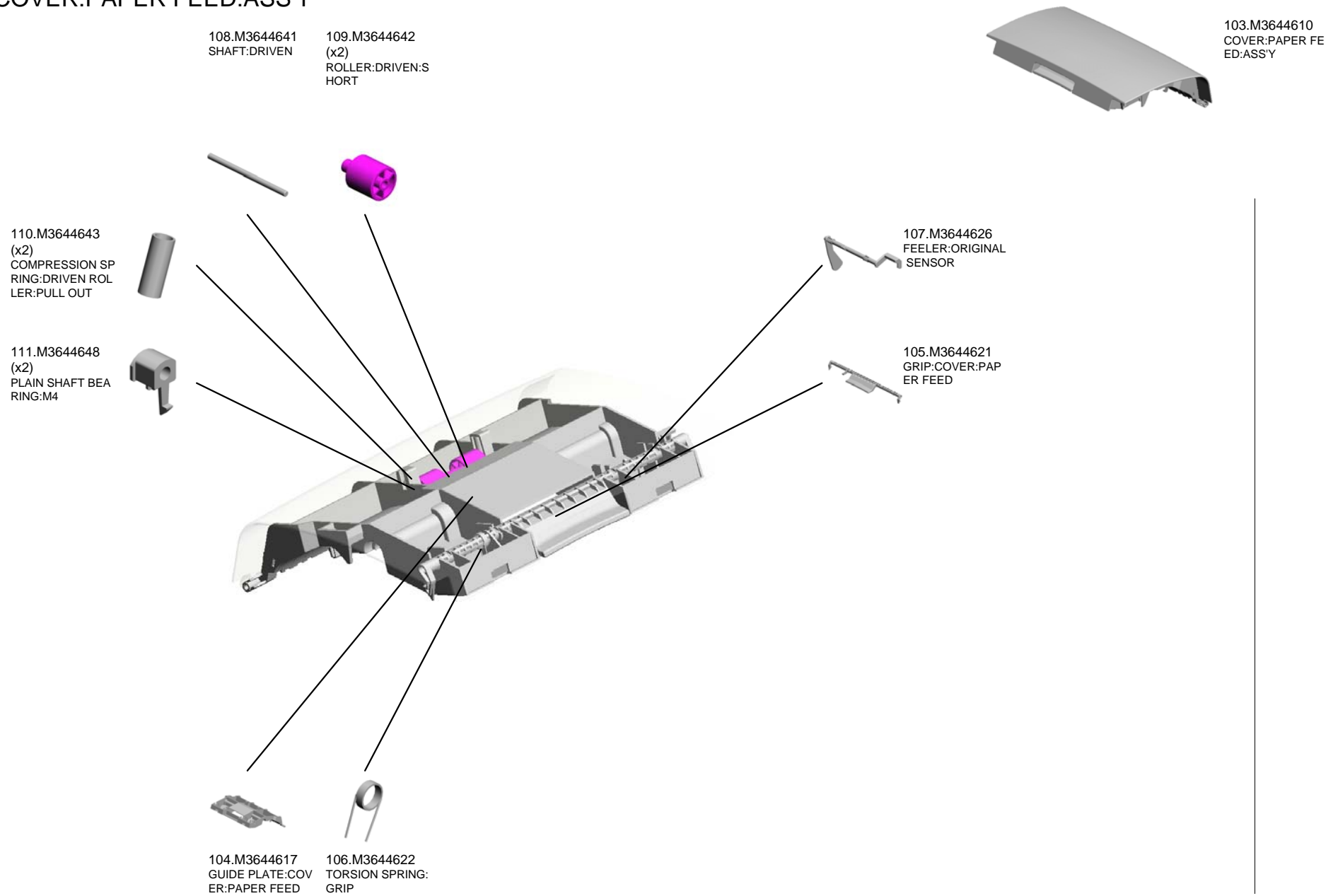
63.M3642213  
COMPRESSION SP  
RING: SEPARATIO  
N



62.M3642211  
HOLDER: FRICTION  
PAD: ASS'Y

U001	U002	U003	U004	U005	U006	U007	U008	U009	U010	U011	U012	U013	U014	U015	U016	U017	U018
------	------	------	------	------	------	------	------	------	------	------	------	------	------	------	------	------	------

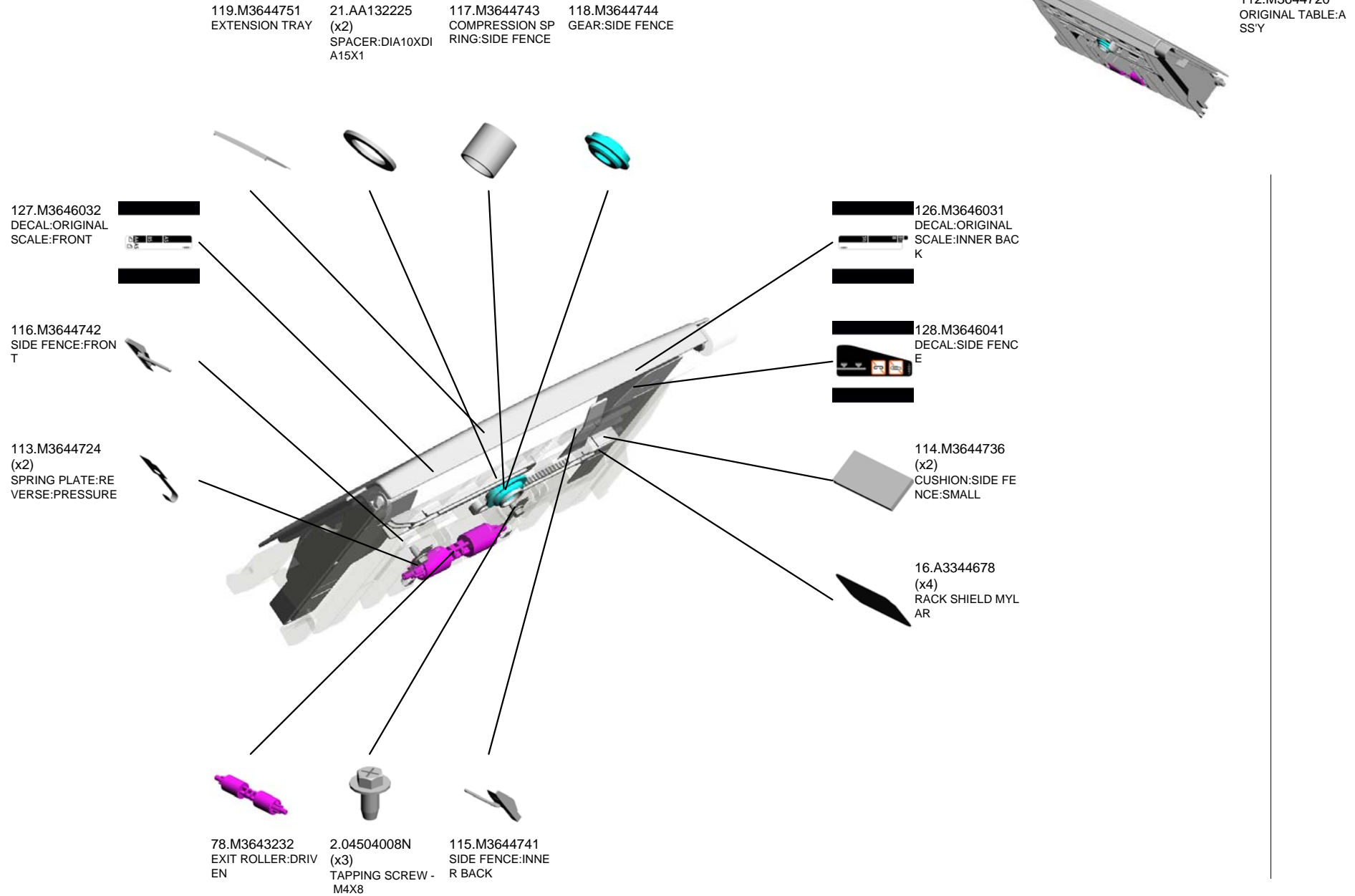
U003\_S002  
COVER:PAPER FEED:ASS'Y



U001	U002	U003	U004	U005	U006	U007	U008	U009	U010	U011	U012	U013	U014	U015	U016	U017	U018
------	------	------	------	------	------	------	------	------	------	------	------	------	------	------	------	------	------



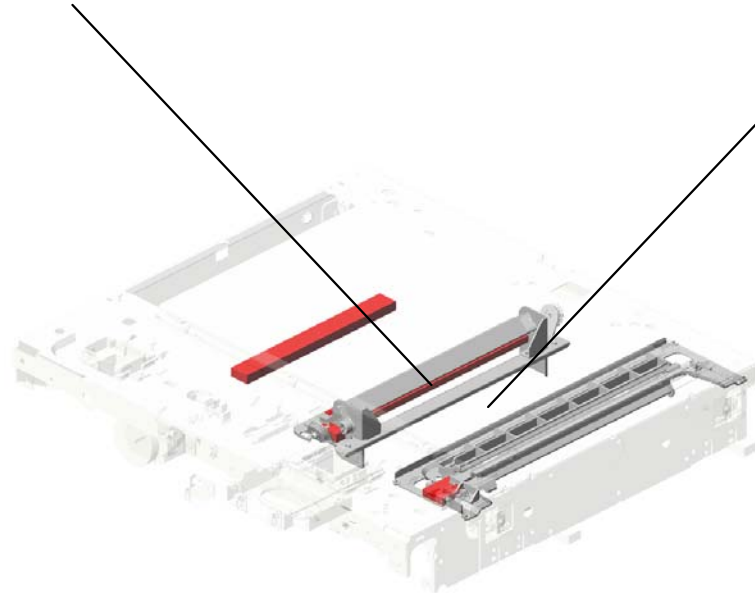
U003\_S003  
ORIGINAL TABLE:ASS'Y



U001	U002	U003	U004	U005	U006	U007	U008	U009	U010	U011	U012	U013	U014	U015	U016	U017	U018
------	------	------	------	------	------	------	------	------	------	------	------	------	------	------	------	------	------

# U004.SCANNER

U004\_S002  
M0261771  
CARRIAGE:NO.2:ASS'Y



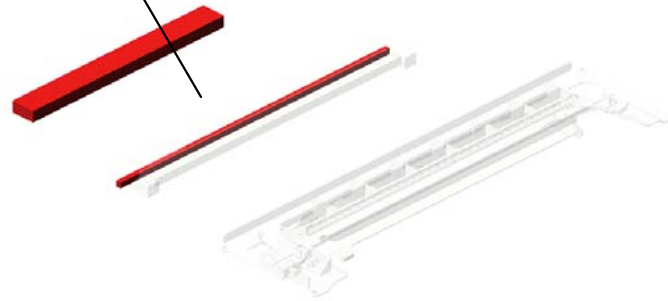
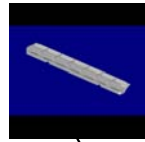
U004\_S001  
M0261800  
CARRIAGE:NO.1:ASS'Y



U001	U002	U003	U004	U005	U006	U007	U008	U009	U010	U011	U012	U013	U014	U015	U016	U017	U018
------	------	------	------	------	------	------	------	------	------	------	------	------	------	------	------	------	------

# U004\_S001.CARRIAGE:NO.1:ASS'Y

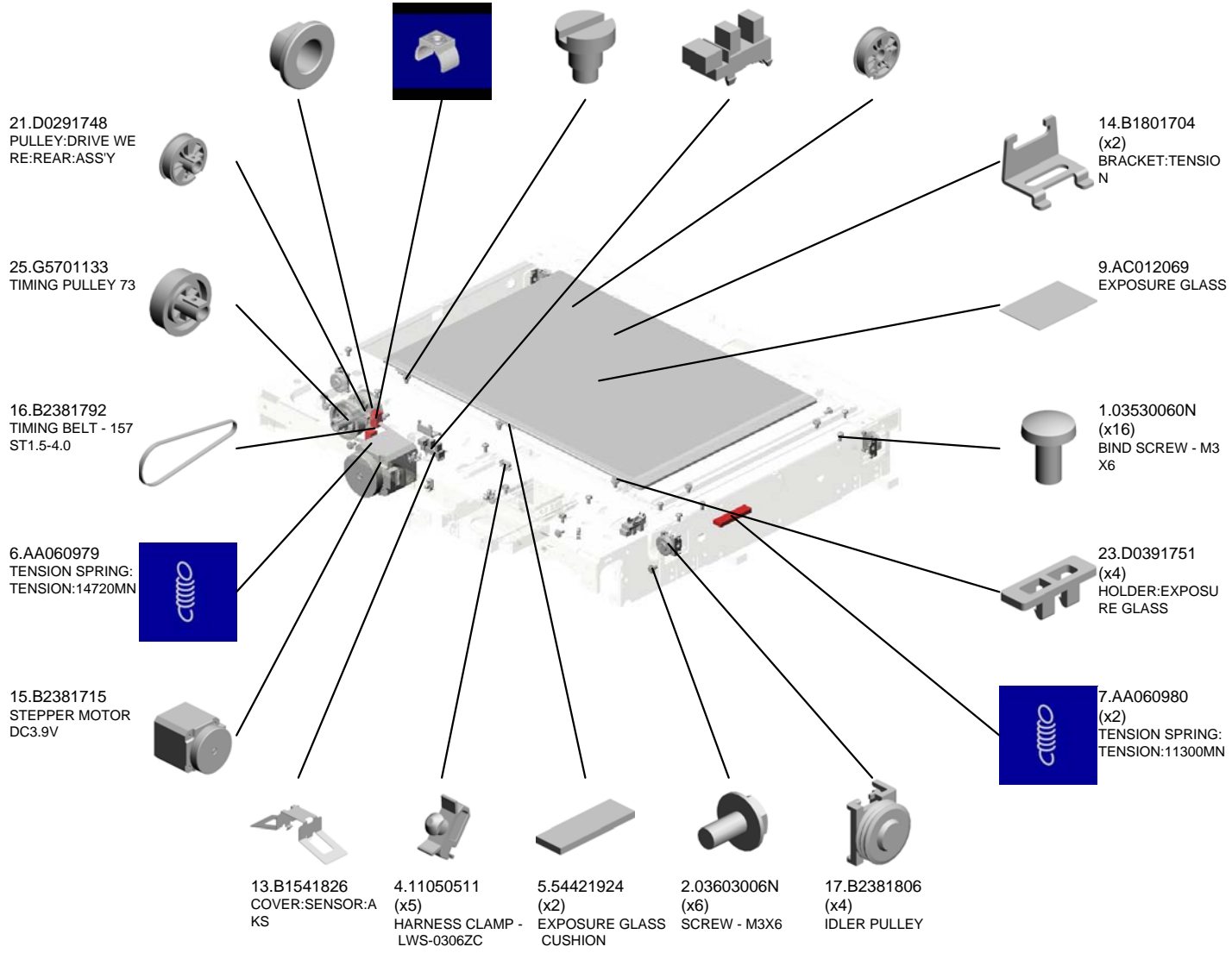
U004\_S001\_S001  
M0261802  
ILLUMINATION UNIT:LED-B:A  
SS'Y



U001	U002	U003	U004	U005	U006	U007	U008	U009	U010	U011	U012	U013	U014	U015	U016	U017	U018
------	------	------	------	------	------	------	------	------	------	------	------	------	------	------	------	------	------

# U004 SCANNER

- 8.AA082144 (x2) BUSHING - 8X12X7
- 22.D0291749 PULLEY:PROTECTI ON
- 19.B3901759 (x5) SHAFT:SCALE
- 12.AW020145 (x2) PHOTOINTERRUP TOR:FLAT
- 20.D0291745 PULLEY:DRIVE WE RE:FRONT



U001	U002	U003	U004	U005	U006	U007	U008	U009	U010	U011	U012	U013	U014	U015	U016	U017	U018
------	------	------	------	------	------	------	------	------	------	------	------	------	------	------	------	------	------

# U004 SCANNER

36.M0261762  
SHAFT:SCANNER:  
DRIVE

27.M0261700  
SCALE:INNER BAC  
K:PRINTING

35.M0261751  
HOLDER:LENS:AS  
S'Y

41.M0261791  
INNER COVER:SC  
ANNER

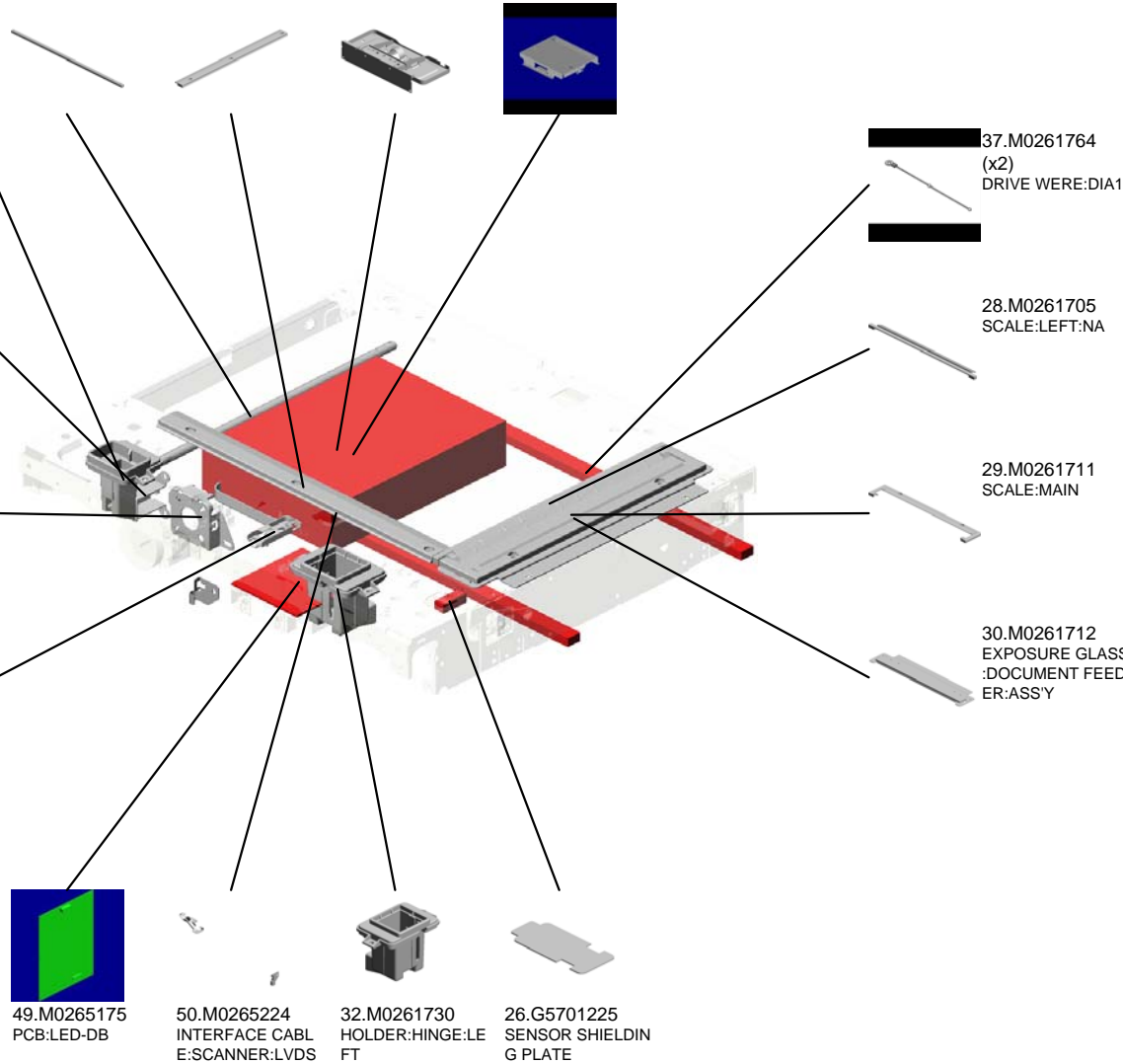


33.M0261732  
HOLDER:HINGE:RI  
GHT

34.M0261733  
BRACKET:HOLDER  
:HINGE

38.M0261768  
BRACKET:DC STE  
PPER MOTOR

31.M0261721  
GUIDE:HARNES



37.M0261764  
(x2)  
DRIVE WERE:DIA1

28.M0261705  
SCALE:LEFT:NA

29.M0261711  
SCALE:MAIN

30.M0261712  
EXPOSURE GLASS  
:DOCUMENT FEED  
ER:ASS'Y

49.M0265175  
PCB:LED-DB

50.M0265224  
INTERFACE CABL  
E:SCANNER:LVDS

32.M0261730  
HOLDER:HINGE:LE  
FT

26.G5701225  
SENSOR SHIELDIN  
G PLATE

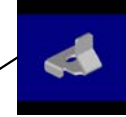
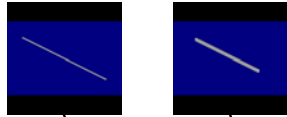
U004\_S001  
 CARRIAGE:NO.1:ASS'Y

44.M0261805 10.AC030177  
 REFLECTOR:SCAN MIRROR:NO.1  
 NER



42.M0261800  
 CARRIAGE:NO.1:A  
 SS'Y

47.M0261814  
 SHEET:GUIDE:HAR  
 NESS:LED-B



46.M0261813  
 (x2)  
 CLAMP:WIRE



48.M0261815  
 (x2)  
 CLAMP:MIRROR:N  
 O.1

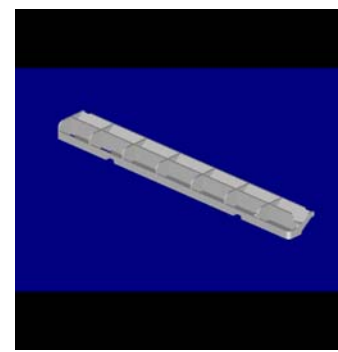
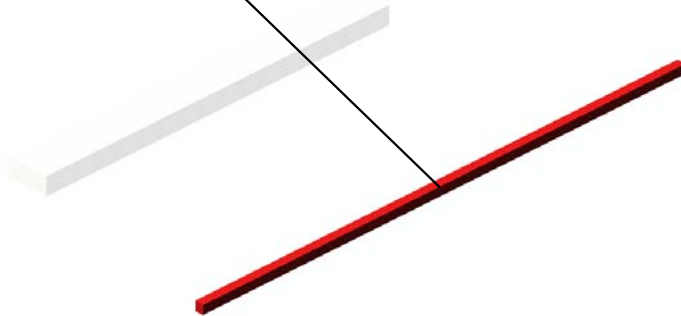


45.M0261812  
 GUIDE:HARNESS:L  
 ED-B

U001	U002	U003	U004	U005	U006	U007	U008	U009	U010	U011	U012	U013	U014	U015	U016	U017	U018
------	------	------	------	------	------	------	------	------	------	------	------	------	------	------	------	------	------

U004\_S001\_S001  
ILLUMINATION UNIT:LED-B:ASS'Y

44.M0261805  
REFLECTOR:SCAN  
NER



43.M0261802  
ILLUMINATION UNI  
T:LED-B:ASS'Y

U001	U002	U003	U004	U005	U006	U007	U008	U009	U010	U011	U012	U013	U014	U015	U016	U017	U018
------	------	------	------	------	------	------	------	------	------	------	------	------	------	------	------	------	------

U004\_S002  
CARRIAGE:NO.2:ASS'Y

18.B2381807  
(x2)  
PULLEY

40.M0261778  
GUIDE:FFC



39.M0261771  
CARRIAGE:NO.2:A  
SS'Y

3.07200040E  
(x2)  
RETAINING RING -  
M4



11.AC030178  
(x2)  
MIRROR:NO.2



24.G4042810  
(x4)  
SPRING PLATE - 2  
ND MIRROR



1.03530060N  
BIND SCREW - M3  
X6

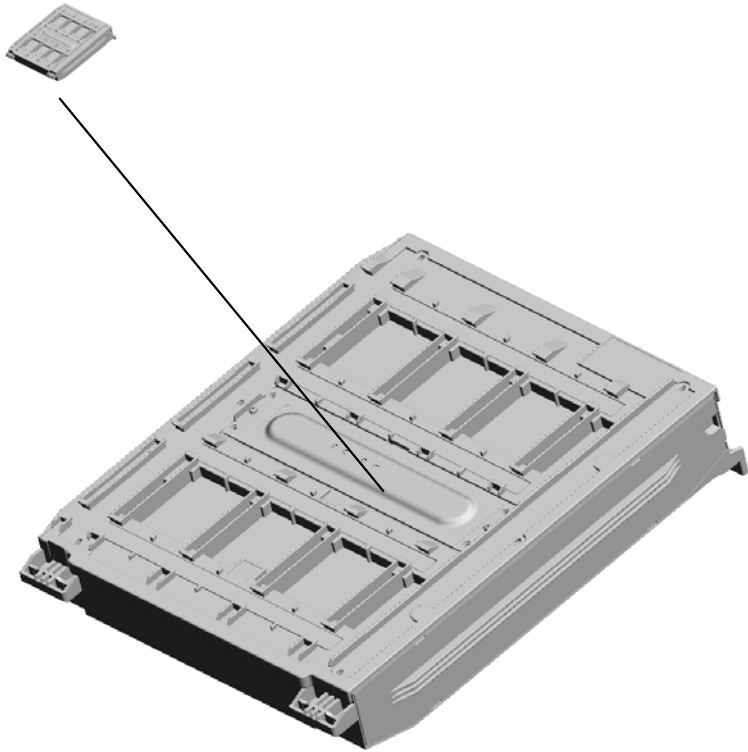


U001	U002	U003	U004	U005	U006	U007	U008	U009	U010	U011	U012	U013	U014	U015	U016	U017	U018
------	------	------	------	------	------	------	------	------	------	------	------	------	------	------	------	------	------



U005  
LASER UNIT

1.M0261855  
IMAGING UNIT:SE  
RVICE PARTS



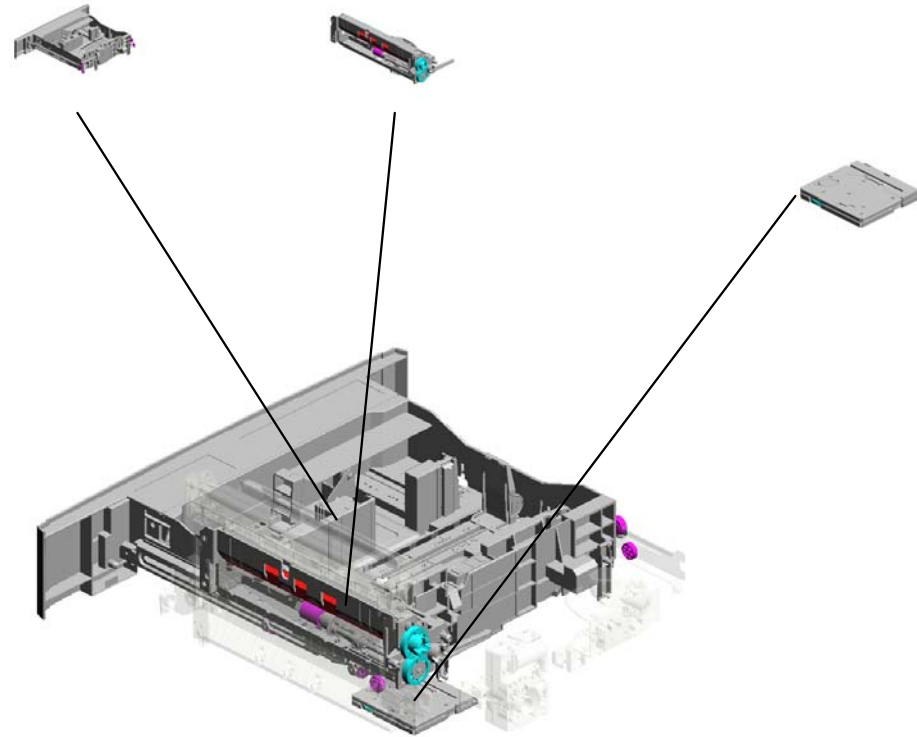
U001	U002	U003	U004	<b>U005</b>	U006	U007	U008	U009	U010	U011	U012	U013	U014	U015	U016	U017	U018
------	------	------	------	-------------	------	------	------	------	------	------	------	------	------	------	------	------	------

# U006.PAPER FEED

U006\_S002  
M0262900  
PAPER TRAY:ASSY

U006\_S001  
M0262750  
PAPER FEED UNIT

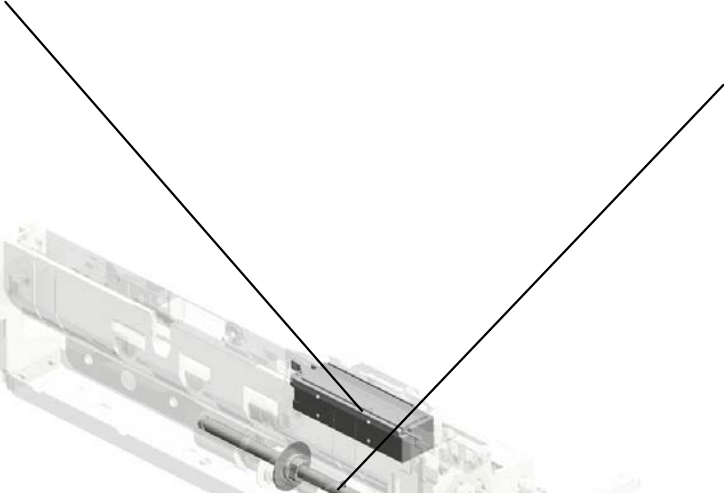
U006\_S003  
M0262985  
LEVER:STRETCH:TRAY



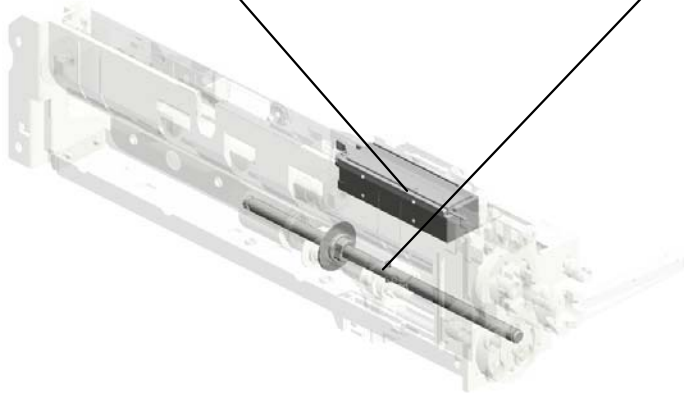
U001	U002	U003	U004	U005	<b>U006</b>	U007	U008	U009	U010	U011	U012	U013	U014	U015	U016	U017	U018
------	------	------	------	------	-------------	------	------	------	------	------	------	------	------	------	------	------	------

# U006\_S001.PAPER FEED UNIT

U006\_S001\_S001  
M0262780  
DC SOLENOID:PICKUP:ASS'  
Y



U006\_S001\_S002  
M0262810  
SHAFT:SEPARATE:DRIVEN:A  
SS'Y



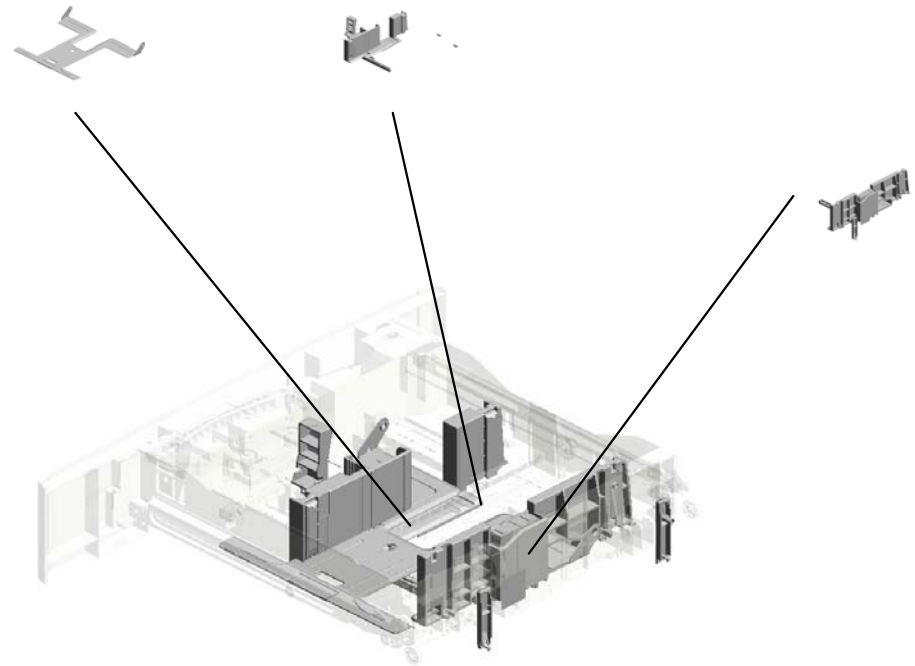
U001	U002	U003	U004	U005	<b>U006</b>	U007	U008	U009	U010	U011	U012	U013	U014	U015	U016	U017	U018
------	------	------	------	------	-------------	------	------	------	------	------	------	------	------	------	------	------	------

# U006\_S002.PAPER TRAY:ASS'Y

U006\_S002\_S003  
M0262940  
TRAY BOTTOM PLATE:ASS'Y

U006\_S002\_S001  
M0262920  
SIDE FENCE:FRONT:ASS'Y

U006\_S002\_S002  
M0262930  
SIDE FENCE:REAR:ASS'Y



U001	U002	U003	U004	U005	<b>U006</b>	U007	U008	U009	U010	U011	U012	U013	U014	U015	U016	U017	U018
------	------	------	------	------	-------------	------	------	------	------	------	------	------	------	------	------	------	------

# U006 PAPER FEED

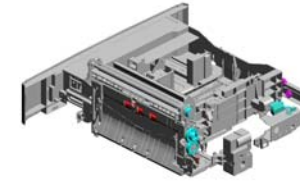
49.M0262552  
REGISTRATION R  
OLLER:DRIVEN

31.AW010107  
PAPER FEED SEN  
SOR

7.08025299  
TAPPING SCREW -  
M3X8

44.B2382655  
GEAR - 16Z

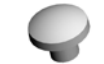
9.08050092  
(x2)  
RETAINING RING -  
3M



16.AA082075  
(x2)  
BUSHING - M6



1.03530030N  
(x2)  
SCREW:M3X3



48.M0262551  
REGISTRATION R  
OLLER:DRIVE



21.AA161163  
CUSHION



30.AF040571  
(x3)  
GUIDE ROLLER



11.52062686  
(x2)  
SNAP RING



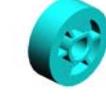
5.04543008Q  
(x6)  
TAPPING SCREW:  
3X8



4.04543006Q  
(x17)  
TAPPING SCREW -  
M3X6



50.M0262553  
GEAR:REGISTRATI  
ON:26Z



10.11050511  
(x2)  
HARNES CLAMP -  
LWS-0306ZC



45.B2382675  
(x2)  
REGISTRATION R  
OLLER BUSHING



8.08050089  
(x3)  
RETAINING RING -  
M4



37.B2232730  
PAPER TRAY STO  
PPER ASSY



34.AW500038  
PUSH SWITCH:PA  
PER SIZE SENSOR



35.AX040154  
DC MOTOR 24V



U001	U002	U003	U004	U005	<b>U006</b>	U007	U008	U009	U010	U011	U012	U013	U014	U015	U016	U017	U018
------	------	------	------	------	-------------	------	------	------	------	------	------	------	------	------	------	------	------

# U006 PAPER FEED

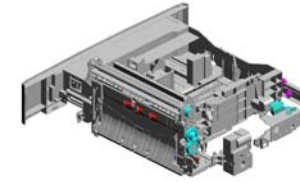
55.M0262574  
ROLLER:REMOVE  
PAPER DUST

54.M0262571  
CASE:REMOVE PA  
PER DUST

59.M0262583  
COVER:REMOVE P  
APER DUST:ADHE  
SION

57.M0262577  
SHEET:COVER:RE  
MOVE PAPER DUS  
T

65.M0262719  
ROLLER:SUPPORT  
ER:LEFT:PAPER T  
RAY



58.M0262581  
GEAR:ROLLER:RE  
MOVE PAPER DUS  
T



53.M0262567  
GUIDE PLATE:REG  
ISTRATION:RIGHT



56.M0262575  
CUSHION:REMOV  
E PAPER DUST



60.M0262584  
SHEET:REMOVE P  
APER DUST:RIGHT



69.M0262726  
ROLLER:SUPPORT  
ER:RIGHT:PAPER  
TRAY



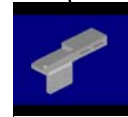
64.M0262715  
SUPPORTER:RIGH  
T:ASS'Y



87.M0262835  
GUIDE PLATE:SWI  
VEL



63.M0262714  
SPACER:SEPARAT  
E



61.M0262585  
GUIDE:HARNES  
S:REGISTRATION



51.M0262554  
GEAR:REGISTRATI  
ON-DRIVEN:14Z



62.M0262710  
SUPPORTER:LEFT  
:ASS'Y



52.M0262555  
(x2)  
TENSION SPRING:  
REGISTRATION:7N



67.M0262722  
COVER:STOPPER:  
PAPER TRAY



66.M0262721  
BRACKET:PUSH S  
WITCH

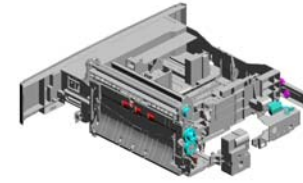


68.M0262723  
BRACKET:HARNES  
S:HEATER

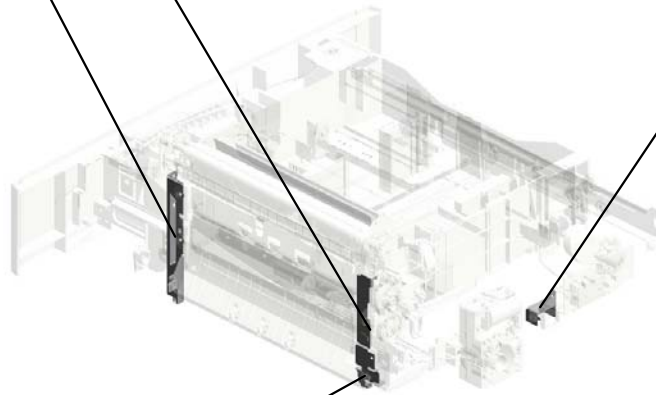


# U006 PAPER FEED

88.M0262848  
COVER:HARNES



115.M0262950  
BRACKET:PAPER  
FEED UNIT



114.M0262948  
COVER:CONNECT  
OR



118.M0262988  
CLIP:STRETCH:UN



U001	U002	U003	U004	U005	<b>U006</b>	U007	U008	U009	U010	U011	U012	U013	U014	U015	U016	U017	U018
------	------	------	------	------	-------------	------	------	------	------	------	------	------	------	------	------	------	------

# U006\_S001 PAPER FEED UNIT

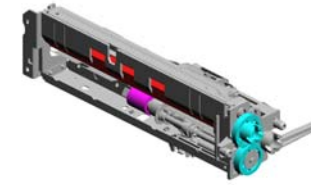
3.04513006N  
(x11)  
TAPPING SCREW -  
3X6

28.AF031090  
PAPER FEED ROL-  
LER:FEED

32.AW010146  
PHOTO REFLECTIO  
N SENSOR:PAPER  
FEED

24.AB011218  
GEAR - ROLLER C  
LUTCH

29.AF032090  
PAPER FEED ROL-  
LER:SEPARATE



70.M0262750  
PAPER FEED UNIT

10.11050511  
HARNESS CLAMP -  
LWS-0306ZC

18.AA082143  
(x5)  
BUSHING - 6X10X6

31.AW010107  
PAPER FEED SEN-  
SOR

20.AA100014  
(x2)  
RETAINING RING -  
C - SEPARATE

27.AF030090  
PAPER FEED ROL-  
LER:PICKUP

8.08050089  
(x3)  
RETAINING RING -  
M4

19.AA082150  
PLAIN SHAFT BEA-  
RING:M6

22.AB010156  
GEAR:SEPARATE:  
DRIVE

11.52062686  
(x2)  
SNAP RING

23.AB010157  
GEAR:SEPARATE:  
DRIVEN

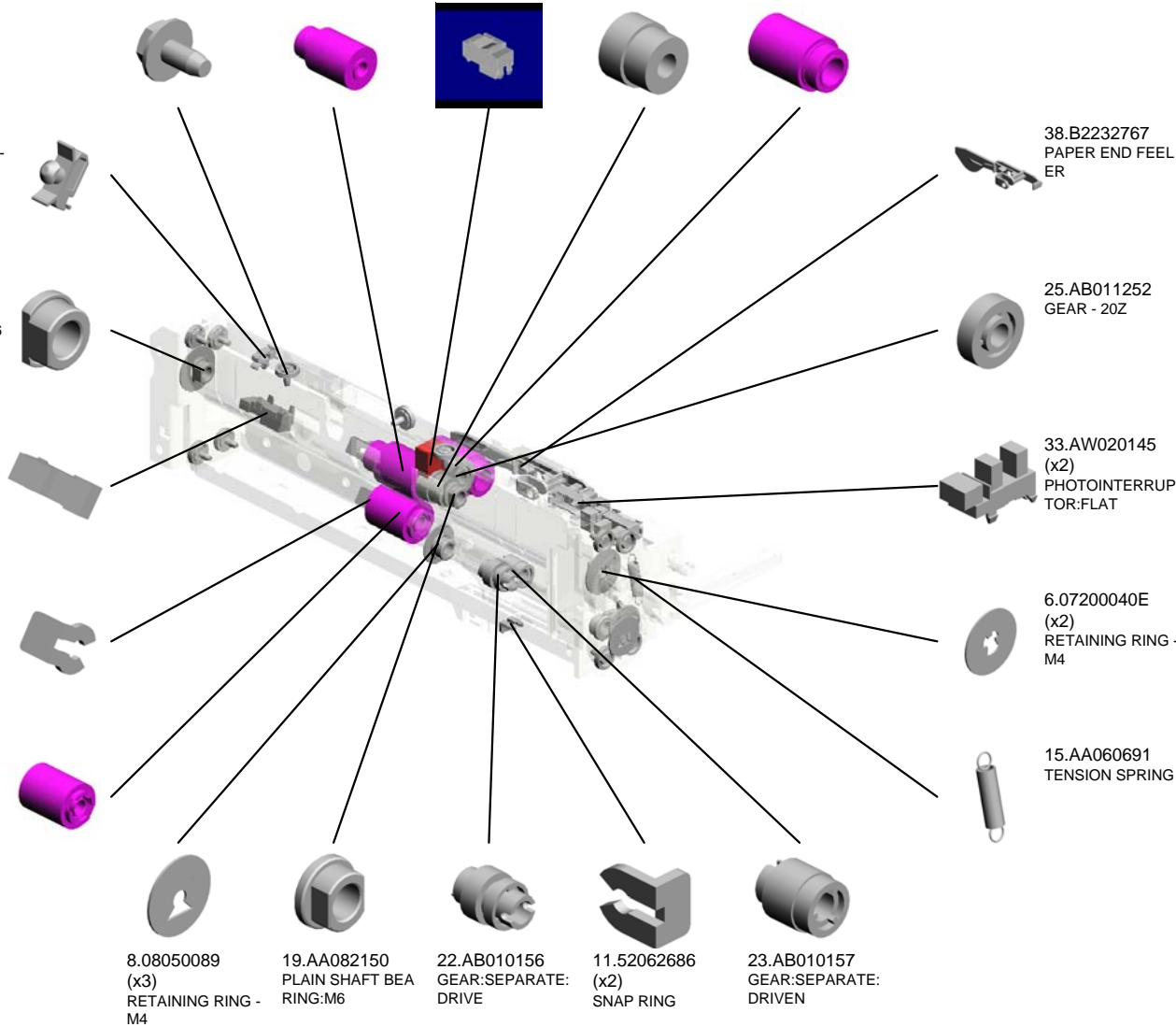
38.B2232767  
PAPER END FEEL-  
ER

25.AB011252  
GEAR - 20Z

33.AW020145  
(x2)  
PHOTOINTERRUP-  
TOR:FLAT

6.07200040E  
(x2)  
RETAINING RING -  
M4

15.AA060691  
TENSION SPRING



U001	U002	U003	U004	U005	<b>U006</b>	U007	U008	U009	U010	U011	U012	U013	U014	U015	U016	U017	U018
------	------	------	------	------	-------------	------	------	------	------	------	------	------	------	------	------	------	------



# U006\_S001 PAPER FEED UNIT

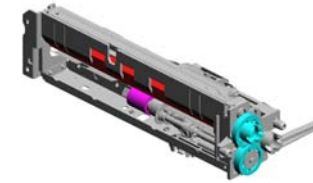
39.B2232829  
FEED GUIDE

74.M0262766  
ROLLER:VERTICAL  
TRANSPORT:DRIV  
E

73.M0262765  
GROUND PLATE:F  
EED

72.M0262763  
SHAFT:FEED

71.M0262761  
ARM:PICKUP



70.M0262750  
PAPER FEED UNIT

78.M0262786  
GROUND PLATE:F  
RONT

86.M0262828  
TORQUE LIMITER

83.M0262807  
TENSION SPRING:  
PRESSURE:SEPAR  
ATE

80.M0262803  
LEVER:PRESSURE  
:SEPARATE

81.M0262804  
LINK:RELEASE

85.M0262815  
SHAFT:SEPARATE:  
DRIVE:ASSY

82.M0262806  
TENSION SPRING:  
RELEASE

75.M0262768  
GEAR:ROLLER:VE  
RTICAL TRANSPO  
RT

47.G0652767  
LEVER - FEED

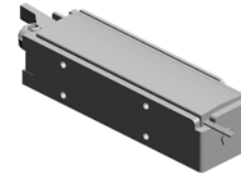
79.M0262787  
LEVER:PRESSURE  
RELEASE

76.M0262769  
JOINT:FEED

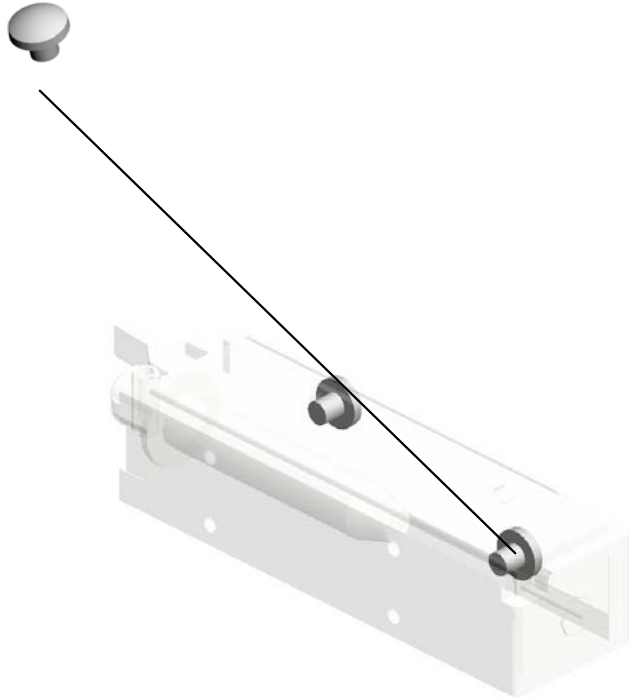
U001	U002	U003	U004	U005	<b>U006</b>	U007	U008	U009	U010	U011	U012	U013	U014	U015	U016	U017	U018
------	------	------	------	------	-------------	------	------	------	------	------	------	------	------	------	------	------	------

U006\_S001\_S001  
DC SOLENOID:PICKUP:ASS'Y

1.03530030N  
(x2)  
SCREW:M3X3



77.M0262780  
DC SOLENOID:PIC  
KUP:ASS'Y



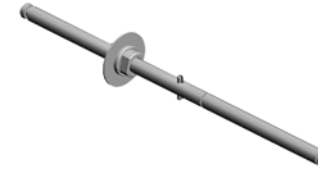
U001	U002	U003	U004	U005	U006	U007	U008	U009	U010	U011	U012	U013	U014	U015	U016	U017	U018
------	------	------	------	------	------	------	------	------	------	------	------	------	------	------	------	------	------

U006\_S001\_S002  
SHAFT:SEPARATE:DRIVEN:ASS'Y

6.07200040E  
RETAINING RING -  
M4



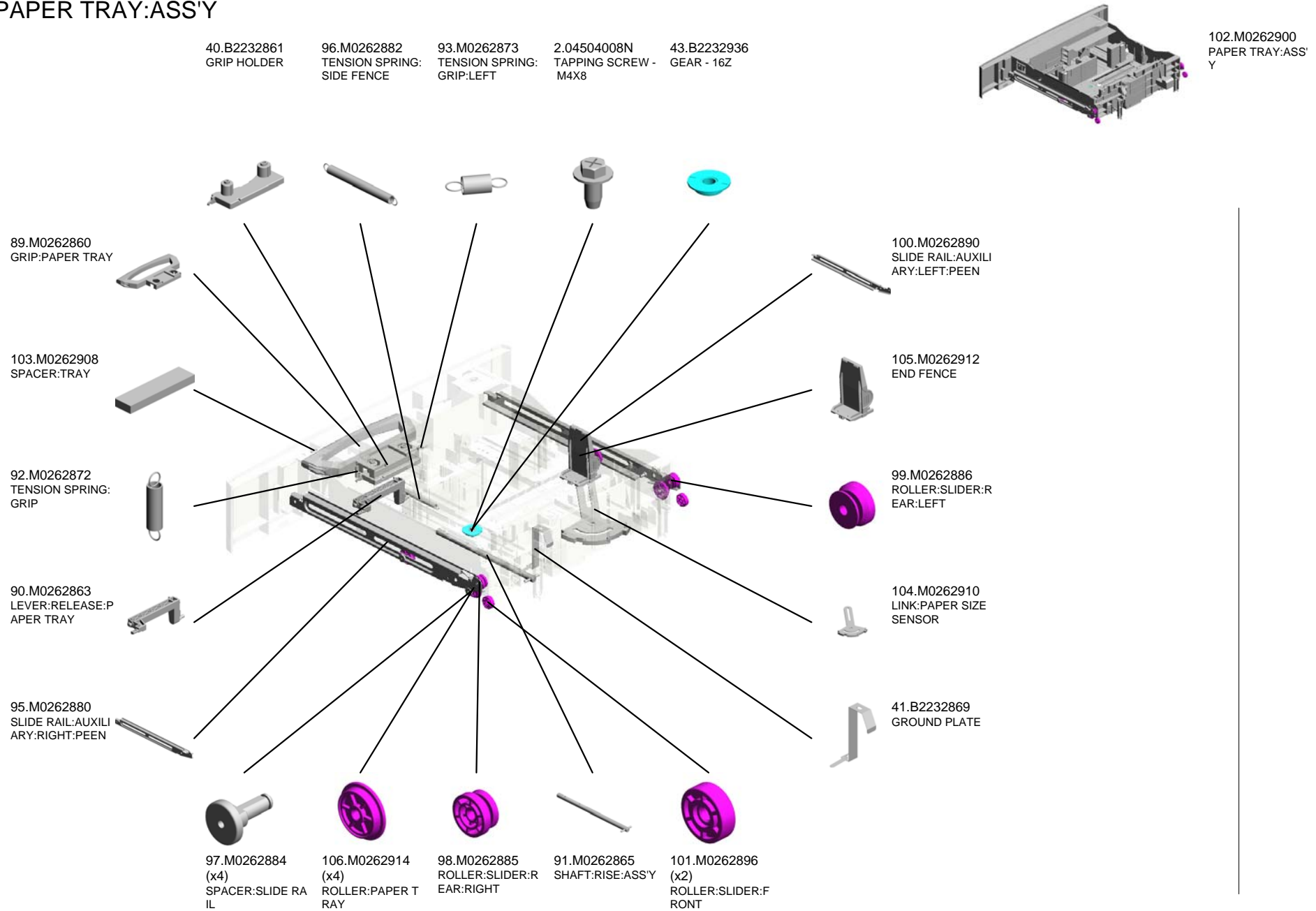
17.AA082101  
BUSHING - 6X10X6



84.M0262810  
SHAFT:SEPARATE:  
DRIVEN:ASS'Y

U001	U002	U003	U004	U005	<b>U006</b>	U007	U008	U009	U010	U011	U012	U013	U014	U015	U016	U017	U018
------	------	------	------	------	-------------	------	------	------	------	------	------	------	------	------	------	------	------

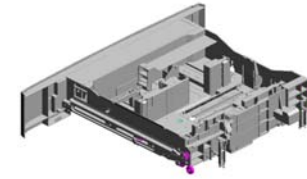
U006\_S002  
PAPER TRAY:ASS'Y



U001	U002	U003	U004	U005	U006	U007	U008	U009	U010	U011	U012	U013	U014	U015	U016	U017	U018
------	------	------	------	------	------	------	------	------	------	------	------	------	------	------	------	------	------

U006\_S002  
PAPER TRAY:ASS'Y

113.M0262946  
COVER:PAPER TR  
AY

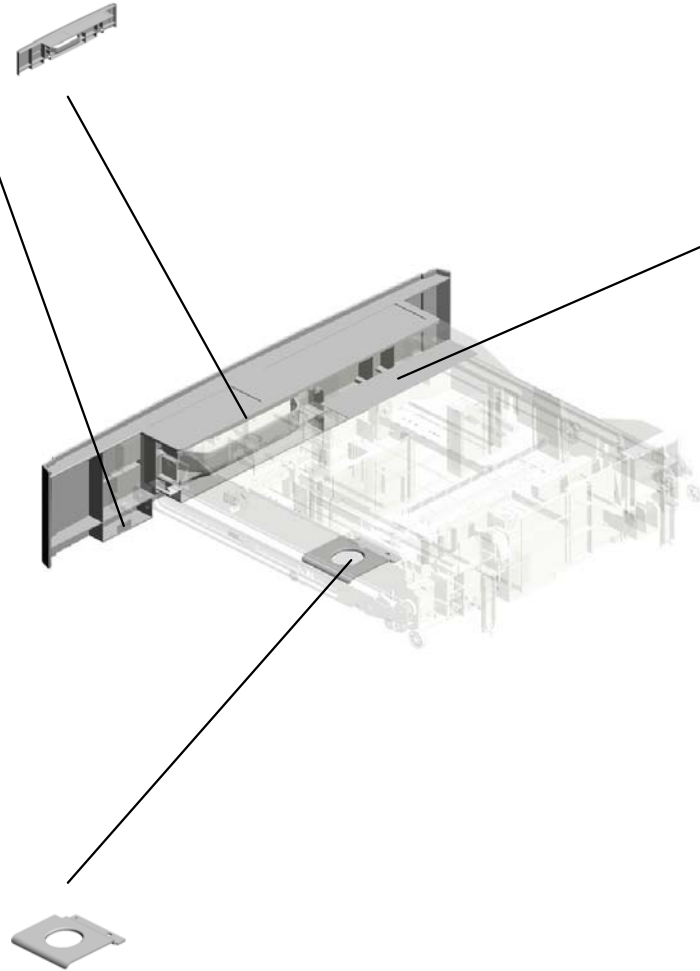
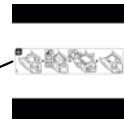


102.M0262900  
PAPER TRAY:ASS'  
Y

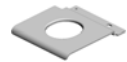
111.M0262938  
DECAL:COVER:PA  
PER TRAY



110.M0262936  
DECAL:PAPER SE  
T DIRECTION:TRA  
Y:LEFT



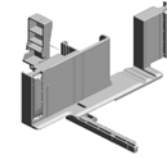
107.M0262918  
LEVER:RISE



U001	U002	U003	U004	U005	<b>U006</b>	U007	U008	U009	U010	U011	U012	U013	U014	U015	U016	U017	U018
------	------	------	------	------	-------------	------	------	------	------	------	------	------	------	------	------	------	------

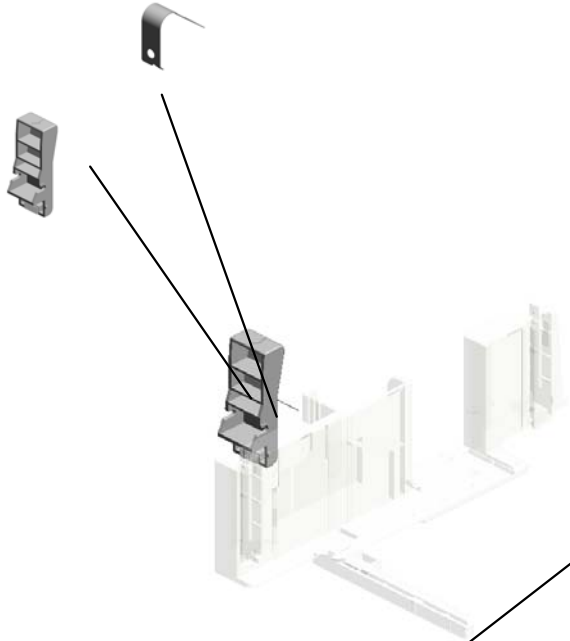
U006\_S002\_S001  
SIDE FENCE:FRONT:ASS'Y

36.B0042923  
SPRING PLATE - R  
RELEASE LEVER

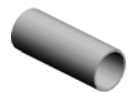


108.M0262920  
SIDE FENCE:FRON  
T:ASS'Y

42.B2232923  
STOPPER LEVER -  
FRONT



46.D0392823  
COMPRESSION SP  
RING:SIDE FENCE:  
PLATE:FRONT



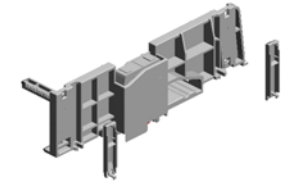
94.M0262874  
COMPRESSION SP  
RING:SIDE FENCE:  
PLATE:REAR

U001	U002	U003	U004	U005	<b>U006</b>	U007	U008	U009	U010	U011	U012	U013	U014	U015	U016	U017	U018
------	------	------	------	------	-------------	------	------	------	------	------	------	------	------	------	------	------	------

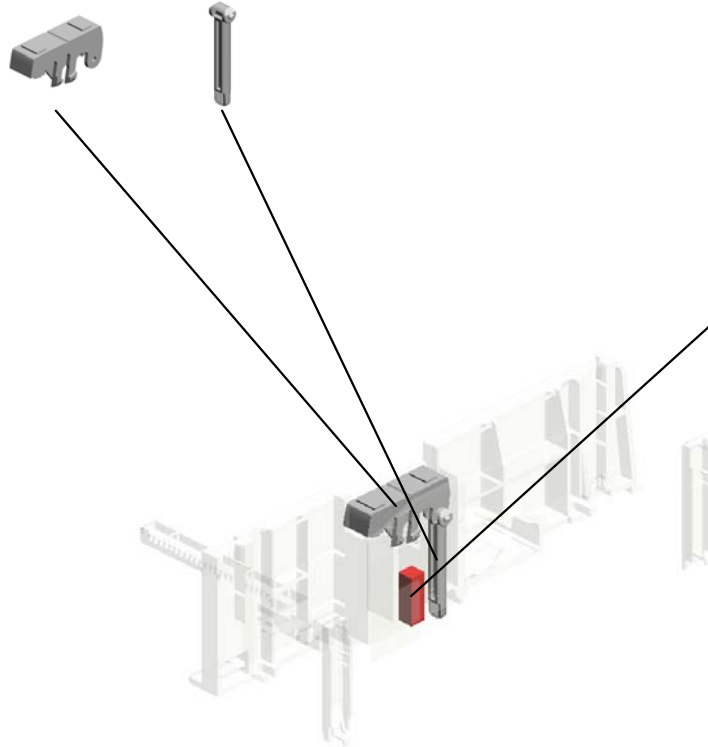
U006\_S002\_S002  
SIDE FENCE:REAR:ASS'Y

14.A2672860  
REAR LEVER STO  
PPER

13.A2672859  
SIDE FENCE STOP  
PER



109.M0262930  
SIDE FENCE:REAR  
:ASS'Y

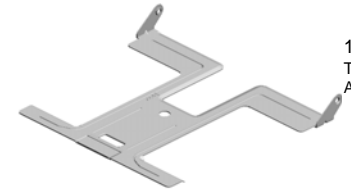


12.A2672857  
SPRING PLATE - SI  
DE FENCE

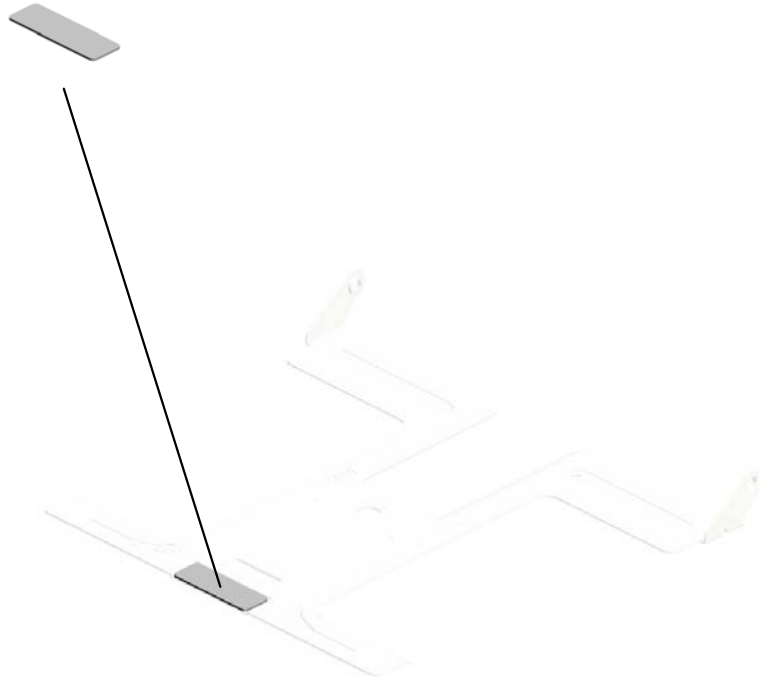
U001	U002	U003	U004	U005	<b>U006</b>	U007	U008	U009	U010	U011	U012	U013	U014	U015	U016	U017	U018
------	------	------	------	------	-------------	------	------	------	------	------	------	------	------	------	------	------	------

U006\_S002\_S003  
TRAY BOTTOM PLATE:ASS'Y

26.AF013006  
BOTTOM PLATE P  
AD



112.M0262940  
TRAY BOTTOM PL  
ATE:ASS'Y

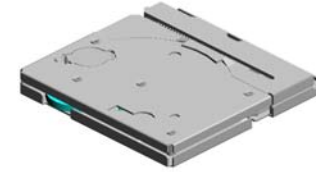
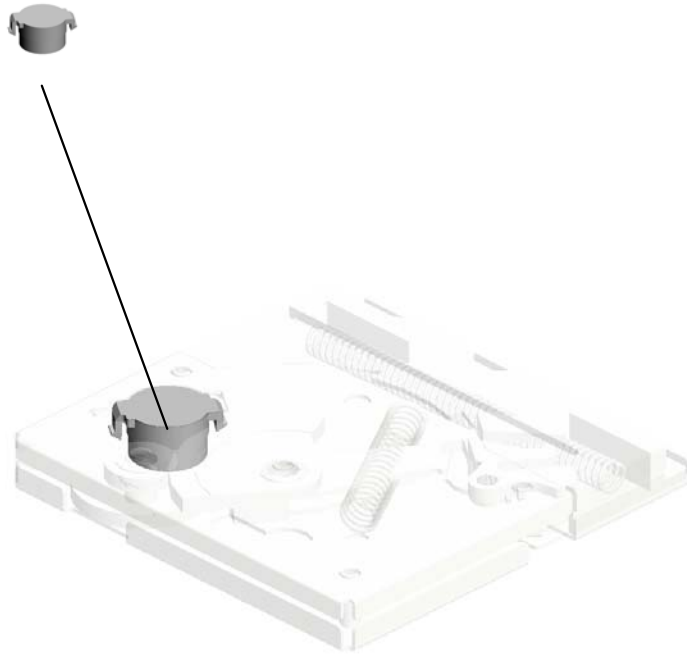


U001	U002	U003	U004	U005	<b>U006</b>	U007	U008	U009	U010	U011	U012	U013	U014	U015	U016	U017	U018
------	------	------	------	------	-------------	------	------	------	------	------	------	------	------	------	------	------	------



U006\_S003  
LEVER:STRETCH:TRAY

116.M0262982  
OIL DAMPER:30MN



117.M0262985  
LEVER:STRETCH:T  
RAY

U001	U002	U003	U004	U005	<b>U006</b>	U007	U008	U009	U010	U011	U012	U013	U014	U015	U016	U017	U018
------	------	------	------	------	-------------	------	------	------	------	------	------	------	------	------	------	------	------

# U007.TONER SUPPLY

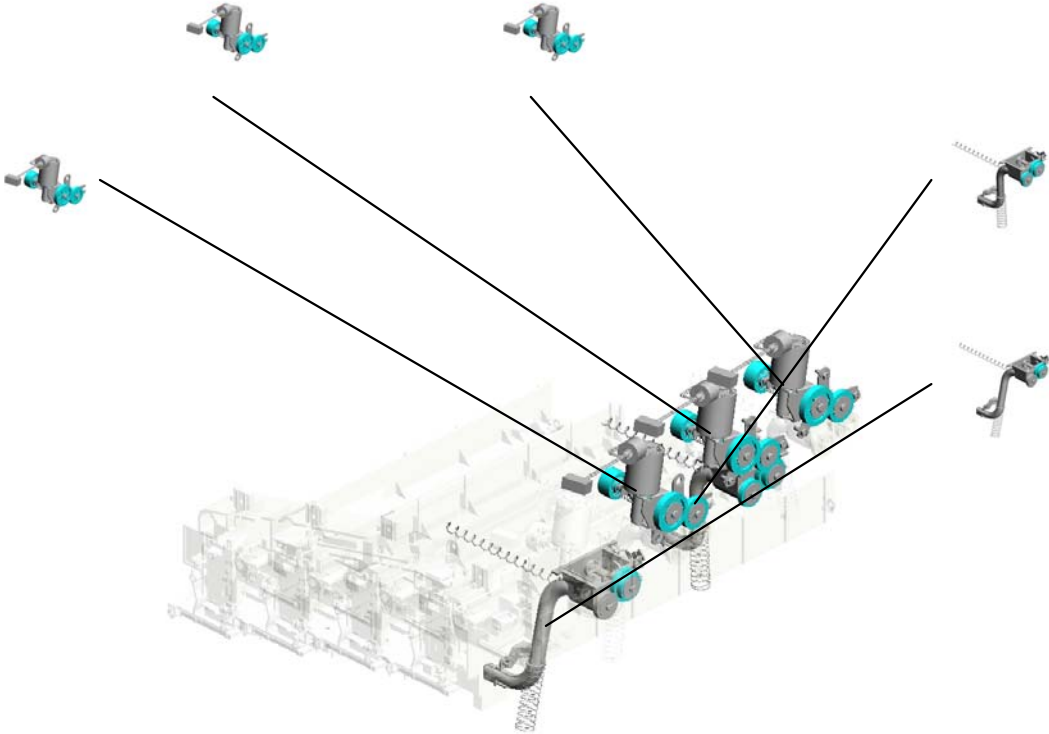
U007\_S004  
M0263208  
DC MOTOR:LINE:ASS'Y:0.53  
W

U007\_S005  
M0263208  
DC MOTOR:LINE:ASS'Y:0.53  
W

U007\_S002  
M0263208  
DC MOTOR:LINE:ASS'Y:0.53  
W

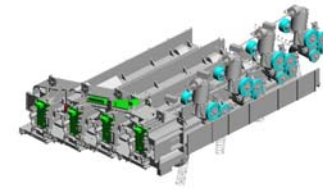
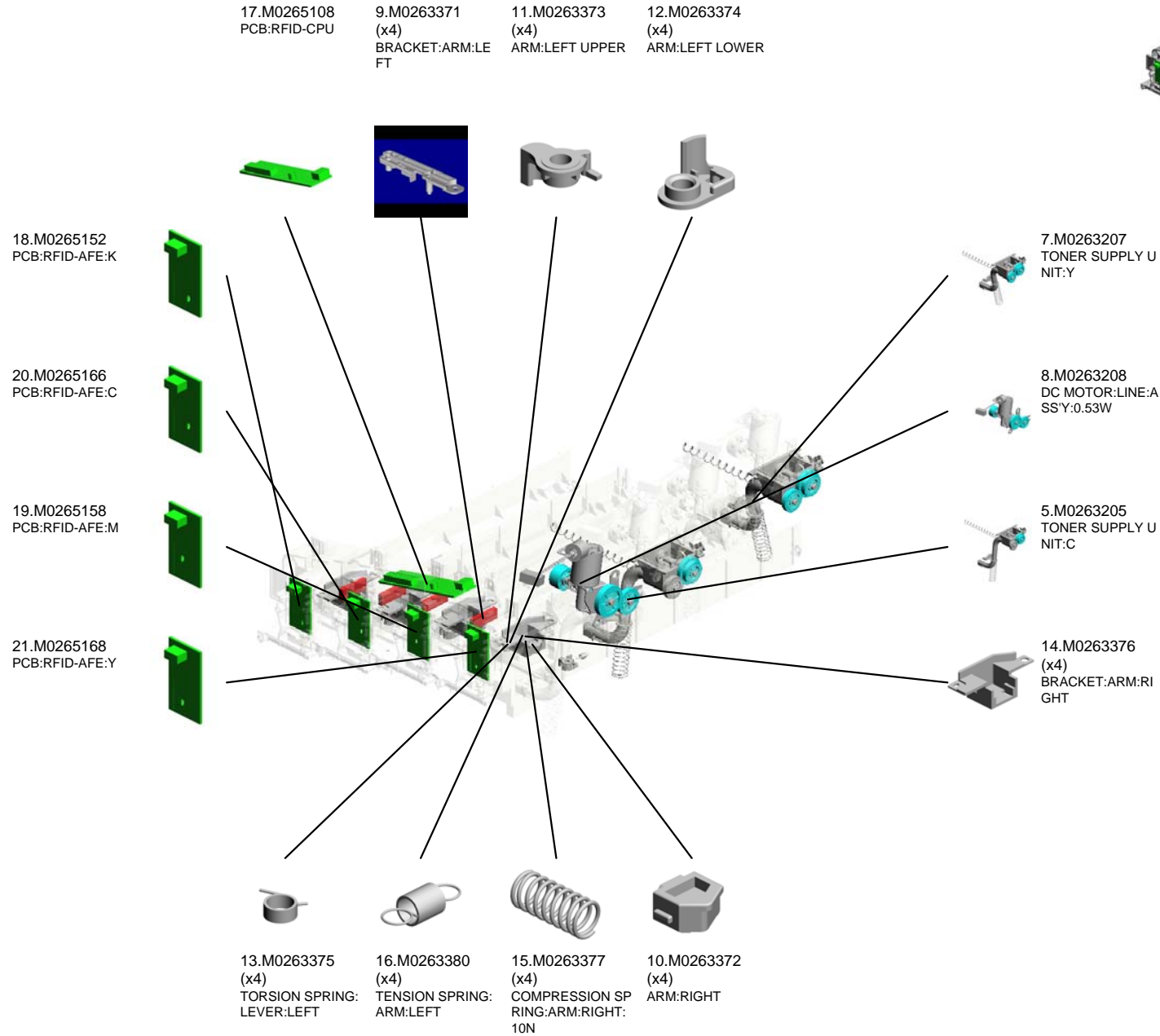
U007\_S003  
M0263206  
TONER SUPPLY UNIT:M

U007\_S001  
M0263204  
TONER SUPPLY UNIT:BK



U001	U002	U003	U004	U005	U006	<b>U007</b>	U008	U009	U010	U011	U012	U013	U014	U015	U016	U017	U018
------	------	------	------	------	------	-------------	------	------	------	------	------	------	------	------	------	------	------

# U007 TONER SUPPLY



U001	U002	U003	U004	U005	U006	U007	U008	U009	U010	U011	U012	U013	U014	U015	U016	U017	U018
------	------	------	------	------	------	------	------	------	------	------	------	------	------	------	------	------	------

U007\_S001  
TONER SUPPLY UNIT: BK

2.07200030E  
(x3)  
RETAINING RING -  
M3

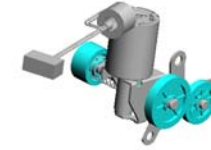


4.M0263204  
TONER SUPPLY U  
NIT: BK

U001	U002	U003	U004	U005	U006	U007	U008	U009	U010	U011	U012	U013	U014	U015	U016	U017	U018
------	------	------	------	------	------	------	------	------	------	------	------	------	------	------	------	------	------

U007\_S002  
DC MOTOR:LINE:ASS'Y:0.53W

1.03530030N  
(x2)  
SCREW:M3X3



8.M0263208  
DC MOTOR:LINE:A  
SS'Y:0.53W



2.07200030E  
(x3)  
RETAINING RING -  
M3



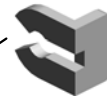
U001	U002	U003	U004	U005	U006	U007	U008	U009	U010	U011	U012	U013	U014	U015	U016	U017	U018
------	------	------	------	------	------	------	------	------	------	------	------	------	------	------	------	------	------

U007\_S003  
TONER SUPPLY UNIT:M

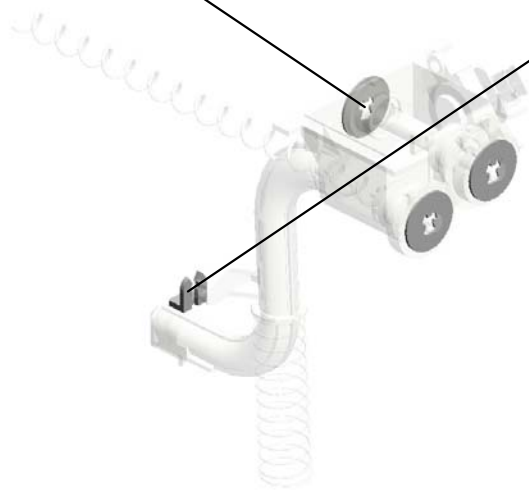
2.07200030E  
(x3)  
RETAINING RING -  
M3



6.M0263206  
TONER SUPPLY U  
NIT:M



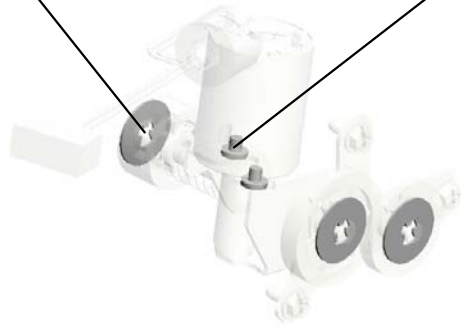
3.52062686  
SNAP RING



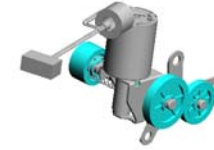
U001	U002	U003	U004	U005	U006	U007	U008	U009	U010	U011	U012	U013	U014	U015	U016	U017	U018
------	------	------	------	------	------	------	------	------	------	------	------	------	------	------	------	------	------

U007\_S004  
DC MOTOR:LINE:ASS'Y:0.53W

2.07200030E  
(x3)  
RETAINING RING -  
M3



1.03530030N  
(x2)  
SCREW:M3X3

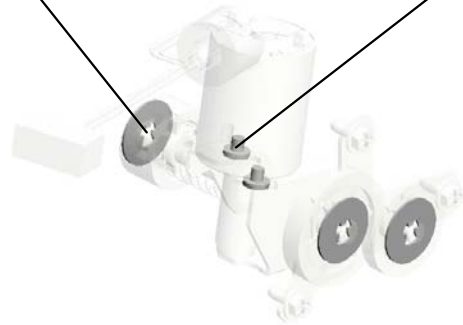


8.M0263208  
DC MOTOR:LINE:A  
SS'Y:0.53W

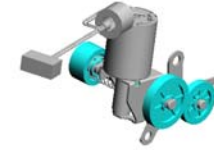
U001	U002	U003	U004	U005	U006	U007	U008	U009	U010	U011	U012	U013	U014	U015	U016	U017	U018
------	------	------	------	------	------	------	------	------	------	------	------	------	------	------	------	------	------

U007\_S005  
DC MOTOR:LINE:ASS'Y:0.53W

2.07200030E  
(x3)  
RETAINING RING -  
M3



1.03530030N  
(x2)  
SCREW:M3X3



8.M0263208  
DC MOTOR:LINE:A  
SS'Y:0.53W

U001	U002	U003	U004	U005	U006	U007	U008	U009	U010	U011	U012	U013	U014	U015	U016	U017	U018
------	------	------	------	------	------	------	------	------	------	------	------	------	------	------	------	------	------



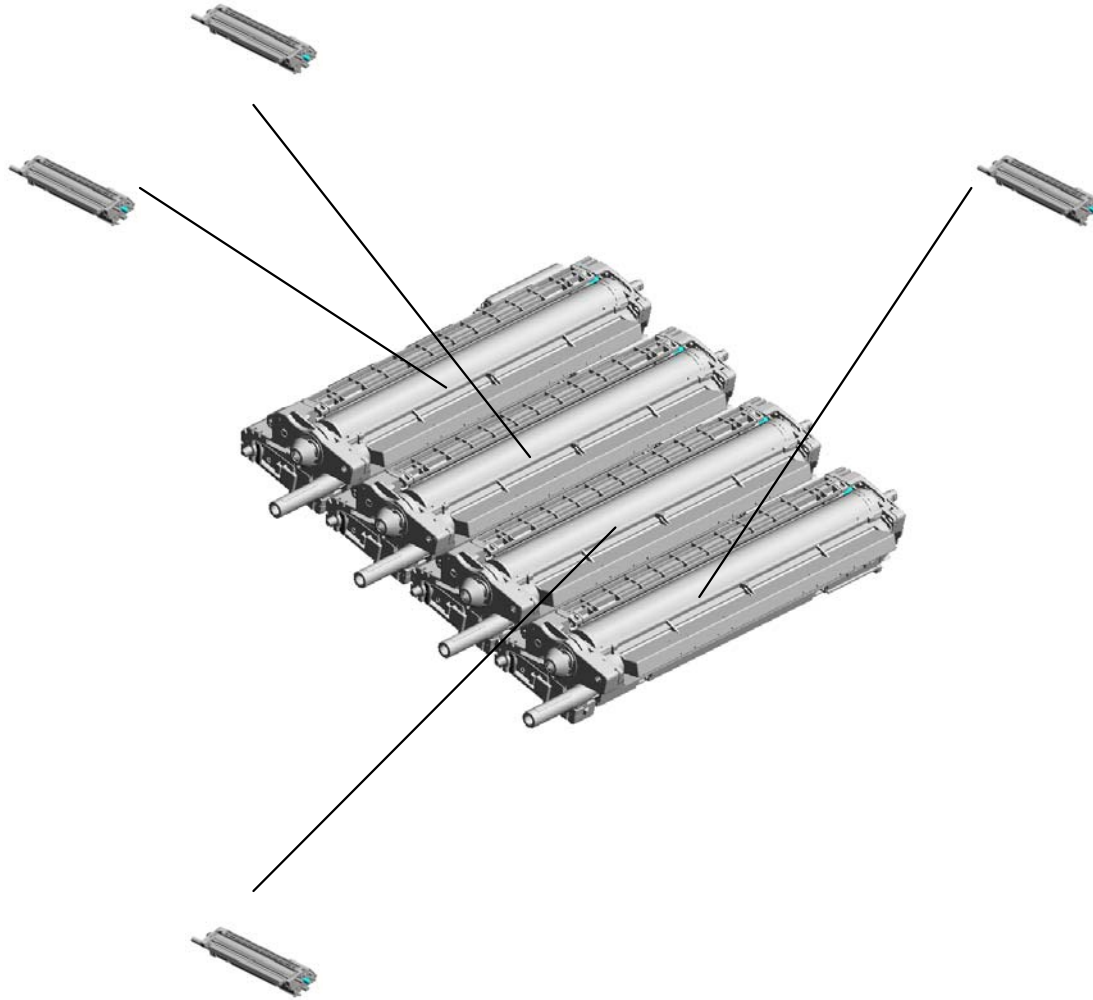
# U008.PCU

U008\_S003  
M0262012  
PCDU:M

U008\_S004  
M0262013  
PCDU:Y

U008\_S001  
M0262010  
PCDU:BK

U008\_S002  
M0262011  
PCDU:C



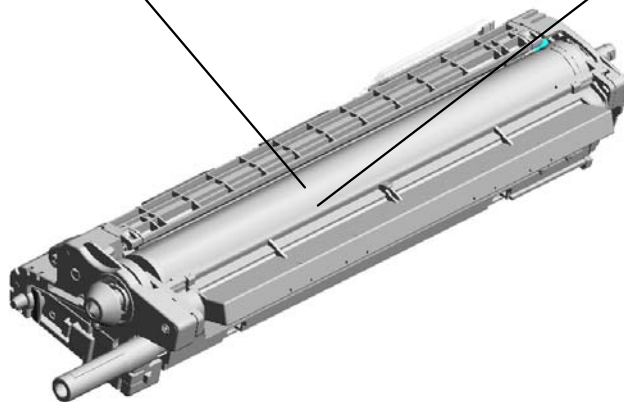
U001	U002	U003	U004	U005	U006	U007	<b>U008</b>	U009	U010	U011	U012	U013	U014	U015	U016	U017	U018
------	------	------	------	------	------	------	-------------	------	------	------	------	------	------	------	------	------	------

# U008\_S001.PCDU:BK

U008\_S001\_S002  
M0263021  
DEVELOPMENT UNIT:BK



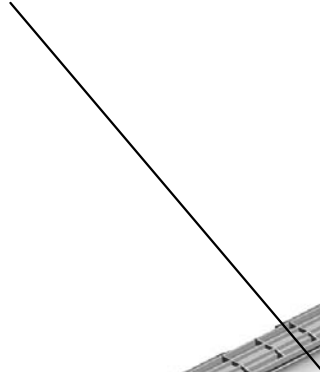
U008\_S001\_S001  
M0262014  
PCU:BK:ASS'Y



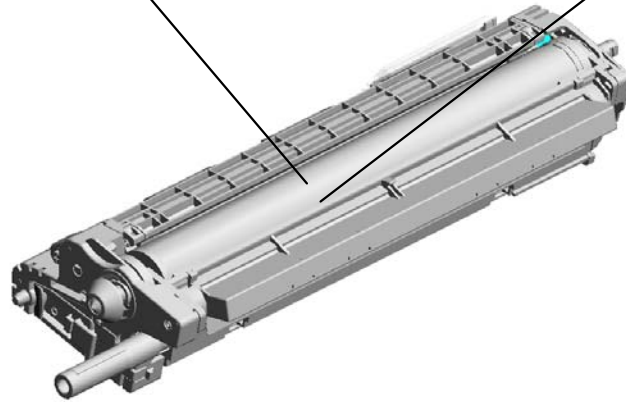
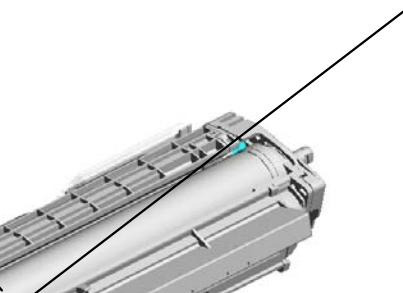
U001	U002	U003	U004	U005	U006	U007	U008	U009	U010	U011	U012	U013	U014	U015	U016	U017	U018
------	------	------	------	------	------	------	------	------	------	------	------	------	------	------	------	------	------

# U008\_S002.PCDU:C

U008\_S002\_S002  
M0263022  
DEVELOPMENT UNIT:C



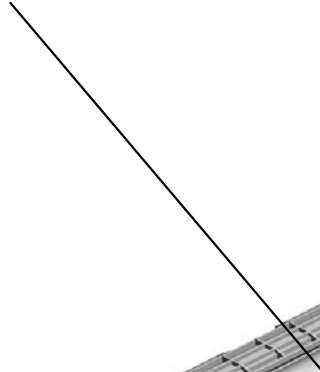
U008\_S002\_S001  
M0262015  
PCU:CMY:ASS'Y



U001	U002	U003	U004	U005	U006	U007	<b>U008</b>	U009	U010	U011	U012	U013	U014	U015	U016	U017	U018
------	------	------	------	------	------	------	-------------	------	------	------	------	------	------	------	------	------	------

# U008\_S003.PCDU:M

U008\_S003\_S002  
M0263023  
DEVELOPMENT UNIT:M

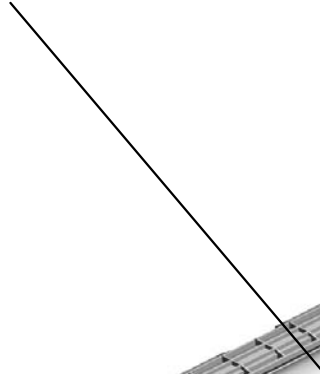


U008\_S003\_S001  
M0262015  
PCU:CMY:ASS'Y

U001	U002	U003	U004	U005	U006	U007	<b>U008</b>	U009	U010	U011	U012	U013	U014	U015	U016	U017	U018
------	------	------	------	------	------	------	-------------	------	------	------	------	------	------	------	------	------	------

# U008\_S004.PCDU:Y

U008\_S004\_S002  
M0263024  
M0263024



U008\_S004\_S001  
M0262015  
PCU:CMY:ASS'Y



U001	U002	U003	U004	U005	U006	U007	<b>U008</b>	U009	U010	U011	U012	U013	U014	U015	U016	U017	U018
------	------	------	------	------	------	------	-------------	------	------	------	------	------	------	------	------	------	------

U008  
PCU



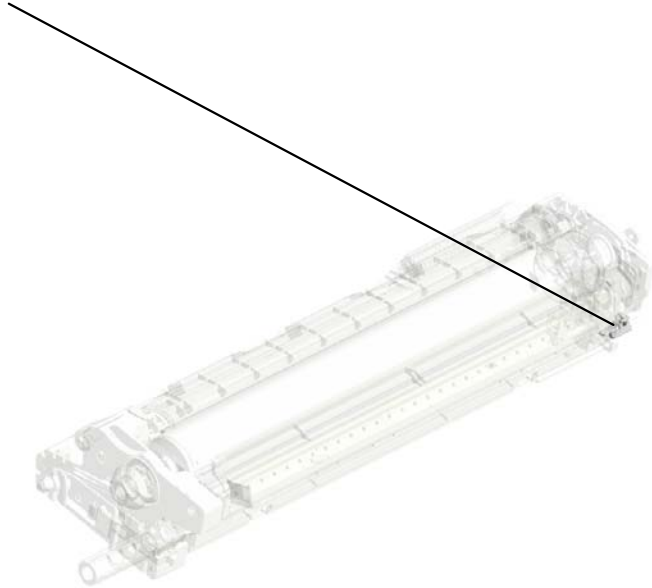
U001	U002	U003	U004	U005	U006	U007	U008	U009	U010	U011	U012	U013	U014	U015	U016	U017	U018
------	------	------	------	------	------	------	------	------	------	------	------	------	------	------	------	------	------

U008\_S001  
PCDU:BK

11.M0262255  
KEY:COLLAR



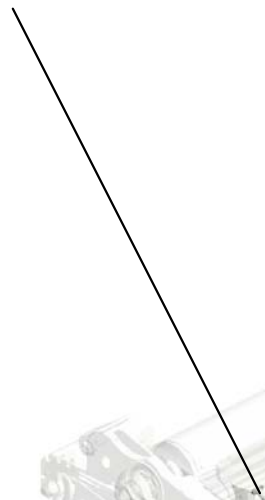
5.M0262010  
PCDU:BK



U001	U002	U003	U004	U005	U006	U007	<b>U008</b>	U009	U010	U011	U012	U013	U014	U015	U016	U017	U018
------	------	------	------	------	------	------	-------------	------	------	------	------	------	------	------	------	------	------

U008\_S001\_S001  
PCU:BK:ASS'Y

1.03530060N  
(x2)  
BIND SCREW - M3  
X6



9.M0262014  
PCU:BK:ASS'Y

U001	U002	U003	U004	U005	U006	U007	<b>U008</b>	U009	U010	U011	U012	U013	U014	U015	U016	U017	U018
------	------	------	------	------	------	------	-------------	------	------	------	------	------	------	------	------	------	------



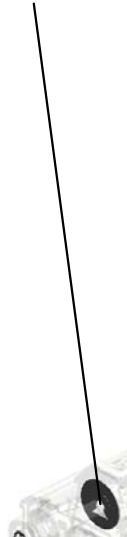
U008\_S001\_S002  
DEVELOPMENT UNIT: BK

4.08050089  
RETAINING RING -  
M4

2.03603006N  
(x2)  
SCREW - M3X6



12.M0263021  
DEVELOPMENT UN  
IT: BK



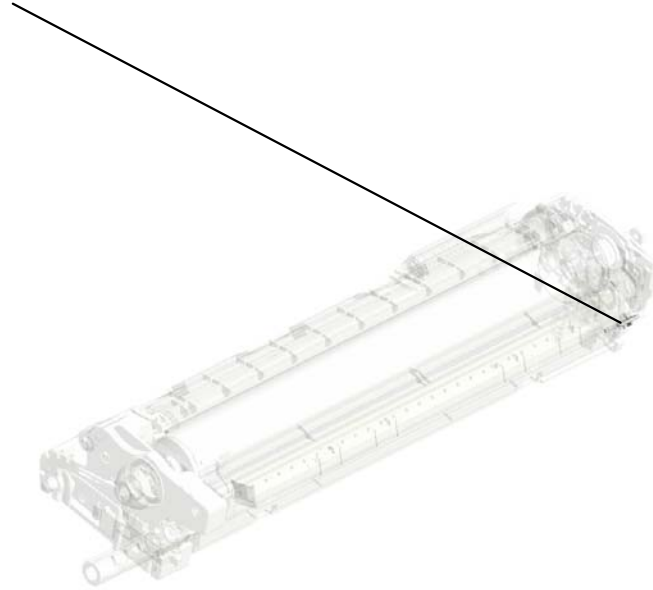
3.07200030E  
(x4)  
RETAINING RING -  
M3



U001	U002	U003	U004	U005	U006	U007	U008	U009	U010	U011	U012	U013	U014	U015	U016	U017	U018
------	------	------	------	------	------	------	------	------	------	------	------	------	------	------	------	------	------

U008\_S002  
PCDU:C

11.M0262255  
KEY:COLLAR

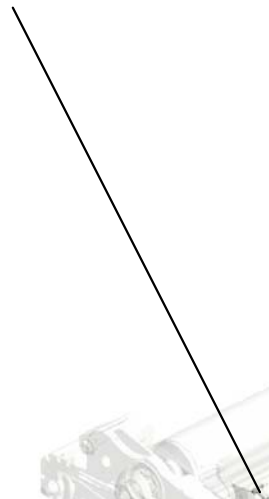


6.M0262011  
PCDU:C

U001	U002	U003	U004	U005	U006	U007	<b>U008</b>	U009	U010	U011	U012	U013	U014	U015	U016	U017	U018
------	------	------	------	------	------	------	-------------	------	------	------	------	------	------	------	------	------	------

U008\_S002\_S001  
PCU:CMY:ASS'Y

1.03530060N  
(x2)  
BIND SCREW - M3  
X6



10.M0262015  
PCU:CMY:ASS'Y

U001	U002	U003	U004	U005	U006	U007	<b>U008</b>	U009	U010	U011	U012	U013	U014	U015	U016	U017	U018
------	------	------	------	------	------	------	-------------	------	------	------	------	------	------	------	------	------	------

U008\_S002\_S002  
DEVELOPMENT UNIT:C

4.08050089  
RETAINING RING -  
M4

2.03603006N  
(x2)  
SCREW - M3X6



13.M0263022  
DEVELOPMENT U  
NIT:C



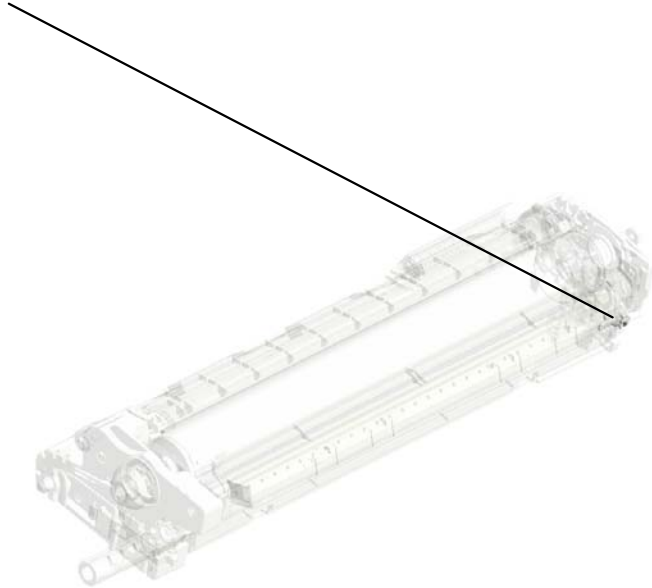
U001	U002	U003	U004	U005	U006	U007	<b>U008</b>	U009	U010	U011	U012	U013	U014	U015	U016	U017	U018
------	------	------	------	------	------	------	-------------	------	------	------	------	------	------	------	------	------	------

U008\_S003  
PCDU:M

11.M0262255  
KEY:COLLAR



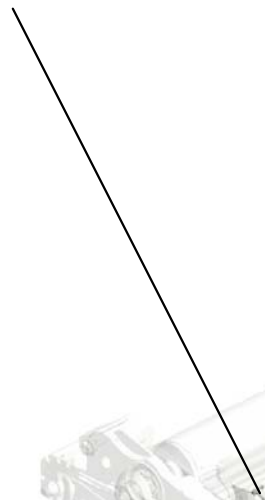
7.M0262012  
PCDU:M



U001	U002	U003	U004	U005	U006	U007	<b>U008</b>	U009	U010	U011	U012	U013	U014	U015	U016	U017	U018
------	------	------	------	------	------	------	-------------	------	------	------	------	------	------	------	------	------	------

U008\_S003\_S001  
PCU:CMY:ASS'Y

1.03530060N  
(x2)  
BIND SCREW - M3  
X6



10.M0262015  
PCU:CMY:ASS'Y

U001	U002	U003	U004	U005	U006	U007	<b>U008</b>	U009	U010	U011	U012	U013	U014	U015	U016	U017	U018
------	------	------	------	------	------	------	-------------	------	------	------	------	------	------	------	------	------	------

U008\_S003\_S002  
DEVELOPMENT UNIT:M

4.08050089  
RETAINING RING -  
M4

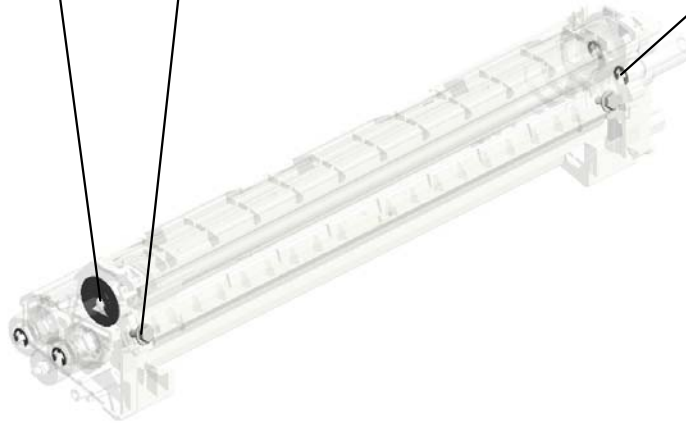
2.03603006N  
(x2)  
SCREW - M3X6



14.M0263023  
DEVELOPMENT U  
NIT:M



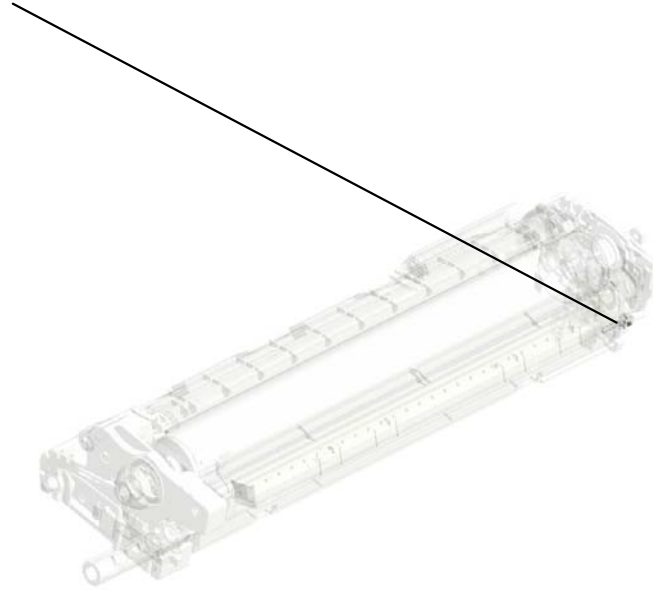
3.07200030E  
(x4)  
RETAINING RING -  
M3



U001	U002	U003	U004	U005	U006	U007	<b>U008</b>	U009	U010	U011	U012	U013	U014	U015	U016	U017	U018
------	------	------	------	------	------	------	-------------	------	------	------	------	------	------	------	------	------	------

U008\_S004  
PCDU:Y

11.M0262255  
KEY:COLLAR



8.M0262013  
PCDU:Y

U001	U002	U003	U004	U005	U006	U007	<b>U008</b>	U009	U010	U011	U012	U013	U014	U015	U016	U017	U018
------	------	------	------	------	------	------	-------------	------	------	------	------	------	------	------	------	------	------



U008\_S004\_S001  
PCU:CMY:ASS'Y

1.03530060N  
(x2)  
BIND SCREW - M3  
X6



10.M0262015  
PCU:CMY:ASS'Y



U001	U002	U003	U004	U005	U006	U007	<b>U008</b>	U009	U010	U011	U012	U013	U014	U015	U016	U017	U018
------	------	------	------	------	------	------	-------------	------	------	------	------	------	------	------	------	------	------

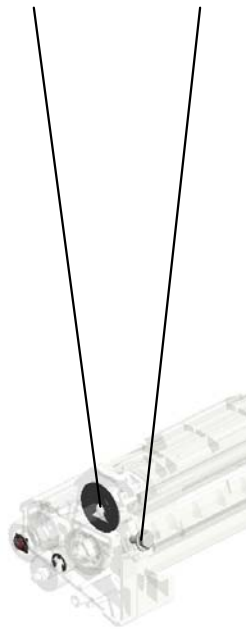
U008\_S004\_S002  
M0263024

4.08050089  
RETAINING RING -  
M4

2.03603006N  
(x2)  
SCREW - M3X6



15.M0263024  
M0263024

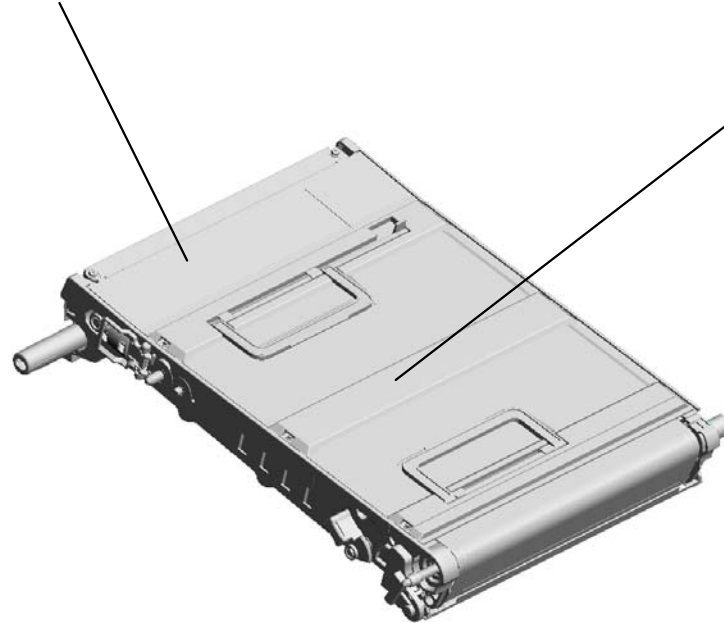


3.07200030E  
(x4)  
RETAINING RING -  
M3

U001	U002	U003	U004	U005	U006	U007	<b>U008</b>	U009	U010	U011	U012	U013	U014	U015	U016	U017	U018
------	------	------	------	------	------	------	-------------	------	------	------	------	------	------	------	------	------	------

# U009.ITB CLEANING

U009\_S001  
M0263800  
CLEANING UNIT:ITB



U009\_S002  
M0266000  
TRANSFER UNIT



U001	U002	U003	U004	U005	U006	U007	U008	U009	U010	U011	U012	U013	U014	U015	U016	U017	U018
------	------	------	------	------	------	------	------	------	------	------	------	------	------	------	------	------	------

U009  
ITB CLEANING



U001	U002	U003	U004	U005	U006	U007	U008	U009	U010	U011	U012	U013	U014	U015	U016	U017	U018
------	------	------	------	------	------	------	------	------	------	------	------	------	------	------	------	------	------

U009\_S001  
CLEANING UNIT:ITB

1.AA082101  
BUSHING - 6X10X6

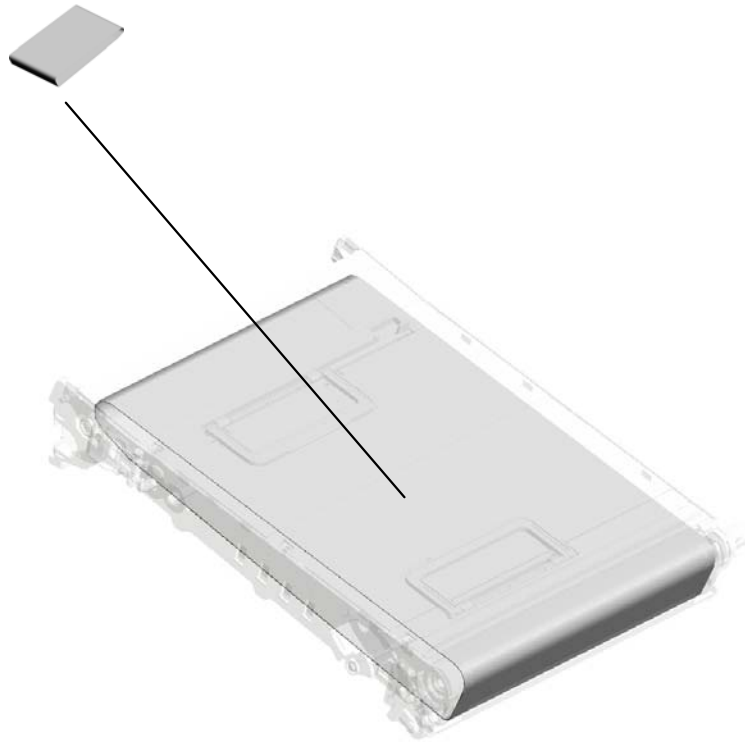


2.M0263800  
CLEANING UNIT:IT  
B

U001	U002	U003	U004	U005	U006	U007	U008	U009	U010	U011	U012	U013	U014	U015	U016	U017	U018
------	------	------	------	------	------	------	------	------	------	------	------	------	------	------	------	------	------

U009\_S002  
TRANSFER UNIT

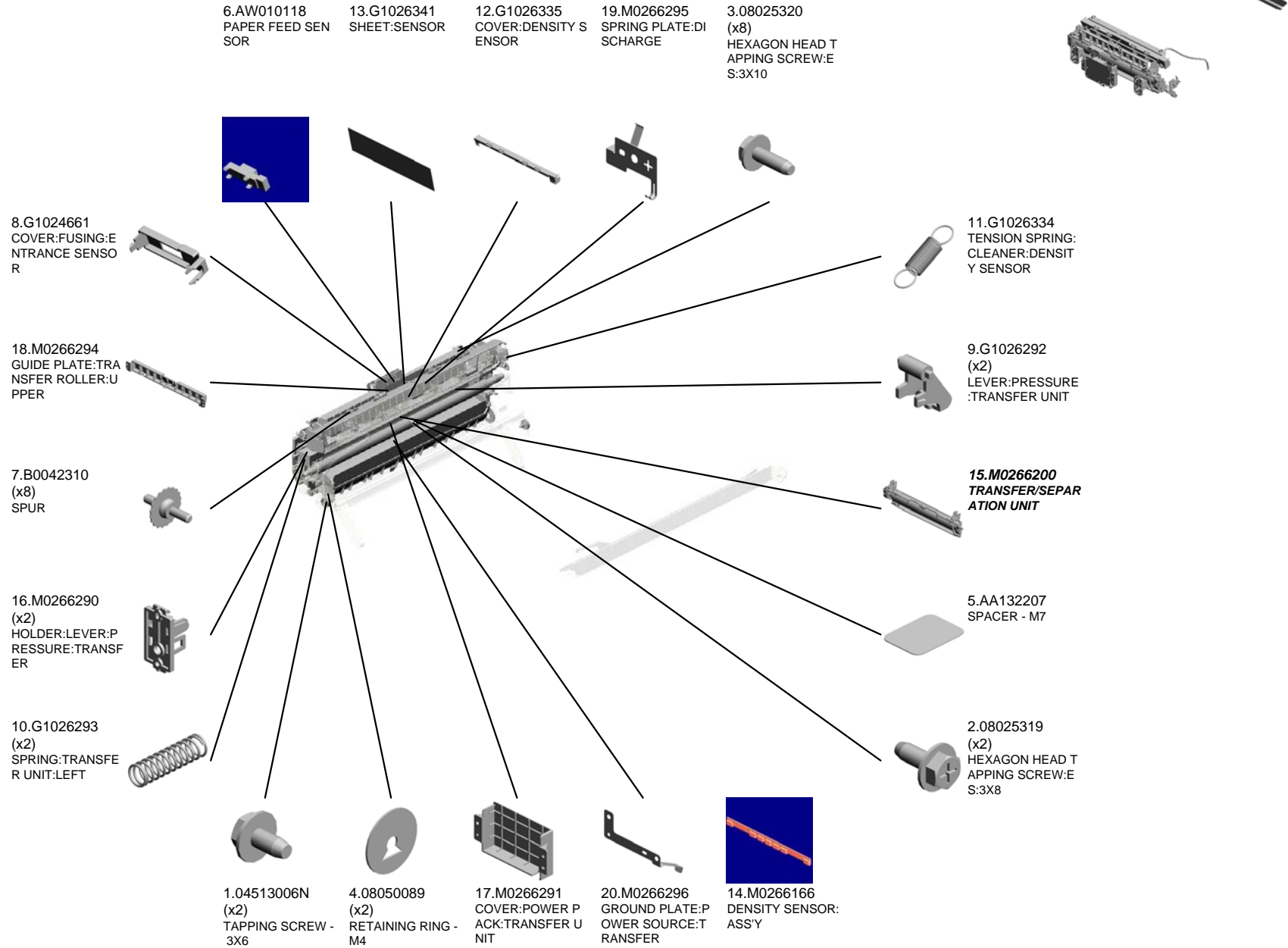
4.M0266124  
FLAT BELT-TRANS  
FER:ASS'Y



3.M0266000  
TRANSFER UNIT

U001	U002	U003	U004	U005	U006	U007	U008	U009	U010	U011	U012	U013	U014	U015	U016	U017	U018
------	------	------	------	------	------	------	------	------	------	------	------	------	------	------	------	------	------

# U010 IMAGE TRANSFER



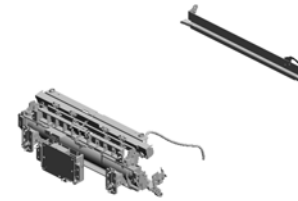
U001	U002	U003	U004	U005	U006	U007	U008	U009	U010	U011	U012	U013	U014	U015	U016	U017	U018
------	------	------	------	------	------	------	------	------	------	------	------	------	------	------	------	------	------

# U010 IMAGE TRANSFER

30.M0266365  
DECAL:WARNING (HIGH VOLTAGE)

24.M0266332  
INSULATING SHEET:DENSITY SENSOR

23.M0266329  
SHUTTER:DENSITY SENSOR



28.M0266355  
GUIDE:POSITIONING:REAR



29.M0266356  
GROUND PLATE:TRANSFER:SECOND



27.M0266354  
GUIDE:POSITIONING:FRONT



21.M0266301 (x2)  
LEVER:ON-OFF:TRANSFER UNIT



26.M0266351  
RAIL:CLEANING UNIT



25.M0266333  
HOLDER:DENSITY SENSOR



22.M0266302  
RAIL:MAIN:ASSY

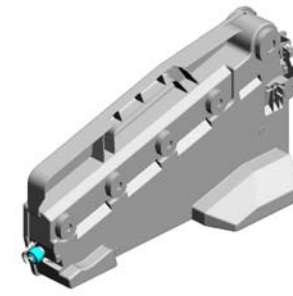


U001	U002	U003	U004	U005	U006	U007	U008	U009	U010	U011	U012	U013	U014	U015	U016	U017	U018
------	------	------	------	------	------	------	------	------	------	------	------	------	------	------	------	------	------



# U011 USED TONER

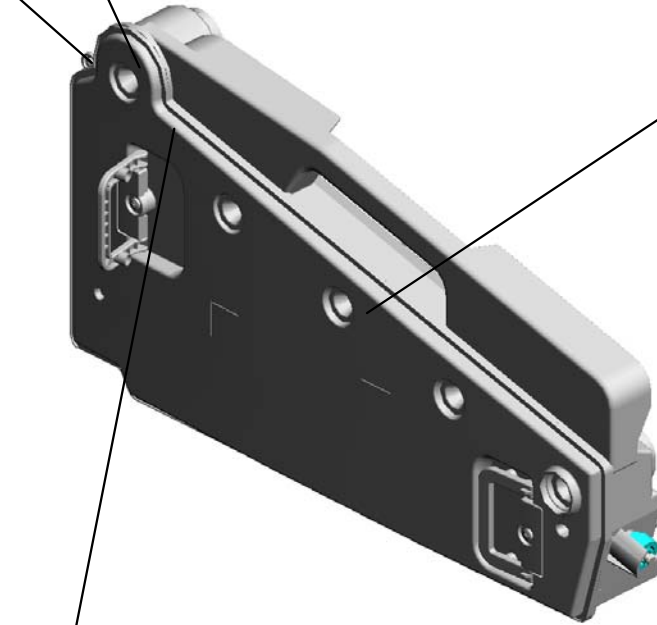
3.AW500023  
PUSH SWITCH



1.04513006N  
(x2)  
TAPPING SCREW -  
3X6



4.M0226400  
WASTE TONER BO  
TTLE

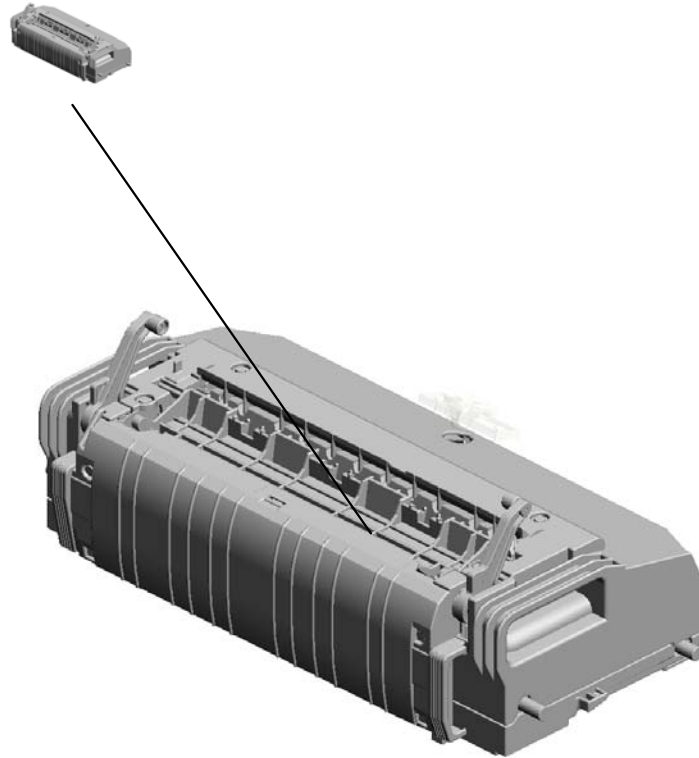


2.AW020145  
PHOTOINTERUP  
TOR:FLAT

U001	U002	U003	U004	U005	U006	U007	U008	U009	U010	U011	U012	U013	U014	U015	U016	U017	U018
------	------	------	------	------	------	------	------	------	------	------	------	------	------	------	------	------	------

# U012.FUSING

U012\_S001  
M0264011  
FUSING UNIT:NA:SERVICE



U001	U002	U003	U004	U005	U006	U007	U008	U009	U010	U011	U012	U013	U014	U015	U016	U017	U018
------	------	------	------	------	------	------	------	------	------	------	------	------	------	------	------	------	------

# U012\_S001.FUSING UNIT:NA:SERVICE

U012\_S001\_S001  
M0264295  
FUSING COVER:RIGHT:ASS'  
Y

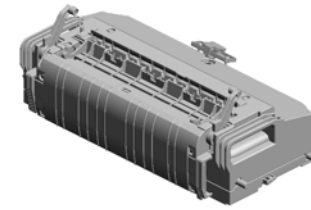


U001	U002	U003	U004	U005	U006	U007	U008	U009	U010	U011	U012	U013	U014	U015	U016	U017	U018
------	------	------	------	------	------	------	------	------	------	------	------	------	------	------	------	------	------

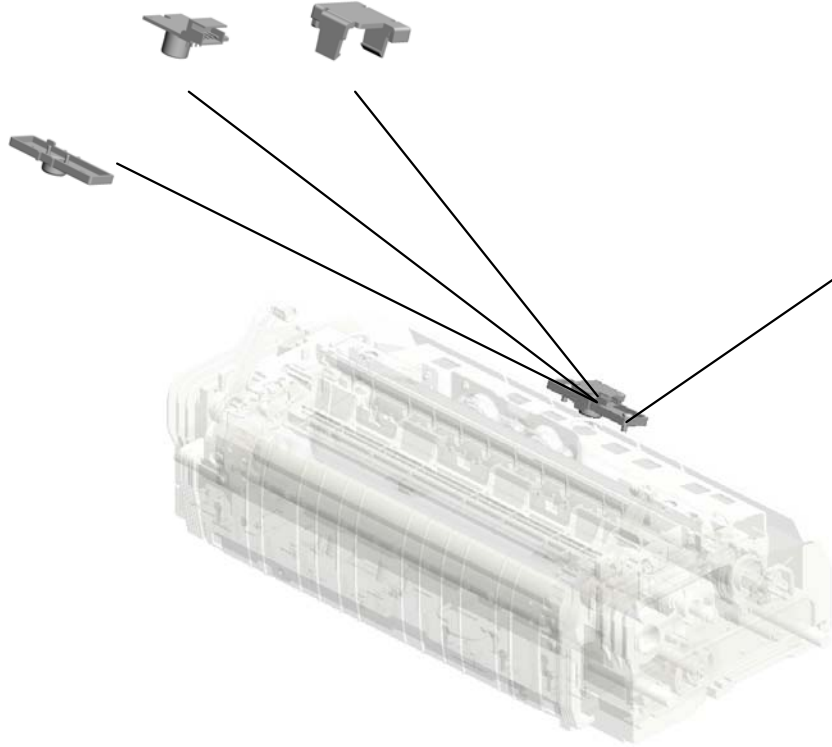
# U012 FUSING

37.AW100106  
THERMOPILE

45.B2384366  
LENS COVER



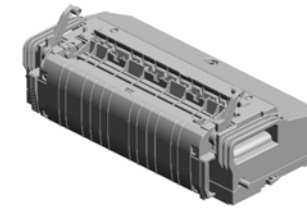
44.B2384365  
LENS HOLDER



8.08046127  
(x2)  
HEXAGONAL BOLT  
:DOUBLE SCREW:  
M3X8

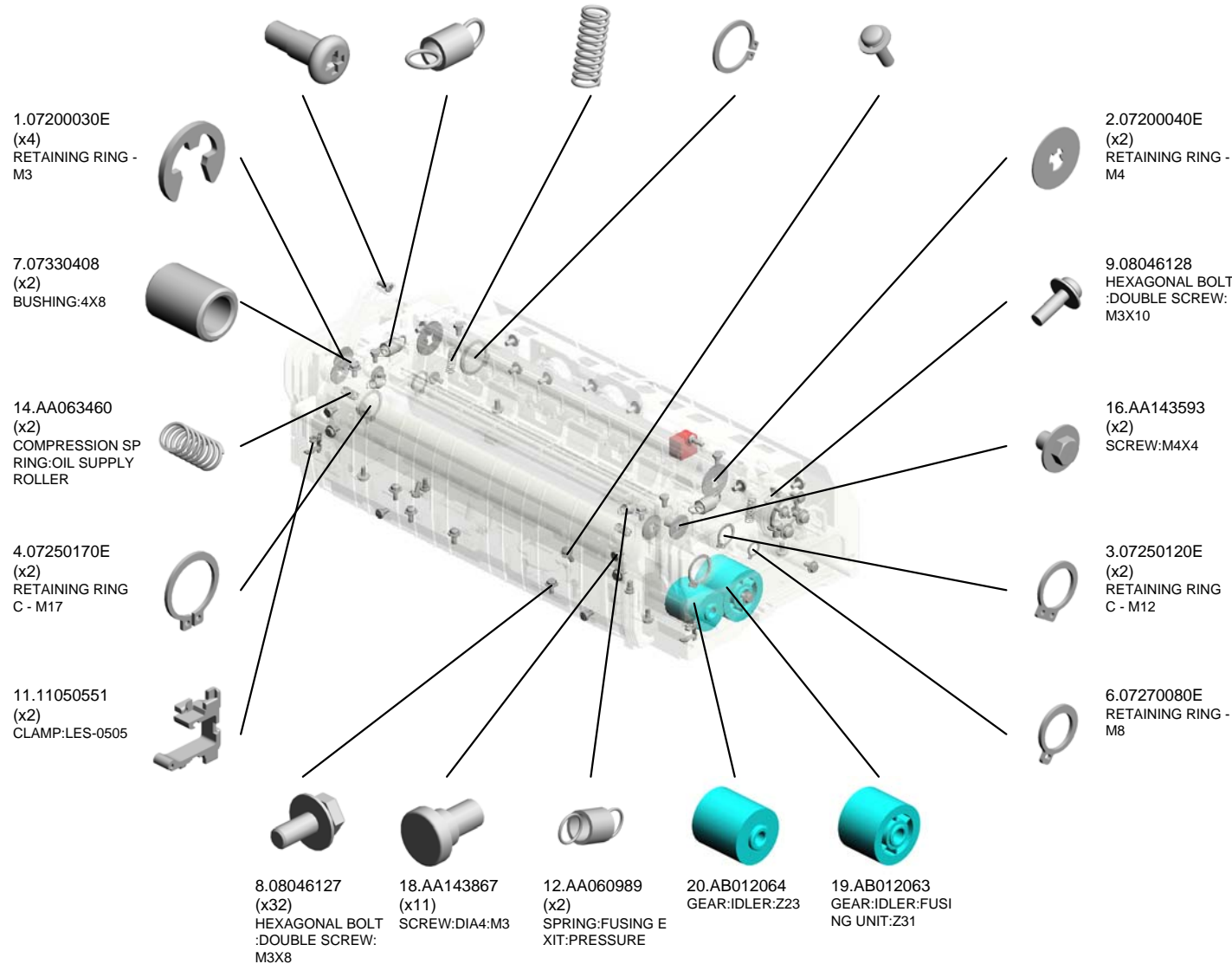
U001	U002	U003	U004	U005	U006	U007	U008	U009	U010	U011	U012	U013	U014	U015	U016	U017	U018
------	------	------	------	------	------	------	------	------	------	------	------	------	------	------	------	------	------

# U012\_S001 FUSING UNIT:NA:SERVICE



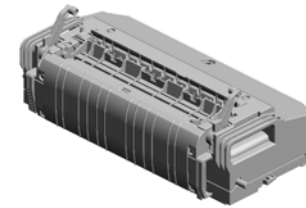
47.M0264011  
FUSING UNIT:NA:SERVICE

- 17.AA143792 (x2) SCREW:DRAWER
- 13.AA061035 (x2) COIL SPRING:PRE SSURE:55N
- 15.AA063461 (x2) COMPRESSION SPRING:BELT TENSIONER
- 5.07250200E (x2) RETAINING RING C - M20
- 10.09543010N SCREW:POLISHED ROUND/SPRING:M 3X10



U001	U002	U003	U004	U005	U006	U007	U008	U009	U010	U011	U012	U013	U014	U015	U016	U017	U018
------	------	------	------	------	------	------	------	------	------	------	------	------	------	------	------	------	------

U012\_S001  
FUSING UNIT:NA:SERVICE



47.M0264011  
FUSING UNIT:NA:SERVICE

27.AE030069  
(x2)  
BALL BEARING:DIA  
12XDIA21X7

29.AE031045  
(x2)  
BUSHING - BELT T  
ENSION ROLLER

25.AE020179  
PRESSURE ROLLE  
R

39.AW110090  
THERMOSTAT:WE  
LDING

34.AE040075  
ROLLER:BELT TEN  
SIONER

28.AE030074  
(x2)  
BALL BEARING:DIA  
17XDIA26X5

30.AE031061  
FRONT BUSHING -  
OIL SUPPLY ROLL  
ER

33.AE040074  
OIL SUPPLY ROLL  
ER:DIA18

35.AE042087  
CLEANING ROLLE  
R:OIL SUPPLY RO  
LLER

40.AW110093  
THERMOSTAT:WE  
LDING

38.AW100129  
THERMISTOR:PRE  
SSURE

23.AE010076  
HOT ROLLER

31.AE031062  
REAR BUSHING -  
OIL SUPPLY ROLL  
ER

24.AE012037  
HEAT ROLLER

21.AB012065  
GEAR:PRESSURE  
ROLLER:Z27

41.AX440311  
HEATER:120V:550  
W/450W

36.AW100105  
THERMISTOR:FUSI  
NG

26.AE030066  
(x2)  
BALL BEARING:MM  
25XMM32X7

32.AE032030  
(x2)  
BUSHING - 20X25

22.AB012066  
GEAR:HOT ROLLE  
R:MECHANICAL R  
OLLER CLUTCH:Z2  
5

U001	U002	U003	U004	U005	U006	U007	U008	U009	U010	U011	U012	U013	U014	U015	U016	U017	U018
------	------	------	------	------	------	------	------	------	------	------	------	------	------	------	------	------	------

U012\_S001  
FUSING UNIT:NA:SERVICE

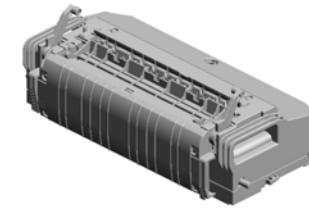
46.G1024203  
(x2)  
ROLLER:LEVER:PRESSURE

48.M0264041  
(x2)  
TORSION SPRING:STRIPPER PLATE

57.M0264245  
BRACKET:HEATER:FUSING:FRONT

64.M0264291  
GUIDE PLATE:FUSING:EXIT:ASSY

50.M0264163  
HOUSING:THERMOSTAT



47.M0264011  
FUSING UNIT:NA:SERVICE

54.M0264206  
LEVER:PRESSURE RELEASE:FRONT

43.B2384197  
(x2)  
LEVER:LOCK:PRESSURE

60.M0264253  
BRACKET:HEATER:PRESSURE:FRONT

53.M0264198  
LEVER:PRESSURE:FRONT

51.M0264167  
HOUSING:THERMOSTAT:PRESSURE

42.AX440312  
HEATER:120V:300W

52.M0264172  
(x2)  
ELECTRODE PLATE:THERMOSTAT

62.M0264283  
FUSING ENTRANCE GUIDE PLATE

63.M0264287  
FUSING COVER:LOWER

55.M0264218  
LEVER:PRESSURE:REAR

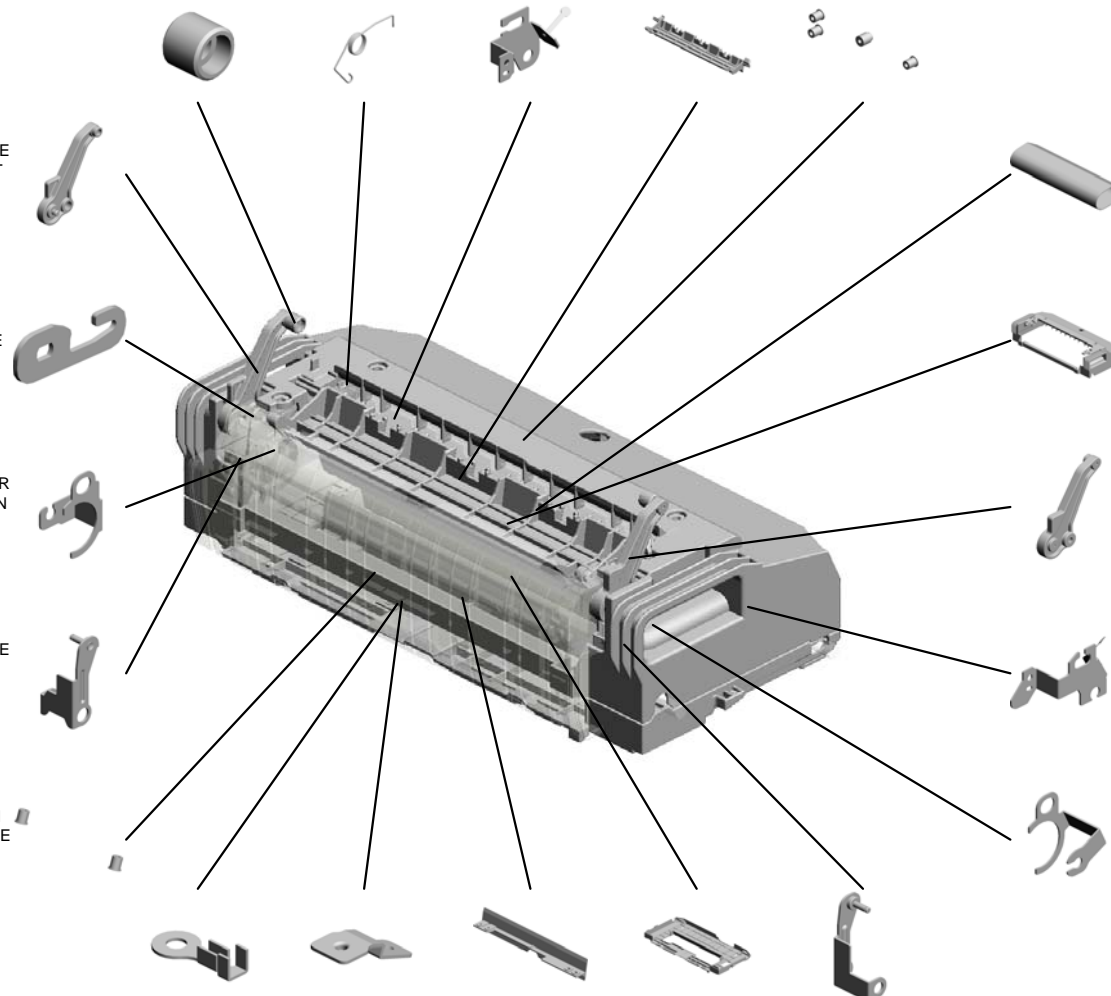
49.M0264106  
FUSING BELT

61.M0264280  
FUSING COVER:UPPER

56.M0264226  
LEVER:PRESSURE RELEASE:REAR

58.M0264247  
BRACKET:HEATER:FUSING:REAR

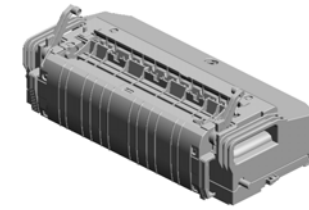
59.M0264252  
BRACKET:HEATER:PRESSURE:REAR



U001	U002	U003	U004	U005	U006	U007	U008	U009	U010	U011	U012	U013	U014	U015	U016	U017	U018
------	------	------	------	------	------	------	------	------	------	------	------	------	------	------	------	------	------

U012\_S001  
FUSING UNIT:NA:SERVICE

72.M0264338 ELECTRODE PLAT  
E:TERMINAL:PRESSURE  
74.M0264352 ELECTRODE PLAT  
E:THERMOSTAT  
69.M0264312 STRIPPER PLATE:  
COAT



47.M0264011  
FUSING UNIT:NA:SERVICE

77.M0264359  
TERMINAL:PRESSURE



75.M0264354  
BRACKET:TERMINAL:PRESSURE



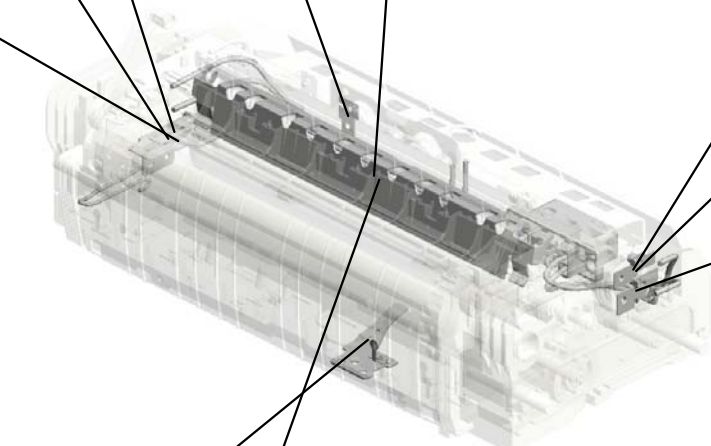
70.M0264336  
ELECTRODE PLAT  
E:REAR:M3



76.M0264357  
TERMINAL:REAR



71.M0264337  
ELECTRODE PLAT  
E:REAR:M4



68.M0264308 BRACKET:THERMOSTOR:PRESSURE:ASSY  
73.M0264349 HARNESS:FUSING UNIT:NA

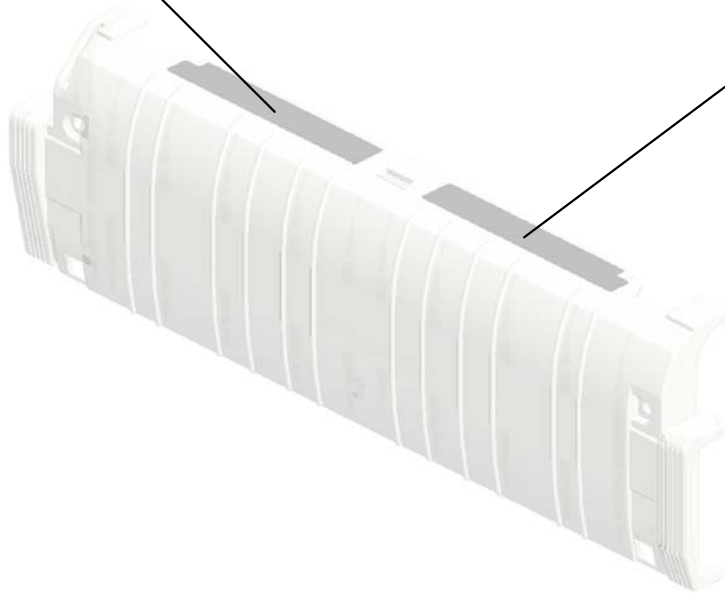


U001	U002	U003	U004	U005	U006	U007	U008	U009	U010	U011	U012	U013	U014	U015	U016	U017	U018
------	------	------	------	------	------	------	------	------	------	------	------	------	------	------	------	------	------



U012\_S001\_S001  
FUSING COVER:RIGHT:ASS'Y

66.M0264296  
DECAL:H-TEMP W  
ARNING:FUSING:1



67.M0264299  
DECAL:H-TEMP W  
ARNING:FUSING:2

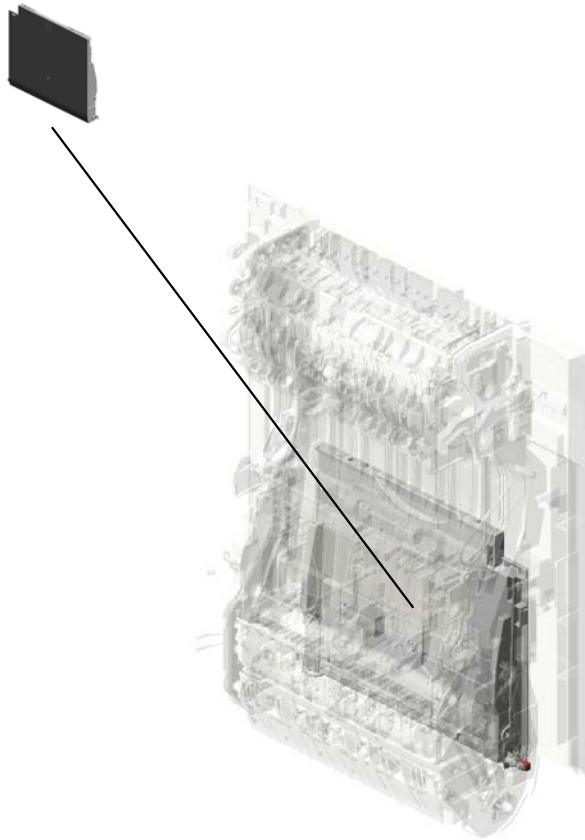


65.M0264295  
FUSING COVER:RI  
GHT:ASS'Y

U001	U002	U003	U004	U005	U006	U007	U008	U009	U010	U011	U012	U013	U014	U015	U016	U017	U018
------	------	------	------	------	------	------	------	------	------	------	------	------	------	------	------	------	------

# U013.DUPLEX

U013\_S001  
M0262640  
MANUAL FEED TABLE:ASS'Y



U001	U002	U003	U004	U005	U006	U007	U008	U009	U010	U011	U012	U013	U014	U015	U016	U017	U018
------	------	------	------	------	------	------	------	------	------	------	------	------	------	------	------	------	------

# U013 DUPLEX



- 6.08050089 (x19) RETAINING RING - M4
- 1.03530030N (x2) SCREW:M3X3
- 3.04513006N (x15) TAPPING SCREW - 3X6
- 10.11050723 (x5) CLAMPS:WES-050 7
- 7.08050092 (x5) RETAINING RING - 3M

15.AA082101 (x9) BUSHING - 6X10X6

9.11050511 (x4) HARNESS CLAMP - LWS-0306ZC

2.04504008N TAPPING SCREW - M4X8

17.AA083014 ONE-WAY CLUTCH

19.AB011416 GEAR - 20Z

13.A2596754 BUSHING - 6 6MM

16.AA082102 (x2) BUSHING - 6X10X6

18.AB011252 GEAR - 20Z

12.54472681 (x2) SNAP RING

5.08046127 (x3) HEXAGONAL BOLT ;DOUBLE SCREW: M3X8

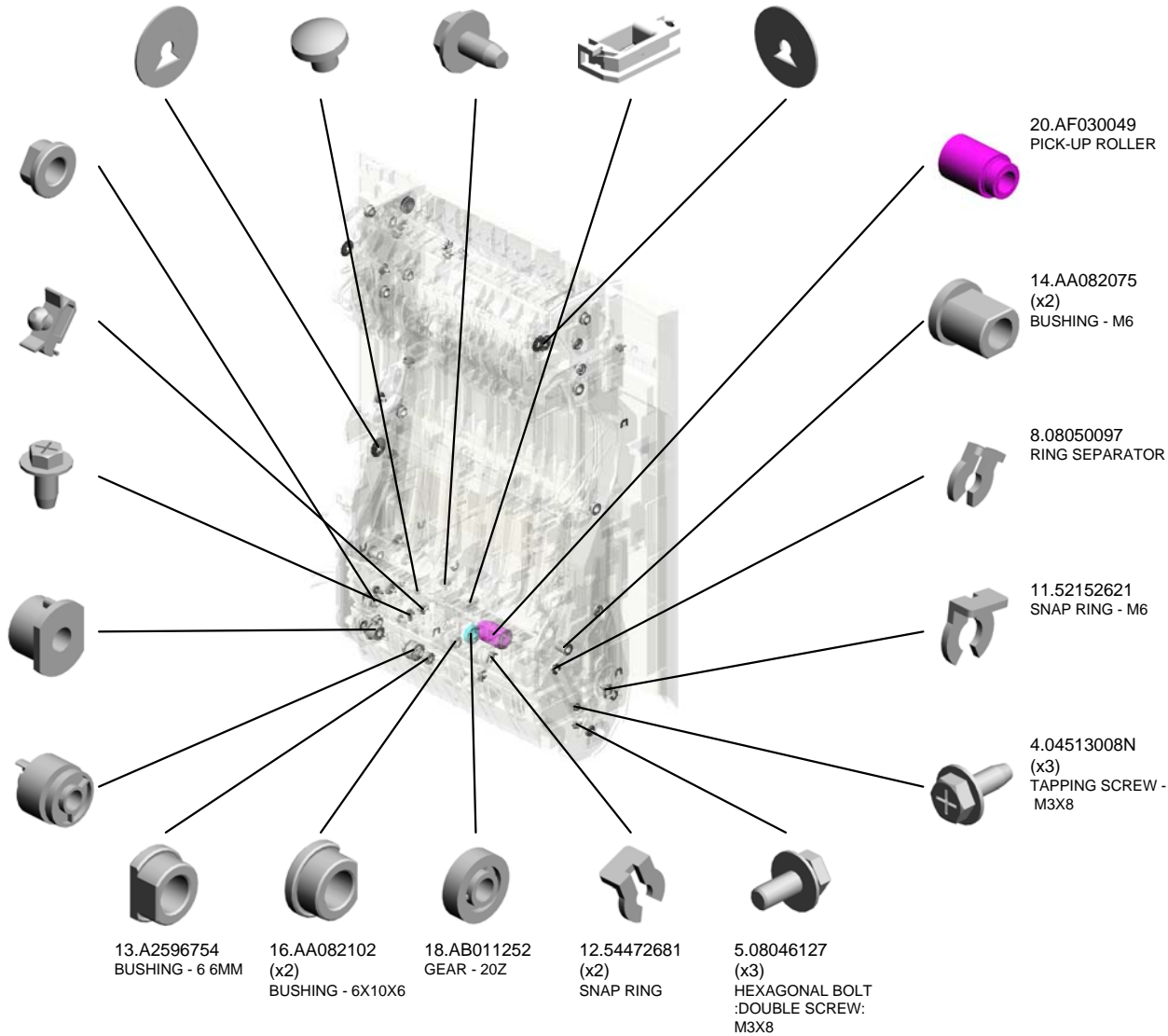
20.AF030049 PICK-UP ROLLER

14.AA082075 (x2) BUSHING - M6

8.08050097 RING SEPARATOR

11.52152621 SNAP RING - M6

4.04513008N (x3) TAPPING SCREW - M3X8



# U013 DUPLEX

26.AW500023  
PUSH SWITCH

25.AW020145  
PHOTOINTERRUP  
TOR:FLAT

35.B2234464  
TIMING PULLEY:23  
T

23.AG070516  
(x2)  
MAGNET CATCH:1  
8N:ASS'Y

24.AW010107  
(x3)  
PAPER FEED SEN  
SOR



36.B2234494  
(x4)  
STOPPER- UPPER  
GATE PAWL

38.D0094485  
(x4)  
BUSHING - GATE

31.B2232676  
(x2)  
SPRING - 11N

41.G0602652  
(x2)  
BUSHING - M4

32.B2232689  
GEAR:Z28

30.B2232608  
GEAR:Z16

34.B2234433  
(x5)  
ROLLER - DIA16

42.G0802900  
TORQUE LIMITER

33.B2234428  
(x3)  
ROLLER:GUIDE:PF  
A

22.AF032046  
SEPARATION ROL  
LER - MANUAL FE  
ED

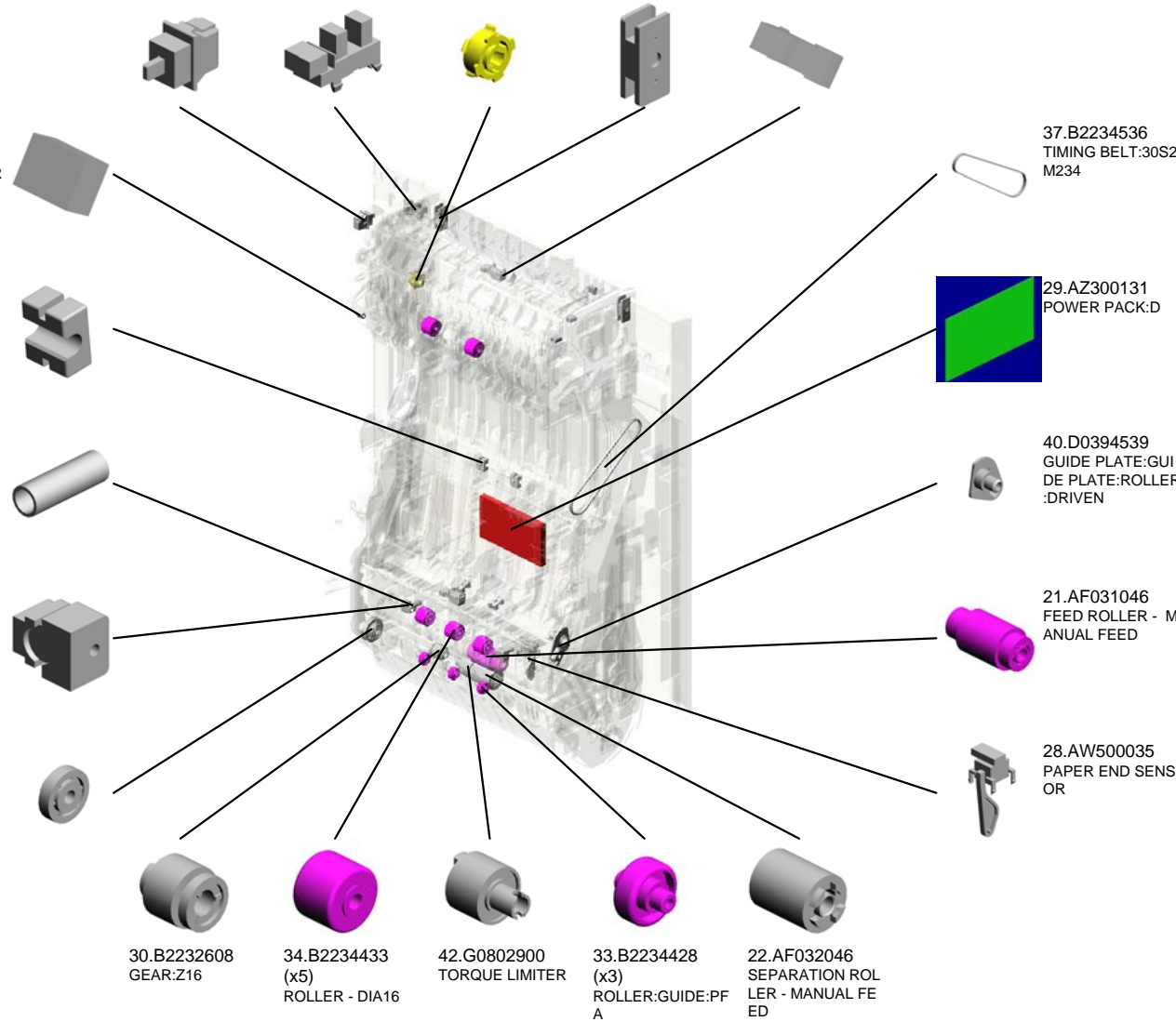
37.B2234536  
TIMING BELT:30S2  
M234

29.AZ300131  
POWER PACK:D

40.D0394539  
GUIDE PLATE:GUI  
DE PLATE:ROLLER  
:DRIVEN

21.AF031046  
FEED ROLLER - M  
ANUAL FEED

28.AW500035  
PAPER END SENS  
OR



U001	U002	U003	U004	U005	U006	U007	U008	U009	U010	U011	U012	<b>U013</b>	U014	U015	U016	U017	U018
------	------	------	------	------	------	------	------	------	------	------	------	-------------	------	------	------	------	------

# U013 DUPLEX



- 51.M0262616 BRACKET:DC SOL ENOID
- 52.M0262619 DC SOLENOID:PIKUP
- 53.M0262621 COIL SPRING:PRE SSURE:PICKUP
- 62.M0262634 SHAFT:LINK
- 43.H0532208 BUSHING - M4

44.M0262602  
GEAR:FEED:Z35

58.M0262629  
GROUND PLATE:FEED

55.M0262624  
GROUND PLATE:MANUAL FEED

45.M0262603  
SHAFT:FEED

50.M0262614  
SHAFT:SEPARATOR:DRIVE

48.M0262610  
SHAFT:SEPARATOR:DRIVEN:ASSY

59.M0262631  
PAPER STOPPER:MANUAL FEED

61.M0262633  
SHAFT:PAPER STOPPER

60.M0262632  
LINK:PAPER STOPPER:MANUAL FEED

47.M0262606  
GUIDE:SEPARATED

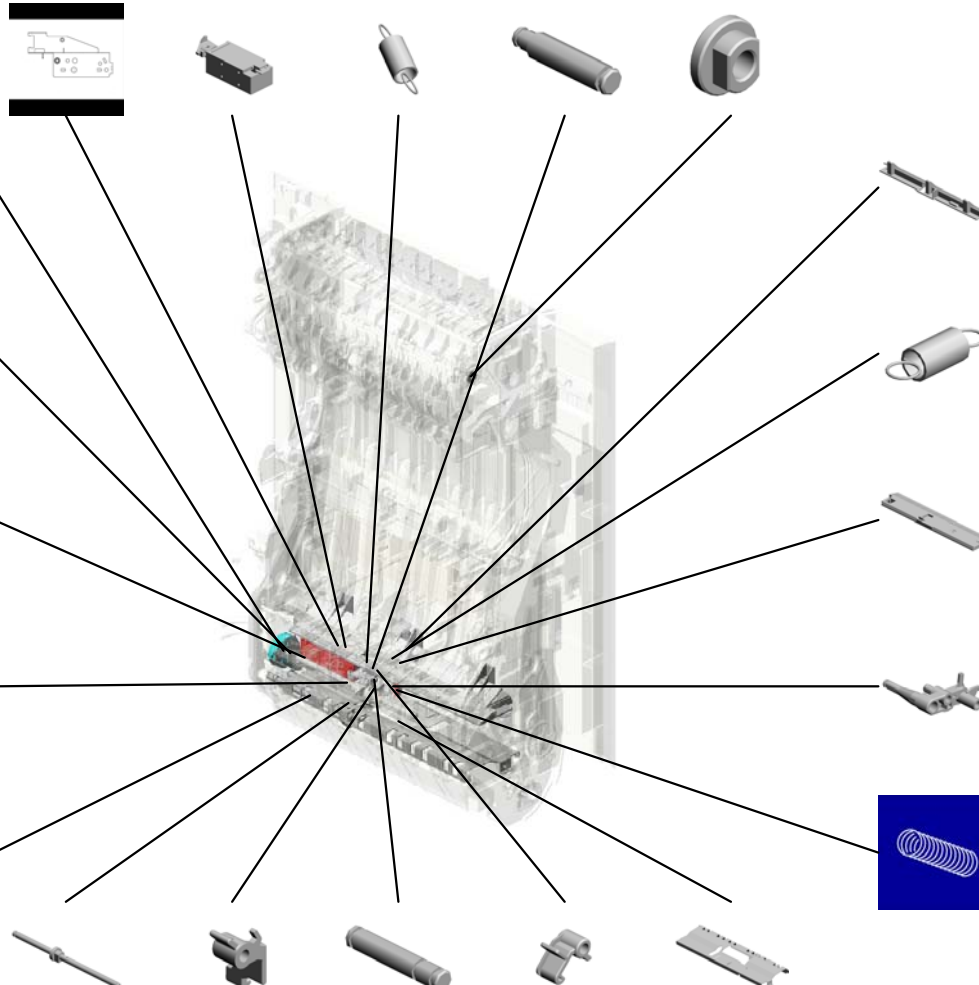
57.M0262628  
GUIDE:MANUAL FEED:UPPER

54.M0262622  
COIL SPRING:PRESSURE RELEASE

56.M0262627  
COVER:GUIDE:MANUAL FEED:UPPER

46.M0262604  
ARM:PICKUP

49.M0262612  
COIL SPRING:PRESSURE:SEPARATOR



# U013 DUPLEX



93.M0264514  
LINK:DUPLEX

92.M0264419  
(x2)  
DRIVEN ROLLER:D  
IA16

65.M0262637  
COMPRESSION SP  
RING:COVER

94.M0264521  
COVER:DUPLEX

79.M0262657  
(x2)  
SHEET:VERTICAL  
TRANSPORT:SENS  
OR

82.M0262662  
STOPPER:MANUA  
L FEED:REAR

64.M0262636  
TORSION SPRING:  
LINK

78.M0262656  
GUIDE PLATE:VER  
TICAL TRANSPOR  
T:UPPER

63.M0262635  
TORSION SPRING:  
PAPER STOPPER

87.M0262667  
(x2)  
COIL SPRING:COV  
ER:MANUAL FEED

75.M0262651  
GUIDE PLATE:VER  
TICAL TRANSPOR  
T:LOWER

80.M0262658  
SHAFT:DRIVEN:VE  
RTICAL TRANSPO  
RT

86.M0262666  
COVER:MANUAL F  
EED:LOWER

95.M0264529  
LEVER:CONTACT  
POINT:DUPLEX

83.M0262663  
GEAR:DAMPER:MA  
NUAL FEED TABLE

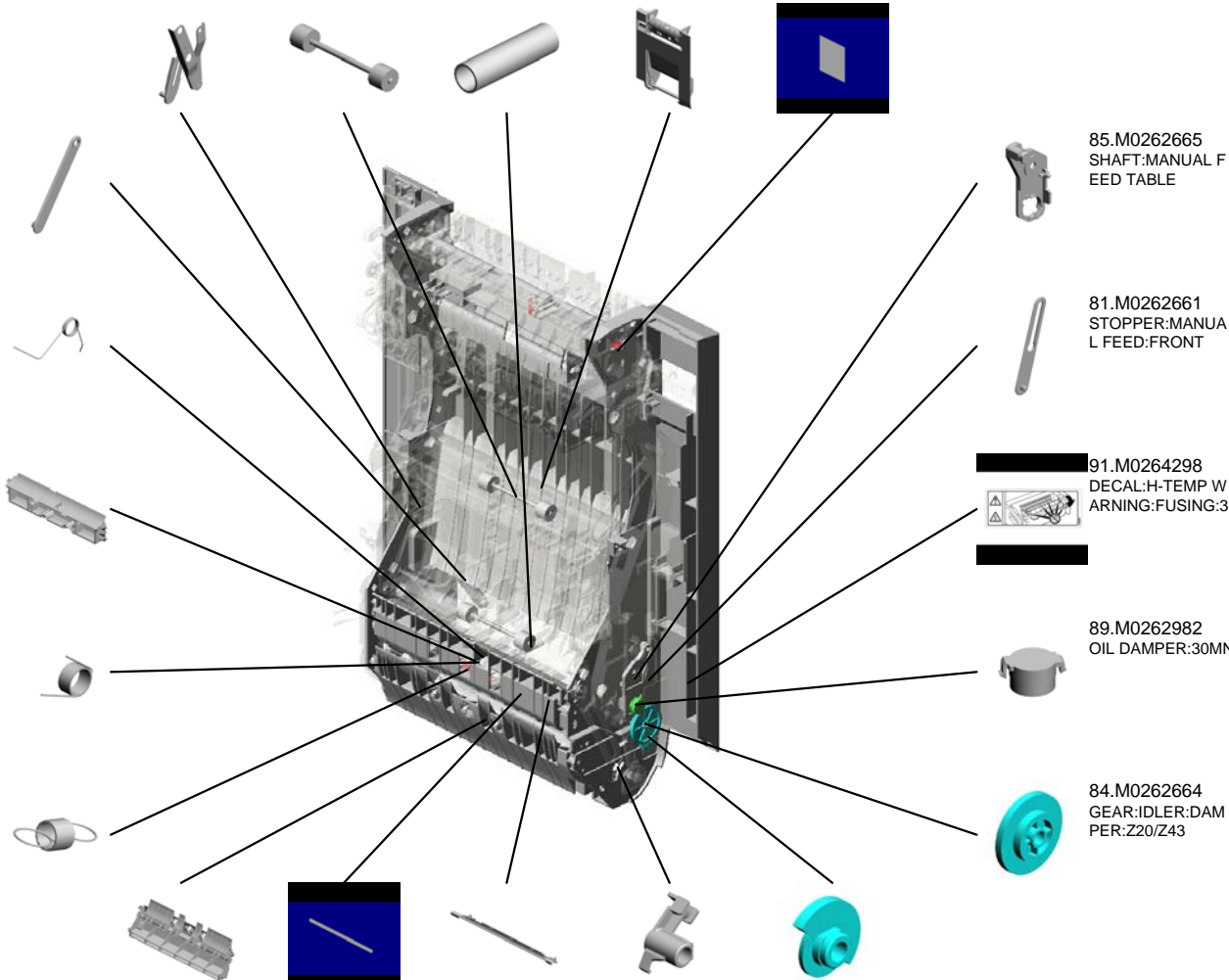
85.M0262665  
SHAFT:MANUAL F  
EED TABLE

81.M0262661  
STOPPER:MANUA  
L FEED:FRONT

91.M0264298  
DECAL:H-TEMP W  
ARNING:FUSING:3

89.M0262982  
OIL DAMPER:30MN

84.M0262664  
GEAR:IDLER:DAM  
PER:Z20/Z43



# U013 DUPLIX



- 107.M0264555 REVERSE ROLLER :RIGHT
- 106.M0264554 REVERSE ROLLER :UPPER
- 109.M0264558 (x6) ROLLER:DRIVEN: DIA12
- 115.M0264569 GATE PAWL:TRAY: RIGHT
- 108.M0264557 GUIDE PLATE:COVER:RIGHT

101.M0264543 HOOK:STOPPER:DUPLIX:REAR

113.M0264566 GATE PAWL:ENTRANCE:DUPLIX:ASY

110.M0264559 STOPPER:DRIVEN ROLLER

111.M0264561 GUIDE PLATE:OPEN AND CLOSE

98.M0264538 INNER COVER:REAR:DUPLIX

103.M0264548 BUSHING:GUIDE:DUPLIX UNIT:SET:REAR

105.M0264553 TRANSPORT ROLLER:FEED PAPER AGAIN

96.M0264530 SHAFT:CONTACT POINT:DUPLIX

99.M0264539 ARM:FRONT

102.M0264547 BUSHING:GUIDE:DUPLIX UNIT:SET:FRONT

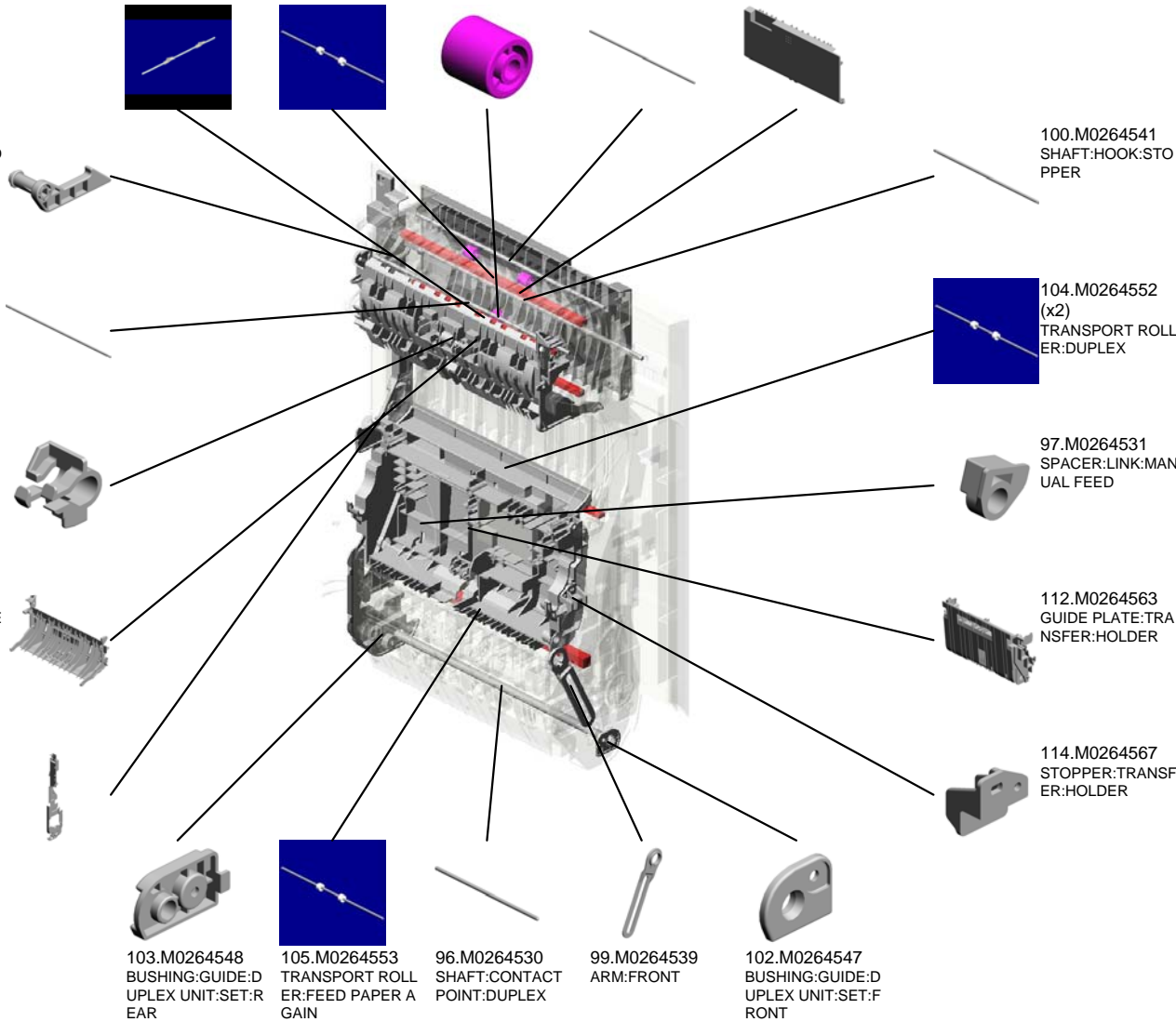
100.M0264541 SHAFT:HOOK:STOPPER

104.M0264552 (x2) TRANSPORT ROLLER:DUPLIX

97.M0264531 SPACER:LINK:MANUAL FEED

112.M0264563 GUIDE PLATE:TRANSFER:HOLDER

114.M0264567 STOPPER:TRANSFER:HOLDER



U001	U002	U003	U004	U005	U006	U007	U008	U009	U010	U011	U012	U013	U014	U015	U016	U017	U018
------	------	------	------	------	------	------	------	------	------	------	------	------	------	------	------	------	------

# U013 DUPLEX



- 129.M0264593 GEAR:PULLEY:R ROLLER:UPPER:Z22/T23
- 128.M0264592 TIMING BELT:REVERSE ROLLER:30S2M184
- 119.M0264578 GUIDE PLATE:UPPER:DUPLEX
- 132.M0264597 COVER:REVERSE:UPPER
- 135.M0264629 STAY:COVER:OPEN AND CLOSE:RIGHT

134.M0264628  
GROUND PLATE:COVER:RIGHT



117.M0264573  
GATE PAWL:UPPER



130.M0264594  
SUPPORT PLATE:GUIDE PLATE:ASY



118.M0264576  
SHAFT:DRIVEN:DUPLEX:EXIT



133.M0264627  
SPRING PLATE:DAMPER:DUPLEX



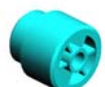
125.M0264587  
GEAR:FEED PAPER AGAIN:Z22



120.M0264581  
GEAR:IDLER:Z40



127.M0264589  
GEAR:COUPLING:MANUAL FEED:Z22/Z22



121.M0264583  
PULLEY:FEED PAPER AGAIN:T26



122.M0264584  
TIMING BELT:TRANSPORT:30S2M330



123.M0264585  
(x2)  
PULLEY:TRANSPORT ROLLER:DUPLEX:T26



126.M0264588  
TIMING BELT:TRANSPORT:30S2M174



124.M0264586  
PULLEY:CONNECTING:T24/T24



116.M0264570  
GUIDE PLATE:V TRANSPORT:DUPLEX



131.M0264596  
INNER COVER:FRONT:DUPLEX





# U013 DUPLEX



149.M0264655  
COIL SPRING:BRACKET:GEAR:REVERSE

136.M0264631  
BRACKET:GEAR:REVERSE

155.M0264673  
GUIDE PLATE:REVERSE:UPPER

138.M0264635  
(x2)  
COIL SPRING:ROLLER:OPEN AND CLOSE

154.M0264672  
(x3)  
SHAFT:DRIVEN:ROLLER:DUPLEX:RIGHT

153.M0264671  
ARM:PRESSURE RELEASE:REAR

142.M0264640  
TENSION SPRING:GATE PAWL:TRAY:RIGHT

137.M0264634  
(x2)  
COIL SPRING:ROLLER:OPEN AND CLOSE

141.M0264638  
(x4)  
COIL SPRING:ROLLER:REVERSE

151.M0264664  
TORSION SPRING:DAMPER:DUPLEX:84N

143.M0264641  
TENSION SPRING:GATE PAWL

150.M0264663  
GEAR:DAMPER:DUPLEX

139.M0264636  
LINK:GATE PAWL:UPPER

146.M0264644  
GUIDE PLATE:LINK:DUPLEX:ASSY

152.M0264669  
ARM:PRESSURE RELEASE:FRONT

148.M0264652  
GUIDE:GEAR:DUPLEX:MANUAL FEED

144.M0264642  
(x2)  
COIL SPRING:ROLLER:TRANSFER:55N

145.M0264643  
(x2)  
COIL SPRING:ROLLER:TRANSFER:30N

140.M0264637  
TENSION SPRING:GATE PAWL:UPPER

147.M0264645  
SUPPORTING PLATE:FRONT:DUPLEX

U001	U002	U003	U004	U005	U006	U007	U008	U009	U010	U011	U012	<b>U013</b>	U014	U015	U016	U017	U018
------	------	------	------	------	------	------	------	------	------	------	------	-------------	------	------	------	------	------

# U013 DUPLEX

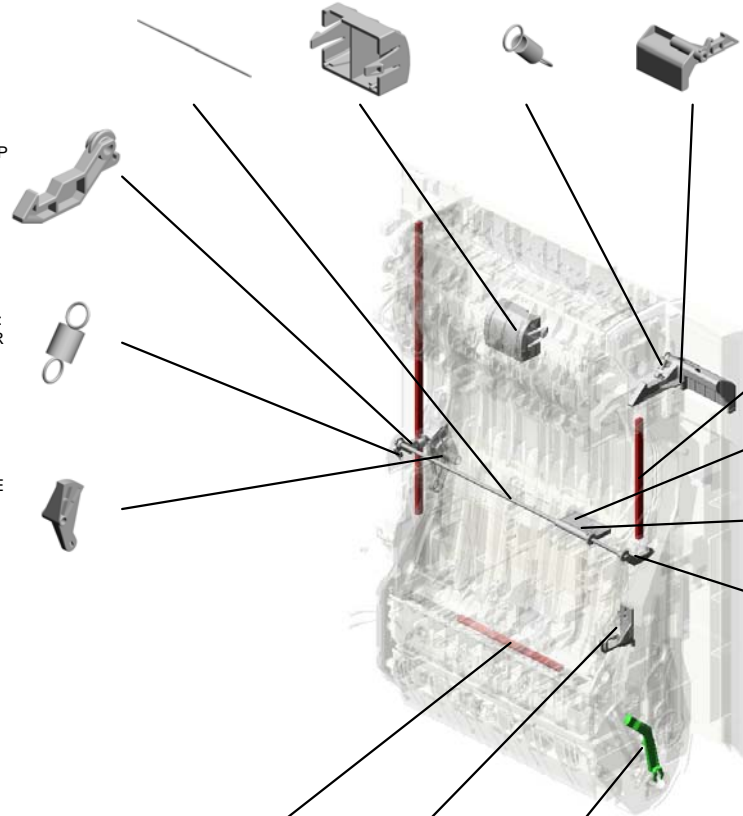
160.M0264682 SHAFT:GUIDE PLATE:TRANSFER:HOLDER  
 159.M0264681 GUIDE:COVER:SENSOR:TRAY:RIGHT  
 168.M0264696 TENSION SPRING:LEVER:DUPLEX  
 169.M0264697 HOOK:STOPPER:DUPLEX:FRONT



161.M0264683 STOPPER:GUIDE PLATE:REAR

167.M0264695 TENSION SPRING:LEVER:TRANSFER

156.M0264674 GEAR:LINK:DUPLEX



158.M0264678 GROUND WIRE:DUPLEX:ENTRANCE:SENSOR

163.M0264686 DECAL:TRANSFER:HOLDER

164.M0264687 LEVER:GUIDE PLATE:TRANSFER:HOLDER

166.M0264694 STOPPER:GUIDE PLATE:FRONT

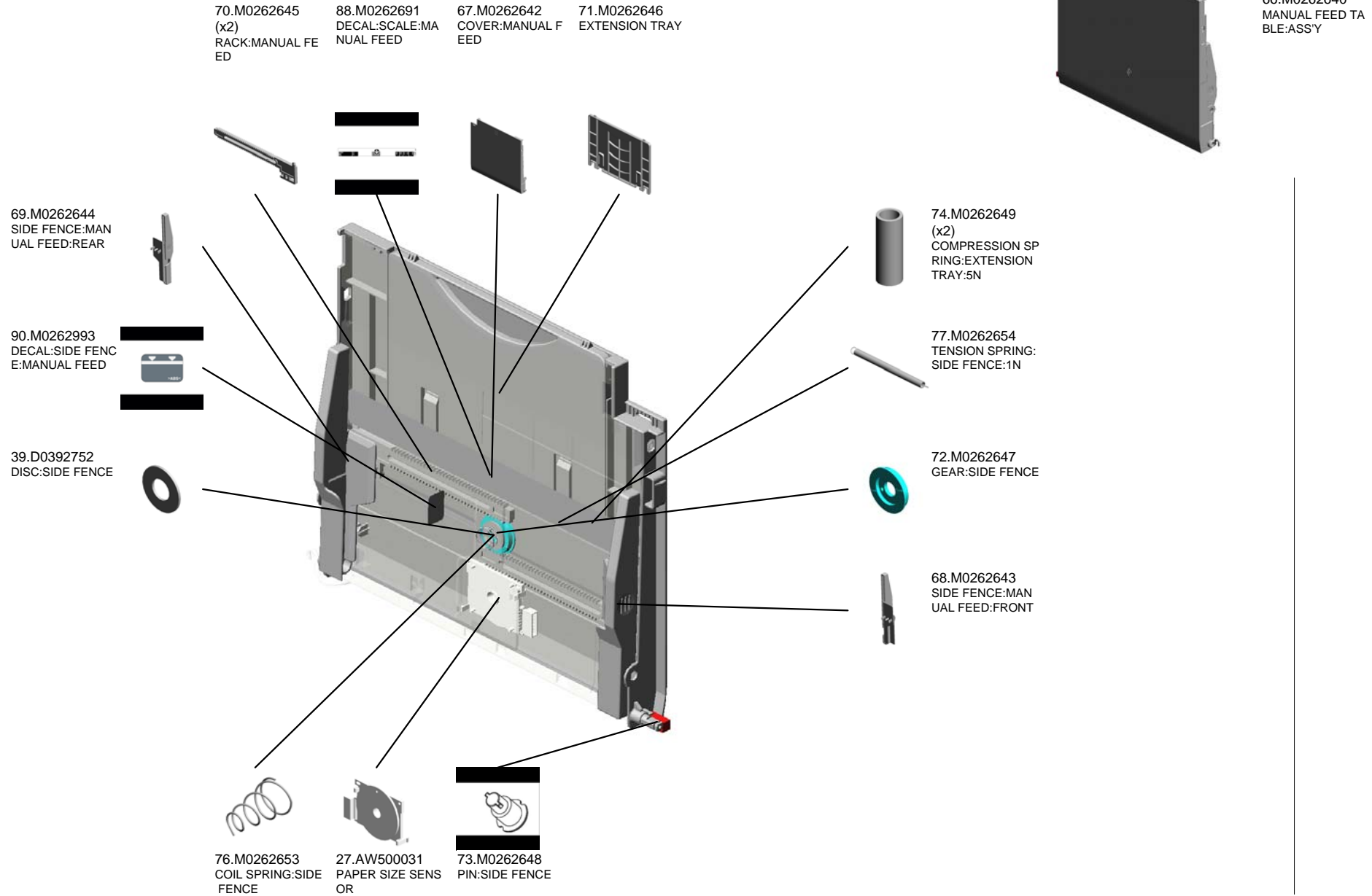
157.M0264677 (x2) GROUND WIRE:DUPLEX:EXIT:SENSOR

162.M0264685 STOPPER:GUIDE PLATE:TRANSFER:HOLDER

165.M0264688 END RING:CONTACT POINT:DUPLEX

U001	U002	U003	U004	U005	U006	U007	U008	U009	U010	U011	U012	<b>U013</b>	U014	U015	U016	U017	U018
------	------	------	------	------	------	------	------	------	------	------	------	-------------	------	------	------	------	------

U013\_S001  
MANUAL FEED TABLE:ASS'Y



U001	U002	U003	U004	U005	U006	U007	U008	U009	U010	U011	U012	U013	U014	U015	U016	U017	U018
------	------	------	------	------	------	------	------	------	------	------	------	------	------	------	------	------	------

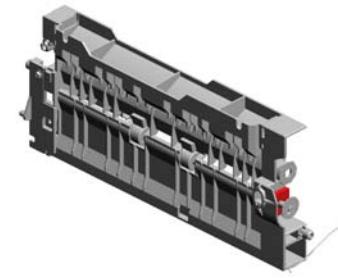
# U014 PAPER EXIT

6.B2234494  
STOPPER-UPPER  
GATE PAWL

3.08050089  
(x2)  
RETAINING RING-  
M4

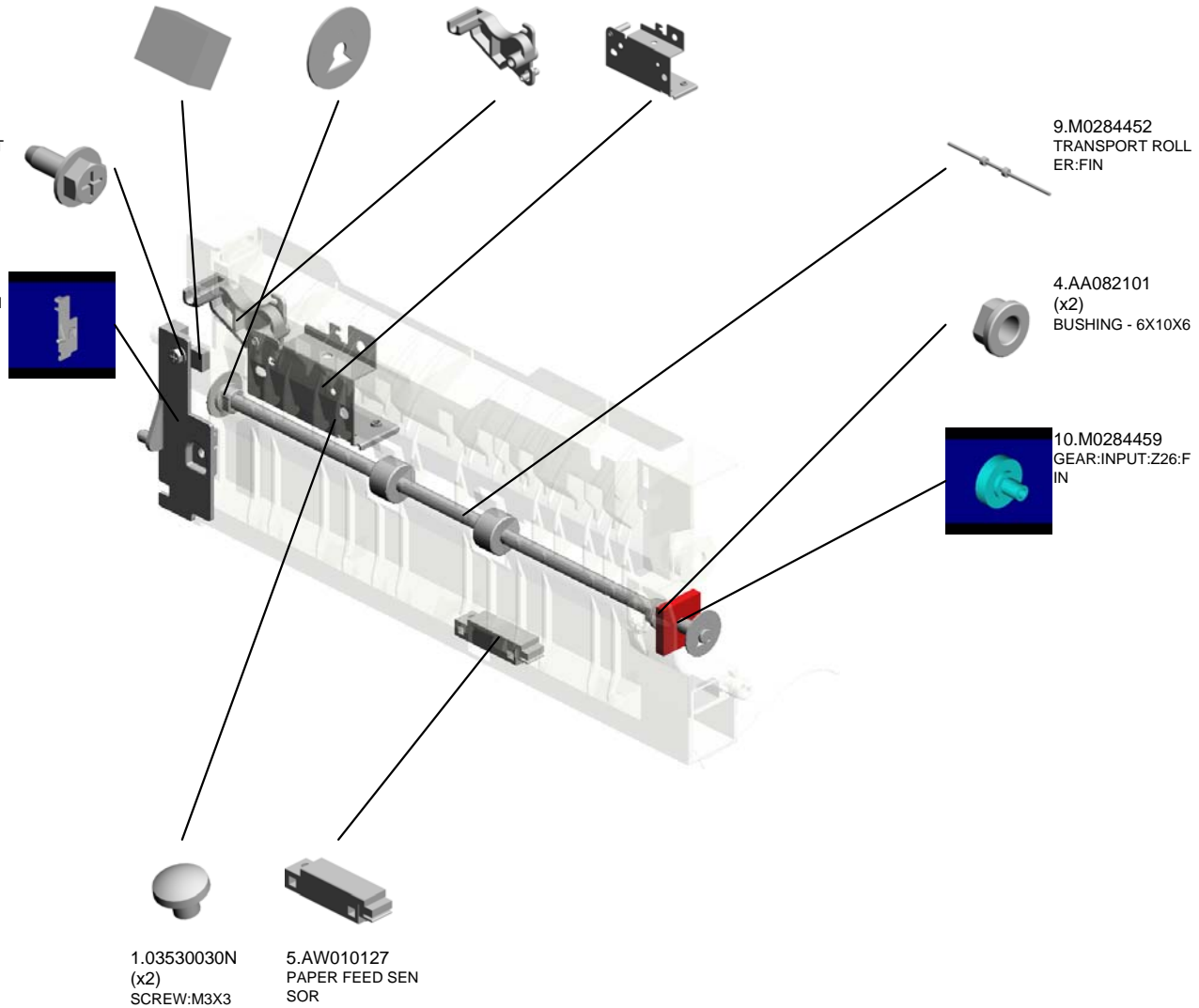
8.M0284443  
DC SOLENOID:GA  
TE PAWL:NO.2

11.M0284475  
BRACKET:DC SOL  
ENOID:PEEN



2.08025319  
HEXAGON HEAD T  
APPING SCREW:EXI  
S:3X8

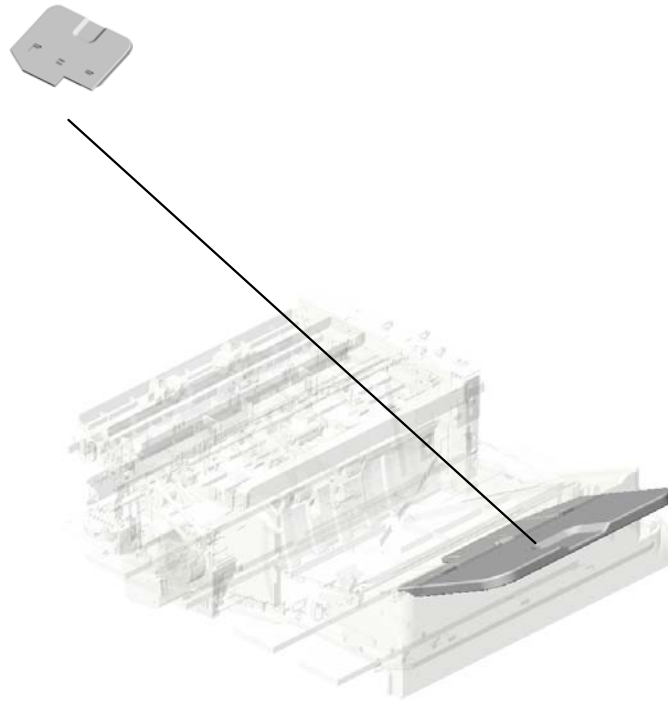
7.M0264487  
INNER COVER:EXI  
T



U001	U002	U003	U004	U005	U006	U007	U008	U009	U010	U011	U012	U013	U014	U015	U016	U017	U018
------	------	------	------	------	------	------	------	------	------	------	------	------	------	------	------	------	------

# U015.FINISHER

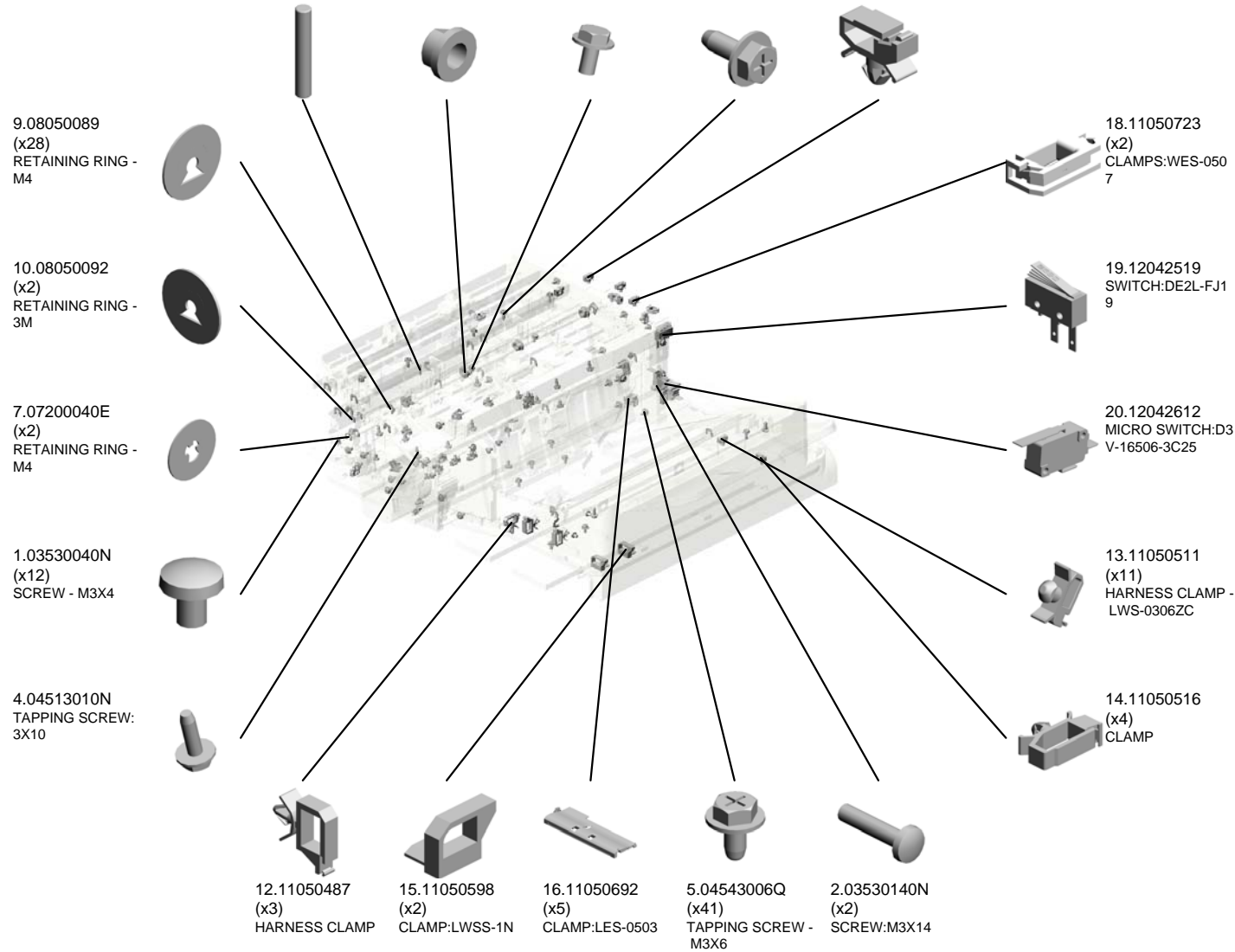
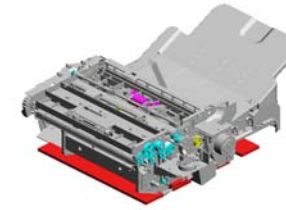
U015\_S001  
M3666120  
TRAY:EXIT:AUXILIARY:ASS'Y



U001	U002	U003	U004	U005	U006	U007	U008	U009	U010	U011	U012	U013	U014	U015	U016	U017	U018
------	------	------	------	------	------	------	------	------	------	------	------	------	------	------	------	------	------

# U015 FINISHER

6.06320120G (x2) PARALLEL PIN - 2X12  
 11.08053385 (x4) BUSHING - 6MM  
 3.03603006P (x5) SCREW - M3X6  
 8.08025319 (x10) HEXAGON HEAD TAPPING SCREW:ES:3X8  
 17.11050717 (x5) CLAMP:JDW-1S



# U015 FINISHER

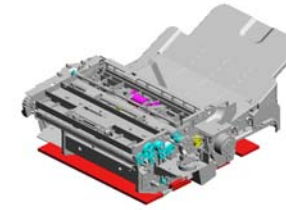
28.AA082101  
(x17)  
BUSHING - 6X10X6

25.AA043337  
TIMING BELT:40S3  
M168

31.AF022147  
DRIVEN ROLLER

27.AA063529  
(x2)  
PRESSURE SPRING  
G - 14.5MM

38.B4082175  
(x2)  
BUSHING - ROLLER  
SLIDE



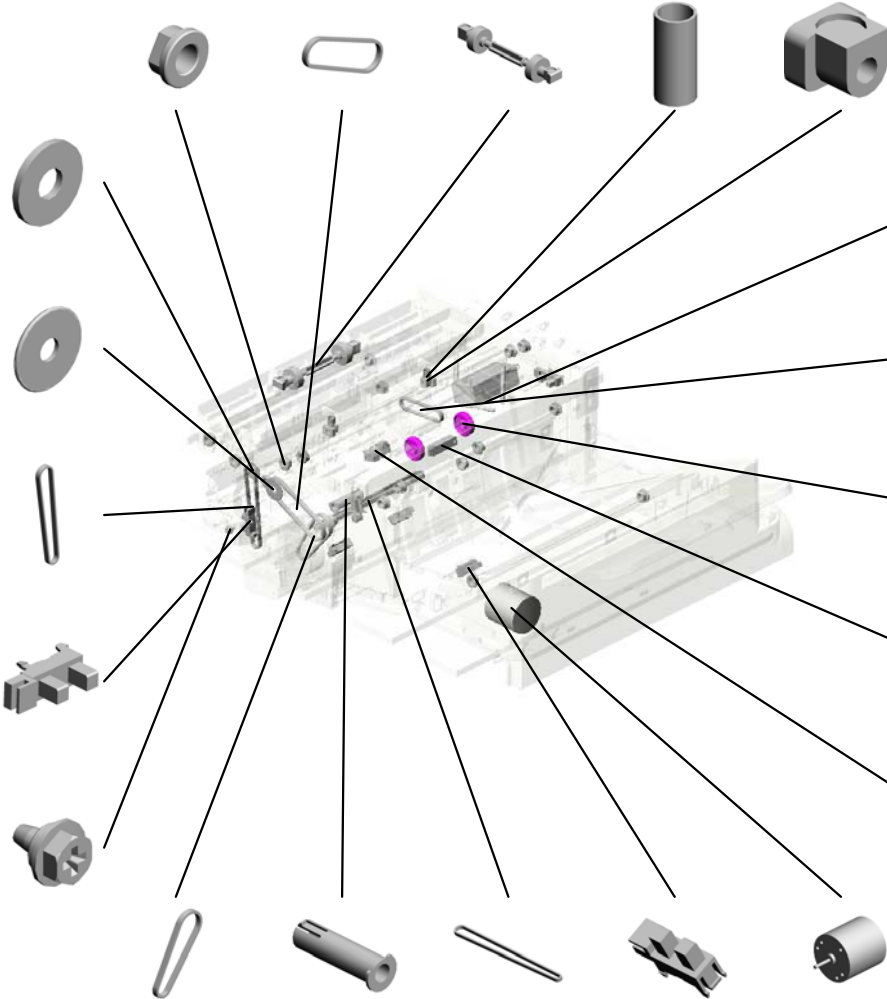
29.AA132169  
SPACER - 5.7X16X  
1.5

39.B4783569  
SPACER

26.AA043660  
TIMING BELT:40S2  
M172

34.AW020114  
(x2)  
PHOTO INTERRUPTOR - LOWER LIMIT

30.AA143790  
SCREW:CONTACT  
POINT



32.AJ011025  
STAPLER:EH-C590  
R

40.B7003535  
TIMING BELT:B40S  
2M116

21.A6812742  
(x2)  
DRIVEN EXIT ROLLER

33.AW010109  
PHOTO REFLECTIVE  
SENSOR:PS117E  
D1

36.AW020154  
PHOTO INTERRUPTOR:ENTRANCE

24.AA043318  
TIMING BELT - 40S  
3M144

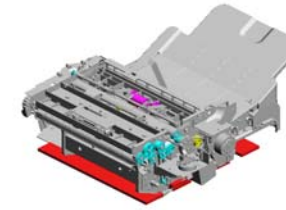
22.A6814515  
BUSHING - 6MM

23.A8584181  
TIMING BELT - 2XL

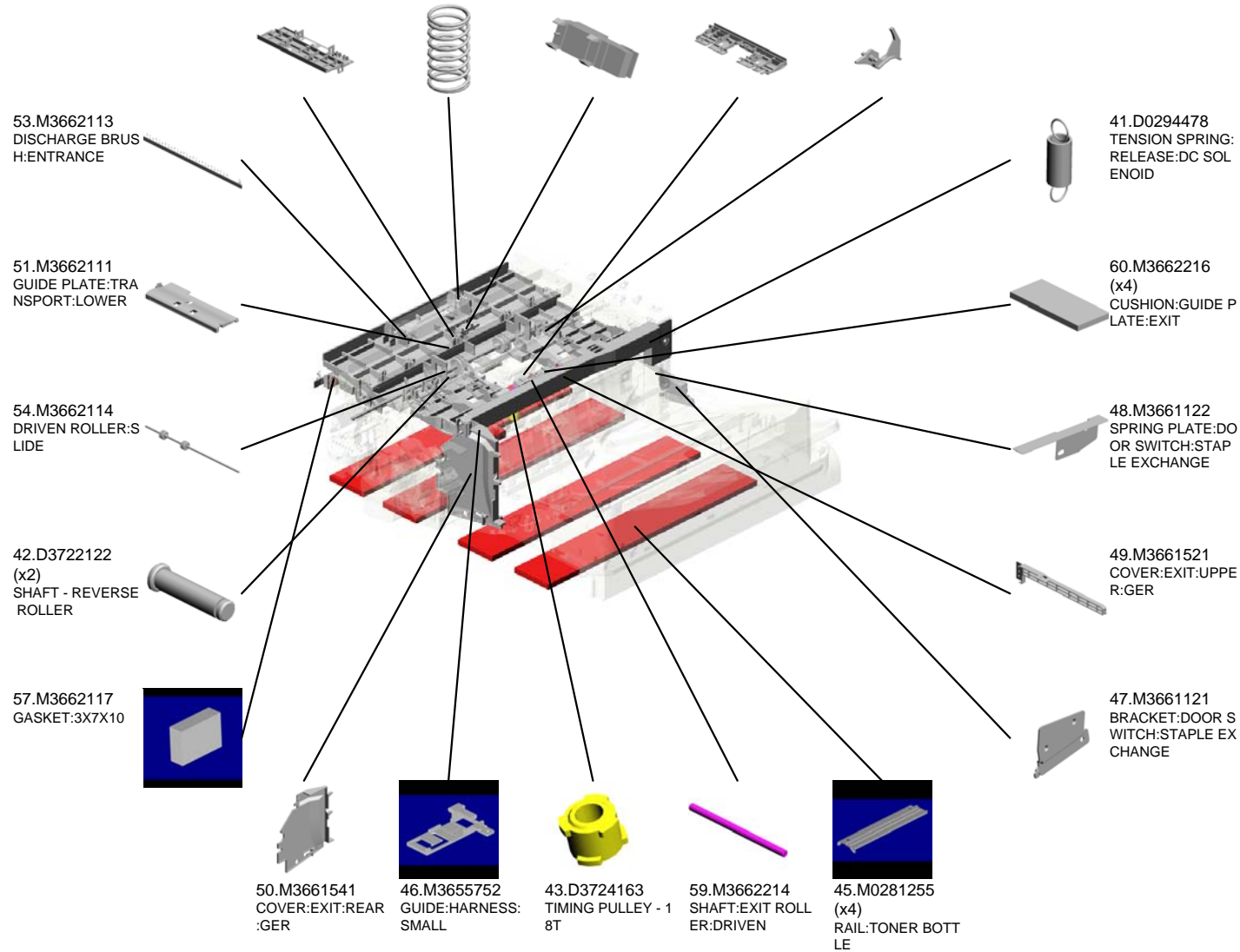
35.AW020141  
(x4)  
PHOTO INTERRUPTOR

37.AX040241  
DC MOTOR:DIA35:  
3.1W

# U015 FINISHER



- 52.M3662112 GUIDE PLATE:TRANSPORT:UPPER
- 55.M3662115 (x2) COMPRESSION SPRING:DRIVEN
- 44.GW010007 PHOTO REFLECTION SENSOR:EXIT
- 58.M3662212 GUIDE PLATE:EXIT:OPEN AND CLOSE
- 56.M3662116 (x3) GUIDE:TRAILING EDGE





# U015 FINISHER

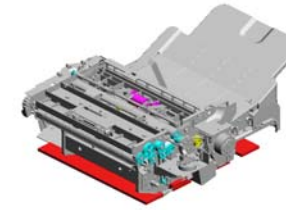
74.M3662311  
TRANSPORT ROLL  
ER:ENTRANCE

69.M3662237  
ARM:GATHERING  
ROLLER

65.M3662232  
SHAFT:GATHERIN  
G ROLLER:DRIVE:  
ASSY

66.M3662234  
TIMING PULLEY:G  
ATHERING ROLL  
ER:DRIVE:TRANSMI  
SSION

76.M3662313  
KNOB:TRANSPOR  
T ROLLER:ENTRA  
NCE



75.M3662312  
(x2)  
GEAR:TRANSPOR  
T:Z25



77.M3662321  
TRANSPORT ROLL  
ER:SLIDE



72.M3662251  
GEAR:GATHERING  
ROLLER:DRIVE:Z2  
0



73.M3662252  
GEAR:PULLEY:Z18  
/T20



78.M3662322  
LINK:ROLLER:SLI  
DE:ASSY



70.M3662238  
SHAFT:BALANCER  
:GATHERING ROLL  
ER



61.M3662222  
PAWL:EXIT:OPEN  
AND CLOSE:ASSY



67.M3662235  
GATHERING ROLL  
ER



68.M3662236  
SHAFT:GATHERIN  
G ROLLER



71.M3662241  
DISCHARGE BRUS  
H:EXIT:OPEN AND  
CLOSE



63.M3662224  
GEAR:SECTOR:EXI  
T:OPEN AND CLOS  
E



64.M3662225  
LEVER:SAFETY S  
WITCH



79.M3662325  
BUSHING:ROLLER:  
SLIDE



62.M3662223  
(x4)  
SPRING PLATE:GU  
IDE PLATE:EXIT

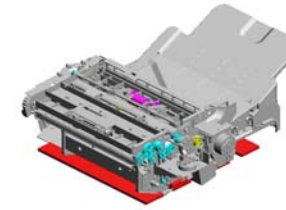


80.M3662331  
EXIT ROLLER:FRO  
NT



# U015 FINISHER

- 84.M3662511 SHAFT:DRIVE:TRANSMISSION:ROLLER:RETURN
- 91.M3662519 GEAR:RETURN:DRIVE:Z25
- 85.M3662512 (x2) GEAR:RETURN:DRIVE:TRANSMISSION:Z31
- 87.M3662515 (x2) GEAR:ROLLER:RETURN:MIDDLE:Z28
- 89.M3662517 (x2) ARM:REVERSE ROLLER



94.M3662615  
GEAR:IDLER:Z35



93.M3662614  
GEAR:IDLER:Z22



90.M3662518  
GEAR:IDLER:Z22:LIGHTER



92.M3662613  
GEAR:PULLEY:Z25/T20



98.M3662635  
CAM:ROLLER:SLIDE



97.M3662632  
BRACKET:DC STEPPER MOTOR:SLIDE:ASSY



95.M3662616  
TENSION SPRING:TENSIONER:TRANSPORT



96.M3662621  
BRACKET:DC STEPPER MOTOR:EXIT



82.M3662334  
TIMING PULLEY:EXIT ROLLER:DRIVE



100.M3662651  
BRACKET:DC STEPPER MOTOR:GATHERING ROLLER:ASSY



99.M3662641  
BRACKET:DC STEPPER MOTOR:EXIT:OPEN AND CLOSE:ASSY



86.M3662514  
(x2)  
GEAR:ROLLER:RETURN:MIDDLE:Z25



88.M3662516  
(x2)  
REVERSE ROLLER:TRAILING EDGE:Z20



81.M3662332  
EXIT ROLLER:INNER BACK



83.M3662335  
TIMING PULLEY:EXIT ROLLER:DRIVE



# U015 FINISHER

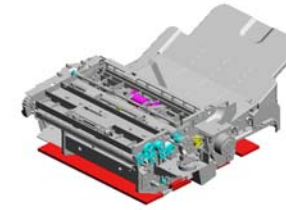
119.M3663521  
SHAFT:EXIT:COUPLING

118.M3663510  
BRACKET:EXIT:CONNECTING

114.M3663420  
ARM:PAPER SENSER:TRAILING EDGE:ASSY

102.M3663121  
END FENCE:EXIT

116.M3663441  
TORSION SPRING:LEVER



121.M3663523  
(x2)  
GEAR:EXIT:COUPLING:MIDDLE:Z19



120.M3663522  
(x2)  
GEAR:EXIT:COUPLING:Z20



113.M3663412  
BRACKET:SOLENOID:PAPER SENSER



117.M3663442  
CUSHION:PLATE:RETURN



101.M3662654  
CAM:LEVER:GATHERING ROLLER



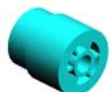
115.M3663430  
DC SOLENOID:PAPER SENSER:SUB-ASSY



112.M3663325  
GEAR:DRIVE:CAM:Z42



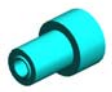
109.M3663316  
GEAR:Z20/Z35



107.M3663310  
BRACKET:DC MOTOR:EXIT:ASSY



110.M3663317  
GEAR:Z37:WORM GEAR



104.M3663231  
TRAY:EXIT:MOVABLE



111.M3663320  
CAM:TRAY:MOVABLE:ASSY



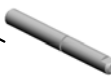
106.M3663251  
INNER COVER:TRAY



103.M3663221  
TRAY:EXIT:FIX

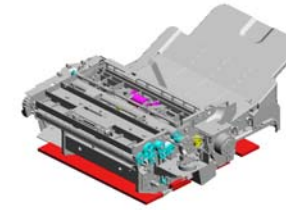


108.M3663315  
SHAFT:WORM WHEEL



# U015 FINISHER

122.M3664112 JOGGER FENCE:R  
EAR  
125.M3664151 STANDARD FENCE  
:TRAILING EDGE:S  
UB-ASS'Y  
123.M3664113 SHAFT:GUIDE:JOG  
GER:FRONT  
126.M3664156 TRAY:STAPLE  
137.M3666110 BRACKET:FIX:FINI  
SHING UNIT



124.M3664142  
BRACKET:DC STE  
PPER MOTOR:JOG  
GER



134.M3665561  
(x3)  
DC STEPPER MOT  
OR:1.48W



135.M3665570  
DC STEPPER MOT  
OR:TRANSPORT:3.  
78W



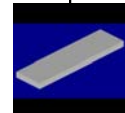
136.M3665571  
DC STEPPER MOT  
OR:EXIT:3.78W



133.M3665560  
DC STEPPER MOT  
OR:JOGGER:1.48  
W



140.M3666212  
CUSHION:SMALL



128.M3664158  
STAY:JOGGER



129.M3664161  
TENSIONER:JOGG  
ER FENCE



127.M3664157  
STANDARD FENCE  
:FIX:FRONT



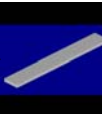
131.M3664210  
BRACKET:STAPLE  
R



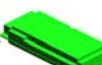
130.M3664170  
TENSION SPRING:  
BELT TENSIONER:  
JOGGER FENCE



139.M3666211  
CUSHION

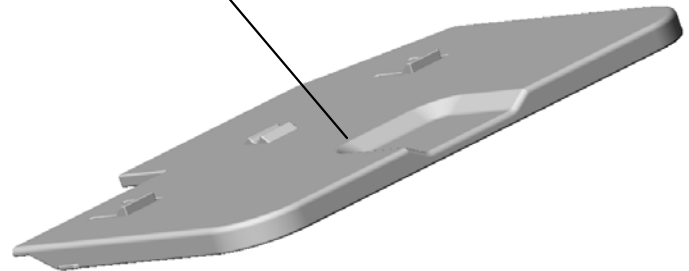
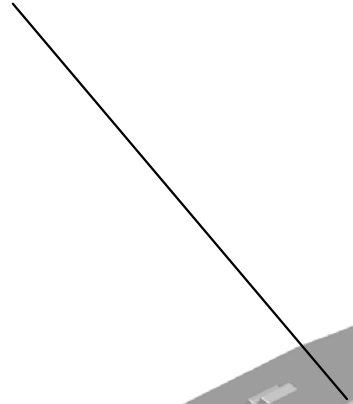


132.M3665124  
PCB:MAIN CONTR  
OL:ASS'Y



U015\_S001  
TRAY:EXIT:AUXILIARY:ASS'Y

105.M3663241  
TRAY:EXIT:AUXILIARY:SMALL



138.M3666120  
TRAY:EXIT:AUXILIARY:ASS'Y

U001	U002	U003	U004	U005	U006	U007	U008	U009	U010	U011	U012	U013	U014	U015	U016	U017	U018
------	------	------	------	------	------	------	------	------	------	------	------	------	------	------	------	------	------

# U016.MAIN DRIVE

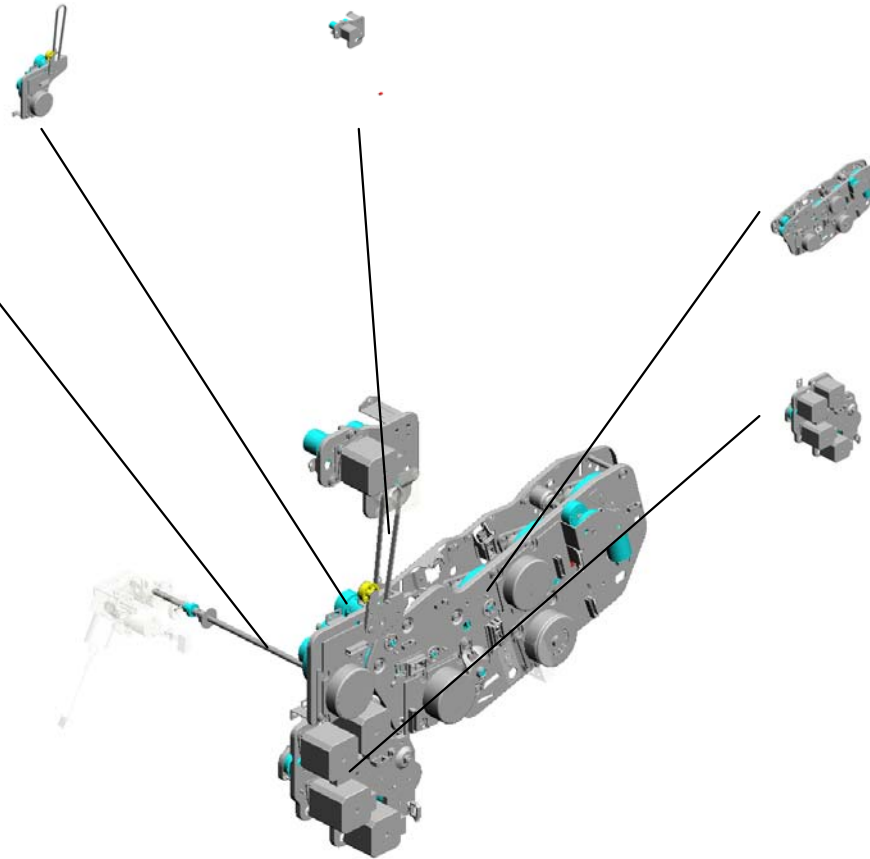
U016\_S003  
M0261165  
DRIVE UNIT:FUSING

U016\_S004  
M0281169  
DRIVE UNIT:PAPER EXIT SU  
B-UNIT:NO.2

U016\_S002  
M0281148  
SHAFT:ON-OFF:SECOND:PR  
ESS FIT

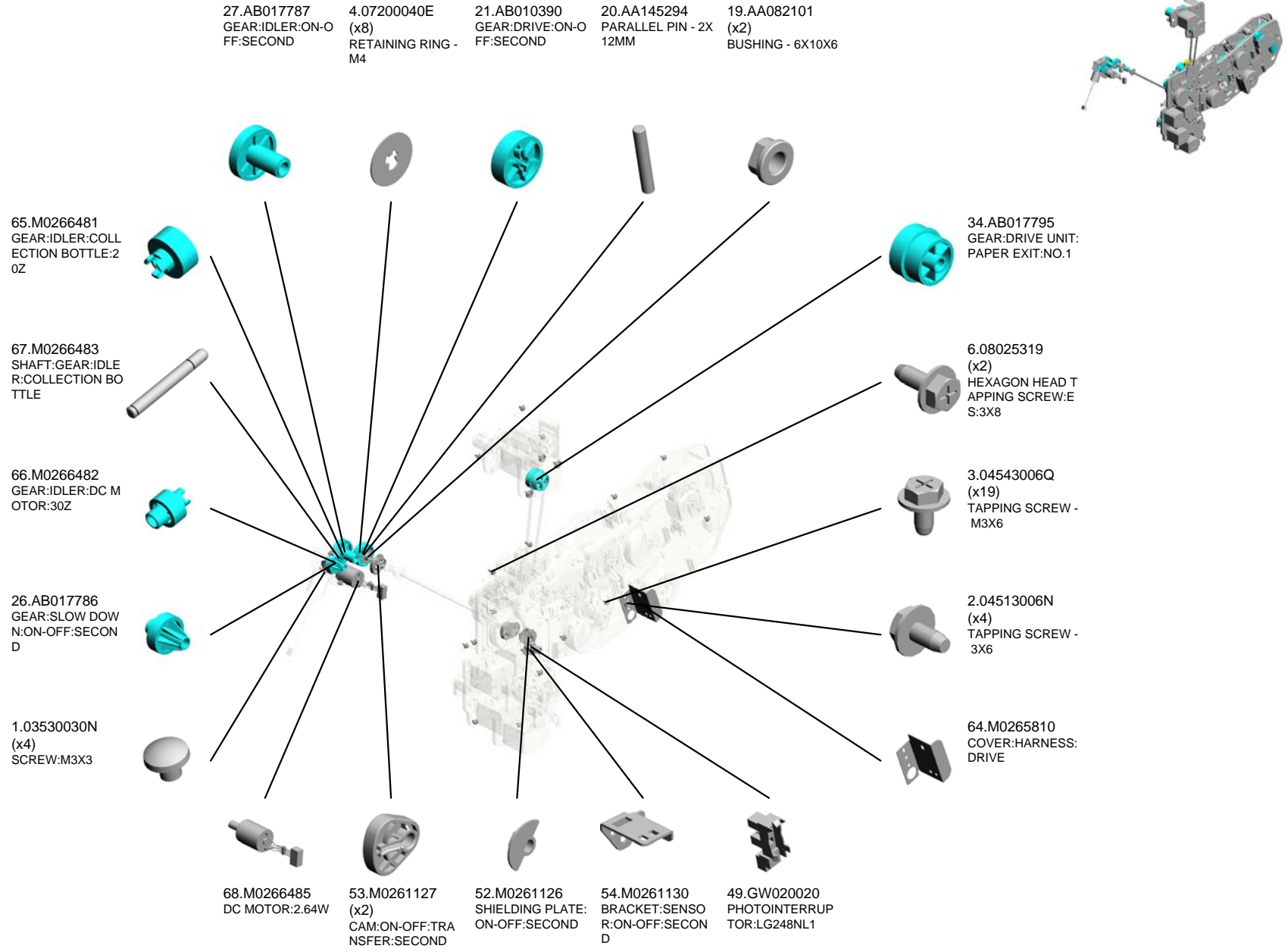
U016\_S001  
M0261135  
DRIVE UNIT:DRUM:DEVELO  
PMENT:TRANSFER

U016\_S005  
M0261180  
DRIVE UNIT:PAPER FEED



U001	U002	U003	U004	U005	U006	U007	U008	U009	U010	U011	U012	U013	U014	U015	<b>U016</b>	U017	U018
------	------	------	------	------	------	------	------	------	------	------	------	------	------	------	-------------	------	------

# U016 MAIN DRIVE

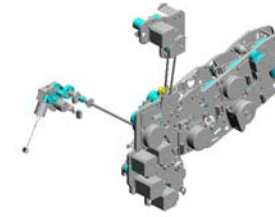


U001	U002	U003	U004	U005	U006	U007	U008	U009	U010	U011	U012	U013	U014	U015	U016	U017	U018
------	------	------	------	------	------	------	------	------	------	------	------	------	------	------	------	------	------

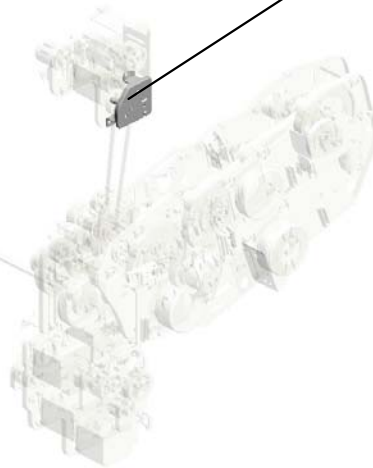
# U016 MAIN DRIVE

69.M0281031 DC MOTOR:ON-OFF  
F:1.56W

70.M0281032 BRACKET:ON-OFF:  
USED TONER



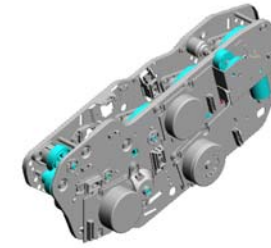
72.M0281165  
BRACKET:DRIVE U  
NIT:PAPER EXIT:N  
O.1



U001	U002	U003	U004	U005	U006	U007	U008	U009	U010	U011	U012	U013	U014	U015	<b>U016</b>	U017	U018
------	------	------	------	------	------	------	------	------	------	------	------	------	------	------	-------------	------	------



U016\_S001  
 DRIVE UNIT:DRUM:DEVELOPMENT:TRANSFER



55.M0261135  
 DRIVE UNIT:DRUM  
 :DEVELOPMENT:T  
 RANSFER

14.11050723 (x5)  
 CLAMPS:WES-050  
 7

43.AX060388  
 DC BRUSHLESS M  
 OTOR:DRUM:COL  
 OR:25W

25.AB017785  
 GEAR:ON-OFF:TR  
 ANSFER:NO.2

4.07200040E (x14)  
 RETAINING RING -  
 M4

3.04543006Q (x24)  
 TAPPING SCREW -  
 M3X6

19.AA082101  
 (x2)  
 BUSHING - 6X10X6



5.07200060E  
 RETAINING RING -  
 M6



7.08050088  
 RETAINING RING -  
 M6



45.AX200319  
 MAGNETIC CLUTC  
 H:DEVELOPMENT



6.08025319  
 (x4)  
 HEXAGON HEAD T  
 APPING SCREW:E  
 S:3X8



44.AX060389  
 DC BRUSHLESS M  
 OTOR:DRUM:BK:31  
 W



11.11050511  
 (x6)  
 HARNESS CLAMP -  
 LWS-0306ZC



49.GW020020  
 (x3)  
 PHOTOINTERRUP  
 TOR:LG248NL1



46.B2231144  
 (x2)  
 HOLDER:POSITIO  
 NING SENSOR



42.AX060387  
 DC BRUSHLESS M  
 OTOR:DEV:COLOR  
 :40W



1.03530030N  
 (x2)  
 SCREW:M3X3



24.AB017784  
 GEAR:ON-OFF:TR  
 ANSFER:NO.1



2.04513006N  
 (x22)  
 TAPPING SCREW -  
 3X6



12.11050516  
 (x4)  
 CLAMP



13.11050534  
 CLAMP



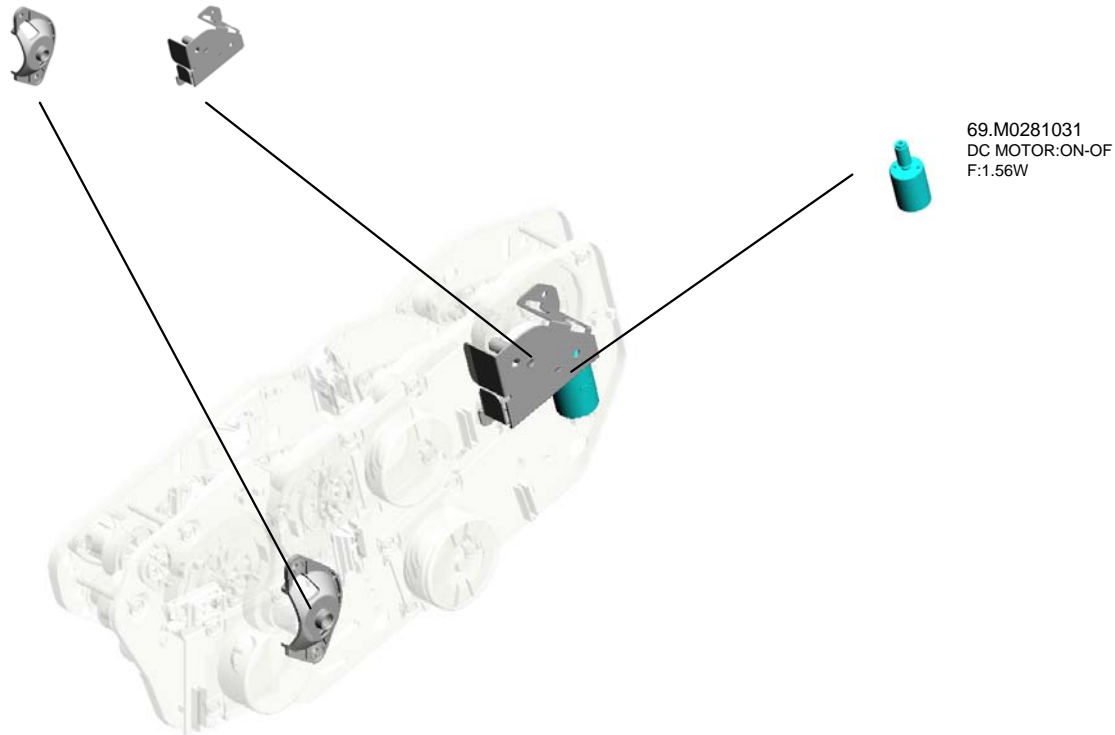
U016\_S001  
DRIVE UNIT:DRUM:DEVELOPMENT:TRANSFER

50.M0261033  
HOLDER:CLUTCH:  
DEVELOPMENT

51.M0261049  
BRACKET:ON-OFF:  
TRANSFER



55.M0261135  
DRIVE UNIT:DRUM  
:DEVELOPMENT:T  
RANSFER



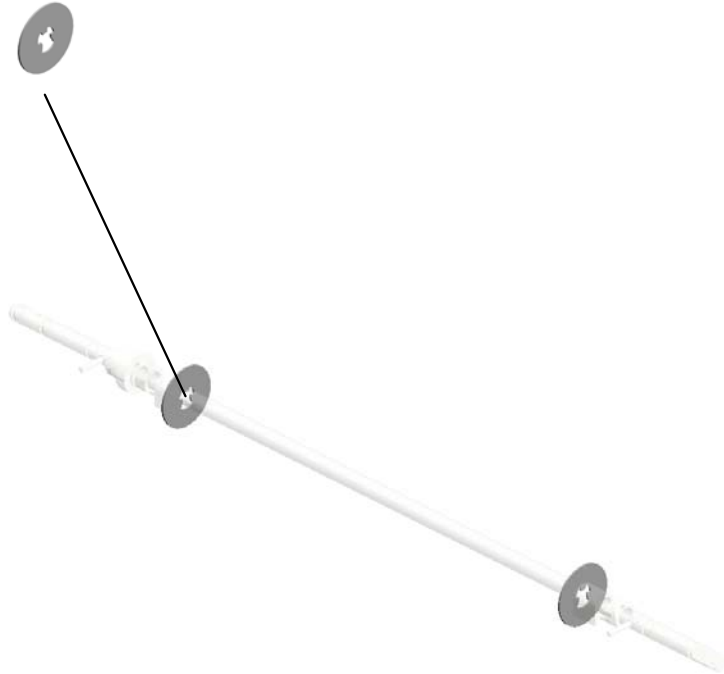
69.M0281031  
DC MOTOR:ON-OF  
F:1.56W

U001	U002	U003	U004	U005	U006	U007	U008	U009	U010	U011	U012	U013	U014	U015	U016	U017	U018
------	------	------	------	------	------	------	------	------	------	------	------	------	------	------	------	------	------

U016\_S002

SHAFT:ON-OFF:SECOND:PRESS FIT

4.07200040E  
(x2)  
RETAINING RING -  
M4



71.M0281148  
SHAFT:ON-OFF:SE  
COND:PRESS FIT

U001	U002	U003	U004	U005	U006	U007	U008	U009	U010	U011	U012	U013	U014	U015	U016	U017	U018
------	------	------	------	------	------	------	------	------	------	------	------	------	------	------	------	------	------

U016\_S003  
DRIVE UNIT:FUSING

33.AB017794  
GEAR:DRIVE UNIT:  
FUSING:NO.4

8.08050089  
RETAINING RING -  
M4

40.AB030828  
PULLEY:DRIVE UNI  
T:FUSING:TIGHTE  
NER

15.AA043338  
TIMING BELT:DRIV  
E UNIT:50S3M351

56.M0261165  
DRIVE UNIT:FUSIN  
G

31.AB017792  
GEAR:DRIVE UNIT:  
FUSING:NO.2

5.07200060E  
(x3)  
RETAINING RING -  
M6

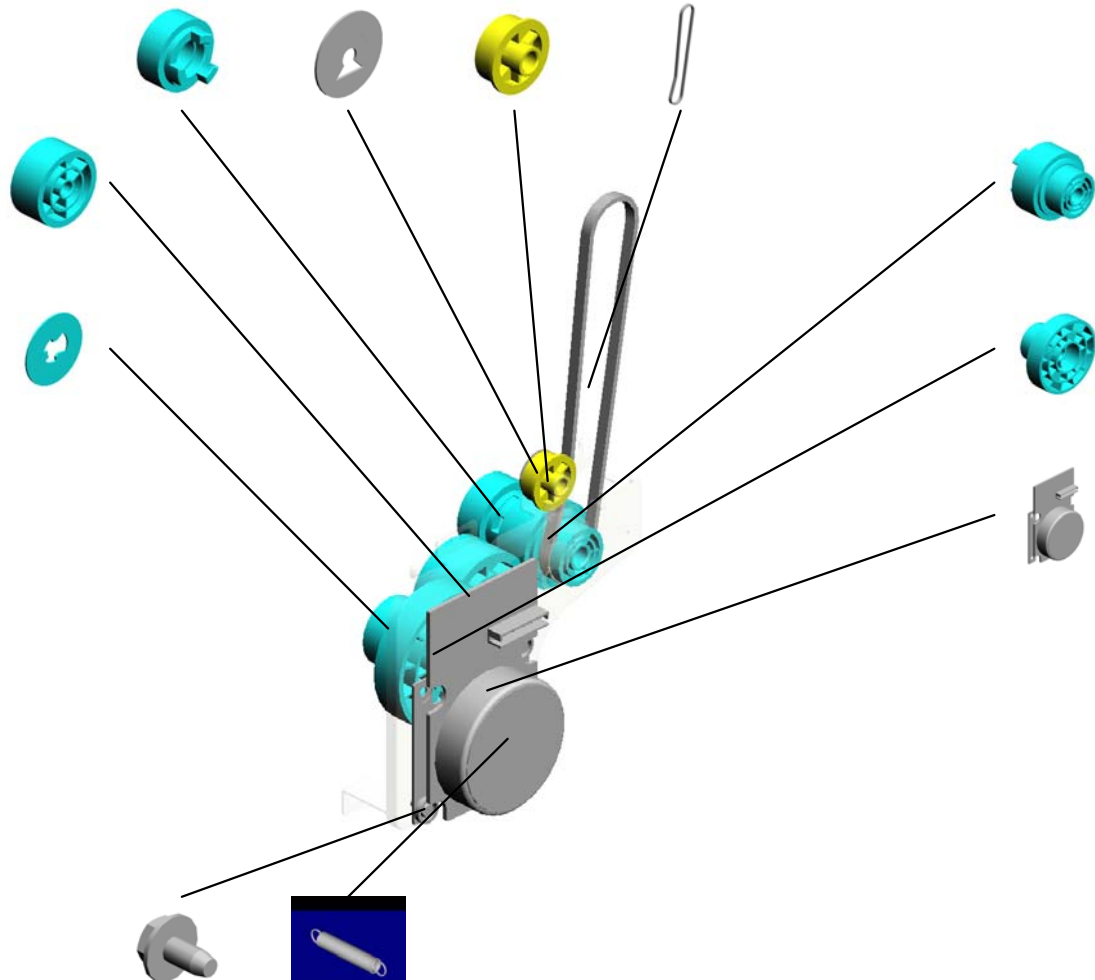
32.AB017793  
GEAR:DRIVE UNIT:  
FUSING:NO.3

39.AB017816  
GEAR:DRIVE UNIT:  
FUSING:NO.1

41.AX060385  
DC BRUSHLESS M  
OTOR:FUSING/EXI  
T:19.5W

2.04513006N  
(x3)  
TAPPING SCREW -  
3X6

48.B8332567  
TENSION SPRING



U001	U002	U003	U004	U005	U006	U007	U008	U009	U010	U011	U012	U013	U014	U015	U016	U017	U018
------	------	------	------	------	------	------	------	------	------	------	------	------	------	------	------	------	------

U016\_S004

DRIVE UNIT:PAPER EXIT SUB-UNIT:NO.2



73.M0281169  
DRIVE UNIT:PAPER  
EXIT SUB-UNIT:  
NO.2

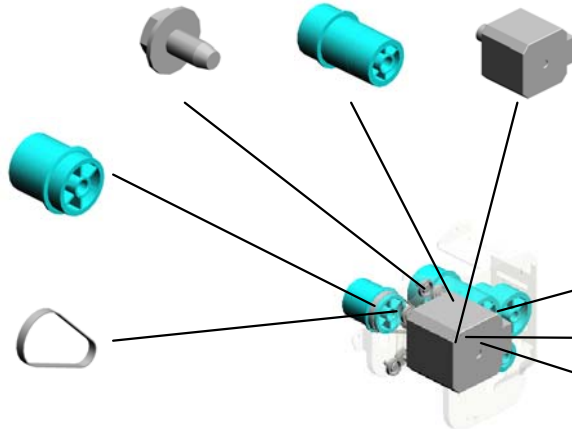
2.04513006N  
(x6)  
TAPPING SCREW -  
3X6

37.AB017798  
GEAR:PAPER EXIT  
UNIT:NO.4

74.M0281178  
DC STEPPER MOT  
OR:REVERSE:0.94  
W

38.AB017799  
GEAR:REVERSE:C  
OUPLING

16.AA043339  
TIMING BELT:PAP  
ER EXIT:40S2M122



36.AB017797  
GEAR:PAPER EXIT  
UNIT:NO.3

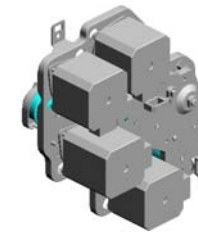
8.08050089  
RETAINING RING -  
M4

35.AB017796  
GEAR:PAPER EXIT  
UNIT:NO.2

10.11050508  
HARNESS CLAMP -  
LWS-0711

U001	U002	U003	U004	U005	U006	U007	U008	U009	U010	U011	U012	U013	U014	U015	U016	U017	U018
------	------	------	------	------	------	------	------	------	------	------	------	------	------	------	------	------	------

U016\_S005  
DRIVE UNIT:PAPER FEED



57.M0261180  
DRIVE UNIT:PAPE  
R FEED

28.AB017788 (x2)  
GEAR:TRANSPOR  
T  
29.AB017789  
GEAR:REGISTRATI  
ON:COUPLING  
61.M0261192 (x2)  
JOINT:PAPER FEE  
D:DRIVE  
63.M0261194  
SHAFT:TRANSPOR  
T:DRIVE  
19.AA082101 (x4)  
BUSHING - 6X10X6

60.M0261190  
(x2)  
DC STEPPER MOT  
OR:REGIST:1.34W

17.AA043601  
(x2)  
TIMING BELT - B40  
S2M118

30.AB017790  
GEAR:DUPLEX:DRIVE

47.B2382676  
TENSION SPRING

18.AA043613  
(x2)  
TIMING BELT - 40S  
3M177

59.M0261189  
DC STEPPER MOT  
OR:TRANSPORT:1.  
56W

2.04513006N  
(x25)  
TAPPING SCREW -  
3X6

58.M0261188  
DC STEPPER MOT  
OR:PAPER FEED:0  
.94W

22.AB011258  
(x2)  
GEAR - 38Z

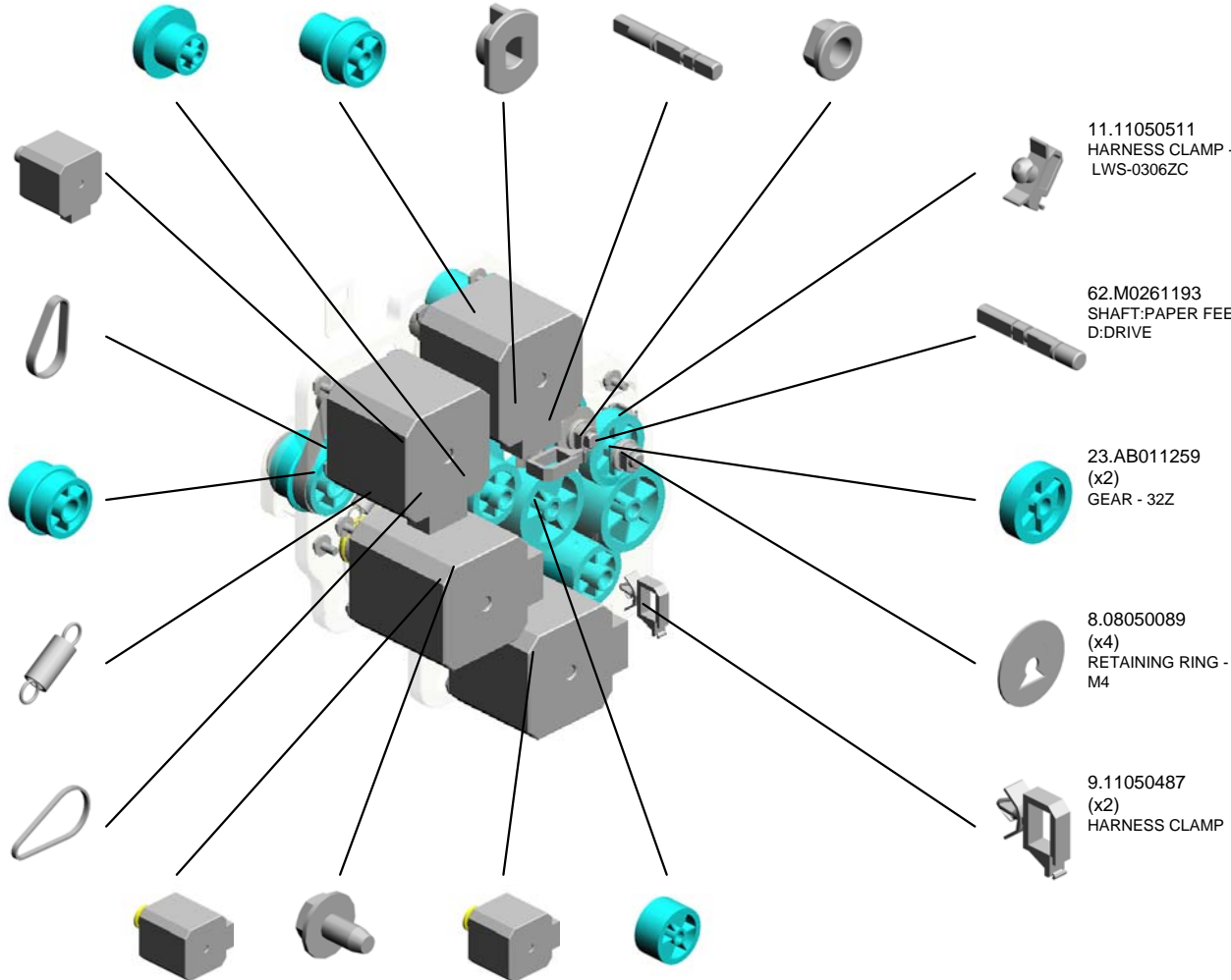
11.11050511  
HARNESS CLAMP -  
LWS-0306ZC

62.M0261193  
SHAFT:PAPER FEE  
D:DRIVE

23.AB011259  
(x2)  
GEAR - 32Z

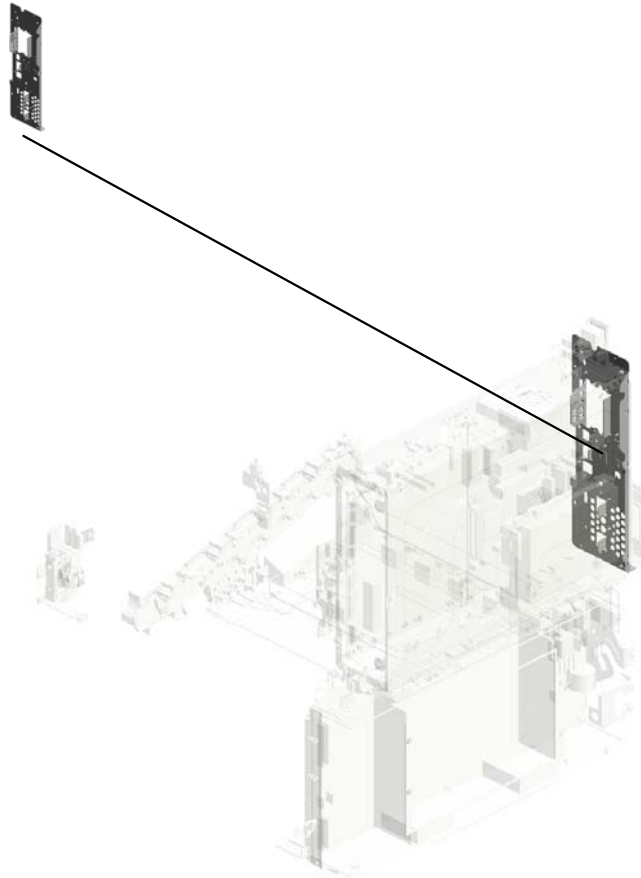
8.08050089  
(x4)  
RETAINING RING -  
M4

9.11050487  
(x2)  
HARNESS CLAMP



# U017.ELECTRICAL

U017\_S001  
M0265652  
PANEL:CTL



U001	U002	U003	U004	U005	U006	U007	U008	U009	U010	U011	U012	U013	U014	U015	U016	U017	U018
------	------	------	------	------	------	------	------	------	------	------	------	------	------	------	------	------	------

# U017 ELECTRICAL

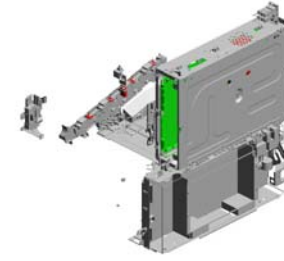
20.GA003030  
DECAL - SHIELDIN  
G PLATE Y

10.AW500023  
PUSH SWITCH

9.AW140012  
TEMPERATURE &  
HUMIDITY SENSO  
R

11.AX640197  
FAN:MM60:DC 0.6  
W

5.12042868  
SWITCH:RS51-AA1  
1



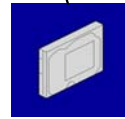
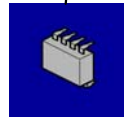
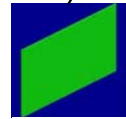
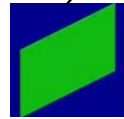
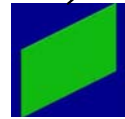
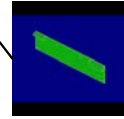
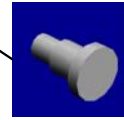
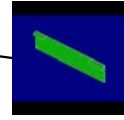
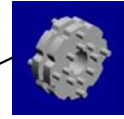
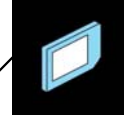
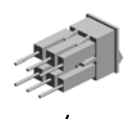
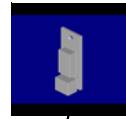
4.12042521  
(x2)  
MICRO SWITCH

3.08050092  
(x5)  
RETAINING RING -  
3M

1.03603025N  
SCREW:M3X25

2.04513006N  
(x3)  
TAPPING SCREW -  
3X6

16.D0395846  
(x2)  
SPRING:SAFETY S  
WITCH:FRONT



13.AZ320201  
POWER PACK:CB

14.AZ320206  
POWER PACK:T1T  
2

12.AZ240153  
POWER SUPPLY U  
NIT:100-127V:395W

6.14077153  
EEPROM:AT24C64  
C-PU:64K

15.D0295792  
HDD:WD:160GB:63  
N9A0

17.D0895795  
SD-CARD:Z-V4:EX  
P:ASSY

8.AA161167  
(x4)  
BUSHING:HDD

18.G1786062  
PWB:DDR2-DIMM:  
RAWCARD-C

7.AA143499  
(x4)  
STEPPED SCREW

19.G1786072  
PCB:PC4200:RAW  
CARD-A:1GB:ASS  
Y



# U017 ELECTRICAL

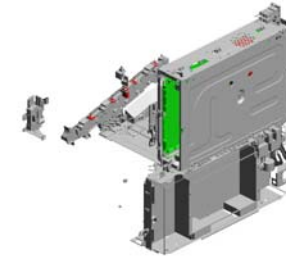
23.GA003033  
DECAL - SHIELDIN  
G PLATE K

33.M0265660  
BRACKET:FAN

38.M0265782  
CABLE:HDD:S-ATA  
:POWER:120

32.M0265659  
PANEL:SD

39.M0265816  
BRACKET:MAIN S  
WITCH



22.GA003032  
DECAL - SHIELDIN  
G PLATE C



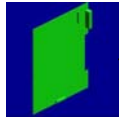
21.GA003031  
DECAL - SHIELDIN  
G PLATE M



42.M0265831  
COVER:HARNES  
S POWER PACK



26.M0265124  
PCB:IPU



24.M0261186  
GUIDE:HARNES



41.M0265828  
GUARD:HARNES  
S BCU



25.M0265101  
PCB:BCU:ASSY



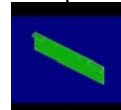
35.M0265663  
(x2)  
GROUND PLATE:H  
DD



40.M0265819  
COVER:POWER S  
UPPLY UNIT:HEAT  
ER



27.M0265194  
PCB:SDB



28.M0265272  
CABLE:HDD:SATA:  
RED135



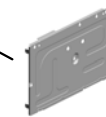
36.M0265712  
SERVICE PARTS:P  
CB:EX2:M028:ASS'  
Y



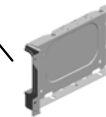
37.M0265713  
SERVICE PARTS:P  
CB:EX2:M024:ASS'  
Y



29.M0265636  
COVER:RACK

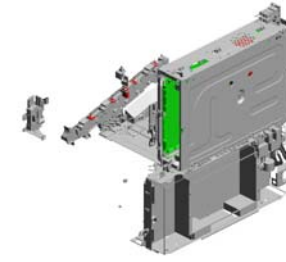


34.M0265662  
BRACKET:HDD



# U017 ELECTRICAL

51.M0265876 LEVER:SAFETY SWITCH:NO.1  
 47.M0265870 ARM:SAFETY SWITCH:NO.2  
 45.M0265866 BRACKET:SAFETY SWITCH:MAIN  
 50.M0265875 SHAFT:SAFETY SWITCH:NO.5  
 54.M0265879 LEVER:SAFETY SWITCH:NO.4



46.M0265868 ARM:SAFETY SWITCH:NO.1

53.M0265878 LEVER:SAFETY SWITCH:NO.3

48.M0265871 (x2) SHAFT:SAFETY SWITCH:NO.1

52.M0265877 LEVER:SAFETY SWITCH:NO.2

49.M0265874 SHAFT:SAFETY SWITCH:NO.4

62.M0265889 WIRE:HIGHPRESSURE:DEVELOPMENT:K

56.M0265882 (x4) TERMINAL:DEVELOPMENT

61.M0265888 TERMINAL:POWER PACK

60.M0265887 (x5) TERMINAL:TRANSFER UNIT

57.M0265883 HOLDER:TERMINAL:DEVELOPMENT

44.M0265857 (x2) PANEL:INTERFACE:HE-71

43.M0265847 BRACKET:PUSH SWITCH

59.M0265886 (x4) SPRING PLATE:DEVELOPMENT

58.M0265884 (x4) SPRING PLATE:CHARGE

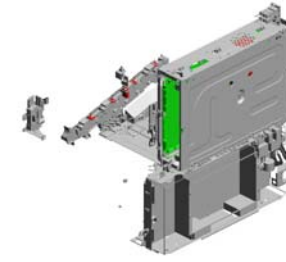
55.M0265881 INSULATING SHEET:POWER PACK

# U017 ELECTRICAL

63.M0265891  
WIRE:HIGH VOLTA  
GE:DEVELOPMEN  
T:C

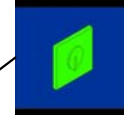
66.M0265894  
INNER COVER:TE  
RMINAL

64.M0265892  
WIRE:HIGH VOLTA  
GE:DEVELOPMEN  
T:M



67.M0265895  
(x4)  
PLATE:SPRING PL  
ATE:DEVELOPMEN  
T

69.M0265897  
(x4)  
PLATE:SPRING PL  
ATE:CHARGE



70.M0269590  
NV-RAM

65.M0265893  
WIRE:HIGH VOLTA  
GE:DEVELOPMEN  
T:Y

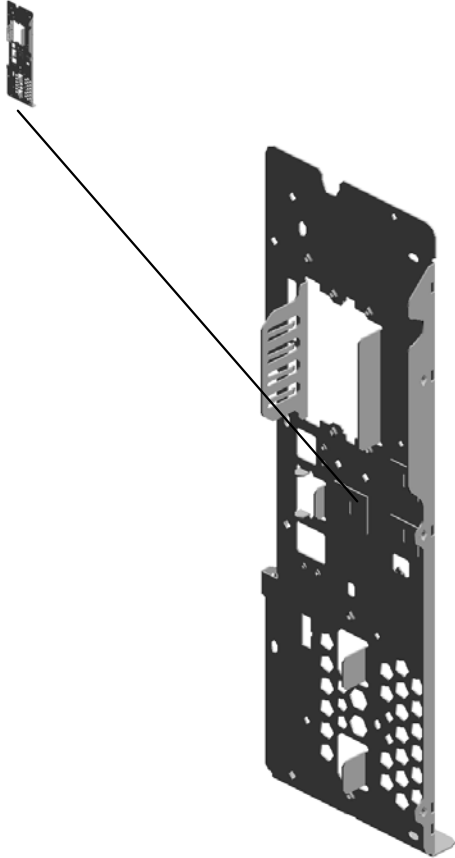
71.M0281168  
COVER:DRIVE UNI  
T:SYNCHRONOUS  
BELT

68.M0265896  
INNER COVER:GU  
ARD:HARNESS

U001	U002	U003	U004	U005	U006	U007	U008	U009	U010	U011	U012	U013	U014	U015	U016	U017	U018
------	------	------	------	------	------	------	------	------	------	------	------	------	------	------	------	------	------

U017\_S001  
PANEL:CTL

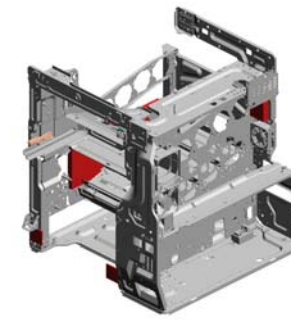
31.M0265655  
PANEL:CTL



30.M0265652  
PANEL:CTL

U001	U002	U003	U004	U005	U006	U007	U008	U009	U010	U011	U012	U013	U014	U015	U016	U017	U018
------	------	------	------	------	------	------	------	------	------	------	------	------	------	------	------	------	------

# U018 MAIN FRAME



- 10.AB017800 GEAR:DRIVE UNIT: TRAY:COUPLING
- 18.M0261067 LEVER:LOCK:FUSI NG UNIT:FRONT
- 20.M0261117 LEVER:GUIDE PLA TE:UPPER
- 6.04543008Q (x14) TAPPING SCREW: 3X8
- 3.04513006N (x83) TAPPING SCREW - 3X6

9.AA143584 STEPPED SCREW: M3X2

8.08025320 HEXAGON HEAD T APPING SCREW:E S:3X10

19.M0261069 LEVER:LOCK:FUSI NG UNIT:REAR

17.M0261063 GUIDE PLATE:FUSI NG:REAR

14.B2591106 FAN MOTOR:MM80 :DC24V 3.6W

5.04543006Q (x55) TAPPING SCREW - M3X6

15.G0201332 (x2) HINGE - FRONT C OVER

7.04543020Q (x2) TAPPING SCREW:: 3X20

13.AX640206 FAN MOTOR:DC 1. 44W

11.AX640194 (x4) FAN MOTOR - DC 2 .16W

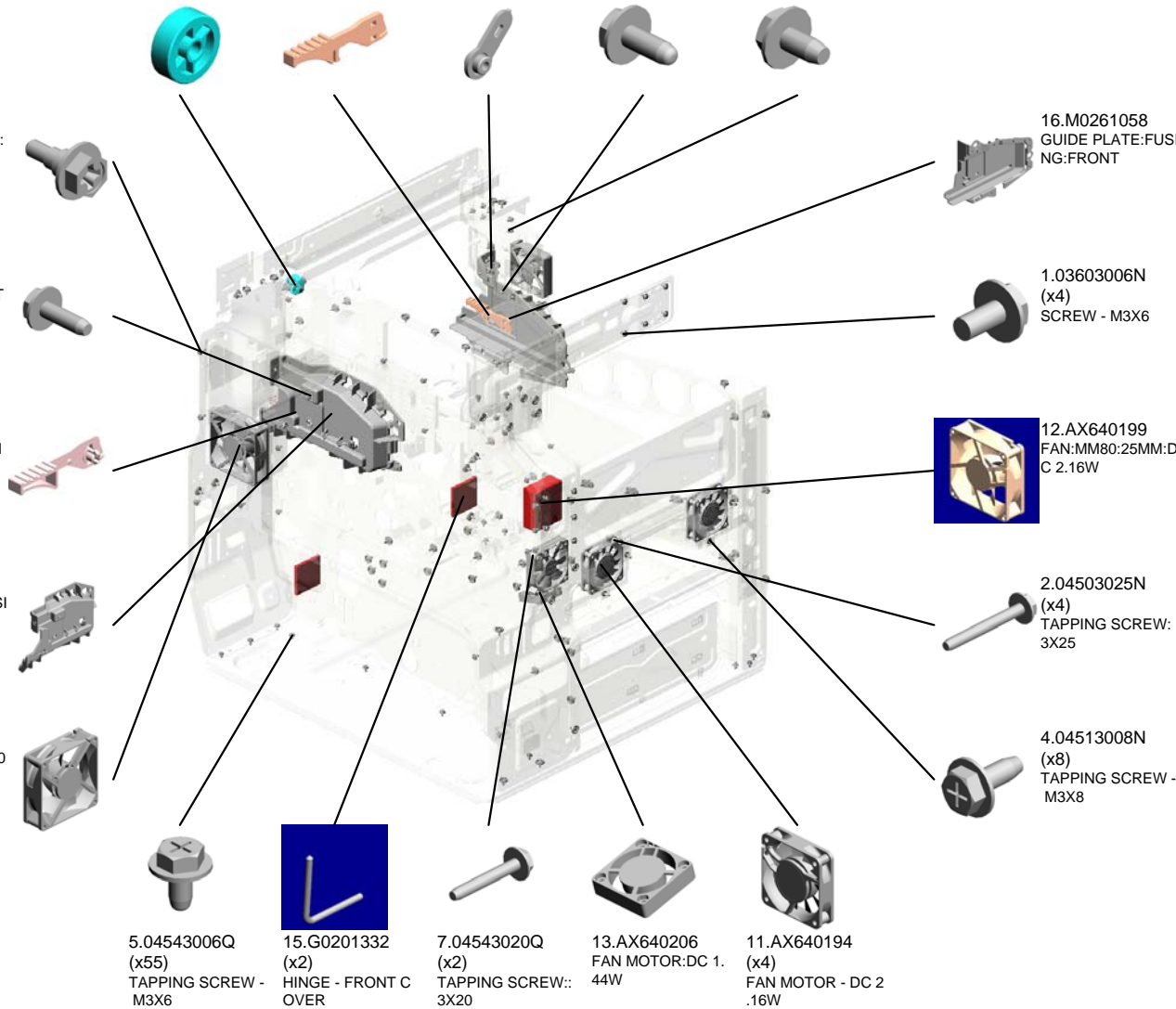
16.M0261058 GUIDE PLATE:FUSI NG:FRONT

1.03603006N (x4) SCREW - M3X6

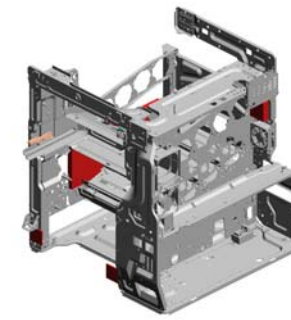
12.AX640199 FAN:MM80:25MM:D C 2.16W

2.04503025N (x4) TAPPING SCREW: 3X25

4.04513008N (x8) TAPPING SCREW - M3X8



# U018 MAIN FRAME



- 25.M0261351 DUCT:FUSING:UPPER
- 36.M0281196 COVER:GEAR:REVERSE SUB-UNIT
- 28.M0261354 SHEET:DAMPING INSULATION:DUCT:LOWER
- 32.M0261366 DUCT:PAPER EXIT UNIT:FRONT
- 21.M0261118 LEVER:GUIDE PLATE:LEFT

27.M0261353 SHEET:DAMPING INSULATION:DUCT:UPPER

26.M0261352 DUCT:FUSING:LOWER

33.M0261371 DUCT:DRIVE UNIT

22.M0261302 DRUM STAY:FRAME:ASSY

29.M0261356 DUCT:DEVELOPMENT UNIT:FRONT

31.M0261358 (x2) GUARD:FAN:DEVELOPMENT UNIT

23.M0261330 HINGE:LEFT

24.M0261331 HINGE:RIGHT

30.M0261357 DUCT:DEVELOPMENT UNIT:REAR

34.M0262450 (x4) RAIL:PCU:ASSY

35.M0262455 GUIDE:PCU

# ACCESSORIES



1.11500433  
POWER SUPPLY CODE:125V:15A:NA



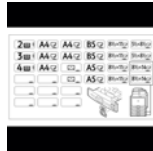
2.M0262692  
DECAL:TRAY:MANUAL FEED:INKJET



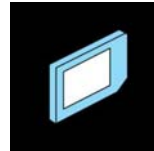
3.M0262727  
HEAT SINK:HEATER:NA



4.M0262935  
DECAL:PAPER SET DIRECTION:RIG  
HT



5.M0262939  
DECAL:PAPER TRAY:SIZE INDICATI  
ON



6.M0265736  
SD-CARD:VM/CALYPSO



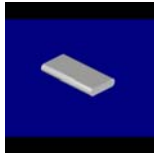
7.M0265737  
SD-CARD:VM/CALYPSO



8.M0266884  
DECAL:MAIN SWITCH:ON-STANDBY:  
NA



9.M0266890  
DECAL:CAUTION:ORIGINAL:ENGLIS  
H



10.M0521563  
GASKET:BRACKET:REAR:SMALL



11.M3646011  
DECAL:CAUTION:ORIGINAL:NA



12.M3661323  
HOLDER:SAFETY SWITCH

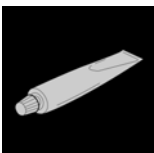
# SPECIAL TOOLS



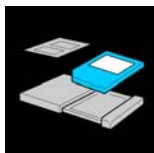
1.52039502  
Silicon Grease G-501



2.A1849501  
OPTICS ADJUSTMENT TOOL (2pcs/s  
et)



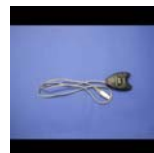
3.A2579300  
Grease Barrierta - S552R



4.B6455010  
SD Card



5.B6456705  
PCMCIA Card Adapter



6.B6456820  
USB Reader/Writer



7.B6795100  
Plug - IEEE1284 Type C



8.C4019503  
20X Magnification Scope



9.D0159500  
G104 YELLOW TONER



10.G0219350  
Loop-back Connector - Parallel



11.VSSM9000  
Digital Multimeter - FLUKE87

# DECALS AND DOCUMENTS



1.AA001527  
PLATE:LOGOTYPE:GES



2.AA001531  
PLATE:LOGO:LAN



3.AA001532  
PLATE:LOGO:RIC



4.GA001067  
PLATE:LOGOTYPE:SVN



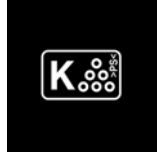
5.GA003030  
DECAL - SHIELDING PLATE Y



6.GA003031  
DECAL - SHIELDING PLATE M



7.GA003032  
DECAL - SHIELDING PLATE C



8.GA003033  
DECAL - SHIELDING PLATE K



9.M0246801  
Decal:Model Name:M024:RIC



10.M0246802  
Decal:Model Name:M024:SVN



11.M0246803  
Decal:Model Name:M024:GES:NA



12.M0246804  
Decal:Model Name:M024:LAN:NA



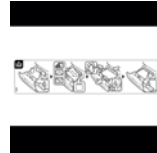
13.M0262691  
DECAL:SCALE:MANUAL FEED



14.M0262692  
DECAL:TRAY:MANUAL FEED:INKJET



15.M0262935  
DECAL:PAPER SET DIRECTION:RIGHT



16.M0262936  
DECAL:PAPER SET DIRECTION:TRAY:LEFT



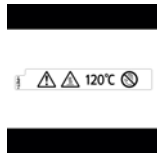
17.M0262938  
DECAL:COVER:PAPER TRAY



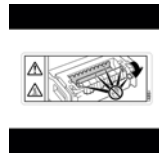
18.M0262939  
DECAL:PAPER TRAY:SIZE INDICATOR



19.M0262993  
DECAL:SIDE FENCE:MANUAL FEED



20.M0264296  
DECAL:H-TEMP WARNING:FUSING:1



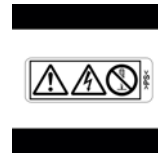
21.M0264298  
DECAL:H-TEMP WARNING:FUSING:3



22.M0264299  
DECAL:H-TEMP WARNING:FUSING:2



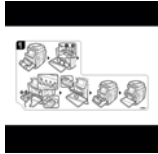
23.M0264686  
DECAL:TRANSFER:HOLDER



24.M0266365  
DECAL:WARNING (HIGH VOLTAGE)



## DECALS AND DOCUMENTS



25.M0266850  
DECAL:CLEANING:SHIELD GLASS



26.M0266880  
DECAL:COLORED DISPLAY:INNER COVER:C



27.M0266881  
DECAL:COLORED DISPLAY:INNER COVER:M



28.M0266882  
DECAL:COLORED DISPLAY:INNER COVER:Y



29.M0266883  
DECAL:COLORED DISPLAY:INNER COVER:BK



30.M0266884  
DECAL:MAIN SWITCH:ON-STANDBY:NA



31.M0266890  
DECAL:CAUTION:ORIGINAL:ENGLISH



32.M0286801  
Decal:Model Name:M028:RICOH



33.M0286802  
Decal:Model Name:M028:SVN



34.M0286803  
Decal:Model Name:M028:GES:NA



35.M0286804  
Decal:Model Name:M028:LAN:NA



36.M3646011  
DECAL:CAUTION:ORIGINAL:NA



37.M3646021  
DECAL:ORIGINAL TABLE



38.M3646031  
DECAL:ORIGINAL SCALE:INNER BACK



39.M3646032  
DECAL:ORIGINAL SCALE:FRONT



40.M3646041  
DECAL:SIDE FENCE



41.M3646051  
DECAL:LEVER:KNOB



42.M3666811  
DECAL:STAPLER:CAUTION

## Exclusive Parts

Number	Part Name	Group	ID
52039502	Silicon Grease G-501	SPECIAL TOOLS	1
52062686	SNAP RING	U006	11
		U006_S001	11
		U007_S003	3
52152621	SNAP RING - M6	U013	11
54421924	EXPOSURE GLASS CUSHION	U004	5
54472681	SNAP RING	U013	12
A1849501	OPTICS ADJUSTMENT TOOL (2pcs /set)	SPECIAL TOOLS	2
A2222724	EXTERNAL CIRCLIP - MM8	U003	15
A2579300	Grease Barrierta - S552R	SPECIAL TOOLS	3
A2596754	BUSHING - 6 6MM	U013	13
A2672857	SPRING PLATE - SIDE FENCE	U006_S002_S002	12
A2672859	SIDE FENCE STOPPER	U006_S002_S002	13
A2672860	REAR LEVER STOPPER	U006_S002_S002	14
A3344678	RACK SHIELD MYLAR	U003_S003	16
A6812742	DRIVEN EXIT ROLLER	U015	21
A6814515	BUSHING - 6MM	U015	22
A8584181	TIMING BELT - 2XL	U015	23
AA001527	PLATE:LOGOTYPE:GES	DECALS AND DOCUMENTS	1
AA001531	PLATE:LOGO:LAN	DECALS AND DOCUMENTS	2
AA001532	PLATE:LOGO:RIC	DECALS AND DOCUMENTS	3
AA010121	FILTER:IMAGE FORMING MD	U001	3
AA010122	FILTER:REAR	U001	4
AA043318	TIMING BELT - 40S3M144	U015	24
AA043319	TIMING BELT - 40S2M156	U003	17
AA043337	TIMING BELT:40S3M168	U015	25
AA043338	TIMING BELT:DRIVE UNIT:50S3M351	U016_S003	15
AA043339	TIMING BELT:PAPER EXIT:40S2M122	U016_S004	16
AA043601	TIMING BELT - B40S2M118	U016_S005	17
AA043603	TIMING BELT:B40S2M128	U003	18
AA043613	TIMING BELT - 40S3M177	U016_S005	18
AA043660	TIMING BELT:40S2M172	U015	26

Number	Part Name	Group	ID
AA060691	TENSION SPRING	U006_S001	15
AA060979	TENSION SPRING:TENSION:14720 MN	U004	6
AA060980	TENSION SPRING:TENSION:11300 MN	U004	7
AA060989	SPRING:FUSING EXIT:PRESSURE	U012_S001	12
AA061035	COIL SPRING:PRESSURE:55N	U012_S001	13
AA063460	COMPRESSION SPRING:OIL SUPPLY ROLLER	U012_S001	14
AA063461	COMPRESSION SPRING:BELT TENSIONER	U012_S001	15
AA063529	PRESSURE SPRING - 14.5MM	U015	27
AA082075	BUSHING - M6	U006	16
		U013	14
AA082101	BUSHING - 6X10X6	U003	19
		U006_S001_S002	17
		U009_S001	1
		U013	15
		U014	4
		U015	28
		U016	19
		U016_S001	19
		U016_S005	19
AA082102	BUSHING - 6X10X6	U013	16
AA082143	BUSHING - 6X10X6	U006_S001	18
AA082144	BUSHING - 8X12X7	U004	8
AA082150	PLAIN SHAFT BEARING:M6	U006_S001	19
AA083014	ONE-WAY CLUTCH	U013	17
AA100014	RETAINING RING C - SEPARATE	U006_S001	20
AA132169	SPACER - 5.7X16X1.5	U015	29
AA132207	SPACER - M7	U010	5
AA132208	SPACER - M6	U003	20
AA132225	SPACER:DIA10XDIA15X1	U003_S003	21
AA143499	STEPPED SCREW	U017	7
AA143584	STEPPED SCREW:M3X2	U001	5
		U018	9
AA143593	SCREW:M4X4	U012_S001	16
AA143788	PIN:GUIDE PLATE:PAPER FEED	U003	22

## Exclusive Parts

Number	Part Name	Group	ID
AA143790	SCREW:CONTACT POINT	U015	30
AA143792	SCREW:DRAWER	U012_S001	17
AA143867	SCREW:DIA4:M3	U012_S001	18
AA145294	PARALLEL PIN - 2X12MM	U016	20
AA161163	CUSHION	U006	21
AA161167	BUSHING:HDD	U017	8
AB010156	GEAR:SEPARATE:DRIVE	U006_S001	22
AB010157	GEAR:SEPARATE:DRIVEN	U006_S001	23
AB010390	GEAR:DRIVE:ON-OFF:SECOND	U016	21
AB011218	GEAR - ROLLER CLUTCH	U006_S001	24
AB011252	GEAR - 20Z	U006_S001	25
		U013	18
AB011258	GEAR - 38Z	U016_S005	22
AB011259	GEAR - 32Z	U016_S005	23
AB011416	GEAR - 20Z	U013	19
AB012063	GEAR:IDLER:FUSING UNIT:Z31	U012_S001	19
AB012064	GEAR:IDLER:Z23	U012_S001	20
AB012065	GEAR:PRESSURE ROLLER:Z27	U012_S001	21
AB012066	GEAR:HOT ROLLER:MECHANICAL ROLLER CLUTCH:Z25	U012_S001	22
AB017784	GEAR:ON-OFF:TRANSFER:NO.1	U016_S001	24
AB017785	GEAR:ON-OFF:TRANSFER:NO.2	U016_S001	25
AB017786	GEAR:SLOW DOWN:ON-OFF:SECOND	U016	26
AB017787	GEAR:IDLER:ON-OFF:SECOND	U016	27
AB017788	GEAR:TRANSPORT	U016_S005	28
AB017789	GEAR:REGISTRATION:COUPLING	U016_S005	29
AB017790	GEAR:DUPLEX:DRIVE	U016_S005	30
AB017792	GEAR:DRIVE UNIT:FUSING:NO.2	U016_S003	31
AB017793	GEAR:DRIVE UNIT:FUSING:NO.3	U016_S003	32
AB017794	GEAR:DRIVE UNIT:FUSING:NO.4	U016_S003	33
AB017795	GEAR:DRIVE UNIT:PAPER EXIT:NO.1	U016	34
AB017796	GEAR:PAPER EXIT UNIT:NO.2	U016_S004	35
AB017797	GEAR:PAPER EXIT UNIT:NO.3	U016_S004	36
AB017798	GEAR:PAPER EXIT UNIT:NO.4	U016_S004	37
AB017799	GEAR:REVERSE:COUPLING	U016_S004	38
AB017800	GEAR:DRIVE UNIT:TRAY:COUPLING	U018	10

Number	Part Name	Group	ID
	G		
AB017816	GEAR:DRIVE UNIT:FUSING:NO.1	U016_S003	39
AB030828	PULLEY:DRIVE UNIT:FUSING:TIGHTENER	U016_S003	40
AC012069	EXPOSURE GLASS	U004	9
AC030177	MIRROR:NO.1	U004_S001	10
AC030178	MIRROR:NO.2	U004_S002	11
AE010076	HOT ROLLER	U012_S001	23
AE012037	HEAT ROLLER	U012_S001	24
AE020179	PRESSURE ROLLER	U012_S001	25
AE030066	BALL BEARING:MM25XMM32X7	U012_S001	26
AE030069	BALL BEARING:DIA12XDIA21X7	U012_S001	27
AE030074	BALL BEARING:DIA17XDIA26X5	U012_S001	28
AE031045	BUSHING - BELT TENSION ROLLER	U012_S001	29
AE031061	FRONT BUSHING - OIL SUPPLY ROLLER	U012_S001	30
AE031062	REAR BUSHING - OIL SUPPLY ROLLER	U012_S001	31
AE032030	BUSHING - 20X25	U012_S001	32
AE040074	OIL SUPPLY ROLLER:DIA18	U012_S001	33
AE040075	ROLLER:BELT TENSIONER	U012_S001	34
AE042087	CLEANING ROLLER:OIL SUPPLY ROLLER	U012_S001	35
AF013006	BOTTOM PLATE PAD	U006_S002_S003	26
AF022147	DRIVEN ROLLER	U015	31
AF030049	PICK-UP ROLLER	U013	20
AF030090	PAPER FEED ROLLER:PICKUP	U006_S001	27
AF030363	PICKUP ROLLER	U003	23
AF031046	FEED ROLLER - MANUAL FEED	U013	21
AF031090	PAPER FEED ROLLER:FEED	U006_S001	28
AF032046	SEPARATION ROLLER - MANUAL FEED	U013	22
AF032090	PAPER FEED ROLLER:SEPARATE	U006_S001	29
AF040571	GUIDE ROLLER	U006	30
AG070516	MAGNET CATCH:18N:ASS'Y	U013	23
AJ011025	STAPLER:EH-C590R	U015	32
AW010107	PAPER FEED SENSOR	U006	31

## Exclusive Parts

Number	Part Name	Group	ID
		U006_S001	31
		U013	24
AW010109	PHOTO REFLECTION SENSOR:PS1 17ED1	U015	33
AW010118	PAPER FEED SENSOR	U010	6
AW010127	PAPER FEED SENSOR	U014	5
AW010146	PHOTO REFLECTION SENSOR:PA PER FEED	U006_S001	32
AW020114	PHOTO INTERRUPTOR - LOWER L IMIT	U015	34
AW020141	PHOTOINTERRUPTOR	U003	24
		U015	35
AW020145	PHOTOINTERRUPTOR:FLAT	U004	12
		U006_S001	33
		U011	2
		U013	25
AW020154	PHOTOINTERRUPTOR:ENTRANCE	U015	36
AW100105	THERMISTOR:FUSING	U012_S001	36
AW100106	THERMOPILE	U012	37
AW100129	THERMISTOR:PRESSURE	U012_S001	38
AW110090	THERMOSTAT:WELDING	U012_S001	39
AW110093	THERMOSTAT:WELDING	U012_S001	40
AW140012	TEMPERATURE & HUMIDITY SEN SOR	U017	9
AW500023	PUSH SWITCH	U011	3
		U013	26
		U017	10
AW500031	PAPER SIZE SENSOR	U013_S001	27
AW500035	PAPER END SENSOR	U013	28
AW500038	PUSH SWITCH:PAPER SIZE SENS OR	U006	34
AX040154	DC MOTOR 24V	U006	35
AX040241	DC MOTOR:DIA35:3.1W	U015	37
AX060385	DC BRUSHLESS MOTOR:FUSING/ EXIT:19.5W	U016_S003	41
AX060387	DC BRUSHLESS MOTOR:DEV:COL OR:40W	U016_S001	42
AX060388	DC BRUSHLESS MOTOR:DRUM:C	U016_S001	43

Number	Part Name	Group	ID
	OLOR:25W		
AX060389	DC BRUSHLESS MOTOR:DRUM:B K:31W	U016_S001	44
AX200319	MAGNETIC CLUTCH:DEVELOPME NT	U016_S001	45
AX210103	MAGNETIC CLUTCH:0.25N	U003	25
AX440311	HEATER:120V:550W/450W	U012_S001	41
AX440312	HEATER:120V:300W	U012_S001	42
AX640170	FAN MOTOR - MM60 DC24V	U003	26
AX640194	FAN MOTOR - DC 2.16W	U018	11
AX640197	FAN:MM60:DC 0.6W	U017	11
AX640199	FAN:MM80:25MM:DC 2.16W	U018	12
AX640206	FAN MOTOR:DC 1.44W	U018	13
AZ240153	POWER SUPPLY UNIT:100-127V:3 95W	U017	12
AZ300131	POWER PACK:D	U013	29
AZ320201	POWER PACK:CB	U017	13
AZ320206	POWER PACK:T1T2	U017	14
B0042310	SPUR	U010	7
B0042923	SPRING PLATE - RELEASE LEVER	U006_S002_S001	36
B1541826	COVER:SENSOR:AKS	U004	13
B1801704	BRACKET:TENSION	U004	14
B2231144	HOLDER:POSITIONING SENSOR	U016_S001	46
B2232608	GEAR:Z16	U013	30
B2232676	SPRING - 11N	U013	31
B2232689	GEAR:Z28	U013	32
B2232730	PAPER TRAY STOPPER ASS'Y	U006	37
B2232767	PAPER END FEELER	U006_S001	38
B2232829	FEED GUIDE	U006_S001	39
B2232861	GRIP HOLDER	U006_S002	40
B2232869	GROUND PLATE	U006_S002	41
B2232923	STOPPER LEVER - FRONT	U006_S002_S001	42
B2232936	GEAR - 16Z	U006_S002	43
B2234428	ROLLER:GUIDE:PFA	U013	33
B2234433	ROLLER - DIA16	U013	34
B2234464	TIMING PULLEY:23T	U013	35
B2234494	STOPPER- UPPERGATE PAWL	U013	36
		U014	6

## Exclusive Parts

Number	Part Name	Group	ID
B2234536	TIMING BELT:30S2M234	U013	37
B2381534	LCD SPACER A	U002_S001	3
B2381535	LCD SPACER B	U002_S001	4
B2381715	STEPPER MOTOR DC3.9V	U004	15
B2381792	TIMING BELT - 157ST1.5-4.0	U004	16
B2381806	IDLER PULLEY	U004	17
B2381807	PULLEY	U004_S002	18
B2382655	GEAR - 16Z	U006	44
B2382675	REGISTRATION ROLLER BUSHING	U006	45
B2382676	TENSION SPRING	U016_S005	47
B2384197	LEVER:LOCK:PRESSURE	U012_S001	43
B2384365	LENS HOLDER	U012	44
B2384366	LENS COVER	U012	45
B2591106	FAN MOTOR:MM80:DC24V 3.6W	U018	14
B2591367	COVER MAGNET	U001	6
		U001_S001	6
B3901759	SHAFT:SCALE	U004	19
B4082175	BUSHING - ROLLER SLIDE	U015	38
B4783569	SPACER	U015	39
B6455010	SD Card	SPECIAL TOOLS	4
B6456705	PCMCIA Card Adapter	SPECIAL TOOLS	5
B6456820	USB Reader/Writer	SPECIAL TOOLS	6
B6795100	Plug - IEEE1284 Type C	SPECIAL TOOLS	7
B7003125	TIMING BELT:B40S2M232	U003	27
B7003535	TIMING BELT:B40S2M116	U015	40
B7893716	TENSION SPRING - GATE PAWL	U003	28
B7894257	PULLEY FLANGE	U003	29
B7894332	PULLEY - 34T	U003	30
B8332567	TENSION SPRING	U016_S003	48
B8722529	COLLAR:PICKUP	U003	31
C4019503	20X Magnification Scope	SPECIAL TOOLS	8
D0094485	BUSHING - GATE	U013	38
D0159500	G104 YELLOW TONER	SPECIAL TOOLS	9
D0291484	TOUCH PANEL:WVGA:FU-ACF	U002_S001	5
D0291745	PULLEY:DRIVE WERE:FRONT	U004	20
D0291748	PULLEY:DRIVE WERE:REAR:ASSY	U004	21

Number	Part Name	Group	ID
D0291749	PULLEY:PROTECTION	U004	22
D0294478	TENSION SPRING:RELEASE:DC S OLENOID	U015	41
D0295792	HDD:WD:160GB:63N9A0	U017	15
D0391253	BAND:COVER:FRONT	U001	7
D0391254	SPRING PLATE:BAND	U001	8
D0391259	SHAFT:COVER:FRONT	U001	9
D0391751	HOLDER:EXPOSURE GLASS	U004	23
D0392752	DISC:SIDE FENCE	U013_S001	39
D0392823	COMPRESSION SPRING:SIDE FEN CE:PLATE:FRONT	U006_S002_S001	46
D0394539	GUIDE PLATE:GUIDE PLATE:ROLL ER:DRIVEN	U013	40
D0395846	SPRING:SAFETY SWITCH:FRONT	U017	16
D0895795	SD-CARD:Z-V4:EXP:ASS'Y	U017	17
D3664242	TORQUE LIMITER - 24T	U003	32
D3722122	SHAFT - REVERSE ROLLER	U015	42
D3724163	TIMING PULLEY - 18T	U015	43
G0201332	HINGE - FRONT COVER	U018	15
G0219350	Loop-back Connector - Parallel	SPECIAL TOOLS	10
G0602652	BUSHING - M4	U013	41
G0652767	LEVER - FEED	U006_S001	47
G0802900	TORQUE LIMITER	U013	42
G1024203	ROLLER:LEVER:PRESSURE	U012_S001	46
G1024661	COVER:FUSING:ENTRANCE SENS OR	U010	8
G1026292	LEVER:PRESSURE:TRANSFER UN IT	U010	9
G1026293	SPRING:TRANSFER UNIT:LEFT	U010	10
G1026334	TENSION SPRING:CLEANER:DEN SITY SENSOR	U010	11
G1026335	COVER:DENSITY SENSOR	U010	12
G1026341	SHEET:SENSOR	U010	13
G1786062	PWB:DDR2-DIMM:RAWCARD-C	U017	18
G1786072	PCB:PC4200:RAWCARD-A:1GB:AS S'Y	U017	19
G4042810	SPRING PLATE - 2ND MIRROR	U004_S002	24
G5701133	TIMING PULLEY 73	U004	25

## Exclusive Parts

Number	Part Name	Group	ID
G5701225	SENSOR SHIELDING PLATE	U003	33
		U004	26
GA001067	PLATE:LOGOTYPE:SVN	DECALS AND DOCUMENTS	4
GA003030	DECAL - SHIELDING PLATE Y	DECALS AND DOCUMENTS	5
		U017	20
GA003031	DECAL - SHIELDING PLATE M	DECALS AND DOCUMENTS	6
		U017	21
GA003032	DECAL - SHIELDING PLATE C	DECALS AND DOCUMENTS	7
		U017	22
GA003033	DECAL - SHIELDING PLATE K	DECALS AND DOCUMENTS	8
		U017	23
GW010007	PHOTO REFLECTION SENSOR:EXIT	U003	34
		U015	44
GW020020	PHOTOINTERRUPTOR:LG248NL1	U016	49
		U016_S001	49
H0532208	BUSHING - M4	U013	43
H3101360	PAD:PICKUP	U003	35
M0226400	WASTE TONER BOTTLE	U011	4
M0246801	Decal:Model Name:M024:RIC	DECALS AND DOCUMENTS	9
M0246802	Decal:Model Name:M024:SVN	DECALS AND DOCUMENTS	10
M0246803	Decal:Model Name:M024:GES:NA	DECALS AND DOCUMENTS	11
M0246804	Decal:Model Name:M024:LAN:NA	DECALS AND DOCUMENTS	12
M0261033	HOLDER:CLUTCH:DEVELOPMENT	U016_S001	50
M0261049	BRACKET:ON-OFF:TRANSFER	U016_S001	51
M0261058	GUIDE PLATE:FUSING:FRONT	U018	16
M0261063	GUIDE PLATE:FUSING:REAR	U018	17
M0261067	LEVER:LOCK:FUSING UNIT:FRONT	U018	18
M0261069	LEVER:LOCK:FUSING UNIT:REAR	U018	19

Number	Part Name	Group	ID
M0261117	LEVER:GUIDE PLATE:UPPER	U018	20
M0261118	LEVER:GUIDE PLATE:LEFT	U018	21
M0261126	SHIELDING PLATE:ON-OFF:SECOND	U016	52
M0261127	CAM:ON-OFF:TRANSFER:SECOND	U016	53
M0261130	BRACKET:SENSOR:ON-OFF:SECOND	U016	54
M0261135	DRIVE UNIT:DRUM:DEVELOPMENT:TRANSFER	U016_S001	55
M0261165	DRIVE UNIT:FUSING	U016_S003	56
M0261180	DRIVE UNIT:PAPER FEED	U016_S005	57
M0261186	GUIDE:HARNESS	U017	24
M0261188	DC STEPPER MOTOR:PAPER FEED:0.94W	U016_S005	58
M0261189	DC STEPPER MOTOR:TRANSPORT:1.56W	U016_S005	59
M0261190	DC STEPPER MOTOR:REGISTER:1.34W	U016_S005	60
M0261192	JOINT:PAPER FEED:DRIVE	U016_S005	61
M0261193	SHAFT:PAPER FEED:DRIVE	U016_S005	62
M0261194	SHAFT:TRANSPORT:DRIVE	U016_S005	63
M0261250	COVER:FRONT:ASS'Y	U001	10
M0261252	BRACKET:HINGE:RIGHT	U001	11
M0261254	BRACKET:HINGE:LEFT	U001	12
M0261255	COVER:UPPER:INNER BACK:SMALL	U001	13
M0261259	CAP:DIA18	U001	14
M0261260	COVER:RIGHT:REAR	U001	15
M0261262	COVER:RIGHT:UPPER	U001	16
M0261263	BRACKET:COVER:RIGHT:UPPER	U001	17
M0261264	COVER:RIGHT FRONT:LOWER	U001	18
M0261265	CAP:TOTAL COUNTER	U001	19
M0261267	BRACKET:BAND	U001	20
M0261268	CLEANER:SHIELD GLASS	U001	21
M0261271	COVER:LEFT	U001	22
M0261272	GRIP:UPPER	U001	23
M0261274	COVER:LEFT:UPPER	U001	24
M0261275	COVER:LEFT:RACK	U001	25

## Exclusive Parts

Number	Part Name	Group	ID
M0261276	CAP:LOUVER:LEFT	U001	26
M0261280	COVER:REAR:UPPER	U001	27
M0261281	COVER:REAR:LOWER	U001	28
M0261282	CAP:LOUVER:MM80	U001	29
M0261285	INNER COVER:TONER BOTTLE	U001_S001	30
M0261289	INNER COVER:RIGHT LOWER	U001	31
M0261290	INNER COVER:LEFT UPPER	U001	32
M0261291	INNER COVER:LEFT LOWER	U001	33
M0261296	COVER:SCANNER:REAR	U001	34
M0261297	COVER:SCANNER:RIGHT	U001	35
M0261298	COVER:SCANNER:LEFT	U001	36
M0261299	COVER:SCANNER:FRONT	U001	37
M0261302	DRUM STAY:FRAME:ASS'Y	U018	22
M0261330	HINGE:LEFT	U018	23
M0261331	HINGE:RIGHT	U018	24
M0261351	DUCT:FUSING:UPPER	U018	25
M0261352	DUCT:FUSING:LOWER	U018	26
M0261353	SHEET:DAMPING INSULATION:DU CT:UPPER	U018	27
M0261354	SHEET:DAMPING INSULATION:DU CT:LOWER	U018	28
M0261356	DUCT:DEVELOPMENT UNIT:FRON T	U018	29
M0261357	DUCT:DEVELOPMENT UNIT:REAR	U018	30
M0261358	GUARD:FAN:DEVELOPMENT UNIT	U018	31
M0261366	DUCT:PAPER EXIT UNIT:FRONT	U018	32
M0261371	DUCT:DRIVE UNIT	U018	33
M0261440	OPERATION PANEL:NA:ASS'Y	U002_S001	6
M0261452	PCB:KEY:SUB:ASS'Y	U002_S001	7
M0261458	PCB:KEY:MAIN:ASS'Y	U002_S001	8
M0261482	CABLE:FFC:LCD	U002_S001	9
M0261483	CABLE:FFC:KEY:MAIN	U002_S001	10
M0261484	CABLE:FFC:KEY:SUB	U002_S001	11
M0261495	PCB:LCDC:NA:FT	U002_S001	12
M0261498	LCD:TFT:W-VGA:MV	U002_S001	13
M0261515	HINGE:ASS'Y	U002_S001	14
M0261516	COVER:HINGE:LEFT	U002_S001	15
M0261517	COVER:HINGE:RIGHT	U002_S001	16

Number	Part Name	Group	ID
M0261518	COVER:HINGE:UPPER	U002	17
M0261519	COVER:HINGE:LOWER	U002_S001	18
M0261520	COVER:HINGE:MIDDLE	U002_S001	19
M0261523	CAP:COVER:HINGE:UPPER	U002	20
M0261524	COVER:HINGE:CLAMP	U002_S001	21
M0261532	KEYTOP:START	U002_S001	22
M0261533	KEYTOP:CLEAR/STOP	U002_S001	23
M0261534	KEYTOP:RESET SWITCH	U002_S001	24
M0261536	KEYTOP:10KEY:1:NA	U002_S001	25
M0261538	KEYTOP:10KEY:2:NA	U002_S001	26
M0261541	KEYTOP:APPLICATION:NA	U002_S001	27
M0261545	KEYTOP:OTHER:NA	U002_S001	28
M0261547	COVER:REAR	U002_S001	29
M0261548	COVER:INNER	U002_S001	30
M0261553	SHEET:JOURNAL:NA	U002_S001	31
M0261555	SHEET:LCDC	U002_S001	32
M0261556	KEYTOP:BLANK	U002_S001	33
M0261700	SCALE:INNER BACK:PRINTING	U004	27
M0261705	SCALE:LEFT:NA	U004	28
M0261711	SCALE:MAIN	U004	29
M0261712	EXPOSURE GLASS:DOCUMENT F EEDER:ASS'Y	U004	30
M0261721	GUIDE:HARNESS	U004	31
M0261730	HOLDER:HINGE:LEFT	U004	32
M0261732	HOLDER:HINGE:RIGHT	U004	33
M0261733	BRACKET:HOLDER:HINGE	U004	34
M0261751	HOLDER:LENS:ASS'Y	U004	35
M0261762	SHAFT:SCANNER:DRIVE	U004	36
M0261764	DRIVE WERE:DIA1	U004	37
M0261768	BRACKET:DC STEPPER MOTOR	U004	38
M0261771	CARRIAGE:NO.2:ASS'Y	U004_S002	39
M0261778	GUIDE:FFC	U004_S002	40
M0261791	INNER COVER:SCANNER	U004	41
M0261800	CARRIAGE:NO.1:ASS'Y	U004_S001	42
M0261802	ILLUMINATION UNIT:LED-B:ASS'Y	U004_S001_S001	43
M0261805	REFLECTOR:SCANNER	U004_S001	44
		U004_S001_S001	44
M0261812	GUIDE:HARNESS:LED-B	U004_S001	45

## Exclusive Parts

Number	Part Name	Group	ID
M0261813	CLAMP:WIRE	U004_S001	46
M0261814	SHEET:GUIDE:HARNESS:LED-B	U004_S001	47
M0261815	CLAMP:MIRROR:NO.1	U004_S001	48
M0261855	IMAGING UNIT:SERVICE PARTS	U005	1
M0262010	PCDU:BK	U008_S001	5
M0262011	PCDU:C	U008_S002	6
M0262012	PCDU:M	U008_S003	7
M0262013	PCDU:Y	U008_S004	8
M0262014	PCU:BK:ASS'Y	U008_S001_S001	9
M0262015	PCU:CMY:ASS'Y	U008_S002_S001	10
		U008_S003_S001	10
		U008_S004_S001	10
M0262255	KEY:COLLAR	U008_S001	11
		U008_S002	11
		U008_S003	11
		U008_S004	11
M0262450	RAIL:PCU:ASS'Y	U018	34
M0262455	GUIDE:PCU	U018	35
M0262551	REGISTRATION ROLLER:DRIVE	U006	48
M0262552	REGISTRATION ROLLER:DRIVEN	U006	49
M0262553	GEAR:REGISTRATION:26Z	U006	50
M0262554	GEAR:REGISTRATION:DRIVEN:14Z	U006	51
M0262555	TENSION SPRING:REGISTRATION:7N	U006	52
M0262567	GUIDE PLATE:REGISTRATION:RIGHT	U006	53
M0262571	CASE:REMOVE PAPER DUST	U006	54
M0262574	ROLLER:REMOVE PAPER DUST	U006	55
M0262575	CUSHION:REMOVE PAPER DUST	U006	56
M0262577	SHEET:COVER:REMOVE PAPER DUST	U006	57
M0262581	GEAR:ROLLER:REMOVE PAPER DUST	U006	58
M0262583	COVER:REMOVE PAPER DUST:ADHESION	U006	59
M0262584	SHEET:REMOVE PAPER DUST:RIGHT	U006	60

Number	Part Name	Group	ID
M0262585	GUIDE:HARNESS:REGISTRATION	U006	61
M0262602	GEAR:FEED:Z35	U013	44
M0262603	SHAFT:FEED	U013	45
M0262604	ARM:PICKUP	U013	46
M0262606	GUIDE:SEPARATE	U013	47
M0262610	SHAFT:SEPARATOR:DRIVEN:ASS'Y	U013	48
M0262612	COIL SPRING:PRESSURE:SEPARATOR	U013	49
M0262614	SHAFT:SEPARATOR:DRIVE	U013	50
M0262616	BRACKET:DC SOLENOID	U013	51
M0262619	DC SOLENOID:PICKUP	U013	52
M0262621	COIL SPRING:PRESSURE:PICKUP	U013	53
M0262622	COIL SPRING:PRESSURE RELEASE	U013	54
M0262624	GROUND PLATE:MANUAL FEED	U013	55
M0262627	COVER:GUIDE:MANUAL FEED:UPPER	U013	56
M0262628	GUIDE:MANUAL FEED:UPPER	U013	57
M0262629	GROUND PLATE:FEED	U013	58
M0262631	PAPER STOPPER:MANUAL FEED	U013	59
M0262632	LINK:PAPER STOPPER:MANUAL FEED	U013	60
M0262633	SHAFT:PAPER STOPPER	U013	61
M0262634	SHAFT:LINK	U013	62
M0262635	TORSION SPRING:PAPER STOPPER	U013	63
M0262636	TORSION SPRING:LINK	U013	64
M0262637	COMPRESSION SPRING:COVER	U013	65
M0262640	MANUAL FEED TABLE:ASS'Y	U013_S001	66
M0262642	COVER:MANUAL FEED	U013_S001	67
M0262643	SIDE FENCE:MANUAL FEED:FRONT	U013_S001	68
M0262644	SIDE FENCE:MANUAL FEED:REAR	U013_S001	69
M0262645	RACK:MANUAL FEED	U013_S001	70
M0262646	EXTENSION TRAY	U013_S001	71
M0262647	GEAR:SIDE FENCE	U013_S001	72
M0262648	PIN:SIDE FENCE	U013_S001	73



## Exclusive Parts

Number	Part Name	Group	ID
M0262649	COMPRESSION SPRING:EXTENSION TRAY:5N	U013_S001	74
M0262651	GUIDE PLATE:VERTICAL TRANSPORT:LOWER	U013	75
M0262653	COIL SPRING:SIDE FENCE	U013_S001	76
M0262654	TENSION SPRING:SIDE FENCE:1N	U013_S001	77
M0262656	GUIDE PLATE:VERTICAL TRANSPORT:UPPER	U013	78
M0262657	SHEET:VERTICAL TRANSPORT:SENSOR	U013	79
M0262658	SHAFT:DRIVEN:VERTICAL TRANSPORT	U013	80
M0262661	STOPPER:MANUAL FEED:FRONT	U013	81
M0262662	STOPPER:MANUAL FEED:REAR	U013	82
M0262663	GEAR:DAMPER:MANUAL FEED TABLE	U013	83
M0262664	GEAR:IDLER:DAMPER:Z20/Z43	U013	84
M0262665	SHAFT:MANUAL FEED TABLE	U013	85
M0262666	COVER:MANUAL FEED:LOWER	U013	86
M0262667	COIL SPRING:COVER:MANUAL FEED	U013	87
M0262691	DECAL:SCALE:MANUAL FEED	DECALS AND DOCUMENTS	13
		U013_S001	88
M0262692	DECAL:TRAY:MANUAL FEED:INKJET	ACCESSORIES	2
		DECALS AND DOCUMENTS	14
M0262710	SUPPORTER:LEFT:ASS'Y	U006	62
M0262714	SPACER:SEPARATE	U006	63
M0262715	SUPPORTER:RIGHT:ASS'Y	U006	64
M0262719	ROLLER:SUPPORTER:LEFT:PAPER TRAY	U006	65
M0262721	BRACKET:PUSH SWITCH	U006	66
M0262722	COVER:STOPPER:PAPER TRAY	U006	67
M0262723	BRACKET:HARNESS:HEATER	U006	68
M0262726	ROLLER:SUPPORTER:RIGHT:PAPER TRAY	U006	69
M0262727	HEAT SINK:HEATER:NA	ACCESSORIES	3

Number	Part Name	Group	ID
M0262750	PAPER FEED UNIT	U006_S001	70
M0262761	ARM:PICKUP	U006_S001	71
M0262763	SHAFT:FEED	U006_S001	72
M0262765	GROUND PLATE:FEED	U006_S001	73
M0262766	ROLLER:VERTICAL TRANSPORT:DRIVE	U006_S001	74
M0262768	GEAR:ROLLER:VERTICAL TRANSPORT	U006_S001	75
M0262769	JOINT:FEED	U006_S001	76
M0262780	DC SOLENOID:PICKUP:ASS'Y	U006_S001_S001	77
M0262786	GROUND PLATE:FRONT	U006_S001	78
M0262787	LEVER:PRESSURE RELEASE	U006_S001	79
M0262803	LEVER:PRESSURE:SEPARATE	U006_S001	80
M0262804	LINK:RELEASE	U006_S001	81
M0262806	TENSION SPRING:RELEASE	U006_S001	82
M0262807	TENSION SPRING:PRESSURE:SEPARATE	U006_S001	83
M0262810	SHAFT:SEPARATE:DRIVEN:ASS'Y	U006_S001_S002	84
M0262815	SHAFT:SEPARATE:DRIVE:ASS'Y	U006_S001	85
M0262828	TORQUE LIMITER	U006_S001	86
M0262835	GUIDE PLATE:SWIVEL	U006	87
M0262848	COVER:HARNESS	U006	88
M0262860	GRIP:PAPER TRAY	U006_S002	89
M0262863	LEVER:RELEASE:PAPER TRAY	U006_S002	90
M0262865	SHAFT:RISE:ASS'Y	U006_S002	91
M0262872	TENSION SPRING:GRIP	U006_S002	92
M0262873	TENSION SPRING:GRIP:LEFT	U006_S002	93
M0262874	COMPRESSION SPRING:SIDE FENCE:PLATE:REAR	U006_S002_S001	94
M0262880	SLIDE RAIL:AUXILIARY:RIGHT:PEEN	U006_S002	95
M0262882	TENSION SPRING:SIDE FENCE	U006_S002	96
M0262884	SPACER:SLIDE RAIL	U006_S002	97
M0262885	ROLLER:SLIDER:REAR:RIGHT	U006_S002	98
M0262886	ROLLER:SLIDER:REAR:LEFT	U006_S002	99
M0262890	SLIDE RAIL:AUXILIARY:LEFT:PEEN	U006_S002	100
M0262896	ROLLER:SLIDER:FRONT	U006_S002	101

## Exclusive Parts

Number	Part Name	Group	ID
M0262900	PAPER TRAY:ASS'Y	U006_S002	102
M0262908	SPACER:TRAY	U006_S002	103
M0262910	LINK:PAPER SIZE SENSOR	U006_S002	104
M0262912	END FENCE	U006_S002	105
M0262914	ROLLER:PAPER TRAY	U006_S002	106
M0262918	LEVER:RISE	U006_S002	107
M0262920	SIDE FENCE:FRONT:ASS'Y	U006_S002_S001	108
M0262930	SIDE FENCE:REAR:ASS'Y	U006_S002_S002	109
M0262935	DECAL:PAPER SET DIRECTION:RIGHT	ACCESSORIES	4
		DECALS AND DOCUMENTS	15
M0262936	DECAL:PAPER SET DIRECTION:TRAY:LEFT	DECALS AND DOCUMENTS	16
		U006_S002	110
M0262938	DECAL:COVER:PAPER TRAY	DECALS AND DOCUMENTS	17
		U006_S002	111
M0262939	DECAL:PAPER TRAY:SIZE INDICATION	ACCESSORIES	5
		DECALS AND DOCUMENTS	18
M0262940	TRAY BOTTOM PLATE:ASS'Y	U006_S002_S003	112
M0262946	COVER:PAPER TRAY	U006_S002	113
M0262948	COVER:CONNECTOR	U006	114
M0262950	BRACKET:PAPER FEED UNIT	U006	115
M0262982	OIL DAMPER:30MN	U006_S003	116
		U013	89
M0262985	LEVER:STRETCH:TRAY	U006_S003	117
M0262988	CLIP:STRETCH:UNI	U006	118
M0262993	DECAL:SIDE FENCE:MANUAL FEED	DECALS AND DOCUMENTS	19
		U013_S001	90
M0263021	DEVELOPMENT UNIT:BK	U008_S001_S002	12
M0263022	DEVELOPMENT UNIT:C	U008_S002_S002	13
M0263023	DEVELOPMENT UNIT:M	U008_S003_S002	14
M0263024	M0263024	U008_S004_S002	15
M0263204	TONER SUPPLY UNIT:BK	U007_S001	4
M0263205	TONER SUPPLY UNIT:C	U007	5
M0263206	TONER SUPPLY UNIT:M	U007_S003	6

Number	Part Name	Group	ID
M0263207	TONER SUPPLY UNIT:Y	U007	7
M0263208	DC MOTOR:LINE:ASS'Y:0.53W	U007	8
		U007_S002	8
		U007_S004	8
		U007_S005	8
M0263371	BRACKET:ARM:LEFT	U007	9
M0263372	ARM:RIGHT	U007	10
M0263373	ARM:LEFT UPPER	U007	11
M0263374	ARM:LEFT LOWER	U007	12
M0263375	TORSION SPRING:LEVER:LEFT	U007	13
M0263376	BRACKET:ARM:RIGHT	U007	14
M0263377	COMPRESSION SPRING:ARM:RIGHT:10N	U007	15
M0263380	TENSION SPRING:ARM:LEFT	U007	16
M0263800	CLEANING UNIT:ITB	U009_S001	2
M0264011	FUSING UNIT:NA:SERVICE	U012_S001	47
M0264041	TORSION SPRING:STRIPPER PLATE	U012_S001	48
M0264106	FUSING BELT	U012_S001	49
M0264163	HOUSING:THERMOSTAT	U012_S001	50
M0264167	HOUSING:THERMOSTAT:PRESSURE	U012_S001	51
M0264172	ELECTRODE PLATE:THERMOSTAT	U012_S001	52
M0264198	LEVER:PRESSURE:FRONT	U012_S001	53
M0264206	LEVER:PRESSURE RELEASE:FRONT	U012_S001	54
M0264218	LEVER:PRESSURE:REAR	U012_S001	55
M0264226	LEVER:PRESSURE RELEASE:REAR	U012_S001	56
M0264245	BRACKET:HEATER:FUSING:FRONT	U012_S001	57
M0264247	BRACKET:HEATER:FUSING:REAR	U012_S001	58
M0264252	BRACKET:HEATER:PRESSURE:REAR	U012_S001	59
M0264253	BRACKET:HEATER:PRESSURE:FRONT	U012_S001	60
M0264280	FUSING COVER:UPPER	U012_S001	61

## Exclusive Parts

Number	Part Name	Group	ID
M0264283	FUSING ENTRANCE GUIDE PLATE	U012_S001	62
M0264287	FUSING COVER:LOWER	U012_S001	63
M0264291	GUIDE PLATE:FUSING EXIT:ASS'Y	U012_S001	64
M0264295	FUSING COVER:RIGHT:ASS'Y	U012_S001_S001	65
M0264296	DECAL:H-TEMP WARNING:FUSING:1	DECALS AND DOCUMENTS	20
		U012_S001_S001	66
M0264298	DECAL:H-TEMP WARNING:FUSING:3	DECALS AND DOCUMENTS	21
		U013	91
M0264299	DECAL:H-TEMP WARNING:FUSING:2	DECALS AND DOCUMENTS	22
		U012_S001_S001	67
M0264308	BRACKET:THERMISTOR:PRESSURE:ASS'Y	U012_S001	68
M0264312	STRIPPER PLATE:COAT	U012_S001	69
M0264336	ELECTRODE PLATE:REAR:M3	U012_S001	70
M0264337	ELECTRODE PLATE:REAR:M4	U012_S001	71
M0264338	ELECTRODE PLATE:TERMINAL:PRESSURE	U012_S001	72
M0264349	HARNESS:FUSING UNIT:NA	U012_S001	73
M0264352	ELECTRODE PLATE:THERMOSTAT	U012_S001	74
M0264354	BRACKET:TERMINAL:PRESSURE	U012_S001	75
M0264357	TERMINAL:REAR	U012_S001	76
M0264359	TERMINAL:PRESSURE	U012_S001	77
M0264419	DRIVEN ROLLER:DIA16	U013	92
M0264487	INNER COVER:EXIT	U014	7
M0264514	LINK:DUPLEX	U013	93
M0264521	COVER:DUPLEX	U013	94
M0264529	LEVER:CONTACT POINT:DUPLEX	U013	95
M0264530	SHAFT:CONTACT POINT:DUPLEX	U013	96
M0264531	SPACER:LINK:MANUAL FEED	U013	97
M0264538	INNER COVER:REAR:DUPLEX	U013	98
M0264539	ARM:FRONT	U013	99
M0264541	SHAFT:HOOK:STOPPER	U013	100
M0264543	HOOK:STOPPER:DUPLEX:REAR	U013	101
M0264547	BUSHING:GUIDE:DUPLEX UNIT:SE	U013	102

Number	Part Name	Group	ID
	T:FRONT		
M0264548	BUSHING:GUIDE:DUPLEX UNIT:SE T:REAR	U013	103
M0264552	TRANSPORT ROLLER:DUPLEX	U013	104
M0264553	TRANSPORT ROLLER:FEED PAPER AGAIN	U013	105
M0264554	REVERSE ROLLER:UPPER	U013	106
M0264555	REVERSE ROLLER:RIGHT	U013	107
M0264557	GUIDE PLATE:COVER:RIGHT	U013	108
M0264558	ROLLER:DRIVEN:DIA12	U013	109
M0264559	STOPPER:DRIVEN ROLLER	U013	110
M0264561	GUIDE PLATE:OPEN AND CLOSE	U013	111
M0264563	GUIDE PLATE:TRANSFER:HOLDER	U013	112
M0264566	GATE PAWL:ENTRANCE:DUPLEX:ASS'Y	U013	113
M0264567	STOPPER:TRANSFER:HOLDER	U013	114
M0264569	GATE PAWL:TRAY:RIGHT	U013	115
M0264570	GUIDE PLATE:V TRANSPORT:DUPLEX	U013	116
M0264573	GATE PAWL:UPPER	U013	117
M0264576	SHAFT:DRIVEN:DUPLEX:EXIT	U013	118
M0264578	GUIDE PLATE:UPPER:DUPLEX	U013	119
M0264581	GEAR:IDLER:Z40	U013	120
M0264583	PULLEY:FEED PAPER AGAIN:T26	U013	121
M0264584	TIMING BELT:TRANSPORT:30S2M330	U013	122
M0264585	PULLEY:TRANSPORT ROLLER:DUPLEX:T26	U013	123
M0264586	PULLEY:CONNECTING:T24/T24	U013	124
M0264587	GEAR:FEED PAPER AGAIN:Z22	U013	125
M0264588	TIMING BELT:TRANSPORT:30S2M174	U013	126
M0264589	GEAR:COUPLING:MANUAL FEED:Z22/Z22	U013	127
M0264592	TIMING BELT:REVERSE ROLLER:30S2M184	U013	128
M0264593	GEAR:PULLEY:R ROLLER:UPPER:	U013	129

## Exclusive Parts

Number	Part Name	Group	ID
	Z22/T23		
M0264594	SUPPORT PLATE:GUIDE PLATE:ASS'Y	U013	130
M0264596	INNER COVER:FRONT:DUPLEX	U013	131
M0264597	COVER:REVERSE:UPPER	U013	132
M0264627	SPRING PLATE:DAMPER:DUPLEX	U013	133
M0264628	GROUND PLATE:COVER:RIGHT	U013	134
M0264629	STAY:COVER:OPEN AND CLOSE:RIGHT	U013	135
M0264631	BRACKET:GEAR:REVERSE	U013	136
M0264634	COIL SPRING:ROLLER:OPEN AND CLOSE	U013	137
M0264635	COIL SPRING:ROLLER:OPEN AND CLOSE	U013	138
M0264636	LINK:GATE PAWL:UPPER	U013	139
M0264637	TENSION SPRING:GATE PAWL:UPPER	U013	140
M0264638	COIL SPRING:ROLLER:REVERSE	U013	141
M0264640	TENSION SPRING:GATE PAWL:TRAY:RIGHT	U013	142
M0264641	TENSION SPRING:GATE PAWL	U013	143
M0264642	COIL SPRING:ROLLER:TRANSFER:5.5N	U013	144
M0264643	COIL SPRING:ROLLER:TRANSFER:3N	U013	145
M0264644	GUIDE PLATE:LINK:DUPLEX:ASS'Y	U013	146
M0264645	SUPPORTING PLATE:FRONT:DUPLEX	U013	147
M0264652	GUIDE:GEAR:DUPLEX:MANUAL FEED	U013	148
M0264655	COIL SPRING:BRACKET:GEAR:REVERSE	U013	149
M0264663	GEAR:DAMPER:DUPLEX	U013	150
M0264664	TORSION SPRING:DAMPER:DUPLEX:84N	U013	151
M0264669	ARM:PRESSURE RELEASE:FRONT	U013	152
M0264671	ARM:PRESSURE RELEASE:REAR	U013	153

Number	Part Name	Group	ID
M0264672	SHAFT:DRIVEN:ROLLER:DUPLEX:RIGHT	U013	154
M0264673	GUIDE PLATE:REVERSE:UPPER	U013	155
M0264674	GEAR:LINK:DUPLEX	U013	156
M0264677	GROUND WIRE:DUPLEX:EXIT:SENSOR	U013	157
M0264678	GROUND WIRE:DUPLEX:ENTRANCE:SENSOR	U013	158
M0264681	GUIDE:COVER:SENSOR:TRAY:RIGHT	U013	159
M0264682	SHAFT:GUIDE PLATE:TRANSFER:HOLDER	U013	160
M0264683	STOPPER:GUIDE PLATE:REAR	U013	161
M0264685	STOPPER:GUIDE PLATE:TRANSFER:HOLDER	U013	162
M0264686	DECAL:TRANSFER:HOLDER	DECALS AND DOCUMENTS	23
		U013	163
M0264687	LEVER:GUIDE PLATE:TRANSFER:HOLDER	U013	164
M0264688	END RING:CONTACT POINT:DUPLEX	U013	165
M0264694	STOPPER:GUIDE PLATE:FRONT	U013	166
M0264695	TENSION SPRING:LEVER:TRANSFER	U013	167
M0264696	TENSION SPRING:LEVER:DUPLEX	U013	168
M0264697	HOOK:STOPPER:DUPLEX:FRONT	U013	169
M0265101	PCB:BCU:ASS'Y	U017	25
M0265108	PCB:RFID-CPU	U007	17
M0265124	PCB:IPU	U017	26
M0265152	PCB:RFID-AFE:K	U007	18
M0265158	PCB:RFID-AFE:M	U007	19
M0265166	PCB:RFID-AFE:C	U007	20
M0265168	PCB:RFID-AFE:Y	U007	21
M0265175	PCB:LED-DB	U004	49
M0265194	PCB:SDB	U017	27
M0265224	INTERFACE CABLE:SCANNER:LVDSDS	U004	50

## Exclusive Parts

Number	Part Name	Group	ID
M0265272	CABLE:HDD:SATA:RED135	U017	28
M0265636	COVER:RACK	U017	29
M0265652	PANEL:CTL	U017_S001	30
M0265655	PANEL:CTL	U017_S001	31
M0265659	PANEL:SD	U017	32
M0265660	BRACKET:FAN	U017	33
M0265662	BRACKET:HDD	U017	34
M0265663	GROUND PLATE:HDD	U017	35
M0265712	SERVICE PARTS:PCB:EX2:M028:ASS'Y	U017	36
M0265713	SERVICE PARTS:PCB:EX2:M024:ASS'Y	U017	37
M0265736	SD-CARD:VM/CALYPSO	ACCESSORIES	6
M0265737	SD-CARD:VM/CALYPSO	ACCESSORIES	7
M0265782	CABLE:HDD:S-ATA:POWER:120	U017	38
M0265810	COVER:HARNESS:DRIVE	U016	64
M0265816	BRACKET:MAIN SWITCH	U017	39
M0265819	COVER:POWER SUPPLY UNIT:HEATER	U017	40
M0265828	GUARD:HARNESS:BCU	U017	41
M0265831	COVER:HARNESS:POWER PACK	U017	42
M0265847	BRACKET:PUSH SWITCH	U017	43
M0265857	PANEL:INTERFACE:HE-71	U017	44
M0265866	BRACKET:SAFETY SWITCH:MAIN	U017	45
M0265868	ARM:SAFETY SWITCH:NO.1	U017	46
M0265870	ARM:SAFETY SWITCH:NO.2	U017	47
M0265871	SHAFT:SAFETY SWITCH:NO.1	U017	48
M0265874	SHAFT:SAFETY SWITCH:NO.4	U017	49
M0265875	SHAFT:SAFETY SWITCH:NO.5	U017	50
M0265876	LEVER:SAFETY SWITCH:NO.1	U017	51
M0265877	LEVER:SAFETY SWITCH:NO.2	U017	52
M0265878	LEVER:SAFETY SWITCH:NO.3	U017	53
M0265879	LEVER:SAFETY SWITCH:NO.4	U017	54
M0265881	INSULATING SHEET:POWER PACK	U017	55
M0265882	TERMINAL:DEVELOPMENT	U017	56
M0265883	HOLDER:TERMINAL:DEVELOPMENT	U017	57

Number	Part Name	Group	ID
M0265884	SPRING PLATE:CHARGE	U017	58
M0265886	SPRING PLATE:DEVELOPMENT	U017	59
M0265887	TERMINAL:TRANSFER UNIT	U017	60
M0265888	TERMINAL:POWER PACK	U017	61
M0265889	WIRE:HIGH VOLTAGE:DEVELOPMENT:K	U017	62
M0265891	WIRE:HIGH VOLTAGE:DEVELOPMENT:C	U017	63
M0265892	WIRE:HIGH VOLTAGE:DEVELOPMENT:M	U017	64
M0265893	WIRE:HIGH VOLTAGE:DEVELOPMENT:Y	U017	65
M0265894	INNER COVER:TERMINAL	U017	66
M0265895	PLATE:SPRING PLATE:DEVELOPMENT	U017	67
M0265896	INNER COVER:GUARD:HARNESS	U017	68
M0265897	PLATE:SPRING PLATE:CHARGE	U017	69
M0266000	TRANSFER UNIT	U009_S002	3
M0266124	FLAT BELT-TRANSFER:ASS'Y	U009_S002	4
M0266166	DENSITY SENSOR:ASS'Y	U010	14
M0266200	TRANSFER/SEPARATION UNIT	U010	15
M0266290	HOLDER:LEVER:PRESSURE:TRANSFER	U010	16
M0266291	COVER:POWER PACK:TRANSFER UNIT	U010	17
M0266294	GUIDE PLATE:TRANSFER ROLLER:UPPER	U010	18
M0266295	SPRING PLATE:DISCHARGE	U010	19
M0266296	GROUND PLATE:POWER SOURCE:TRANSFER	U010	20
M0266301	LEVER:ON-OFF:TRANSFER UNIT	U010	21
M0266302	RAIL:MAIN:ASS'Y	U010	22
M0266329	SHUTTER:DENSITY SENSOR	U010	23
M0266332	INSULATING SHEET:DENSITY SENSOR	U010	24
M0266333	HOLDER:DENSITY SENSOR	U010	25
M0266351	RAIL:CLEANING UNIT	U010	26
M0266354	GUIDE:POSITIONING:FRONT	U010	27

## Exclusive Parts

Number	Part Name	Group	ID
M0266355	GUIDE:POSITIONING:REAR	U010	28
M0266356	GROUND PLATE:TRANSFER:SECOND	U010	29
M0266365	DECAL:WARNING (HIGH VOLTAGE)	DECALS AND DOCUMENTS	24
		U010	30
M0266481	GEAR:IDLER:COLLECTION BOTTLE:20Z	U016	65
M0266482	GEAR:IDLER:DC MOTOR:30Z	U016	66
M0266483	SHAFT:GEAR:IDLER:COLLECTION BOTTLE	U016	67
M0266485	DC MOTOR:2.64W	U016	68
M0266850	DECAL:CLEANING:SHIELD GLASS	DECALS AND DOCUMENTS	25
M0266880	DECAL:COLORED DISPLAY:INNER COVER:C	DECALS AND DOCUMENTS	26
		U001_S001	38
M0266881	DECAL:COLORED DISPLAY:INNER COVER:M	DECALS AND DOCUMENTS	27
		U001_S001	39
M0266882	DECAL:COLORED DISPLAY:INNER COVER:Y	DECALS AND DOCUMENTS	28
		U001_S001	40
M0266883	DECAL:COLORED DISPLAY:INNER COVER:BK	DECALS AND DOCUMENTS	29
		U001_S001	41
M0266884	DECAL:MAIN SWITCH:ON-STANDBY:NA	ACCESSORIES	8
		DECALS AND DOCUMENTS	30
M0266890	DECAL:CAUTION:ORIGINAL:ENGLISH	ACCESSORIES	9
		DECALS AND DOCUMENTS	31
M0269590	NV-RAM	U017	70
M0281031	DC MOTOR:ON-OFF:1.56W	U016	69
		U016_S001	69
M0281032	BRACKET:ON-OFF:USED TONER	U016	70
M0281148	SHAFT:ON-OFF:SECOND:PRESS FIT	U016_S002	71

Number	Part Name	Group	ID
M0281165	BRACKET:DRIVE UNIT:PAPER EXIT:NO.1	U016	72
M0281168	COVER:DRIVE UNIT:SYNCHRONOUS BELT	U017	71
M0281169	DRIVE UNIT:PAPER EXIT SUB-UNIT:NO.2	U016_S004	73
M0281178	DC STEPPER MOTOR:REVERSE:0.94W	U016_S004	74
M0281196	COVER:GEAR:REVERSE SUB-UNIT	U018	36
M0281255	RAIL:TONER BOTTLE	U015	45
M0281258	COVER:UPPER:FRONT:FIN	U001	42
M0281288	INNER COVER:RIGHT UPPER:FIN	U001	43
M0281292	COVER:STAPLER	U001	44
M0284443	DC SOLENOID:GATE PAWL:NO.2	U014	8
M0284452	TRANSPORT ROLLER:FIN	U014	9
M0284459	GEAR:INPUT:Z26:FIN	U014	10
M0284475	BRACKET:DC SOLENOID:PEEN	U014	11
M0286801	Decal:Model Name:M028:RIC	DECALS AND DOCUMENTS	32
M0286802	Decal:Model Name:M028:SVN	DECALS AND DOCUMENTS	33
M0286803	Decal:Model Name:M028:GES:NA	DECALS AND DOCUMENTS	34
M0286804	Decal:Model Name:M028:LAN:NA	DECALS AND DOCUMENTS	35
M0521563	GASKET:BRACKET:REAR:SMALL	ACCESSORIES	10
M3641211	HINGE:LEFT	U003	36
M3641221	HINGE:RIGHT	U003	37
M3641227	HOOK:GUIDE:EXPOSURE GLASS	U003	38
M3641317	SUPPORTING PLATE:LEFT LOWER	U003	39
M3641321	LEVER:DRIVEN:SCANNING	U003	40
M3641322	COMPRESSION SPRING:SCANNING:DRIVEN	U003	41
M3641323	COMPRESSION SPRING:SCANNING:DRIVEN	U003	42
M3641326	GUIDE PLATE:SCANNING:FRONT	U003	43

## Exclusive Parts

Number	Part Name	Group	ID
	LOWER		
M3641327	SHEET:SCANNING:FRONT LOWER	U003	44
M3641335	EXIT ROLLER:DRIVEN:ASS'Y	U003	45
M3641342	ROLLER:SCANNING:DRIVEN:SHO RT	U003	46
M3641386	CUSHION:PRESSURE PLATE	U003	47
M3641387	BRACKET:PRESSURE PLATE	U003	48
M3642110	SHAFT:PAPER FEED UNIT	U003	49
M3642121	FEED ROLLER	U003	50
M3642123	TIMING PULLEY:PICKUP:DRIVE	U003	51
M3642124	COMPRESSION SPRING:PAPER F EED UNIT	U003	52
M3642132	TORQUE LIMITER:PICKUP	U003	53
M3642141	ARM:PAPER STOPPER	U003	54
M3642142	PAPER STOPPER	U003	55
M3642143	TORSION SPRING:PAPER STOPP ER	U003	56
M3642144	LINK:PAPER STOPPER	U003	57
M3642151	HOLDER:PICKUP	U003	58
M3642161	SHAFT:PICKUP	U003	59
M3642162	TIMING PULLEY:PICKUP	U003	60
M3642163	TIMING BELT:40S2M130	U003	61
M3642211	HOLDER:FRICTION PAD:ASS'Y	U003_S001	62
M3642213	COMPRESSION SPRING:SEPARAT ION	U003_S001	63
M3642222	GUIDE PLATE:OPEN AND CLOSE	U003	64
M3642311	GUIDE PLATE:PAPER FEED	U003	65
M3642313	TENSION SPRING:PRESSURE REL EASE	U003	66
M3642314	LEVER:PRESSURE RELEASE:SEP ARATION	U003	67
M3642315	CUSHION:SEPARATION	U003	68
M3643111	TRANSPORT ROLLER:PULL OUT	U003	69
M3643116	TIMING PULLEY:PULL OUT	U003	70
M3643121	TRANSPORT ROLLER:SCANNING	U003	71
M3643131	EXIT ROLLER	U003	72
M3643136	KNOB:MISFEED REMOVAL	U003	73
M3643211	GUIDE PLATE:TRANSPORT	U003	74

Number	Part Name	Group	ID
M3643212	DISCHARGE BRUSH:EXIT:SUS	U003	75
M3643221	SPRING PLATE:EARTH:EXIT	U003	76
M3643227	CUSHION:HARNESS	U003	77
M3643232	EXIT ROLLER:DRIVEN	U003	78
		U003_S003	78
M3643241	GUIDE PLATE:REVERSE:UPPER	U003	79
M3643311	GUIDE PLATE:SCANNING	U003	80
M3643321	SPRING PLATE:GUIDE:EXPOSURE GLASS	U003	81
M3643412	FEELER:REVERSE	U003	82
M3643416	GUIDE PLATE:REVERSE	U003	83
M3643421	GATE PAWL:REVERSE	U003	84
M3643422	CUSHION:GATE PAWL:REVERSE	U003	85
M3644121	TIMING PULLEY:SLOW DOWN:PAP ER FEED	U003	86
M3644122	GEAR:TIMING PULLEY:SLOW DO WN:PAPER FEED	U003	87
M3644124	GEAR:TIMING PULLEY:COUPLING	U003	88
M3644131	TIMING BELT:B40S2M160	U003	89
M3644231	TIGHTENER:TRANSPORT:ASS'Y	U003	90
M3644244	TENSION SPRING:TIGHTENER:TR ANSPORT	U003	91
M3644245	TIMING BELT:B80S1.5M236	U003	92
M3644251	SHAFT:ELECTROMAGNETIC CLUT CH	U003	93
M3644311	BRACKET:MOTOR	U003	94
M3644321	STEPPER MOTOR:DC 0.94W	U003	95
M3644341	TENSION SPRING:MOTOR	U003	96
M3644353	BRACKET:DC FAN MOTOR	U003	97
M3644411	DC SOLENOID:GATE PAWL:REVE RSE	U003	98
M3644511	COVER:REAR	U003	99
M3644521	COVER:FRONT	U003	100
M3644531	COVER:RIGHT	U003	101
M3644536	TRAY:AUXILIARY	U003	102
M3644610	COVER:PAPER FEED:ASS'Y	U003_S002	103
M3644617	GUIDE PLATE:COVER:PAPER FEE D	U003_S002	104

## Exclusive Parts

Number	Part Name	Group	ID
M3644621	GRIP:COVER:PAPER FEED	U003_S002	105
M3644622	TORSION SPRING:GRIP	U003_S002	106
M3644626	FEELER:ORIGINAL SENSOR	U003_S002	107
M3644641	SHAFT:DRIVEN	U003	108
		U003_S002	108
M3644642	ROLLER:DRIVEN:SHORT	U003_S002	109
M3644643	COMPRESSION SPRING:DRIVEN ROLLER:PULL OUT	U003_S002	110
M3644648	PLAIN SHAFT BEARING:M4	U003	111
		U003_S002	111
M3644720	ORIGINAL TABLE:ASS'Y	U003_S003	112
M3644724	SPRING PLATE:REVERSE:PRESSURE	U003_S003	113
M3644736	CUSHION:SIDE FENCE:SMALL	U003_S003	114
M3644741	SIDE FENCE:INNER BACK	U003_S003	115
M3644742	SIDE FENCE:FRONT	U003_S003	116
M3644743	COMPRESSION SPRING:SIDE FENCE	U003_S003	117
M3644744	GEAR:SIDE FENCE	U003_S003	118
M3644751	EXTENSION TRAY	U003_S003	119
M3644811	PRESSURE PLATE	U003	120
M3644821	TAPE:PRESSURE PLATE:LEFT	U003	121
M3644823	TAPE:PRESSURE PLATE	U003	122
M3645022	PCB:MAIN CONTROL:ASS'Y	U003	123
M3645751	GUIDE:HARNESS	U003	124
M3646011	DECAL:CAUTION:ORIGINAL:NA	ACCESSORIES	11
		DECALS AND DOCUMENTS	36
M3646021	DECAL:ORIGINAL TABLE	DECALS AND DOCUMENTS	37
		U003	125
M3646031	DECAL:ORIGINAL SCALE:INNER BACK	DECALS AND DOCUMENTS	38
		U003_S003	126
M3646032	DECAL:ORIGINAL SCALE:FRONT	DECALS AND DOCUMENTS	39
		U003_S003	127
M3646041	DECAL:SIDE FENCE	DECALS AND DOCUMENTS	40

Number	Part Name	Group	ID
		CUMENTS	
		U003_S003	128
M3646051	DECAL:LEVER:KNOB	DECALS AND DOCUMENTS	41
		U003	129
M3655752	GUIDE:HARNESS:SMALL	U015	46
M3661121	BRACKET:DOOR SWITCH:STAPLE EXCHANGE	U015	47
M3661122	SPRING PLATE:DOOR SWITCH:STAPLE EXCHANGE	U015	48
M3661323	HOLDER:SAFETY SWITCH	ACCESSORIES	12
M3661521	COVER:EXIT:UPPER:GER	U015	49
M3661541	COVER:EXIT:REAR:GER	U015	50
M3662111	GUIDE PLATE:TRANSPORT:LOWER	U015	51
M3662112	GUIDE PLATE:TRANSPORT:UPPER	U015	52
M3662113	DISCHARGE BRUSH:ENTRANCE	U015	53
M3662114	DRIVEN ROLLER:SLIDE	U015	54
M3662115	COMPRESSION SPRING:DRIVEN	U015	55
M3662116	GUIDE:TRAILING EDGE	U015	56
M3662117	GASKET:3X7X10	U015	57
M3662212	GUIDE PLATE:EXIT:OPEN AND CLOSE	U015	58
M3662214	SHAFT:EXIT ROLLER:DRIVEN	U015	59
M3662216	CUSHION:GUIDE PLATE:EXIT	U015	60
M3662222	PAWL:EXIT:OPEN AND CLOSE:ASS'Y	U015	61
M3662223	SPRING PLATE:GUIDE PLATE:EXIT	U015	62
M3662224	GEAR:SECTOR:EXIT:OPEN AND CLOSE	U015	63
M3662225	LEVER:SAFETY SWITCH	U015	64
M3662232	SHAFT:GATHERING ROLLER:DRIVE:ASS'Y	U015	65
M3662234	TIMING PULLEY:GATHERING ROLLER:DRIVE:TRANSMISSION	U015	66
M3662235	GATHERING ROLLER	U015	67



## Exclusive Parts

Number	Part Name	Group	ID
M3662236	SHAFT:GATHERING ROLLER	U015	68
M3662237	ARM:GATHERING ROLLER	U015	69
M3662238	SHAFT:BALANCER:GATHERING ROLLER	U015	70
M3662241	DISCHARGE BRUSH:EXIT:OPEN AND CLOSE	U015	71
M3662251	GEAR:GATHERING ROLLER:DRIVE:Z20	U015	72
M3662252	GEAR:PULLEY:Z18/T20	U015	73
M3662311	TRANSPORT ROLLER:ENTRANCE	U015	74
M3662312	GEAR:TRANSPORT:Z25	U015	75
M3662313	KNOB:TRANSPORT ROLLER:ENTRANCE	U015	76
M3662321	TRANSPORT ROLLER:SLIDE	U015	77
M3662322	LINK:ROLLER:SLIDE:ASS'Y	U015	78
M3662325	BUSHING:ROLLER:SLIDE	U015	79
M3662331	EXIT ROLLER:FRONT	U015	80
M3662332	EXIT ROLLER:INNER BACK	U015	81
M3662334	TIMING PULLEY:EXIT ROLLER:DRIVE	U015	82
M3662335	TIMING PULLEY:EXIT ROLLER:DRIVE	U015	83
M3662511	SHAFT:DRIVE:TRANSMISSION:ROLLER:RETURN	U015	84
M3662512	GEAR:RETURN:DRIVE:TRANSMISSION:Z31	U015	85
M3662514	GEAR:ROLLER:RETURN:MIDDLE:Z25	U015	86
M3662515	GEAR:ROLLER:RETURN:MIDDLE:Z28	U015	87
M3662516	REVERSE ROLLER:TRAILING EDGE:Z20	U015	88
M3662517	ARM:REVERSE ROLLER	U015	89
M3662518	GEAR:IDLER:Z22:LIGHTER	U015	90
M3662519	GEAR:RETURN:DRIVE:Z25	U015	91
M3662613	GEAR:PULLEY:Z25/T20	U015	92
M3662614	GEAR:IDLER:Z22	U015	93
M3662615	GEAR:IDLER:Z35	U015	94

Number	Part Name	Group	ID
M3662616	TENSION SPRING:TENSIONER:TRANSPORT	U015	95
M3662621	BRACKET:DC STEPPER MOTOR:EXIT	U015	96
M3662632	BRACKET:DC STEPPER MOTOR:SLIDE:ASS'Y	U015	97
M3662635	CAM:ROLLER:SLIDE	U015	98
M3662641	BRACKET:DC STEPPER MOTOR:EXIT:OPEN AND CLOSE:ASS'Y	U015	99
M3662651	BRACKET:DC STEPPER MOTOR:GATHERING ROLLER:ASS'Y	U015	100
M3662654	CAM:LEVER:GATHERING ROLLER	U015	101
M3663121	END FENCE:EXIT	U015	102
M3663221	TRAY:EXIT:FIX	U015	103
M3663231	TRAY:EXIT:MOVEABLE	U015	104
M3663241	TRAY:EXIT:AUXILIARY:SMALL	U015_S001	105
M3663251	INNER COVER:TRAY	U015	106
M3663310	BRACKET:DC MOTOR:EXIT:ASS'Y	U015	107
M3663315	SHAFT:WORM WHEEL	U015	108
M3663316	GEAR:Z20/Z35	U015	109
M3663317	GEAR:Z37:WORM GEAR	U015	110
M3663320	CAM:TRAY:MOVEABLE:ASS'Y	U015	111
M3663325	GEAR:DRIVE:CAM:Z42	U015	112
M3663412	BRACKET:SOLENOID:PAPER SENSER	U015	113
M3663420	ARM:PAPER SENSER:TRAILING EDGE:ASS'Y	U015	114
M3663430	DC SOLENOID:PAPER SENSER:SUB-ASS'Y	U015	115
M3663441	TORSION SPRING:LEVER	U015	116
M3663442	CUSHION:PLATE:RETURN	U015	117
M3663510	BRACKET:EXIT:CONNECTING	U015	118
M3663521	SHAFT:EXIT:COUPLING	U015	119
M3663522	GEAR:EXIT:COUPLING:Z20	U015	120
M3663523	GEAR:EXIT:COUPLING:MIDDLE:Z19	U015	121
M3664112	JOGGER FENCE:REAR	U015	122
M3664113	SHAFT:GUIDE:JOGGER:FRONT	U015	123

## Exclusive Parts

Number	Part Name	Group	ID
M3664142	BRACKET:DC STEPPER MOTOR:JOGGER	U015	124
M3664151	STANDARD FENCE:TRAILING EDGE:SUB-ASS'Y	U015	125
M3664156	TRAY:STAPLE	U015	126
M3664157	STANDARD FENCE:FIX:FRONT	U015	127
M3664158	STAY:JOGGER	U015	128
M3664161	TENSIONER:JOGGER FENCE	U015	129
M3664170	TENSION SPRING:BELT TENSIONER:JOGGER FENCE	U015	130
M3664210	BRACKET:STAPLER	U015	131
M3665124	PCB:MAIN CONTROL:ASS'Y	U015	132
M3665560	DC STEPPER MOTOR:JOGGER:1.48W	U015	133
M3665561	DC STEPPER MOTOR:1.48W	U015	134
M3665570	DC STEPPER MOTOR:TRANSPORT:3.78W	U015	135
M3665571	DC STEPPER MOTOR:EXIT:3.78W	U015	136
M3666110	BRACKET:FIX:FINISHING UNIT	U015	137
M3666120	TRAY:EXIT:AUXILIARY:ASS'Y	U015_S001	138
M3666211	CUSHION	U015	139
M3666212	CUSHION:SMALL	U015	140
M3666811	DECAL:STAPLER:CAUTION	DECALS AND DOCUMENTS	42
VSSM9000	Digital Multimeter - FLUKE87	SPECIAL TOOLS	11

## Standard Parts



03530030N  
SCREW:M3X3



03530040N  
SCREW - M3X4



03530060N  
BIND SCREW - M3X6



03530140N  
SCREW:M3X14



03603006N  
SCREW - M3X6



03603006P  
SCREW - M3X6



03603025N  
SCREW:M3X25



04503025N  
TAPPING SCREW:3X25



04504008N  
TAPPING SCREW - M4X8



04504010N  
TAPPING SCREW:M4X10



04513006N  
TAPPING SCREW - 3X6



04513008N  
TAPPING SCREW - M3X8



04513010N  
TAPPING SCREW:3X10



04543006Q  
TAPPING SCREW - M3X6



04543008Q  
TAPPING SCREW:3X8



04543020Q  
TAPPING SCREW::3X20



06320100G  
PIN - 2X10MM



06320120G  
PARALLEL PIN - 2X12



07200030E  
RETAINING RING - M3



07200040E  
RETAINING RING - M4



07200060E  
RETAINING RING - M6



07250120E  
RETAINING RING C - M12



07250170E  
RETAINING RING C - M17



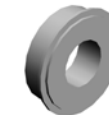
07250200E  
RETAINING RING C - M20



07270080E  
RETAINING RING - M8



07330408  
BUSHING:4X8



07423808  
BALL BEARING - 8X16X5



08025299  
TAPPING SCREW - M3X8

## Standard Parts



08025319  
HEXAGON HEAD TAPPING S  
CREW:ES:3X8



08025320  
HEXAGON HEAD TAPPING S  
CREW:ES:3X10



08046127  
HEXAGONAL BOLT:DOUBLE  
SCREW:M3X8



08046128  
HEXAGONAL BOLT:DOUBLE  
SCREW:M3X10



08050088  
RETAINING RING - M6



08050089  
RETAINING RING - M4



08050092  
RETAINING RING - 3M



08050097  
RING SEPARATOR



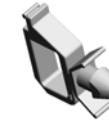
08053385  
BUSHING - 6MM



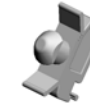
09543010N  
SCREW:POLISHED ROUND/  
SPRING:M3X10



11050487  
HARNESS CLAMP



11050508  
HARNESS CLAMP - LWS-071  
1



11050511  
HARNESS CLAMP - LWS-030  
6ZC



11050516  
CLAMP



11050534  
CLAMP



11050551  
CLAMP:LES-0505



11050598  
CLAMP:LWSS-1N



11050692  
CLAMP:LES-0503



11050717  
CLAMP:JDW-1S



11050723  
CLAMPS:WES-0507



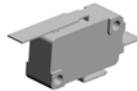
11500433  
POWER SUPPLY CODE:125V  
:15A:NA



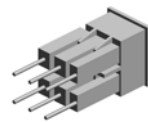
12042519  
SWITCH:DE2L-FJ19



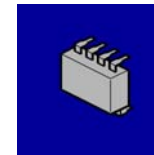
12042521  
MICRO SWITCH



12042612  
MICRO SWITCH:D3V-16506-3  
C25



12042868  
SWITCH:RS51-AA11



14077153  
EEPROM:AT24C64C-PU:64K

## PM Part List

Number	Part Name	Num	Group	ID
AA010122	FILTER:REAR	2	U001	4
AE010076	HOT ROLLER	1	U012_S001	23
AE020179	PRESSURE ROLLER	1	U012_S001	25
AE031045	BUSHING - BELT TENSION ROLLER	2	U012_S001	29
AE031061	FRONT BUSHING - OIL SUPPLY ROLLER	1	U012_S001	30
AE031062	REAR BUSHING - OIL SUPPLY ROLLER	1	U012_S001	31
AE040074	OIL SUPPLY ROLLER:DIA18	1	U012_S001	33
AE040075	ROLLER:BELT TENSIONER	1	U012_S001	34
AE042087	CLEANING ROLLER:OIL SUPPLY ROLLER	1	U012_S001	35
M0226400	WASTE TONER BOTTLE	1	U011	4
M0262014	PCU:BK:ASS'Y	1	U008_S001_S001	9
M0263021	DEVELOPMENT UNIT:BK	1	U008_S001_S002	12
M0263800	CLEANING UNIT:ITB	1	U009_S001	2
M0264106	FUSING BELT	1	U012_S001	49
M0266200	TRANSFER/SEPARATION UNIT	1	U010	15