

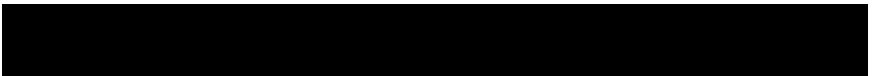
Parts List

In this chapter...

- Serial Number Format
- Using the Parts List
- Print Engine
- Xerox Supplies and Accessories

Section

9



Serial Number Format

Changes to Xerox products are made to accommodate improved components as they become available. As improvements are made, part numbers may change from those appearing in this section. To get the latest part, provide the following information when ordering:

- Component's part number
- Product type or configuration number
- Serial number of the printer

The serial number is coded as follows:

- The text “S/N” followed by the serial number in the barcode.
- The barcode **does not** include a field identifier.
- The nine digit serial number format **PPPRSSSSS** where:

PPP - Is the alphanumeric Product Code

Product	Configuration	Voltage	Product Code
7400	N, DN, DT, DX, DXF	110 V	WMY
7400V	N, DN, DT, DX, DXF	220 V	WNC

R - Is the numeric revision digit. Changes at major product updates or when the serial number is reset to a starting value of 30001, 60001, or 95001 for 7400, and 30001, or 50001 for 7400V.

SSSSS - Is the five digit numeric serial number.

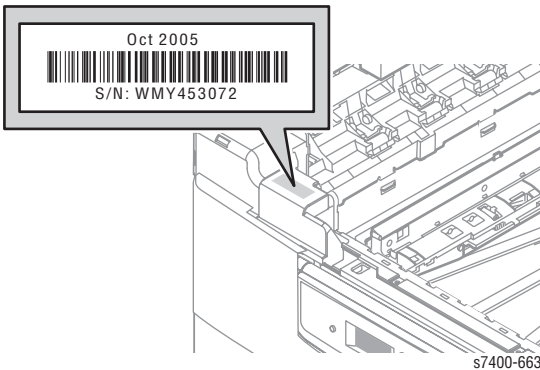
For example:

S/N WMY453072

WMY = Product code for the 7400, 110 V Printer

4 = Revision level

53072 = Serial number for 7400 N



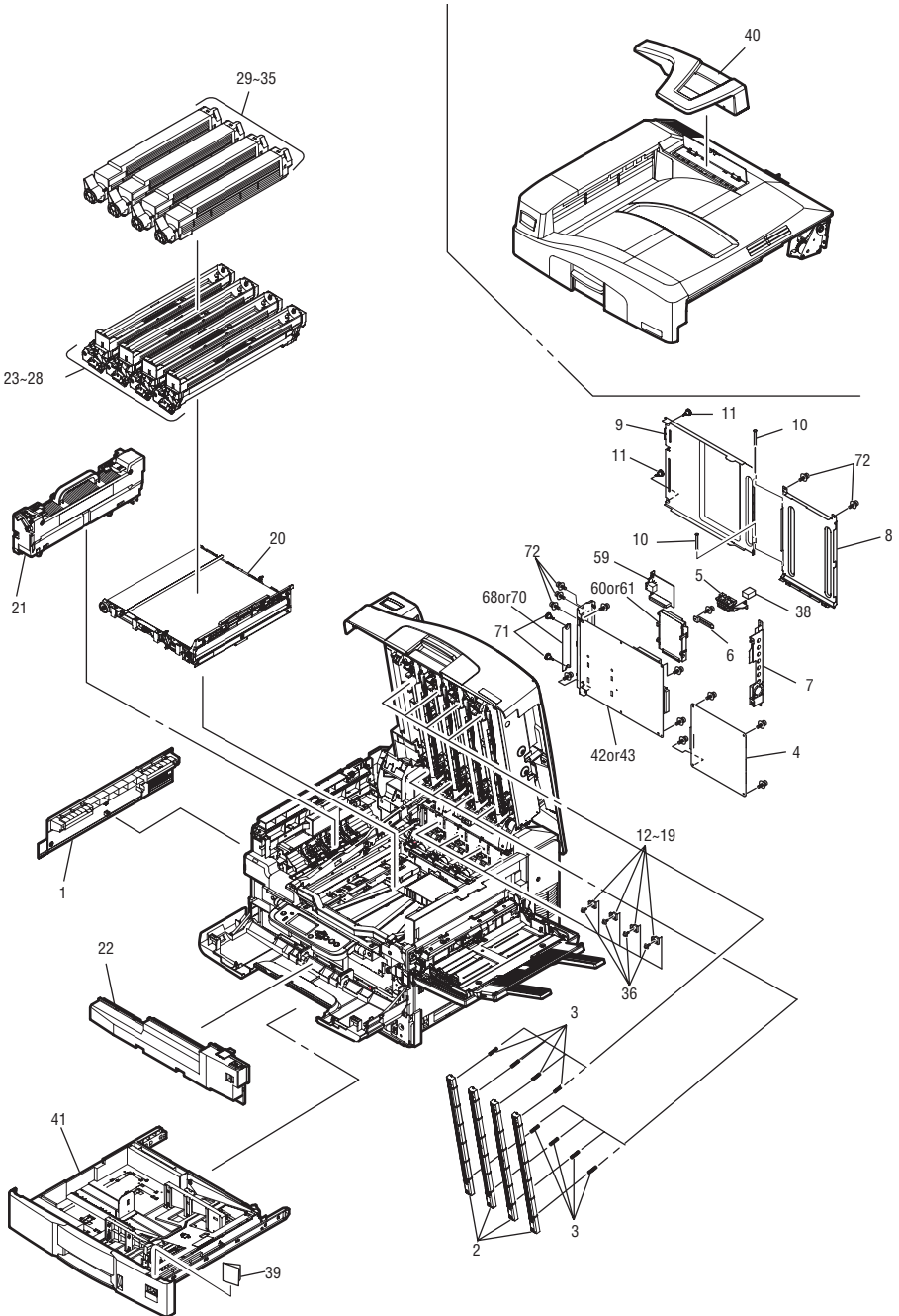
Using the Parts List

Only those parts listed with part numbers are available for order. Parts listed without part numbers are only available as part of a parent assembly or Service Kit.

1. **No.:** The callout number from the exploded part diagram.
2. **Part Number:** The material part number used to order specific parts.
3. **Name/Description:** Name of the part and number supplied per order.
4. Parts throughout this manual are referenced **PL#.#.#**; For example, PL3.1.10 means the part is item 10 of Parts List 3.1.
5. A black triangle preceding a number followed by a parenthetical statement indicates the item is a parent assembly, made up of the parts listed in parentheses and enclosed by a dashed line.
6. The notation “**(with X~Y)**” following a part name indicates an assembly includes components X through Y. For example, “1 (with 2~4)” means part 1 consists of parts 2, 3, and 4.
7. The notation “**J1<>J2 and P2**” is attached to a wire harness. It indicates that connector Jack 1 is attached to one end of the wire harness and connector J2 is attached to the other end that is plugged into P2.

Print Engine Parts

Parts List 1.1 Main Assembly



s7400-198

Parts List 1.1 Main Assembly- Service Parts List

No.	Part Number	Name/Description
1.	802E99390	Cover-Blank (Dup)
2.	107K02330	LED Head-Unit-53MXF
3.	809E77450	Spring-Head
4.	960K27530	OR-S2V (Engine Control Board)
5.	114K01930	Code-Clump (Cable Clamp, Card Cage)
6.		Plate-Clump-HCB (Cable Clamp Retainer)
7.	815E34450	Plate-Beam
8.	815E33950	Plate-Shield
9.	815E33960	Plate-Cover
10.		Shaft-Shield
11.	003E77740	Screw-Knob (included in Screw Kit)
12.	032E29850	Block-Lockout-723
13.	032E29860	Block-Lockout-723-2
14.		Block-Lockout-723-3
15.		Block-Lockout-723-4
16.		Block-Lockout-723-5
17.		Block-Lockout-723-6
18.	014E61250	Block-Lockout-723-9
19.	032E29870	Block-Lockout-723-10
20.		Transfer Unit {See Supplies and Accesories (page 9-58)}
21.		Fuser 110 V {See Supplies and Accesories (page 9-58)} Fuser 220 V
22.		Waste Toner Reservoir {See Supplies and Accesories (page 9-58)}
23.		Imaging Unit Type C7 C {See Supplies and Accesories (page 9-58)}
24.		Imaging Unit Type C7 M {See Supplies and Accesories (page 9-58)}
25.		Imaging Unit Type C7 Y {See Supplies and Accesories (page 9-58)}
26.		Imaging Unit Type C7 K {See Supplies and Accesories (page 9-58)}
29.		Toner-Cart Type C7 Y{See Supplies and Accesories (page 9-58)}
30.		Toner-Cart Type C7 M{See Supplies and Accesories (page 9-58)}
31.		Toner-Cart Type C7 C{See Supplies and Accesories (page 9-58)}
32.		Toner-Cart Type C7 K{See Supplies and Accesories (page 9-58)}
36.		Cup_Screw (S Tight M3) (included in Screw Kit)

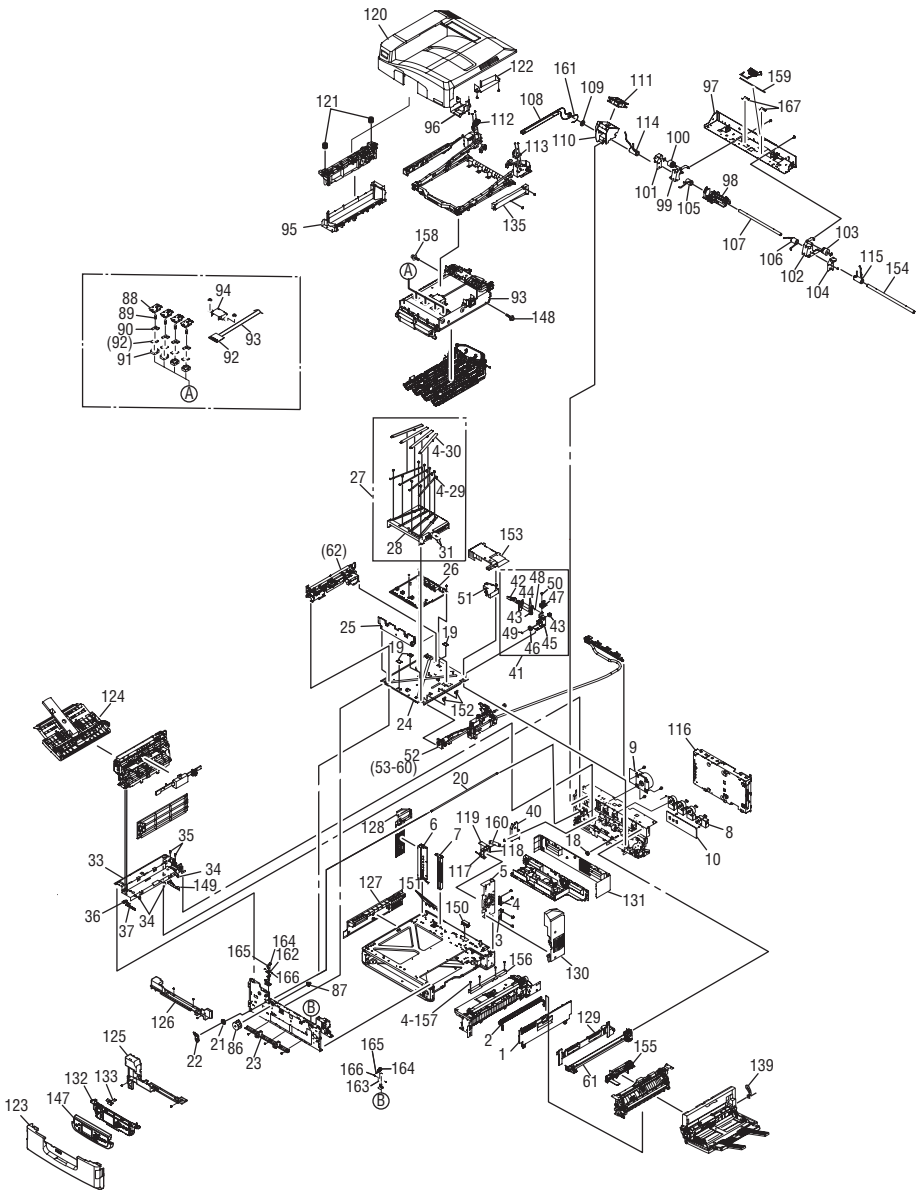
Parts List 1.1 Main Assembly- Service Parts List

No.	Part Number	Name/Description
37.		Cup_Screw A (included in Screw Kit)
38.	835E10830	Gasket-HCB
39.		Indicator-Paper-Size(OKI)
40.	003E77960	Stopper-Paper
41.	802K93850	Case-Cassette-Assy. (Universal Tray)
42.		
43.	971537200	IP Board (w/Memory and Configuration Card)
44.	537E66620	EEPROM(CU) (Image Processor Board EEPROM)
45.		EEPROM(CU),Key-chip
46.		BIOSROM
47.		BT100
48.		Board-OWF
49.		Board-OWF
50.		Board-HMY
51.		Board-HMY
52.		Board-HMY
53.		Board-Memory 128MB
54.	856000300	Board-Memory 256MB
55.	856000400	Board-Memory 512MB
61.	121K44690	HDD Assy 20GB (Hard Drive)
62.		Compact Flash
63.		Nylon Stud
64.		Plate-Interface Caulking
65.		Plate-Interface Caulking
66.		Guide-Rail
67.		Plate-Support-PCI
68.		Plate-Blank
69.		Plate-Blank-N
70.		Plate-Blank-W
71.	003E77740	Screw-Knob (included in Screw Kit)
72.		Cup_Screw (S Tight M3) (included in Screw Kit)
73.		Screw

Parts List 1.1 Main Assembly- Service Parts List

No.	Part Number	Name/Description
74.	127E15360	Motor-Fan(CU) (IP Fan)
75.		Motor-Fan(CU)
76.		Motor-Fan(CU)
77.		Bracket-Fan-CU1
78.		Bracket-Fan-CU2
79.		Screw-PSW3 (included in Screw Kit)
80.		Gasket-Interface-A
81.		Gasket-Interface-B
82.		Connector Cover
83.		EEPROM(CU)
84.		Board-BYN
85.		0494 001NR
86.		TFC-20/TFT-102010N (Core of LAN cable)

Parts List 2.1 Printer



s7400-042

Parts List 2.1 Printer - Service Parts List

No.	Part Number	Name/Description
1.	032K04400	Cover-Guide-1st-Assy (Door B)
2.		Guide-Paper
3.		Plate-Stay-A
4.		Plate-Stay-B
5.		Plate-Support-A
6.		Plate-Support-B-Assy
7.		Plate-Support-C
8.		Motor-DC (Imaging Unit Motor [CMYK])
9.		Motor-DC (Fuser Motor)
10.		OR-S2M (Motor Driver Board)
11.		CONN Cord-HIROSE6P-H2P,H4P
12.		CONN Cord-JST2P-JST2P
13.		CONN Cord-AMP11P-AMP11P
14.		CONN Cord-AMP4P-AMP4P
15.		CONN Cord-JST5P-JST4P
16.		TW-VF-16-0.1X0.8-420 CONN PAR- -
17.		SMCD-40-160BD(1.0) CONN PAR- -
18.		SMCD-30-160BD(1.0) CONN PAR- -
19.		Film-Guide FFC
20.		Shaft-LiftUp
21.		Bush
22.	115K02510	Planet Assy.-F
23.		Frame-Holder
24.		Plate-HV-Base
25.	068K46570	Bracket-HV-Assy (Housing Bias Assembly)
26.	105K29310	PWR unit-(HIGH VOLTAGE) (HVPS)
27.	802K93920	Cover-HV- Assy (with 28~32) (HVPS Cover)
28.		Cover-HV
29.		Contact-TR
30.		Cover-Contact-TR
31.		Spring-Fuse-Belt

Parts List 2.1 Printer - Service Parts List

No.	Part Number	Name/Description
32.		TappingScrew-B2 L=8 (included in Screw Kit)
33.		Plate-Heat
34.		Clamp-Cable
35.		Stad-Shoulder
36.		Photo-Interrupter (Fuser Release Sensor)
37.		Cover-Cable-Heat A
38.		CONN Cord-JST4P-JST4P (FSRPWR Harness)
39.		CONN Cord-JST12P-JST6P,JST7P (FSRSNR Harness)
40.		Plate-Guide-ID
41.	054K37700	Gear-Duct-ID- Assy (with 42~50)
42.		Bracket-D-Caulking
43.		Gear-Bevel
44.		Gear-Idle-D
45.		Bracket-B-Caulking
46.		Gear-Idle
47.		Holder-Hall-Duct (Waste Toner Auger Rotation Sensor Holder)
48.		Ring
49.		Ring
50.		Cup_Screw (S Tight M3) (included in Screw Kit)
51.		Guide-Tube-L (Auger Tube Guide)
52.	007K14060	Duct-Gear-Assy (with 53 -60) (Waste Toner Auger Assembly)
53.		Duct- Assy.-Toner
54.		Plate-BKT-Duct A Caulking
55.		Plate-BKT-Duct B
56.		Gear-Reduction-Tube
57.		Gear-Idle-BBD
58.		Gear-Idle-D
59.		Gear-WT-Z20-Z21
60.		Cup_Screw (S Tight M3) (included in Screw Kit)
61.	015K77480	Plate Assy.-MPT Lock (Door A Latch Assy)
86.	023E30870	Motor-Pulse-Belt (Transfer Unit Motor)
87.		Gear-Idle-Belt

Parts List 2.1 Printer - Service Parts List

No.	Part Number	Name/Description
88.		Holder-ANT
89.		Spring-ANT
90.		Bracket-ANT
91.		Cover-ANT
92.		RFID read witer system (CRUM Reader Board)
93.		SMCD-9-560BD(1.0) CONN PAR (RFID harness)
94.		Plate-Shield-RFID (CRUM Reader Board Cover)
95.	802K93870	Cover Assy.-Top(Sub) (Top Output Chute)
96.		Cover-Duct(L)
97.		Plate-Shaft-Base
98.		Code-Guide
99.		Plate-Damper-TCL-Caulking
100.		Damper-L
101.		Plate-Damper-TCL-SUB
102.		Plate-Damper-TCR-Caulking
103.		Damper-R
104.		Plate-Damper-TCR-SUB
105.		Spring-Torsion-Top-L
106.		Spring-Torsion-Top-R
107.		Shaft-Top
108.		Plate-Support(Top)
109.		Collar
110.		Frame-Duct (Fuser Fan Duct)
111.		Motor-Fan (Fuser Fan)
112.		Gear-BKL2 (included in Gear Kit)
113.		Gear-BKR2 (included in Gear Kit)
114.		Spring-Torsion-BAS-L
115.		Spring-Torsion-BAS-R
116.	055K36690	Plate-Shield-Box- Assy. (Card Cage)
117.		Holder-Duct-FAN-PCB
118.	127E15170	Motor-Fan (Card Cage Fan)
119.		DUCT-FAN-PCB (Card Cage Fan Duct)

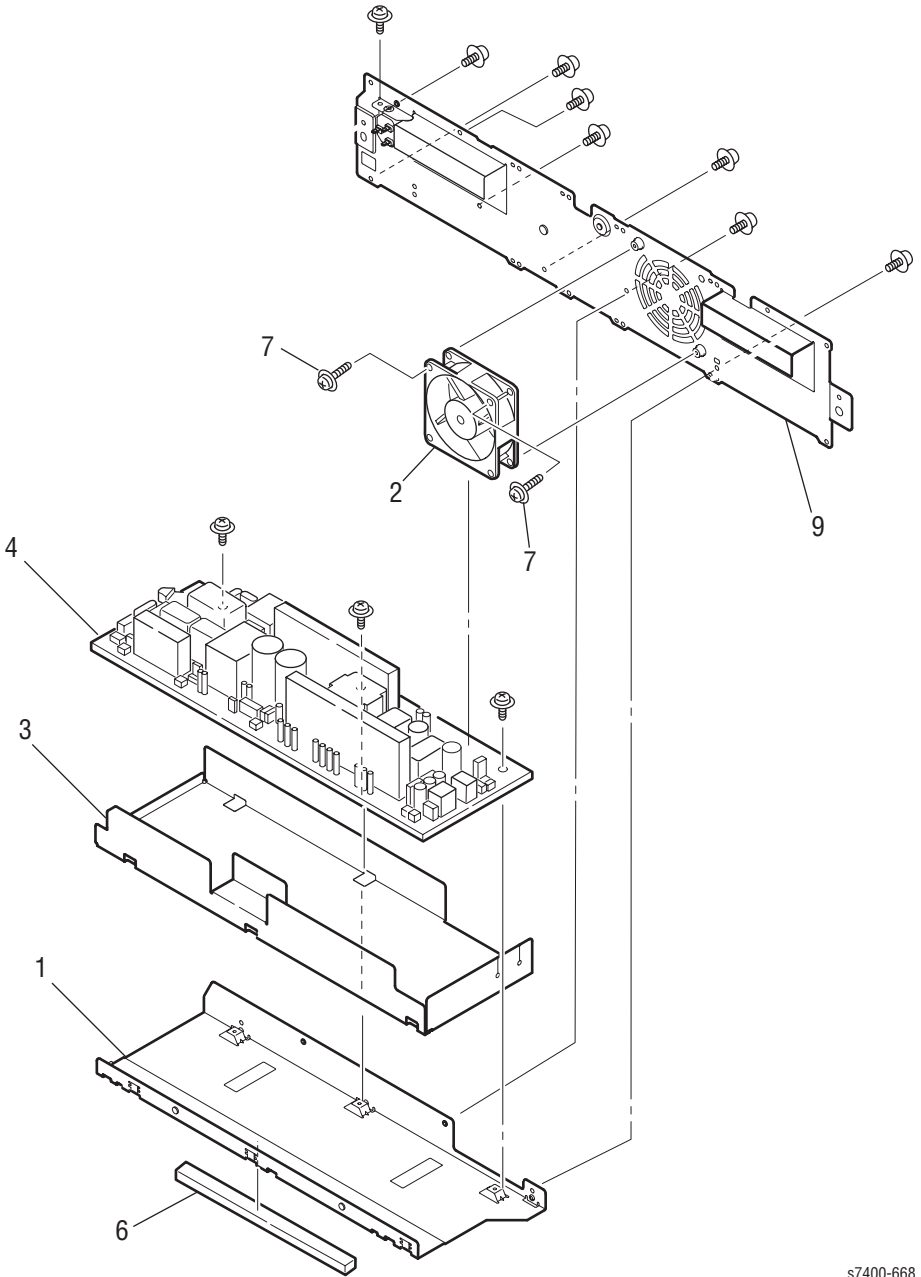
Parts List 2.1 Printer - Service Parts List

No.	Part Number	Name/Description
120.	802K95170	Cover Assy.-Top
121.		Spring-Comp(Joboff)
122.		Cover-Duct (R)
123.	802K93890	Cover Assy.-Front (Front Door)
124.	802K93900	Cover Assy.-FU (Side Output Tray)
125.		Cover-Guard (L) (Left Front Cover)
126.		Cover-Guard(Front) (Upper Front Cover)
127.		Cover-Side(L) (Left Side Cover)
128.		Cover-Side(L)Rear (Left Rear Cover)
129.		Cover-Side(R) (Right Side Cover)
130.		Cover-Side(R)Rear (Right Rear Cover)
131.		Cover-Rear (Lower Rear Cover)
132.	802K93860	Cover Assy.-OP Panel
133.		Film-FG
134.		TW-VF-6-0.1X0.8-930 CONN PAR- -
135.		Guard-R (Basket Assembly Right Support Rail Cover)
136.		Cup_Screw (S Tight M3) (included in Screw Kit)
137.		Cup_Screw A (included in Screw Kit)
138.		TappingScrew-B2 L=8 (included in Screw Kit)
139.		Stay-Rear-MPT (Rear Door A Hinge)
140.		Ring
141.		Ring
142.		SMCD-20-370-AD-P1.0 CONN PAR- -
143.		CONN Cord-AMP10P-AMP9P
144.		292254-9 Connector-Plug-
145.		CONN Cord-JST3P-JST3P
146.		OR-HAL
147.		Cover-OP Panel
148.		Limiter-Screw
149.		Cover-Cable-Heat B
150.		Guide-Cable_CU
151.		Clamp-Cable

Parts List 2.1 Printer - Service Parts List

No.	Part Number	Name/Description
152.		Clamp-Cable
153.		Cover-Middle (Waste Toner Motor Cover)
154.		Shaft-Cover
155.		Cover-Sensor(S2S) (Front Sensor Board Cover)
156.		Plate-Support (Feeder Brace)
157.		Cup_Screw A (included in Screw Kit)
158.		Limiter-Screw
159.		Code-Guide-Receive
160.		Plate-FG-Rear
161.		Spring-Torsion-FG
162.		Plate-Holder-Detent-L
163.		Plate-Holder-Detent-R
164.		Lever-Detent
165.		Spring-Detent
166.		Post-Detent
167.		Plate-FG-T-Shaft

Parts List 3.1 LVPS

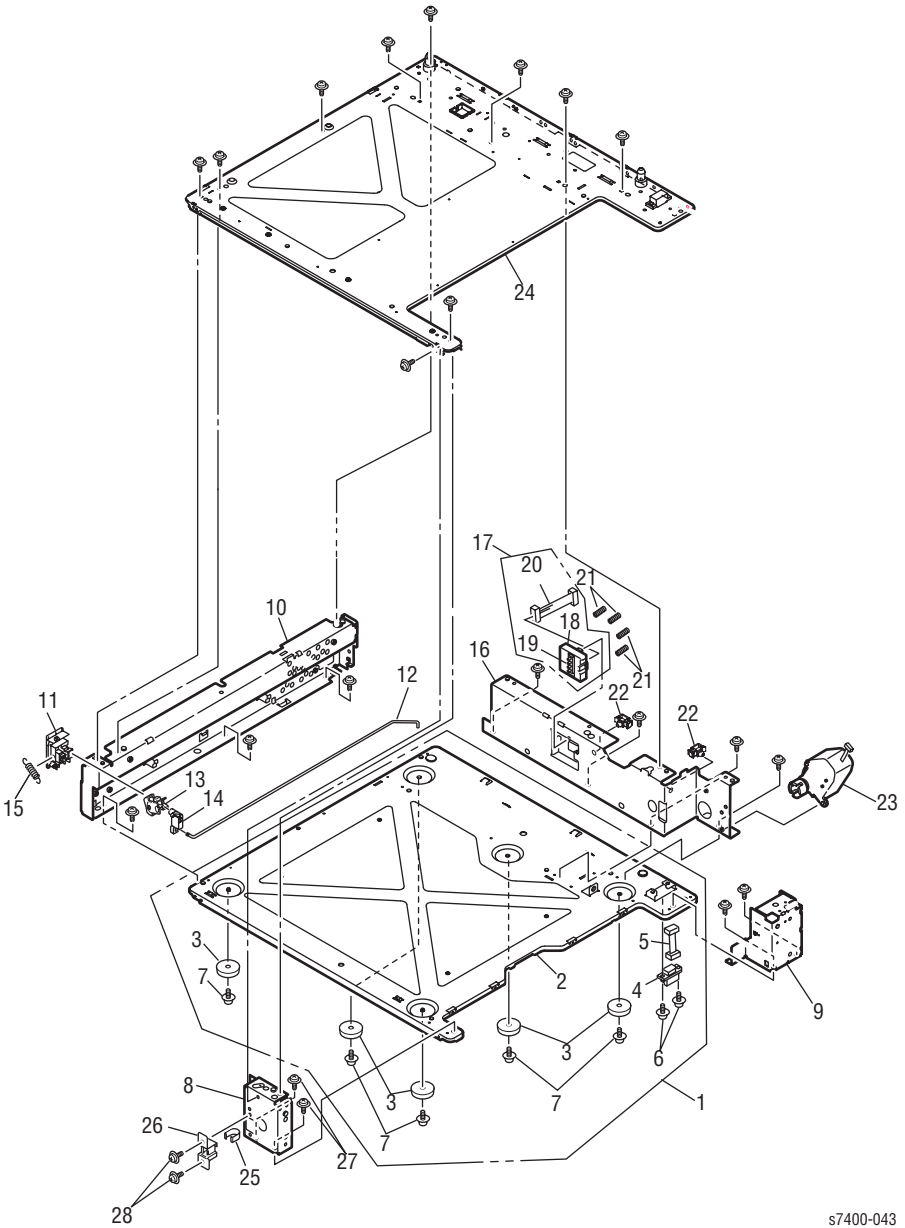


s7400-668

Parts List 3.1 LVPS - Service Parts List

ID No.	Part Number	Name/Description
0.	015K77470	Plate-Power Assembly
2.	127E15130	Motor-Fan (LVPS Fan)
3.		Film-Insulation
4.		PWR unit-ACDC Switch
5.		Cup_Screw (S Tight M3) (included in Screw Kit)
6.		Gasket
7.		Screw (SW+2W) (included in Screw Kit)
8.		Screw (SW+2W) (included in Screw Kit)
9.		Plate-Rear-Base-Caulking
10.		Cup_Screw A (included in Screw Kit)

Parts List 4.1 Base Assembly

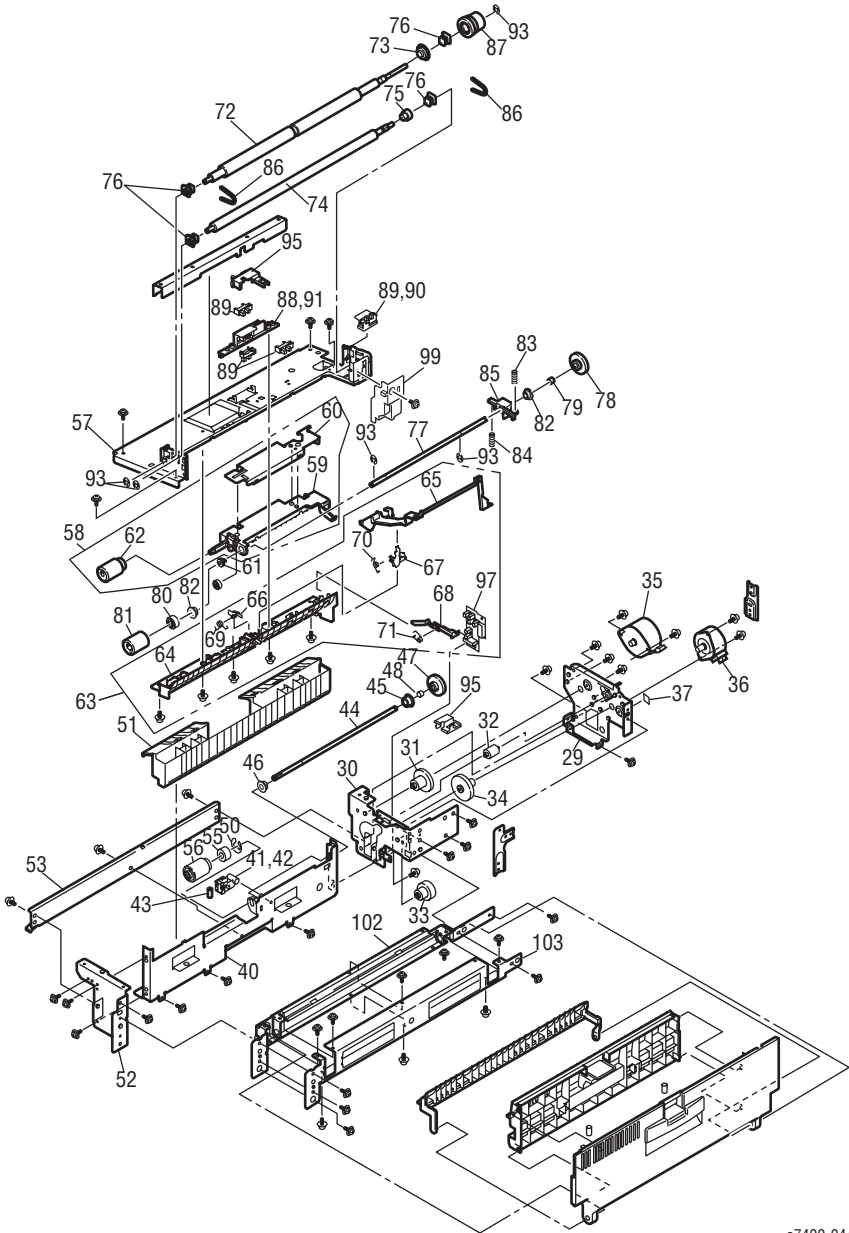


s7400-043

Parts List 4.1 Base Assembly - Service Parts List

No.	Part Number	Name/Description
0.	801K27780	Base Assembly
1.		Plate Assy.-Bottom (with 2~7)
2.		Plate-Bottom
3.		Rubber-Foot
4.		IMSA-9714N-14Z02 Connector-SQR (Optional Tray Connector)
5.		CONN Cord-JST10P,AMP4P-AMP7PX2 (OPTION Harness)
6.		Cup_Screw A (included in Screw Kit)
7.		Cup-Screw-E L=6 (included in Screw Kit)
8.		Pillar-F
9.		Pillar-R
10.		Plate-Stay-Caulking
11.		Cover-switch
12.		Shaft-Switch (Power Switch Linkage)
13.		Switch-AC (Power Switch Actuator)
14.		Link-Switch (Power Switch Link)
15.		Spring-Switch
16.		Plate-Rear
17.	130K74220	Sensor Assy.-(with 18~20) (Paper Size Switch Assy)
18.		Holder-PS-Switch
19.		HS12-0001 Switch-Push (Paper Size Switch)
20.		CONN Cord-AMP5-AMP5P (PSIZE Harness)
21.		Spring-PS
22.		Clamp-Cable
23.		Geard-Motor(1st) (Lift Motor)
24.		Plate-Top-Welding
25.		Plate-Rock
26.		Lock-Cassette
27.		Cup_Screw (S Tight M3) (included in Screw Kit)
28.		Cup_Screw A (included in Screw Kit)

Parts List 4.2 Feeder Assembly



s7400-044

Parts List 4.2 Feeder Assembly - Service Parts List

ID No.	Part Number	Name/Description
0.	050K61890	Tray 2 Feeder Assembly
29.		Plate-Motor-A
30.		Plate-Motor-B
31.		Gear-Hopping-Z68-19
32.		Gear-Idle-Retard
33.		Gear-Feed-Z53-18
34.		Gear-Idle-Z48
35.	127E15660	Motor-Pulse (Feed Motor)
36.	127E15670	Motor-Pulse-Regist (Registration Motor)
37.		Clamp-Cable
38.		CONN Cord-AMP8P-JST4P,AMP4P (REGHOP Harness)
39.		Cup_Screw (S Tight M3)
40.		Plate-Retard-Caulking
41.		Lever-Retard
42.		Holder-Spring
43.		Spring-Retard
44.		Shaft-Retard
45.		Bearing-Metal
46.		Bearing-Metal
47.		Gear-Z38(one-way) (included in Gear Kit)
48.		Collar
49.		Pin-Spring
50.		Ring
51.		Guide-Paper-Lower
52.		Plate-Retard-F
53.		Plate-Rail-R
54.		Cup_Screw (S Tight M3)
55.		Torque-Limiter-OTLV
56.		Roller-Feed
57.		Plate-Feed
58.		Roller Assy.-Pick-Up (with 59~62)

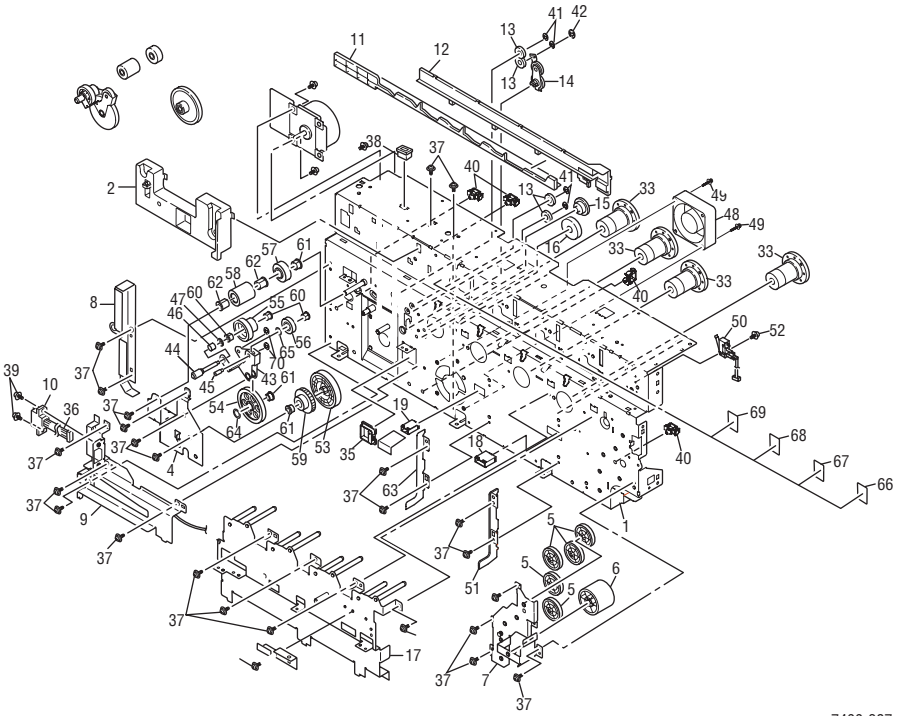
Parts List 4.2 Feeder Assembly - Service Parts List

ID No.	Part Number	Name/Description
59.		Frame-PickUp
60.		Plate-PickUp
61.		Gear-Idle-Z20
62.		Roller-Pick-Up
63.		Frame Assy.-Feed (with 63~71)
64.		Frame-Feed
65.		Lever-End
66.		Lever-Regist
67.		Lever-Hopping
68.		Lever-Near-End
69.		Spring-Lever-Regist
70.		Spring-Lever-Hopping
71.		Spring-Near-End
72.		Roller-Regist1
73.		Gear-Regist
74.		Roller-Pressure1
75.		Gear-PRB
76.		Bearing-Regist
77.		Shaft-Feed
78.		Gear-Z38(one-way)
79.		Collar
80.		Gear-Feed
81.		Roller-Feed-NOW
82.		Bearing-Metal
83.		Spring-PickUp
84.		Spring-Release
85.		Lever-Release
86.		Spring-Regist
87.		Gear-Assy-Clutch
88.		Holder-Photo-Sensor
89.		Photo-Interrupter (No Paper, Low Paper, Door B Detect Sensor)
90.		Holder-Co-Sensor (Door B Detect Sensor Holder)

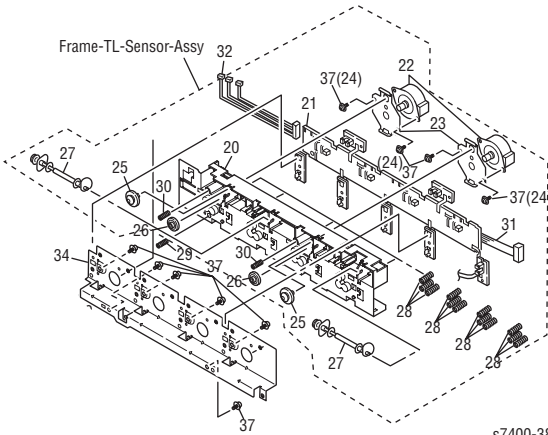
Parts List 4.2 Feeder Assembly - Service Parts List

ID No.	Part Number	Name/Description
91.		CONN Cord-AMP9P-AMP3PX3 (TRYSNS2 Harness)
92.		TappingScrew-B2 L=8
93.		Ring
94.		Spring-FG-CL1
95.		Holder-PESNS
96.		AMP3P-AMP3P CONN Cord-Wire (PAPEND Harness)
97.		OR-S2C (Feeder Board)
98.		CONN Cord-AMP10P-AMP10P (TRYSNS1 Harness)
99.		Cover-SNS
100.		Cup_Screw (S Tight M3) (included in Screw Kit)
101.		BU03P-TR-PC-H(LF) Connector-Plug-
102.		Plate-Grip
103.		Plate-Grip-Sub
104.		Cup_Screw (S Tight M3) (included in Screw Kit)
105.		Cup_Screw A (included in Screw Kit)
106.		Cup_Screw (S Tight M 3) (included in Screw Kit)
107.		Roller-set-723
108.		Roller-set-723
109.		Roller-set-723
110.		Roller-set-723

Parts List 5.1 Xerographics Drive



s7400-387



s7400-388

Parts List 5.1 Xerographics Drive - Service Parts List

No.	Part Number	Name/Description
0.	007K14170	Side-R-Assy
1.		Plate-Side-R-Caulking
2.		Guide-Bracket-FU
3.		Gear-Z17-FU (included in Gear Kit)
4.		Plate-BKT-Fuser
5.		Gear-idle(Z39) (included in Gear Kit)
6.		Gear-Idle(Z44) (included in Gear Kit)
7.		Plate-Side(RER)Caulking
8.		Plate-Stacker-Rear
9.		Plate-Rail-Rear
10.		IMSA-9714N-14Z02 Connector-SQR (Duplex Unit Connector)
11.	010E06290	Slider-Liftup-R (Lift Uplink)
12.		Holder-Slider-R
13.		Gear-Idle-Link (included in Gear Kit)
14.		Planet Assy.-R
15.		Gear-Idle-Liftup-Z20-30 (included in Gear Kit)
16.		Gear-Idle-Lift-UP-Z37 (included in Gear Kit)
17.		Bracket-Inner-Caulking
18.		Guide-Cable-A
19.		Guide-Cable-B
20.		Guide-Rear (Toner Supply Housing)
21.	960K33020	OR-SGG (Imaging Unit Sensor Board)
22.	127E15180	Motor-Pulse (Toner Motors)
23.		Plate-Motor
24.		Cup_Screw (S Tight M3) (included in Screw Kit)
25.		Gear-Z14-42 (included in Gear Kit)
26.		Gear-Z14-35 (included in Gear Kit)
27.	008E08270	Camshat (Toner Supply Camshaft)
28.	809E71630	Spring-ID-Fuse (Imaging Unit Contact Springs)
29.	809E71640	Spring-FG
30.	809E71810	Spring-Press-FG

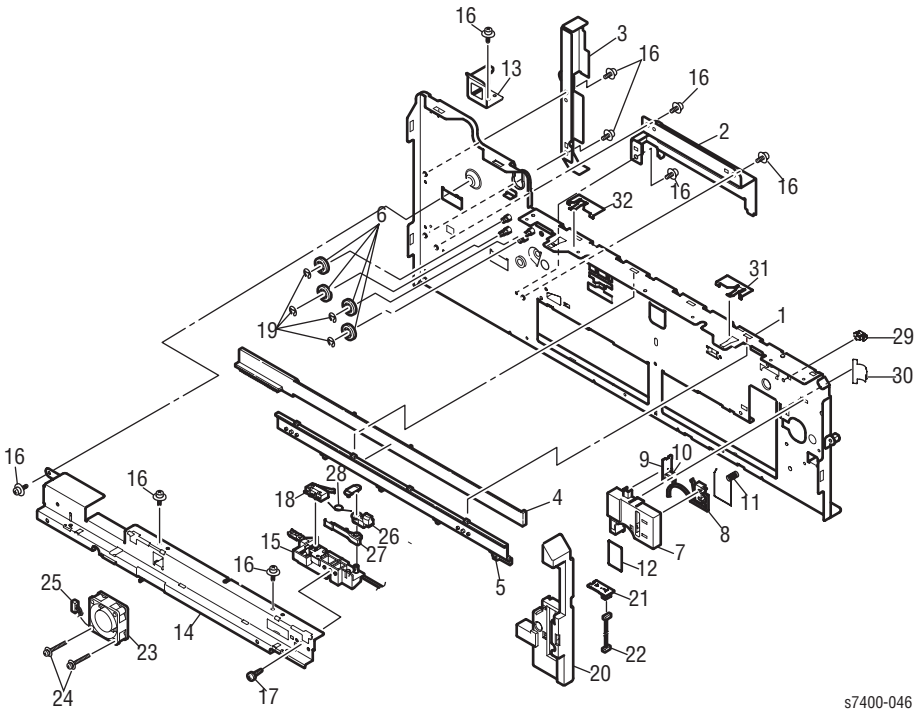
Parts List 5.1 Xerographics Drive - Service Parts List

No.	Part Number	Name/Description
31.		CONN Cord-JST9P-AMP3P,JST3PX2 (IDFAN Harness)
32.		CONN Cord-JST24P-JST24P (CTG0 Harness)
33.		Gear-Idle-Drum (included in Gear Kit)
34.		Plate-Bracket-Outer
35.		Guide-Cable-FU
36.		CONN Cord-AMP13P-AMP7P,AMP7P (DUPLEX Harness)
37.		Cup_Screw (S Tight M3) (included in Screw Kit)
38.		292254-3 Connector-Plug-
39.		Cup_Screw A (included in Screw Kit)
40.		Clamp-Cable
41.		Ring
42.		Ring
43.		Plate-Planet
44.		Post-Planet-A
45.		Post-Planet-B
46.		Spring-Planet
47.		Washer
48.	127E15140	Motor-Fan (Transfer Unit Fan)
49.		Screw (SW+2W) (included in Screw Kit)
50.		CONN Cord-JST5P-SW (Door A Interlock Switch)
51.		Plate-Support-D
52.		Screw-PSW2W2-10C
53.		Gear-Z77-FU (included in Gear Kit)
54.		Gear-Z47-FU
55.		Gear-Z14-Z24-FU
56.		Gear-Planet-Z16-FU (included in Gear Kit)
57.		Gear-Z20-FU (included in Gear Kit)
58.		Gear-Z17-FU (included in Gear Kit)
59.		Gear-Z16-FU (included in Gear Kit)
60.		Bush-4
61.		Bush-6
62.		Bush-6

Parts List 5.1 Xerographics Drive - Service Parts List

No.	Part Number	Name/Description
63.		Plate-Support-D2
64.		Spacer-Coupling(STW8.0-0.13)
65.		Spacer-Coupling
66.		Label-ID-Position
67.		Label-ID-Position-Y
68.		Label-ID-Position-M
69.		Label-ID-Position-C

Parts List 6.1 Front Assemblies

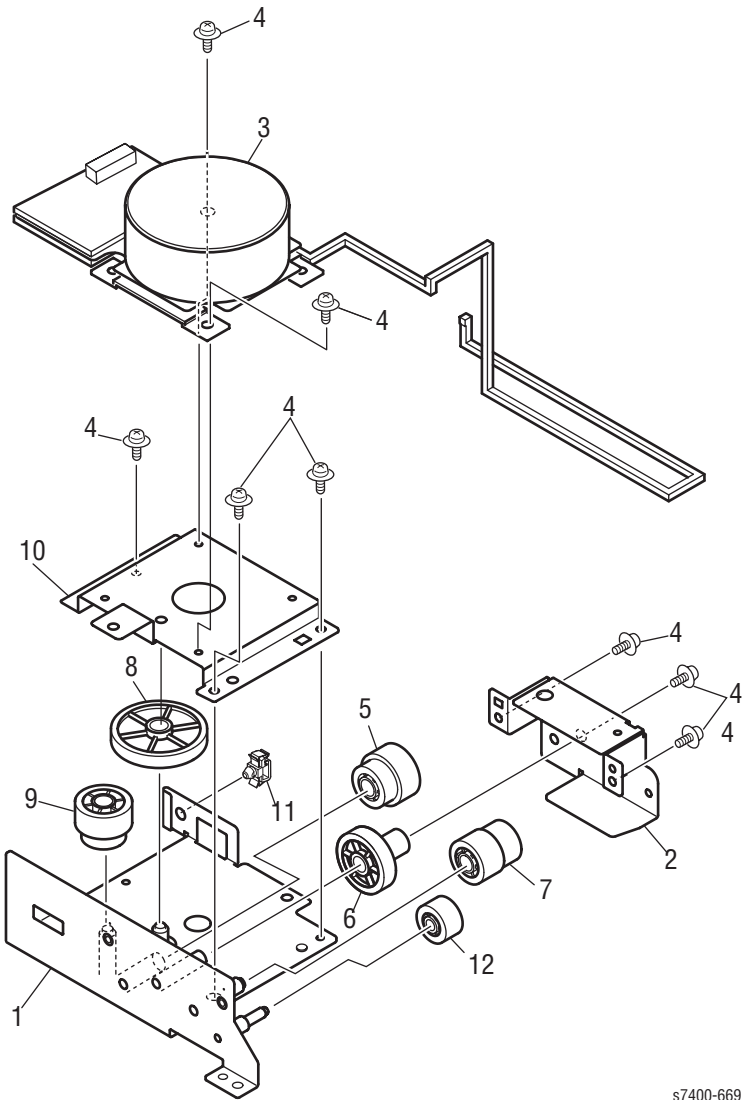


s7400-046

Parts List 6.1 Front Assemblies - Service Parts List

No.	Part Number	Name/Description
0.	674K01380	Side-F-Assy
1.		Plate-Side-F-Caulking
2.		Plate-Rail-Front
3.		Plate-Stracker-Front
4.		Slider-LiftUP-F
5.		Holder-Slider-F
6.		Gear-Idle-Link
7.		Bracket-Sensor- (Sensor Housing)
8.		CONN Cord-AMP2P-SW (Waste Toner Reservoir Detect Switch)
9.		OR-HAL (Waste Toner Reservoir Full Sensor)
10.		CONN Cord-AMP3P-JST3P (CN4 Harness)
11.		Spring-FG-SW-F
12.		Label-Cover-OPT
13.		Plate-Guide(L)
14.		Plate-Base(OP)
15.		Holder-Cover-Open-SW (Top Cover Interlock Switch Holder)
16.		Cup_Screw (S Tight M3) (included in Screw Kit)
17.		TappingScrew-B2 L=8 (included in Screw Kit)
18.		CONN Cord-JST2P-SW (Top Cover Interlock Switch)
19.		Ring
20.		Cover-Guard(R) (Right Front Cover)
21.		OR-HAL (Waste Toner Reservoir Auger Rotation Sensor)
22.		CONN Cord-JST6P-JST3PX2 (HALL1 harness)
23.	127E15160	Motor-Fan (Imaging Unit Fan)
24.		Screw (SW+2W) (included in Screw Kit)
25.		BU03P-TR-PC-H(LF) Connector-Plug-
26.		Lever-CO-A
27.		Lever-CO-B
28.		Spring-Torsion-CO
29.		Clamp-Cable
30.		Clamp-Cable-Film
31.		Plate-FG-Top-F-A
32.		Plate-FG-Top-F-B

Parts List 7.1 Waste Toner Drive Assembly

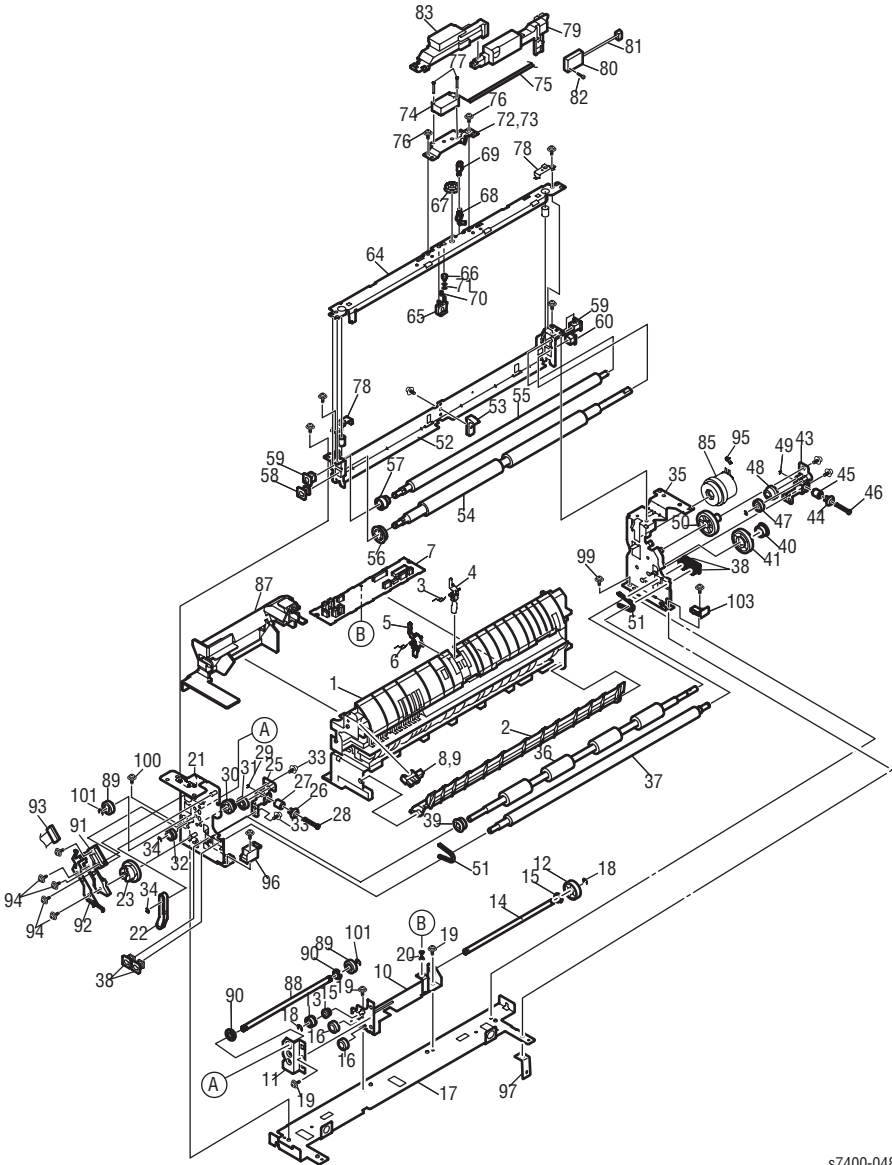


s7400-669

Parts List 7.1 Waste Toner Drive Assembly - Service Parts List

No.	Part Number	Name/Description
0.	007K14020	Duct Drive Assy
1.		Plate-Bracket-Motor Caulking
2.		Plate-Motor-Sub
3.		Motor-DC(DISTONER) (Wase Toner Motor)
4.		Cup_Screw (S Tight M3) (included in Screw Kit)
5.		Gear-WT-Z18-Z20
6.		Gear-WT-Z30
7.		Gear-WT-Z15-Z21
8.		Gear-WT-Z56
9.		Gear-WT-Z18-Z25
10.		Plate-Motor-DC
11.		Clamp-Cable
12.		Gear-WT-Z14

Parts List 8.1 Registration Assembly



s7400-048

Parts List 8.1 Registration Assembly - Service Parts List

No.	Part Number	Name/Description
0.	050K61740	Feeder Unit Registration
1.		Frame-Regist
2.		Guide-Regist
3.		Spring-Torsion(IN2) (Registration Sensor #1 Actuator Spring)
4.		Lever-Sensor(IN2) (Registration Sensor #1 Actuator)
5.		Lever-Sensor(WR) (Transfer Unit Entrance Sensor Actuator)
6.		Spring-Torsion(WR) (Transfer Unit Entrance Sensor Actuator Spring)
7.	960K33030	OR-S2S (Front Sensor Board)
8.		Photo-Interrupter 9= (Tray 1 (MPT) Home Position Sensor)
9.		CONN Cord-AMP3P-AMP3P (MPTHOME Harness)
10.		Plate-BKT-Connect A Caulk
11.		Plate-BKT-Connect B
12.		Gear-Connection-Z21
13.		Gear-Connection-Z14
14.		Shaft-Connection A
15.		Bush
16.		Gear-Idle-D
17.		Plate-Base
18.		Ring
19.		Cup_Screw (S Tight M3) (included in Screw Kit)
20.		Spring-Earth(S2S)
21.		Plate-Front(Regist)Caulking
22.		Stay-MPT
23.		Gear-Coupling-A-Assy
24.		Plate Assy.-Link (Front) (with 25~29)
25.		Plate-Link(Front)-Caulking
26.		Gear-Bevel(Z14)
27.		Gear-Worm(P2)-Front
28.		Shaft-Warm
29.		Ring
30.		Gear-Wheel(Z30)-Front
31.		Gear-Idle(Z16)
32.		Gear-Idle-D
33.		Cup_Screw (S Tight M 3) (included in Screw Kit)
34.		Ring

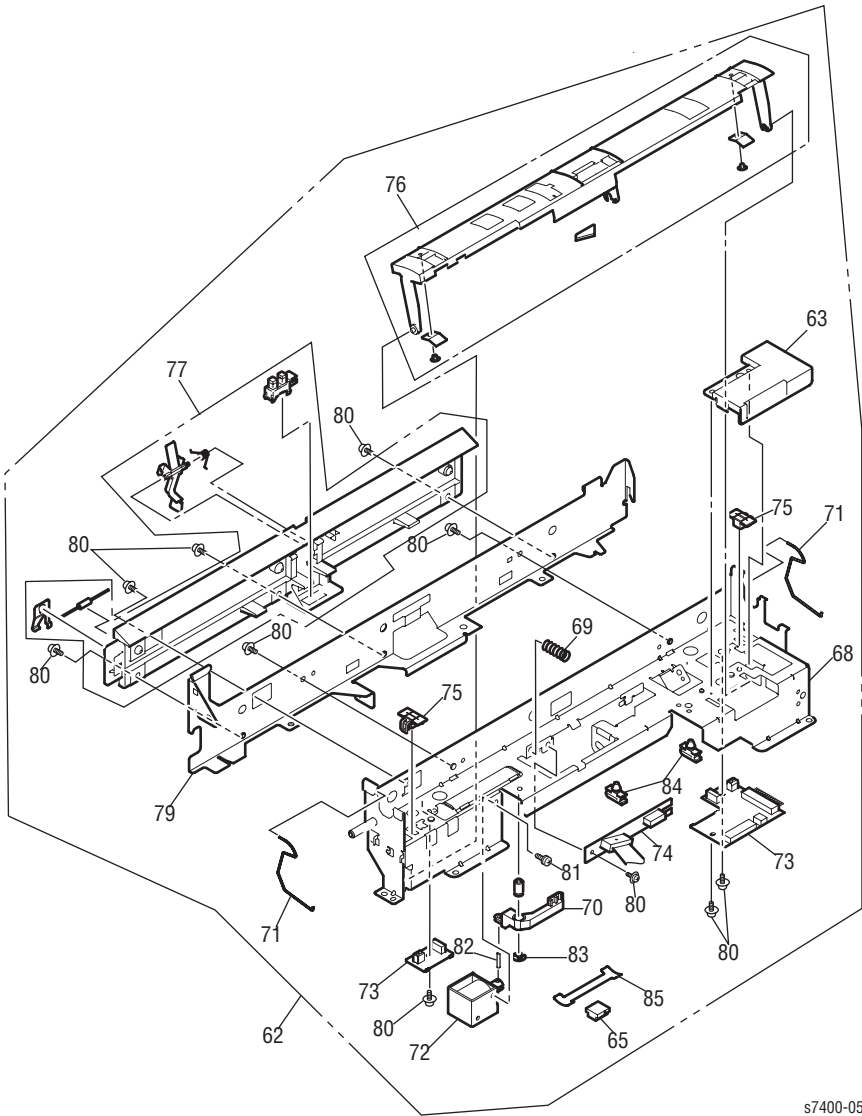
Parts List 8.1 Registration Assembly - Service Parts List

No.	Part Number	Name/Description
35.		Plate-Rear(Regist)Caulking
36.		Roller-Feed(M)
37.		Roller-Pressure(M)
38.		Bearing-Regist
39.		Gear-OnewayBevel(Z20) (included in Gear Kit)
40.		Gear-OnewayBevel(Z20) (included in Gear Kit)
41.		Gear-Feed-Z36
42.		Plate Assy.-Link (Rear) (with 43~49)
43.		Plate-Link(Rear)Caulking
44.		Gear-Bevel(Z14)
45.		Gear-Worm(P2)-Rear
46.		Shaft-Warm
47.		Gear-Idle(Z16)
48.		Gear-Wheel(Z30)-Rear
49.		Ring
50.		Gear-Idle(Z37)
51.		Spring-Pressure
52.		Plate-Holder(Regist)
53.		Stage-Pickup 723
54.		Roller-Regist(2)
55.		Roller-Pressure(2)
56.		Gear-Regist
57.		Gear-PRB
58.		Bearing-Regist
59.		Bearing-Regist2
60.		Bearing-Regist(CL2)
61.		
62.		Cup_Screw (S Tight M3) (included in Screw Kit)
63.		Ring
64.		Plate-Top(Regist)Caulking
65.		Lever-Pickup 723
66.		Gear-SH1
67.		Gear-SH2
68.		Gear-SH3
69.		Cap-SH
70.		Spring-SH1

Parts List 8.1 Registration Assembly - Service Parts List

No.	Part Number	Name/Description
71.		Spring-SH2
72.		Spring-Detent-Re
73.		Plate-Thickness
74.	121E20540	D6E-K SENSOR-Magnet (Media Thickness Sensor)
75.		CONN Cord-AMP4P-JST3P (PTHICK Harness)
76.		Cup_Screw (S Tight M3) (included in Screw Kit)
77.		Screw
78.		Plate-Pressure
79.		Cover-Thickness
80.		HSU-06A1T1 Temperature/Humidity Sensor
81.		CONN Cord-JST4P-JST4P (ENV Harness)
82.		TappingScrew-B2 L=8 (included in Screw Kit)
83.		Cover-Thickness(Front)
84.		Cup_Screw (S Tight M 3) (included in Screw Kit)
85.	007K14070	Gear Assy.-CL(Reg2) (Registration Clutch #1) (included in Gear Kit)
86.		Pin
87.		Duct-Fan
88.		Shaft-Connection A
89.		Gear-Connection-Z18
90.		Bush
91.		Bracket-Contact
92.		Plate-FG-REG
93.		MRH9355/HV-38-100MKRES-MET solid -
94.		TappingScrew-B2 L=8 (included in Screw Kit)
95.		Spring-FG(CL)
96.		Spacer-Lock-F
97.		Plate-Support
98.		Cup_Screw (S Tight M3) (included in Screw Kit)
99.		Cup_Screw A
100.		TappingScrew-B2 L=8 (included in Screw Kit)
101.		Ring
102.		Ring

Parts List 9.1 Registration Sensor Assembly



s7400-050

Parts List 9.1 Registration Sensor Assembly - Service Parts List

No	Part Number	Name/Description
62.	130K74230	Sensor-Regist- Assy
63.		Cover-Connector (Registration Sensor Board Cover)
64.		CONN Cord-AMP2P-AMP2P
65.		292254-2 Connector-Plug-
66.		CONN Cord-AMP14P-AMP14P (CSNS Harness)
67.		Sensor-Regist-Sub-Assy (with 68~85)
68.		Plate-Po-Caulking
69.		Spring-Shutter
70.		Lever-Solenoid
71.		Spring-Belt-Fix
72.		DC-Solenoid (Registration Shutter Solenoid)
73.		OR-S2Z (Registration Sensor Board)
74.		GP2TC2 SENSOR-Density - (ADC Sensor)
75.		Plate-Guard-Sensor (Registration Sensor Covers)
76.		Shutter- Assy (Registration Shutter)
77.		TARUMI-Sensor Assy (Media Slack Sensor Assy)
78.		CONN Cord-AMP12P-MOLEX5P,AMP3P,AMP3P (DSNS Harness)
79.		Plate-Beam
80.		Cup_Screw (S Tight M3) (included in Screw Kit)
81.		Screw (SW+2W) (included in Screw Kit)
82.		Pin
83.		Ring
84.		Clamp-Cable

Parts List 10.1 Tray 1 (MPT) Assembly - Service Parts List

No	Part Number	Name/Description
0.	050K61490	Fdr-Unit-MPT
1.		Frame-MPT
2.		Photo-Interrupter (Feed -Out Sensor #1)
3.		Photointerrupter(REWORK) (OHP Sensor)
4.		Lever-Handle-MPT
5.		Spring-Handle
6.		Lever-Hopping (Feed -Out Sensor #1 Actuator)
7.		Plate-Earth(MPT)Front
8.		Plate-Earth(MPT)Rear
9.		Cover-Sensor(MPT) (Sensor Cover)
10.	032K04470	Guide Assy.-Friction
11.		Guide-Sheet(MPT)
12.		Shaft-Retard(Drive)
13.		Spring-Reatrd
14.		Plate-Retard
15.		Shaft-Retard(Driven)
16.		Roller-Retard
17.		Plate-Arm(Front)Caulking
18.		Gear-Link(Z27)Front
19.		Lever-Link
20.		Lever-Arm
21.		Holder-Arm
22.		Spring-Arm
23.		Plate-Arm(Rear)Caulking
24.		Gear-Link(Z27)Rear
25.		Gear-Link-Z12
26.		Shaft-Link
27.		Spacer-Coupling
28.		CS-RING (CS3-SUS)
29.		Torque-Limiter-OTLV
30.		Pin-Spring

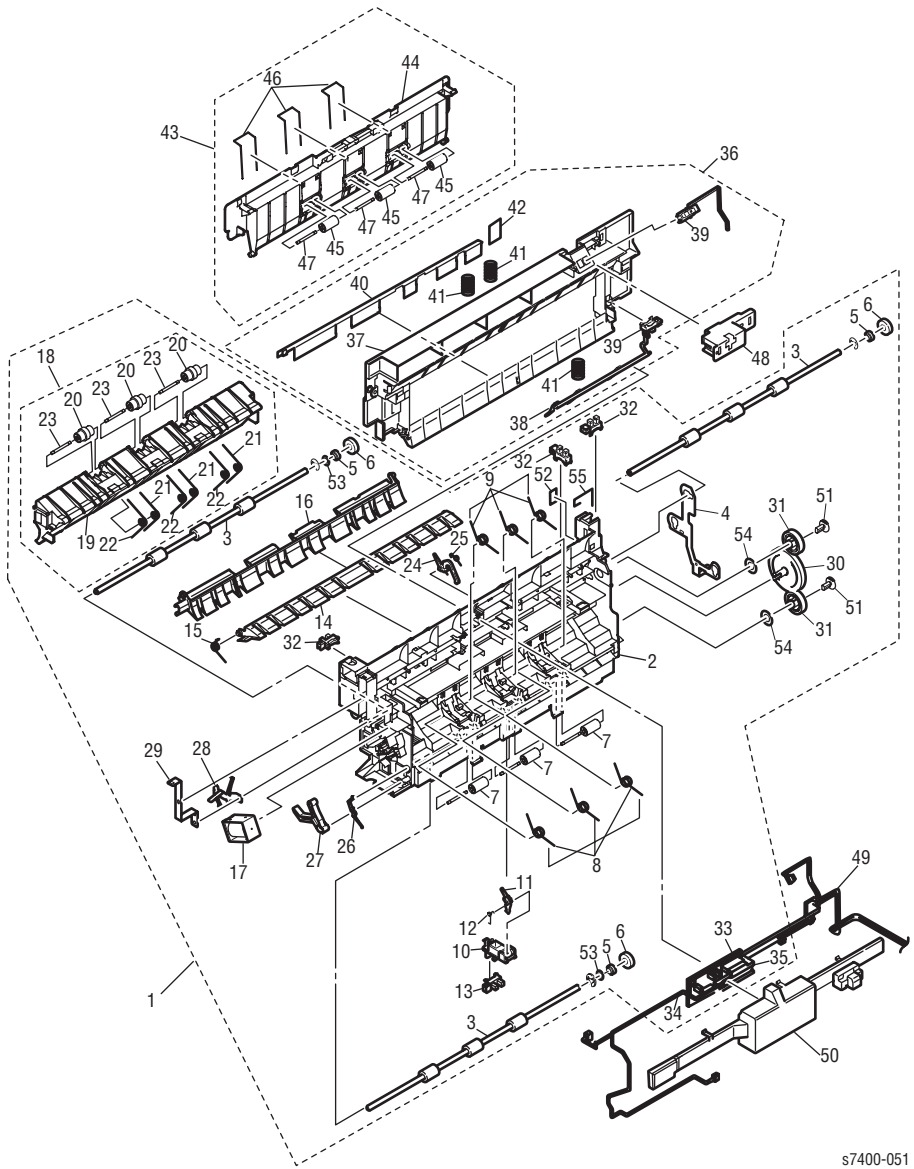
Parts List 10.1 Tray 1 (MPT) Assembly - Service Parts List

No	Part Number	Name/Description
31.		Plate-Support(Arm)
32.		Photo-Interrupter (No Paper Sensor)
33.		CONN Cord-JST3P-AMP3P (MPTPAP Harness)
34.		TappingScrew-B2 L=8 (included in Screw Kit)
35.		Frame-Feeder
36.		Photo-Interrupter (Level Sensor)
37.		Lever-PaperEnd(MPT) (Level Sensor Actuator)
38.		Spring-Earth(Feeder)
39.		Plate-Earth(Feeder)
40.		CONN Cord-AMP10P-AMP3PX2,JST3P (MPTSNS Harness)
41.		Holder-Pickup
42.		Gear-Planet(Z20)-HP
43.	059K51070	Roller Assy.-Pickup (Pick Roller)
44.		Spring-Pickup
45.		Stay-Hopper(Front)
46.		Stay-Hopper(Rear)
47.		Shaft-Feed
48.		Bearing-Feeder
49.		Bearing-Metal
50.		Gear-Oneway(Z38/Z53)
51.		Gear-Feed(Z25)
52.		Pin
53.		Roller-Feed(OW) (Feed Roller)
54.		Guide-Cable
55.		Hopper Assy.-MPT (with 56~59, 69~71)
56.		Spring-FG
57.		Tray-SubHopper
58.		Supporter-Sheet
59.		Sheet-Recieve-Assy.
60.		Frame-Hopper-MPT
61.		Plate-Beam-Hopper
62.		CS-2

Parts List 10.1 Tray 1 (MPT) Assembly - Service Parts List

No	Part Number	Name/Description
63.		Guide-Paper(MPT)-R (with 60~68)
64.		Guide-Paper(MPT)-F
65.		PINION GEAR B
66.		WAVE WASHER B
67.		Screw-T2D3-5
68.		Plate-Friction
69.		Lever-Lock(MPT)
70.		Spring-Lever(MPT)
71.		TappingScrew-B2 L=8 (included in Screw Kit)
72.		Link-F(MPT)
73.		Plate-Hook-Front
74.		Link-R(MPT)
75.		Post-Stay_Front
76.		Post-Stay_Rear
77.		Plate-Cover(Feeder) (Feed Roller Assy Cover)
78.		Bush
79.		Lever-Paper(MPT) (No Paper Sensor Actuator)
80.		Spring-Paper(MPT)
81.		TappingScrew-B2 L=8 (included in Screw Kit)
82.		Cup_Screw (S Tight M3) (included in Screw Kit)
83.		Roller-set-MPT-723

Parts List 11.1 Exit Assembly



s7400-051

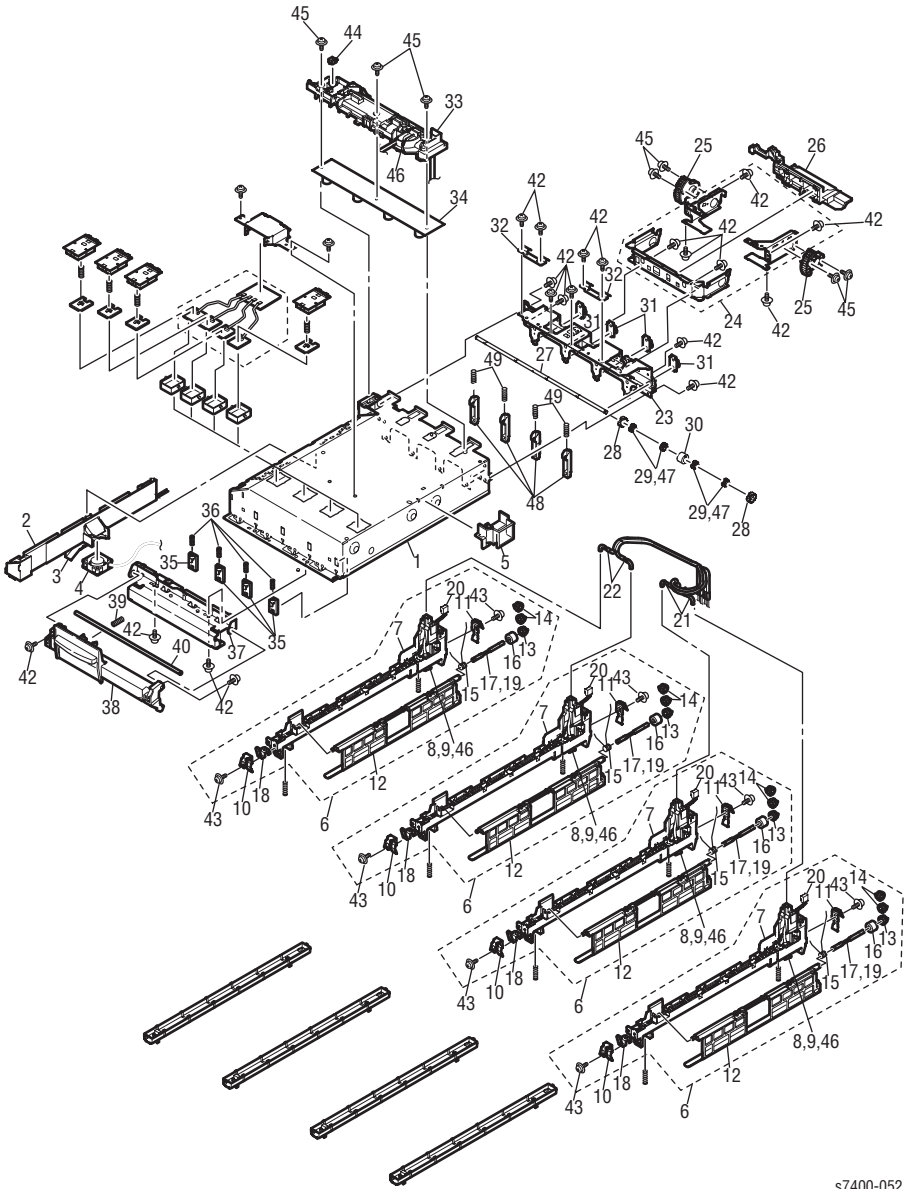
Parts List 11.1 Exit Assembly - Service Parts List

No.	Part Number	Name/Description
0.	054K37720	Eject Assy
1.		Guide-Eject-Assy
2.		Guide-Eject
3.		Roller-Eject
4.		Plate-FG_Eject-R
5.		Bush
6.		Gear-Eject_Z17
7.		Roller-Pinch-Eject
8.		Spring-Torsion-Eject
9.		Spring-Torsion-Eject
10.		Holder-Lever
11.		Lever-Exit Sensor (Fuser Exit Sensor Actuator)
12.		Spring-SNS(F/R) (Fuser Exit Sensor Actuator Spring)
13.		Photo-Interrupter (Fuser Exit Sensor)
14.		Lever-Separator_DUP (Duplex Gate)
15.		Spring-Separator_DUP (Duplex Gate Spring)
16.		Lever-Separator_Sheet (Exit Gate)
17.		DC-Solenoid-10SL-144 (Exit Gate Solenoid)
18.		Guide-Sheet-FU-Assy (with 19~23)
19.		Guide-Sheet-FU
20.		Roller Assy.-FU
21.		Spring-Torsion-FU
22.		Spring-Torsion-FU
23.		Shaft-Pinch
24.		Lever-Paper-END (Job Offset Trailing Edge Sensor Actuator)
25.		Spring-Paper-End(joboff)
26.		Plate-FG-Eject-L3
27.		Lever-Link-DUP (Duplex Gate Actuator)
28.		Plate-FG-Eject-L1
29.		Plate-FG-Eject-L2
30.		Gear-Idle-Eject-Z54

Parts List 11.1 Exit Assembly - Service Parts List

No.	Part Number	Name/Description
31.		GEAR-IDLE-Eject_Z27
32.		Photo-Interrupter (Side Output Tray Detect Sensor)
33.		OR-S2R (Rear Sensor Board)
34.		CONN Cord-AMP6P-AMP3PX2 (COVSNS Harness)
35.		CONN Cord-AMP12P-AMP3PX4 (SNS Harness)
36.		Guide-Eject-Outer- Assy (with 37~42)
37.		Guide-Eject-Outer
38.		Lever-Stacker-Full-FU (Side Output Tray Stack Full Sensor Acuator)
39.		Photo-Interrupter (Top Output Tray Stack Full / Door E Detect Sensor)
40.		Sheet-Discharge(FU)
41.		Spring-Lock(Outer)
42.		Label-Cover-OPT
43.		Cover-Eject-Outer-Assy (with 44~47) (Door E)
44.		Cover-Eject-Outer
45.		Roller-Pinch-Eject
46.		Spring-Torsion-FD
47.		Shaft-Pinch
48.		Cover-SNS-FD (Top Output Tray Stack Full Sensor Cover)
49.		CONN Cord-AMP13P-AMP13P (RSNS Harness)
50.		Cover-Board (Rear Sensor Board Cover)

Parts List 12.1 LED Assembly



s7400-052

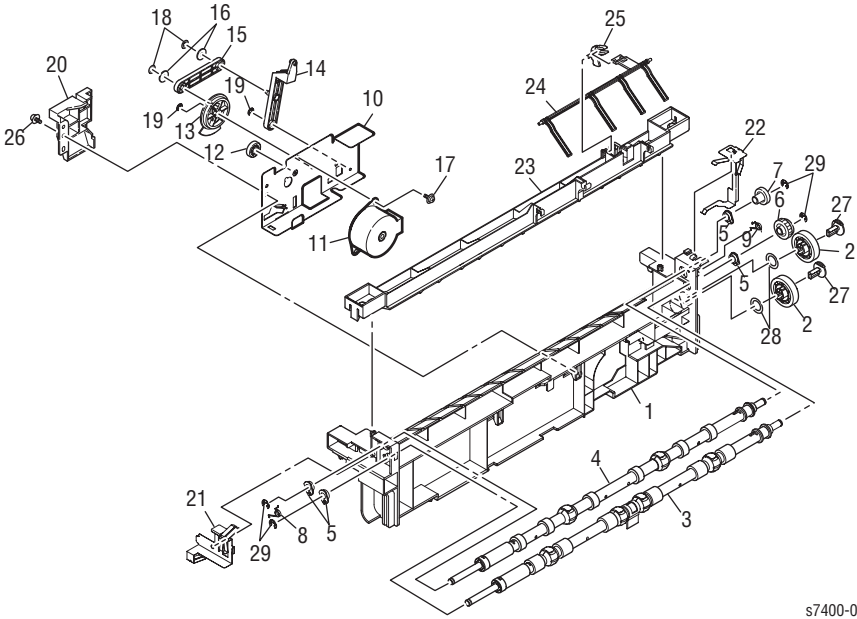
Parts List 12.1 LED Assembly - Service Parts List

No.	Part Number	Name/Description
0.	015K77670	Plate-Top-Assy (LED Assembly)
1.		Plate-Top-Welding
2.		Chamber-Duct-Top (Top Cover Fan Duct)
3.		Spoiler-FAN (Top Cover Fan Diffuser)
4.	127E15150	Motor-Fan (Top Cover Fan)
5.		Holder-FAN-Intake
6.	019K13060	Holder-Head- Assy (with 7~19) (LED Head Holder Assy)
7.		Holder-Head
8.		Clump-Cable-Head
9.		Spring-Torsion-100
10.		Plate-Contact-Head-F
11.		Plate-Contact-Head-R
12.		Plate-Shutter-LED1
13.		Gear-LED1
14.		Gear-LED4
15.		Spring-Torsion1
16.		Limiter-torque
17.		Post-shutter
18.		Plate-FG-Head-FS
19.		Pin
20.		CONN Cord-JST4P-JST4P (LEDPWR Harness)
21.		CONN Cord-JST10P-JST10P (LEDDATA Harness [YK])
22.		CONN Cord-JST10P-JST10P (LEDDATA Harness [CM])
23.		Plate-Top-Support
24.		Plate-Pivot-Welding
25.		Gear-Damper-TOP
26.		Code-Cover-Top
27.		Shaft-LED-Shutter
28.		Gear-LED2
29.		Gear-LED3
30.		Limiter-torque

Parts List 12.1 LED Assembly - Service Parts List

No.	Part Number	Name/Description
31.		Plate-FG-Top-R
32.		Plate-Clump-HCT
33.		Code-Guide-Top (LED Relay Board Cover)
34.		OR-S2H (LED Relay Board)
35.		Holder-Spring-ID
36.		Spring-Tension
37.		Plate-Lock-Caulking
38.		Lever-Top
39.		Spring-Lock
40.		Shaft-Support-Lock
41.		Cup_Screw A (included in Screw Kit)
42.		Cup_Screw (S Tight M 3) (included in Screw Kit)
43.		TappingScrew-B2 L=8 (included in Screw Kit)
44.		BU03P-TR-PC-H(LF)Connector-Plug-
45.		Cup_Screw A (included in Screw Kit)
46.		TYING CORD
47.		Pin
48.		Cap-Press-ID
49.		Spring-Press-ID

Parts List 13.1 Job Offset Assembly



s7400-053

Parts List 13.1 Job Offset Assembly - Service Parts List

No.	Part Number	Name/Description
0.	054K37730	Job-Offset-Assy
1.		Holder-Joboff-Lower
2.		GEAR-IDLE-Eject_Z27
3.		Pipe-Assy-Drive_723
4.		Pipe-Assy-Driven_723
5.		Bush-Shaft
6.		Gear-Drive
7.		Gear-Driven
8.		Spring-Bush-L
9.		Spring-Bush-R
10.		Bracket-Motor(Caulking)
11.		Motor-Resist (Job Offset Motor)
12.		Gear-Idle-Z28
13.		Gear-Link-Z60
14.		Lever-Link-B
15.		Lever-Link-A
16.		Washer - 2W3
17.		Cup_Screw (S Tight M 3) (included in Screw Kit)
18.		CS-RING (CS3-SUS)
19.		Ring
20.		Cover-Motor_Joboff (Gear Cover)
21.		Contact-Joboff-L
22.		Contact-Joboff-R
23.		Holder-Joboff-Upper
24.		Lever-Stacker-Full-F (Top Output Tray Stack Full Feelers)
25.		Lever-Stacker-Full-Sub (Top Output Tray Stack Full Sensor Actuator)
26.		TappingScrew-B2 L=8 (included in Screw Kit)
27.		Limiter-Pin
28.		Spacer-Coupling
29.		Ring

Parts List 14.1 Basket Assembly - Service Parts List

No.	Part Number	Name/Description
0.	674K01390	Basket Assy (Upper and Lower Assy)
1.		Basket-Main-Assy (with 2~17, 49, 81~86) (Upper Basket Assy)
2.		Plate-Bar
3.		Plate-Lever-01
4.		Lever-Basket-01
5.		Lever-Basket-02
6.		Post-Lever-01
7.		Plate-Lock-01
8.		Cover-Lock-Lever
9.		Plate-Lock-02
10.		Post-Lock-Lever
11.		Lever-Basket-03
12.		Spring-Lock-L
13.		Lever-Stopper
14.		Plate-Stopper
15.		Post-Stopper
16.		Spring-Stopper
17.		Link-Unit-L (with 18~35, 47~48) (Left Support Rail Assy)
18.		Guide-Link-L
19.		One-Way-Hinge-L
20.		Plate-Damper-L
21.		Rack-Damper-L
22.		Spring-Lack-Damper-0.4
23.		Link-Caulking-L
24.		Post-Link-6
25.		Bracket-Link-L
26.		Post-One-Way
27.		Washer-6-22
28.		Ring
29.		Cup_Screw (S Tight M 3) (included in Screw Kit)
30.		Cup_Screw A (included in Screw Kit)
31.		Gear-Damper
32.		Plate-BKL
33.		Plate-Support-BK
34.		Plate-Link-L
35.		Gear Assy.-L (with 36~46) (Left Damper Assy)

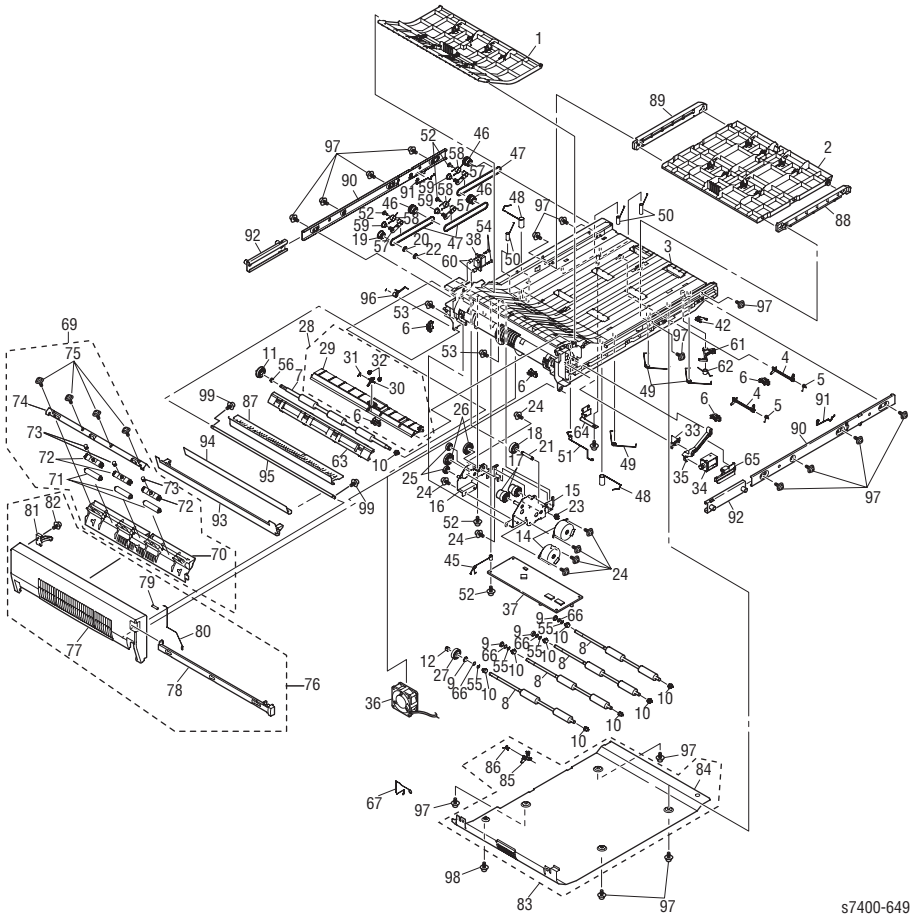
Parts List 14.1 Basket Assembly - Service Parts List

No.	Part Number	Name/Description
36.		Plate-damper-L-Caulking
37.		Plate-Dumper-L2-Caulking
38.		Damper-R
39.		Gear-BKL
40.		Plate-Limiter
41.		Spring-Limiter L
42.		Cup_Screw (S Tight M 3) (included in Screw Kit)
43.		Post-Limiter-Roller
44.		Roller-Limiter
45.		Ring
46.		Ring
47.		Tap_Thigt_Screw
48.		Bearing-6-10-2.7T
49.		Link-Unit-R (with 50~67, 79, 80) (Right Support Rail Assy)
50.		Guide-Link-R
51.		One-Way-Hinge-R
52.		Plate-Damper-R
53.		Post-One-Way
54.		Rack-Damper-R
55.		Spring-Lack-Damper-0.4
56.		Link-Caulking-R
57.		Bracket-Link-R
58.		Gear-Damper
59.		Post-Link-6
60.		Washer-6-22
61.		Ring
62.		Cup_Screw (S Tight M 3) (included in Screw Kit)
63.		Cup_Screw A (included in Screw Kit)
64.		Plate-BKR
65.		Plate-Support-BK
66.		Plate-Link-R
67.		Gear Assy.-R (with 68~78) (Right Damper Assy)
68.		Plate-Damper-R-Caulking
69.		Damper-L
70.		Plate-Dumper-R2-Caulking
71.		Gear-BKR
72.		Cup_Screw (S Tight M 3) (included in Screw Kit)

Parts List 14.1 Basket Assembly - Service Parts List

No.	Part Number	Name/Description
73.		Plate-Limiter
74.		Spring-Limiter R
75.		Post-Limiter-Roller
76.		Roller-Limiter
77.		Ring
78.		Ring
79.		Tap_Thigt_Screw
80.		Bearing-6-10-2.7T
81.		Cup_Screw (S Tight M 3) (included in Screw Kit)
82.		Ring
83.		Screw-PSW3 (included in Screw Kit)
84.		Spring-FG-L
85.		Spring-FG-R
86.		Gasket
87.	674K01410	Basket-Inner- Assy (with 88~97) (Lower Basket Assembly)
88.		Plate-Beam
89.		Plate-BKF
90.		Plate-BK-Rear
91.		Post-Guide-Roller
92.		Cover-Beam
93.		Roller-Guide-BK
94.		Roller-Guide BK2
95.		Frame-BKF
96.		Ring
97.		Cup_Screw (S Tight M 3) (included in Screw Kit)
98.		Spring-BK
99.		Plate-Link
100.		Post-Basket-01
101.		Cover-BKL
102.		Cover-BKR
103.		Label-ID-Position-Bas
104.		Ring

Parts List 15.1 Duplex Unit



s7400-649

Parts List 16.1 Duplex Unit - Service Parts List

No.	Part Number	Name/Description
0.	084K35440	Duplex Unit
1.		Frame Assy Uppper Left
2.		Frame Assy Upper Right
3.		Frame Lower
4.		Lever-Sensor(F/R)
5.		Spring-Sensor(F/R)
6.		Photo-Interrupter
7.		Roller-SwB
8.		Roller-Feed-Dup
9.		Bush
10.		Bearing-Feed
11.		Gear-Z40
12.		Stopper-Gear
13.		Motor-Assy-Dup Assy (Include:No.14~26)
14.		Motor-Resist
15.		Bracket-Motor-A-Caulking
16.		Bracket-Motor-B-Caulking
17.		Gear-Z46/32
18.		Gear-RE3
19.		Pulley-MXL(25)
20.		Collar
21.		Shaft-Pulley
22.		Bush
23.		Bearing-Feed
24.		Cup_Screw (S Tight M3) (included in Screw Kit)
25.		Gear-Z26
26.		Gear-Z44
27.		Gear-RE3
28.		Guide-Assy-Reverse Assy (Include:No.29~32)
29.		Guide-Reverse
30.		Lever-Sns-Reverse
31.		Spring-Sns-Reverse
32.		Stopper-Sns-RV

Parts List 16.1 Duplex Unit - Service Parts List

No.	Part Number	Name/Description
33.		Plate-FG-Solenoid
34.		Solenoid
35.		Lever-Solenoid-Dup
36.		Motor-Fan (Duplex Fan)
37.		OR-Board Assy.-V72-2
38.		IMSA-9714N-14Z03 Connector-SQR
39.		CONN Cord-AMP14P-AMP7Px2
40.		CONN Cord-AMP10P-AMP3Px3
41.		CONN Cord-AMP6P-AMP3Px2
42.		CONN Cord-JST3P-SW
43.		CONN Cord-JST5P-JST4P
44.		CONN Cord-JST4P-JST4P
45.		Spring-FG-Board
46.		Pulley-MXL25(W)
47.		Belt-Mini Pitch(B151)
48.		Spring-FG-Base
49.		Spring-FG-Roller-Feed-F
50.		Spring-FG-Roller-Feed-R
51.		Spring-FG-Roller-Feed-F2
52.		TappingScrew-B2 L=8 (included in Screw Kit)
53.		Cup_Screw A (included in Screw Kit)
54.		Screw-Shoulder
55.		Ring
56.		Bush
57.		Holder-Tensioner
58.		Spring-Tensioner
59.		Pulley-Idle
60.		Spring-JIC
61.		Link-Inter-Lock
62.		Spring-Inter-Lock
63.		Guide-SwB
64.		Plate-FG-Base-R
65.		Cover-Solenoid
66.		Spacer-Coupling

Parts List 16.1 Duplex Unit - Service Parts List

No.	Part Number	Name/Description
67.		Spring-FG-Sns
68.		Cover-Reverse- Assy (with 69,76)
69.		Frame-Reverse-Assy (with 70~75
70.		Frame-Reverse
71.		Roller-Pinch
72.		Holder-Roller-Pinch
73.		Spring-Pressure-Pinch
74.		Plate-Bracket-Spring
75.		TappingScrew-B2 L=8 (included in Screw Kit)
76.		Cover-Outer-Assy (with 77~82)
77.		Cover-Reverse
78.		Lever-Lock-Reverse
79.		Spring-Lock-Reverse
80.		Spring-FG-Reverse
81.		Stopper-CR
82.		TappingScrew-B2 L=8 (included in Screw Kit)
83.		Plate-Assy-Lower (with 84~86)
84.		Plate-Base-Lower
85.		Lever-Sns-Dup2
86.		Spring-SNS-Dup2
87.		Guide-Paper-Reverse
88.		Guide-Slide-F
89.		Guide-Slide-R
90.		Plate-Rail
91.		Spring-Rail-Lock
92.		Bracket-Guide-Slide-Caulking
93.		Lever-Lock-CR
94.		Plate-Lever-Lock
95.		Shaft-Lock
96.		Spring-Lock
97.		TappingScrew-B2 L=8 (included in Screw Kit)
98.		Cup_Screw (S Tight M3) (included in Screw Kit)
99.		Screw (SW+2W) (included in Screw Kit)

Xerox Supplies and Accessories

Service Kits

Description	Part Number
Kit, Hardware (screws, E-rings)	604K35560
Kit, Paper Feed Roller	604K35570
Kit, Gear	604K35550
Kit, Sensor	604K35590
Kit, Actuator	604K35580

Phaser 7400 Maintenance Items

Description	Part Number
Cyan Imaging Unit	108R00647
Magenta Imaging Unit	108R00648
Yellow Imaging Unit	108R00649
Black Imaging Unit	108R00650
Fuser, Phaser 7400	
110 V	115R00037
220 V	115R00038
Transfer Unit	101R00421
Paper Feed Roller Kit	604K35030
Waste Toner Reservoir	106R01081

Power Cords

Description	Part Number
Cable PWR, 115 V, 98, 0L	161-0312-00
Cable PWR EURO 220V , 99L	161-0066-09
Cable PWR U.K. 240 V, 96L	161-0066-10
Cable PWR AUST 240 V, 96L	161-0066-11
Cable Assy SWISS 220/240 V, 50 Hz	161-0154-00
Cable Assy PWR. DANISH, 250 V	161-0240-00
Cable Assy PWR, PRC	161-0304-00
Power, 240 V, ARGENTINA	161-0307-00

Upgrade Kits and Options

Description	Part Number
Internal Hard Drive	121K44690
Memory: 256 MB, 16M x 64, PC133; Memory DIMM	856000300
512 MB, 32M x 64, PC133; Memory DIMM	856000400
Duplex Unit	084K35440
1650-Sheet Feeder w/ Trays	097S03368
550-Sheet Feeder w/ Tray	097S03361

Toner Cartridge Consumables

Description (capacity)	Part Number
Yellow Toner Cartridge, Standard-Capacity (7.5K)	106R01152
Yellow Toner Cartridge, High-Capacity (15K)	106R01079
Yellow Toner Cartridge, Metered (15K)	106R01155
Magenta Toner Cartridge, Standard Capacity (7.5K)	106R01151
Magenta Toner Cartridge, High-Capacity (15K)	106R01078
Magenta Toner Cartridge, Metered (15K)	106R01154
Cyan Toner Cartridge, Standard-Capacity (7.5K)	106R01150
Cyan Toner Cartridge, High-Capacity (15K)	106R01077
Cyan Toner Cartridge, Metered (15K)	106R01153
Black Toner Cartridge, High-Capacity (15K)	106R01080
Black Toner Cartridge, Metered (15K)	106R01156

Service Kits

Service kits are developed to provide an easy means to obtain spare parts normally associated with larger assemblies. A number of Service Kits have been developed for the Phaser 7400. The following tables list each kit's contents.

Feed Roller Kit

The Feed Roller Kit provides replacement rollers for the Feeder Assemblies.

Feed Roller Kit Contents - 604K35570

Name/Description	Quantity
Feed Roller	1
Frame, Pickup	1
Plate, Pickup	1
Pick Roller	1
Feed Gear	1
Torque Limiter	1
Roller, Feed Now	1

Sensor Kit

The Sensor Kit provides replacement sensor actuators.

Sensor Kit Contents - 604K35590

Name/Description	Quantity
Photo-Interrupter	6
Sensor-Regist-Sub-Assy	1
Sensor-Regist- Assy.	1
Photointerrupter(REWORK) (OHP Sensor)	1

Actuator Kit

The Actuator Kit provides replacement sensor actuators.

Actuator Kit Contents - 604K35580

Name/Description	Quantity
Spring-Torsion (IN2)	1
Lever-Sensor (IN2)	1
Lever-Sensor(WR)	1
Spring-Torsion (WR)	1
Lever-Exit_Sensor	1
Spring-SNS (F/R)	1
Lever-Stacker-Full-F	1
Lever-Stacker-Full-Sub	1
Lever-Paper-END	1
Spring-Paper-End (joboff)	1
Lever-Stacker-Full-FU	1
Lever-Hopping	1
Lever-Paper End (MPT)	1
Lever-Paper (MPT)	1
Spring-Paper (MPT)	1
Link-Inter-Lock	1
Spring-Inter-Lock	1
Lever-Sns-Dup2	1
Spring-SNS-Dup2	1

Screw Kit

Screw Kit Contents -

Name/Description	Quantity
Screw-Knob	2
Cup_Screw (S Tight M 3)	20
Cup_Screw A	4
Screw (SW+2W)	2
TappingScrew-B2 L=8	2
Cup-Screw-E L=6	2
Screw-PSW3	2
Screw	2

Hardware Kit

Hardware Kit Contents - 604K35560

Name/Description	Quantity
SPRING, PICKUP	1
SPRING, RELEASE	1
PIN	1
RING	2
RING	1
RING	2
RING	2
RING	2

Gear Kit

Gear Kit Contents - 604K35550

Name/Description	Quantity
Gear-BKL2	1
Gear-BKR2	1
Gear-Z38(one-way)	1
Gear-Z17-FU	2
Gear-idle(Z39)	1
Gear-Idle(Z44)	2
Gear-Idle-Link	1
Gear-Idle-Liftup-Z20-30	1
Gear-Idle-Lift-UP-Z37	1
Gear-Z14-42	1
Gear-Z14-35	2
Gear-Idle-Drum	1
Gear-Z77-FU	1
Gear-Ground-Z16-FU	1
Gear-Z20-FU	1
Gear-Z17-FU	1
Gear-Z16-FU	1
Gear-OnewayBevel(Z20)	1
Gear-OnewayBevel(Z20)	1
Gear Assy.-CL(Reg2) (Registration Clutch #1)	1

Harness Kit

Harness Kit Contents -

Name/Description	Quantity
CONN Cord-HIROSE6P-H2P,H4P	
CONN Cord-JST2P-JST2P	
CONN Cord-AMP11P-AMP11P	
CONN Cord-AMP4P-AMP4P	
CONN Cord-JST5P-JST4P	
TW-VF-16-0.1X0.8-420 CONN PAR	
SMCD-40-160BD(1.0) CONN PAR	
SMCD-30-160BD(1.0) CONN PAR	
CONN Cord-JST4P-JST4P	
CONN Cord-JST12P-JST6P,JST7P	
SMCD-9-560BD(1.0) CONN PAR	
TW-VF-6-0.1X0.8-930 CONN PAR	
SMCD-20-370-AD-P1.0 CONN PAR	
CONN Cord-AMP10P-AMP9P	
292254-9 Connector-Plug-	
CONN Cord-JST3P-JST3P	
IMSA-9714N-14Z02 Connector-SQR	
CONN Cord-JST10P,AMP4P-AMP7PX2	
CONN Cord-AMP8P-JST4P,AMP4P	
CONN Cord-AMP9P-AMP3PX3	
AMP3P-AMP3P CONN Cord-Wire	
CONN Cord-AMP10P-AMP10P	
IMSA-9714N-14Z02 Connector-SQR -	
CONN Cord-JST9P-AMP3P,JST3PX2	
CONN Cord-JST24P-JST24P	
CONN Cord-AMP13P-AMP7P,AMP7P	
CONN Cord-JST5P-SW (top cover interlock)	
CONN Cord-AMP2P-SW	
CONN Cord-AMP3P-JST3P	
CONN Cord-JST6P-JST3PX2	
CONN Cord-AMP3P-AMP3P	
CONN Cord-AMP13P-AMP13P	