

Parts List

In this chapter...

- Serial Number Format
- Using the Parts List
- Print Engine Parts
- Harness Assemblies
- Optional High-Capacity Feeder
- Optional 500-sheet Feeder
- Xerox Supplies and Accessories

Chapter 9



Serial Number Format

Changes to Xerox products are made to accommodate improved components as they become available. It is important when ordering parts to include the following information:

- Component's part number
- Product type or model number
- Serial number of the printer

Serial numbering. Particular fields in the serial number indicate the modification level of the printer, the date of its manufacture and the sequence number of the printer produced on that day.

The serial number is coded as follows:

- The text “S/N” followed by the serial number in the barcode.
- The barcode **does not** include a field identifier.
- The nine digit serial number is based on the following format:
PPPRSSSSS

PPP = Three digit alphanumeric product code

| Product | Model | Voltage | Product Code |
|---------|------------------|---------|--------------|
| 6250 | B, N, DP, DT, DX | 110V | PWG |
| 6250V | B, N, DP, DT, DX | 220V | PWH |

R - Single numeric revision digit. To be rolled when a major product change occurs. Code change is initiated with a change request.

SSSSS - Five digit numeric serial number.

Serial Number Example:

PWG453072:

PWG = Product code for the 110V Printer

4 = Revision level

53072 = Serial number

Using the Parts List

1. **No.:** The callout number from the exploded part diagram.
2. **Part Number:** The material part number used to order specific parts.

Note

An asterisk following the part number identifies parts that are unique to the Phaser 6250 Color Laser Printer. All other part are common with the Phaser 6200 Color Laser Printer.

3. **Qty:** This number represents the parts per printer, not the number of parts supplied in the actual part order.
4. **Name/Description:** Details the name of the part to be ordered and the number of parts supplied per order.
5. Parts identified throughout this manual are referenced **PL#.#.#**; For example, PL3.1.10 means the part is item 10 of Parts List 3.1.
6. A black triangle preceding a number followed by a parenthetical statement in an illustrated parts list means the item is a parent assembly, made up of the individual parts called out in parentheses.
7. The notation “**with X~Y**” following a part name indicates an assembly that is made up of components X through Y. For example, “1 (with 2~4)” means part 1 consists of part 2, part 3, and part 4.
8. Two asterisks (**) following a part name indicates the page contains a note about this part.
9. The notation (NS) next to a part indicates that particular part is not spared, but contained in a kit or major assembly.
10. The notation “**J1<>J2 and P2**” is attached to a wire harness. It indicates that connector Jack 1 is attached to one end of the wire harness and connector J2 is attached to the other end that is plugged into P2.

Note

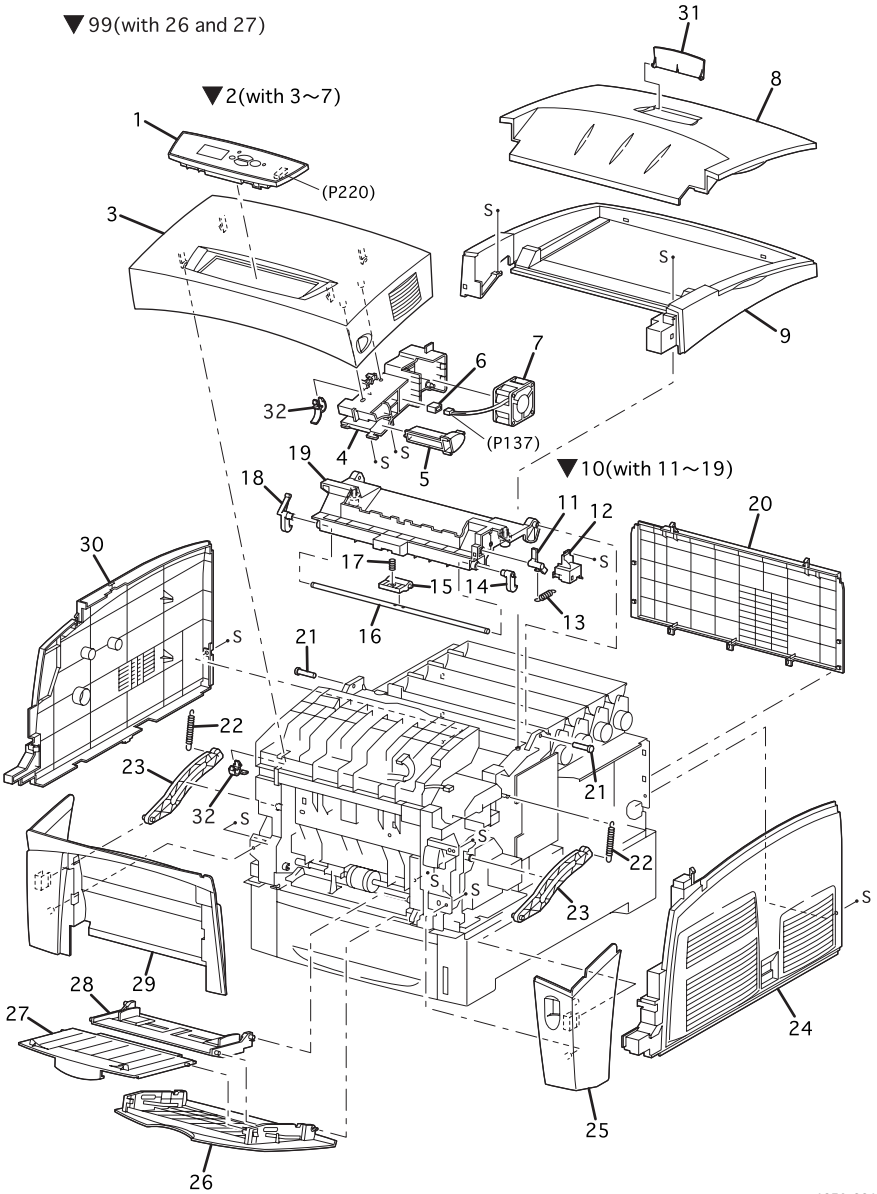
Only parts showing part numbers are available for support. Parts not showing part numbers are available on the parent assembly.

Legend:

| Identifier | Meaning |
|------------|---------|
| C | C-ring |
| E | E-ring |
| KL | K-clip |
| S | Screw |

Print Engine Parts

PL 1.1 Covers



6250-286

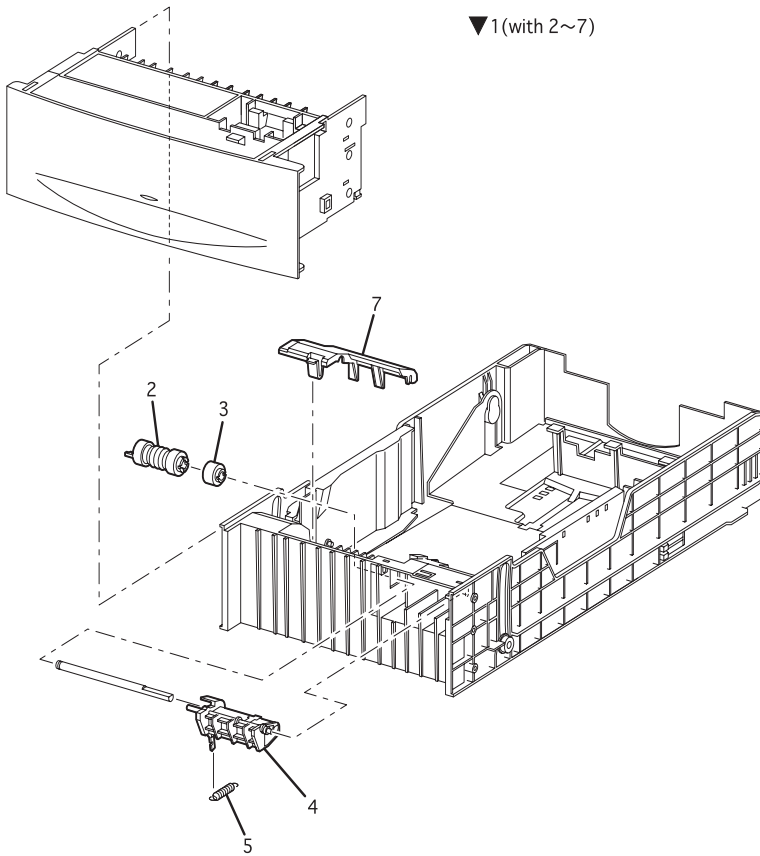
PL 1.1 Covers - Service Parts List

| No. | Part Number | Qty | Name/Description |
|-----|--------------|-----|--|
| 1. | 333-4405-00* | 1 | Control Panel (Front Panel Display) |
| 2. | 116-1357-00* | 1 | Cover Assembly, Front (with 3-7) |
| 3. | | 1 | Cover, Front (NS, part of PL 1.1.2) |
| 4. | | 1 | Holder, Lever Out (NS) |
| 5. | | 1 | Lever Out (NS) |
| 6. | | 1 | Con. Amp 175694-3 (NS) |
| 7. | 116-0004-00 | 1 | Fan, Fuser |
| 8. | 116-1074-00* | 1 | Cover Assembly, Top |
| 9. | 116-1359-00 | 1 | Cover, Top Main |
| 10. | 116-1360-00* | 1 | Cover Assembly, Top Image Unit (with 11-19) (Door C) |
| 11. | | 1 | CAM I/R (NS) |
| 12. | | 1 | Cover, CAM (NS) |
| 13. | | 1 | Spring, CAM I/R (NS) |
| 14. | 116-0011-00 | 1 | Latch, Top Right |
| 15. | | 1 | Handle, Top (NS) |
| 16. | | 1 | Shaft Latch, Top (NS) |
| 17. | | 1 | Spring, Handle (NS) |
| 18. | 116-1372-00* | 1 | Latch, Top Left |
| 19. | | 1 | Cover, Top Image Unit (Door C)(NS) |
| 20. | 116-0016-00 | 1 | Cover, Rear |
| 21. | 116-0492-00 | 2 | Stud, Top (1 per order) |
| 22. | 116-0586-00 | 2 | Spring, Link (1 per order) |
| 23. | 116-0963-00 | 2 | Link (1 per order) |
| 24. | 116-1373-00* | 1 | Cover, Side, Right |
| 25. | 116-1322-00 | 1 | Cover Assembly, Front Right |
| 26. | | 1 | Cover, Tray 1 (MPT) (NS, part of Tray 1 99) |
| 27. | | 1 | Tray 1 Slide (NS, part of Tray 1 99) |
| 28. | 116-1375-00* | 1 | Assembly, Tray 1, Base |
| 29. | 116-1376-00* | 1 | Cover Assembly, Front Left |
| 30. | 116-1327-00 | 1 | Cover, Side, Left |
| 31. | 116-1096-00* | 1 | Cover, Top Stopper |

PL 1.1 Covers - Service Parts List

| No. | Part Number | Qty | Name/Description |
|-----|--------------|-----|----------------------------------|
| 32. | 116-1592-00* | 1 | Kit, Cover Front Retaining Clips |
| 99 | 116-1377-00* | 1 | Tray 1, (MPT) (with 26 and 27) |

PL 2.1 Universal Paper Tray



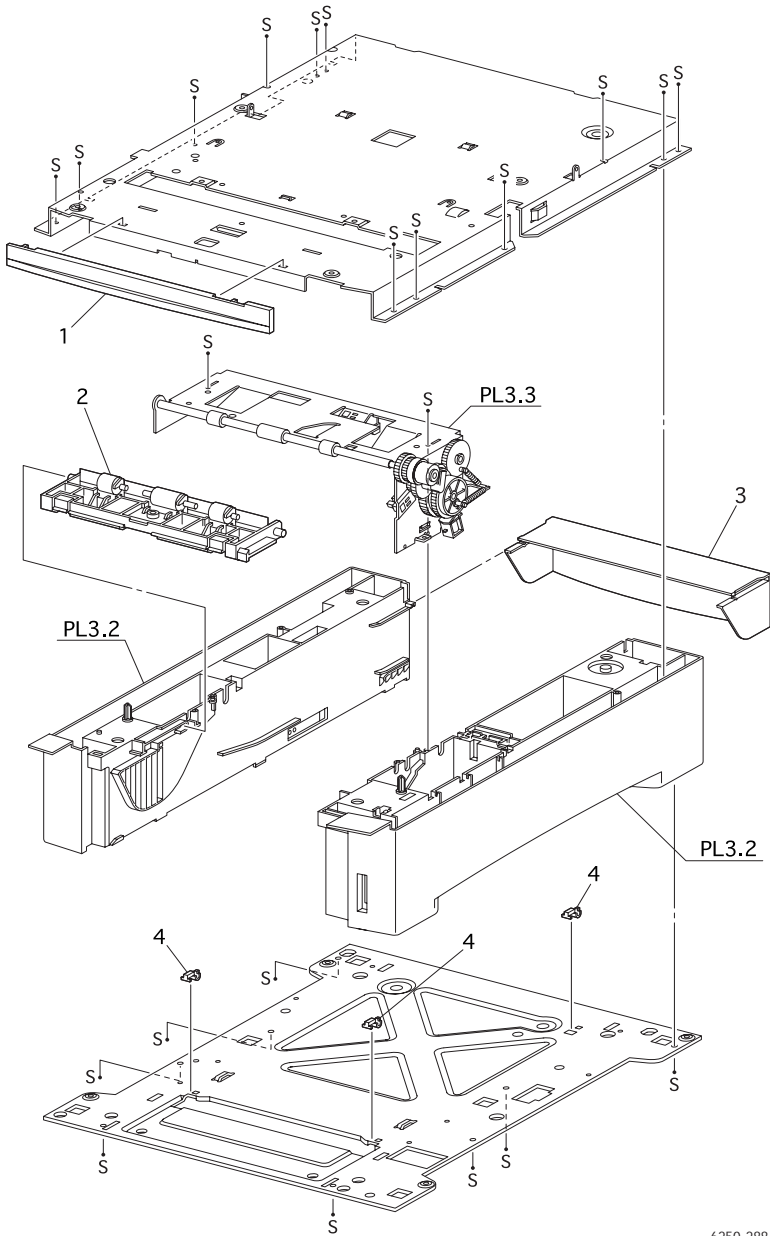
6250-287

PL 2.1 Tray, Universal Paper - Service Parts List

| ID No. | Part Number | Qty | Name/Description |
|--------|--------------|-----|--|
| 1. | 116-1378-00* | 1 | Universal Paper Tray (with 2~6) |
| 2. | 116-1331-00 | 2 | Paper Feed Roller Kit* *(2 interchangeable rollers per order) |
| 3. | 116-1332-00 | 1 | Assembly, Friction Clutch |
| 4. | | 1 | Holder, Retard (NS) |
| 5. | 116-1632-00* | 1 | Spring, Retard |
| 6. | | | |
| 7. | 116-1490-00 | | Chute, Guide Cover |

PL 3.1 Paper Feed I

▼99(with1~4, PL3.2 + PL3.3)

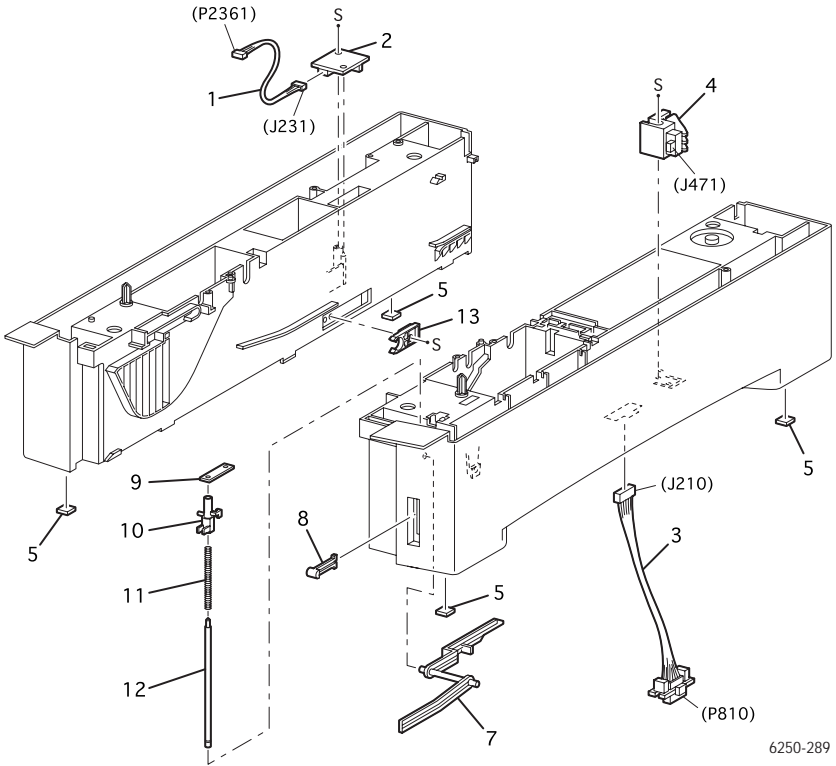


6250-288

PL 3.1 Paper Feed I - Service Parts List Table

| ID No. | Part Number | Qty | Name/Description |
|---------------|--------------------|------------|---|
| 1. | 116-1335-00 | 1 | Cover, Feeder, Front |
| 2. | 116-1336-00 | 1 | Assembly, Turn Chute |
| 3. | 116-1491-00* | 1 | Cover, Paper Tray, Rear |
| 4. | 116-1338-00 | 3 | Block (1 per order) |
| 5. | 212-0237-00 | 4 | Long Screw (M3 x 85) Kit (2 per order) |
| 99. | 116-1631-00 | 1 | Assembly, Feeder (with 1 - 4 & PL 3.2 & PL 3.3) |

PL 3.2 Paper Feed II



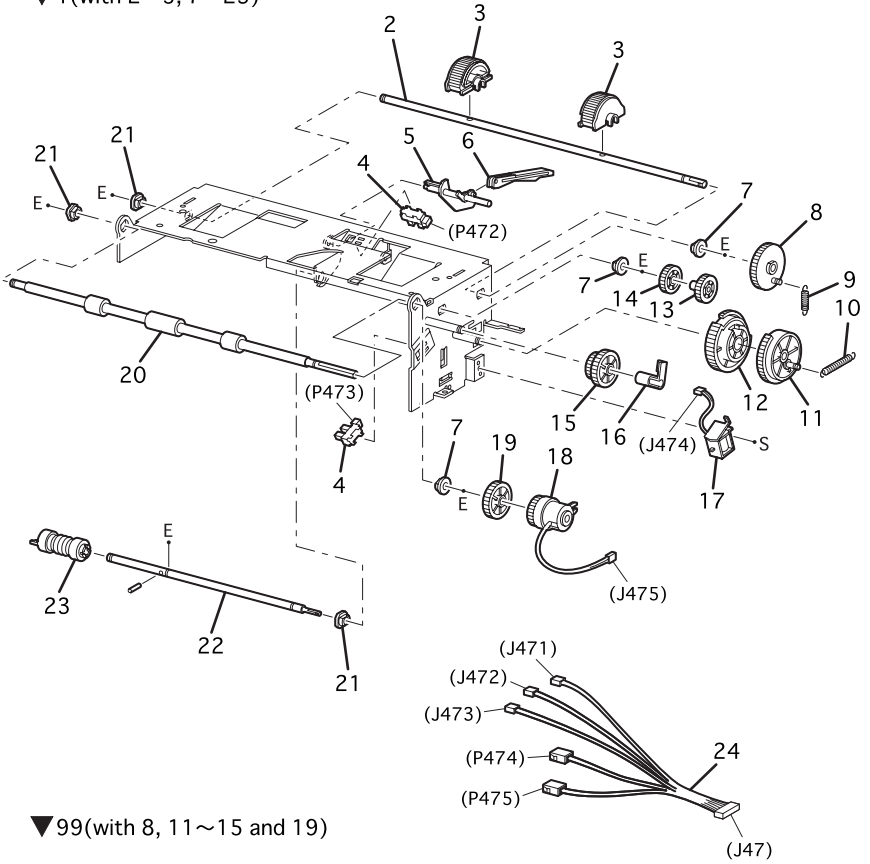
6250-289

PL 3.2 Paper Feed II - FRU Parts List Table

| ID No. | Part Number | Qty | Name/Description |
|---------------|--------------------|------------|--|
| 1. | 116-1340-00 | 1 | Assembly, Harness, Temperature/Humidity (J231~J2361) |
| 2. | 116-1341-00 | 1 | Sensor, Temperature/Humidity |
| 3. | 116-1342-00 | 1 | Assembly, Harness, LTA (HCF) (J210~P810) |
| 4. | 116-1343-00 | 1 | Assembly, Paper Size Switch |
| 5. | 116-1625-00 | 4 | Printer Feet (4 per order) |
| 6. | --- | - | --- |
| 7. | 116-1345-00 | 1 | Lever, Low Paper |
| 8. | 116-1346-00 | 1 | Indicator, Paper Level |
| 9. | | 1 | Indicator, Holder, Shaft (NS) |
| 10. | 116-1348-00 | 1 | Indicator, Guide |
| 11. | | 1 | Indicator, Spring (NS) |
| 12. | | 1 | Indicator, Shaft (NS) |
| 13. | 116-1351-00 | 1 | Paper Tray Stopper |

PL 3.3 Paper Feed III

▼1(with 2~5, 7~23)



6250-290

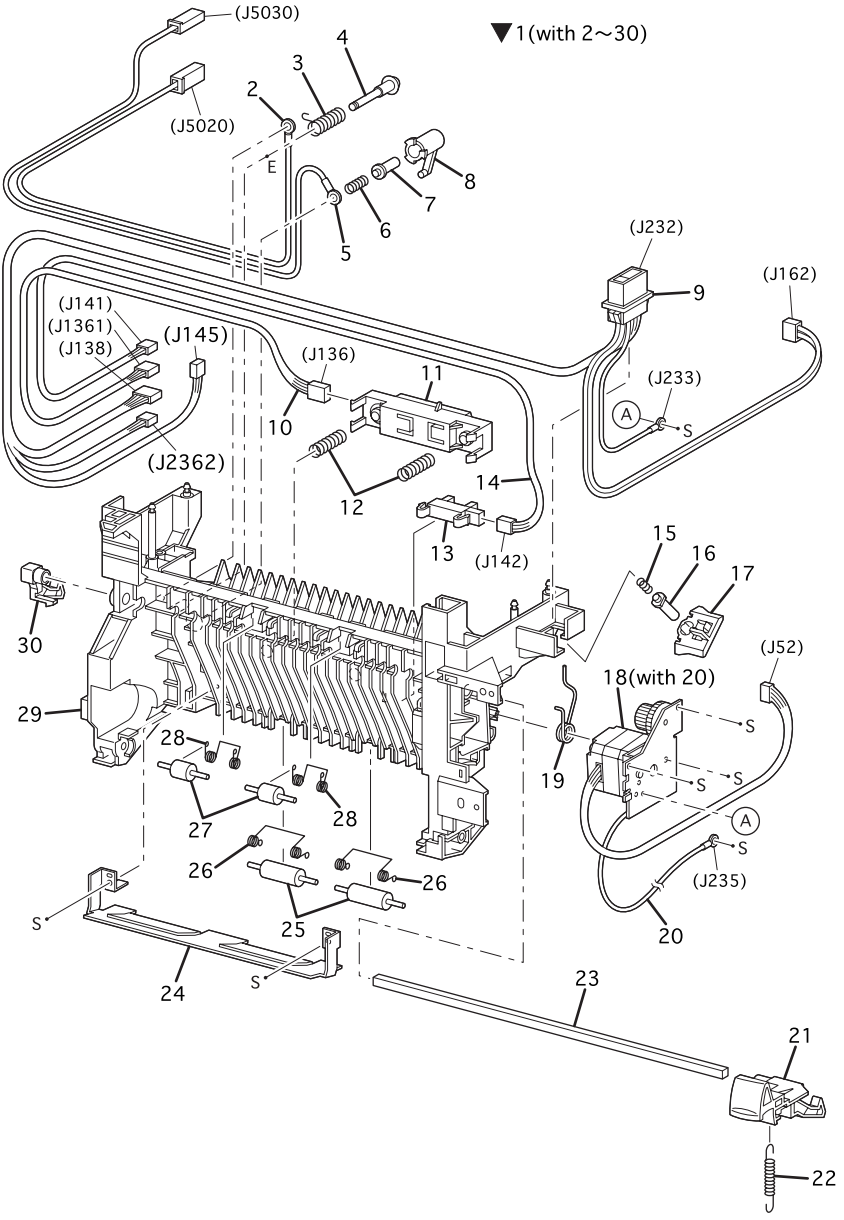
PL 3.3 Paper Feeder III - Service Parts List

| ID No. | Part Number | Qty | Name/Description |
|--------|-------------|-----|---|
| 1. | 116-1352-00 | 1 | Assembly, Paper Pick (with 2~5 & 7~23) |
| 2. | | 1 | Shaft, Feed 1 (NS) |
| 3. | 116-1353-01 | 2 | Paper Pick Roller Kit (2 per order) |
| 4. | 116-1354-00 | 1 | Sensor, (No Paper, Low Paper) |
| 5. | 116-1355-00 | 1 | Actuator, No Paper |
| 6. | 116-1356-00 | 1 | Actuator, Link (not included with item 1) |
| 7. | | 3 | Bearing - Metal (NS) |
| 8. | | 1 | Gear, Feed 1 (NS) |
| 9. | | 1 | Spring, Feed 1 (NS) |
| 10. | | 1 | Spring, Feed H (NS) |
| 11. | | 1 | Gear, Feed H2 (NS part of 99) |
| 12. | | 1 | Gear, Feed H1 (NS part of 99) |
| 13. | | 1 | Gear, Feed 2 (NS part of 99) |
| 14. | | 1 | Gear, Idler Feed (NS part of 99) |
| 15. | | 1 | Gear, Idler (NS part of 99) |
| 16. | | 1 | Clutch Stopper (NS) |
| 17. | 116-1361-00 | 1 | Feed Solenoid |
| 18. | 116-1362-00 | 1 | Assembly, Clutch Turn |
| 19. | | 1 | Gear, Idler In (NS part of 99) |
| 20. | 116-1363-00 | 1 | Assembly, Roll Turn |
| 21. | | 3 | Bearing - Black (NS) |
| 22. | | 1 | Shaft, Feed 2 (NS) |
| 23. | 116-1331-00 | 2 | Paper Feed Roller Kit* *(2 interchangeable rollers per order) |
| 24. | 116-1366-00 | 1 | Assembly, Harness, Feeder (J47-J471/J472/J473/P474/ P475) (not included with item 1) |
| 99) | 116-1367-00 | 1 | Paper Feed Gear Kit (with 8, 11~15 and 19) |

PL 4.1 Assembly, Housing Retard - Service Parts List Table

| ID No. | Part Number | Qty | Name/Description |
|---------------|--------------------|------------|--------------------------------------|
| 1. | 116-1492-00* | 1 | Assembly, Housing Retard (with 2~13) |
| 2. | | 1 | Roll, Turn (NS) |
| 3. | | 1 | Shaft, Retard (NS) |
| 4. | | 1 | Assembly, Friction Clutch (NS) |
| 5. | 116-1371-00 | 1 | Assembly, Retard Roll |
| 6. | | 1 | Holder, Retard (NS) |
| 7. | | 1 | Housing, Retard (NS) |
| 8. | | 1 | Bearing (NS) |
| 9. | | 1 | Turn Clutch (NS) |
| 10. | | 1 | Stud, Retard (NS) |
| 11. | | 1 | Spring, Retard 370 (NS) |
| 12. | | 1 | Cap, Retard (NS) |
| 13. | | 1 | Bearing, Ground (NS) |

PL 5.1 Chute Assembly In

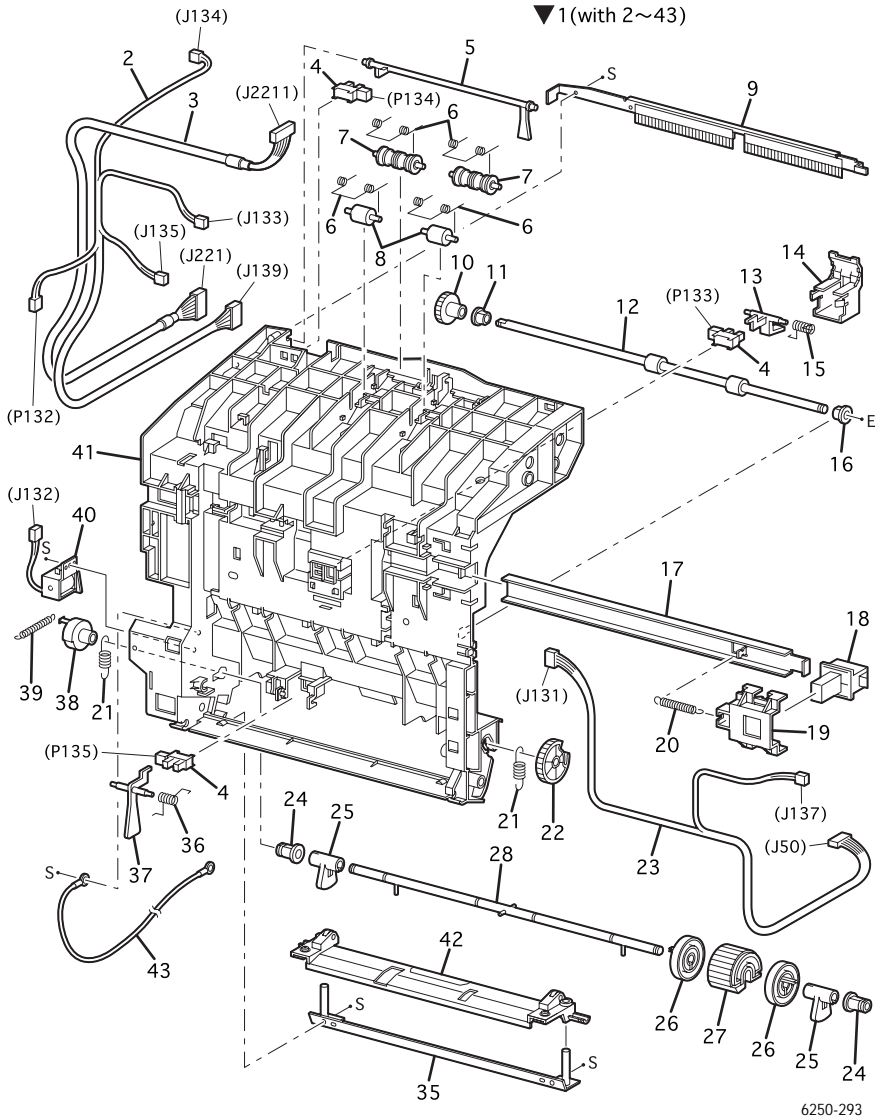


6250-292

PL 5.1 Chute Assembly, In - Service Parts List Table

| ID No. | Part Number | Qty | Name/Description |
|--------|--------------|-----|---|
| 1 | 116-1493-00* | 1 | Chute Assembly, In (with 2~30) |
| 2 | 116-1381-00 | 1 | Assembly, Wiring 2nd BTR (J5020)(Transfer Roller) |
| 3 | 116-1382-00 | 1 | Spring, 2nd BTR |
| 4 | 116-1383-00 | 1 | Shaft, BTR IN |
| 5 | 116-1384-00 | 1 | Assembly, Wire Disk (J5030) |
| 6 | 116-1385-00 | 1 | Spring, DTC |
| 7 | 116-1386-00 | 1 | Stud, 2nd BTR |
| 8 | 116-1387-00 | 1 | Spring, Holder BTR |
| 9 | 116-1575-00* | 1 | Assembly, Harness Fuser (FSR 4) (J232, J233, J162, J138, J145, J2362) |
| 10 | 116-1390-00 | 1 | Assembly, Harness CTD (ADC) |
| 11 | 116-1391-00 | 1 | Assembly, Sensor CTD (ADC) |
| 12 | 116-1392-00 | 1 | Spring, ADC |
| 13 | 116-1393-00 | 1 | Sensor, Toner Full |
| 14 | 116-1394-00 | 1 | Assembly, Harness Toner Full SNS |
| 15 | 116-1395-00 | 1 | Spring, IDT |
| 16 | 116-1396-00 | 1 | Stud, IDT |
| 17 | 116-1397-00 | 1 | Holder, IDT |
| 18 | 116-1588-00* | 1 | Assembly, Drive Fuser |
| 19 | 116-1399-00 | 1 | Spring, BTR |
| 20 | 116-1400-00 | 1 | Wire Assembly, FSR Earth GRND |
| 21 | 116-1401-00 | 1 | Right Latch |
| 22 | 116-1402-00 | 1 | Spring, Latch |
| 23 | | 1 | Shaft, Latch (NS) |
| 24 | 116-1403-00 | 1 | Plate, In T/R |
| 25 | 116-1404-00 | 2 | Roll, Pinch Turn (1 per order) |
| 26 | 116-1405-00 | 2 | Spring, Pinch Turn (1 per order) |
| 27 | 116-1406-00 | 2 | Roll, Pinch Dup (1 per order) |
| 28 | 116-1407-00 | 1 | Spring, Pinch Dup |
| 29 | 116-1408-00 | 1 | Chute, In |
| 30 | 116-1409-00 | 1 | Left Latch |

PL 6.1 Chute Assembly Out



PL 6.1 Chute Assembly, Out - Service Parts List Table

| ID No | Part Number | Qty | Name/Description |
|-------|--------------|-----|---|
| 1. | 116-1591-00* | 1 | Assembly, Chute Out (with 2-43 & PL 7.1) |
| 2. | 116-1411-00 | 1 | Assembly, Harness, Front 2 |
| 3. | 116-1593-00* | 1 | Assembly, Harness, Front Panel |
| 4. | 116-1413-00 | 3 | Sensor, (Dup Jam, Full Stack, MSI No Paper) (1 per order) |
| 5. | 116-1414-00 | 1 | Actuator, Output Tray Full (Full Stack) |
| 6. | 116-1634-00* | 4 | Spring, Pinch Exit (1 per order) |
| 7. | 116-1416-00 | 2 | Roll, Pinch Exit (1 per order) |
| 8. | 116-1417-00 | 2 | Roll, Pinch (1 per order) |
| 9. | 116-1418-00 | 1 | Eliminator Assembly |
| 10. | 116-1419-00 | 1 | Gear 30 |
| 11. | | 1 | Bearing Ground (NS) |
| 12. | 116-1420-00 | 1 | Roll, Dup (Duplex) |
| 13. | 116-1421-00 | 1 | Actuator, Duplex |
| 14. | 116-1422-00 | 1 | Actuator, Cover |
| 15. | 116-1423-00 | 1 | Spring, Sensor Dup (Duplex) |
| 16. | | 1 | Bearing (NS) |
| 17. | | 1 | Latch, Plate (NS) |
| 18. | | 1 | Latch, Out (NS) |
| 19. | | 1 | Latch, Holder (NS) |
| 20. | 116-1425-00 | 1 | Latch, Spring Out |
| 21. | 116-1426-00 | 2 | Spring, N/F MPT 250GF (1 per order) |
| 22. | 116-1427-00 | 1 | Gear, MPT |
| 23. | 116-1594-00* | 1 | Assembly, Harness Duplex |
| 24. | | 2 | Bearing, MPT (NS) |
| 25. | 116-1430-00 | 2 | CAM, MPT (1 per order) |
| 26. | 116-1431-00 | 2 | Core, Roll, MPT (1 per order) |
| 27. | 116-1432-00 | 1 | Assembly, Feed Roll |
| 28. | | 1 | Shaft MPT (NS) |
| 29. | | | |
| 30. | | | |
| 31. | | | |

PL 6.1 Chute Assembly, Out - Service Parts List Table

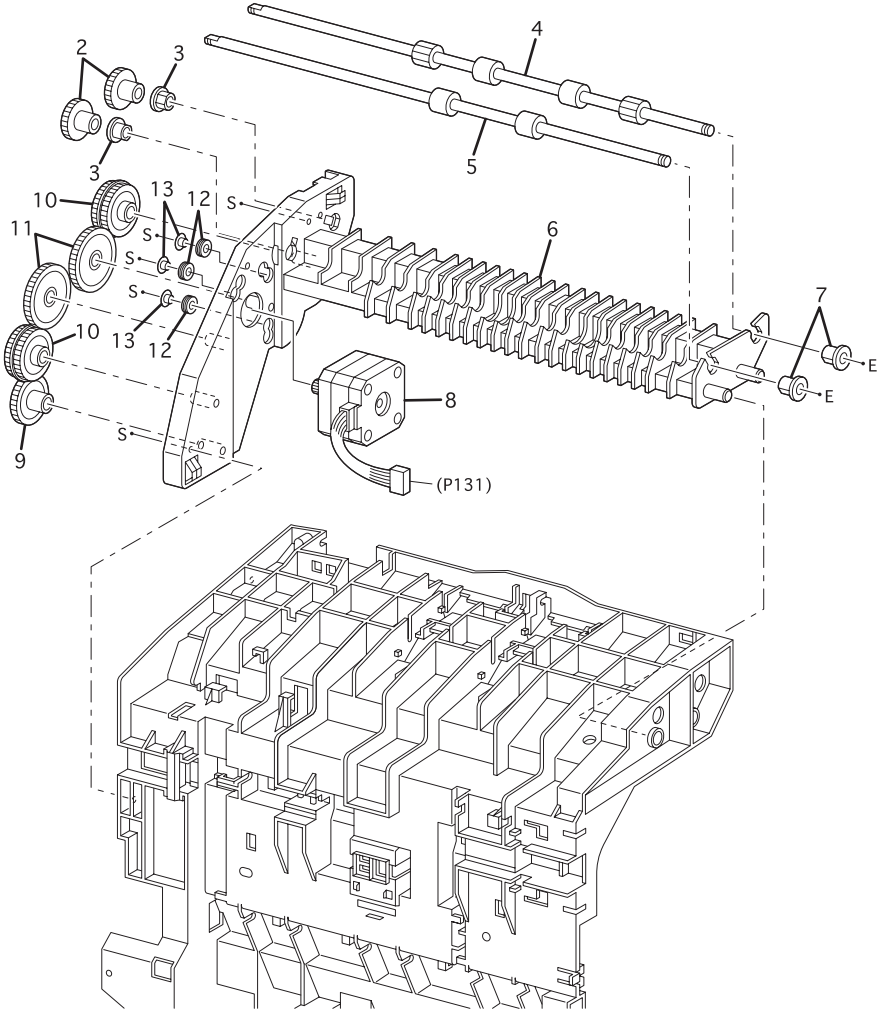
| ID No | Part Number | Qty | Name/Description |
|--------------|--------------------|------------|-----------------------------|
| 32. | | | |
| 33. | | | |
| 34. | | | |
| 35. | 116-1433-00 | 1 | Plate, Out MPT |
| 36. | 116-1434-00 | 1 | Sensor, Spring MPT |
| 37. | 116-1435-00 | 1 | Actuator, MPT |
| 38. | 116-1436-00 | 1 | Solenoid Stopper |
| 39. | 116-1437-00 | 1 | Solenoid, Spring |
| 40. | 116-1438-00 | 1 | Feed Solenoid, MPT |
| 41. | | 1 | Chute, Out (NS) |
| 42. | 116-1439-00 | 1 | Assembly, Bottom Plate, MPT |
| 43. | 116-1440-00 | 1 | Assembly, Wire, Earth GRND |

(This Page Intentionally Left Blank)

PL 7.1 Chute Assembly Exit

▼99 (with 12X3pcs, 13X3pcs)

▼1 (with 2~13)

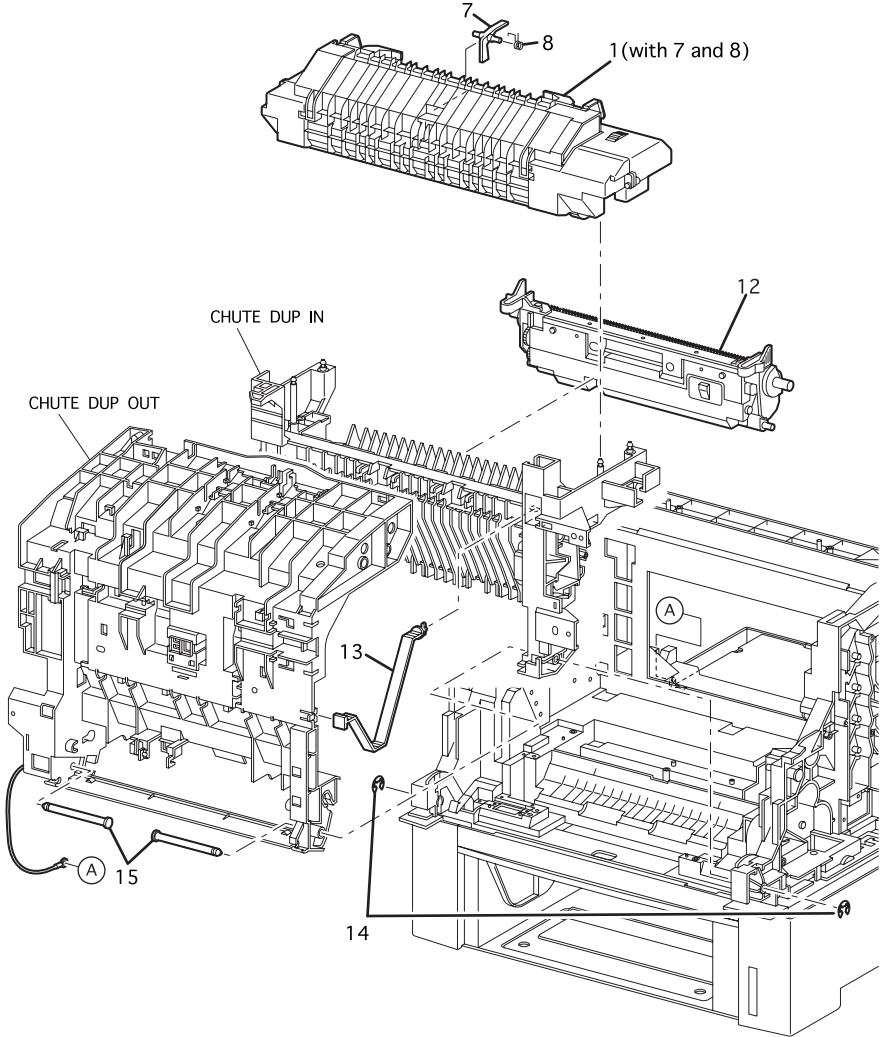


6250-294

PL 7.1 Chute Assembly, Exit - Service Parts List Table

| ID No. | Part Number | Qty | Name/Description |
|---------------|--------------------|------------|---|
| 1. | 116-1595-00* | 1 | Chute Assembly, Exit (with 2~13) |
| 2. | | 2 | Gear Roll (NS) |
| 3. | | 2 | Bearing Earth (NS) |
| 4. | | 1 | Roll, Exit (NS) |
| 5. | | 1 | Roll, Mid (NS) |
| 6. | | 1 | Chute, Exit Lower (NS) |
| 7. | | 2 | Bearing (NS) |
| 8. | | 1 | Assembly, Duplex Motor (NS) |
| 9. | | 1 | Gear, 42 (NS) |
| 10. | | 2 | Gear, 40/42 (NS) |
| 11. | | 2 | Gear, 48 (NS) |
| 12. | | 3 | Grommet (NS, part of PL 7.1.99) |
| 13. | | 3 | Sleeve (NS, part of PL 7.1.99) |
| 99. | 116-1596-00* | 1 | Kit, Bushing (with 12, qty 3, 13 qty 3) |

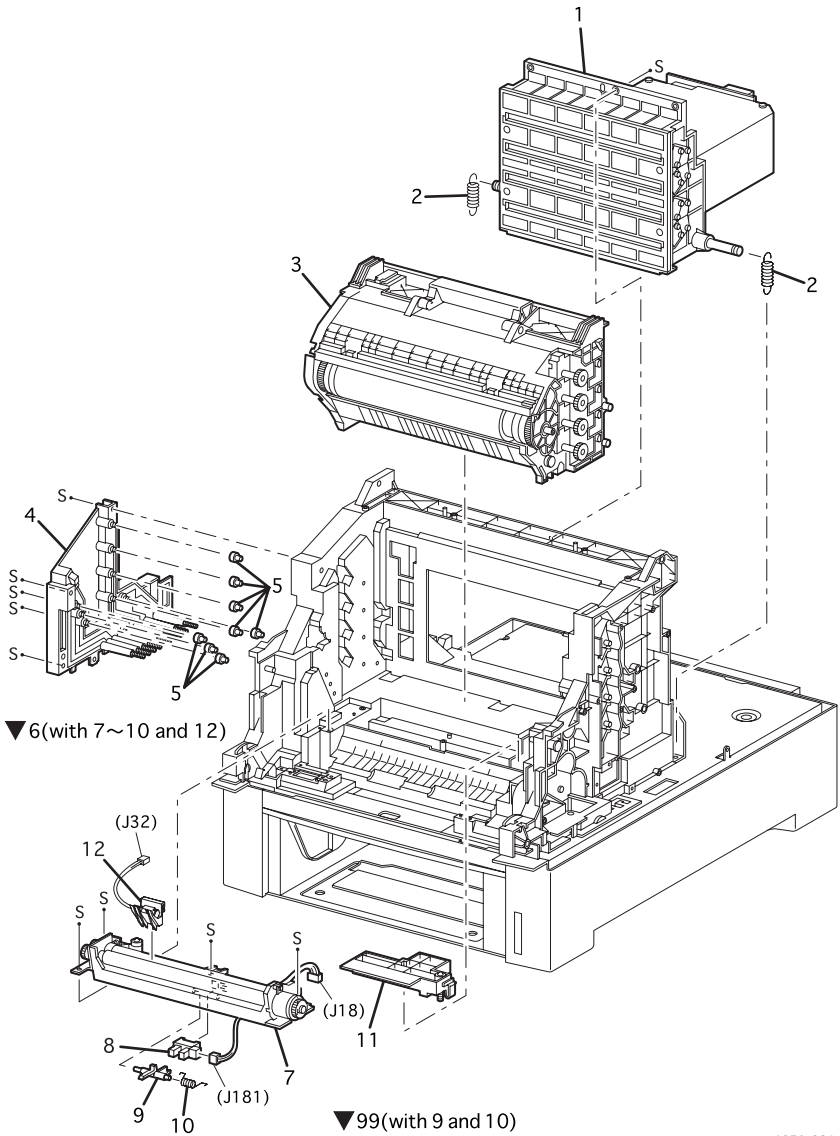
PL 8.1 Transfer Roller & Fuser Assembly (RMIs)



PL 8.1 Transfer Roller and Fuser - Service Parts List Table

| ID No. | Part Number | Qty | Name/Description |
|------------|-------------|-----|---|
| 1. | | | |
| 1a | 115R00029* | 1 | 110 V Fuser, Phaser 6250 (with 7 and 8) |
| 1b | 115R00030* | 1 | 220 V Fuser, Phaser 6250 (with 7 and 8) |
| 2. | --- | | --- |
| 3. | --- | | --- |
| 4. | --- | | --- |
| 5. | --- | | --- |
| 6. | --- | | --- |
| 7. | 116-1447-00 | 1 | Actuator, Exit |
| 8. | 116-1448-00 | 1 | Actuator, Spring |
| 9. | --- | | --- |
| 10. | --- | | --- |
| 11. | --- | | --- |
| 12. | 108R00592 | 1 | Transfer Roller, (BTR) |
| 13. | 116-1449-00 | 1 | Strap |
| 14. | 116-1528-00 | 2 | E-Ring (part of E-Ring Kit) |
| 15. | 116-1450-00 | 2 | Shaft, Pivot (1 per order) |

PL 9.1 Xerographics

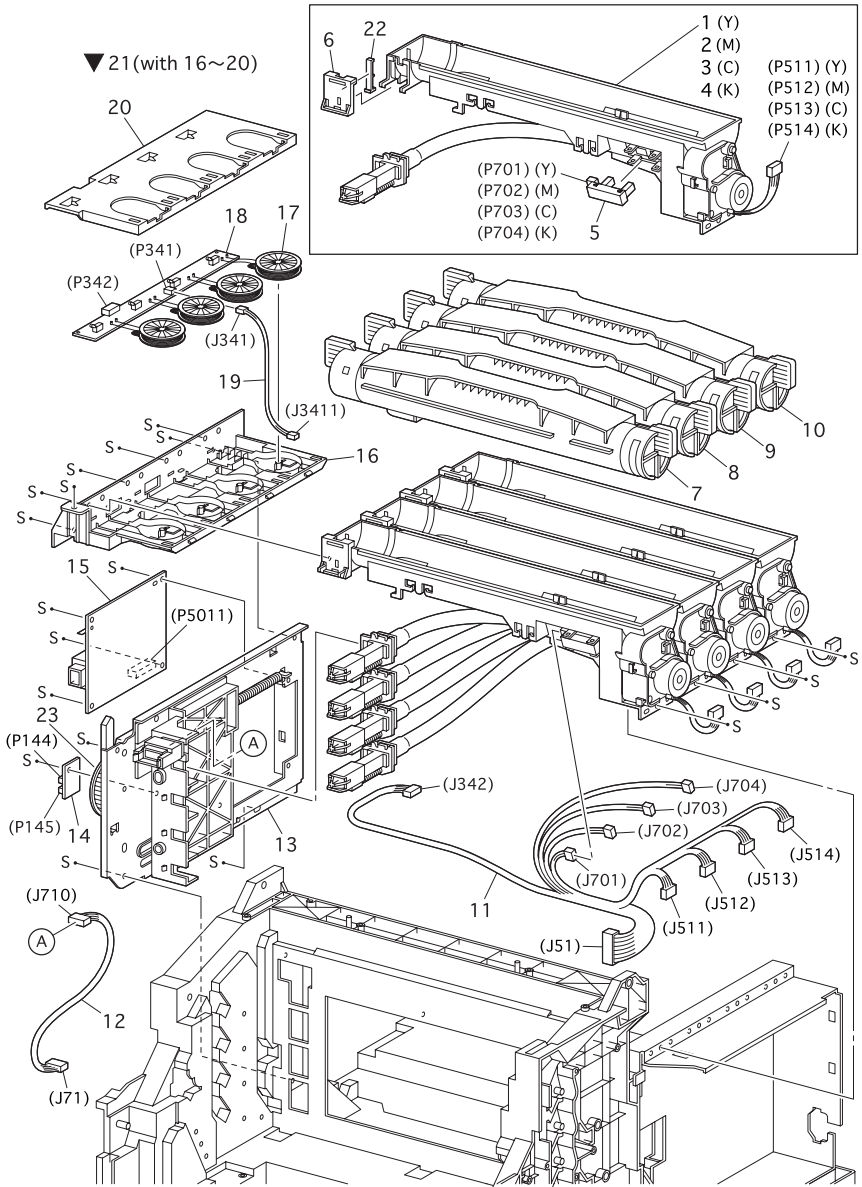


6250-296

PL 9.1 Xerographics - Service Parts List Table

| ID No. | Part Number | Qty | Name/Description |
|---------------|--------------------|------------|---|
| 1. | 116-1597-00* | 1 | Laser Unit |
| 2. | 116-1452-00 | 2 | Spring, ROS (1 per order) |
| 3. | 108R00591* | 1 | Imaging Unit, Phaser 6250 |
| 4. | 116-1453-00 | 1 | Bias Housing Assembly |
| 5. | 116-1454-00 | 8 | Plunger, Stud (Biasing Buttons) (1 per order) |
| 6. | 116-1598-00* | 1 | Assembly, Chute Registration (with 7~10 and 12) |
| 7. | | 1 | Registration Clutch (NS) |
| 8. | 116-1413-00 | 1 | Sensor, Registration |
| 9. | 116-1456-00 | 1 | Actuator, Registration |
| 10. | 116-1457-00 | 1 | Actuator Spring, Registration |
| 11. | 116-1458-00 | 1 | Assembly, Housing, Electrical |
| 12. | 116-1459-00 | 1 | OHP Sensor (with Harness) Kit |
| 99. | 116-1627-00 | 1 | Kit, Registration Sensor Actuator and Spring |

PL 10.1 Holder Toner Cartridge Assembly



6250-497

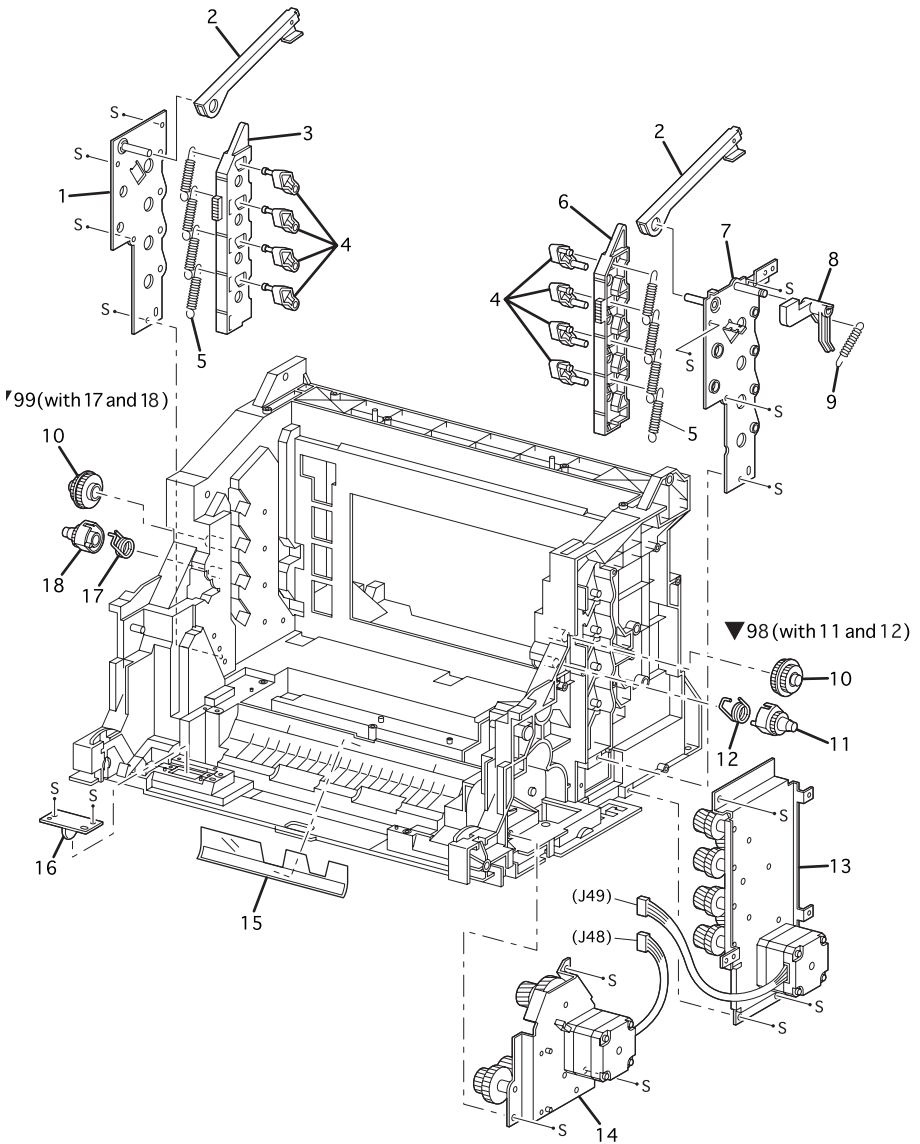
PL 10.1 Toner Cartridge Holder Unit Assemblies - Service Parts List

| ID No. | Part Number | Qty | Name/Description |
|--------|--------------|-----|---|
| 1. | 116-1599-00* | 1 | Holder, Toner Cartridge Assembly, Yellow |
| 2. | 116-1600-00* | 1 | Holder, Toner Cartridge Assembly, Magenta |
| 3. | 116-1601-00* | 1 | Holder, Toner Cartridge Assembly, Cyan |
| 4. | 116-1602-00* | 1 | Holder, Toner Cartridge Assembly, Black |
| 5. | 116-1603-00* | 1 | Sensor, No Toner |
| 6. | 116-1604-00* | 1 | Switch Bracket, Toner CTG-IN |
| 7. | 106R00670* | 1 | Yellow Toner Cartridge, Standard-Capacity |
| | 106R00674* | 1 | Yellow Toner Cartridge, High-Capacity |
| 8. | 106R00669* | 1 | Magenta Toner Cartridge, Standard-Capacity |
| | 106R00673* | 1 | Magenta Toner Cartridge, High-Capacity |
| 9. | 106R00668* | 1 | Cyan Toner Cartridge, Standard-Capacity |
| | 106R00672* | 1 | Cyan Toner Cartridge, High-Capacity |
| 10. | 106R00671* | 1 | Black Toner Cartridge, Standard-Capacity |
| | 106R00675* | 1 | Black Toner Cartridge, High-Capacity |
| 11. | 116-1606-00* | 1 | Harness Assy, TNR4 (J51-J511/J432/J512/J513/J514/J701/J703/J704/J342) |
| 12. | 116-1467-00 | 1 | Assembly , Harness CRUM (J71-J710) |
| 13. | 116-1633-00* | 1 | Assembly, Plate Dispenser |
| 14. | 116-1468-00 | 1 | **Circuit Board, EEPROM |
| 15. | 116-1469-00 | 1 | Sub-High-Voltage Power Supply |
| 16. | | 1 | HSG Base, CRUM (NS, part of item 21) |
| 17. | | 1 | HSG Assy, Coil Reader (NS, part of item 21) |
| 18. | | 1 | Circuit Board, CRUM Reader (NS, part of item 21) |
| 19. | | 1 | Harness Assy, RF1D2 (J341~J3411)(NS, part of item 21) |
| 20. | | 1 | Cover, CRUM Holder (NS, part of item 21) |
| 21. | 116-1607-00* | 1 | Box Assy, CRUM Reader (with 16 ~ 20) |
| 22. | 116-1605-00* | 1 | Actuator, Toner CTG-IN |
| 23. | 116-1630-00 | 1 | Kit, Rack V (Gear, Rack) |

Note

** When a new EEPROM Board is installed in the printer, the CRUM data written to the EEPROM makes it unique to that printer. The EEPROM board cannot be re-used in another printer.

PL 11.1 Frame and Drive Assemblies

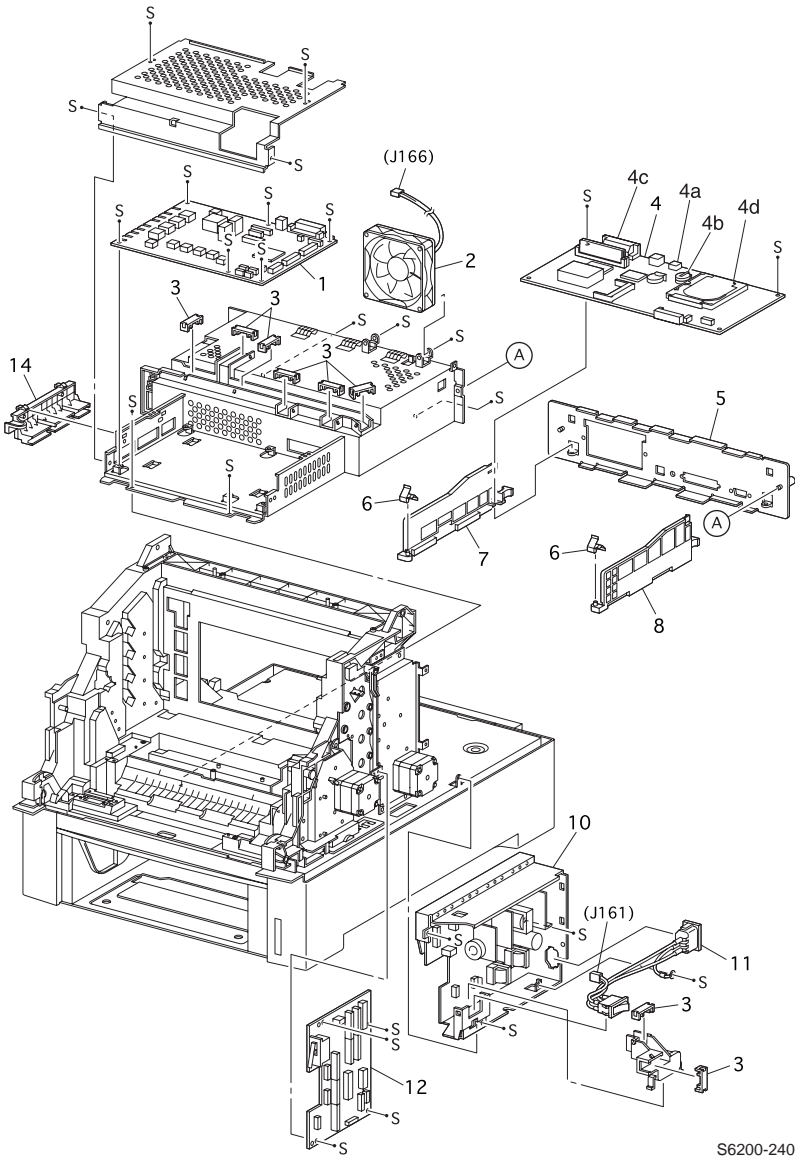


6250-297

PL 11.1 Frame and Drive Assemblies - Service Parts List Table

| ID No. | Part Number | Qty | Name/Description |
|--------|--------------|-----|-------------------------------------|
| 1. | | 1 | Lever, Plate Left (NS) |
| 2. | 116-1471-00 | 2 | Lever, Bracket (1 per order) |
| 3. | 116-1472-00 | 1 | Lever, Link , Left |
| 4. | 116-1473-00 | 8 | Lever, Drum (1 per order) |
| 5. | 116-1474-00 | 8 | Lever, Spring (1 per order) |
| 6. | 116-1475-00 | 1 | Link Lever, Right |
| 7. | | 1 | Lever, Plate Right (NS) |
| 8. | 116-1476-00 | 1 | Actuator, I/L |
| 9. | 116-1477-00 | 1 | Spring, I/L |
| 10. | 116-1478-00 | 2 | Press, Gear IDL (1 per order) |
| 11. | 116-1479-00 | 1 | Press, Gear Right |
| 12. | 116-1480-00 | 1 | Spring, IDT Right |
| 13. | 116-1608-00* | 1 | Assembly, Developer Drive |
| 14. | 116-1609-00* | 1 | Assembly, Main Drive |
| 15. | 116-1483-00 | 1 | Registration, Film |
| 16. | 116-1484-00 | 1 | Circuit Board, Earth GRND (Ground) |
| 17. | 116-1485-00 | 1 | Spring, IDT Left |
| 18. | 116-1486-00 | 1 | Press, Gear, Left |
| 98. | 116-1610-00 | 1 | Gear Assy, Press R (with 11 and 12) |
| 99. | 116-1611-00 | 1 | Gear Assy, Press L (with 17 and 18) |

PL 12.1 Electrical

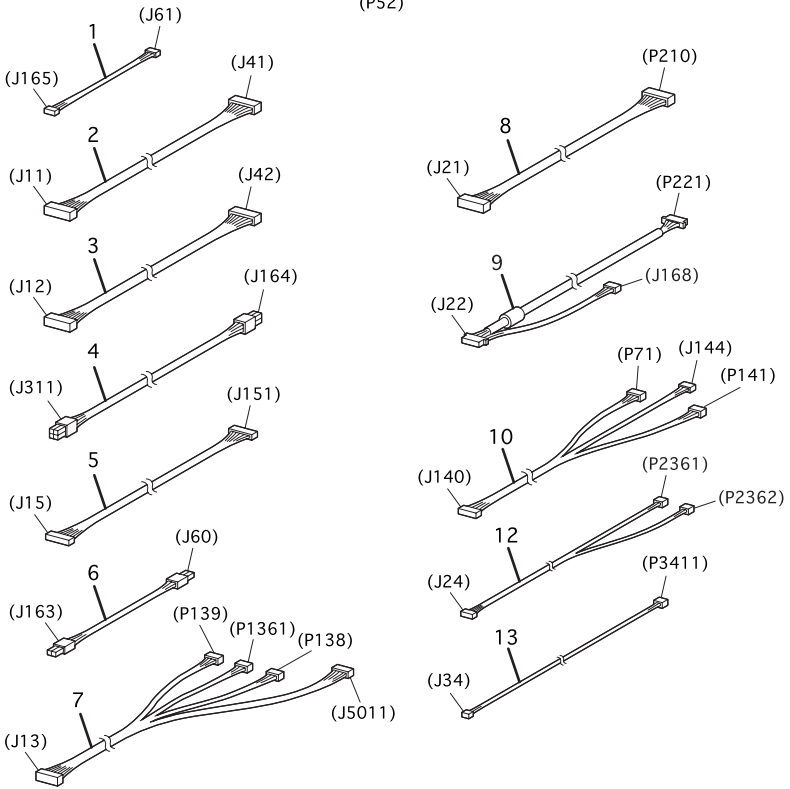
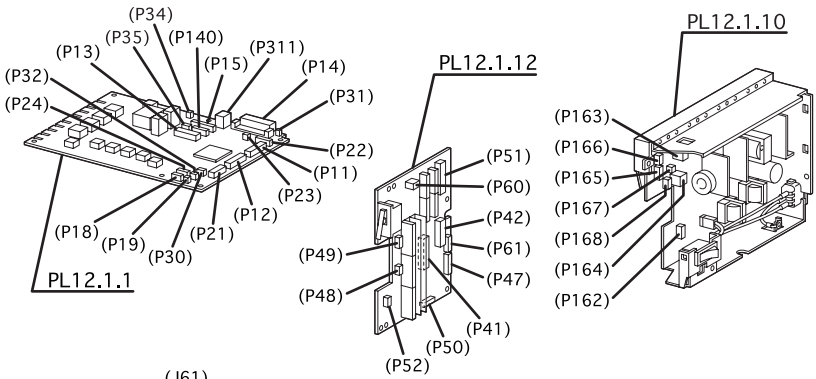


S6200-240

PL 12.1 Electrical - Service Parts List Table

| ID No. | Part Number | Qty | Name/Description |
|--------|---|-----|--|
| 1 | 116-1612-00* | 1 | Circuit Board, Engine Control |
| 2 | 116-1488-00 | 1 | Rear Fan |
| 3 | 116-1489-00 | 2 | Harness, Clamp Guide (1 per order) |
| 4 | 650-4271-01* | 1 | Image Processor Board, no configuration chip, no memory, no NVRAM, no Hard Drive |
| 4a | 163-1459-00 | | IC, Memory NVRAM Configuration Chip = "I" button |
| 4b | 163-1500-00 163-1501-00 163-1502-00 | | IC, Base Configuration Chip IC, Network Configuration Upgrade Chip IC, DP/DX Configuration Upgrade Chip |
| 4c | 156-4838-00 156-4837-00 156-4663-00 | | Memory 64 MB, 8M x 64, PC133; Memory DIMM 128 MB, 16M x 64, PC133; Memory DIMM 256 MB, 32M x 64, PC133; Memory DIMM |
| 4d | 650-4281-00* | | Internal Hard Drive, Phaser 6250 Service Part |
| 5 | | 1 | Plate, Rear, Image Processor Board (NS) |
| 6 | | 2 | Spring, Ground, Image Processor Board (NS) |
| 7 | | 1 | Guide Right - Engine Control Board (NS) |
| 8 | | 1 | Guide Left - Engine Control Board (NS) |
| 9 | --- | | --- |
| 10a | 116-1613-00* | 1 | Low-Voltage Power Supply 110 V |
| 10b | 116-1614-00* | 1 | Low-Voltage Power Supply 220 V |
| 11 | 116-1496-00 | 1 | Assembly, Harness, AC Switch |
| 12 | 116-1615-00* | 1 | Circuit Board, Motor Driver |
| 13 | --- | | --- |
| 14 | 116-1498-00 | 1 | Housing Assembly Contact |

PL 13.1 Harness Assemblies



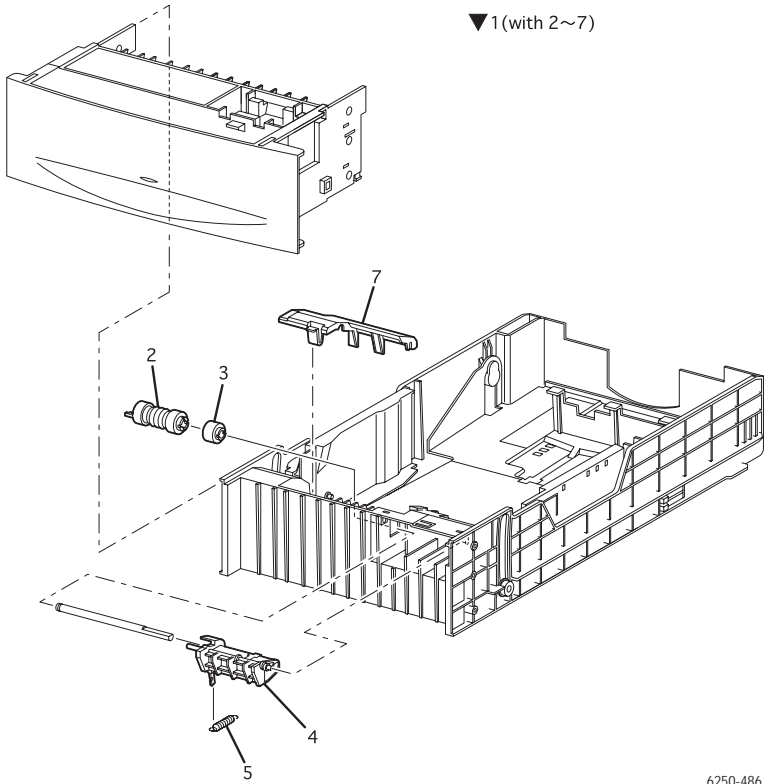
6250-299

PL 13.1 - Harness Assemblies - Service Parts List Table

| ID No. | Part Number | Qty | Name/Description |
|--------|--------------|-----|---|
| 1. | 116-1616-00* | 1 | Assembly, Harness, LVNC (J165-61) |
| 2. | 116-1500-00 | 1 | Assembly, Harness, DRV 1 (J11-J41) |
| 3. | 116-1617-00* | 1 | Assembly, Harness, DRV 2 (J12-J42) |
| 4. | 116-1502-00 | 1 | Assembly, Harness, LVRPG (J164-311) |
| 5. | 116-1504-00 | 1 | Assembly, Harness, ROSKA (J15-J151) |
| 6. | 116-1503-00 | 1 | Assembly, Harness, 24 V (J60-J163) |
| 7. | 116-1505-00 | 1 | Assembly, Harness, FRONT 1A (J13-P138/P139/P1361/J5011) |
| 8. | 116-1506-00 | 1 | Assembly, Harness, OPF MAIN (J121-P210) |
| 9. | 116-1507-00 | 1 | Assembly, Harness, OPEPANE OPA (J22-J168/P221) |
| 10. | 116-1508-00 | 1 | Assembly, Harness, EEPROM (J140-P71/J144/P141) |
| 11. | | | |
| 12. | 116-1618-00* | 1 | Assembly, Harness, TMPNCS (J24-J2361/P2362) |
| 13. | 116-1620-00* | 1 | Assembly, Harness, RFID (J34-P3411) |
| 14. | | | |

Optional High-Capacity Feeder

PL 14.1 Paper Trays 3 & 4

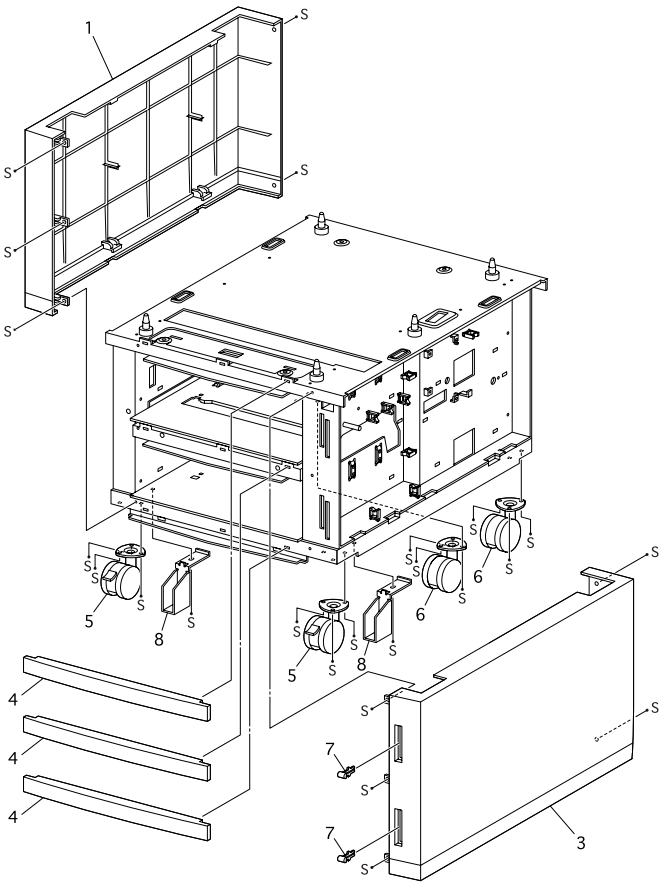


6250-486

PL 14.1 Tray 3 & 4, Universal Paper - Service Parts List Table

| ID No. | Part Number | Qty | Name/Description |
|--------|--------------|-----|--|
| 1. | 116-1378-00* | 1 | Universal Paper Tray (with 2~6) |
| 2. | 116-1331-00 | 2 | Paper Feed Roller Kit** **(2 interchangeable rollers per order) |
| 3. | 116-1332-00 | 1 | Assembly, Friction Clutch |
| 4. | | 1 | Holder, Retard (NS) |
| 5. | 116-1632-00* | 1 | Spring, Retard |
| 6. | | | |
| 7. | 116-1490-00 | | Chute Guide Cover |

PL 14.2 High-Capacity Feeder Covers



opf partslist0001FC

PL 14.2 High-Capacity Feeder Covers- Service Parts List Table

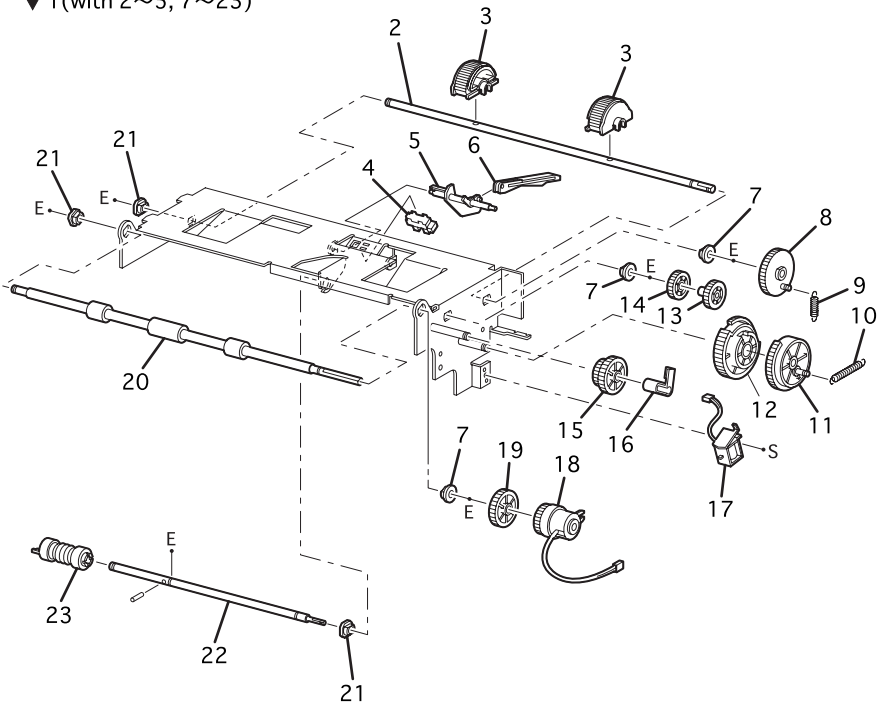
| ID No. | Part Number | Qty | Name/Description |
|-----------|-------------|-----|------------------------------------|
| 1. | 116-1510-00 | 1 | Cover, Left |
| 2. | | | |
| 3. | 116-1511-00 | 1 | Cover, Right |
| 4. | 116-1512-00 | 3 | Cover, Front (1 per order) |
| 5. | 116-0009-00 | 2 | Castors, Locking (1 per order) |
| 6. | 116-0008-00 | 2 | Castors, Non-Locking (1 per order) |
| 7. | 116-1514-00 | 2 | Indicator, Paper (1per order) |
| 8. | | 2 | Guide Caster (NS) |

PL 14.3 High-Capacity Feeder Guides and Chute - Service Parts List Table

| ID No. | Part Number | Qty | Name/Description |
|---------------|--------------------|------------|---|
| 1. | | | Guide Assembly, Left (with 3 and 8) (NS) |
| 2. | | | Guide Assembly, Right (with 5 and 6) (NS) |
| 3. | 116-1515-00 | 2 | Guide, Tray Left (1 per Tray) |
| 4. | | | |
| 5. | 116-1516-00 | 2 | Guide, Tray Right (1 per Tray) |
| 6. | 116-1343-00 | 2 | Assembly, Paper Size Switch (1 per Tray) |
| 7. | 116-1336-00 | 2 | Assembly, Turn Chute (1 per Tray) |
| 8. | 116-1351-00 | 2 | Paper Tray Stopper(1 per Tray) |
| 9. | | 2 | Cover, Rear (1 per Tray)) |

PL 14.4 Paper Pick Assembly Trays 3 & 4

▼1 (with 2~5, 7~23)



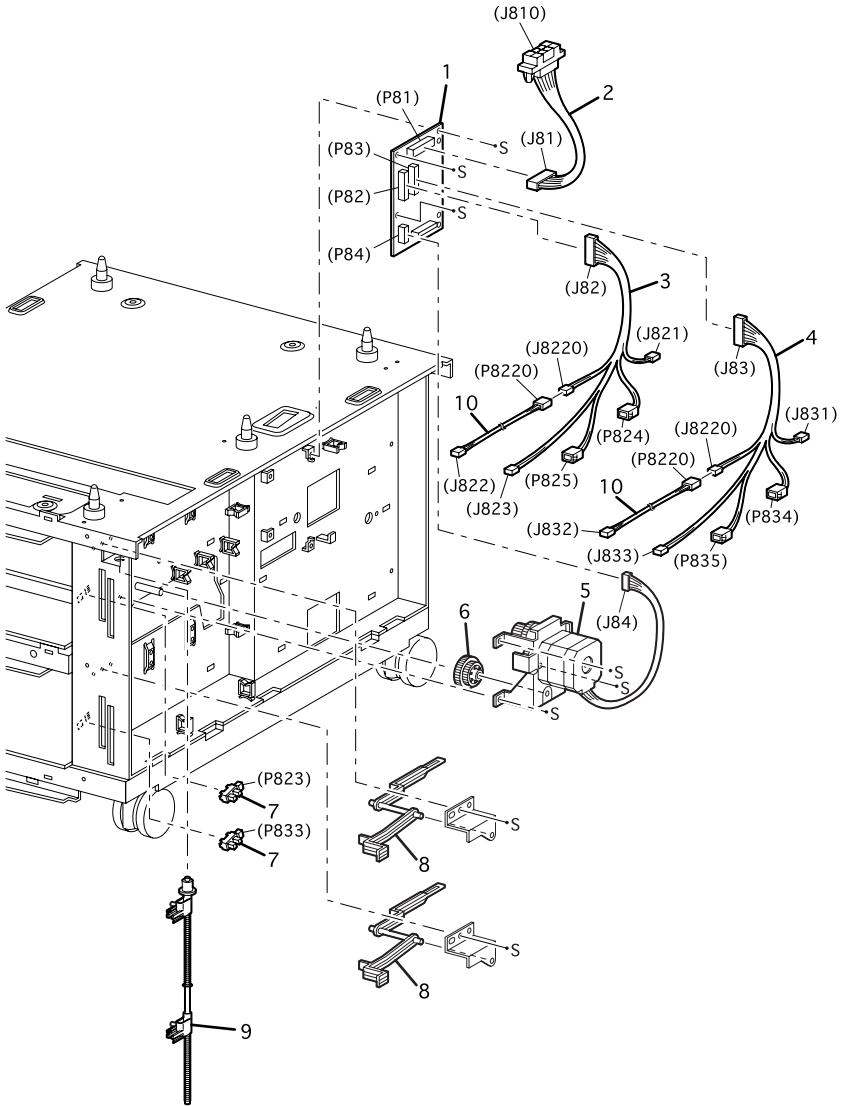
▼99 (with 8, 11~15 and 19)

6250-484

PL 14.4 Paper Pick Assembly Trays 3 & 4 - Service Parts List Table

| ID No. | Part Number | Qty | Name/Description |
|--------|-------------|-----|---|
| 1. | 116-1517-00 | 1 | Paper Pick Assembly, LTA (with 2~5, 7~23) |
| 2. | | 1 | Shaft, Feed 1 (NS) |
| 3. | 116-1353-01 | 2 | Paper Pick Roller Kit (2 per order) |
| 4. | 116-1354-00 | 1 | Sensor, No Paper, Low Paper |
| 5. | 116-1355-00 | 1 | Actuator, No Paper |
| 6. | 116-1356-00 | 1 | Actuator, Link (Not included with item 1) |
| 7. | | 3 | Bearing - Metal (NS) |
| 8. | | 1 | Gear, Feed 1 (NS) |
| 9. | | 1 | Spring, Feed 1 (NS) |
| 10. | | 1 | Spring, Feed H (NS) |
| 11. | | 1 | Gear, Feed H2 (NS part of 99) |
| 12. | | 1 | Gear, Feed H1 (NS part of 99) |
| 13. | | 1 | Gear, Feed 2 (NS part of 99) |
| 14. | | 1 | Gear, Idler Feed (NS part of 99) |
| 15. | | 1 | Gear, Idler (NS part of 99) |
| 16. | | 1 | Clutch Stopper (NS) |
| 17. | 116-1361-00 | 1 | Feed Solenoid, |
| 18. | 116-1362-00 | 1 | Assembly, Turn Clutch |
| 19. | | 1 | Gear, Idler In (NS part of 99) |
| 20. | 116-1363-00 | 1 | Assembly, Roll Turn |
| 21. | | 2 | Bearing, Black (NS) |
| 22. | | 1 | Shaft, Feed 2 (NS) |
| 23. | 116-1331-00 | 2 | Paper Feed Roller Kit** **(2 interchangeable rollers per order) |
| 99. | 116-1367-00 | 1 | Paper Feed Gear Kit (with 8, 11~15 and 19) |

PL 14.5 High-Capacity Feeder Harness, Board and Motor



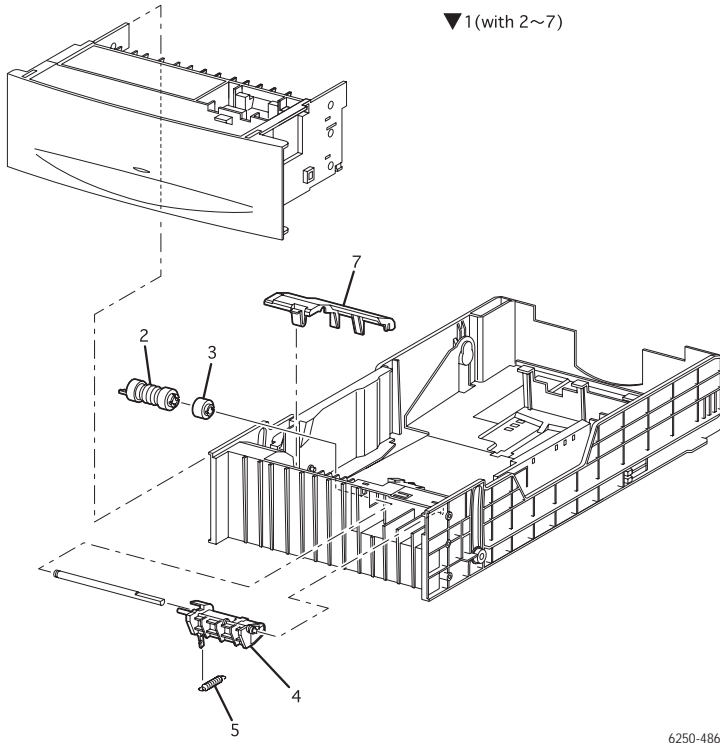
6250-485

PL 14.5 High-Capacity Feeder Harness, Board, Motor - Service Parts List Table

| ID No. | Part Number | Qty | Name/Description |
|---------------|--------------------|------------|---|
| 1. | 116-1622-00* | 1 | Circuit Board, Lower Feeder |
| 2. | 116-1519-00 | 1 | Assembly, OPT Feeder Plug |
| 3. | 116-1623-00* | 1 | Assembly, Harness, Tray 3 |
| 4. | 116-1521-00 | 1 | Assembly, Harness, Tray 4 |
| 5. | 116-1624-00* | 1 | Assembly, Drive, Feeder |
| 6. | | 1 | Gear, Idler (NS, part of PL 3.3.99) |
| 7. | 116-1354-00 | 2 | Sensor, No Paper, Low Paper (1 per order) |
| 8. | 116-1524-00 | 2 | Lever, Low Paper (1 per order) |
| 9. | 116-1525-00 | | Assembly, Indicator |
| 10. | 116-1526-00 | | Assembly, Harness, NPRSJ |

Optional 500-sheet Feeder

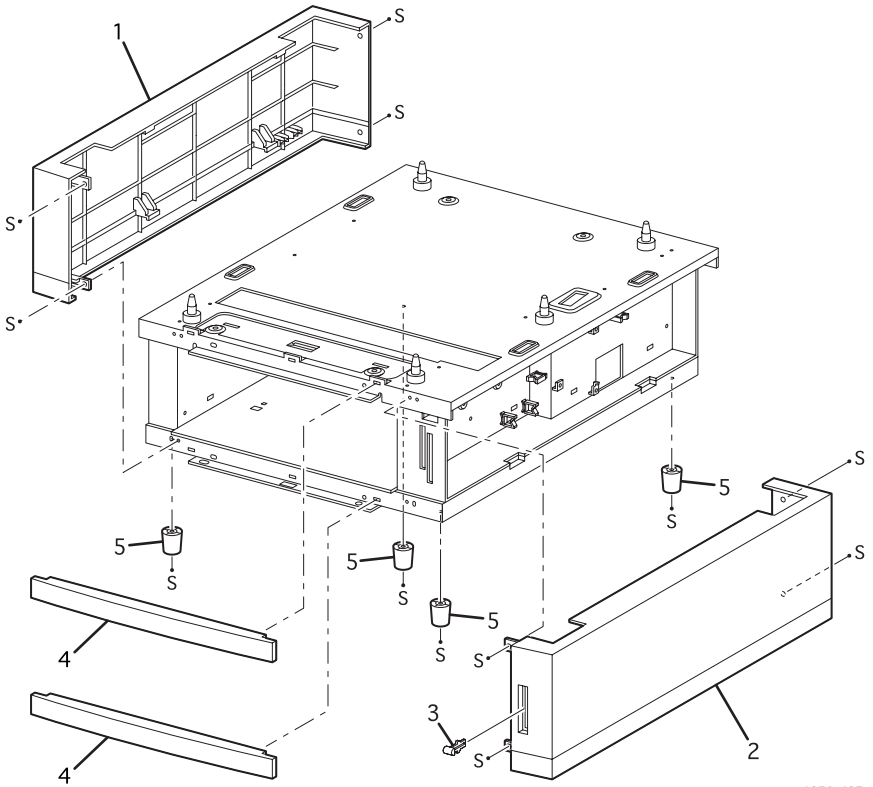
PL 15.1 Paper Tray 3



PL 15.1 Tray 3, Universal Paper - Service Parts List Table

| ID No. | Part Number | Qty | Name/Description |
|--------|--------------|-----|--|
| 1. | 116-1378-00* | 1 | Universal Paper Tray (with 2~6) |
| 2. | 116-1331-00 | 2 | Paper Feed Roller Kit** **(2 interchangeable rollers per order) |
| 3. | 116-1332-00 | 1 | Assembly, Friction Clutch |
| 4. | | 1 | Holder, Retard (NS) |
| 5. | 116-1632-00* | 1 | Spring, Retard |
| 6. | | | |
| 7. | 116-1490-00 | | Chute Guide Cover |

PL 15.2 500-sheet Feeder Covers

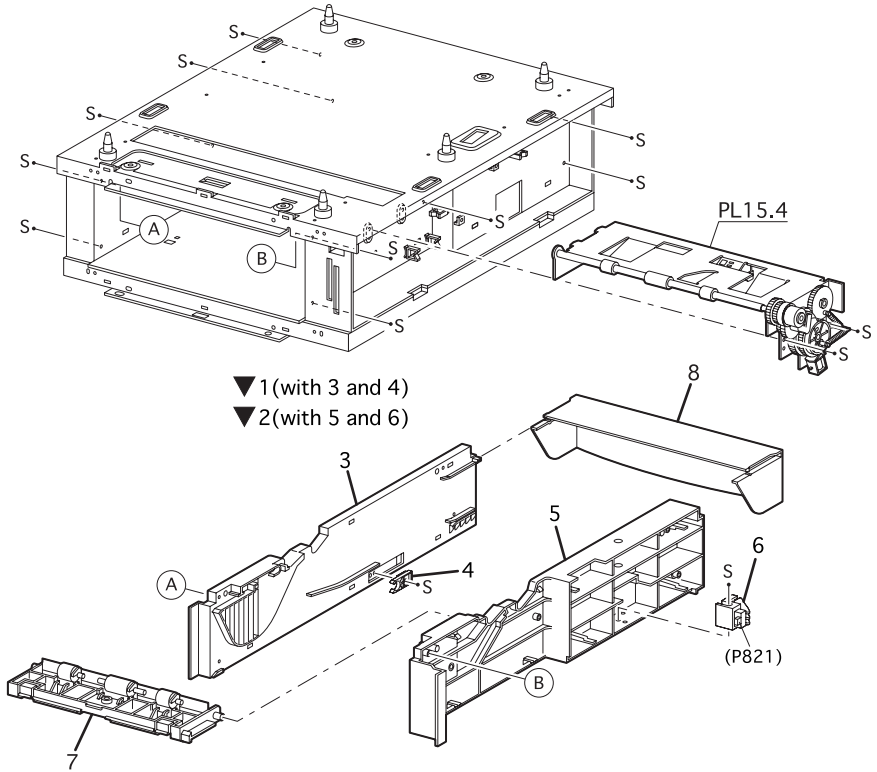


6250-427

PL 15.2 500-sheet Feeder Covers- Service Parts List Table

| ID No. | Part Number | Qty | Name/Description |
|-----------|--------------|-----|------------------------------------|
| 1. | | 1 | Cover, Left (NS) |
| 2. | | 1 | Cover, Right (NS) |
| 3. | | 1 | Indicator, Paper (1per order) (NS) |
| 4. | | 2 | Cover, Front (1 per order) (NS) |
| 5. | 116-1626-00* | 4 | Kit, Feet (4 Feet and 4 screws) |

PL 15.3 500-sheet Feeder Guides and Turn Chute Assembly



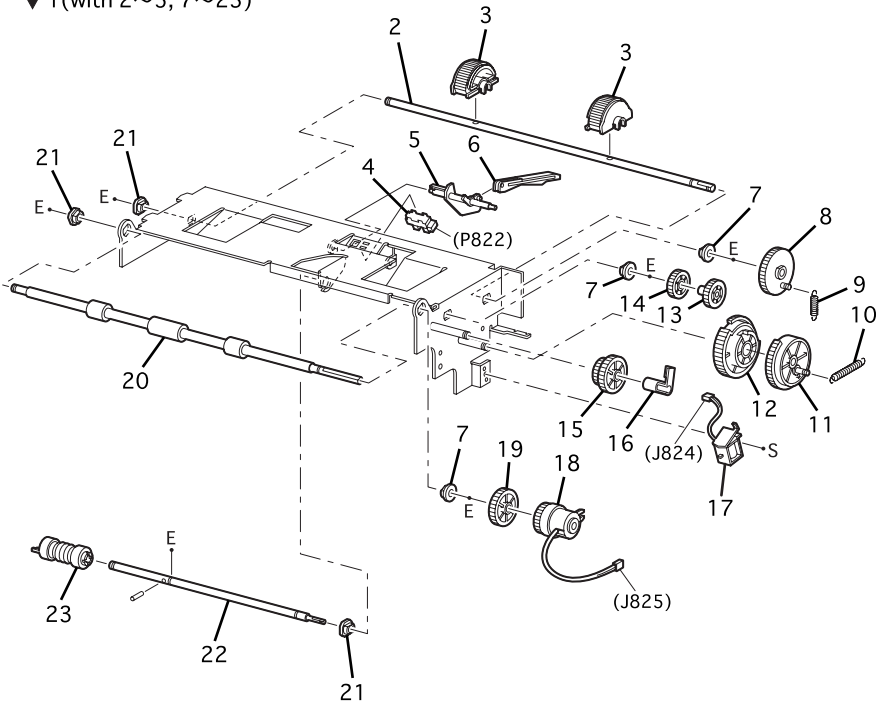
6250-428

PL 15.3 500-sheet Feeder Guides and Chute - Service Parts List Table

| ID No. | Part Number | Qty | Name/Description |
|---------------|--------------------|------------|---|
| 1. | | | Guide Assembly, Left (with 3 and 4) (NS) |
| 2. | | | Guide Assembly, Right (with 5 and 6) (NS) |
| 3. | 116-1515-00 | 1 | Guide, Tray Left |
| 4. | 116-1351-00 | 1 | Paper Tray Stopper |
| 5. | 116-1516-00 | 1 | Guide, Tray Right |
| 6. | 116-1343-00 | 1 | Assembly, Paper Size Switch |
| 7. | 116-1336-00 | 1 | Assembly, Turn Chute |
| 8. | 116-1491-00* | 1 | Cover, Paper Tray, Rear |

PL 15.4 Paper Pick Assembly Tray 3

▼1 (with 2~5, 7~23)



▼98 (with 3X2pcs)

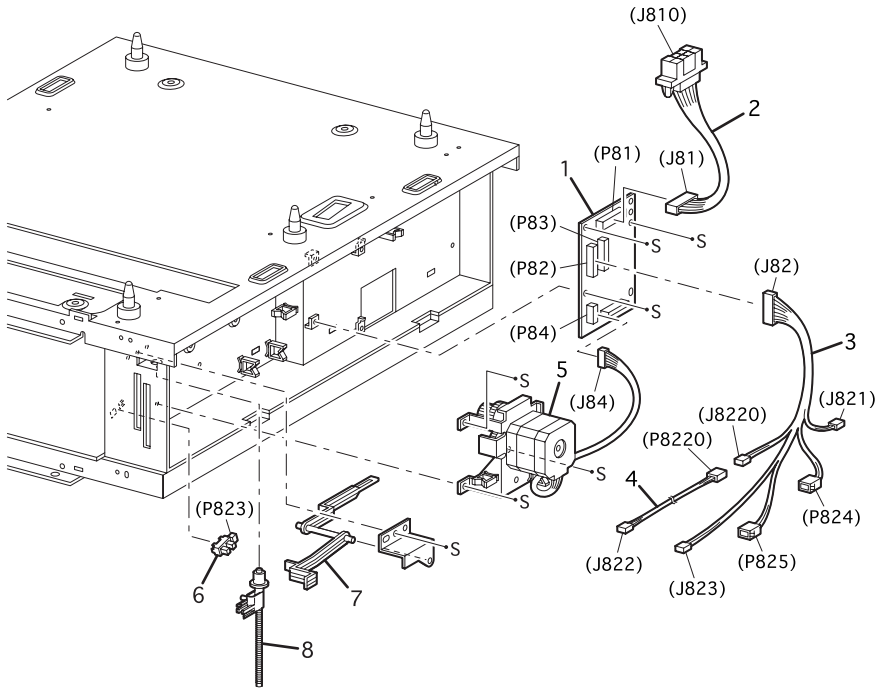
▼99 (with 8, 11~15 and 19)

6250-429

PL 15.4 Paper Pick Assembly Tray 3 - Service Parts List Table

| ID No. | Part Number | Qty | Name/Description |
|--------|-------------|-----|---|
| 1. | 116-1517-00 | 1 | Paper Pick Assembly, LTA (with 2~5, 7~23) |
| 2. | | 1 | Shaft, Feed 1 (NS) |
| 3. | 116-1353-01 | 2 | Paper Pick Roller Kit (2 per order) |
| 4. | 116-1354-00 | 1 | Sensor, No Paper, Low Paper |
| 5. | 116-1355-00 | 1 | Actuator, No Paper |
| 6. | 116-1356-00 | 1 | Actuator, Link (Not included with Item 1) |
| 7. | | 3 | Bearing - Metal (NS) |
| 8. | | 1 | Gear, Feed 1 (NS) |
| 9. | | 1 | Spring, Feed 1 (NS) |
| 10. | | 1 | Spring, Feed H (NS) |
| 11. | | 1 | Gear, Feed H2 (NS part of 99) |
| 12. | | 1 | Gear, Feed H1 (NS part of 99) |
| 13. | | 1 | Gear, Feed 2 (NS part of 99) |
| 14. | | 1 | Gear, Idler Feed (NS part of 99) |
| 15. | | 1 | Gear, Idler (NS part of 99) |
| 16. | | 1 | Clutch Stopper (NS) |
| 17. | 116-1361-00 | 1 | Feed Solenoid, |
| 18. | 116-1362-00 | 1 | Assembly, Turn Clutch |
| 19. | | 1 | Gear, Idler In (NS part of 99) |
| 20. | 116-1363-00 | 1 | Assembly, Roll Turn |
| 21. | | 2 | Bearing, Black (NS) |
| 22. | | 1 | Shaft, Feed 2 (NS) |
| 23. | 116-1331-00 | 2 | Paper Feed Roller Kit** **(2 interchangeable rollers per order) |
| 99. | 116-1367-00 | 1 | Paper Feed Gear Kit (with 8, 11~15 and 19) |

PL 15.5 500-sheet Feeder Harness, Board and Motor



6250-430

PL 15.5 500-sheet Feeder Harness, Board, Motor - Service Parts List Table

| ID No. | Part Number | Qty | Name/Description |
|--------|--------------|-----|---------------------------------------|
| 1. | 116-1622-00* | 1 | Circuit Board, Lower Feeder |
| 2. | 116-1519-00 | 1 | Assembly, OPT Feeder Plug |
| 3. | 116-1623-00* | 1 | Assembly, Harness, Tray 3 |
| 4. | 116-1526-00 | 1 | Assembly, Harness, NPRSJ |
| 5. | 116-1635-00* | 1 | Assembly, Drive, Feeder (Single Tray) |
| 6. | 116-1354-00 | 1 | Sensor, No Paper, Low Paper |
| 7. | 116-1524-00 | 1 | Lever, Low Paper |
| 8. | | 1 | Assembly, Indicator (NS) |

Xerox Supplies and Accessories

Repair Kits, World Kits and Repacking Kits

| Description | Part Number |
|--|--------------|
| Kit, Gear, Paper Feed | 116-1367-00 |
| Kit, Bush, Exit Chute | 116-1596-00* |
| Kit, OHP Sensor with Harness | 116-1459-00 |
| Kit, Registration Sensor Actuator and Spring | 116-1627-00* |
| Kit, Printer Feet | 116-1625-00* |
| Kit Screw, Assorted | 116-1527-00 |
| Kit, Long Screw (M3 x 85) (2 each) | 212-0237-00 |
| Kit, E-Rings, Assorted | 116-1528-00 |
| Kit, Sensor Actuator, Assorted Actuators | 116-1131-00* |
| Kit, Paper Feed Rollers (2 interchangeable Rollers per) | 116-1331-00 |
| Paper Pick Rollers (2 interchangeable Rollers per) | 116-1353-01 |
| Main Shipping Box, Phaser 6250 | 004-5317-00* |
| Phaser 6250, World Kit | 061-4482-00* |
| Repackaging Kit, Phaser 6250 | 065-0625-00 |
| Repackaging Kit, High-Capacity Feeder, Phaser 6250 | 065-0611-00* |
| Repackaging Kit, 500 Sheet Feeder, Phaser 6250 | 065-0627-00* |

Power Cords

| Description | Part Number |
|------------------------------------|-------------|
| Cable Assy, 3,18AWG, 115 V, 98, 0L | 161-0066-00 |
| Cable PWR EURO 220V , 99L | 161-0066-09 |
| Cable PWR U.K. 240 V, 96L | 161-0066-10 |

Power Cords

| Description | Part Number |
|-----------------------------------|-------------|
| Cable PWR AUST 240 V, 96L | 161-0066-11 |
| Cable Assy SWISS 220/240 V, 50 Hz | 161-0154-00 |
| Cable Assy PWR. DANISH, 250 V | 161-0240-00 |
| Cable Assy PWR, PRC | 161-0304-00 |
| Power, 240 V, ARGENTINA | 161-0307-00 |

Upgrade Kits and Options

| Description | Part Number |
|--------------------------------------|--------------|
| Internal Hard Drive, Service Part | 650-4281-00* |
| Memory | |
| 64 MB, 8M x 64, PC133; Memory DIMM | 156-4838-00 |
| 128 MB, 16M x 64, PC133; Memory DIMM | 156-4837-00 |
| 256 MB, 32M x 64, PC133; Memory DIMM | 156-4663-00 |
| High-Capacity Feeder w/ Trays | 119-6474-00* |
| Casters Non-Locking | 116-0008-00 |
| Casters Locking | 116-0009-00 |
| 500-sheet Feeder w/ Tray | 119-6418-00* |
| Printer Feet | 116-1344-00 |
| IC, Base Configuration Chip | 163-1500-00* |
| IC, Network Configuration Chip | 163-1501-00* |
| IC, DP/DX Configuration Chip | 163-1502-00* |
| IC, Memory NVRAM | 163-1459-00* |

Consumables

| Description | Part Number |
|--|-------------|
| Toner Cartridges - Phaser 6250 all | |
| Yellow Toner Cartridge, Standard-Capacity | 106R00670* |
| Yellow Toner Cartridge, High-Capacity | 106R00674* |
| Magenta Toner Cartridge, Standard Capacity | 106R00669* |
| Magenta Toner Cartridge, High-Capacity | 106R00673* |

Consumables

| Description | Part Number |
|--|-------------|
| Cyan Toner Cartridge, Standard-Capacity | 106R00668* |
| Cyan Toner Cartridge, High-Capacity | 106R00672* |
| Black Toner Cartridge, Standard-Capacity | 106R00671* |
| Black Toner Cartridge, High-Capacity | 106R00675* |

Routine Maintenance Items

| Description | Part Number |
|--------------------------------|--------------|
| Imaging Unit, Phaser 6250 | 108R00591* |
| Fuser, Phaser 6250 | |
| 110 V | 115R00029* |
| 220 V | 115R00030* |
| Transfer Roller | 108R00592 |
| Universal Paper Tray (2, 3, 4) | 116-1378-00* |
| Paper Feed Roller Kit | 116-1331-00 |

Software and Documentation

| Description | Part Number |
|--|--------------------------|
| Printer Installer and Utilities CD-ROM | Included in World Kit |
| User Documentation CD-ROM | Included in World Kit |
| Service Manual | 071-0869-00* |

Phaser Media

| Description | Part Number |
|--------------------------------------|-------------|
| Phaser Premium Paper, A, 500 Sheets | 016-1368-00 |
| Phaser Premium Paper, A4, 500 Sheets | 016-1369-00 |

Phaser Media (Continued)

| Description | Part Number |
|---|--------------------|
| Phaser Glossy Coated Paper, A, 100 Sheets | 016-1704-00 |
| Phaser Glossy Coated Paper, A4 100 Sheets | 016-1705-00 |
| Phaser Color Printing Labels, A, 30 per, 100 Sheets | 016-1812-00 |
| Phaser Color Printing Labels, A, 6 per, 100 Sheets | 016-1813-00 |
| Phaser Color Printing Labels, A4, 14 per, 100 Sheets | 016-1814-00 |
| Phaser Color Printing Labels, A4, 8 per, 100 Sheets | 016-1815-00 |
| Phaser Premium Cover Paper, A, 100 Sheets | 016-1823-00 |
| Phaser Premium Cover Paper, A4, 100 Sheets | 016-1824-00 |
| Phaser CD/DVD Label and Applicator; contains 1 Applicator & 1 Jewel Case | 016-1885-00 |
| Phaser CD/DVD Labels and Inserts, 1 Insert/Sheet, Letter (8.5 x 11 in.), 20 Sheets, 2 Labels per Sheet, 10 Sheets | 016-2011-00 |
| Phaser CD/DVD Labels and Inserts, A4, (210 x 297mm) 1 Insert/Sheet, 20 Sheets, 2 Labels per Sheet, 10 Sheets | 016-2026-00 |
| Phaser Premium Business Card Media, A, 10 per 25 Sheets | 016-1898-00 |
| Phaser Premium Business Card Media, A4, 10 per 25 Sheets | 016-1899-00 |
| Phaser 25-Series Premium Transparency Film, Letter (8.5 x 11 in.), 50 Sheets | 016-1948-00 |
| Phaser 25-Series Premium Transparency Film, A4 (210 x 297mm), 50 Sheets | 016-1949-00 |
| Phaser Premium Greeting Cards w/ Envelopes, A, 50 sheets | 016-1987-00 |
| Phaser Premium Greeting Cards w/ Envelopes, A4, 50 sheets | 016-1988-00 |
| Phaser Digital Photo Paper, A, 50 Sheets | 016-2009-00 |

Phaser Media (Continued)

| Description | Part Number |
|---|--------------------|
| Phaser Digital Photo Paper, A4, 50 Sheets | 016-2010-00 |
| Phaser Premium Postcards, Letter (8.5 x 11 in.), 100 Sheets | 103R01016 |
| Phaser Premium Postcards, A4 (210 x 297mm), 100 Sheets | 103R01017 |
| Phaser Glossy Trifold Brochure, Letter (8.5 x 11 in.), 100 Sheets | 103R01018 |
| Phaser Glossy Trifold Brochure, A4 (210 x 297mm), 100 Sheets | 103R01019 |
| Phaser Weatherproof Paper, Letter (8.5 x 11 in.), 150 Sheets | 103R01020 |
| Phaser Weatherproof Paper, A4 (210 x 297mm), 150 Sheets | 103R01021 |