

6 Print Engine Parts List

This section covers the following:

- [Using the Parts List](#) on page 6-2
- [Serial Number Format](#) on page 6-3
- [Diagrams of Main Parts](#) on page 6-4
- [P1 External Parts](#) on page 6-6
- [P2 Top Cover](#) on page 6-8
- [P3 Top Cover](#) on page 6-10
- [P4 Main Frame](#) on page 6-12
- [P5 Left Frame](#) on page 6-14
- [P6 Right Frame](#) on page 6-16
- [P7 Right Frame 2](#) on page 6-18
- [P8 Drive Section](#) on page 6-20
- [P9 Drive Section](#) on page 6-22
- [P10 Drive Section](#) on page 6-24
- [P11 Drive Section](#) on page 6-26
- [P12 Laser \(PH\) Section](#) on page 6-28
- [P13 Transfer Section](#) on page 6-30
- [P14 Transfer Roller Section](#) on page 6-32
- [P15 Vertical Transport Section](#) on page 6-34
- [P16 Fusing Unit](#) on page 6-36
- [P17 Electrical Components](#) on page 6-38
- [P18 Paper Take-Up Section](#) on page 6-40
- [P19 Paper Take-Up Section 2](#) on page 6-41
- [P20 Paper Take-Up Section 3](#) on page 6-43
- [P21 Wiring](#) on page 6-45
- [P22 Wiring](#) on page 6-46
- [P23 Wiring](#) on page 6-47
- [P24 Wiring Accessories](#) on page 6-48
- [P25 Accessories](#) on page 6-49

Using the Parts List

Changes to Xerox products are made to accommodate improved components as they become available. As improvements are made, part numbers may change from those appearing in this section. To get the latest part, provide the following information when ordering:

- Component's part number
- Product type or configuration number
- Serial number of the printer

Only those parts listed with part numbers are available for order. Parts listed without part numbers are only available as part of a parent assembly or Service Kit.

1. **Key:** The callout number from the exploded part diagram.
2. **Part No:** The material part number used to order specific parts.
3. **Description:** Name of the part and number supplied per order.
4. **Qty:** This column lists the quantity of this part in the printer, for example a quantity of "2" means there are two of these parts, however, when ordering the part you will only receive one part.
5. **Comments:** The comments column is used for clarification.
6. For information on hardware (screens, washers, e-rings, etc.), see the letter designate in the exploded diagram. All hardware is available for the hardware kit.

Serial Number Format

The serial number is coded as follows:

- The text “**S/N**” followed by the serial number in the barcode.
- The barcode **does not** include a field identifier.
- The nine digit serial number format **PPPRSSSSS** where:
PPP - Is the alphanumeric Product Code

Product	Voltage	Product Code
6120	110 V	YGG
6120	220 V	YGH

R - Is the numeric revision digit. Changes at major product updates or when the serial number is reset to a starting value or (30001, 60001, or 90001).

SSSSS - Is the five digit numeric serial number.

For example:

S/N YGG032148

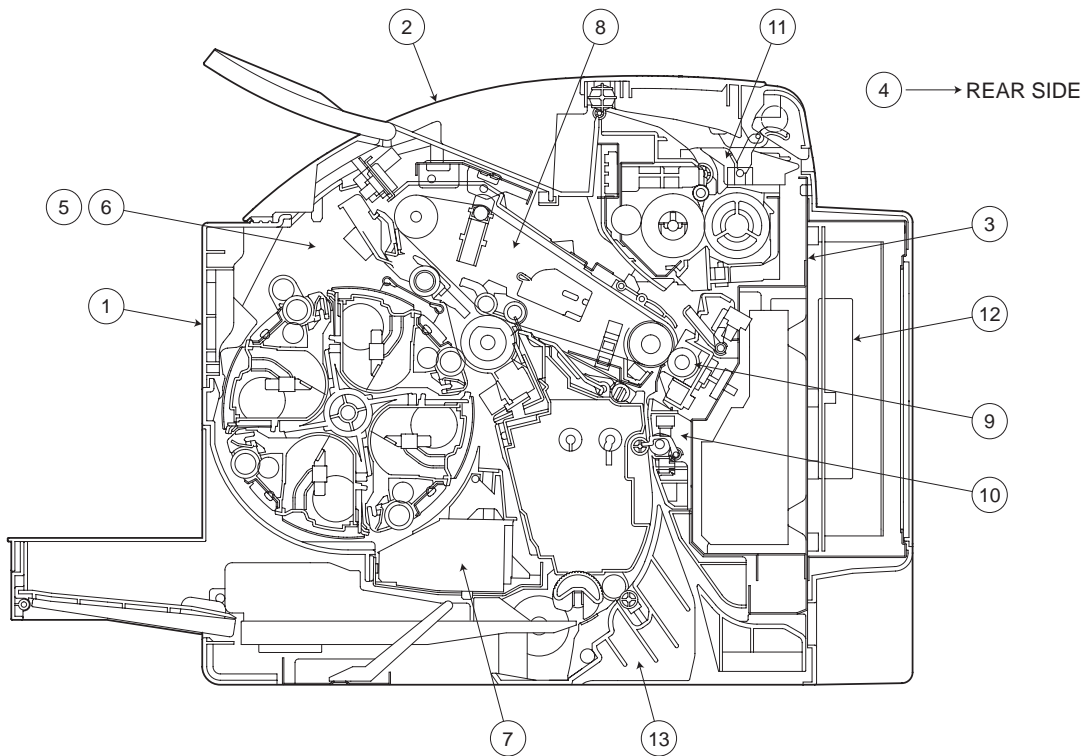
YGG = Product code for the 6120, 110 V Printer

0 = Revision level

32148 = Serial number for 6120

Note: The barcoded serial number label is located under the top cover on the left side of the metal crossbar.

Diagrams of Main Parts

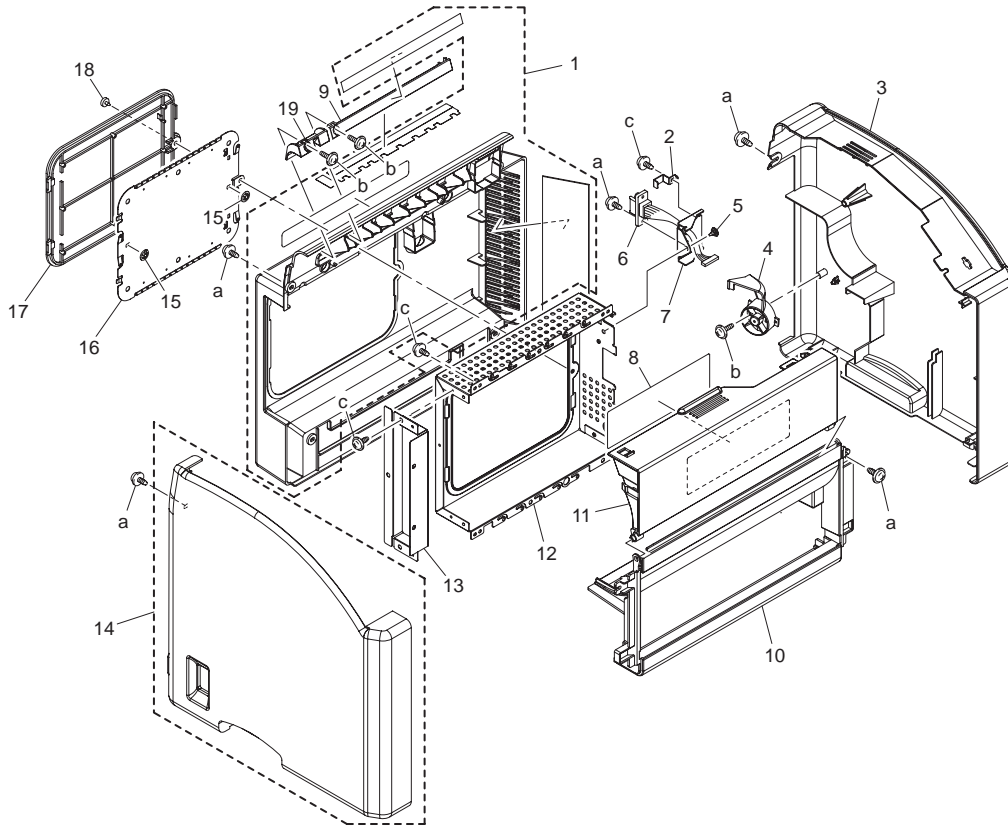


No.	Description	Parts List No.	Page No.
1	External Parts	P1	page 6-6
2	Top Cover	P2 P3	page 6-8 page 6-10
3	Main Frame	P4	page 6-12
4	Left Frame	P5	page 6-14
5	Right Frame	P6 P7	page 6-16 page 6-18
6	Drive Section	P8 P9 P10 P11	page 6-20 page 6-22 page 6-24 page 6-26
7	Laser (PH) Section	P12	page 6-28

No.	Description	Parts List No.	Page No.
8	Transfer Section	P13	page 6-30
9	Transfer Roller Section	P14	page 6-32
10	Vertical Transport Section	P15	page 6-34
11	Fuser	P16	page 6-36
12	Electrical Components	P17	page 6-38
13	Paper Take-Up Section	P18	page 6-40
		P19	page 6-41
		P20	page 6-43
	Wiring	P21	page 6-45
		P22	page 6-46
		P23	page 6-47
	Wiring Accessories and Jigs	P24	page 6-48
	Accessory Parts	P25	page 6-49

P1 External Parts

P 1



P1 External Parts List Table

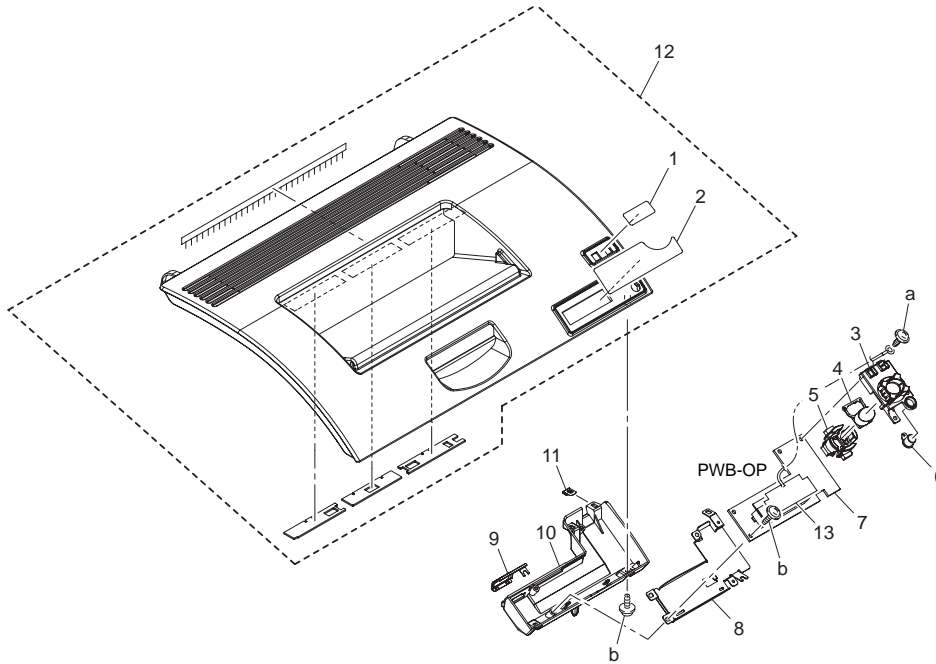
Key	Part No.	Description	Qty	Comments
1	604K35100	REAR COVER KIT	1	Includes all parts shown within the dotted line. Some assembly required
2		REGULATING PLATE	1	
3	802E99590	RIGHT COVER	1	
4		DUCT	1	
5		SHOULDER SCREW	1	
6		WIRE HARNESS ASSY	1	
7		BRACKET	1	
8	893E86110	INSTRUCTIONS (LABEL)	1	
9		HOLDER	1	

P1 External Parts List Table (Continued)

Key	Part No.	Description	Qty	Comments
10	802E99600	FRONT LOWER COVER	1	
11	802E99610	FRONT UPPER COVER	1	
12		SHIELD	1	
13		BRACKET	1	
14	604K35120	LEFT COVER KIT (US)	1	
14	604K35110	LEFT COVER KIT (EU)	1	
15		RETAINING RING	2	
16		SHIELD	1	
17	802E99620	COVER	1	
18	826E27440	SHOULDER SCREW	1	
19		GUIDE	1	
a b	604K35500	Part of Hardware Kit		

P2 Top Cover

P 2



P2 Top Cover Parts List Table

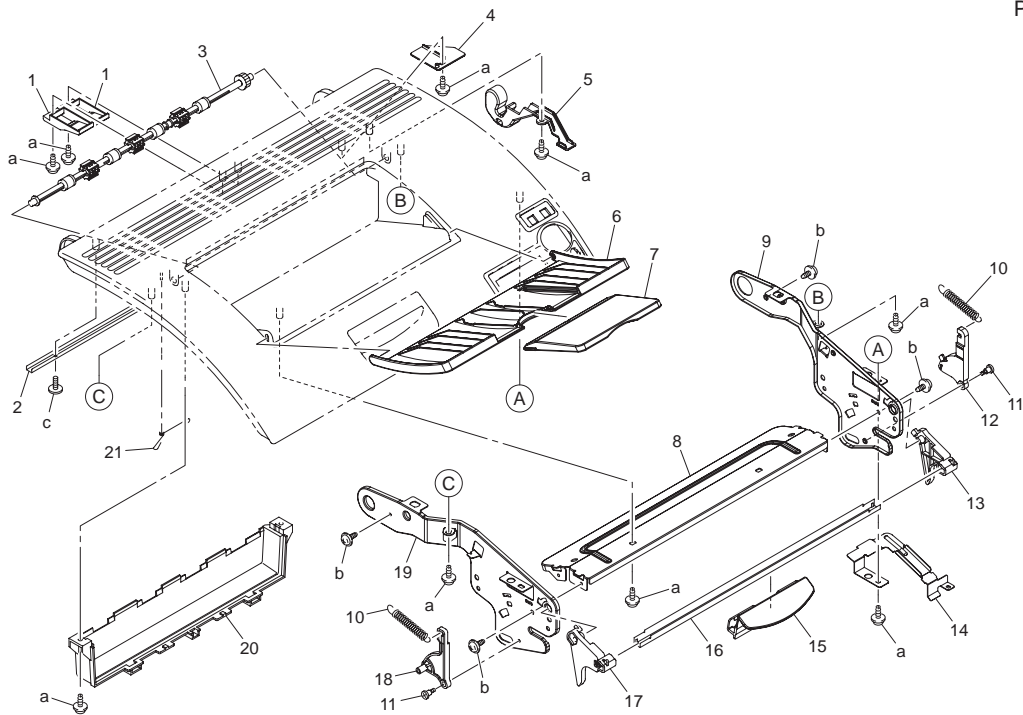
Key	Part No.	Description	Qty	Comments
1		FACE SHEET READY ERROR	1	
2		FACE SHEET TONER	1	
3		HOLDER	1	
4		BUTTON	1	
5		BUTTON	1	
6		BUTTON	1	
7	960K25480	PWB-OP (Control Panel)	1	Includes LCD
8		SHIELD	1	
9		EARTH GROUND	1	
10		COVER	1	
11		EARTH GROUND	1	

P2 Top Cover Parts List Table (Continued)

Key	Part No.	Description	Qty	Comments
12	604K35130	UPPER COVER KIT	1	Includes all parts within the dotted lines. Some assembly required
13		PLASTIC COVER	1	Includes ground plate and strap.
a b	604K35500	Part of Hardware Kit		

P3 Top Cover

P 3



P3 Top Cover Parts List Table

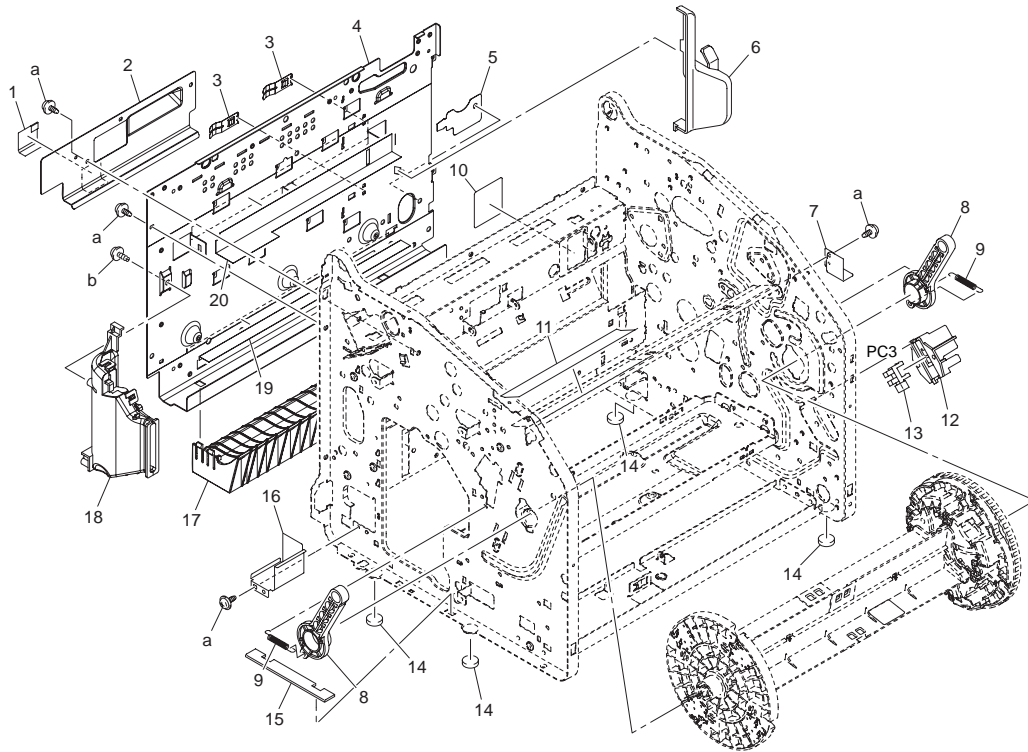
Key	Part No.	Description	Qty	Comments
1		GUIDE	2	
2		REINFORCE PLATE	1	
3	059E05440	ROLLER	1	
4		GUIDE	1	
5		COVER	1	
6	050E23340	TRAY	1	
7	050E23350	TRAY	1	
8		REINFORCE PLATE	1	
9		FRAME	1	
10		TENSION SPRING	2	
11		SHOULDER SCREW	2	
12		ARM	1	

P3 Top Cover Parts List Table (Continued)

Key	Part No.	Description	Qty	Comments
13		ARM	1	
14		COVER	1	
15		HANDLE	1	
16		SHAFT	1	
17		ARM	1	
18		ARM	1	
19		FRAME	1	
20		HOLDER	1	
21		CONTACT	1	
a b c	604K35500	Part of Hardware Kit		

P4 Main Frame

P 4



P4 Main Frame Parts List Table

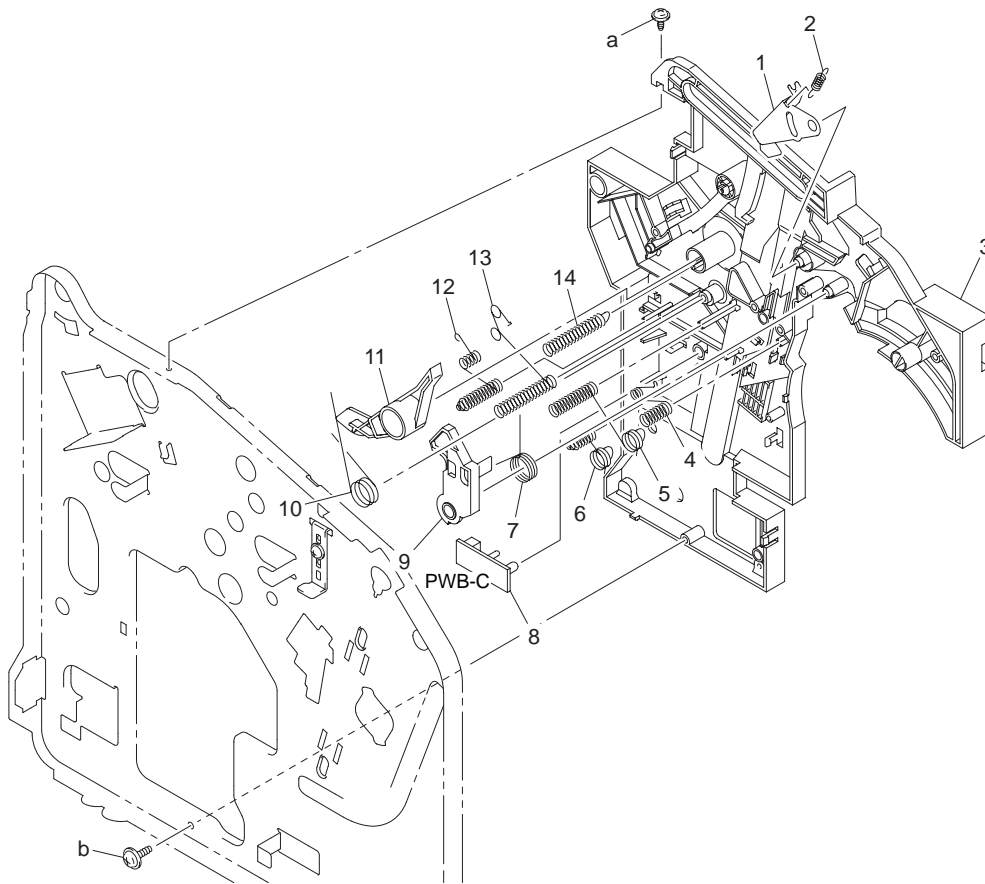
Key	Part No.	Description	Qty	Comments
1		SEAL	1	
2		COVER	1	
3		EARTH GROUND	2	
4		FRAME	1	
5		SEAL	1	
6		DUCT	1	
7		COVER	1	
8		LEVER	2	
9		TENSION SPRING	2	
10		SEAL	1	
11		LABEL CONSUMABLES REODER	1	
12	019E74390	HOLDER	1	

P4 Main Frame Parts List Table (Continued)

Key	Part No.	Description	Qty	Comments
13	130E11800	RACK POSITION SENSOR (PC3)	1	
14	017E11460	RUBBER FOOT	4	1 per part number
15		COVER	1	
16		COVER	1	
17		GUIDE	1	
18		DUCT ASSY	1	
19		SEAL	1	
20		SEAL	1	
a b	604K35500	Part of Hardware Kit		

P5 Left Frame

P 5



P5 Left Frame Parts List Table

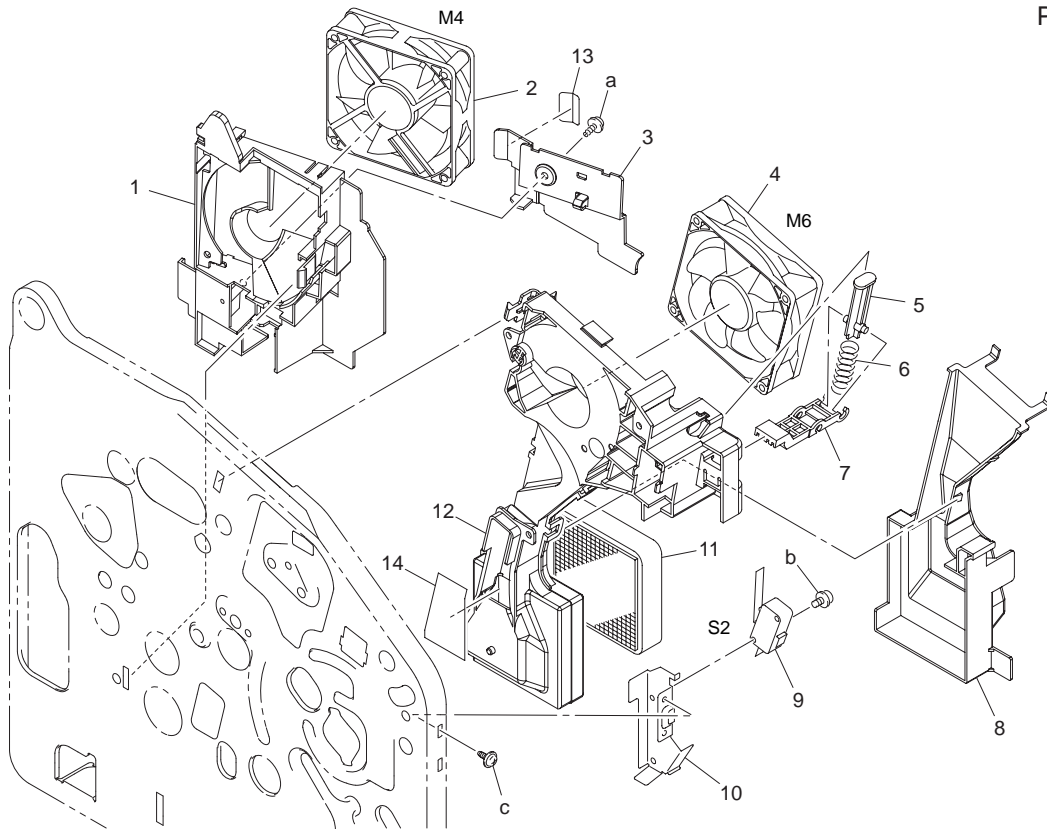
Key	Part No.	Description	Qty	Comments
1		LEVER	1	
2		TENSION SPRING	1	
3		GUIDE	1	
4		EARTH GROUND	1	
5		CONTACT	1	
6		CONTACT	1	
7		TORSION SPRING	1	
8	960K25450	WASTE TONER NEAR FULL (PWB-C)	1	

P5 Left Frame Parts List Table (Continued)

Key	Part No.	Description	Qty	Comments
9		PAWL	1	
10		TORSION SPRING	1	
11		LEVER	1	
12		CONTACT	1	
13		CONTACT	1	
14		CONTACT	1	
a b	604K35500	Part of Hardware Kit		

P6 Right Frame

P 6



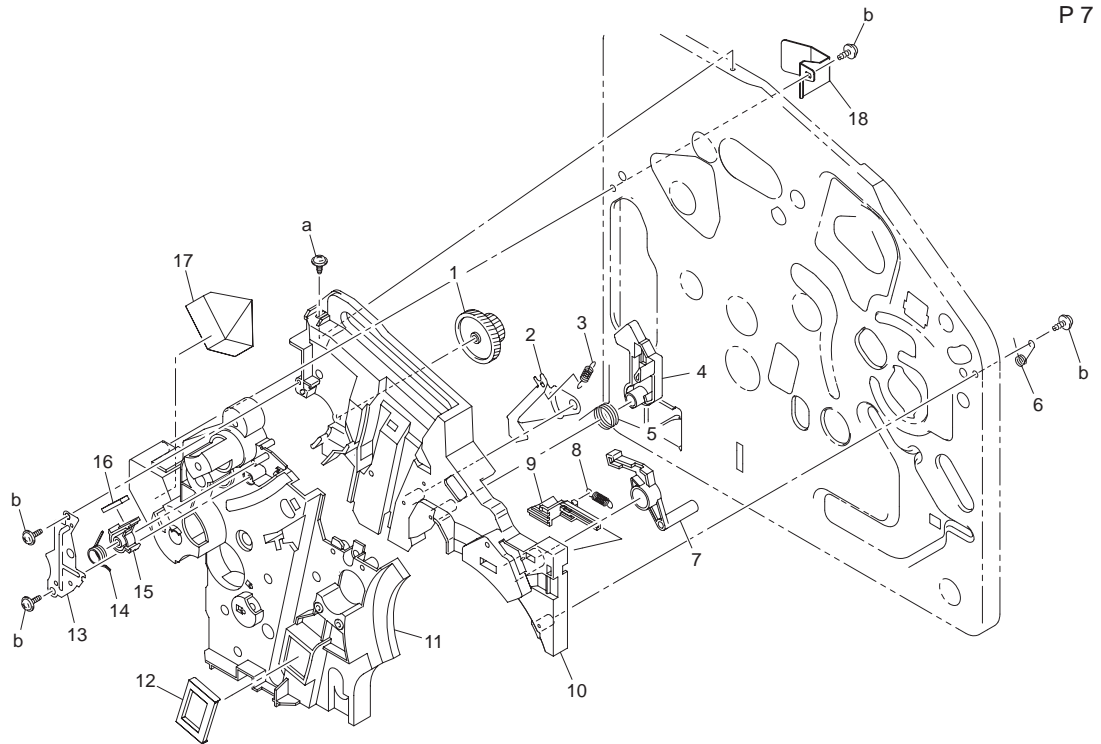
P6 Right Frame Parts List Table

Key	Part No.	Description	Qty	Comments
1		DUCT	1	
2	127E15240	POWER SUPPLY COOLING (M4)	1	
3		COVER	1	
4	127E15250	VENTILATION FAN (M6)	1	
5		LEVER	1	
6		PRESSURE SPRING	1	
7		PAWL	1	
8		DUCT	1	
9	110K15620	SAFETY SWITCH (S2)	1	
10		BRACKET	1	

P6 Right Frame Parts List Table (Continued)

Key	Part No.	Description	Qty	Comments
11	053E07470	FILTER	1	
12		DUCT	1	
13		SEAL	1	
14		SEAL	1	
a b c	604K35500	Part of Hardware Kit		

P7 Right Frame 2



P 7

P7 Right Frame 2 Parts List Table

Key	Part No.	Description	Qty	Comments
1		GEAR 22/64T	1	
2		LEVER	1	
3		TENSION SPRING	1	
4		PAWL	1	
5		TORSION SPRING	1	
6		TORSION SPRING	1	
7		LEVER	1	
8		TENSION SPRING	1	
9		LEVER	1	
10		GUIDE	1	
11		HOLDER	1	
12		SEAL	1	

P7 Right Frame 2 Parts List Table (Continued)

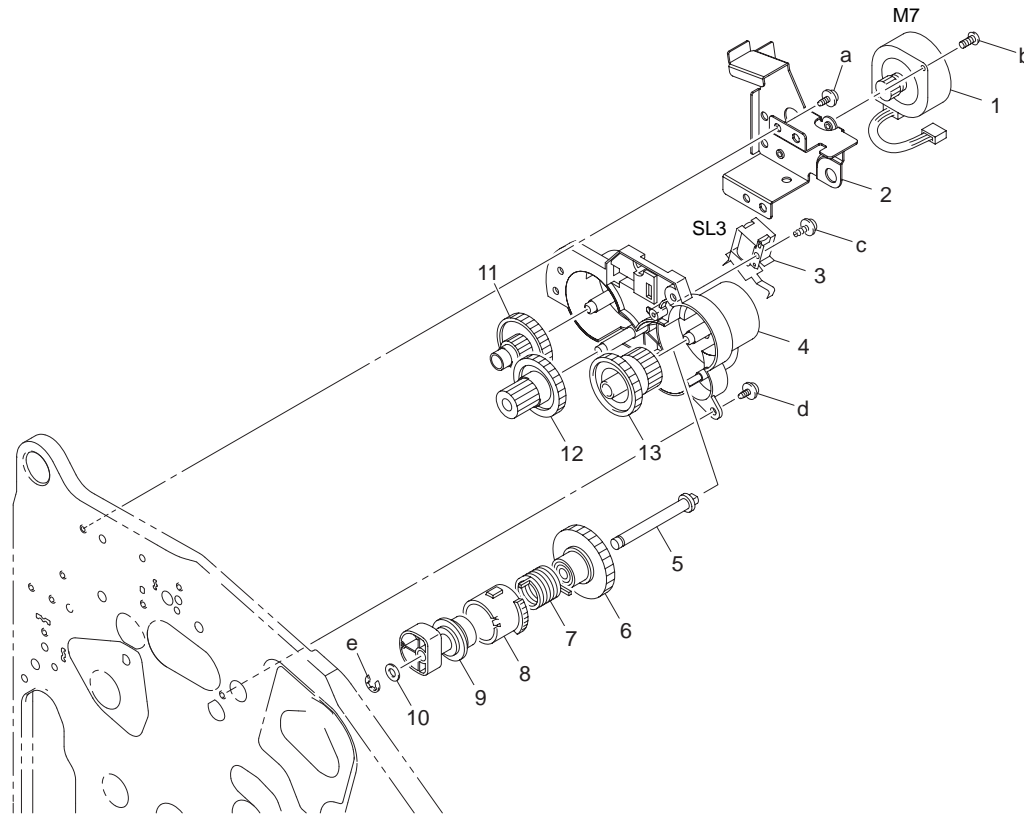
Key	Part No.	Description	Qty	Comments
13		REINFORCE PLATE	1	
14		TORSION SPRING	1	
15		HOLDER	1	
16		FRICTION SHEET	1	
17		SEAL	1	
18		SHIELD	1	
a b	604K35500	Part of Hardware Kit		

P8 Drive Section Parts List Table (Continued)

Key	Part No.	Description	Qty	Comments
9		GEAR 60T	1	
10		GEAR 15/90T	1	
11		GEAR 19T	1	
12		TORSION SPRING	1	
13		LEVER	1	
14		BRACKET ASSY	1	
15	121E20250	PRESSURE RETRACTION SOLENOID, 2ND BTR (SL4)	1	
16		CAM	1	
17		GEAR 20T	1	
18		RATCHET	1	
a b c d	604K35500	Part of Hardware Kit		

P9 Drive Section

P 9



P9 Drive Section Parts List Table

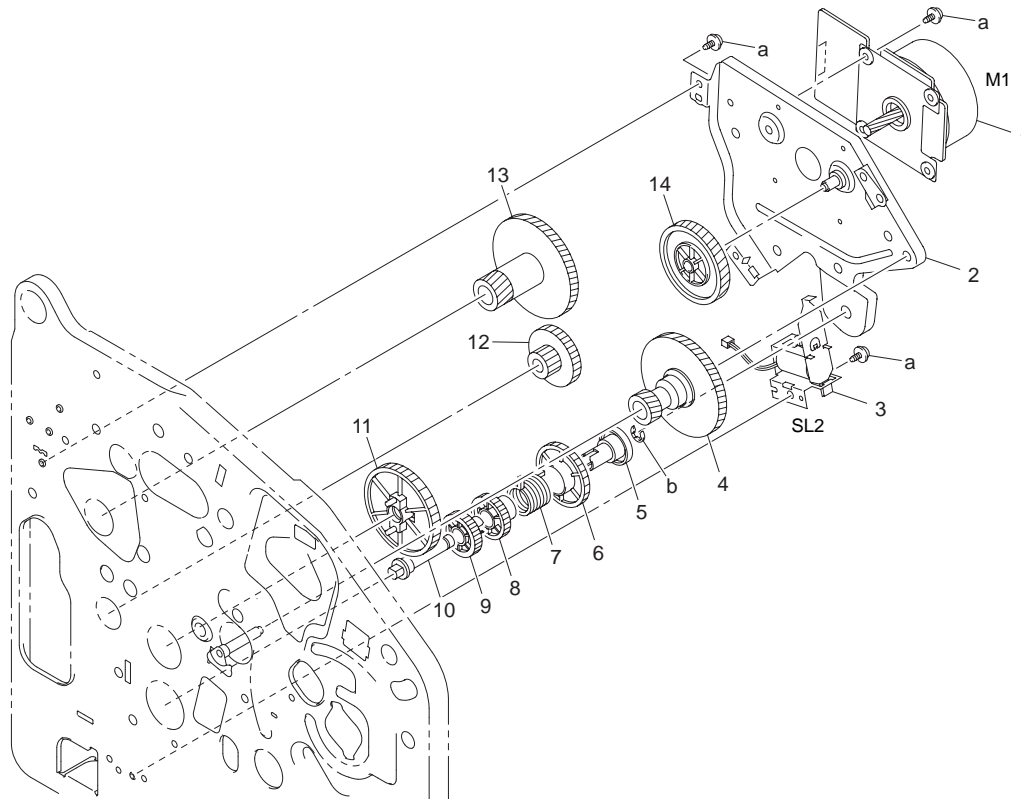
Key	Part No.	Description	Qty	Comments
1	127E15260	FUSER MOTOR (M7)	1	
2		BRACKET	1	
3	121E20250	PRESSURE RETRACTION SOLENOID, CLN BLADE (SL3)	1	
4		HOLDER	1	
5		SHAFT	1	
6		GEAR 48T	1	
7		TORSION SPRING	1	
8		RATCHET	1	
9		CAM	1	

P9 Drive Section Parts List Table (Continued)

Key	Part No.	Description	Qty	Comments
10		WASHER	1	
11		GEAR 14/48T	1	
12		GEAR 14/32T	1	
13		GEAR 27/40T	1	
a b c d e	604K35500	Part of Hardware Kit		

P10 Drive Section

P 10



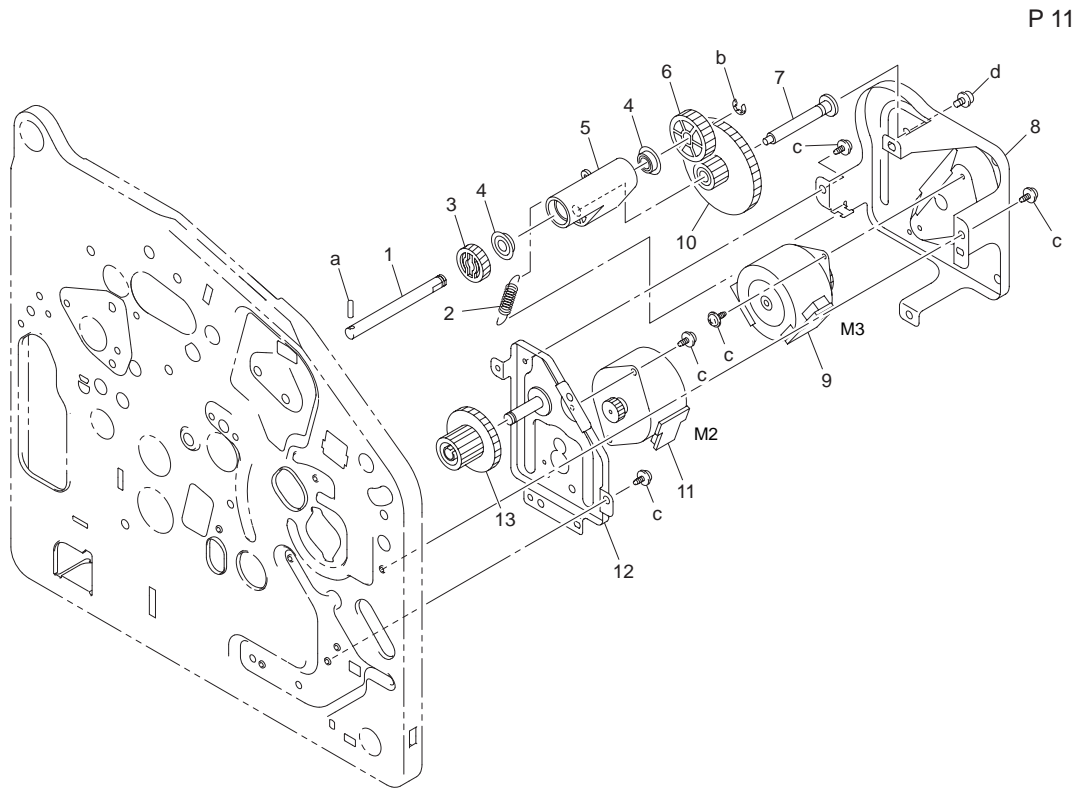
P10 Drive Section Parts List Table

Key	Part No.	Description	Qty	Comments
1	127E15270	MAIN MOTOR (M1)	1	
2		BRACKET ASSY	1	
3	121E20270	REGISTRATION ROLLER SOLENOID (SL2)	1	
4		GEAR 20/117T	1	
5		DRUM	1	
6		RATCHET	1	
7		TORSION SPRING	1	
8		GEAR 24T	1	
9		GEAR 24T	1	

P10 Drive Section Parts List Table (Continued)

Key	Part No.	Description	Qty	Comments
10		SHAFT	1	
11		GEAR 52T	1	
12		GEAR 14/33T	1	
13		GEAR 20/117T	1	
14		GEAR 91T	1	
a b	604K35500	Part of Hardware Kit		

P11 Drive Section



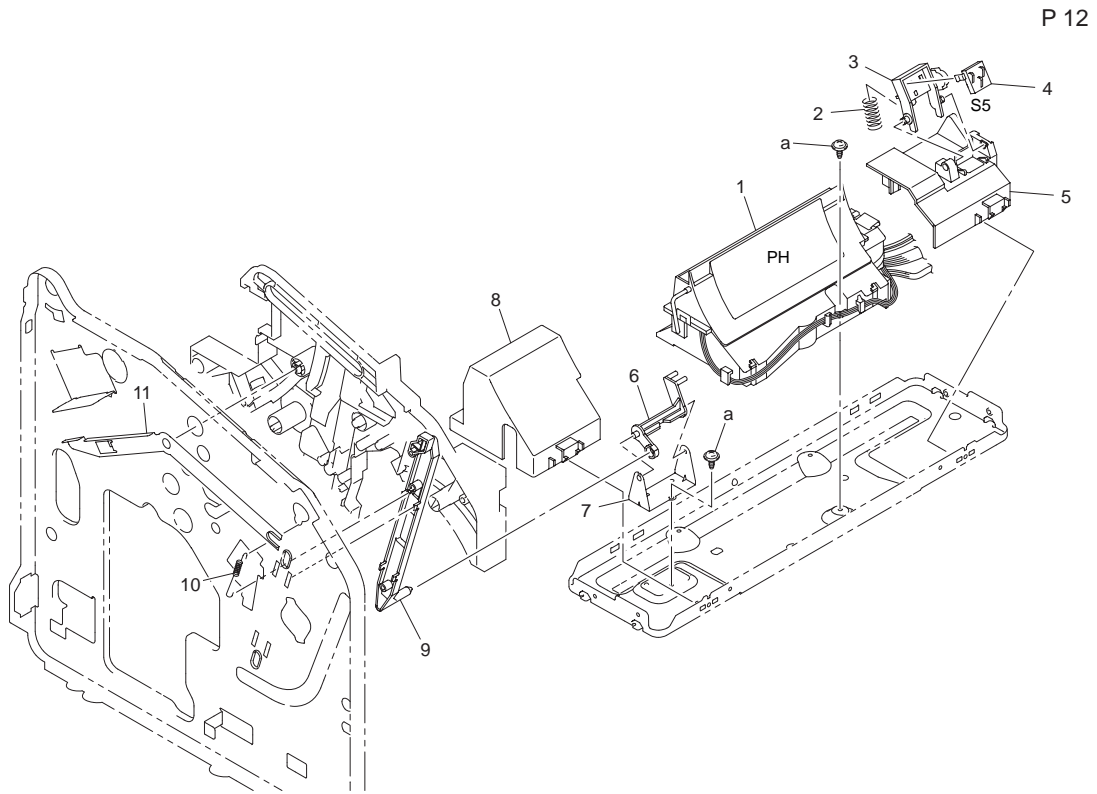
P11 Drive Section Parts List Table

Key	Part No.	Description	Qty	Comments
1		SHAFT	1	
2		TENSION SPRING	1	
3	807E17730	GEAR 24T	1	
4		BALL BEARING	2	
5		LEVER	1	
6		GEAR 35T	1	
7		STAY	1	
8		BRACKET	1	
9	127E15280	DEVELOPER MOTOR (M3)	1	
10		GEAR 20/73T	1	
11	127E15290	RACK MOTOR (M2)	1	

P11 Drive Section Parts List Table (Continued)

Key	Part No.	Description	Qty	Comments
12		BRACKET ASSY	1	
13		GEAR 19/48T	1	
a b c d	604K35500	Part of Hardware Kit		

P12 Laser (PH) Section



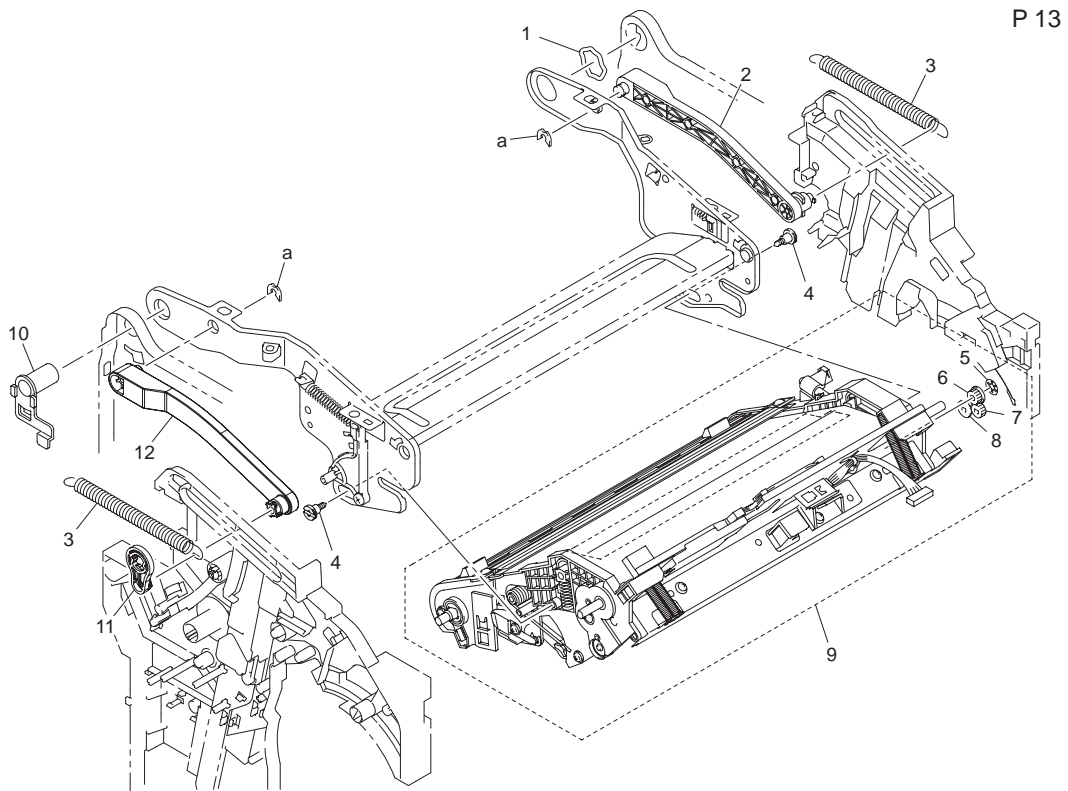
P12 PH Section Parts List Table

Key	Part No.	Description	Qty	Comments
1	122K02590	LASER (PH) UNIT	1	
2		PRESSURE SPRING	1	
3		HOLDER	1	
4	110E19940	TONER CRUM CONTACT SWITCH (S5)	1	
5		HOLDER	1	
6	011E20120	LEVER	1	
7		BRACKET	1	
8		COVER	1	
9		LEVER	1	
10		TENSION SPRING	1	
11		LEVER	1	

P12 PH Section Parts List Table (Continued)

Key	Part No.	Description	Qty	Comments
a	604K35500	Part of Hardware Kit		

P13 Transfer Section



P13 Transfer Section Parts List Table

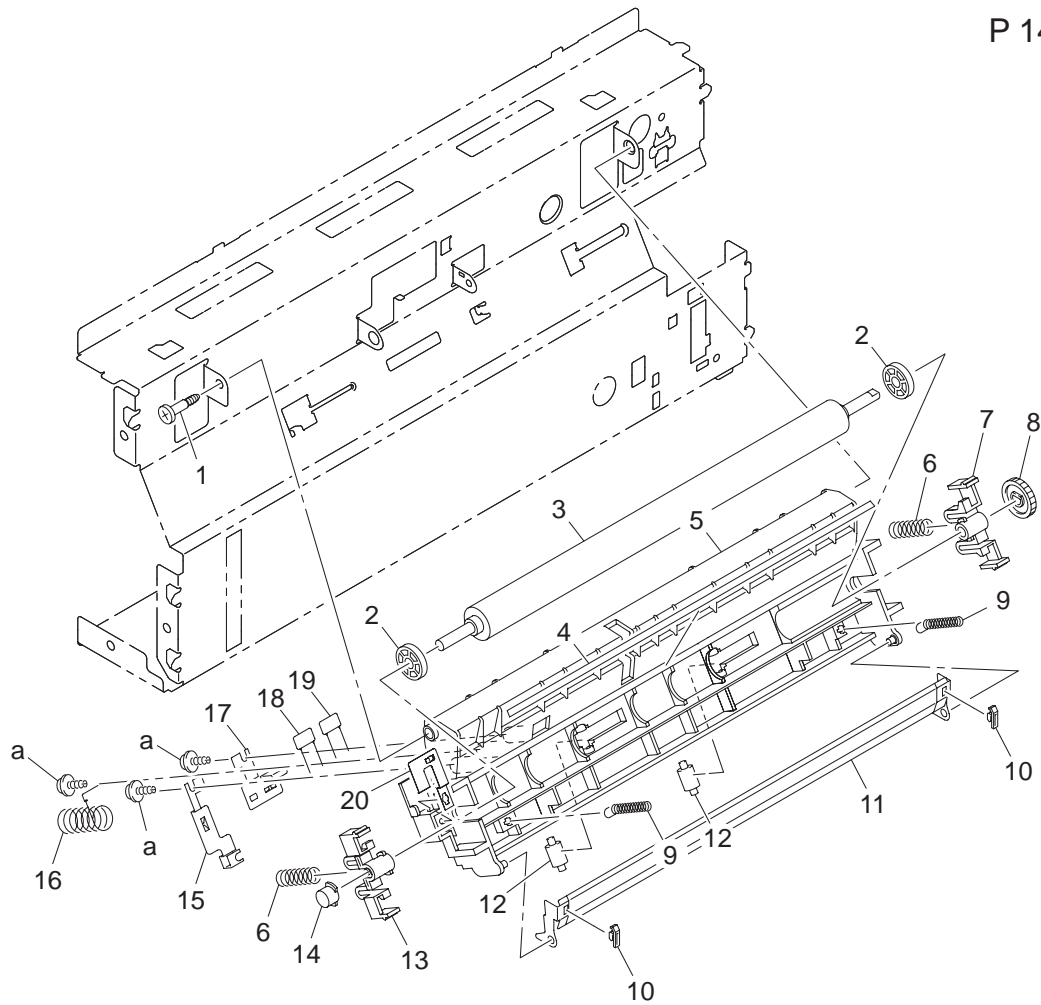
Key	Part No.	Description	Qty	Comments
1		SPACER	1	
2		LEVER	1	
3		TENSION SPRING	2	
4	826E27450	SHOULDER SCREW	2	
5		STOPPER RING	1	
6		GEAR 19T	1	
7		GEAR 28T	1	
8		GEAR 20T	1	
9	023E30890	TRANSFER BELT	1	
10		HOLDER	1	
11		HOLDER	1	

P13 Transfer Section Parts List Table (Continued)

Key	Part No.	Description	Qty	Comments
12		LEVER	1	
a	604K35500	Part of Hardware Kit		

P14 Transfer Roller Section

P 14



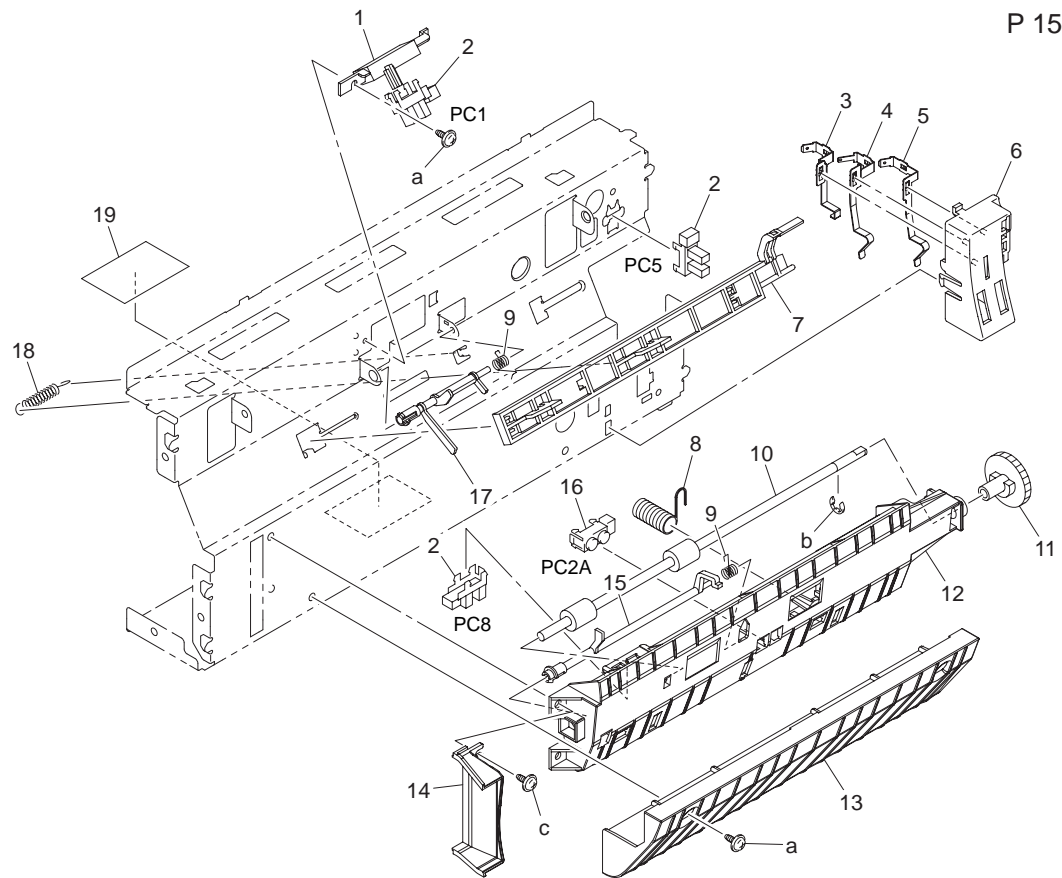
P14 Transfer Roller Section Parts List Table

Key	Part No.	Description	Qty	Comments
1	826E27460	SHOULDER SCREW	1	
2	005E23460	COLLAR	2	
3	059E05450	TRANSFER ROLLER	1	Item 3 only
4		NETURALIZING MEMBER	1	
5		HOLDER	1	
6	809E71890	PRESSURE SPRING	2	
7	019E74400	HOLDER	1	

P14 Transfer Roller Section Parts List Table (Continued)

Key	Part No.	Description	Qty	Comments
8	807E17740	GEAR 16T	1	
9	809E71900	PRESSURE SPRING	2	
10		SPACER	2	
11		GUIDE	1	
12		ROLL	2	
13	019E74410	HOLDER	1	
14	101E23500	CONDUCTIVE CAP	1	
15		CONTACT	1	
16	809E71910	PRESSURE SPRING	1	
17		CONTACT	1	
18		RESISTOR	1	
19		RESISTOR	1	
20		CONTACT	1	
a	604K35500	Part of Hardware Kit		

P15 Vertical Transport Section



P 15

P15 Vertical Transport Section Parts List Table

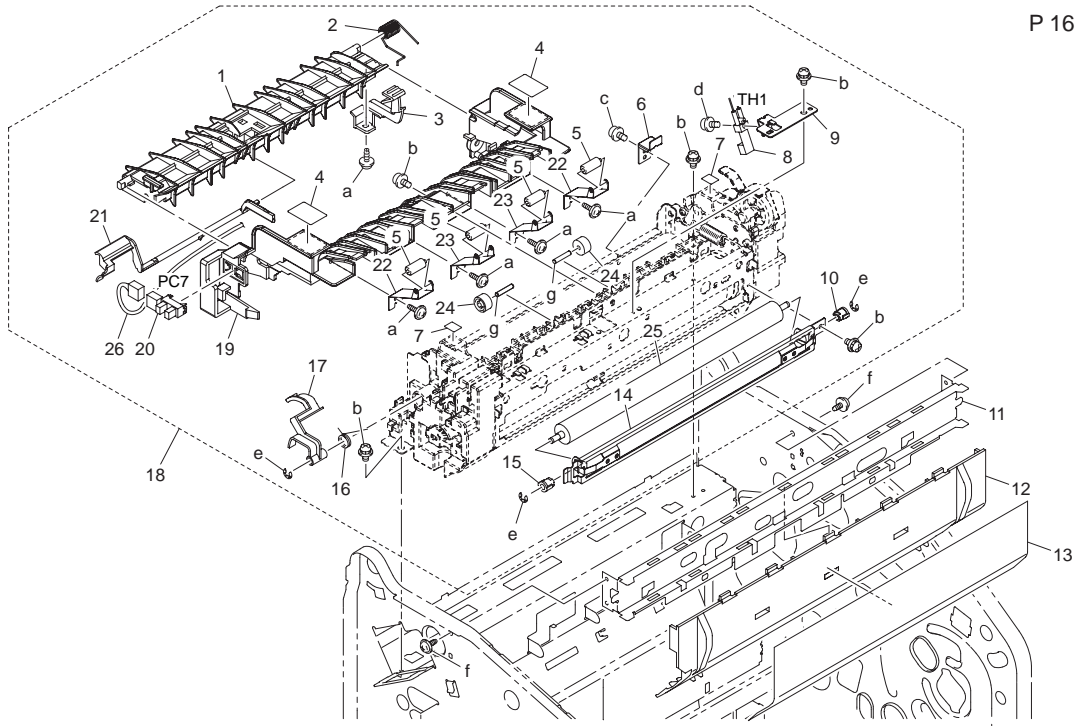
Key	Part No.	Description	Qty	Comments
1		HOLDER	1	
2	130E11800	SENSOR	3	PC1=REGISTRATION SENSOR PC5=RETRACTION POS SENSOR, 2ND IMAGE TRANSFER PC8=FUSING SENSOR (PAPER LOOP)
3		CONTACT	1	
4		CONTACT	1	
5		CONTACT	1	
6		HOLDER	1	

P15 Vertical Transport Section Parts List Table (Continued)

Key	Part No.	Description	Qty	Comments
7		SLIDER	1	
8		EARTH GROUND	1	
9		TORSION SPRING	2	
10		ROLLER	1	
11		GEAR 28T	1	
12		GUIDE	1	
13		GUIDE	1	
14		DUCT	1	
15	120E29270	ACTUATOR	1	FUSING SENSOR
16	130E11820	OHP SENSOR (PC2A)	1	
17	120E29280	ACTUATOR	1	REGISTRATION SENSOR
18		TENSION SPRING	1	
19		SEAL	1	
a b c	604K35500	Part of Hardware Kit		

P16 Fusing Unit

P 16



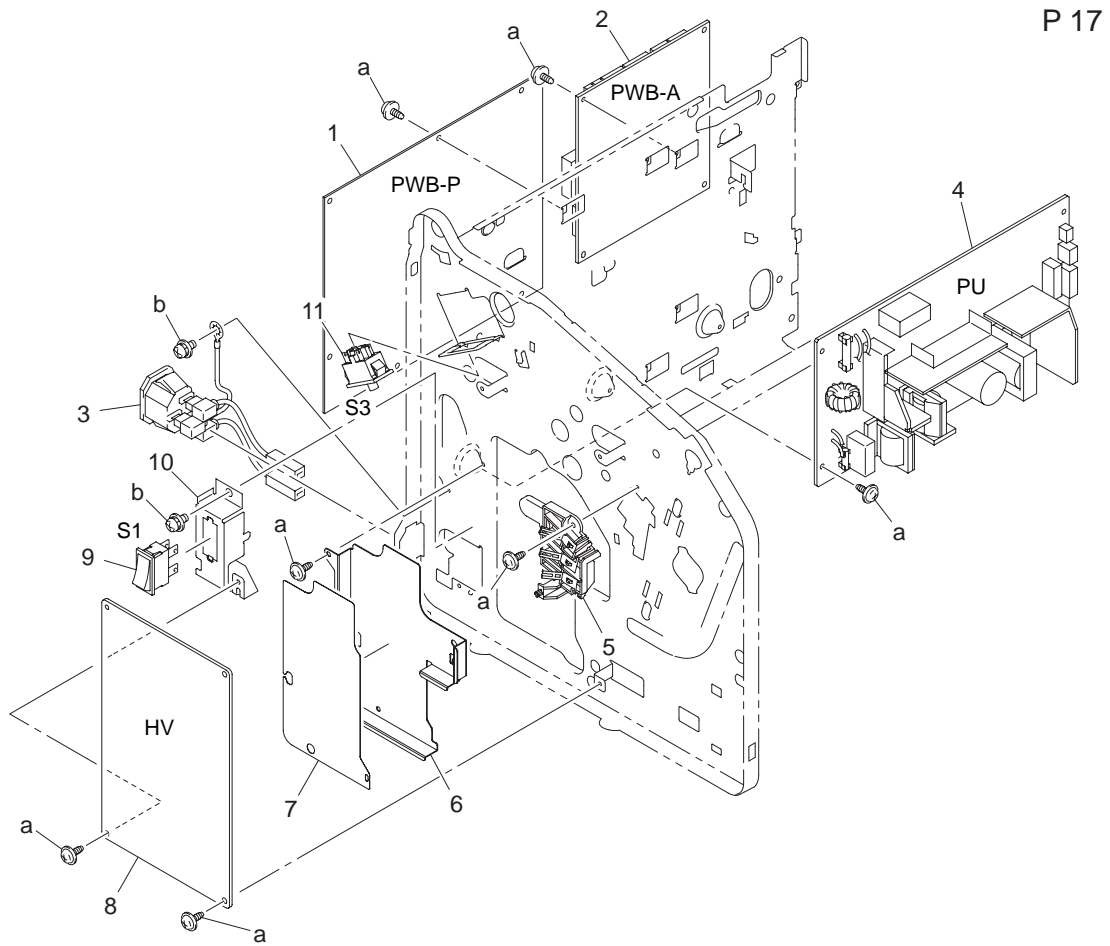
P16 Fusing Unit Parts List Table

Key	Part No.	Description	Qty	Comments
1		GUIDE	1	
2		TORSION SPRING	1	
3		LEVER	1	
4		SEAL CAUTION HOT	2	
5		ROLL	4	
6		BRACKET	1	
7		LABEL	2	
8		THERMISTOR	1	
9		BRACKET	1	
10		BUSHING	1	
11		REINFORCE PLATE	1	
12		COVER	1	
13		SEAL	1	

P16 Fusing Unit Parts List Table (Continued)

Key	Part No.	Description	Qty	Comments
14		BRACKET	1	
15		BUSHING	1	
16		TORSION SPRING	1	
17		LEVER	1	
18	126K23190	FUSING UNIT 120V	1	Includes all parts shown within the dotted line.
18	126K23200	FUSING UNIT 230V	1	
19		GUIDE	1	
20		EXIT SENSOR (PC7)	1	
21	120E29290	ACTUATOR	1	EXIT SENSOR
22		PLATE SPRING	2	
23		PLATE SPRING	2	
24		COLLAR	2	
25		ROLLER	1	
26		WIRE HARNESS ASSY	1	
a, b, c, d, e, f, g	604K35500	Part of Hardware Kit		

P17 Electrical Components



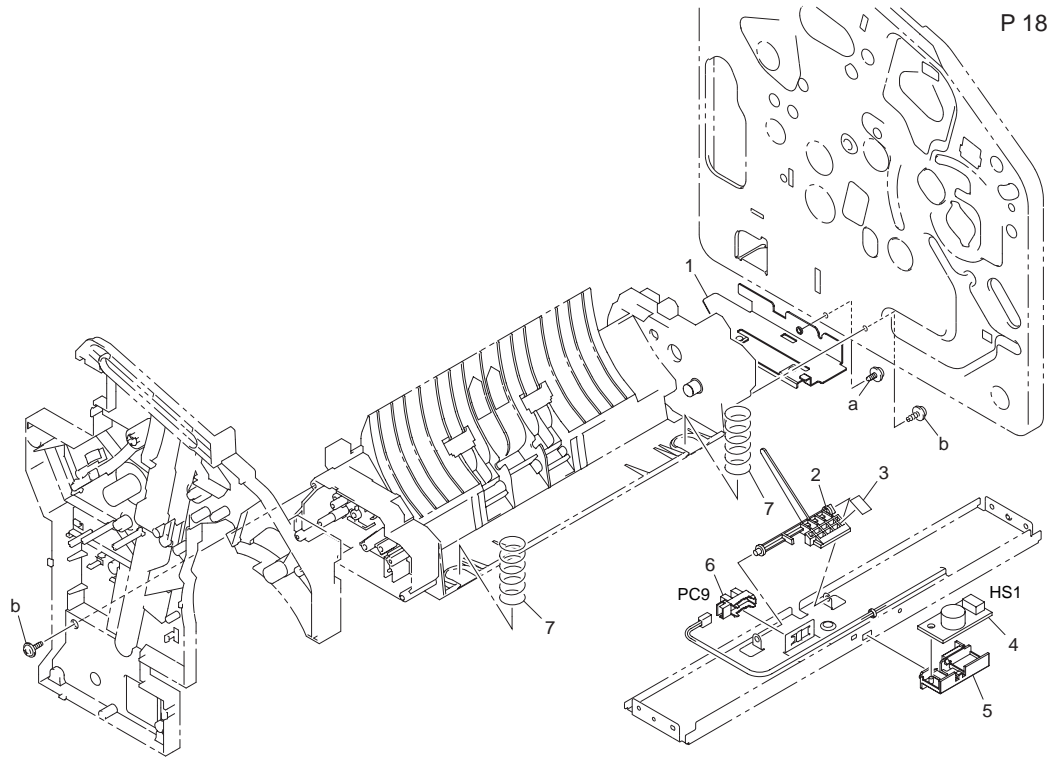
P17 Electrical Components Parts List Table

Key	Part No.	Description	Qty	Comments
1	960K25460	PWB-P (Image Processor)	1	
2	960K25470	PWB-A (Engine Control Board)	1	
3	962K49980	WIRE HARNESS ASSY	1	
4	105E18500	POWER SUPPLY (100/120V)	1	Power Unit (PU)
	105E18510	POWER SUPPLY (220/240V)	1	Power Unit (PU)
5	802K94020	RACK TERMINAL ASSY	1	
6		SHIELD	1	
7		SHIELD	1	

P17 Electrical Components Parts List Table (Continued)

Key	Part No.	Description	Qty	Comments
8	105E18520	HIGH VOLTAGE POWER SUPPLY	1	HV Board
9	110E19910	POWER-SWITCH (S1)	1	
10		BRACKET	1	
11	110E19920	FUSING SAFETY SWITCH (S3)	1	
a b	604K35500	Part of Hardware Kit		

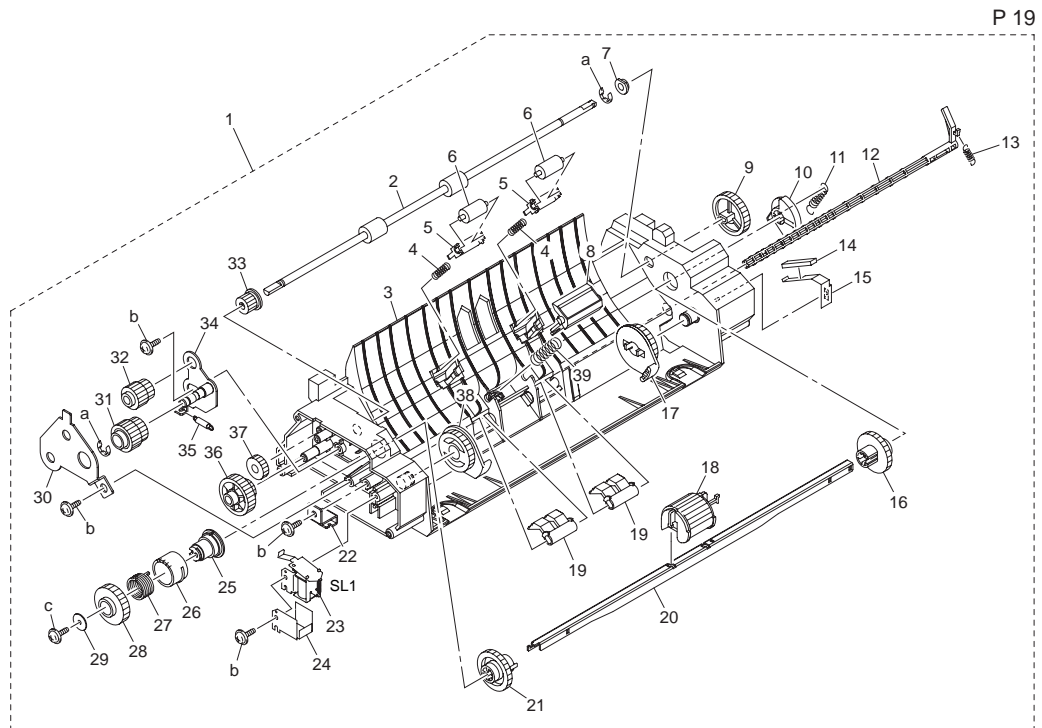
P18 Paper Take-Up Section



P18 Paper Take-Up Section Parts List Table

Key	Part No.	Description	Qty	Comments
1		BRACKET	1	
2	120E29300	ACTUATOR	1	TRAY 1 EMPTY SENSOR
3		BRACKET	1	
4	130E11840	TEMP/HUMIDITY SENSOR (HS1)	1	Does not include holder.
5		HOLDER	1	
6	130E11800	TRAY 1 EMPLTY SENSOR (PC9)	1	
7	809E71920	PRESSURE SPRING	2	TRAY 1
a	604K35500	Part of Hardware Kit		

P19 Paper Take-Up Section 2



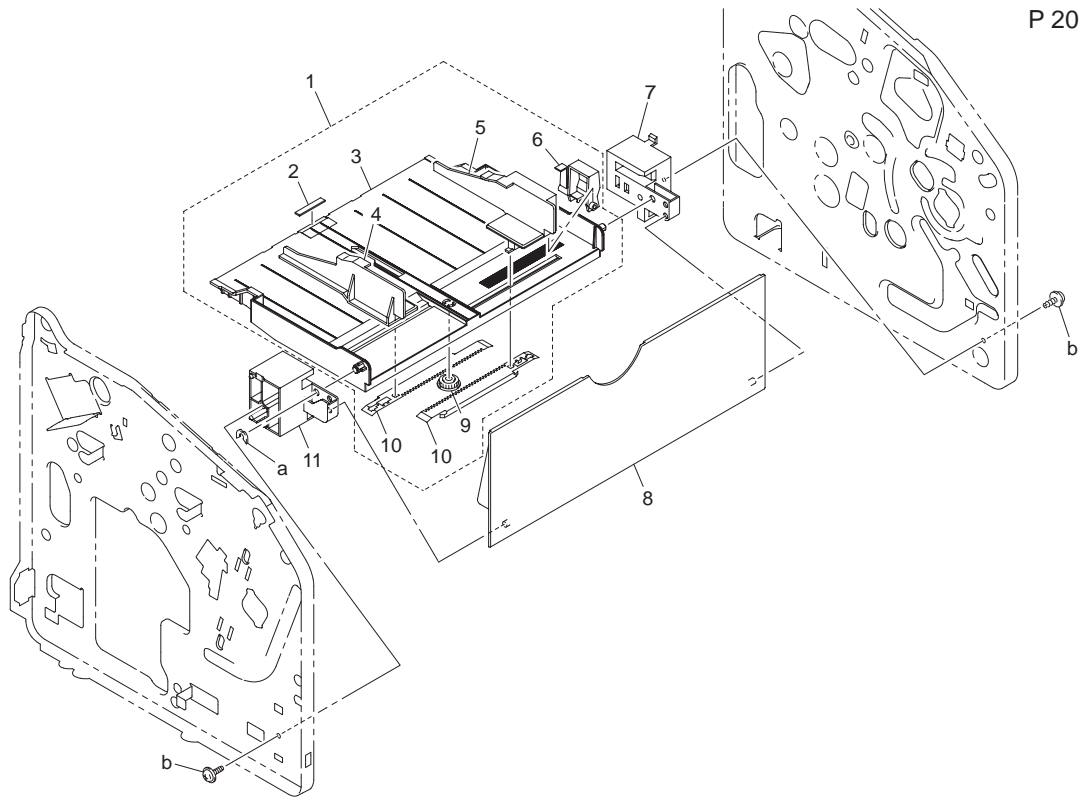
P19 Paper Take-Up Section 2 Parts List Table

Key	Part No.	Description	Qty	Comments
1	130K74270	PAPER TAKE-UP ASSY	1	Includes all parts shown with the dotted lines.
2		ROLLER	1	
3		GUIDE	1	
4		PRESSURE SPRING	2	
5		HOLDER	2	
6		ROLL	2	
7		BUSHING	1	
8	019K13070	FRICITION SHEET ASSY	1	Does not include spring.
9		GEAR 28T	1	
10		CAM	1	
11		TENSION SPRING	1	
12		LEVER	1	

P19 Paper Take-Up Section 2 Parts List Table (Continued)

Key	Part No.	Description	Qty	Comments
13		TENSION SPRING	1	
14		FRICITION SHEET	1	
15		PLATE SPRING	1	
16		GEAR 27T	1	
17		CAM	1	
18	059E05460	ROLLER	1	
19		STOPPER	2	
20		SHAFT	1	
21		GEAR 27T	1	
22		BRACKET	1	
23	121E20250	TRAY 1 PAPER PICK SOLENOID (SL1)	1	
24		SHIELD	1	
25		DRUM	1	
26		RATCHET	1	
27		TORSION SPRING	1	
28		GEAR 35T	1	
29		WASHER	1	
30		BRACKET	1	
31		GEAR 21/25T	1	
32		GEAR 14/20T	1	
33		GEAR 14T	1	
34		LEVER ASSY	1	
35		TENSION SPRING	1	
36		GEAR 17/26T	1	
37		GEAR 20T	1	
38		CAM	1	
39		PRESSURE SPRING	1	
a b c	604K35500	Part of Hardware Kit		

P20 Paper Take-Up Section 3



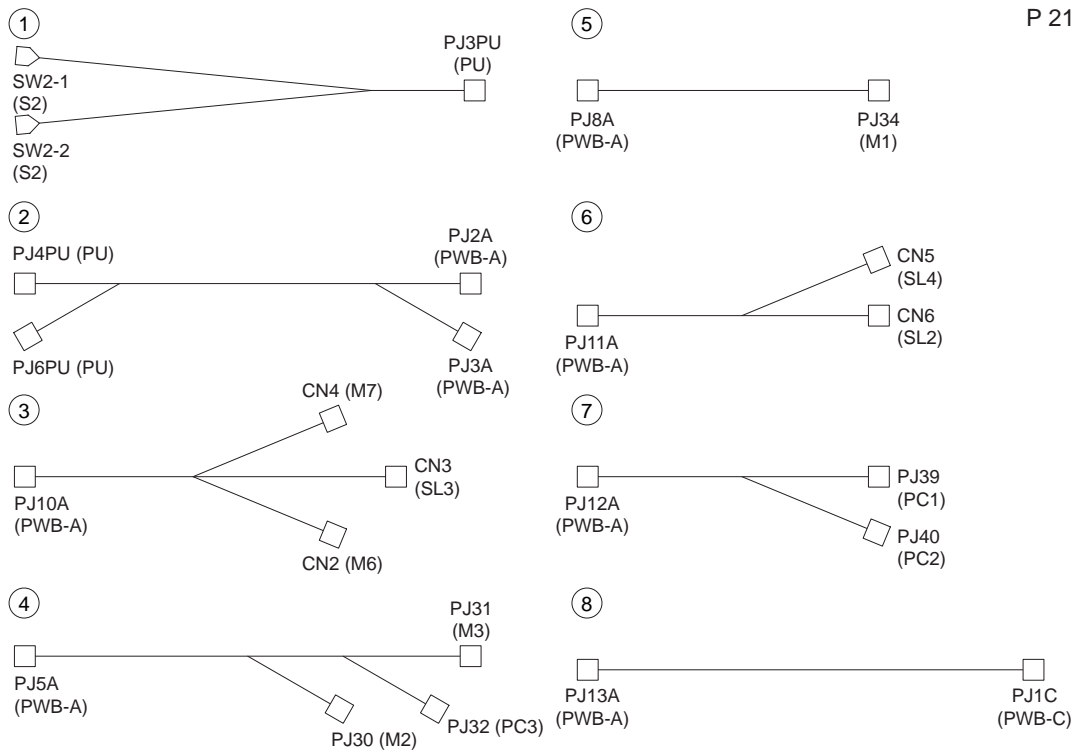
P20 Paper Take-Up Section 3 Parts List Table

Key	Part No.	Description	Qty	Comments
1	053K04740	TRAY 1	1	Includes all parts within the dotted lines. Regulating plate assembly.
2		FRICION SHEET	1	
3		LIFTING PLATE	1	
4		REGULATING PLATE	1	
5		REGULATING PLATE	1	
6		LEVER	1	
7	019E74420	HOLDER	1	
8	050E23360	TRAY 1 COVER	1	
9		GEAR 14T	1	
10		RACK	2	

P20 Paper Take-Up Section 3 Parts List Table (Continued)

Key	Part No.	Description	Qty	Comments
11	019E74430	HOLDER	1	
a b	604K35500	Part of Hardware Kit		

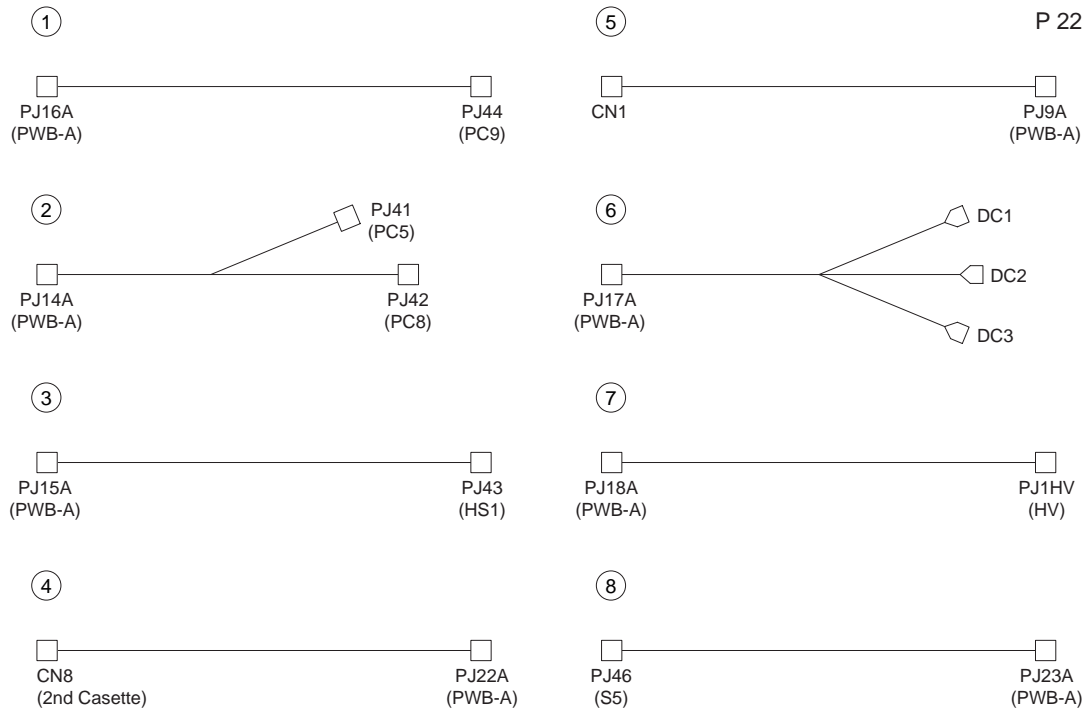
P21 Wiring



P21 Wiring Parts List Table

Key	Part No.	Description	Qty	Comments
1	962K49990	WIRE HARNESS ASSY	1	
2	962K50000	WIRE HARNESS ASSY	1	
3	962K50010	WIRE HARNESS ASSY	1	
4	962K50020	WIRE HARNESS ASSY	1	
5	962K50030	WIRE HARNESS ASSY	1	
6	962K50040	WIRE HARNESS ASSY	1	PWBA=IMAGING UNIT
7	962K50050	WIRE HARNESS ASSY	1	
8	962K50060	WIRE HARNESS ASSY	1	

P22 Wiring



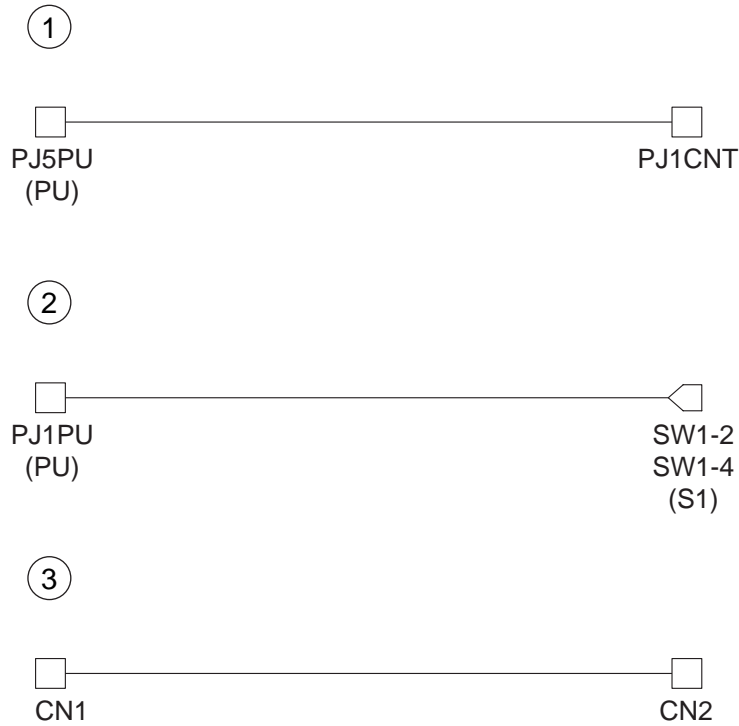
P22 Wiring Parts List Table

Key	Part No.	Description	Qty	Comments
1	962K50070	WIRE HARNESS ASSY	1	
2	962K50080	WIRE HARNESS ASSY	1	
3	962K50090	WIRE HARNESS ASSY	1	
4		WIRE HARNESS ASSY	1	
5	962K50100	WIRE HARNESS ASSY	1	
6	962K50110	WIRE HARNESS ASSY	1	PWB-A<=>IMAGING UNIT
7	962K50120	WIRE HARNESS ASSY	1	
8	962K50130	WIRE HARNESS ASSY	1	

*Items 1-8 included in the hardware kit.

P23 Wiring

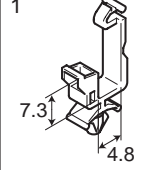
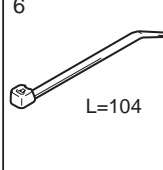
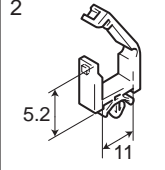
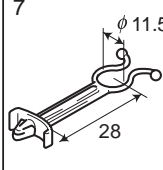
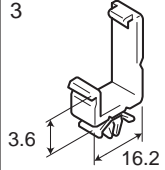
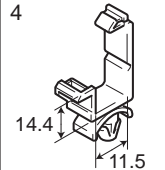
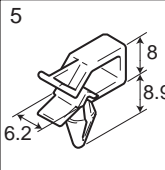
P 23



P23 Wiring Parts List Table

Key	Part No.	Description	Qty	Comments
1	962K50140	WIRE HARNESS ASSY	1	PU<=>OP PANEL
2		WIRE HARNESS ASSY	1	
3	962K50150	WIRE HARNESS ASSY	1	PWB-P<=>OP PANEL

P24 Wiring Accessories

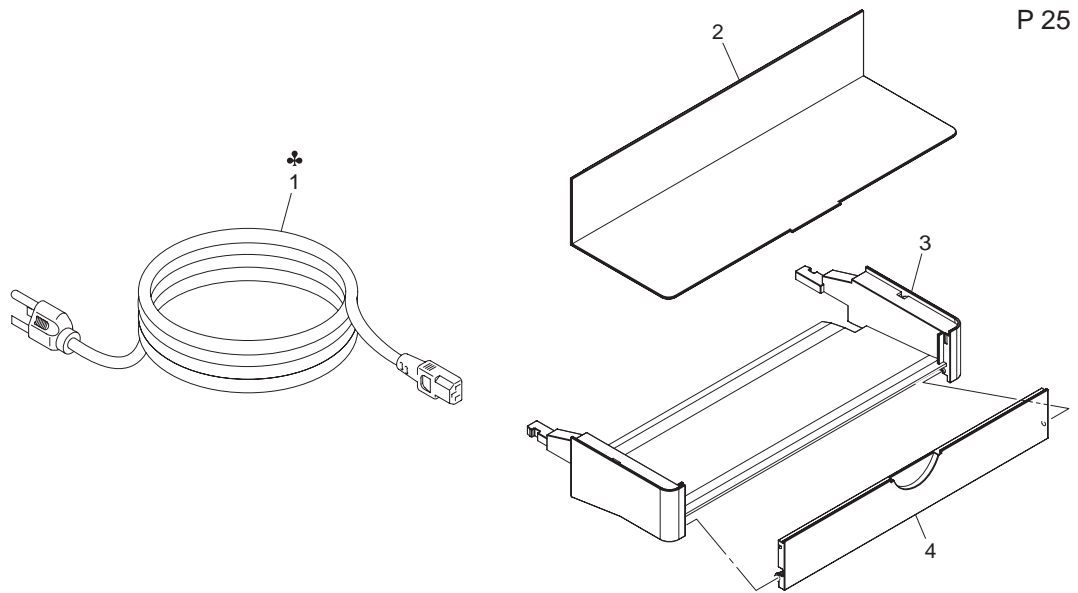
1 	6 	11	16	21	26
2 	7 	12	17	22	27
3 	8	13	18	23	28
4 	9	14	19	24	29
5 	10	15	20	25	30

P24 Wiring Parts List Table

Key	Part No.	Description	Qty	Comments
1		WIRING SADDLE	4	
2		WIRING SADDLE 5.2H	6	
3		WIRING SADDLE 18.5H	3	
4		WIRING SADDLE 14.4H	4	
5		WIRING SADDLE 8.0H	1	
6		CABLE TIE 104L	2	
7		SO CLIP	1	

*Items 1-7 included in the hardware kit.

P25 Accessories



P 25

P25 Accessories Parts List Table

Key	Part No.	Description	Qty	Comments
1	117E29050	POWER CORD (120 V)	1	
2	802E99630	COVER	1	
3	050E23370	TRAY	1	
4	802E99640	COVER	1	

Miscellaneous Parts, Consumables, Maintenance Parts, and Options

Key	Part No.	Description	Qty	Comments
	604K35500	HARDWARE KIT		
	117E29060	CABLE ASSEMBLY, 3, 18AWG, 115V, 98, 0L		
	117E29070	CABLE, PWR, EURO, 220V, 99L9		
	117E29080	CABLE, PWR, U.K., 240V, 96L		
	117E29090	CABLE, PWR, AUST, 240V, 96L		
	117E29100	CABLE, PWR, SWISS, 220/240V, 50 HZ		
	117E29110	CABLE ASSEMBLY, PWR, DANISH, 250V		
	117E29120	CABLE ASSEMBLY, PWR PRC		
	117E29130	POWER, 240, ARGENTINA		
	084K3550	DUPLEX UNIT		Includes 128 MB memory
	059K51210	OPTIONAL LTA (500 SHEET FEEDER, LETTER)		
	059K51290	OPTIONAL LTA (500 SHEET FEEDER, A4-SIZE)		
	121K44630	HARD DISK		
	133K25150	128MB MEMORY		
	113R00689	CYAN STANDARD CAPACITY TONER CARTRIDGE		
	113R00690	YELLOW STANDARD CAPACITY TONER CARTRIDGE		
	113R00691	MAGENTA STANDARD CAPACITY TONER CARTRIDGE		
	113R00692	BLACK HIGH CAPACITY TONER CARTRIDGE		
	113R00693	CYAN HIGH CAPACITY TONER CARTRIDGE		
	113R00694	YELLOW HIGH CAPACITY TONER CARTRIDGE		
	113R00695	MAGENTA HIGH CAPACITY TONER CARTRIDGE		

Key	Part No.	Description	Qty	Comments
	108R00691	IMAGING UNIT		
	059E05450	TRANSFER ROLLER		
	023E30890	TRANSFER BELT		
	126K23190	FUSER (120 V)		
	126K23200	FUSER (220 V)		
	695K23070	REPACK KIT		