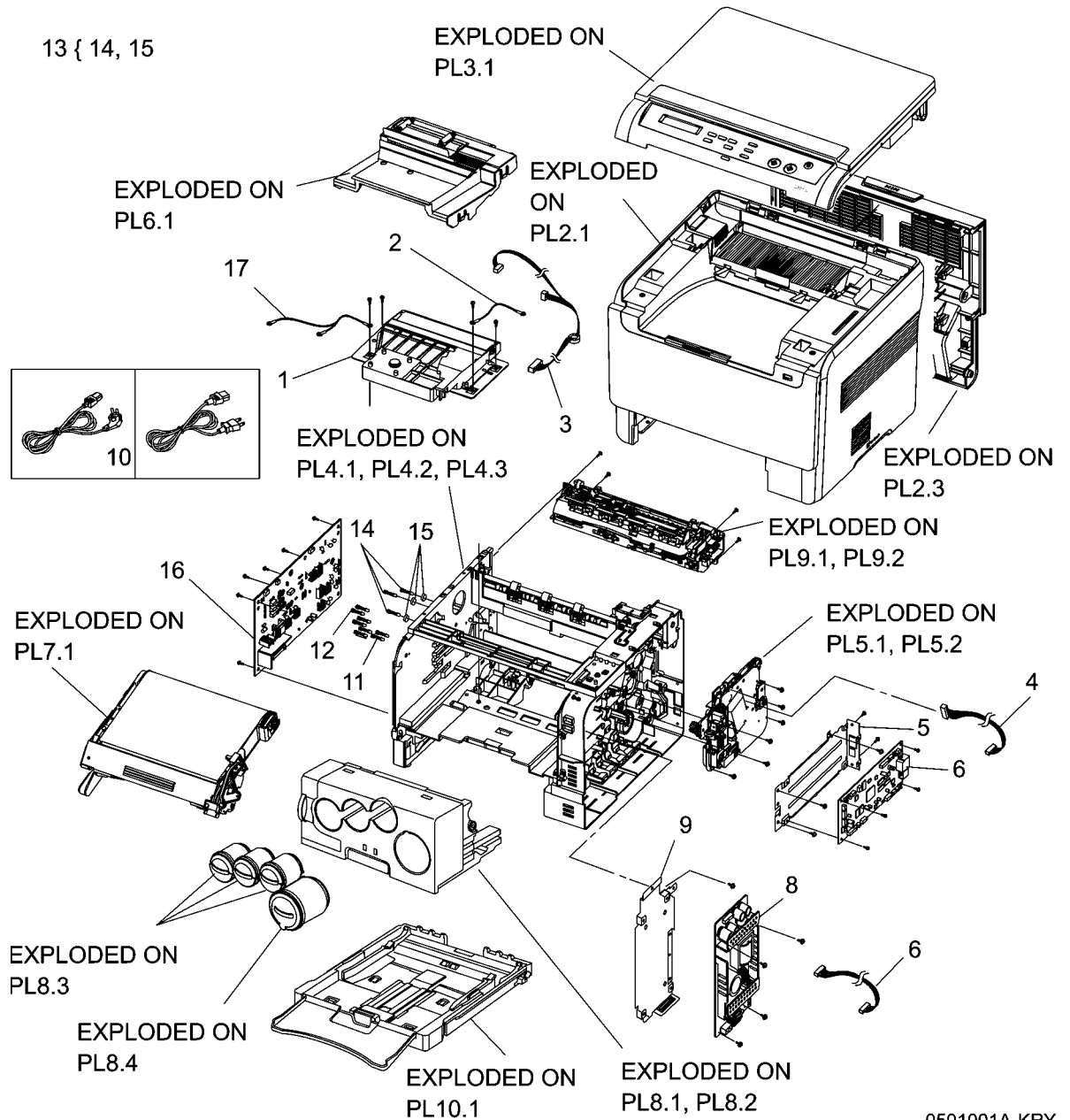


PL 1.1 Main Units

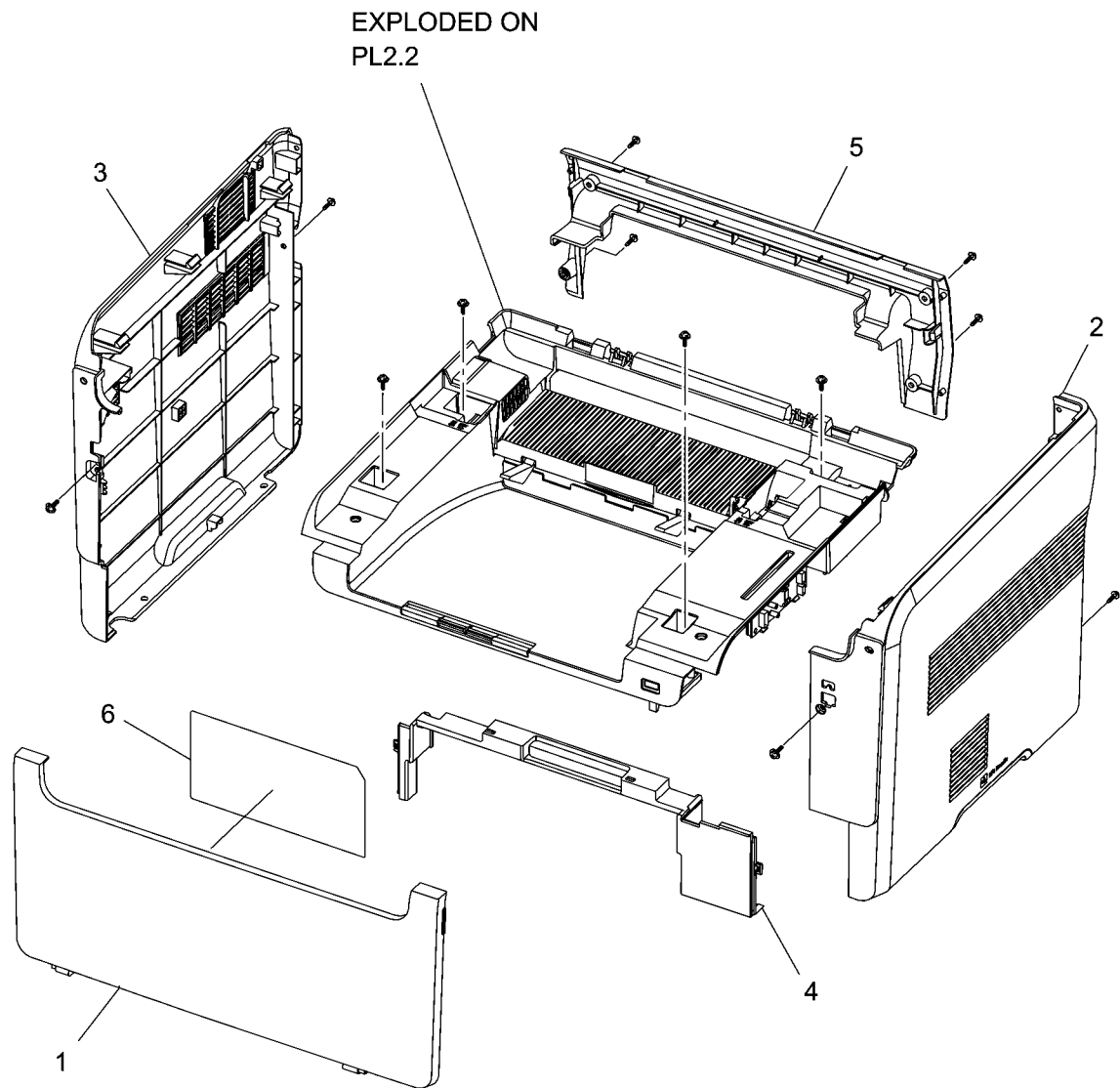
Item	Part	Description
1	002N02634	Cover
2	-	Ground Harness (Not Spared)
3	-	CBF Harness (Not Spared)
4	-	BLDC Harness (Not Spared)
5	-	Main Lower Shield (Not Spared)
6	140N63283	Controller Main PWB (REP 4.2)
7	-	SMPS Harness (Not Spared)
8	105N02139	TYPE2 V1 SMPS Power Supply (REP 4.4)
-	105N02140	Type2 V2C SMPS Power Supply (REP 4.4)
9	-	SMPS Shield (Not Spared)
10	-	Power Cord (Not Spared)
11	-	Large Spring (Not Spared)
12	-	Terminal (Not Spared)
13	116N00251	Terminal Assembly
14	-	Spring (P/O Item 13)
15	-	Terminal (P/O Item 13)
16	105N02136	HVPS (REP 4.3)
17	-	S/W Harness (Not Spared)



0501001A-KRY

PL 2.1 Outer Covers

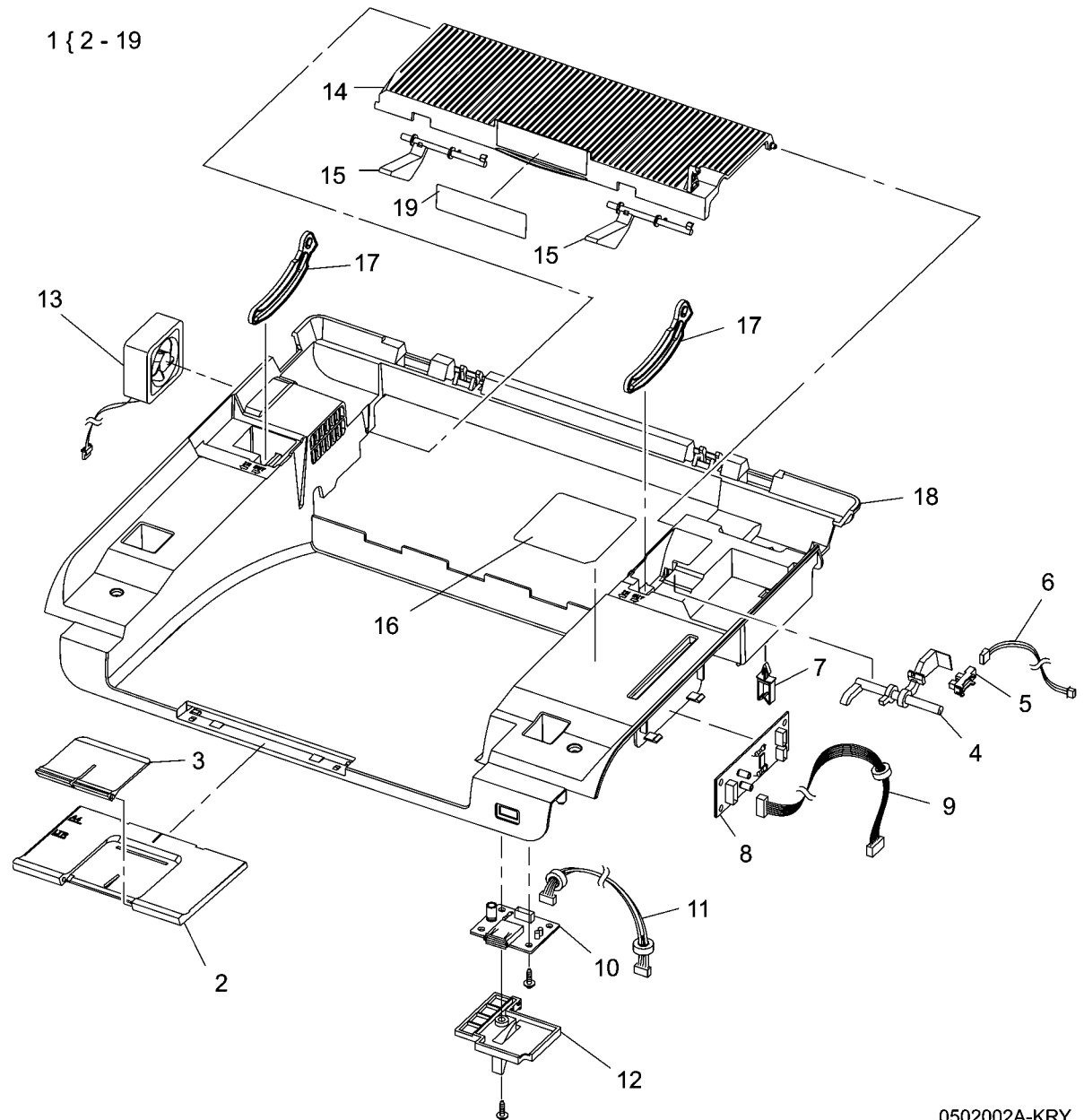
Item	Part	Description
1	002N02705	Front Cover (REP 1.5)
2	002N02703	Right Cover (REP 1.2)
3	002N02702	Left Cover (REP 1.3)
4	–	Front Dummy Cover (Not Spared) (REP 1.4)
5	–	Rear Dummy Cover (Not Spared) (REP 1.1)
6	–	Label (Not Spared)



0502001A-KRY

PL 2.2 Middle Cover

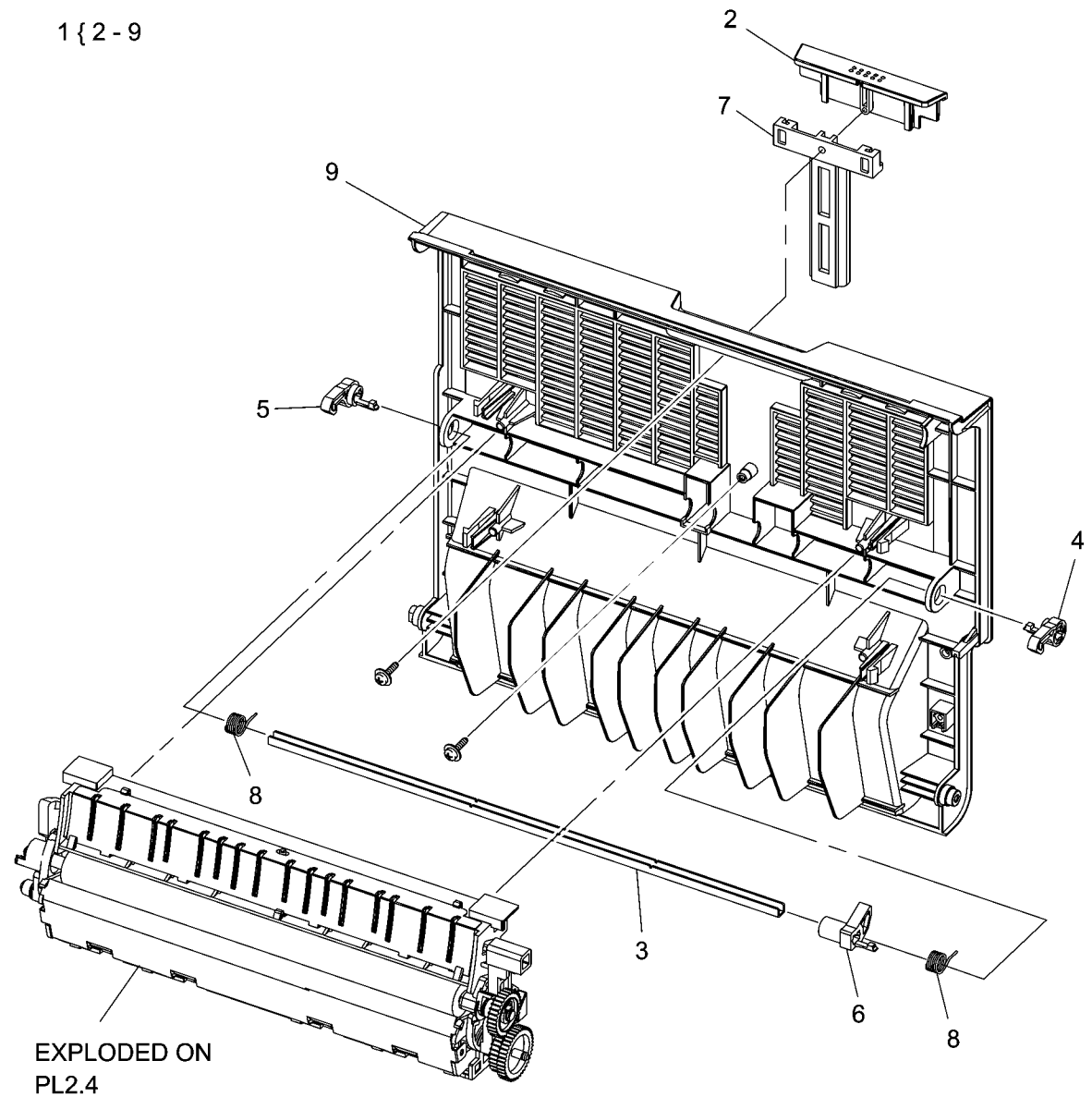
Item	Part	Description
1	002N02704	Middle Cover Assembly (REP 1.7)
2	-	Output Tray (P/O Item 1)
3	-	Small Stacker (P/O Item 1)
4	-	Outfull Actuator (P/O Item 1)
5	130N01274	Interrupter Photo Sensor
6	-	Bin Full Harness (P/O Item 1)
7	-	Cable Clamp (P/O Item 1)
8	140N63284	Joint Scanner PWB
9	-	Joint Scanner Harness (P/O Item 1)
10	140N63106	USB Host PWB
11	-	USB Host Harness (P/O Item 1)
12	-	USB Cover (P/O Item 1)
13	127N07529	Fan
14	-	Jam Cover (P/O Item 1)
15	-	Stacker Actuator (P/O Item 1)
16	-	Middle Cover (P/O Item 1)
17	-	Scanner Stopper
18	-	Middle Cover (P/O Item 1)
19	-	Label (P/O Item 1)



0502002A-KRY

PL 2.3 Rear Cover

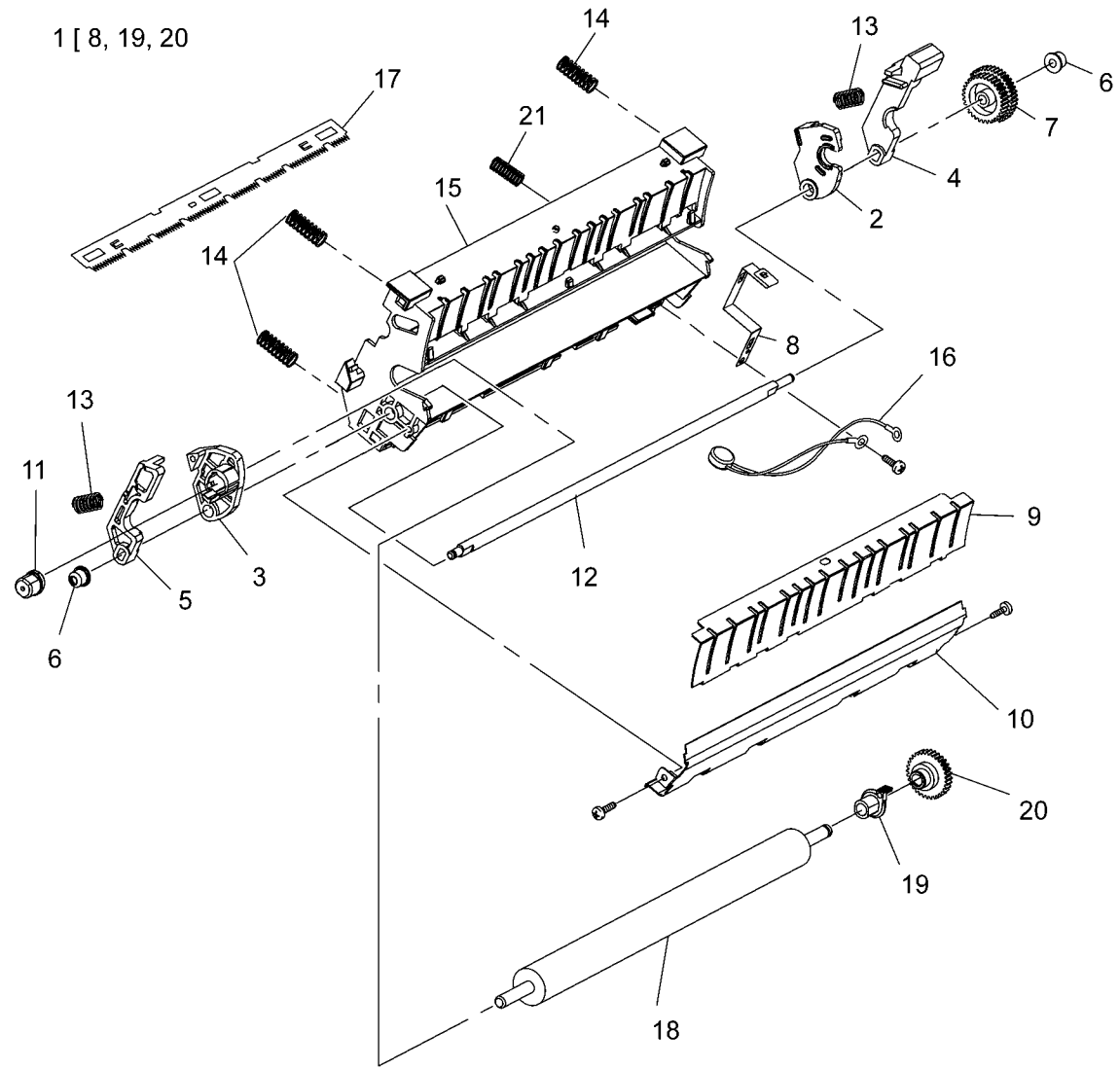
Item	Part	Description	
1	002N02630	Rear Cover Assembly (REP 1.6)	1 { 2 - 9
2	-	Rear Open Button (P/O Item 1)	
3	-	Rear Lockbar Shaft (P/O Item 1)	
4	-	Right Rear Hook Holder (P/O Item 1)	
5	-	Left Rear Hook Holder (P/O Item 1)	
6	-	Rear Center Hook Holder (P/O Item 1)	
7	-	Rear Lock Lever (P/O Item 1)	
8	-	Spring (P/O Item 1)	
9	-	Rear Cover (P/O Item 1)	



0502003A-KRY

PL 2.4 Transfer Unit

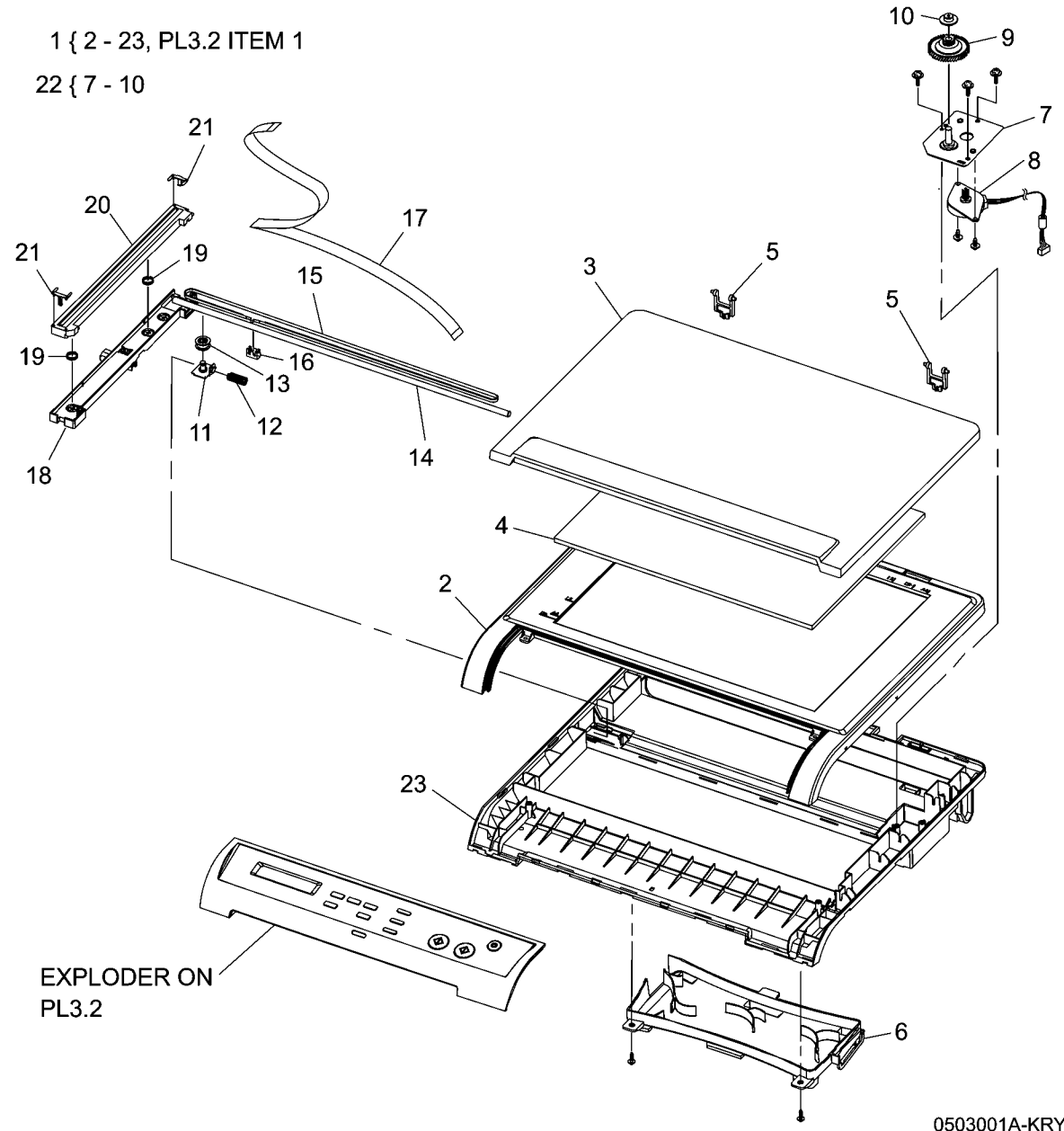
Item	Part	Description
1	022N02299	Roller Assembly (REP 8.1)
2	-	Right Holder Level (Not Spared)
3	-	Left Holder Lever (Not Spared)
4	-	Right Release Lever (Not Spared)
5	-	Left Release Lever (Not Spared)
6	-	Locate Shaft Holder (Not Spared)
7	-	Drive Gear (Not Spared)
8	-	Ground Plate Roller (Not Spared)
9	-	Output Guide (Not Spared)
10	-	Input Guide (Not Spared)
11	-	Left Charge Bushing (Not Spared)
12	-	Locating Shaft (Not Spared)
13	-	Spring (Not Spared)
14	-	Spring (Not Spared)
15	-	Base Frame (Not Spared)
16	-	Ground CBF Harness (Not Spared)
17	-	Saw Plate (Not Spared)
18	-	Transfer Roller (Not Spared)
19	-	Right Roller Holder (P/O Item 1)
20	-	Roller Gear (P/O Item 1)
21	-	Spring (Not Spared)



0502004A-KRY

PL 3.1 Scanner Assembly

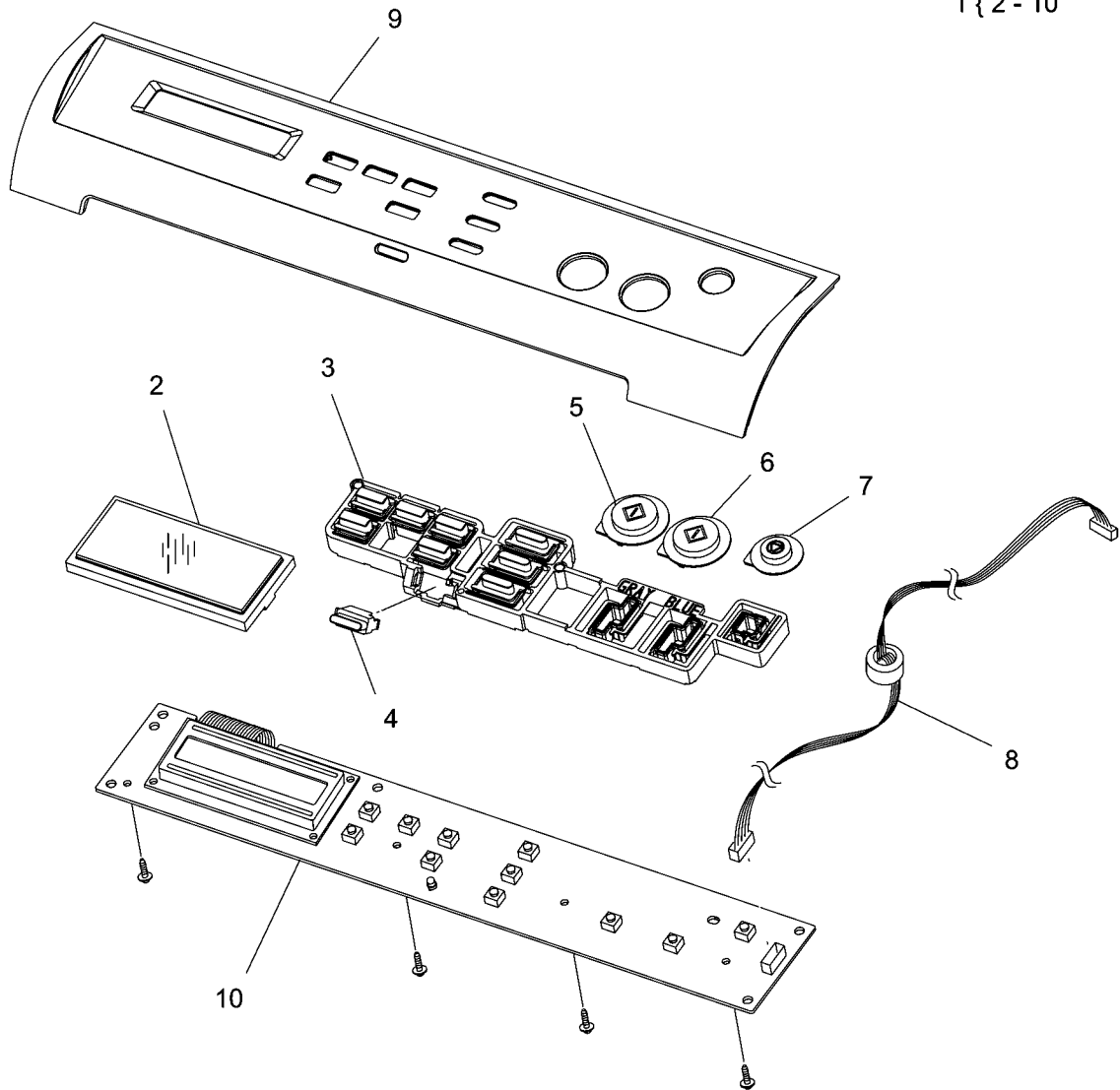
Item	Part	Description
1	109N00686	Scanner Assembly (REP 3.1)
2	109N00687	Upper Scan Unit
3	002N02709	Platen Cover Assembly
4	095N00274	Sponge Sheet
5	003N01029	Pivot Hinge
6	-	Plate (P/O Item 1)
7	-	Scan Motor Bracket (P/O Item 23)
8	127N07555	Step Scan Motor
9	-	Pulley Gear (P/O Item 23)
10	-	Pulley Cap (P/O Item 23)
11	-	Pulley Bracket (P/O Item 1)
12	-	Spring (P/O Item 1)
13	-	Idle Pulley
14	-	Shaft (P/O Item 1)
15	007N01549	Timing Gear Belt
16	-	Belt Clip (P/O Item 1)
17	152N11747	FFC Harness
18	-	Bracket (P/O Item 1)
19	-	Spring (P/O Item 1)
20	130N01530	Contact Image Sensor (REP 3.2)
21	-	Slider (P/O Item 1)
22	007N01552	Scan Drive Unit
23	002N02707	Lower Scan Unit



PL 3.2 OPE Cover Unit

Item	Part	Description
1	002N02706	OPE Unit Cover
2	-	LCD Cap (P/O Item 1)
3	-	Menu Key (P/O Item 1)
4	-	LED Cap (P/O Item 1)
5	-	Black Start Key (P/O Item 1)
6	-	Start Key (P/O Item 1)
7	-	Stop Key (P/O Item 1)
8	152N11748	Harness
9	-	Panel Cover (P/O Item 1)
10	140N63285	OPE PWB (REP 4.1)

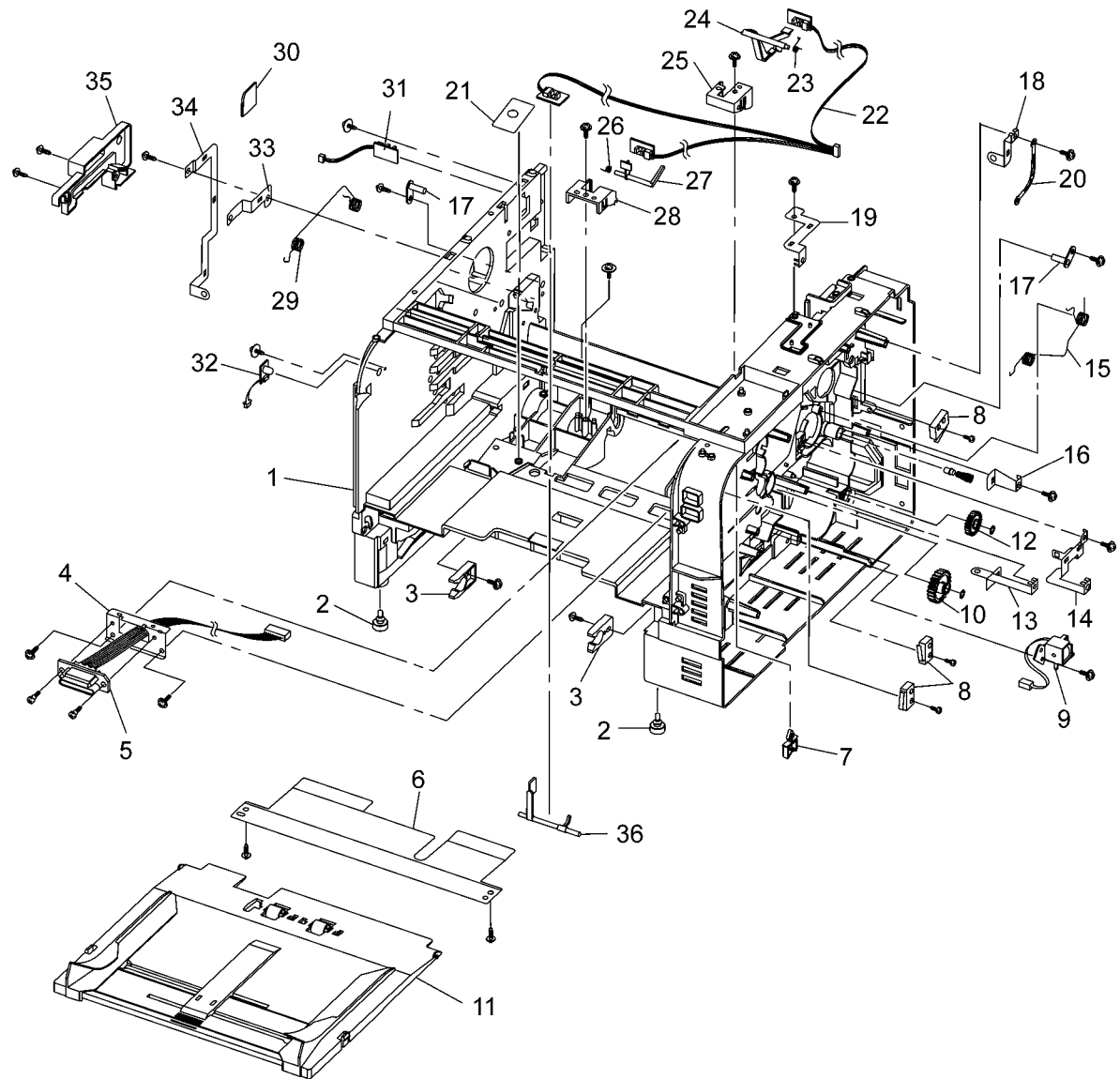
1 { 2 - 10



0503002A-KRY

PL 4.1 Frame Assembly (1 of 3)

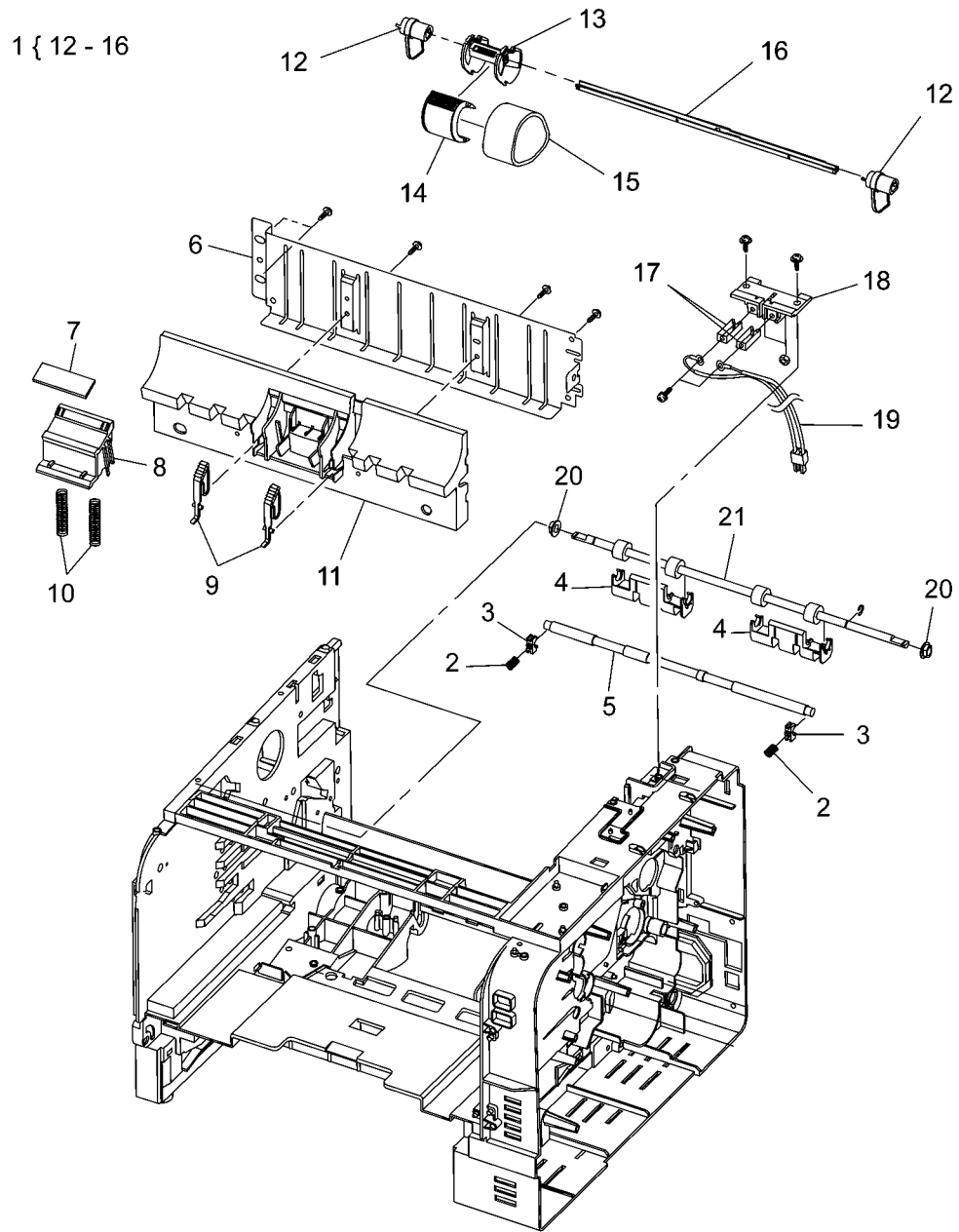
Item	Part	Description
1	—	Base Frame (Not Spared)
2	—	Foot (Not Spared)
3	—	Catch Cam (Not Spared)
4	—	Connector Plate (Not Spared)
5	—	Main Drawer Harness (Not Spared)
6	—	Baffle (Not Spared)
7	—	Cable Clamp (Not Spared)
8	—	Cover Harness (Not Spared)
9	—	Solenoid (Not Spared)
10	—	Registration Drive Gear (Not Spared)
11	—	MP Bypass / Auxiliary Tray (Not Spared)
12	—	Duplicator Drive Gear (Not Spared)
13	—	Ground Plate (Not Spared)
14	—	Ground Registration Plate (Not Spared)
15	—	Right Lock Spring (Not Spared)
16	—	Ground Plate (Not Spared)
17	—	Shaft Plate (Not Spared)
18	—	Fuser Ground Plate (Not Spared)
19	—	Ground Exit Plate (Not Spared)
20	—	Ground Harness (Not Spared)
21	—	Label
22	—	Registration Harness (Not Spared)
23	—	Torsion Spring (Not Spared)
24	120N00503	Actuator Empty Level (REP 8.4)
25	—	Actuator Empty Holder (Not Spared)
26	—	Sensor Spring (Not Spared)
27	—	Actuator Feed Lever (Not Spared)
28	—	Actuator Feed Holder
29	—	Left Lock Spring (Not Spared)
30	—	Label (Not Spared)
31	—	Sensor
32	—	Waste PWB (Not Spared)
33	—	Left Ground Plate (Not Spared)
34	—	Pickup Ground Plate (Not Spared)
35	—	Ground Cover (Not Spared)
36	—	Actuator (Not Spared)



0504001A-KRY

PL 4.2 Frame Assembly (2 of 3)

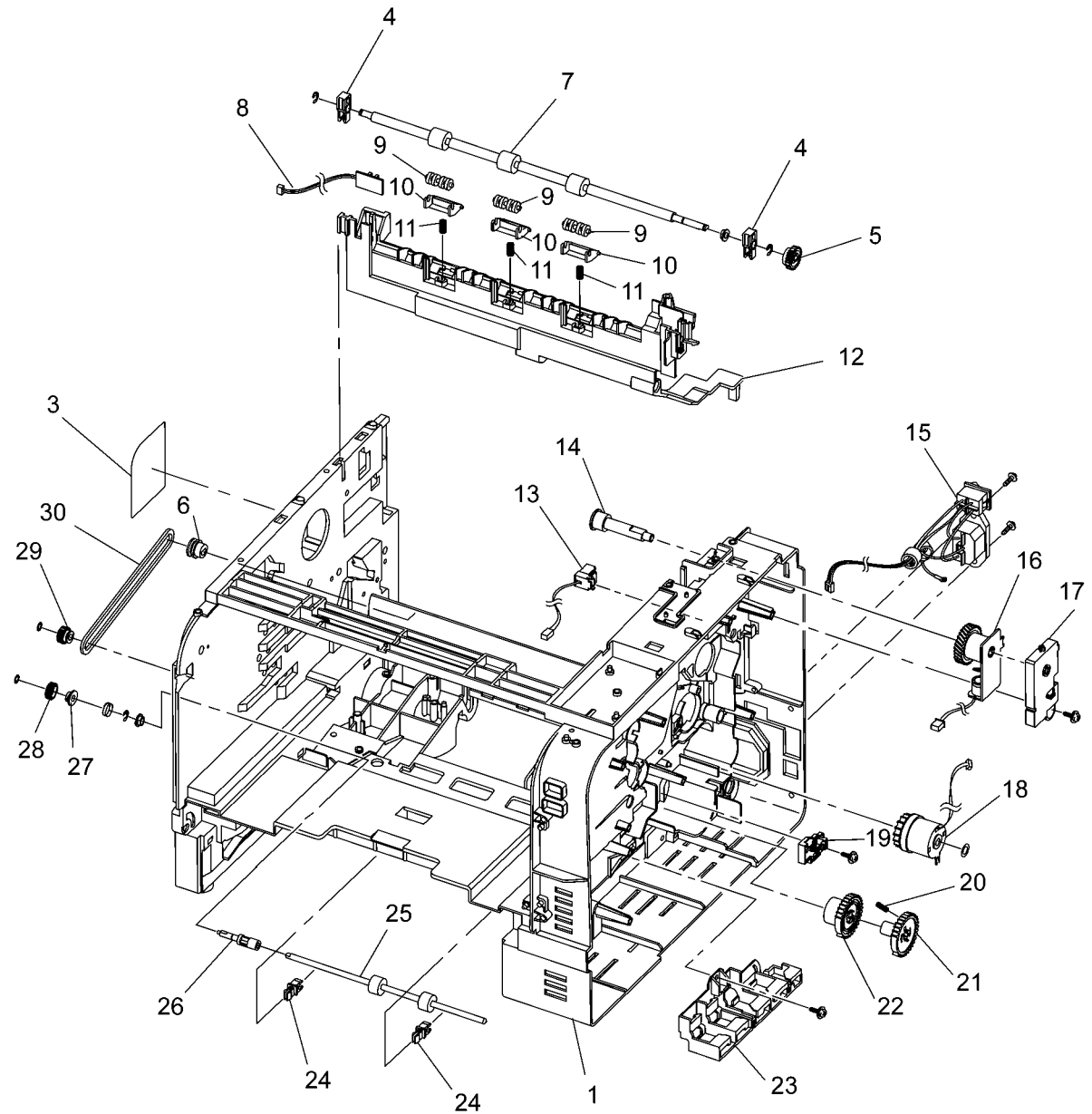
Item	Part	Description
1	-	Pickup Roll Assembly (Not Spared)
2	-	Exit Roll Spring (Not Spared)
3	-	Cam Holder (Not Spared)
4	-	Paper Guard (Not Spared)
5	-	Idler Feed Shaft (Not Spared)
6	-	Pickup Plate (Not Spared)
7	-	Friction Pad (Not Spared)
8	-	Pad Holder (Not Spared)
9	-	Kicker Pickup Lever (Not Spared)
10	-	Exit Roll Spring (Not Spared)
11	-	Pickup Guide (Not Spared)
12	-	Pickup Cam (Not Spared)
13	-	Pickup Housing (Not Spared)
14	-	Pickup B Housing (Not Spared)
15	130N01409	Pickup Rubber (REP 8.2, 8.3)
16	-	Pickup Shaft (Not Spared)
17	-	Terminal (Not Spared)
18	-	Terminal Housing (Not Spared)
19	-	Fuser AC Harness (Not Spared)
20	-	Bushing (D6/L4)
21	-	Registration Roller (Not Spared) (REP 8.5)



0504002A-KRY

PL 4.3 Frame Assembly (3 of 3)

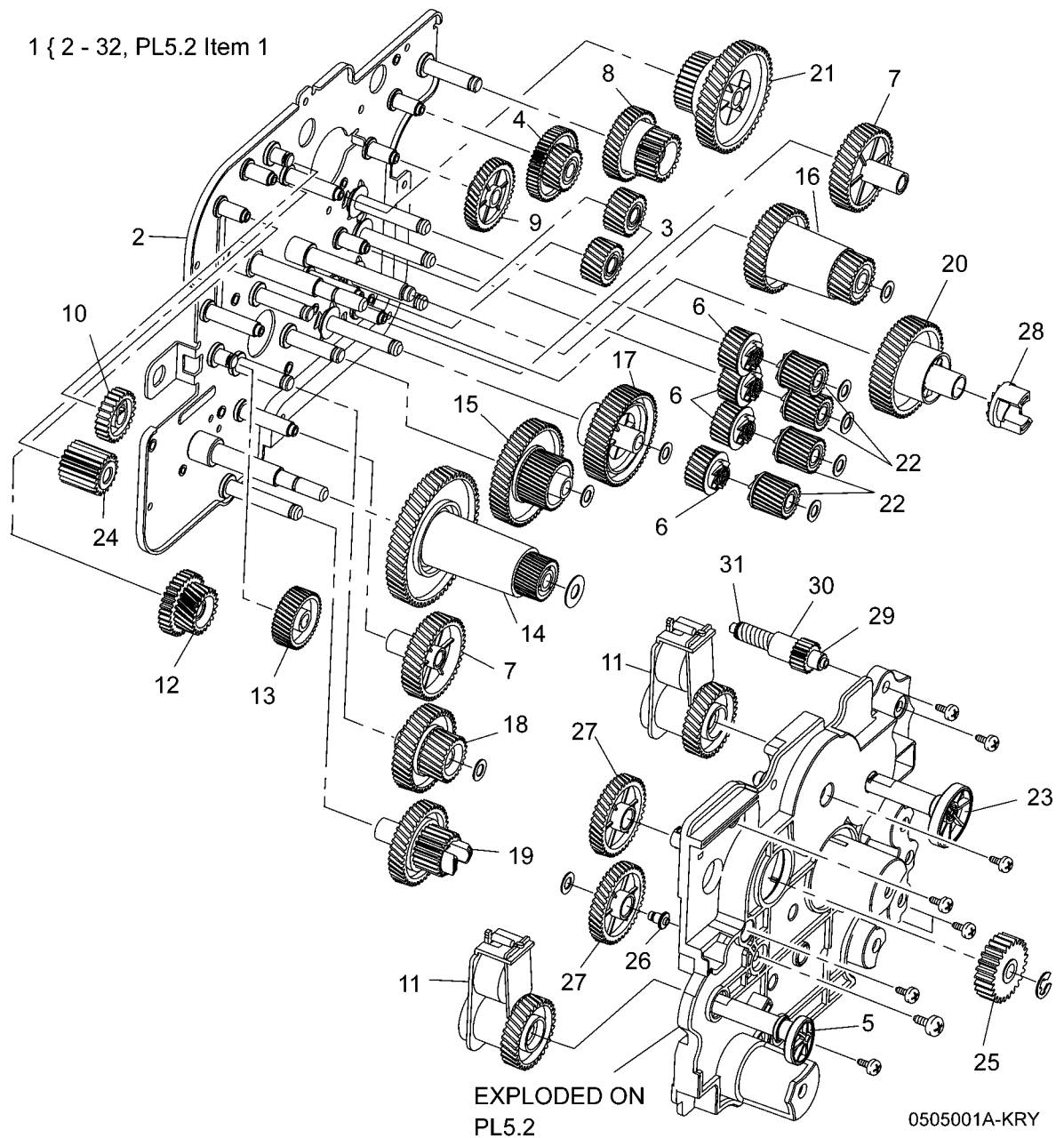
Item	Part	Description
1	-	Frame
2	-	Pickup Gear Assembly (Not Spared)
3	130N01501	Unit Measure Label
4	-	Exit Bearing (Not Spared)
5	-	Bushing (Not Spared)
6	-	Pickup Pulley (Not Spared)
7	-	Down Exit Roller (Not Spared) (REP 8.7)
8	-	Exit PWB
9	-	Main Exit Roller (Not Spared)
10	-	Exit Holder (Not Spared)
11	-	Spring (Not Spared)
12	-	Exit Frame (Not Spared)
13	-	Harness Cover (Not Spared)
14	-	Fuser Clutch Shaft (Not Spared)
15	-	Inlet Harness (Not Spared)
16	-	MEP Cam Clutch (Not Spared)
17	-	Fuser Clutch Holder (Not Spared)
18	-	MEP Registration Clutch (Not Spared)
19	-	Plate (Not Spared)
20	-	Spring (Not Spared)
21	-	Pickup Gear B (Not Spared)
22	-	Pickup Gear A (Not Spared)
23	-	Harness Guide (Not Spared)
24	-	Feed Bushing (Not Spared)
25	-	Feed Roller (Not Spared) (REP 8.6)
26	-	Feed Shaft (Not Spared)
27	-	Clutch Bushing (Not Spared)
28	-	Feed Gear (Not Spared)
29	-	Registration Pulley (Not Spared)
30	-	Rubber Flat Belt (Not Spared)



0504003a-KRY

PL 5.1 Main Drives (1 of 2)

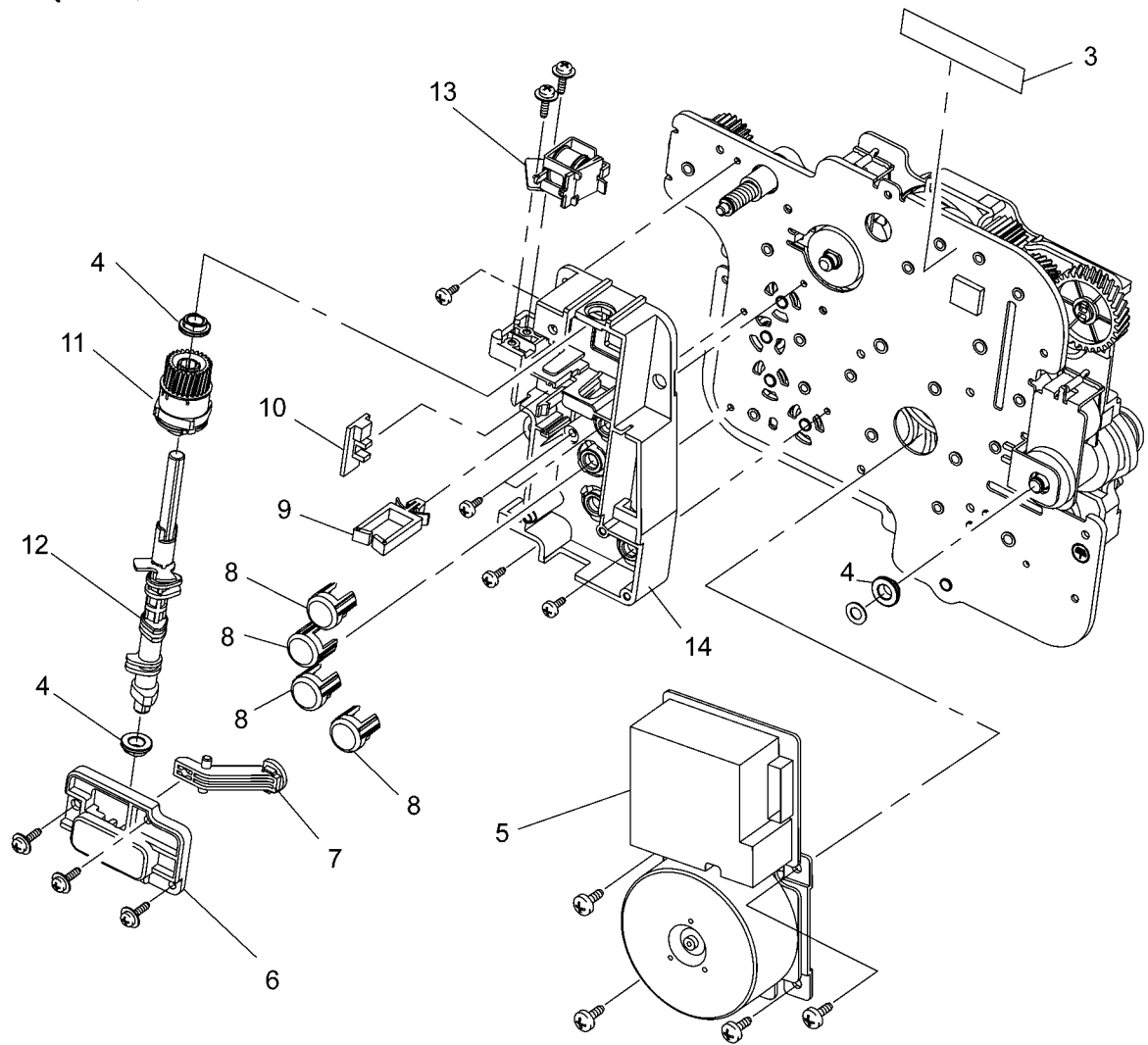
Item	Part	Description
1	007N01563	Main Drive Assembly (REP 7.1)
2	-	Drive Drive Bracket (P/O Item 1)
3	-	Developer Drive Gear (P/O Item 1)
4	-	Developer Cam Gear (P/O Item 1)
5	-	ITB Clean Cam Shaft (P/O Item 1)
6	-	Spring (P/O Item 1)
7	-	Idle Gear (P/O Item 1)
8	-	Toner Drive Gear (P/O Item 1)
9	-	Idle Gear (P/O Item 1)
10	-	Pick Up Idle Gear (P/O Item 1)
11	-	Clutch Cam (P/O Item 1)
12	-	Fuser Cam Gear (P/O Item 1)
13	-	ITB Idler Gear (P/O Item 1)
14	-	ITB Drive Gear (P/O Item 1)
15	-	OPC Gear (P/O Item 1)
16	-	Housing Sheet Gear (P/O Item 1)
17	-	Developer Gear (P/O Item 1)
18	-	P-Path Gear (P/O Item 1)
19	-	Pick Up Drive Gear (P/O Item 1)
20	-	Fuser Drive 1 Gear (P/O Item 1)
21	-	Exit Gear (P/O Item 1)
22	-	Developer Drive Gear (P/O Item 1)
23	-	Cam Shaft (P/O Item 1)
24	-	Idler Pick Up Gear (P/O Item 1)
25	-	Fuser Out V Gear (P/O Item 1)
26	-	Idler D8 Shaft (P/O Item 1)
27	-	Idler Z37 Gear (P/O Item 1)
28	-	Hub Latch Clutch (P/O Item 1)
29	-	Worm Gear Shaft (P/O Item 1)
30	-	Worm Developer Cam Gear (P/O Item 1)
31	-	C-Ring (P/O Item 1)



PL 5.2 Main Drives (2 of 2)

Item	Part	Description
1	—	Main Drive Assembly (P/O PL5.1 Item 1)
2	—	Motor Drive Bracket (P/O Item 1)
3	—	Serial Number Label (P/O Item 1)
4	—	Bushing (D6/L4) (P/O Item 1)
5	—	Developer Drive Motor (P/O Item 1)
6	—	Link Back Holder (P/O Item 1)
7	—	Push Back Cap Link (P/O Item 1)
8	—	Push Coupling (P/O Item 1)
9	—	Cable Clamp (P/O Item 1)
10	—	Home Sensor (P/O Item 1)
11	—	Development Clutch Unit (P/O Item 1)
12	—	Development Cam Shaft (P/O Item 1)
13	—	Development Cam Bracket (P/O Item 1)
14	—	Clutch Case (P/O Item 1)

1 { 2 - 14, PL5.1 Item 1

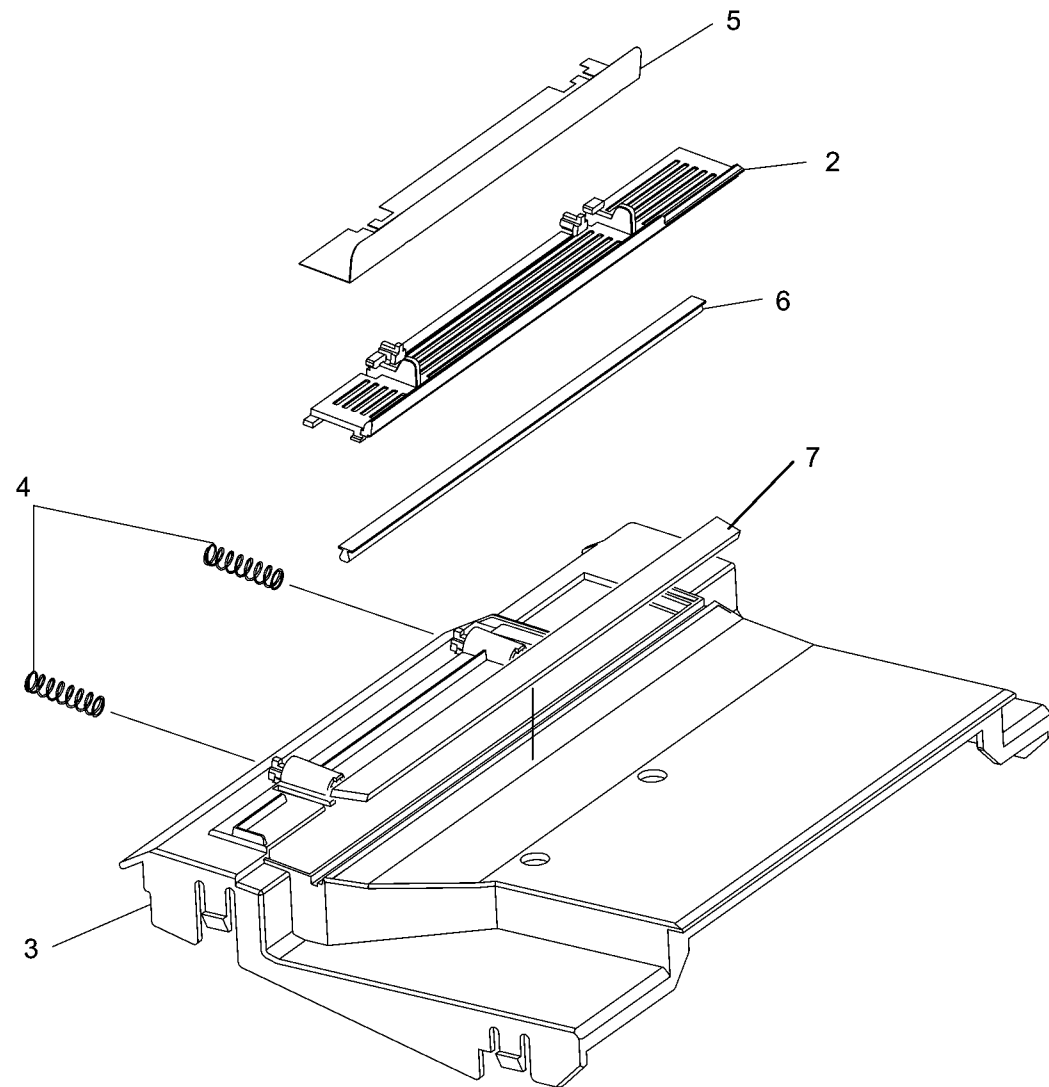


0505002A-KRY

PL 6.1 LSU Cover

Item	Part	Description
1	122N00263	LSU Cover Assembly (REP 6.1)
2	-	Shutter (P/O Item 1)
3	-	Cover (P/O Item 1)
4	-	Spring (P/O Item 1)
5	-	Front Sheet (P/O Item 1)
6	-	Brush (P/O Item 1)
7	-	Pad

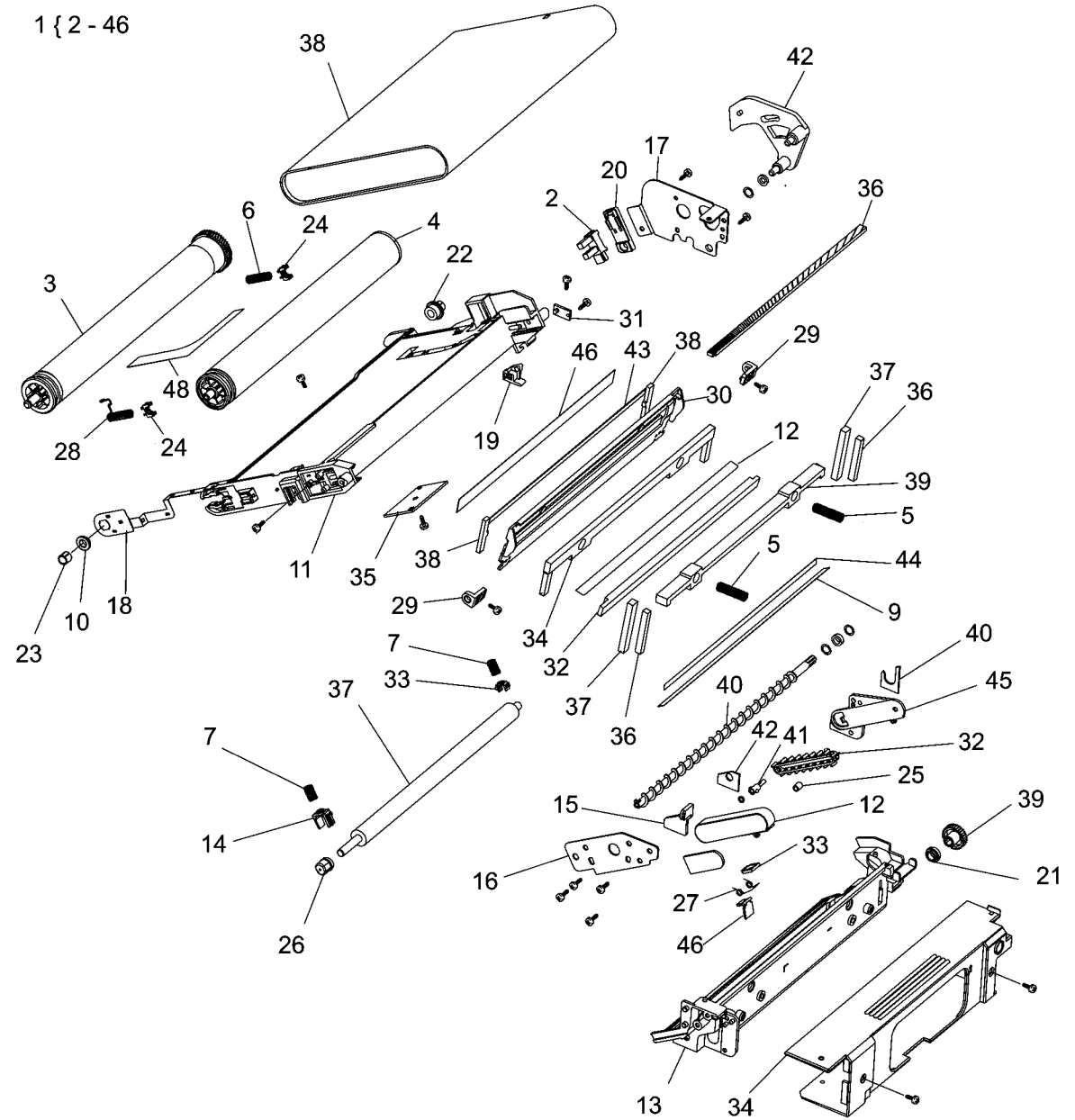
1 { 2 - 7



0506001A-KRY

PL 7.1 ITB Unit

Item	Part	Description
1	023N01169	ITB Assembly (REP 2.2)
2	-	Interrupter Photo Sensor (P/O Item 1)
3	-	ITB Drive Roll Assembly (P/O Item 1)
4	-	Guide Roll (P/O Item 1)
5	-	Spring (P/O Item 1)
6	-	Spring (P/O Item 1)
7	-	Spring (P/O Item 1)
8	-	Strip (P/O Item 1)
9	-	Housing Strip (P/O Item 1)
10	-	Bushing (P/O Item 1)
11	-	ITB Frame (P/O Item 1)
12	-	ITB Bracket (P/O Item 1)
13	-	Cleaning Housing (P/O Item 1)
14	-	Charge Bushing Holder (P/O Item 1)
15	-	Pole Guide (P/O Item 1)
16	-	Left Housing Bracket (P/O Item 1)
17	-	Right Housing Bracket (P/O Item 1)
18	-	Ground Plate (P/O Item 1)
19	-	Plate Holder (P/O Item 1)
20	-	Home Sensor Holder (P/O Item 1)
21	-	Change Cleaning Bushing (P/O Item 1)
22	-	Drive Bushing (P/O Item 1)
23	-	ITB Bushing (P/O Item 1)
24	-	Bushing (P/O Item 1)
25	-	Idler Waste Belt Bushing (P/O Item 1)
26	-	Left Charge Bushing (P/O Item 1)
27	-	Shutter Spring (P/O Item 1)
28	-	Ground Spring (P/O Item 1)
29	-	Blade Holder (P/O Item 1)
30	-	Blade Assembly (P/O Item 1)
31	-	Plate PWB (P/O Item 1)
32	-	Waste Rubber Belt (P/O Item 1)
33	-	Charge Bushing (P/O Item 1) (P/O Item 1)
34	-	Cover Handle (P/O Item 1)
35	-	Joint PWB (P/O Item 1)
36	-	Lens (P/O Item 1)
37	-	Roller (P/O Item 1)
38	-	Drum Belt (P/O Item 1)
39	-	Auger Gear (P/O Item 1)
40	-	Auger Shaft (P/O Item 1)
41	-	Belt Waste Shaft (P/O Item 1)
42	-	Blade Arm (P/O Item 1)
43	-	Blade Sheet (P/O Item 1)
44	-	Housing Sheet (P/O Item 1)
45	-	Waste Cover (P/O Item 1)
46	-	Strip (P/O Item 1)

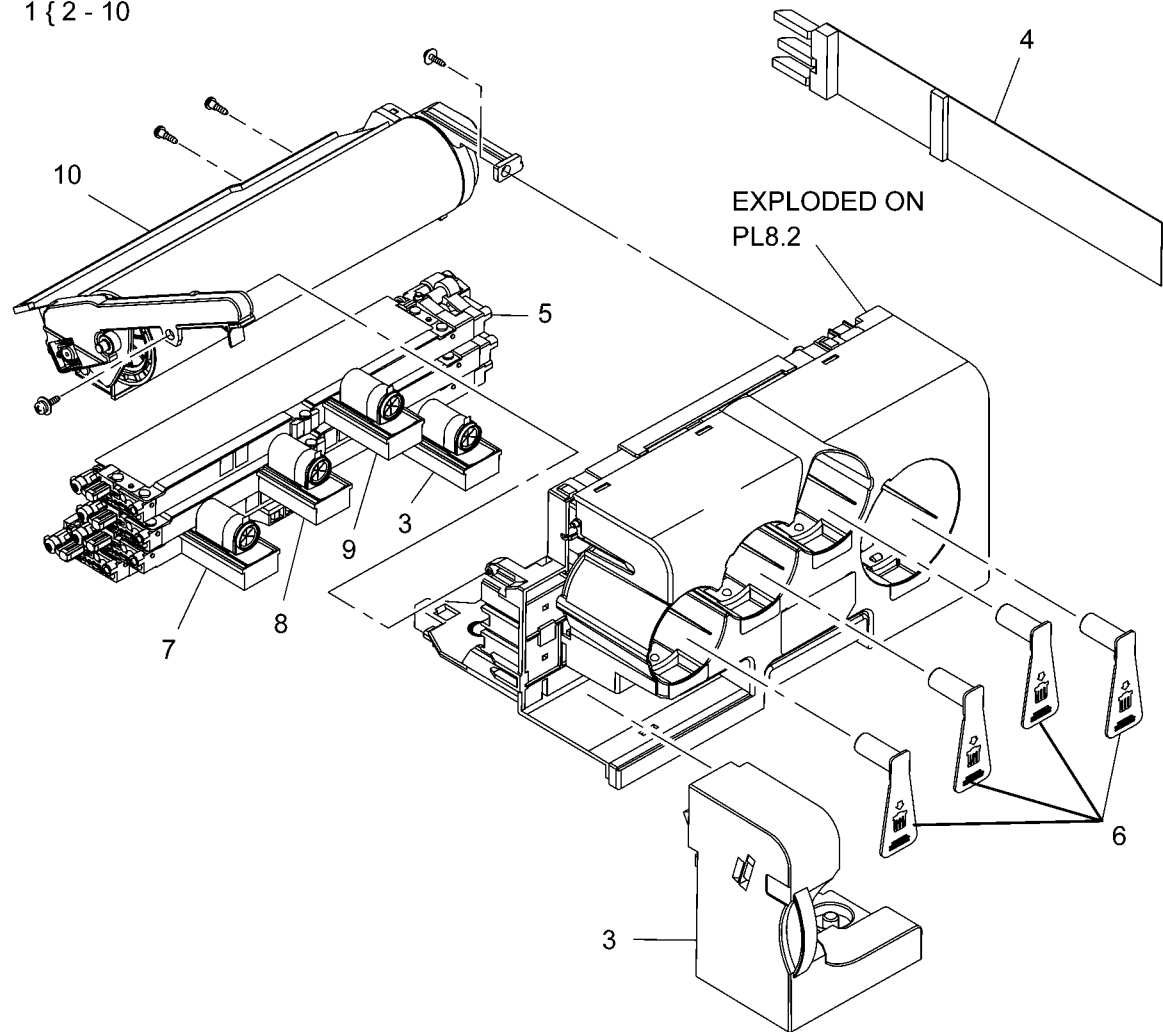


05007001-KRY

PL 8.1 OPC Developer Unit

Item	Part	Description
1	–	Developer Unit (Not Spared) (REP 2.1)
2	–	Toner Waste Assembly (P/O Item 1)
3	–	Developer K Assembly (P/O Item 1)
4	–	CBF Harness (P/O Item 1)
5	–	Developer Unit (P/O Item 1)
6	–	Developer Cap (P/O Item 1)
7	–	Developer C Assembly (P/O Item 1)
8	–	Developer M Assembly (P/O Item 1)
9	–	Developer Y Assembly (P/O Item 1)
10	–	OPC Set Unit (P/O Item 1)

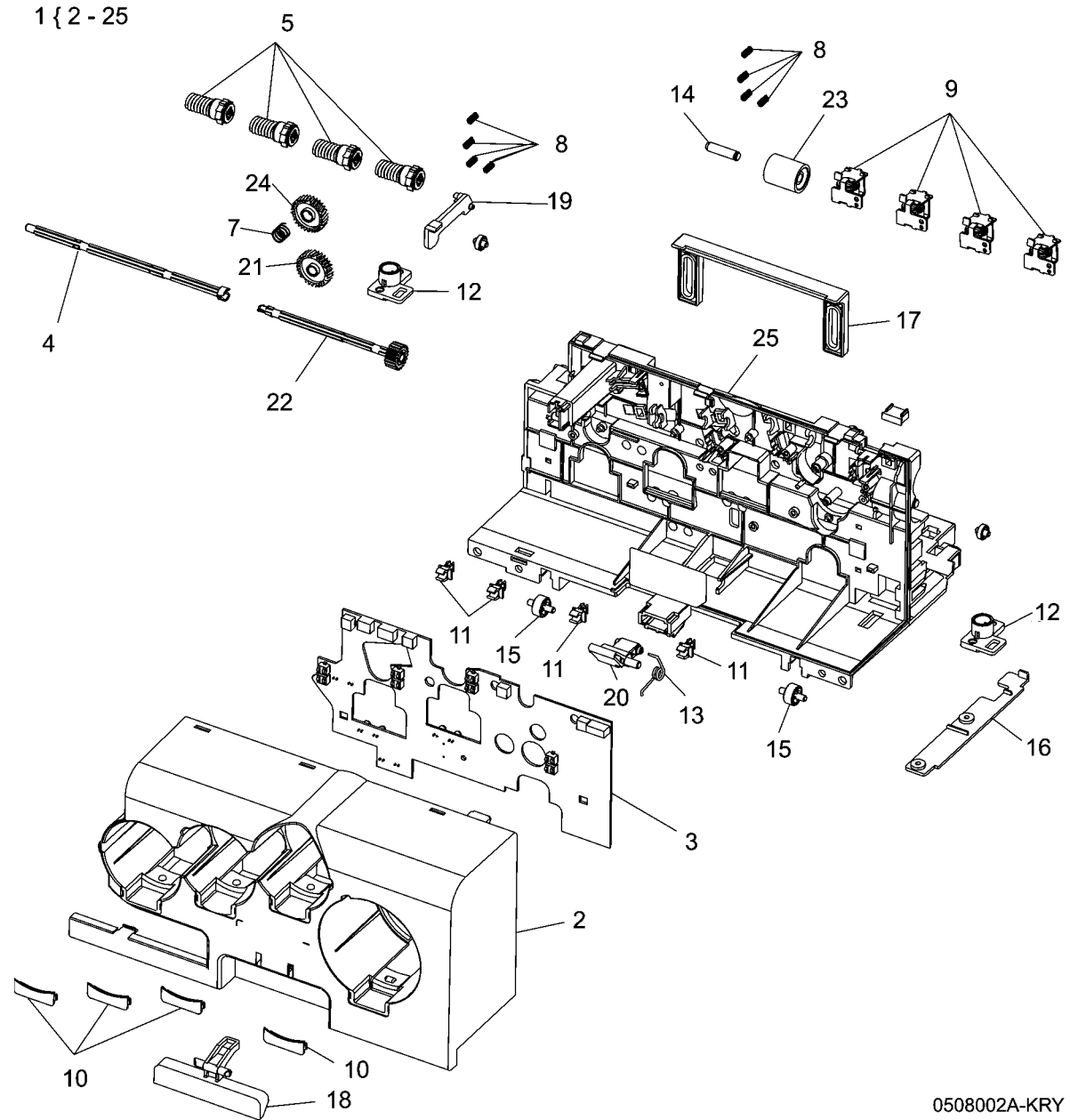
1 { 2 - 10



0508001A-KRY

PL 8.2 Developer Main Drive Set

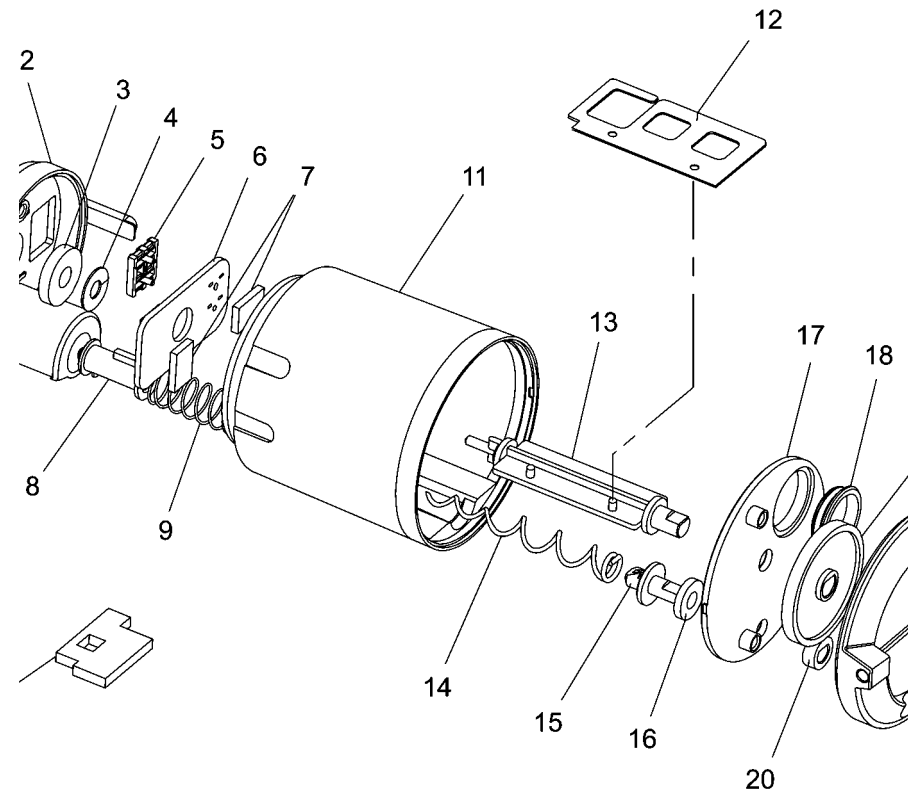
Item	Part	Description
1	—	OPC Developer Set (Not Spared)
2	—	Toner Bottle Cover (P/O Item 1)
3	—	Developer PWB (P/O Item 1)
4	—	Worm Agitator Gear (P/O Item 1)
5	—	Toner Clutch Assembly (P/O Item 1)
6	—	Idler Gear (P/O Item 1)
7	—	Spring (P/O Item 1)
8	—	Spring (P/O Item 1)
9	—	Toner Solenoid (P/O Item 1)
10	—	Dummy Cap (P/O Item 1)
11	—	Feed Bushing (P/O Item 1)
12	—	Support Holder (P/O Item 1)
13	—	Lock Spring (P/O Item 1)
14	—	Gear Stud (P/O Item 1)
15	—	Slide Roller (P/O Item 1)
16	—	Wire Cover (P/O Item 1)
17	—	Handle (P/O Item 1)
18	—	Lock Handle (P/O Item 1)
19	—	Waste Level Sensor (P/O Item 1)
20	—	Developer Lever Lock (P/O Item 1)
21	—	Idler Gear (P/O Item 1)
22	—	Drive Gear (P/O Item 1)
23	—	Idler Gear (P/O Item 1)
24	—	Gear (P/O Item 1)
25	—	Main Developer Frame (P/O Item 1)



0508002A-KRY

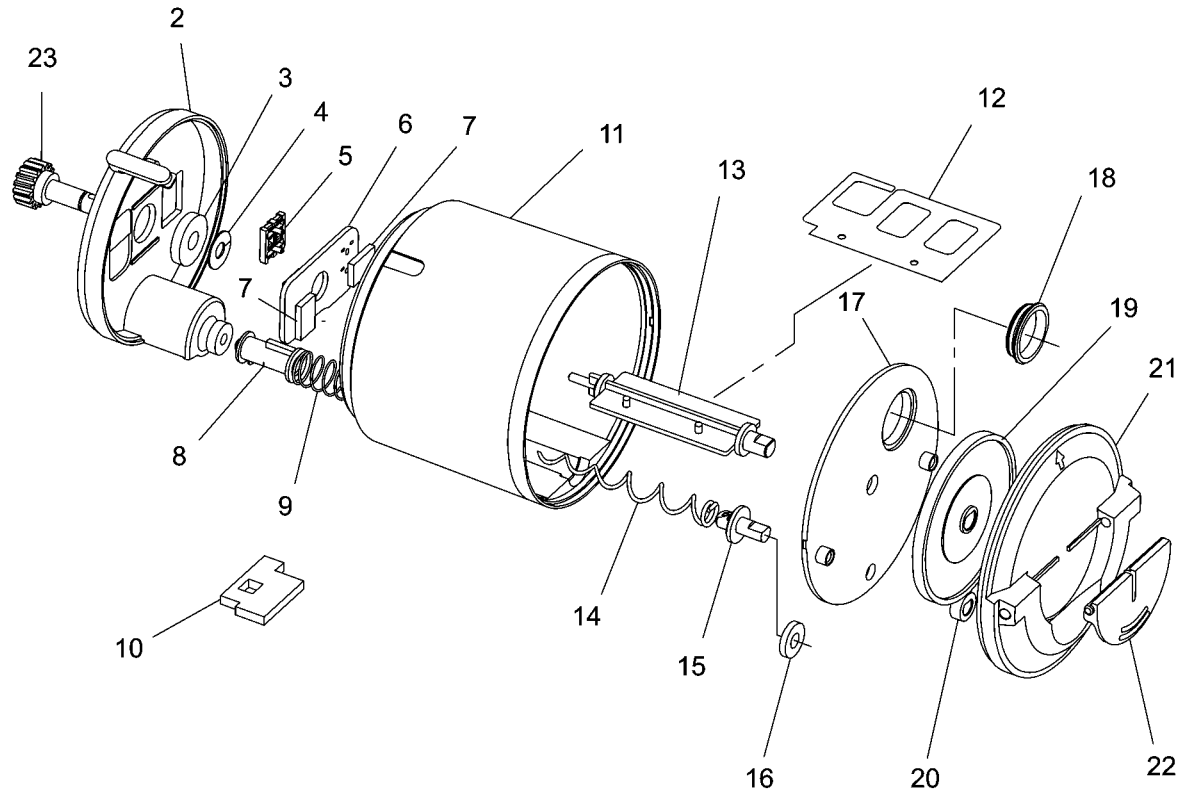
PL 8.3 Toner Tank (C, M, Y)

Item	Part	Description
1	–	Toner Tank (C, M, Y) (Not Spared)
2	–	Bottle Cap (P/O Item 1)
3	–	Space (P/O Item 1)
4	–	Plain Washer (P/O Item 1)
5	–	Sub-Crum PWB (P/O Item 1)
6	–	PCB Sub-Toner (P/O Item 1)
7	–	Sponge (P/O Item 1)
8	–	Toner Bottle Shutter (P/O Item 1)
9	–	Return Spring (P/O Item 1)
10	–	Spacer (Not Spared)
11	–	Toner Bottle Tank (P/O Item 1)
12	–	Agitator (P/O Item 1)
13	–	Auger Shaft (P/O Item 1)
14	–	Auger Spring (P/O Item 1)
15	–	Spring Shaft (P/O Item 1)
16	–	Washer (P/O Item 1)
17	–	Inner Cover (P/O Item 1)
18	–	Toner Cap (P/O Item 1)
19	–	Auger Gear (B) (P/O Item 1)
20	–	Auger Gear (Z15) (P/O Item 1)
21	–	Toner Bottle Cap (P/O Item 1)
22	–	Toner Bottle Handle (P/O Item 1)
23	–	Agitator Bottle Gear (P/O Item 1)



PL 8.4 Toner Tank (K)

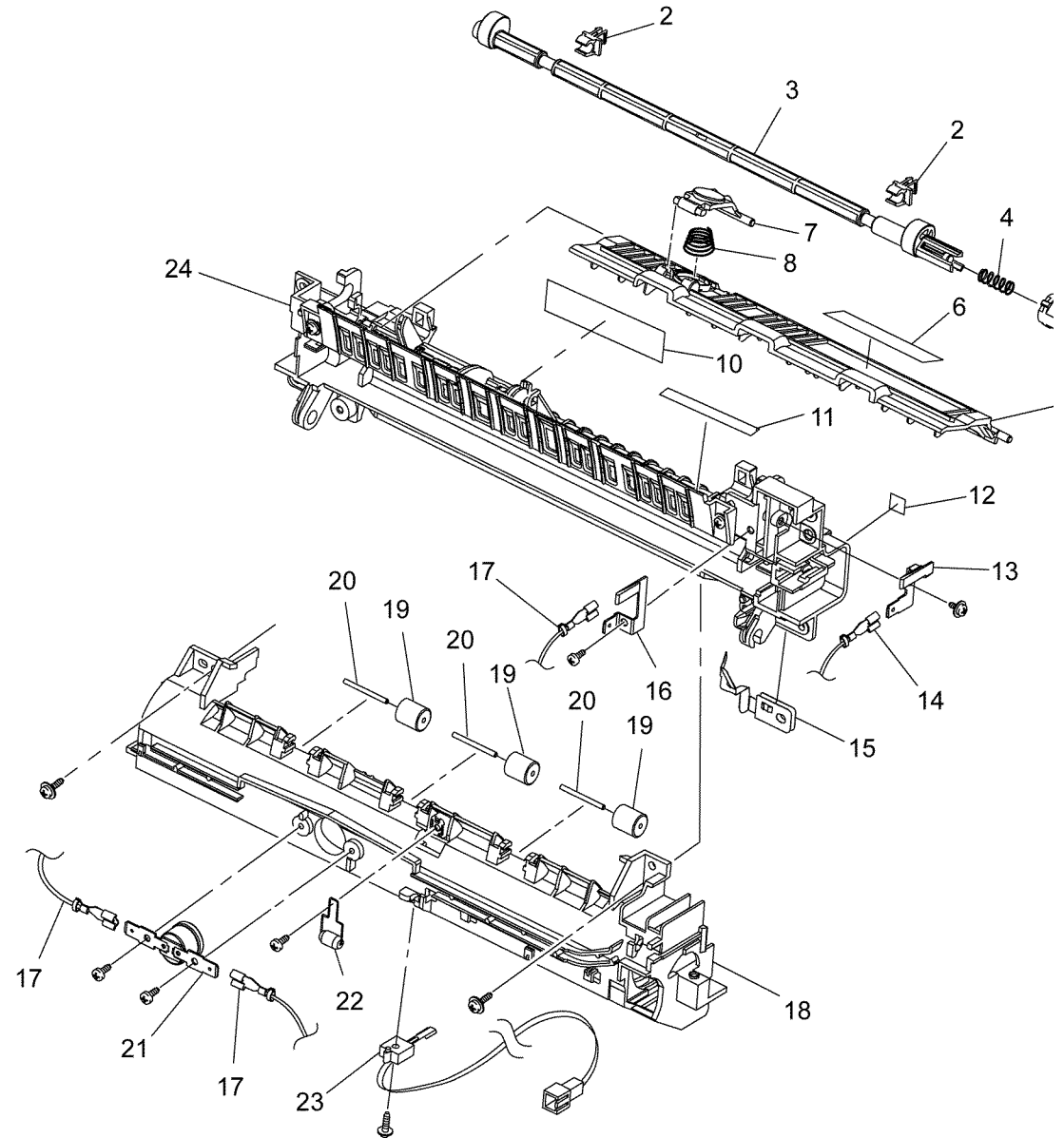
Item	Part	Description
1	-	Toner Tank (K) (Not Spared)
2	-	Bottle Cap (P/O Item 1)
3	-	Space (P/O Item 1)
4	-	Plain Washer (P/O Item 1)
5	-	Holder (P/O Item 1)
6	-	PCB Sub-Toner (P/O Item 1)
7	-	Sponge (P/O Item 1)
8	-	Toner Bottle Shutter (P/O Item 1)
9	-	Return Spring (P/O Item 1)
10	-	Spacer (P/O Item 1)
11	-	Toner Bottle Tank (P/O Item 1)
12	-	Agitator (P/O Item 1)
13	-	Spring Shaft (P/O Item 1)
14	-	Auger Spring (P/O Item 1)
15	-	Auger Shaft (P/O Item 1)
16	-	Washer (P/O Item 1)
17	-	Inner Cover (P/O Item 1)
18	-	Toner Cap (P/O Item 1)
19	-	Auger Gear (A) (P/O Item 1)
20	-	Auger Gear (Z15) (P/O Item 1)
21	-	Toner Bottle Cap (P/O Item 1)
22	-	Toner Bottle Handle (P/O Item 1)
23	-	Agitator Bottle Gear (P/O Item 1)



0508004A-KRY

PL 9.1 Fuser Assembly (1 of 2)

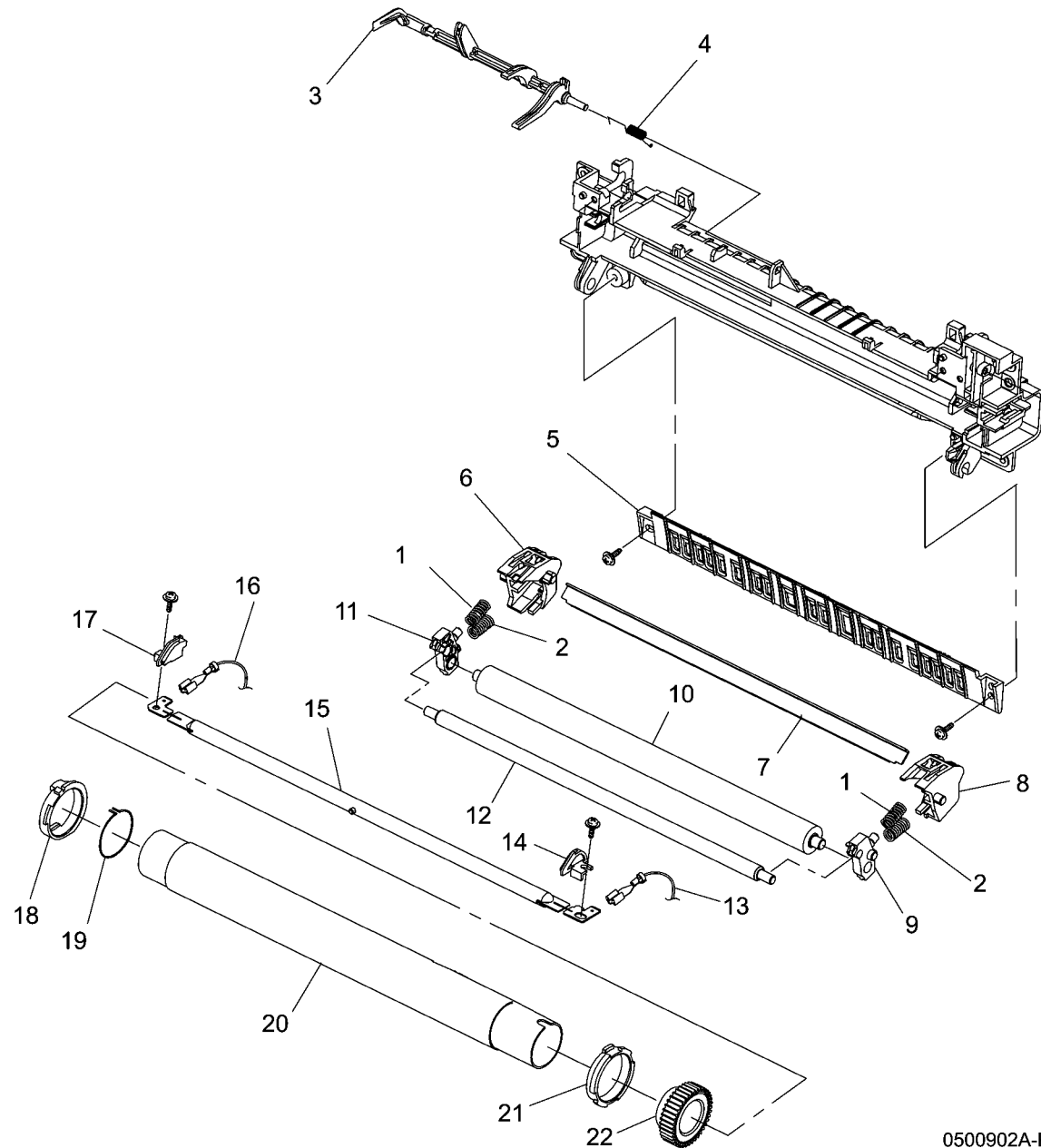
Item	Part	Description
1	126N00269	Fuser Assembly (220V) (REP 5.1)
—	126N00276	Fuser Assembly (110V) (REP 5.1)
2	—	Bushing (P/O Item 1)
3	—	Fuser Cam Shaft (P/O Item 1)
4	—	Spring (P/O Item 1)
5	—	Fuser Shaft Holder (P/O Item 1)
6	—	Label (P/O Item 1)
7	—	Rocker Assembly (P/O Item 1)
8	—	Spring (P/O Item 1)
9	—	Upper Fuser Baffle (P/O Item 1)
10	—	Label (P/O Item 1)
11	—	Label (P/O Item 1)
12	—	Pad (P/O Item 1)
13	—	Right AC Electrode (P/O Item 1)
14	—	Fuser Harness (P/O Item 1)
15	—	Fuser Ground Plate (P/O Item 1)
16	—	Left AC Electrode (P/O Item 1)
17	—	Fuser Link1 Harness (P/O Item 1)
18	—	Upper Fuser Frame (P/O Item 1)
19	—	Exit Roller (P/O Item 1)
20	—	Exit Roller Pin (P/O Item 1)
21	130N01491	Thermostat
22	—	Dummy Roll Assembly (P/O Item 1)
23	130N01492	Thermistor Assembly (REP 5.2)
24	—	Lower Fuser Frame (P/O Item 1)



050090

PL 9.2 Fuser Assembly (2 of 2)

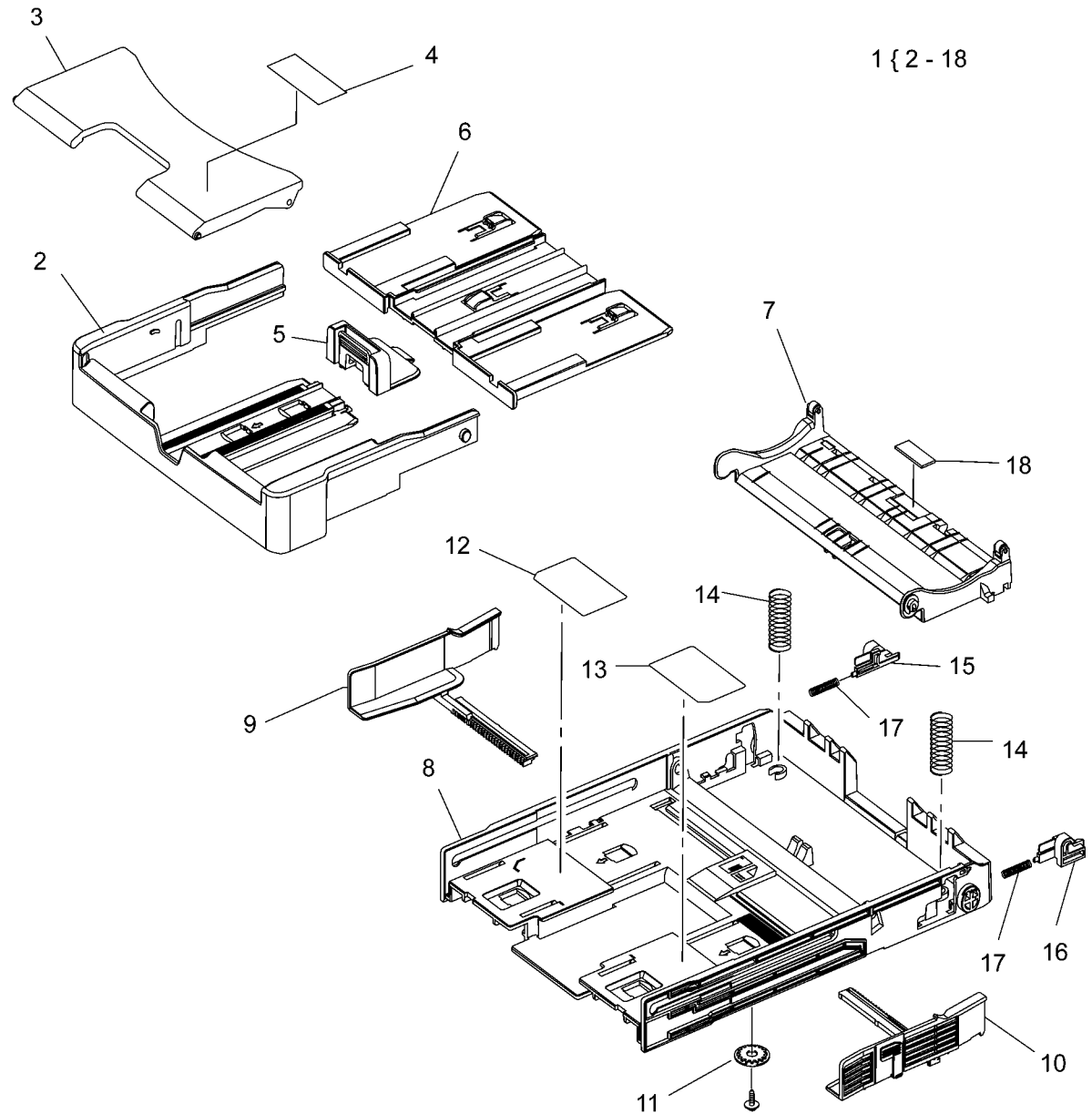
Item	Part	Description
1	-	Spring (P/O PL9.1 Item 1)
2	-	Spring (P/O PL9.1 Item 1)
3	-	Exit Actuator Lever (P/O PL9.1 Item 1)
4	-	Actuator Spring (P/O PL9.1 Item 1)
5	-	Fuser Input Guide (P/O PL9.1 Item 1)
6	-	Left Bushing Holder (P/O PL9.1 Item 1)
7	-	Guide (P/O PL9.1 Item 1)
8	-	Right Bushing Holder (P/O PL9.1 Item 1)
9	-	Right Bushing (P/O PL9.1 Item 1)
10	022N02301	Pressure Roller (REP 5.2)
11	-	Left Bushing (P/O PL9.1 Item 1)
12	-	Pressure Roll Shaft (P/O PL9.1 Item 1)
13	-	Fuse Link2 Harness (P/O PL9.1 Item 1)
14	-	Fuser Link Lever (P/O PL9.1 Item 1)
15	122N00264	Halogen Lamp (220V) (REP 5.2)
-	122N00271	Halogen Lamp (110V) (REP 5.2)
16	-	Fuse Link1 Harness (P/O PL9.1 Item 1)
17	-	Release Lever (P/O PL9.1 Item 1)
18	-	Bearing (P/O PL9.1 Item 1)
19	-	Ground Spring (P/O PL9.1 Item 1)
20	022N02300	Heat Roller (REP 5.2)
21	-	Bearing (P/O PL9.1 Item 1)
22	-	Fuser Gear (P/O PL9.1 Item 1)



0500902A-KRY

PL 10.1 Cassette Unit

Item	Part	Description
1	050N00506	Cassette Assembly
2	-	Extension Small Tray (P/O Item 1)
3	-	Cassette Cover (P/O Item 1)
4	-	Warning Label
5	-	Rear Paper Stopper (P/O Item 1)
6	-	Cassette Exit Tray (P/O Item 1)
7	-	Knock Up Plate (P/O Item 1)
8	-	Semi Cassette Frame (P/O Item 1)
9	-	Cassette Right Adjuster (P/O Item 1)
10	-	Cassette Left Adjuster (P/O Item 1)
11	-	Pinion Gear (P/O Item 1)
12	-	Instruction Label (P/O Item 1)
13	-	Instruction Label (P/O Item 1)
14	-	Spring (P/O Item 1)
15	-	Left Locker (P/O Item 1)
16	-	Right Locker (P/O Item 1)
17	-	Plate Locker Spring (P/O Item 1)
18	-	Label (P/O Item 1)



1 { 2 - 18

0510001A-KRY

Part Number Index

Table 1 Part Number Index

Part Number	Part List
002N02630	PL 2.3
002N02634	PL 1.1
002N02702	PL 2.1
002N02703	PL 2.1
002N02704	PL 2.2
002N02705	PL 2.1
002N02706	PL 3.2
002N02707	PL 3.1
002N02709	PL 3.1
003N01029	PL 3.1
007N01549	PL 3.1
007N01552	PL 3.1
007N01563	PL 5.1
022N02299	PL 2.4
022N02300	PL 9.2
022N02301	PL 9.2
023N01169	PL 7.1
050N00506	PL 10.1
095N00274	PL 3.1
105N02136	PL 1.1
105N02139	PL 1.1
105N02140	PL 1.1
109N00686	PL 3.1
109N00687	PL 3.1
116N00251	PL 1.1
120N00503	PL 4.1
122N00263	PL 6.1
122N00264	PL 9.2
122N00271	PL 9.2
126N00269	PL 9.1
126N00276	PL 9.1
127N07529	PL 2.2
127N07555	PL 3.1
130N01274	PL 2.2
130N01409	PL 4.2
130N01491	PL 9.1
130N01492	PL 9.1
130N01501	PL 4.3
130N01530	PL 3.1

Table 1 Part Number Index

Part Number	Part List
140N63106	PL 2.2
140N63284	PL 1.1
140N63284	PL 2.2
140N63285	PL 3.2
152N11747	PL 3.1
152N11748	PL 3.2