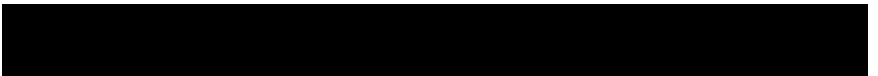


Parts Lists

In this chapter...

- Serial Number Format
- Using the Parts List
- Print Engine Parts
- Options
- Xerox Supplies and Accessories

Chapter 9



Serial Number Format

Changes to Xerox products are made to accommodate improved components as they become available. It is important when ordering parts to include the following information:

- Component's part number
- Product type or model number
- Serial number of the printer

The serial number is found on a label located on the frame of the printer just inside the Tray 2 opening. Tray 2 must be removed to see it.

The nine-digit serial number has the following format:

PPP-SSSSSS

PPP = product code, as shown in the following table.

Product Code	Product	Configuration
PMT	4500/B	Phaser 4500, 110 V, Base
PMT	4500/N	Phaser 4500, 110V, Network
PMU	4500V/B	Phaser 4500, 220V, Base
PMU	4500V/N	Phaser 4500, 220V, Network

SSSSSS = Numeric serial number.

For example, a printer having **PMT219638** as its Serial Number:

- Is a 110 V Phaser 4500 Printer
- Has a 219638 serial number

Using the Parts List

- **No.:** The callout number from the exploded part diagram.
- **Name/Description:** The name of the part to be ordered and the number of parts supplied per order.
- **Part Number:** The material part number used to order that specific part.
- Parts identified throughout this manual are referenced **PL#.#.#**. For example, PL3.1.10 means the part is item 10 of Parts List 3.1.
- A black triangle preceding a number followed by a parenthetical statement in an illustrated parts list means the item is a parent assembly, made up of the individual parts called out in parentheses.
- The notation “**with X~Y**” following a part name indicates an assembly that is made up of components X through Y. For example, “1 (with 2~4)” means part 1 consists of part 2, part 3, and part 4.
- An asterisk (*) following a part name indicates the page contains a note about this part.
- The notation (NS) next to a part indicates that particular part is not spared, but contained in a kit or major assembly.
- The notation “**J1<>J2 and P2**” is attached to a wire harness. It indicates that connector Jack 1 is attached to one end of the wire harness and connector J2 is attached to the other end that is plugged into P2.

Note

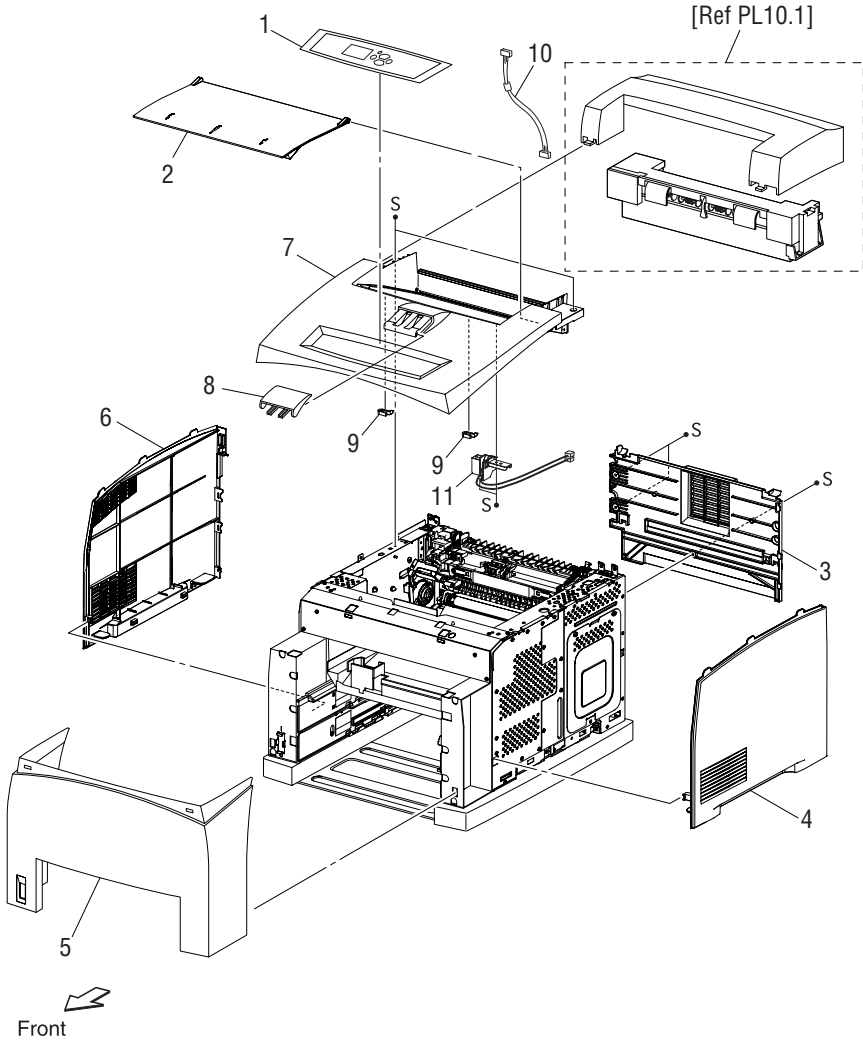
Only parts showing part numbers are available for ordering by support. Parts not showing part numbers are available on the parent assembly.

Abbreviations

Abbreviation	Meaning
C	C-ring
E	E-ring
KL	K-clip
S	Screw

Print Engine Parts

Parts List 1.1 Covers

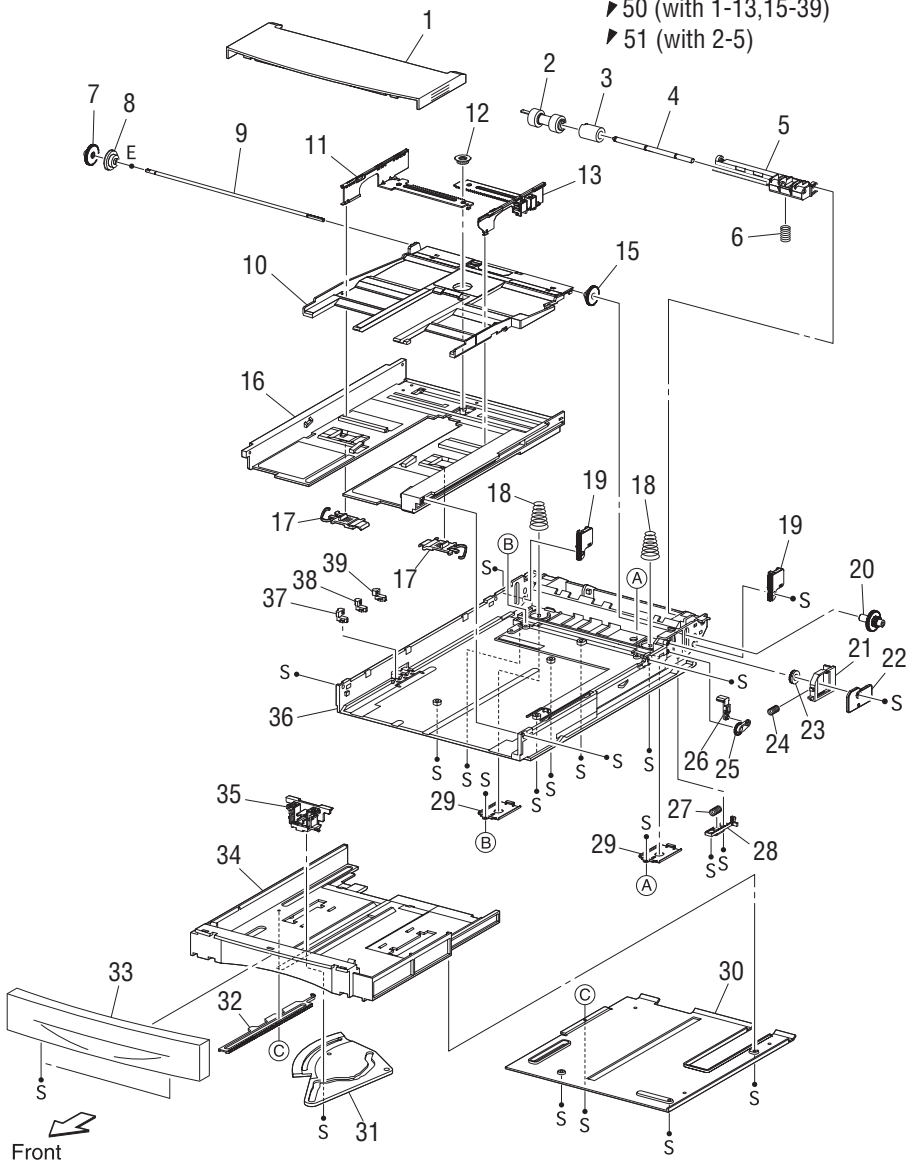


s4500-218
JG5014AA

FRU Parts List 1.1 Covers

No.	Name/Description	Part Number
1	OPERATION PANEL (Front Panel)	802K60111
2	COVER OPEN (Top Cover)	802E47284
3	COVER REAR	604K16460
4	COVER RIGHT	802E49522
5	COVER FRONT	802E63801
6	COVER LEFT	802E49491
7	COVER TOP ASSY	
8	COVER STOPPER	802E61862
9	STOPPER OPEN	
10	HARNESS ASSY PANEL	962K22731
11	SWITCH I/L ASSY (J144, J411)	110K11894
99	KIT TOP COVER (with 7, 9)	604K15381

Parts List 2.1 150-Sheet Paper Cassette



S4500-219
JG5002AA

FRU Parts List 2.1 150-Sheet Paper Cassette

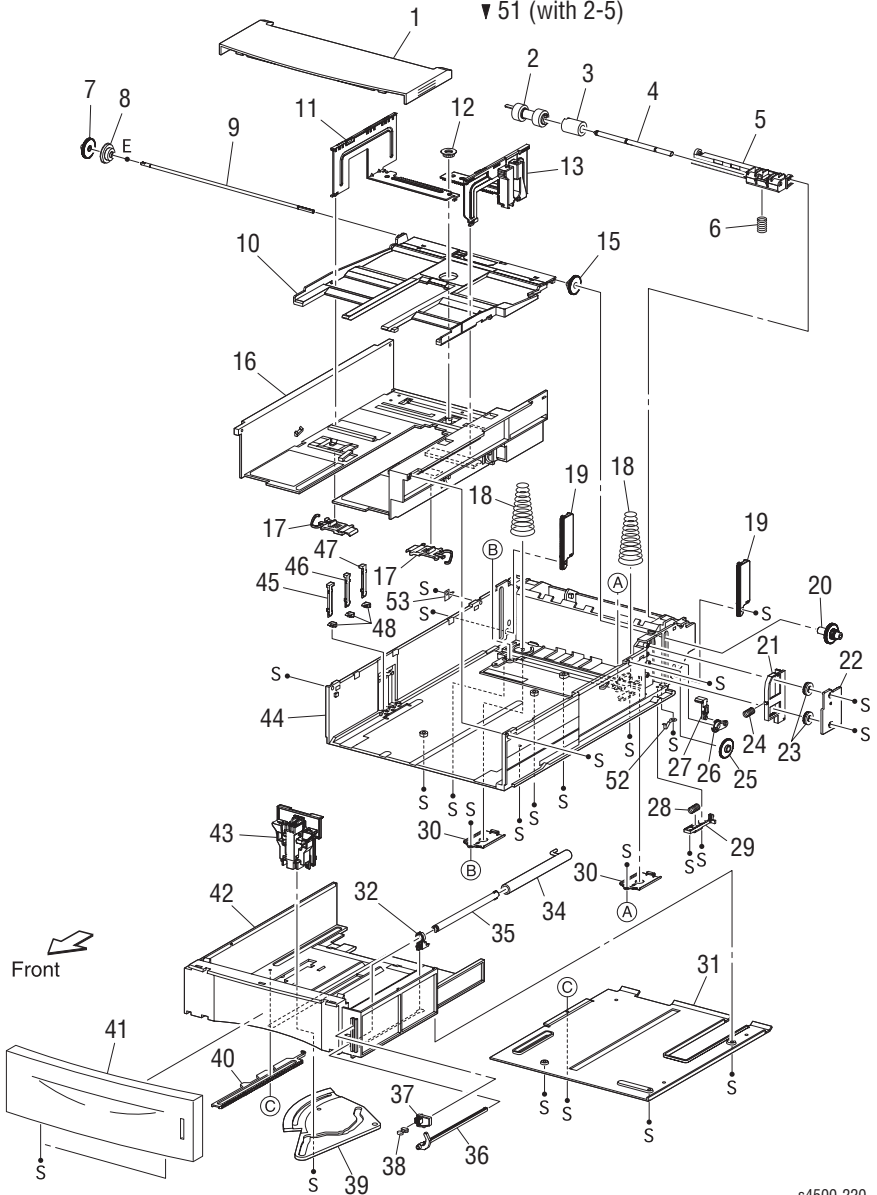
No.	Name/Description	Part Number
1	COVER CST	802E47191
2	ROLL ASSY RETARD (p/o Item 99)	
3	FRICTION CLUTCH	
4	SHAFT RETARD	
5	HOLDER RETARD	
6	SPRING RETARD	809E37500
7	GEAR PB L	
8	GEAR BTM ONEWAY	
9	SHAFT PB	
10	PLATE ASSY BTM (with 14)	
11	GUIDE ASSY SD L150	
12	GEAR PINION	
13	GUIDE ASSY SD R150	
15	GEAR LOCK ONEWAY	
16	HOUSING TOP 150	
17	LOCK EXTENSION	
18	SPRING BTM UP 150	
19	PLATE GEAR LOCK 150	
20	GEAR PB R	
21	RACK BTM LOCK 150	
22	COVER BTM UP 150	
23	GEAR BOTTOM LOCK PINION	
24	SPRING BTM LOCK	
25	GEAR LEVER LOCK	
26	LEVER BTM LOCK	
27	SPRING STOPPER GEAR	
28	STOPPER GEAR	
29	PLATE SUPPORT	
30	COVER EXTENSION	
31	GEAR SECTOR	
32	RACK SIZE	
33	HANDLE EXTENSION 150	

FRU Parts List 2.1 150-Sheet Paper Cassette (Continued)

No.	Name/Description	Part Number
34	HOUSING EXTENSION 150	
35	GUIDE END 150	
36	HOUSING BASE 150	
37	LINK SW SIZE1-150	
38	LINK SW SIZE2-150	
39	LINK SW SIZE3-150	
50	150 PAPER CASSETTE (with 1-13, 15-39)	084K15350
51	HOLDER ASSY RETARD (with 2-5)	019K98186
99	Roller Kit (Item 2, Qty. 3)	604K11192

Parts List 4.1 550-Sheet Paper Cassette

▼ 50 (with 1-13,15-32,34-48,52,53)
 ▼ 51 (with 2-5)



s4500-220
 JG5004AB

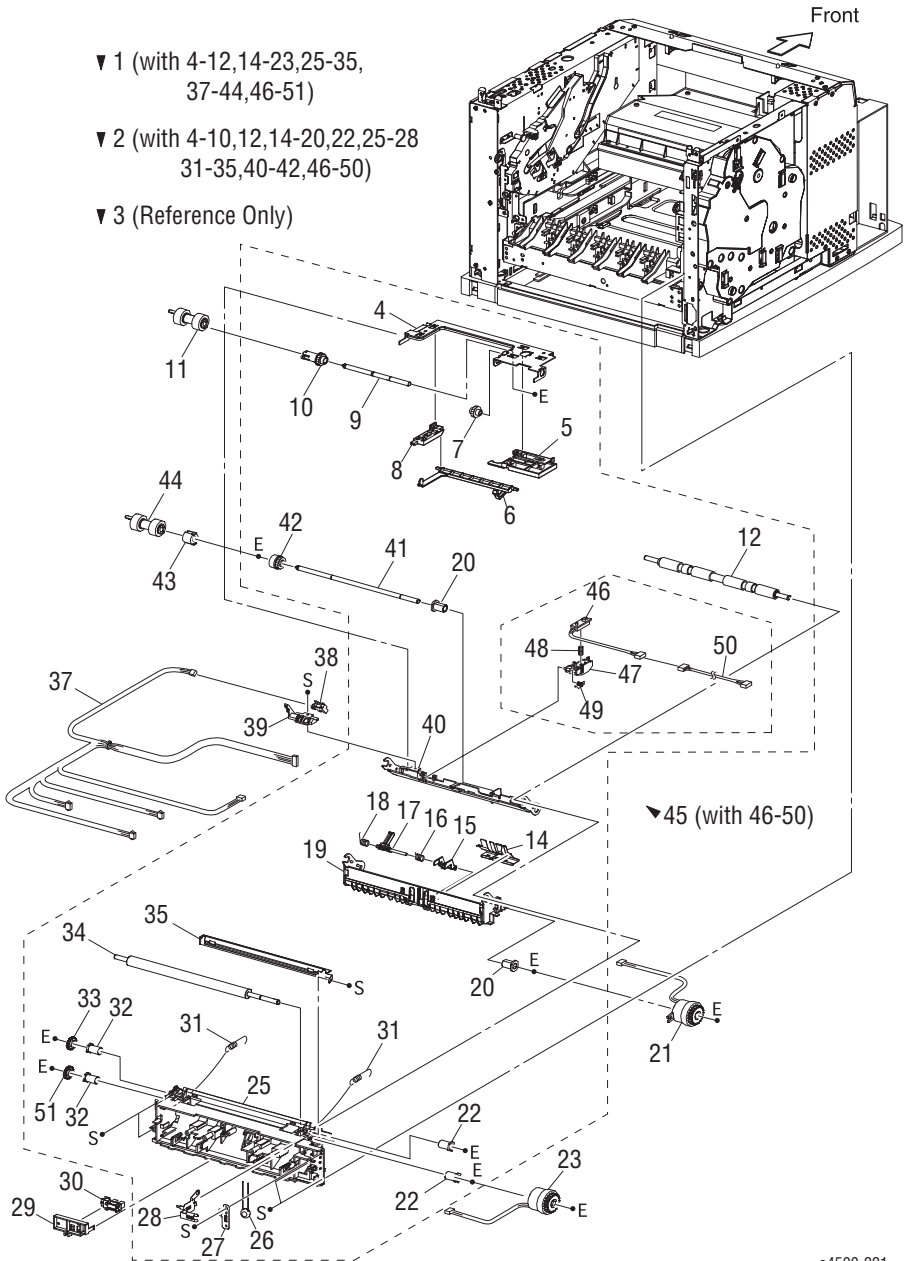
FRU Parts List 4.1 550-Sheet Paper Cassette

No.	Name/Description	Part Number
1	COVER CST	802E47191
2	ROLL ASSY RETARD (p/o Item 99)	
3	FRICTION CLUTCH	
4	SHAFT RETARD	
5	HOLDER RETARD	
6	SPRING RETARD	809E37500
7	GEAR PB L	
8	GEAR BTM ONEWAY	
9	SHAFT PB	
10	PLATE ASSY BTM	
11	GUIDE ASSY SD L550	
12	GEAR PINION	
13	GUIDE ASSY SD R550	
15	GEAR LOCK ONEWAY	
16	HOUSING TOP 550	
17	LOCK EXTENSION	
18	SPRING BTM UP 550	
19	PLATE GEAR LOCK 550	
20	GEAR PB R	
21	RACK BTM LOCK 550	
22	COVER BTM UP 550	
23	GEAR LOCK PINION	
24	SPRING BTM LOCK	
25	GEAR BTM LOCK	
26	GEAR LEVER LOCK	
27	LEVER BTM LOCK	
28	SPRING STOPPER GEAR	
29	STOPPER GEAR	
30	PLATE SUPPORT	
31	COVER EXTENSION	
32	SUPPORT GUIDE IND	
34	GUIDE INDICATOR 1	

FRU Parts List 4.1 550-Sheet Paper Cassette (Continued)

No.	Name/Description	Part Number
35	GUIDE INDICATOR 2	
36	GUIDE INDICATOR 3	
37	LOW INDICATOR	
38	LOW IND FRONT	
39	GEAR SECTOR	
40	RACK SIZE	
41	HANDLE EXTENSION 550	
42	HOUSING EXTENSION 550	
43	GUIDE END 550	
44	HOUSING BASE 550	
45	LINK SW SIZE1-550	
46	LINK SW SIZE2-550	
47	LINK SW SIZE3-550	
48	LINK SW SIZE LOW	
50	550 PAPER CASSETTE (with 1-13, 15-32, 34-48, 51-53)	084K15411
51	HOLDER ASSY RETARD (with 2-5)	019K98186
52	STOPPER BASE R	
53	STOPPER BASE L	
99	Roller Kit (Item 2, Qty. 3)	604K11192

Parts List 5.1 150-Sheet Paper Feeder



s4500-221
JG5019AA

FRU Parts List 5.1 150-Sheet Paper Feeder

No.	Name/Description	Part Number
1	150 FEEDER ASSY (with 4-12, 14-23, 25-35, 37-44, 46-51)	604K16682
2	FDR1 AS SUB 150 A4 (with 4-10, 12, 14-20, 22, 25-28, 31-35, 40-42, 46-50)	
3	CHUTE ASSY FDR 1 (Reference Only) (with 4-10,14-20,40-42)	
4	SUPPORT NUDGER	
5	HOLDER LEFT	
6	ACTUATOR NO PAPER	
7	GEAR IDLER NUDGER	
8	HOLDER RIGHT	
9	SHAFT NUDGER	
10	GEAR NUDGER	059K25270
11	ROLL ASSY NUDGER (part of item 97)	
12	ROLL REGI RUBBER	
14	COVER ACTUATOR	
15	ACTUATOR A (part of Registration Actuator)	
16	SPRING REGI SNR B	
17	ACTUATOR B (part of Registration Actuator)	
18	SPRING REGI SNR A	
19	CHUTE BTM ASSY	
20	BEARING NUDGER	
21	CLUTCH ASSY PH (J242) (Feed Clutch Assembly)	121K28511
22	BEARING REGI LEFT	
23	CLUTCH REGI (J243)	121K28511
25	CHUTE REGI	
26	VARISTER	
27	EARTH PLATE BASE	
28	EARTH PLATE MID	
29	COVER SENSOR	
30	SENSOR REGI (J241)	130E81970
31	SPRING REGI	809E41093
32	BEARING REGI RIGHT	
33	GEAR REGI	807E01290

FRU Parts List 5.1 150-Sheet Paper Feeder (Continued)

No.	Name/Description	Part Number
34	ROLL REGI METAL	
35	CHUTE EARTH REGI	
37	HARNES ASSY TRAY1 (J245-J240,J241 ,J242,J243,J244)	
38	SENSOR NO PAPER (P240)	130E81970
39	COVER HARNES R	
40	CHUTE TOP ASSY	
41	SHAFT FEED	
42	CLUTCH ONEWAY NUDGER	
43	CLUTCH ONEWAY FEED	005E16941
44	ROLL ASSY FEED (part of item 97)	
45	SENSOR TONER ASSEMBLY (with 46-50)	130K63601
46	SENSOR TONER (J220)	
47	HOLDER-D (part of item 46)	
48	SPRING TONER (part of item 46)	
49	SPRING (part of item 46)	
50	HARNES ASSY TONER 1 (J220-P221)	
51	GEAR REGI METAL (WHITE)	
97	Roller Kit (with 11 or 44, Qty. 3)	604K11192
98	KIT CHUTE REGI (with 25-28)	
99	KIT CHUTE BTM (with 14-19)	

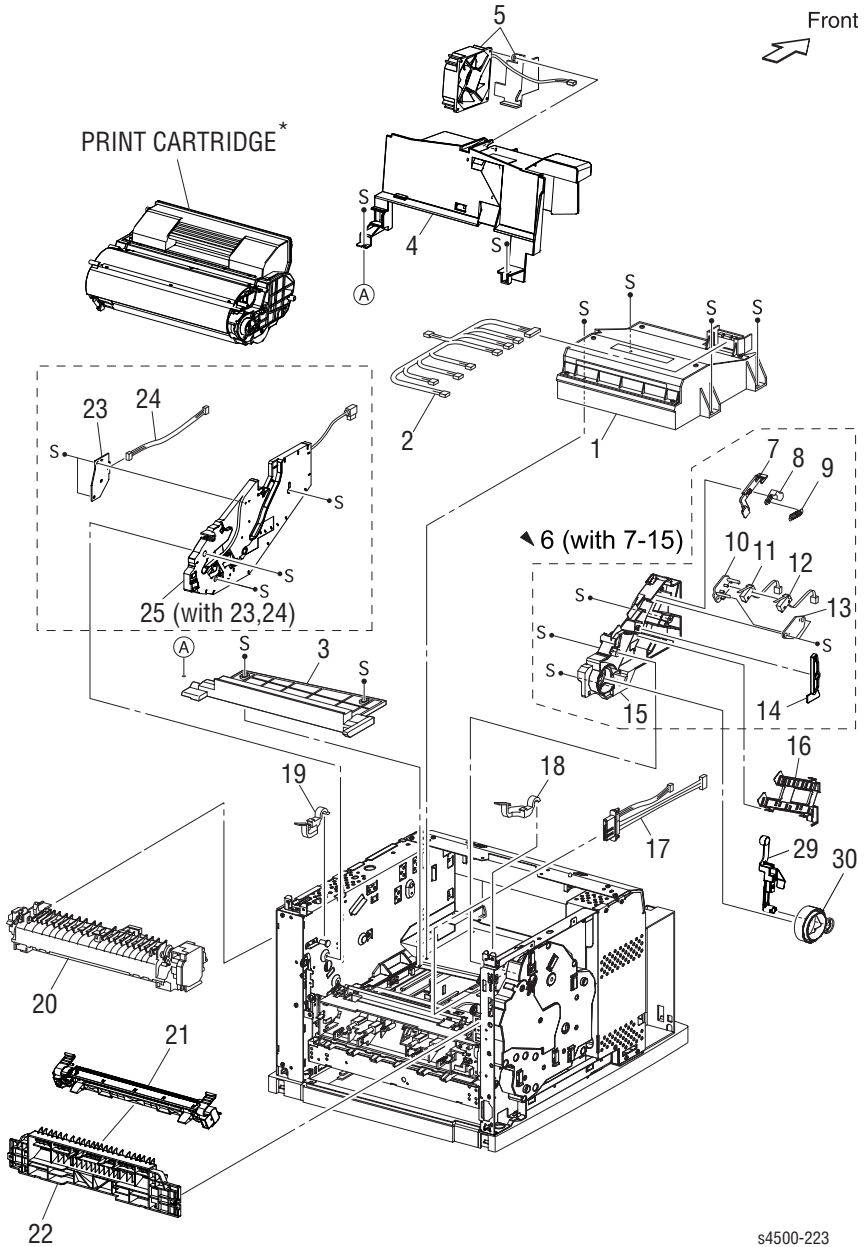
FRU Parts List 7.1 550-Sheet Paper Feeder

No.	Name/Description	Part Number
1	—	
2	HARNES ASSY LOW1 (J26-P260)	
3	GUIDE TRAY RIGHT	032E18795
4	SENSOR LOW PAPER (J260)	130E81970
5	ACTUATOR	120E21311
6	PLATE CST LOCK	
7	GUIDE TRAY LEFT (with 8,9)	032K96836
8	COVER HARNES SIZE	
9	LOCK CST L	003E59231
10	550 FEEDER ASSY (with 12-20, 22-31, 33-39)	022K66964
12	SUPPORT NUDGER	
13	HOLDER LEFT	
14	ACTUATOR NO PAPER	
15	GEAR IDLER NUDGER	
16	HOLDER RIGHT	
17	SHAFT NUDGER	
18	GEAR NUDGER	059K25270
19	ROLL ASSY NUDGER (part of item 99)	
20	CLUTCH ASSY PH (J247)	121K28511
22	BEARING NUDGER	
23	COVER ACTUATOR	
24	CHUTE BTM	
25	CHUTE TOP ASSY	
26	SHAFT FEED	
27	CLUTCH ONEWAY NUDGER	005E16951
28	CLUTCH ONEWAY FEED	005E16941
29	ROLL ASSY FEED (Part of item 99)	
30	HOLDER PIVOT LEFT	
31	EARTH PLATE	
32	CHUTE 550 LOWER	
33	CHUTE OUT	
34	HOLDER PIVOT RIGHT	

FRU Parts List 7.1 550-Sheet Paper Feeder (Continued)

No.	Name/Description	Part Number
35	PLATE TIE	
36	HARNESS ASSY TRAY2 (J248-J246, P247)	
37	COVER HARNESS R	
38	SENSOR NO PAPER (P246)	130E81970*
39	CLAMP-10V0	
40	STOPPER TRAY R	
41	STOPPER TRAY L	
99	FEED ROLLER KIT (with 19 or 29, qty. 3)	604K11192

Parts List 8.1 Xerographics

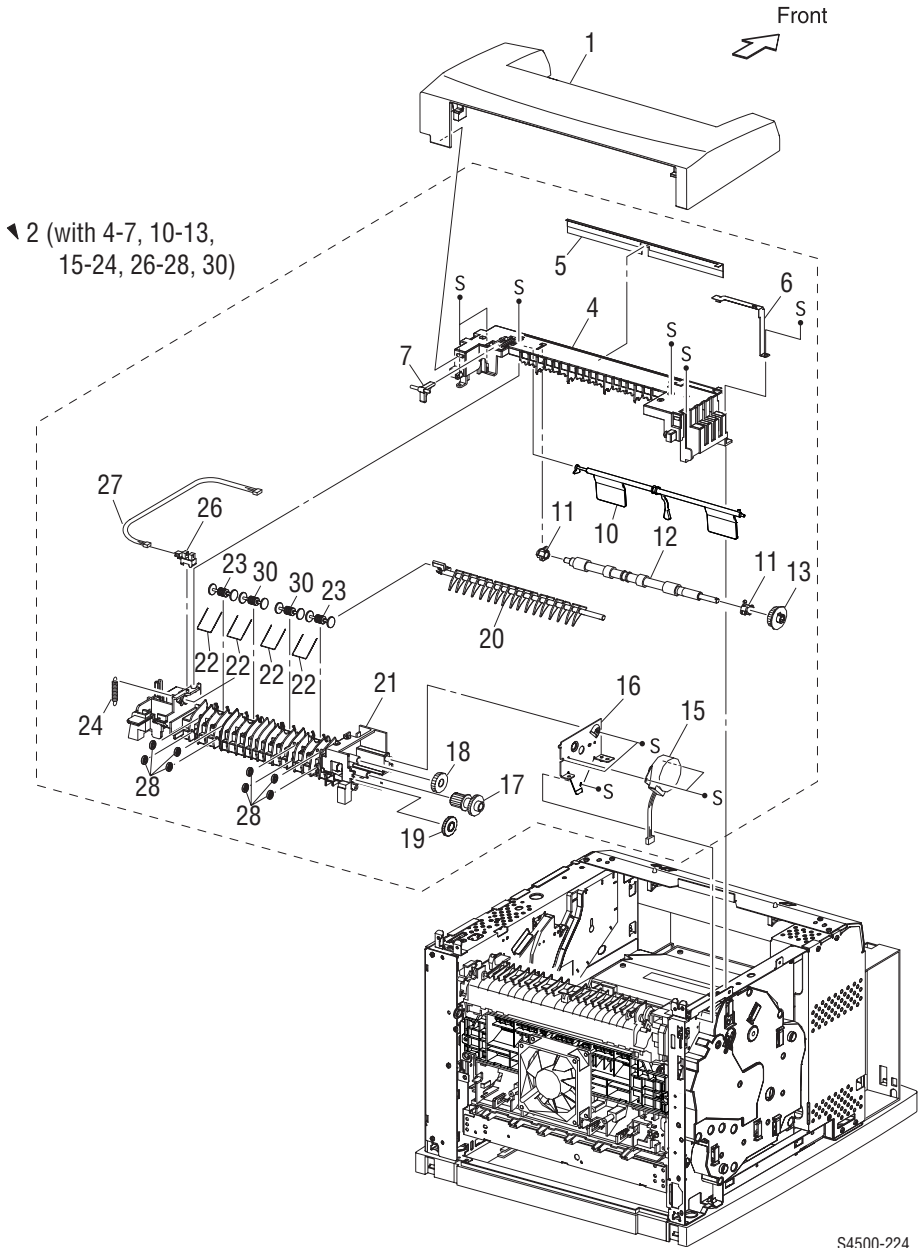


s4500-223
JG5016AB

FRU Parts List 8.1 Xerographics

No.	Name/Description	Part Number
1	ROS ASSY (Laser Unit) (J131,J140,J160,J170)	084K13151
2	HARNESS ASSY ROS (J13, J14, J16, J17-P131, P140, P141, P160, P170)	
3	SHIELD PLATE ROS	
4	DUCT FRONT	
5	FAN SUB (J270)	127K39390
6	GUIDE ASSY CRU L (with 7-15)	032K97110
7	GUIDE SL (part of item 6)	
8	SPACER SS (part of item 6)	
9	SPRING SL (part of item 6)	
10	HOLDER I/L SW1 (part of item 6)	
11	INTERLOCK S/W 24 V (J45) (part of item 6)	
12	INTERLOCK S/W 5 V (part of item 6)	
13	HOLDER I/L SW2 (part of item 6)	
14	LEVER GUIDE (Guide Lever) (part of item 6)	
15	GUIDE CRU LEFT (part of item 6)	
16	COVER GUIDE CRU	
17	HARNESS ASSY FUSER 110V (J4647-J46, J47)	962K08241
	HARNESS ASSY FUSER 220V (J4647-J46, J47)	962K12941
18	LEVER FUSER LH	011E13362
19	LEVER FUSER RH	011E13373
20	FUSER ASSY 110V	604K14921
	FUSER ASSY 220V	604K14931
21	BTR ASSY (Transfer Roller Assembly)	802K49746
22	CHUTE TRANSFER	054E26070
23	PWBA ASSY ANT (P150) (part of item 25)	
24	HARNESS ASSY ANT (J15-J150) (part of item 25)	
25	GUIDE ASSY CRU R (J31) (with 23, 24)	032K97011
29	LEVER LINK	012K94351
30	LINK GEAR 3	012E10561

Parts List 10.1 Paper Exit (1/2)

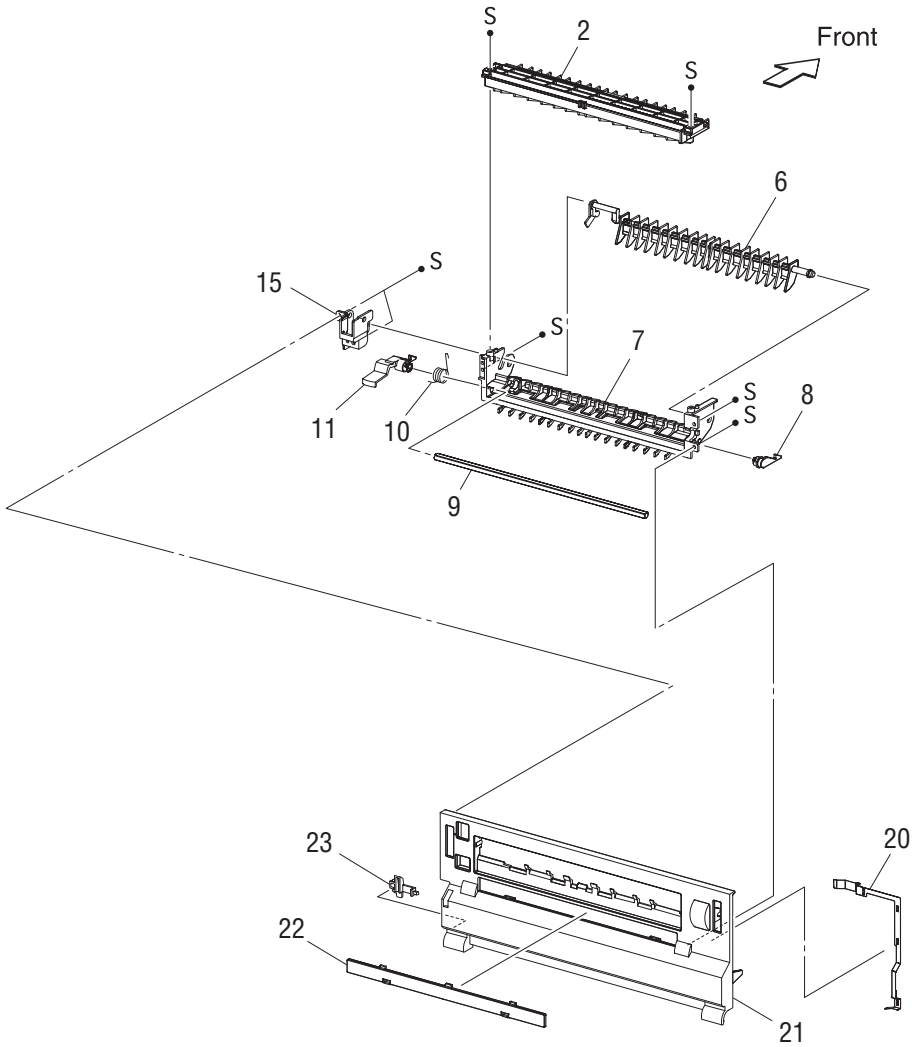


S4500-224
JG5017AB

FRU Parts List 10.1 Paper Exit (1/2)

No.	Name/Description	Part Number
1	COVER EXIT 500	604K16590
2	500 EXIT ASSY (with 4-7, 10-13, 15-24, 26-28, 30)	084K18470
4	CHUTE UP EXIT	
5	ELIMINATOR EXIT	
6	EARTH PLATE EXIT	
7	LINK GATE OCT (Stacker Gate Link)	
10	ACTUATOR FULL STACK	604K15560
11	BEARING EXIT	
12	ROLL EXIT	
13	GEAR 21	
15	MOTOR ASSY EXIT (J103)	127K36930
16	BRACKET MOTOR EXIT	
17	GEAR 16/49	
18	GEAR 25-2	
19	GEAR 25-1	
20	GATE OCT EXIT (Stacker Exit Gate)	
21	CHUTE LOW EXIT	
22	SPRING PINCH EXIT	
23	ROLLER PINCH EXIT	
24	SPRING GATE OCT (Stacker Gate Spring)	
26	SENSOR FULL STACK (P290)	130E81970
27	HARNESS ASSY EXIT SNR (J29-J290)	
28	ROLLER EXIT 500	
30	ROLL PINCH EXIT OCT (Stacker Exit Pinch Roller)	

Parts List 10.2 Paper Exit (2/2)

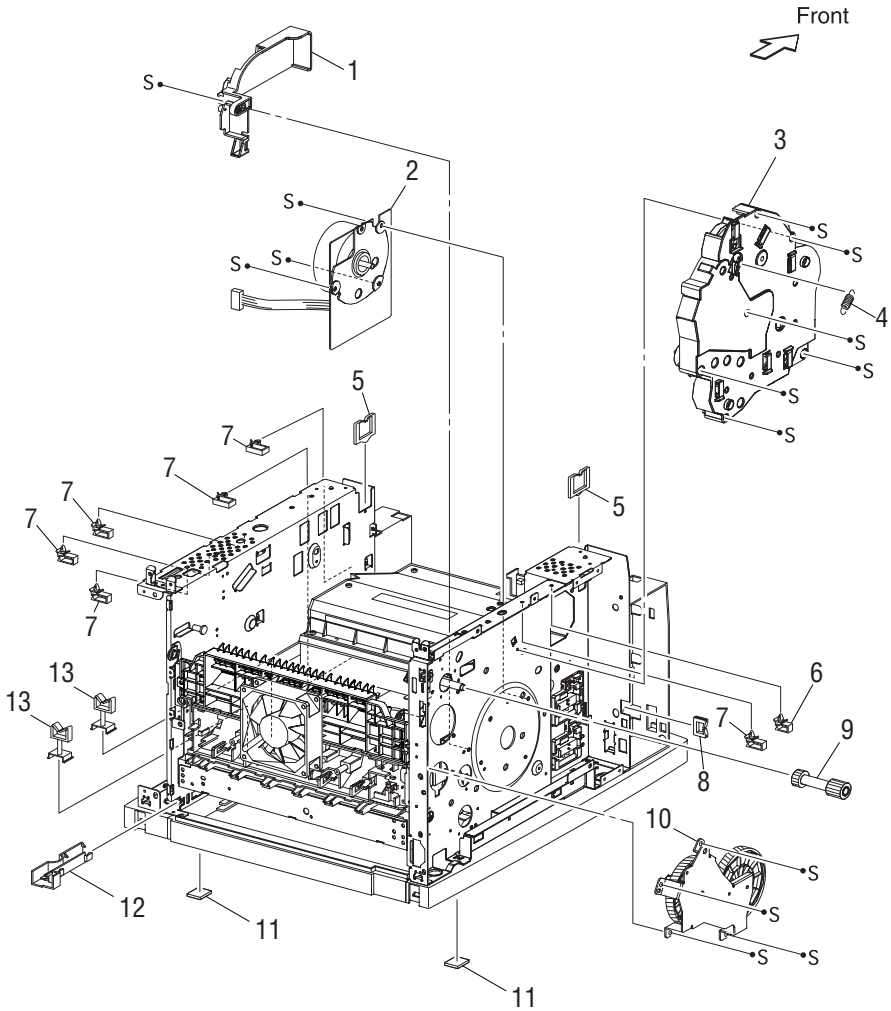


s4500-225
JG5702AB

FRU Parts List 10.2 Paper Exit (2/2)

No.	Name/Description	Part Number
2	CHUTE UP FU	
6	GATE FU	
7	CHUTE LOW FU	
8	LEVER LATCH LEFT	
9	PIPE LATCH LEFT	
10	SPRING LATCH FU	
11	LEVER LATCH RIGHT	
15	LEVER GATE HOLDER	
20	EARTH PLATE FU	
21	COVER REAR 500	
22	COVER DUP	802E48402
23	STOPPER FSR	
99	COVER REAR 500 (with 2-22)	084K18451

Parts List 11.1 Frame and Drive

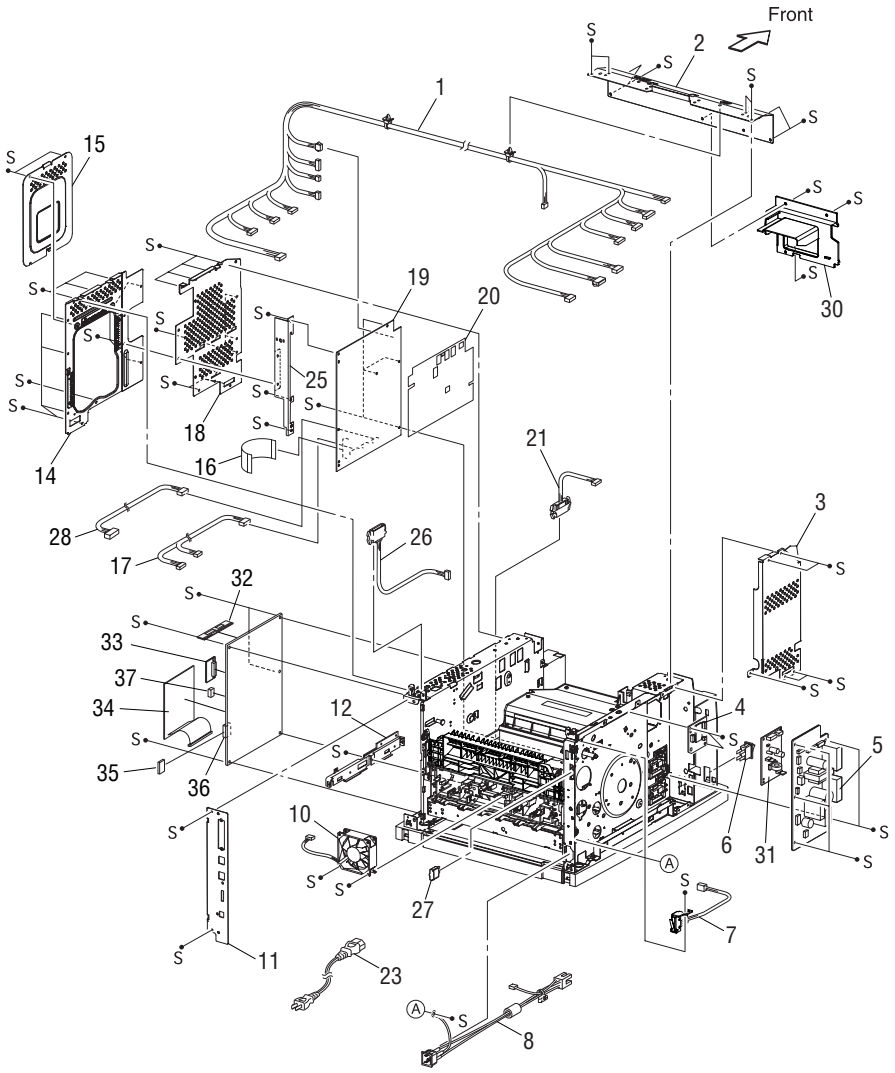


s4500-226
JG5020AA

PL11.1 Frame and Drive

No.	Name/Description	Part Number
1	MOTOR COVER	
2	MAIN MOTOR (J43)	127K36822
3	GEAR ASSY HOUSING (with 4)	604K16670
4	SPRING RELEASE (part of item 3)	
5	CLAMP EDGE	
6	CLAMP-5 V0	
7	CLAMP-10V0	
8	CLAMP-EDGE	
9	GEAR 9	807E02560
10	GEAR ASSY PLATE	007K87753
11	FOOT 550	
12	GUIDE HARNESS R	
13	CLAMP-RWSH	

Parts List 12.1 Electrical



s4500-227
JG5018AA

PL12.1 Electrical

No.	Name/Description	Part Number
1	HARNESS ASSY LVPS (J10, J11, J18, J27, CNPOW, J141-J42, J41, J1821, P270, J102, P2750, J40, P142, P144, J411, J400)	
2	PLATE TIE FRONT	
3	SHIELD PLATE LVPS	
4	PWBA EXIT MOTOR	160K91991
5	LVPS 110 V	105K20392
	LVPS 220 V	105K20401
6	POWER SWITCH	110K11570
7	INTERLOCK S/W REAR (J44)	110K11623
8A	HARNESS ASSY AC 110V (J48, J480)	
8B	HARNESS ASSY AC 220V (J48, J480)	
10	FAN MAIN (J244)	127E83610
11	PANEL REAR	
12	BRACKET HANDLE R	
13	I/P PWBA (ESS)	671-5321-80
14	SHIELD ASSY ESS	
15	SHIELD ASSY WINDOW	
16	FFC ASSY ESS (P28-CNVD)	962K13460
17	HARNESS ASSY CHUTE (J24-P245, P248)	
18	SHIELD PLATE HVPS	
19	HVPS/MCU 110 V	675K05541
	HVPS/MCU 220 V	675K05591
20	MYLAR HVPS	
21	HARNESS ASSY FDR1 (J20-P2083) (Feeder Harness 1)	
23	POWER CORD 110 V	675K04670
25	BRACKET SHIELD HVPS	
26	HARNESS ASSY OCT 1 (J30-P3070) (Stacker Harness 1)	
27	CAP CONNECTOR-DRAWER	
28	HARNESS ASSY TONER 2 (J22-P221)	
30	DUCT (Upper Duct)	054E23162
31	DC-DC Converter	105K20440

PL12.1 Electrical (Continued)

No.	Name/Description	Part Number
32	64 MB RAM DIMM	156-4838-00
	128 MB RAM DIMM	156-4837-00
	256 MB RAM DIMM	156-4663-00
33	FLASH DIMM	671-5325-0A
34	HARD DRIVE ASSY	650-4309-00
35	CONFIG CARD B TO N	163-1505-00
36	CONFIG CARD BASE	163-1513-00
37	NVRAM DEVICE	163-1459-00

Parts List 20.1 550-Sheet Paper Feeder (1/2)

No.	Name/Description	Part Number
1	COVER RIGHT PLATE	
2	COVER FRONT	
3	COVER LEFT PLATE	
4	EARTH PLATE	
5	HARNESS ASSY FDR2 (J83-JD2083) (Feeder Harness 2)	
6	SPRING EARTH TOP	
7	FRAME TOP ASSY	
8	DRIVE ASSY OPT FDR (with 9-17)	007K87654
9	BRACKET ASSY DRIVE	
10	GEAR OPT FDR2	
11	GEAR OPT FDR3	
12	GEAR OPT FDR4	
13	GEAR OPT FDR5	
14	GEAR OPT FDR6	
15	PLATE FEEDER DRIVE	
16	CLAMP-5 V0	
17	MOTOR FEEDER (J820)	
18	OPT ASSY SIZE (J802) (Paper Size Switch Assembly)	110K11634
19	HARNESS ASSY SIZE FDR1 (P802-J801)	
20	PLATE EARTH 550	
21	FRAME CVR L550	
22	FOOT	
23	FRAME BASE FRONT	
25	COVER RE550	
26	HARNESS ASSY FDR5 (J84-PD8483) (Feeder Harness 5)	
27	PLATE CST LOCK	
28	FRAME CVR R550	
29	HLD LOW PAPER ASSY (P810) (with 30-33)	019K98503
30	SENSOR LOW PAPER (P810)	
31	ACTUATOR LOW PAPER	
32	HOLDER LOW PAPER	
33	HARNESS LOW PAPER (J81-J810)	

Parts List 20.1 550-Sheet Paper Feeder (1/2) (Continued)

No.	Name/Description	Part Number
34	PWBA FEEDER 550	160K86723
35	HARNESS ASSY SIZE FDR2 (J80-J801)	
36	HARNESS ASSY CLSNR2 (J85-P855)	
37	HARNESS ASSY FDR MOT (J82-P820)	
38	JOINT FEEDER	113E36900
39	LOCK CST L	003E59231
40	HARNESS ASSYSIZE FDR3 (J802-J800)	
41	STOPPER TRAY L	
42	STOPPER TRAY R	
99	550 DECK ASSY (ENTIRE)	084K13412

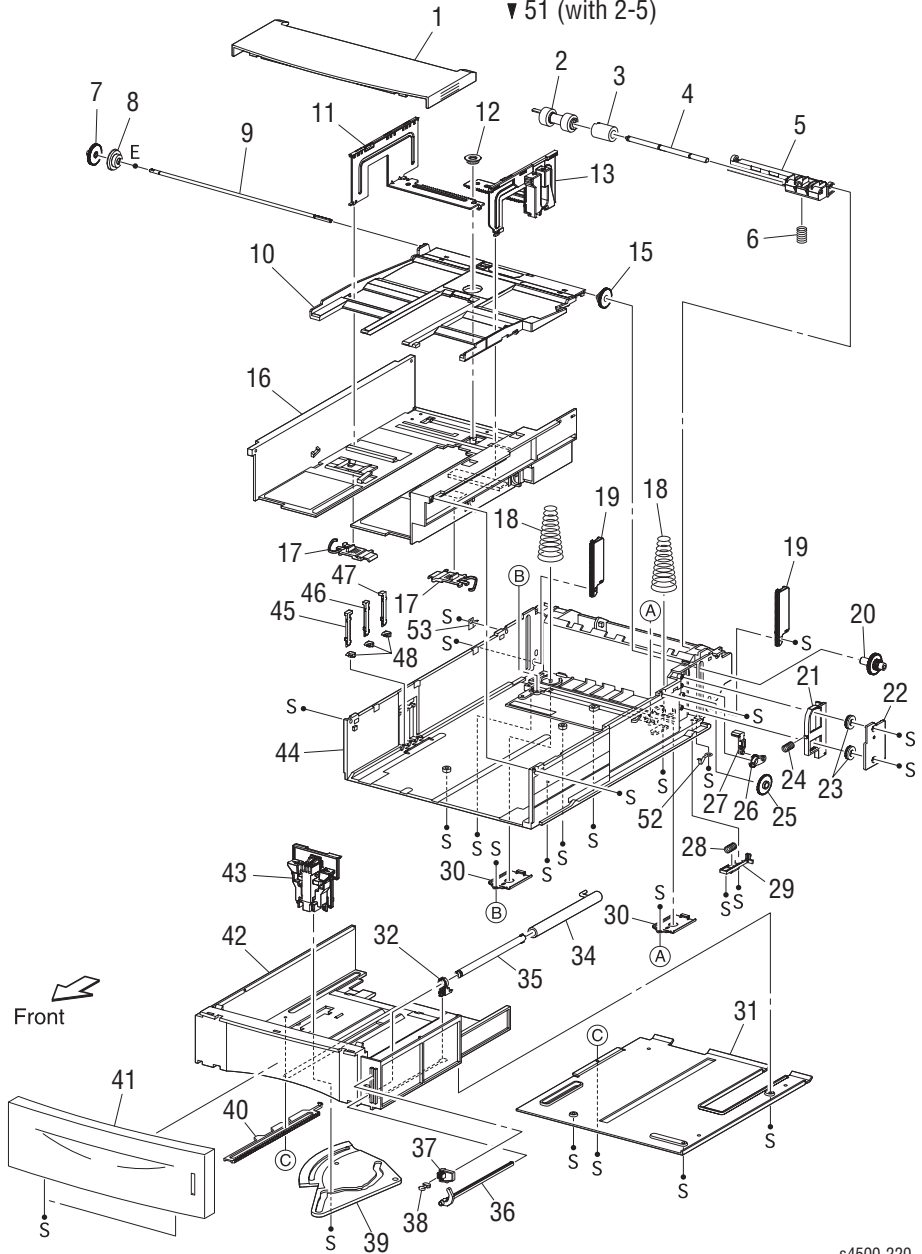
Parts List 20.2 550-Sheet Paper Feeder (2/2)

No.	Name/Description	Part Number
1	550 FEEDER OPTION (with 4-23, 25-34)	022K66124
4	SUPPORT NUDGER	
5	HOLDER LEFT	
6	ACTUATOR NO PAPER	
7	GEAR IDLER NUDGER	
8	HOLDER RIGHT	
9	SHAFT NUDGER	
10	GEAR NUDGER	059K25270
11	ROLL ASSY NUDGER (part of 99)	
12	ROLL ASSY FEED (part of 99)	
13	CLUTCH ONEWAY FEED	005E16941
14	ROLL ASSY TURN	
15	CLUTCH ONEWAY NUDGER	005E16951
16	SHAFT FEED	
17	BEARING NUDGER	013E22571
18	CHUTE TOP ASSY	
19	COVER ACTUATOR	
20	CHUTE BTM	
21	CLUTCH ASSY PH (J853) (Feed Clutch)	121K28511
22	CLUTCH PR-REGI (J854) (Turn Roller Clutch)	121K28511
23	BEARING FEEDER	
25	CHUTE OUT	
26	SPRING EARTH (Ground Spring)	
27	SPRING PINCH TURN	
28	ROLL PINCH TURN	
29	PLATE TIE	
30	CLAMP-5 V0	
31	HARNESS ASSY CLSNR1 (J855-J852, P853, P854)	
32	COVER HARNESS R	
33	SENSOR NO PAPER (P852)	130E81970
34	CHUTE 550 LOWER	
99	Roller Kit (with 11 or 12, qty. 3)	604K11192

Parts List 20.3 Optional 550-Sheet Paper Cassette

▼ 50 (with 1-13,15-32,34-48,52,53)

▼ 51 (with 2-5)



s4500-220
JG5004AB

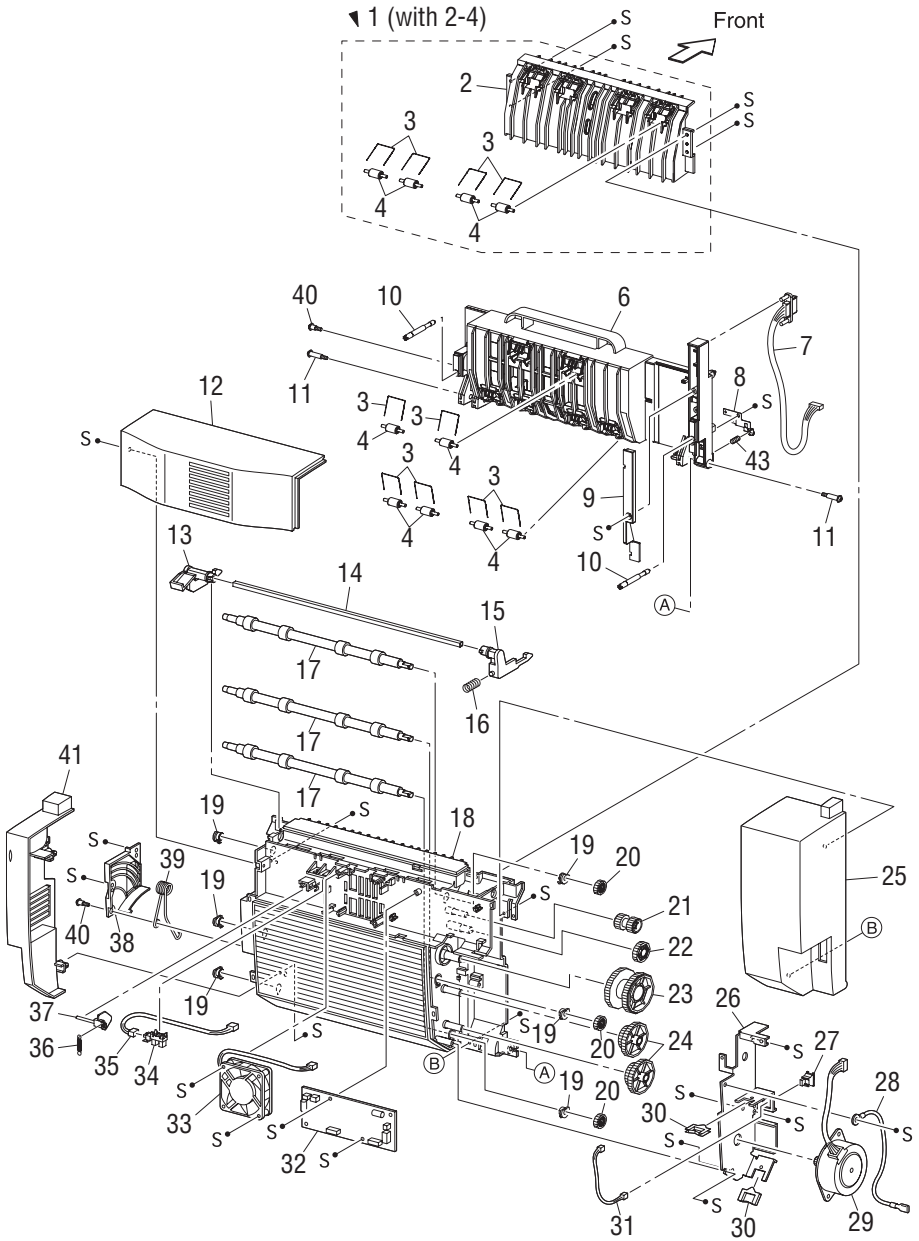
Parts List 20.3 Optional 550-Sheet Paper Cassette

No.	Name/Description	Part Number
1	COVER CST	802E47191
2	ROLL ASSY RETARD (part of 99)	
3	FRICTION CLUTCH	
4	SHAFT RETARD	
5	HOLDER RETARD	
6	SPRING RETARD	809E37500
7	GEAR PB L	
8	GEAR BTM ONEWAY	
9	SHAFT PB	
10	PLATE ASSY BTM	
11	GUIDE ASSY SD L550	
12	GEAR PINION	
13	GUIDE ASSY SD R550	
15	GEAR LOCK ONEWAY	
16	HOUSING TOP 550	
17	LOCK EXTENSION	
18	SPRING BTM UP 550	
19	PLATE GEAR LOCK 550	
20	GEAR PB R	
21	RACK BTM LOCK 550	
22	COVER BTM UP 550	
23	GEAR LOCK PINION	
24	SPRING BTM LOCK	
25	GEAR BTM LOCK	
26	GEAR LEVER LOCK	
27	LEVER BTM LOCK	
28	SPRING STOPPER GEAR	
29	STOPPER GEAR	
30	PLATE SUPPORT	
31	COVER EXTENSION	
32	SUPPORT GUIDE IND	
34	GUIDE INDICATOR 1	

Parts List 20.3 Optional 550-Sheet Paper Cassette (Continued)

No.	Name/Description	Part Number
35	GUIDE INDICATOR 2	
36	GUIDE INDICATOR 3	
37	LOW INDICATOR	
38	LOW IND FRONT	
39	GEAR SECTOR	
40	RACK SIZE	
41	HANDLE EXTENSION 550	
42	HOUSING EXTENSION 550	
43	GUIDE END 550	
44	HOUSING BASE 550	
45	LINK SW SIZE1-550	
46	LINK SW SIZE2-550	
47	LINK SW SIZE3-550	
48	LINK SW SIZE LOW	
50	550 PAPER CASSETTE (with 1-13, 15-32, 34-48, 51-53)	084K15411
51	HLDER ASSY RETARD (with 2-5)	019K98186
52	STOPPER BASE R	
53	STOPPER BASE L	
99	Roller Kit (with 2, qty. 3)	604K11192

Parts List 21.1 Duplex Unit



s4500-231
JG5602AB

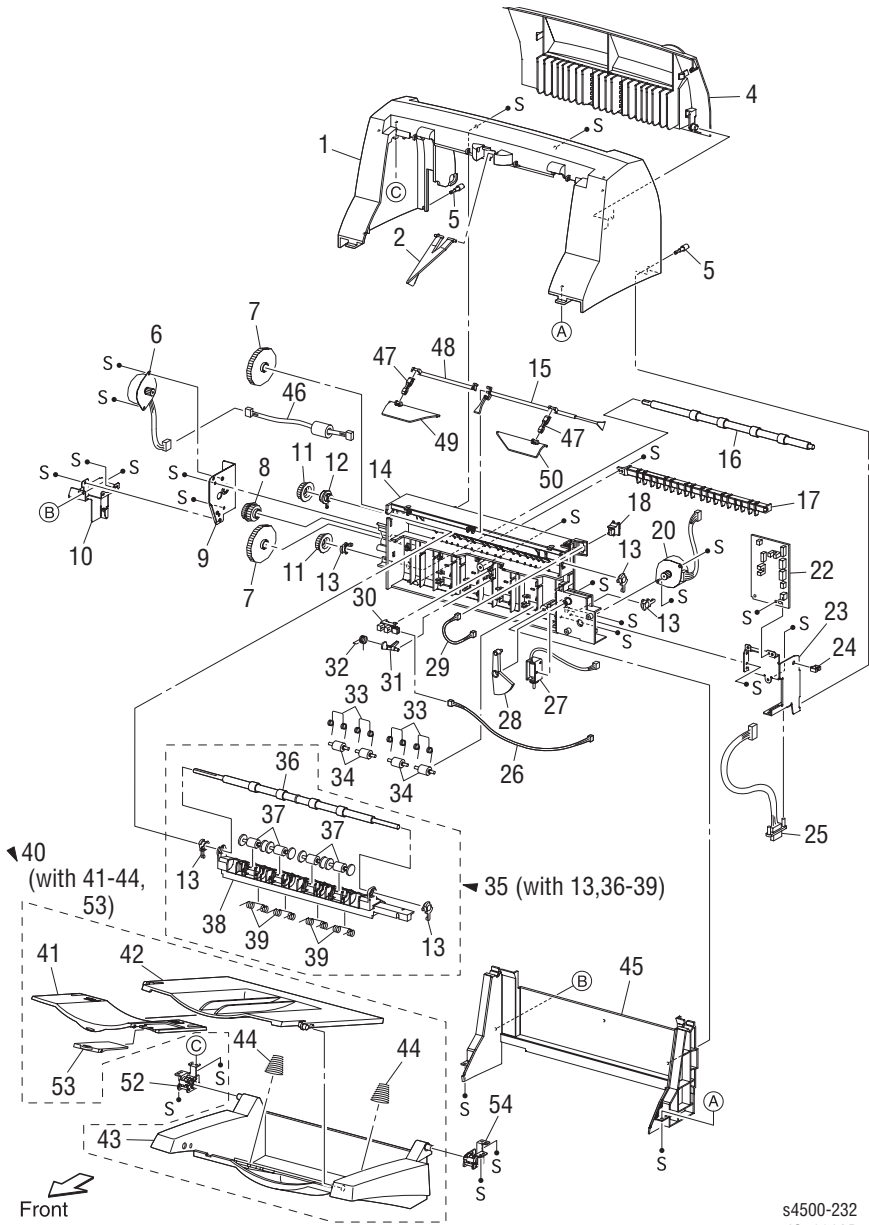
Parts List 21.1 Duplex Unit

No.	Name/Description	Part Number
1	HSG UPPER ASSY (with2-4)	802K46801
2	HSG UPPER DUP	
3	SPRING PINCH	809E37140
4	ROLL PINCH	059E97500
6	HSG LOWER DUP	
7	HARNESS ASSY DUP (J50-JD2750)	
8	EARTH ASSY PLATE	
9	COVER HARNESS	
10	SCREW THUMB	
11	SCREW HINGE	
12	COVER TOP	
13	LEVER LATCH RIGHT	
14	SHAFT LATCH	
15	LEVER LATCH LEFT	
16	SPRING LATCH	
17	ROLLER DUP	059E97811
18	COVER HSG DUP	
19	BEARING DUP	013E22671
20	GEAR ROLLER	
21	GEAR IDLE29	
22	GEAR IDLE47	
23	GEAR IDLE77	
24	GEAR IDLE57/37	
25	COVER LEFT	
26	BRACKET MOTOR	
27	SWITCH DUPLEX (P520)	110E10200
28	HARNESS ASSY DUP EARTH (J56-JD560)	
29	MOTOR DUPLEX (J51)	127E83201
30	CLAMP EDGE	
31	HARNESS ASSY DUP COVER (J52-J520)	
32	PWBA DUPLEX	160K86756
33	FAN DUPLEX (J54)	127E83210

Parts List 21.1 Duplex Unit (Continued)

No.	Name/Description	Part Number
34	SENSOR DUP (P530)	130E82740
35	HARNESS ASSY DUP SNR (J53-J530)	
36	SPRING ACTUATOR	809E50961
37	ACTUATOR DUP	604K16750
38	COVER DAMPER	
39	SPRING DAMPER	
40	SCREW TAPPING	
41	COVER RIGHT	
43	SPRING Frame Ground DUP	
99	DUPLEX ASSY (ENTIRE UNIT)	084K18292

Parts List 23.1 Stacker



s4500-232
JG5801AB

Parts List 23.1 Stacker

No.	Name/Description	Part Number
1	COVER OCT (with 3) (Stacker Cover)	
2	WEIGHT	036E91551
3	ELIMINATOR ASSY	
4	COVER REAR	
5	SCREW THUMB	
6	MOTOR ASSY OCT (J71) (Stacker Motor Assembly)	127K36291
7	GEAR 45	007E74830
8	GEAR 19/37	007E74840
9	BRACKET MOTOR OCT (Stacker Motor Bracket)	
10	SUPPORT OCT LEFT (Left Stacker Support)	
11	GEAR 19	007E74821
12	BEARING OFFSET	013E22030
13	BEARING ROLL	013E22021
14	HOUSING OCT (Stacker Housing)	
15	ACTUATOR FULL STACK	120E21663
16	ROLL OCT LOWER (Lower Stacker Roller)	059K25121
17	CHUTE INLET	
18	S/W REAR COVER (P740)	110E10200
20	MOTOR ASSY OFFSET (J72)	127K39340
22	PWBA OCT (Stacker PWBA)	160K86744
23	SUPPORT OCT RIGHT (Right Stacker Support)	
24	CLAMP MINI	
25	HARNESS ASSY OCT 2 (J70-JD3070) (Stacker Harness 2)	
26	HARNESS ASSY OCT SNR (J73-J730) (Stacker Sensor Harness)	
27	SOLENOID ASSY GATE (J75)	121K28671
28	GEAR CAM	007E74810
29	HARNESS ASSY REAR COVER (J74-J740)	
30	SENSOR OCT (P730) (Stacker Sensor)	130E81970
31	ACTUATOR OCT (Stacker Actuator)	120E21270
32	SPRING ACTUATOR	809E37332
33	SPRING PINCH	809E37341
34	ROLL PINCH	059E97541

Parts List 23.1 Stacker (Continued)

No.	Name/Description	Part Number
35	CHUTE OFFSET ASSY (with 13, 36-39)	054K23313
36	ROLL OCT UPPER (Upper Stacker Roller)	
37	ROLL PINCH OCT (Stacker Pinch Roller)	
38	CHUTE OFFSET	
39	SPRING PINCH EXIT	
40	TRAY ASSY OCT (with 41-44, 53) (Stacker Tray Assembly)	050K49264
41	TRAY EXTENSION	
42	TRAY EXIT	
43	TRAY BASE	
44	SPRING TRAY	
45	COVER FRONT	
46	HARNESS ASSY OCT MOT (J71-P710) (Stacker Motor Harness)	
47	LINK	
48	SHAFT FULL STACK	006E79380
49	FLAPPER ASSY L (with 47)	036K91582
50	FLAPPER ASSY R (with 47)	036K91592
51	SPRING	
52	DAMPER ASSY TRAY L	004K02070
53	STOPPER	
54	DAMPER ASSY TRAY R	004K02080
99	STACKER ASSY (ENTIRE UNIT)	084K18114

Xerox Supplies and Accessories

Repair Kits, World Kits and Repacking Kits

Description	Part Number
World Kit	061-4495-00
Phaser 4500 Getting Started Pack	061-4496-00
Setup Guide (Poster)	001-1552-00
QRG (E,FIGS,BP)	001-1549-00
QRG (E, DU, SV, DA, FI, NO)	001-1550-00
QRG (E, PO, HU, RU, CZ, EL)	001-1551-00
Sleeve Insert	001-1553-00
Quick Reference Guide (QRG English only)	001-1554-00
User Documentation CD-ROM	063-3451-00
Doc Pocket	001-1515-00
Sleeve Insert	001-1556-00
Printer Installer and Utilities CD-ROM	063-3452-00
Phaser 4500 Marketing Collateral Pack	061-4497-00
North American Registration Card	001-1557-00
European Registration Card	001-1558-00
Total Satisfaction Services Booklet	001-1440-02
Warranty Booklet	001-1560-00
UPC Code Label	335-0923-00
World Kit Envelope	001-1479-00
Phaser 4500 Repack Kit	065-0631-00
Hardware Kit	604K16420

Power Cords

Description	Part Number
Cable Assy, 3,18AWG, 115 V, 98, 0L	161-0066-00

Power Cords (Continued)

Description	Part Number
Cable PWR EURO 220V, 99L	161-0066-09
Cable PWR U.K. 240 V, 96L	161-0066-10
Cable PWR AUST 240 V, 96L	161-0066-11
Cable Assy SWISS 220/240 V, 50Hz	161-0154-00
Cable Assy PWR. DANISH, 250 V	161-0240-00
Cable Assy PWR, PRC	161-0304-00
Power, 240V, ARGENTINA	161-0307-00

Upgrade Kits and Options

Description	Part Number
64 MB Memory Option	097S03122
128 MB Memory Option	097S03123
256 MB Memory Option	097S03124
Flash Memory DIMM	097S03125
Hard Drive Option	097S03126
B TO N Upgrade Option	097S03146

Consumables

Description	Part Number
Standard-Capacity Print Cartridge (10K)	113R00656
High-Capacity Print Cartridge (18K)	113R00657

Routine Maintenance Items

Description	Part Number
Maintenance Kit, 110 V	108R00600
Maintenance Kit, 220 V	108R00601

Printer Options

Description	Part Number
550-Sheet Feeder (includes tray)	097S03127
Duplex Unit	097S03128
500-Sheet Stacker with Job Offset	097S03129
150-Sheet Replacement Paper Tray	109R00734
550-Sheet Replacement Paper Tray	109R00721

Software and Documentation

Description	Part Number
Printer Installer and Utilities CD-ROM	063-3452-00
User Documentation CD-ROM	063-3451-00
Service Manual	071-0867-00

Xerox Printing Media

Description	Size	Part Number
Xerox Professional Printing Paper		
Xerox Premium Multipurpose 4024	Letter 8.5 x 11 in.	3R721
Xerox Business Multipurpose 4200	Letter 8.5 x 11 in.	3R2047
Xerox Premium Multipurpose 4024	Legal 8.5 x 14 in.	3R727
Xerox Premium Multipurpose 4024	Letter 8.5 x 11 in.	3R2531
Xerox Premier 80	A4 210 x 297 mm	3R91720
Xerox Business Paper	A4 210 x 297 mm	3R91820
Xerox Cover and Index Stock		
Xerox Premium Multipurpose 4024, Cover Stock	Letter 8.5 x 11 in.	3R3041
Xerox Premium Multipurpose 4024, Index Stock	Letter 8.5 x 11 in.	3R3004
Xerox Recycled Paper		
Xerox Multipurpose Recycled - 30% PCW	Letter 8.5 x 11 in.	3R6296
Xerox Recycled Paper - 100% PCW	A4 210 x 297 mm	3R91165

Xerox Printing Media (Continued)

Description	Size	Part Number
Xerox Pre-Punched Paper		
Xerox Premium Multipurpose 4024 - 3Hole	Letter 8.5 x 11 in.	3R2193
Xerox Premium Multipurpose 4024 - 3Hole	Letter 8.5 x 11 in.	3R3317
Xerox Business Paper - 4Hole	A4 210 x 297 mm	3R91823
Xerox Labels		
Xerox High Speed Labels	Letter 8.5 x 11 in.	3R3139
Xerox Clear High Speed Labels		3R5139
Xerox High Speed Labels	A4 210 x 297 mm	3R96178
Xerox Transparency Film		
Xerox Clear - No Strip	Letter 8.5 x 11 in.	3R3117
Xerox Paper-backed - Clear	Letter 8.5 x 11 in.	3R3028
Xerox Clear Transparencies	A4 210 x 297 mm	3R96002
Xerox Weatherproof Media		
Xerox Phaser Weatherproof Media	Letter 8.5 x 11 in.	103R01020
Xerox Phaser Weatherproof Media	A4 210 x 297 mm	103R01021
Xerox Carbonless Media		
2-Part (White/Canary)	Letter 8.5 x 11 in.	3R12130
2-Part (White/Pink)	Letter 8.5 x 11 in.	3R12132
3-Part (White/Canary/Pink)	Letter 8.5 x 11 in.	3R12135
3-Part (White/Canary/Pink)	Letter 8.5 x 11 in.	3R12134
3-Part (Pink/Canary/White)	A4 210 x 297 mm	3R97109
3-Part (White/Canary/Pink)	A4 210 x 297 mm	3R97108
Xerox Postcard Media		
Xerox Phaser Postcards	Letter 8.5 x 11 in.	103R01016
Xerox Phaser Postcards	A4 210 x 297 mm	103R01017
Xerox Trifold Brochure Media		
Xerox Phaser Trifold Brochures	Letter 8.5 x 11 in.	103R01018
Xerox Phaser Trifold Brochures	A4 210 x 297 mm	103R01019