

Parts Lists

In this chapter...

- Serial Number Format
- Using the Parts List
- Print Engine Parts
- Xerox Supplies

Chapter 9



Serial Number Format

Changes to Xerox products are made to accommodate improved components as they become available. It is important when ordering parts to include the following information:

- Component's part number
- Product type or model number
- Serial number of the printer

Serial numbering. Particular fields in the serial number indicate the modification level of the printer, the date of its manufacture and the sequence number of the printer produced on that day.

The serial number is coded as follows:

- The text “S/N” followed by the serial number in the barcode.
- The barcode **does not** include a field identifier.
- The nine digit serial number is based on the following format:
PPPRSSSS

PPP = Three digit alphanumeric product code

Product	Model	Voltage	Product Code
3450	B, D, DN	110V	PMY
3450V	B, D, DN	220V	PNC

R - Single digit numeric revision digit. To be rolled when a major product change occurs. Initiated with a change request.

SSSSS - Five digit numeric serial number.

Serial Number Example:

PMY453072:

PMY = Product code for the 110V Printer

4 = Revision level

53072 = Serial number

Using the Parts List

- 1. No.:** The callout number from the exploded part diagram.
- 2. Part Number:** The material part number used to order specific parts.
- 3. Qty:** This number represents the parts per printer, not the number of parts supplied in the actual part order.
- 4. Name/Description:** Details the name of the part to be ordered and the number of parts supplied per order.
- 5.** Parts identified throughout this manual are referenced **PL #.#.#**; For example, PL 3.1.10 means the part is item 10 of Parts List 3.1.
- 6.** A black triangle preceding a number followed by a parenthetical statement in an illustrated parts list means the item is a parent assembly, made up of the individual parts called out in parentheses.
- 7.** The notation “**with X~Y**” following a part name indicates an assembly that is made up of components X through Y. For example, “1 (with 2~4)” means part 1 consists of part 2, part 3, and part 4.
- 8.** An asterisk (*) following a part name indicates the page contains a note about this part.
- 9.** The notation (NS) next to a part indicates that particular part is not spared, but contained in a kit or major assembly.
- 10.** The notation “**J1<>J2 and P2**” is attached to a wire harness. It indicates that connector Jack 1 is attached to one end of the wire harness and connector J2 is attached to the other end that is plugged into P2.

Note

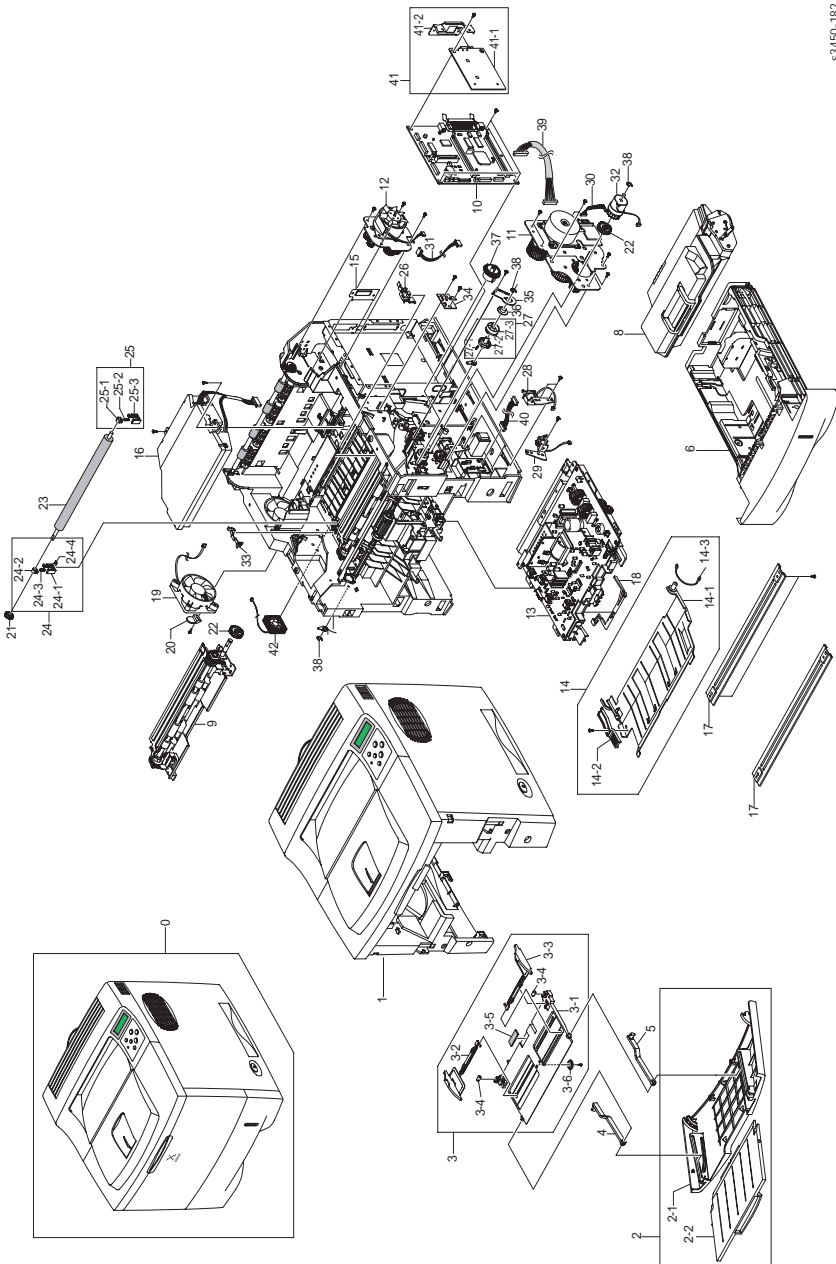
Only parts showing part numbers are available for support. Parts not showing part numbers are available on the parent assembly.

Legend:

Identifier	Meaning
C	C-ring
E	E-ring
KL	K-clip
S	Screw

Print Engine Parts

Main Unit



S3450-182

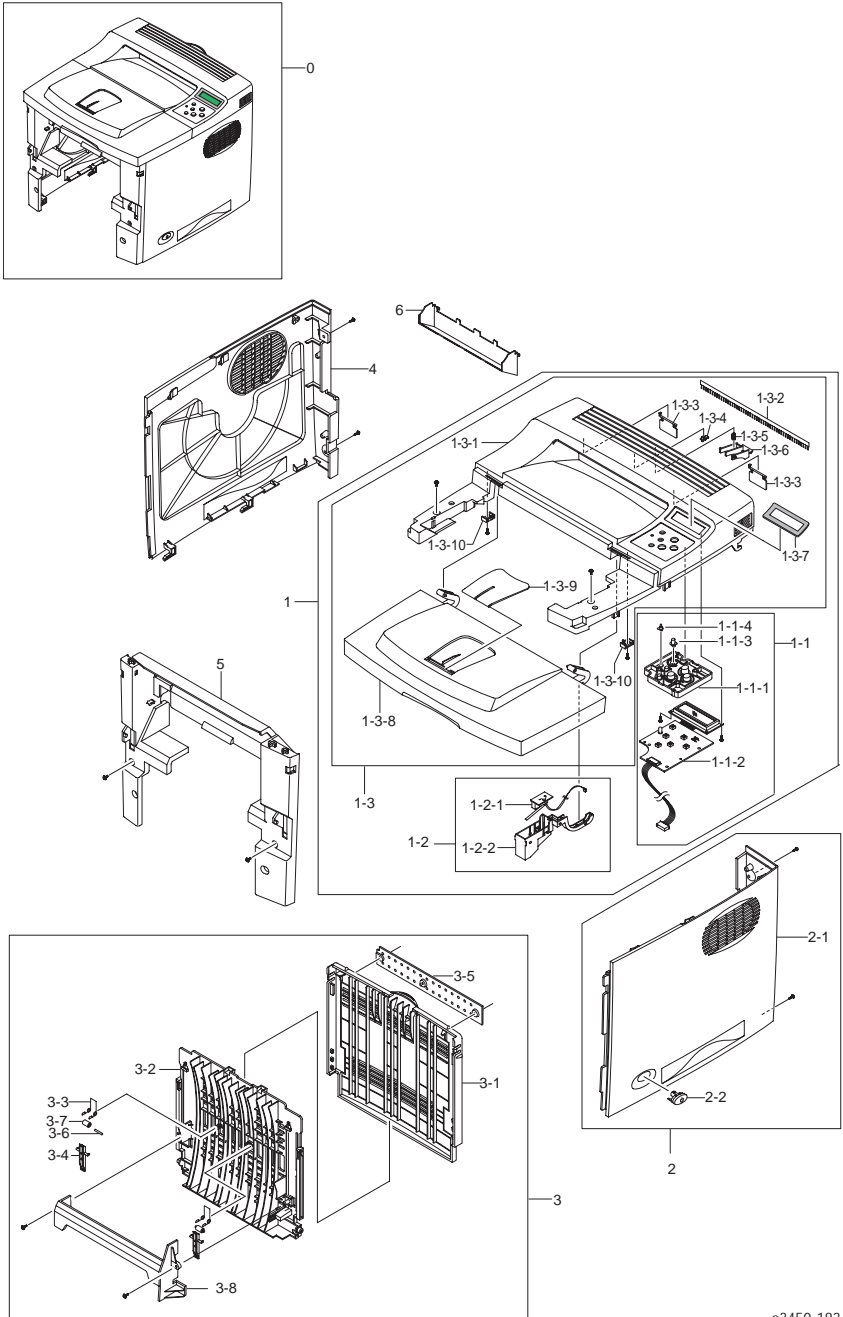
Service Parts List 9.1 Main Unit

No.	Name/Description	Qty	Part Number
1	Base Housing	1	NS
2	Tray 1 Cover Assy (with 2-1, 2-2)	1	802K69550
3	Tray 1 Assembly (with 3-1 ~ 3-6)	1	050K55430
4	Tray 1 Link (Left)	1	NS
5	Tray 1 Link (Right)	1	NS
6	Paper Tray	1	109R00722
7	Frame Assy	1	NS
8	Print Cartridge (5K) Print Cartridge (10K)	1 1	106R00687 106R00688
9	Reg Transport Assy	1	059K39130
10	Main Board (Duplex) Main Board (Non-Duplex)	1 1	960K12200 960K12360
11	Main Drive Motor Assembly	1	127K44860
12	Exit Motor Assembly	1	127K44870
13	Power Supply Board (110 Volts) Power Supply Board (220 Volts)	1 1	105K27080 105K27090
14	Duplex Guide Plate (with 14-1 ~ 14-3)	1	NS
15	Bracket Dummy Control		NS
16	Laser Assembly	1	122K02450
17	Cross Bar	2	NS
18	Tray 2 Empty Actuator	1	120E26090
19	Fan DC (Main)	1	127E14630
20	Stopper Fan		NS
21	Gear, Transfer Roll	1	007N01013
22	Gear Regi Z25		NS
23	Transfer Roller	1	022E29520
24	Transfer Roller Bearing, Right (with 24-1 ~ 24-4)	1	019E63470
25	Transfer Roller Bearing, Left (with 25-1 ~ 25-3)	1	019E63480
26	Cap-M-Gear	1	807E06450
27	Gear Assembly	1	007K13470
28	Tray 2 Solenoid	1	121E19250
29	Tray 1 Solenoid	1	121E19260

Service Parts List 9.1 Main Unit (Continued)

No.	Name/Description	Qty	Part Number
30	Harness, Main Motor		NS
31	Harness, Motor		NS
32	Reg Clutch	1	121E19270
33	PMO Cap TR		NS
34	PBA Sub Cover Joint		NS
35	Bracket-P Shaft MP		NS
36	Bearing Pick Up		NS
37	Gear Pick Up Cam		NS
38	E-Ring		NS
39	CBF Harness SMPS		NS
40	CBF Harness MPF Joint		NS
41	Optional Network Interface Card (NIC) (with 41-1, 41-2)		097S03130
42	Fan DC (Sub)	1	127E14640

Covers

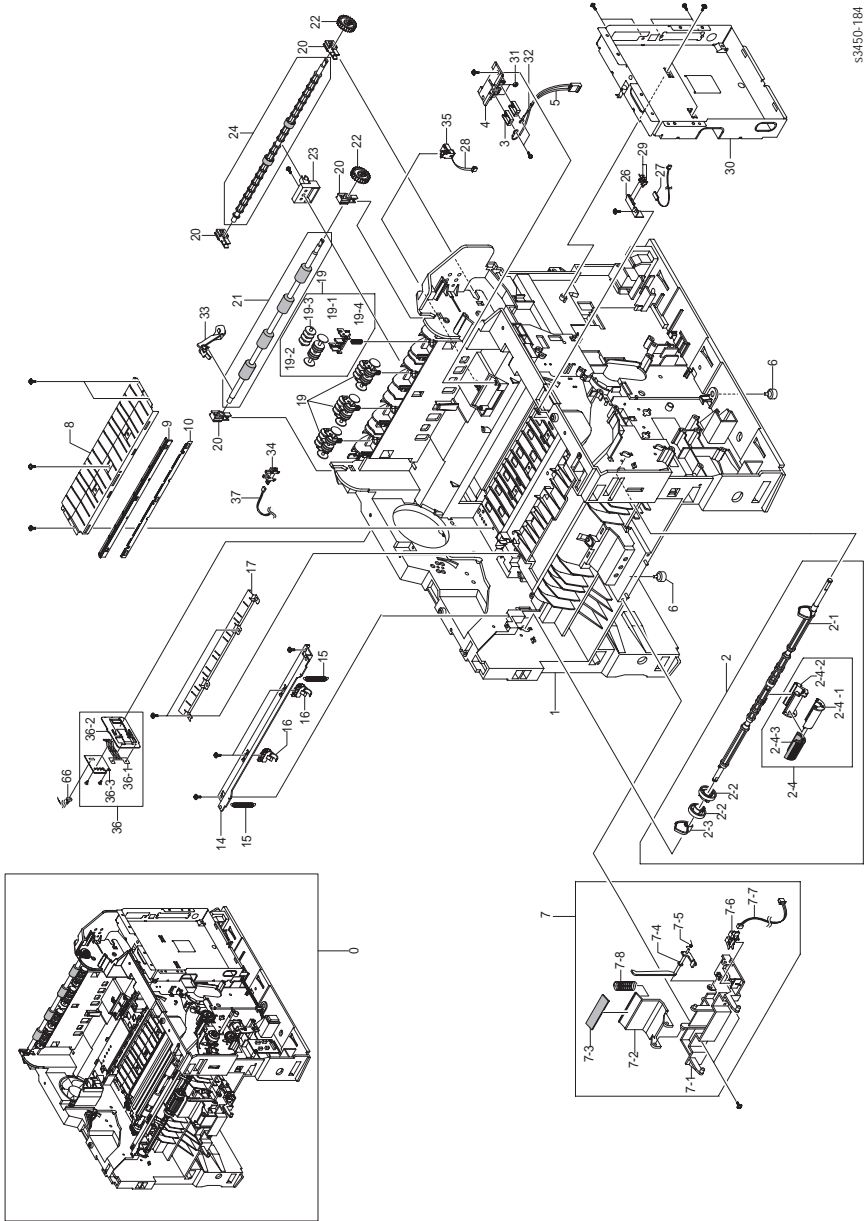


s3450-183

Service Parts List 9.2 Covers

No.	Name/Description	Qty	Part Number
1	Top Cover Assembly (with 1-1 ~ 1-3)		NS
1-1	Front Panel (with 1-1-1 ~ 1-1-4)		019E63490
1-2	Top Cvr Intlck Switch (with 1-2-1 and 1-2-2)		110E14480
1-3	Top Cover (with 1-3-1 ~ 1-3-10)	1	802K69560
2	Right Cover Assembly (with 2-1 and 2-2)	1	802K69580
3	Rear Cover Assembly (with 3-1 ~ 3-8)	1	802K69590
4	Left Cover	1	802E66540
5	Front Inner Cover	1	802E66550
6	Output Tray Cover	1	802E66560

Frame 1 Assembly



53450-184

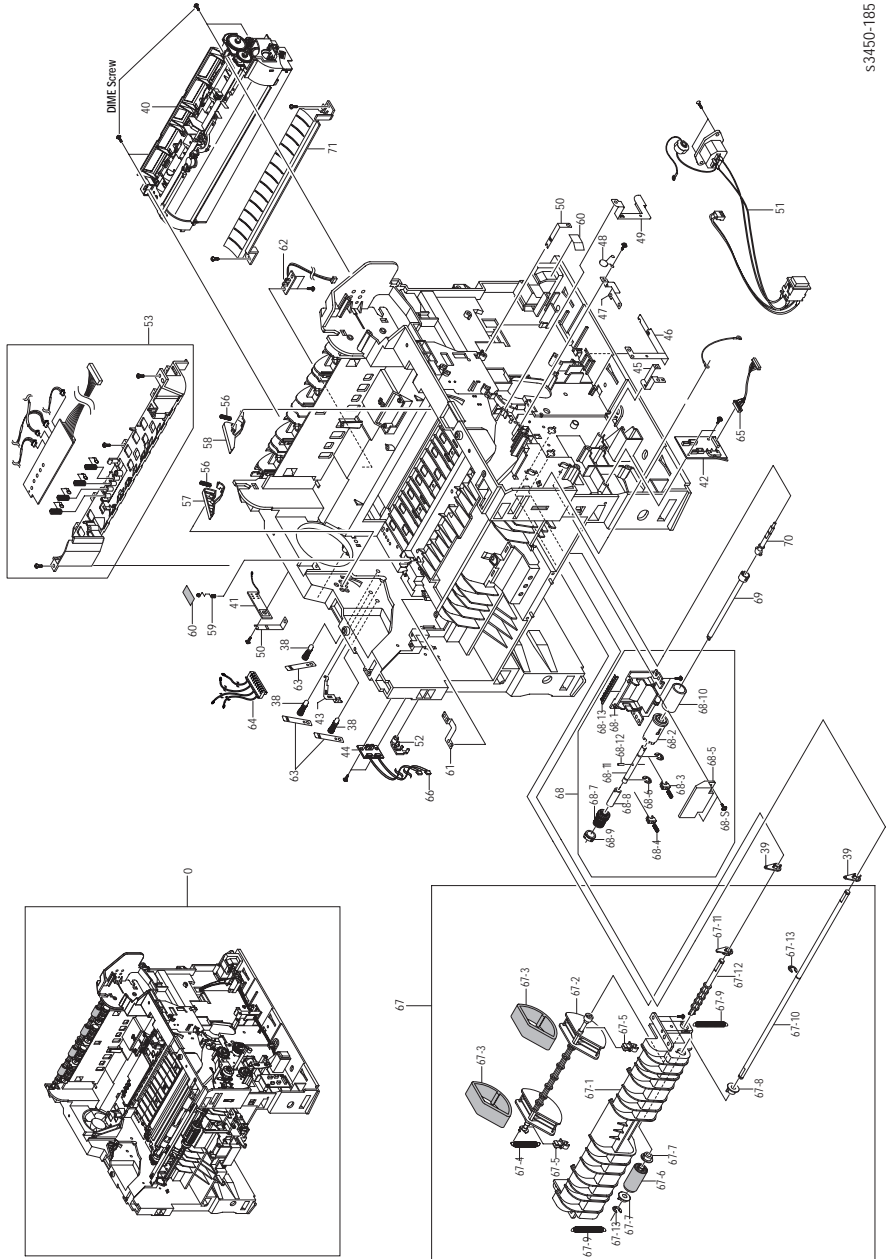
Service Parts List 9.3 Frame 1 Assembly

No.	Name/Description	Qty	Part Number
1	Frame M Base		NS
2	Tray 1 Feed Assy (with 2-1 ~ 2-3)	1	059K39080
2-4	Tray 1 Feed Roller (with 2-4-1 ~ 2-4-3)	1	059K39090
3	IPR Terminal FU		NS
4	PMO Housing Terminal		NS
5	CBF Harness Fuser 220V		NS
6	Foot ML-80		NS
7	Retard Feeder Assy (with 7-1 ~ 7-8)	1	059K39100
8	Guide P Transfer		NS
9	PMO Holder Plate Saw		NS
10	IPR Plate Saw		NS
11			
12			
13			
14	Guide P Regi Upper		NS
15	Spring ETC Lever		NS
16	Holder M Bushing TX		NS
17	Guide Plate Paper		NS
18			
19	Exit Idler roller Assy (with 19-1 ~ 19-4)	1	059K39110
20	Bearing	4	013E25770
21	Exit Shaft Roller Assy	1	006K29340
22	Exit Gear	2	013E25780
23	Holder M Bushing Exit		NS
24	Transport Exit Shaft Assy	1	006K29350
25	IPR Terminal TR Hawk		NS
26	Cap M Wire PTL Lower		NS
27	PBA Sub PTL2		NS
28	CBF Harness Thermistor		NS
29	Terminal P PTL		NS
30	Shield P Controller		NS

Service Parts List 9.3 Frame 1 Assembly (Continued)

No.	Name/Description	Qty	Part Number
31	Nut Hex		NS
32	Cable Tie		NS
33	Actuator Out Full		NS
34	Photo Interrupter		NS
35	Connector		NS
36	Paper Size Sensor Assy (with 36-1 ~ 36-3)	1	110K14290
37	Harness Out Full		NS

Frame 2 Assembly



s3450-185

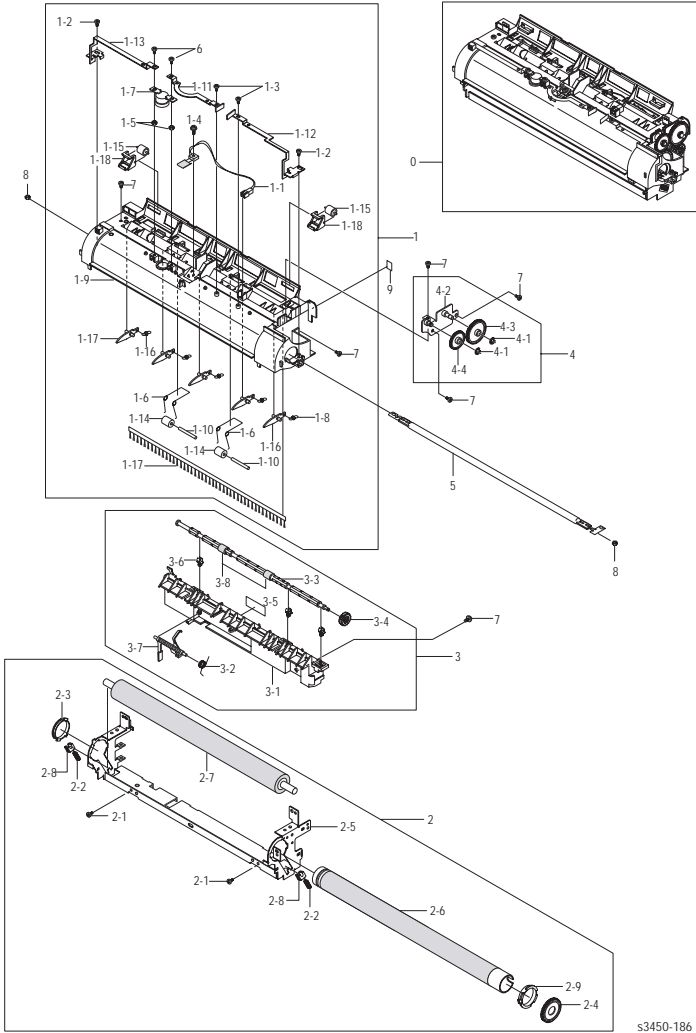
Service Parts List 9.4 Frame 2 Assembly

No.	Name/Description	Qty	Part Number
38	MEA Unit Terminal L		NS
39	PMO Bearing Shaft		NS
40	Fuser Assy 110V Fuser Assy 220V	1 1	126E02480 126E02490
41	PBA Main Zener		NS
42	Interface PWBA	1	960K12210
43	IPR P Ground OPC		NS
44	Tray 2 Empty Sensor Assy	1	130K68290
45	IPR P GND Solenoid Feed		NS
46	IPR P GND SCF Main		NS
47	IPR P GND Regi Roller		NS
48	ELA HOU Varistor		NS
49	IPR P GND Motor Main2		NS
50	IPR P GND Guide TR		NS
51	AC Harness Assy	1	962K26720
52	Hinge M Front Guide Dup		NS
53	Print Cartridge Interconnect Board	1	960K12310
54			
55			
56	Spring ETC Guide DEVE		NS
57	PMO Guide DEVE L		NS
58	PMO Guide DEVE R		NS
59	Terminal P TR Cardinal		NS
60	Sheet Cover TR		NS
61	IPR P Ground Plate Paper		NS
62	Exit Sensor	1	130E11100
63	Terminal P HV Cardinal		NS
64	CBF Harness HVPS		NS
65	CBF Harness Connector		NS
66	CBF Harness Sensor		NS
67	Tray 2 (Tray 3) Feed Assy (with 67-1, 67-2, 67-4 ~ 67-13)	1	059K39120
67-3	Tray 2 (Tray 3) Feed Roller	2	022E29530

Service Parts List 9.4 Frame 2 Assembly (Continued)

No.	Name/Description	Qty	Part Number
68	Tray 2 (3) Retard Assy (with 68-1 ~ 68-13)	1	022E29540
69	Shaft M Coupling Retard		NS
70	Shaft M Gear Retard		NS
71	Guide M Front		NS

Fuser Assembly

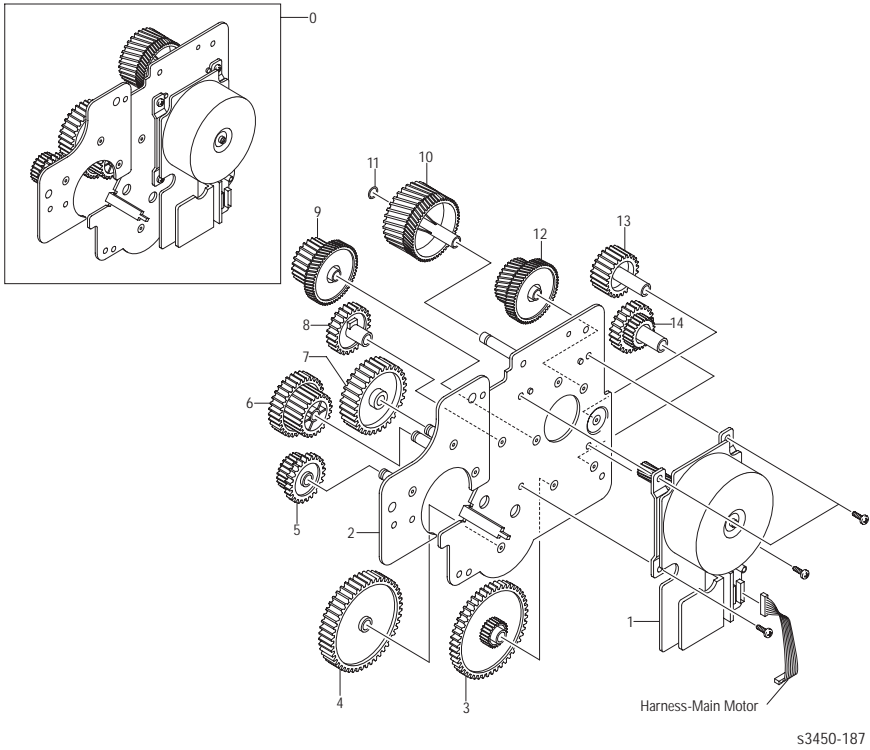


s3450-186

Service Parts List 9.5 Fuser

No.	Name/Description	Qty	Part Number
0	Unit Fuser 110V	1	126E02480
	Unit Fuser 220V	1	126E02490

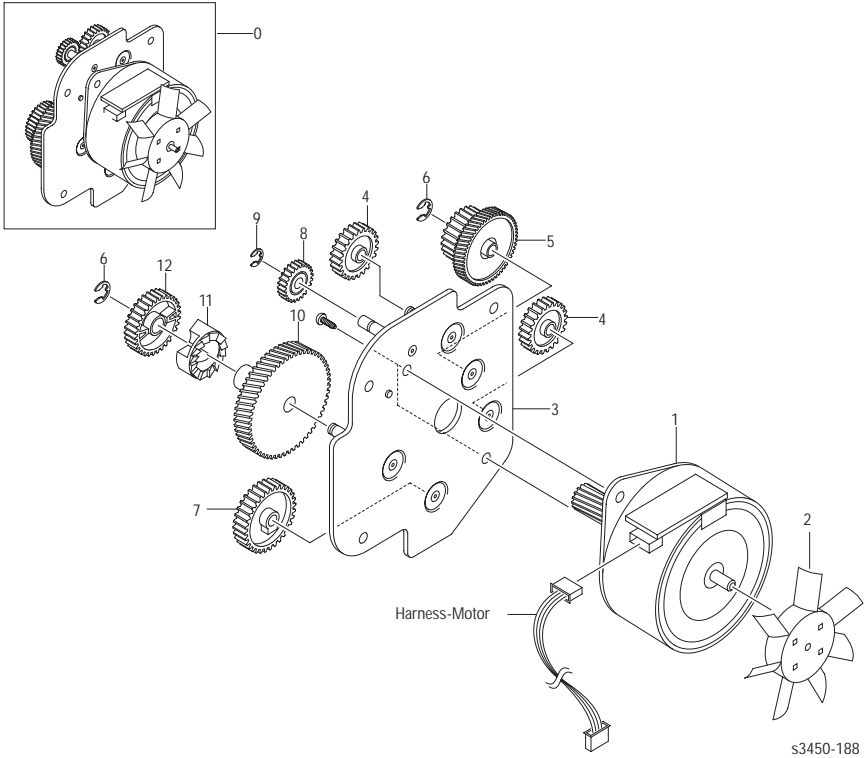
Main Drive Motor Assembly



Service Parts List 9.6 Main Drive

No.	Name/Description	Qty	Part Number
0	Main Drive Motor Assy	1	127K44860

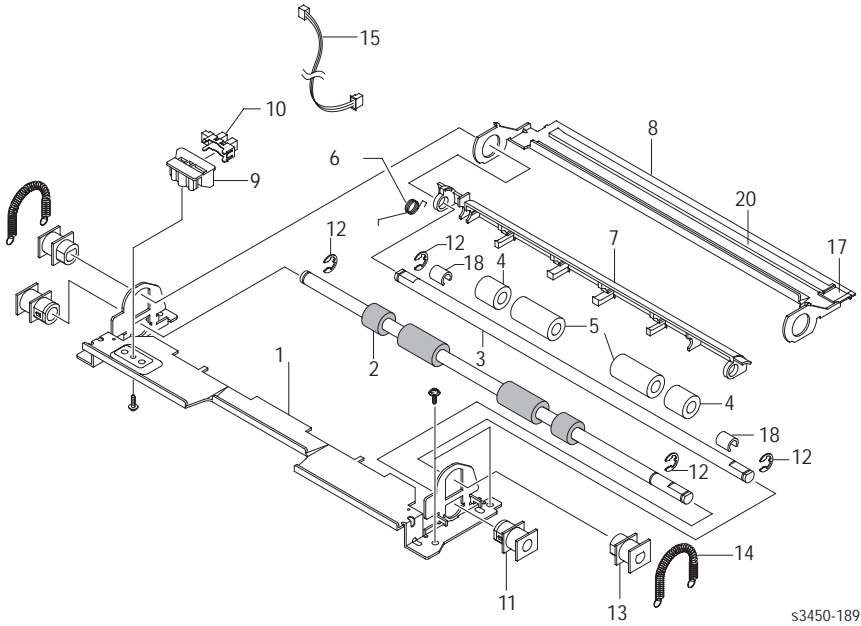
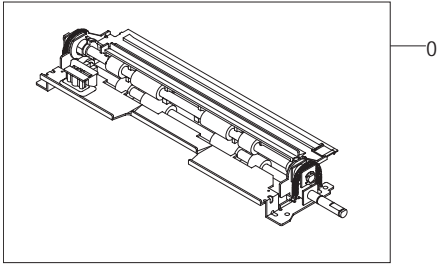
Exit Drive Motor Assembly



Service Parts List 9.7 Exit Drive

No.	Name/Description	Qty	Part Number
0	Exit Motor Assy	1	127K44870

Registration Transport Assy



s3450-189

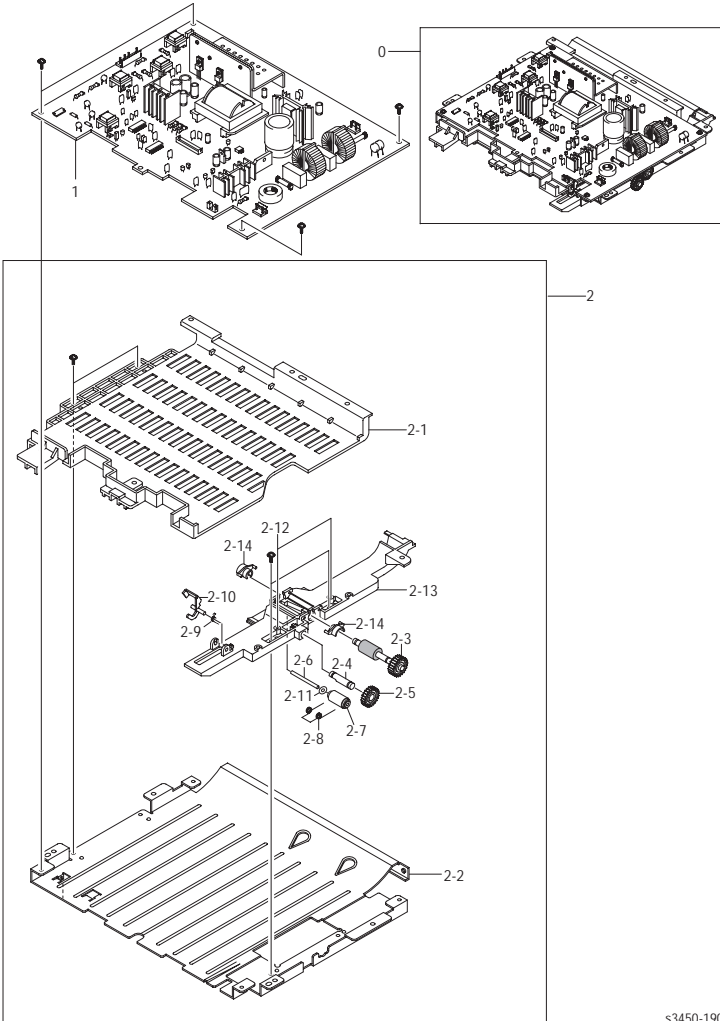
Service Parts List 9.8 Registration Transport Assy

No.	Name/Description	Qty	Part Number
0	Reg Transport Assy	1	059K39130
1	Guide P Regi Lower		NS
2	Roller regi Lower L		NS
3	Shaft Regi Upper		NS
4	Roller M Regi Idle S		NS
5	Roller M Regi Idle L		NS

Service Parts List 9.8 Registration Transport Assy (Continued)

No.	Name/Description	Qty	Part Number
6	Spring TS		NS
7	Paper Guide		NS
8	Guide P Regi Plate		NS
9	Holder M Sensor		NS
10	Photo Interrupter	1	110K14300
11	Bush M Roller Regi L		NS
12	E-Ring		NS
13	Bush M Roller Regi L		NS
14	Spring ES		NS
15	CBF Harness MP Empty		NS
16	Washer Plain		NS
17	Cap M Wire PTL Upper		NS
18	Cap M Bushing Actuator		NS
19	Cap P Bushing Regi Lower		NS
20	PBA Main PTL1		NS

Power Supply/Duplex Assembly

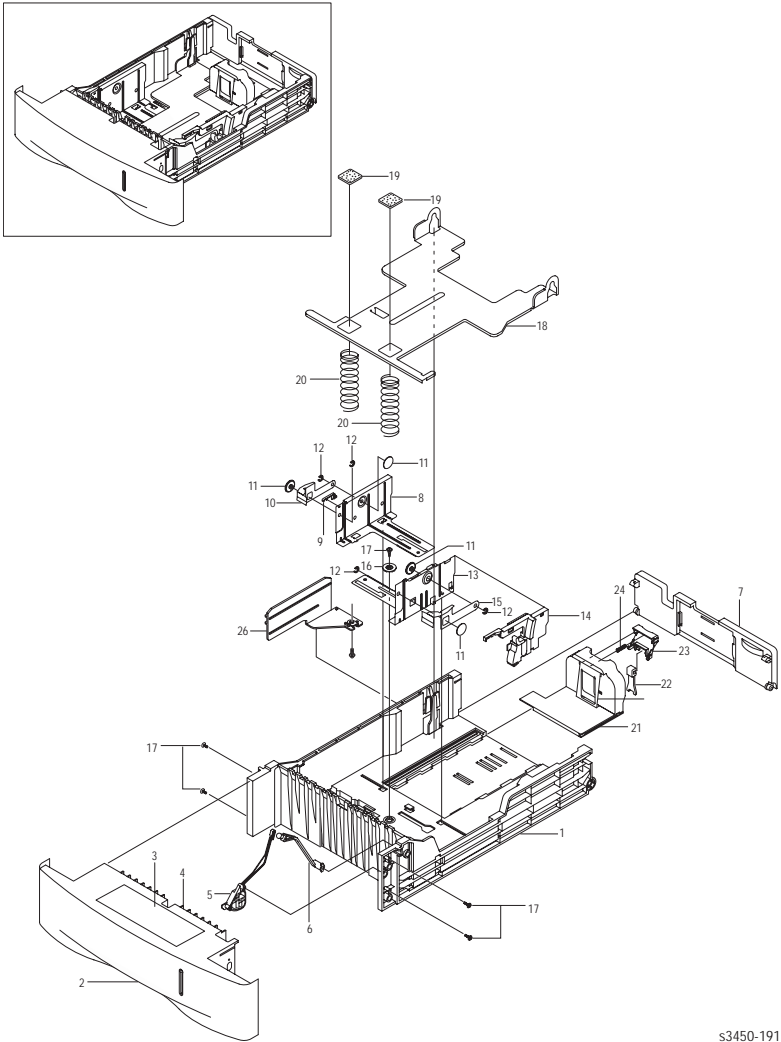


s3450-190

Service Parts List 9.9 HVPS/Duplex Assembly

No.	Name/Description	Qty	Part Number
0	Power Supply Board (110 Volts) (with 1 and 2)	1	105K27080
	Power Supply Board (220 Volts) (with 1 and 2)	1	105K27090
1	SMPS-V1_HVPS SMPS-V2_HVPS		NS NS
2	Duplex Roller Assembly (with 2-1 ~ 2-14)	1	059K39140

Paper Tray

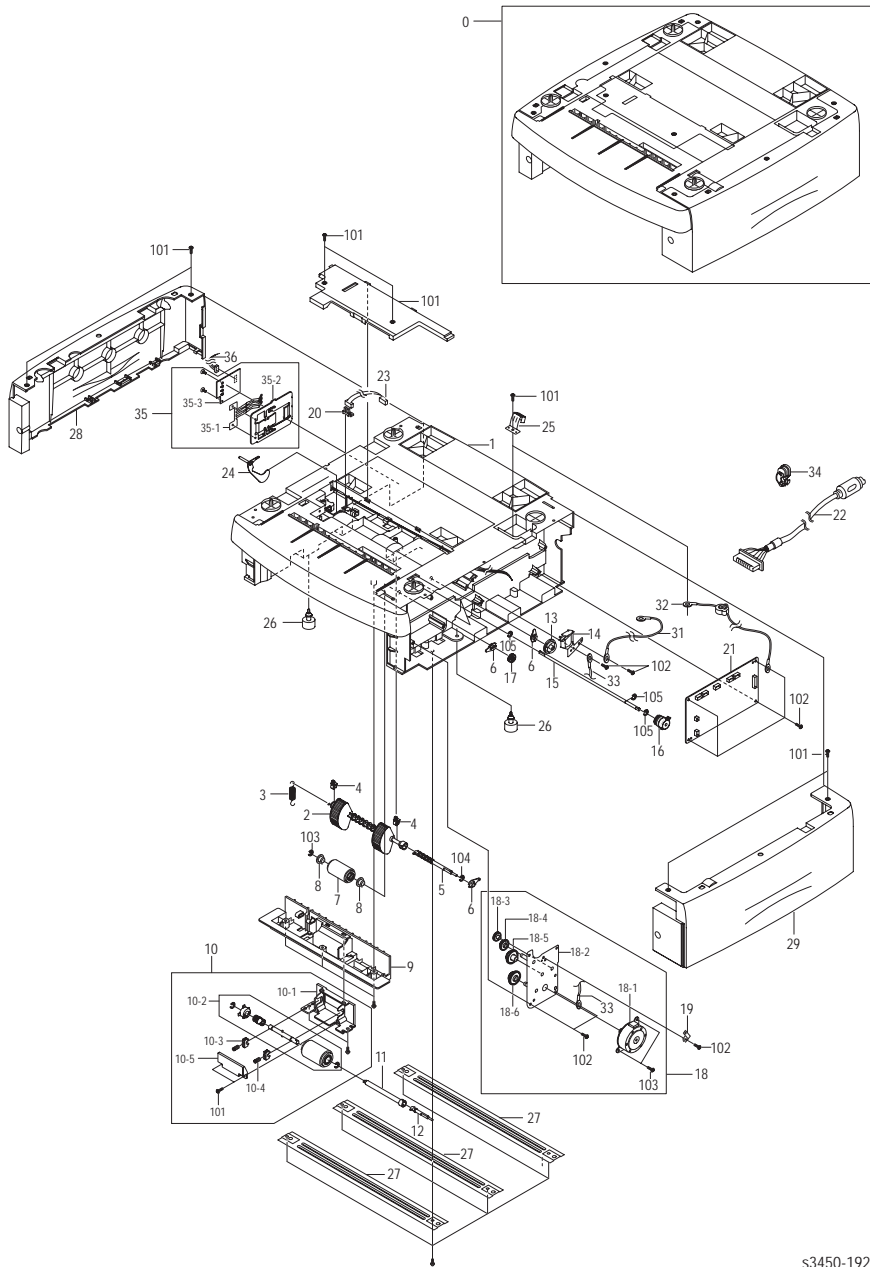


s3450-191

Service Parts List 9.10 Paper Tray

No.	Name/Description	Qty	Part Number
0	Paper Tray (with 1 ~ 26)	1	109R00722

Optional Lower Feeder Assembly



s3450-192

Service Parts List 9.11 Optional Lower Feeder

No.	Name/Description	Qty	Part Number
0	500 Sheet Feeder (with paper tray)	1	097S03131
1	PMO Frame SCF		NS
2	Tray 3 Feed Assy	1	059K39120
3	Spring Pick Up		NS
4	PMO Bushing TX		NS
5	Shaft Pick Up		NS
6	PMO Bearing Shaft		NS
7	MEA Unit Roller Feed		NS
8	Bearing Pick Up		NS
9	PMO Guid Inner SCF		NS
10	Tray 3 Retard Assy	1	022E29540
11	Coupling Retard Shaft SCF		NS
12	Shaft Gear Retard		NS
13	Gear Pick Up Cam SCF		NS
14	Tray 3 Solenoid	1	121E19280
15	Shaft Feed SCF		NS
16	Tray 3 Feed Clutch	1	121E19290
17	Gear Regi Z25		NS
18	ELA Unit Bracket SCF		NS
18-1	Tray 3 Feed Motor	1	127E14650
19	IPR GND Spring Feed		NS
20	Photo Interrupter		NS
21	Tray 3 Control Board	1	960K12220
22	Tray 3 Interface Cable	1	962K26730
23	Cable Photo Interrupter		NS
24	Tray 3 Empty Actuator	1	120E26100
25	IPR GND Top		NS
26	Foot Rubber Hawk 16		NS
27	IPR Bar Cross Bottom		NS
28	PMO Cover L SCF		NS
29	PMO Cover R SCF		NS

Service Parts List 9.11 Optional Lower Feeder (Continued)

No.	Name/Description	Qty	Part Number
30	PMO Cover Dummy SCF		NS
31	CBF Harness SCF GND		NS
32	CBF Harness LIU GND		NS
33	CBF Harness OPE		NS
34	Bush Cable		NS
35	ELA HOU CST Sensor Hawk 16		NS
36	Harness Paper Size		NS
101	Screw Taptite		NS
102	Screw Taptite		NS
103	Screw Machine		NS
104	E-ring		NS
105	E-ring		NS

Xerox Supplies

Repair Kits, World Kits, and Repackaging Kits

Description	Part Number
World Kit	061-4498-00
Phaser 3450 Getting Started Pack	061-4499-00
Cushion Main Repackaging Phaser 3450	696E31910
Main Shipping Box, Repackaging	696E31900
High-Capacity Print Cartridge Box	004-5352-00
Standard-Capacity Print Cartridge Box	004-5351-00
500-Sheet Paper Tray Box	004-5349-00
550-Sheet Feeder Box	004-5348-00
Transfer Roller Box	004-5350-000

Power Cords

Description	Part Number
Cable Assy, 3,18AWG, 115 V, 98, 0 L	161-0066-00
Cable PWR EURO 220 V , 99 L	161-0066-09
Cable PWR U.K. 240 V, 96 L	161-0066-10
Cable PWR AUST 240 V, 96 L	161-0066-11
Cable Assy SWISS 220/240 V, 50 Hz	161-0154-00
Cable Assy PWR. DANISH, 250 V	161-0240-00
Cable Assy PWR, PRC	161-0304-00
Power, 240 V, ARGENTINA	161-0307-00

Upgrade Kits and Options

Description	Part Number
Memory	
32 Mbytes, 8M x 32, PC133; Memory DIMM	097S03132
64 Mbytes, 8M x 64, PC133; Memory DIMM	097S03133
128 Mbytes, 16M x 64, PC133; Memory DIMM	097S03136
500 Sheet Feeder with Tray	097S03131
8 Mbytes Flash Memory DIMM	097S03134
Network Interface Card (NIC)	097S03130
500 Sheet Replacement Paper Tray	109R00722

Consumables

Description	Part Number
Print Cartridge - Phaser 3450 Laser Printer	
Standard-Capacity (5K)	106R00687
High-Capacity (10K)	106R00688

Service Parts

Description	Part Number
Transfer Roller	022E29520
Fuser Assembly (110 V)	126E02480
Fuser Assembly (220 V)	126E02490
Hardware Kit	600N01672

Software and Documentation

Description	Part Number
Software and Documentation CD	063-3453-00
Service Manual	071-0866-00