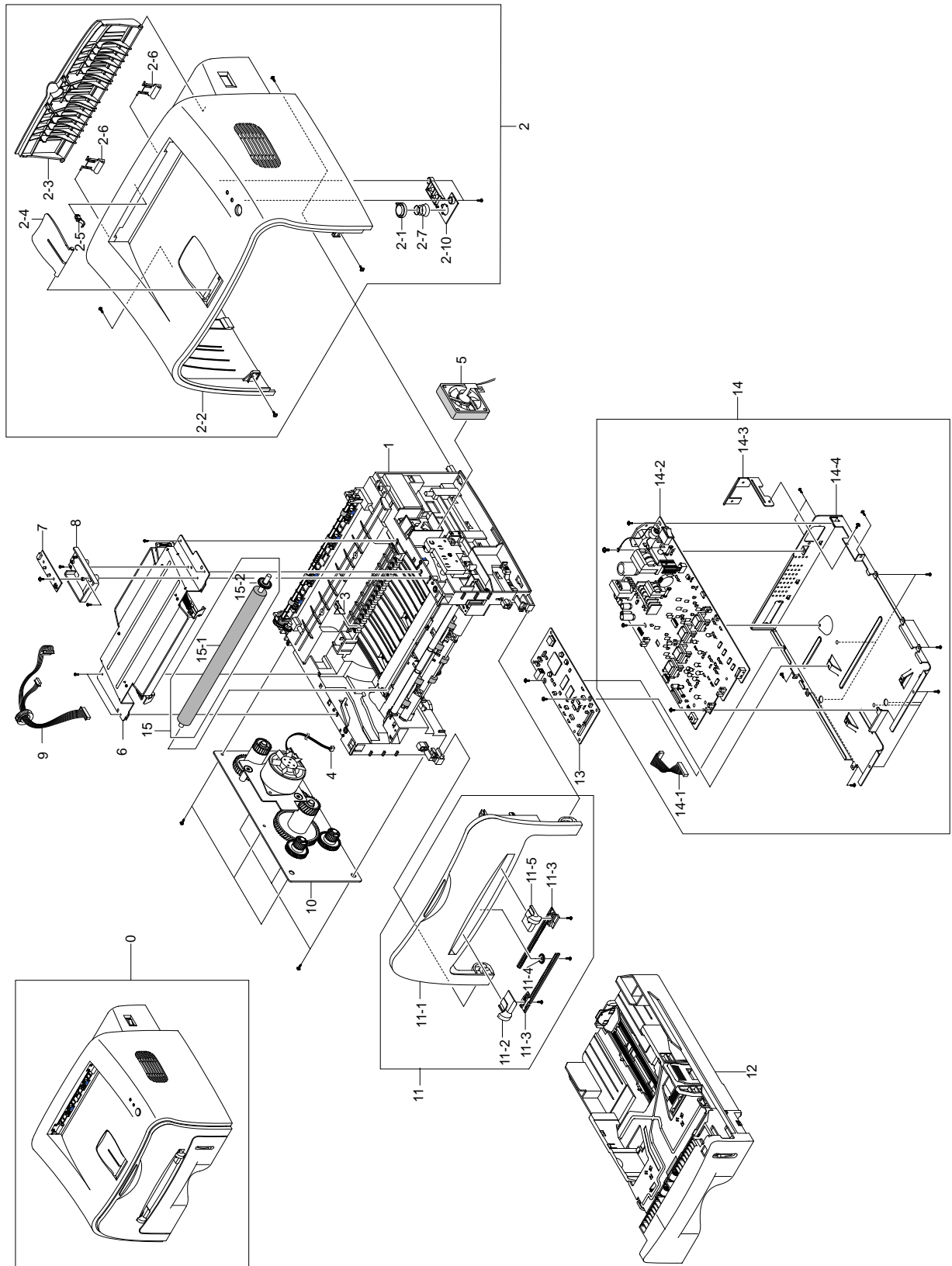


5. Exploded Views and Parts List

Update on January .10.2003 by SEC

- 5.1 Main Assembly Exploded view page(5-2)
- 5.2 Frame Assembly Exploded view page(5-4)
- 5.3 Drive Unit Exploded view page(5-7)
- 5.4 Fuser Unit Exploded view page(5-8)
- 5.5 Cassette Unit Exploded view page(5-10)

5.1 Main Assembly Exploded view



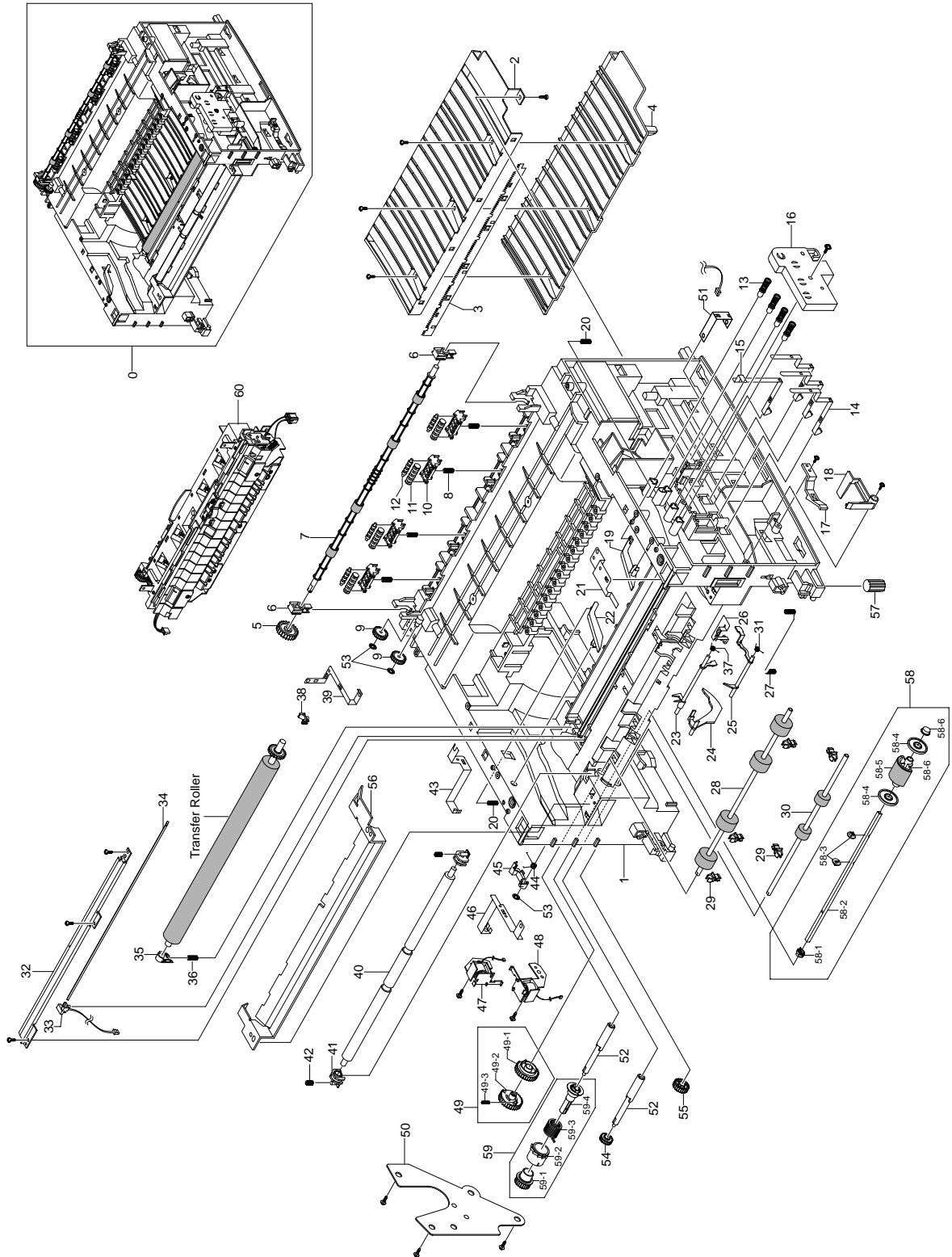
< Main Assembly Parts List >

SA. : Service Available

NO	DESCRIPTION	SEC CODE	Q'TY	SA	REMARK
0	SET				
1	ELA UNIT-FRAME LOWER, 110V, XRX	JC96-02732A	1	O	110V
	ELA UNIT-FRAME LOWER, 220V, XRX	JC96-02734A	1	O	220V
2	ELA HOU-COVER TOP	JC97-01748D	1	O	
2-1	LENS LED-LED	JC67-00026A	1	X	
2-2	COVER-TOP	JC63-00102A	1	X	
2-3	COVER-REAR	JC63-00101A	1	X	
2-4	PMO-STACKER_RX	JC72-00973A	1	X	
2-5	PMO-BUSHING_F/DOWN	JC72-00387A	1	X	
2-6	PMO-SUB STACKER	JC72-01001A	1	X	
2-7	SPRING-KEY	6107-001169	1	X	
2-8	KEY-ON LINE	JC64-00039A	1	X	
2-9	SCREW-TIPTITE	6003-000264	2	X	
3	PLATE-P-CHANNEL	JC61-00606A	1	O	
4	CBF HARNESS-MOTOR	JC39-00241A	1	O	
5	FAN-DC	JC31-00027A	1	O	
6	UNIT-LSU	JC59-00018A	1	O	
7	PBA MAIN-PANEL	JC92-01439A	1	O	
8	COVER PCB-M-PCB	JC63-00104A	1	O	
9	CBF HARNESS-LSU 1400	JC39-00242A	1	O	
10	ELA HOU-RX DRIVE 1400	JC96-02733A	1	O	
11	MEA UNIT-COVER FRONT, XEROX	JC97-01748D	1	O	P3120
	MEA UNIT-COVER FRONT, XEROX	JC97-01749K	1	O	P3130
11-1	COVER-FRONT	JC63-00103A	1	X	
11-2	ADJUST-MANUAL L	JC70-00302A	1	X	
11-3	ADJUST RACK-MANUAL	JC70-00304A	1	X	
11-4	GEAR-RACK_PINION	JC66-00387A	1	X	
11-5	ADJUST-MANUAL R	JC70-00303A	1	X	
11-6	SCREW-TIPTITE	6003-000264	3	X	
12	MEA ETC-CASSETTE 1400	TBD	1	O	
13	PBA MAIN-CONTROLLER,GDI	JC92-01426B	1	O	P3120
	PBA MAIN-CONTROLLER,PCL	JC92-01424B	1	O	P3130
14	MEA ETC-SHIELD ENGINE	JC96-02663A	1	X	
14-1	CBF HARNESS-ENGINE	JC39-00240A	1	O	P3120
	CBF HARNESS-ENGINE,	JC39-00240B	1	O	P3130
14-2	SMPS-HVPS	JC44-00046A	1	O	110V
	SMPS-HVPS	JC44-00047A	1	O	220V
14-3	BRACKET-INLET	JC61-00601A	1	O	
14-4	SHIELD-ENGINE	JC63-00107A	1	O	
14-5	SCREW-TIPTITE	6003-000264	6	X	
14-6	SCREW-TIPTITE	6003-000119	2	X	
14-7	SCREW-TIPTITE	6003-000301	1	X	
15	TRANSFER ROLLER ASS'Y	TBD	1	O	
15-1	ROLLER-TRANSFER ROLLER	JC66-00528A	1	X	
15-2	GEAR-TRANSFER	JC66-00395A	1	X	

O: Service available X: Service not available

5.2 Frame Assembly Exploded view



< Frame Assembly Parts List >

SA. : Service Available

NO	DESCRIPTION	SEC CODE	Q'TY	SA	REMARK
0	ELA UNIT-FRAME ASSY	JC96-02732A	1	X	
1	FRAME-Base	JC61-00579A	1	X	
2	GUIDE-TR	JC61-00607A	1	X	
3	PLATE-SAW	JC61-00604A	1	X	
4	GUIDE-TR RIB	JC61-00594A	1	X	
5	GEAR-EXIT F/DOWN	JC66-00038A	1	X	
6	MEC-BEARING,EXIT	JC75-10529A	2	X	
7	ROLLER-EXIT_F/DOWN	JC66-00378A	1	X	
8	SPRING-EXIT_F/DOWN	6107-001163	1	X	
9	PMO-GEAR_EXIT_DRV16	JC72-00143A	2	X	
10	HOLDER-EXIT_F/DOWN	JC61-00582A	4	X	
11	PMO-ROLLER_EXIT,MAIN	JC72-41081A	4	X	
12	PMO-ROLLER_EXIT,FR	JC72-41082A	4	X	
13	MEC-TERMINAL	JC75-00049A	4	O	
14	IPR-TERMINAL CON	JC70-00312A	3	X	
15	IPR-TERMINAL CR	JC70-00313A	1	X	
16	HOUSING-TERMINAL	JC61-00592A	1	X	
17	PMO-LOCKER CST	JC72-00983A	1	X	
18	PMO-ACTUATOR CVR OPEN	JC72-00974A	1	O	
19	PMO-PLATE GUIDE DEVE_R	JC72-00985A	1	X	
20	SPRING-GUIDE DEVE	JC61-00038A	2	X	
21	IPR-GROUND_ROLLER IDLE	JC70-00315A	1	X	
22	PMO-PLATE GUIDE DEVE_L	JC72-00984A	1	X	
23	PMO-ACTUATOR FEED	JC72-00976A	1	O	
24	PMO-ACTUATOR EMPTY	JC72-00975A	1	O	
25	PMO-ACTUATOR MANUAL	JC72-00977A	1	O	
26	IPR-GROUND EARTH TR	JC70-00309A	1	X	
27	SPRING-TR_R	6107-001162	1	X	
28	ROLLER-FEED ROLLER1	JC66-00526A	1	X	
29	PMO-BUSHING TX	JC72-00382A	5	X	
30	ROLLER-FEED	JC66-00598A	1	O	
31	SPRING-ACT,MANUAL	6107-001165	1	X	
32	IPR-EARTH TRANSFER	JC70-00307A	1	X	
33	HOLDER-PTL	JC61-00583A	1	O	
34	LENS-PTL	JC67-00027A	1	O	
35	BUSH-TR_L	JC61-00588A	1	X	
36	SPRING-TR_L	JC61-00047A	1	X	
37	SPRING-ACT_FEED	6107-001164	1	X	
38	PMO-BUSHING TR_L	JC72-00102A	1	X	
39	IPR-GROUND FUSER	JC70-00310A	1	X	

O: Service available X: Service not available

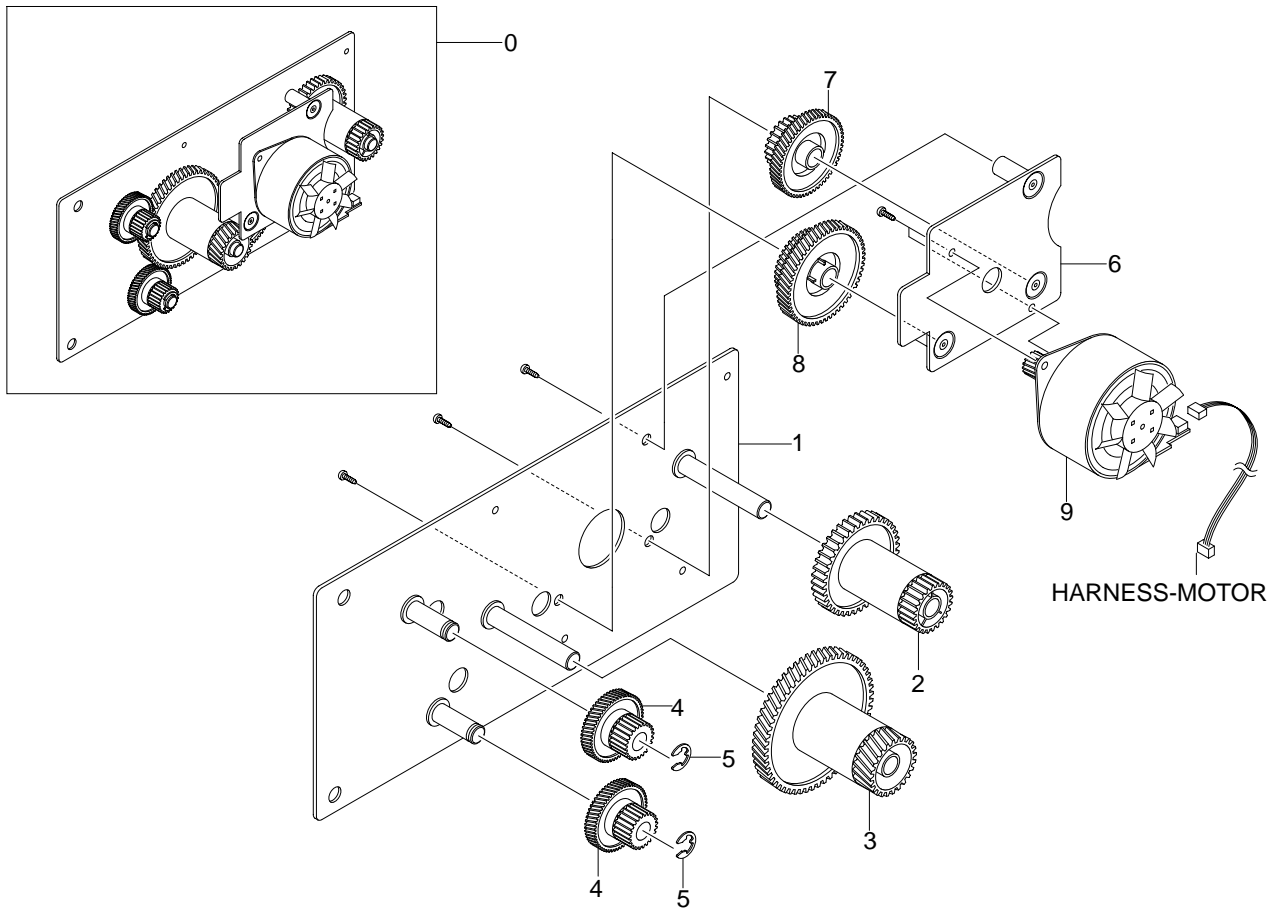
< Frame Assembly Parts List Cont. >

SA. : Service Available

NO	DESCRIPTION	SEC CODE	Q'TY	SA	REMARK
40	SHAFT-FEED IDLE	JC66-00527A	1	X	
41	BUSH-FEED IDLE	JC61-00585A	1	X	
42	SPRING-FEED IDLE	JC61-70958A	1	X	
43	IPR-P_GROUND_DRIVE2	JC70-00335A	1	X	
44	SPRING-CAM PICK-UP	6107-001170	1	X	
45	CAM-PICK_UP	JC66-00377A	1	X	
46	IPR-GROUND DRIVE	JC70-00308A	1	X	
47	SOLENOID-HB (PICK-UP)	JC33-00009A	1	O	
48	SOLENOID-HB (MANUAL)	JC33-00010A	1	O	
49	TBD	TBD	1	X	
49-1	PMO-GEAR PICK_UP B	JC72-00980A	1	X	
49-2	PMO-GEAR PICK_UP A	JC72-00979A	1	X	
49-3	SPRING-PICK_UP GEAR	6107-001167	1	X	
50	BRACKET-FEED	JC61-00602A	1	X	
51	IPR-GROUND TR	JC70-00311A	1	X	
52	SHAFT-FEED	JC66-00398A	1	X	
53	RING-CS	6044-000001	3	X	
54	GEAR-FEED 2	JC66-00394A	1	X	
55	GEAR-IDLE 23	JC66-00396A	1	X	
56	GUIDE-PAPER	JC61-00718A	1	X	
57	RMO-RUBBER FOOT	JC73-00027A	2	X	
58	PICK_UP ASS'Y	TBD	1	O	
58-1	BUSH-PICK_UP_L	JC61-00586A	1	X	
58-2	SHAFT-PICK_UP	JC66-00399A	1	X	
58-3	STOPPER-PICK_UP	JC61-00593A	2	X	
58-4	PMO-IDLE PICK_UP	JC72-00982A	2	X	
58-5	SPONGE-ROILLER PICK UP	JC72-01231A	1	X	
58-6	BUSH-PICK_UP_R	JC61-00587A	1	X	
58-7	HOUSING-PICK_UP	JC61-00591A	1	X	
59	CLUTCH ASS'Y(FEED ASS'Y)	TBD	1	O	
59-1	GEAR-FEED 1	JC66-00393A	1	X	
59-2	PMO-COLLAR_SPRING	JC72-00978A	1	X	
59-3	SPRING-CLUTCH	6107-001164	1	X	
59-4	PMO-HUB CLUTCH	JC72-00981A	1	X	
60	FUSER	TBD	1	O	

O: Service available X: Service not available

5.3 Driver Unit Exploded view



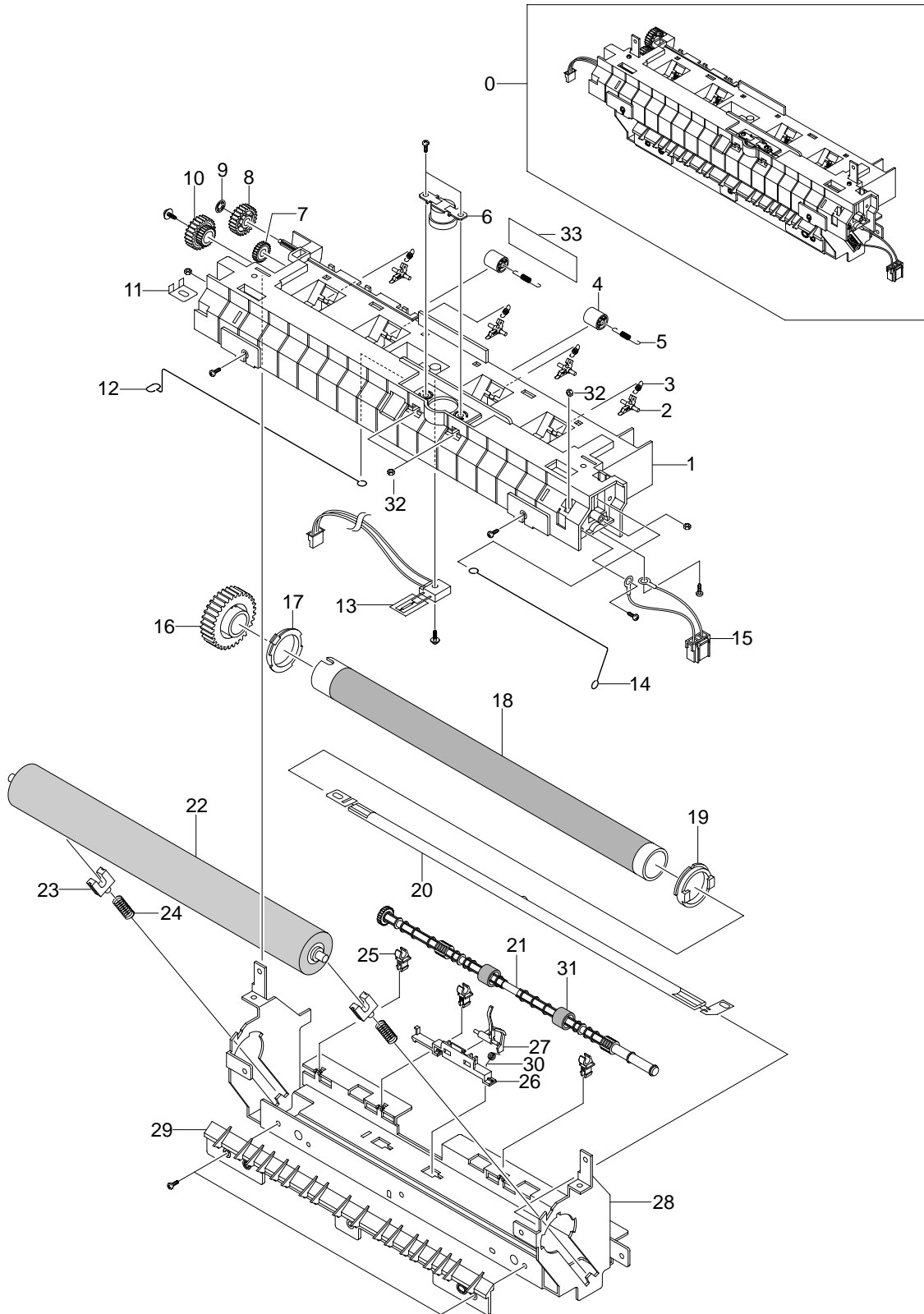
< Driver Unit Parts List >

SA. : Service Available

NO	DESCRIPTION	SEC CODE	Q'TY	SA	REMARK
0	ELA HOU-RX DRIVE 1400	JC96-02733A	1	O	
1	BRACKET-GEAR 1400	JC61-00598A	1	X	
2	GEAR-FUSER DRV	JC66-00388A	1	X	
3	GEAR-RDCN Z132/19	JC66-00391A	1	X	
4	GEAR-PICK_UP DRV	JC66-00389A	2	X	
5	RING-E	6044-000231	2	X	
6	BRACKET-MOTOR 1400	JC61-00599A	1	X	
7	GEAR-RDCN Z7128	JC66-00390A	1	X	
8	GEAR-RDCN Z7322	JC66-00392A	1	X	
9	MOTOR STEP-7.5	JC31-00028A	1	X	

O: Service available X: Service not available

5.4 Fuser Unit Exploded view



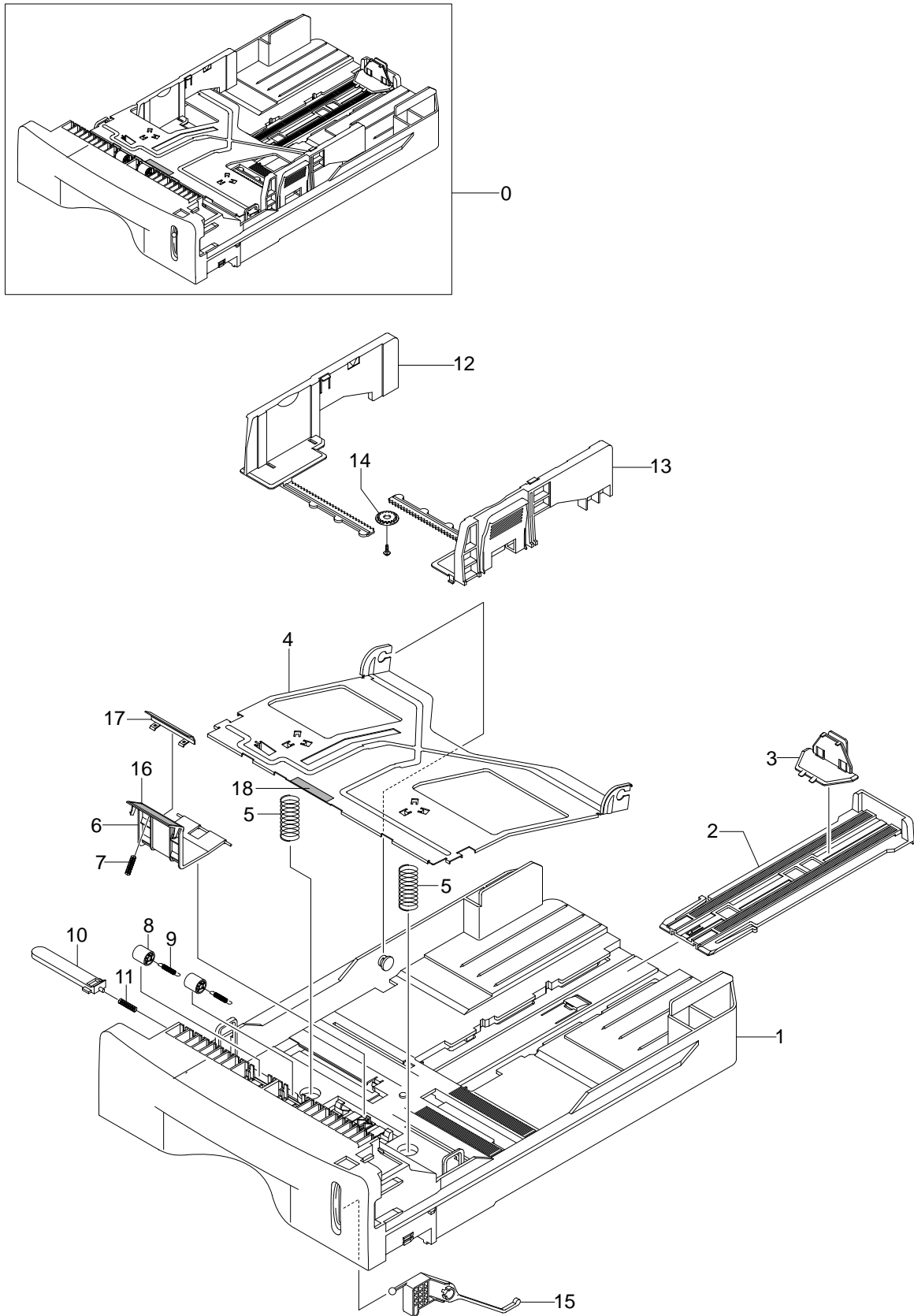
< Fuser Unit Parts List >

SA. : Service Available

NO	DESCRIPTION	SEC CODE	Q'TY	SA	REMARK
0	ELA HOU-FUSER 110V	TBD	1	O	110V
	ELA HOU-FUSER 220V	TBD	1	O	220V
1	COVER-FUSER	JC63-00105A	1	X	
2	HOLDER-PLATE CLAW	JC61-00584A	4	X	
3	SPRING ETC-CLAW	JC61-00064A	4	X	
4	PMO-ROLLER EXIT	JC72-60059A	2	X	
5	SPRING-EXIT F_UP	JC61-70976A	2	X	
6	THERMOSTAT-150	JC47-00005A		O	
7	PMO-GEAR_EXIT_DRV16	JC72-00143A	1	X	
8	GEAR-IDLE 23	JC66-00396A	1	X	
9	RING-CS	6044-000001	1	X	
10	GEAR-RDCN 2515	JC66-00397A	1	X	
11	IPR-ELECTRODE_LAMP	JC70-00275A	1	X	
12	ELECTRODE-WIRE_L	JC70-00450A	1	X	
13	THERMISTER-NTC HF	1404-001298	1	O	
14	ELECTRODE-WIRE_R	JC70-00449A	1	X	
15	CBF HARNESS-FUSER(110V)	JC39-00239A	1	O	110V
	CBF HARNESS-FUSER(220V)	JC39-00238A	1	O	220V
16	GEAR-FUSER,Z37	JC66-00564A	1	O	
17	BUSH-HR_L	JC61-00589A	1	X	
18	NPR-ROLLER_HEAT	JC66-00601A	1	O	
19	BUSH-HR_R	JC61-00590A	1	X	
20	LAMP-HALOGEN(110V)	TBD	1	O	110V
	LAMP-HALOGEN(220V)	TBD	1	O	220V
21	ROLLER-EXIT F_UP	JC66-00380A	1	X	
22	ROLLER-PRESSURE	JC66-00600A	1	O	
23	BEARING-PRESSURE	JC66-10901A	2	X	
24	SPRING-PR(1400)	6107-001168	2	X	
25	PMO-BUSHING TX	JC72-00382A	3	X	
26	HOLDER-ACTUATOR	JC61-00581A	1	X	
27	PMO-ACTUATOR_EXIT	JC72-00987A	1	X	
28	IPR-FRAME_FUSER	JC70-00317A	1	X	
29	GUIDE-INPUT	JC61-00595A	1	X	
31	RMO-RUBBER_EXIT	JC73-00017A	2	X	
33	LABEL(P)-CAUTION, HOT_FUSER	JC68-30928D	1	X	
30	SPRING ETC-ACT_EXIT	6107-001165	1	X	
32	NUT-HEXAGON	6021-000222	5	X	
??	NEW-CLAW ASSY	TBD	1	X	
??	PLATE-CLAW	JC61-00605A	4	X	

O: Service available X: Service not available

5.5 Cassette Unit Exploded view



< Cassette Unit Parts List >

SA. : Service Available

NO	DESCRIPTION	SEC CODE	Q'TY	SA	REMARK
0	CASSETTE	JC97-01750A	1	O	
1	FRAME-CASSETTE	JC61-00578A	1	X	
2	PMO-EXTENSION LARGE	JC72-00970A	1	X	
3	PMO-EXTENSION SMALL	JC72-00971A	1	X	
4	PLATE-KNOCK_UP	JC61-00603A	1	X	
5	SPRING-KNOCK_UP	6107-001166	2	X	
6	HOLDER-PAD	JC61-00580A	1	X	
7	SPRING-FRICTION PAD	JC61-70911A	1	X	
8	ROLLER-IDLE FEED	JC66-00529A	2	X	
9	SPRING-FEED	6107-001047	2	X	
10	PMO-PLATE_LOCKER	JC72-00972A	1	X	
11	SPRING-LOCKER	JG61-70531A	1	X	
12	ADJUST-CASSETTE_L	JC70-00300A	1	X	
13	ADJUST-CASSETTE_R	JC70-00301A	1	X	
14	GEAR-PINION	JG66-40003A	1	X	
15	INDICATOR-LEVER INDICATOR	JC64-00040A	1	X	
16	RPR-FRICTION PAD	JC73-00140A	1	X	
17	IPR-PLATE PAD	JC70-00314A	1	X	
18	RPR-PAD CASSETTE	JC73-00141A	3	X	

O: Service available X: Service not available