



## *Parts Catalog* - ML-551x/651x Series



### 1. Speed

- ML-551x series : 55 ppm in Letter
- ML-651x series : 65 ppm in Letter

### 2. Printing Resolution

- Max. 1200x1200 dpi effective output

### 3. Processor

- SPGPV4 700 Mhz

### 4. Printer Language Emulations

- PCL, PS3

### 5. Memory

- 256 MB default
- 256 MB / 512 MB (Optional Memory)

### 6. Interfaces

- One USB port, Two USB Host Port
- 1 GB Ethernet
- One IEEE 802.11 b,g,n wireless LAN (Optional)

### 7. Various optional units

- Finisher, Mailbox, SCF, HCF, HDD etc.

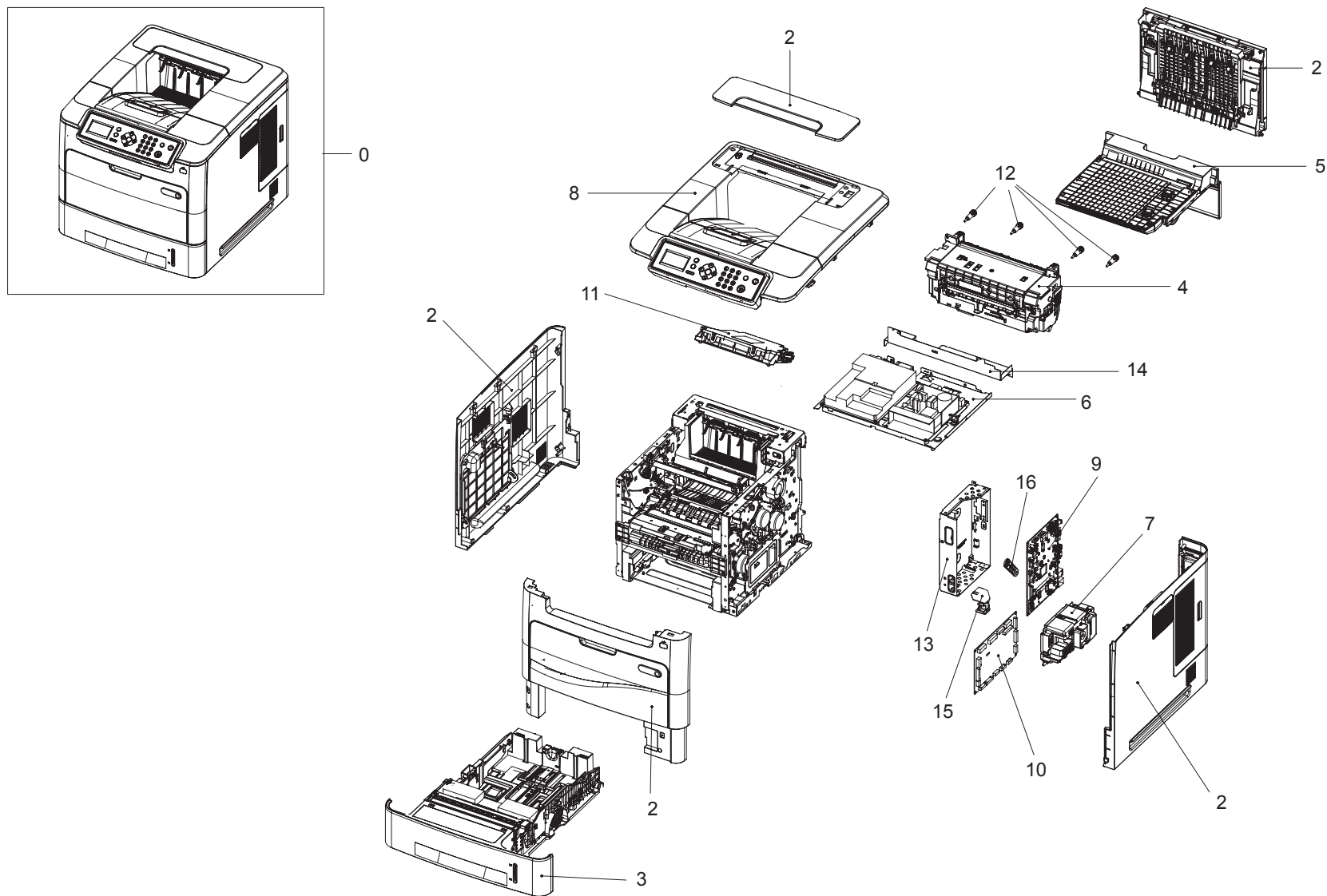
**This Parts Catalog is a property of Samsung Electronics Co.,Ltd.  
Any unauthorized use of this manual can be punished under  
applicable International and/or domestic law.**

# Exploded View and Parts List

## Contents

0. Main .....	4
1. COVER .....	6
1.1. COVER-REAR.....	8
2. COVER-TOP .....	10
3. DUPLEX .....	12
4. FUSER .....	14
5. FRAME .....	16
5.1. FRAME MAIN .....	18
5.1.1. EXIT .....	20
5.1.2. MP .....	22
5.1.3. DRIVE FUSER & DRIVE FEED .....	24
5.1.4. DRIVE MAIN .....	26
5.1.5. FRAME BASE.....	28
5.1.5.1. FRAME-PICK UP .....	30
5.1.5.2. FRAME MIDDLE .....	32
6. CASSETTE .....	34
7. FRAME POWER SUPPLY & FRAME BOARD FUSER DRIVE .....	38
8. SCF .....	40
9. HCF .....	44
10. Finisher .....	58
11. Main Box .....	72

# 0. Main



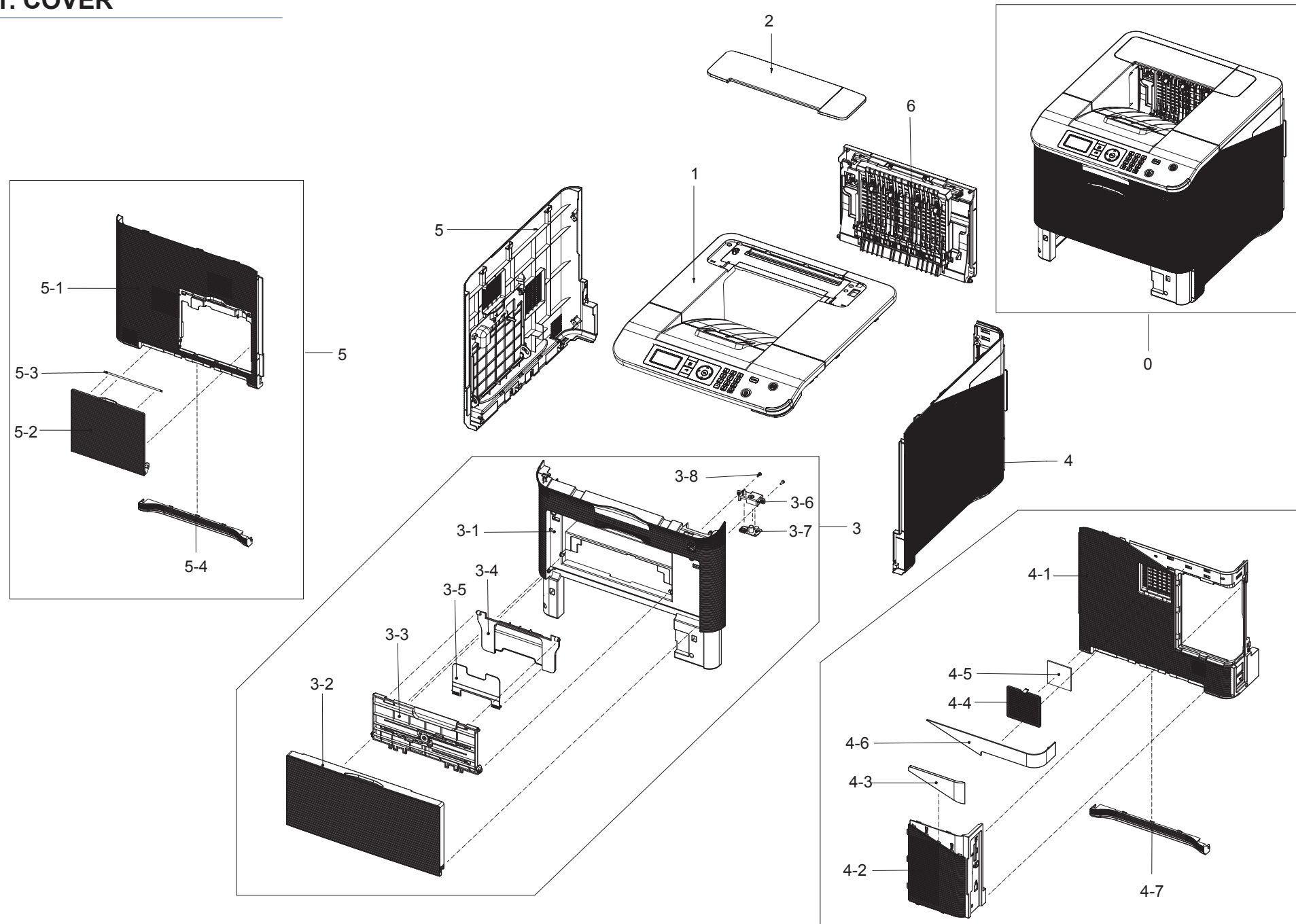
## Main Parts List

SA : SERVICE AVAILABLE, SNA : SERVICE not AVAILABLE

Drawer#	SEC_Code	Description	QT'y	Service	Remark
1	JC93-00241B	FRAME	1	SNA	
2	JC95-01294A	COVER	1	SNA	Refer to 1. COVER
3	JC90-01057A	CASSETTE	1	SA	Wave Type
3	JC90-01026A	CASSETTE	1	SA	Flat Type
4	JC91-01104A	FUSER	1	SA	110V
4	JC91-01105A	FUSER	1	SA	220V
5	JC90-01018B	DUPLEX	1	SA	
6	JC93-00270A	FRAME-POWER SUPPLY	1	SNA	110V
6	JC93-00270B	FRAME-POWER SUPPLY	1	SNA	220V
7	JC93-00277A	FRAME-BOARD FUSER DRIVE	1	SNA	110V
7	JC93-00277B	FRAME-BOARD FUSER DRIVE	1	SNA	220V
8	JC95-01297A	COVER-TOP	1	SNA	6510ND
8	JC95-01297B	COVER-TOP	1	SNA	5510ND

Drawer#	SEC_Code	Description	QT'y	Service	Remark
8	JC95-01297C	COVER-TOP	1	SNA	5510N
8	JC95-01297D	COVER-TOP	1	SNA	6512ND
8	JC95-01297E	COVER-TOP	1	SNA	5512ND
9	JC92-02280B	PBA-MAIN	1	SA	651x series
9	JC92-02280A	PBA-MAIN	1	SA	551x series
10	JC92-02281A	PBA-ENGINE	1	SA	
11	JC97-03777A	LSU	1	SA	651x series
11	JC97-03787A	LSU	1	SA	551x series
12	JC64-00186C	HANDLE-M_FIX FUSER	4	SA	
13	JC63-02643A	SHIELD-MAIN_CTRL	1	SNA	
14	JC61-03811A	BRACKET-BOTTOM_FUSER	1	SA	
15	JC61-03845A	HOLDER-HARNESS_DRIVE	1	SA	
16	JC66-02628A	LEVER-COUPLER	1	SA	

# 1. COVER



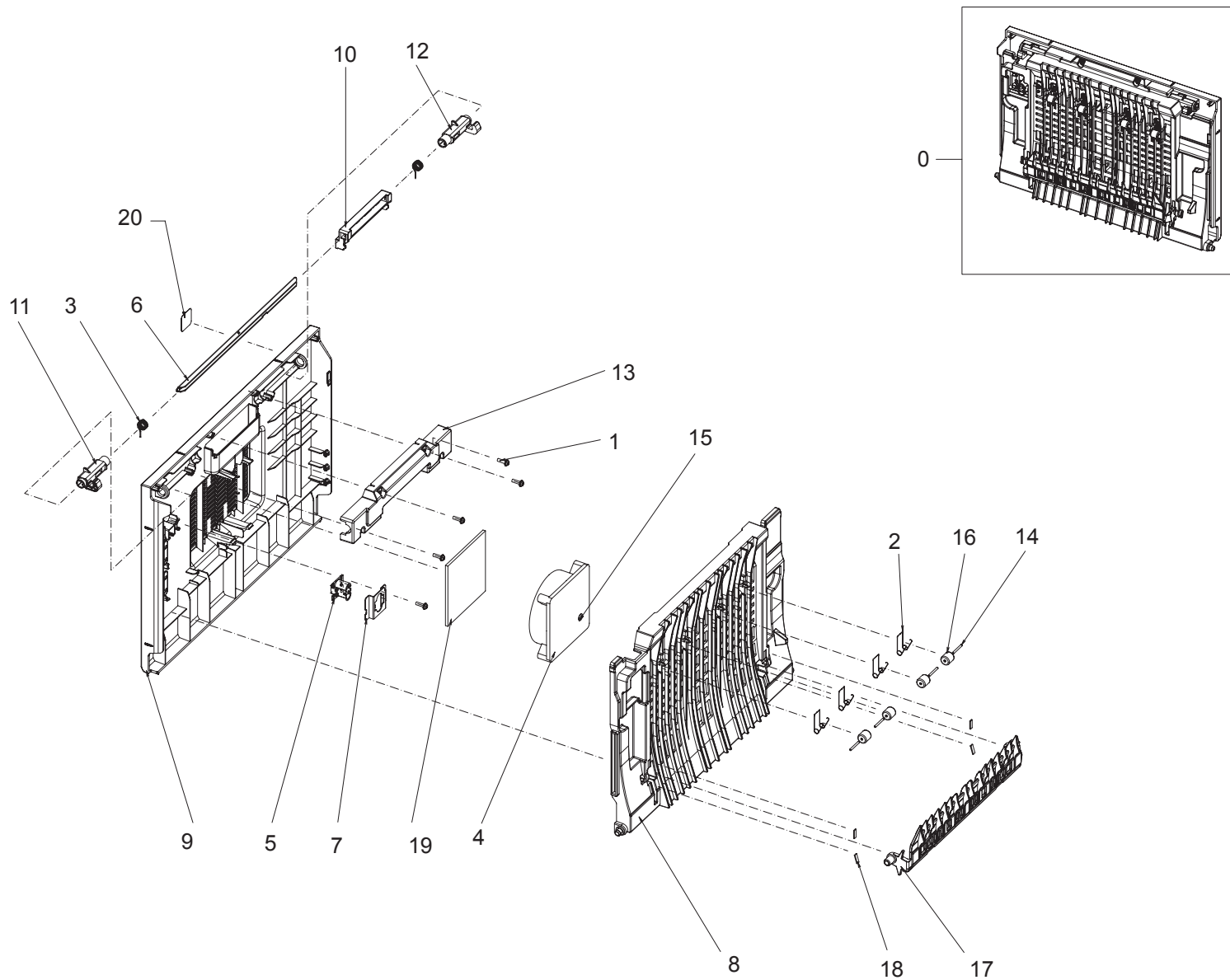
## COVER Parts List

SA : SERVICE AVAILABLE, SNA : SERVICE not AVAILABLE

Drawer#	SEC_Code	Description	QT'y	Service	Remark
0	JC95-01294A	COVER	1	SNA	Wave Type
0	JC95-01331A	COVER	1	SNA	Flat type
1	JC95-01297A	COVER-TOP	1	SNA	Refer to 2
2	JC95-01322A	COVER-OPTION	1	SA	
3	JC95-01296A	COVER-FRONT	1	SA	Wave Type
3	JC95-01328A	COVER-FRONT	1	SA	Flat type
3-1	JC63-02853A	COVER-FRONT	1	SNA	Wave Type
3-1	JC63-03060A	COVER-FRONT	1	SNA	Flat type
3-2	JC63-02859A	COVER-MP	1	SNA	Wave Type
3-2	JC63-03063A	COVER-MP	1	SNA	Flat type
3-3	JC90-01016B	MP-TRAY	1	SA	
3-4	JC63-02096C	TRAY-EXTENSION_MP	1	SA	
3-5	JC61-02804C	STACKER-MP	1	SNA	
3-6	JC61-03912A	HOLDER-USB_HOST	1	SNA	
3-7	JC92-02284A	PBA-USB HOST	1	SA	
3-8	6003-000196	SCREW-TAPTYPE	4	SA	
4	JC95-01298A	COVER-RIGHT	1	SA	Wave Type
4	JC95-01329A	COVER-RIGHT	1	SA	Flat type

Drawer#	SEC_Code	Description	QT'y	Service	Remark
4-1	JC63-02862A	COVER-RIGHT	1	SNA	Wave Type
4-1	JC63-03064A	COVER-RIGHT	1	SNA	Flat type
4-2	JC63-02851A	COVER-CONTROL_BOX	1	SNA	
4-3	JC63-02852A	COVER-CONTROL_BOX DUMMY	1	SNA	
4-4	JC63-02857A	COVER-RIGHT_FAN	1	SNA	
4-5	JC62-00759A	SEAL-FILTER RIGHT	1	SA	
4-6	JC63-02863A	COVER-RIGHT_DUMMY	1	SNA	
4-7	JC63-02864A	COVER-HANDLE	1	SNA	Wave Type
4-7	JC63-03061A	COVER-HANDLE	1	SNA	Flat type
5	JC95-01299A	COVER-LEFT	1	SA	Wave Type
5	JC95-01330A	COVER-LEFT	1	SA	Flat type
5-1	JC63-02865A	COVER-LEFT	1	SNA	Wave Type
5-1	JC63-03062A	COVER-LEFT	1	SNA	Flat type
5-2	JC63-02858A	COVER-WTB	1	SNA	
5-3	JC66-00661A	SHAFT-EXIT IDLE	1	SNA	
5-4	JC63-02864A	COVER-HANDLE	1	SNA	
6	JC95-01295A	COVER-REAR	1	SA	Refer to 1.1

# 1.1 COVER-REAR





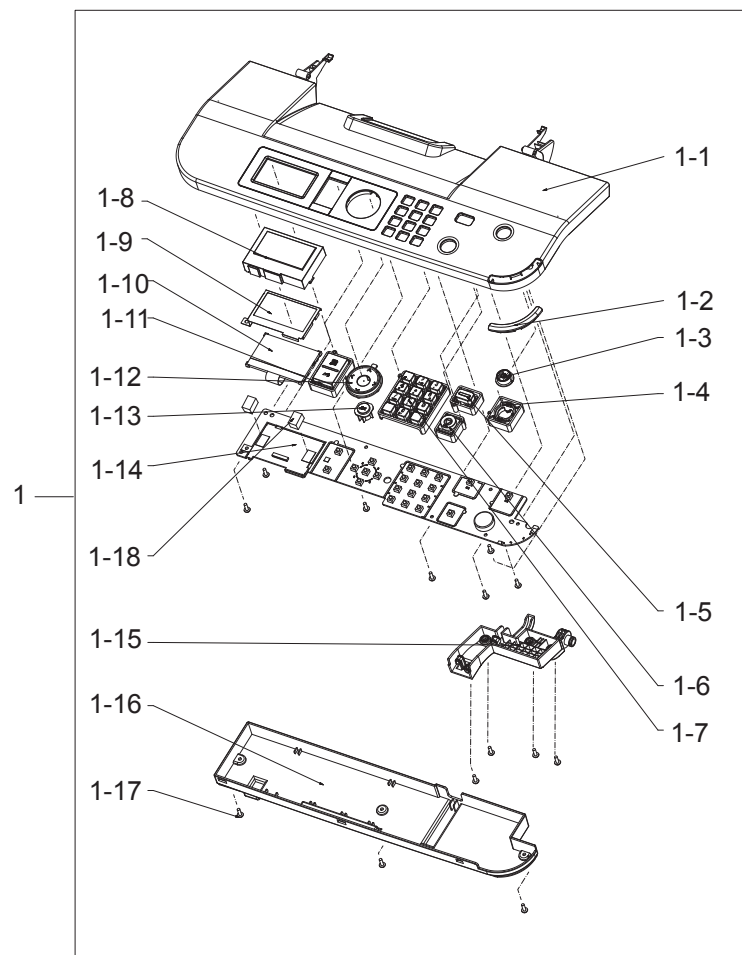
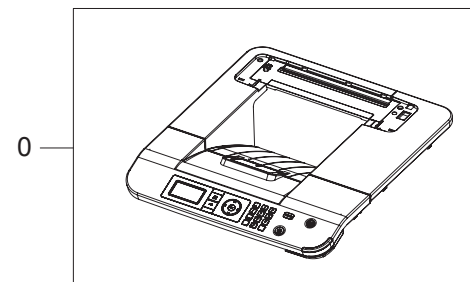
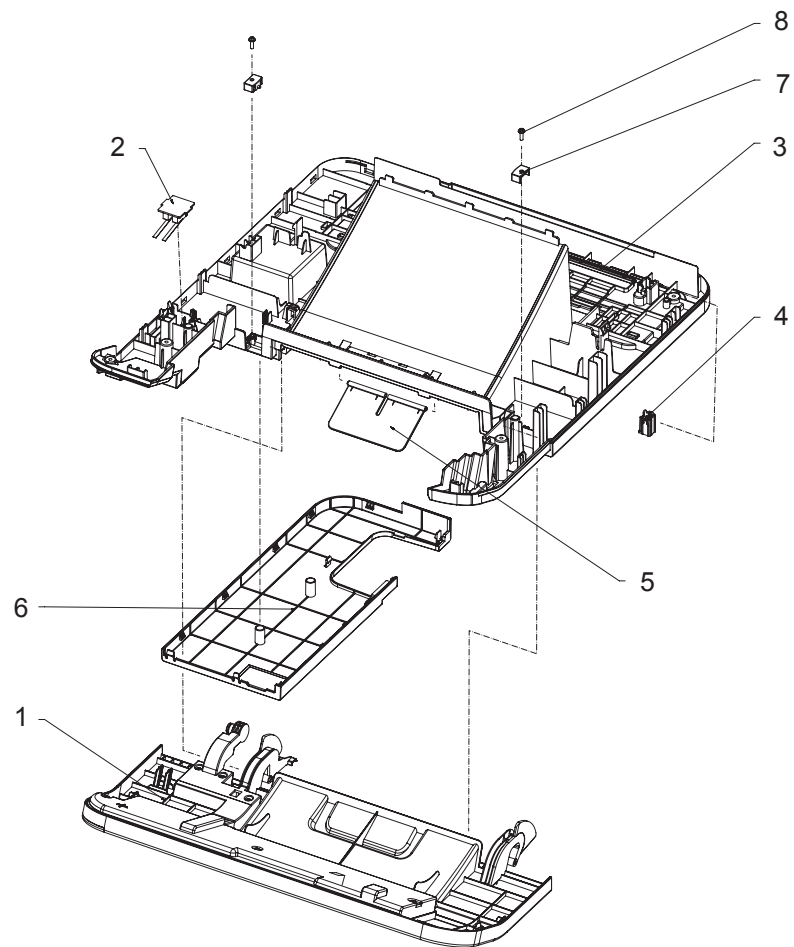
## COVER-REAR Parts List

SA : SERVICE AVAILABLE, SNA : SERVICE not AVAILABLE

Drawer#	SEC_Code	Description	QT'y	Service	Remark
0	JC95-01295A	COVER-REAR	1	SA	
1	6003-000196	SCREW-TAPTYPE	5	SA	
2	6107-001160	SPRING-TS	4	SA	
3	6107-001268	SPRING-TS	2	SA	
4	JC31-00141A	FAN	1	SA	
5	JC39-00993A	HARNES-REAR_JOINT_FN	1	SNA	
6	JC61-01404A	BRACKET-P-HANDLE SCF	1	SNA	
7	JC61-02622A	BRACKET-FEMALE	1	SNA	
8	JC61-03910A	GUIDE-REAR	1	SA	
9	JC63-02676B	COVER-REAR	1	SA	
10	JC64-00420C	HANDLE-REAR COVER	1	SA	

Drawer#	SEC_Code	Description	QT'y	Service	Remark
11	JC64-00547A	LOCKER-REAR L	1	SA	
12	JC64-00548A	LOCKER-REAR R	1	SA	
13	JC61-03909B	HOLDER-LOCKER	1	SNA	
14	JC70-20901A	SHAFT	4	SNA	
15	JC68-01760A	LABEL-INFORMATION	1	SNA	
16	JC72-20902A	ROLLER	4	SA	
17	JC61-03911A	GUIDE-EXIT	1	SA	
18	JC66-00738A	DAMPER-PAD ADF_R2	4	SNA	
19	JC62-00753A	SEAL-FILTER REAR	1	SA	
20	JC68-02563A	LABEL-FUNCTION	1	SNA	

## 2. COVER-TOP



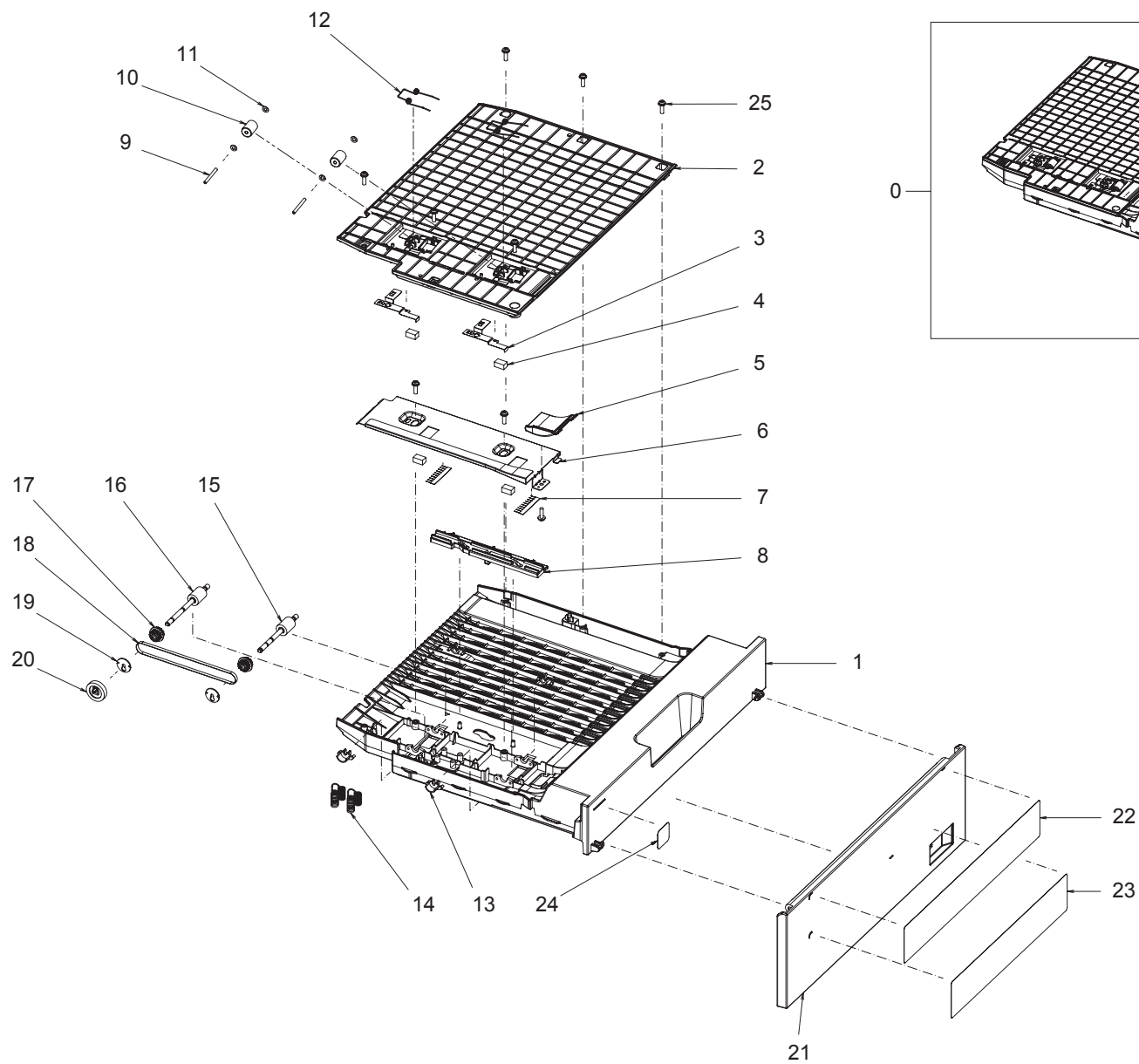
## COVER-TOP Parts List

SA : SERVICE AVAILABLE, SNA : SERVICE not AVAILABLE

Drawer#	SEC_Code	Description	QT'y	Service	Remark
0	JC95-01297A	COVER-TOP	1	SNA	6510ND
0	JC95-01297B	COVER-TOP	1	SNA	5510ND
0	JC95-01297C	COVER-TOP	1	SNA	5510N
0	JC95-01297D	COVER-TOP	1	SNA	6512ND
0	JC95-01297E	COVER-TOP	1	SNA	5512ND
1	JC97-03868A	OPE	1	SA	6510ND
1	JC97-03868B	OPE	1	SA	5510ND
1	JC97-03868C	OPE	1	SA	5510N
1	JC97-03868D	OPE	1	SA	6512ND
1	JC97-03868E	OPE	1	SA	5512ND
1-1	JC63-02866A	COVER-OPE	1	SA	6510ND
1-1	JC63-02866B	COVER-OPE	1	SA	5510ND
1-1	JC63-02866C	COVER-OPE	1	SA	5510N
1-1	JC63-02866D	COVER-OPE	1	SA	6512ND
1-1	JC63-02866E	COVER-OPE	1	SA	5512ND
1-2	JC67-00495A	LENS-STATUS	1	SNA	
1-3	JB64-00114E	KEY-POWER	1	SA	
1-4	JC64-00443A	KEY-POWER_B	1	SNA	
1-5	JC64-00600A	KEY-ECO	1	SNA	
1-6	JC64-00564B	KEY-STOP	1	SA	

Drawer#	SEC_Code	Description	QT'y	Service	Remark
1-7	JC64-00599A	KEY-NUMERICAL	1	SNA	
1-8	JC61-02792A	HOLDER-LCD	1	SNA	
1-9	JC63-02697A	GROUND-LCD	1	SNA	
1-10	JC07-00012A	LCD	1	SA	
1-11	JC64-00598A	KEY-MENU	1	SNA	
1-12	JC64-00601A	KEY-CIRCLE	1	SNA	
1-13	JC64-00566B	KEY-OK	1	SA	
1-14	JC92-02285A	PBA-OPE	1	SA	
1-15	JC63-02868A	COVER-OPE_HARNESS	1	SA	
1-16	JC63-02867A	COVER-OPE_LOWER	1	SA	
1-17	6003-000196	SCREW-TAPTYPE	14	SA	
1-18	JC72-01529A	SPONGE-LCD	2	SNA	
1-19	JC39-01400A	HARNESS-PANEL	1	SA	
2	JC92-02057A	PBA-COVER_OPEN SENSOR	1	SA	
3	JC63-02860A	COVER-TOP	1	SA	
4	JC66-01966A	LEVER-EXPANDER	1	SA	
5	JC72-01367E	PMO-STACKER_RX	1	SA	
6	JC63-02861A	COVER-TOP_DUMMY	1	SA	
7	JC61-00656A	STOPPER-M-HINGE OPEN	2	SA	
8	6003-000196	SCREW-TAPTYPE	2	SA	

### 3. DUPLEX



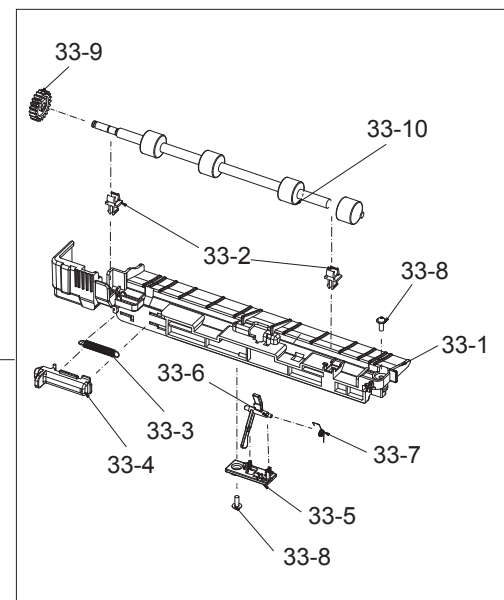
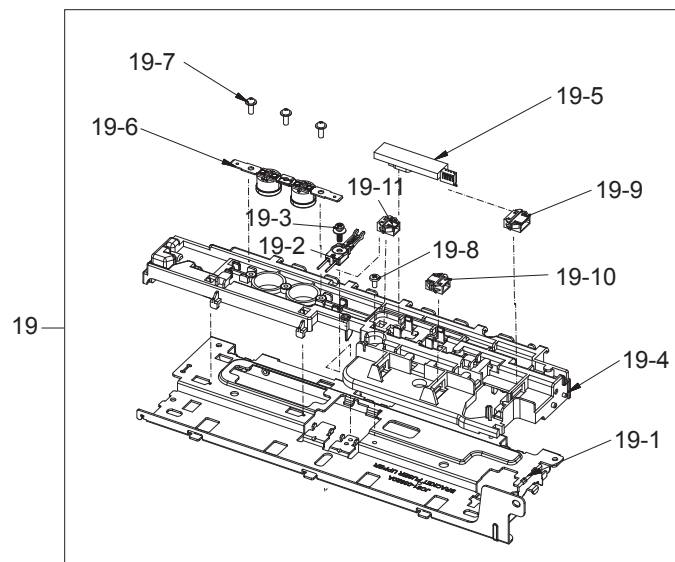
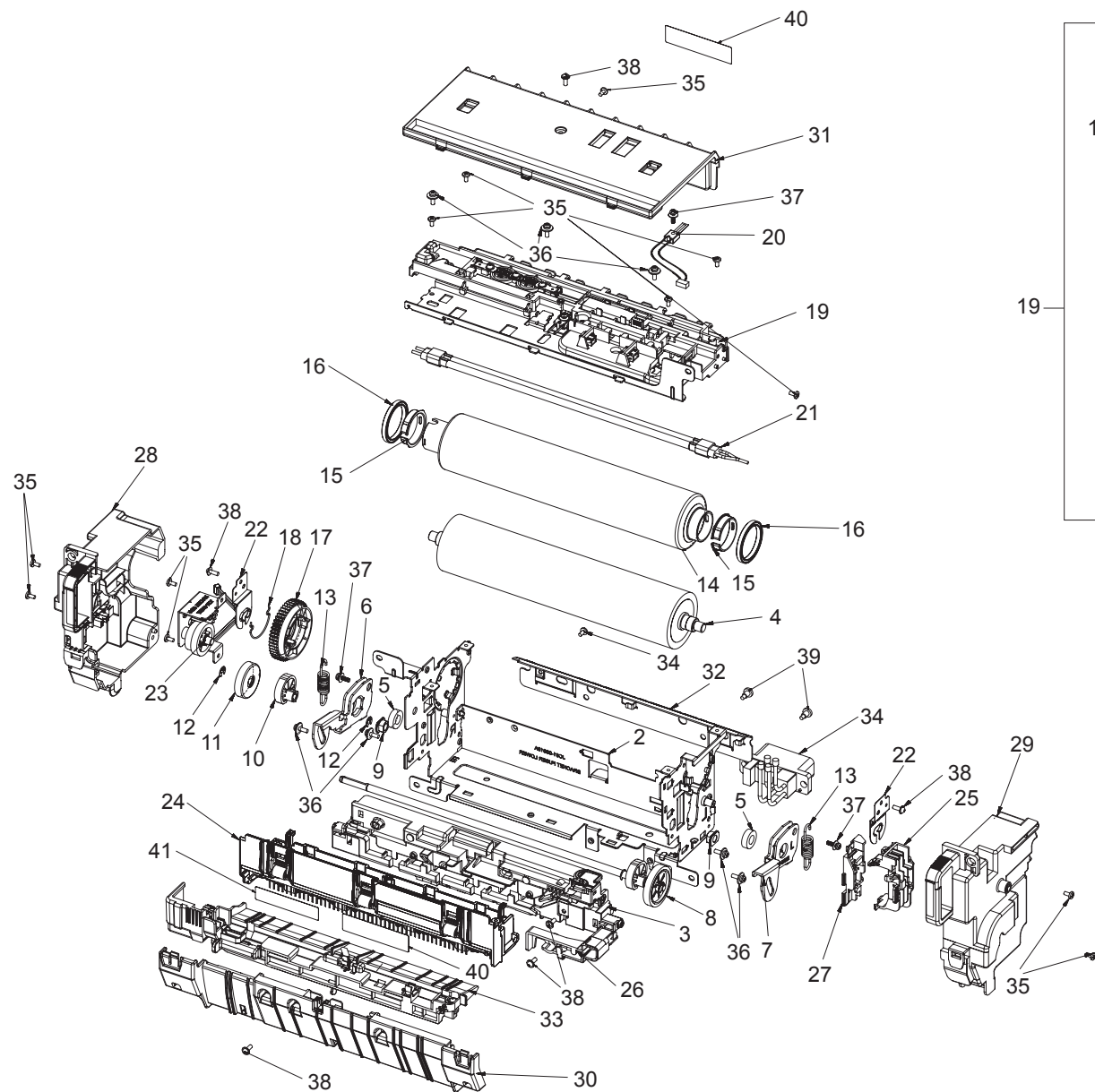
## DUPLEX Parts List

SA : SERVICE AVAILABLE, SNA : SERVICE not AVAILABLE

Drawer#	SEC_Code	Description	QT'y	Service	Remark
0	JC90-01018B	DUPLEX	1	SA	
1	JC61-03842B	FRAME-DUPLEX_LOWER	1	SNA	
2	JC61-03844A	FRAME-DUPLEX_UPPER	1	SNA	
3	JC63-02656A	GROUND-DUPLEX_GASKET	2	SNA	
4	JC63-02189A	GASKET-CONDUCTIVE	4	SNA	
5	JC61-04153A	GUIDE-PAPER_DUPLEX	1	SNA	
6	JC61-04154A	GUIDE-DUPLEX_ALIGN	1	SNA	
7	JC67-00205A	BRUSH-DUPLEX	2	SNA	
8	JC66-02837A	LEVER-ALIGN_DUPLEX	1	SNA	
9	JC66-00444A	SHAFT-IDLE ROLL, DUP	2	SNA	
10	JC66-02816A	ROLLER-IDLE_DUPLEX	2	SNA	
11	JK72-00058A	PCT	4	SNA	
12	6107-001667	SPRING-TS	2	SA	
13	JC61-00665A	BUSH-M-FEED, DUP	4	SA	

Drawer#	SEC_Code	Description	QT'y	Service	Remark
14	JC65-00017A	TERMINAL-P-GND DUP	2	SNA	
15	JC90-01051A	DUPLEX FEEDER-LOWER	1	SNA	
16	JC90-01052A	DUPLEX FEEDER-LOWER	1	SNA	
17	JC66-00899A	PULLEY-18_DUP	2	SNA	
18	6602-001084	BELT-TIMING GEAR	1	SA	
19	JC66-00900A	PULLEY-M-18-DUMMY_DUP	2	SNA	
20	JC66-00038A	GEAR-EXIT F/DOWN	1	SNA	
21	JC63-01942C	COVER-CASSETTE	1	SA	
22	JC68-02479A	LABEL-INFORMATION	1	SNA	
23	JC68-02480A	LABEL-PTT	1	SNA	
24	JC68-02564A	LABEL-FUNCTION	1	SNA	
25	6003-000196	SCREW-TAPTYPE	9	SA	

# 4. FUSER



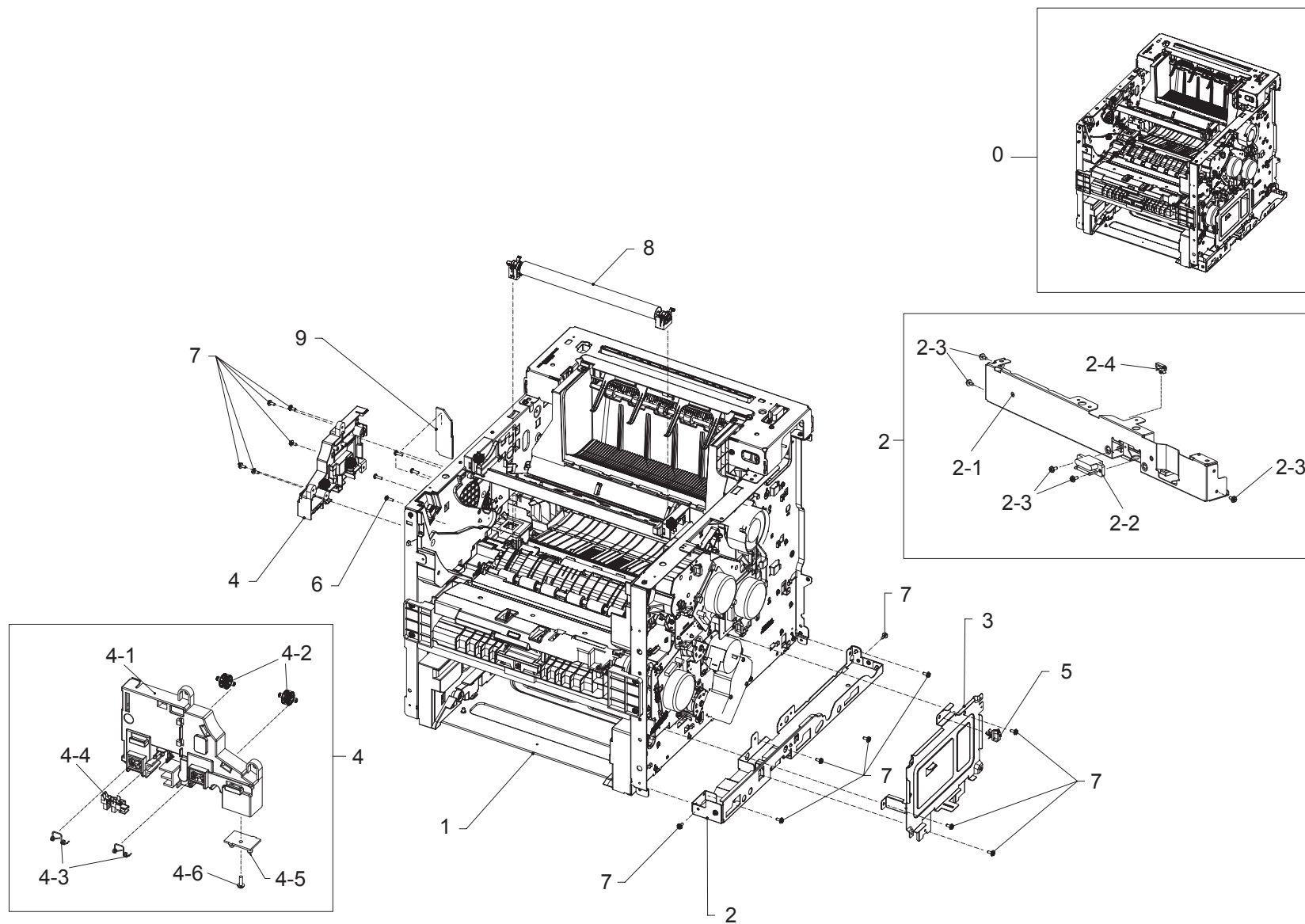
## FUSER Parts List

SA : SERVICE AVAILABLE, SNA : SERVICE not AVAILABLE

Drawer#	SEC_Code	Description	QT'y	Service	Remark
0	JC91-01104A	FUSER	1	SA	110V
0	JC91-01105A	FUSER	1	SA	220V
2	JC91-01020A	FUSER-BRACKET LOWER	1	SNA	
3	JC91-00994A	FUSER-ROLLER CLEAN	1	SA	
4	JC66-02718A	ROLLER-PRESSURE	1	SA	
5	6601-001341	BEARING-BALL	2	SA	
6	JC61-03826A	BRACKET-PR-R	1	SNA	
7	JC61-03829A	BRACKET-PR_L	1	SNA	
8	JC91-01015A	FUSER-CAM SHAFT	1	SNA	
9	JC61-00423A	BUSH-6_D	2	SA	
10	JC66-02619A	CAM-RELEASE-L	1	SNA	
11	JC61-03859A	HOLDER-SHAFT_ENCORDER	1	SNA	
12	6044-000125	RING-E	2	SA	
13	6107-002624	SPRING-ES	2	SA	
14	JC66-02727A	ROLLER-HEAT	1	SA	
15	JC61-03883A	BUSH-HR	2	SNA	
16	6601-001726	BEARING-BALL	2	SA	
17	JC66-02615A	GEAR-FUSER	1	SA	
18	6107-002620	SPRING-ETC	1	SNA	
19	JC91-00998A	FUSER-BRACKET UPPER	1	SA	
19-1	JC61-03820A	BRACKET-FUSER_UPPER	1	SNA	
19-2	1404-001565	THERMISTOR-NTC ASS'Y	1	SA	
19-3	6006-001193	SCREW-MACHINE	1	SNA	
19-4	JC61-03860A	HOLDER-THERMOSTAT	1	SNA	
19-5	1404-001453	THERMISTOR-NTC ASS'Y	1	SA	
19-6	4712-001085	THERMOSTAT	1	SA	
19-7	6002-000440	SCREW-TAPPING	3	SNA	
19-8	6003-000269	SCREW-TAPTYPE	1	SA	
19-9	3711-006699	CONNECTOR-HEADER	1	SNA	
19-10	3711-007521	CONNECTOR-HEADER	1	SA	
19-11	3711-007520	CONNECTOR-HEADER	1	SA	
20	1404-001567	THERMISTOR-NTC ASS'Y	1	SA	

Drawer#	SEC_Code	Description	QT'y	Service	Remark
21	4713-001521	LAMP-HALOGEN	1	SA	110V
21	4713-001522	LAMP-HALOGEN	1	SA	220V
22	JC61-03836A	BRACKET-LAMP_R	2	SNA	
23	JC91-00995A	FUSER-BRACKET GEAR	1	SA	
24	JC91-01032A	FUSER-GUIDE EXIT UPPER	1	SA	
25	JC61-03855A	HOLDER-HARNESS_AC	1	SNA	
26	JC61-03856A	HOLDER-HARNESS_AC_SUB	1	SNA	
27	JC61-03857A	HOLDER-HARNESS_DC	1	SNA	
28	JC91-00999A	FUSER-COVER RIGHT	1	SNA	
29	JC91-01021A	FUSER-COVER LEFT	1	SNA	
30	JC91-01001A	FUSER-COVER DUPLEX	1	SNA	
31	JC63-02651A	COVER-UPPER	1	SNA	
32	JC61-03920A	GUIDE-INPUT	1	SNA	
33	JC91-00997A	FUSER-GUIDE EXIT LOWER	1	SA	
33-1	JC61-03921A	GUIDE-EXIT_LOWER	1	SNA	
33-2	JC72-00382B	PMO-BUSHING FEED	2	SA	
33-3	6107-001237	SPRING-ES	1	SA	
33-4	JC61-01625A	HOLDER-M_REAR_LEVER	1	SNA	
33-5	JC61-03851A	HOLDER-ACTUATOR	1	SNA	
33-6	JC66-02625A	ACTUATOR-EXIT	1	SNA	
33-7	6107-002670	SPRING-ETC	1	SNA	
33-8	6002-000440	SCREW-TAPPING	2	SNA	
33-9	JC91-01022A	FUSER-ROLLER EXIT	1	SNA	
33-10	JC66-02757A	GEAR-EXIT-Z21	1	SA	
34	JC39-01394A	HARNESS-FUSER_FU	1	SA	
35	6003-000269	SCREW-TAPTYPE	13	SA	
36	6006-001078	SCREW-TAPTYPE	7	SA	
37	6006-001193	SCREW-MACHINE	3	SNA	
38	6002-000440	SCREW-TAPPING	6	SNA	
39	6009-001711	SCREW-SPECIAL	2	SNA	
40	JC68-01581C	LABEL-CAUTION	2	SNA	
41	JF68-10532B	LABEL(P)-BAR CODE	1	SNA	

# 5. FRAME





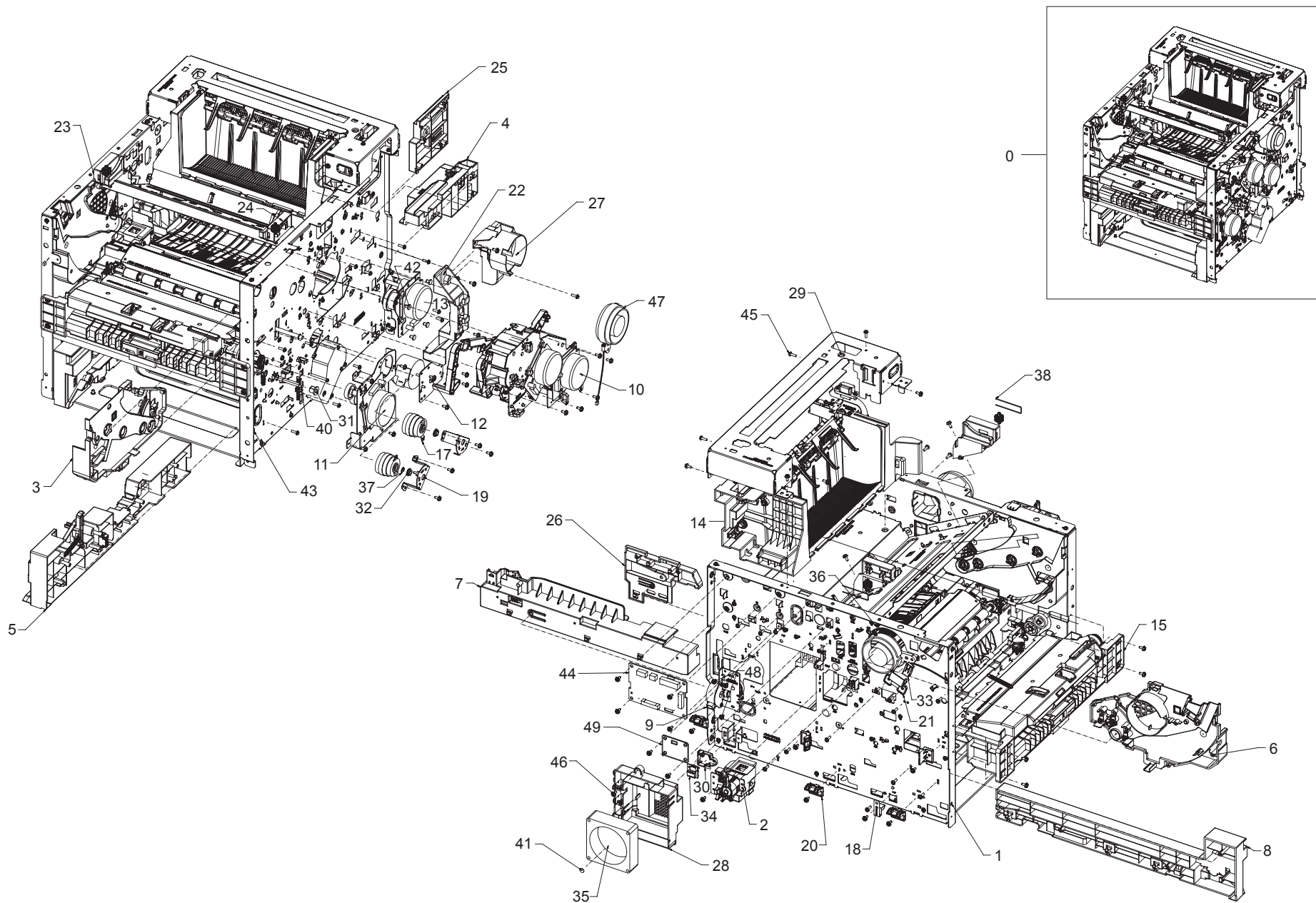
## FRAME Parts List

SA : SERVICE AVAILABLE, SNA : SERVICE not AVAILABLE

Drawer#	SEC_Code	Description	QT'y	Service	Remark
0	JC93-00241B	FRAME	1	SNA	
1	JC93-00273B	FRAME MAIN	1	SNA	Refer to 5.1
2	JC93-00276A	FRAME-RIGHT LOWER	1	SNA	
2-1	JC61-03817A	BRACKET-RIGHT_LOWER	1	SNA	
2-2	JC39-01375A	HARNESS-SCF	1	SA	
2-3	6009-001664	SCREW-HEX	5	SNA	
2-4	6502-001130	CABLE CLAMP	1	SA	
3	JC61-03818A	BRACKET-ENGINE_CONTROLLER	1	SNA	
4	JC93-00247A	FRAME-TERMINAL	1	SNA	
4-1	JC61-03907A	HOUSING-TERMINAL	1	SNA	

Drawer#	SEC_Code	Description	QT'y	Service	Remark
4-2	JC66-01143A	ROLLER-SLIDE B	2	SNA	
4-3	6107-002693	SPRING-TS	2	SNA	
4-4	0604-001325	PHOTO-INTERRUPTER	1	SA	
4-5	JC92-02340A	PBA-WASTE SENSOR TX	1	SA	
4-6	6003-000196	SCREW-TAPTYPE	1	SA	
5	6502-001132	SADDLE	1	SA	
6	6003-000196	SCREW-TAPTYPE	4	SA	
7	6009-001664	SCREW-HEX	14	SNA	
8	JC93-00271B	FRAME-ROLLER TRANSFER	1	SA	
9	JC72-01587A	SPONGE-SMPS	1	SNA	

## 5.1. FRAME MAIN



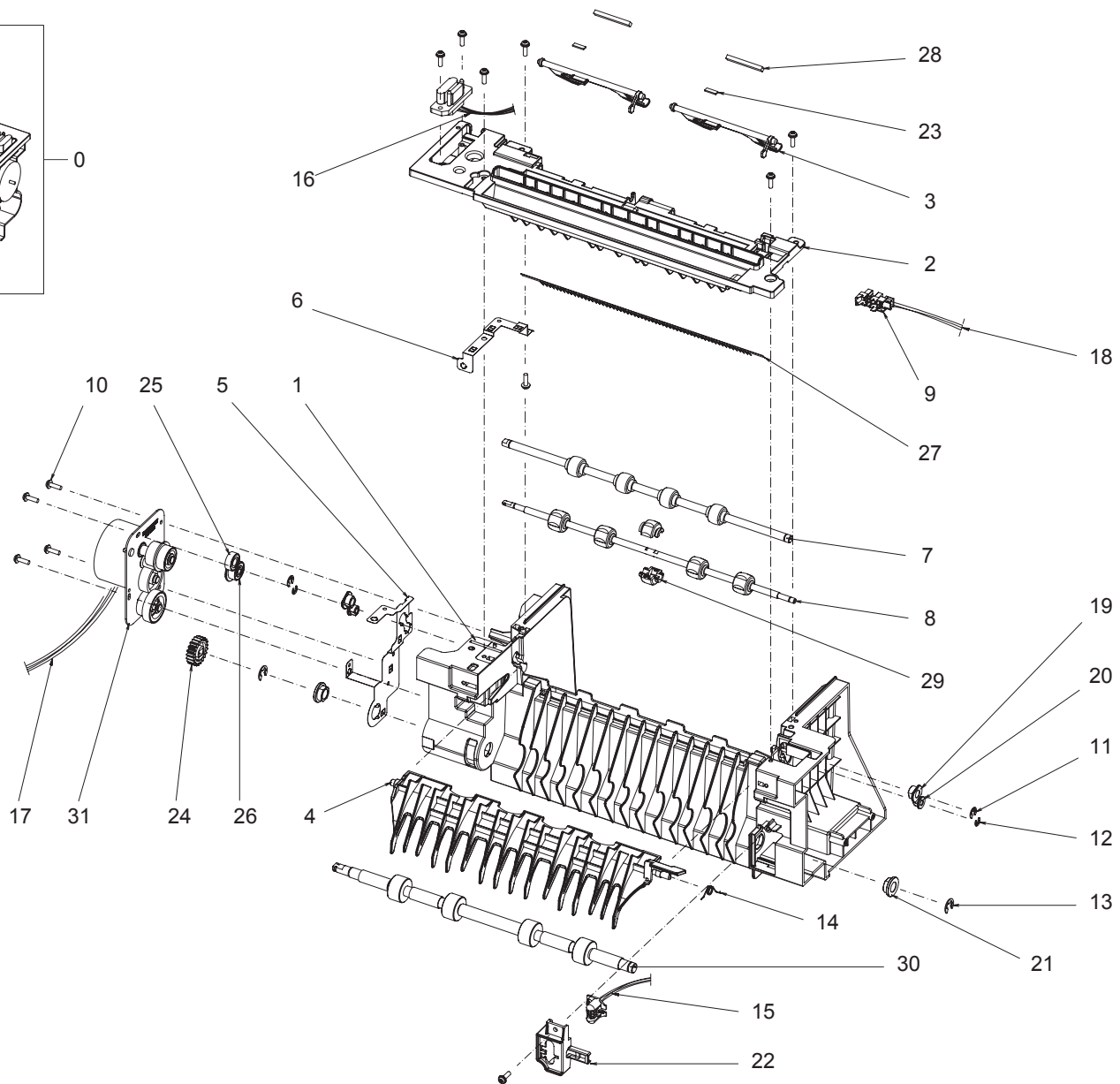
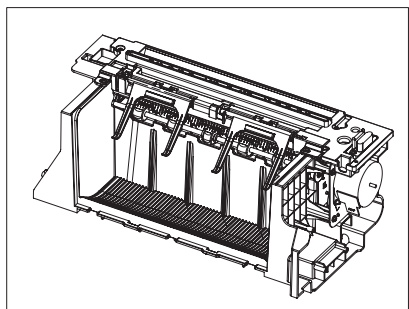
## FRAME MAIN Parts List

SA : SERVICE AVAILABLE, SNA : SERVICE not AVAILABLE

Drawer#	SEC_Code	Description	QT'y	Service	Remark
0	JC93-00273B	FRAME MAIN	1	SNA	
1	JC93-00272A	FRAME BASE	1	SNA	Refer to 5.1.5
2	JC93-00269A	FRAME-DUCT WASTE TONER	1	SA	
3	JC93-00252A	FRAME-GUIDE OPC RIGHT	1	SNA	
4	JC93-00251A	FRAME-GUIDE DUPLEX RIGHT	1	SNA	
5	JC93-00250A	FRAME-GUIDE CASSETTE RIGHT	1	SNA	
6	JC93-00246A	FRAME-GUIDE OPC LEFT	1	SNA	
7	JC93-00244A	FRAME-GUIDE DUPLEX LEFT	1	SNA	
8	JC93-00243A	FRAME-GUIDE CASSETTE LEFT	1	SNA	
9	JC93-00232A	DRIVE FUSER-RELEASE	1	SA	
10	JC93-00230A	DRIVE MAIN	1	SA	Refer to 5.1.4
11	JC93-00229A	DRIVE-FEED	1	SA	Refer to 5.1.3
12	JC93-00228A	DRIVE-DUPLEX	1	SA	
13	JC93-00226A	DRIVE FUSER	1	SA	Refer to 5.1.3
14	JC90-01013B	EXIT	1	SA	Refer to 5.1.1
15	JC90-01020A	MP	1	SA	Refer to 5.1.2
16	JC66-01143A	ROLLER-SLIDE B	2	SNA	
17	JC66-00994C	CLUTCH-SPUR	2	SA	
18	JC63-02737A	GROUND-HCF	1	SNA	
19	JC61-03991A	BRACKET-CLUTCH	2	SNA	
20	JC61-03941A	ROLLER	5	SNA	
21	JC61-03905A	HOLDER-CONNECTOR_TONER	1	SA	
22	JC61-03879A	GUIDE-HARNESS_FRAME	1	SA	

Drawer#	SEC_Code	Description	QT'y	Service	Remark
23	JC61-03877A	GUIDE-COVER_OPEN_L	1	SNA	
24	JC61-03876A	GUIDE-COVER_OPEN_R	1	SNA	
25	JC61-03873A	GUIDE-FUSER_SIDE_R	1	SNA	
26	JC61-03869A	GUIDE-FUSER_SIDE_L	1	SNA	
27	JC61-03840A	HOLDER-FAN_LSU	1	SA	
28	JC61-03835A	HOLDER-FAN_SMPS	1	SA	
29	JC61-03815A	BRACKET-SUPPORT_REAR	1	SNA	
30	JC61-03217A	HOLDER-SENSOR HUMIDITY	1	SNA	
31	JC61-00884A	BUSH-6_D(L)	1	SA	
32	JC61-00699A	BUSH-D6/L4	2	SA	
34	JC32-00005A	SENSOR-HUMIDITY	1	SA	
35	JC31-00141A	FAN	1	SA	
36	6502-001130	CABLE CLAMP	7	SA	
37	6044-000125	RING-E	4	SA	
38	6107-002660	SPRING-TS	2	SNA	
39	6107-001155	SPRING-ES	1	SA	
40	6107-001259	SPRING-ES	1	SA	
41	JC68-01760A	LABEL-INFORMATION	1	SNA	
42	6003-000301	SCREW-TAPTYPE	4	SA	
43	6502-001132	SADDLE	1	SA	
44	JC92-02282A	PBA-JOINT	1	SA	
45	6003-000196	SCREW-TAPTYPE	36	SA	
46	6009-001664	SCREW-HEX	49	SNA	
47	JC31-00086A	FAN-DC	1	SA	
48	6009-001665	SCREW-HEX	3	SA	
49	JC92-02376A	PBA-ZENER	1	SA	

### 5.1.1. EXIT



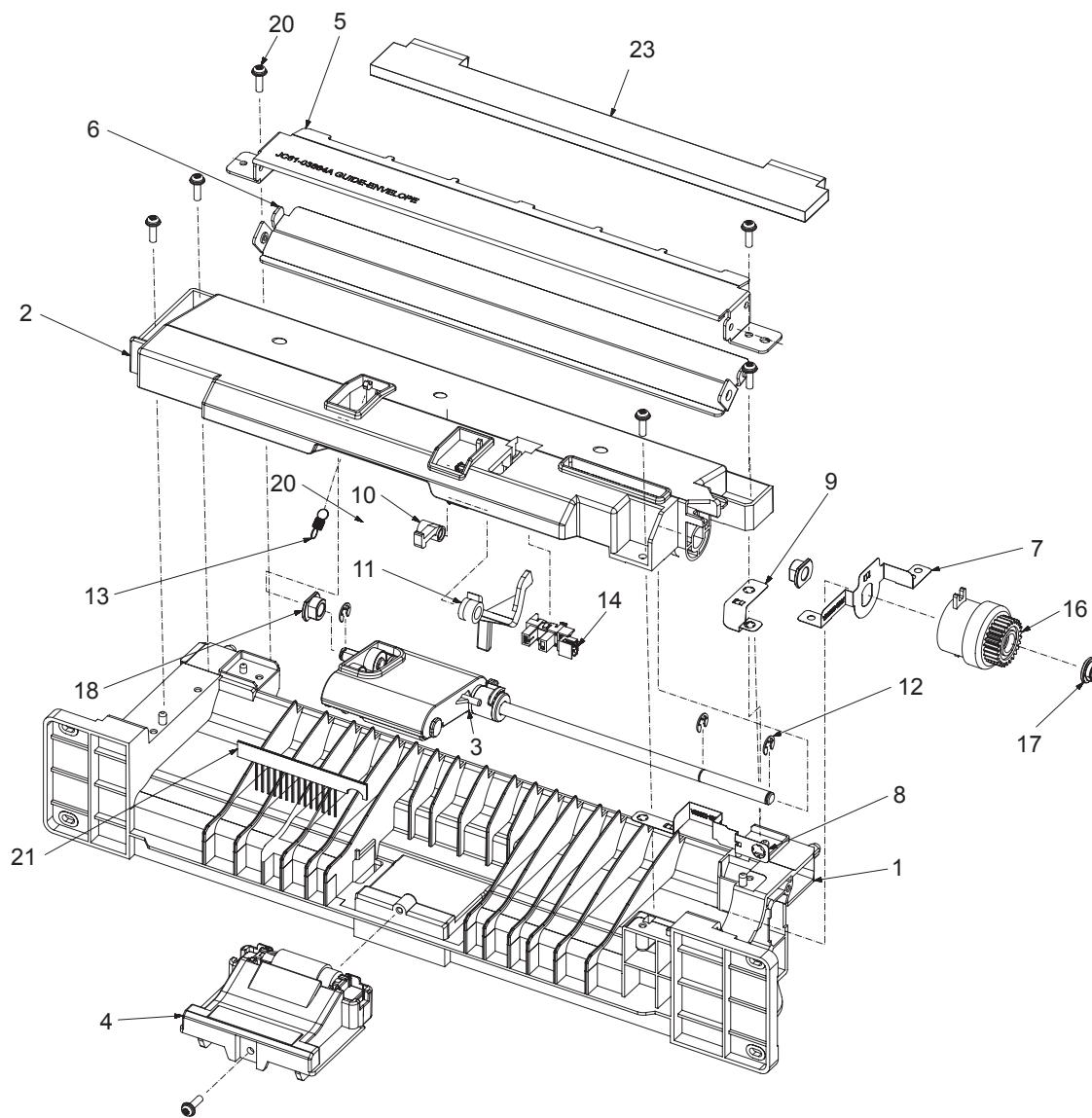
## EXIT Parts List

SA : SERVICE AVAILABLE, SNA : SERVICE not AVAILABLE

Drawer#	SEC_Code	Description	QT'y	Service	Remark
0	JC90-01013B	EXIT	1	SA	
1	JC61-03862B	FRAME-EXIT	1	SNA	
2	JC61-03878A	FRAME-CAP_EXIT	1	SNA	
3	JC66-02621A	LEVER-STACKING	2	SA	
4	JC61-03891A	GUIDE-DEFLECTOR	1	SNA	
5	JC63-02657A	GROUND-EXIT_ROLLER	1	SNA	
6	JC63-02658A	GROUND-EXIT	1	SNA	
7	JC66-02663A	ROLLER-EXIT_UPPER	1	SNA	
8	JC66-02664A	ROLLER-EXIT_LOWER	1	SNA	
9	0604-001325	PHOTO-INTERRUPTER	1	SA	
10	6003-000196	SCREW-TAPTYPE	12	SA	
11	6044-000125	RING-E	2	SA	
12	6044-000159	RING-C	2	SNA	
13	6044-000129	RING-E	2	SA	
14	6107-001500	SPRING-TS	1	SNA	
15	JC39-00992A	HARNESS-REAR_JOINT_FR	1	SNA	
16	JC39-00710A	HARNESS-SENS T1 ENGA	1	SNA	

Drawer#	SEC_Code	Description	QT'y	Service	Remark
17	JC39-01399A	HARNESS-EXIT_MOT_JOINT	1	SA	
18	JC39-01374A	HARNESS-STACKER	1	SA	
19	JC61-00423A	BUSH-6_D	2	SA	
20	JC61-00424A	BUSH-4	2	SA	
21	JC61-00426A	BUSH-8/5	2	SA	
22	JC61-02634A	BRACKET-MALE_REAR	1	SNA	
23	JC66-00738A	DAMPER-PAD ADF_R2	2	SNA	
24	JC66-00854A	GEAR-M-EXIT DUP Z21	1	SA	
25	JC66-01017A	GEAR-M_EXIT UPPER	1	SA	
26	JC66-01018A	GEAR-M_EXIT LOWER	1	SA	
27	JC67-00295A	BRUSH-ANTISTATIC	1	SA	
28	JC72-01582A	SPONGE-LEVER_STACKING	2	SNA	
29	JC67-00477A	CAP-ROLLER_EXIT	2	SNA	
30	JC90-01017A	EXIT-ROLLER DUPLEX	1	SA	
31	JC93-00227A	DRIVE EXIT	1	SA	
32	0205-001080	GREASE-BEARING	0.6	SNA	

5.1.2. MP



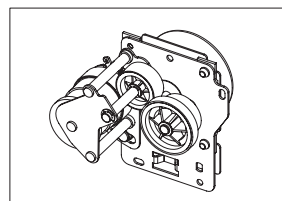
## MP Parts List

SA : SERVICE AVAILABLE, SNA : SERVICE not AVAILABLE

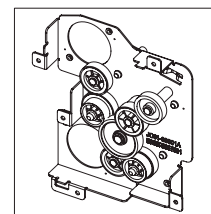
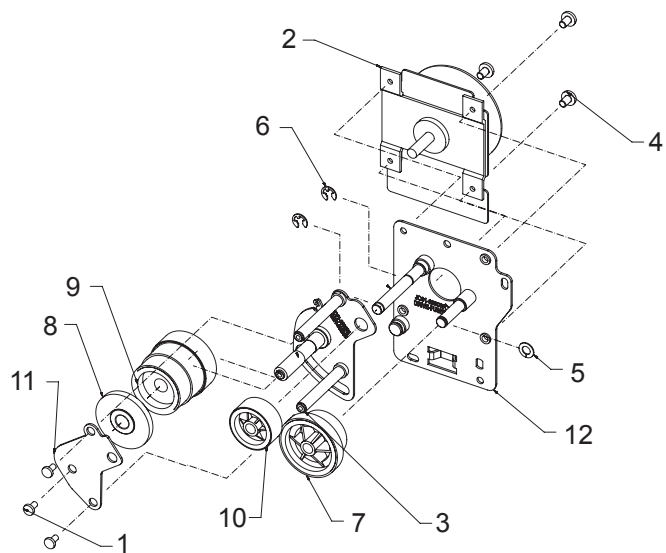
Drawer#	SEC_Code	Description	QT'y	Service	Remark
0	JC90-01020A	MP	1	SA	
1	JC61-03893A	FRAME-MP_BOTTOM	1	SNA	
2	JC61-03894A	FRAME-MP_TOP	1	SNA	
3	JC90-01012A	MP-PICK UP	1	SA	
4	JC90-01014A	MP-LOWER RETARD	1	SA	
5	JC61-03864A	GUIDE-ENVELOPE	1	SNA	
6	JC61-03871A	GUIDE-MP_RELEASE	1	SNA	
7	JC63-02665A	GROUND-MP_TOP	1	SNA	
8	JC63-02663A	GROUND-MP	1	SNA	
9	JC63-02664A	GROUND-MP_RELEASE	1	SNA	
10	JC66-00958B	LATCH-M_ARM REAR	1	SNA	
11	JC61-03892A	STOPPER-PAPER_MP	1	SA	

Drawer#	SEC_Code	Description	QT'y	Service	Remark
12	6044-000125	RING-E	3	SA	
13	6107-002631	SPRING-ES	1	SNA	
14	0604-001325	PHOTO-INTERRUPTER	1	SA	
15	JC72-01274A	SPONGE-ITB LOWER	1	SNA	
16	JC47-00023A	CLUTCH-FEED	1	SA	
17	JC61-00699A	BUSH-D6/L4	1	SA	
18	JC61-00423A	BUSH-6_D	2	SA	
19	6009-001664	SCREW-HEX	2	SNA	
20	6003-000196	SCREW-TAPTYPE	7	SA	
21	JC67-00507A	BRUSH-PICK_MP	1	SNA	
22	JC39-01383A	HARNESS-MP	1	SA	
23	JC63-02973A	ABSORBER-ENVELOPE	1	SNA	

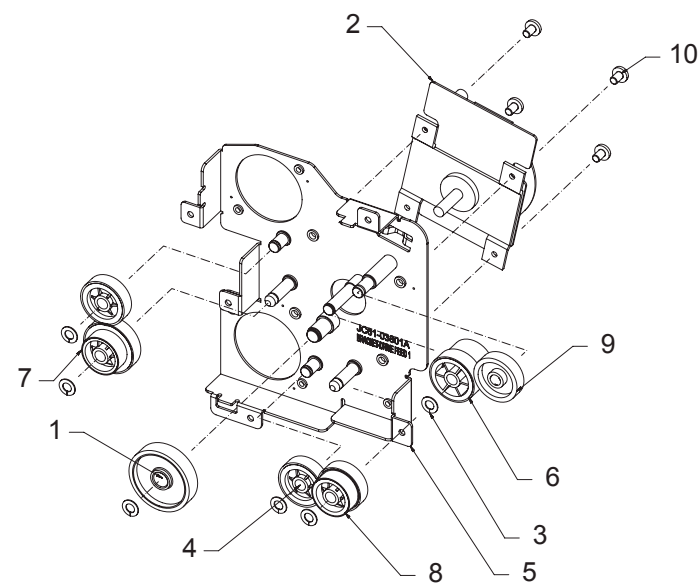
### 5.1.3. DRIVE FUSER & DRIVE FEED



a



b





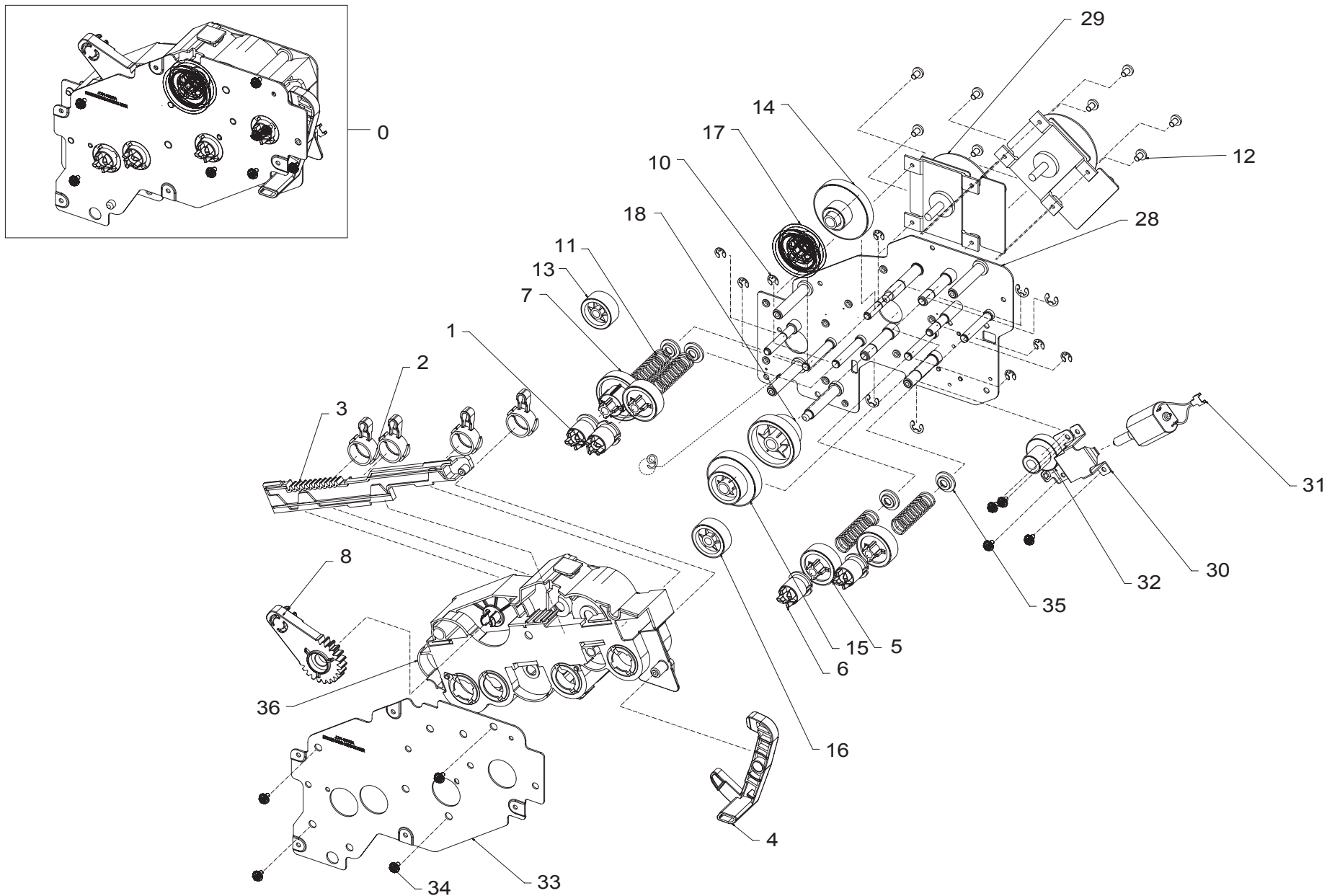
## DRIVE FUSER &amp; DRIVE FEED Parts List

SA : SERVICE AVAILABLE, SNA : SERVICE not AVAILABLE

Drawer#	SEC_Code	Description	QT'y	Service	Remark
a	JC93-00226A	DRIVE FUSER	1	SA	
1	6001-000130	SCREW-MACHINE	3	SNA	
2	JC31-00090A	MOTOR BLDC	1	SA	
3	JC61-03807A	BRACKET-FUSER_SWING	1	SNA	
4	6003-000301	SCREW-TAPTYPE	3	SA	
5	6031-001255	WASHER-PLAIN	1	SA	
6	6044-000125	RING-E	2	SA	
7	JC66-02652A	GEAR-RDCN_3X5	1	SA	
8	JC61-03914A	SUPPORT-GAP_RING	1	SNA	
9	JC66-02634A	GEAR-RDCN_FUSER	1	SA	
10	JC66-02633A	GEAR-DRV_OPC	1	SA	
11	JC61-03961A	BRACKET-SWING_INNER	1	SNA	
12	JC61-03808A	BRACKET-DRIVE FUSER	1	SNA	

Drawer#	SEC_Code	Description	QT'y	Service	Remark
b	JC93-00229A	DRIVE-FEED	1	SA	
1	JC66-01376A	GEAR-IDLE OPC	1	SA	
2	JC31-00090A	MOTOR BLDC	1	SA	
3	6031-001255	WASHER-PLAIN	6	SA	
4	JC66-02643A	GEAR-FEED_IDLE	2	SA	
5	JC61-03801A	BRACKET-DRIVE FEED 1	1	SNA	
6	JC66-02649A	GEAR-RDCN_FEED	1	SA	
7	JC66-02644A	GEAR-RDCN_REGI	1	SA	
8	JC66-02645A	GEAR-RDCN_FORWARD	1	SA	
9	JC66-00861A	GEAR-M-MP DRV	1	SA	
10	6003-000301	SCREW-TAPTYPE	4	SA	

### 5.1.4. DRIVE MAIN



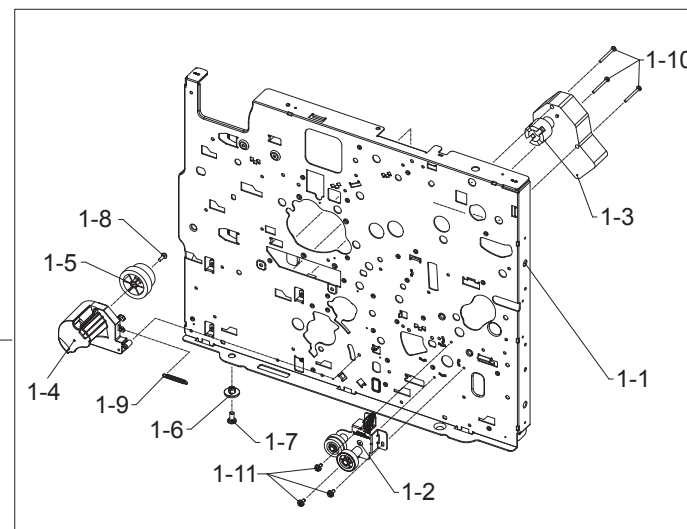
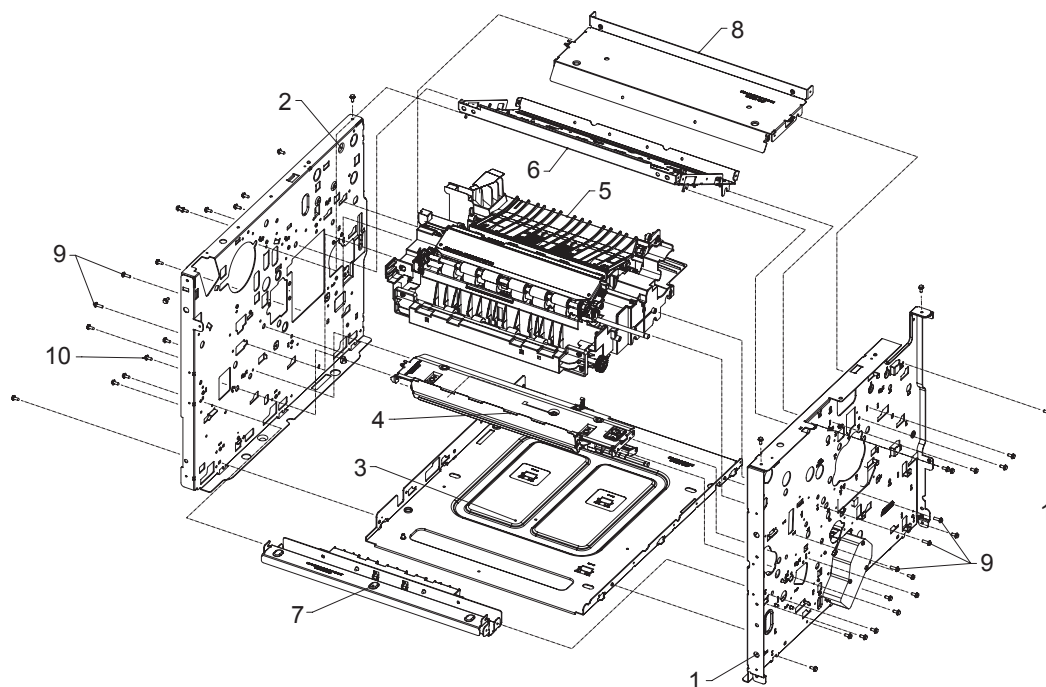
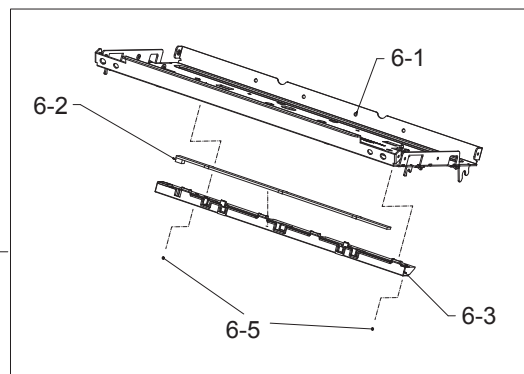
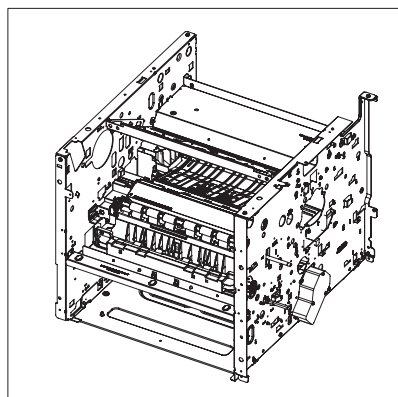
## DRIVE MAIN Parts List

SA : SERVICE AVAILABLE, SNA : SERVICE not AVAILABLE

Drawer#	SEC_Code	Description	QT'y	Service	Remark
0	JC93-00230A	DRIVE MAIN	1	SA	
1	JC67-00460A	COUPLER-CARTRIDGE_MAG	1	SNA	
2	JC61-03865A	HOLDER-CAM_COUPLING	4	SNA	
3	JC66-02629A	LINK-COUPLING_RACK	1	SNA	
4	JC66-02631A	LINK-TONER_SHUTTER	1	SNA	
5	JC66-02641A	GEAR-COUPLING	3	SA	
6	JC67-00461A	COUPLER-CARTRIDGE_OPC	3	SNA	
7	JC66-02642A	GEAR-COUPLING-OPC	1	SA	
8	JC66-02630A	LINK-COUPLING_PINION	1	SNA	
9	6044-000231	RING-E	4	SA	
10	6044-000125	RING-E	7	SA	
11	6107-002662	SPRING-CS	4	SNA	
12	6003-000301	SCREW-TAPTYPE	8	SA	
13	JC66-02633A	GEAR-DRV_OPC	1	SA	

Drawer#	SEC_Code	Description	QT'y	Service	Remark
14	JC66-02638A	GEAR-DRV_TONER_1	1	SA	
15	JC66-02639A	GEAR-DRV_TONER_2	1	SA	
16	JC66-02640A	GEAR-DEVE_DRIVE	1	SA	
17	JC66-01051A	GEAR-RDCN DEVE	1	SNA	
18	JC66-02646A	GEAR-RDCN_MAG	1	SA	
28	JC61-03803A	BRACKET-DRIVE CARTRIDGE	1	SNA	
29	JC31-00090A	MOTOR BLDC	2	SA	
30	JC61-01370A	BRACKET-P-TONER MOTOR	1	SNA	
31	JC31-00078A	MOTOR DC	1	SA	
32	JC66-02650A	GEAR-DRV SUPPLY	1	SA	
33	JC61-03802A	BRACKET-DRIVE CARTRIDGE INNER	1	SNA	
34	6009-001665	SCREW-HEX	4	SA	
35	JC61-03915A	SUPPORT-WASHER_COUPLING	4	SNA	
36	JC63-02653A	COVER-COUPLING	1	SNA	

### 5.1.5. FRAME BASE



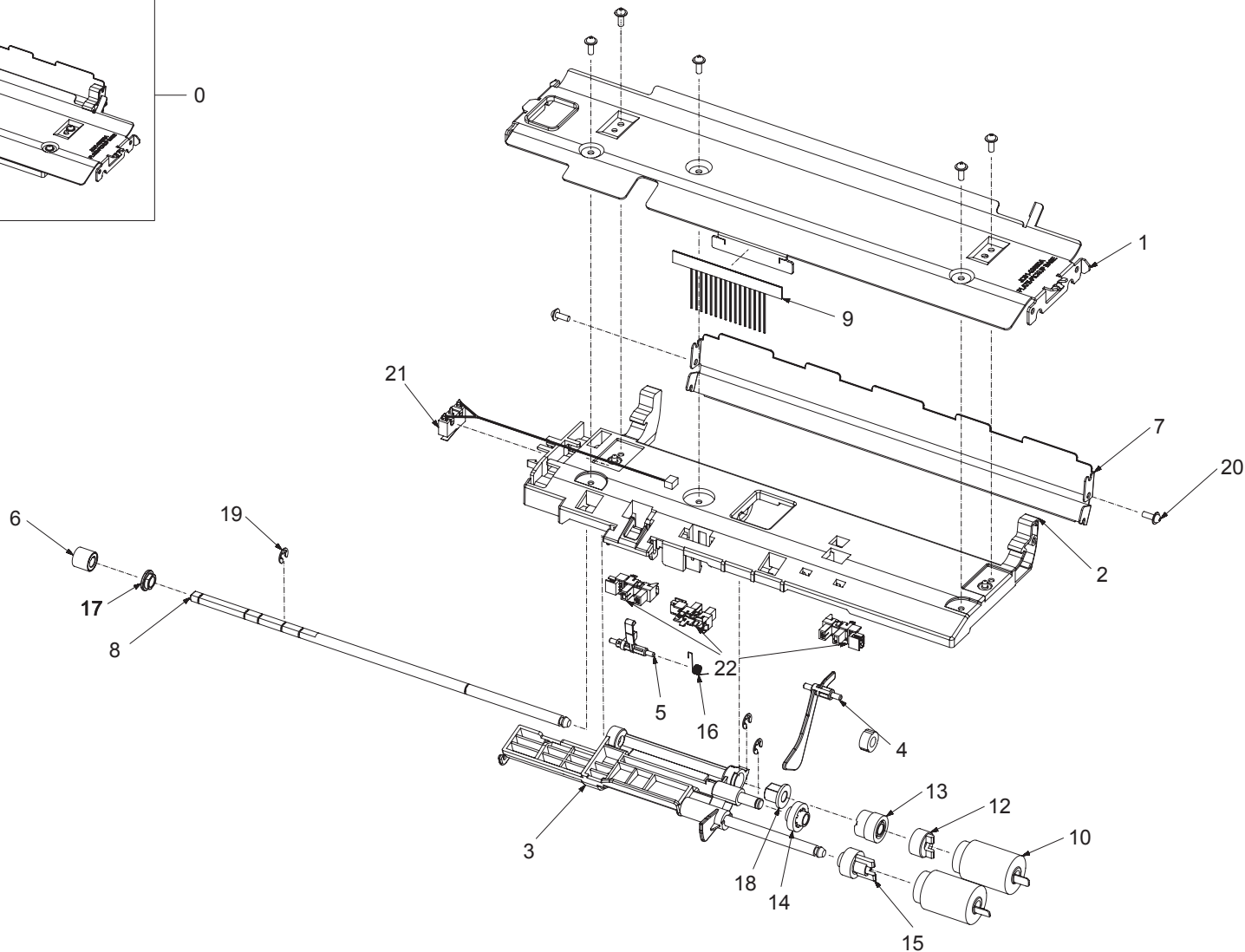
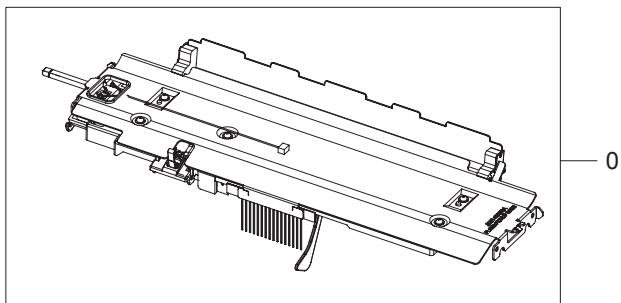
## FRAME BASE Parts List

SA : SERVICE AVAILABLE, SNA : SERVICE not AVAILABLE

Drawer#	SEC_Code	Description	QT'y	Service	Remark
0	JC93-00272A	FRAME BASE	1	SNA	
1	JC93-00248A	FRAME-RIGHT	1	SNA	
1-1	JC93-00248A	FRAME-RIGHT	1	SNA	
1-2	JC93-00225A	DRIVE-PICK UP	1	SNA	
1-3	JC31-00137A	MOTOR GEARED-LIFT 500	1	SA	
1-4	JC61-03962A	HOLDER-CASSETTE_LIFT	1	SNA	
1-5	JC66-02710A	GEAR-IDLE_LIFT	1	SA	
1-6	JC61-03946A	HOLDER-FOOT_LOWER	1	SA	
1-7	JC61-03955A	FOOT-UPPER	1	SA	
1-8	6003-000196	SCREW-TAPTYPE	1	SA	
1-9	6107-001155	SPRING-ES	1	SA	
1-10	6003-001474	SCREW-TAPTYPE	3	SNA	
1-11	6009-001664	SCREW-HEX	3	SNA	
2	JC93-00242A	FRAME-LEFT	1	SNA	

Drawer#	SEC_Code	Description	QT'y	Service	Remark
3	JC93-00253A	FRAME-BOTTOM	1	SNA	
4	JC93-00240A	FRAME-PICKUP	1	SNA	
5	JC93-00256A	FRAME-MIDDLE	1	SNA	
6	JC93-00255A	FRAME-UPPER	1	SNA	
6-1	JC61-03824A	FRAME-LSU_LOWER	1	SNA	
6-2	JC92-02287A	PBA-ERASER	1	SNA	
6-3	JC61-03843A	HOLDER-PBA_LED	1	SNA	
6-4	1404-001417	THERMISTOR-NTC ASS'Y	1	SA	
6-5	6009-001664	SCREW-HEX	2	SNA	
7	JC93-00261A	FRAME-FRONT	1	SNA	
8	JC93-00255A	FRAME-UPPER	1	SNA	
9	6003-000196	SCREW-TAPTYPE	5	SA	
10	6009-001717	SCREW-SPECIAL	32	SA	

### 5.1.5.1. FRAME-PICKUP



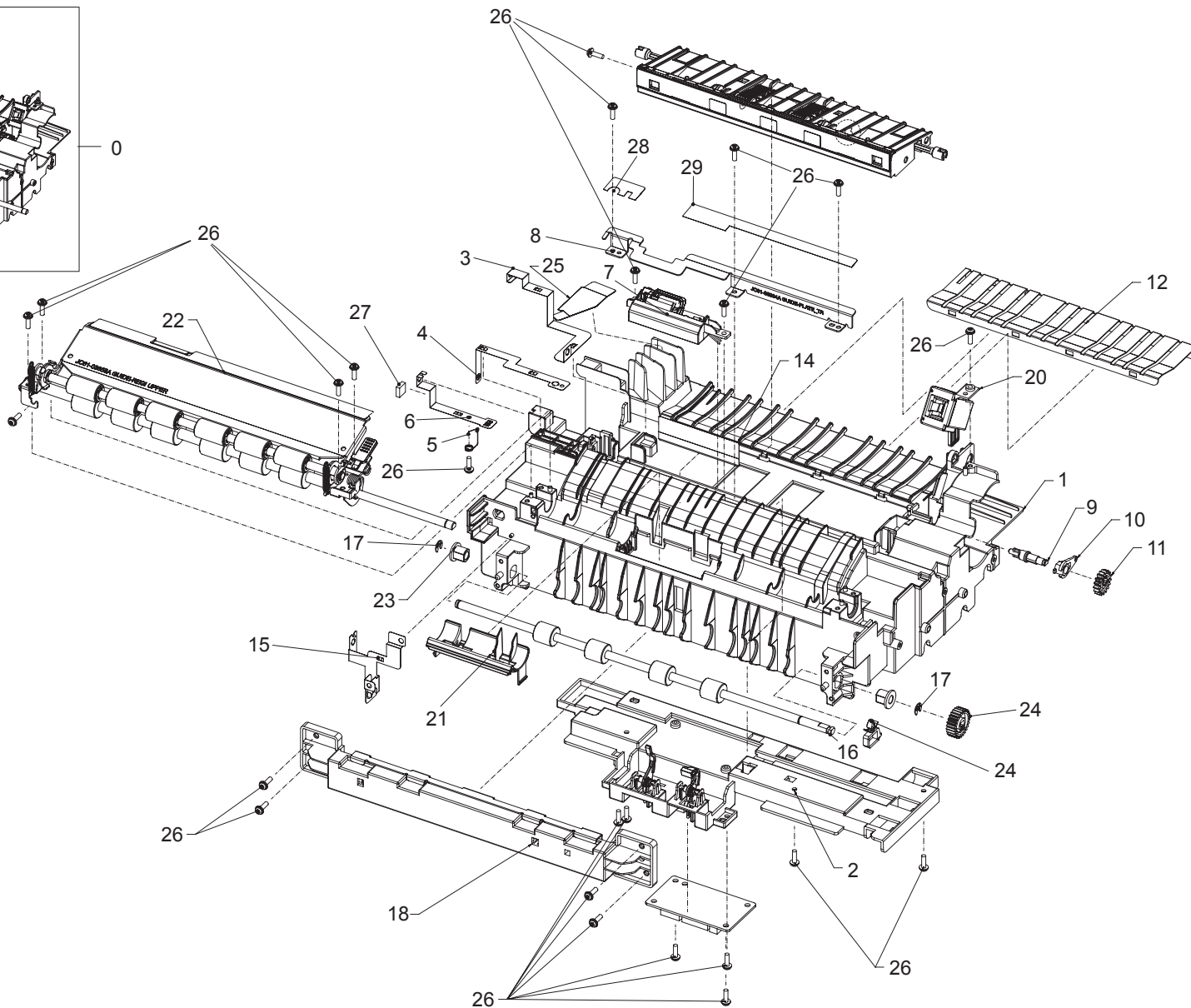
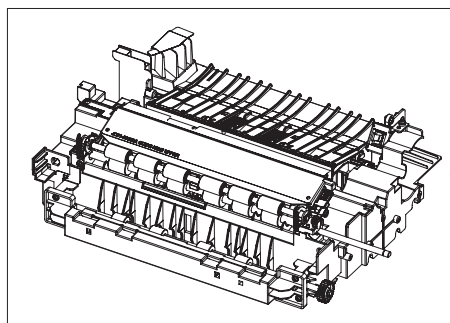
## FRAME-PICKUP Parts List

SA : SERVICE AVAILABLE, SNA : SERVICE not AVAILABLE

Drawer#	SEC_Code	Description	QT'y	Service	Remark
0	JC93-00240A	FRAME-PICKUP	1	SNA	
1	JC61-03850A	PLATE-PICKUP_BASE	1	SNA	
2	JC61-03823A	HOLDER-PICK_UP	1	SNA	
3	JC61-03846A	HOUSING-PICK_UP	1	SNA	
4	JC66-02613A	ACTUATOR-PAPER_EMPTY	1	SA	
5	JC66-02614A	ACTUATOR-FEED_DUPLEX	1	SA	
6	JC66-02632A	GEAR-DRV_PICKUP	1	SNA	
7	JC61-03849A	PLATE-GUIDE_PAPER	1	SNA	
8	JC66-02653A	SHAFT-PICK_UP	1	SNA	
9	JC67-00468A	BRUSH-PICK	1	SNA	
10	JC97-02259A	MEA UNIT-ROLLER PU	2	SA	
12	JC97-02292A	MEA UNIT-IDLE FORWARD	1	SNA	

Drawer#	SEC_Code	Description	QT'y	Service	Remark
13	JC97-02291A	MEA UNIT-GEAR ONE WAY	1	SNA	
14	JC66-00940A	GEAR-M_IDLE PU	1	SA	
15	JC66-00943A	GEAR-M_PU JOINT	1	SA	
16	6107-001261	SPRING-TS	1	SA	
17	JC61-00699A	BUSH-D6/L4	1	SA	
18	JC61-00884A	BUSH-6_D(L)	1	SA	
19	6044-000125	RING-E	3	SA	
20	6002-000440	SCREW-TAPPING	7	SNA	
21	JC39-01382A	HARNESS-PICKUP	1	SNA	
22	0604-001325	PHOTO-INTERRUPTER	3	SA	

### 5.1.5.2. FRAME-MIDDLE





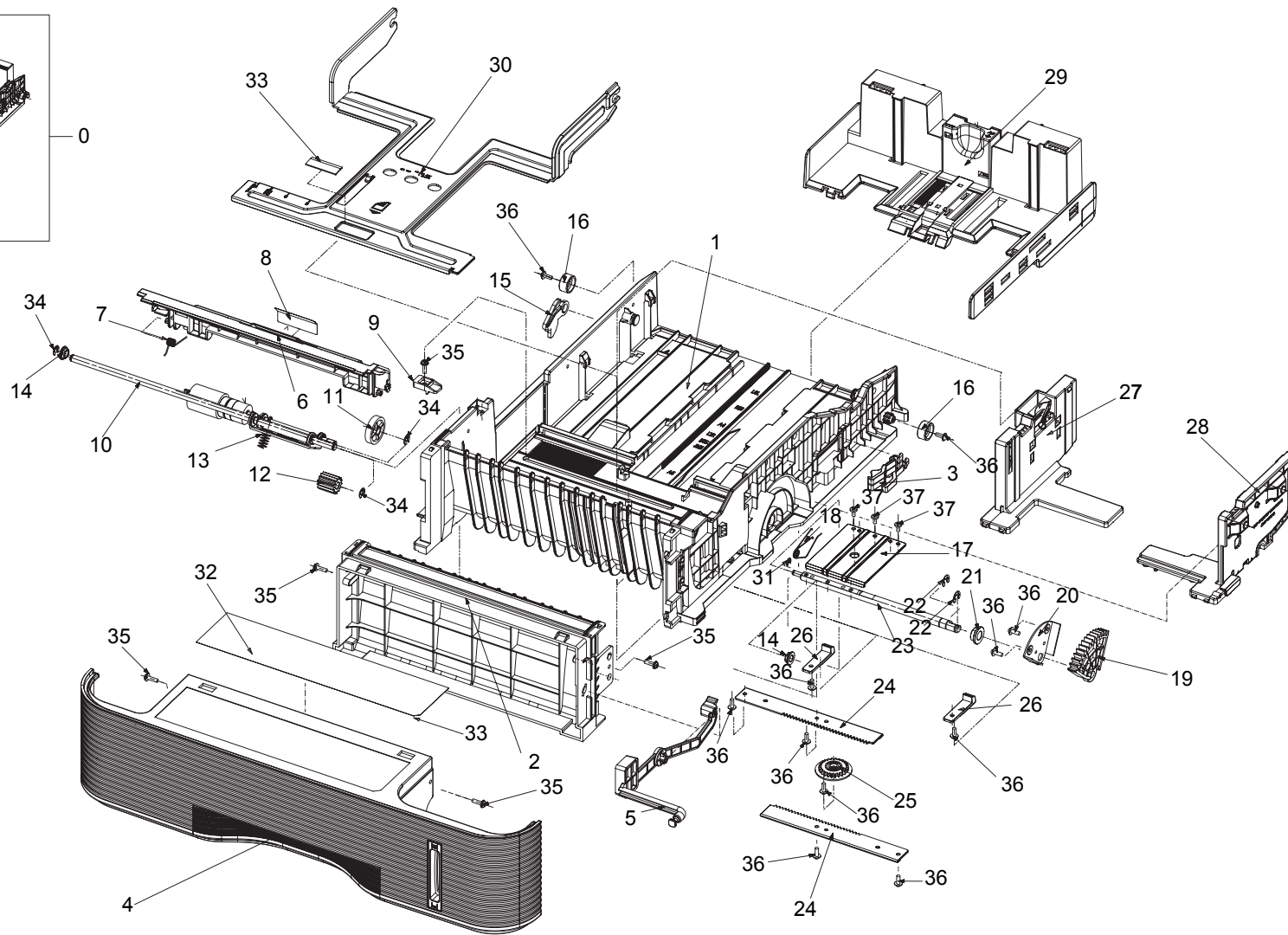
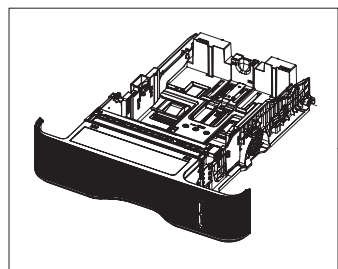
## FRAME-MIDDLE Parts List

SA : SERVICE AVAILABLE, SNA : SERVICE not AVAILABLE

Drawer#	SEC_Code	Description	QT'y	Service	Remark
0	JC93-00256A	FRAME-MIDDLE	1	SNA	
1	JC61-03832A	FRAME-BASE_FEED	1	SNA	
2	JC93-00257A	FRAME-ACTUATOR	1	SNA	
3	JC63-02671A	GROUND-SIDE_SAW	1	SNA	
4	JC63-03083A	GROUND-EARTH_TR	1	SNA	
5	6107-002696	SPRING-TS	1	SNA	
6	JC63-02685A	GROUND-TR	1	SNA	
7	JC93-00279A	FRAME-SENSOR CTD	1	SNA	
8	JC61-03904A	GUIDE-PLATE_TR	1	SNA	
9	JC66-00888A	SHAFT-M BELT_GEAR	1	SNA	
10	JC72-41191B	PMO-BEARING SHAFT	1	SNA	
11	JC66-00674A	GEAR-M-EXIT Z17	1	SA	
12	JC61-04321A	GUIDE-TRANSFER_REAR	1	SNA	
13	JC93-00258A	FRAME-SHAFT	1	SNA	
14	JC63-02825A	SHEET-FEED CTD	1	SNA	

Drawer#	SEC_Code	Description	QT'y	Service	Remark
15	JC63-02666A	GROUND-REGI	1	SNA	
16	JC66-02656A	ROLLER-FEED2	1	SNA	
17	6044-000125	RING-E	2	SA	
18	JC93-00259A	FRAME-FEED IDLE	1	SNA	
19	JC66-01262A	GEAR-FEED	1	SA	
20	JC93-00260A	FRAME-HOLDER CONNECTOR	1	SNA	
21	JC67-00456A	CAP-ACTUATOR	1	SNA	
22	JC93-00239A	FRAME-REGI	1	SA	
23	JC61-00884A	BUSH-6_D(L)	2	SA	
24	6502-001132	SADDLE	1	SA	
25	JC63-02872A	SHEET-FAN-SMPS	1	SNA	
26	6003-000196	SCREW-TAPTYPE	25	SA	
27	JC62-00806A	SEAL-BLADE SIDE	1	SNA	
28	JC63-02963A	SHEET-GUIDE_PLATE_TR	1	SNA	
29	JC63-02964A	SHEET-GUIDE_PLATE_TR_SMALL	1	SNA	

# 6. CASSETTE



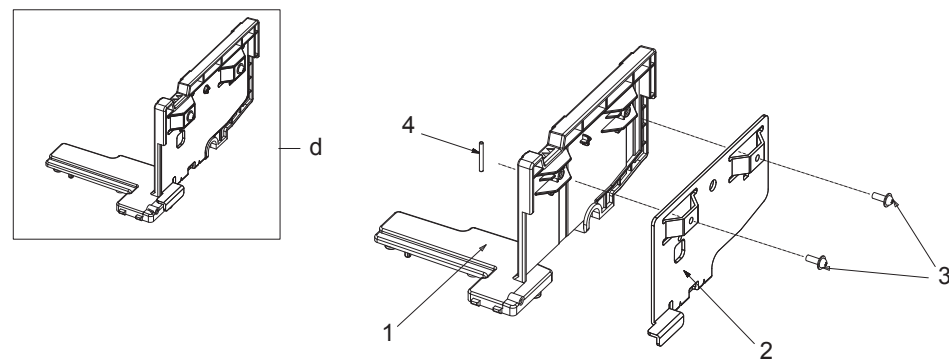
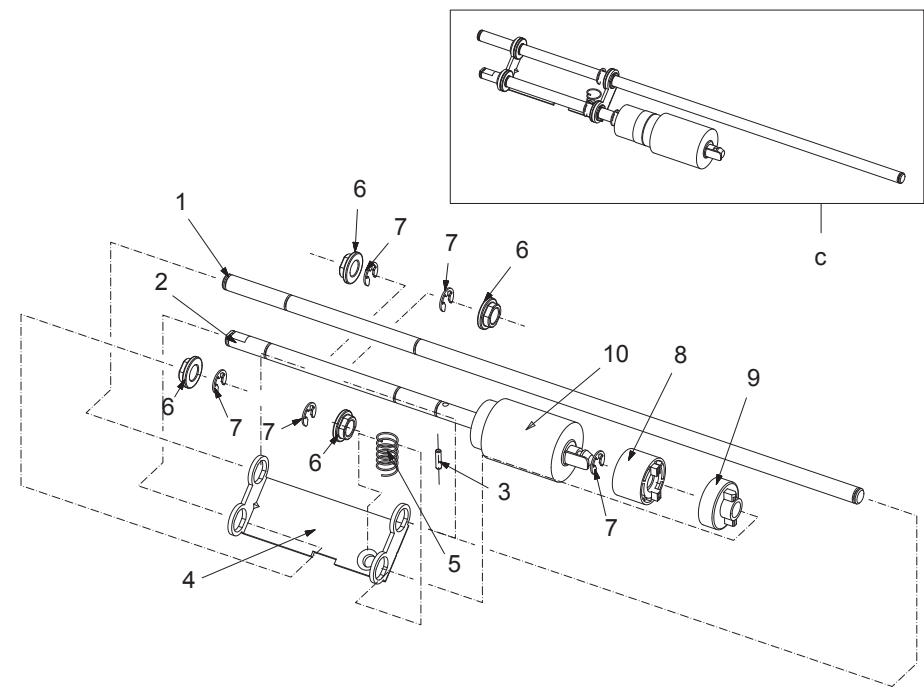
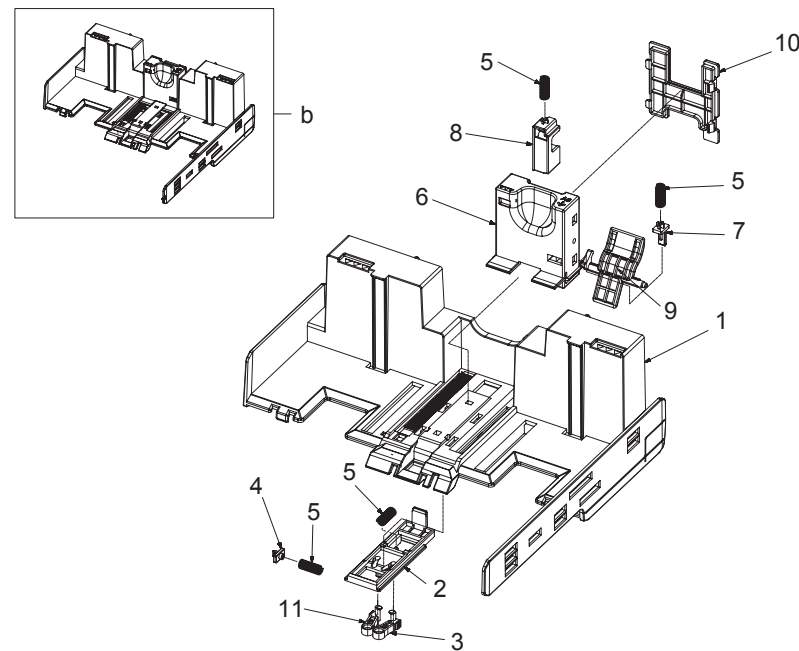
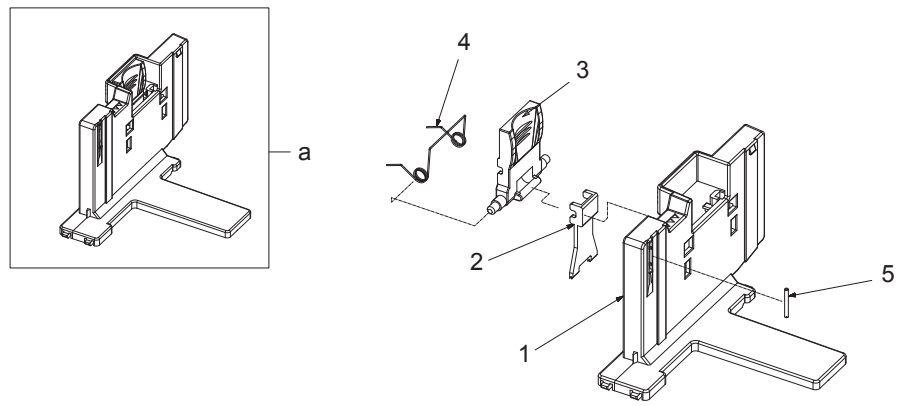
## CASSETTE Parts List

Drawer#	SEC_Code	Description	QT'y	Service	Remark
0	JC90-01057A	CASSETTE	1	SA	
1	JC81-08488B	CSP-FRAME CASSETTE	1	SNA	
2	JC81-08591B	CSP-FRAME GUIDE PAPER DUMMY	1	SNA	
3	JC81-08485A	CSP-DETECTOR PAPER SIZE	3	SNA	
4	JC81-08495A	CSP-CST HANDLE CASSETTE	1	SNA	
5	JC81-08891A	CSP-CST PAPER INDICATOR	1	SNA	
6	JC81-08479B	CSP-CAP RETARD	1	SA	
7	JC81-08640A	CSP-SPRING TS	1	SNA	
8	JC81-08641A	CSP-SHEET RETARD HCF	1	SA	
9	JC61-00832B	STOPPER-M_KNOCK UP	1	SA	
10	JC90-01049A	CASSETTE-RETARD	1	SNA	
11	JC66-01676A	GEAR-PICKUP DRIVE	1	SA	
12	JC81-08477A	CSP-GEAR IDLE RETARD	1	SNA	
13	JC61-00387A	SPRING ETC-PAD	1	SA	
14	JC61-00699A	BUSH-D6/L4	6	SA	
15	JC81-08494A	CSP-LOCKER CASSETTE	1	SA	
16	JC61-03882A	ROLLER-SUPPORT_CST	2	SNA	
17	JC61-03206A	PLATE-LEVER	1	SNA	
18	JC81-08486A	CSP-SPRING GROUND CASSETTE	1	SNA	

SA : SERVICE AVAILABLE, SNA : SERVICE not AVAILABLE

Drawer#	SEC_Code	Description	QT'y	Service	Remark
19	JC81-08478A	CSP-GEAR LIFTING	1	SA	
20	JC61-01791A	PLATE-LIFTING GEAR	1	SNA	
21	JC61-00426A	BUSH-8/5	1	SA	
22	6044-000231	RING-E	2	SA	
23	JC81-08636A	CSP-SHAFT LEVER	1	SNA	
24	JC81-08492A	CSP-GEAR RACK	1	SNA	
25	JC66-01020A	GEAR-M_PINION 24	1	SA	
26	JC81-08602A	CSP-LOCKER GUIDE REAR	2	SNA	
27	JC90-01048A	CASSETTE-SIDE LEFT	1	SA	
28	JC90-01047A	CASSETTE-SIDE RIGHT	1	SA	
29	JC90-01050B	CASSETTE-GUIDE REAR PAPER	1	SA	
30	JC81-08519A	CSP-PLATE KNOCK UP	1	SNA	
31	6044-000159	RING-C	1	SNA	
32	JC68-02611A	LABEL-INSTALLATION	1	SNA	
33	JC69-00494A	PAD-MP(PLUS)	1	SA	
34	6044-000125	RING-E	9	SA	
35	6003-000196	SCREW-TAPTYPE	5	SA	
36	6002-000440	SCREW-TAPPING	11	SNA	
37	6003-000269	SCREW-TAPTYPE	3	SA	

### 6.1. CASSETTE Sub units



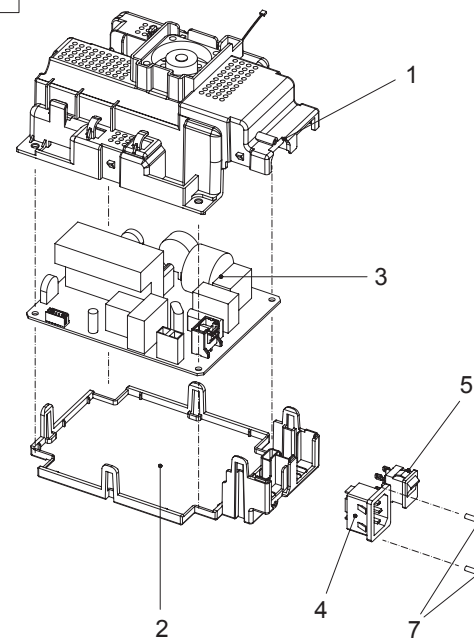
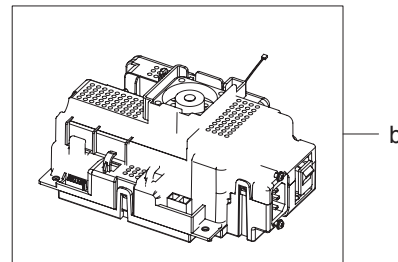
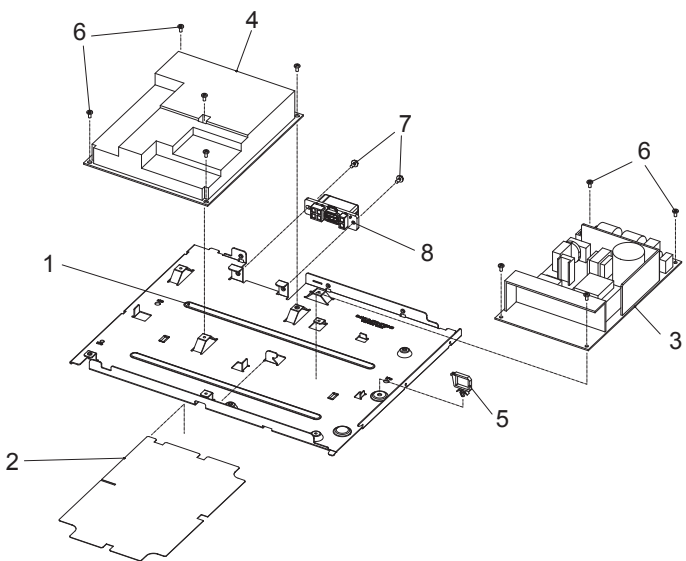
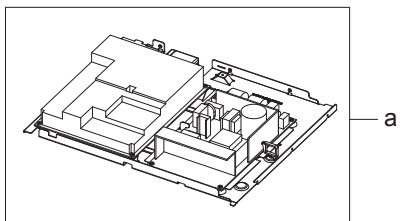
## CASSETTE Sub units Parts List

SA : SERVICE AVAILABLE, SNA : SERVICE not AVAILABLE

Drawer#	SEC_Code	Description	QT'y	Service	Remark
a	JC90-01048A	CASSETTE-SIDE LEFT	1	SA	
1	JC81-08490A	CSP-GUIDE SIDE LEFT	1	SNA	
2	JC61-02646A	GUIDE-LOCK_REAR	1	SNA	
3	JC81-08491A	CSP-LEVER GUIDE SIDE	1	SNA	
4	JC81-08637A	CSP-SPRING TS	1	SNA	
5	JC70-20901A	SHAFT	1	SNA	
b	JC90-01050B	CASSETTE-GUIDE REAR PAPER	1	SA	
1	JC81-08481B	CSP-GUIDE REAR PAPER	1	SNA	
2	JC81-08482A	CSP-GUIDE REAR SLIDE	1	SNA	
3	JC81-08483A	CSP-GUIDE LOCK RIGHT	1	SNA	
4	JC64-00426A	KNOB-GUIDE_REAR	1	SNA	
5	JC61-00013A	SPRING ETC-PAD	4	SNA	
6	JC81-08606A	CSP-GUIDE REAR1	1	SNA	
7	JC81-08603A	CSP-SUPPORT LOCKER GRU	1	SNA	
8	JC81-08604A	CSP-LOCKER GUIDE REAR U	1	SNA	
9	JC81-08480A	CSP-LEVER EXTENTION	1	SNA	
10	JC81-08605A	CSP-GUIDE REAR2	1	SNA	

Drawer#	SEC_Code	Description	QT'y	Service	Remark
11	JC81-08484A	CSP-GUIDE LOCK LEFT	1	SNA	
c	JC90-01049A	CASSETTE-RETARD	1	SNA	
1	JC81-08638A	CSP-SHAFT HINGE RETARD	1	SNA	
2	JC81-08639A	CSP-SHAFT RETARD	1	SNA	
3	JC66-00939A	SHAFT-LOCK	1	SNA	
4	JC81-08474A	CSP-BRACKET RETARD HINGE	1	SNA	
5	JC61-00387A	SPRING ETC-PAD	1	SA	
6	JC61-00699A	BUSH-D6/L4	6	SA	
7	6044-000125	RING-E	9	SA	
8	JC67-00126A	COUPLER-TORQUELIMITER	1	SNA	
9	JC66-00976A	JOINT-M_RETARD	1	SNA	
10	JC97-02259A	MEA UNIT-ROLLER PU	1	SA	
d	JC90-01047A	CASSETTE-SIDE RIGHT	1	SA	
1	JC81-08489A	CSP-GUIDE SIDE RIGHT	1	SNA	
2	JC81-08601A	CSP-BRACKET SIDE RIGHT	1	SNA	
3	6002-000440	SCREW-TAPPING	11	SNA	
4	JC70-20901A	SHAFT	1	SNA	

# 7. FRAME-POWER SUPPLY & FRAME-BOARD FUSER DRIVE



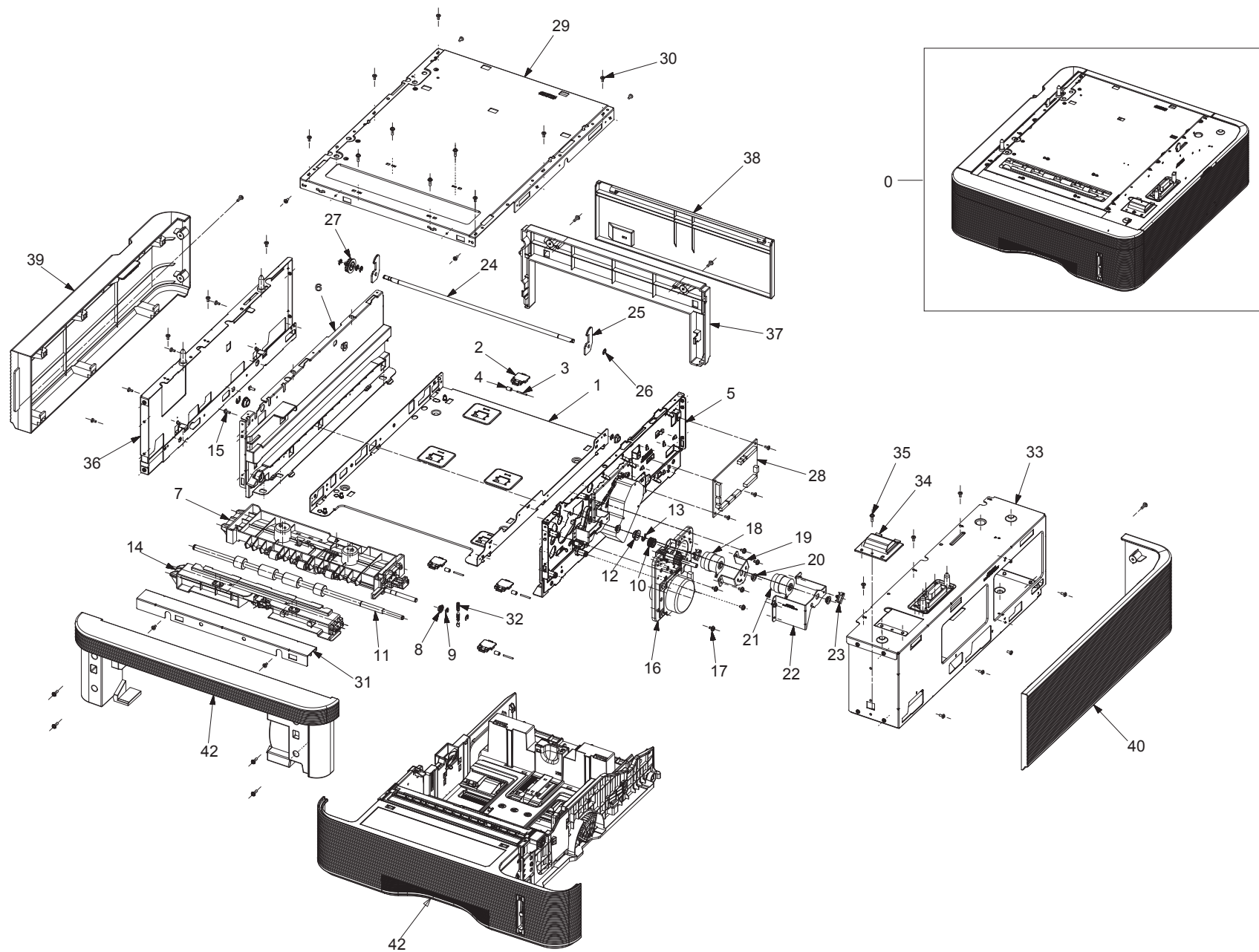
## FRAME-POWER SUPPLY & FRAME-BOARD FUSER DRIVE Parts List

SA : SERVICE AVAILABLE, SNA : SERVICE not AVAILABLE

Drawer#	SEC_Code	Description	QT'y	Service	Remark
a	JC93-00270A	FRAME-POWER SUPPLY	1	SNA	110V
a	JC93-00270B	FRAME-POWER SUPPLY	1	SNA	220V
1	JC63-02642A	SHIELD-SMPS_HVPS	1	SNA	
2	JC63-02770A	SHEET-SMPS_HVPS	1	SNA	
3	JC44-00093B	SMPS-V1	1	SA	110V
3	JC44-00100B	SMPS-V2C	1	SA	220V
4	JC44-00196A	HVPS	1	SA	
5	6502-001133	SADDLE	1	SNA	
6	6003-000269	SCREW-TAPTYPE	9	SA	
7	6009-001664	SCREW-HEX	2	SNA	
8	JC39-01393A	HARNESS-FUSER_FR	1	SA	
9	JC39-01376A	HARNESS-HVPS	1	SA	
10	JC39-00435A	CBF HARNESS-SMPS	1	SA	

Drawer#	SEC_Code	Description	QT'y	Service	Remark
b	JC93-00277A	FRAME-BOARD FUSER DRIVE	1	SA	110V
b	JC93-00277B	FRAME-BOARD FUSER DRIVE	1	SA	220V
1	JC95-01292A	COVER-FUSER DRIVE BOARD	1	SNA	
2	JC61-03834A	HOLDER-FDB_LOWER	1	SA	
3	JC44-00191A	FDB-MULTI TRIAC V1	1	SA	110V
3	JC44-00192A	FDB-MULTI TRIAC V2	1	SA	220V
4	JC39-01390A	HARNESS-FUSER_AC	1	SA	
5	JC39-01389A	HARNESS-INLET	1	SA	
6	JC39-01377A	HARNESS-FDB	1	SA	
7	6003-000196	SCREW-TAPTYPE	2	SA	

# 8. SCF





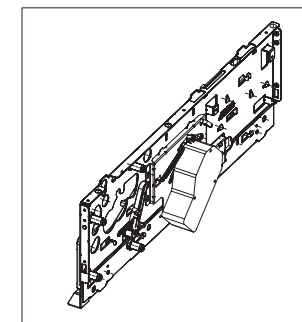
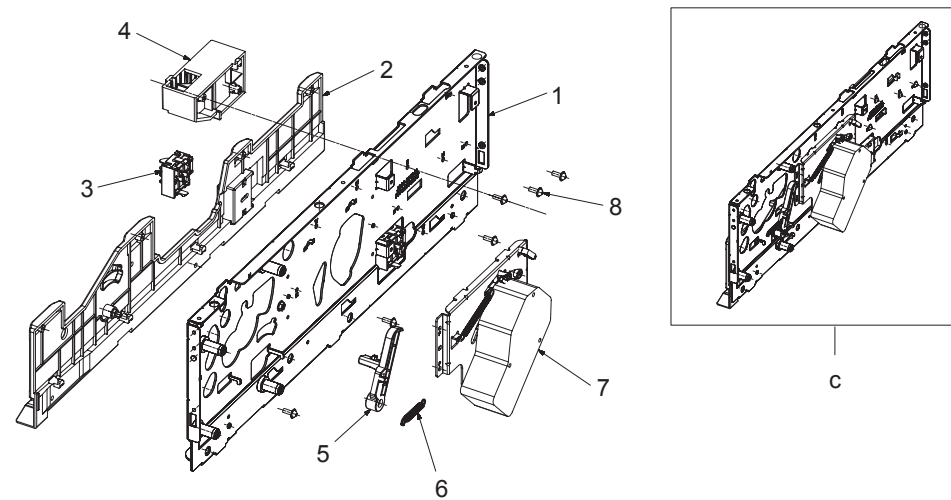
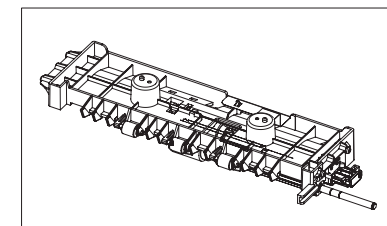
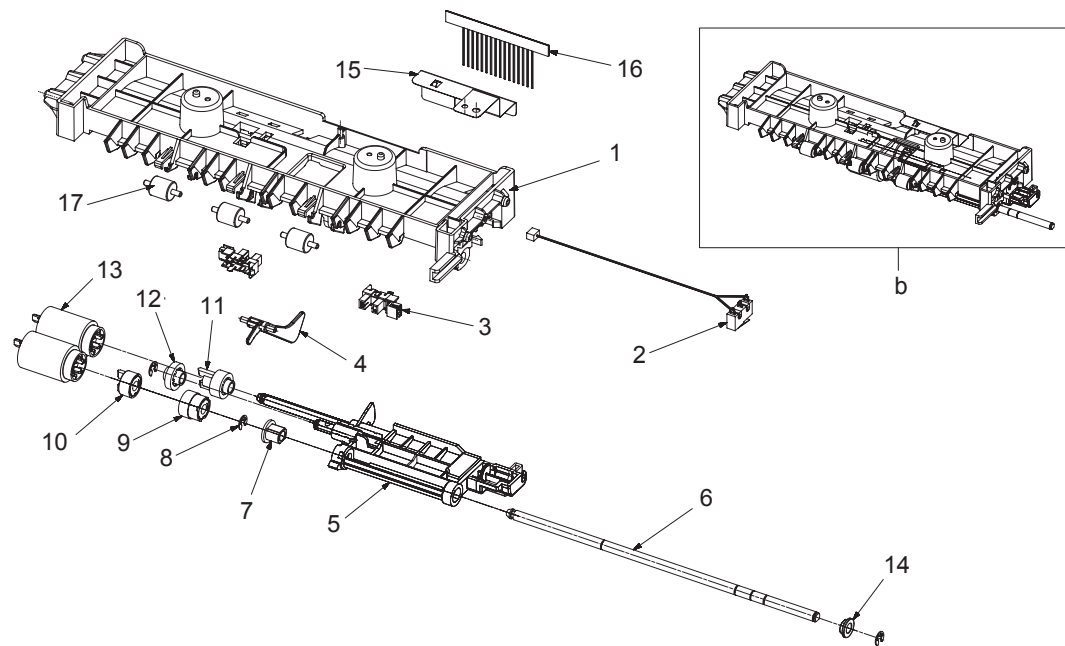
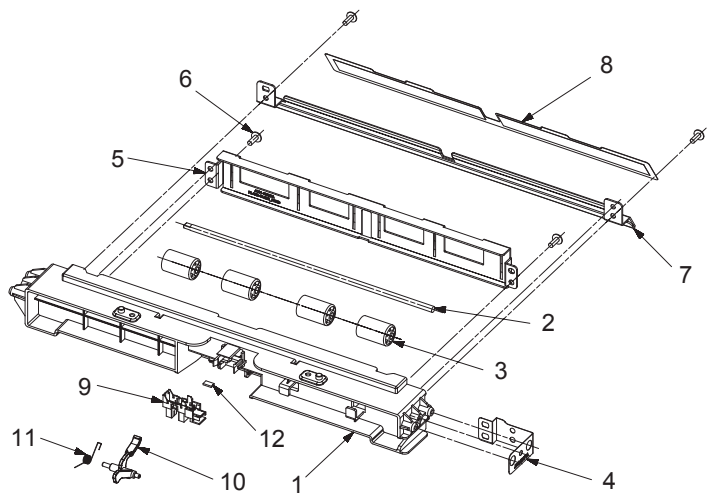
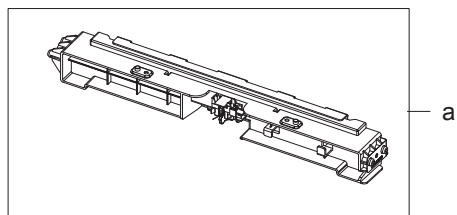
## SCF Parts List

SA : SERVICE AVAILABLE, SNA : SERVICE not AVAILABLE

Drawer#	SEC_Code	Description	QT'y	Service	Remark
0	JC90-01059A	SCF	1	SNA	
1	JC81-08629A	CSP-FRAME BOTTOM	1	SA	
2	JC61-03841A	HOLDER-ROLLER_CST	4	SNA	
3	JC70-20901A	IEX-SHAFT IDLE,F/UP	4	SNA	
4	JC61-03896A	ROLLER-CST BOTTOM	4	SNA	
5	ED11-00031A	ELA UNIT-FRAME RIGHT	1	SNA	
6	ED11-00030A	ELA UNIT-FRAME LEFT	1	SNA	
7	JC81-08706A	A/S COM-UNIT-PICKUP	1	SA	
8	JC61-00699A	BUSH-D6/L4	1	SNA	
9	6044-000125	RING-E(ID4)	1	SNA	
10	JC81-08619A	CSP-GEAR DRV PICK UP	1	SA	
11	JC81-08456A	CSP-SCF ROLLER REGI	1	SA	
12	JC61-00426A	BUSH-8/5	2	SNA	
13	6044-000231	RING-E(ID5)	2	SNA	
14	JC81-08708A	A/S COM-UNIT FEED	1	SA	
15	6002-000440	SCREW-TAPPING (M3XL8)	4	SNA	
16	JC81-08707A	A/S-UNIT DRIVE	1	SA	
17	6009-001665	SCREW-HEX (M3XL6)	9	SNA	
18	JC66-01837A	CLUTCH-2.5K Z24	1	SA	
19	JC81-08631A	CSP-BRKT CLUTCH PICKUP	1	SA	
20	JC61-00699A	BUSH-D6/L4	2	SNA	
21	JC66-00994C	CLUTCH-5K Z32	1	SA	

Drawer#	SEC_Code	Description	QT'y	Service	Remark
22	JC81-08592A	CSP-BRKT CLUTCH REGI H	1	SA	
23	ED91-00033A	DAGM-05(CABLE CLAMP)	2	SNA	
24	ED24-00030A	SHAFT-LOCK	1	SNA	
25	JC81-08468A	CSP-SCF HOOK LOCK	2	SA	
26	6044-000125	RING-E(ID4)	4	SNA	
27	JC81-08458A	CSP-SCF RACK GEAR	1	SA	
28	JC81-08709A	AS-PBA SCF MAIN	1	SA	
29	JC81-08461A	CSP-FRAME TOP	1	SA	
30	6003-000269	SCREW-TAPTITE (M3XL6)	24	SNA	
31	JC81-08469A	CSP-SCF BEAM FRONT	1	SA	
32	6107-001259	SPRING-ES	1	SNA	
33	JC81-08594A	CSP BRKT RIGHT DUMMY	1	SA	
34	JC81-09020A	CSP-CAP-HOUSING_SCF	1	SA	
35	6003-000169	SCREW-TAPPING (M3XL10)	11	SNA	
36	JC81-08593A	CSP-BRKT LEFT DUMMY	1	SA	
37	JC81-08454B	CSP-SCF DUMMY REAR	1	SA	
38	JC63-01942C	COVER-CASSETTE	1	SNA	
39	JC81-08893A	CSP-COVER-LEFT	1	SA	
40	JC81-08892A	CSP-COVER-RIGHT	1	SA	
41	JC81-08894A	CSP-COVER-FRONT-DUMMY	1	SA	
42	JC90-01057A	CASSETTE	1	SA	

### 8. SCF Sub units



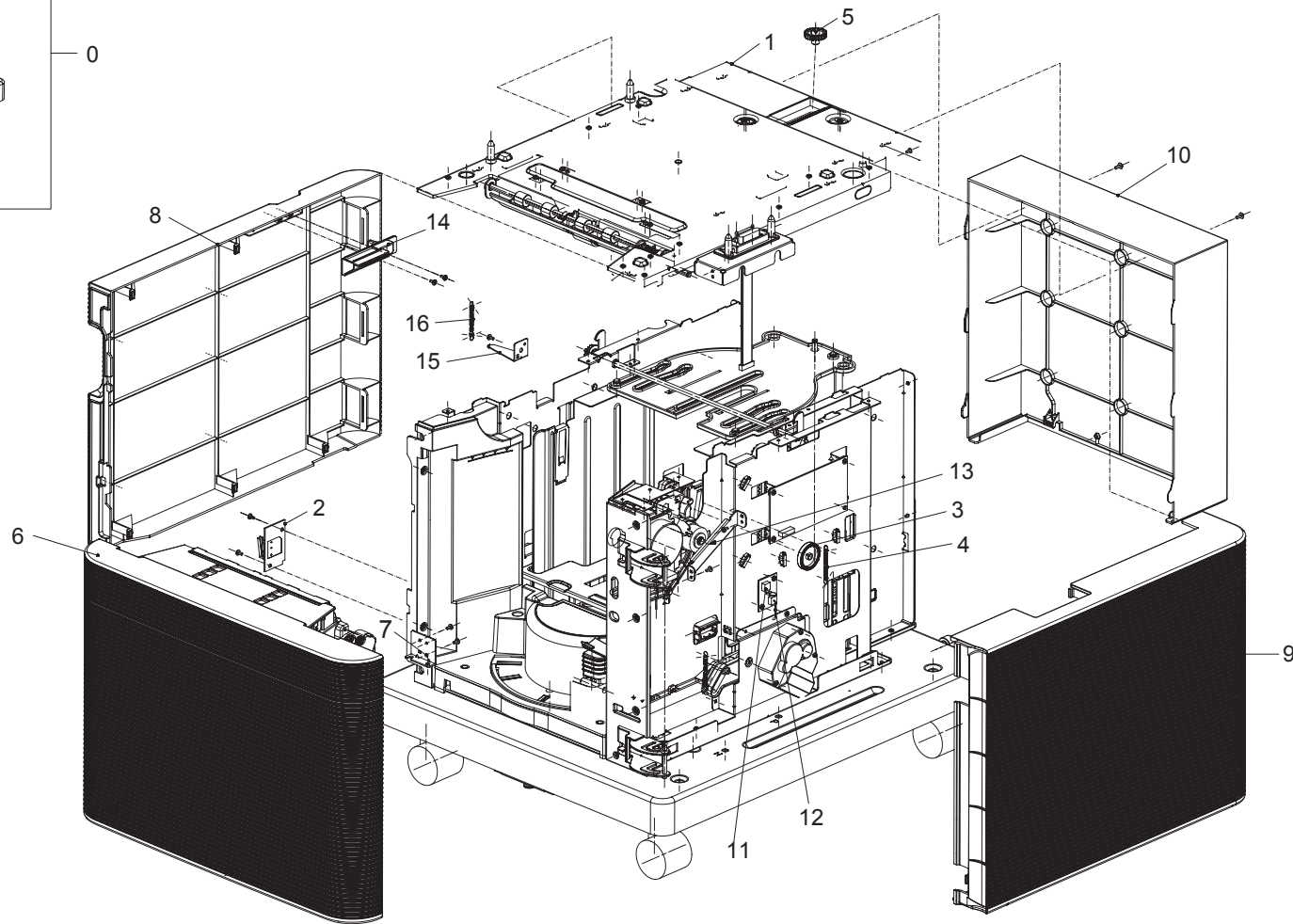
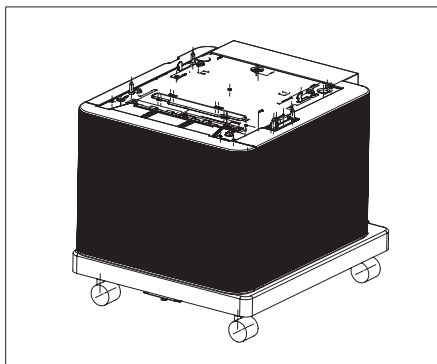
## SCF Sub units Parts List

SA : SERVICE AVAILABLE, SNA : SERVICE not AVAILABLE

Drawer#	SEC_Code	Description	QT'y	Service	Remark
a	JC81-08708A	A/S COM-UNIT FEED	1	SA	
1	JC81-08459A	CSP-SCF GUIDE FEED	1	SNA	
2	JC66-00661A	SHAFT-EXIT IDLE	1	SNA	
3	JC66-01022A	ROLLER-M_IDLE SCF	4	SNA	
4	JC81-08471A	CSP-SCF GROUND FEED	1	SNA	
5	JC81-08627A	CSP-PLATE GUIDE FEED	1	SNA	
6	6002-000440	SCREW-TAPPING (M3XL8)	4	SNA	
7	JC81-08465A	CSP-SCF PLATE GUIDE PAPER	1	SNA	
8	ED26-00008A	SHEET-GUIDE PAPER	1	SNA	
9	0604-001325	PHOTO-INTERRUPTER	1	SA	
10	JC81-08460A	CSP-SCF ACTUATOR FEED	1	SA	
11	ED31-00012A	SPRING-TS	1	SNA	
12	JC72-01403A	SPONGE-GUIDE OUTPUT	1	SNA	
b	JC81-08706A	A/S COM-UNIT-PICKUP	1	SA	
1	JC81-08455A	CSP-SCF FRAME PICKUP	1	SNA	
2	ED51-00043A	CBF HARNESS-HSCF SENSOR	1	SNA	
3	0604-001325	PHOTO-INTERRUPTER	2	SA	
4	JC66-02613A	ACTUATOR-PAPER_EMPTY	1	SA	
5	JC81-08620A	CSP-HOUSING PICK UP	1	SNA	
6	ED24-00031A	SHAFT-FORWARD	1	SNA	

Drawer#	SEC_Code	Description	QT'y	Service	Remark
7	JC61-00884A	BUSH-6_D(L)	1	SNA	
8	6044-000125	RING-E(ID4)	1	SNA	
9	JC97-02291A	MEA UNIT-GEAR ONE WAY	1	SA	
10	JC97-02292A	MEA UNIT-IDLE FORWARD	1	SA	
11	JC66-00940A	GEAR-M_IDLE PU	1	SNA	
12	JC66-00943A	GEAR-M_PU JOINT	1	SNA	
13	JC97-02259A	MEA UNIT-ROLLER PU	2	SA	
14	JC61-00699A	BUSH-D6/L4	1	SNA	
15	JC81-08470A	CSP-SCF GROUND PICKUP	1	SNA	
16	JC67-00468A	BRUSH-PICK	1	SNA	
17	JC66-01013A	ROLLER-M IDLE JF	3	SNA	
c	ED11-00031A	ELA UNIT-FRAME RIGHT	1	SNA	
1	JC81-08464A	CSP-SCF FRAME RIGHT	1	SNA	
2	JC81-08617A	CSP-GUIDE CASSETTE R	1	SNA	
3	JC34-00001A	SWITCH-SIGNAL	1	SA	
4	ED11-00028A	MEA UNIT-STOPPER CST	1	SNA	
5	JC81-08621A	CSP-LEVER PICK UP	1	SNA	
6	6107-001517	SPRING-ES	1	SNA	
7	JC81-08705A	AS-UNIT-LIFT	1	SA	
8	6002-000440	SCREW-TAPPING (M3XL8)	6	SNA	

### 9. HCF



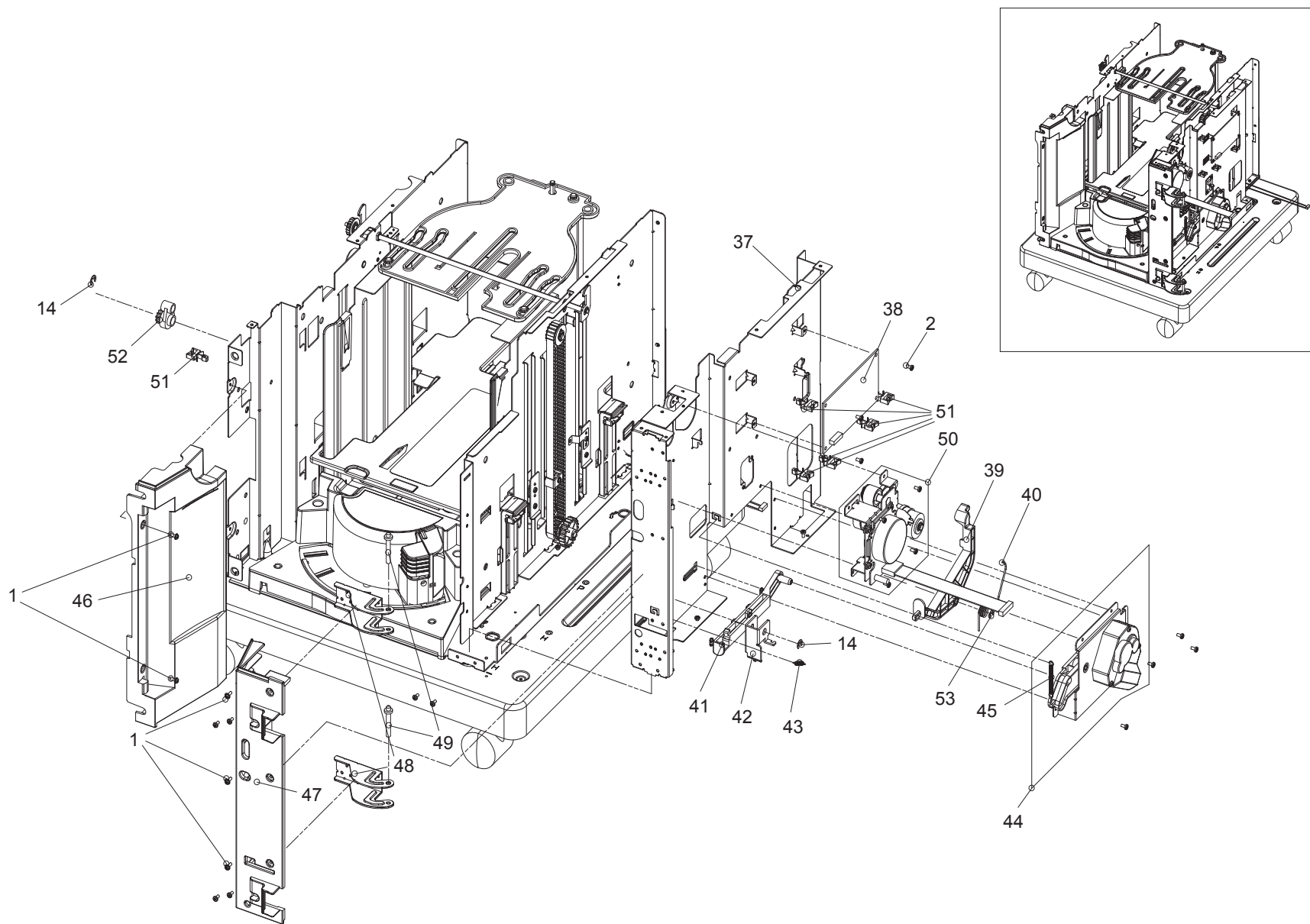
## HCF Parts List

SA : SERVICE AVAILABLE, SNA : SERVICE not AVAILABLE

Drawer#	SEC_Code	Description	QT'y	Service	Remark
0	JC90-01058A	HCF	1	SNA	
1	ED11-00044A	ELA HOU-UPPER_HCF	10	SNA	
2	JC92-02093A	PBA SUB-SCF_COVER	1	SA	
3	JC66-00974A	GEAR-M_FORWARD	1	SA	
4	6107-001259	SPRING-ES	1	SA	
5	JC81-06314A	AS-GEAR_GUIDE_REAR	1	SA	
6	JC81-08895A	CSP-COVER-FRONT	1	SA	
7	JC81-08002A	CSP-BRKT-HINGE	1	SA	
8	JC81-08896A	CSP-COVER-SIDE_L	1	SA	

Drawer#	SEC_Code	Description	QT'y	Service	Remark
9	JC81-08897A	CSP-COVER-SIDE_R	1	SA	
10	JC81-08041B	CSP-COVER-REAR	1	SA	
11	JC81-06341A	AS-PTC_BOARD	1	SA	
12	ED51-00040A	CBF HARNESS-PTC	1	SA	
13	JC81-08924A	BRKT-SUPPORT HINGE	1	SNA	
14	JC81-08457A	HANDLE-LOCKER	1	SA	
15	JC81-08448A	BRKT-SPRING	1	SA	
16	6107-001259	SPRING-ES	1	SA	

### 9.1 HCF Sub1



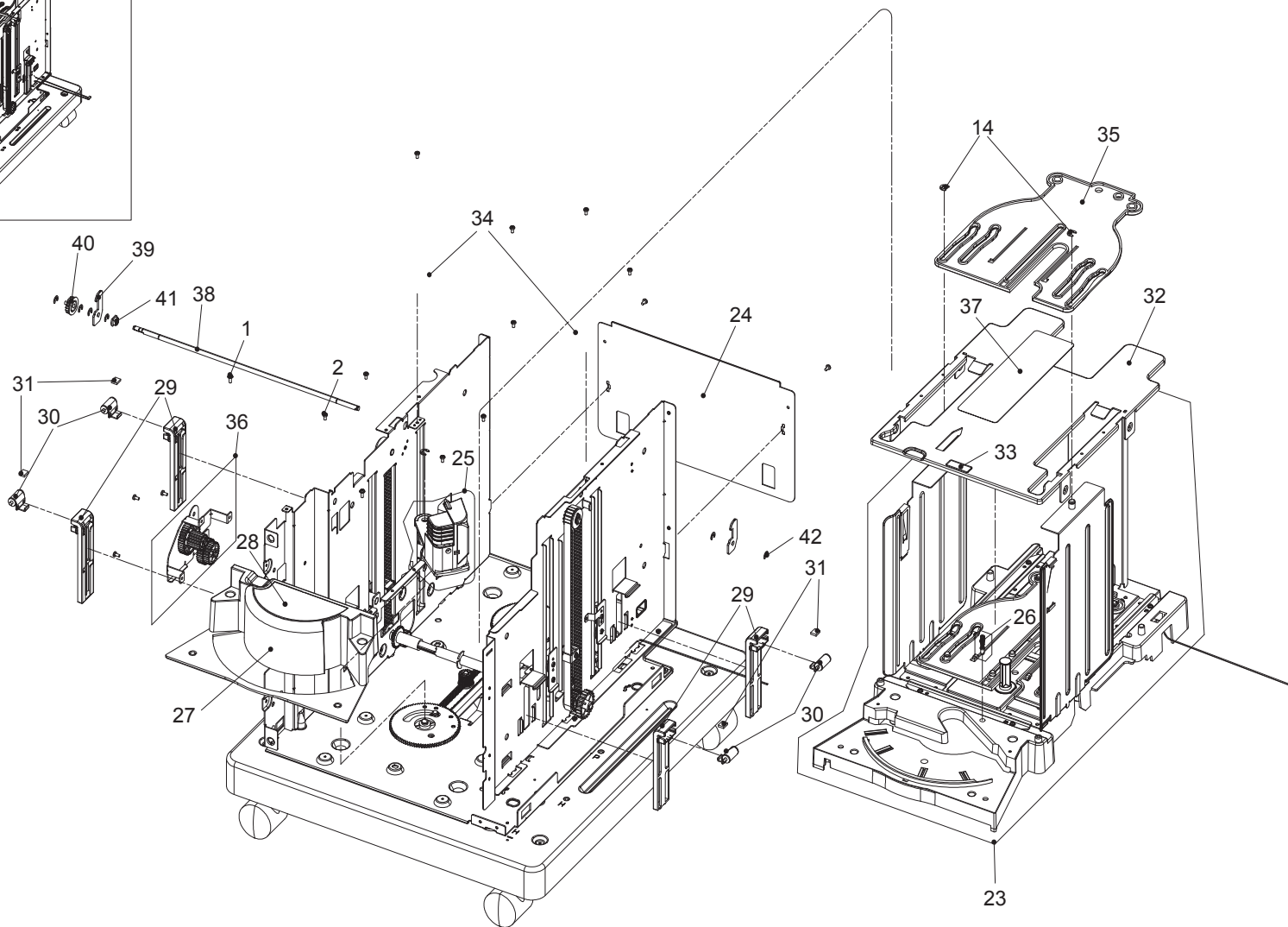
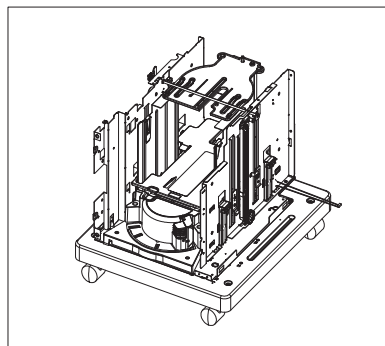
## HCF Sub1 Parts List

SA : SERVICE AVAILABLE, SNA : SERVICE not AVAILABLE

Drawer#	SEC_Code	Description	QT'y	Service	Remark
37	JC81-08201A	CSP-PLATE-SIDE R	1	SNA	
38	JC92-02094B	PBA-SUB HCF	1	SA	
39	JC81-08155A	CSP-LEVER-ARM FRICTION	1	SNA	
40	ED31-00008A	SPRING-TS	1	SNA	
41	JC81-08156A	CSP-LEVER-MOTOR	1	SNA	
42	JC81-08009A	CSP-BRKT-LEVER-MOTOR	1	SNA	
43	ED31-00013A	SPRING-CS	1	SNA	
44	JC81-06316A	AS-UNIT_LIFT_MOTOR	1	SA	
45	6107-001259	SPRING-ES	1	SA	

Drawer#	SEC_Code	Description	QT'y	Service	Remark
46	JC81-08440B	COVER-DUMMY L	1	SNA	
47	JC81-08032B	COVER-DUMMY R	1	SNA	
48	JC81-08444A	CSP-HCF PLATE HINGE BRKT	2	SNA	
49	ED24-00012A	CSP-SHAFT-HINGE DOOR	2	SNA	
50	ED11-00004A	SUB-HCF DIRVE	1	SNA	
51	6502-001132	SADDLE	6	SNA	
52	JC66-01425B	MID TORQUE-DAMPER	1	SNA	
53	6044-000125	RING-E	1	SNA	

## 9.2 HCF Sub2





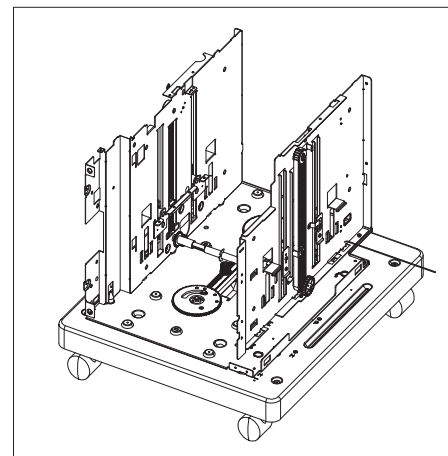
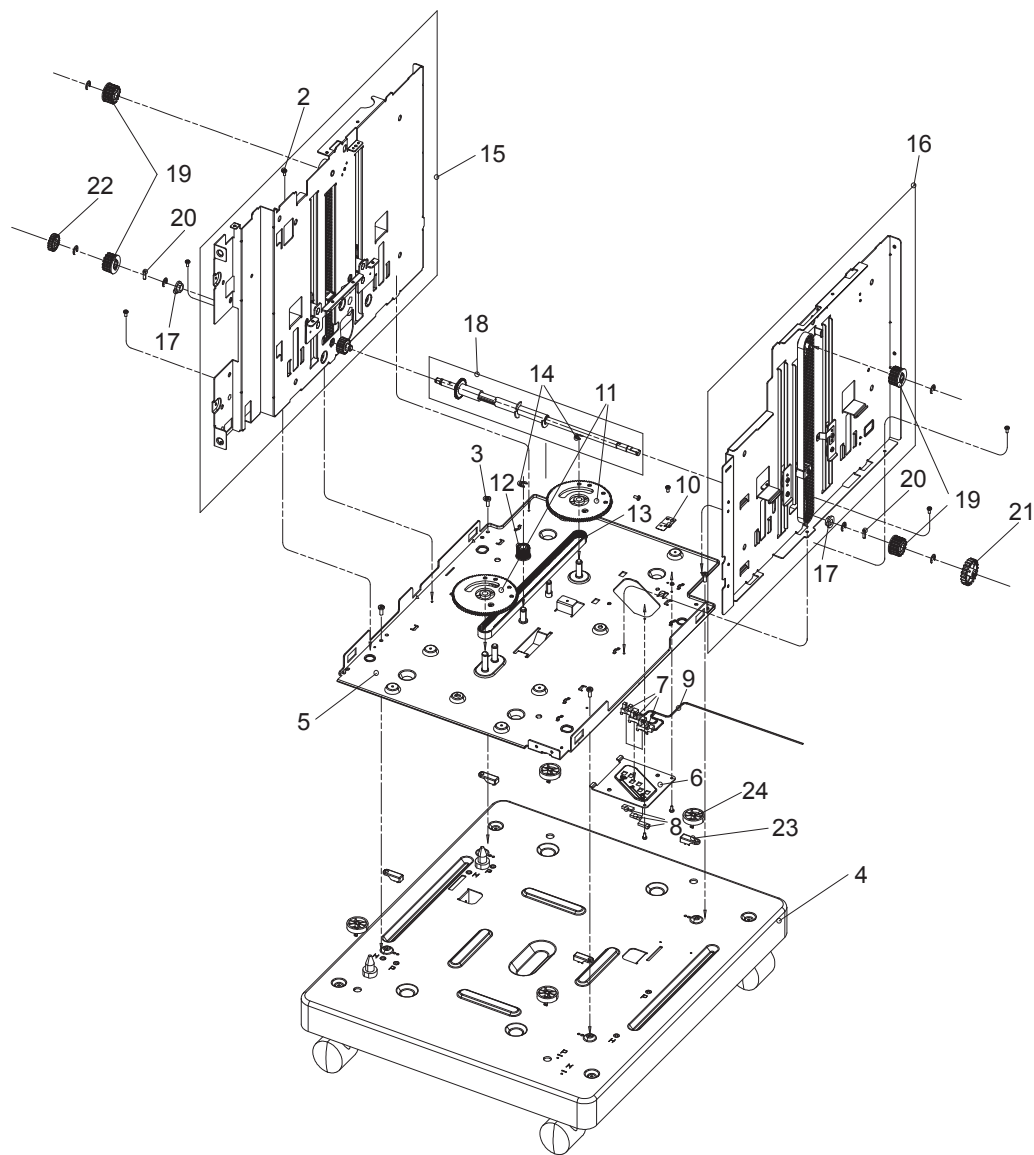
## HCF Sub2 Parts List

SA : SERVICE AVAILABLE, SNA : SERVICE not AVAILABLE

Drawer#	SEC_Code	Description	QT'y	Service	Remark
23	ED11-00040A	AS-UNIT-CASSETTE HCF	1	SA	
24	JC81-08196A	CSP-PLATE-REAR	1	SNA	
25	ED11-00041A	AS-UNIT-GUIDE HANDLE	1	SA	
26	ED11-00042A	MEA UNIT-TERMINAL :TR	1	SNA	
27	JC81-08035C	CSP-COVER-INNER FRONT	1	SNA	
28	ED26-00002A	LABEL(L)-INSTALLATION	1	SNA	
29	JC81-06075A	AS-GUIDE SPRING ROLL	4	SA	
30	JC81-06074A	AS-UNIT SPRING ROLL	4	SA	
31	ED91-00021A	RUBBER-CUSHION	4	SNA	
32	JC81-08181A	CSP-PLATE-KNOCK UP	1	SNA	

Drawer#	SEC_Code	Description	QT'y	Service	Remark
33	JC69-00494A	PAD MP	1	SNA	
34	JC70-11028A	IPR-GROUND-TOP	2	SNA	
35	JC81-08131A	CSP-GUIDE-SIDE RAIL	1	SNA	
36	ED11-00043A	AS-UNIT-REDUCTION	1	SA	
37	ED26-00009A	SHEET-PAPER	1	SNA	
38	ED24-00034A	SHAFT-LOCK_HCF	1	SNA	
39	JC81-08468A	HOOK-LOOK	2	SNA	
40	JC81-08458A	GEAR-PINION	1	SNA	
41	ED91-00017A	BUSH-6_D(L5)	1	SNA	
42	6044-000125	RING-E	6	SNA	

### 9.3 HCF Sub3



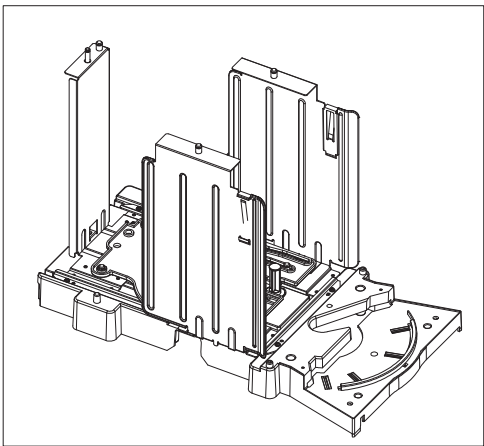
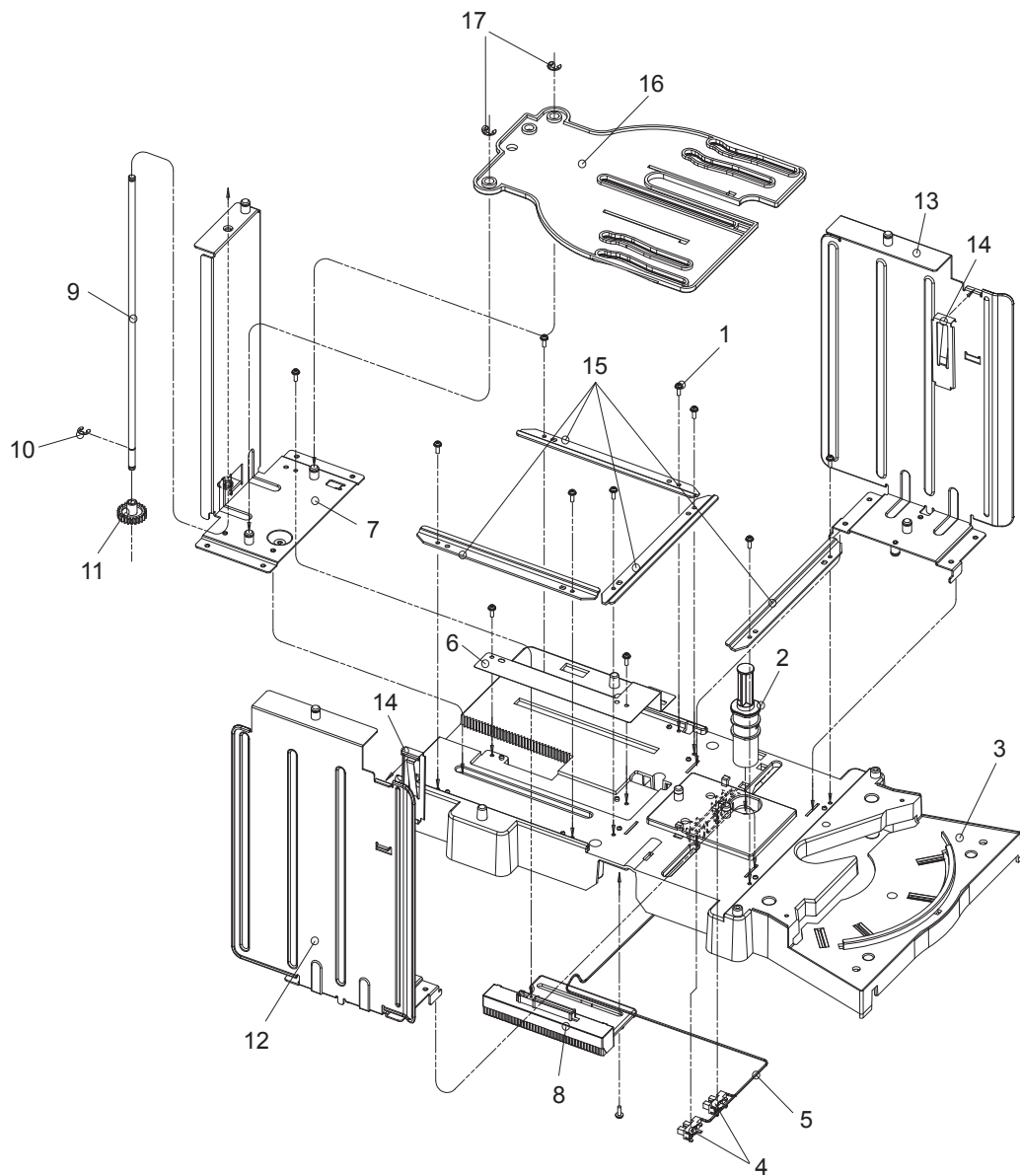
## HCF Sub3 Parts List

SA : SERVICE AVAILABLE, SNA : SERVICE not AVAILABLE

Drawer#	SEC_Code	Description	QT'y	Service	Remark
1	6002-000440	SCREW-TAPPING	14	SNA	
2	6003-000269	SCREW-TAPTYPE	68	SNA	
3	ED32-00007A	SCREW-TAPTYPE	4	SNA	
4	JC98-01679D	CSP-UNIT STAND	1	SA	
5	JC81-08175A	CSP-PLATE-BOTTOM	1	SNA	
6	JC81-08004A	CSP-BRKT-HOLDER SENSOR	1	SNA	
7	0604-001095	PHOTO-INTERRUPTER	3	SA	
8	ED91-00018A	RUBBER-PHOTO	3	SNA	
9	ED51-00006A	CBF HARNESS-PAPER SIZE	1	SNA	
10	JC63-00675A	GROUND-P-PAPER_SIZE	1	SNA	
11	JC81-06326A	CSP-GEAR-PULLEY_FRONT	2	SA	
12	JC81-08209A	CSP-PULLEY-LOWER BELT	1	SNA	

Drawer#	SEC_Code	Description	QT'y	Service	Remark
13	ED91-00036A	TIMING BELT_S5M	1	SA	
14	6044-000129	RING-E	11	SNA	
15	ED11-00038A	AS-UNIT-LIFT_L	1	SA	
16	ED11-00039A	AS-UNIT-LIFT_R	1	SA	
17	JC61-00426A	BUSH-8/5	2	SNA	
18	JC81-06312A	AS-UNIT-PAPER LEVEL	1	SA	
19	JC81-08209A	PULLEY-LOWER BELT	4	SNA	
20	ED91-00006A	SPRING-PIN PULLEY	2	SNA	
21	JC81-06327A	AS-GEAR LIFT	1	SA	
22	JC66-00854A	GEAR-M-EXIT DUP Z21	1	SNA	
23	JC81-08927A	CSP-SPACER_STAND	4	SNA	
24	JC81-08926A	CSP-FOOT_STAND	4	SNA	

### 9.4 HCF Sub4



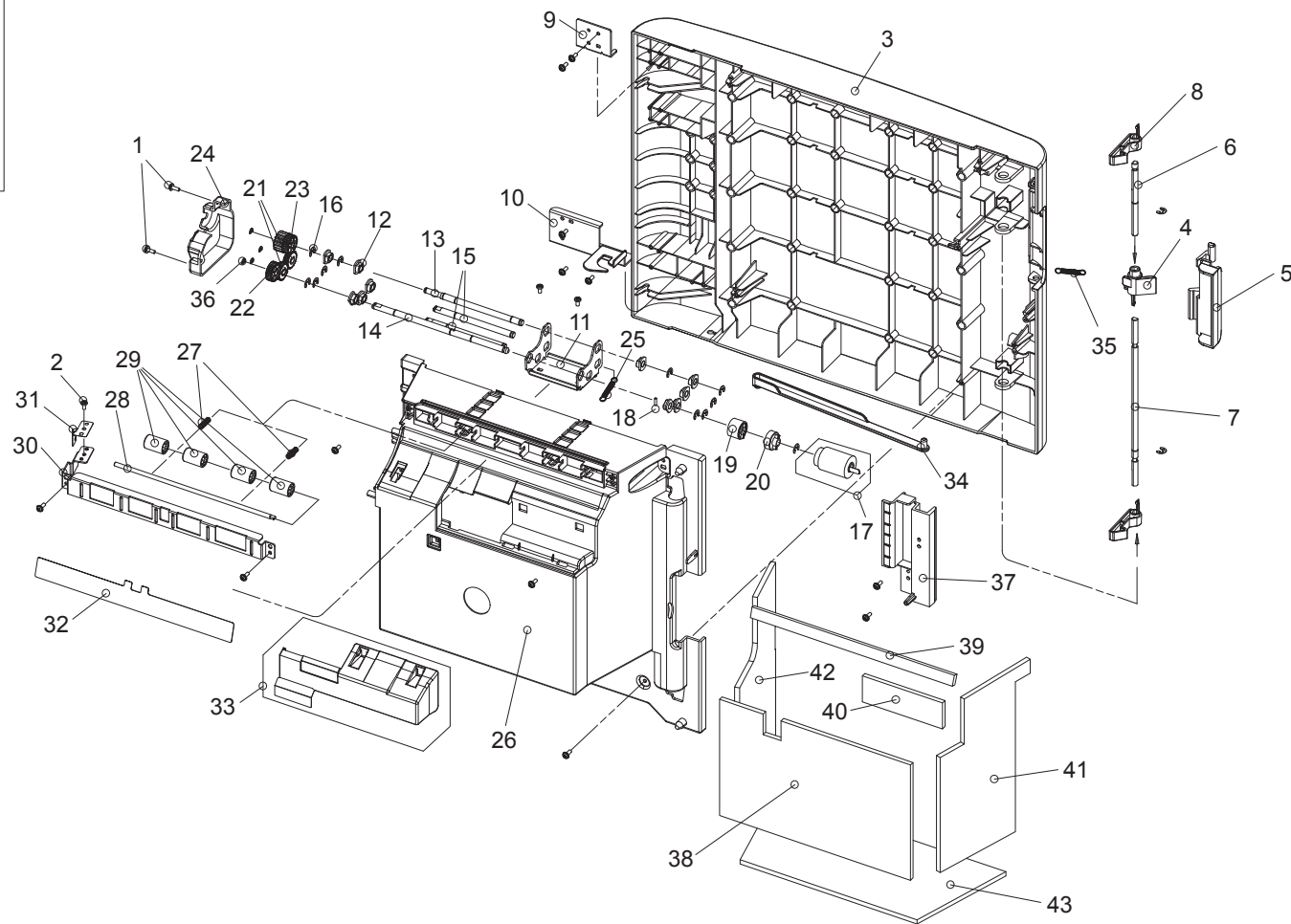
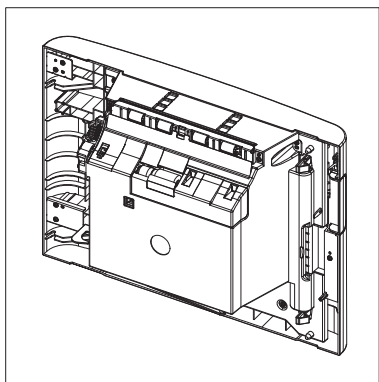
## HCF Sub4 Parts List

SA : SERVICE AVAILABLE, SNA : SERVICE not AVAILABLE

Drawer#	SEC_Code	Description	QT'y	Service	Remark
0	ED11-00040A	AS-UNIT-CASSETTE_HCF	1	SA	
1	6002-000440	SCREW-TAPPING	12	SNA	
2	JC66-01932B	DAMPER-OPEN	1	SNA	
3	JC81-08085C	CSP-FRAME-CASSETTE	1	SNA	
4	0604-001095	PHOTO-INTERRUPTER	2	SA	
5	ED51-00004A	CBF HARNESS-PAPER LEVEL	1	SNA	
6	JC81-08105A	CSP-GROUND-REAR HCF	1	SNA	
7	JC81-08195A	CSP-PLATE-PAPER REAR	1	SNA	
8	JC82-08213A	CSP-RACK-GEAR REAR	1	SNA	

Drawer#	SEC_Code	Description	QT'y	Service	Remark
9	ED24-00007A	SHAFT-GUIDE REAR	1	SNA	
10	6044-000231	RING-E	1	SNA	
11	JC81-06314A	AS-GEAR_GUIDE REAR	1	SA	
12	JC81-08191A	CSP-PLATE-PAPER SIDE L	1	SNA	
13	JC81-08193A	CSP-PLATE-PAPER SIDE R	1	SNA	
14	JC70-10929A	IPR-SPR PLATE G/SIDE	2	SNA	
15	JC81-08718A	CSP-PLATE-GUIDE RAIL	4	SNA	
16	JC81-08131A	CSP-GUIDE-SIDE RAIL	1	SNA	
17	6044-000129	RING-E	2	SNA	

9.5 HCF Sub5



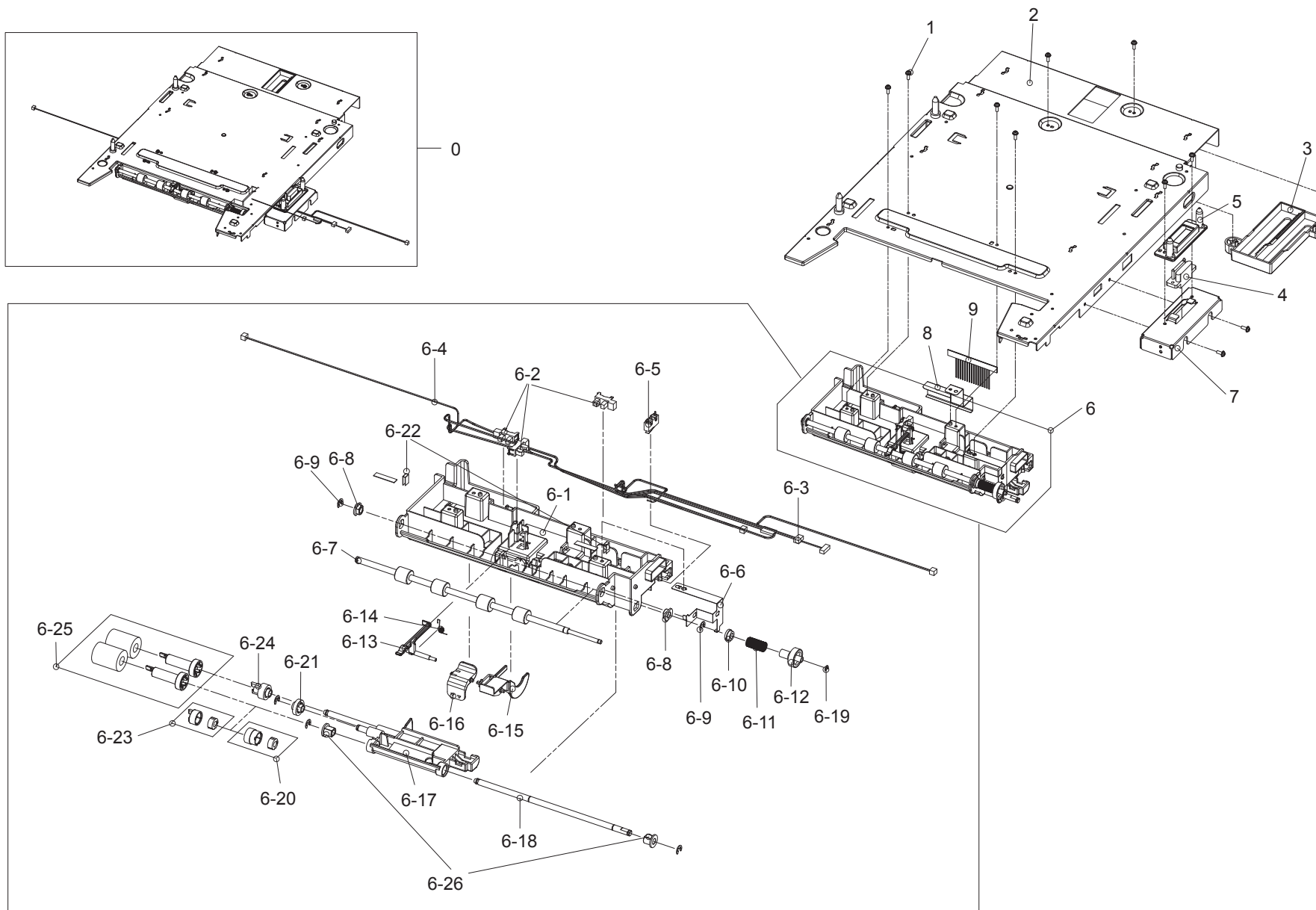
## HCF Sub5 Parts List

SA : SERVICE AVAILABLE, SNA : SERVICE not AVAILABLE

Drawer#	SEC_Code	Description	QT'y	Service	Remark
0	ED11-00045A	AS-UNIT-DOOR_FRONT	1	SA	
1	6002-000440	SCREW-TAPPING	11	SNA	
2	6003-000269	SCREW-TAPTYPE	4	SNA	
3	JC81-08895A	CSP-COVER-FRONT	1	SNA	
4	JC66-02200A	LEVER-HANDLE CST	1	SNA	
5	JC81-08437B	CSP-HANDLE-DOOR	1	SNA	
6	ED24-00033A	SHAFT-HINGE L	1	SNA	
7	ED24-00032A	SHAFT-HINGE R	1	SNA	
8	JC64-00482A	LOCKER-CASSETTE	2	SNA	
9	JC81-08002A	CSP-BRKT-HINGE	1	SNA	
10	JC81-08446A	CSP-HCF BRKT HINGE GEARED	1	SNA	
11	JC81-08013A	CSP-BRKT-RETARD	1	SNA	
12	ED91-00017A	BUSH-6_D	10	SNA	
13	ED24-00009A	SHAFT-RETARD M	1	SNA	
14	ED24-00010A	SHAFT-RETARD S	1	SNA	
15	ED24-00014A	SHAFT-RETARD I	2	SNA	
16	6044-000125	RING-E	1	SNA	
17	JC97-02259A	MEA UNIT-ROLLER PU	1	SA	
18	JC66-00939A	SHAFT-LOCK	1	SNA	
19	JC67-00126A	COUPLER-TORQUE LIMITER	1	SA	
20	JC66-00976A	JOINT-M_RETARD	1	SNA	
21	JC66-01667A	GEAR_CLUTCH	2	SNA	
22	JC81-08095A	CSP-GEAR-RETARD_ACT	1	SNA	

Drawer#	SEC_Code	Description	QT'y	Service	Remark
23	JC81-08096A	CSP-GEAR-RETARD CON	1	SNA	
24	JC81-08046C	COVER-RETARD_GEAR	1	SNA	
25	ED31-00014A	SPRING-ES	1	SNA	
26	JC81-08044C	COVER-RETARD	1	SNA	
27	JC61-70959B	SPRING-ETC-FEED	2	SNA	
28	JC66-00661A	SHAFT-EXIT IDLE	1	SNA	
29	JC66-01022B	ROLLER-M_IDLE SCF	4	SNA	
30	JC81-08200A	CSP-PLATE-ROLLER GUIDE	1	SNA	
31	JC63-00824A	GROUND-P-DOOR INNER	1	SNA	
32	ED26-00004A	SHEET-GUIDE FILM HCF	1	SNA	
33	JC81-06325B	AS-SUB-RETARD_DUMMY	1	SA	
34	JC81-08159C	LINK-DOOR OPEN	1	SNA	
35	6107-001761	SPRING-ES	1	SNA	
36	6044-000159	RING-C	4	SNA	
37	JC81-08439B	CSP-COVER_FRONT_DUMMY	1	SNA	
38	ED91-00043A	SOUNDPROOF-SHEET-FRONT	1	SNA	
39	ED91-00044A	SOUNDPROOF-SHEET-FRONT DUMMY LONG	1	SNA	
40	ED91-00045A	SOUNDPROOF-SHEET-FRONT DUMMY SHORT	1	SNA	
41	ED91-00038A	SOUNDPROOF-SHEET-LEFT	1	SNA	
42	ED91-00039A	SOUNDPROOF-SHEET-RIGHT	1	SNA	
43	ED91-00040A	SOUNDPROOF-SHEET-BOTTOM	1	SNA	

### 9.6 HCF Sub6





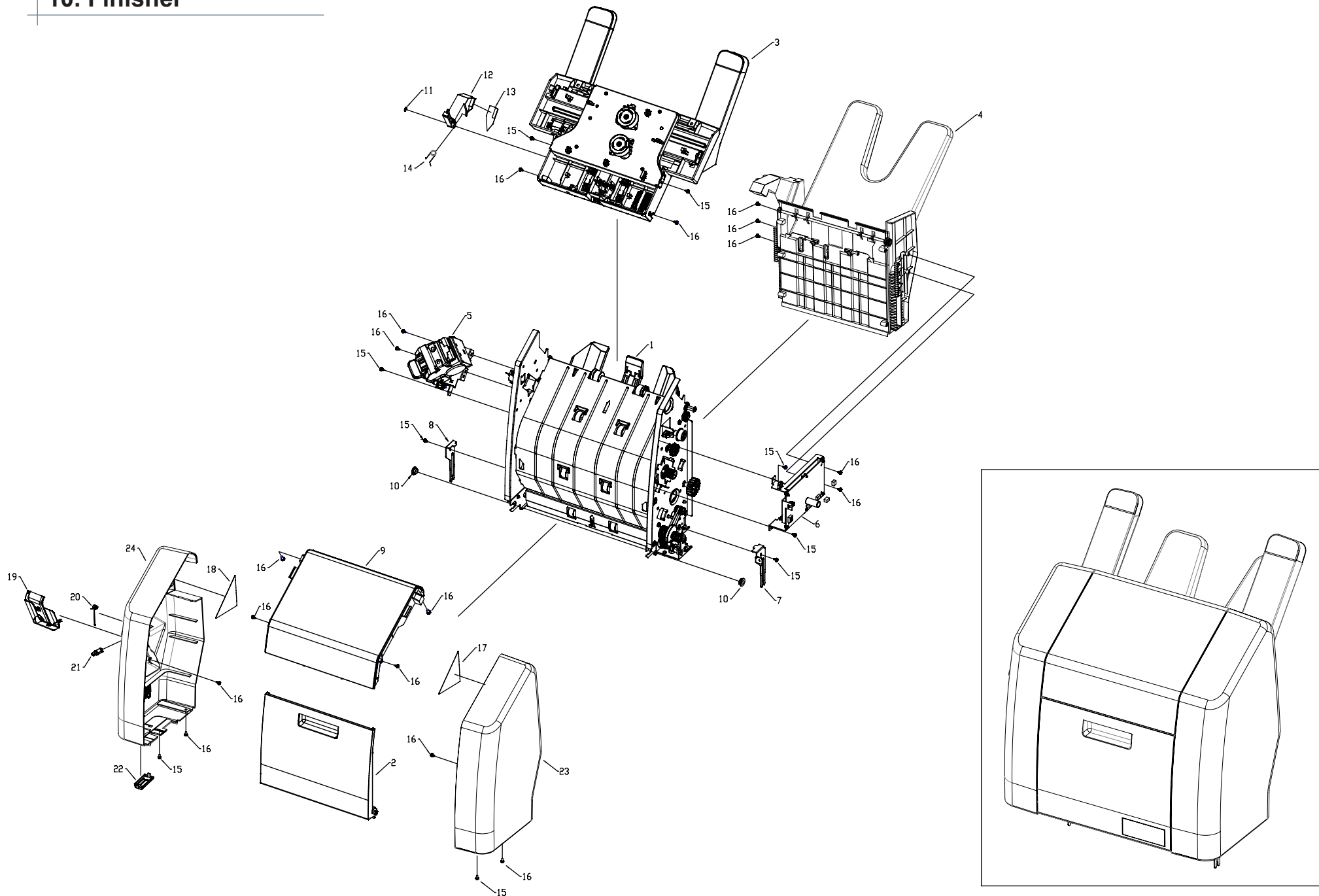
## HCF Sub6 Parts List

SA : SERVICE AVAILABLE, SNA : SERVICE not AVAILABLE

Drawer#	SEC_Code	Description	QT'y	Service	Remark
0	ED11-00044A	ELA HOU-UPPER HCF	1	SNA	
1	6002-000440	SCREW-TAPPING	10	SNA	
2	JC81-08205B	CSP-PLATE-TOP HCF	1	SNA	
3	JC81-08132A	CSP-GUIDE-TOP REAR_DUMMY	1	SNA	
4	ED51-00041A	AS-CBF-HARNESS_HCF	1	SA	
5	JC61-01742A	HOLDER-CONNECTOR_SCF	1	SA	
6	JC81-06321B	AS-UNIT-PICK_UP	1	SA	
6-1	ED11-00046A	CSP-FRAME-BASE_PICK UP	1	SNA	
6-2	JC81-08083A	PHOTO-INTERRUPTER	1	SA	
6-3	0604-001095	CBF HARNESS-SENSOR	3	SNA	
6-4	ED51-00009A	CBF HARNESS-COVER OPEN	1	SNA	
6-5	ED51-00010A	HARNESS-MOTOR_SW	1	SNA	
6-6	JC81-08106A	CSP-GROUND-SHAFT PU	1	SNA	
6-7	ED24-00013A	ROLLER-HCF DRV	1	SNA	
6-8	ED91-00017A	BUSH-6_D	2	SNA	
6-9	6044-000125	RING-E	5	SNA	
6-10	JG72-40732A	PMO-BUSHING HOLDER	1	SNA	
6-11	JC61-00062A	SPRING ETC-CLUTCH	1	SNA	

Drawer#	SEC_Code	Description	QT'y	Service	Remark
6-12	JC66-00964A	GEAR-M_FEED SCF	1	SA	
6-13	JC66-01275A	ACTUATOR-FEED	1	SNA	
6-14	6107-001261	SPRING-TS	1	SNA	
6-15	JC61-01350A	LEG-M_ACT NO PAPER	1	SNA	
6-16	JC81-06322A	AS-LIMITIED PAPER	1	SA	
6-17	JC61-01299A	GUIDE-M_UPPER PICK UP	1	SNA	
6-18	ED24-00008A	SHAFT-PICK UP	1	SNA	
6-19	6044-000159	RING-C	1	SNA	
6-20	JC97-02291A	MEA UNIT-GEAR ONE WAY	1	SNA	
6-21	JC66-00940A	GEAR-M_IDLE PU	1	SNA	
6-22	ED91-00022A	PORON PICK UP	2	SNA	
6-23	JC97-02292A	MEA UNIT-IDLE FORWARD	1	SNA	
6-24	JC66-00943A	GEAR-M PU JOINT	1	SNA	
6-25	JC97-02259A	MEA UNIT-ROLLER PU	2	SA	
6-26	JC61-00884A	BUSH-6_D	2	SNA	
7	JC81-08447A	CSP-HCF BRKT CONNECTOR	1	SA	
8	JC81-08925A	CSP-GROUND PICKUP HCF	1	SA	
9	JC67-00468A	BRUSH-PICK	1	SA	

# 10. Finisher



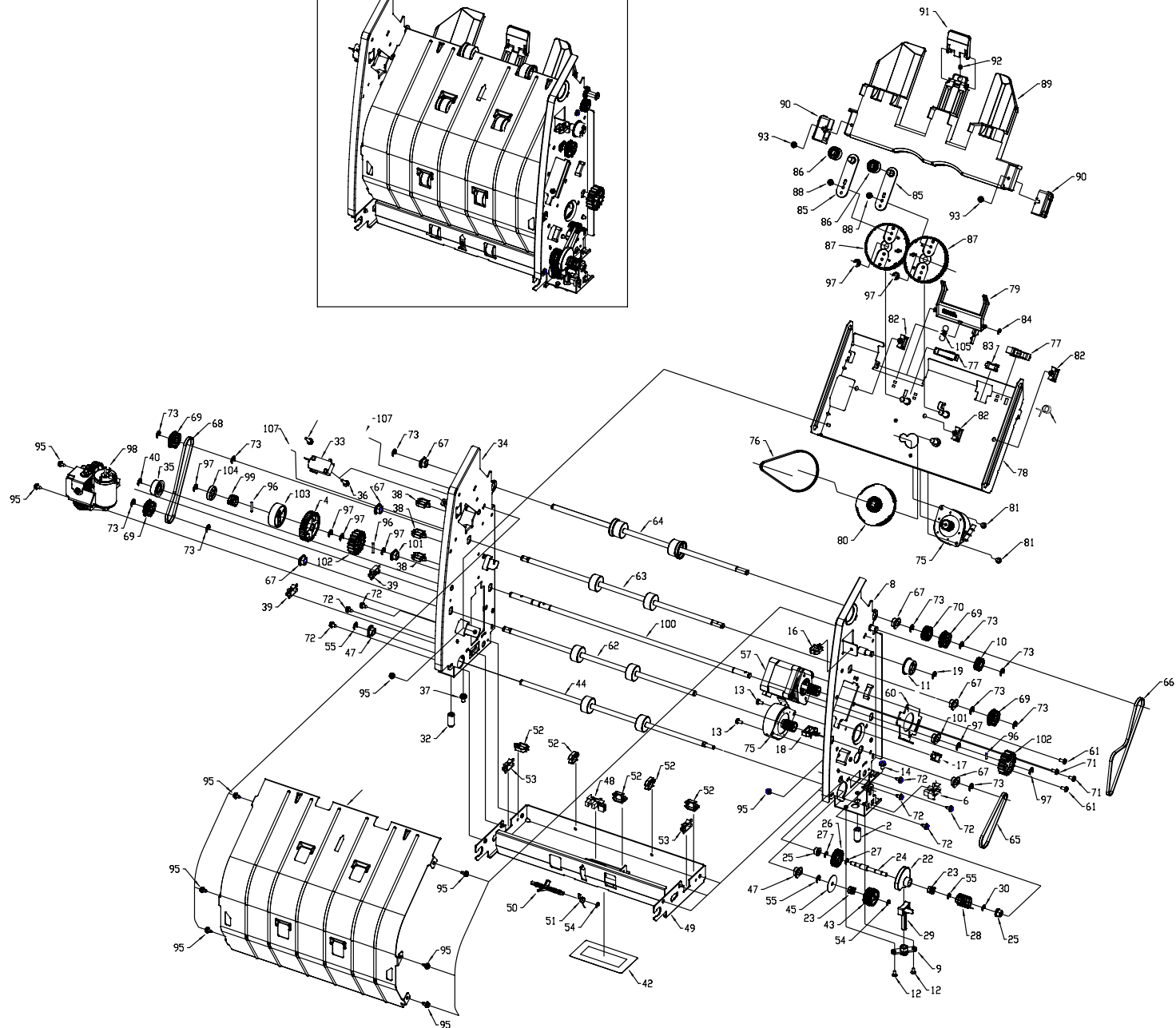
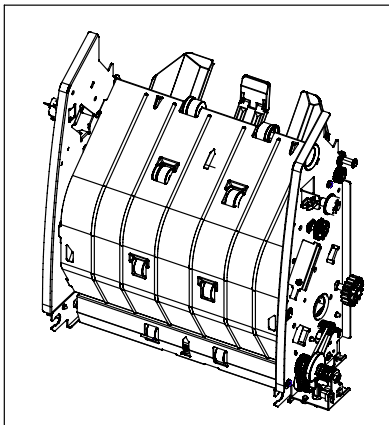
## Finisher Parts List

SA : SERVICE AVAILABLE, SNA : SERVICE not AVAILABLE

Drawer#	SEC_Code	Description	QT'y	Service	Remark
1	HF10 1101	FRAME TOTAL ASS'Y	1	SNA	
2	HF10 2115	JAM GUIDE ASS'Y	1	SNA	
3	HF10 3111	TAMPER TOTAL ASS'Y	1	SNA	
4	HFLO 5115	STACKER SHIELD TRAY ASS'Y	1	SNA	
5	HFLO 5175	STAPLER ASS'Y	1	SNA	
6	HFLO 8101	PCB ASS'Y	1	SNA	
7	JC81-08527A	CSP-FRAME DOCKING FRONT	1	SA	
8	JC81-08529A	CSP-FRAME DOCKING REAR	1	SA	
9	JC81-08568A	CSP-COVER TOP	1	SA	
10	JC61-00426A	BUSH:8/5	2	SA	
11	1720 0040G	E-RING:Φ4	1	SNA	
12	JC81-08561A	CSP-GUIDE UPPER STAPLER	1	SA	
13	HF10 5911A	MYLAR GUIDE UPPER STAPLER	1	SNA	

Drawer#	SEC_Code	Description	QT'y	Service	Remark
14	HF10 5610A	SPRING SAFETY	1	SNA	
15	0451 3006N	HEXAGON HEADED SCREW:M3*6:T3	9	SNA	
16	0450 4010N	HEXAGON HEADED SCREW: M4*10: T3	16	SNA	
17	HF10 6811A	LABEL COVER FRONT	1	SNA	
18	HF10 6821A	LABEL COVER REAR	1	SNA	
19	JC81-08569A	COVER DOOR STAPLER	1	SA	
20	HF10 6612A	T-SPRING STAPLE DOOR	1	SNA	
21	HF10 6912A	LOCKER LATCH DC	1	SNA	
22	JC81-07284A	COVER DRAW CN FRAME	1	SA	
23	JC81-08564A	COVER FRONT	1	SA	
24	JC81-08567A	COVER REAR	1	SA	

# 10.1 FRAME TOTAL ASS'Y



## Finisher Sub1 Parts List

SA : SERVICE AVAILABLE, SNA : SERVICE not AVAILABLE

Drawer#	SEC_Code	Description	QT'y	Service	Remark
1	HF10 1101	FRAME TOTAL ASS'Y	1	SNA	
2	HF10 1415	STUD MOUNT HF	1	SNA	
3	JC81-03478A	ASS'Y PM MOTOR S2M20T	1	SA	
4	JC81-08577A	CSP-GEAR LATCH STACKER	1	SA	
5	JC81-08533A	CSP-GUIDE FEED INNER	1	SA	
6	JC81-07420A	AS-SENSOR KIT5011C	1	SA	
7	JC81-07726A	CSP-BKT EARTH MOTOR	1	SA	
8	JC81-08524A	CSP-SIDE PLATE FRONT	1	SA	
9	JC81-08544A	CSP-BUSH GUIDE DIVERTER ACTUATOR	1	SA	
10	JC81-08571A	CSP-GEAR M08 Z18	1	SA	
11	SJ10 2312	ROLLER TIGHTNER	2	SNA	
12	0323 0060N	COUNTERSINK SCREW:M3*6:PC	2	SNA	
13	0353 0060N	BIND HEADED SCREW:M3*6:PC	2	SNA	
14	0360 4006N	HEXAGON HEADED SCREW:M4*6:PC	1	SNA	
15	0451 3006N	HEXAGON HEADED SCREW:M3*6:T3	2	SNA	
16	1105 0232	MICRO WIRE SADDLE	1	SNA	
17	1105 0328	COVER SADDLE:DS-1	2	SNA	
18	1105 0310	SIDE LOCKING SADDLE	2	SNA	
19	1720 0040G	E-RING:Φ4	1	SNA	
20	HF10 2134	DIVERTER CAM GEAR ASS'Y	1	SNA	
21	HF10 2136	DIVERTER CAM ASS'Y	1	SNA	
22	JC81-08542A	CSP-CAM ACTUATOR DIVERTER	1	SA	
23	SJ10 2506	ONE-WAY BEARING HF0406KFR	2	SNA	
24	HF10 2455	SHAFT CAM DIVERTER ACTUATOR	2	SNA	
25	JC61-00424A	BUSH-4D	1	SA	
26	JC81-08573A	CSP-GEAR M08 Z25	3	SA	
27	1720 0030G	E-RING:Φ3	1	SNA	

Drawer#	SEC_Code	Description	QT'y	Service	Remark
28	HF10 2633	C-SPRING DIVERTER	1	SNA	
29	JC81-08541A	CSP-ACTUATOR DIVERTER DRIVE	1	SA	
30	1720 0030G	E-RING:Φ3	1	SNA	
31	HF10 1115	REAR FRAME ASS'Y	1	SNA	
32	HF10 1415	STUD MOUNT HF	1	SNA	
33	MSW3 3143	MICRO SWITCH VP333A-4D	1	SNA	
34	JC81-08526A	CSP-SIDE PLATE REAR	1	SA	
35	SJ10 2312	ROLLER TIGHTNER	1	SNA	
36	0360 3014N	HEXAGON HEADED SCREW:M3*14:PC	2	SNA	
37	0360 4006N	HEXAGON HEADED SCREW:M4*6:PC	4	SNA	
38	1105 0232	MICRO WIRE SADDLE	2	SNA	
39	1105 0328	COVER SADDLE:DS-1	1	SNA	
40	1720 0040G	E-RING:Φ4	1	SNA	
41	HF10 1117	BASE FRAME ASS'Y	1	SNA	
42	HF10 1825	LABEL COVER LOWER BASE	1	SNA	
43	HF10 2151	ENT PULLET GEAR ASS'Y	1	SNA	
44	JC81-08578A	CSP-ROLLER FEED ENTRANCE	1	SNA	
45	HF10 2813	MYLAR FLANGE ENT ROLLER	1	SNA	
46	HF10 8305	MH ASS'Y ETC	2	SNA	
47	JC61-00423A	BUSH-6D	1	SA	
48	JC81-07420A	AS-SENSOR KIT5011C	1	SA	
49	JC81-08528A	CSP-BASE LOWER	1	SA	
50	JC81-08540A	CSP-ACTUATOR PAPER PATH	1	SA	
51	SJ10 2682	T-SPRING ACTUATOR FEED	5	SNA	
52	1105 0232	MICRO WIRE SADDLE	2	SNA	
53	1105 0328	COVER SADDLE:DS-1	2	SNA	
54	1720 0030G	E-RING:Φ3	2	SNA	
55	1720 0040G	E-RING:Φ4	1	SNA	

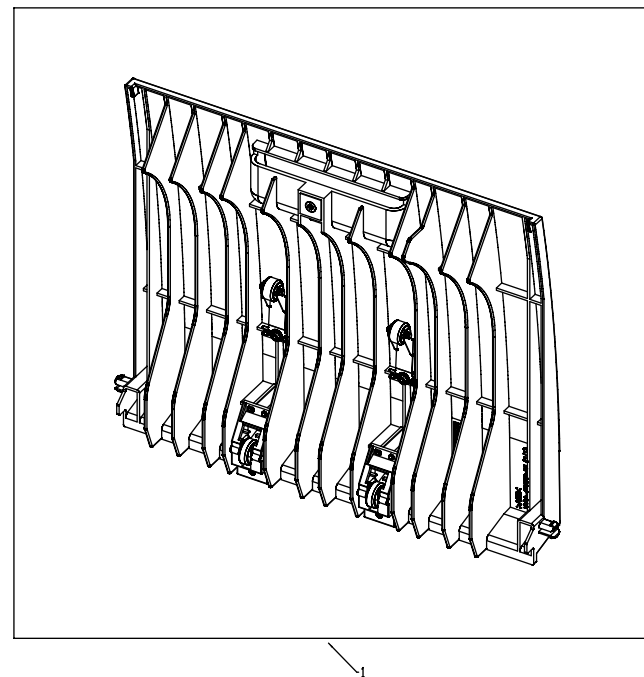
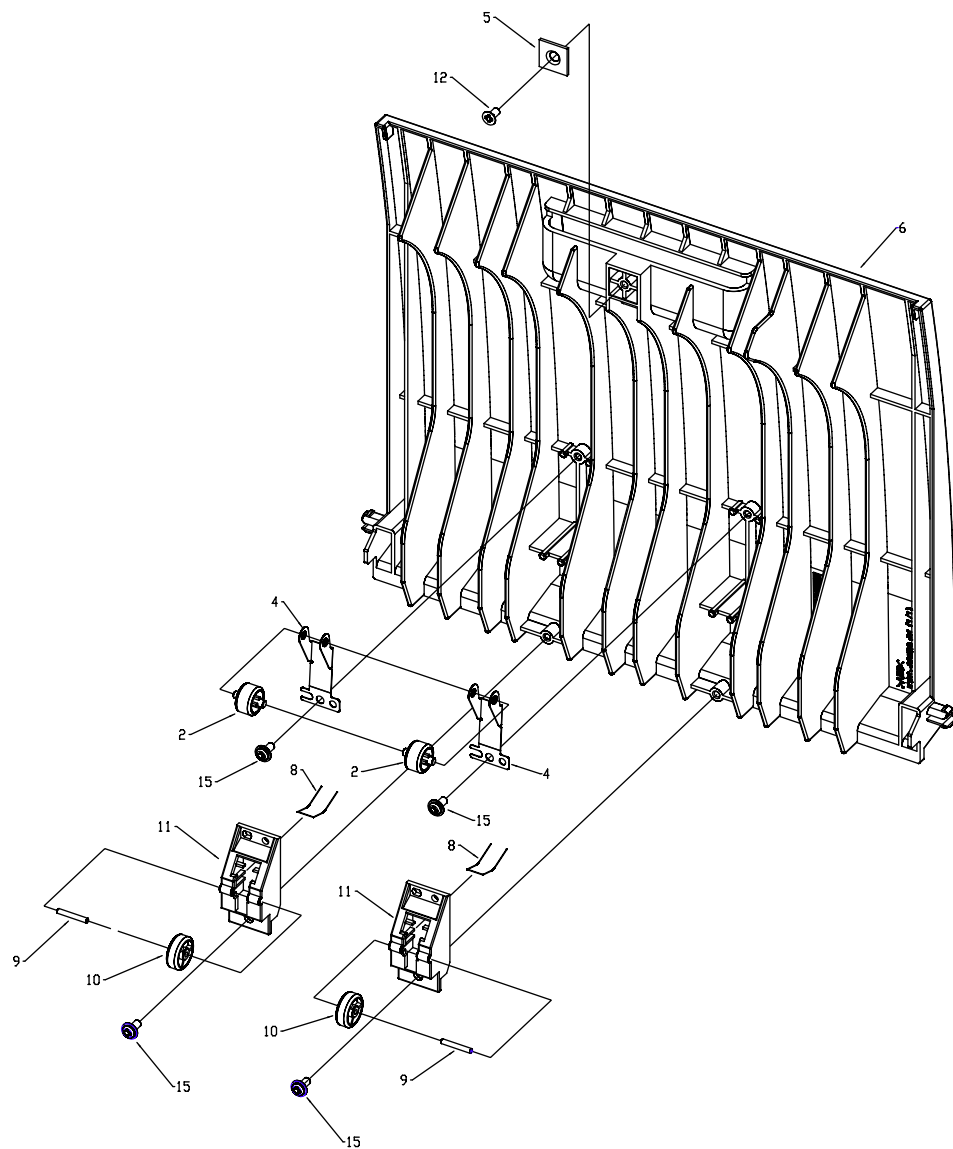
## FRAME TOTAL ASS'Y Parts List

SA : SERVICE AVAILABLE, SNA : SERVICE not AVAILABLE

Drawer#	SEC_Code	Description	QT'y	Service	Remark
56	HF10 2125	EXIT MOTOR ASS'Y	1	SNA	
57	JC81-03479A	ASS'Y HB MOTOR S2M19T	1	SA	
58	0420 0110	CUSHION STEPPING MOTOR 42	1	SNA	
59	SJ10 2324	TIMING PULLEY T18 MOTOR FEED	1	SNA	
60	JC81-08532A	CSP-BKT MOTOR EXIT	2	SA	
61	0353 0060N	BIND HEADED SCREW:M3*6:PC	1	SNA	
62	JC81-08579A	CSP-ROLLER FEED MIDDLE LOWER	1	SA	
63	JC81-08580A	CSP-ROLLER FEED MIDDLE UPPER	1	SA	
64	JC81-08581A	CSP-ROLLER FEED EXIT	1	SA	
65	B2M0 3084S	AS-BELT B30S2M168	1	SNA	
66	B2M0 3145S	AS-BELT B30S2M290	6	SNA	
67	JC61-00423A	BUSH-6D	1	SA	
68	JC81-03516A	B30S2MS44 EXIT ROLLER	4	SA	
69	JC81-03517A	PULLEY T30S2M D-CUT	1	SA	
70	JC81-08572A	CSP-GEAR M08 Z20	2	SA	
71	0353 0060N	BIND HEADED SCREW:M3*6:PC	6	SNA	
72	0451 3006N	HEXAGON HEADED SCREW:M3*6:T3	10	SNA	
73	1720 0040G	E-RING:Φ4	1	SNA	
74	HF10 4111	EXTENSION TRAY TOTAL ASS'Y	1	SNA	
75	JC81-03478A	ASS'Y PM MOTOR S2M20T	1	SA	
76	JC81-07256A	AS-BELT B30S2M200	2	SA	
77	JC81-07420A	AS-SENSOR KIT5011C	1	SA	
78	JC81-08535A	CSP-BASE EXTENSION TRAY	1	SA	
79	JC81-05881A	CSP-ACTUATOR STACKER LEVER	1	SA	
80	JC81-08575A	CSP-GEAR DOUBLE M08Z21/ S2M80T	2	SA	
81	0353 0060N	BIND HEADED SCREW:M3*6:PC	3	SNA	
82	1105 0328	COVER SADDLE:DS-1	3	SNA	

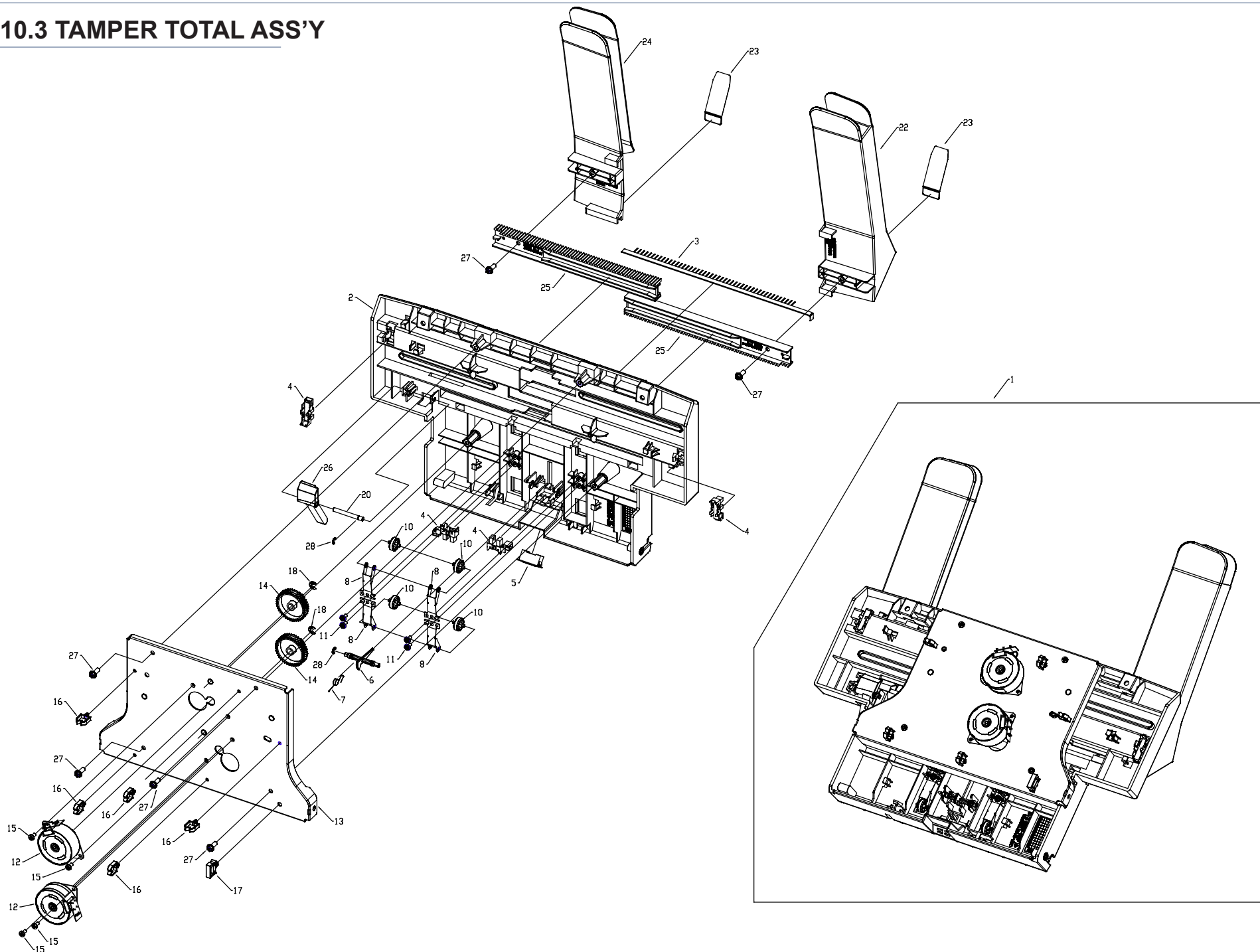
Drawer#	SEC_Code	Description	QT'y	Service	Remark
83	1105 0310	SIDE LOCKING SADDLE	1	SNA	
84	1720 0030G	E-RING:Φ3	2	SNA	
85	JC81-08536A	CSP-BKT CAM ROTATE EXIT TRAY	2	SA	
86	JC81-08553A	CSP-ROLLER ROTATE EXIT TRAY	2	SA	
87	JC81-08576A	CSP-GEAR EXIT TRAY	2	SA	
88	0965 3006N	PAN WASHER HEADED SCREW:M3*6:T2	1	SNA	
89	JC81-08550A	CSP-TRAY EXTENSION	2	SA	
90	JC81-08552A	CSP-BUSH SLIDE GUIDE EXIT TRAY	2	SA	
91	JC81-09050A	CSP-SUB TRAY EXTENSION	1	SA	
92	HF10 4614	C-SPRING EXIT TRAY	1	SNA	
93	0965 3008N	PAN WASHER HEADED SCREW:M3*8:T2	2	SNA	
94	HF10 4612	T-SPRING EXT CAM	2	SNA	
95	0451 3006N	HEXAGON HEADED SCREW:M3*6:T3	10	SNA	
96	P632 0140G	PARALLEL PIN:Φ2*4	3	SNA	
97	1720 0040G	E-RING:Φ4	8	SNA	
98	HF10 5155	STACKER DRIVING ASS'Y	1	SNA	
99	CF10 6502	C-SPRING LATCH	1	SNA	
100	HF10 5426	SHAFT MAIN STACKER	1	SNA	
101	JC61-00423A	BUSH-6D	2	SA	
102	JC81-03492A	PINION GEAR 18T	2	SA	
103	JC81-08558A	CSP-ROLLER LATCH STACKER	1	SA	
104	JC81-08559A	CSP-FLANGE LATCH SPRING STACKER	1	SA	
105	HF10 4616A	E-SPRING ACTUATOR STACK LEVEL	1	SNA	
106	HF10 4612A	T-SPRING SUPPORT CAM	1	SNA	
107	HF10 5931A	DAMPER SAFETY	1	SNA	

## 10.2 JAM GUIDE ASS'Y



Drawer#	SEC_Code	Description	QT'y	Service	Remark
1	HF10 2115	JAM GUIDE ASS'Y	1	SNA	
2	JC81-08609A	CSP-ROLLER IDLE D12	2	SA	
3	G501 0010	GREASE G501	0.02	SNA	
4	SJ10 2202	LEAF SPRING FEED	2	SNA	
5	JC81-07732A	CSP-MAGNET CATCH PLATE TB	1	SA	
6	JC81-08539A	CSP-GUIDE LEFT JAM CLEAR	1	SA	
7	JR10 1183	BKT IDLE FEED SUB ASS'Y	2	SNA	
8	JC81-07272A	AS-T SPRING GUIDE M/B	2	SA	
9	P632 0140G	PARALLEL PIN:Φ2*14	2	SNA	
10	SJMB 2306	ROLLER IDLE FEED	2	SNA	
11	JR10 2306	BKT IDLE FEED	2	SNA	
12	0323 0062N	COUNTERSINK SCREW:M3*6:T2	1	SNA	
13	0965 3006N	PAN WASHER HEADED SCREW:M3*6:T2	4	SNA	

### 10.3 TAMPER TOTAL ASS'Y





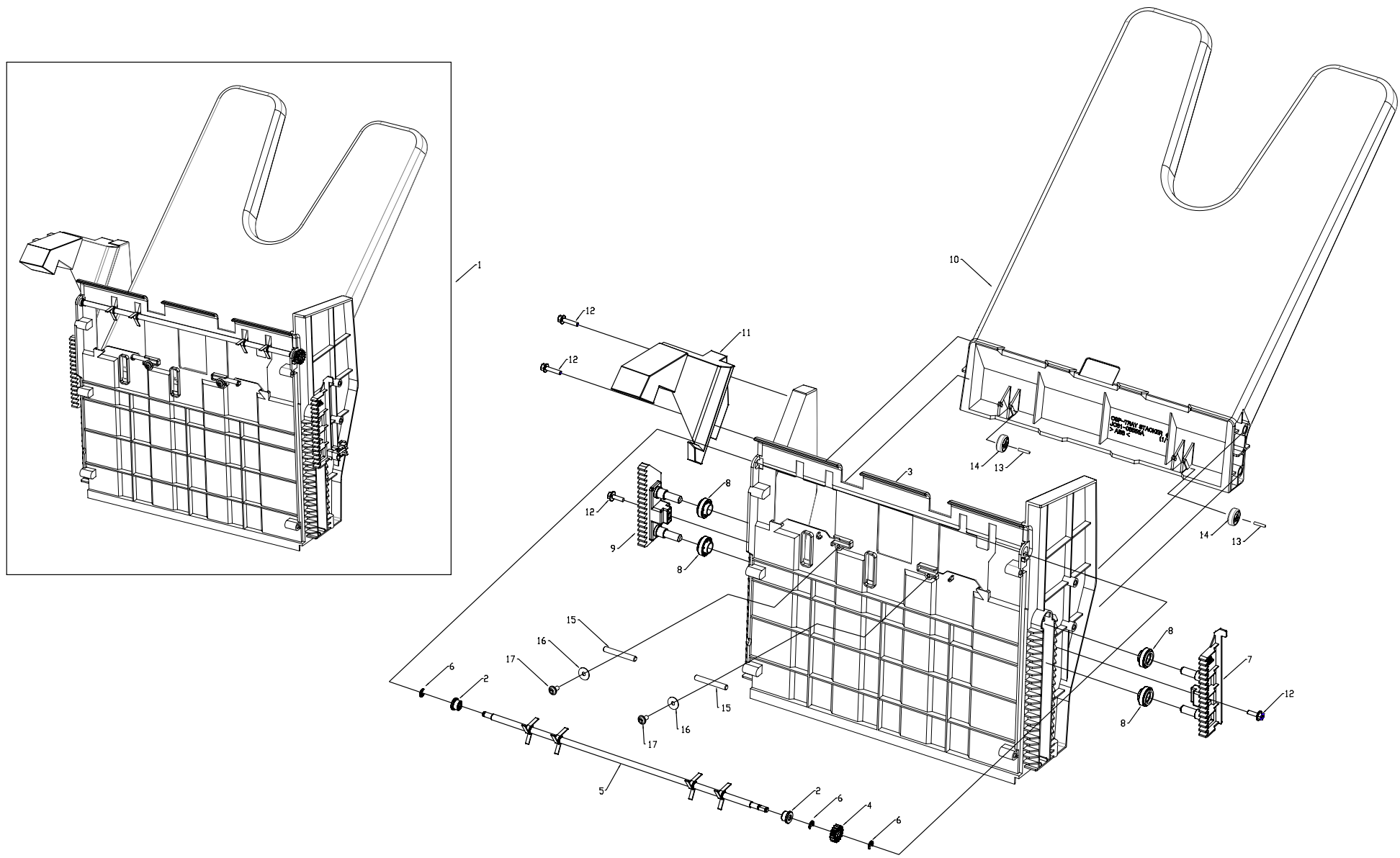
## TAMPER TOTAL ASS'Y Parts List

SA : SERVICE AVAILABLE, SNA : SERVICE not AVAILABLE

Drawer#	SEC_Code	Description	QT'y	Service	Remark
1	HF10 3111	TAMPER TOTAL ASS'Y	1	SNA	
2	JC81-08545A	CSP-BASE TAMPER	1	SA	
3	JC81-07266A	AS-ANTI STATIC BRUSH	1	SA	
4	JC81-07420A	AS-SENSOR KIT5011C	4	SA	
5	JC81-7247A	AS-MAGNET BY3-32-1	1	SA	
6	SJ10 2384	ACTUATOR FEED	1	SNA	
7	SJ10 2682	GREASE G501	1	SNA	
8	SJ10 2202	ROLLER IDLE FEED	4	SNA	
9	G501 0010	PAN WASHER HEADED SCREW:M3*6:T2	0.08	SNA	
10	SJ10 2302	ROLLER IDLE FEED	4	SNA	
11	0965 3006N	PAN WASHER HEADED SCREW:M3*6:T2	4	SNA	
12	HF10 3139	ASS'Y PM MOTOR M08Z18	2	SNA	
13	JC81-08534A	CSP-BKT MOTOR TAMPER DRIVE	1	SA	
14	JC81-08574A	CSP-GEAR DOUBLE M1Z18/ M08Z40	2	SA	
15	0353 0060N	BIND HEADED SCREW:M3*6:PC	4	SNA	

Drawer#	SEC_Code	Description	QT'y	Service	Remark
16	1102 0232	MICRO WIRE SADDLE	5	SNA	
17	1105 0310	SIDE LOCKING SADDLE	1	SNA	
18	1720 0040G	E-RING:Φ4	2	SNA	
19	EM-50L	GREASE EM-50L	0.1	SNA	
20	HF10 3415	SHAFT LINK SAFETY	1	SNA	
21	HF10 8306	M/H ASS'Y TAMPER/EXIT S/JAM COVER S	1	SNA	
22	JC81-08546A	CSP-TRAY TAMPER FRONT	1	SA	
23	HF10 3811	MYLAR TRAY TAMPER	2	SNA	
24	JC81-08547A	CSP-TRAY TAMPER REAR	1	SA	
25	JC81-08548A	CSP-RACK GEAR	2	SA	
26	JC81-08563A	CSP-LINK SAFETY	1	SA	
27	0450 4010N	HEXAGON HEADED SCREW:M4*10:T2	6	SNA	
28	1720 0030G	E-RING:Φ3	2	SNA	
29	EM-50L	GREASE EM-50L	0.5	SNA	

### 10.4 STACKER SHIELD TRAY ASS'Y



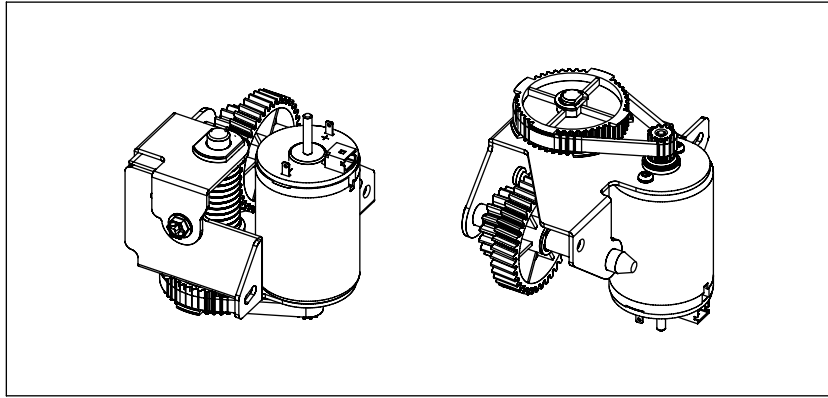
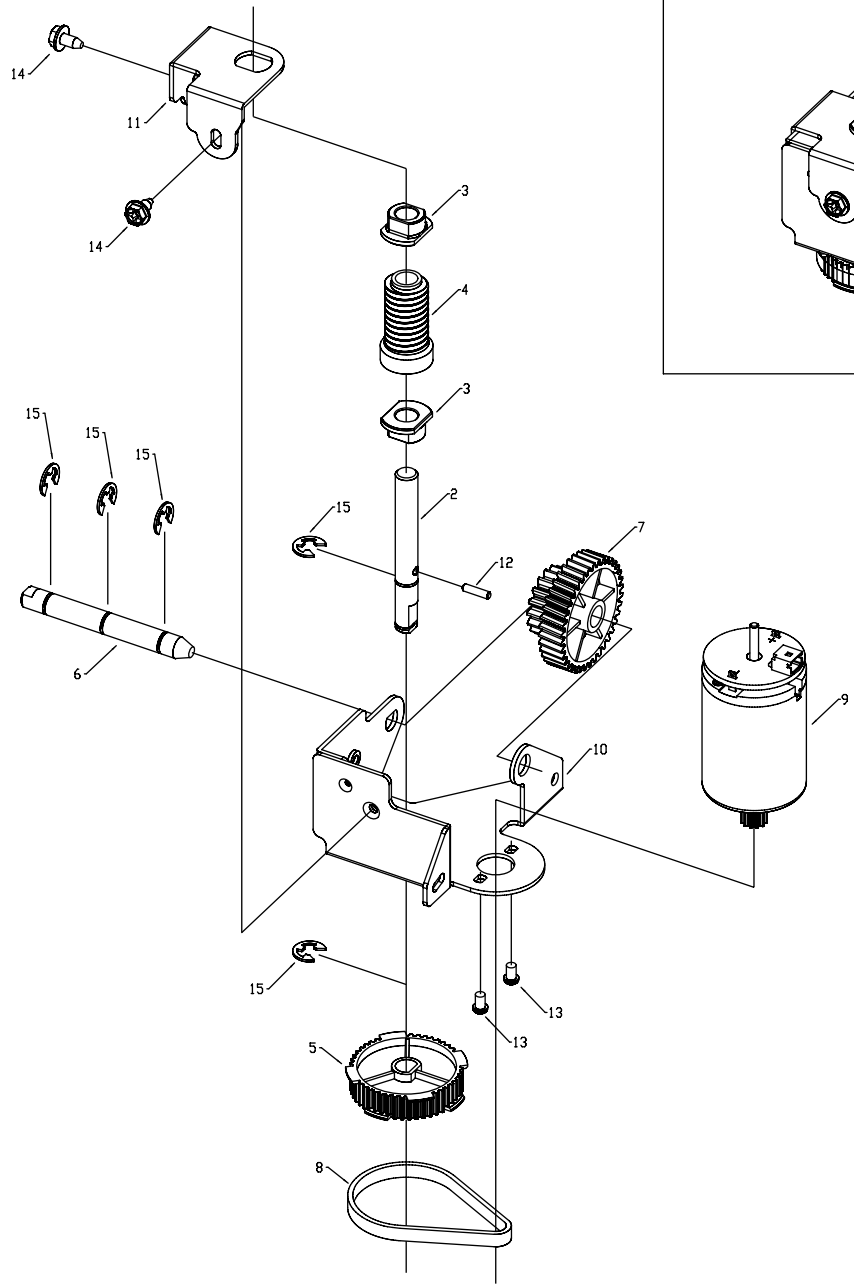
## STACKER SHIELD TRAY ASS'Y Parts List

SA : SERVICE AVAILABLE, SNA : SERVICE not AVAILABLE

Drawer#	SEC_Code	Description	QT'y	Service	Remark
1	HF10 5115	STACKER SHIELD TRAY ASS'Y	1	SNA	
2	JC61-00424A	BUSH-4D	2	SA	
3	JC81-08554A	CSP-SHIELD STACKER	1	SA	
4	JC81-08570A	CSP-GEAR M08 Z16	1	SA	
5	JC81-08582A	CSP-ROLLER PADDLE COMPILE	1	SA	
6	1720 0030G	E-RING:Φ3	3	SNA	
7	JC81-08556A	CSP-GEAR RACK FRONT STACKER	1	SA	
8	SJ10 6302	ROLLER STACKER	4	SNA	
9	JC81-08557A	CSP-GEAR RACK REAR STACKER	1	SA	

Drawer#	SEC_Code	Description	QT'y	Service	Remark
10	JC81-08555A	CSP-TRAY STACKER	1	SA	
11	JC81-08560A	CSP-GUIDE LOWER STAPLER	1	SA	
12	0450 3010N	HEXAGON HEADED SCREW:M3*10:T2	4	SNA	
13	P632 0100G	PARALLEL PIN:Φ2*10	2	SNA	
14	SJMB 2306A	ROLLER IDLE FEED	2	SNA	
15	HF10 5447A	SHAFT EXT SUPPORT	2	SNA	
16	P632 0100G	WASHER:Φ3	2	SNA	
17	0965 3006N	PAN WASHER HEADED SCREW:M3*6:T2	2	SNA	

### 10.5 STACKER DRIVING ASS'Y



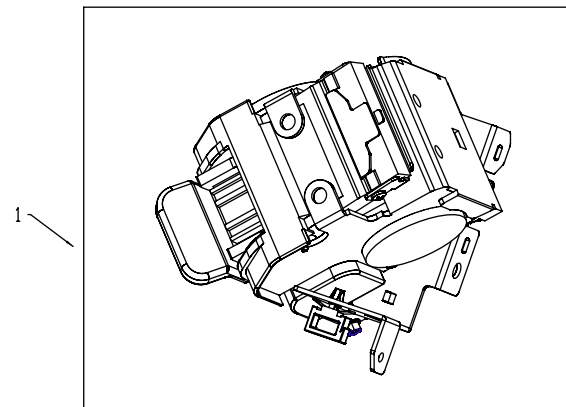
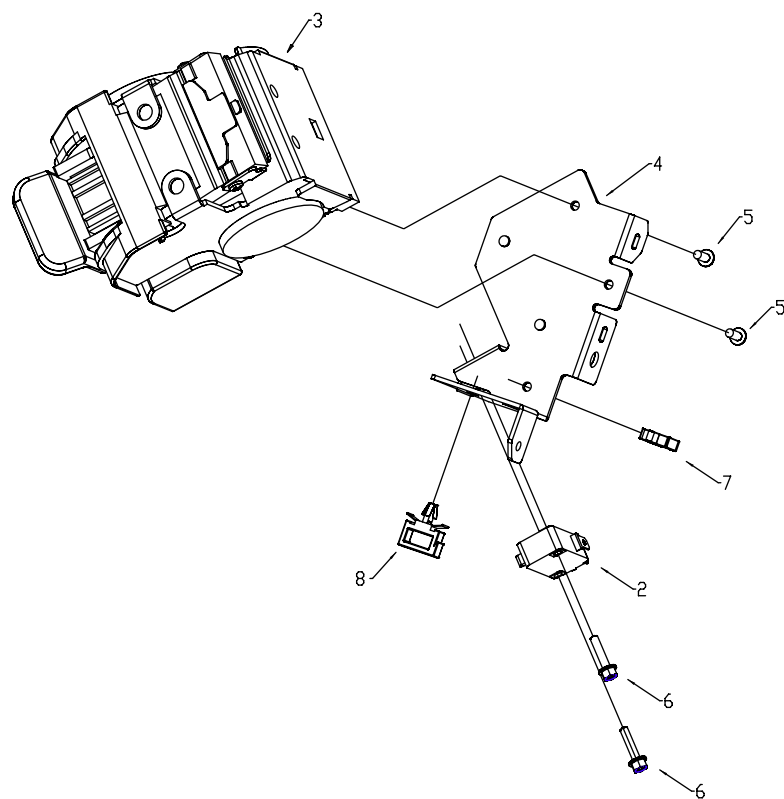
## STACKER DRIVING ASS'Y Parts List

SA : SERVICE AVAILABLE, SNA : SERVICE not AVAILABLE

Drawer#	SEC_Code	Description	QT'y	Service	Remark
1	HF10 5155	STACKER DRIVING ASS'Y	1	SNA	
2	HF10 5441	SHAFT WORM GEAR STACKER	1	SNA	
3	JC61-00423A	BUSH-6D	2	SA	
4	JC81-03489A	WORM STACKER	1	SA	
5	JC81-03491A	TIMING PULLEY S2M48T	1	SA	
6	HF10 5445	SHAFT WORM WHEEL STACKER	1	SNA	
7	JC81-03524A	WORM WHEEL STACKER	1	SA	
8	JC81-03525A	B40S2M120 STACKER	1	SA	

Drawer#	SEC_Code	Description	QT'y	Service	Remark
9	JC81-08264A	AS-DC MOTOR 2738 S2M12T PCB	1	SA	
10	JC81-08537A	CSP-BKT MOTOR STACKER	1	SA	
11	JC81-08608A	CSP-BKT WORM SUPPORT	1	SA	
12	P632 0100G	PARALLEL PIN:Φ2*10	1	SNA	
13	0312 6040N	PAN HEADED SCREW:M2.6*4:PC	2	SNA	
14	0451 3006N	HEXAGON HEADED SCREW:M3*6:T3	2	SNA	
15	1720 0040G	E-RING:Φ4	5	SNA	

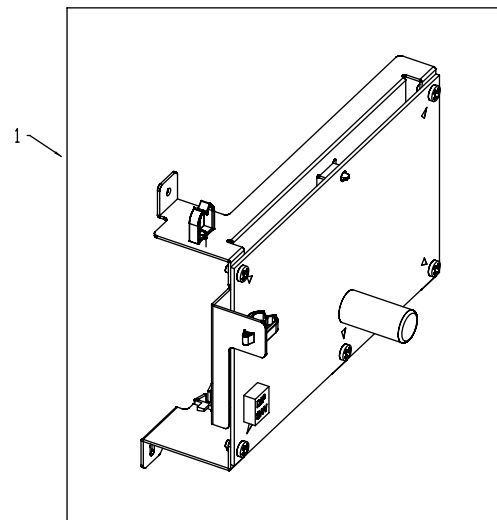
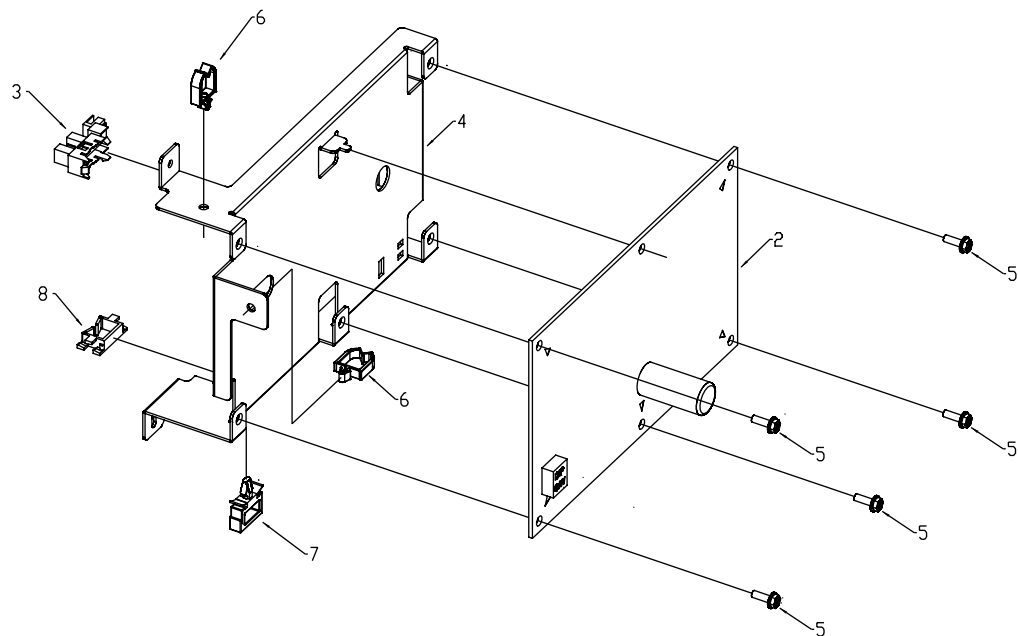
## 10.6 STAPLER ASS'Y



SA : SERVICE AVAILABLE, SNA : SERVICE not AVAILABLE

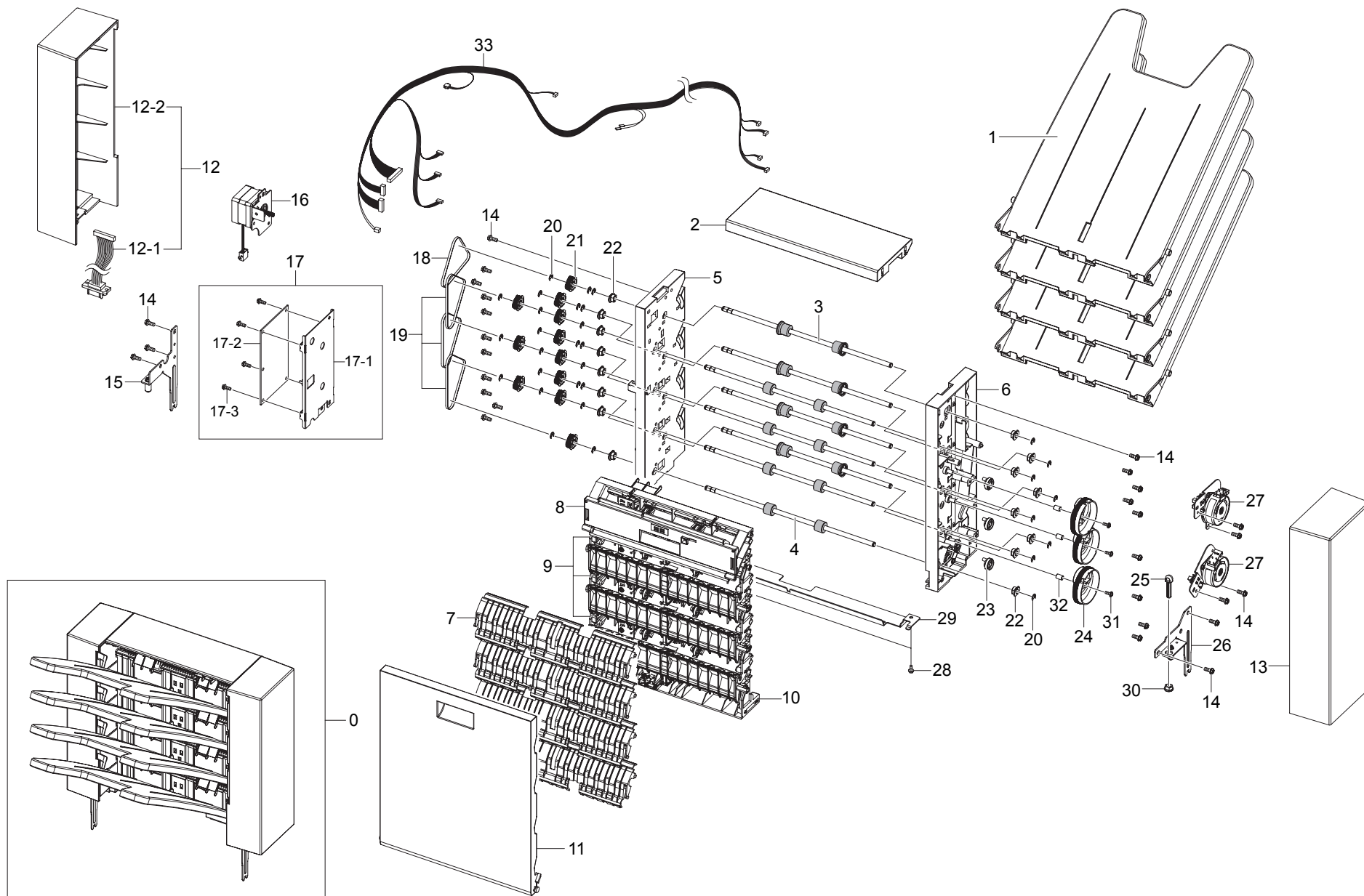
Drawer#	SEC_Code	Description	QT'y	Service	Remark
1	HF10 5175	STAPLER ASS'Y	1	SNA	
2	MSW 3113	MICRO SWITCH VP333A-1D	1	SNA	
3	JC81-03475A	STAPLER EH-C590SS	1	SA	
4	JC81-08538A	CSP-BKT STAPLER SET	1	SA	
5	0360 3006N	HEXAGON HEADED SCREW:M3*6:PC	2	SNA	
6	0360 3014N	HEXAGON HEADED SCREW:M3*14:PC	2	SNA	
7	1105 0232	MICRO WIRE SADDLE	1	SNA	
8	1105 0310	SIDE LOCKING SADDLE	1	SNA	

## 10.7 PCB ASS'Y



Drawer#	SEC_Code	Description	QT'y	Service	Remark
1	HF10 8101	PCB ASS'Y	1	SNA	
2	HF10 8200	PCB ASS'Y MAIN HS-FIN	1	SNA	
3	JC81-07420A	AS-SENSOR KIT5011C	1	SA	
4	JC81-08530A	CSP-BKT MAIN BOARD	1	SA	
5	0360 3006N	HEXAGON HEADED SCREW:M3*6:PC	5	SNA	
6	1105 0232	MICRO WIRE SADDLE	2	SNA	
7	1105 0310	SIDE LOCKING SADDLE	1	SNA	
8	1105 0328	COVER SADDLE DS-1	1	SNA	

# 11. Mail Box





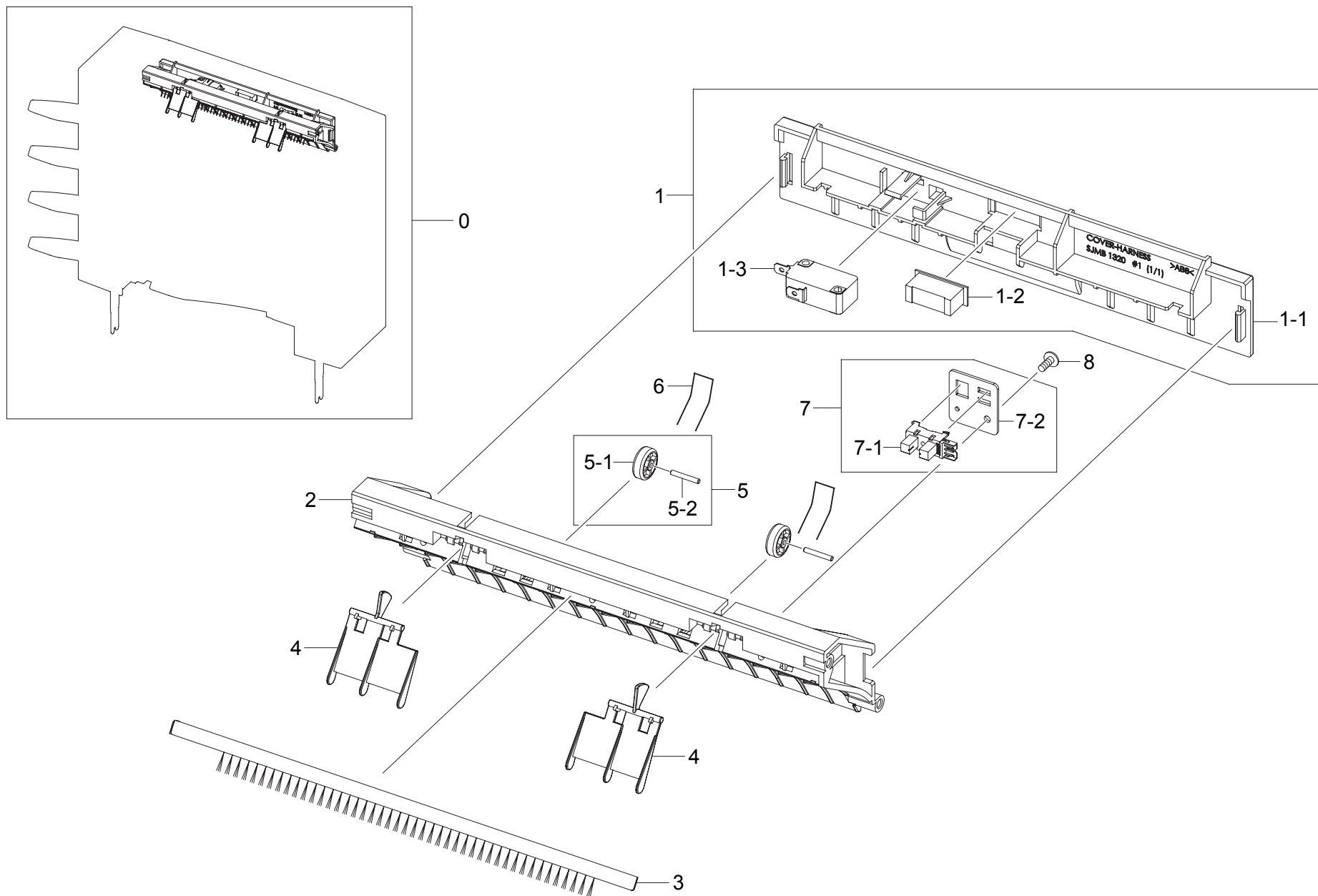
## Mail Box Parts List

SA : SERVICE AVAILABLE, SNA : SERVICE not AVAILABLE

Drawer#	SEC_Code	Description	QT'y	Service	Remark
0	SCX-MBT20S	Mail box	1	SA	
1	JC81-07262A	AS-TRAY STACKER	4	SA	KRDC(SJMB 2308A)
2	JC81-07285A	AS-COVER TOP FRAME	1	SA	KRDC(SJMB 1306A)
3	JC81-07286A	AS-ROLLER EXIT FEED	4	SA	KRDC(SJMB 2602A)
4	JC81-07287A	AS-ROLLER MAIN FEED	4	SA	KRDC(SJMB 2604A)
5	JC81-07275A	FRAME:FRONT:SUB ASS'Y	1	SA	KRDC(SJMB 1120)
6	JC81-07276A	FRAME:REAR:SUB ASS'Y	1	SA	KRDC(SJMB 1130)
7	JC81-07261A	AS-GUIDE FEED	4	SA	KRDC(SJMB 2304A)
8	JC81-07267A	AS-SHIELD TOP STKR ASS'Y	1	SA	KRDC(SJMB 1118)
9	JC81-07265A	AS-ACTUATOR SHIELD ASS'Y	3	SA	KRDC(SJMB 1113)
10	JC81-07264A	AS-BASE SUB ASS'Y	1	SA	KRDC(SJMB 1110)
11	JC81-07282A	AS-COVER JAM FRAME ASS'Y	1	SA	KRDC(SJMB 1150)
12	JC81-07283A	AS-COVER FRONT FRAME ASY	1	SA	KRDC(SJMB 1154)
12-1	-	ASS'Y, MH, INTERFACE	1	SNA	KRDC(SJMB 8330)
12-2	JC81-07284A	AS-COVER DRAW CN FRAME	1	SA	KRDC(SJMB 1304A)
13	JC81-07260A	AS-COVER REAR FRAME	1	SA	KRDC(SJMB 1318A)
14	-	HEXAGON HEADED SCREW:M4?0:T2	47	SNA	KRDC(0450 4010N)
15	JC81-07279A	JOINT BKT:FRONT:FRAME:SUB ASS'Y	1	SA	KRDC(SJMB 1142)
16	JC81-07281A	HB MOTOR:FEED:SUB ASS'Y	1	SA	KRDC(SJMB 1146)
17	-	MAIN BOARD:FRAME:SUB ASS'Y	1	SNA	KRDC(SJMB 1134)
17-1	-	BKT:MAIN BOARD:FRAME	1	SNA	KRDC(SJMB 1206)

Drawer#	SEC_Code	Description	QT'y	Service	Remark
17-2	JC81-07277A	AS-PCB ASS'Y MAIN	1	SA	KRDC(SJMB 8200B)
17-3	-	HEXAGON HEADED SCREW:M3x6:T3	4	SNA	KRDC(0451 3006N)
18	JC81-07256A	AS-BELT B30S2M200	1	SA	KRDC(B30S2M200)
19	JC81-07257A	AS-BELT B30S2M210	3	SA	KRDC(B30S2M210)
20	-	E-RING:Φ4	29	SNA	KRDC(1720 0040G)
21	JC81-03517A	TIMING PULLEY:T30S2M:D-CUT	11	SA	-
22	JC61-00423A	BUSH-6_D	16	SA	-
23	JC81-07289A	ROLLER:STACKER	4	SA	KRDC(SJ10 6302)
24	JC81-07263A	AS-SPUR GEAR M05Z100	3	SA	KRDC(SJMB 2318A)
25	JC81-07259A	AS-POSITIONER SEPARATE	1	SA	KRDC(SJMB 1314A)
26	JC81-07278A	JOINT BKT:REAR:FRAME:SUB ASS'Y	1	SA	KRDC(SJMB 1140)
27	JC81-07280A	SEPARATE MOTOR:SUB ASS'Y	2	SA	KRDC(SJMB 1144)
28	-	HEXAGON HEADED SCREW:M3x8:T3	2	SNA	KRDC(0451 3008N)
29	JC81-07258A	AS-BKT EARTH FRAME	1	SA	KRDC(SJMB 1212A)
30	-	BEARING:Φ6	1	SNA	KRDC(0092 0601)
31	-	PAN WASHER HEADED SCREW:M3x8:T2	1	SNA	KRDC(0965 3008N)
32	JC81-07288A	HOLLOW SHAFT:D_6	3	SA	KRDC(SJ10 3402)
33	-	ASS'Y, MH,FRAME	1	SNA	KRDC(SJMB 8310)

### 11.1 AS-SHIELD TOP STKR ASS'Y



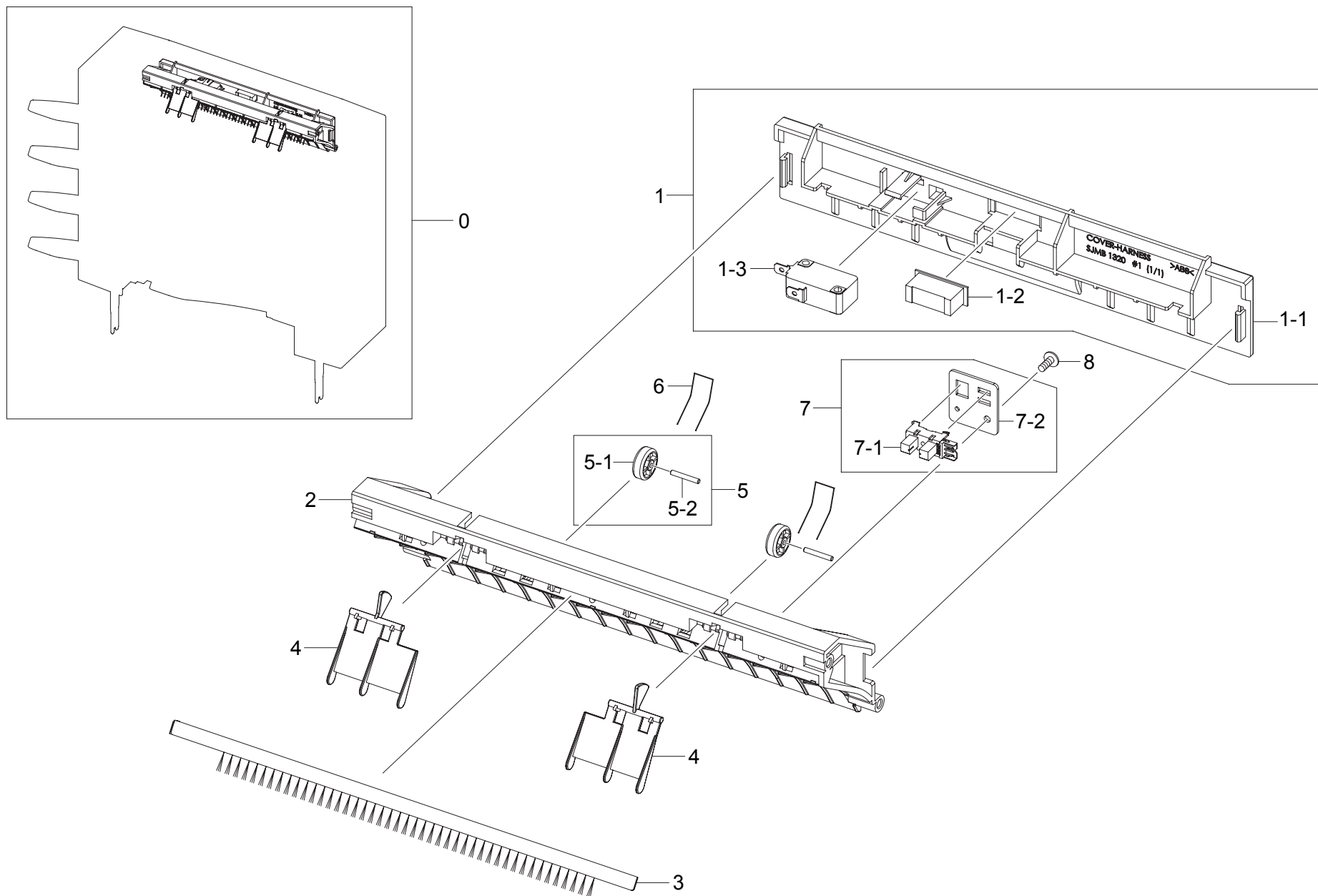
## AS-SHIELD TOP STKR ASS'Y Parts List

SA : SERVICE AVAILABLE, SNA : SERVICE not AVAILABLE

Drawer#	SEC_Code	Description	QT'y	Service	Remark
0	JC81-07267A	AS-SHIELD TOP STKR ASS'Y	1	SA	KRDC(SJMB 1118)
1	JC81-07273A	AS-COVER HARNESS ASS'Y	1	SA	KRDC(SJMB 1119)
1-1	-	COVER:HARNESS	1	SNA	KRDC(SJMB 1320)
1-2	JC81-07274A	MAGNET:BY3-32-1	1	SA	KRDC(CF10 T702)
1-3	JC81-03469A	MICRO SWITCH:VP333A-0D	1	SA	-
2	JC81-07269A	AS-SHIELD TOP STACKER	1	SA	KRDC(SJMB 2320A)
3	JC81-07266A	AS-ANTI_STATIC BRUSH	1	SA	KRDC(SJMB 2802A)
4	JC81-07253A	AS-ACTUATOR FULL STACKER	2	SA	KRDC(SJMB 2314A)
5	JC81-07268A	AS-ROLLER IDLE FEED ASS'Y	2	SA	KRDC(SJMB 1116)

Drawer#	SEC_Code	Description	QT'y	Service	Remark
5-1	-	ROLLER:IDLE:FEED	2	SNA	KRDC(SJMB 2306)
5-2	-	PARALLEL PIN:Φ2×14	2	SNA	KRDC(P632 0140G)
6	JC81-07272A	AS-T_SPRING GUIDE M/B	2	SA	KRDC(SJMB 2508A)
7	-	BKT:SENSOR:STACKER:SUB ASS'Y	1	SNA	KRDC(SJMB 1114)
7-1	0604-001095	PI SENSOR:GP1S73P2	1	SA	KRDC(0604-001095)
7-2	JC81-07270A	AS-BKT SENSOR STACKER	1	SA	KRDC(SJMB 2202A)
8	-	PAN WASHER HEADED SCREW:M3×8:T2	1	SNA	KRDC(0965 3008N)

## 11.2 AS-ACTUATOR SHIELD ASS'Y



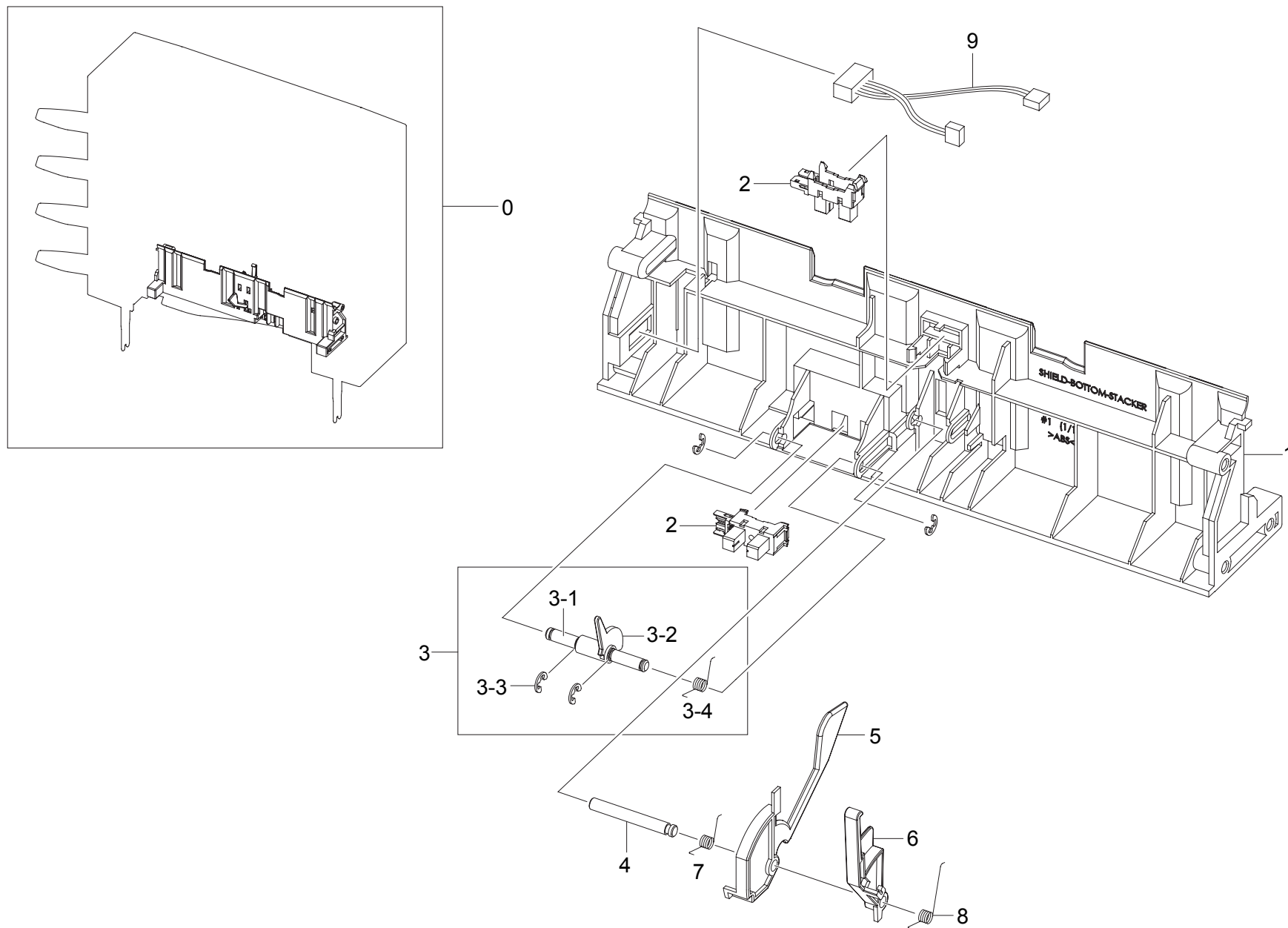
## AS-ACTUATOR SHIELD ASS'Y Parts List

Drawer#	SEC_Code	Description	QT'y	Service	Remark
0	JC81-07265A	AS-ACTUATOR SHIELD ASS'Y	3	SA	KRDC(SJMB 1113)
1	-	SHIELD:STACKER	1	SNA	KRDC(SJMB 2316)
2	0604-001095	PI SENSOR:GP1S73P2	2	SA	KRDC(0604-001095)
3	-	SHAFT:ACTUATOR:STACKER	1	SNA	KRDC(SJMB 2402)
4	-	ACTUATOR:EMPTY:STACKER	1	SNA	KRDC(SJMB 2310)
5	-	ACTUATOR:EXIT:FEED	1	SNA	KRDC(SJMB 2312)
6	-	TORSION SPRING:PAPER PATH	1	SNA	KRDC(SJMB 2504)
7	-	TORSION SPRING:TRAY EMPTY	1	SNA	KRDC(SJMB 2502)
8	-	BKT:SENSOR:STACKER:SUB ASS'Y	1	SNA	KRDC(SJMB 1114)
8-1	JC81-07270A	AS-BKT SENSOR STACKER	1	SA	KRDC(SJMB 2202A)

SA : SERVICE AVAILABLE, SNA : SERVICE not AVAILABLE

Drawer#	SEC_Code	Description	QT'y	Service	Remark
9	-	PAN WASHER HEADED SCREW:M3×8:T2	1	SNA	KRDC(0965 3008N)
10	JC81-07268A	AS-ROLLER IDLE FEED ASS'Y	2	SA	KRDC(SJMB 1116)
10-1	-	PARALLEL PIN:Φ2×14	2	SNA	KRDC(P632 0140G)
10-2	-	ROLLER:IDLE:FEED	2	SNA	KRDC(SJMB 2306)
11	JC81-07272A	AS-T_SPRING GUIDE M/B	2	SA	KRDC(SJMB 2508A)
12	-	SEPARATE:PAWL:FEED	1	SNA	KRDC(SJMB 2302)
13	JC81-07266A	AS-ANTI_STATIC BRUSH	1	SA	KRDC(SJMB 2802A)
14	JC81-07253A	AS-ACTUATOR FULL STACKER	2	SA	KRDC(SJMB 2314A)
15	-	ASS'Y, MH, TRAY SNR RELAY	1	SNA	KRDC(SJMB 8320)

### 11.3 AS-BASE SUB ASS'Y



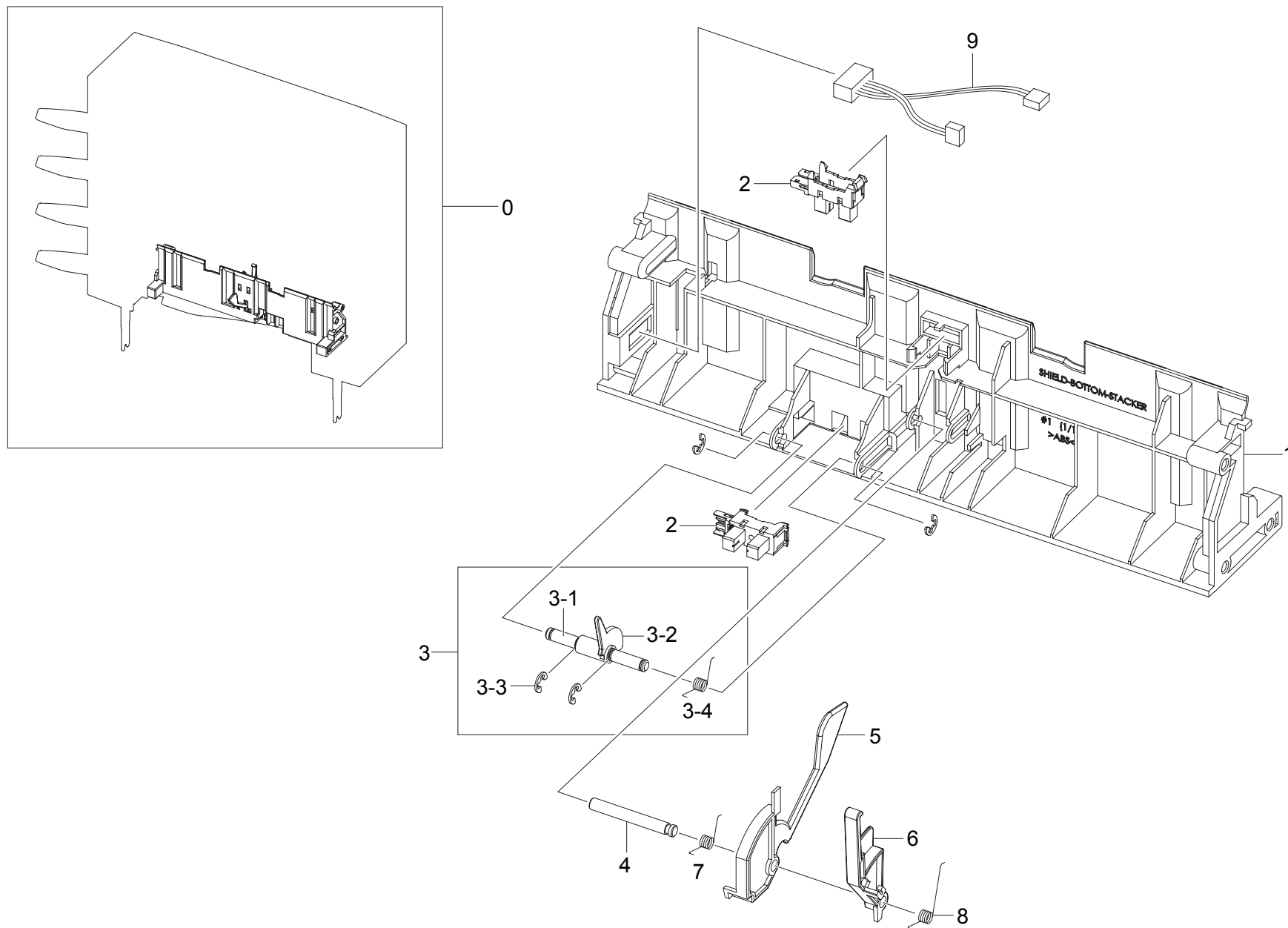
## AS-BASE SUB ASS'Y Parts List

SA : SERVICE AVAILABLE, SNA : SERVICE not AVAILABLE

Drawer#	SEC_Code	Description	QT'y	Service	Remark
0	JC81-07264A	AS-BASE SUB ASS'Y	1	SA	KRDC(SJMB 1110)
1	-	SHIELD:BOTTOM:STACKER	1	SNA	KRDC(SJMB 2324)
2	0604-001095	PI SENSOR:GP1S73P2	2	SA	KRDC(0604-001095)
3	-	ACTUATOR:ENTRANCE:SUB ASS'Y	1	SNA	KRDC(SJMB 1112)
3-1	-	SHAFT:ACTUATOR:FEED	1	SNA	KRDC(SJMB 2404)
3-2	-	ACTUATOR:ENTRANCE:FEED	1	SNA	KRDC(SJMB 2326)
3-3	-	E-RING	4	SNA	KRDC(1720 0030G)

Drawer#	SEC_Code	Description	QT'y	Service	Remark
3-4	-	T-SPRING:ACTUATOR:STACK	1	SNA	KRDC(SJ10 6682)
4	-	SHAFT:ACTUATOR:STACKER	1	SNA	KRDC(SJMB 2402)
5	-	ACTUATOR:EMPTY:STACKER	1	SNA	KRDC(SJMB 2310)
6	-	ACTUATOR:EXIT:FEED	1	SNA	KRDC(SJMB 2312)
7	-	TORSION SPRING:TRAY EMPTY	1	SNA	KRDC(SJMB 2502)
8	-	TORSION SPRING:PAPER PATH	1	SNA	KRDC(SJMB 2504)
9	-	ASS'Y, MH, TRAY SNR RELAY	1	SNA	KRDC(SJMB 8320)

### 11.4 AS-COVER JAM FRAME ASS'Y





## AS-COVER JAM FRAME ASS'Y Parts List

SA : SERVICE AVAILABLE, SNA : SERVICE not AVAILABLE

Drawer#	SEC_Code	Description	QT'y	Service	Remark
0	JC81-07282A	AS-COVER JAM FRAME ASS'Y	1	SA	KRDC(SJMB 1150)
1	-	COVER:JAM:FRAME	1	SNA	KRDC(SJMB 1308)
2	-	MAGNET CATCH PLATE:TB	1	SNA	KRDC(CF10 T209)
3	-	COUNTERSINK SCREW:	1	SNA	KRDC(0323 0102N)
4	-	IDLE ROLLER:ASS'Y	8	SNA	KRDC(SJMB 1152)

Drawer#	SEC_Code	Description	QT'y	Service	Remark
4-1	-	LEAF SPRING:FEED	8	SNA	KRDC(SJ10 2202)
4-2	-	ROLLER:IDLE:FEED	8	SNA	KRDC(SJ10 2302)
5	-	PAN WASHER HEADED SCREW:	8	SNA	KRDC(0965 3008N)