

Chapter 7 Exploded View & Parts List

Country Code	Country	Country Code	Country
AA	Austria	AR	Belgium
AB	U.K.	AS	Sweden
AD	Denmark	AT	Turkey
AE	Taiwan	AU	Puerto Rico
AF	Finland	AV	France
AG	German	AW	New Zealand
AH	The Netherlands	YA	Argentina
EE	Italy	YB	Barclay
AJ	Spain	YC	Universal 200V Version
AK	Hong Kong	YJ	Czecho
AL	Australia	YM	Malaysia
AM	Switzerland	YT	Thailand
AN	Norway	YV	China
AP	Portugal	YW	South Africa
AQ	Ireland	YX	Singapore
		YY	Panama

(This parts list is provisional issue for each countries. Please contact local Panasonic company to get correct part number.)

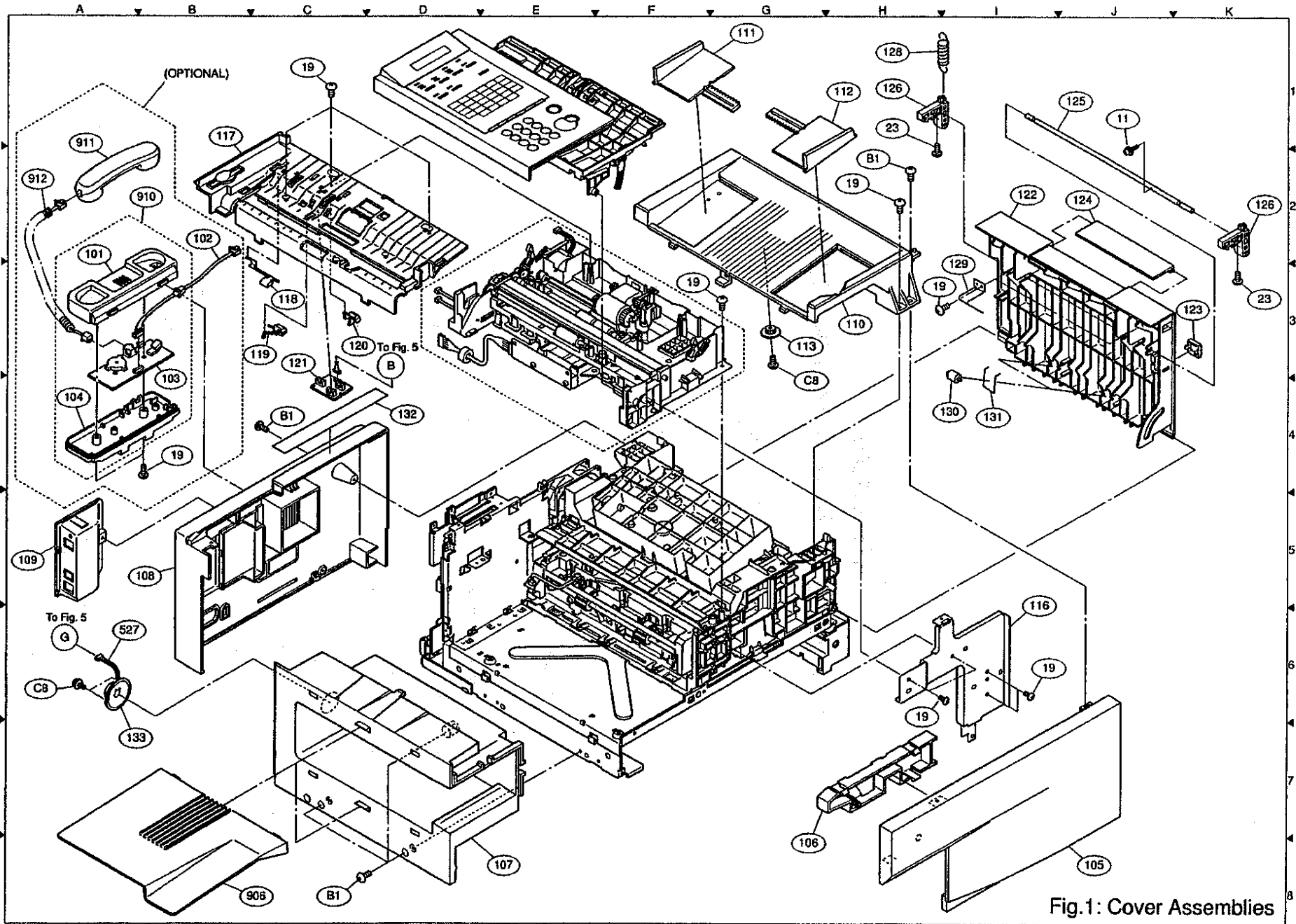


Fig.1: Cover Assemblies

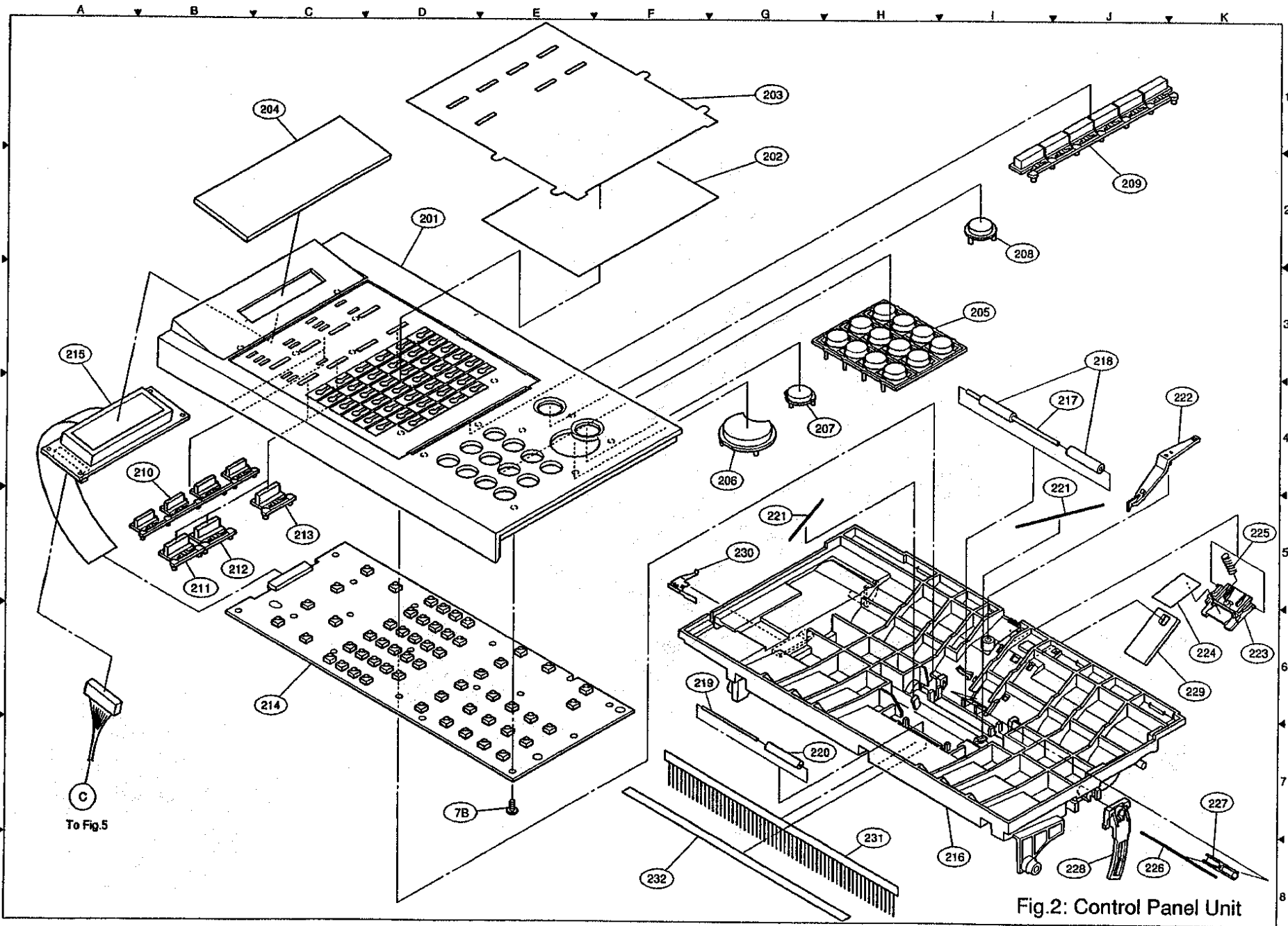


Fig.2: Control Panel Unit

Exploded View & Parts List

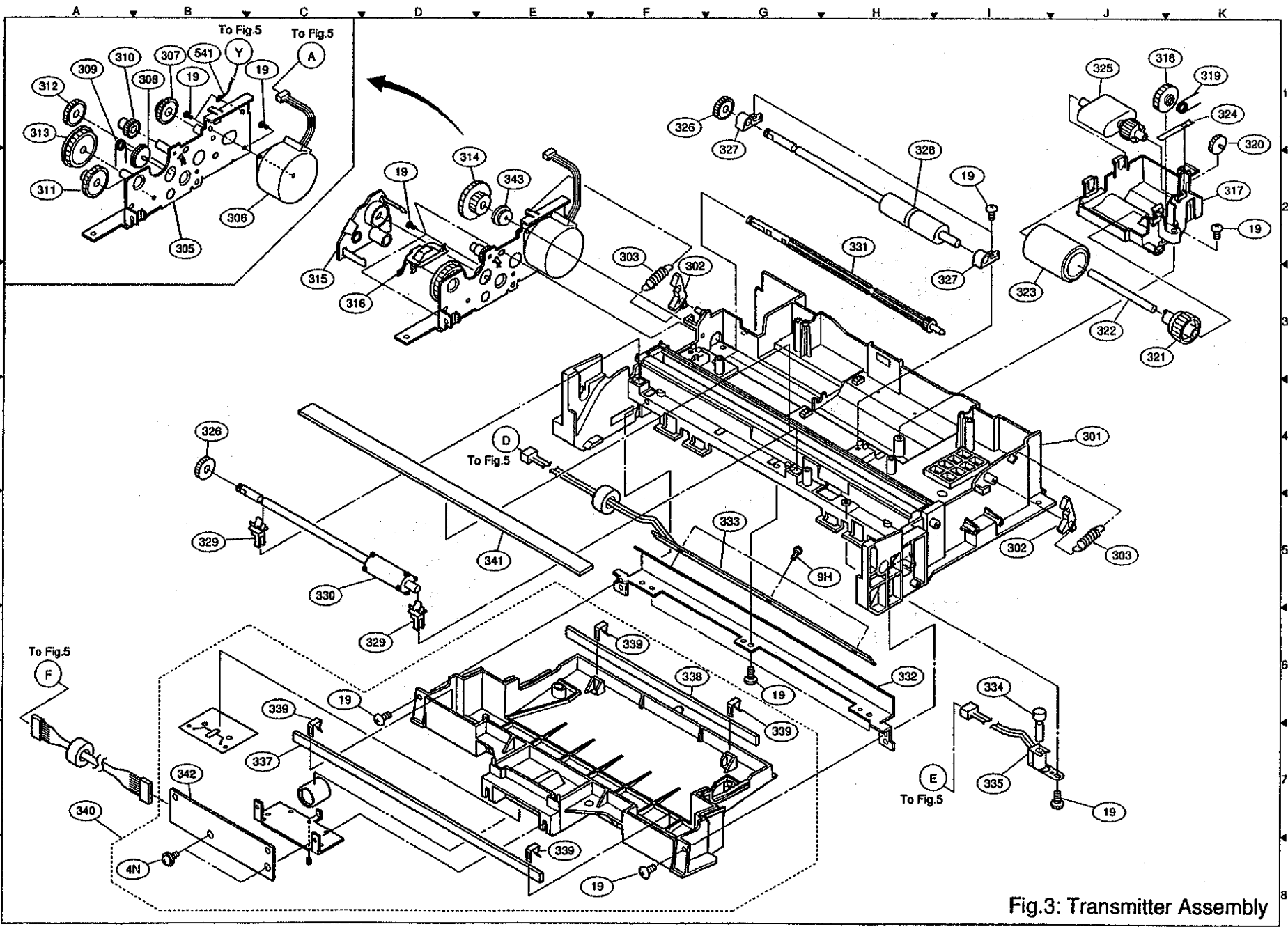


Fig.3: Transmitter Assembly

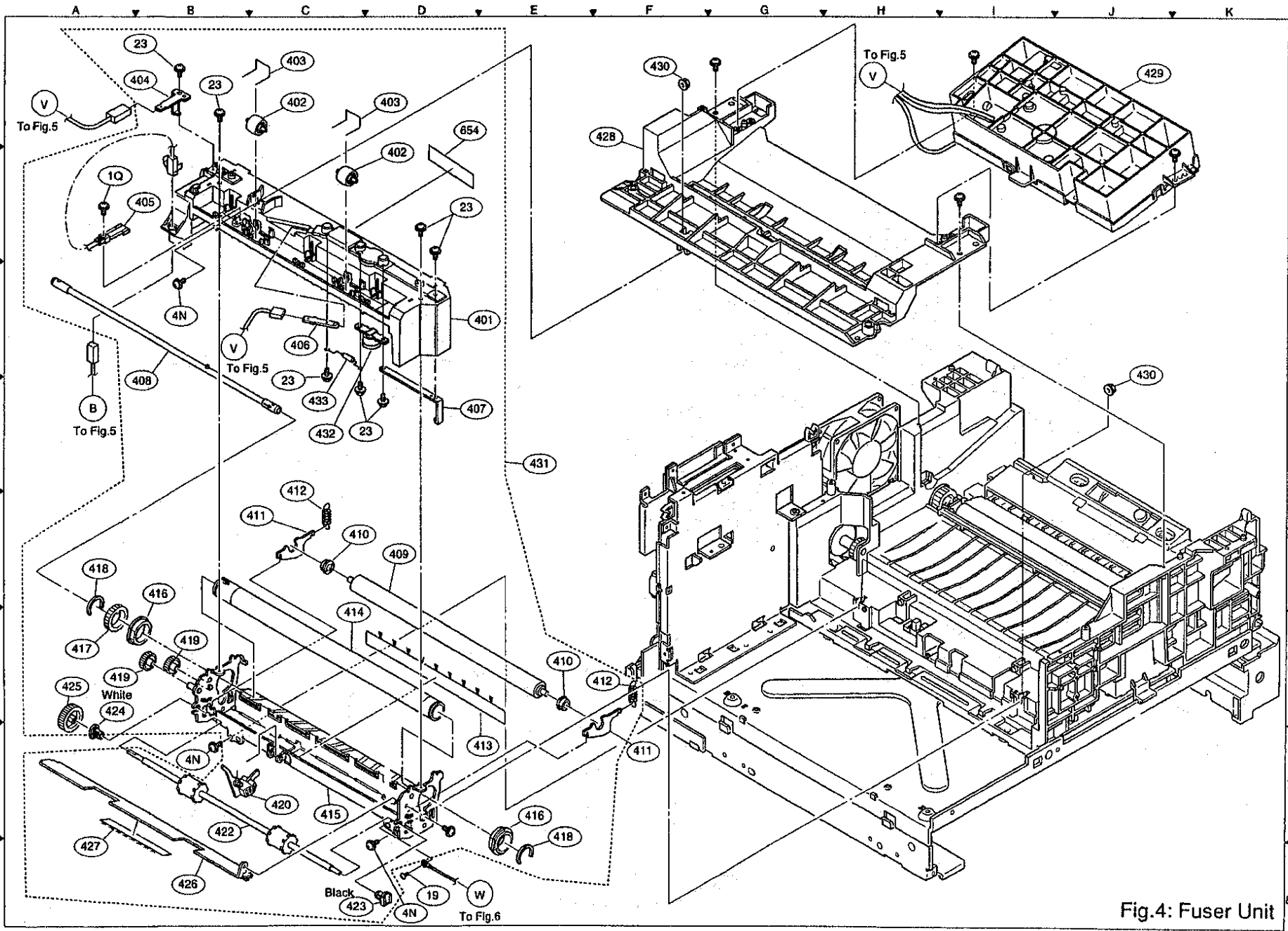


Fig.4: Fuser Unit

Exploded View & Parts List

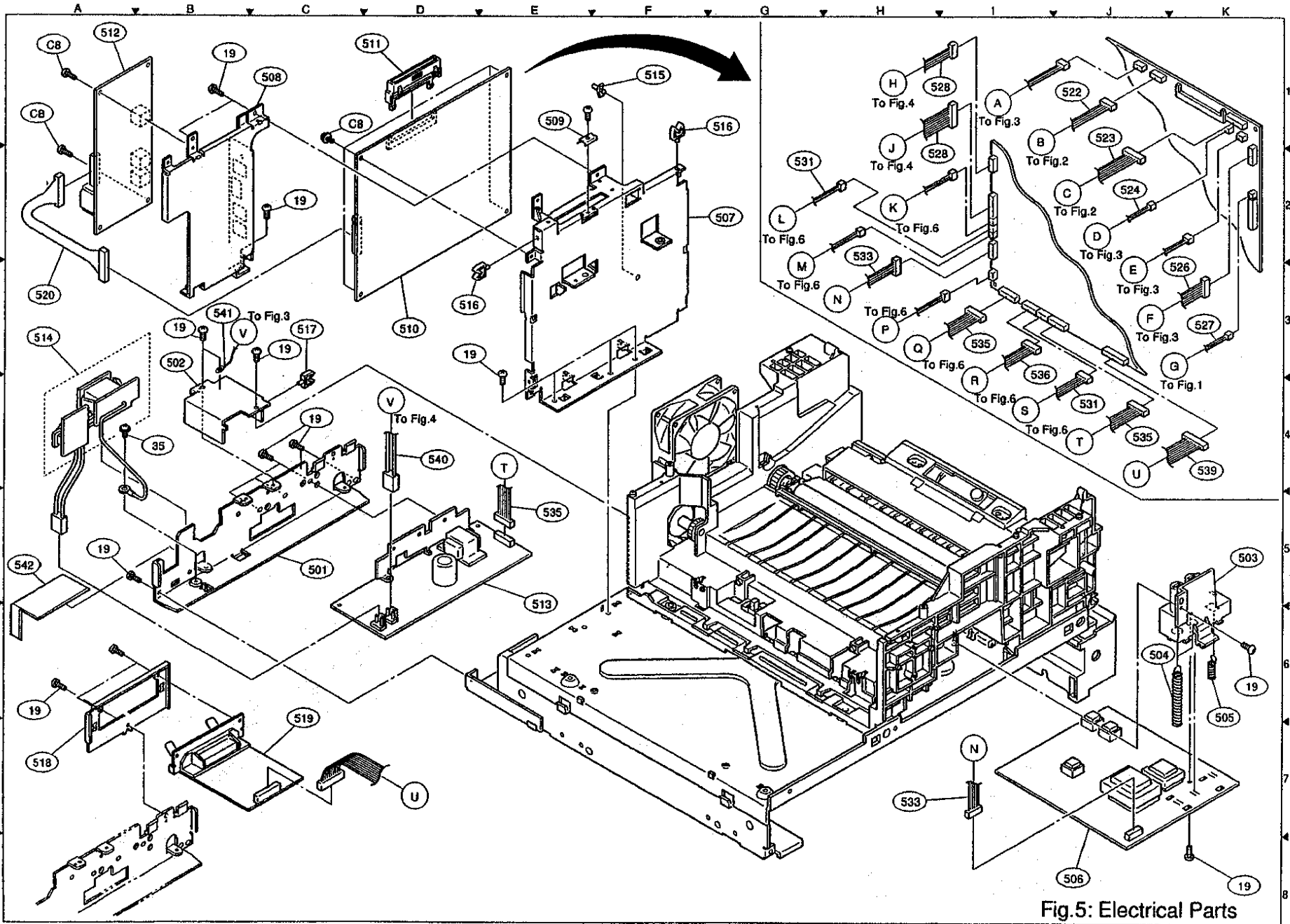


Fig.5: Electrical Parts

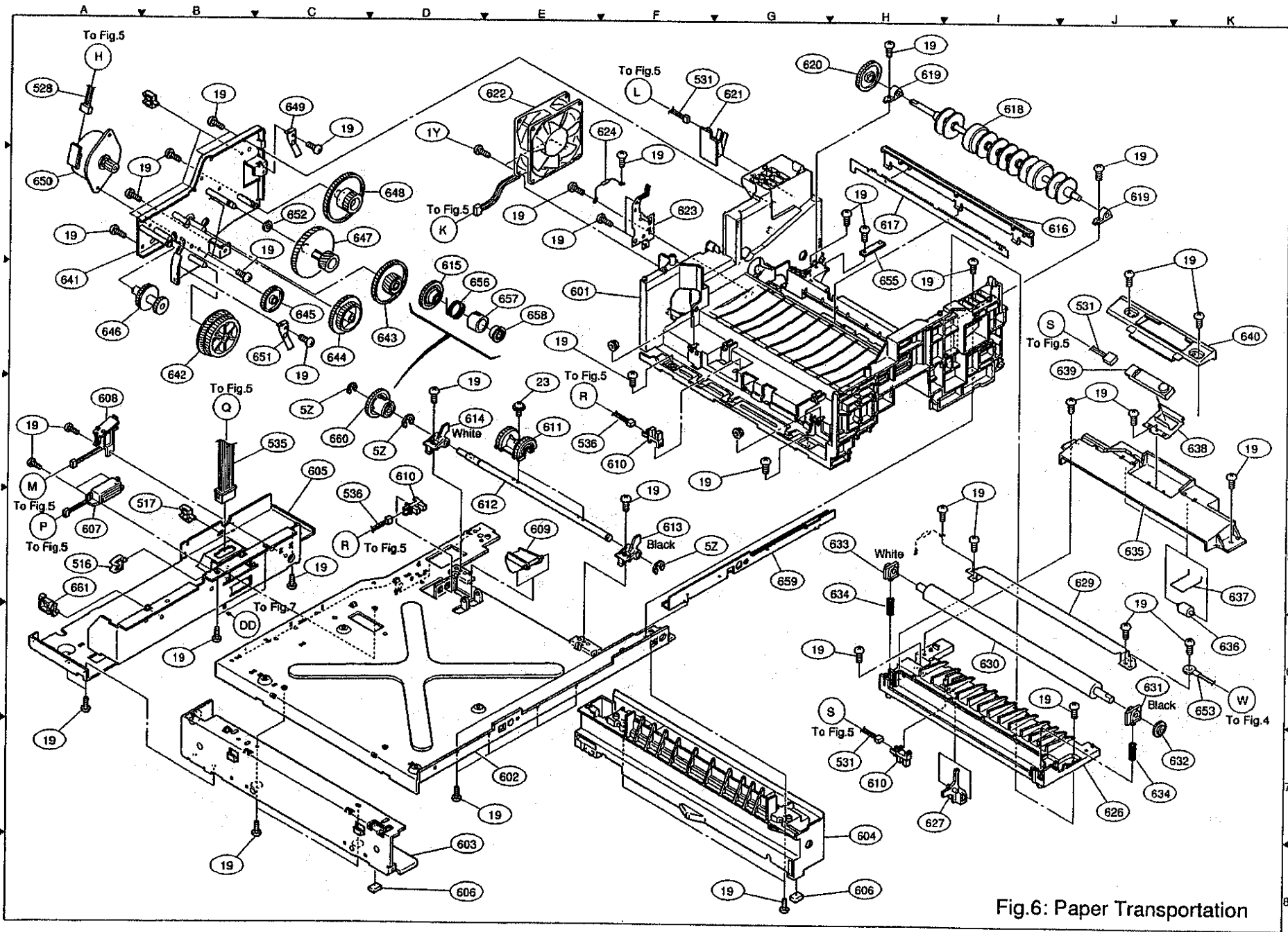


Fig.6: Paper Transportation

Exploded View & Parts List

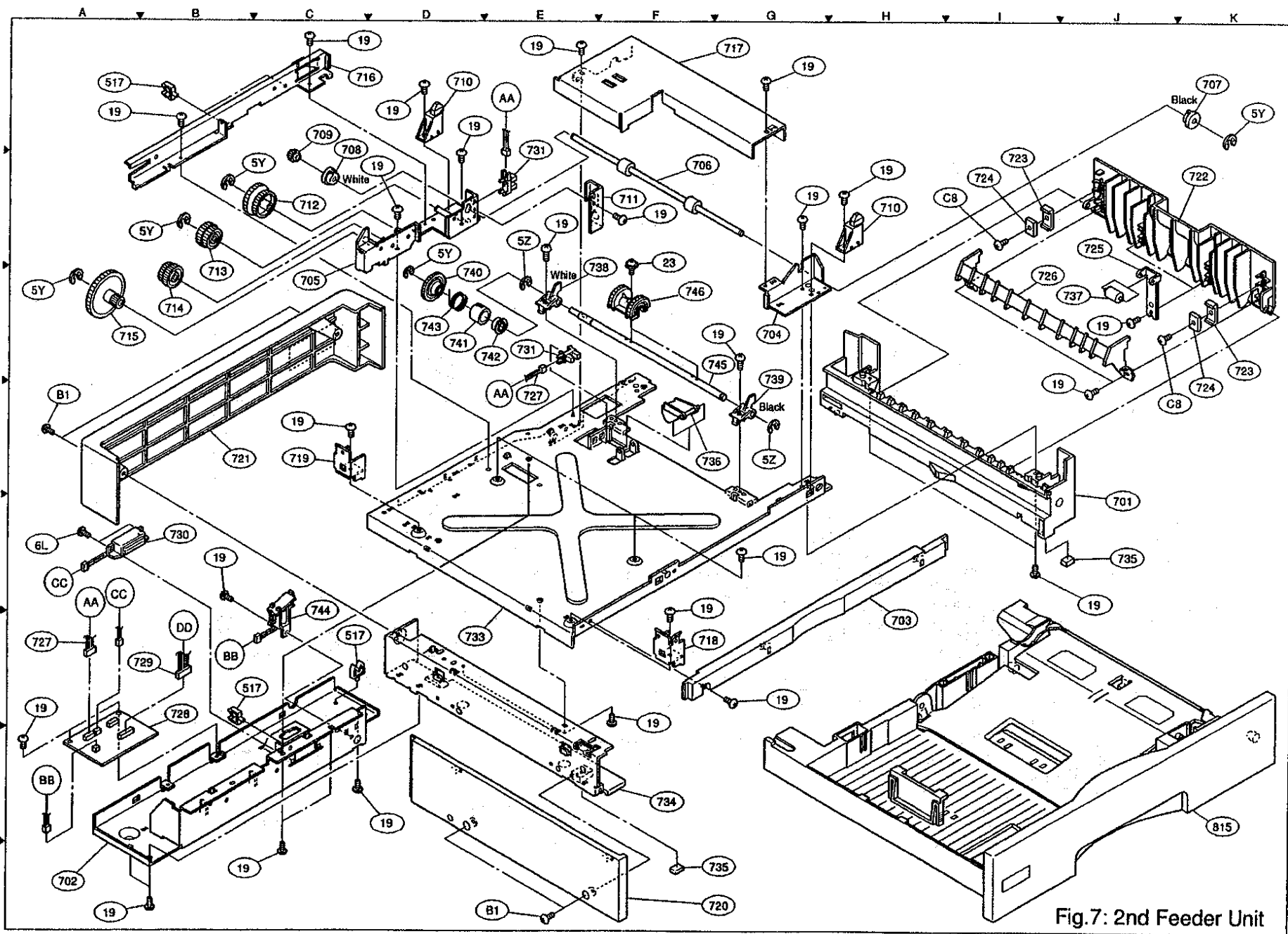


Fig.7: 2nd Feeder Unit

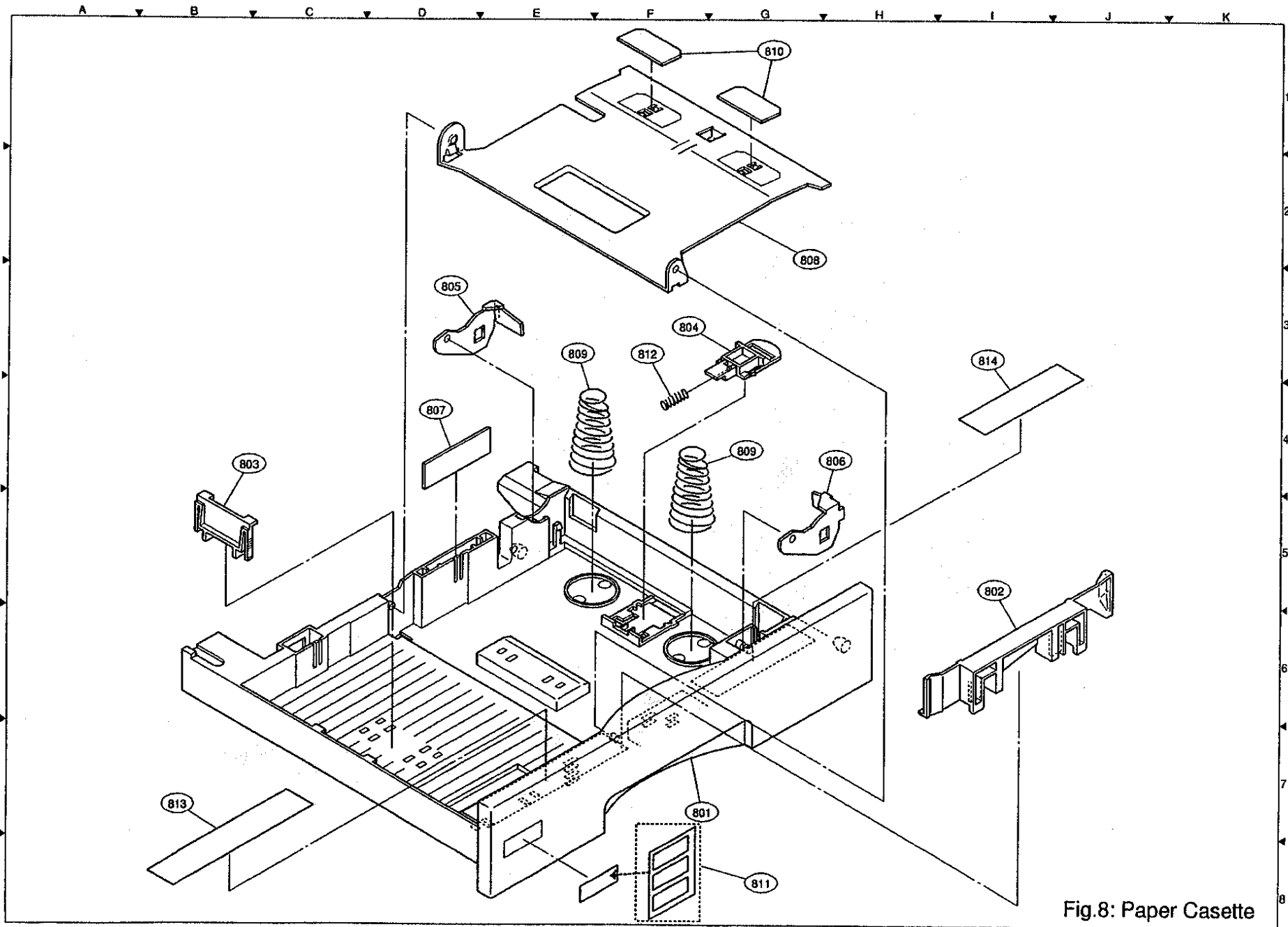


Fig.8: Paper Cassette

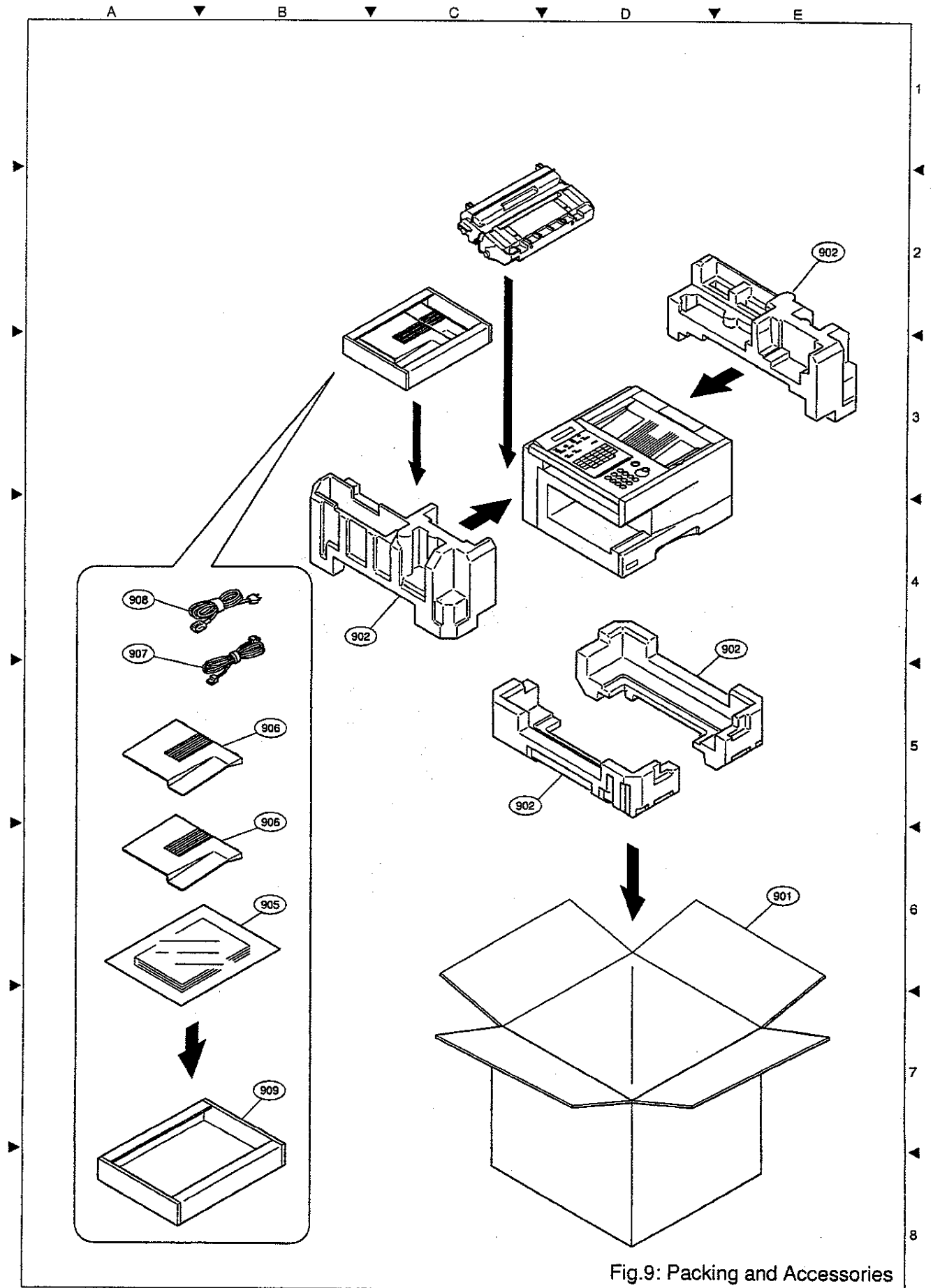


Fig.9: Packing and Accessories

7.1 Cover Assemblies (1/2)

Ref No	Part Number	Part Name	AA	AB	AD	AE	AF	AG	AH	EE	AJ	AK	AL	AM	AN	AP	AQ	AR	AS	AT	AU	AV	AW	YA	YB	YC	YJ	YM	YT	YV	YW	YX	YY	Location		
101	DZJE000165	Cradle, Upper				1						1								1	1		1											2A		
102	DZFN000061	Cord, Cradle				1														1	1														2B	
102	DZFN000062	Cord, Cradle										1									1		1							1					2B	
103	DZEC100422	PC Board, SRU																			1			1						1				1	4B	
103	DZEC100492	PC Board, SRU																								1	1								4B	
103	DZEC100494	PC Board, SRU																														1			4B	
103	DZEC100495	PC Board, SRU																					1												4B	
103	DZEC100493	PC Board, SRU										1																							4B	
103	DZEC100497	PC Board, SRU				1															1														4B	
104	DZJE000166	Cradle, Lower				1						1									1	1		1											4A	
105	DZMA000194	Cover, Front	1	1	1	1	1	1	1	1	1	1	1	1	1	1	1	1	1	1	1	1	1	1	1	1	1	1	1	1	1	1	1	1	8J	
106	DZMA000198	Cover, Sub, Front	1	1	1	1	1	1	1	1	1	1	1	1	1	1	1	1	1	1	1	1	1	1	1	1	1	1	1	1	1	1	1	1	1	G
107	DZMA000195	Cover, Left Side	1	1	1	1	1	1	1	1	1	1	1	1	1	1	1	1	1	1	1	1	1	1	1	1	1	1	1	1	1	1	1	1	1	8E
108	DZMA000200	Cover, Rear	1	1	1	1	1	1	1	1	1	1	1	1	1	1	1	1	1	1	1	1	1	1	1	1	1	1	1	1	1	1	1	1	1	5B
109	DZJE000089	Cover, Battery	1	1	1	1	1	1	1	1	1	1	1	1	1	1	1	1	1	1	1	1	1	1	1	1	1	1	1	1	1	1	1	1	1	5A
110	DZMA000193	Cover, Paper Guide	1	1	1	1	1	1	1	1	1	1	1	1	1	1	1	1	1	1	1	1	1	1	1	1	1	1	1	1	1	1	1	1	1	3H
111	DZML000100	Guide, Paper, Right	1	1	1	1	1	1	1	1	1	1	1	1	1	1	1	1	1	1	1	1	1	1	1	1	1	1	1	1	1	1	1	1	1	1G
112	DZML000101	Guide, Paper, Left	1	1	1	1	1	1	1	1	1	1	1	1	1	1	1	1	1	1	1	1	1	1	1	1	1	1	1	1	1	1	1	1	1	1H
113	DZLF000077	Gear, D14	1	1	1	1	1	1	1	1	1	1	1	1	1	1	1	1	1	1	1	1	1	1	1	1	1	1	1	1	1	1	1	1	1	3G
116	DZJA000138	Plate, Transmitter	1	1	1	1	1	1	1	1	1	1	1	1	1	1	1	1	1	1	1	1	1	1	1	1	1	1	1	1	1	1	1	1	1	6I
117	DZJM000095	Guide, Transmit	1	1	1	1	1	1	1	1	1	1	1	1	1	1	1	1	1	1	1	1	1	1	1	1	1	1	1	1	1	1	1	1	1	1B
118	DZHC000036	Actuator, C	1	1	1	1	1	1	1	1	1	1	1	1	1	1	1	1	1	1	1	1	1	1	1	1	1	1	1	1	1	1	1	1	1	3C
119	DZHC000035	Actuator, B	1	1	1	1	1	1	1	1	1	1	1	1	1	1	1	1	1	1	1	1	1	1	1	1	1	1	1	1	1	1	1	1	1	3C
120	DZHC000034	Actuator, A	1	1	1	1	1	1	1	1	1	1	1	1	1	1	1	1	1	1	1	1	1	1	1	1	1	1	1	1	1	1	1	1	1	3C
121	DZYNA1542	PC Board, SNS	1	1	1	1	1	1	1	1	1	1	1	1	1	1	1	1	1	1	1	1	1	1	1	1	1	1	1	1	1	1	1	1	1	3C
122	DZMB000004	Cover, Printer	1	1	1	1	1	1	1	1	1	1	1	1	1	1	1	1	1	1	1	1	1	1	1	1	1	1	1	1	1	1	1	1	1	2I
123	DZMA000185	Switch	1	1	1	1	1	1	1	1	1	1	1	1	1	1	1	1	1	1	1	1	1	1	1	1	1	1	1	1	1	1	1	1	1	3K
124	DZJE000087	Document Sub Tray	1	1	1	1	1	1	1	1	1	1	1	1	1	1	1	1	1	1	1	1	1	1	1	1	1	1	1	1	1	1	1	1	1	2J
125	DZKG000036	Shaft, Latch	1	1	1	1	1	1	1	1	1	1	1	1	1	1	1	1	1	1	1	1	1	1	1	1	1	1	1	1	1	1	1	1	1	1J
126	DZLM000045	Latch	1	1	1	1	1	1	1	1	1	1	1	1	1	1	1	1	1	1	1	1	1	1	1	1	1	1	1	1	1	1	1	1	1	1H, 2K
128	DZKN000085	Spring, Latch	1	1	1	1	1	1	1	1	1	1	1	1	1	1	1	1	1	1	1	1	1	1	1	1	1	1	1	1	1	1	1	1	1	1H
129	DZKP000078	Spring, Toner Cartridge Pressure	1	1	1	1	1	1	1	1	1	1	1	1	1	1	1	1	1	1	1	1	1	1	1	1	1	1	1	1	1	1	1	1	1	3I
130	DZLA000080	Roller, Pinch	1	1	1	1	1	1	1	1	1	1	1	1	1	1	1	1	1	1	1	1	1	1	1	1	1	1	1	1	1	1	1	1	1	4I
131	DZKR000003	Spring, Pinch Roller	1	1	1	1	1	1	1	1	1	1	1	1	1	1	1	1	1	1	1	1	1	1	1	1	1	1	1	1	1	1	1	1	1	4I
132	DZNK000282	Label, Function(English)		1		1			1			1	1	1						1	1			1	1	1	1	1	1	1	1	1	1	1	1	4D
132	DZNK000343	Label, Function(Danish)			1																															4D
132	DZNK000344	Label, Function(Finnish)					1																													4D
132	DZNK000342	Label, Function(German)	1					1																												4D

Exploded View & Parts List

7.1 Cover Assemblies (2/2)

Ref No	Part Number	Part Name	AA	AB	AD	AE	AF	AG	AH	EE	AJ	AK	AL	AM	AN	AP	AQ	AR	AS	AT	AU	AV	AW	YA	YB	YC	YJ	YM	YT	YV	YW	YX	YY	Location	
132	DZNK000345	Label, Function(Italian)								1																								4D	
132	DZNK000346	Label, Function(Spanish)									1																								4D
132	DZNK000347	Label, Function(Norwegian)													1																				4D
132	DZNK000348	Label, Function(Portuguse)														1																			4D
132	DZNK000349	Label, Function(Swedish)																	1																4D
132	DZNK000350	Label, Function(French)																					1												4D
133	DZDR000001	Speaker	1	1	1	1	1	1	1	1	1	1	1	1	1	1	1	1	1	1	1	1	1	1	1	1	1	1	1	1	1	1	1	1	7A
906	DZMC000101	Tray, Document	1	1	1	1	1	1	1	1	1	1	1	1	1	1	1	1	1	1	1	1	1	1	1	1	1	1	1	1	1	1	1	1	8C
910	DZML000132	Cradle Assembly																				1													2B
910	DZML000138	Cradle Assembly				1																													2B
910	DZML000137	Cradle Assembly										1																							2B
910	DZML000139	Cradle Assembly																			1														2B
910	DZML000136	Cradle Assembly																					1												2B
910	DZML000134	Cradle Assembly																									1	1		1					2B
910	DZML000135	Cradle Assembly																																1	2B
911	DZDU000031	Handset	1			1															1	1			1	1	1		1	1	1	1	1	1	2A
911	DZDU000024	Handset										1											1												2A
912	DZFN000066	Cord, Handset	1			1						1										1	1		1	1	1		1	1	1	1	1	1	2A
11	XYN3+F12	Screw	1	1	1	1	1	1	1	1	1	1	1	1	1	1	1	1	1	1	1	1	1	1	1	1	1	1	1	1	1	1	1	1	1J
19	XTB3+8J	Screw	1	1	1	1	1	1	1	1	1	1	1	1	1	1	1	1	1	1	1	1	1	1	1	1	1	1	1	1	1	1	1	1	1C, 3F, 3H, 4B, 6H, 6I
23	XYN3+F8	Screw	1	1	1	1	1	1	1	1	1	1	1	1	1	1	1	1	1	1	1	1	1	1	1	1	1	1	1	1	1	1	1	1	1H, 3K
B1	DZPB000007	Screw	1	1	1	1	1	1	1	1	1	1	1	1	1	1	1	1	1	1	1	1	1	1	1	1	1	1	1	1	1	1	1	1	2H, 4C, 8C
C8	XTW3+8SFC	Screw	1	1	1	1	1	1	1	1	1	1	1	1	1	1	1	1	1	1	1	1	1	1	1	1	1	1	1	1	1	1	1	1	3G, 6A

7.2 Control Panel Unit (1/2)

Ref No	Part Number	Part Name	AA	AB	AD	AE	AF	AG	AH	EE	AJ	AK	AL	AM	AN	AP	AQ	AR	AS	AT	AU	AV	AW	YA	YB	YC	YJ	YM	YT	YV	YW	YX	YY	Location	
201	DZMA000197	Cover, Panel	1	1	1	1	1	1	1	1	1	1	1	1	1	1	1	1	1	1	1	1	1	1	1	1	1	1	1	1	1	1	1	2D	
202	DZNA000194	Sheet, One-Touch	1	1	1	1	1	1	1	1	1	1	1	1	1	1	1	1	1	1	1	1	1	1	1	1	1	1	1	1	1	1	1	2G	
203	DZNA000193	Cover, Directory Sheet	1						1								1	1		1	1		1	1	1	1	1	1	1	1	1	1	1	1G	
203	DZNA000210	Cover, Directory Sheet		1																														1G	
203	DZNA000237	Cover, Directory Sheet			1																													1G	
203	DZNA000224	Cover, Directory Sheet				1																												1G	
203	DZNA000225	Cover, Directory Sheet	1				1																											1G	
203	DZNA000211	Cover, Directory Sheet						1																										1G	
203	DZNA000212	Cover, Directory Sheet							1																									1G	
203	DZNA000238	Cover, Directory Sheet									1																							1G	
203	DZNA000226	Cover, Directory Sheet													1																			1G	
203	DZNA000239	Cover, Directory Sheet														1																		1G	
203	DZNA000213	Cover, Directory Sheet																		1														1G	
203	DZNA000227	Cover, Directory Sheet																				1	1											1G	
204	DZNA000196	Window, LCD	1	1	1	1	1	1	1	1	1	1	1	1	1	1	1	1	1	1	1	1	1	1	1	1	1	1	1	1	1	1	1	1C	
205	DZKB000145	Ten Key																			1												1	3I	
205	DZKB000151	Ten Key		1	1				1			1	1	1	1		1	1		1			1	1	1	1	1	1	1	1	1		1	3I	
205	DZKB000192	Ten Key				1																													3I
205	DZKB000196	Ten Key					1																												3I
205	DZKB000172	Ten Key	1					1																											3I
205	DZKB000173	Ten Key								1																									3I
205	DZKB000206	Ten Key									1																								3I
205	DZKB000209	Ten Key														1																			3I
205	DZKB000174	Ten Key																		1			1												3I
205	DZKB000175	Ten Key																					1												3I
206	DZKB000146	Start Key	1	1	1		1	1	1			1	1	1	1		1	1	1	1	1		1	1	1	1	1	1	1	1	1	1	1	4G	
206	DZKB000193	Start Key				1																													4G
206	DZKB000176	Start Key								1																									4G
206	DZKB000207	Start Key									1																								4G
206	DZKB000210	Start Key														1																			4G
206	DZKB000200	Start Key																				1													4G
207	DZKB000147	Copy Key	1	1				1				1	1	1						1	1		1	1	1	1	1	1	1	1	1	1	1	4G	
207	DZKB000198	Copy Key			1																														4G
207	DZKB000194	Copy Key				1														1															4G
207	DZKB000197	Copy Key					1																												4G
207	DZKB000177	Copy Key						1																											4G
207	DZKB000178	Copy Key							1	1																									4G
207	DZKB000211	Copy Key																																	4G

Exploded View & Parts List

7.3 Transmitter Assembly (1/2)

Ref No	Part Number	Part Name	AA	AB	AD	AE	AF	AG	AH	EE	AJ	AK	AL	AM	AN	AP	AQ	AR	AS	AT	AU	AV	AW	YA	YB	YC	YJ	YM	YT	YV	YW	YX	YY	Location	
301	DZJB000018	Chassis, Transmitter	1	1	1	1	1	1	1	1	1	1	1	1	1	1	1	1	1	1	1	1	1	1	1	1	1	1	1	1	1	1	1	4J	
302	DZMG000013	Latch	1	1	1	1	1	1	1	1	1	1	1	1	1	1	1	1	1	1	1	1	1	1	1	1	1	1	1	1	1	1	1	3F, 5J	
303	DZKN000086	Spring, Coil, Latch	1	1	1	1	1	1	1	1	1	1	1	1	1	1	1	1	1	1	1	1	1	1	1	1	1	1	1	1	1	1	1	2F, 5J	
305	DZHP000123	Bracket, Motor	1	1	1	1	1	1	1	1	1	1	1	1	1	1	1	1	1	1	1	1	1	1	1	1	1	1	1	1	1	1	1	2B	
306	DZGG000011	Transmit Motor	1	1	1	1	1	1	1	1	1	1	1	1	1	1	1	1	1	1	1	1	1	1	1	1	1	1	1	1	1	1	1	2B	
307	DZLF000089	Gear, B20B42	1	1	1	1	1	1	1	1	1	1	1	1	1	1	1	1	1	1	1	1	1	1	1	1	1	1	1	1	1	1	1	1B	
308	DZLF000090	Gear, Clutch, B34	1	1	1	1	1	1	1	1	1	1	1	1	1	1	1	1	1	1	1	1	1	1	1	1	1	1	1	1	1	1	1	1B	
309	DZKN000055	Spring, Coil	1	1	1	1	1	1	1	1	1	1	1	1	1	1	1	1	1	1	1	1	1	1	1	1	1	1	1	1	1	1	1	1A	
310	DZLF000086	Gear, B30	1	1	1	1	1	1	1	1	1	1	1	1	1	1	1	1	1	1	1	1	1	1	1	1	1	1	1	1	1	1	1	1A	
311	DZLF000085	Gear, B50	1	1	1	1	1	1	1	1	1	1	1	1	1	1	1	1	1	1	1	1	1	1	1	1	1	1	1	1	1	1	1	1A	
312	DZLF000092	Gear, B44	1	1	1	1	1	1	1	1	1	1	1	1	1	1	1	1	1	1	1	1	1	1	1	1	1	1	1	1	1	1	1	1	1A
313	DZLF000150	Gear, B58	1	1	1	1	1	1	1	1	1	1	1	1	1	1	1	1	1	1	1	1	1	1	1	1	1	1	1	1	1	1	1	1	2A
314	DZLF000116	Gear, Drive, B31B61	1	1	1	1	1	1	1	1	1	1	1	1	1	1	1	1	1	1	1	1	1	1	1	1	1	1	1	1	1	1	1	1	2D
315	DZJA000142	Bracket, Gear	1	1	1	1	1	1	1	1	1	1	1	1	1	1	1	1	1	1	1	1	1	1	1	1	1	1	1	1	1	1	1	1	3C
316	DZKP000067	Earth Plate, A	1	1	1	1	1	1	1	1	1	1	1	1	1	1	1	1	1	1	1	1	1	1	1	1	1	1	1	1	1	1	1	1	3C
317	DZJB000016	Bracket, ADF	1	1	1	1	1	1	1	1	1	1	1	1	1	1	1	1	1	1	1	1	1	1	1	1	1	1	1	1	1	1	1	1	2K
318	DZLF000015	Gear, B44	1	1	1	1	1	1	1	1	1	1	1	1	1	1	1	1	1	1	1	1	1	1	1	1	1	1	1	1	1	1	1	1	1K
319	DZKN000006	Spring, Coil, Idle Gear	1	1	1	1	1	1	1	1	1	1	1	1	1	1	1	1	1	1	1	1	1	1	1	1	1	1	1	1	1	1	1	1	1K
320	DZLF000038	Gear, Intermediate	1	1	1	1	1	1	1	1	1	1	1	1	1	1	1	1	1	1	1	1	1	1	1	1	1	1	1	1	1	1	1	1	1K
321	DZLF000149	Gear, ADF	1	1	1	1	1	1	1	1	1	1	1	1	1	1	1	1	1	1	1	1	1	1	1	1	1	1	1	1	1	1	1	1	3J
322	DZLA000089	Shaft, ADF	1	1	1	1	1	1	1	1	1	1	1	1	1	1	1	1	1	1	1	1	1	1	1	1	1	1	1	1	1	1	1	1	3J
323	DZLA000029	Roller, ADF	1	1	1	1	1	1	1	1	1	1	1	1	1	1	1	1	1	1	1	1	1	1	1	1	1	1	1	1	1	1	1	1	3I
324	DZKP000068	Plate, Pressure	1	1	1	1	1	1	1	1	1	1	1	1	1	1	1	1	1	1	1	1	1	1	1	1	1	1	1	1	1	1	1	1	1K
325	DZLA000014	Roller, Pre-Feed	1	1	1	1	1	1	1	1	1	1	1	1	1	1	1	1	1	1	1	1	1	1	1	1	1	1	1	1	1	1	1	1	1J
326	DZLF000115	Gear, Drive, B35	1	1	1	1	1	1	1	1	1	1	1	1	1	1	1	1	1	1	1	1	1	1	1	1	1	1	1	1	1	1	1	1	1F, 4B
327	DZLM000050	Bushing, P6L8	1	1	1	1	1	1	1	1	1	1	1	1	1	1	1	1	1	1	1	1	1	1	1	1	1	1	1	1	1	1	1	1	2G, 3I
328	DZLA000070	Roller, Feed	1	1	1	1	1	1	1	1	1	1	1	1	1	1	1	1	1	1	1	1	1	1	1	1	1	1	1	1	1	1	1	1	2H
329	DZLM000060	Busing, P6	1	1	1	1	1	1	1	1	1	1	1	1	1	1	1	1	1	1	1	1	1	1	1	1	1	1	1	1	1	1	1	1	5B, 6D
330	DZLA000071	Roller, Eject	1	1	1	1	1	1	1	1	1	1	1	1	1	1	1	1	1	1	1	1	1	1	1	1	1	1	1	1	1	1	1	1	5C
331	DZKG000027	Shaft, Transmission	1	1	1	1	1	1	1	1	1	1	1	1	1	1	1	1	1	1	1	1	1	1	1	1	1	1	1	1	1	1	1	1	2H
332	DZJA000130	Bracket, LED	1	1	1	1	1	1	1	1	1	1	1	1	1	1	1	1	1	1	1	1	1	1	1	1	1	1	1	1	1	1	1	1	6H
333	LNR304706	A4 LED Array Assembly	1	1	1	1	1	1	1	1	1	1	1	1	1	1	1	1	1	1	1	1	1	1	1	1	1	1	1	1	1	1	1	1	5G
334	DZHP000237	Stamp Unit (Blue)																																	6I
334	DZHP000240	Stamp Unit (Pink)	1	1	1	1	1	1	1	1	1	1	1	1	1	1	1	1	1	1	1	1	1	1	1	1	1	1	1	1	1	1	1	1	6I
335	DZHP000235	Stamp Solenoid	1	1	1	1	1	1	1	1	1	1	1	1	1	1	1	1	1	1	1	1	1	1	1	1	1	1	1	1	1	1	1	1	7I
337	DZTC000003	Mirror1	1	1	1	1	1	1	1	1	1	1	1	1	1	1	1	1	1	1	1	1	1	1	1	1	1	1	1	1	1	1	1	1	7C
338	DZTC000002	Mirror2	1	1	1	1	1	1	1	1	1	1	1	1	1	1	1	1	1	1	1	1	1	1	1	1	1	1	1	1	1	1	1	1	6F
339	DZKP000001	Plate Spring, Mirror	1	1	1	1	1	1	1	1	1	1	1	1	1	1	1	1	1	1	1	1	1	1	1	1	1	1	1	1	1	1	1	1	6C, 6F, 7G, 8E

Exploded View & Parts List

Transmitter Assembly (2/2)

Ref No	Part Number	Part Name	AA	AB	AD	AE	AF	AG	AH	EE	AJ	AK	AL	AM	AN	AP	AQ	AR	AS	AT	AU	AV	AW	YA	YB	YC	YJ	YM	YT	YV	YW	YX	YY	Location		
340	DZHP000138	Scanner Assembly	1	1	1	1	1	1	1	1	1	1	1	1	1	1	1	1	1	1	1	1	1	1	1	1	1	1	1	1	1	1	1	1	7A	
341	DZTE000008	Glass, Scanning	1	1	1	1	1	1	1	1	1	1	1	1	1	1	1	1	1	1	1	1	1	1	1	1	1	1	1	1	1	1	1	1	1	5E
342	DZYC0539C	PC Board, CCD	1	1	1	1	1	1	1	1	1	1	1	1	1	1	1	1	1	1	1	1	1	1	1	1	1	1	1	1	1	1	1	1	1	7B
343	DZLM000061	Bushing, P6	1	1	1	1	1	1	1	1	1	1	1	1	1	1	1	1	1	1	1	1	1	1	1	1	1	1	1	1	1	1	1	1	1	2E
19	XTB3+8J	Screw	1	1	1	1	1	1	1	1	1	1	1	1	1	1	1	1	1	1	1	1	1	1	1	1	1	1	1	1	1	1	1	1	1B, 1C, 2D, 2F, 2I 2K, 6C, 6G, 7J, 8F	
4N	XSN3+W8FC	Screw	1	1	1	1	1	1	1	1	1	1	1	1	1	1	1	1	1	1	1	1	1	1	1	1	1	1	1	1	1	1	1	1	1	8B
9H	XTN26+6J	Screw	1	1	1	1	1	1	1	1	1	1	1	1	1	1	1	1	1	1	1	1	1	1	1	1	1	1	1	1	1	1	1	1	1	5G

7.4 Fuser Unit

Ref No	Part Number	Part Name	AA	AB	AD	AE	AF	AG	AH	EE	AJ	AK	AL	AM	AN	AP	AQ	AR	AS	AT	AU	AV	AW	YA	YB	YC	YJ	YM	YT	YV	YW	YX	YY	Location			
401	DZJB000012	Cover, Fuser	1	1	1	1	1	1	1	1	1	1	1	1	1	1	1	1	1	1	1	1	1	1	1	1	1	1	1	1	1	1	1	1	3D		
402	DZLA000083	Roller, Idle	1	1	1	1	1	1	1	1	1	1	1	1	1	1	1	1	1	1	1	1	1	1	1	1	1	1	1	1	1	1	1	1	1C, 2D		
403	DZKR000005	Spring, Pinch Roller	1	1	1	1	1	1	1	1	1	1	1	1	1	1	1	1	1	1	1	1	1	1	1	1	1	1	1	1	1	1	1	1	1C, 1D		
*404	DZJC000082	Terminal, Fuser Lamp, C	1	1	1	1	1	1	1	1	1	1	1	1	1	1	1	1	1	1	1	1	1	1	1	1	1	1	1	1	1	1	1	1	1B		
405	DZGT000010	Thermistor Assembly	1	1	1	1	1	1	1	1	1	1	1	1	1	1	1	1	1	1	1	1	1	1	1	1	1	1	1	1	1	1	1	1	2B		
406	DZJL000017	Terminal, Fuser Lamp, A	1	1	1	1	1	1	1	1	1	1	1	1	1	1	1	1	1	1	1	1	1	1	1	1	1	1	1	1	1	1	1	1	3C		
*407	DZJC000081	Terminal, Fuser Lamp, B	1	1	1	1	1	1	1	1	1	1	1	1	1	1	1	1	1	1	1	1	1	1	1	1	1	1	1	1	1	1	1	1	4D		
*408	DZGN000006	Lamp, Fuser(115V)				1																1												1	3B		
*408	DZGN000001	Lamp, Fuser(220V)	1	1	1		1	1	1	1	1	1	1	1	1	1	1	1	1	1	1		1	1	1	1	1	1	1	1	1	1	1	1	3B		
*409	DZLA000088	Roller, Pressure	1	1	1	1	1	1	1	1	1	1	1	1	1	1	1	1	1	1	1	1	1	1	1	1	1	1	1	1	1	1	1	1	1	3D	
410	DZLM000041	Bushing, P6L5.5	1	1	1	1	1	1	1	1	1	1	1	1	1	1	1	1	1	1	1	1	1	1	1	1	1	1	1	1	1	1	1	1	5C, 6E		
*411	DZKK000019	Plate, Pressure Roller	1	1	1	1	1	1	1	1	1	1	1	1	1	1	1	1	1	1	1	1	1	1	1	1	1	1	1	1	1	1	1	1	1	5C, 7F	
412	DZKN000068	Spring, Pressure	1	1	1	1	1	1	1	1	1	1	1	1	1	1	1	1	1	1	1	1	1	1	1	1	1	1	1	1	1	1	1	1	1	5C, 6F	
*413	DZGT000008	Brush, Discharge, Front	1	1	1	1	1	1	1	1	1	1	1	1	1	1	1	1	1	1	1	1	1	1	1	1	1	1	1	1	1	1	1	1	1	7D	
*414	DZLA000072	Roller, Fuser	1	1	1	1	1	1	1	1	1	1	1	1	1	1	1	1	1	1	1	1	1	1	1	1	1	1	1	1	1	1	1	1	1	6C	
415	DZJB000023	Frame, Fuser	1	1	1	1	1	1	1	1	1	1	1	1	1	1	1	1	1	1	1	1	1	1	1	1	1	1	1	1	1	1	1	1	1	7C	
*416	DZLM000047	Bushing, P17L6.8	1	1	1	1	1	1	1	1	1	1	1	1	1	1	1	1	1	1	1	1	1	1	1	1	1	1	1	1	1	1	1	1	1	5B, 7E	
*417	DZLF000147	Gear, Drive, E24	1	1	1	1	1	1	1	1	1	1	1	1	1	1	1	1	1	1	1	1	1	1	1	1	1	1	1	1	1	1	1	1	1	6A	
*418	DZPJ000002	C-Ring	1	1	1	1	1	1	1	1	1	1	1	1	1	1	1	1	1	1	1	1	1	1	1	1	1	1	1	1	1	1	1	1	1	5A, 7E	
*419	DZLF000148	Gear, E14	1	1	1	1	1	1	1	1	1	1	1	1	1	1	1	1	1	1	1	1	1	1	1	1	1	1	1	1	1	1	1	1	1	6A, 6B	
*420	DZHC000029	Actuator, Exit, paper	1	1	1	1	1	1	1	1	1	1	1	1	1	1	1	1	1	1	1	1	1	1	1	1	1	1	1	1	1	1	1	1	1	7C	
422	DZLA000078	Roller, Exit	1	1	1	1	1	1	1	1	1	1	1	1	1	1	1	1	1	1	1	1	1	1	1	1	1	1	1	1	1	1	1	1	1	7B	
423	DZLM000040	Bushing, P3.5L11.2	1	1	1	1	1	1	1	1	1	1	1	1	1	1	1	1	1	1	1	1	1	1	1	1	1	1	1	1	1	1	1	1	1	8C	
424	DZLM000039	Bushing, P3.5L11.2	1	1	1	1	1	1	1	1	1	1	1	1	1	1	1	1	1	1	1	1	1	1	1	1	1	1	1	1	1	1	1	1	1	6A	
425	DZLF000129	Gear, E22	1	1	1	1	1	1	1	1	1	1	1	1	1	1	1	1	1	1	1	1	1	1	1	1	1	1	1	1	1	1	1	1	1	6A	
*426	DZJF000161	Guide, Paper, Lower	1	1	1	1	1	1	1	1	1	1	1	1	1	1	1	1	1	1	1	1	1	1	1	1	1	1	1	1	1	1	1	1	1	1	8B
*427	DZGT000009	Brush, Discharge, Rear	1	1	1	1	1	1	1	1	1	1	1	1	1	1	1	1	1	1	1	1	1	1	1	1	1	1	1	1	1	1	1	1	1	1	8A
428	DZJF000155	Stay, LSU	1	1	1	1	1	1	1	1	1	1	1	1	1	1	1	1	1	1	1	1	1	1	1	1	1	1	1	1	1	1	1	1	1	1	1F
429	A4-LSU-PD	Laser Unit	1	1	1	1	1	1	1	1	1	1	1	1	1	1	1	1	1	1	1	1	1	1	1	1	1	1	1	1	1	1	1	1	1	1J	
430	DZPF000001	Nut	1	1	1	1	1	1	1	1	1	1	1	1	1	1	1	1	1	1	1	1	1	1	1	1	1	1	1	1	1	1	1	1	1	1F, 4J	
431	DZHP000145	Fuser Unit, 115V				1																														4E	
431	DZHP000216	Fuser Unit, 220V	1	1	1		1	1	1	1	1	1	1	1	1	1	1	1	1	1	1		1	1	1	1	1	1	1	1	1	1	1	1	1	4E	
432	DZGT000011	Thermostat	1	1	1	1	1	1	1	1	1	1	1	1	1	1	1	1	1	1	1	1	1	1	1	1	1	1	1	1	1	1	1	1	1	1	1G, 1H, 1K, 2H, 8D
433	DZGT000013	Thermal Fuse	1	1	1	1	1	1	1	1	1	1	1	1	1	1	1	1	1	1	1	1	1	1	1	1	1	1	1	1	1	1	1	1	1	1	1B, 2D, 4C, 4D
19	XTB3+8J	Screw	1	1	1	1	1	1	1	1	1	1	1	1	1	1	1	1	1	1	1	1	1	1	1	1	1	1	1	1	1	1	1	1	1	1G, 1H, 1K, 2H, 8D	
23	XYN3+F8	Screw	1	1	1	1	1	1	1	1	1	1	1	1	1	1	1	1	1	1	1	1	1	1	1	1	1	1	1	1	1	1	1	1	1	1	1B, 2D, 4C, 4D
4N	XSN3+W8FC	Screw	1	1	1	1	1	1	1	1	1	1	1	1	1	1	1	1	1	1	1	1	1	1	1	1	1	1	1	1	1	1	1	1	1	3B, 7B, 7E, 8D	
1Q	XYN3+F10	Screw	1	1	1	1	1	1	1	1	1	1	1	1	1	1	1	1	1	1	1	1	1	1	1	1	1	1	1	1	1	1	1	1	1	2A	

Exploded View & Parts List

Panasonic UF-550 / UF-A8700

NOTE: When Thermostat (Ref. No. 432) and / or Thermal Fuse (Ref. No. 433) was defective by Fuser over heat condition. * mark part also may deformed.

Please replace * mark part (Refer to page 7-8, 7-14) when you replace these part at the same time or replace entire Fuser Unit (Ref. No. 431)

7.5 Electrical Parts (1/2)

Ref No	Part Number	Part Name	AA	AB	AD	AE	AF	AG	AH	EE	AJ	AK	AL	AM	AN	AP	AQ	AR	AS	AT	AU	AV	AW	YA	YB	YC	YJ	YM	YT	YV	YW	YX	YY	Location	
501	DZJA000140	Chassis, Power Supply PCB	1	1	1	1	1	1	1	1	1	1	1	1	1	1	1	1	1	1	1	1	1	1	1	1	1	1	1	1	1	1	1	5C	
502	DZJE000078	Cover, Capacitor	1	1	1	1	1	1	1	1	1	1	1	1	1	1	1	1	1	1	1	1	1	1	1	1	1	1	1	1	1	1	1	3B	
503	DZJA000139	Bracket, Connection	1	1	1	1	1	1	1	1	1	1	1	1	1	1	1	1	1	1	1	1	1	1	1	1	1	1	1	1	1	1	1	5K	
504	DZKN000069	Spring, Coil	1	1	1	1	1	1	1	1	1	1	1	1	1	1	1	1	1	1	1	1	1	1	1	1	1	1	1	1	1	1	1	6J	
505	DZKN000070	Spring, Coil	1	1	1	1	1	1	1	1	1	1	1	1	1	1	1	1	1	1	1	1	1	1	1	1	1	1	1	1	1	1	1	6K	
506	THNDUF5DD	PSU, High Voltage	1	1	1	1	1	1	1	1	1	1	1	1	1	1	1	1	1	1	1	1	1	1	1	1	1	1	1	1	1	1	1	8J	
507	DZJA000136	Bracket, FCB	1	1	1	1	1	1	1	1	1	1	1	1	1	1	1	1	1	1	1	1	1	1	1	1	1	1	1	1	1	1	1	2G	
508	DZJA000137	Bracket, LCU	1	1	1	1	1	1	1	1	1	1	1	1	1	1	1	1	1	1	1	1	1	1	1	1	1	1	1	1	1	1	1	1C	
509	DZJL000023	Plate, Earth, Memory	1	1	1	1	1	1	1	1	1	1	1	1	1	1	1	1	1	1	1	1	1	1	1	1	1	1	1	1	1	1	1	1E	
510	DZYNA1541AAU	PC Board, FCB																				1												3D	
510	DZYNA1541BAB	PC Board, FCB	1	1		1		1				1	1	1			1			1		1	1				1	1			1	1		3D	
510	DZYNA1541BAD	PC Board, FCB			1		1																												3D
510	DZYNA1541BAR	PC Board, FCB							1										1																3D
510	DZYNA1541BEE	PC Board, FCB								1																									3D
510	DZYNA1541BAP	PC Board, FCB									1					1																			3D
510	DZYNA1541BAS	PC Board, FCB													1					1															3D
510	DZYNA1541AYC	PC Board, FCB																								1	1			1					3D
510	DZYNA1541AYV	PC Board, FCB																													1				3D
510	DZYNA1541AYA	PC Board, FCB																								1								1	3D
510	DZYNA1541EHX	PC Board, FCB																																	3D
511	DZJF000195	Guide, Memory Card	1	1	1	1	1	1	1	1	1	1	1	1	1	1	1	1	1	1	1	1	1	1	1	1	1	1	1	1	1	1	1	1D	
512	DZYNA1435C	PC Board, LCU																				1													1A
512	DZYNA1573B	PC Board, LCU		1																															1A
512	DZYNA1573D	PC Board, LCU			1																														1A
512	DZYNA1573E	PC Board, LCU				1																													1A
512	DZYNA1573F	PC Board, LCU					1																												1A
512	DZYNA1573G	PC Board, LCU						1																											1A
512	DZYNA1573H	PC Board, LCU							1																										1A
512	DZYNA1573Y	PC Board, LCU								1																									1A
512	DZYNA1573J	PC Board, LCU									1																								1A
512	DZYNA1573K	PC Board, LCU										1																							1A
512	DZYNA1573L	PC Board, LCU											1																						1A
512	DZYNA1573M	PC Board, LCU												1																					1A
512	DZYNA1573N	PC Board, LCU													1																				1A
512	DZYNA1573P	PC Board, LCU														1																			1A
512	DZYNA1573Q	PC Board, LCU															1																		1A
512	DZYNA1573R	PC Board, LCU																1																	1A
512	DZYNA1573S	PC Board, LCU																	1																1A
																					1														1A

Exploded View & Parts List

Electrical Parts (2/2)

Ref No	Part Number	Part Name	AA	AB	AD	AE	AF	AG	AH	EE	AJ	AK	AL	AM	AN	AP	AQ	AR	AS	AT	AU	AV	AW	YA	YB	YC	YJ	YM	YT	YV	YW	YX	YY	Location
512	DZYNA1573T	PC Board, LCU																		1														1A
512	DZYNA1573V	PC Board, LCU																				1												1A
512	DZYNA1573W	PC Board, LCU																					1											1A
512	DZYNA1435F	PC Board, LCU																						1	1	1				1			1	1A
512	DZYNA1573U	PC Board, LCU																													1			1A
512	DZYNA1573X	PC Board, LCU																														1		1A
512	DZYNA1573GG	PC Board, LCU																									1							1A
512	DZYNA1573MG	PC Board, LCU																										1						1A
512	DZYNA1573A	PC Board, LCU	1																															1A
513	ETXDN036A4C	PSU, Low Voltage(100V)				1																1											1	5E
513	ETXDN036E4C	PSU, Low Voltage(200V)	1	1	1		1	1	1	1	1	1	1	1	1	1	1	1	1	1	1		1	1	1	1	1	1	1	1	1	1	1	5E
514	DZYNA1556	ACI Assembly	1	1	1	1	1	1	1	1	1	1	1	1	1	1	1	1	1	1	1	1	1	1	1	1	1	1	1	1	1	1	1	1A
515	DZJH000020	Spacer, FCB PC Board	1	1	1	1	1	1	1	1	1	1	1	1	1	1	1	1	1	1	1	1	1	1	1	1	1	1	1	1	1	1	1	1F
516	DZJK000006	Clamp, Harness	1	1	1	1	1	1	1	1	1	1	1	1	1	1	1	1	1	1	1	1	1	1	1	1	1	1	1	1	1	1	1	1G, 3D
517	DZJK000009	Clamp, Harness	1	1	1	1	1	1	1	1	1	1	1	1	1	1	1	1	1	1	1	1	1	1	1	1	1	1	1	1	1	1	1	3C
518	DZJA000180	Bracket, PCI	1	1	1	1	1	1	1	1	1	1	1	1	1	1	1	1	1	1	1	1	1	1	1	1	1	1	1	1	1	1	1	7A
519	DZEC100305	PC Board, PCI	1	1	1	1	1	1	1	1	1	1	1	1	1	1	1	1	1	1	1	1	1	1	1	1	1	1	1	1	1	1	1	7C
520	DZFP000196	Harness, LCU PC Board	1	1	1	1	1	1	1	1	1	1	1	1	1	1	1	1	1	1	1	1	1	1	1	1	1	1	1	1	1	1	1	3A
522	DZFP000198	Harness, SNS PC Bored	1	1	1	1	1	1	1	1	1	1	1	1	1	1	1	1	1	1	1	1	1	1	1	1	1	1	1	1	1	1	1	1J
523	DZFP000195	Harness, PNL PC Board	1	1	1	1	1	1	1	1	1	1	1	1	1	1	1	1	1	1	1	1	1	1	1	1	1	1	1	1	1	1	1	2J
524	DZFP000201	Harness, LED	1	1	1	1	1	1	1	1	1	1	1	1	1	1	1	1	1	1	1	1	1	1	1	1	1	1	1	1	1	1	1	2J
526	DZFP000199	Harness, CCD PC Board	1	1	1	1	1	1	1	1	1	1	1	1	1	1	1	1	1	1	1	1	1	1	1	1	1	1	1	1	1	1	1	3K
527	DZFP000202	Harness, Speaker	1	1	1	1	1	1	1	1	1	1	1	1	1	1	1	1	1	1	1	1	1	1	1	1	1	1	1	1	1	1	1	3K
528	DZFP000353	Harness, LSURMOT	1	1	1	1	1	1	1	1	1	1	1	1	1	1	1	1	1	1	1	1	1	1	1	1	1	1	1	1	1	1	1	1H
531	DZFP000208	Harness, SNS, 2	1	1	1	1	1	1	1	1	1	1	1	1	1	1	1	1	1	1	1	1	1	1	1	1	1	1	1	1	1	1	1	2G, 4J
533	DZFP000210	Harness, HVPS	1	1	1	1	1	1	1	1	1	1	1	1	1	1	1	1	1	1	1	1	1	1	1	1	1	1	1	1	1	1	1	2H, 7H
535	DZFP000352	Harness, CST PC Board	1	1	1	1	1	1	1	1	1	1	1	1	1	1	1	1	1	1	1	1	1	1	1	1	1	1	1	1	1	1	1	3I, 4J, 5E
536	DZFP000207	Harness, SNS, 1	1	1	1	1	1	1	1	1	1	1	1	1	1	1	1	1	1	1	1	1	1	1	1	1	1	1	1	1	1	1	1	3I
539	DZFP000204	Harness, OPT, 1	1	1	1	1	1	1	1	1	1	1	1	1	1	1	1	1	1	1	1	1	1	1	1	1	1	1	1	1	1	1	1	4K
540	DZFP000211	Harness, Fuser Lamp	1	1	1	1	1	1	1	1	1	1	1	1	1	1	1	1	1	1	1	1	1	1	1	1	1	1	1	1	1	1	1	4D
541	DZFP000300	Wire, FGND, 1	1	1	1	1	1	1	1	1	1	1	1	1	1	1	1	1	1	1	1	1	1	1	1	1	1	1	1	1	1	1	1	3B
542	DZHA000061	Shield, Mylar	1	1	1	1	1	1	1	1	1	1	1	1	1	1	1	1	1	1	1	1	1	1	1	1	1	1	1	1	1	1	1	5A
19	XTB3+8J	Screw	1	1	1	1	1	1	1	1	1	1	1	1	1	1	1	1	1	1	1	1	1	1	1	1	1	1	1	1	1	1	1B, 2C, 3C, 3D, 4C, 5A, 6A, 6K, 8K	
35	XYN4+F6	Screw	1	1	1	1	1	1	1	1	1	1	1	1	1	1	1	1	1	1	1	1	1	1	1	1	1	1	1	1	1	1	4B	
C8	XTW3+8SFC	Screw	1	1	1	1	1	1	1	1	1	1	1	1	1	1	1	1	1	1	1	1	1	1	1	1	1	1	1	1	1	1	1A, 1C	

7.6 Paper Transportation (1/2)

Ref No	Part Number	Part Name	AA	AB	AD	AE	AF	AG	AH	EE	AJ	AK	AL	AM	AN	AP	AQ	AR	AS	AT	AU	AV	AW	YA	YB	YC	YJ	YM	YT	YV	YW	YX	YY	Location	
601	DZJB000013	Main Frame	1	1	1	1	1	1	1	1	1	1	1	1	1	1	1	1	1	1	1	1	1	1	1	1	1	1	1	1	1	1	1	3E	
602	DZJB000015	Base Frame	1	1	1	1	1	1	1	1	1	1	1	1	1	1	1	1	1	1	1	1	1	1	1	1	1	1	1	1	1	1	1	7E	
603	DZJA000141	Cassette Rail, Left	1	1	1	1	1	1	1	1	1	1	1	1	1	1	1	1	1	1	1	1	1	1	1	1	1	1	1	1	1	1	1	8D	
604	DZJB000041	Cassette Rail, Right	1	1	1	1	1	1	1	1	1	1	1	1	1	1	1	1	1	1	1	1	1	1	1	1	1	1	1	1	1	1	1	7H	
605	DZJD000002	Stay, Rear	1	1	1	1	1	1	1	1	1	1	1	1	1	1	1	1	1	1	1	1	1	1	1	1	1	1	1	1	1	1	1	4C	
606	DZJN000015	Rubber Leg	1	1	1	1	1	1	1	1	1	1	1	1	1	1	1	1	1	1	1	1	1	1	1	1	1	1	1	1	1	1	1	8D, 8H	
607	DZHP000155	Magnet, Catch	1	1	1	1	1	1	1	1	1	1	1	1	1	1	1	1	1	1	1	1	1	1	1	1	1	1	1	1	1	1	1	5AA	
608	DZGT000012	Solenoid, Paper Feed	1	1	1	1	1	1	1	1	1	1	1	1	1	1	1	1	1	1	1	1	1	1	1	1	1	1	1	1	1	1	1	4A	
609	DZKK000020	Actuator, No Paper	1	1	1	1	1	1	1	1	1	1	1	1	1	1	1	1	1	1	1	1	1	1	1	1	1	1	1	1	1	1	1	5E	
610	DZAL000053	Sensor, Paper (Exit, NPand Timing)	1	1	1	1	1	1	1	1	1	1	1	1	1	1	1	1	1	1	1	1	1	1	1	1	1	1	1	1	1	1	1	4D, 4F, 7H	
611	DZLA000081	Roller, Paper Feed	1	1	1	1	1	1	1	1	1	1	1	1	1	1	1	1	1	1	1	1	1	1	1	1	1	1	1	1	1	1	1	4E	
612	DZKG000030	Shaft, Feed Roller	1	1	1	1	1	1	1	1	1	1	1	1	1	1	1	1	1	1	1	1	1	1	1	1	1	1	1	1	1	1	1	5E	
613	DZLM000042	Bushing, P8L18, Front	1	1	1	1	1	1	1	1	1	1	1	1	1	1	1	1	1	1	1	1	1	1	1	1	1	1	1	1	1	1	1	5F	
614	DZLM000051	Bushing, P8L18, Rear	1	1	1	1	1	1	1	1	1	1	1	1	1	1	1	1	1	1	1	1	1	1	1	1	1	1	1	1	1	1	1	4D	
615	DZLF000131	Gear, E34	1	1	1	1	1	1	1	1	1	1	1	1	1	1	1	1	1	1	1	1	1	1	1	1	1	1	1	1	1	1	1	3D	
616	DZJF000162	Guide, Discharge, Plate	1	1	1	1	1	1	1	1	1	1	1	1	1	1	1	1	1	1	1	1	1	1	1	1	1	1	1	1	1	1	1	2I	
617	DZJL000022	Plate, Discharge	1	1	1	1	1	1	1	1	1	1	1	1	1	1	1	1	1	1	1	1	1	1	1	1	1	1	1	1	1	1	1	2H	
618	DZLA000082	Roller, Feed	1	1	1	1	1	1	1	1	1	1	1	1	1	1	1	1	1	1	1	1	1	1	1	1	1	1	1	1	1	1	1	1I	
619	DZLM000050	Busing, P6L8	1	1	1	1	1	1	1	1	1	1	1	1	1	1	1	1	1	1	1	1	1	1	1	1	1	1	1	1	1	1	1	1H, 2J	
620	DZLF000132	Gear, Drive, E34	1	1	1	1	1	1	1	1	1	1	1	1	1	1	1	1	1	1	1	1	1	1	1	1	1	1	1	1	1	1	1	1H	
621	DZYNA1555	PC Board, ILS	1	1	1	1	1	1	1	1	1	1	1	1	1	1	1	1	1	1	1	1	1	1	1	1	1	1	1	1	1	1	1	1G	
622	DZGG000008	Fan	1	1	1	1	1	1	1	1	1	1	1	1	1	1	1	1	1	1	1	1	1	1	1	1	1	1	1	1	1	1	1	1E	
623	DZKP000071	Spring, Earth, Plate	1	1	1	1	1	1	1	1	1	1	1	1	1	1	1	1	1	1	1	1	1	1	1	1	1	1	1	1	1	1	1	2F	
624	DZBF000001	Registor, 200M	1	1	1	1	1	1	1	1	1	1	1	1	1	1	1	1	1	1	1	1	1	1	1	1	1	1	1	1	1	1	1	1F	
626	DZJF000164	Guide, Transfer, Lower	1	1	1	1	1	1	1	1	1	1	1	1	1	1	1	1	1	1	1	1	1	1	1	1	1	1	1	1	1	1	1	1	7J
627	DZKK000021	Actuator, Timing	1	1	1	1	1	1	1	1	1	1	1	1	1	1	1	1	1	1	1	1	1	1	1	1	1	1	1	1	1	1	1	1	7I
629	DZKP000077	Guide, BTR	1	1	1	1	1	1	1	1	1	1	1	1	1	1	1	1	1	1	1	1	1	1	1	1	1	1	1	1	1	1	1	1	5J
630	DZLA000090	Roller, Bias Transfer(BTR)	1	1	1	1	1	1	1	1	1	1	1	1	1	1	1	1	1	1	1	1	1	1	1	1	1	1	1	1	1	1	1	1	6I
631	DZLM000043	Bushing, BTR, Front	1	1	1	1	1	1	1	1	1	1	1	1	1	1	1	1	1	1	1	1	1	1	1	1	1	1	1	1	1	1	1	1	6J
632	DZLF000130	Gear, BTR	1	1	1	1	1	1	1	1	1	1	1	1	1	1	1	1	1	1	1	1	1	1	1	1	1	1	1	1	1	1	1	1	7K
633	DZLM000044	Bushing, BTR, Rear	1	1	1	1	1	1	1	1	1	1	1	1	1	1	1	1	1	1	1	1	1	1	1	1	1	1	1	1	1	1	1	1	5H
634	DZKN000025	Spring, BTR	1	1	1	1	1	1	1	1	1	1	1	1	1	1	1	1	1	1	1	1	1	1	1	1	1	1	1	1	1	1	1	1	5H, 7J
635	DZJF000163	Guide, Transfer, Upper	1	1	1	1	1	1	1	1	1	1	1	1	1	1	1	1	1	1	1	1	1	1	1	1	1	1	1	1	1	1	1	1	5J
636	DZLA000080	Roller, Pinch	1	1	1	1	1	1	1	1	1	1	1	1	1	1	1	1	1	1	1	1	1	1	1	1	1	1	1	1	1	1	1	1	6K
637	DZKR000003	Spring, Wire, Pinch Roller	1	1	1	1	1	1	1	1	1	1	1	1	1	1	1	1	1	1	1	1	1	1	1	1	1	1	1	1	1	1	1	1	5K
638	DZKP000083	Spring, Plate, Toner Sensor	1	1	1	1	1	1	1	1	1	1	1	1	1	1	1	1	1	1	1	1	1	1	1	1	1	1	1	1	1	1	1	1	4K
639	DZAN000002	Sensor, Toner	1	1	1	1	1	1	1	1	1	1	1	1	1	1	1	1	1	1	1	1	1	1	1	1	1	1	1	1	1	1	1	1	3J
640	DZJB000042	Cover, Toner Sensor	1	1	1	1	1	1	1	1	1	1	1	1	1	1	1	1	1	1	1	1	1	1	1	1	1	1	1	1	1	1	1	1	3K

Exploded View & Parts List

Paper Transportation (2/2)

Ref No	Part Number	Part Name	AA	AB	AD	AE	AF	AG	AH	EE	AJ	AK	AL	AM	AN	AP	AQ	AR	AS	AT	AU	AV	AW	YA	YB	YC	YJ	YM	YT	YV	YW	YX	YY	Location	
641	DZJA000135	Bracket, Motor	1	1	1	1	1	1	1	1	1	1	1	1	1	1	1	1	1	1	1	1	1	1	1	1	1	1	1	1	1	1	1	1	3A
642	DZLF000146	Gear, F36B98	1	1	1	1	1	1	1	1	1	1	1	1	1	1	1	1	1	1	1	1	1	1	1	1	1	1	1	1	1	1	1	1	3B
643	DZLF000107	Gear, D25B98	1	1	1	1	1	1	1	1	1	1	1	1	1	1	1	1	1	1	1	1	1	1	1	1	1	1	1	1	1	1	1	1	3D
644	DZLF000111	Gear, E32D53	1	1	1	1	1	1	1	1	1	1	1	1	1	1	1	1	1	1	1	1	1	1	1	1	1	1	1	1	1	1	1	1	3C
645	DZLF000031	Gear, E29	1	1	1	1	1	1	1	1	1	1	1	1	1	1	1	1	1	1	1	1	1	1	1	1	1	1	1	1	1	1	1	1	3C
646	DZLF000113	Gear, E18E27	1	1	1	1	1	1	1	1	1	1	1	1	1	1	1	1	1	1	1	1	1	1	1	1	1	1	1	1	1	1	1	1	3A
647	DZLF000108	Gear, E20D70	1	1	1	1	1	1	1	1	1	1	1	1	1	1	1	1	1	1	1	1	1	1	1	1	1	1	1	1	1	1	1	1	2C
648	DZLF000110	Gear, E21D70	1	1	1	1	1	1	1	1	1	1	1	1	1	1	1	1	1	1	1	1	1	1	1	1	1	1	1	1	1	1	1	1	2D
649	DZKP000080	Spring, Transfer Earth	1	1	1	1	1	1	1	1	1	1	1	1	1	1	1	1	1	1	1	1	1	1	1	1	1	1	1	1	1	1	1	1	1C
650	55SPM25D7NA1	Printer Motor	1	1	1	1	1	1	1	1	1	1	1	1	1	1	1	1	1	1	1	1	1	1	1	1	1	1	1	1	1	1	1	1	2A
651	DZKP000090	Spring, Plate	1	1	1	1	1	1	1	1	1	1	1	1	1	1	1	1	1	1	1	1	1	1	1	1	1	1	1	1	1	1	1	1	3C
652	DZPK000001	Washer	1	1	1	1	1	1	1	1	1	1	1	1	1	1	1	1	1	1	1	1	1	1	1	1	1	1	1	1	1	1	1	1	2C
653	DZFP000215	Harness, GND	1	1	1	1	1	1	1	1	1	1	1	1	1	1	1	1	1	1	1	1	1	1	1	1	1	1	1	1	1	1	1	1	6K
*654	DZNK000036	Label, High Temperature	1	1	1	1	1	1	1	1	1	1	1	1	1	1	1	1	1	1	1	1	1	1	1	1	1	1	1	1	1	1	1	1	-
655	DZJC000117	Stopper	1	1	1	1	1	1	1	1	1	1	1	1	1	1	1	1	1	1	1	1	1	1	1	1	1	1	1	1	1	1	1	1	3H
656	DZKN000073	Spring, Coil, Clutch	1	1	1	1	1	1	1	1	1	1	1	1	1	1	1	1	1	1	1	1	1	1	1	1	1	1	1	1	1	1	1	1	3D
657	DZJB000024	Case, Clutch	1	1	1	1	1	1	1	1	1	1	1	1	1	1	1	1	1	1	1	1	1	1	1	1	1	1	1	1	1	1	1	1	3E
658	DZJM000086	Drum, Clutch	1	1	1	1	1	1	1	1	1	1	1	1	1	1	1	1	1	1	1	1	1	1	1	1	1	1	1	1	1	1	1	1	3E
659	DZJC000119	Stay, Front	1	1	1	1	1	1	1	1	1	1	1	1	1	1	1	1	1	1	1	1	1	1	1	1	1	1	1	1	1	1	1	1	5G
660	DZHP000148	Clutch, Gear, Assembly	1	1	1	1	1	1	1	1	1	1	1	1	1	1	1	1	1	1	1	1	1	1	1	1	1	1	1	1	1	1	1	1	4C
661	DZJK000002	Clamp, Harness	1	1	1	1	1	1	1	1	1	1	1	1	1	1	1	1	1	1	1	1	1	1	1	1	1	1	1	1	1	1	1	1	6A
662	DZNK000481	Label, Laser, A	1	1					1	1	1	1					1	1	1							1									-
662	DZNK000482	Label, Laser, B			1		1								1																				-
19	XTB3+8J	Screw																																1B, 1C, 1H, 2A, 2B, 2C, 2E, 2F, 2H, 2J, 2K, 3C, 3E, 3H, 4A, 4D, 4G, 4J, 4K, 5C, 5F, 5I, 5J, 6B, 6H, 6I, 7A, 7E, 8B, 8G	
23	XTN3+F8	Screw	1	1	1	1	1	1	1	1	1	1	1	1	1	1	1	1	1	1	1	1	1	1	1	1	1	1	1	1	1	1	1	1	4E
1Y	XTB3+10J	Screw	1	1	1	1	1	1	1	1	1	1	1	1	1	1	1	1	1	1	1	1	1	1	1	1	1	1	1	1	1	1	1	1	1D
5Z	XUC6	E-Ring	1	1	1	1	1	1	1	1	1	1	1	1	1	1	1	1	1	1	1	1	1	1	1	1	1	1	1	1	1	1	1	1	4C, 4D, 5F

NOTE: When Thermostat (Ref. No. 432) and / or Thermal Fuse (Ref. No. 433) was defective by Fyser over heat condition. * mark part also may deformed.

Please replace * mark part (Refer to page 7-8, 7-14) when you replace these part at the same time or replace entire Fuser Unit (Ref. No. 431)

7.7 2nd Feeder Unit (1/2)

Ref No	Part Number	Part Name	AA	AB	AD	AE	AF	AG	AH	EE	AJ	AK	AL	AM	AN	AP	AQ	AR	AS	AT	AU	AV	AW	YA	YB	YC	YJ	YM	YT	YV	YW	YX	YY	Location
701	DZJA000184	Cassette Rail, Right2	1	1	1	1	1	1	1	1	1	1	1	1	1	1	1	1	1	1	1	1	1	1	1	1	1	1	1	1	1	1	1	4J
702	DZJC000092	Stay, Rear2	1	1	1	1	1	1	1	1	1	1	1	1	1	1	1	1	1	1	1	1	1	1	1	1	1	1	1	1	1	1	1	8A
703	DZJE000120	Cover, Blind	1	1	1	1	1	1	1	1	1	1	1	1	1	1	1	1	1	1	1	1	1	1	1	1	1	1	1	1	1	1	1	5H
704	DZJA000175	Bracket, Bushing, Front	1	1	1	1	1	1	1	1	1	1	1	1	1	1	1	1	1	1	1	1	1	1	1	1	1	1	1	1	1	1	1	3G
705	DZJA000174	Bracket, Bushing, Rear	1	1	1	1	1	1	1	1	1	1	1	1	1	1	1	1	1	1	1	1	1	1	1	1	1	1	1	1	1	1	1	3C
706	DZLA000087	Roller, Intermediate	1	1	1	1	1	1	1	1	1	1	1	1	1	1	1	1	1	1	1	1	1	1	1	1	1	1	1	1	1	1	1	2F
707	DZLM000052	Bushing, Conductor, P6L5	1	1	1	1	1	1	1	1	1	1	1	1	1	1	1	1	1	1	1	1	1	1	1	1	1	1	1	1	1	1	1	1K
708	DZLM000006	Bushing, P6L5	1	1	1	1	1	1	1	1	1	1	1	1	1	1	1	1	1	1	1	1	1	1	1	1	1	1	1	1	1	1	1	1C
709	DZLF000145	Gear, Drive, B28	1	1	1	1	1	1	1	1	1	1	1	1	1	1	1	1	1	1	1	1	1	1	1	1	1	1	1	1	1	1	1	1C
710	DZJD000004	Latch, Right	1	1	1	1	1	1	1	1	1	1	1	1	1	1	1	1	1	1	1	1	1	1	1	1	1	1	1	1	1	1	1	1D, 2H
711	DZJE000073	Cover, Sensor	1	1	1	1	1	1	1	1	1	1	1	1	1	1	1	1	1	1	1	1	1	1	1	1	1	1	1	1	1	1	1	2F
712	DZLF000144	Gear, E34, B60	1	1	1	1	1	1	1	1	1	1	1	1	1	1	1	1	1	1	1	1	1	1	1	1	1	1	1	1	1	1	1	2C
713	DZLF000142	Gear, E17, D32	1	1	1	1	1	1	1	1	1	1	1	1	1	1	1	1	1	1	1	1	1	1	1	1	1	1	1	1	1	1	1	3B
714	DZLF000141	Gear, D26, C41	1	1	1	1	1	1	1	1	1	1	1	1	1	1	1	1	1	1	1	1	1	1	1	1	1	1	1	1	1	1	1	3B
715	DZLF000143	Gear, C21, F34	1	1	1	1	1	1	1	1	1	1	1	1	1	1	1	1	1	1	1	1	1	1	1	1	1	1	1	1	1	1	1	3A
716	DZJE000095	Cover, CST PC Board	1	1	1	1	1	1	1	1	1	1	1	1	1	1	1	1	1	1	1	1	1	1	1	1	1	1	1	1	1	1	1	1C
717	DZJE000094	Cover, Roller	1	1	1	1	1	1	1	1	1	1	1	1	1	1	1	1	1	1	1	1	1	1	1	1	1	1	1	1	1	1	1	1G
718	DZJD000005	Bracket, Front	1	1	1	1	1	1	1	1	1	1	1	1	1	1	1	1	1	1	1	1	1	1	1	1	1	1	1	1	1	1	1	6F
719	DZJD000006	Bracket, Rear	1	1	1	1	1	1	1	1	1	1	1	1	1	1	1	1	1	1	1	1	1	1	1	1	1	1	1	1	1	1	1	4C
720	DZMA000204	Cover, Cassette, Left	1	1	1	1	1	1	1	1	1	1	1	1	1	1	1	1	1	1	1	1	1	1	1	1	1	1	1	1	1	1	1	8G
721	DZMA000206	Cover, Cassette, Rear	1	1	1	1	1	1	1	1	1	1	1	1	1	1	1	1	1	1	1	1	1	1	1	1	1	1	1	1	1	1	1	4B
722	DZJE000092	Cover, Jam Access	1	1	1	1	1	1	1	1	1	1	1	1	1	1	1	1	1	1	1	1	1	1	1	1	1	1	1	1	1	1	1	2K
723	DZJA000187	Bracket, Magnet	1	1	1	1	1	1	1	1	1	1	1	1	1	1	1	1	1	1	1	1	1	1	1	1	1	1	1	1	1	1	1	2I, 3K
724	DZGD000001	Magnet	1	1	1	1	1	1	1	1	1	1	1	1	1	1	1	1	1	1	1	1	1	1	1	1	1	1	1	1	1	1	1	2I, 3K
725	DZKP000084	Spring, Pinch Roller	1	1	1	1	1	1	1	1	1	1	1	1	1	1	1	1	1	1	1	1	1	1	1	1	1	1	1	1	1	1	1	2J
726	DZJF000218	Guide, Paper	1	1	1	1	1	1	1	1	1	1	1	1	1	1	1	1	1	1	1	1	1	1	1	1	1	1	1	1	1	1	1	3I
727	DZFP000219	Harness, SNS	1	1	1	1	1	1	1	1	1	1	1	1	1	1	1	1	1	1	1	1	1	1	1	1	1	1	1	1	1	1	1	4E, 6A
728	DZYNA1557	PC Board, CST2	1	1	1	1	1	1	1	1	1	1	1	1	1	1	1	1	1	1	1	1	1	1	1	1	1	1	1	1	1	1	1	6B
729	DZFP000217	Harness, CST2	1	1	1	1	1	1	1	1	1	1	1	1	1	1	1	1	1	1	1	1	1	1	1	1	1	1	1	1	1	1	1	6B
730	DZHP000155	Magnet, Catch	1	1	1	1	1	1	1	1	1	1	1	1	1	1	1	1	1	1	1	1	1	1	1	1	1	1	1	1	1	1	1	5B
731	DZAL000053	Sensor, No Paper	1	1	1	1	1	1	1	1	1	1	1	1	1	1	1	1	1	1	1	1	1	1	1	1	1	1	1	1	1	1	1	2E, 3E
733	DZJB000015	Base Frame	1	1	1	1	1	1	1	1	1	1	1	1	1	1	1	1	1	1	1	1	1	1	1	1	1	1	1	1	1	1	1	6D
734	DZJA000141	Cassette Rail, Left	1	1	1	1	1	1	1	1	1	1	1	1	1	1	1	1	1	1	1	1	1	1	1	1	1	1	1	1	1	1	1	7F
735	DZJN000015	Rubber Leg	1	1	1	1	1	1	1	1	1	1	1	1	1	1	1	1	1	1	1	1	1	1	1	1	1	1	1	1	1	1	1	5J, 8G
736	DZKK000020	Actuator, No Paper	1	1	1	1	1	1	1	1	1	1	1	1	1	1	1	1	1	1	1	1	1	1	1	1	1	1	1	1	1	1	1	4F
737	DZLA000080	Roller, Pinch	1	1	1	1	1	1	1	1	1	1	1	1	1	1	1	1	1	1	1	1	1	1	1	1	1	1	1	1	1	1	1	3J
738	DZLM000042	Bushing, P8L18, Front	1	1	1	1	1	1	1	1	1	1	1	1	1	1	1	1	1	1	1	1	1	1	1	1	1	1	1	1	1	1	1	3E
739	DZLM000051	Bushing, P8L18, Rear	1	1	1	1	1	1	1	1	1	1	1	1	1	1	1	1	1	1	1	1	1	1	1	1	1	1	1	1	1	1	1	3G

Exploded View & Parts List

2nd Feeder Unit (2/2)

Ref No	Part Number	Part Name	AA	AB	AD	AE	AF	AG	AH	EE	AJ	AK	AL	AM	AN	AP	AQ	AR	AS	AT	AU	AV	AW	YA	YB	YC	YJ	YM	YT	YV	YW	YX	YY	Location		
740	DZLF000131	Gear, E34	1	1	1	1	1	1	1	1	1	1	1	1	1	1	1	1	1	1	1	1	1	1	1	1	1	1	1	1	1	1	1	1	3D	
741	DZJB000024	Case, Clutch	1	1	1	1	1	1	1	1	1	1	1	1	1	1	1	1	1	1	1	1	1	1	1	1	1	1	1	1	1	1	1	1	1	3D
742	DZJM000086	Drum, Clutch	1	1	1	1	1	1	1	1	1	1	1	1	1	1	1	1	1	1	1	1	1	1	1	1	1	1	1	1	1	1	1	1	1	3E
743	DZKN000073	Spring, Coil, Clutch	1	1	1	1	1	1	1	1	1	1	1	1	1	1	1	1	1	1	1	1	1	1	1	1	1	1	1	1	1	1	1	1	1	3
744	DZGT000012	Solenoid, Paper Feed	1	1	1	1	1	1	1	1	1	1	1	1	1	1	1	1	1	1	1	1	1	1	1	1	1	1	1	1	1	1	1	1	1	5C
745	DZKG000030	Shaft, Feed Roller	1	1	1	1	1	1	1	1	1	1	1	1	1	1	1	1	1	1	1	1	1	1	1	1	1	1	1	1	1	1	1	1	1	3G
746	DZLA000081	Roller, Paper Feed	1	1	1	1	1	1	1	1	1	1	1	1	1	1	1	1	1	1	1	1	1	1	1	1	1	1	1	1	1	1	1	1	1	3F
19	XTB3+8J	Screw	1	1	1	1	1	1	1	1	1	1	1	1	1	1	1	1	1	1	1	1	1	1	1	1	1	1	1	1	1	1	1	1	1A, 1C, 1D, 1E, 1G, 2D, 2E, 2F, 2G, 2H, 3G, 3J, 4C, 5B, 5G, 5J, 6A, 6F, 6G, 7D, 8A, 8B	
23	XYN3+F8	Screw	1	1	1	1	1	1	1	1	1	1	1	1	1	1	1	1	1	1	1	1	1	1	1	1	1	1	1	1	1	1	1	1	1	2F
5Y	XUC4	Ring, E-type	1	1	1	1	1	1	1	1	1	1	1	1	1	1	1	1	1	1	1	1	1	1	1	1	1	1	1	1	1	1	1	1	1	1K, 2B, 2D, 3A
5Z	XUC6	Ring, E-type	1	1	1	1	1	1	1	1	1	1	1	1	1	1	1	1	1	1	1	1	1	1	1	1	1	1	1	1	1	1	1	1	1	2E, 4G
B1	DZPB000007	Screw	1	1	1	1	1	1	1	1	1	1	1	1	1	1	1	1	1	1	1	1	1	1	1	1	1	1	1	1	1	1	1	1	1	4A, 8E
6L	DZPB000014	Screw	1	1	1	1	1	1	1	1	1	1	1	1	1	1	1	1	1	1	1	1	1	1	1	1	1	1	1	1	1	1	1	1	1	5A
C8	XTW3+8SFC	Screw	1	1	1	1	1	1	1	1	1	1	1	1	1	1	1	1	1	1	1	1	1	1	1	1	1	1	1	1	1	1	1	1	1	2I, 4J

7.8 Paper Cassette

Ref No	Part Number	Part Name	AA	AB	AD	AE	AF	AG	AH	EE	AJ	AK	AL	AM	AN	AP	AQ	AR	AS	AT	AU	AV	AW	YA	YB	YC	YJ	YM	YT	YV	YW	YX	YY	Location		
801	DZJF000194	Base Frame, Cassette	1	1	1	1	1	1	1	1	1	1	1	1	1	1	1	1	1	1	1	1	1	1	1	1	1	1	1	1	1	1	1	1	7F	
802	DZJF000159	Guide, Paper Width	1	1	1	1	1	1	1	1	1	1	1	1	1	1	1	1	1	1	1	1	1	1	1	1	1	1	1	1	1	1	1	1	1	5I
803	DZJF000160	Guide, Paper Length	1	1	1	1	1	1	1	1	1	1	1	1	1	1	1	1	1	1	1	1	1	1	1	1	1	1	1	1	1	1	1	1	1	4B
804	DZJM000091	Lock, Pressure Plate	1	1	1	1	1	1	1	1	1	1	1	1	1	1	1	1	1	1	1	1	1	1	1	1	1	1	1	1	1	1	1	1	1	3F
805	DZJC000079	Clip, Paper, Right	1	1	1	1	1	1	1	1	1	1	1	1	1	1	1	1	1	1	1	1	1	1	1	1	1	1	1	1	1	1	1	1	1	3D
806	DZJC000080	Clip, Paper, Left	1	1	1	1	1	1	1	1	1	1	1	1	1	1	1	1	1	1	1	1	1	1	1	1	1	1	1	1	1	1	1	1	1	4H
807	DZJD000003	Plate, Lock	1	1	1	1	1	1	1	1	1	1	1	1	1	1	1	1	1	1	1	1	1	1	1	1	1	1	1	1	1	1	1	1	1	4D
808	DZKM000008	Plate, Pressure	1	1	1	1	1	1	1	1	1	1	1	1	1	1	1	1	1	1	1	1	1	1	1	1	1	1	1	1	1	1	1	1	1	2G
809	DZKN000071	Spring	1	1	1	1	1	1	1	1	1	1	1	1	1	1	1	1	1	1	1	1	1	1	1	1	1	1	1	1	1	1	1	1	1	3E, 4G
810	DZJP000005	Pad, Pressure Plate	1	1	1	1	1	1	1	1	1	1	1	1	1	1	1	1	1	1	1	1	1	1	1	1	1	1	1	1	1	1	1	1	1	1G
811	DZNK000298	Label, Size	1	1	1	1	1	1	1	1	1	1	1	1	1	1	1	1	1	1	1	1	1	1	1	1	1	1	1	1	1	1	1	1	1	8F
812	DZKN000084	Spring, lock	1	1	1	1	1	1	1	1	1	1	1	1	1	1	1	1	1	1	1	1	1	1	1	1	1	1	1	1	1	1	1	1	1	3F
813	DZNK000299	Instruction Label1	1	1	1	1	1	1	1	1	1	1	1	1	1	1	1	1	1	1	1	1	1	1	1	1	1	1	1	1	1	1	1	1	1	7B
814	DZNK000300	Instruction Label2	1	1	1	1	1	1	1	1	1	1	1	1	1	1	1	1	1	1	1	1	1	1	1	1	1	1	1	1	1	1	1	1	1	3I
815	DZHP000232	Cassette, Paper	1	1	1	1	1	1	1	1	1	1	1	1	1	1	1	1	1	1	1	1	1	1	1	1	1	1	1	1	1	1	1	1	1	

7.9 Packing and Accessories (1/2)

Ref No	Part Number	Part Name	AA	AB	AD	AE	AF	AG	AH	EE	AJ	AK	AL	AM	AN	AP	AQ	AR	AS	AT	AU	AV	AW	YA	YB	YC	YJ	YM	YT	YV	YW	YX	YY	Location
901	DZRB000083	Carton Box	1	1	1	1	1	1	1	1	1	1	1	1	1	1	1	1	1	1	1	1	1	1	1	1	1	1	1	1	1	1	1	6E
901	DZRB000106	Carton Box(China)																																6E
902	DZRH000092	Cushion Assembly	1	1	1	1	1	1	1	1	1	1	1	1	1	1	1	1	1	1	1	1	1	1	1	1	1	1	1	1	1	1	1	2E, 4B, 4E, 5C
905	DZSD000190	User's Guide(English)																			1													6B
905	DZSD000195	User's Guide (French)																																6B
905	DZSD000193	User's Guide (U.K.)		1																														6B
905	DZSD000194	User's Guide (GENERAL)										1	1				1			1			1		1	1	1	1	1		1	1	1	6B
905	DZSD000196	User's Guide (GERMAN)	1				1						1																					6B
905	DZSD000197	User's Guide (NETHERLANDS)							1									1																6B
905	DZSD000198	User's Guide (ITALY)								1																								6B
905	DZSD000199	User's Guide (BELGIUM)											1					1																6B
905	DZSD000200	User's Guide (SWEDEN)																		1														6B
905	DZSD000231	User's Guide (SPAIN)									1													1										6B
905	DZSD000232	User's Guide (PORTUGAL)														1																		6B
905	DZSD000233	User's Guide (NORWAY)												1																				6B
905	DZSD000234	User's Guide (DENMARK)			1																													6B
905	DZSD000235	User's Guide (FRANCE)																					1											6B
905	DZSD000236	User's Guide (TAIWAN)				1																												6B
905	DZSD000237	User's Guide (CHINA)																																6B
905	DZSD000258	User's Guide (FINLAND)					1																										1	6B
906	DZMC000101	Document Tray	1	1	1	1	1	1	1	1	1	1	1	1	1	1	1	1	1	1	1	1	1	1	1	1	1	1	1	1	1	1	1	6B
907	DZFN000044	Line Cord																				1												4A
907	DZFN000009	Modular Cord																																4A
907	DZFN000064	Line Cord	1			1					1										1			1	1	1	1	1	1	1	1	1	1	4A
907	DZFN000042	Line Cord		1								1																						4A
907	DZFN000031	Line Cord			1																													4A
907	DZFN000026	Line Cord					1																											4A
907	DZFN000023	Line Cord						1																										4A
907	DZFN000030	Line Cord							1																									4A
907	DZFN000015	Line Cord								1																								4A
907	DZFN000017	Line Cord											1																					4A
907	DZFN000037	Line Cord												1																				4A
907	DZFN000028	Line Cord													1																			4A
907	DZFN000016	Line Cord														1																		4A
907	DZFN000045	Line Cord															1																	4A
907	DZFN000019	Line Cord																1																4A
907	DZFN000024	Line Cord																	1															4A
907	DZFN000039	Line Cord																																4A

Packing and Accessories (2/2)

Ref No	Part Number	Part Name	AA	AB	AD	AE	AF	AG	AH	EE	AJ	AK	AL	AM	AN	AP	AQ	AR	AS	AT	AU	AV	AW	YA	YB	YC	YJ	YM	YT	YV	YW	YX	YY	Location		
907	DZFN000043	Line Cord																					1												4A	
908	DZFM000027	Power Cord																				1													4A	
908	DZFM000018	Power Cord																																	4A	
908	DZFM000028	Power Cord	1		1		1	1	1		1				1	1				1	1		1		1	1	1	1		1	1	1		4A		
908	DZFM000029	Power Cord		1								1					1											1					1		4A	
908	DZFM000027	Power Cord				1																											1		4A	
908	DZFM000030	Power Cord								1																								1		4A
908	DZFM000031	Power Cord											1											1											4A	
908	DZFM000032	Power Cord												1																					4A	
909	DZRD000008	Box, Accessories	1	1	1	1	1	1	1	1	1	1	1	1	1	1	1	1	1	1	1	1	1	1	1	1	1	1	1	1	1	1	1	1	7B	
910	DZFB000001	PTT Plug, Belgium																	1																-	
910	DZFB000002	PTT Plug, Australia										1																							-	
910	DZFB000003	PTT Plug, Finland				1																													-	
910	DZFB000004	PTT Plug, Sweden																		1															-	
910	DZFB000005	PTT Plug, Norway												1																					-	
913	DZQE000003	Rorsette																						1		1	1			1				-		
913	DZQE000005	Rorsette														1																			-	

Exploded View & Parts List

Notes