

# PagePro™ 1300W SERIES

## PARTS MANUAL



KONICA MINOLTA



1750080-001A

## PREFACE

1. The part numbers listed in this Parts Catalog are those which were assigned to the parts at the time the printer was first introduced into the market.
2. Parts whose INDEX numbers are shown in the illustrations as white against a black background are used in only certain market areas. These part numbers are given in the lower-half of the list section. Check the SFIX No. listed in the SFIX CHART on page II to find out which part number is applicable to your area.
3. Parts whose INDEX numbers are shown in the illustrations as black against a white background are used in all market areas. These parts are listed on the upper-half of the list section.
4. If "NS" follows a part number in the list section, that part is not required for ordinary service jobs and is, therefore, not kept in stock.
5. If "RP" is shown in the REC column of the list section, that part is functionally important.
6. In the exploded views in this Parts Catalog, the screws and washers which are identified by four-digit numbers are listed in numerical order in Section 6, "SCREWS AND WASHERS." Check these four-digit numbers against the ten-digit part numbers that should be used for ordering parts.
7. **All part numbers listed in this manual consist of ten digits. However, when ordering a part, you must add the special KONICA MINOLTA PRINTING SOLUTIONS "831" prefix to the beginning of the part number. The price of each part can be obtained by referring to the "Parts Price List," which is issued separately.**
8. All information contained in this Parts Catalog is subject to change.

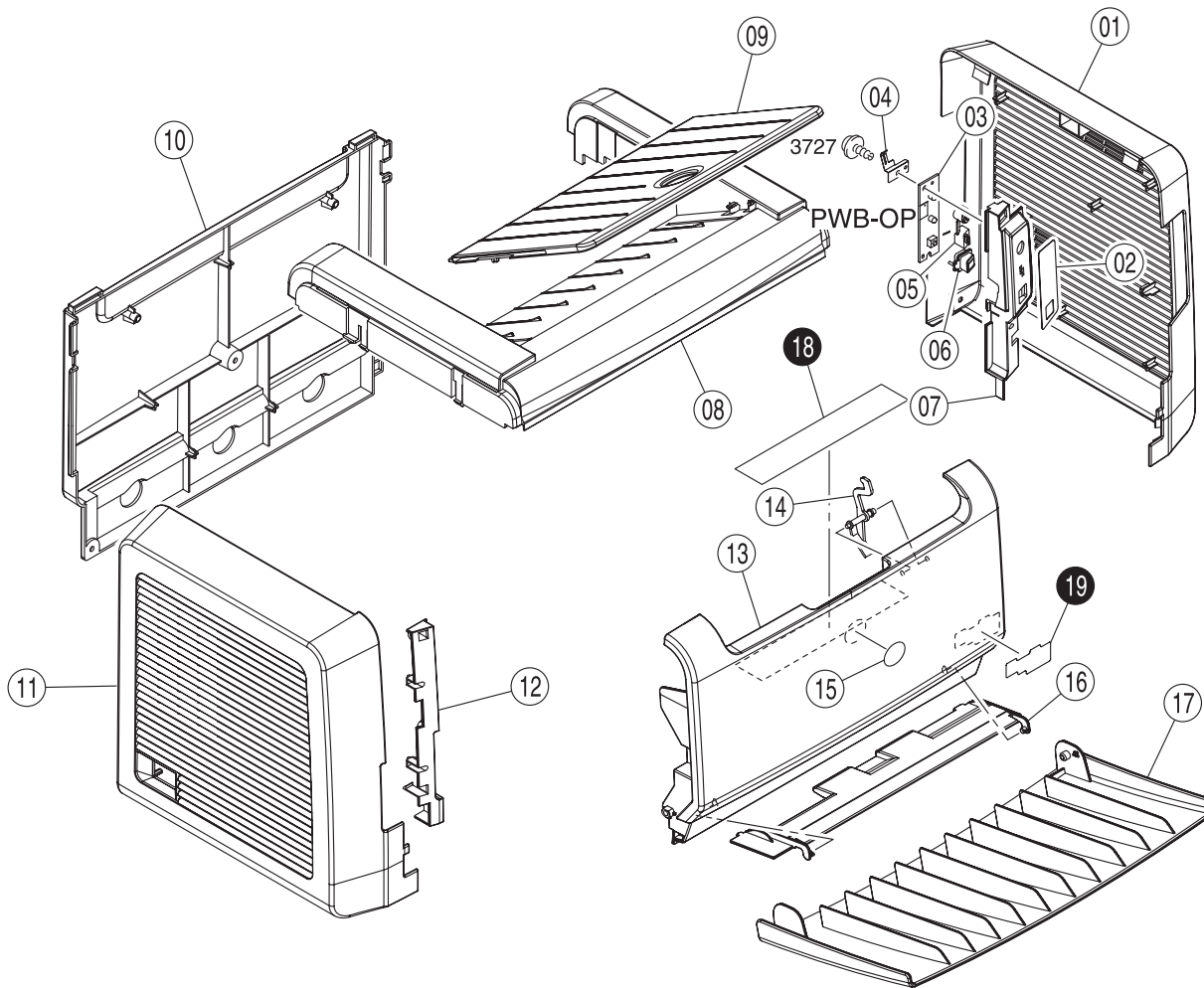
## SFIX CHART

SFIX No.	COUNTRY	VOLTAGE	FREQUENCY (Hz)	PAPER SIZE	SFIX No.	COUNTRY	VOLTAGE	FREQUENCY (Hz)	PAPER SIZE
011	JAPAN	100V	PagePro 1300W	METRIC	218	CHINA	230V	PagePro 1300W	METRIC
211	EUROPE	230V	PagePro 1300W	METRIC	312	USA/CANADA	120V	PagePro 1350W	INCH

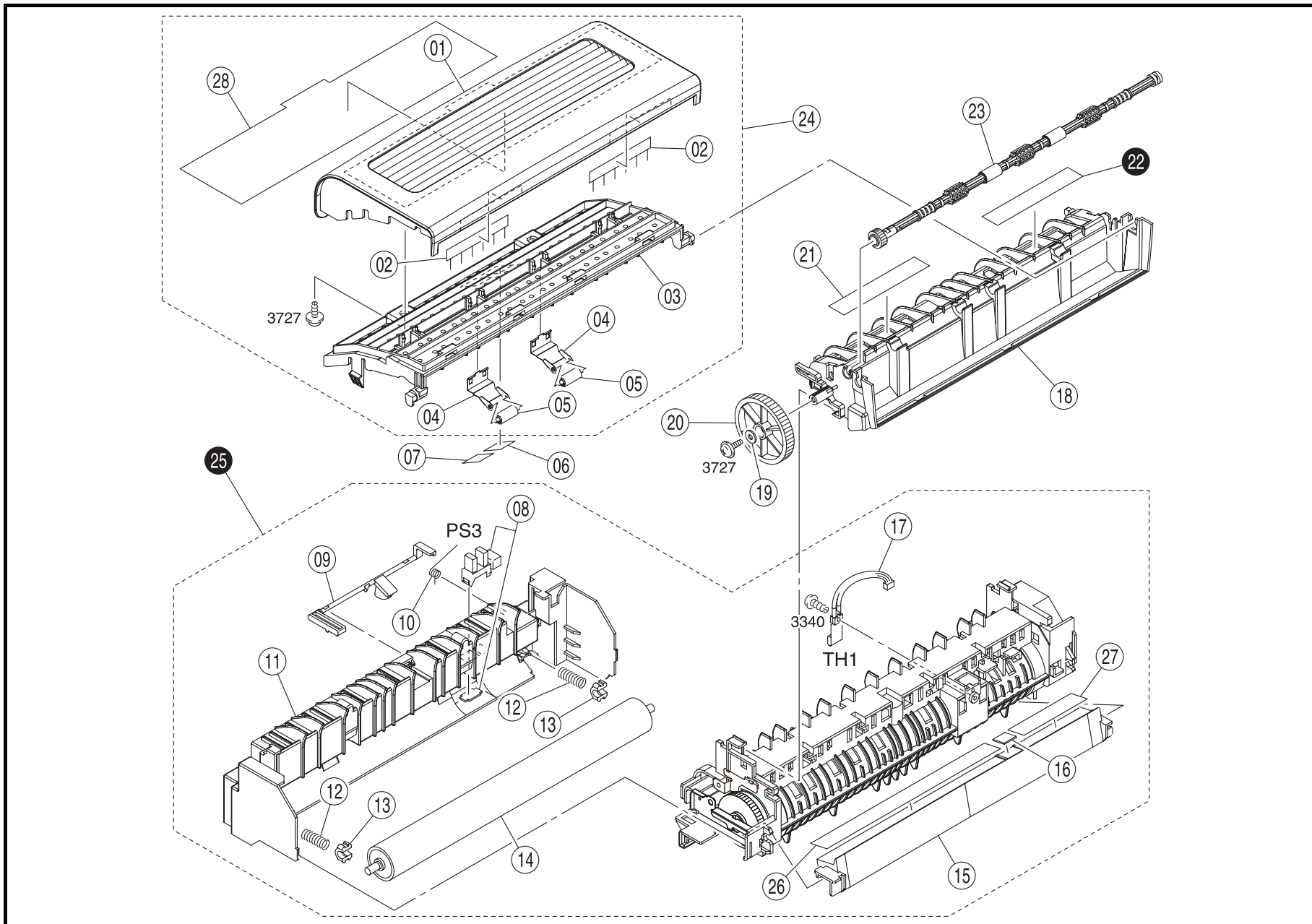
## CONTENTS

1.	HOUSING .....	1
2.	FUSING/PAPER EXIT UNIT .....	3
3.	TRANSPORT/PAPER TAKE-UP SECTION .....	5
4.	DRIVE SECTION .....	7
5.	ELECTRICAL COMPONENTS .....	9
6.	SCREWS AND WASHERS .....	11
7.	NUMERICAL INDEX .....	12

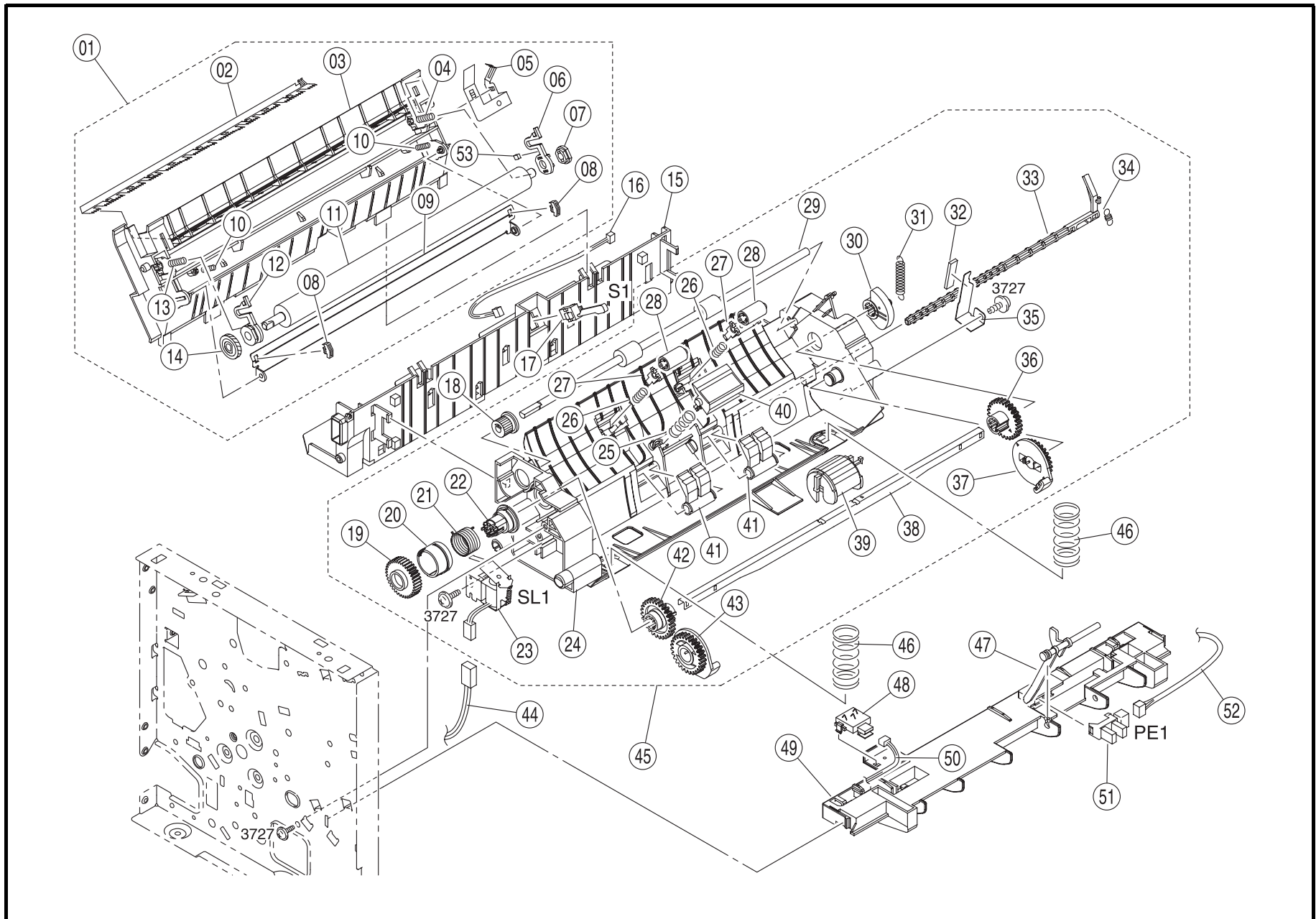
OCTOBER 2003



INDEX	PART NO.	PART NAME	REC	QTY	INDEX	PART NO.	PART NAME	REC	QTY
01	4136-1012-03	COVER		1					
02	4136-1025-02	PANEL SHEET		1					
03	4136-6004-01	PWB ASSY	(PWB-OP) RP	1					
04	4136-2306-01	NS EARTH GROUND		1					
05	4136-1023-01	LENS		1					
06	4136-1018-02	BUTTON		1					
07	4136-1024-03	CONTROL PANEL		1					
08	4136-1001-03	TOP COVER		1					
09	4136-1007-03	TRAY		1					
10	4136-1022-02	COVER		1					
11	4136-1030-03	COVER		1					
12	4136-1034-01	COVER		1					
13	4136-1033-01	COVER		1					
14	4136-1021-01	LEVER		1					
15	4136-7500-01	LABEL		1					
16	4136-1020-03	COVER		1					
17	4136-1028-05	TRAY		1					
INDEX	PART NO.	PART NAME	REC	QTY	SFIX				
18	4136-7341-01	NS LABEL		1	011				
18	4136-7342-01	NS LABEL		1	218				
18	4136-7343-01	NS LABEL		1	211				
18	4136-7344-01	NS LABEL		1	312				
19	4136-7361-01	LABEL		1	011, 211, 218				
19	4136-7362-01	LABEL		1	312				



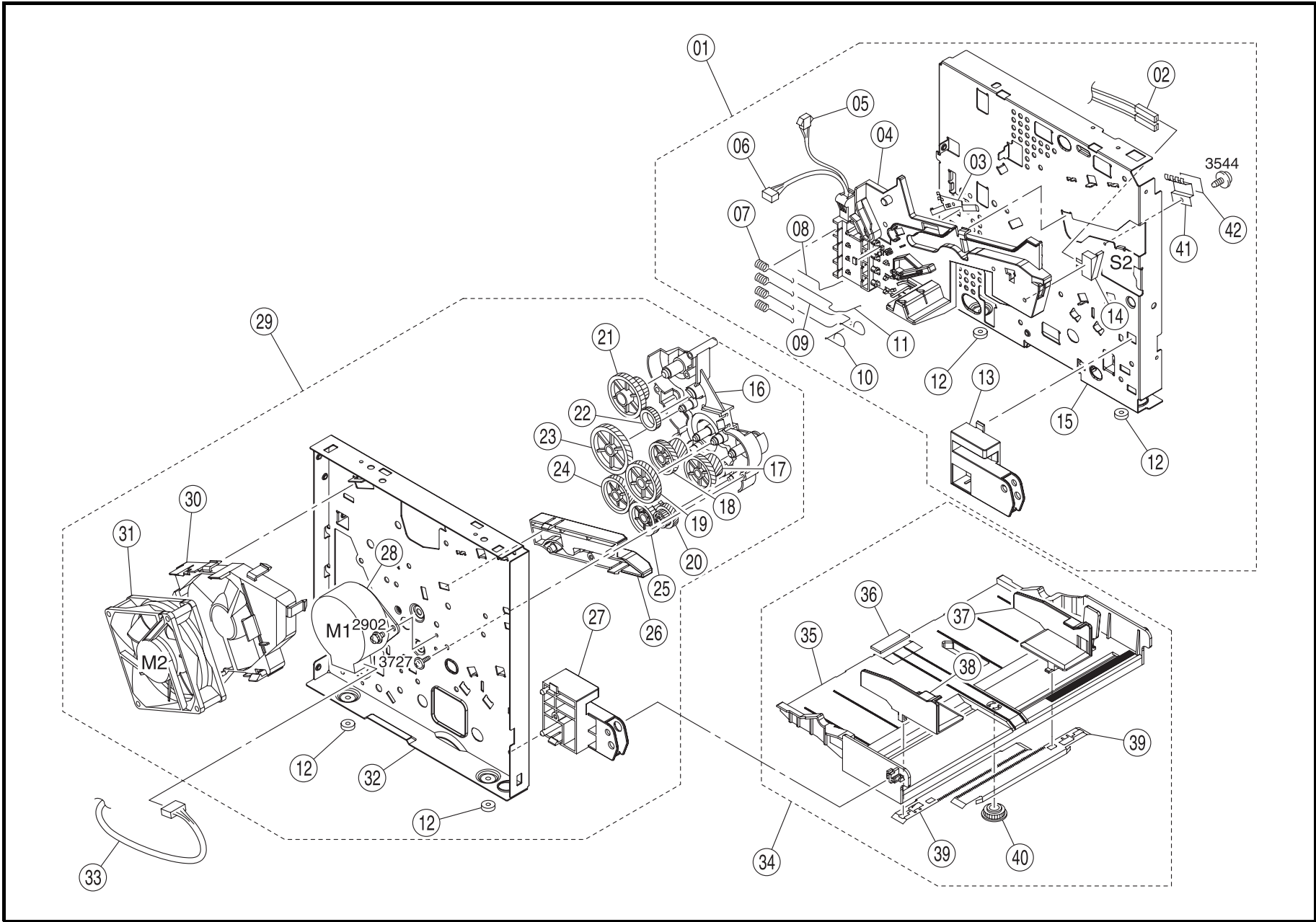
INDEX	PART NO.	PART NAME	REC	QTY	INDEX	PART NO.	PART NAME	REC	QTY
01	4136-1036-02	NS COVER		1	19	4111-2531-01	WASHER		1
02	4136-3717-01	NS NEUTRALIZING BRUSH		2	20	4136-3714-01	GEAR		1
03	4136-1004-05	NS GUIDE		1	21	4136-7321-01	NS LABEL		1
04	4136-3709-02	NS SPRING		2	23	4136-3731-04	ROLLER		1
05	4127-3707-01	ROLL		2	24	4136-0774-00	TOP COVER ASSY		1
06	4136-7326-02	NS LABEL		1	26	4136-5598-01	NS SEAL		1
07	4136-7325-02	NS LABEL		1	27	4136-5599-01	NS SEAL		1
08	4136-0901-01	PHOTO INTERRUPTER PAPER EXIT (PS3)		1	28	4136-1037-01	NS FILTER		1
09	4136-5518-02	ACTUATOR		1					
10	4136-3716-01	TORSION SPRING		1					
11	4136-5505-05	NS HOUSING		1					
12	4136-5517-02	NS PRESSURE SPRING		2					
13	4127-5571-01	BUSHING		2					
14	4136-5502-01	ROLLER		1					
15	4136-5503-03	NS GUIDE		1					
16	4136-5531-01	NS BRUSH		1					
17	4136-6702-01	THERMISTOR FUSING (TH1)		1					
18	4136-1005-03	GUIDE		1					
INDEX	PART NO.	PART NAME	REC	QTY	SFIX				
22	4136-7322-01	NS LABEL		1	011, 218				
22	4136-7323-01	NS LABEL		1	312				
22	4136-7324-01	NS LABEL		1	211				
25	4136-0768-00	FUSING UNIT 100V	RP	1	011				
25	4136-0769-00	FUSING UNIT 120V	RP	1	312				
25	4136-0770-00	FUSING UNIT 230V	RP	1	211, 218				



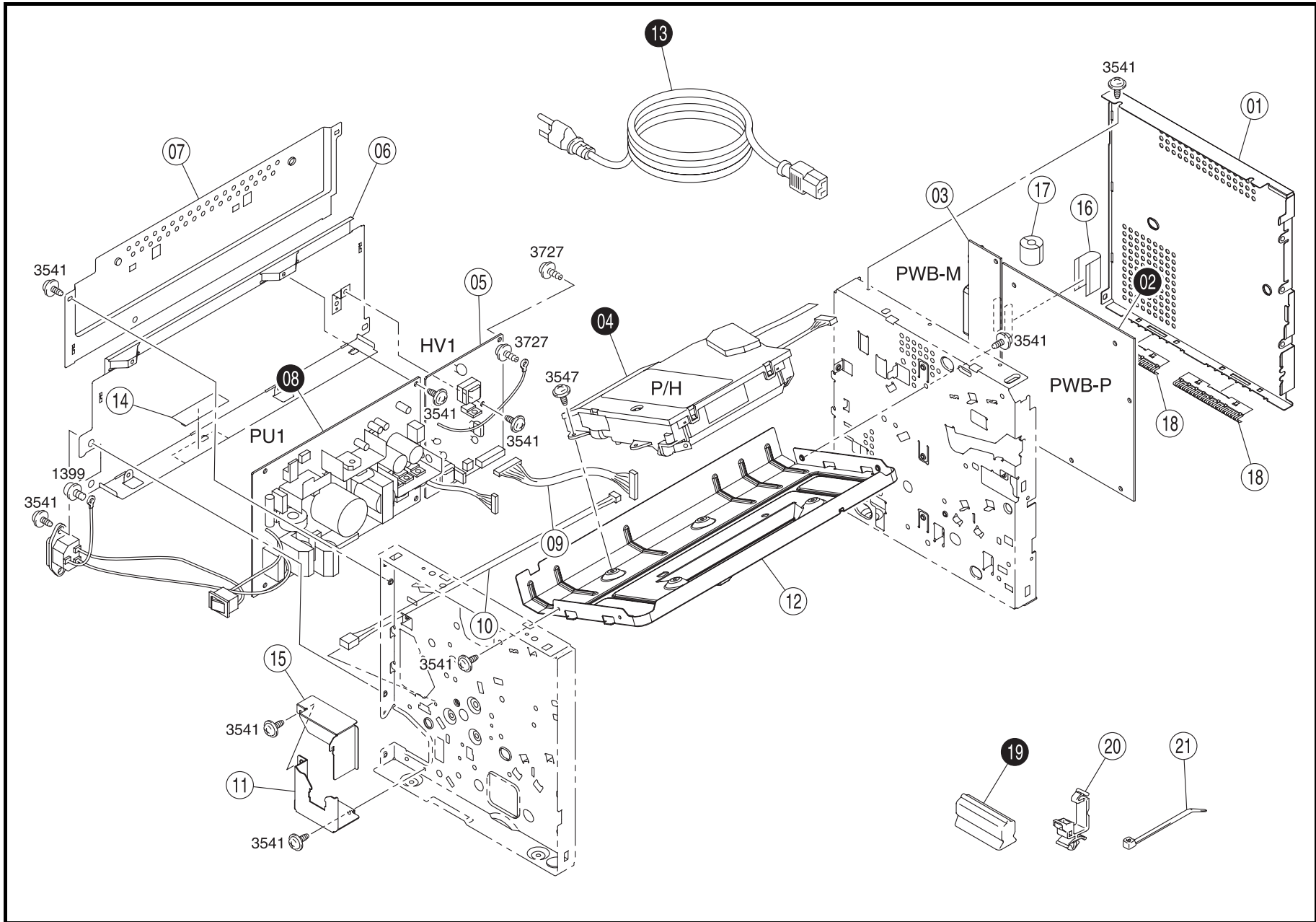


INDEX	PART NO.	PART NAME	REC	QTY	INDEX	PART NO.	PART NAME	REC	QTY
01	4136-0760-00	TRANSFER UNIT	RP	1	28	4136-3006-01 NS	ROLL		2
02	4136-4113-02 NS	NEUTRALIZING NEEDLE		1	29	4136-3002-01	ROLLER		1
03	4136-4102-04 NS	HOLDER		1	30	4136-3026-01	CAM		1
04	4127-4108-01	PRESSURE SPRING		1	31	4136-3045-01	TENSION SPRING		1
05	4136-4114-02 NS	CONTACT		1	32	4136-3049-01	FRICTION SHEET		1
06	4136-4105-01	BUSHING		1	33	4136-3025-01	LEVER		1
07	4127-4106-01	CONDUCTIVE MEMBER		1	34	4136-3027-01	TENSION SPRING		1
08	4136-4133-01 NS	SPACER		2	35	4136-3046-01	PLATE SPRING		1
09	4136-4132-01 NS	GUIDE PLATE		1	36	4136-3047-01	GEAR		1
10	4127-4135-01	PRESSURE SPRING		2	37	4136-3043-01	CAM		1
11	4136-4103-01	TRANSFER ROLLER	RP	1	38	4136-3039-01 NS	SHAFT		1
12	4136-4104-01	BUSHING		1	39	4136-3001-01	ROLLER	RP	1
13	4127-4107-01	PRESSURE SPRING		1	40	4136-0151-02	FRICTION SHEET ASSY	RP	1
14	4127-4111-01	GEAR		1	41	4136-3022-01 NS	STOPPER		2
15	4136-4109-06	GUIDE		1	42	4136-3048-01	GEAR		1
16	4136-6808-02	WIRE HARNESS ASSY		1	43	4136-3044-01	CAM		1
17	4136-6301-02	MICRO-SWITCH TAKE-UP (S1)	RP	1	44	4136-6803-01	WIRE HARNESS ASSY		1
18	4136-3014-02	GEAR		1	45	4136-0781-00	PAPER TAKE UP ASSY	RP	1
19	4136-3035-01	GEAR		1	46	4136-3016-02 NS	PRESSURE SPRING		2
20	4136-3038-01	RATCHET		1	47	4136-3021-01	ACTUATOR		1
21	4136-3037-01	TORSION SPRING	RP	1	48	4136-6751-01	CONNECTOR PIN		1
22	4136-3036-01	DRUM		1	49	4136-3020-02 NS	HOLDER		1
23	9321-2300-11	SOLENOID TAKE-UP (SL1)	RP	1	50	4136-6818-01	WIRE HARNESS ASSY		1
24	4136-3501-04	GUIDE		1	51	9335-1910-41	SOLID STATE SWITCH PAPER EMPTY (PE1)		1
25	4127-3041-02	PRESSURE SPRING		1	52	4136-6809-01	WIRE HARNESS ASSY B		1
26	4136-3018-01 NS	PRESSURE SPRING		2	53	4127-4109-01	CUSHION		1
27	4136-3009-02 NS	HOLDER		2					

INDEX	PART NO.	PART NAME	REC	QTY	SFIX



INDEX	PART NO.	PART NAME	REC	QTY	INDEX	PART NO.	PART NAME	REC	QTY
01	4136-0758-00	RIGHT FRAME ASSY		1	22	4136-2508-01 NS	GEAR		1
02	4136-6807-01 NS	WIRE HARNESS ASSY		1	23	4136-2507-01 NS	GEAR		1
03	4136-2012-02 NS	EARTH GROUND		1	24	4136-2501-01 NS	GEAR		1
04	4136-2011-04 NS	GUIDE		1	25	4136-2506-01 NS	GEAR		1
05	4136-6805-02 NS	WIRE HARNESS ASSY		1	26	4136-2524-02 NS	GUIDE		1
06	4136-6802-01 NS	WIRE HARNESS ASSY		1	27	4136-2019-03 NS	HOLDER		1
07	4136-2008-03 NS	CONTACT		4	28	9314-1201-31	MOTOR	MAIN (M1)	1
08	4136-2006-02 NS	CONTACT		1	29	4136-0754-00	LEFT FRAME ASSY		1
09	4136-2010-02 NS	CONTACT		1	30	4136-2310-02 NS	DUCT		1
10	4136-2009-02 NS	CONTACT		1	31	9313-1300-12	FAN MOTOR	COOLING (M2)	1
11	4136-2007-01 NS	CONTACT		1	32	4136-2005-04 NS	FRAME		1
12	4136-2015-01	RUBBER FOOT		4	33	4136-6810-03	WIRE HARNESS ASSY		1
13	4136-2018-02 NS	HOLDER		1	34	4136-0764-00	REGULATING PLATE ASSY		1
14	9331-2200-31	MICRO-SWITCH	FRONT DOOR (S2)	1	35	4136-3005-04 NS	LIFTING PLATE		1
15	4136-2024-04 NS	FRAME	N	1	36	4136-3013-01	FRICTION SHEET		1
16	4136-2526-03 NS	HOLDER		1	37	4136-3602-04 NS	REGULATING PLATE		1
17	4136-2504-01 NS	GEAR		1	38	4136-3603-02 NS	REGULATING PLATE		1
18	4136-2502-01 NS	GEAR		1	39	4136-3101-01 NS	RACK		2
19	4136-2503-01 NS	GEAR		1	40	4127-3104-01	GEAR		1
20	4136-2505-01 NS	GEAR		1	41	4136-2312-01 NS	EARTH GROUND		1
21	4136-2509-01 NS	GEAR		1	42	4136-2313-01 NS	SEAL		1
INDEX	PART NO.	PART NAME	REC	QTY	SFIX				



INDEX	PART NO.	PART NAME	REC	QTY	INDEX	PART NO.	PART NAME	REC	QTY
01	4136-2305-02	NS SHIELD		1					
03	4136-6012-01	PWB ASSY I/F (PWB-M)	RP	1					
05	4136-6205-03	HV TRANSFORMER (HV1)	RP	1					
06	4136-2304-03	NS FRAME		1					
07	4136-2055-04	NS FRAME		1					
09	4136-6804-01	WIRE HARNESS ASSY		1					
10	4136-6812-02	WIRE HARNESS ASSY		1					
11	4136-2032-04	NS BRACKET		1					
12	4136-2001-02	NS BASE FRAME		1					
14	4136-2308-01	NS INSULATING MEMBER		1					
15	4136-2033-02	NS COVER		1					
16	4127-6815-01	WIRE HARNESS ASSY		1					
17	9326-1810-51	FERRITE CORE		1					
18	4136-2311-01	NS EARTH GROUND		2					
20	9384-1100-91	WIRING SADDLE		1					
21	9384-1311-11	CABLE TIE 104L		1					
INDEX	PART NO.	PART NAME	REC	QTY	SFIX				
02	4136-6003-02	PWB ASSY CONTROL (PWB-P)	RP	1	211				
02	4136-7803-01	PWB ASSY CONTROL (PWB-P)		1	312				
02	4136-7804-01	PWB ASSY CONTROL (PWB-P)		1	011				
02	4136-7805-01	PWB ASSY CONTROL (PWB-P)		1	218				
04	4136-0782-00	PRINT HEAD ASSY (P/H)	RP	1	011, 211, 312				
04	4136-0783-00	PRINT HEAD ASSY (P/H)	RP	1	218				
08	4136-6203-02	POWER SUPPLY (PU1)	RP	1	011, 312				
08	4136-6208-01	POWER SUPPLY (PU1)	RP	1	211, 218				
13	9381-4101-01	POWER CORD		1	211				
13	9381-4200-31	POWER CORD		1	011				
13	9381-4200-41	POWER CORD		1	312				
13	9381-4910-22	POWER CORD		1	218				
19	9384-2300-11	NS EDGE COVER FUSE COVER		1	211, 218				
19	9384-2300-21	NS EDGE COVER FUSE COVER		1	011, 312				



PART NO.	FIG.	INDEX	QTY		PART NO.	FIG.	INDEX	QTY		PART NO.	FIG.	INDEX	QTY		PART NO.	FIG.	INDEX	QTY		
4111-2531-01	02	19	1		4136-2504-01	04	17	1		4136-6802-01	04	06	1							
4127-3041-02	03	25	1		4136-2505-01	04	20	1		4136-6803-01	03	44	1							
4127-3104-01	04	40	1		4136-2506-01	04	25	1		4136-6804-01	05	09	1							
4127-3707-01	02	05	2		4136-2507-01	04	23	1		4136-6805-02	04	05	1							
4127-4106-01	03	07	1		4136-2508-01	04	22	1		4136-6807-01	04	02	1							
4127-4107-01	03	13	1		4136-2509-01	04	21	1		4136-6808-02	03	16	1							
4127-4108-01	03	04	1		4136-2524-02	04	26	1		4136-6809-01	03	52	1							
4127-4109-01	03	53	1		4136-2526-03	04	16	1		4136-6810-03	04	33	1							
4127-4111-01	03	14	1		4136-3001-01	03	39	1		4136-6812-02	05	10	1							
4127-4135-01	03	10	2		4136-3002-01	03	29	1		4136-6818-01	03	50	1							
4127-5571-01	02	13	2		4136-3005-04	04	35	1		4136-7321-01	02	21	1							
4127-6815-01	05	16	1		4136-3006-01	03	28	2		4136-7322-01	02	22	1							
4136-0151-02	03	40	1		4136-3009-02	03	27	2		4136-7323-01	02	22	1							
4136-0754-00	04	29	1		4136-3013-01	04	36	1		4136-7324-01	02	22	1							
4136-0758-00	04	01	1		4136-3014-02	03	18	1		4136-7325-02	02	07	1							
4136-0760-00	03	01	1		4136-3016-02	03	46	2		4136-7326-02	02	06	1							
4136-0764-00	04	34	1		4136-3018-01	03	26	2		4136-7341-01	01	18	1							
4136-0768-00	02	25	1		4136-3020-02	03	49	1		4136-7342-01	01	18	1							
4136-0769-00	02	25	1		4136-3021-01	03	47	1		4136-7343-01	01	18	1							
4136-0770-00	02	25	1		4136-3022-01	03	41	2		4136-7344-01	01	18	1							
4136-0774-00	02	24	1		4136-3025-01	03	33	1		4136-7361-01	01	19	1							
4136-0781-00	03	45	1		4136-3026-01	03	30	1		4136-7362-01	01	19	1							
4136-0782-00	05	04	1		4136-3027-01	03	34	1		4136-7500-01	01	15	1							
4136-0783-00	05	04	1		4136-3035-01	03	19	1		4136-7803-01	05	02	1							
4136-0901-01	02	08	1		4136-3036-01	03	22	1		4136-7804-01	05	02	1							
4136-1001-03	01	08	1		4136-3037-01	03	21	1		4136-7805-01	05	02	1							
4136-1004-05	02	03	1		4136-3038-01	03	20	1		9313-1300-12	04	31	1							
4136-1005-03	02	18	1		4136-3039-01	03	38	1		9314-1201-31	04	28	1							
4136-1007-03	01	09	1		4136-3043-01	03	37	1		9321-2300-11	03	23	1							
4136-1012-03	01	01	1		4136-3044-01	03	43	1		9326-1810-51	05	17	1							
4136-1018-02	01	06	1		4136-3045-01	03	31	1		9331-2200-31	04	14	1							
4136-1020-03	01	16	1		4136-3046-01	03	35	1		9335-1910-41	03	51	1							
4136-1021-01	01	14	1		4136-3047-01	03	36	1		9381-4101-01	05	13	1							
4136-1022-02	01	10	1		4136-3048-01	03	42	1		9381-4200-31	05	13	1							
4136-1023-01	01	05	1		4136-3049-01	03	32	1		9381-4200-41	05	13	1							
4136-1024-03	01	07	1		4136-3101-01	04	39	2		9381-4910-22	05	13	1							
4136-1025-02	01	02	1		4136-3501-04	03	24	1		9384-1100-91	05	20	1							
4136-1028-05	01	17	1		4136-3602-04	04	37	1		9384-1311-11	05	21	1							
4136-1030-03	01	11	1		4136-3603-02	04	38	1		9384-2300-11	05	19	1							
4136-1033-01	01	13	1		4136-3709-02	02	04	2		9384-2300-21	05	19	1							
4136-1034-01	01	12	1		4136-3714-01	02	20	1												
4136-1036-02	02	01	1		4136-3716-01	02	10	1												
4136-1037-01	02	28	1		4136-3717-01	02	02	2												
4136-2001-02	05	12	1		4136-3731-04	02	23	1												
4136-2005-04	04	32	1		4136-4102-04	03	03	1												
4136-2006-02	04	08	1		4136-4103-01	03	11	1												
4136-2007-01	04	11	1		4136-4104-01	03	12	1												
4136-2008-03	04	07	4		4136-4105-01	03	06	1												
4136-2009-02	04	10	1		4136-4109-06	03	15	1												
4136-2010-02	04	09	1		4136-4113-02	03	02	1												
4136-2011-04	04	04	1		4136-4114-02	03	05	1												
4136-2012-02	04	03	1		4136-4132-01	03	09	1												
4136-2015-01	04	12	4		4136-4133-01	03	08	2												
4136-2018-02	04	13	1		4136-5502-01	02	14	1												
4136-2019-03	04	27	1		4136-5503-03	02	15	1												
4136-2024-04	04	15	1		4136-5505-05	02	11	1												
4136-2032-04	05	11	1		4136-5517-02	02	12	2												
4136-2033-02	05	15	1		4136-5518-02	02	09	1												
4136-2055-04	05	07	1		4136-5531-01	02	16	1												
4136-2304-03	05	06	1		4136-5598-01	02	26	1												
4136-2305-02	05	01	1		4136-5599-01	02	27	1												
4136-2306-01	01	04	1		4136-6003-02	05	02	1												
4136-2308-01	05	14	1		4136-6004-01	01	03	1												
4136-2310-02	04	30	1		4136-6012-01	05	03	1												
4136-2311-01	05	18	2		4136-6203-02	05	08	1												
4136-2312-01	04	41	1		4136-6205-03	05	05	1												
4136-2313-01	04	42	1		4136-6208-01	05	08	1												
4136-2501-01	04	24	1		4136-6301-02	03	17	1												
4136-2502-01	04	18	1		4136-6702-01	02	17	1												
4136-2503-01	04	19	1		4136-6751-01	03	48	1												

