

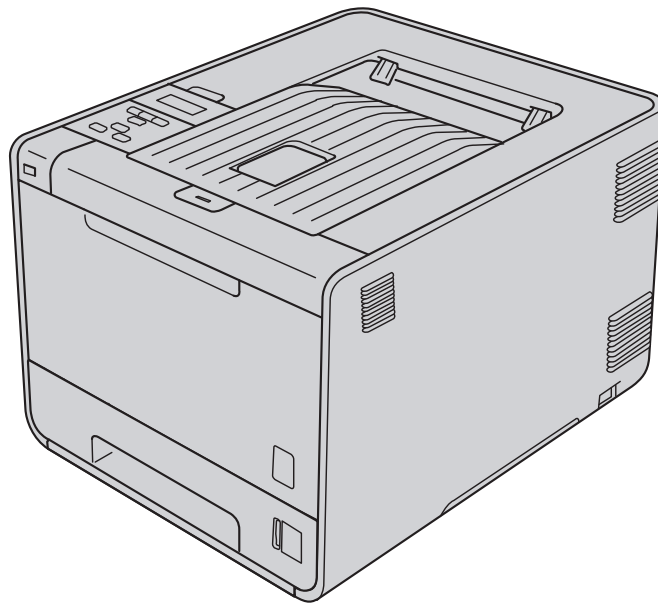


## Color Laser Printer **PARTS REFERENCE LIST**

---

---

**MODEL: HL-4140CN/4150CDN/  
4570CDW/4570CDWT**



Read this list thoroughly before maintenance work.

Keep this list in a convenient place for quick and easy reference at all times.

# NOTE FOR USING THIS PARTS REFERENCE LIST

1. In the case of ordering parts, it is necessary to mention the following items:

- (1) Code
- (2) Q'ty
- (3) Description
- (4) Symbol (PCB No. etc.)

<Example>

	(1)	(2)	(3)	(4)	
REF.NO.	CODE	Q'TY	DESCRIPTION	SYMBOL	REMARKS

Revision No.: marked on the **main printed circuit board (Main PCB)**

**B48K056**

----- Circuit board No.

2. Design-changed parts:

If any of the parts code is changed in this Parts List, one of the following symbols is indicated in the REMARKS column.

CHG (chg): The part code is changed for a new one in this Parts List.

ADD (add): The part code is newly added in this Parts List.

DEL (del) : The part code is deleted in this Parts List.

Symbol in capital letters indicates the latest parts change information in the page.

3. The original parts reference list is based on the information available in July 2009.

4. Parts are subject to change in design without prior notice.

## COUNTRIES AND AREAS

ARG: Argentina

ARL/NZ: Australia/New Zealand

BRA: Brazil

CAN: Canada

CEE: CEE-GENERAL

(Bulgaria/Czech/Hungary/Poland/Romania/  
Slovakia)

CHE: Switzerland

CHL: Chile

CHN: China

FRA/BEL/NLD: France/Belgium/Netherlands

GER: Germany

GUL: Gulf

IBR: Spain/Portugal

IND: India

ITA: Italy

KOR: Korea

PND: PAN-NOR

(Norway/Finland/Denmark/Sweden)

RUS: Russia

SGP: Singapore

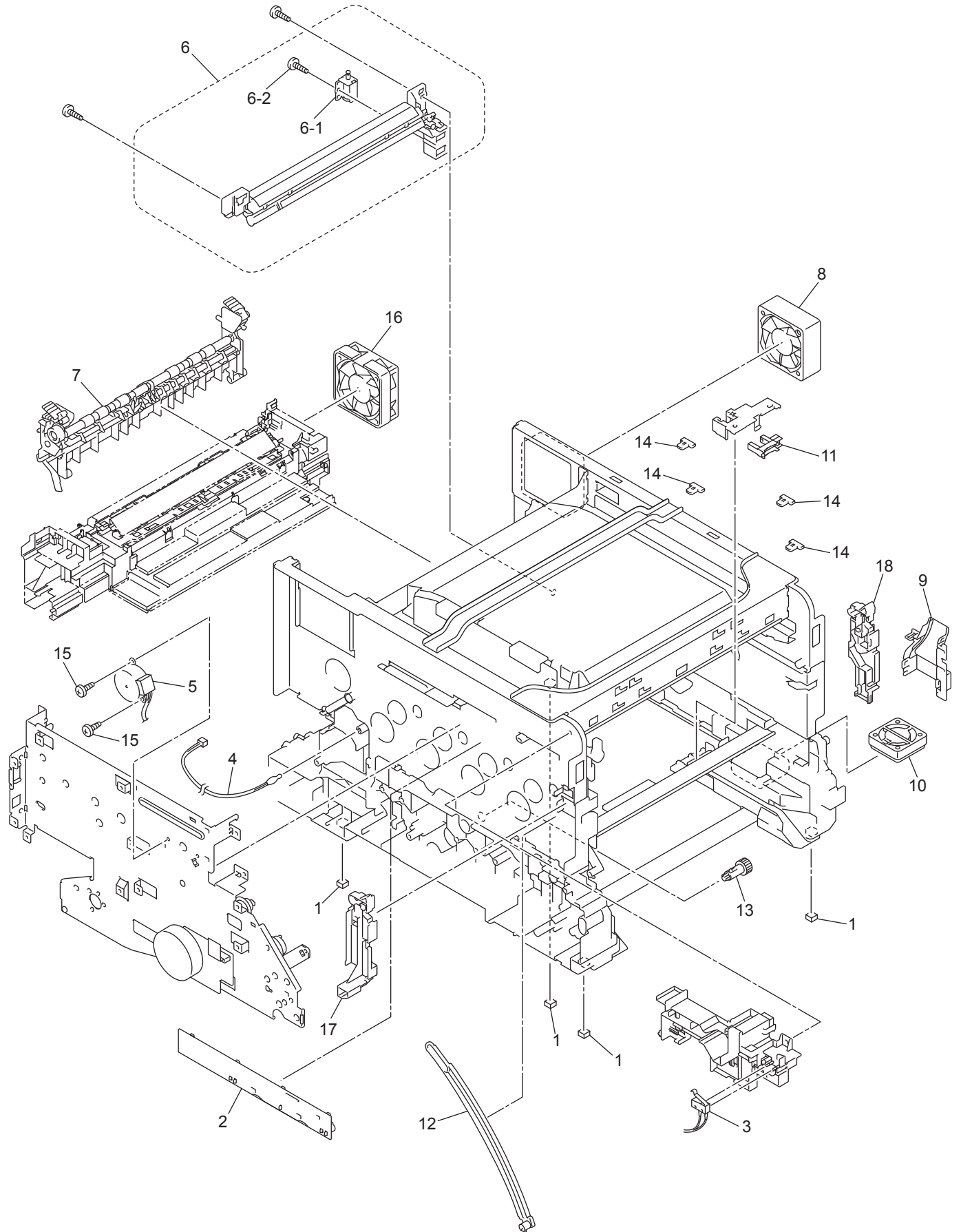
UK: U.K.

US: U.S.A.

# CONTENTS

1.	<u>FRAME</u> .....	1
2.	<u>DRIVE</u> .....	3
3.	<u>LASER UNIT</u> .....	5
4.	<u>PAPER FEEDER</u> .....	7
5.	<u>MP UNIT</u> .....	9
6.	<u>DX</u> .....	11
7.	<u>PAPER TRAY</u> .....	13
8.	<u>FUSER UNIT</u> .....	15
9.	<u>PAPER EJECT</u> .....	17
10.	<u>COVERS &amp; LABELS</u> .....	19
11.	<u>MAIN PCB</u> .....	21
12.	<u>ENGINE PCB</u> .....	23
13.	<u>LVPS</u> .....	25
14.	<u>HVPS</u> .....	27
15.	<u>AC CORD</u> .....	29
16.	<u>ACCESSORIES</u> .....	31
17.	<u>PACKING MATERIALS</u> .....	33
18.	<u>PERIODICAL MAINTENANCE PARTS</u> .....	35
19.	<u>LT</u> .....	37

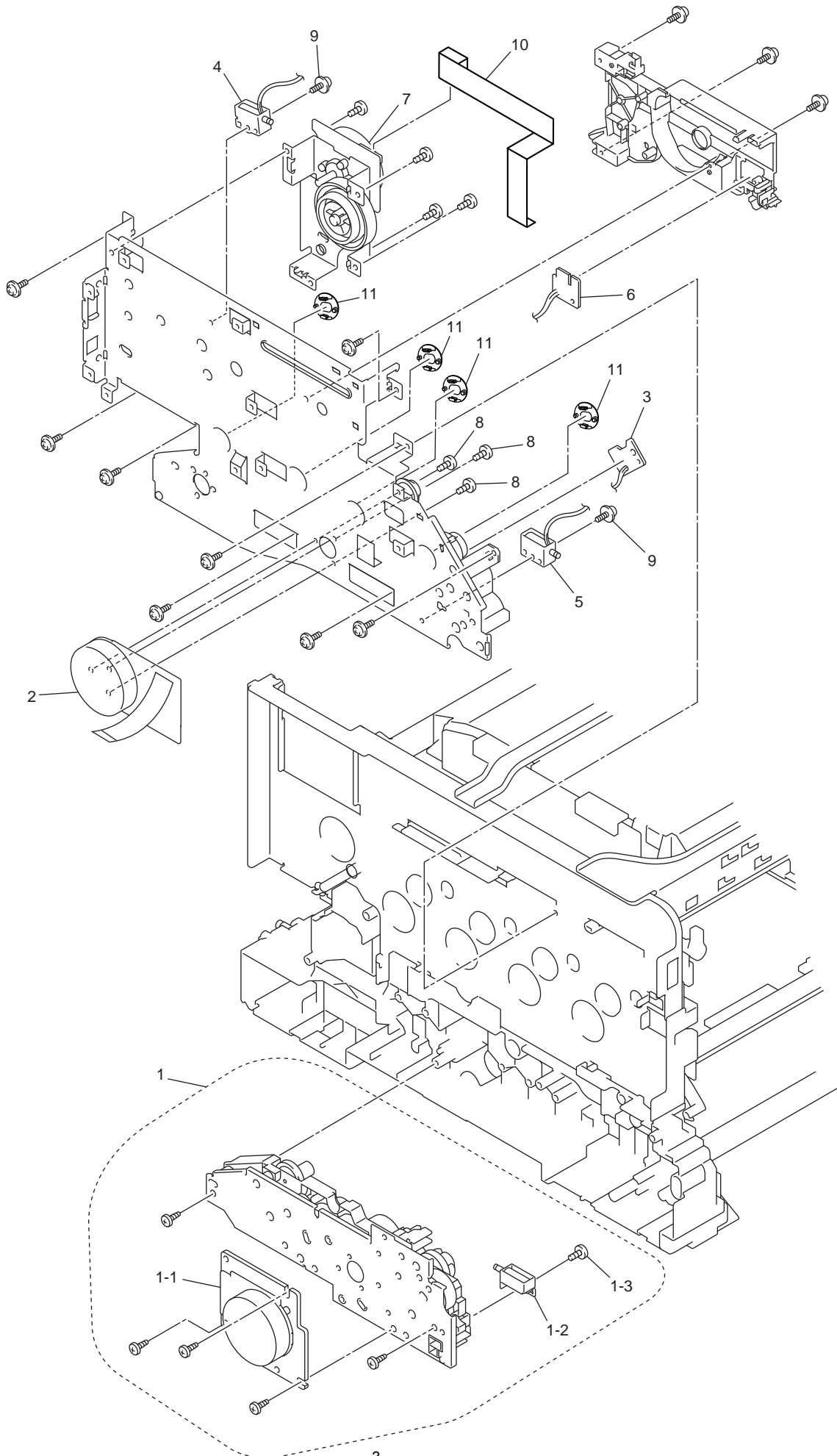
# 1.FRAME



1. FRAME

REF No.	CODE	Q'TY	DESCRIPTION	REMARKS
1	LR1352001	4	RUBBER FOOT	
2	LY0061001	1	TONER/NEW SENSOR PCB ASSY	
3	LV0470001	1	FRONT COVER SENSOR	
4	LV0472001	1	INTERNAL TEMPERATURE THERMISTOR	
5	LY0722001	1	DEVELOP RELEASE MOTOR	
6	LY0070001	1	REGISTRATION MARK SENSOR HOLDER ASSY	
6-1	LY0077001	1	SHUTTER SOLENOID	
6-2	LU5694001	1	TAPTITE BIND B M3X10	
7	LY0080001	1	FUSER COVER	
8	LY0095001	1	FUSER FAN	
9	LY0099001	1	AIR DUCT COVER	
10	LY0100001	1	BLOWER	
11	LM9221001	1	WASTE TONER SENSOR	
12	LY0115001	1	FORCED DEVELOP RELEASE LINK	
13	LY0050001	1	CLEANER DRIVE GEAR 15	
14	LU6330001	4	SPACER	
15	085320616	2	TAPTITE BIND S M3X6	
16	LY0630001	1	POWER FAN	
17	LY0112001	1	DRUM LOCK L	ADD
18	LY0114001	1	DRUM LOCK R	ADD

## 2.DRIVE

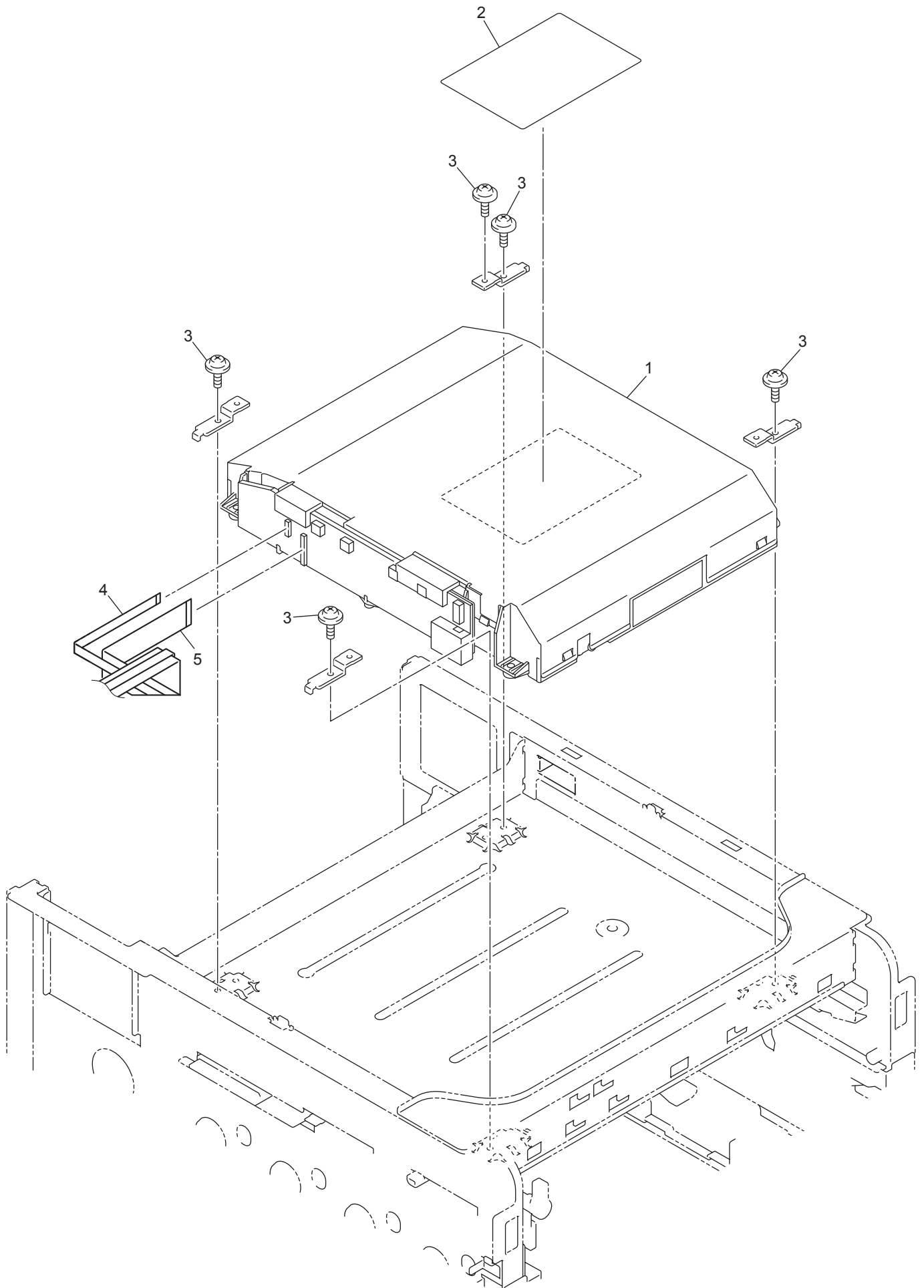


2. DRIVE

REF No.	CODE	Q'TY	DESCRIPTION	REMARKS
1	LY0116001	1	PF CLN DRIVE ASSY	ADD
1-1	LY0117001	1	PF PLATE ASSY	
1-2	LY0133001	1	T1 SOLENOID ASSY	
1-3	085310816	1	TAPTITE BIND B M3X8	
2	LY0723001	1	DRUM DRIVE MOTOR	
3	LV0488001	1	DRUM POSITION SENSOR PCB ASSY	
4	LY0208001	1	MONO SOLENOID ASSY	
5	LY0221001	1	REGISTRATION SOLENOID ASSY	
6	LV0489001	1	DEVELOP RELEASE SENSOR PCB ASSY	
7	LY0227001	1	FUSER DEVELOP MOTOR ASSY	
8	000300416	3	SCREW BIND M3X4	
9	LU5691001	2	TAPTITE CUP S M3X6 SR	
10	LV0471001	1	FUSER DEVELOP MOTOR FLAT CABLE	add
11	LY0205001	4	DRUM JOINT A	add



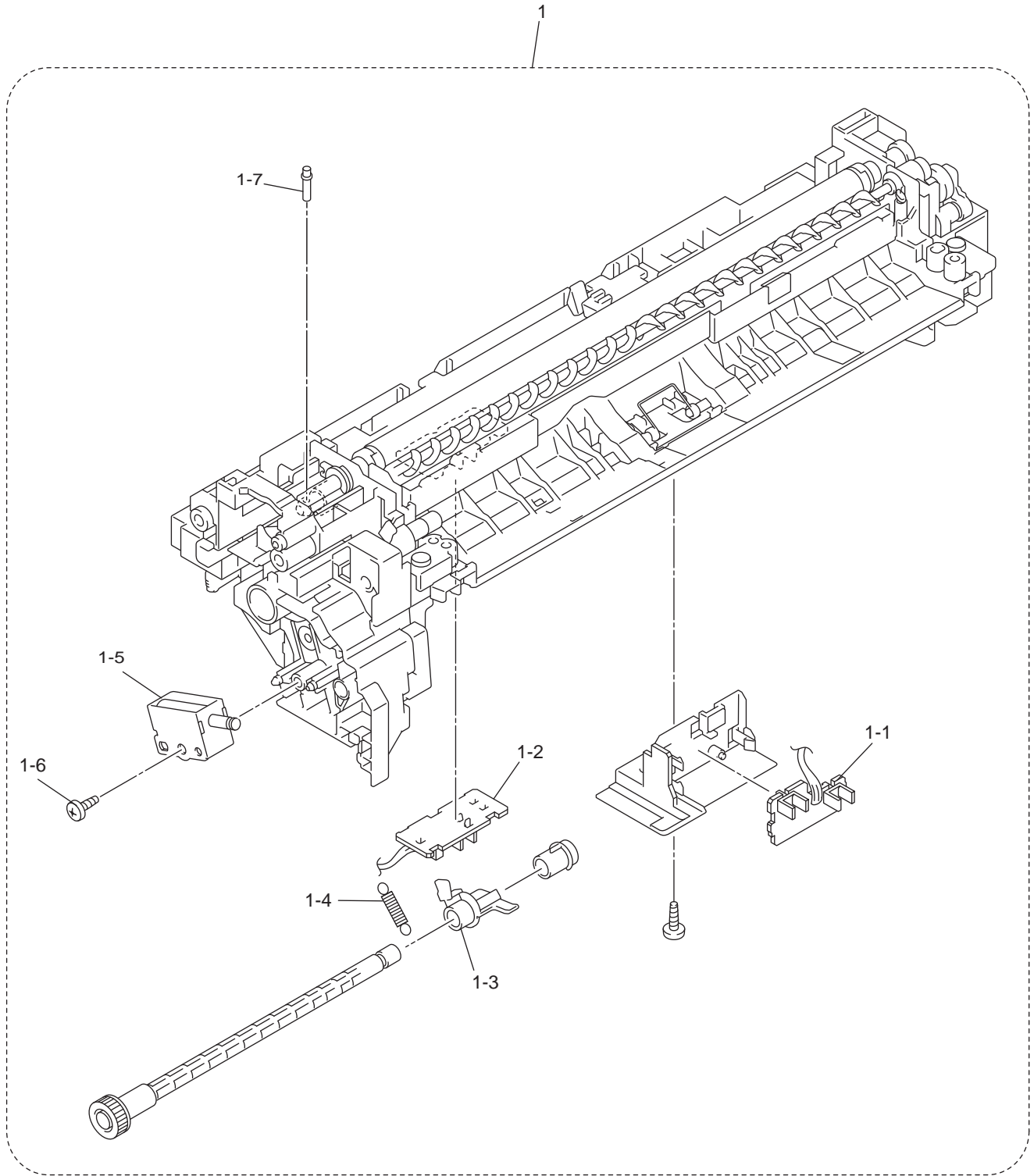
### 3.LASER UNIT



### 3. LASER UNIT

REF No.	CODE	Q'TY	DESCRIPTION	REMARKS
1	LY0737001	1	LASER UNIT (SP)	
2	LU1259001	1	LABEL LASER CAUTION 75X100	
3	LU5691001	5	TAPTITE CUP S M3X6 SR	
4	LV0461001	1	LASER UNIT-ENGINE FLAT CABLE	ADD
5	LV0462001	1	LASER UNIT-MAIN FLAT CABLE	ADD

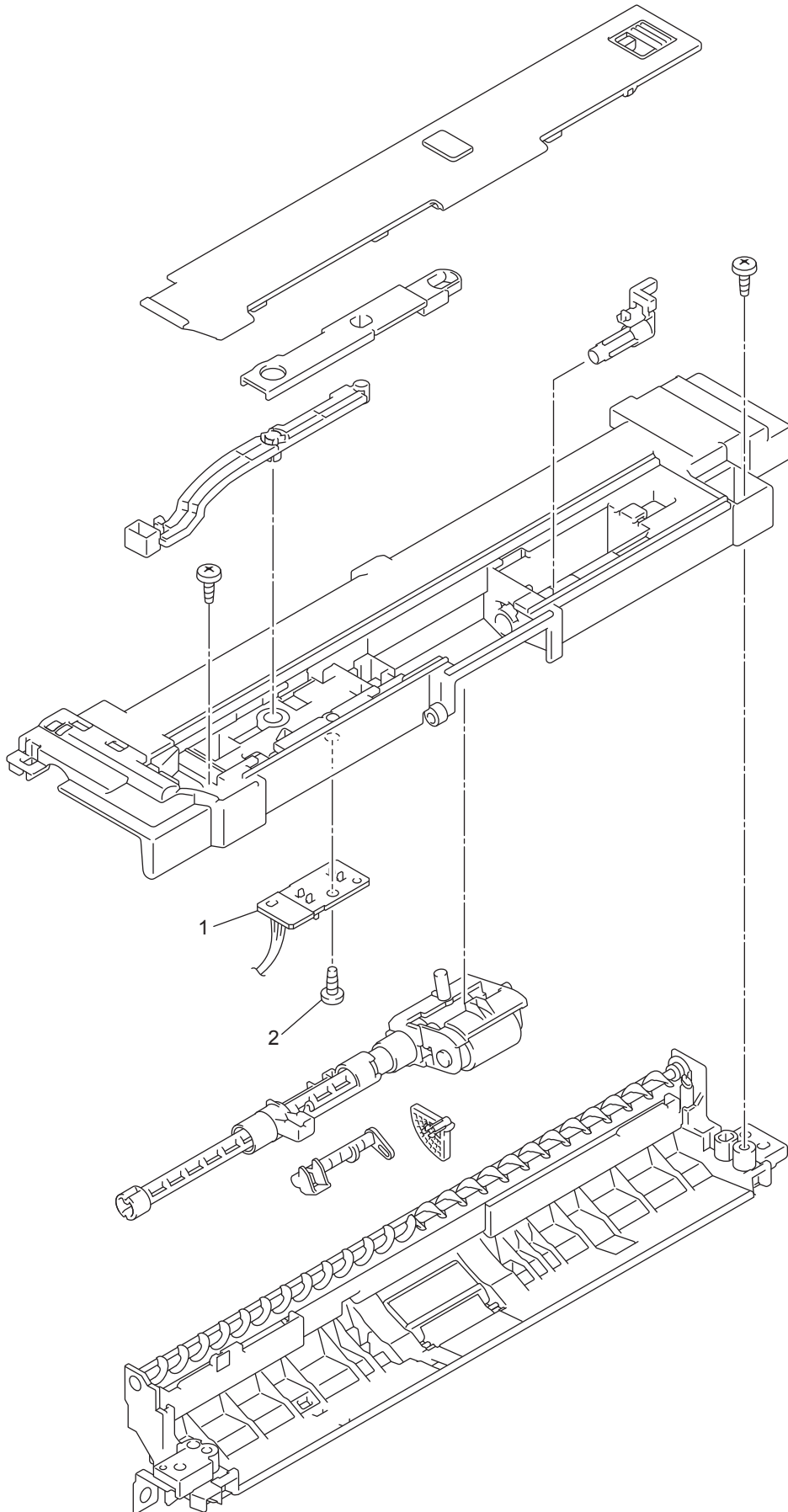
#### 4.PAPER FEEDER



4. PAPER FEEDER

REF No.	CODE	Q'TY	DESCRIPTION	REMARKS
1	LR2173001	1	PF ASSY (SP)	CHG
1-1	LV0491001	1	T1 REGISTRATION FRONT/REAR SENSOR PCB ASSY	
1-2	LV0494001	1	T1 PAPER EDGE SENSOR PCB ASSY	
1-3	LY0248001	1	T1 PAPER EDGE ACTUATOR	
1-4	LR0914001	1	T1 PAPER EDGE ACTUATOR SPRING	
1-5	LY0294001	1	MP SECTOR SOLENOID	
1-6	085310816	1	TAPTITE BIND B M3X8	
1-7	LR0762001	1	JOINT PIN	ADD

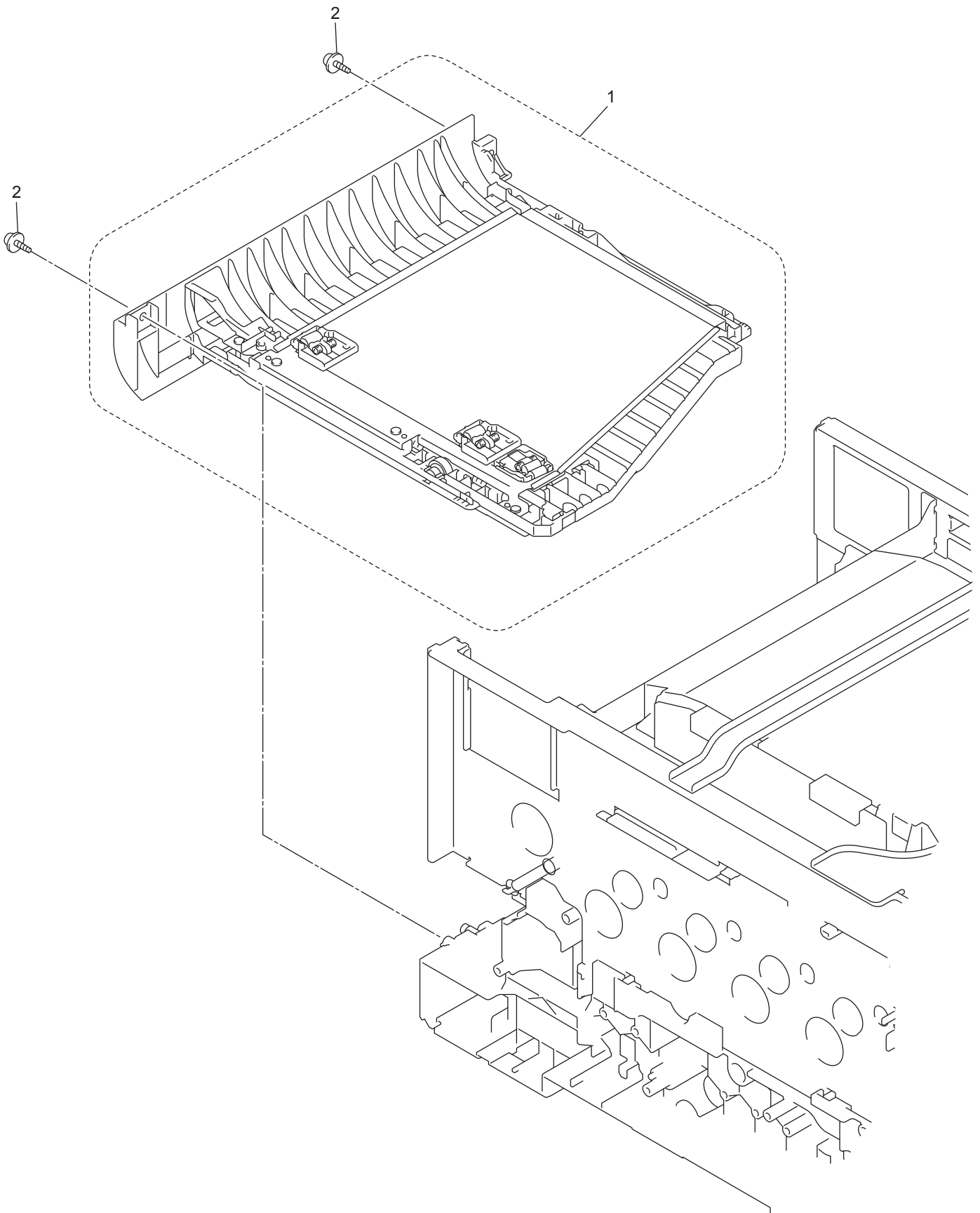
5.MP UNIT



5. MP UNIT

REF No.	CODE	Q'TY	DESCRIPTION	REMARKS
1	LV0500001	1	MP PAPER EMPTY/REGISTRATION FRONT SENSOR PCB ASSY	
2	085310816	1	TAPTITE BIND B M3X8	

6.DX

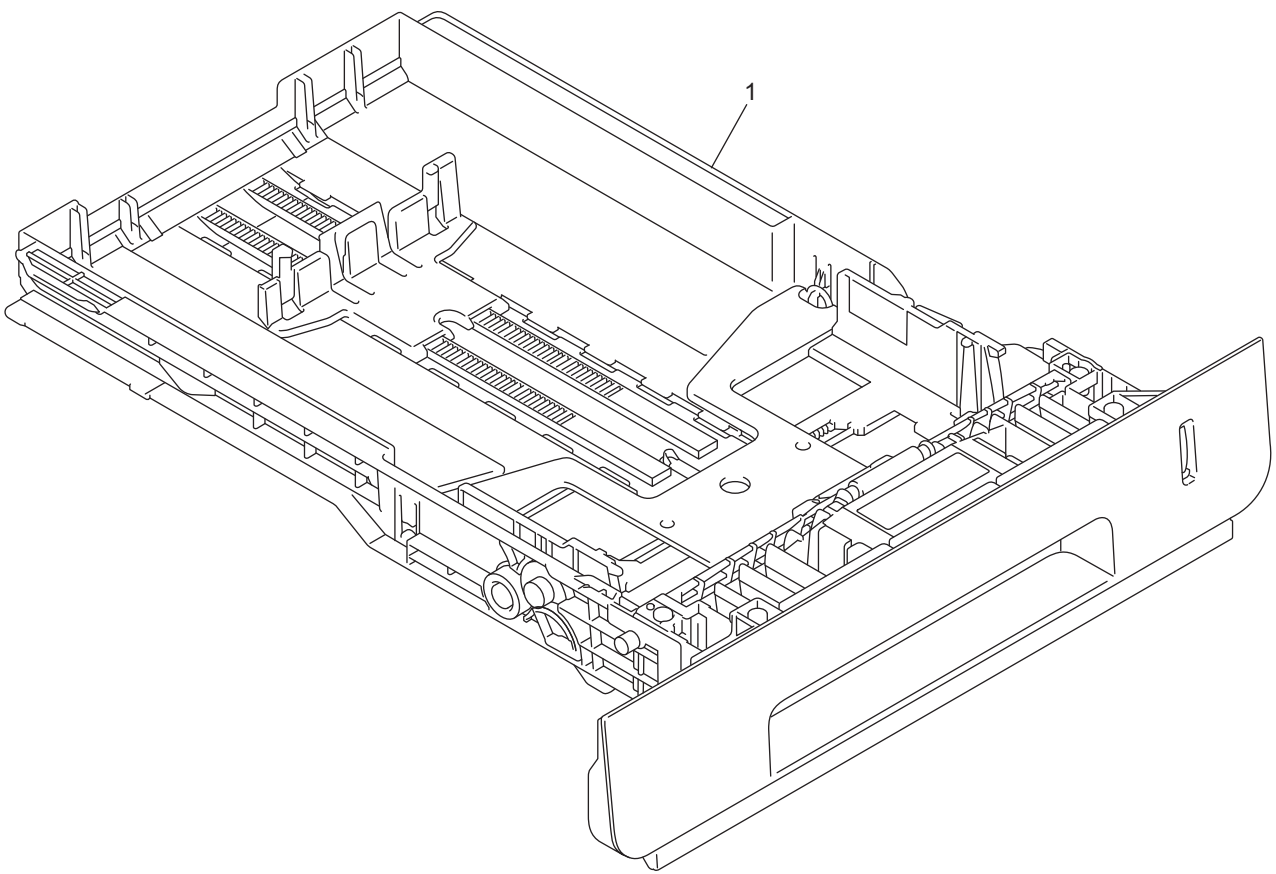


6. DX

REF No.	CODE	Q'TY	DESCRIPTION	REMARKS
1	LY0700001	1	DUPLEX TRAY FEED A4, HL-4140CN	
1	LY1666001	1	DUPLEX FEED ASSY LTR (SP), HL-4150CDN/4570CDW/ 4570CDWT FOR US/CAN/ARG/CHL/BRA	CHG
1	LY1626001	1	DUPLEX FEED ASSY A4 (SP), HL-4150CDN/4570CDW/ 4570CDWT EXCEPT FOR US/CAN/ARG/CHL/BRA	CHG
2	LY1163001	2	TAPTITE CUP B M3X12	



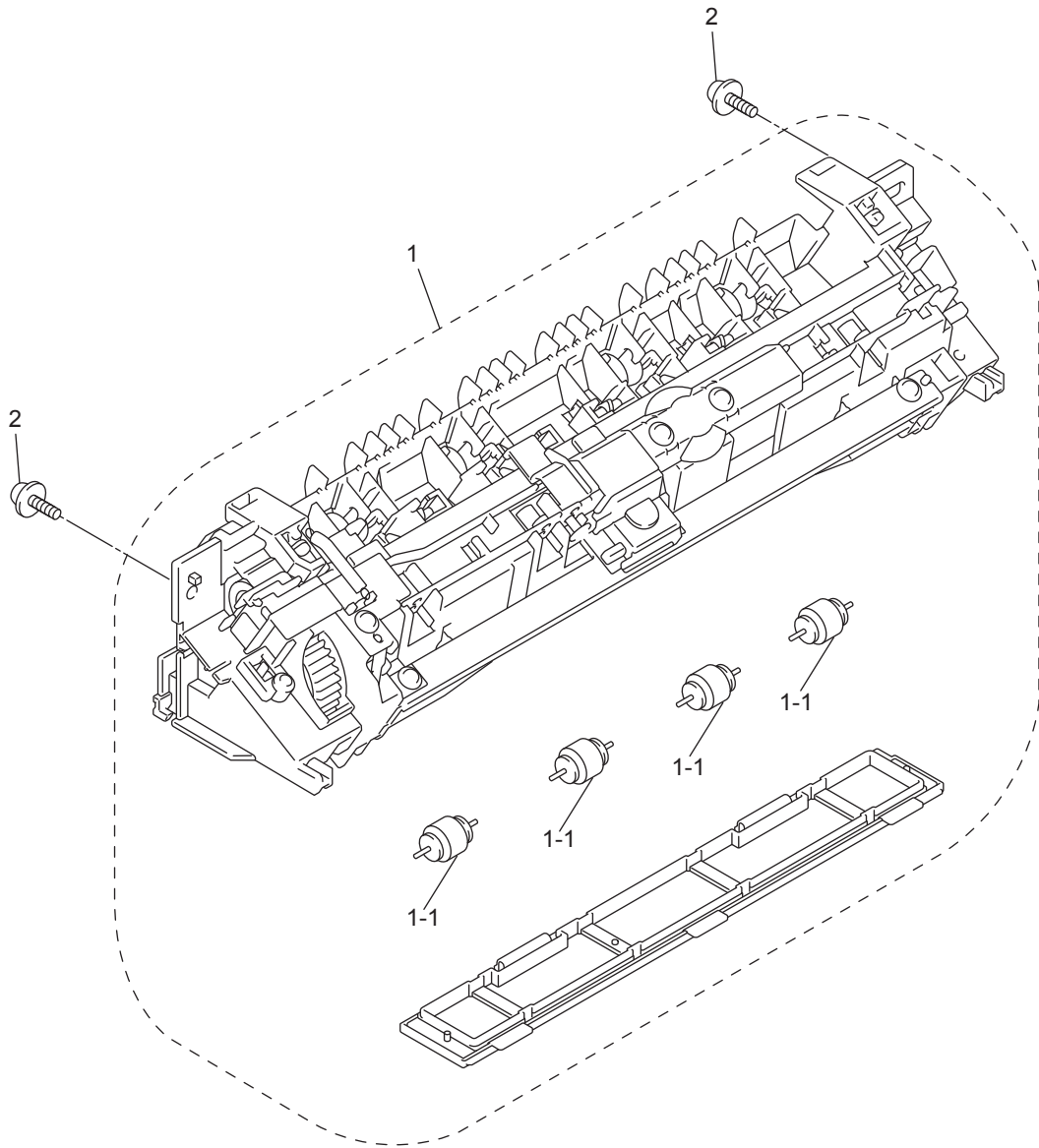
## 7.PAPER TRAY



7. PAPER TRAY

REF No.	CODE	Q'TY	DESCRIPTION	REMARKS
1	LY1671001	1	PAPER TRAY (SP)	CHG

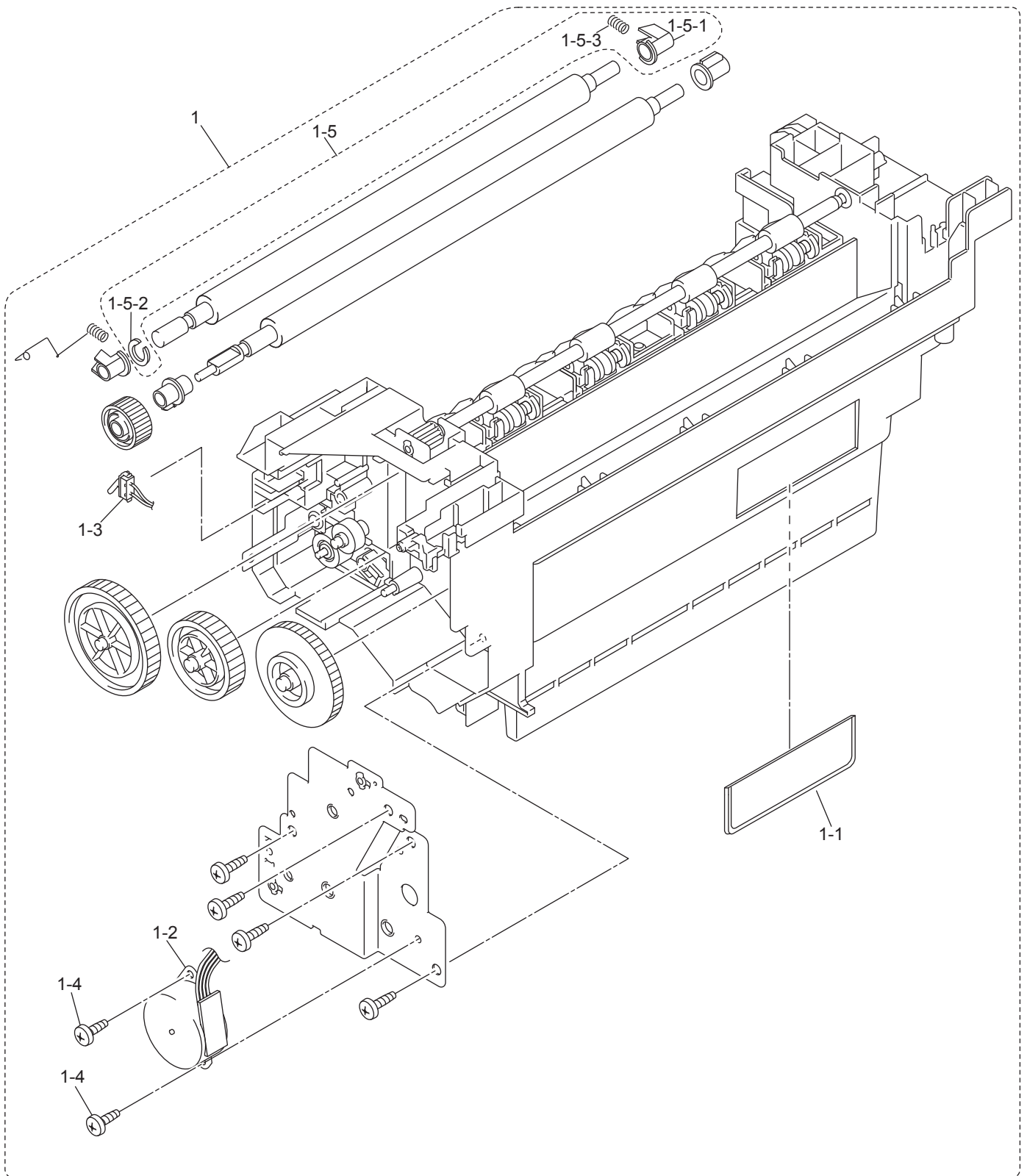
# 8.FUSER UNIT



8. FUSER UNIT

REF No.	CODE	Q'TY	DESCRIPTION	REMARKS
1	LY0748001	1	FUSER UNIT 115V (SP)	
1	LY0749001	1	FUSER UNIT 230V (SP)	
1-1	LY0634001	4	CLEANER PINCH ROLLER S ASSY BC	ADD
2	LJ0395001	2	TAPTITE PAN B M4X14	

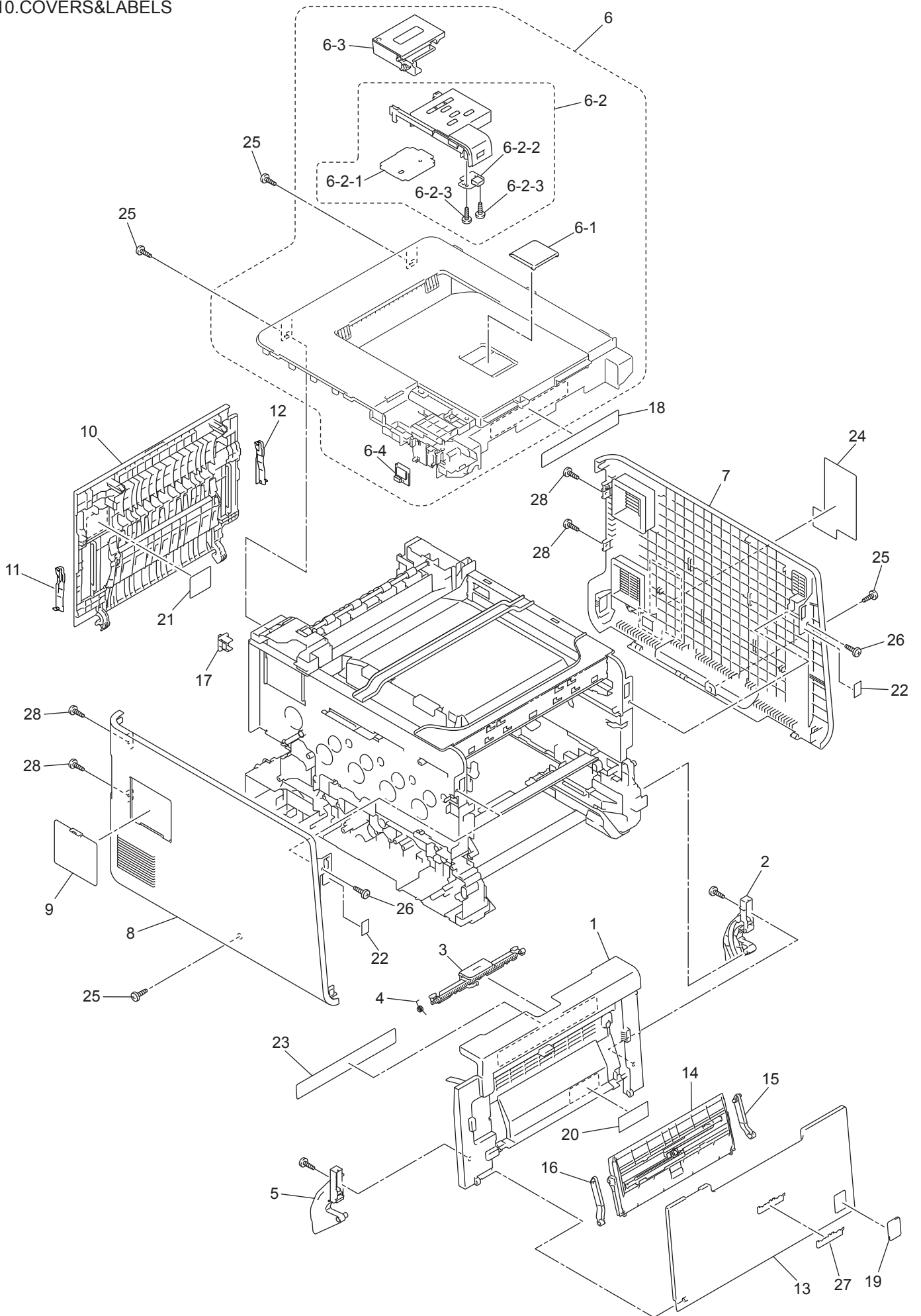
9.PAPER EJECT



9. PAPER EJECT

REF No.	CODE	Q'TY	DESCRIPTION	REMARKS
1	LY1735002	1	PAPER EJECT ASSY (SP), HL-4140CN/4150CDN	chg
1	LY1735001	1	PAPER EJECT ASSY (SP), HL-4570CDW/4570CDWT	chg
1-1	LY1245001	1	FILTER ASSY	
1-2	LY0408001	1	PAPER EJECT MOTOR	
1-3	LV0538001	1	BACK COVER SENSOR ASSY	
1-4	085320616	2	TAPTITE BIND S M3X6	
1-5	LY7959001	1	EJECT PAPER KIT(SP)	ADD
1-5-1	LY0391002	1	EJECT MIDDLE BEARING	add
1-5-2	LY0719001	1	COLLAR 6	add
1-5-3	LY0393001	1	MIDDLE ROLLER SPRING	add

10. COVERS & LABELS

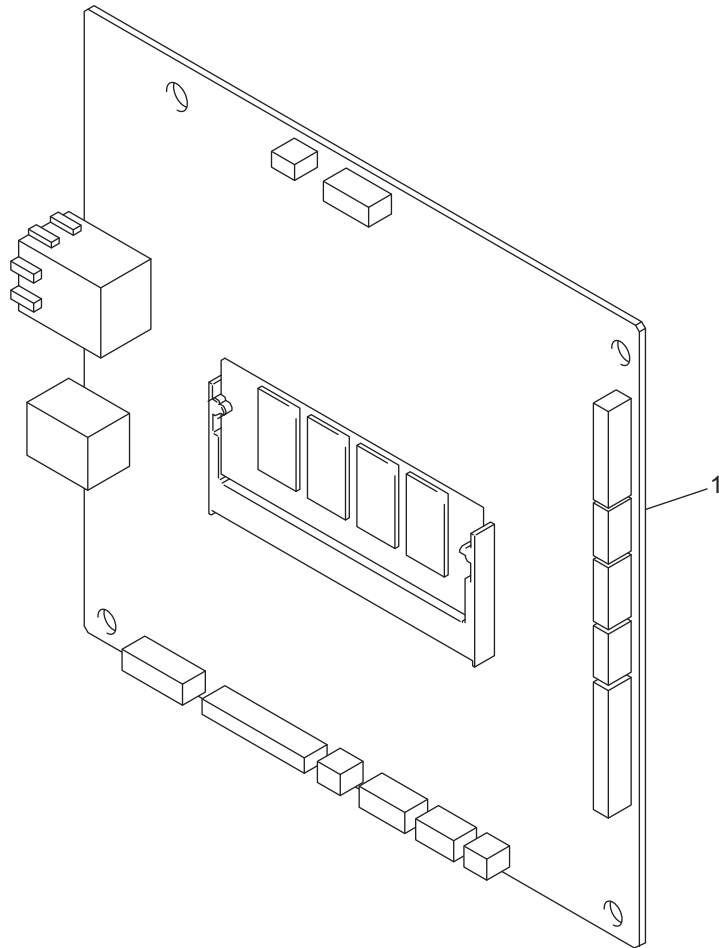
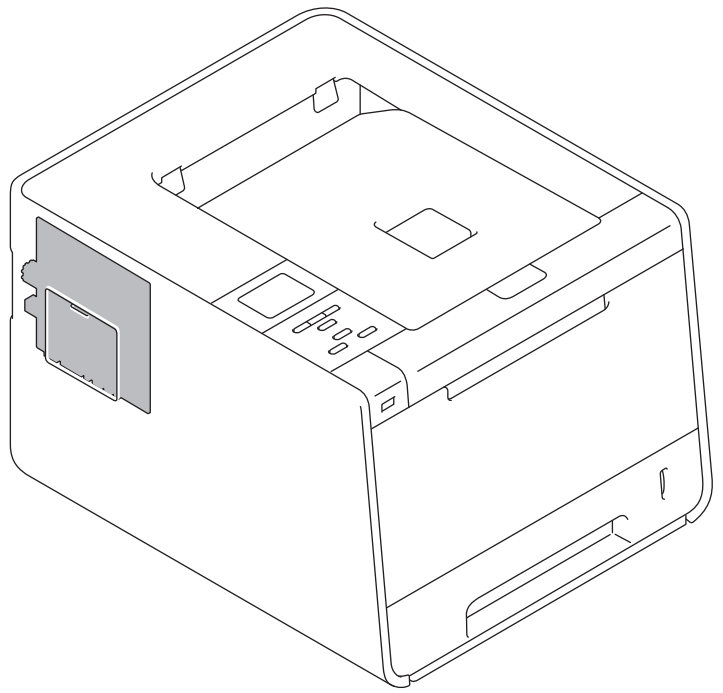


10. COVERS&LABELS

REF No.	CODE	Q'TY	DESCRIPTION	REMARKS
1	LY0416001	1	FRONT COVER	
2	LY0417001	1	FRONT COVER ARM R	
3	LY0419001	1	FRONT COVER RELEASE BUTTON	
4	LY0420001	1	FRONT COVER RELEASE BUTTON SPRING	
5	LY0418001	1	FRONT COVER ARM L	
6	LY1667001	1	TOP COVER ASSY (SP), HL-4140CN	chg
6	LY1629001	1	TOP COVER ASSY (SP), HL-4150CDN	chg
6	LY1632001	1	TOP COVER ASSY (SP), HL-4570CDW/4570CDWT	chg
6-1	LY0428002	1	PAPER STOPPER, HL-4140CN/4150CDN	
6-1	LY0428001	1	PAPER STOPPER, HL-4570CDW/4570CDWT	
6-2	LY0430001	1	PANEL COVER ASSY, HL-4140CN/4150CDN	
6-2	LY0708001	1	PANEL COVER ASSY, HL-4570CDW/4570CDWT	
6-2-1	LV0539001	1	PANEL PCB ASSY	
6-2-2	LV0531001	1	USB HOST RELAY PCB ASSY	
6-2-3	LU5693001	2	TAPTITE BIND B M4X12	
6-3	LY1550001	1	LCD ASSY, HL-4140DN	
6-3	LY0436001	1	LCD ASSY, HL-4150CDN	
6-3	LY0712001	1	LCD ASSY, HL-4570CDW/4570CDWT	
6-4	LT2155001	1	WIRELESS LAN PCB, HL-4570CDW/4570CDWT	CHG
7	LY0443001	1	SIDE COVER R ASSY	
8	LY0448001	1	SIDE COVER L	
9	LR0516003	1	ACCESS COVER	
10	LY0449001	1	BACK COVER	
11	LY0450001	1	BACK COVER STOPPER ARM L	
12	LY0451001	1	BACK COVER STOPPER ARM R	
13	LY0452001	1	MP COVER ASSY	
14	LY0456001	1	MP PAPER GUIDE ASSY	
15	LY0459001	1	MP LINK R	
16	LY0460001	1	MP LINK L	
17	LY0872001	1	LAN PORT CAP	
18	LY0465001	1	LABEL DR OPERATION	
19	LY0837001	1	COLOR LASER LABEL	
20	LY0838001	1	MP SET INSTRUCTION LABEL	
21	LY0920001	1	LABEL H/SP CAUTION REAR 49X45	
22	LY0917001	2	LABEL DR TARGET L/R	
23	LY0919001	1	LABEL H/SP CAUTION FOR US/CAN/ARG/CHL/BRA	
23	LY0939001	1	LABEL H/SP CAUTION, HL-4140CN FOR ALL COUNTRIES, HL-4150CDN EXCEPT FOR US/CAN/ARL/NZ/CHN/ARG/GUL/ BRA/SGP/KOR/IND	
23	LY1419001	1	LABEL H/SP CAUTION, HL-4150CDN/4570CDW FOR ARL/NZ/GUL/SGP/KOR/IND	
23	LY0940001	1	LABEL H/SP CAUTION, HL-4570CDW/4570CDWT EXCEPT FOR US/CAN/ARL/NZ/CHN/CHL/GUL/SGP	
23	LY1496001	1	LABEL H/SP CAUTION F 210 FOR CHN	
24	LY1306001	1	SWITCH STICKER	
25	LU5693001	4	TAPTITE BIND B M4X12	
26	085320816	2	TAPTITE BIND S M3X8	
27	LX7150003	1	EMBLEM BROTHER SHEET L	
28	087320816	4	TAPTITE CUP S M3X8	add



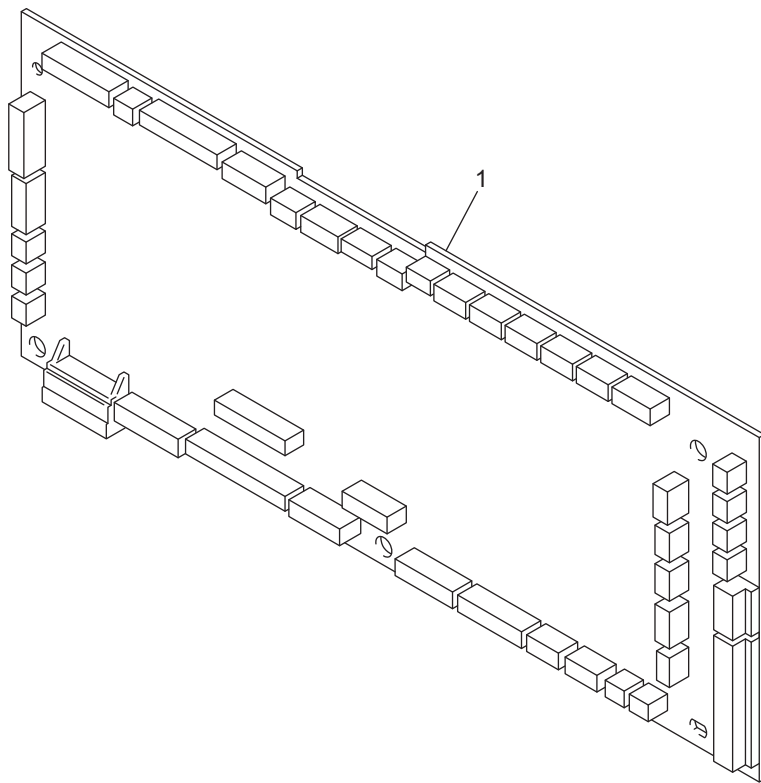
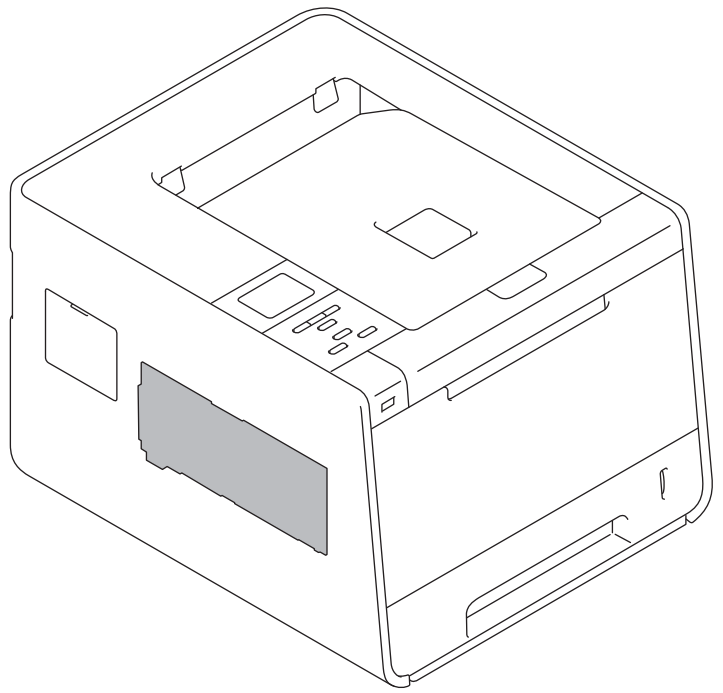
11.MAIN PCB



11. MAIN PCB

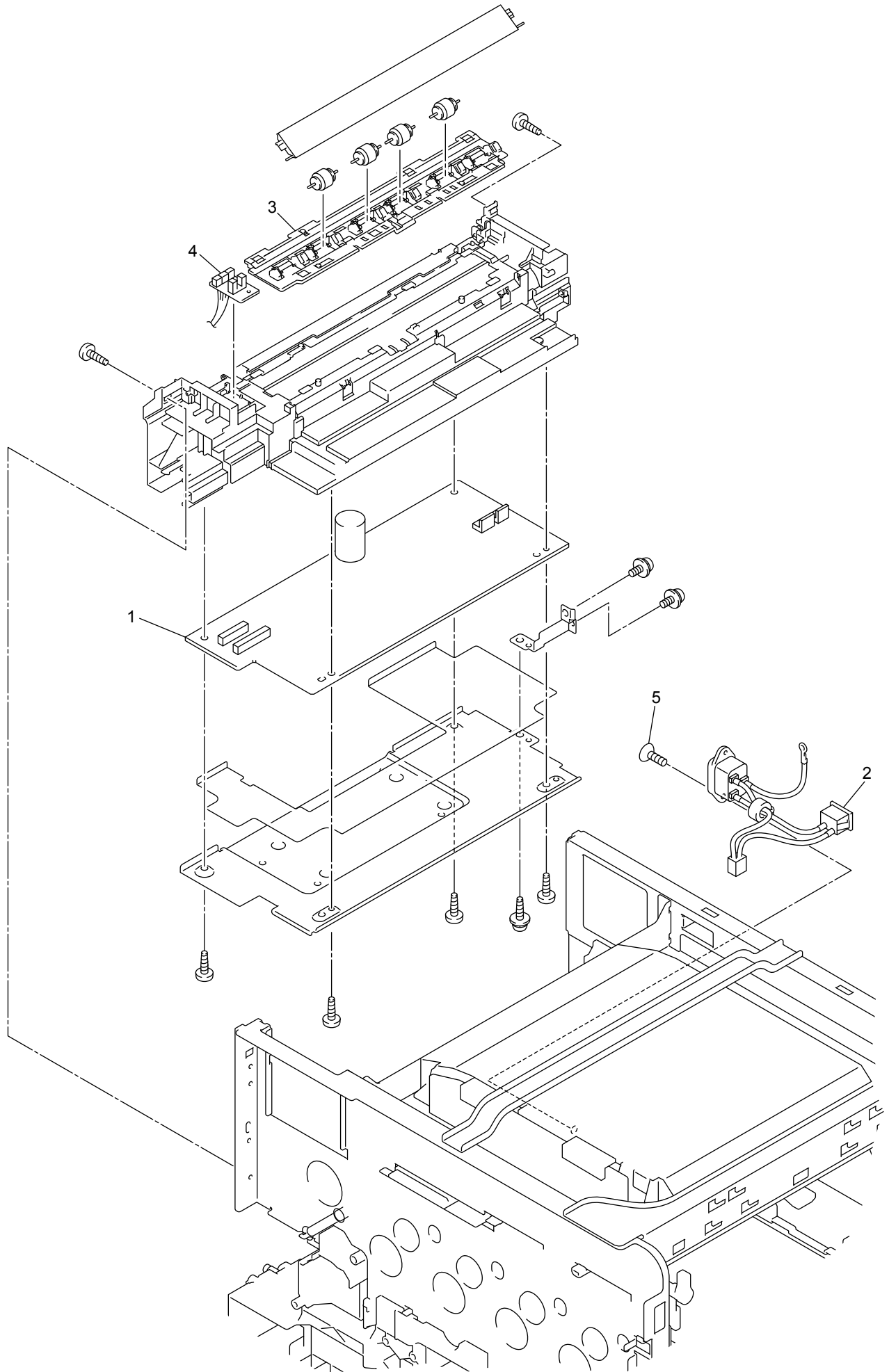
REF No.	CODE	Q'TY	DESCRIPTION	SYMBOL	REMARKS
1	LV0534003	1	MAIN PCB ASSY, HL-4140CN	B512308	
1	LV0534002	1	MAIN PCB ASSY, HL-4150CDN	B512308	
1	LV0534001	1	MAIN PCB ASSY, HL-4570CDW/4570CDWT	B512308	

12.ENGINE PCB



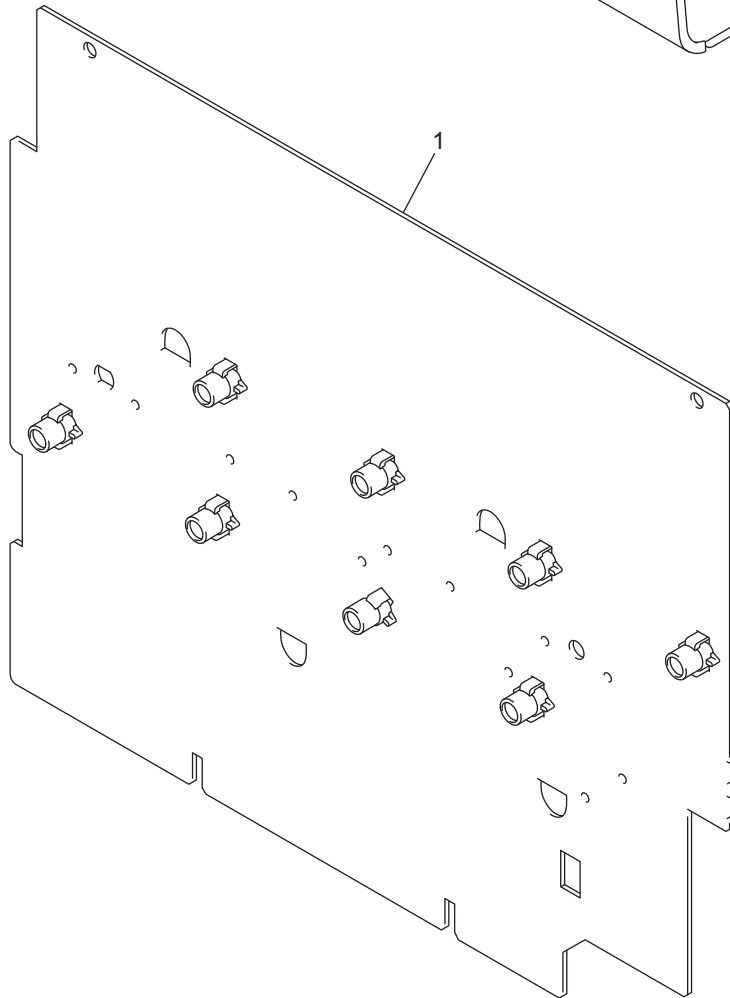
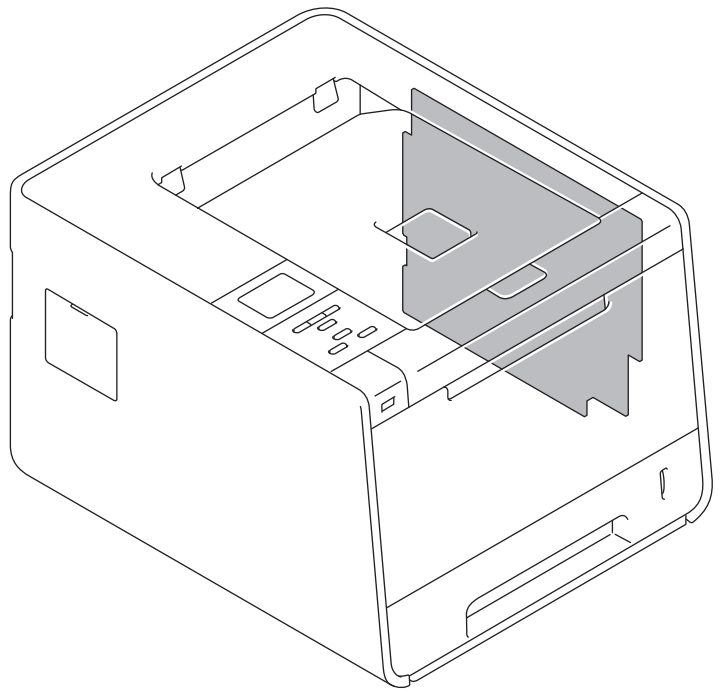
12. ENGINE PCB

REF No.	CODE	Q'TY	DESCRIPTION	SYMBOL	REMARKS
1	LV0535001	1	ENGINE PCB ASSY	B512320	



13. LVPS

REF No.	CODE	Q'TY	DESCRIPTION	REMARKS
1	LV0524001	1	LOW-VOLTAGE POWER SUPPLY PCB ASSY 115V FOR US/CAN/BRA	
1	LV0511001	1	LOW-VOLTAGE POWER SUPPLY PCB ASSY 230V EXCEPT FOR US/CAN/CHN/BRA/IND/RUS	
1	LT1359001	1	LOW-VOLTAGE POWER SUPPLY PCB ASSY 230V FOR CHN/IND/RUS	
2	LV0528001	1	INLET HARNESS ASSY	
3	LY0954001	1	CLEANER PINCH ROLLER HOLDER	
4	LV0529001	1	PAPER EJECT SENSOR PCB ASSY	
5	084311016	1	TAPTITE FLAT B M3X10	

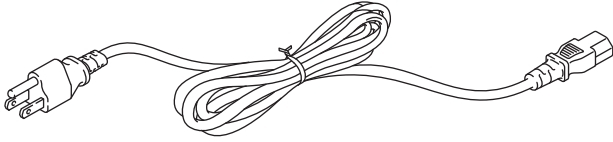
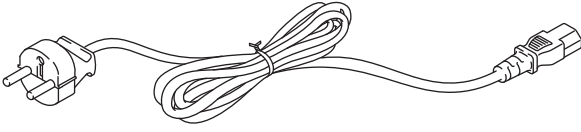
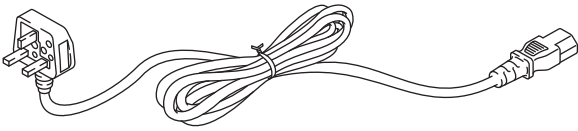

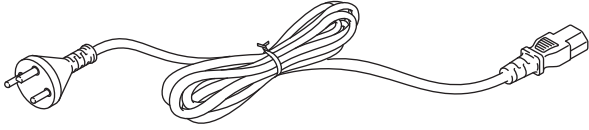
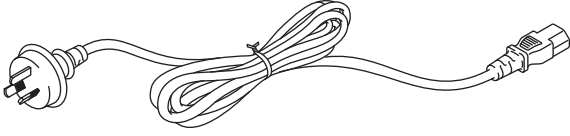


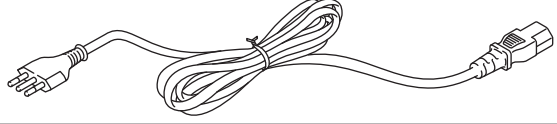
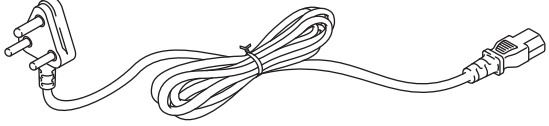

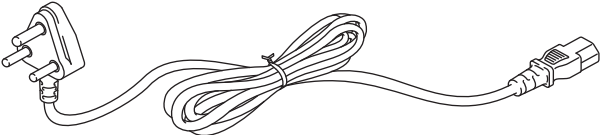
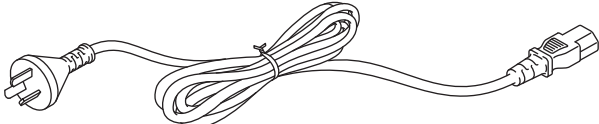


14. HVPS

REF No.	CODE	Q'TY	DESCRIPTION	REMARKS
1	LY0641001	1	HIGH-VOLTAGE POWER SUPPLY PCB ASSY	



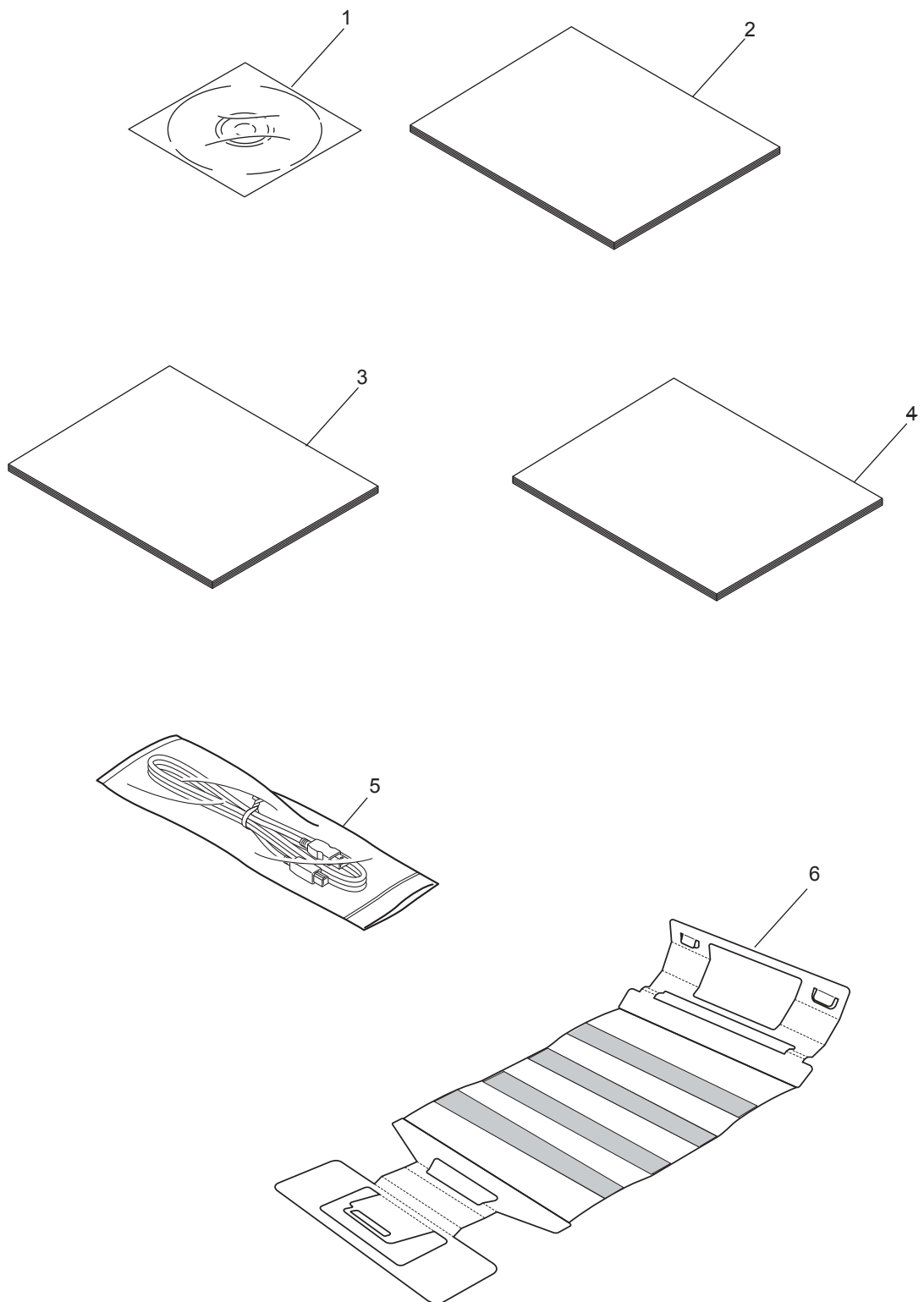
15.AC CORDS

1	
2	
3	
4	
5	
6	
7	
8	
9	
10	
11	
12	
13	

15. AC CORD

REF No.	CODE	Q'TY	DESCRIPTION	REMARKS
1	LM9362001	1	AC CORD BAG ASSY LF UL/CSA 13A	
1	LV0388001	1	AC CORD BAG ASSY LF PERU	add
2	LV0364001	1	AC CORD BAG ASSY LF VDE S	
3	LV0368001	1	AC CORD BAG ASSY LF BS/PSB S	chg
4	LT2259001	1	AC CORD BAG ASSY LF SEV	chg
5	LG4720001	1	AC CORD BAG ASSY LF DEMKO	
6	LV0366001	1	AC CORD BAG ASSY LF SAA S	
7	LV0988001	1	AC CORD BAG ASSY LF BRZ AC	chg
8	LT0925001	1	AC CORD BAG ASSY LF IRAM	
9	LG6207001	1	AC CORD BAG ASSY LF CHILE	
10	LG6404001	1	AC CORD BAG ASSY LF SAF	
11	LT0935001	1	AC CORD BAG ASSY LF KOR S	CHG
12	LT0613001	1	AC CORD BAG ASSY LF IND	
13	LV1093001	1	AC CORD BAG ASSY LF CHN	chg

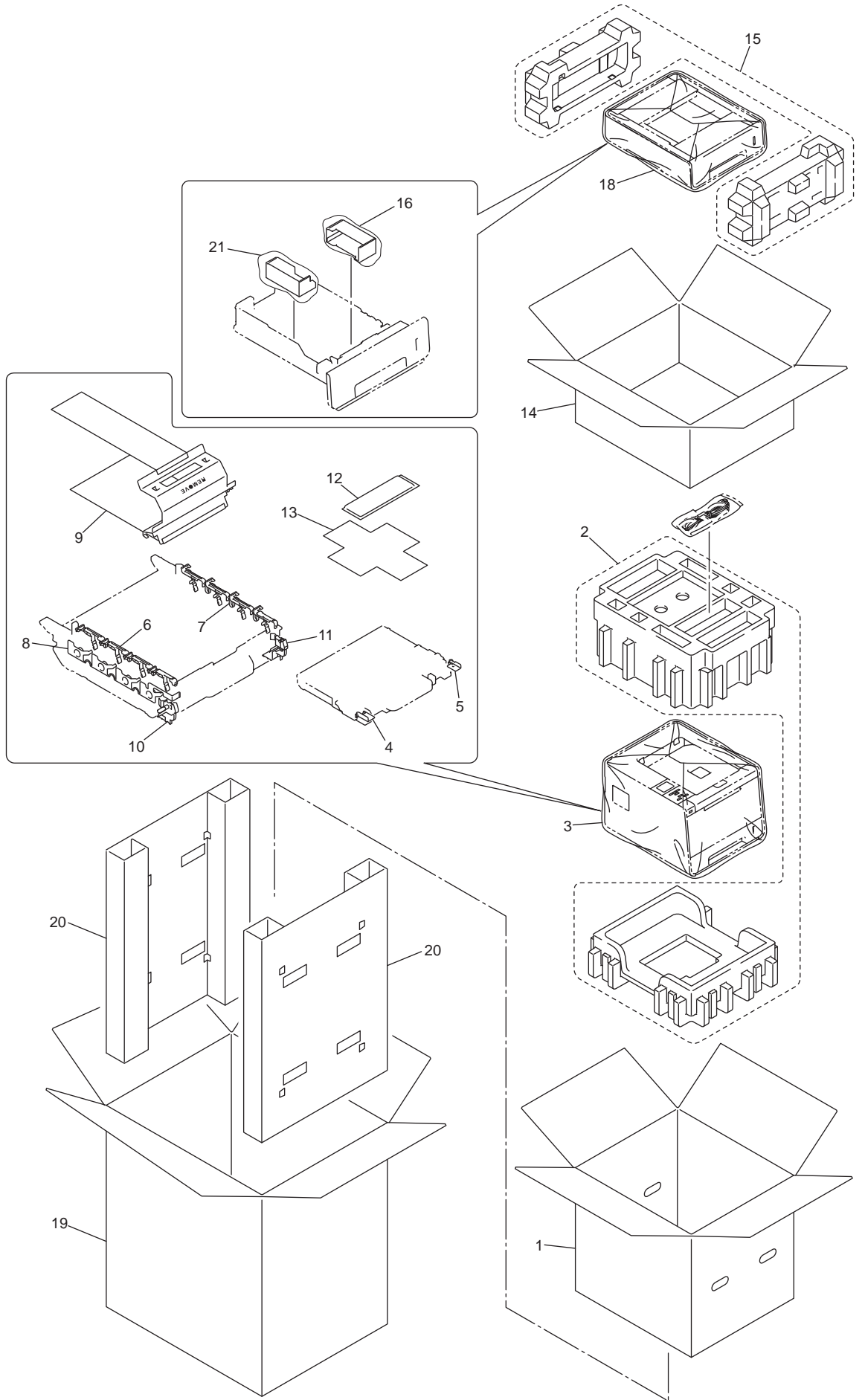
16.ACCESSORIES



16. ACCESSORIES

REF No.	CODE	Q'TY	DESCRIPTION	REMARKS
1	LY1727001	1	CDROM ASSY, HL-4150CDN FOR US	chg
1	LY1732001	1	CDROM ASSY, HL-4140CN/4570CDW/4570CDWT EXCEPT FOR CHN/GUL/CEE, HL-4150CDN EXCEPT FOR US/CHN/GUL/KOR/RUS/CEE	chg
1	LY1730001	1	CDROM ASSY FOR CHN	chg
1	LY1728001	1	CDROM ASSY FOR GUL/RUS/CEE	chg
1	LY1731001	1	CDROM ASSY FOR KOR	chg
2	LY1514001	1	SET GUIDE, HL-4140CN/4150CDN FOR US/CAN/UK/ARL/NZ/GUL/SGP/IND/CEE (ENGLISH)	
2	LY1516001	1	SET GUIDE, HL-4150CDN FOR CAN (FRENCH)	
2	LY1518001	1	SET GUIDE, HL-4140CN/4150CDN FOR GER/CHE (GERMAN)	
2	LY1520001	1	SET GUIDE, HL-4140CN/4150CDN FOR CHE/FRA/BEL/NLD (FRENCH)	
2	LY1522001	1	SET GUIDE, HL-4140CN/4150CDN FOR CHE/ITA (ITALIAN)	
2	LY1153001	1	SET GUIDE, HL-4150CDN FOR CHN	
2	LY1524001	1	SET GUIDE, HL-4140CN/4150CDN FOR ARG/IBR (SPANISH)	
2	LY1151001	1	SET GUIDE, HL-4150CDN FOR GUL (TURKISH)	
2	LY1136001	1	SET GUIDE, HL-4150CDN FOR BRA	
2	LY1152001	1	SET GUIDE, HL-4150CDN FOR KOR	
2	LY1147001	1	SET GUIDE, HL-4150CDN FOR RUS	
2	LY1528001	1	SET GUIDE, HL-4140CN/4150CDN FOR FRA/BEL/NLD (DUTCH)	
2	LY1532001	1	SET GUIDE, HL-4140CN/4150CDN FOR PND (DANISH)	
2	LY1530001	1	SET GUIDE, HL-4140CN/4150CDN FOR PND (FINNISH)	
2	LY1534001	1	SET GUIDE, HL-4140CN/4150CDN FOR PND (NORWEGIAN)	
2	LY1536001	1	SET GUIDE, HL-4140CN/4150CDN FOR PND (SWEDISH)	
2	LY1526001	1	SET GUIDE, HL-4140CN/4150CDN FOR IBR (PORTUGUESE)	
2	LY1148001	1	SET GUIDE, HL-4140CN/4150CDN FOR CEE (ROMANIAN/SLOVAK)	
2	LY1150001	1	SET GUIDE, HL-4140CN/4150CDN FOR CEE (CZECH/HUNGARIAN)	
2	LY1149001	1	SET GUIDE, HL-4140CN/4150CDN FOR CEE (POLISH/BULGARIAN)	
2	LY1515001	1	SET GUIDE, HL-4570CDW/4570CDWT FOR US/CAN/UK/ARL/NZ/GUL/SGP (ENGLISH)	
2	LY1517001	1	SET GUIDE, HL-4570CDW FOR CAN (FRENCH)	
2	LY1519001	1	SET GUIDE, HL-4570CDW/4570CDWT FOR GER/CHE (GERMAN)	
2	LY1521001	1	SET GUIDE, HL-4570CDW/4570CDWT FOR CHE/FRA/BEL/NLD (FRENCH)	
2	LY1523001	1	SET GUIDE, HL-4570CDW/4570CDWT FOR CHE/ITA (ITALIAN)	
2	LY1185001	1	SET GUIDE, HL-4570CDW FOR CHN	
2	LY1525001	1	SET GUIDE, HL-4570CDW/4570CDWT FOR CHL/IBR (SPANISH)	
2	LY1527001	1	SET GUIDE, HL-4570CDW/4570CDWT FOR IBR (PORTUGUESE)	
2	LY1184001	1	SET GUIDE, HL-4570CDW FOR GUL (TURKISH)	
2	LY1529001	1	SET GUIDE, HL-4570CDW/4570CDWT FOR FRA/BEL/NDL (DUTCH)	
2	LY1533001	1	SET GUIDE, HL-4570CDW/4570CDWT FOR PND (DANISH)	
2	LY1531001	1	SET GUIDE, HL-4570CDW/4570CDWT FOR PND (FINNISH)	
2	LY1535001	1	SET GUIDE, HL-4570CDW/4570CDWT FOR PND (NORWEGIAN)	
2	LY1537001	1	SET GUIDE, HL-4570CDW/4570CDWT FOR PND (SWEDISH)	
2	LY1182001	1	SET GUIDE, HL-4570CDW/4570CDWT FOR CEE (ENGLISH/CZECH/HUNGARIAN/POLISH)	
2	LY1183001	1	SET GUIDE, HL-4570CDW/4570CDWT FOR CEE (BULGARIAN/ROMANIAN/SLOVAK)	
3	LY1556001	1	SET GUIDE LT, HL-4570CDWT	
4	<del>LX4375001</del>	4	<del>SAFETY/LEGAL BOOKLET FOR US/CAN (ENGLISH)</del>	del
4	<del>LX4497001</del>	4	<del>SAFETY/LEGAL BOOKLET FOR CAN (FRENCH)</del>	del
4	<del>LX4465001</del>	4	<del>SAFETY/LEGAL BOOKLET FOR GER/CHE (GERMAN)</del>	del
4	<del>LX4470001</del>	4	<del>SAFETY/LEGAL BOOKLET FOR UK</del>	del
4	<del>LX4631001</del>	4	<del>SAFETY/LEGAL BOOKLET FOR ARL/NZ/GUL/SGP/IND (ENGLISH)</del>	del
4	<del>LX4479001</del>	4	<del>SAFETY/LEGAL BOOKLET FOR CHE/FRA/BEL/NLD (FRENCH)</del>	del
4	<del>LX4489001</del>	4	<del>SAFETY/LEGAL BOOKLET FOR ITA</del>	del
4	<del>LX4788001</del>	4	<del>SAFETY/LEGAL BOOKLET FOR CHN</del>	del
4	<del>LX4805001</del>	4	<del>SAFETY/LEGAL BOOKLET FOR GUL (TURKISH)</del>	del
4	<del>LY1209001</del>	4	<del>SAFETY/LEGAL BOOKLET FOR BRA</del>	del
4	<del>LY1227001</del>	4	<del>SAFETY/LEGAL BOOKLET FOR KOR</del>	del
4	<del>LX4784001</del>	4	<del>SAFETY/LEGAL BOOKLET FOR RUS</del>	del
4	<del>LX4480001</del>	4	<del>SAFETY/LEGAL BOOKLET FOR FRA/BEL/NLD (DUTCH)</del>	del
4	<del>LX4597001</del>	4	<del>SAFETY/LEGAL BOOKLET FOR PND</del>	del
4	<del>LX4490001</del>	4	<del>SAFETY/LEGAL BOOKLET FOR ARG/CHL/IBR (SPANISH)</del>	del
4	<del>LX4491001</del>	4	<del>SAFETY/LEGAL BOOKLET FOR IBR (PORTUGUESE)</del>	del
4	<del>LX4739001</del>	4	<del>SAFETY/LEGAL BOOKLET FOR CEE</del>	del
5	LJ9803001	1	USB CABLE 2.0 EXCEPT FOR KOR	
5	LV1518001	1	USB CABLE 2.0 FOR KOR	ADD
6	LY1506001	1	DRUM CLEANING SHEET KIT	

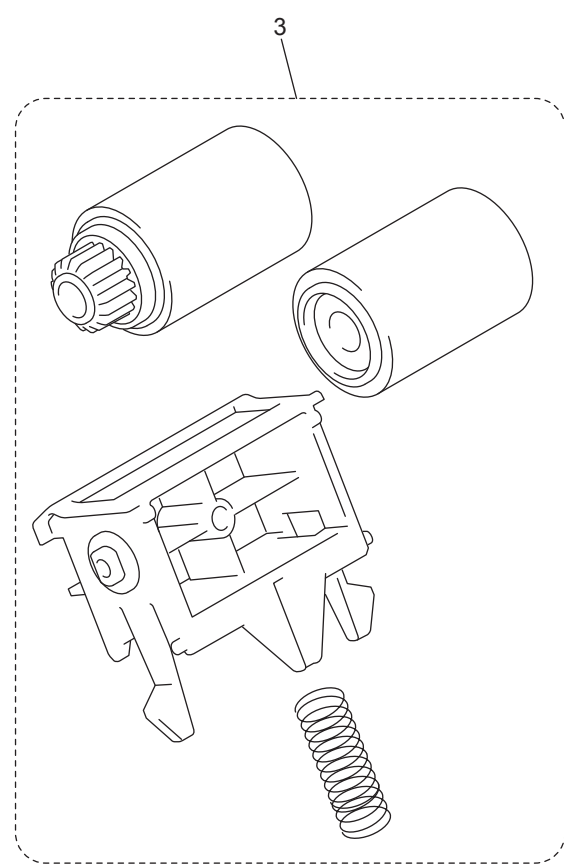
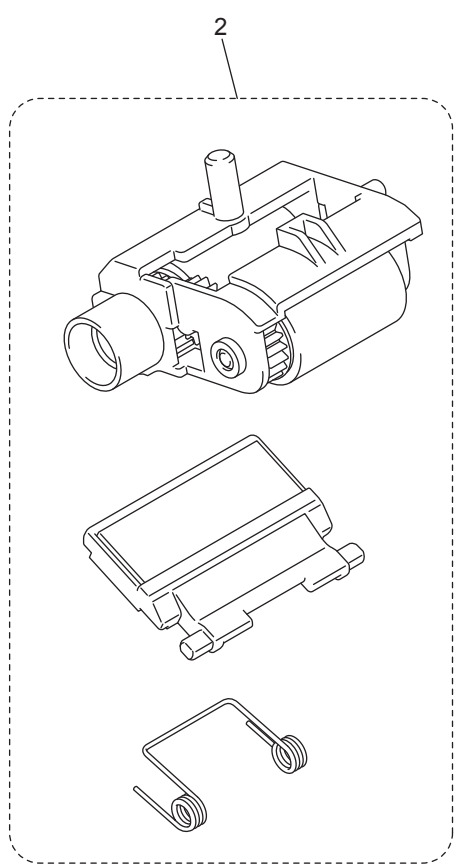
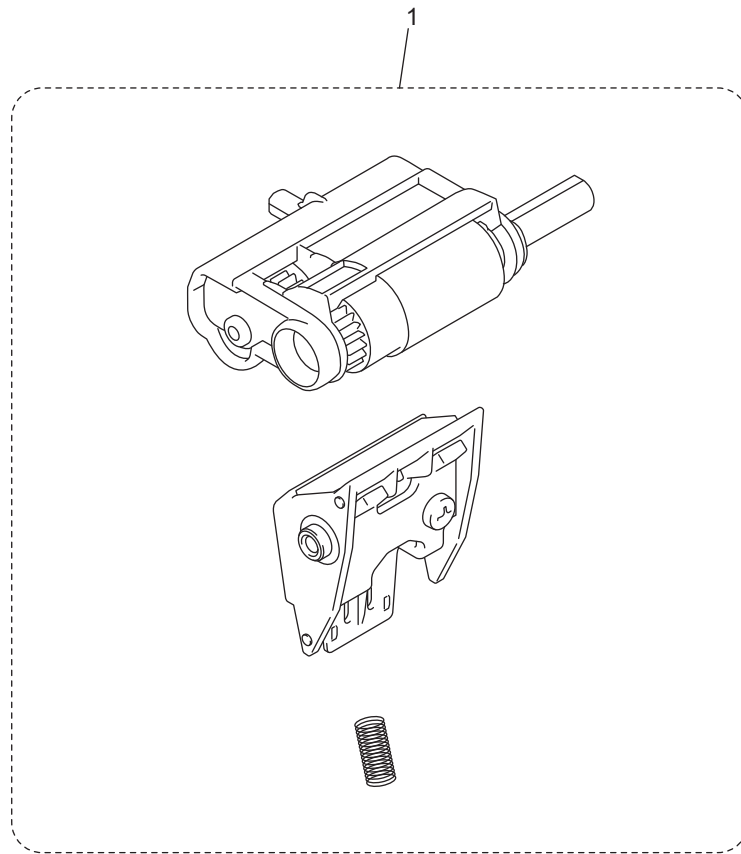
17.PACKING MATERIALS



17. PACKING MATERIALS

REF No.	CODE	Q'TY	DESCRIPTION	REMARKS
1	LY1199001	1	CARTON, HL-4140CN	
1	LY1110001	1	CARTON, HL-4150CDN FOR US	
1	LY1109001	1	CARTON, HL-4150CDN FOR CAN	
1	LY1198001	1	CARTON, HL-4150CDN FOR GER/UK/CHE/ITA/RUS/FRA/BEL/NLD/PND/IBR/CEE	
1	LY1401001	1	CARTON, HL-4150CDN FOR ARL/NZ	
1	LY1444001	1	CARTON, HL-4150CDN FOR CHN	
1	LY1321001	1	CARTON, HL-4150CDN FOR ARG	
1	LY1400001	1	CARTON, HL-4150CDN FOR GUL/SGP/IND	
1	LY1319001	1	CARTON, HL-4150CDN FOR BRA	
1	LY1540001	1	CARTON, HL-4150CDN FOR KOR	
4	<del>LY1428001</del>	4	<del>CARTON, HL-4150CDN FOR IND</del>	del
1	LY1322001	1	CARTON, HL-4570CDW/4570CDWT FOR US	
1	LY1326001	1	CARTON, HL-4570CDW FOR CAN	
1	LY1200001	1	CARTON, HL-4570CDW/4570CDWT FOR GER/UK/CHE/ITA/FRA/BEL/NLD/PND/IBR/CEE	
1	LY1403001	1	CARTON, HL-4570CDW FOR ARL/NZ	
1	LY1445001	1	CARTON, HL-4570CDW FOR CHN	
1	LY1328001	1	CARTON, HL-4570CDW FOR CHL	
1	LY1402001	1	CARTON, HL-4570CDW FOR GUL/SGP	
2	LY0643001	1	POLYSTYRENE PAD ASSY	
3	LY1721001	1	PE BAG 1000X1000	chg
4	LY0908001	1	CLEANER LOCK L	
5	LY0909001	1	CLEANER LOCK R	
6	LY0896001	1	DEVELOP SPACER L (ORANGE PACKING PIECE)	
7	LY0897001	1	DEVELOP SPACER R (ORANGE PACKING PIECE)	
8	LY0898001	1	DEVELOP STOPPER (ORANGE PACKING PIECE)	
9	LY0899001	1	REMOVE SHEET BC ASSY (ORANGE PACKING MATERIAL)	
10	LY0903001	1	DRUM STOPPER L (ORANGE PACKING PIECE)	
11	LY0904001	1	DRUM STOPPER R (ORANGE PACKING PIECE)	
12	LY1679001	1	SILICA GEL PACK EXCEPT FOR US/CAN/ARG/CHL/BRA	CHG
12	LY1678001	1	SILICA GEL PACK FOR US/CAN/ARG/CHL/BRA	CHG
43	<del>LY1395001</del>	4	<del>SILICA GEL SHEET EXCEPT FOR HL-4150CDN FOR KOR</del>	DEL
13	LR2296001	1	SILICA GEL SHEET	add
14	LY1122001	1	T2 CARTON, HL-4570CDWT	
15	LY0690001	1	T2 STYROFOAM PAD ASSY, HL-4570CDWT	
16	LY5864001	1	PAPER TRAY HOLD PAD S ASSY (SP), HL-4570CDWT	chg
47	<del>LE3593001</del>	4	<del>BAG 190X290H P, HL-4570CDWT</del>	del
18	LJ5584001	1	BAG 700X800H, HL-4570CDWT	
19	LY1329001	1	CARTON OUTER, HL-4570CDWT FOR US	
19	LY1171001	1	CARTON OUTER, HL-4570CDWT EXCEPT FOR US	
20	LY0833001	2	CARTON SPACER, HL-4570CDWT	
21	LU6727001	1	PAPER TRAY HOLD PAD L ASSY (SP), HL-4570CDWT	add

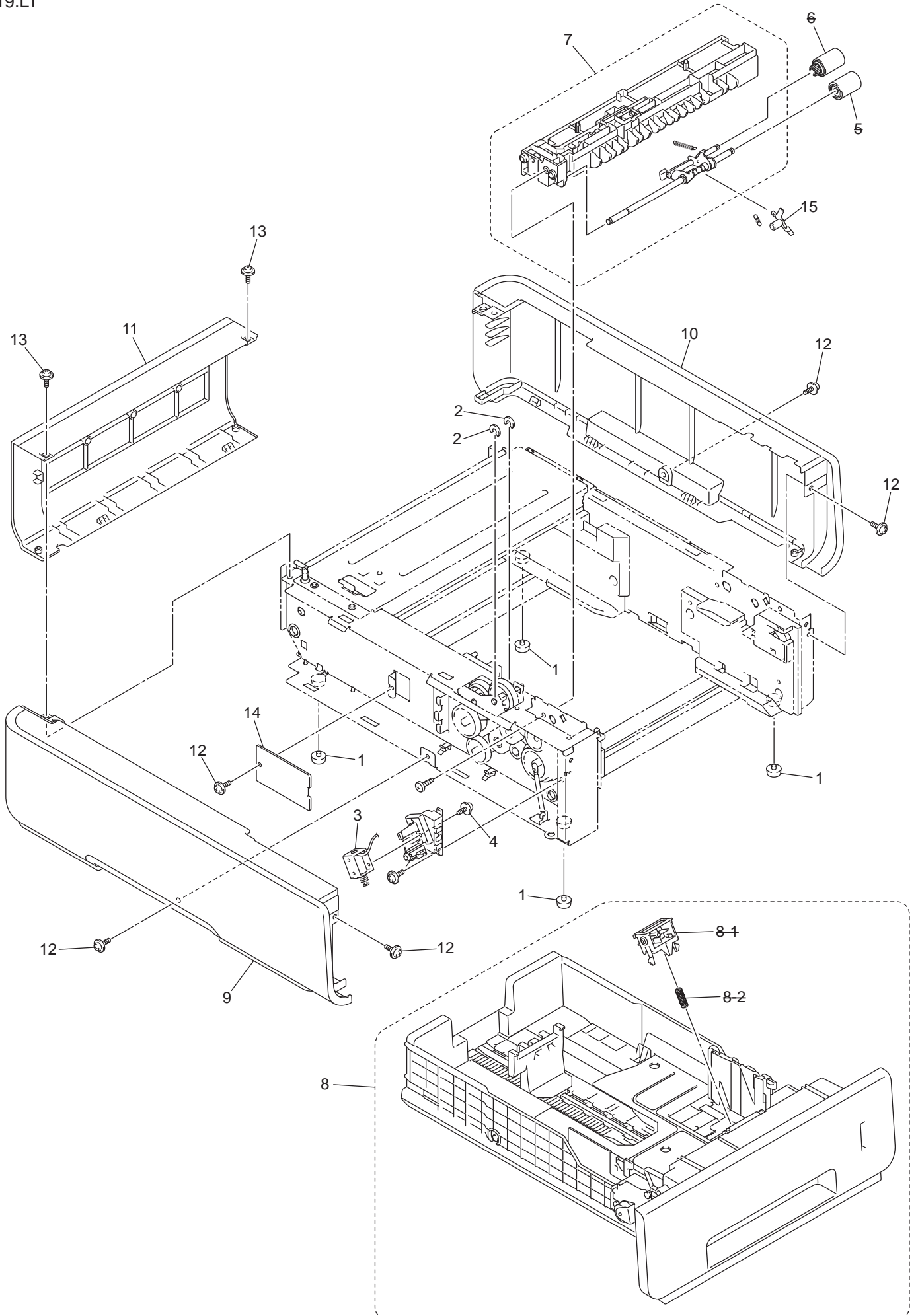
18.PERIODICAL MAINTENANCE PARTS



18.PERIODICAL MAINTENANCE PARTS

REF No.	CODE	Q'TY	DESCRIPTION	REMARKS
1	LY1257001	1	PAPER FEEDING KIT 1 (SP)	
2	LY1260001	1	MP PAPER FEEDING KIT (SP)	
3	LY1548001	1	PAPER FEEDING KIT 2 (SP)	





REF No.	CODE	Q'TY	DESCRIPTION	SYMBOL	REMARKS
1	UH2208001	4	RUBBER FOOT, HL-4570CDWT		
2	LJ1175001	2	COLLAR 6, HL-4570CDWT		
3	LJ9503001	1	T2 SOLENOID ASSY, HL-4570CDWT		
4	U11776001	1	SCREW FLANGED M3X3.5		
5	<del>LM3454002</del>	4	<del>T2 SEPARATION ROLLER ASSY, HL-4570CDWT*</del>		del
6	<del>LU0496002</del>	4	<del>T2 PAPER FEED ROLLER ASSY 1, HL-4570CDWT*</del>		del
7	LY0669001	1	T2 PAPER FEED FRAME UNIT, HL-4570CDWT		
8	LY1674001	1	T2 PAPER TRAY UNIT (SP), HL-4570CDWT		chg
<del>8-1</del>	<del>LY0952004</del>	4	<del>T2 SEPARATION PAD ASSY, HL-4570CDWT*</del>		del
<del>8-2</del>	<del>LY0679004</del>	4	<del>T2 SEPARATION PAD SPRING, HL-4570CDWT*</del>		del
9	LY0686001	1	T2 COVER LEFT, HL-4570CDWT		
10	LY0687001	1	T2 COVER RIGHT, HL-4570CDWT		
11	LY0688001	1	T2 COVER REAR, HL-4570CDWT		
12	LU5691001	5	TAPTITE CUP S M3X6 SR		
13	LY0811001	2	TAPTITE CUP S M3X10 SR		
14	LM9024001	1	T2 RELAY PCB ASSY, HL-4570CDWT	B512183	
15	LY0667001	1	EDGE ACTUATOR BC		add

\*REF No. 5, 6, 8-1 and 8-2 were assembled as PAPER FEEDING KIT 2 (SP)  
(LY1548001) listed on "18 PERIODICAL MAINTENANCE PARTS".  
When ordering these parts, please order LY1548001.