

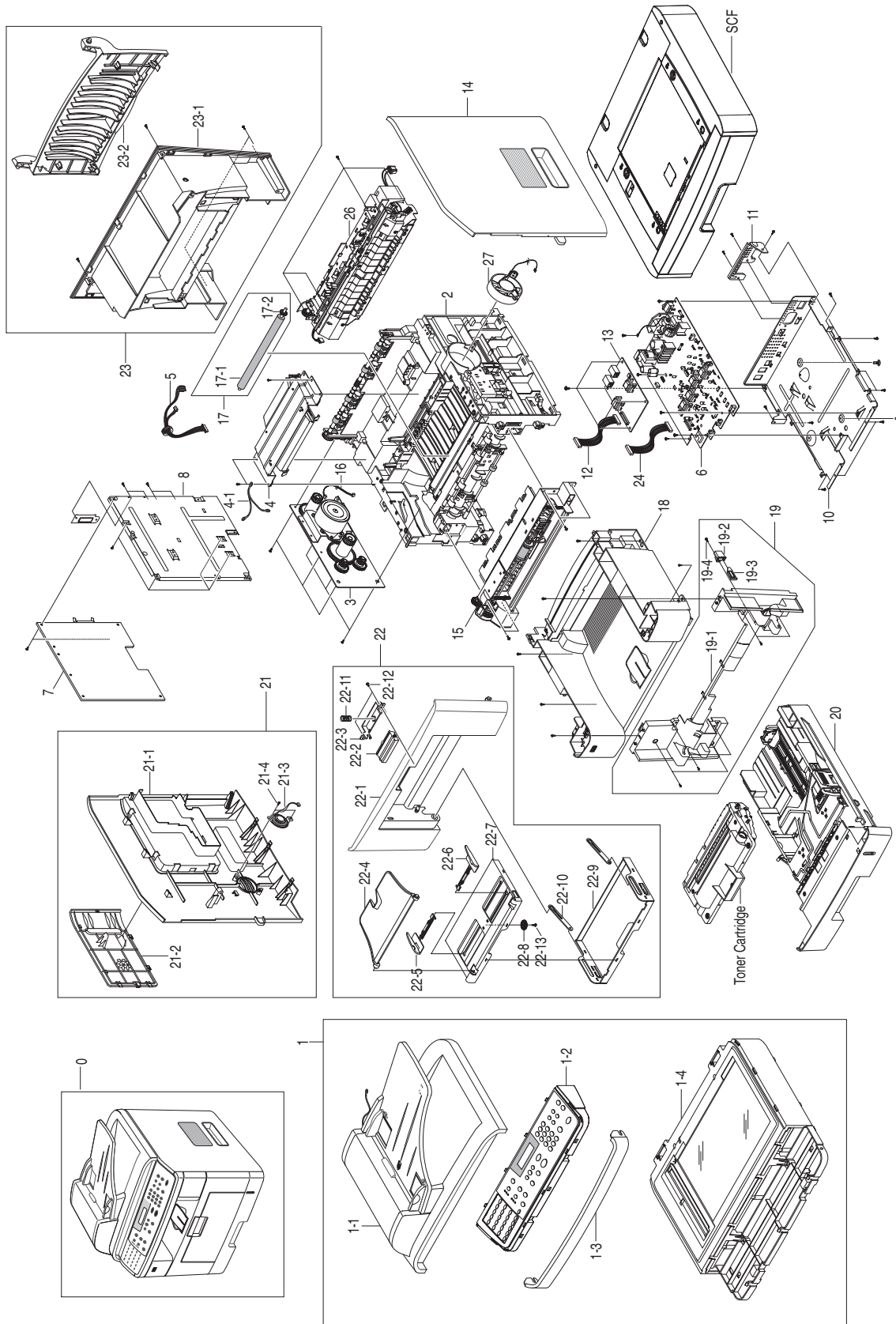
# 8 Parts List

## Contents

---

- 8.1 Main Assembly
- 8.2 Main Drive Assembly
- 8.3 ADF Assembly
- 8.4 Control Panel OPE Assembly
- 8.5 Scanner Assembly
- 8.6 Middle Cover Assembly
- 8.7 Frame Assembly
- 8.8 Fuser Unit Assembly
- 8.9 MP Assembly
- 8.10 Tray 1 (Cassette) Unit Assembly
- 8.11 Tray 2 (SCF - Optional Cassette) Unit Assembly

# 8.1 Main Assembly



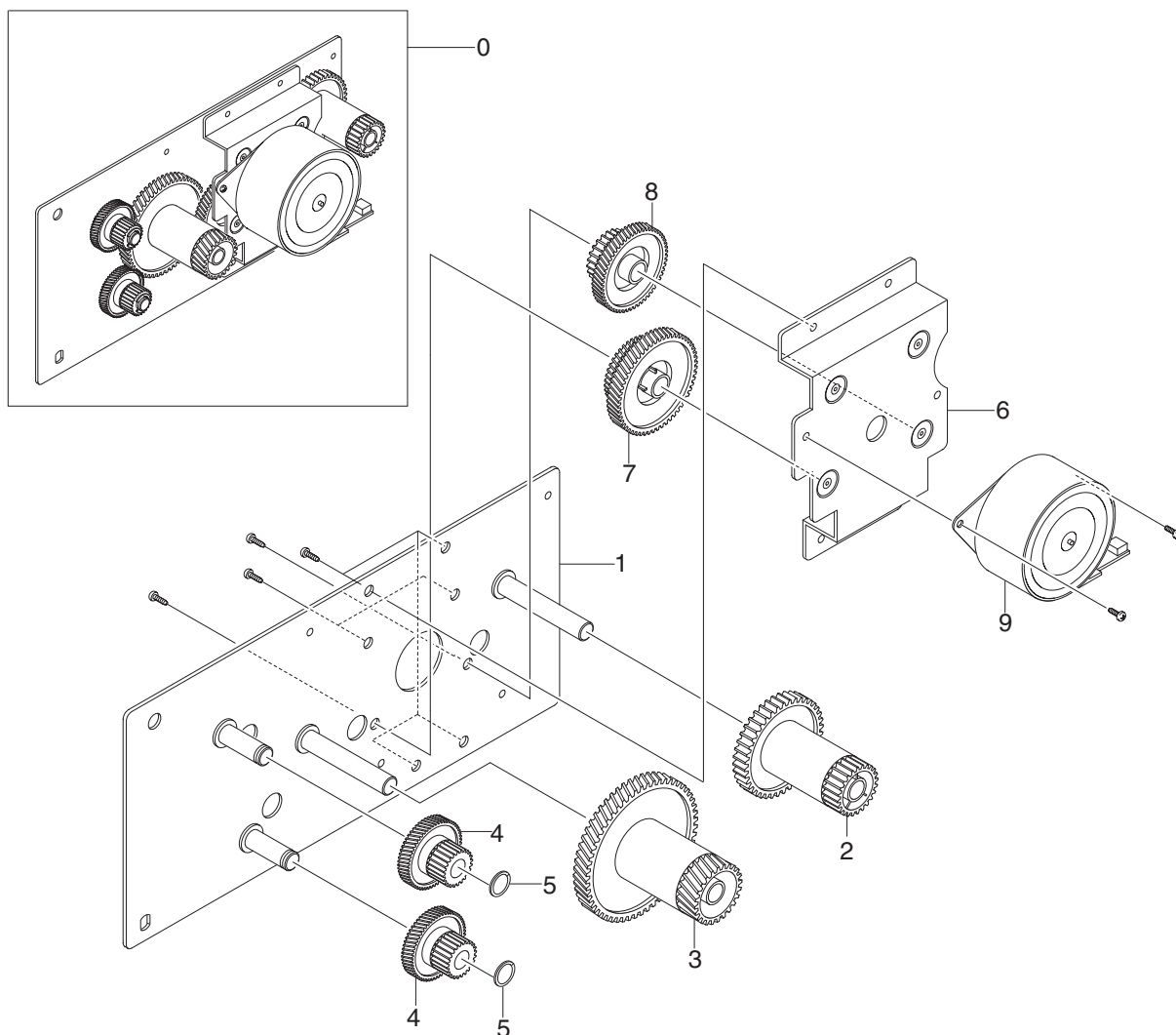
## Main Assembly Parts List 8.1

No.	Part Name and (part description)	Qty	Part number	Remark
0	WorkCentre PE120/120i SYSTEM	1		N/S
1	ELA HOU-SCAN	1		N/S
1-1	ELA HOU-ADF	1	002N02331	
1-2	ELA HOU-OPE (XEROX CONTROL PANEL)	1	002N02332	
1-3	COVER-M-OPE FRONT	1		N/S
1-4	ELA HOU PLATEN	1	002N02333	
2	ELA HOU-UNIT FRAME 110_V	1	002N02353	110 V
	ELA HOU-UNIT FRAME 220_V	1	002N02352	220 V
3	ELA HOU RX DRIVE (see PL 8.2)	1	007N01270	
4	UNIT LSU (Laser)	1	122N00228	
4-1	CBF HARNESS-LSU GROUND	1		N/S
5	CBF-HARNESS LSU	1	152N11572	
6	SMPS-HVPS-110_V	1	105N02044	
	SMPS-HVPS-220_V	1	105N02043	
7	PBA MAIN-MAIN CONTROLLER 4 IN 1	1	140N62941	
	PBA MAIN-MAIN CONTROLLER 5 IN 1	1	140N62942	
8	SHIELD-P-CONTROLLER	1		N/S
9	BRACKET-P-DUMMY CTRL	1		N/S
10	MEA UNIT-SHIELD ENGINE	1		N/S
11	BRACKET-P-INLET	1	030N00654	
12	CBF HARNESS-HIGH LIU	1	152N11573	
13	PBA LIU USA/Canada/Eastern Europe/Saudi Arabia/ India/South America	1	140N62943	
13	PBA LIU Western Europe	1	140N62947	
13	PBA LIU Australia	1	140N62948	
13	PBA LIU South Africa	1	140N62949	
14	COVER-M-SIDE-R	1	002N02334	
15	ELA UNIT-MP	1	002N02085	
16	CBF-HARNESS-MOTOR	1	152N11577	
17	MEA ETC-TR	1	002N02079	
17-1	ROLLER TRANSFER R2	1		N/S
17-2	GEAR TRANSFER	1		N/S
18	MEA UNIT-COVER MIDDLE	1	002N02335	
19	MEA UNIT COVER MID FRONT	1	002N02336	
19-1	COVER M MID FRONT	1		N/S
19-2	CAP M SUB ACTUATOR	1		N/S
19-3	PMO M SUB ACTUATOR	1		N/S
19-4	SCREW TAPTITE	1		N/S
20	MEA UNIT-CASSETTE (USA)	1	050N00451	USA
21	ELA HOU COVER SIDE L	1	002N02337	
21-1	COVER SIDE L	1		N/S
21-2	COVER DIMM	1		N/S
21-3	SPEAKER	1		N/S
21-4	SCREW TAPTITE	2		
22	MEA COVER FRONT	1	002N02336	
22-1	COVER M FRONT	1		N/S
22-2	KNOB M LOCKER	1		N/S
22-3	HOLER M LOCKER	1		N/S

*Parts List*

<b>No.</b>	<b>Part Name and (part description)</b>	<b>Qty</b>	<b>Part number</b>	<b>Remark</b>
22-4	TRAY M EXIT MP	1		N/S
22-5	ADJUST M MP L	1		N/S
22-6	ADJUST M MP R	1		N/S
22-7	TRAY M COVER MP	1		N/S
22-8	GEAR PINION	1		N/S
22-9	TRAY M CASE MP	1		N/S
22-10	TRAY M LINK MP	2		N/S
22-11	SPRING CIS (2)	1		N/S
22-12	SCREW TAPTITE	2		N/S
22-13	SCREW TAPTITE	1		N/S
23	MEA UNIT COVER REAR	1	002N02338	
23	MEA UNIT COVER REAR, 3 IN 1	1	002N02339	
23-1	COVER M REAR	1		N/S
23-2	COVER FACE UP	1		N/S
24	CBF HARNESS-ENGINE	1	152N11574	
25	CBF HARNESS MODULAR JACK	1	152N02000	
26	ELA HOU-FUSER 110_V	1	126N00233	110 V
26	ELA HOU-FUSER 220_V	1	126N00232	220 V
27	FAN DC	1	127N07328	
	ELA TONER UNIT (IMAGING UNIT/ DEVELOPER	1		

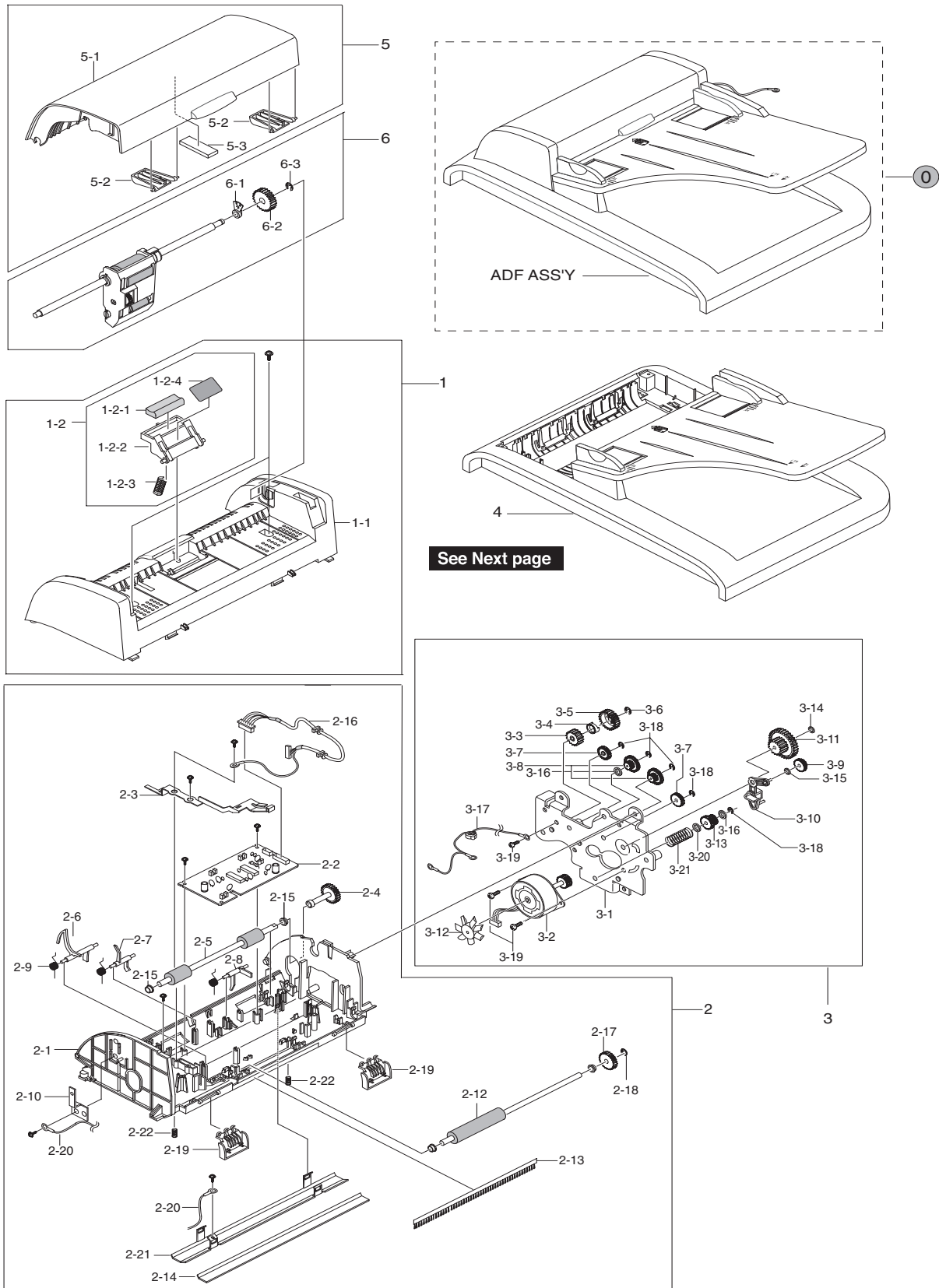
## 8.2 Main Drive Assembly

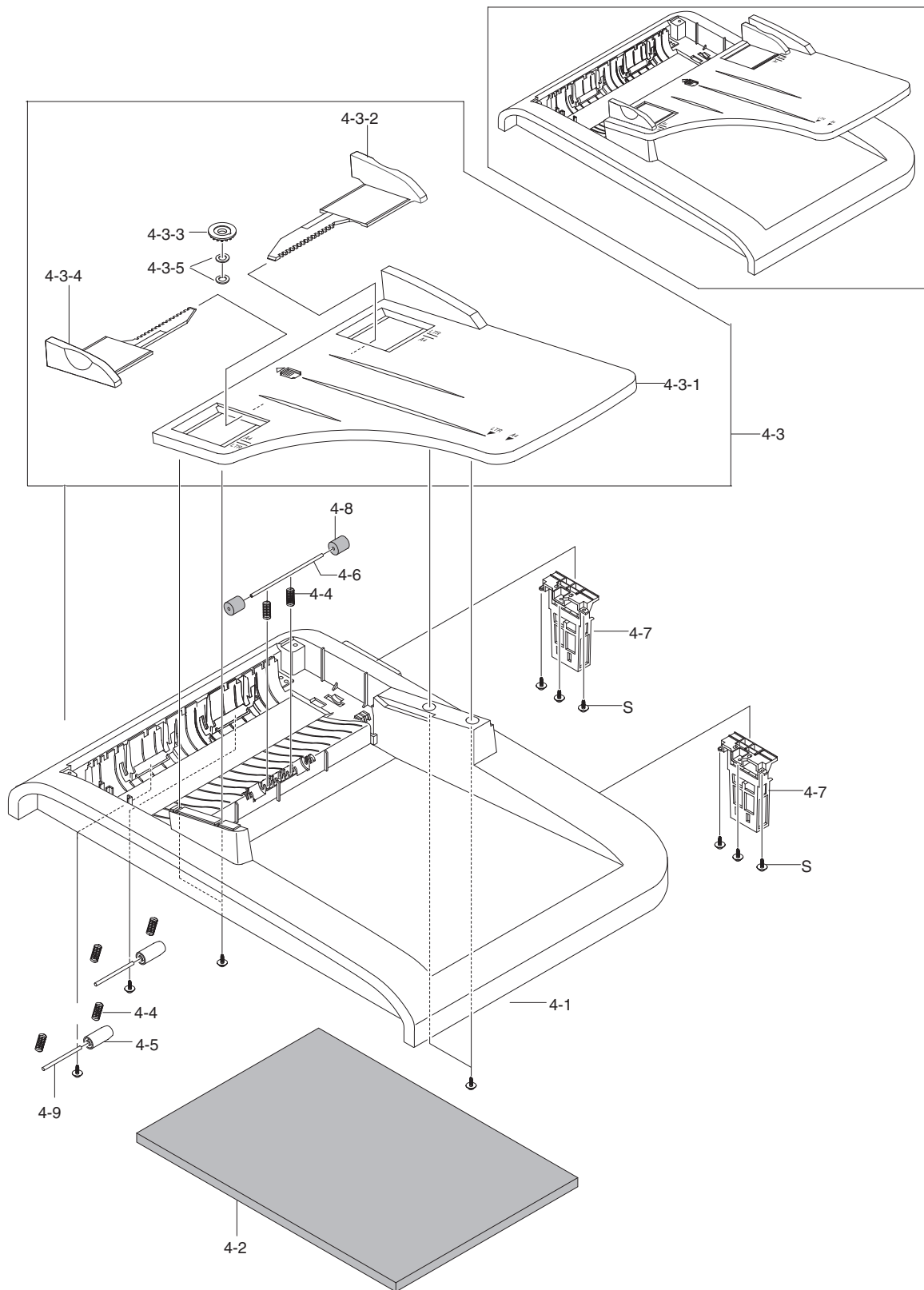


### Main Drive Unit Assembly Parts List 8.2

No.	Part Name and (part description)	Qty	Part number	Remark
0	ELA UNIT- DRIVE	1		N/S
1	BRACKET-GEAR MAIN	1		N/S
2	GEAR-RDCN 53/26	1		N/S
3	GEAR-RDCN 113/33	1		N/S
4	GEAR-RDCN 57/18	2		N/S
5	WASHER-PLAIN	2		N/S
6	BRACKET-MOTOR MAIN R2	1		N/S
7	GEAR-RDCN 103/41	1		N/S
8	GEAR-RDCN 90/31	1		N/S
9	MOTOR STEP-MAIN	1		N/S

# 8.3 ADF Assembly





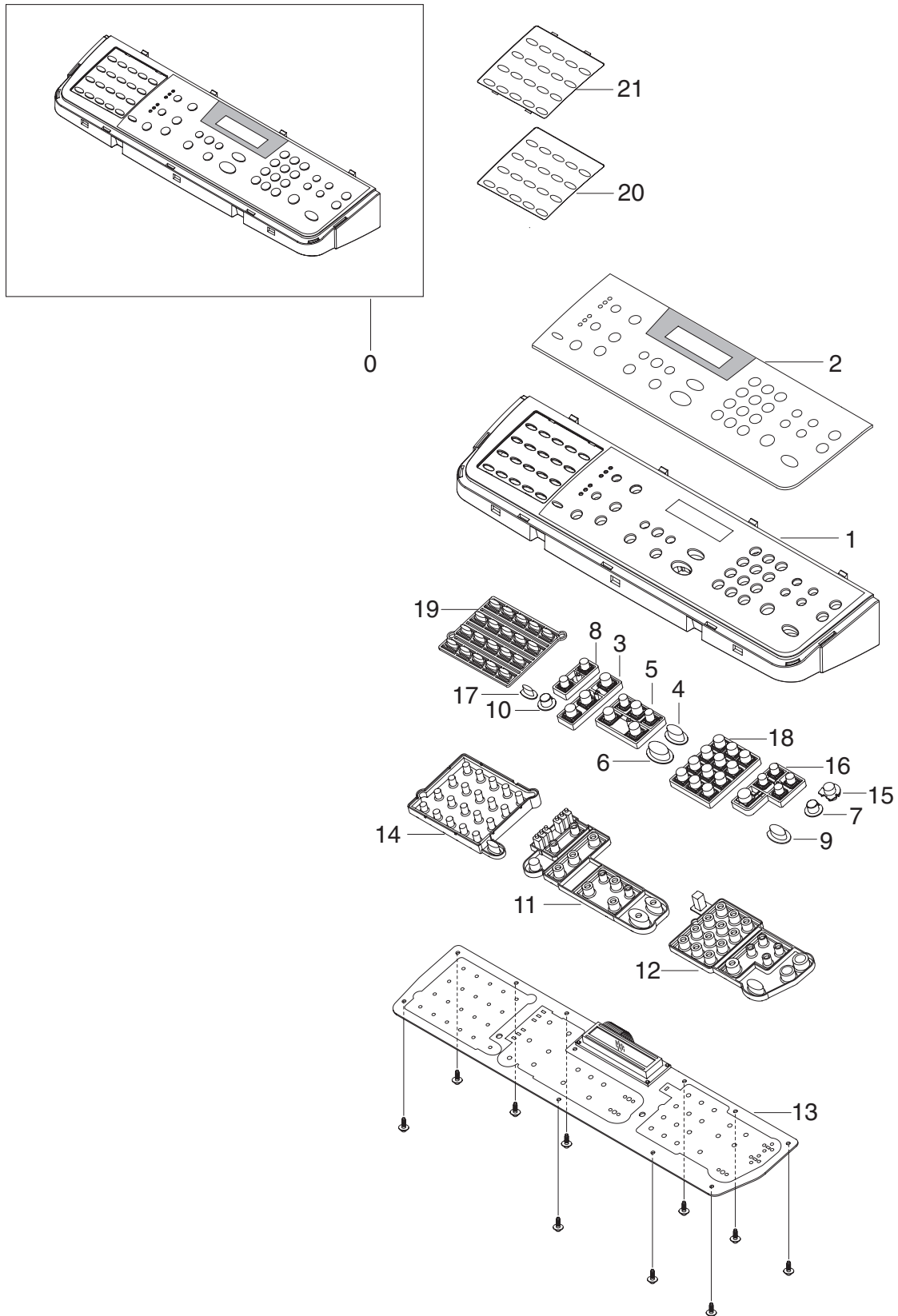
## ADF Assembly Parts List 8.3

No.	Part Name and (part description)	Qty	Part number	Remark
0	ELA HOU ADF - SYSTEM	1		N/S
1	MEA UNIT ADF UPPER	1	022N02094	
1 -1	COVER ADF UPPER	1		N/S
1-2	MEA UNIT HOLDER ADF	1	019N00809	
1-2-1	RMO ADF RUBBER	1	019N00566	
1-2-2	HOLDER PAD ADF	1		N/S
1-2-3	SPRING ETC PAD	1		N/S
1-2-4	SHEET ADF HOLDER	1		N/S
2	ELA HOU ADF LOWER	1	002N02340	
2-1	COVER M ADF LOWER	1		
2-2	PBA SUB ADF	1		N/S
2-3	GROUND P ADF	1		N/S
2-4	SHAFT M FEED GEAR 38	1		N/S
2-5	ROLLER DRIVE	1		N/S
2-6	PMO ACT EMPTY ADF	1		N/S
2-7	PMO ACTUATOR REGI SENSOR	1		N/S
2-8	PMO ACTUATOR SCAN SENSOR	1		N/S
2-9	SPRING ETC TORSION DOC (CC2-F)	3		N/S
2-10	IPR GROUND ROLLER	1		N/S
2-12	ROLELR EXIT	1		N/S
2-13	MEC BRUSH ANTISTATIC	1		N/S
2-14	PPR WHITE BAR SHEET	1		N/S
2-15	BMO BUSH	4		N/S
2-16	CBF HARNESS ADF	1		N/S
2-17	GEAR AGITATOR 2	1		N/S
2-18	RING C	1		N/S
2-19	GUIDE STACKER SUB	2		N/S
2-20	CBF HARNESS ADF ROLLER GRD	1		N/S
2-21	IPR BRKT WHITE BAR	1		N/S
2-22	SPRING ETC WHITE BAR	1		N/S
3	ELA HOU ADF MOTOR	1	002N02341	
3-1	BRACKET GEAR ADF	1		N/S
3-2	MOTOR STEP ADF	1		N/S
3-3	GEAR CLUTCH 29	1		N/S
3-4	PMO WHIT CHUTCH SUB 29	1		N/S
3-5	GEAR CLUTCH 39	1		N/S
3-6	RING C	1		N/S
3-7	GEAR IDLE 35 ADF	2		N/S
3-8	GEAR 40/21 ADF	1		N/S
3-9	GEAR SWING 31/20 ADF	1		N/S
3-10	LINK M SWING ADF	1		N/S
3-11	GEAR 58/25 ADF	1		N/S
3-12	IMPELLER ADF	1		N/S
3-13	GEAR REMOVE ADF	1		N/S
3-14	WASHER PLAIN	1		N/S
3-15	IPR WASHER WAVE	1		N/S
3-16	WASHER PLAIN	2		N/S



No.	Part Name and (part description)	Qty	Part number	Remark
3-17	CBR HARNESS ADF GND	1		N/S
3-18	RING E	6		N/S
3-19	SCREW TAPTITE	3		
3-20	WASHER PLAIN	1		N/S
3-21	SPRING ETC	1		N/S
4	MEA COVER PLATEN	1		
4-1	COVER M PLATEN 4 IN 1	1	002N02342	
4-2	SHEET WHITE SPONGE	1	019N00810	
4-3	MEA TX STACKER (ADF Feed Tray Assembly)	1	050N00452	
4-3-1	PMO TX STACKER	1		N/S
4-3-2	PMO DOC GUIDE L	1		N/S
4-3-3	GEAR PINION	1		N/S
4-3-4	PMO DOC GUIDE R	1		N/S
4-3-5	IPR WASHER SPRING CU	2		N/S
4-4	SPRING ETC FEED	6	009N01489	
4-5	PMO ROLL PINCH	2	022N01511	
4-6	ICT SHAFT PINCH - (SHAFT STACKER)	1	006N01218	
4-7	MEA UNIT HINGE	2	003N00888	
4-8	RPR ROLLER EXIT IDLE	2	022N02019	
4-9	SHAFT IDLE FEED	2	006N01252	
5	MEA UNIT COVER OPEN	1	002N02343	
5-1	COVER M ADF OPEN	1		N/S
5-2	PMO GUIDE PAPER	2		N/S
5-3	DAMPER PICKUP ADF	1		N/S
6	MEA UNIT PICKUP	1	130N01364	
6-1	STOPPER M PICKUP ADF	1		N/S
6-2	GEAR ADF 38	1		N/S
6-3	RING C	1		N/S

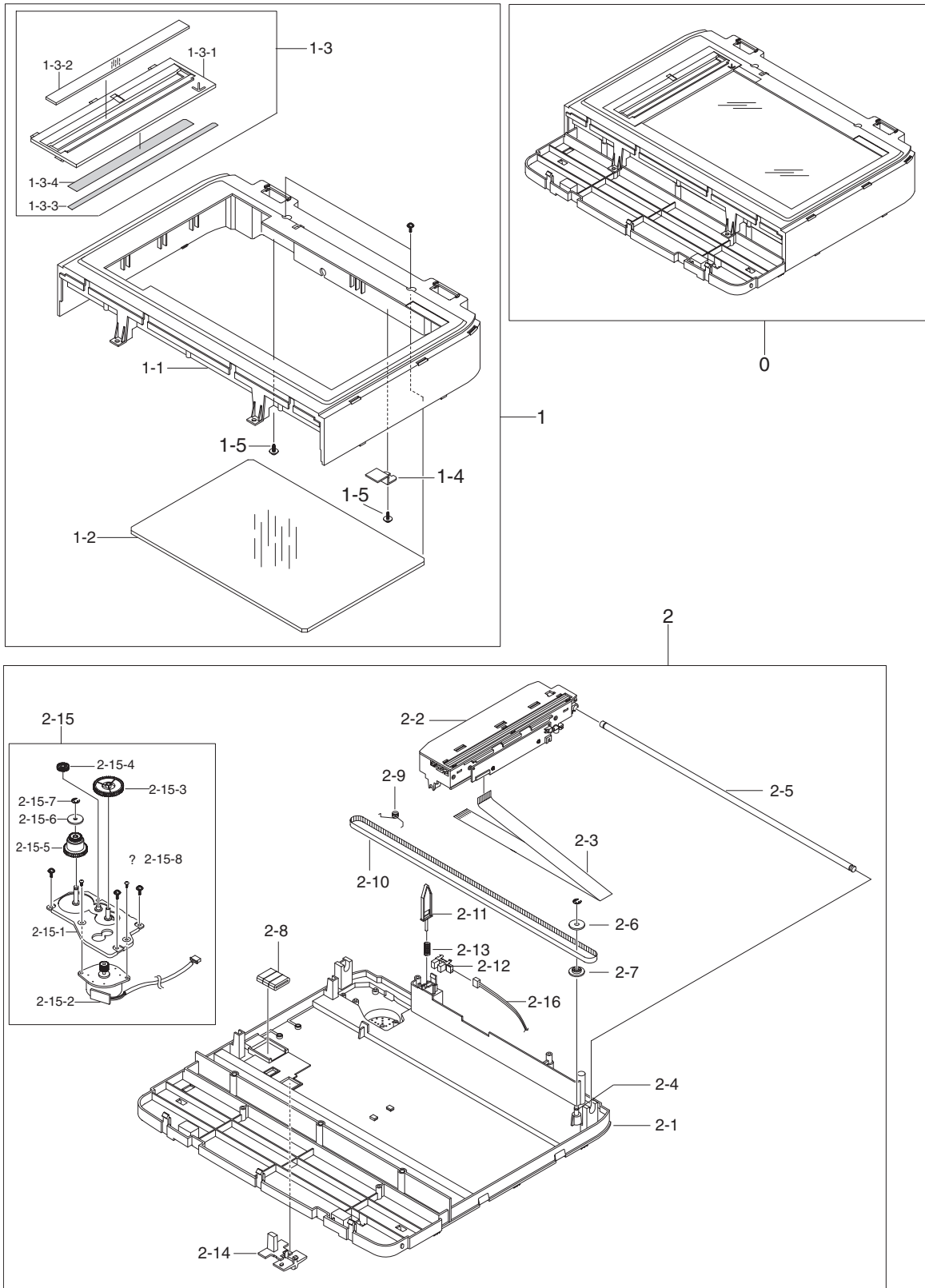
## 8.4 Control Panel OPE Assembly



## Control Panel (OPE) Assembly Parts List 8.4

No.	Part Name and (part description)	Qty	Part number	Remark
0	ELA HOU OPE 4 IN 1	1		N/S
1	COVER M OPE	1		N/S
2	SHEET OVERLAY OPE 4 IN 1 English Spanish Brazilian Portuguese French	1 ea	091N80214 091N80215 091N80216 091N80217	
	SHEET OVERLAY OPE 5 IN 1 English Spanish Brazilian Portuguese French	1 ea.	091N80218 091N80219 091N80220 091N80221	
3	KEY M COPY	1		N/S
4	KEY M STOP	1		N/S
5	KEY M START	1		N/S
6	KEY M START	1		N/S
7	KEY M TOLL SAVE	1		N/S
8	KEY M RESOLUTION	1		N/S
9	KEY M DIRECT PRINT	1		N/S
10	KEY M SCAN TO	1		N/S
11	RUBBER COPY/SCROLL	1		N/S
12	RUBBER TEL/FAX	1		N/S
13	PBA SUB OPE 4 IN 1	1	140N62950	
14	RUBBER ONE TOUCH	1		N/S
15	KEY M TONER SAVE	1		N/S
16	KEY M FAX	1		N/S
17	KEY M SHIFT	1		N/S
18	KEY M TEL	1		N/S
19	PMO KEY OT	1		N/S
20	LABEL (P) ONE TOUCH	1		N/S
21	MPR COVER ADDRESS	1		N/S
S	SCREW TAPTITE	10		

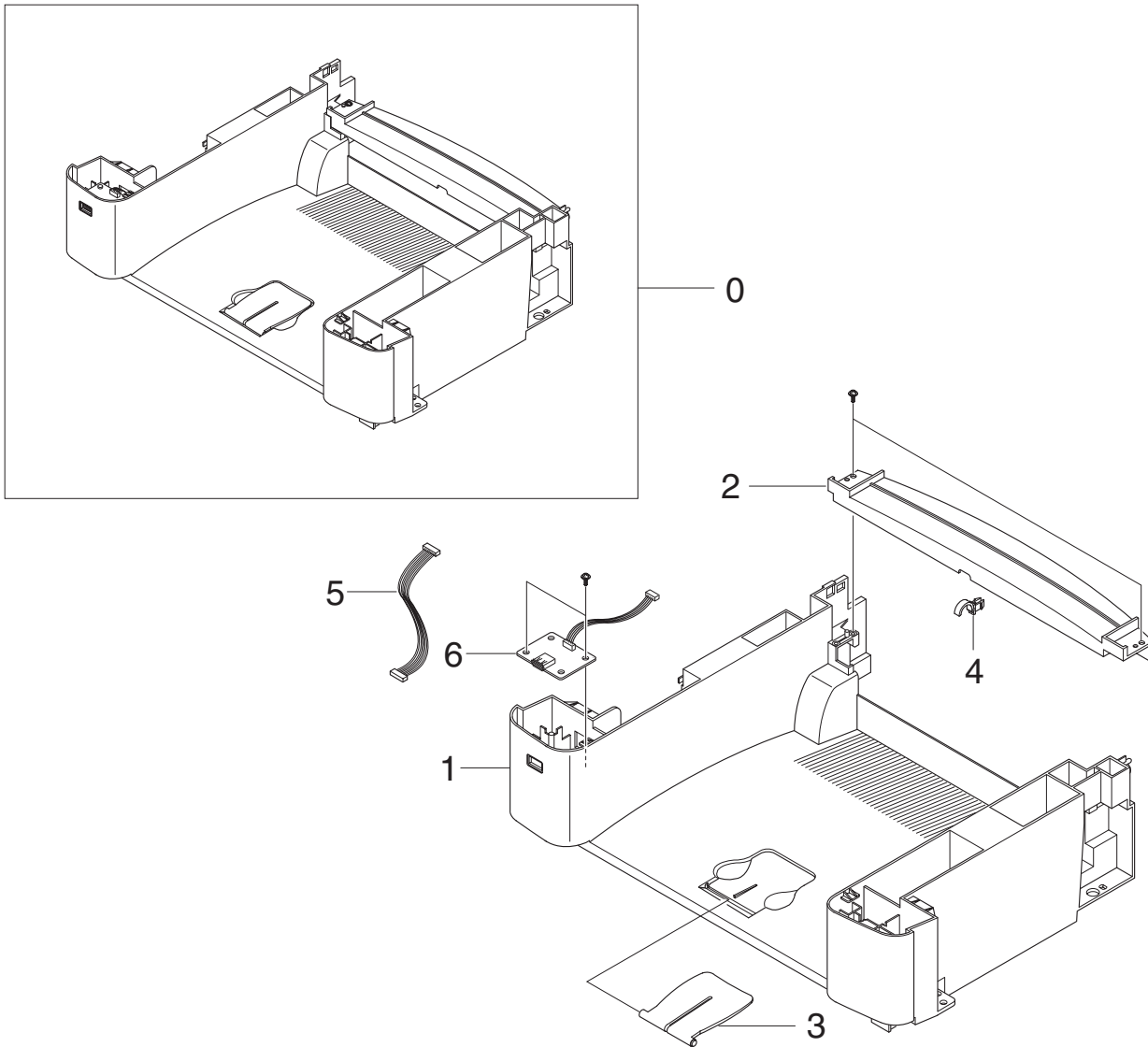
## 8.5 Scanner Assembly



## Scanner Assembly Parts List 8.5

No.	Part Name and (part description)	Qty	Part number	Remark
0	ELA HOU PLATEN			
1	MEA UNIT SCAN UPPER	1		
1-1	COVER M SCAN UPPER	1	002N02344	
1-2	GLASS SCAN	1	118N00500	
1-3	MEA SCAN DUMMY (Constant Velocity (CVT) Window Assembly)	1	002N02354	
1-3-1	COVER M SCAN DUMMY	1		N/S
1-3-2	MCT GLASS ADG	1		N/S
1-3-3	TAPE DOUBLE FACE	1		N/S
1-3-4	LABEL (P) SHADING	1		N/S
1-4	IPR HOLDER GLASS	2		N/S
1-5	SCREW TAPPING	2		N/S
2	ELA HOU SCAN LOWER	1	002N02345	
2-1	COVER SCAN LOWER	1		N/S
2-2	ELA HOU CCD MODULE	1	002N02346	
2-3	CBF SIGNAL CCD FFC (Scanner Ribbon Cable)	1	117N01665	
2-4	ICT INSERT SHAFT	1		N/S
2-5	ICT SHAFT CCD	1		N/S
2-6	PMO HOLER BELT	1		N/S
2-7	PMO PULLEY	1		N/S
2-8	ELA UNIT CORE	3		N/S
2-9	SPRING ETC BELT	1		N/S
2-10	BELT TIMING GEAR	1	109N00542	
2-11	PMO LEVER SENSOR	1	011N00473	
2-12	PHOTO INTERRUPTER	1	130N01274	
2-13	SPRING CS	1		N/S
2-14	HOLDER CCD	1		N/S
2-15	ELA HOU SCAN MOTOR	1	101N01345	
2-15-1	BRACKET SCAN MOTOR	1		N/S
2-15-2	MOTOR STEP SCAN	1		N/S
2-15-3	GEAR REDUCTION	1		N/S
2-15-4	GEAR IDLE	1		N/S
2-15-5	GEAR TIMING	1		N/S
2-15-6	PMO HOLDER BELT	1		N/S
2-15-7	RING E	1		N/S
2-16	CBF HARNESS PLATEN	1		N/S

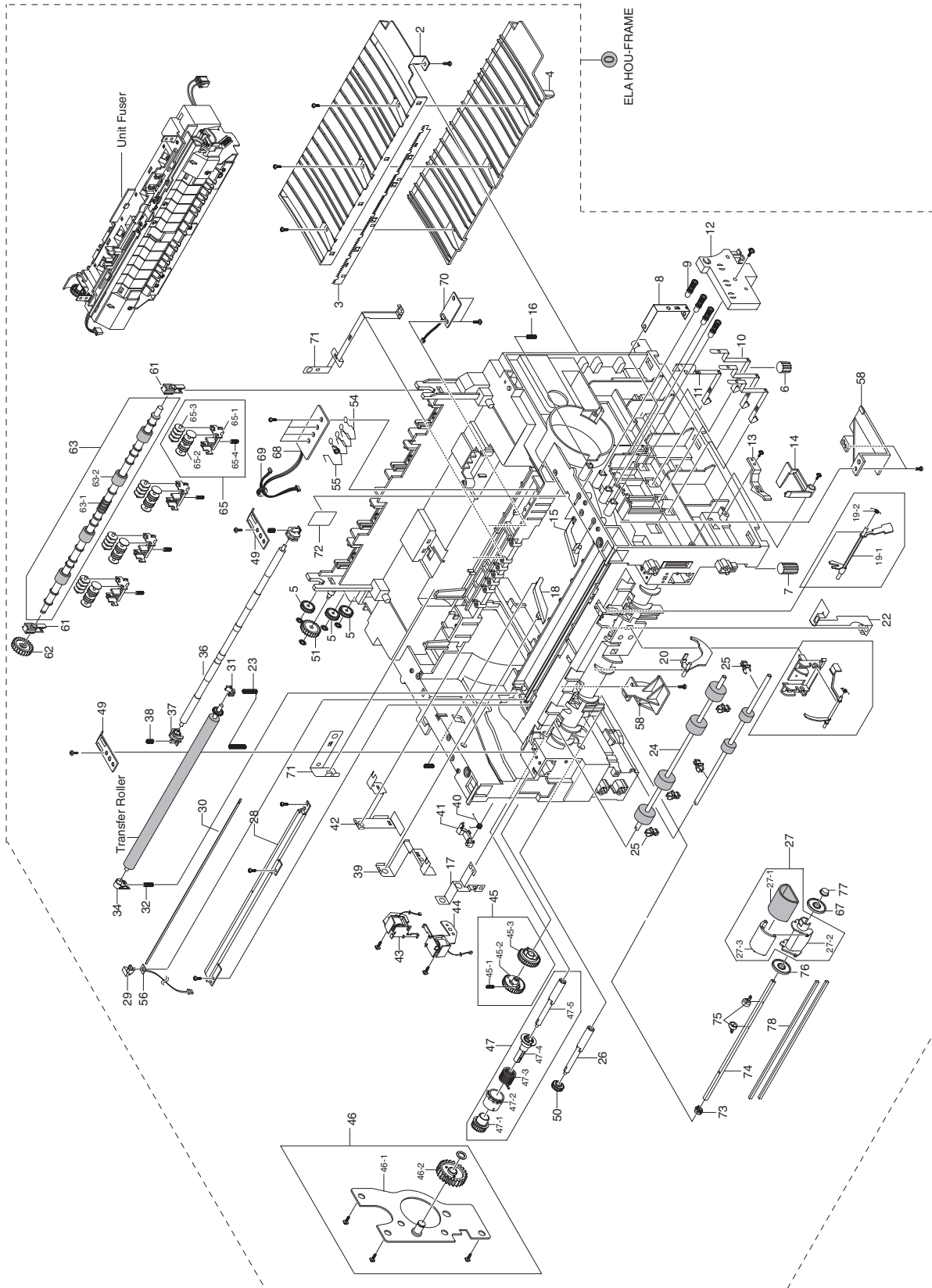
## 8.6 Middle Cover Assembly



### Middle Cover Assembly Parts List 8.6

No.	Part Name and (part description)	Qty	Part number	Remark
0	ELA HOU COVER MIDDLE	1		N/S
1	COVER M MIDDLE	1		N/S
2	COVER REAR UPPER	1		N/S
3	PMO STACKER RX	1		N/S
4	BUSH F/DOWN	1		N/S
5	CBF HARNESS OPE	1	152N11575	
6	PBA SUB USB HOST	1	140N62944	

# 8.7 Frame Assembly



## Frame Unit Assembly Parts List 8.7

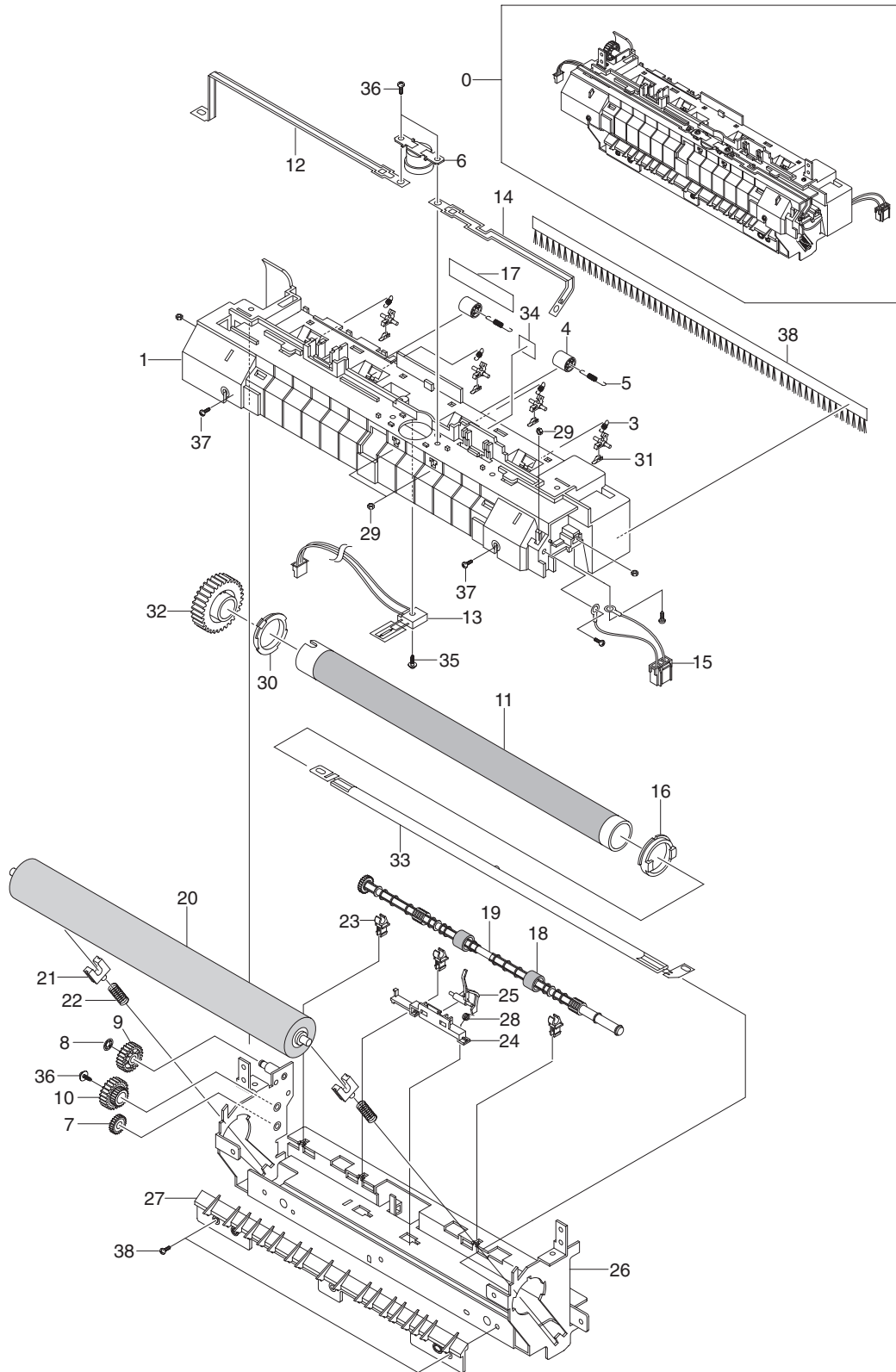
---

No.	Part Name and (part description)	Qty	Part number	Remark
0	ELA UNIT-FRAME 110V	1	002N02353	110V
0	ELA UNIT-FRAME 220V	1	002N02352	220V
1	FRAME-BASE R2	1		N/S
2	GUIDE-P-TR	1	038N00407	
3	PLATE-P-SAW	1	015N00500	
4	GUIDE-M-TR RIB	1	038N00408	
5	PMO-GEAR_EXIT_DRV16	3		N/S
6	FOOT-BACK	2		N/S
7	FOOT-FRONT	2		N/S
8	GROUND-GUDIE TR R2	1		N/S
9	MEC-TERMINAL	4		N/S
10	PLATE-TERMINAL CON R2	3		N/S
11	PLATE-TERMINAL CR R2	1		N/S
12	HOUSING-TERMINAL R2	1	101N01346	
13	PMO-LOCKER CST	2	120N00427	
14	PMO-ACTUATOR CVR OPEN	1	120N00423	
15	PMO-PLATE GUIDE DEVE_R	1	032N00390	
16	SPRING ETC-GUIDE DEVE	2		N/S
17	GROUND-PUSH BUSHING	1		N/S
18	PMO-PLATE GUIDE DEVE_L	1	032N00391	
19	PMO-ACT FEED R2	1	022N02092	
20	PMO-ACTUATOR EMPTY	1	120N00425	
21-1	PMO-ACT MANUAL (Switch Actuator for MPT)	1	120N00453	
22	GROUND-EARTH TR R2	1		N/S
23	GROUND-TERMINAL TR	1	116N00240	
24	ROLLER-FEED ROLLER 1	1	022N02080	
25	PMO-BUSHING FEED	5	016N00274	
26	SHAFT-FEED	1	006N01253	
27	MEA UNIT-PICKUP	1	022N02084	
27-1	SPRING-ROLLER PICK_UP	1		N/S
27-2	HOUSING-PICK UP_R2	1		N/S
27-3	HOUSING-PICK UP2_R2	1		N/S
28	IPR-P-EARTH TRANSFER	1	117N01616	
29	HOLDER-PTL R2	1		N/S
30	LENS-PTL	1	062N00246	
31	PMO-BUSHING_TR(L)	1	016N00254	
32	SPRING ETC-TR L HAWK	1		N/S
33	ROLLER-FEED	1	022N01607	
34	BUSH-M-TR L	1	016N00261	
35	GROUND-FUSER R2	1		N/S
36	SHAFT-FEED IDLE	1		N/S
37	BUSH-M-FEED IDLE	2		N/S
38	SPRING ETC-TR	2		N/S
39	GROUND-DRIVE2 R2	1		N/S
40	SPRING-TS	1		N/S
41	CAM-M-PICK_UP	1	008N01738	
42	GROUND-DRIVE R2	1		



No.	Part Name and (part description)	Qty	Part number	Remark
43	SOLENOID-FEED R2	1	121N01077	
44	SOLENOID-HB (MANUAL)	1	700N00094	
45	MEA UNIT-GEAR PICKUP	1	007N01271	
45-1	GEAR-PICK UP B_R2	1		N/S
45-2	GEAR-PICK UP A_R2	1		N/S
45-3	SPRING-CS	1		N/S
46	MEA UNIT-BRACKET FEED	1	030N00690	
46-1	BRACKET-FEED R2	1		N/S
46-2	GEAR-Z35 IDLE	1		N/S
47	MEA UNIT-CLUTCH	1	022N01609	
47-1	GEAR-FEED 1	1		N/S
47-2	PMO-COLLAR_SPRING	1		N/S
47-3	SPRING-TS	1		N/S
47-4	PMO-HUB CLUTCH	1		N/S
47-5	SHAFT-FEED	1		N/S
48	ELA HOU-FUSER 110V	1	126N00214	110V
48	ELA HOU-FUSER 220V	1	126N00215	220V
49	PLATE-PUSH BUSHING (GUIDE P PAPER)	2	038N00451	
50	GEAR-FEED 2	1		N/S
51	GEAR-IDLE 23	1		N/S
52	SPRING-TS	1		N/S
53	SPRING-TS	1		N/S
54	IPR-P-TERMINAL DEVE KEY	3		N/S
55	GROUND TERMINAL DEVE	1		N/S
56	PBA SUB -PTL	1	140N62945	
58	HOLDER-TERMINAL R2	1		N/S
59	HOLDER ACT MANUAL R2	1		N/S
61	HOLDER-BEARING, EXIT	2	019N00811	
62	GEAR-EXIT F/DOWN	1		N/S
63	ROLLER-EXIT F/DOWN	1	022N02093	
64	RMO-RUBBER EXIT	4		N/S
65	MEA RACK-EXIT ROLLER	4	022N02081	
65-1	PMO-HOLDER EXIT ROLL	1		N/S
65-2	PMO-ROLLER FD F	1		N/S
65-3	PMO-ROLLER FD R	1		N/S
65-4	SPRING ETC-EXIT ROLL FD	1		N/S
66	GUIDE-SUB FRONT	1		N/S
69	CBF HARNESS CRUM2	1	152N11576	
68	PBA SUB CRUM	1	140N62946	
70	PBA SUB-EXIT SENSOR	1	130N01360	
72	LABEL(R)-HOT CAUTION,KME	1		N/S
73	BUSH M PICK UP L	1		N/S
74	SHAFT P PICK UP	1	006N01254	
75	STOPPER PICK UP R2	2	003N00945	
76	PMO IDLE PICK UP	2		N/S
77	BUSH M PICK UP R	1		N/S
78	SHAFT CORE	2	006N01255	

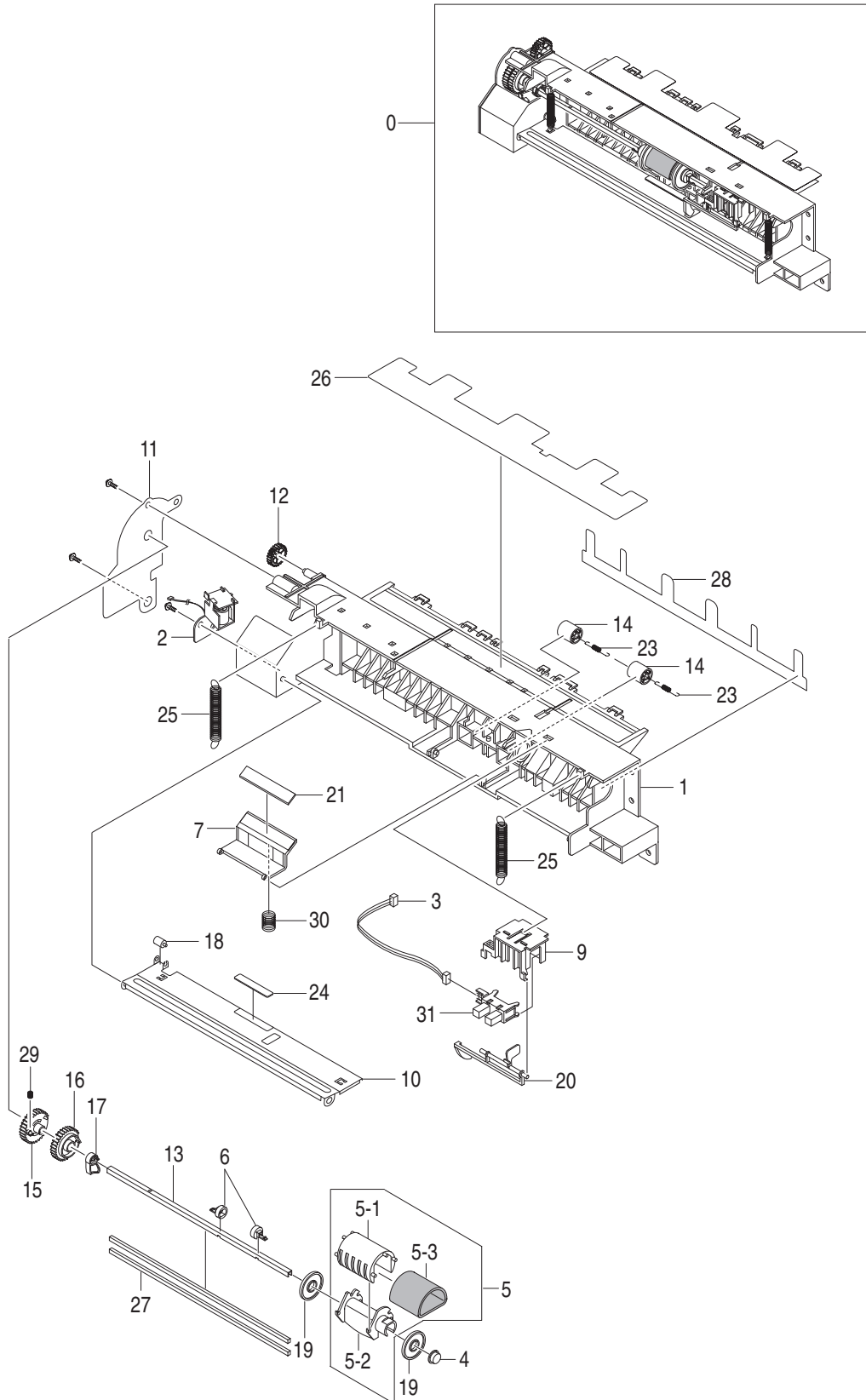
## 8.8 Fuser Unit Assembly



## Fuser Assembly Parts List 8.8

No.	Part Name and (part description)	Qty	Part number	Remark
0	ELA HOU-FUSER 110V	1	126N00214	110V
0	ELA HOU-FUSER 220V	1	126N00215	220V
1	COVER-FUSER R2	1		
2	HOLDER-PLATE CLAW R2	4		
3	SPRING ETC-CLAW	4		
4	PMO-ROLLER_EXIT	2		
5	SPRING ETC-FUSER EXIT	2		
6	THERMOSTAT-150	1		
7	PMO-GEAR_EXIT_DRV16	1		
8	GEAR-IDLE 23	1		
9	RING-E	1		
10	GEAR-RDCN 25/15	1		
11	ROLLER-HEATER	1		
12	ELECTRODE-LFET R2	1		
13	THERMISTOR-NTC	1		
14	ELECTRODE-RIGHT R2	1		
15	CBF HARNESS-FUSER 110V	1		WHITE
	CBF HARNESS-FUSER 220V	1		BLACK
16	BUSH-HR R_R2	1		
17	LABEL(P)-CAUTION, HOT_FUSER	1		
18	RMO-RUBBER_EXIT	2		
19	ROLLER-M-EXIT F/UP	1		
20	ROLLER-PRESSURE	1		
21	BEARING-PRESSURE/R	2		
22	SPRING-CS	2		
23	PMO-BUSHING TX	3		
24	HOLDER-ACTUATOR	1		
25	PMO-ACTUATOR EXIT R2	1	120N00445	
26	FRAME-FUSER R2	1		
27	GUIDE-INPUT R2	1		
28	SPRING-TS	1		
29	NUT-HEXAGON	5		
30	BUSH-HR L_R2	1		
31	PLATE-P-CLAW	4		
32	GEAR-FUSER R2	1		
33	LAMP-HALOGEN 110V	1	122N00231	110V
33	LAMP-HALOGEN 220V	1	122N00229	220V
34	LABEL(R)-HV FUSER	1		
35	SCREW-TAPTIEE	1		
36	SCREW-ASS'Y MACH	6		
37	SCREW-TAPTIEE	6		
38	BRUSH-ANTISTAIC	1		

## 8.9 MP Assembly



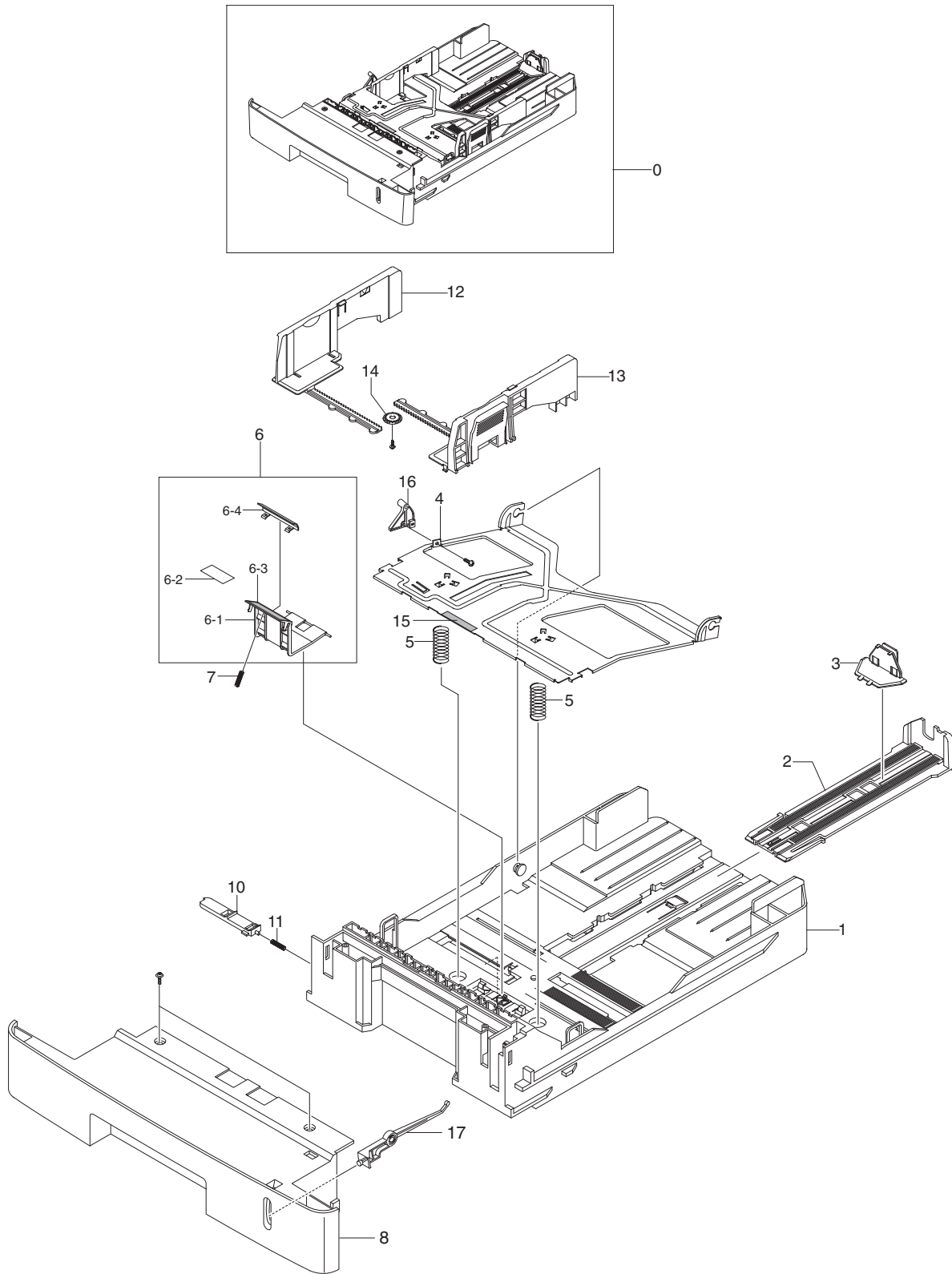
## MP Assembly Parts List 8.9

---

No.	Part Name and (part description)	Qty	Part number	Remark
0	ELA UNIT-MP	1	022N02085	
1	FRAME-17-MP	1		N/S
2	SOLENOID-MP	1	121N01078	
3	CBF HARNESS-MPF SEN	1		N/S
4	BUSH-M-PICK-UP R	1		N/S
5	MEA UNIT PICK UP MP	1	130N01366	
5-1	HOUSING-M-PICK UP2_R2	1		N/S
5-2	HOUSING-M-PICK UP2_R2	1		N/S
5-3	SPONGE ROLLER PICK UP	1		N/S
6	STOPPER-M-PICK UP_R2	2		N/S
7	HOLDER-M-PAD_MP	1		N/S
9	HOLDER-M-SENSOR_MP	1		N/S
10	PLATE-P-KNOCK UP_MP	1		N/S
11	BRACKET-P-PICK UP_MP	1		N/S
12	GEAR-IDLE 23	1		N/S
13	SHAFT-P-PICK_UP	1		N/S
14	ROLLER-M-IDLE FEED	2		N/S
15	GEAR-M-PICK UP_MP	1		N/S
16	GEAR-M-HOLDER_MP	1		N/S
17	CAM-M-PICK UP_MP	1		N/S
18	PMO-ROLLER CAM_MP	1		N/S
19	PMO-IDLE PICK UP	2		N/S
20	PMO-M-ACT EMPTY MP (Switch Actuator for MPT Tray)	1	120N00454	
21	RPR-FRICTION PAD	1	019N00742	
23	SPRING-ETC-EXIT ROLL FD	2		N/S
24	RPR-PAD CASSETTE	1		N/S
25	SPRING-ES	2		N/S
26	SHEET GUIDE PAPER R2	1		N/S
27	SHAFT-P-CORE	2		N/S
28	SHEET GUIDE MP	1		N/S
29	SPRING-CS	1		N/S
30	SPRING-ES	1		N/S
31	PHOTO INTERRUPTER	1		N/S

## 8.10 Tray 1 (Cassette) Unit Assembly

---

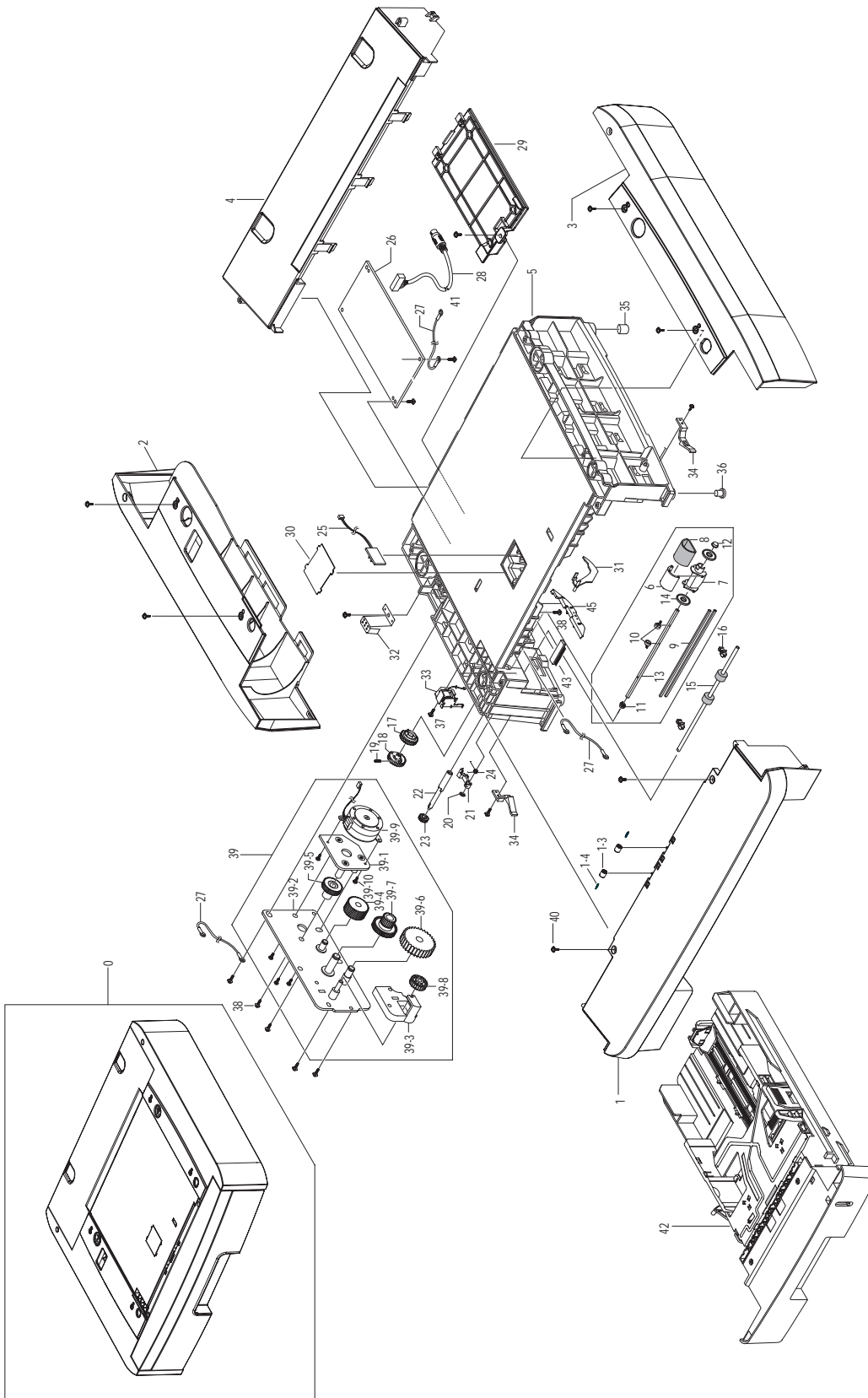


## Tray 1 (Cassette) Unit Assembly Parts List 8.10

---

No.	Part Name and (part description)	Qty	Part number	Remark
0	MEA UNIT-CASSETTE, USA	1		
1	FRAME-M-CASSETTE	1		N/S
2	GUIDE-M-EXTENSION LARGE	1		N/S
3	GUIDE-EXTENSION SMALL	1		N/S
4	PLATE-P-KNOCK_UP	1		N/S
5	SPRING-CS	2		N/S
6	MEA UNIT-HOLDER PAD	1		N/S
6-1	HOLDER-M-PAD	1		N/S
6-2	SHEET-HOLDER PAD R2	1		N/S
6-3	RPR-FRICTION PAD	1		N/S
6-4	IPR-PLATE PAD	1		N/S
7	SPRING ETC-EXIT ROLL FD	1		N/S
8	COVER-SUB CASSETTE R2	1		N/S
10	PMO-PLATE_LOCKER	1		N/S
11	SPRING ETC-LOCKER,PLATE	1		N/S
12	ADJUST-M-CASSETTE_L	1		N/S
13	ADJUST-M-CASSETTE_R	1		N/S
14	GEAR-PINION	1		N/S
15	RPR-PAD CASSETTE	1		N/S
16	CAM-KNOCK UP	1		N/S
17	INDICATOR CST PAPER	1		N/S

## 8.11 Tray 2 (SCF - Optional Cassette) Unit Assembly





## Tray 2 (SCF - Optional Cassette) Assembly Parts List 8.11

No.	Part Name and (part description)	Qty	Part number	Remark
0	ELA HOU-SCF	1		
1	COVER-M-FRONT SCF R2	1	002N02347	
2	COVER-M-LEFT SCF	1	002N02348	
3	COVER-M-RIGHT SCF	1	002N02349	
4	COVER-M-REAR SCF	1	002N02350	
5	FRAME-M-SCF	1		N/S
6	HOUSING-M-PICKUP _R2	1		N/S
7	HOUSING-M-PICKUP2 _R2	1		N/S
8	SPONGE-ROLLER PICK_UP	1		N/S
9	SHAFT-P-CORE	2		N/S
10	PMO BUSHING FEED	2		N/S
11	BUSH M-PICK_UP L	1		N/S
12	BUSH M-PICK_UP R	1		N/S
13	SHAFT-P-PICK_UP	1		N/S
14	PMO-IDLE PICK_UP	2		N/S
15	ROLLER-FEED	1		N/S
16	PMO-BUSHING TX	2		N/S
17	PMO-GEAR PICK_UP A	1		N/S
18	PMO-GEAR PICK_UP B	1		N/S
19	SPRING-CS	1		N/S
20	RING-CS	1		N/S
21	CAM-M-PICK_UP	1		N/S
22	SHAFT-FEED	1		N/S
23	GEAR-FEED 2	1		N/S
24	SPRING-TS	1		N/S
25	PCB-SENSOR	1	130N01367	
26	PBA SUB-SCF	1	140N62874	
27	CBF HARNESS-SCF GND	2		N/S
28	CBF HARNESS-SCF	1		N/S
29	COVER-M-SIMM R2	1		N/S
30	SHEET-COVER SENSOR	1		N/S
31	PMO-ACTUATOR EMPTY	1	120N00425	
32	IPR-GND TOP	1		N/S
33	SOLENOID-HB (MANUAL)	1		N/S
34	PMO-LOCKER CST	2		N/S
35	FOOT-BACK	2		N/S
36	FOOT-FRONT	2		N/S
37	SCREW-ASS'Y TAPT	1		N/S
38	SCREW-TAPTITE	4		
39	ELA HOU-MOTOR SCF	1	002N02351	
39-1	BRKT-P-MOTOR SCF	1		
39-2	BRKT-P-GEAR SCF	1		
39-3	BRKT-M-FEED SCF	1		
39-4	GEAR 61/47 IDLE	1		
39-5	GEAR 59 IDLE	1		
39-6	GEAR 35 IDLE	1		
39-7	GEAR-RDCN 57/18	1		

Parts List

No.	Part Name and (part description)	Qty	Part number	Remark
39-8	GEAR-IDLE 23	1		N/S
39-9	MOTOR STEP(SCF)	1		N/S
39-10	SCREW-MACHINE	5		N/S
39-11	CORE-FERRITE	1		N/S
39-12	CABLE TIE	1		N/S
40	BUSH CABLE	1		N/S
42	MEA CASSETTE	1		N/S
43	MEC BRUSH ANTISTATIC	.25		N/S
44	SHEET BRUSH	1		N/S
45	GUIDE CAM KNOCK UP	1		N/S

## Xerox Options and Accessories

---

Part Name and (part description)	Qty	Part number	Remark
AC POWER CORD, 110 V USA	1	117N01602	USA
USB CABLE	1	117N01313	
MEMORY	1		
32 MB		097N01434	
64 MB		097N01435	
128 MB		097N01436	
SCREW TAPTITE	10	026N00758	
SCREW TAPTITE	10	026N00759	
SCREW TAPTITE	10	026N00760	
BOX(P) MAIN (Shipping box)	1	TBD	
CD ROM Driver	1	TBD	
CD ROM ScanSoft/Paper Port	1	TBD	
CD ROM EUG (English User Guide)	1	TBD	
AC POWER CORD (All European countries <b>EXCEPT</b> the ones listed below)	1	152S6000	
AC POWER CORD (UK/Ireland)	1	152S6001	UK/Ireland
AC POWER CORD (Denmark)	1	152S6002	Denmark
AC POWER CORD (Switzerland)	1	152S6003	Switzerland
Telephone Line USA	1	117N01620	USA
Telephone Line UK	1	117K26560	UK
Telephone Line Spain/Portugal	1	117S26638	Spain/Port
Telephone Line Finland	1	117S26658	Finland
Telephone Line Italy	1	117S26660	Italy
Telephone Line Belgium	1	117S26663	Belgium
Telephone Line Austria	1	117S26664	Austria
Telephone Line Switzerland	1	117S26665	Switzerland
Telephone Line Sweden	1	117S26672	Sweden
Telephone Line France	1	117S26678	France
Telephone Line Denmark	1	117S26679	Denmark
Telephone Line Norway	1	117S26680	Norway
Telephone Line Germany	1	117S26682	Germany
Telephone Line Netherlands	1	117S26684	Netherlands
Telephone Line Generic (Ireland/Turkey/Russia)	1	117S26687	Generic