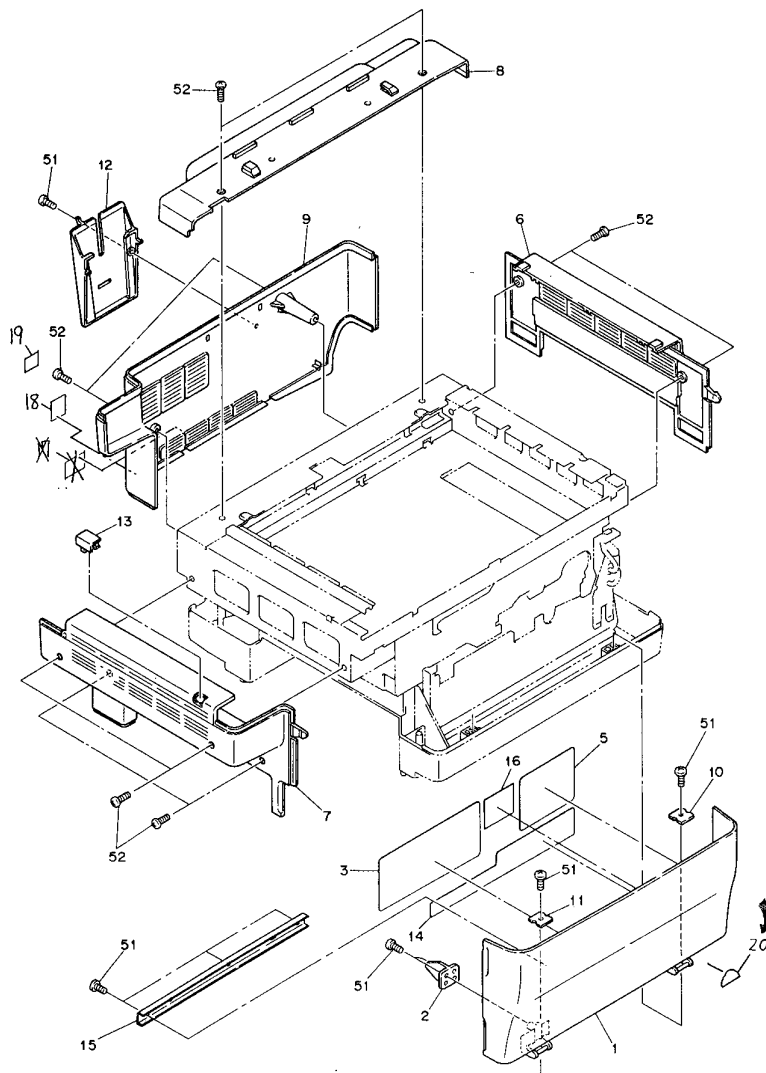


1360/1370

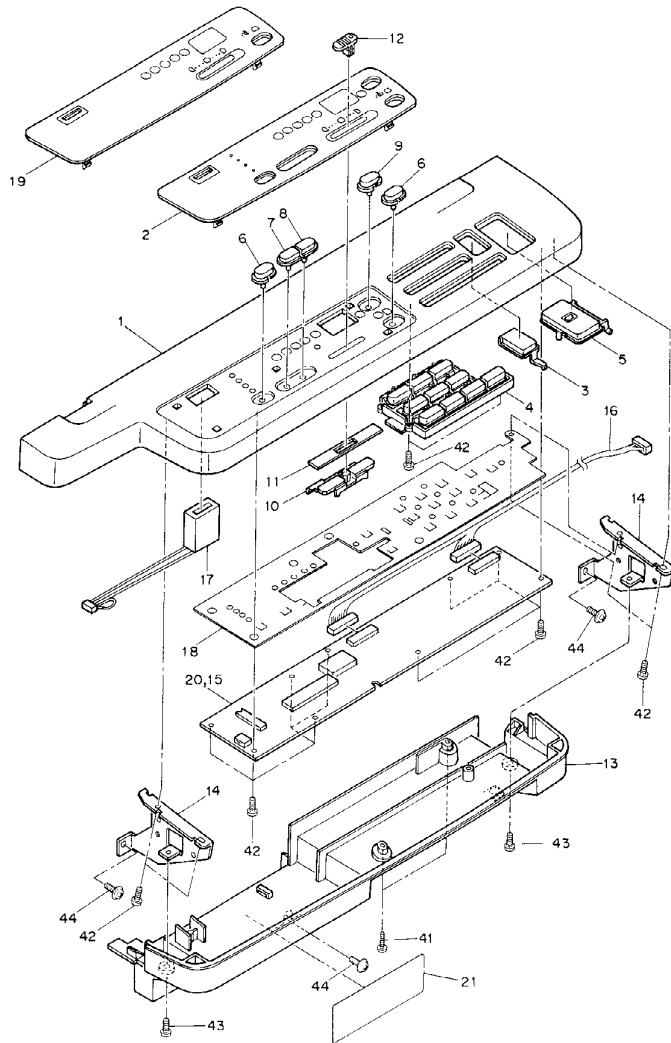
COVER-ASM

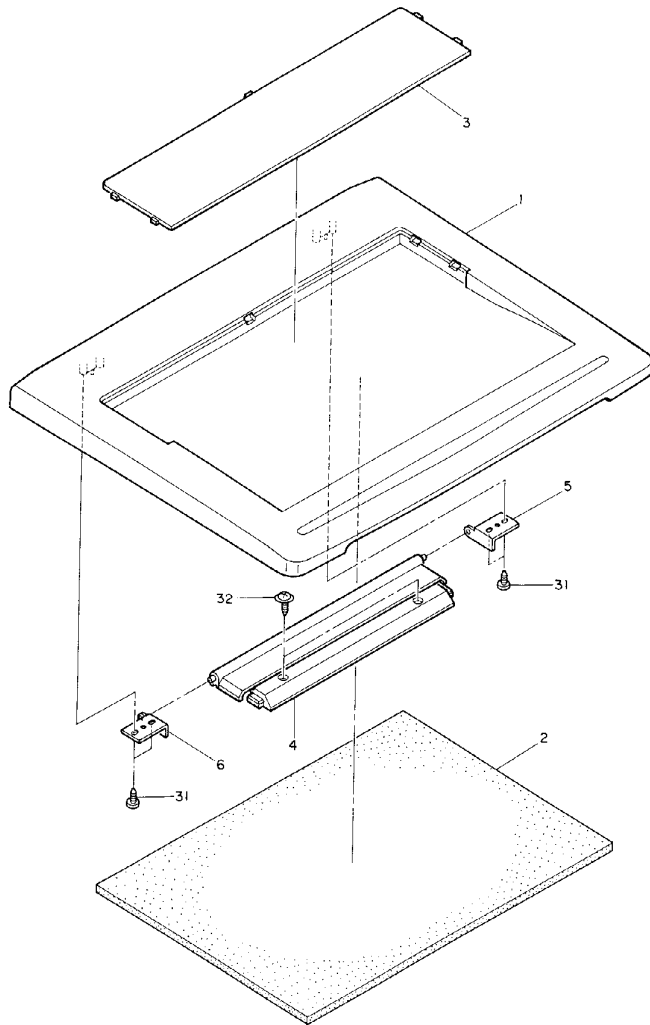
30.08.1999

Item No.	Parts No.	Parts Name	Qty/ Page	Qty/ Pack	Price ()	P I R	BSI No.	To Page, Item	T	From Page, Item	Serial No.	Remarks	Catg.
1A	4402861250	F-COV-F-1360	1	1/PP			F97C852					1360	
1B	4402861350	F-COV-F-1370	1	1/PP			F97C852					1370	
2	4402843500	ACTR-SW-DOOR	1	1/P									
3	4402841670	LBL-INST-TNR1	1	1/KP									
5	4402841960	LBL-INST-TNR-2	1	1/KP									
6	4402841620	COVER-RIGHT-U	1	1/PP									
7	4402841610	COVER-LEFT	1	1/PP									
8	4402841640	COVER-TOP	1	1/PP									
9	4402841650	COVER-REAR	1	1/PP									
10	4407686030	PLATE-HINGE	1	1/P									
11	4407686960	0PLATE-HINGE-L	1	1/P									
12	4400553270	MANUAL-POCKET	1	1/PP									
13	4402841750	CAP-COV-LEFT	1	1/P									
14	4402841590	LBL-INST-TNR3-E	1	5/KP								FOR EUROPE	
15	4402841570	BRKT-FRONT-COV	1	1/P									
16	4402844590	LBL-MEMORY-F121	1	5/KP									
18A	4400945700	LABEL-CANADA	1	5/P				18A-1				NAD	
18A1	4408860880	LABEL-CANADA-A	1	5/P		CEC	G01A227			18A		NAD	
19B	4402090460	LABEL-CE	1	5/P								FOR EUROPE	
20A	4401910990	LBL-ENERGY-T	1	5/P		F - -	F98I374					NAD	
20C	4401910990	LBL-ENERGY-T	1	5/P		ADC	F98I374				ZJ8/WJ8	MJD,UKD	
51	4842040846	PTBR30*08MSZN3A	8	50/P									
52	4842040684	TBID30*06MSCR3C	10	50/P				52-1					
52-1	X0-01543000	S/TPC/BID-3X6-NC	10	10/P		CEF	G02A893			52			



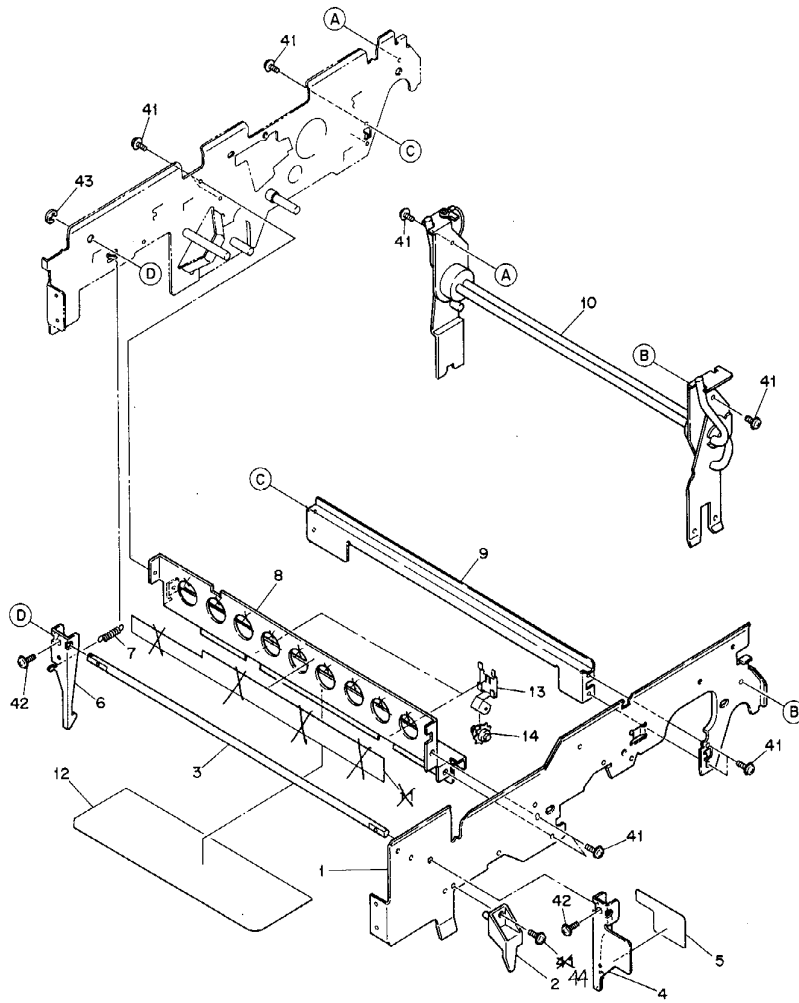
Item No.	Parts No.	Parts Name	Qty/ Page	Qty/ Pack	Price ()	P I R	BSI No.	To Page, Item	T	From Page, Item	Serial No.	Remarks	Catg.
1	4402842100	COV-CONP	1	1/PP									
2A	4402861900	PANEL-DSP-1370U	1	1/C			F97C852					1370 NAD	
2B	4402861910	PANEL-DSP-1370E	1	1/C			F97C852					1370 OTHERS	
3	4402842150	KEYTOP-C/S	1	1/D									
4	4402842160	KEYTOP-TEN	1	1/C									
5	4402842170	KEYTOP-PRINT	1	1/D									
6A	4402862000	KEYTOP-FNC	1	1/D			F97C852					1360	
6B	4402862000	KEYTOP-FNC	2	1/D			F97C852					1370	
7	4402862010	KEYTOP-65	1	1/D			F97C852					1370	
8	4402862020	KEYTOP-141	1	1/D			F97C852					1370	
9	4402862030	KEYTOP-DSP	1	1/D			F97C852					1370	
10	4402842250	ARM-SLIDE-V	1	1/P									
11	4402842260	BLIND-SLIDE-V	1	1/P									
12	4402862040	KNOB-SLIDE	1	1/D			F97C852						
13	4402842300	COV-IN	1	1/PP									
14	4402842310	BRKT-CONP	2	1/P									
15	4402858050	PWA-F-PNL-121	1	1/SB								1370	
16	4402858600	WH-PNL-121	1	1/P									
17	4400357700	CTR-E650B-523	1	1/C									
18	4402842350	SHIELD-MYLAR	1	1/KP									
19	4402861800	PANEL-DSP-1360	1	1/C			F97C852					1360	
20	4402858110	PWA-F-PNL-120	1	1/SB								1360	
21	4400553200	LBL/W-DRUM	1	1/KP									
41	4842040848	PTBR30*12MSZN3A	2	50/P				41-1					
41-1	X0-01514000	S/TPP/BRZ-3X12-ZC	2	10/P		CE F	G02A893			41			
42	4842040495	PTBR30*06MSZN3A	15	50/P									
43	4842040692	TZPAN3008MSZN3L	2	50/P									
44	4842040690	TZPAN3006MSZN3L	3	50/P									
44-1	X0-01458000	S/TPS/FPAN-3X6-ZB	3	10/P		CE F	G02A893	44-1		44			



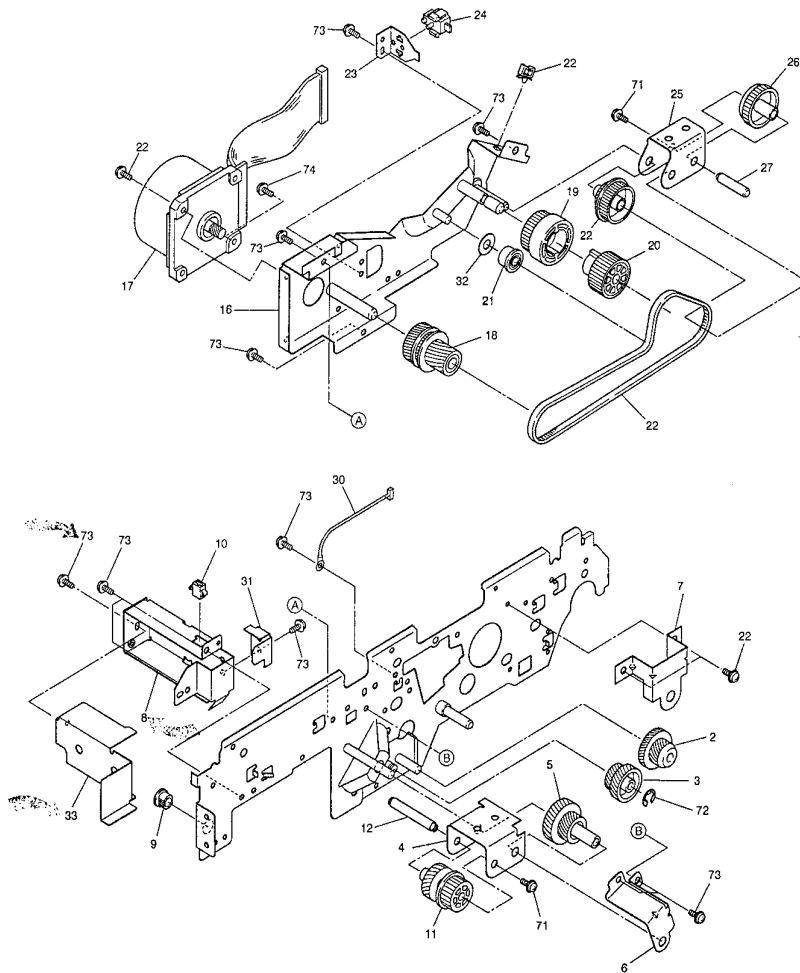


Item No.	Parts No.	Parts Name	Qty/ Page	Qty/ Pack	Price ()	P I R	BSI No.	To Page, Item	T	From Page, Item	Serial No.	Remarks	Catg.
1	4402841810	COVER-PLATEN	1	1/PP									
2	4402841830	SHEET-PLATEN-JU	1	1/KP				2-1					
2-1	4402861780	SHEET-PLATEN-JU	1	1/KP		CEH	F99I753			2			
3	4402841840	TOP-POCKET	1	1/PP									
4	4402841850	HINGE-PLATEN	1	1/P									
5	4402841870	BKT-HINGE-R	1	1/P									
6	4402841880	BKT-HINGE-L	1	1/P									
31	4842040846	PTBR30*08MSZN3A	4	50/P				32-1					
32	4842040704	TZPAN4012MSZN3L	2	50/P									
32-1	X0-01461000	S/TPS/FPAN-4X12-Z B	2	10/P		CE F	G02A893			32			

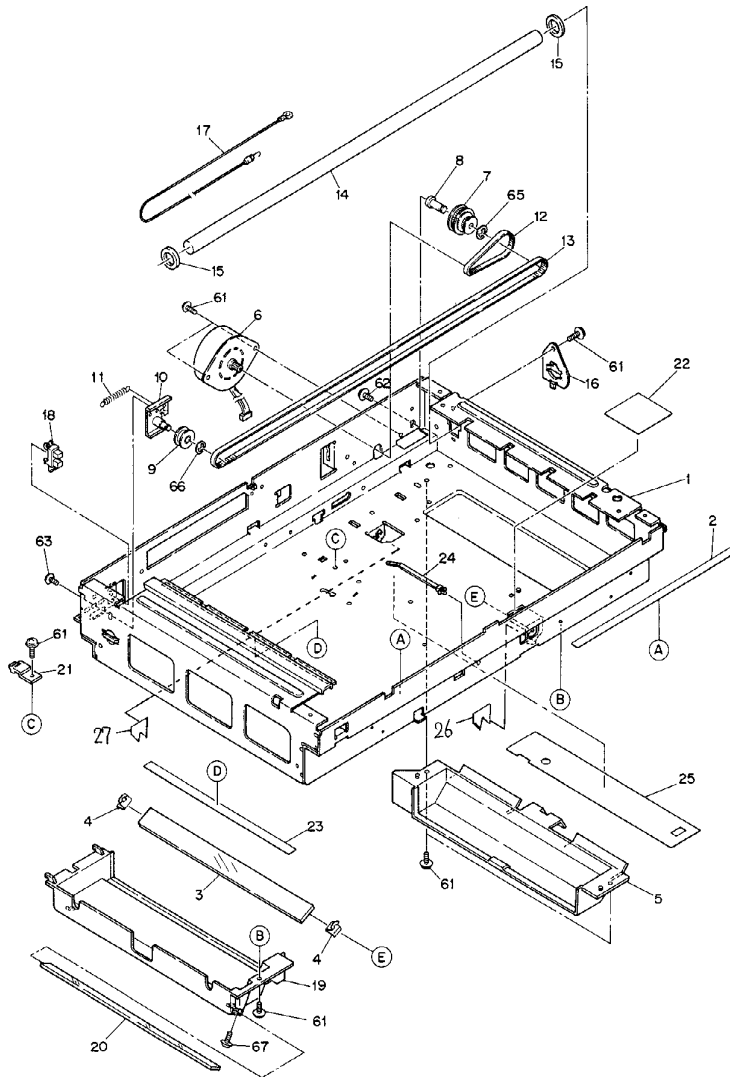
Item No.	Parts No.	Parts Name	Qty/ Page	Qty/ Pack	Price ()	P I R	BSI No.	To Page, Item	T	From Page, Item	Serial No.	Remarks	Catg.
1	4402843020	FRAME-UP-F	1	N/A***									
2	4402843860	ACTR-SW-SHELL	1	1/P									
3	4402843330	SHAFT-ARM-LOCK	1	1/P									
4	4402843340	ARM-LOCK-F	1	1/P									
5	4402843950	LABEL-ARM-LOCK	1	5/P									
6	4402843350	ARM-LOCK-R	1	1/P									
7	4402843960	SPE-ARM-LOCK	1	5/P									
8	4402847230	GUIDE-CLN	1	1/P									
9	4402843140	GUIDE-DEV	1	1/P									
10	4402843200	ASM-BAR-TORSION	1	1/P									
12	4402844080	MYLAR-GUIDE-CL2	1	5/KP									
13	4402844210	SPL-ROL-GUIDE	2	1/P									
14	4402844220	ROLLER-GUIDE-CL	2	1/P									
41	4842040690	TZPAN3006MSZN3L	10	50/P									
41-1	X0-01458000	S/TPS/FPAN-3X6-ZB	10	10/P		CE F	G02A893	41-1		41			
42	7640300851	ZPAN30*08MSZN3A	2	50/P									
42-1	X0-00073000	S/PAN/SWWP-M3X8-ZC	2	10/P		CE F	G02A893	42-1		42			
43	7405005031	ERR050SKZN3A	1	50/P									
43-1	X0-01266000	RR/E-5-ZC	1	10/P		CE F	G02A893	43-1		43			
44	4842040692	TZPAN3008MSZN3L	1	50/P									



Item No.	Parts No.	Parts Name	Qty/ Page	Qty/ Pack	Price ()	P I R	BSI No.	To Page, Item	T	From Page, Item	Serial No.	Remarks	Catg.
1	4402844270		1	N/A***									
2	4402853110	GEAR-0.8-Z32-20	1	1/P									
3	4402853100	GEAR-0.8-Z28-20	1	1/P									
4	4402853010	BRKT-ARM-FUSER	1	1/P									
5	4402853020	GEAR-0.8-Z35-20	1	1/P									
6	4402853170	BRKT-SFT-ARM-FU	1	1/P									
7	4402853160	BRKT-DRIVE-DEV	1	1/P									
8	4402844230	BRKT-COV-R	1	1/P				8-1					
8-1	4402863740	BRKT-COV-R	1	1/P		CBC	G00K147			8			
9	4843390803	CLP/W-OCB-375	1	5/P				9-1					
9-1	F0-00370000	OCB-375	1	5/P		CEF	G02A893			9			
10	4843306486	J-0-175694-3	1	5/P				10-1					
10-1	E0-02242000	175694-3	1	5/P		CEF	G02A893			10			
11	4402853030	GEAR-20/0.8-Z28	1	1/P									
12	4402853040	STUD-6-41-M3	1	1/P									
16	4402853080	K-FRAME-DRIVE	1	1/P									
17	4402858800	M/DC-MAIN-121	1	1/C									
18	4402852860	K-PLY/T-3M-MTR	1	1/P									
19	4402852880	K-PLY/T-3M-DEV	1	1/P									
20	4402852900	GEAR-Z26-DEV	1	1/P									
21	4400353370	PLY-TENSION-F	1	1/P									
22	4402852910	PLY/T-3M-30-FED	1	1/P									
23	4402853180	BRKT-FULL-SW	1	1/P									
24	4402859600	SP-CS3A-B2BA	1	1/D									
25	4402853200	BRKT-ARM-FEED	1	1/P									
26	4402852960	GEAR-0.8-Z37	1	1/P									
27	4402852970	STUD-6-26-M3	1	1/P									
28	4402852920	BLT/T-73133-4	1	1/P									
29	4843390887	CLP/W-WS-1U	1	5/P				29-1					
29-1	F0-00337000	WS-1U	1	5/P		CEF	G02A893			29			
30	4402842890	THMS-DRUM-121	1	1/C									
31	4402844260	BRKT-COV-R-SUB	1	1/P									
32	4348141020	WASHER	1	10/P									
33B	4402863750	BRKT-COV-R2	1	1/P		ABC	G00K147					MCD,UKD	
71	7640300851	ZPAN30*08MSZN3A	2	50/P				71-1					
71-1	X0-00073000	S/PAN/SWWP-M3X8-ZC	2	10/P		CEF	G02A893			71			
72	7405005031	ERR050SKZN3A	1	50/P				72-1					
72-1	X0-01266000	RR/E-5-ZC	1	10/P		CEF	G02A893			72			
73	4842040690	TZPAN3006MSZN3L	12	50/P				73B 73A					
73A	4842040690	TZPAN3006MSZN3L	12	50/P		CBC	G00K147			73			
73A1	X0-01458000	S/TPS/FPAN-3X6-ZB	12	10/P		CEF	G02A893	73A-1		73A			
73B	4842040690	TZPAN3006MSZN3L	13	50/P		CBC	G00K147	73B-1		73		MCD,UKD	
73B1	X0-01458000	S/TPS/FPAN-3X6-ZB	13	10/P		CEF	G02A893			73B		MCD,UKD	
74	4842040696	TZPAN3012MSZN3L	2	50/P				74-1					
74-1	X0-01455000	S/TPS/FPAN-3X12-ZB	2	10/P		CEF	G02A893			74			

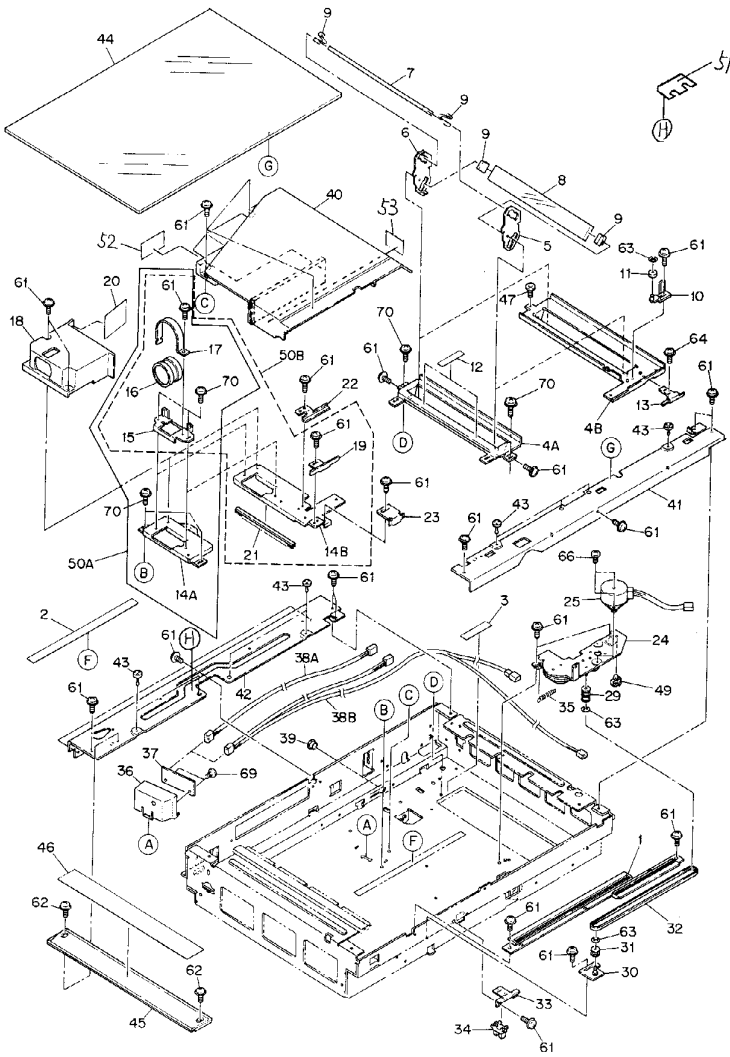


Item No.	Parts No.	Parts Name	Qty/ Page	Qty/ Pack	Price ()	P I R	BSI No.	To Page, Item	T	From Page, Item	Serial No.	Remarks	Catg.
1	4402851520		1	N/A***									
2	4402852990	SHEET-CRG	1	5/KP									
3	4402851550	MIRROR-6-120	1	1/S									
4	4402851560	SPL-MIRROR1-R/6	2	5/P									
5	4402851470	COVER-OPT-L	1	1/PP				5-1					
5-1	4402862080	COVER-OPT-L	1	1/PP			CBD F99B536			5			
6	4402858910	K-M/P-SCN-121	1	1/D									
7	4402851680	PLY/T-25/39	1	1/P									
8	4402851690	STUD-PLY/T-OPT	1	1/P									
9	4402851780	K-PLY/T-ADJ-OPT	1	1/P									
10	4402851750	K-BRKT-BLT-ADJ	1	1/P									
11	4363271330	SPE-063-080-235	1	5/P									
12	4402851710	BLT/T-2M-75-4	1	1/P									
13	4402851700	BLT/T-2M-475-4	1	1/P									
14	4402851660	SHAFT-SCAN-120	1	1/P									
15	4402850700	FELT-OPT-121	2	1/P									
16	4402851810	BRKT-SHAFT-SCAN	1	1/P									
17	4402851730	WIRE/R-SCAN-120	1	1/P									
18	4402842620	SZ-HOME-121	1	1/P									
19	4402851490	COV-OPT-L-SLIT	1	1/PP									
20	4402851480	GLASS-DUSTPROOF	1	1/S									
21	4402850570	HLDR-CABLE-OPT	1	1/P									
22	4402851300	SEAL-HOLE-OPT	1	5/P									
23	4402851370	TAPE-WHITE-120	1	1/KP									
24B	4407737310	BAND-SG-130	1	5/P								1370	
25	4402852790	SEAL-BASE-OPT	1	1/KP									
26	4402851250	SEAL-MIRROR6-F	1	5/P									
27	4402851260	SEAL-MIRROR6-R	1	5/P									
28	4402862090	FELT-OPT-SUB	2	5/P			ABD F99B536						
61	4842040690	TZPAN3006MSZN3L	7	50/P				61-1					
61-1	4842040690	TZPAN3006MSZN3L	5	50/P			D - D F99B536	61-2		61			
61-2	X0-01458000	S/TPS/FPAN-3X6-ZB	5	10/P			CE F G02A893	62-1		61-1			
62	4842040724	TPPAN4006MSZN3L	1	50/P				62-1		62			
62-1	X0-01820000	S/FPAN-M4X6-ZB	1	10/P			CE F G02A893			62			
63	7640300851	ZPAN30*08MSZN3A	1	50/P				63-1					
63-1	X0-00073000	S/PAN/SWWP-M3X8-ZC	1	10/P			CE F G02A893			63			
65	7405007031	ERR070SKZN3A	1	50/P				65-1					
65-1	X0-01268000	RR/E-7-ZC	1	10/P			CE F G02A893			65			
66	7405005031	ERR050SKZN3A	1	50/P				66-1					
66-1	X0-01266000	RR/E-5-ZC	1	10/P			CE F G02A893			66			
67	4842040846	PTBR30*08MSZN3A	1	50/P									
68	4402203820	SCREW-BKT-DEV	2	50/P			CBD F99B536						

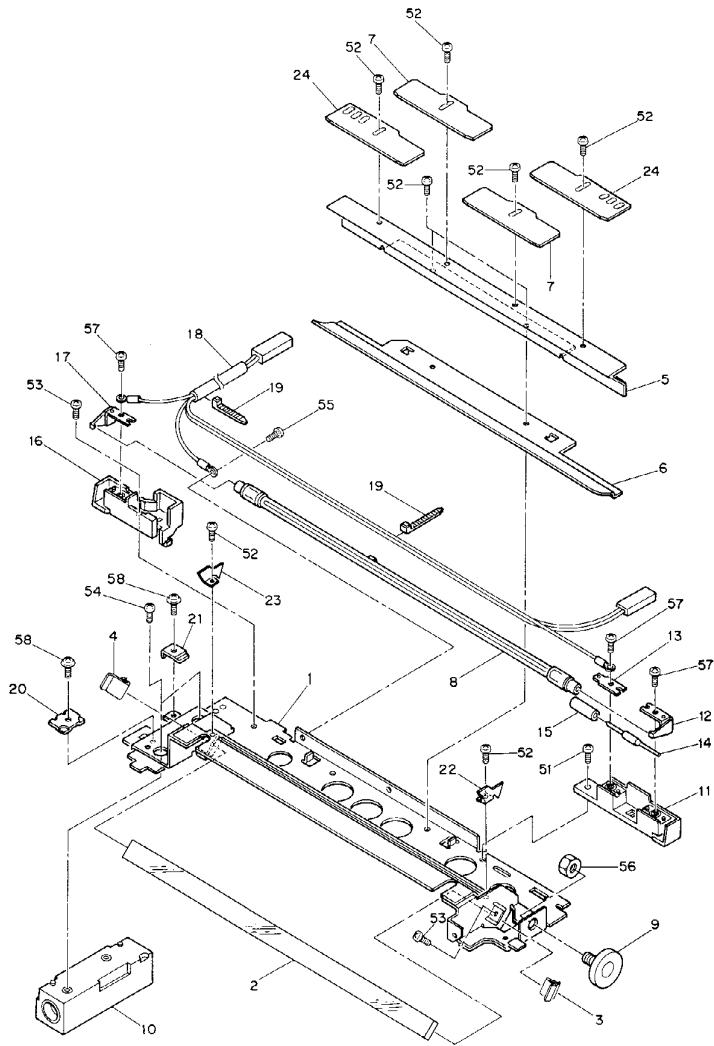


Item No.	Parts No.	Parts Name	Qty/ Page	Qty/ Pack	Price ()	P I R	BSI No.	To Page, Item	T	From Page, Item	Serial No.	Remarks	Catg.
1B	4402851580	GUIDE-L/M	1	1/P								1370	
2B	4402851530	SHEET-LENS	1	5/KP								1370	
3B	4402851540	SHEET-MIRROR	1	5/P								1370	
4A	4402856330		1	N/A***								1360	
4B	4402852620	K-CRG3	1	1/P								1370	
5	4402852060	HOLDER-MIR4/5-F	1	1/P									
6	4402852130	HOLDER-MIR4/5-R	1	1/P									
7	4402852070	MIRROR-4-120	1	1/C									
8	4402852080	MIRROR-5-120	1	1/S									
9	4402852090	SPL-MIRROR4/5	4	5/P									
10B	4402852630	K-BKT-LINK-CRG3	1	1/P								1370	
11B	4402852260	RLR-LINK-CRG3	1	1/P								1370	
12	4402851310	SEAL-CRG3	2	5/P									
13B	4402852120	PL-GUIDE-CRG3	1	1/P								1370	
14A	4402856340	BASE-LENS-1340	1	N/A***								1360	
14B	4402852150	K-BASE-LENS	1	N/A***								1370	
15	4402852250	BRKT-LENS	1	N/A***									
16	4402852180	LENS-155-6.7	1	N/A***									
17	4402852200	BAND-LENS	1	N/A***									
18	4402852210	COVER-LENS	1	1/P									
19B	4402852220	PLATE-H/P-L/M	1	N/A***								1370	
20B	4402851320	SEAL-COV-LENS	1	5/P								1370	
21B	4402851340	BRUSH-BASE-LENS	1	N/A***								1370	
22B	4402852230	PL-GUIDE-LENS	1	1/P								1370	
23B	4402852240	PLATE-BELT-LENS	1	1/P								1370	
24B	4402851910	K-DRIVE-L/M	1	1/P								1370	
25B	4402858820	K-M/P-CAM-121	1	1/C								1370	
29B	4402852000	PLY/T-16-Z20	1	1/P								1370	
30B	4402852710	K-IDLE-L/M	1	1/P								1370	
31B	4402852740	PLY/T-16	1	1/P								1370	
32B	4402852010	BLT/T-2M-242-4	1	1/P								1370	
33B	4402851890	BRKT-SENSOR-L/M	1	1/P								1370	
34B	4402842620	SZ-HOME-121	1	1/P								1370	
35B	4402852750	SPE-CRG3	1	5/P								1370	
36	4402851830	BLK-AES-120	1	1/P									
37	4402858020	PWA-F-AES-121	1	1/C									
38A	4402858710	WH-AES-120	1	1/P								1360	
38B	4402858610	WH-ZOOM-121	1	1/P								1370	
39	4843390803	CLP/W-OCB-375	1	5/P				39-1					
39-1	F0-00370000	OCB-375	1	5/P			CEF G02A893			39			
40	4402851590	COVER-OPT-U	1	1/PP									
41	4402851620	STAY-GLASS-F	1	1/P									
42	4402851630	STAY-GLASS-R	1	1/P									
43	4400831600	CUSH-GLASS	8	5/P									
44	4402851400	GLASS-395-266-4	1	1/S									
45	4402851280	K-PLT-GLASS-ORG	1	1/PP									
46A	4402851430	LBL-SCALE-UC	1	1/KP								USA SIZE	
46B	4402851440	LBL-SCALE-EUR	1	1/KP								EUR SIZE	
47B	4402852360	BOLT-GRG3	1	10/P								1370	
49B	4408363830	CLP/W-UAMS-05-2	1	5/P								1370	
50A	4402854700	ASM-LENS-1340-S	1	1/C								1360	
50B	4402854710	ASM-LENS-1350-S	1	1/C								1370	
51	4402852390	SHEET-STAY-GLAS	1	5/P									
52B	4402852760	MYL-COV-OPT-U	1	5/P								1370	
53A	4402850720	SEAL-COV-OPT-U	1	5/P								1360	
61A	4842040690	TZPAN3006MSZN3L	17	50/P				61A-1				1360	
61A1	X0-01458000	S/TPS/FPAN-3X6-ZB	17	10/P			CEF G02A893			61A		1360	
61B	4842040690	TZPAN3006MSZN3L	28	50/P				61B-1				1370	
61B1	X0-01458000	S/TPS/FPAN-3X6-ZB	28	10/P			CEF G02A893			61B		1370	
62	7043300813	BID30*08MSCR1AI	2	50/P				62-1					
62-1	X0-01278000	S/BID-M3X8-NC	2	10/P			CEF G02A893			62			
63B	7405002531	ERR025SKZN3A	2	50/P				63B-1				1370	
63B1	X0-01262000	RR/E-2.5-ZC	2	10/P			CEF G02A893			63B		1370	
64B	4842040920	TPAN30*04MSZN3A	1	50/P				64B-1				1370	
64B1	X0-01592000	S/TPS/PAN-3X4-ZC	1	10/P			CEF G02A893			64B		1370	

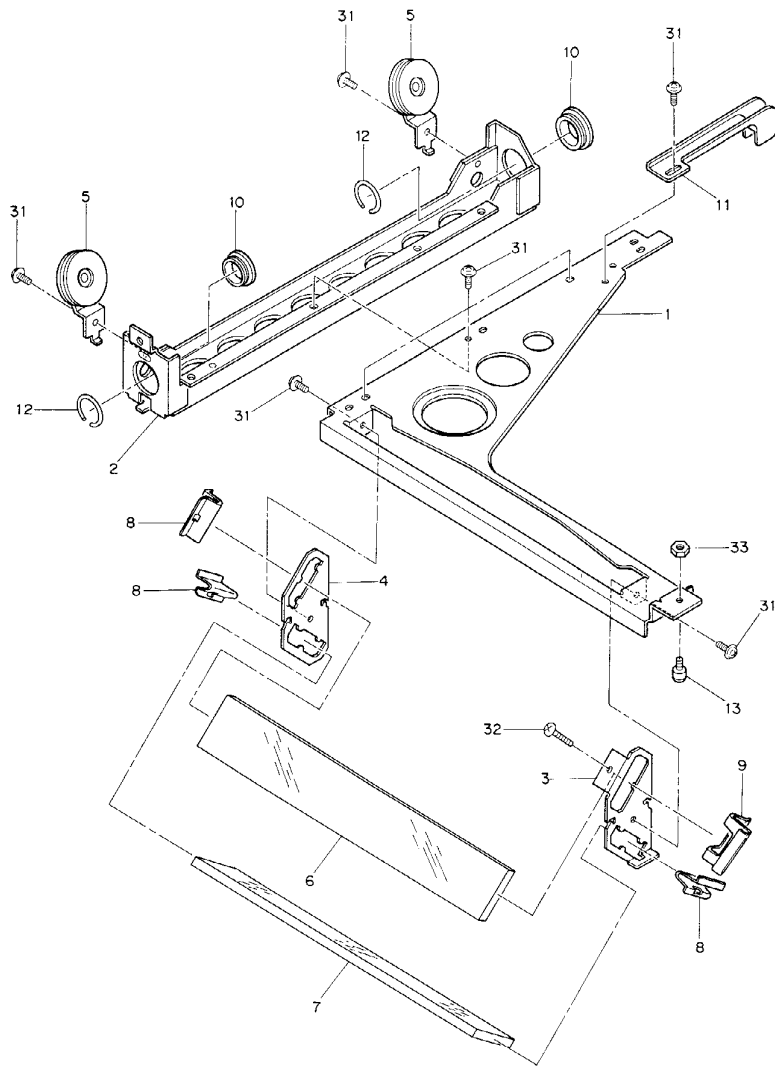
Item No.	Parts No.	Parts Name	Qty/ Page	Qty/ Pack	Price ()	P I R	BSI No.	To Page, Item	T	From Page, Item	Serial No.	Remarks	Catg.
66B	4842040665	TPAN30*06MSZN3L	2	50/P				66B-1				1370	
66B1	X0-01473000	S/TPS/PAN-3X6-ZB	2	10/P		CE F	G02A893			66B		1370	
68B	7405003031	ERR030SKZN3A	3	50/P				68B-1				1370	
68B1	X0-01264000	RR/E-3-ZC	3	10/P		CE F	G02A893			68B		1370	
69	4842040846	PTBR30*08MSZN3A	2	50/P									
70A	4842040710	TPPAN3006MSZN3L	6	50/P				70A-1				1360	
70A1	X0-01815000	S/FPAN-M3X6-ZB	6	10/P		CE F	G02A893			70A		1360	
70B	4842040710	TPPAN3006MSZN3L	2	50/P				70B-1				1370	
70B1	X0-01815000	S/FPAN-M3X6-ZB	2	10/P		CE F	G02A893			70B		1370	



Item No.	Parts No.	Parts Name	Qty/ Page	Qty/ Pack	Price ()	P I R	BSI No.	To Page, Item	T	From Page, Item	Serial No.	Remarks	Catg.
1	4402852490	K-BASE-CRG1	1	1/PP									
2	4402852540	MIRROR-1-120	1	1/S									
3	4402852580	SPL-MIRROR1-F	1	5/P									
4	4402851560	SPL-MIRROR1-R/6	1	5/P									
5	4402852560	REFLECTOR-U-120	1	1/PP									
6	4402852570	REFLECTOR-L-120	1	1/PP									
7	4402852590	PLATE-ADJ-EXPO	2	1/P									
8A	4402859020	LP-92-250W	1	1/S								100V SERIES	
8B	4402859030	LP-184-250W	1	1/S								200V SERIES	
9	4400328270	BRG-DR22	1	1/P									
10	4400326500	K-SLIDER-CRG1	1	1/P									
11	4400327810	HOLDER-BLADE-F	1	1/P									
12	4400326400	BLADE-LAMP-EXPF	1	1/P									
13	4400327800	BLADE-FUSE-EXP	1	1/P									
14	4400321200	K-FU/T-091G4	1	1/P				14-1					
14-1	4402851190	K-FU/T-093G4	1	1/P			CE J F99L905			14			
15	4400358440	TUBE/I-TFE-523	1	5/P									
16	4402852660	HOLDER-BLADE-R	1	1/P									
17	4400326440	BLADE-LAMP-EXPR	1	1/P									
18A	4402858420	WH-EXPO-121	1	1/P								100V SERIES	
18B	4402858520	WH-EXPO-121E	1	1/P								200V SERIES	
19	4346754010	SKB-BAND-1	2	5/P				19-1					
19-1	F0-00521000	SKB-1	2	5/P			CE F G02A893			19			
20	4402851720	PLATE-BELT-120	1	1/P									
21	4402851800	PLATE-WIRE-120	1	1/P									
22	4402851380	REFL-SIDE-F	1	1/P									
23	4402851390	REFL-SIDE-R	1	1/P									
24	4402852610	PL-ADJ-EXPO-FR	2	1/P									
51	7040300611	PAN30*06MSZN3AI	1	50/P				51-1					
51-1	X0-00053000	S/PAN-M3X6-ZC	1	10/P			CE F G02A893			51			
52	7040300411	PAN30*04MSZN3A	8	50/P				52-1					
52-1	X0-00039000	S/PAN-M3X4-ZC	8	10/P			CE F G02A893			52			
53	7040301011	PAN30*10MSZN3A	2	50/P				53-1					
53-1	X0-00088000	S/PAN-M3X10-ZC	2	10/P			CE F G02A893			53			
54	7640300651	ZPAN30*06MSZN3A	2	50/P				54-1					
54-1	X0-00056000	S/PAN/SWWP-M3X6-ZC	2	10/P			CE F G02A893			54			
55	4842040480	THPAN3006MSZN3L	1	50/P									
56	7360600011	6/0NUT60MSZN3A	1	50/P									
57	7040300660	PAN30*06BSDG	3	50/P				57-1					
57-1	X0-01529000	S/PAN-M3X6-BS	3	10/P			CE F G02A893			57			
58	7640300851	ZPAN30*08MSZN3A	2	50/P				58-1					
58-1	X0-00073000	S/PAN/SWWP-M3X8-ZC	2	10/P			CE F G02A893			58			

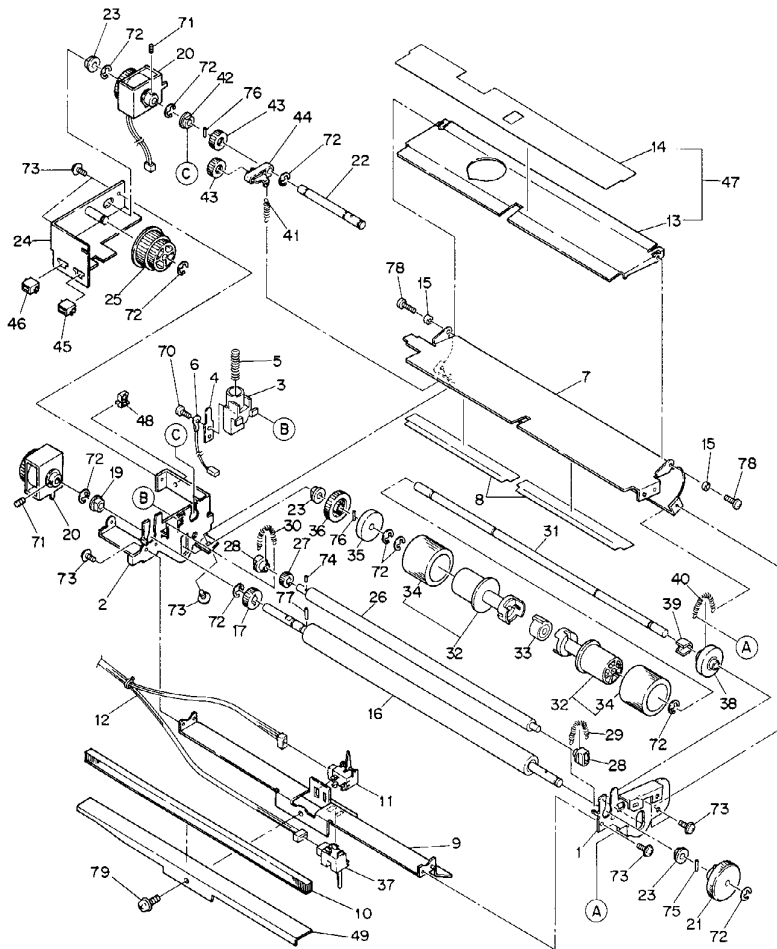


Item No.	Parts No.	Parts Name	Qty/ Page	Qty/ Pack	Price ()	P I R	BSI No.	To Page, Item	T	From Page, Item	Serial No.	Remarks	Catg.
1	4402852290	BASE-CRG2	1	N/A***									
2	4402852300	GUIDE-CRG2	1	1/P									
3	4402852370	HLDER-MIR2/3-F	1	1/P									
4	4402852320	HLDER-MIR2/3-R	1	1/P									
5	4402852330	K-PLY/Z-WIRE	2	1/P									
6	4402852400	MIRROR-2-120	1	1/C									
7	4402852410	MIRROR-3-120	1	1/C									
8	4402852420	SPL-MIRROR2/3	2	1/P									
9	4402852440	SPL-MIRROR2-F	1	1/P									
10	4400327110	BUSH-CRG2	2	1/P									
11	4400329240	GUIDE-CABLE-V	1	1/P									
12	4400329610	RING-CRG2-V	2	5/P									
13	4400328470	FOOT-CRG	1	1/P									
14	4402851560	SPL-MIRROR1-R/6	1	5/P									
31	4842040690	TZPAN3006MSZN3L	8	50/P									
31-1	X0-01458000	S/TPS/FPAN-3X6-ZB	8	10/P		CE F	G02A893			31			
32	7040301211	PAN30*12MSZN3AI	1	50/P						32-1			
32-1	X0-00098000	S/PAN-M3X12-ZC	1	10/P		CE F	G02A893			32			
33	7360300011	6/0NUT30MSZN3A	1	50/P									

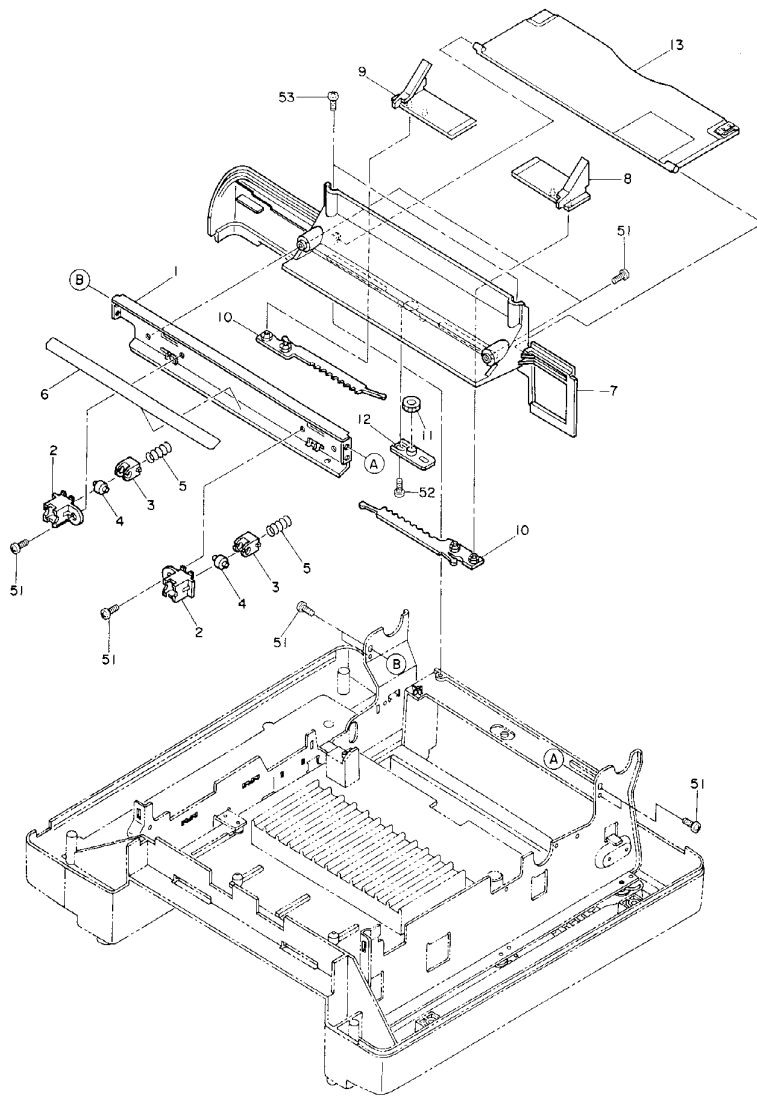


Item No.	Parts No.	Parts Name	Qty/ Page	Qty/ Pack	Price ()	P I R	BSI No.	To Page, Item	T	From Page, Item	Serial No.	Remarks	Catg.
1	4402845710	FRAME-FEED-F	1	1/P									
2	4402845750	FRAME-FEED-R	1	1/P									
3	4402843700	TERMINAL-BIAS	1	1/P									
4	4402843710	PLT-BIAS	1	1/P									
5	4400532330	SPC-BIAS-240	1	5/P									
6	4402858690	WH-DEV-BIAS-121	1	1/P									
7	4402844810	K-GUIDE-P-L	1	1/KP									
8	4402844850	MYLAR-GUIDE-L	2	5/KP									
9	4402845860	STAY-FEED	1	1/P									
10	4402845040	BRUSH-ALIGN-L	1	1/S									
11	4402842640	SZ-RGT-121	1	1/P									
12	4402858640	WH-FED-121	1	1/P									
13	4402843110		1	N/A***									
14	4402843130		1	N/A***									
15	4350120890	CLR-030X0030F	2	5/P									
16	4402844410	ROLLER-ALIGN-L	1	1/KP									
17	4402845180	GEAR-Z30-0.5	1	1/P									
19	4407734980	BUSH-6-GCB	1	5/P									
20	4402858980	CLT-30E-CW-30	2	1/D				20-1					
20-1	4402846190	CLT-30E-CW-30	1	1/D			CBD F98K438			20			
21	4402845890	KNOB-RGT	1	1/P									
22	4402845340	SHAFT-CLT-FEED	1	1/P									
23	4400802070	BUSH-6L	3	5/P									
24	4402844440	BKT-CLH-FEED-1	1	1/P									
25	4402845080	GEAR-Z27-Z35	1	1/P									
26	4402844460	ROLLER-ALIGN-U	1	1/KP									
27	4402845190	GEAR-Z20-0.5	1	1/P									
28	4402845260	BUSH-ALIGN-U	2	5/P									
29	4402845830	SPE-ROL-RGT-F	1	5/P								YELLOW	
30	4402845840	SPE-ROL-RGT-R	1	5/P								BLACK	
31	4402845140	SHAFT-ROL-FEED	1	1/P									MSP
32	4402845130	K-ROLL-FEED	2	1/P									
33	4402833100	CLUTCH-6-R	1	1/P									
34	4402845120	ROL-FEED-120	2	1/P									
35	4402845770	ROL-GUIDE-FED-R	1	1/P									
36	4402845380	GEAR-Z25-0.8	1	1/P									
37	4402842630	SZ-P-EMP-121	1	1/P									
38	4402845760	ROL-GUIDE-FED-F	1	1/P									
39	4407972860	STOP-RING-6-5	1	5/P									
40	4402845780	SPE-ROL-FEED-F	1	5/P									
41	4402845790	SPE-ROL-FEED-R	1	5/P									
42	4402845930	BUSH-CLT	1	5/P									
43	4402845360	GEAR-Z15-0.8	2	1/P									
44	4402845920	ARM-JOINT-CLT	1	1/P									
45	4843308158	J-6-175694-2	1	1/P				45-1				BLACK	
45-1	E0-02248000	6-175694-2	1	1/P			CEF G02A893			45		BLACK	
46	4843306485	J-0-175694-2	1	5/P				46-1		46		WHITE	
46-1	E0-00116000	175694-2	1	5/P			CEF G02A893			46		WHITE	
47	4402843100	K-GUIDE-P-U	1	1/KP									
49	4402846040	BRKT-BRUSH-ALN	1	1/P									
50	4402844450	STUD-6-23-M3	1	5/P									
70	4842040846	PTBR30*08MSZN3A	1	50/P									
71	4842011063	9HSS30/05MSFB	2	50/P				71-1					
71-1	X0-00731000	S/SET/K-M3X5-B	2	10/P			CEF G02A893			71			
72	7405005031	ERR050SKZN3A	9	50/P				72-1					
72-1	X0-01266000	RR/E-5-ZC	9	10/P			CEF G02A893			72			
73	4842040665	TPAN30*06MSZN3L	7	50/P				73-1					
73-1	X0-01473000	S/TPS/PAN-3X6-ZB	7	10/P			CEF G02A893			73			
74	4842904018	HPIN20/06SUSH7	1	50/P				74-1					
74-1	X0-01166000	P/PRL/AH7-2X6-SS	1	10/P			CEF G02A893			74			
75	4842904020	HPIN20/12SUSH7	1	10/P				75-1					
75-1	X0-01526000	P/PRL/AH7-2X12-SS	1	10/P			CEF G02A893			75			
76	4407403790	NPIN2-8	2	10/P									
77	4842904035	HPIN20/10SUSH7	1	50/P				77-1					
77-1	X0-00980000	P/PRL/AH7-2X10-SS	1	10/P			CEF G02A893			77			

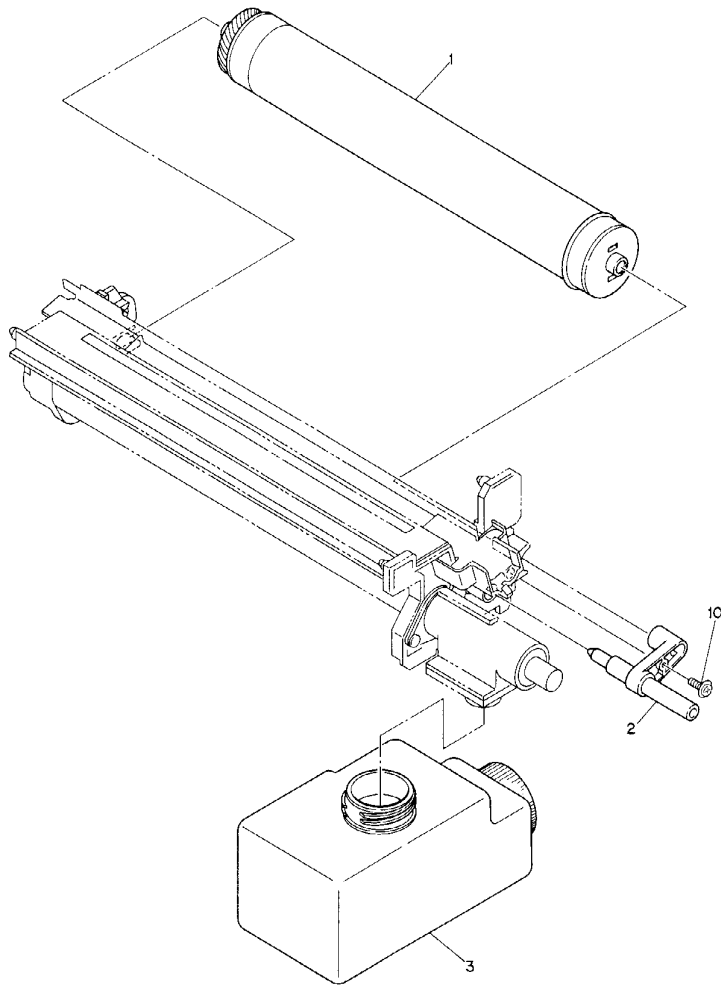
Item No.	Parts No.	Parts Name	Qty/ Page	Qty/ Pack	Price ()	P I R	BSI No.	To Page, Item	T	From Page, Item	Serial No.	Remarks	Catg.
78	4842040666	TPAN30*08MSZN3L	2	50/P				78-1					
78-1	X0-01474000	S/TPS/PAN-3X8-ZB	2	10/P		CE F	G02A893			78			
79	4842040690	TZPAN3006MSZN3L	1	50/P				79-1					
79-1	X0-01458000	S/TPS/FPAN-3X6-ZB	1	10/P		CE F	G02A893			79			
80	7043300613	BID30*06MSCR1AI	1	50/P				80-1					
80-1	X0-01277000	S/BID-M3X6-NC	1	10/P		CE F	G02A893			80			

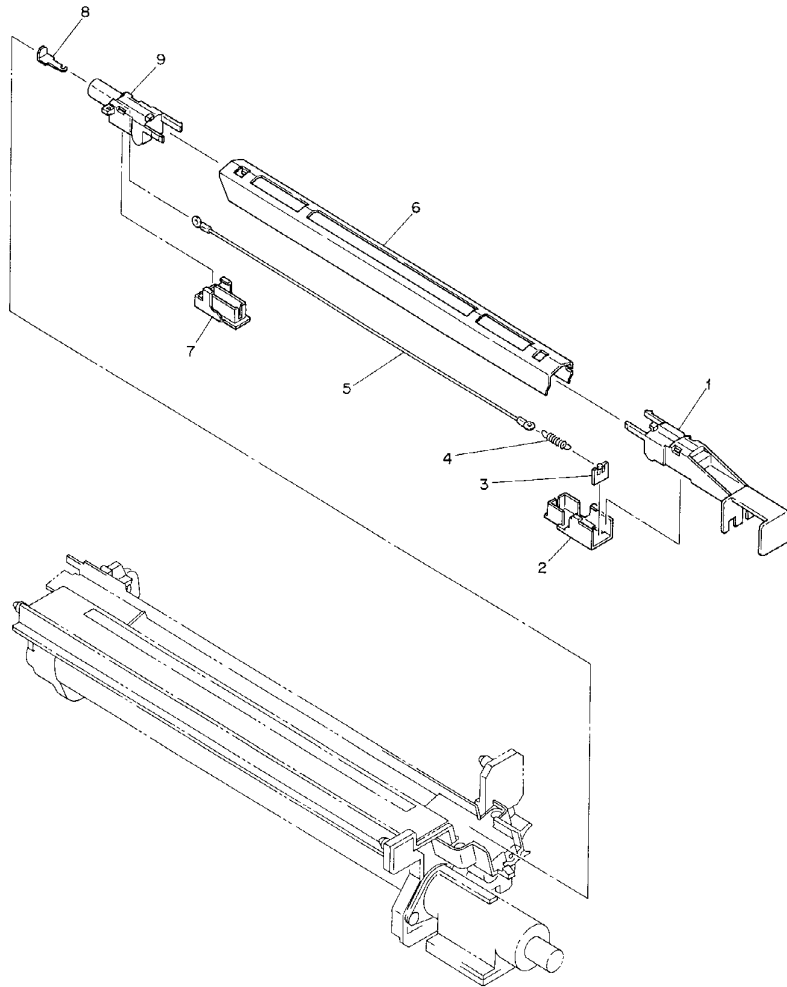


Item No.	Parts No.	Parts Name	Qty/ Page	Qty/ Pack	Price ()	P I R	BSI No.	To Page, Item	T	From Page, Item	Serial No.	Remarks	Catg.
1	4402843150	STAY-DEV-PUSH	1	1/P									
2	4402843900	HOLDER-DEV	2	1/P									
3	4402843910	PUSHER-DEV	2	1/P									
4	4402843920	ROLLER-PUSHER	2	5/P									
5	4402844120	SPC-STAY-PUS-DN	2	5/P									
6	4402843870	MYLAR-STAY	1	5/KP									
7	4402841630	COVER-RIGHT-L	1	1/PP									
8	4402845600	GUIDE-BYPASS-F	1	1/P									
9	4402845610	GUIDE-BYPASS-R	1	1/P									
10	4402845620	RACK-BYPASS	2	1/P									
11	4402845660	PINION-08-14	1	5/P									
12	4402845630	K-PLT-ADJUST	1	1/P									
13A	4402841900	K-COV-BYPASS-LT	1	1/PP								LT SIZE	
13B	4402841910	K-COV-BYPASS-A4	1	1/PP								A4 SIZE	
51	4842040690	TZPAN3006MSZN3L	8	50/P				51-1					
51-1	X0-01458000	S/TPS/FPAN-3X6-ZB	8	10/P		CE F	G02A893			51			
52	7120300611	12PAN3006MSZN3A	1	50/P									
53	4842040846	PTBR30*08MSZN3A	2	50/P									

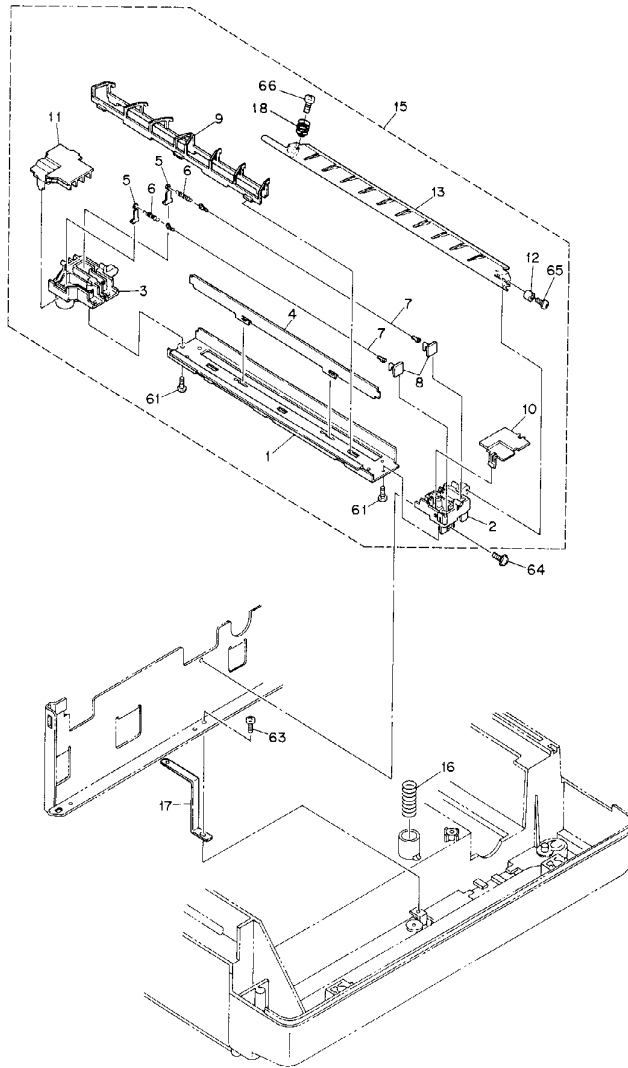


Item No.	Parts No.	Parts Name	Qty/ Page	Qty/ Pack	Price ()	P I R	BSI No.	To Page, Item	T	From Page, Item	Serial No.	Remarks	Catg.
1	66084569	OD-1350	1	SUPPLY				1-1					
1-1	4409832520	OD-1350	1	1/S		CE J	F99D590			1			DRM
2	4402849420	DRUM-SHAFT	1	1/P									
3A	66084575	TB-1350	1	SUPPLY								10QTY/SET	SUP
3B	66084576	TB-1350E	1	SUPPLY								FOR EUR.	SUP
10	4842040714	TPPAN3010MSZN3L	1	50/P				10-1					
10-1	X0-01809000	S/FPAN-M3X10-ZB	1	10/P		CE F	G02A893			10			

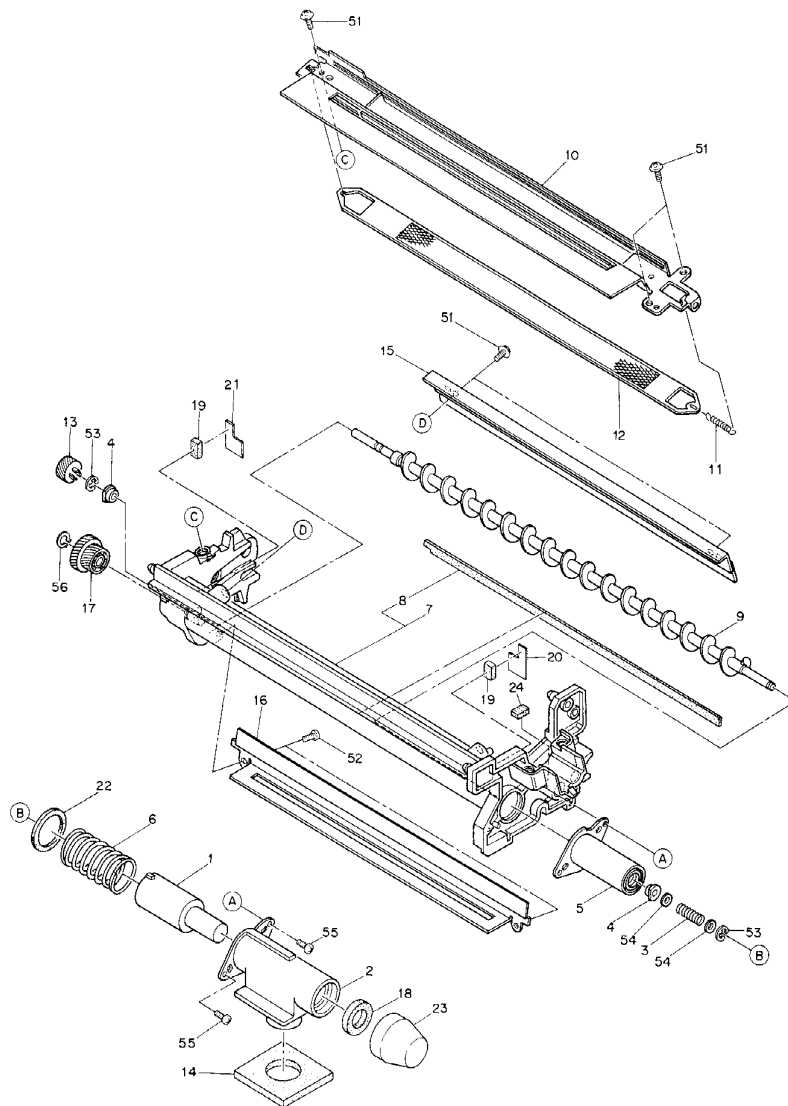




Item No.	Parts No.	Parts Name	Qty/ Page	Qty/ Pack	Price ()	P I R	BSI No.	To Page, Item	T	From Page, Item	Serial No.	Remarks	Catg.
1	4402849030	CASE-CH-TR	1	1/P									
2	4402849010	TERMINAL-F	1	1/P									
3	4402849020	TERMINAL-R	1	1/P									
4	4402849050	PLATE-CH-TR	1	1/P									
5	4402849060	PLT-CONNECT-TR	2	5/P									
6	4407402190	SPRING-TENS-CH	2	5/P									
7	4402849370	WIRE-CH-263	2	5/S									MSP
8	4400768230	HANGER-WIRE-H	2	1/P									
9	4402849380	SUPPORTOR-N	1	1/P									
10	4402849080	LID-F	1	1/P									
11	4402849090	LID-R	1	1/P									
12	4350120890	CLR-030X0030F	1	5/P									
13	4402849460	GUIDE-PAPER-LOW	1	1/P									
15	4402849000	ASM-CH-TR	1	1/C									
16	4402849400	SPC-CH-TR	1	5/P									
17	4402843730	PLT-EARTH-TR	1	1/P									
18	4402849470	SPC-BIAS-G-U	1	5/P									
61	4842040846	PTBR30*08MSZN3A	2	50/P									
63	4842040692	TZPAN3008MSZN3L	1	50/P									
64	4842040694	TZPAN3010MSZN3L	1	50/P				64-1					
64-1	X0-01555000	S/TPB/FPAN-3X10-Z B	1	10/P			CE F G02A893			64			
65	7120300811	12PAN3008MSZN3A	1	50/P									
66	7040300611	PAN30*06MSZN3AI	1	50/P				66-1					
66-1	X0-00053000	S/PAN-M3X6-ZC	1	10/P			CE F G02A893			66			

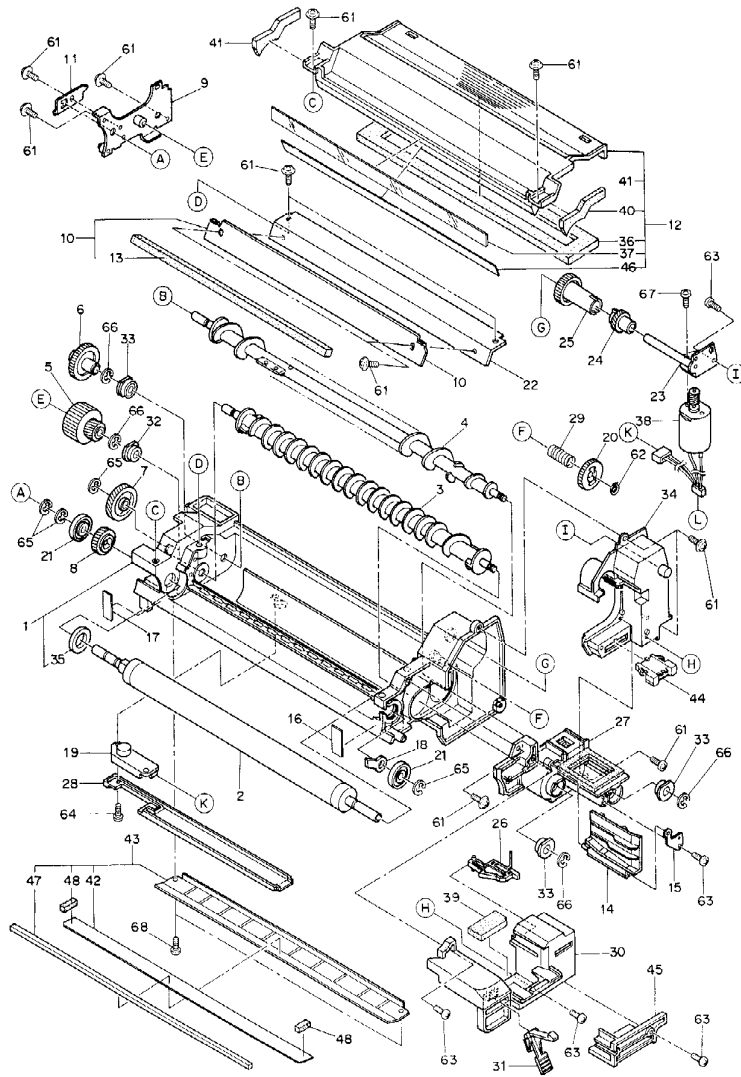


Item No.	Parts No.	Parts Name	Qty/ Page	Qty/ Pack	Price ()	P I R	BSI No.	To Page, Item	T	From Page, Item	Serial No.	Remarks	Catg.
0	4402850100	ASM-CLEANER	1	1/C									
1	4402850230	PUSHER-NOZZLE	1	1/P									
2	4402850250	NOZZLE-CLN-OUT	1	1/P									
3	4402850480	SPC-AUG120	1	5/P									
4	4407683340	BUSH-4	2	5/P									
5	4402850240	NOZZLE-CLN-IN	1	1/P									
6	4402850260	SPC-1.0-22.5	1	1/P									
7	4402850110	K-FRM-CLN	1	1/PP									
8	4402850340	SEAL-U-CL	1	5/KP									
9	4402850220	K-AUGER-CLN-120	1	1/P									
10	4402850140	PLATE-ROOF	1	1/P									
11	4400537630	SPE-GR	1	5/P									
12	4402850150	GRID-120	1	1/KP									MSP
13	4402850400	GEAR-15-0.8	1	1/P									
14	4402850460	SEAL-CL-NOZZLE	1	1/P									
15	4409832880	BL-1350D	1	1/PAC									CSP
16	4402850190	K-BLADE-REC	1	1/S									MSP
17	4402850410	GEAR-25-18	1	1/P									
18	4402850330	SEAL-NOZZLE	1	5/P									
19	4402850500	SEAL-CL-U	2	5/P									
20	4402850520	SEAL-CL-F-L	1	5/P									
21	4402850530	SEAL-CL-R-L	1	5/P									
22	4402850540	SEAL-NOZZLE-IN	1	5/P									
23	4402850550	CAP-CLN-U-TNR	1	1/P									
24	4402850590	SEAL-STOP-DRUM	1	5/P									
51	7640300651	ZPAN30*06MSZN3A	5	50/P				51-1					
51-1	X0-00056000	S/PAN/SWWP-M3X6-ZC	5	10/P			CE F G02A893			51			
52	4842040846	PTBR30*08MSZN3A	2	50/P									
53	7405003031	ERR030SKZN3A	2	50/P				53-1					
53-1	X0-01264000	RR/E-3-ZC	2	10/P			CE F G02A893			53			
54	7400104011	IHWAS040MSZN3A	2	50/P				54-1					
54-1	X0-00936000	W/PL/PJO-4-ZC	2	10/P			CE F G02A893			54			
55	4842040847	PTBR30*10MSZN3A	2	50/P				55-1					
55-1	X0-01513000	S/TPP/BRZ-3X10-ZC	2	10/P			CE F G02A893			55			
56	7403006039	CRR/S060SKFB	1	50/P				56-1					
56-1	X0-01244000	RR/C/EXT-6-B	1	10/P			CE F G02A893			56			

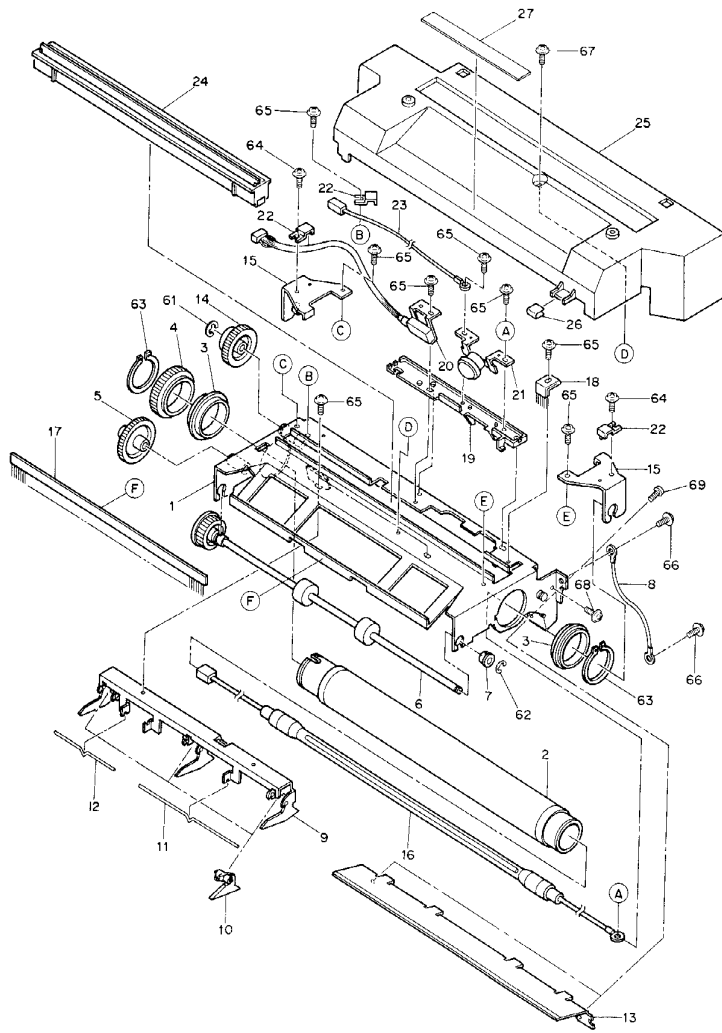


Item No.	Parts No.	Parts Name	Qty/ Page	Qty/ Pack	Price ()	P I R	BSI No.	To Page, Item	T	From Page, Item	Serial No.	Remarks	Catg.	
0A	4402849800	ASM-DEVELOPER-U	1	1/C								W/O-I12-USA W/O-I12-EUR		
0B	4402849810	ASM-DEVELOPER	1	1/C										
1	4402849870	K-CASING-DEV	1	1/PP										
2	4402849840	MG-ROLL-120	1	1/S										
3	4402847800	MIXER-1-120	1	1/KP										
4	4402847760	K-MIXER-2-120	1	1/C										
5	4402847820	GEAR-26-14	1	1/P										
6	4402847830	GEAR-26	1	1/P										
7	4402847840	GEAR-28	1	1/P										
8	4402847850	GEAR-21	1	1/P										
9	4402848280	K-PLATE-DEV	1	1/P										
10	4402847670	K-DOCTOR-120	1	1/P										
11	4402847890	SPL-MG	1	1/P										
12	4402849860	K-COV-DEV	1	1/C										
13	4402848750	SEAL-DC	1	5/P										
14	4402848300	LID-NOZZLE-D	1	1/P										
15	4402848390	PLT-LID-TNR	1	5/P										
16	4402848000	SEAL-SIDE-F	1	5/P										
17	4402848010	SEAL-SIDE-R	1	5/KP										
18	4402848020	BUSH-DEV	1	5/P										
19	4402859550	SNR-ATC-121	1	1/D								U.S.A/CANADA FOR EUROPE		
20A	4402848530	GEAR-CPG-TNR-U	1	1/P										
20B	4402848080	GEAR-CPG-TNR	1	1/P										
21	4402848100	ROLL-GUIDE-120	2	1/P										
22	4402848110	BRKT-DOCTOR	1	1/P										
23	4402848200	K-BRKT-T-MOT	1	1/P										
24	4402848150	WHEEL-Z30-JOINT	1	1/P										
25	4402847690	GEAR-Z26-JOINT	1	1/P										
26	4402848220	HOOK-TNR-B	1	1/P										
27	4402847710	K-NOZ-DEV-120	1	1/D										
28	4402848260	COVER-ATS	1	1/P										
29	4402848290	SPC-CPG-TNR	1	5/P										
30	4402848310	COV-DEV-F	1	1/P										
31	4402848330	HOOK-TNR-A	1	1/P										
32	4407728150	BUSH-6-GCB	1	5/P										
33	4400541340	K-BUSH-6-10	3	1/P										
34	4402848090	COV-T-MOT	1	1/P										
35	4402848830	SEAL-DEV-SL	1	5/P										
36	4402848230	SEAL-COV-DEV	1	1/P										
37	4402847990	BLADE-DEV-SL	1	5/KP										
38	4402858840	K-M/DC-TNR-121	1	1/C				38-1						
38-1	4402861760	K-M/DC-TNR-123	1	1/C		CEH	G01L847			38				
39	4402848780	SEAL-COV-DEV-F	1	5/P										
40	4402848980	SEAL-COV-DEV-F	1	5/P										
41	4402848990	SEAL-COV-DEV-R	1	5/P										
42	4402848910	MYLAR-GUIDE-DEV	1	5/KP										
43	4402848900	K-GUIDE-PAPER-D	1	1/P										
44	4843308027	J-53358-0810	1	10/P				44-1						
44-1	E0-02706000	53358-0810	1	10/P		CEF	G02A893			44				
45B	4402848970	COV-DEV-CNCT	1	1/P								200V SERIES		
46	4402847660	BLADE-DEV-SL2	1	5/KP										
47	4402848880	SEAL-GUIDE-CR	1	5/KP										
48	4402848870	SEAL-DEV-GP	2	5/P										
49	4402848670	SHEET-DEV	1	1/KP										
50	4402849850	SEAL-SL	1	5/P										
51	4402849830	LBL-DEV	1	10/P										
61	7640300851	ZPAN30*08MSZN3A	12	50/P				61-1						
61-1	X0-00073000	S/PAN/SWWP-M3X8-ZC	12	10/P		CEF	G02A893			61				
62	7403004039	CRR/S040KFB	1	50/P				62-1						
62-1	X0-01564000	RR/C/EXT-4-B	1	10/P		CEF	G02A893			62				
63	4842040846	PTBR30*08MSZN3A	6	50/P										
64	7043300664	BID30*06BSCR3CI	1	50/P				64-1						
64-1	X0-01560000	S/BID-M3X6-BSNC	1	10/P		CEF	G02A893			64				
65	7405005031	ERR050SKZN3A	4	50/P				65-1						

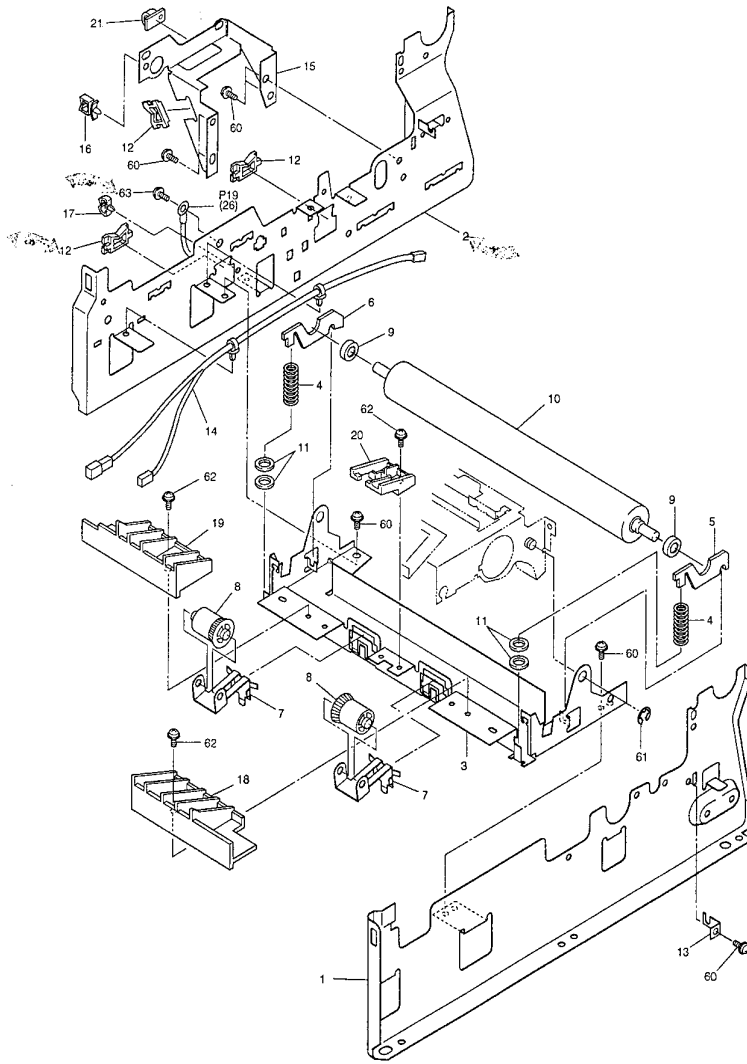
Item No.	Parts No.	Parts Name	Qty/ Page	Qty/ Pack	Price ()	P I R	BSI No.	To Page, Item	T	From Page, Item	Serial No.	Remarks	Catg.
65-1	X0-01266000	RR/E-5-ZC	4	10/P		CE F	G02A893			65			
66	7405004031	ERR040SKZN3A	4	50/P				66-1					
66-1	X0-01265000	RR/E-4-ZC	4	10/P		CE F	G02A893			66			
67	7040260411	PAN26*04MSZN3AI	1	50/P				67-1					
67-1	X0-00282000	S/PAN-M2.6X4-ZC	1	10/P		CE F	G02A893			67			
68	4842040495	PTBR30*06MSZN3A	2	50/P									



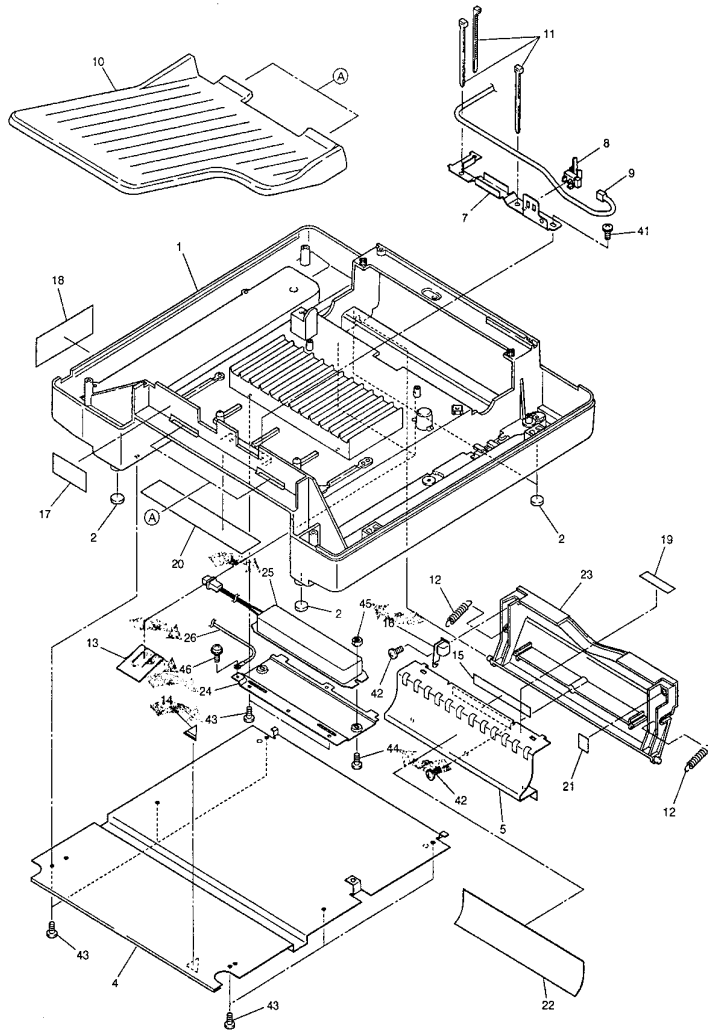
Item No.	Parts No.	Parts Name	Qty/ Page	Qty/ Pack	Price ()	P I R	BSI No.	To Page, Item	T	From Page, Item	Serial No.	Remarks	Catg.
1	4402846400	K-BRKT-FUSER-U	1	1/P									CSP MSP
2	4409832830	HR-1350-U	1	1/S									
3	4400536140	BUSH-HR-24	2	1/P									
4	4400536180	GEAR-32	1	1/P									
5	4402846630	GEAR-27	1	1/P									
6	4402846760	ASM-ROL-U-EXIT	1	1/KP									MSP
7	4400536230	BUSH-4-7	1	5/P									
8	4402858480	WH-EARTH-121	1	1/P									
9	4402846830	BRKT-SCRAPER	1	1/C									
10	4400536240	SCRAPER-FU	3	4/P									
11	4400536420	SPR-SCRAPER-R	1	1/P									
12	4407674190	SPR-SCRAPER	1	5/P									
13	4402846650	GUIDE-FUSER	1	1/P									
14	4402846640	GEAR-25	1	1/P									
15	4402846670	HOLDER-LAMP	2	1/P									
16A	4402859000	HTR-115-900W	1	1/S								100V SERIES	
16B	4402859010	HTR-230-900W	1	1/S								200V SERIES	
17	4402846810	BRUSH-EXIT-120	1	1/KP									
18	4402846800	BRUSH-FUSER-120	1	1/C									
19	4402846780	HLD-BL-THERM	1	1/P									
20	4402842840	THMS-HTR-121-N	1	1/C									100V SERIES 200V SERIES
21	4402859350	K-THRMO-121	1	1/C									
22	4400345540	CLAMP-HARNESS	3	5/P									
23A	4402858400	WH-HTR-121	1	1/P									
23B	4402858490	WH-HTR-121E	1	1/P				23C					
23B1	4402858490	WH-HTR-121E	1	1/P			CBC G00K147	23B-1		23B		AUD,ASD	CSP
23C	4402864710	WH-HTR-123E	1	1/P			CBC G00K147			23B		MCD,UKD	
24	4409832970	BL-1350H	1	1/PAC									
25	4402846510	COVER-FUSER	1	1/PP									
26	4402846540	LABEL-FUSER	1	5/P									
27	4400536490	LABEL-HOT	1	5/P									
61	7405005031	ERR050SKZN3A	1	50/P				61-1		61			
61-1	X0-01266000	RR/E-5-ZC	1	10/P			CEF G02A893						
62	7405003031	ERR030SKZN3A	1	50/P				62-1					
62-1	X0-01264000	RR/E-3-ZC	1	10/P			CEF G02A893			62			
63	7403024039	CRR/S240SKFB	2	50/P				63-1					
63-1	X0-01566000	RR/C/EXT-24-B	2	10/P			CEF G02A893			63			
64	4842040690	TZPAN3006MSZN3L	2	50/P				64-1					
64-1	X0-01458000	S/TPS/FPAN-3X6-ZB	2	10/P			CEF G02A893			64			
65	7640300851	ZPAN30*08MSZN3A	9	50/P				65-1					
65-1	X0-00073000	S/PAN/SWWP-M3X8-ZC	9	10/P			CEF G02A893			65			
66	4842040480	THPAN3006MSZN3L	2	50/P									
67	7640300651	ZPAN30*06MSZN3A	1	50/P				67-1					
67-1	X0-00056000	S/PAN/SWWP-M3X6-ZC	1	10/P			CEF G02A893			67			
68	4842040665	TPAN30*06MSZN3L	1	50/P				68-1					
68-1	X0-01473000	S/TPS/PAN-3X6-ZB	1	10/P			CEF G02A893			68			
69	7640300821	ZPAN30*08MSZN3A	2	50/P				69-1					
69-1	X0-01832000	S/PAN/WP-M3X8-ZC	2	10/P			CEF G02A893			69			



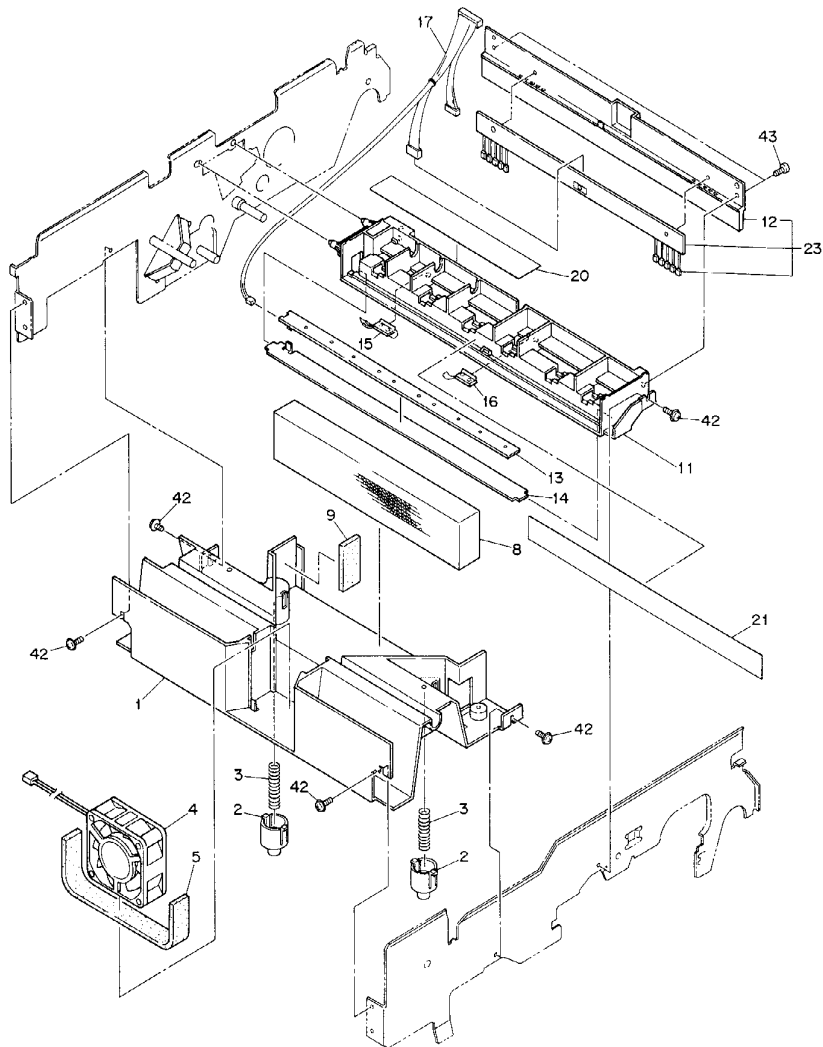
Item No.	Parts No.	Parts Name	Qty/ Page	Qty/ Pack	Price ()	P I R	BSI No.	To Page, Item	T	From Page, Item	Serial No.	Remarks	Catg.
1	4402844660	FRAME-LOW-F	1	1/P									
2	4402846100	K-FRAME-L-R	1	1/P				2-1					
2-1	4402863640	K-FRAME-L-R	1	1/P		CBC	G00K147			2			
3	4402846860	BASE-FUSER	1	1/P									
4	4402846490	SPC102-140-0262	2	5/P									
5	4402846730	BRKT-ARM-FUS-F	1	1/P									
6	4402846740	BRKT-ARM-FUS-R	1	1/P									
7	4402846580	SPL-EXIT-ROL-L	2	1/P									
8	4407674240	IDLER-L-EXIT	2	1/P									
9	4402846590	BRG-1260-HR	2	1/P									
10	4409824720	HR-1210-L	1	1/S									CSP
11	7400106011	1HWAS060MSZN3A	4	50/P				11-1					
11-1	X0-00944000	W/PL/PJO-6-ZC	4	10/P		CE F	G02A893			11			
12	4843390942	BD/W-EDS-2	2	10/P				12B 12A					
12A	4843390942	BD/W-EDS-2	2	10/P		CBC	G00K147			12			
12A1	F0-00041000	EDS-2	2	10/P		CE F	G02A893	12A-1		12A			
12B	4843390942	BD/W-EDS-2	3	10/P		CBC	G00K147			12		MCD,UKD	
12B1	F0-00041000	EDS-2	3	10/P		CE F	G02A893	12B-1				MCD,UKD	
13	4402843880	PLT-SPRING	1	1/P									
14	4402858780	WH-FUSER-121	1	1/P									
15	4402845910	BKT-FEED-DRIVE	1	1/P									
16	4843390855	CLP/W-LWS-2U	1	5/P				16-1					
16-1	F0-00341000	LWS-2U	1	5/P		CE F	G02A893			16			
17	4364478290	CLP-UAMS-05-0	1	10/P									
18	4402847100	GUIDE-FU-EN-1	1	1/P									
19	4402847110	GUIDE-FU-EN-2	1	1/P									
20	4402847120	GUIDE-FU-EN-3	1	1/P									
21	4843391378	CLP/W-MN-2	1	5/P									
60	4842040690	TZPAN3006MSZN3L	7	50/P				60-1					
60-1	X0-01458000	S/TPS/FPAN-3X6-ZB	7	10/P		CE F	G02A893			60			
61	7405005031	ERR050SKZN3A	1	50/P				61-1					
61-1	X0-01266000	RR/E-5-ZC	1	10/P		CE F	G02A893			61			
62	4842040692	TZPAN3008MSZN3L	3	50/P									
63B	7640300651	ZPAN30*06MSZN3A	1	50/P		ABC	G00K147	63B-1				MCD,UKD	
63B1	X0-00056000	S/PAN/SWWP-M3X6-ZC	1	10/P		CE F	G02A893			63B		MCD,UKD	



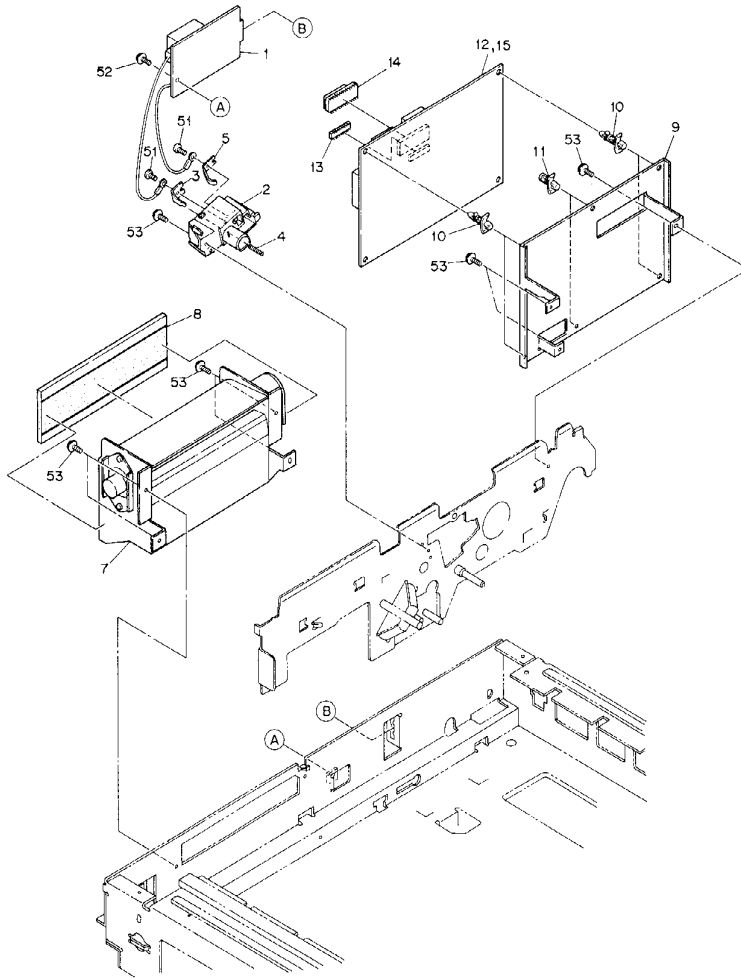
Item No.	Parts No.	Parts Name	Qty/ Page	Qty/ Pack	Price ()	P I R	BSI No.	To Page, Item	T	From Page, Item	Serial No.	Remarks	Catg.
1	4402843620		1	N/A***									
2	4400531060	FOOT-13-518	4	10/P									
3	4402843640	COVER-FEED-TURN	1	1/PP									
4	4402843850	PLT-BASE	1	1/P									
5	4402843690	GUIDE-TURN	1	1/P									
7	4402846910	BRKT-EXIT-SW	1	1/P									
8	4402842650	SZ-EXIT-121	1	1/C									
9	4402858730	WH-EXIT-SW-121	1	1/P									
10	4402841970	TRAY	1	1/PP									
11	4346754010	SKB-BAND-1	3	5/P				11-1					
11-1	F0-00521000	SKB-1	3	5/P		CE F	G02A893			11			
12	4402844290	SPE-COV-315	2	5/P									
13	4402844030	MYLAR-NAIL	2	5/P									
14	4402844100	LBL-LINE-LIMIT	1	5/P									
15	4402843940	LBL-COV-FEED	1	5/P									
16	4402844130	SPL-EARTH-FEED	1	1/P									
17B	4402840990	LABEL-CAUTION	1	5/P								1370	
18	4402840980	LBL-SERVICE	1	5/P									
19	4402841400	LBL-COV-OPEN	1	5/P									
20	4402844300	LBL-FRAME-BASE	1	1/KP									
21	4402844350	MYLAR-COV-FEED	1	5/P									
22	4402864600	MYLAR-1360	1	5/KP		AB J	G00H085						
24	4402863610	BRKT-RES	1	1/P		ABC	G00K147						
25B	4402864700	RES-9W-030HJ	1	1/C		ABC	G00K147					MCD,UKD	
26B	4402864720	WH-FG-RES-123E	1	1/P		ABC	G00K147					MCD,UKD	
41	4842040846	PTBR30*08MSZN3A	1	50/P									
42	4842040495	PTBR30*06MSZN3A	2	50/P									
43	4842040847	PTBR30*10MSZN3A	6	50/P									
43-1	X0-01513000	S/TPP/BRZ-3X10-ZC	6	10/P		CE F	G02A893		43-1	43			
43B	4842040846	PTBR30*08MSZN3A	8	50/P		ABC	G00K147					MCD,UKD	
44B	7040400811	PAN40*08MSZN3AI	2	50/P		ABC	G00K147	44B-1				MCD,UKD	
44B1	X0-00158000	S/PAN-M4X8-ZC	2	10/P		CE F	G02A893			44B		MCD,UKD	
45B	4842090240	NUT025MSZN3A	2	50/P		ABC	G00K147	45B-1				MCD,UKD	
45B1	X0-01147000	N/HEX/S1-M2.5-ZC	2	10/P		CE F	G02A893			45B		MCD,UKD	
46B	7640300651	ZPAN30*06MSZN3A	1	50/P		ABC	G00K147	46B-1				MCD,UKD	
46B1	X0-00056000	S/PAN/SWWP-M3X6-ZC	1	10/P		CE F	G02A893			46B		MCD,UKD	



Item No.	Parts No.	Parts Name	Qty/ Page	Qty/ Pack	Price ()	P I R	BSI No.	To Page, Item	T	From Page, Item	Serial No.	Remarks	Catg.
1	4402843370	DUCT-FAN	1	1/P									
2	4402843530	PUSHER-FELT	2	1/P									
3	4402843790	SPC900-080-0340	2	5/P									
4	4402858940	FAN-DC-121	1	1/D									
5	4402843520	SEAL-FAN	1	1/KP									
8	4402843380	FILTER-U-121	1	1/C									MSP
9	4402844040	SEAL-DUCT	1	5/P									
11	4402849280	K-HOLD-DCH	1	1/PP									
12A	4402859570	HOLDER-DCH-121	1	1/P								1370	
13	4402858170	PWA-F-ERS-121	1	1/S									
14	4402849170	COV-LAMP-ERS	1	1/PP									
15	4402849190	SPL-GRID-BIAS	1	1/P									
16	4402849180	SPL-CH-M	1	1/P									
17A	4402858720	WH-OPT-120	1	1/P								1360	
17B	4402858620	WH-OPT-121	1	1/P								1370	
21	4402849640	MYLAR-WALL-DCH	1	5/KP									
23B	4402859560	ASM-DCH-121	1	1/C									
42	4842040690	TZPAN3006MSZN3L	5	50/P				42-1					
42-1	X0-01458000	S/TPS/FPAN-3X6-ZB	5	10/P		CEF	G02A893			42			
43	7040260511	PAN26*05MSZN3A	2	50/P				43-1					
43-1	X0-00287000	S/PAN-M2.6X5-ZC	2	10/P		CEF	G02A893			43			

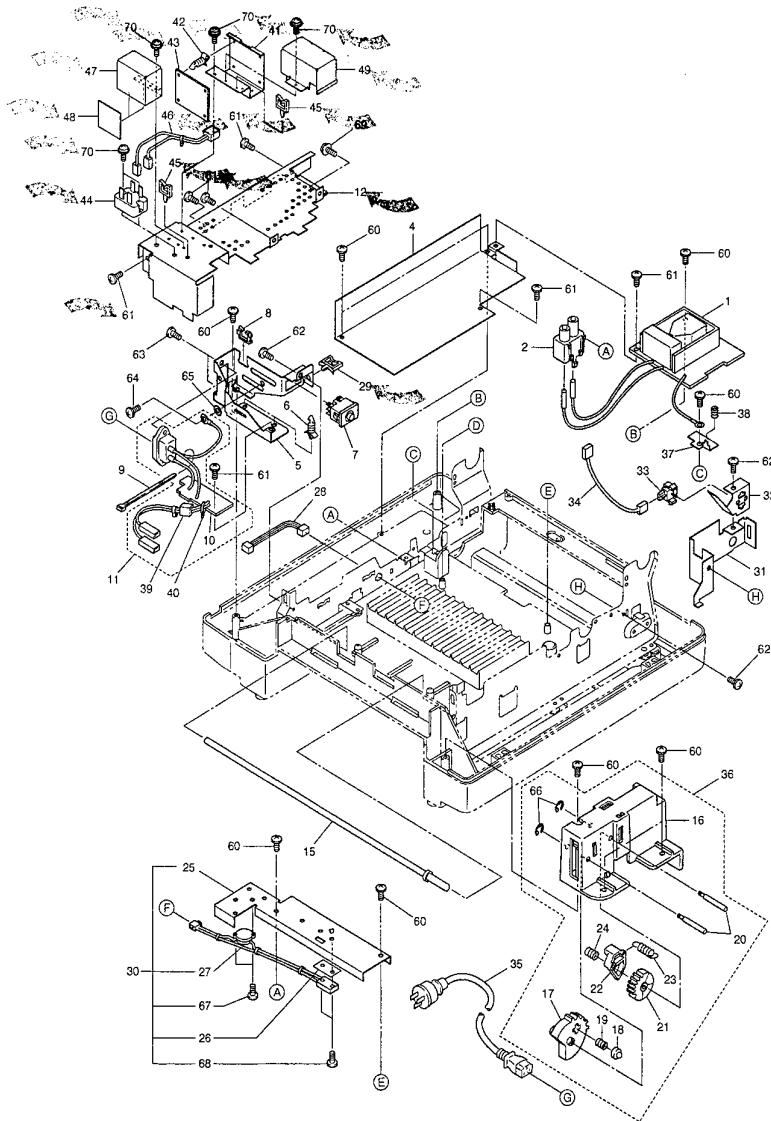


Item No.	Parts No.	Parts Name	Qty/ Page	Qty/ Pack	Price ()	P I R	BSI No.	To Page, Item	T	From Page, Item	Serial No.	Remarks	Catg.
1	4402858880	PS-HVT-M-121	1	1/C									
2	4402849210	TERMINAL-M-CH	1	1/P									
3	4402849260	PLT-TERM-M	1	1/P									
4	4402849240	SPC-TERM-M	1	5/P									
5	4402849220	SPL-BIAS-GRID	1	1/P									
7	4402858920	FAN-DC-OPT-121	1	1/C									
8	4402851360	FILTER-OPT-120	1	1/KP									
9	4402843590	BRKT-PWB-LGC	1	1/P									
10	4843390869	PWZ-SPLS-4U	4	5/P				10-1					
10-1	F0-00340000	SPLSN-4U	4	5/P		CE F	G02A893			10			
11	4843390859	PWZ-SPS-4U	2	5/P				11-1					
11-1	F0-00331000	SPSN-4U	2	5/P		CE F	G02A893			11			
12A	4402861050	PWA-F-LGC-1360U	1	1/SB			F97C852	12A-1				1360 NAD	
12A1	4402864750	PWA-F-LGC-1360E	1	1/SB		CB J	G03F676			12A		1360 NAD	
12B	4402842510	PWA-F-LGC-120M	1	1/SB			F97C852	12C				1360 OTHERS	
12B1	4402842510	PWA-F-LGC-120M	1	1/SB		- - -	F98I374	12B-1		12B		1360 OTHERS	
12C	4402861050	PWA-F-LGC-1360U	1	1/SB		CDC	F98I374			12B	ZJ8/WJ8	1360 MJD,UKD	
12C1	4402864750	PWA-F-LGC-1360E	1	1/SB		CBC	G00K147	12C-1		12C		1360 MJD,UKD	
13A	4402861160	PRA-T123E2-U01S	1	1/S			F97C852					NAD	
13B	4402859970	PRA-T121E2-E03S	1	1/S			F97C852	13C				OTHERS	
13B1	4402859970	PRA-T121E2-E03S	1	1/S		- - -	F98I374	13B-1		13B		OTHERS	
13C	4402860870	PRA-T121E2-EU1S	1	1/S		CDC	F98I374			13B	ZJ8/WJ8	MJD,UKD	
14	4402861120	PRA-123M-03	1	1/S			F97C852	14C					
14A	4402861120	PRA-123M-03	1	1/S		E - J	F98I374	14A		14		NAD	
14C	4402861120	PRA-123M-03	1	1/S		ADC	F98I374			14	ZJ8/WJ8	MJD,UKD	
15A	4402861080	PWA-F-LGC-1370U	1	1/SB			F97C852	15A-1				1370 NAD	
15A1	4402864760	PWA-F-LGC-1370E	1	1/SB		CB J	G03F676			15A		1370 NAD	
15B	4402842500	PWA-F-LGC-121M	1	1/SB			F97C852	15C				1370 OTHERS	
15B1	4402842500	PWA-F-LGC-121M	1	1/SB		- - -	F98I374	15B-1		15B		1370 OTHERS	
15C	4402861080	PWA-F-LGC-1370U	1	1/SB		CDC	F98I374			15B	ZJ8/WJ8	1370 MJD,UKD	
15C1	4402864760	PWA-F-LGC-1370E	1	1/SB		CBC	G00K147	15C-1		15C		1370 MJD,UKD	
51	4842040495	PTBR30*06MSZN3A	2	50/P									
52	4842040480	THPAN3006MSZN3L	1	50/P									
53	4842040690	TZPAN3006MSZN3L	8	50/P									
53-1	X0-01458000	S/TPS/FPAN-3X6-ZB	8	10/P		CE F	G02A893			53			

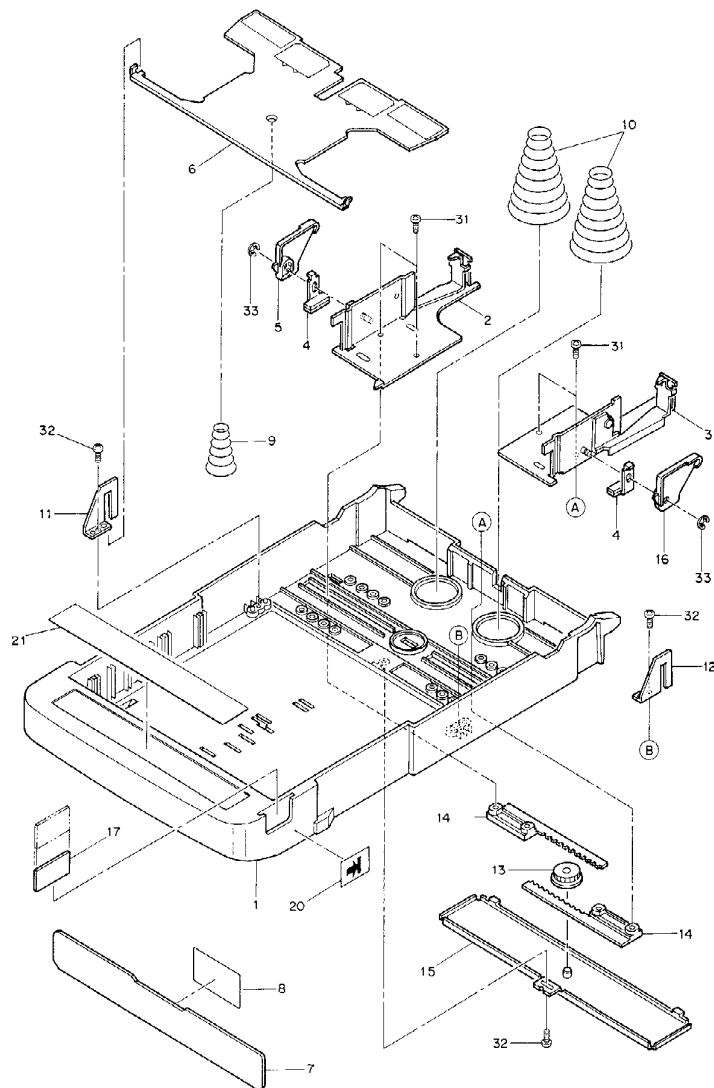


Item No.	Parts No.	Parts Name	Qty/ Page	Qty/ Pack	Price ()	P I R	BSI No.	To Page, Item	T	From Page, Item	Serial No.	Remarks	Catg.
1	4402859500	PS-HVT-T-121	1	1/C									
2	4402849130	ASM-TERMINAL-TR	1	1/P									
4A	4402861140	PS-ACC-123U	1	1/C			F97C852	4A-1				100V SERIES	
4A1	4402864550	PS-ACC-121-U	1	1/C		CEH	F98B171			4A		100V SERIES	
4B	4402858870	PS-ACC-121-E	1	1/C			F97C852					200V SERIES	
5	4402843560	BRKT-SW-INLET	1	1/P									
6	4843390871	PWZ-SPLS-7U	2	5/P				6-1					
6-1	F0-00317000	SPLSN-7U	2	5/P		CEF	G02A893			6			
7	4402859230	SP-FAIL-AA22	1	1/D									
8	4843390942	BD/W-EDS-2	1	10/P				8-1					
8-1	F0-00041000	EDS-2	1	10/P		CEF	G02A893			8			
9	4346754010	SKB-BAND-1	1	5/P				9-1					
9-1	F0-00521000	SKB-1	1	5/P		CEF	G02A893			9		100V SERIES	
10A	4402858070		1	N/A***								200V SERIES	
10B	4402858080		1	N/A***									
11A	4402859330	K-INLT-FUS-121U	1	1/C								100V SERIES	
11B	4402859340	K-INLT-FUS-121E	1	1/C								200V SERIES	
12	4402843890	BRKT-ACC	1	1/P				12-1					
12-1	4402863670	BRKT-ACC	1	1/P		CBC	G00K147			12			
15	4402843750	K-SFT-SW-MAIN	1	1/P									
16	4402843420	CASE-SW-MAIN	1	N/A***									
17	4402843430	KNOB-SW-MAIN	1	N/A***									
18	4400532930	CAP-SW	1	N/A***									
19	4402844090	SPC-MSW-120	1	N/A***									
20	4402843470	SHAFT-CAM	2	N/A***									
21	4402843440	CAM-SW-DOOR	1	N/A***									
22	4402843450	CAM-SW-SHELL	1	N/A***									
23	4402843480	SPE050-040-0155	1	N/A***									
24	4402843410	SPC045-035-0115	1	N/A***									
25X	4402843980	BRKT-DH	1	1/P								AUD	
25Y	4402843980	BRKT-DH	1	1/P								MF-1350U	
25Z	4402843980	BRKT-DH	1	1/P								MF-1350E	
26X	4402859390	SHEET-PTC-121	1	5/P								AUD	
26Y	4402859390	SHEET-PTC-121	1	5/P								MF-1350U	
26Z	4402859390	SHEET-PTC-121	1	5/P								MF-1350E	
27X	4402859190	K-PTC-230-121	1	1/C								AUD	
27Y	4402859180	K-PTC-120-121	1	1/C								MF-1350U	
27Z	4402859190	K-PTC-230-121	1	1/C								MF-1350E	
28X	4402858430	WH-DAMPHTR-121	1	1/P								AUD	
28Y	4402858430	WH-DAMPHTR-121	1	1/P								MF-1350U	
28Z	4402858430	WH-DAMPHTR-121	1	1/P								MF-1350E	
29	4843390854	CLP/W-LWS-1U	1	5/P				29-1					
29-1	4843390855	CLP/W-LWS-2U	1	5/P		CBC	G00K147			29			
29-2	F0-00341000	LWS-2U	1	5/P		CEF	G02A893	29-2		29-1			
30X	4402844150	ASM-BKT-DH-230	1	1/D								AUD	
30Y	4402844140	ASM-BKT-DH-120	1	1/P								MF-1350U	
30Z	4402844150	ASM-BKT-DH-230	1	1/D								MF-1350E	
31	4402844180	BRKT-COV-SW-1	1	1/P									
32	4402844190	BRKT-COV-SW-2	1	1/P									
33	4402859600	SP-CS3A-B2BA	1	1/D									
34	4402858770	WH-U-COV-121	1	1/P									
35A	4408425350	CBL/P-INLET-UC	1	1/P				35A-1				NAD	
35A1	4402449900	CBL/P-INLET-UC	1	1/P		CEH	G00B958			35A		NAD	
35B	4400395940	CBL/P-INLET-EUR	1	1/P				35B-1				MJD	
35B1	4402449910	CBL/P-INLET-EUR	1	1/P		CEH	G01L810			35B		MJD	
35C	4400494790	CBL/P-INLET-UK	1	1/P								UKD	
35D	4400494940	CBL/P-INLET-AU	1	1/P				35D-1				AUD	
35D1	4402449920	CBL/P-INLET-AU	1	1/P		CEH	G01L810			35D		AUD	
35E	4400358250	CBL/P-INLET-ST	1	1/P								SAD	
35F	4400395940	CBL/P-INLET-EUR	1	1/P				35F-1				ASD	
35F1	4402449910	CBL/P-INLET-EUR	1	1/P		CEH	G01L810			35F		ASD	
36	4402843400	ASM-MAIN-SW	1	1/PP									
37	4402844320	PLT-BIAS-L	1	1/P									
38	4402844330	SPC051-040-0120	1	5/P									

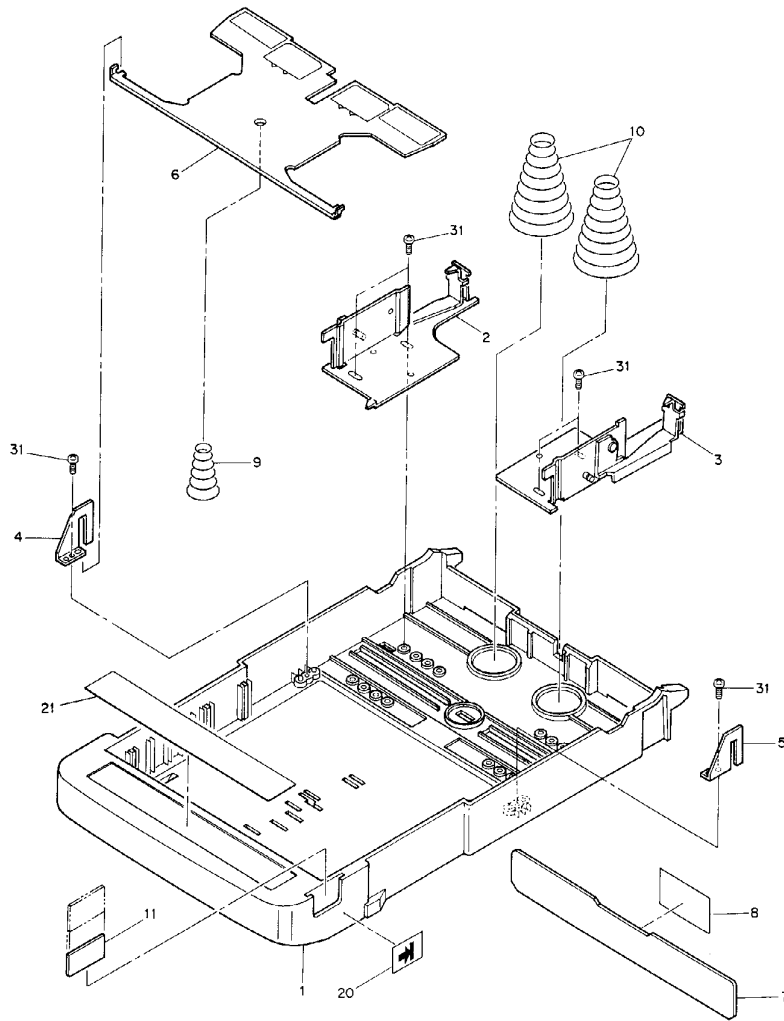
Item No.	Parts No.	Parts Name	Qty/ Page	Qty/ Pack	Price ()	P I R	BSI No.	To Page, Item	T	From Page, Item	Serial No.	Remarks	Catg.
39C	4843524575	FLD-TFC-16813	1	1/P			ADC F98I374	39C-1			ZJ8/WJ8	MJD,UKD	
39C1	D0-04591000	TFC-16813	1	1/P			CEF G02A893			39C		MJD,UKD	
40C	4346754010	SKB-BAND-1	1	5/P			ADC F98I374	40C-1			ZJ8/WJ8	MJD,UKD	
40C1	F0-00521000	SKB-1	1	5/P			CEF G02A893			40C		MJD,UKD	
41B	4402863680	BRKT-DLY-SSR	1	1/P			ABC G00K147					MCD,UKD	
42B	4843391571	PWZ-SPLSN-3U	4	5/P			ABC G00K147	42B-1				MCD,UKD	
42B1	F0-00316000	SPLSN-3U	4	5/P			CEF G02A893			42B		MCD,UKD	
43B	4401977860	PWA-F-DLY-SSR	1	1/SB			ABC G00K147	43B-1				MCD,UKD	
43B1	4402446600	PWA-F-DLY-SSR	1	1/SB			CBD G01E499			43B		MCD,UKD	
44B	3037886230	TSS16J48SR	1	1/D			ABC G00K147					MCD,UKD	
45B	4843391178	CLP/W-UAMS05W	2	5/P			ABC G00K147	45B-1				MCD,UKD	
45B1	F0-00043000	UAMS-05SN-W	2	5/P			CEF G02A893			45B		MCD,UKD	
46B	4402864740	WH-SSR2-123E	1	1/P			ABC G00K147					MCD,UKD	
47B	4402863710	BRKT-COV-SSR	1	1/P			ABC G00K147					MCD,UKD	
48B	4402863720	SHEET-COV-SSR	2	5/P			ABC G00K147					MCD,UKD	
49B	4402863690	BRKT-COV-DLY	1	1/P			ABC G00K147					MCD,UKD	
60	4842040846	PTBR30*08MSZN3A	10	50/P									
61	4842040480	THPAN3006MSZN3L	3	50/P				61-1					
61-1	4842040480	THPAN3006MSZN3L	7	50/P			DBC G00K147			61			
62	4842040690	TZPAN3006MSZN3L	4	50/P				62-1					
62-1	4842040690	TZPAN3006MSZN3L	3	50/P			DBC G00K147			62			
62-2	X0-01458000	S/TPS/FPAN-3X6-ZB	3	10/P			CEF G02A893			62-1			
63	7040300611	PAN30*06MSZN3AI	4	50/P				63-1					
63-1	7040300611	PAN30*06MSZN3AI	2	50/P			DBC G00K147			63			
63-2	X0-00053000	S/PAN-M3X6-ZC	2	10/P			CEF G02A893	63-2					
64	7040400660	PAN40*06BSDG	1	50/P				64-1		63-1			
64-1	X0-00154000	S/PAN-M4X6-BSNI	1	10/P			CEF G02A893			64			
65	7402004032	OTWAS040SKZN3C	1	50/P				65-1					
65-1	X0-00910000	W/TH/A-4-ZU	1	10/P			CEF G02A893			65			
66	7405002031	ERR020SKZN3A	2	50/P				66-1					
66-1	X0-01263000	RR/E-2-ZC	2	10/P			CEF G02A893			66			
67	4842040665	TPAN30*06MSZN3L	2	50/P				67-1					
67-1	X0-01473000	S/TPS/PAN-3X6-ZB	2	10/P			CEF G02A893			67			
68	7040401011	PAN40*10MSZN3AI	2	50/P				68-1					
68-1	X0-00174000	S/PAN-M4X10-ZC	2	10/P			CEF G02A893			68			
69	4842040711	TPPAN3008MSZN3A	1	50/P				69-1					
69-1	X0-00475000	S/FPAN-M3X8-ZC	1	10/P			CEF G02A893			69			
70B	4842040709	TPPAN3006MSZN3A	5	50/P			ABC G00K147	70B-1				MCD,UKD	
70B1	X0-00473000	S/FPAN-M3X6-ZC	5	10/P			CEF G02A893			70B		MCD,UKD	



Item No.	Parts No.	Parts Name	Qty/ Page	Qty/ Pack	Price ()	P I R	BSI No.	To Page, Item	T	From Page, Item	Serial No.	Remarks	Catg.
1	4402846110	CST-120	1	1/PP									
2	4402844500	K-WALL-ADJ-F	1	1/P									
3	4402844510	K-WALL-ADJ-R	1	1/P									
4	4402844560	K-STOP-WALL-S	2	1/P									
5	4402845570	LEVER-CST-F	1	1/P									
6	4402846150	K-PLATE-CST-121	1	1/P									
7	4400556130	BACK-PLATE	1	1/P									
8	4402845450	LABEL-LIMIT-T	1	5/P									
9	4407678600	SPC-CONE-Z-D	1	1/P									
10	4402846170	SPC-CONE-121	2	1/P									
11	4407678420	BKT-CST-PLATE-F	1	1/P									
12	4407678430	BKT-CST-PLATE-R	1	1/P									
13	4407726480	PINION-18-395	1	1/P									
14	4407678190	RACK-SIDE-WALL	2	1/P									
15	4402845530	K-COVER-BTM-CST	1	1/PP									
16	4402845580	LEVER-CST-R	1	1/P									
17	4402845690	LBL-SIZE-CST-UC	1	5/P									
20	4402845700	LBL-ARROW-CST	1	5/P									
21	4402841100	LBL-INST-CST-T	1	5/KP									
31	7120300611	12PAN3006MSZN3A	4	50/P									
32	4842040495	PTBR30*06MSZN3A	3	50/P									
33	7405003031	ERR030SKZN3A	2	50/P				33-1					
33-1	XO-01264000	RR/E-3-ZC	2	10/P		CE F	G02A893			33			



Item No.	Parts No.	Parts Name	Qty/ Page	Qty/ Pack	Price ()	P I R	BSI No.	To Page, Item	T	From Page, Item	Serial No.	Remarks	Catg.
1	4402846110	CST-120	1	1/PP									
2	4402844500	K-WALL-ADJ-F	1	1/P									
3	4402844510	K-WALL-ADJ-R	1	1/P									
4	4407678420	BKT-CST-PLATE-F	1	1/P									
5	4407678430	BKT-CST-PLATE-R	1	1/P									
6	4402846150	K-PLATE-CST-121	1	1/P									
7	4400556130	BACK-PLATE	1	1/P									
8	4402845450	LABEL-LIMIT-T	1	5/P									
9	4407678600	SPC-CONE-Z-D	1	1/P									
10	4402846170	SPC-CONE-121	2	1/P									
11	4402845680	LBL-SIZE-CST-EU	1	5/P									
20	4402845700	LBL-ARROW-CST	1	5/P									
21	4402841100	LBL-INST-CST-T	1	5/KP									
31	4842040495	PTBR30*06MSZN3A	6	50/P									



Item No.	Parts No.	Parts Name	Qty/ Page	Qty/ Pack	Price ()	P I R	BSI No.	To Page, Item	T	From Page, Item	Serial No.	Remarks	Catg.
0A	4402842510	PWA-F-LGC-120M	1	1/SB								1360	
0B	4402842500	PWA-F-LGC-121M	1	1/SB								1370	
1	4402858370		1	N/A***									
2	4402858970	HT-SINK-120	1	1/P									
4A	4402859150	JUMPER-W-7.5	1	10/P								1360	
4B	4402859150	JUMPER-W-7.5	2	10/P								1370	
11	4843113784	IC-STK6712BMK3	1	1/S				11-1					
11-1	C0-02250000	STK6712BMK3	1	1/S		CEF	G02A893			11			
12B	3040274687	IC-TD62308FTP2	1	1/S								1370	
14	4843113438	IC-LM2902M	1	5/S				14-1					
14-1	C0-01895000	LM2902M	1	5/S		CEF	G02A893			14			
15	4843112761	IC-MB88342PF	1	5/S				15-1					
15-1	C0-04147000	MB88342PF-G-BND	1	5/S		CEF	G02A893			15			
16	4843112458	IC-MC14538BFL	1	5/S				16-1					
16-1	C0-03423001	MC14538BFEL	1	5/S		CEF	G02A893			16			
17	4843114935	IC-LB1823M-TPT2	1	1/S				17-1					
17-1	C0-02214001	LB1823M	1	1/S		CEF	G02A893			17			
18	3040277105	IC-TD62801F	1	5/S				18-1					
18-1	C0-01472000	TD62801F	1	5/S		CEF	G02A893			18			
20	4843113438	IC-LM2902M	1	5/S				20-1					
20-1	C0-01895000	LM2902M	1	5/S		CEF	G02A893			20			
21	4843112762	IC-DM7407M	1	5/S				21-1					
21-1	C0-01957001	DM7407MX	1	5/S		CEF	G02A893			21			
22	3040709198	TC140G12AF-0125	1	1/S									
23	3040571093	TMP90CM40AF2507	1	1/S									
24	3040485645	IC-TC74HCU04AF	1	1/S				24-1					
24-1	C0-01271000	TC74HCU04AF	1	1/S		CEF	G02A893			24			
25	4843112956	IC-SLA6022	1	1/S				25-1					
25-1	C0-00073000	SLA6022	1	1/S		CEF	G02A893			25			
26	4843112762	IC-DM7407M	1	5/S				26-1					
26-1	C0-01957001	DM7407MX	1	5/S		CEF	G02A893			26			
28	3040485629	IC-TC74HC14AFTP	1	5/S				28-1					
28-1	C0-01534002	TC74HC14AF(TP2)	1	5/S		CEF	G02A893			28			
29	3040349270	IC-TA75393F	1	5/S				29-1					
29-1	C0-01521002	TA75393F(EL)	1	5/S		CEF	G02A893			29			
30	4843112766	IC-MC74HC132FL	1	5/S				30-1					
30-1	C0-03491001	MC74HC132AFEL	1	5/S		CEF	G02A893			30			
31	3040274647	IC-TD62305F(TP2)	1	5/S				31-1					
31-1	C0-04431001	TD62305F(TP2)	1	5/S		CEF	G02A893			31			
32	3040274687	IC-TD62308FTP2	1	1/S									
33	3040274687	IC-TD62308FTP2	1	1/S									
34	4843112636	IC-UPC494GS	1	1/S				34-1					
34-1	C0-03284000	UPC494GS	1	1/S		CEF	G02A893			34			
35	3040376602	IC-TA78DL05AP	1	5/S				35-1					
35-1	3040376510	IC-TA78DL05AS	1	5/S		CEH	F99B519			35		IC25	
35-2	C0-00888000	TA78DL05AS	1	5/S		CEF	G02A893			35-1		IC25	
51	3036868550	Q-2SD1417	1	5/S				51-1					
51-1	3036868840	Q-2SD1415A	1	5/S		CEH	F99B519			51		Q1	
51-2	C0-00579000	2SD1415A	1	5/S		CEF	G02A893			51-1		Q1	
52	3036548970	Q-2SA1428-Y	1	5/P				52-1					
52-1	C0-00527000	2SA1428-Y	1	5/P		CEF	G02A893			52			
53	3036335471	Q-2SC2712-Y-85R	1	5/P				53-1					
53-1	C0-00551002	2SC2712-Y(TE85R)	1	5/P		CEF	G02A893			53			
54	3036335471	Q-2SC2712-Y-85R	1	5/P				54-1					
54-1	C0-00551002	2SC2712-Y(TE85R)	1	5/P		CEF	G02A893			54			
55	3036335471	Q-2SC2712-Y-85R	1	5/P				55-1					
55-1	C0-00551002	2SC2712-Y(TE85R)	1	5/P		CEF	G02A893			55			
56	3036541131	Q-2SA1162-Y	1	5/P				56-1					
56-1	C0-00700002	2SA1162-Y(TE85R)	1	5/P		CEF	G02A893			56			
57	3036014012	Q-RN2401(TE85R)	1	5/P				57-1					
57-1	C0-00675002	RN2401(TE85R)	1	5/P		CEF	G02A893			57			
58	3036004012	Q-RN1401(TE85R)	1	5/P				58-1					
58-1	C0-00657001	RN1401(TE85R)	1	5/P		CEF	G02A893			58			

Item No.	Parts No.	Parts Name	Qty/ Page	Qty/ Pack	Price ()	P I R	BSI No.	To Page, Item	T	From Page, Item	Serial No.	Remarks	Catg.
59	3036014012	Q-RN2401(TE85R)	1	5/P				59-1					
59-1	C0-00675002	RN2401(TE85R)	1	5/P		CE F	G02A893			59			
60	3036004012	Q-RN1401(TE85R)	1	5/P				60-1					
60-1	C0-00657001	RN1401(TE85R)	1	5/P		CE F	G02A893			60			
61	3036004012	Q-RN1401(TE85R)	1	5/P				61-1					
61-1	C0-00657001	RN1401(TE85R)	1	5/P		CE F	G02A893			61			
62	3036004012	Q-RN1401(TE85R)	1	5/P				62-1					
62-1	C0-00657001	RN1401(TE85R)	1	5/P		CE F	G02A893			62			
63	3036541131	Q-2SA1162-Y	1	5/P				63-1					
63-1	C0-00700002	2SA1162-Y(TE85R)	1	5/P		CE F	G02A893			63			
64	3036548970	Q-2SA1428-Y	1	5/P				64-1					
64-1	C0-00527000	2SA1428-Y	1	5/P		CE F	G02A893			64			
81	3037568277	D-1S1834(LC6)	1	5/P									
82	3037568277	D-1S1834(LC6)	1	5/P									
83	3037568277	D-1S1834(LC6)	1	5/P									
84	3037151102	D-1SS193(TE85R)	1	5/P				84-1					
84-1	C0-00473000	1SS193	1	5/P		CE F	G02A893			84			
85	3037238212	D-02CZ3.3X-85R	1	5/P				85-1					
85-1	C0-00426001	02CZ3.3-X(TE85R)	1	5/P		CE F	G02A893			85			
87	3037238422	D-02CZ5.1Y-85R	1	5/P				87-1					
87-1	C0-00440001	02CZ5.1-Y(TE85R)	1	5/P		CE F	G02A893			87			
88	3037238212	D-02CZ3.3X-85R	1	5/P				88-1					
88-1	C0-00426001	02CZ3.3-X(TE85R)	1	5/P		CE F	G02A893			88			
89	3037151102	D-1SS193(TE85R)	1	5/P				89-1					
89-1	C0-00473000	1SS193	1	5/P		CE F	G02A893			89			
90	3037151102	D-1SS193(TE85R)	1	5/P				90-1					
90-1	C0-00473000	1SS193	1	5/P		CE F	G02A893			90			
91	3037150651	D-1SS184(TE85R)	1	5/P				91-1					
91-1	C0-00470002	1SS184(TE85R)	1	5/P		CE F	G02A893			91			
92	3037238212	D-02CZ3.3X-85R	1	5/P				92-1					
92-1	C0-00426001	02CZ3.3-X(TE85R)	1	5/P		CE F	G02A893			92			
93	3037151102	D-1SS193(TE85R)	1	5/P				93-1					
93-1	C0-00473000	1SS193	1	5/P		CE F	G02A893			93			
94	3037238422	D-02CZ5.1Y-85R	1	5/P				94-1					
94-1	C0-00440001	02CZ5.1-Y(TE85R)	1	5/P		CE F	G02A893			94			
95	3037150651	D-1SS184(TE85R)	1	5/P				95-1					
95-1	C0-00470002	1SS184(TE85R)	1	5/P		CE F	G02A893			95			
96	3037151102	D-1SS193(TE85R)	1	5/P				96-1					
96-1	C0-00473000	1SS193	1	5/P		CE F	G02A893			96			
97	3037151102	D-1SS193(TE85R)	1	5/P				97-1					
97-1	C0-00473000	1SS193	1	5/P		CE F	G02A893			97			
121	4843250421	X-CST10.0MTW	1	5/S				121-1					
121-1	D0-09044000	CSTLA10M0T55-B0	1	5/S		CE F	G02A893			121			
131	3038601100	LP-TLR123	1	5/P				131-1					
131-1	C0-01643000	TLR123	1	5/P		CE F	G02A893			131			
141	4843321564	SKT-CLC10280101	1	5/S				141-1				IC3	
141-1	E0-01347000	CLC1028-0101	1	5/S		CE F	G02A893			141		IC3	
142	4843321562	SKT-CLC10180101	1	1/S				142-1				IC9	
142-1	E0-01346000	CLC1018-0101	1	1/S		CE F	G02A893			142		IC9	
151	4843410402	CE-04W1C220M	1	10/P				151-1					
151-1	D0-04225000	CELSM1C220	1	10/P		CE F	G02A893			151			
152	4843410787	CE-04W1H4R7M	1	5/P				152-1					
152-1	D0-06753000	CELSM1H4R7	1	5/P		CE F	G02A893			152			
153	4843410402	CE-04W1C220M	1	10/P				153-1					
153-1	D0-04225000	CELSM1C220	1	10/P		CE F	G02A893			153			
154	4843406674	CE04W1H101M	1	10/P				154-1					
154-1	D0-03755000	KME50VB100M	1	10/P		CE F	G02A893			154			
155	4843410397	CE-04W1C4R7M	1	10/P				155-1					
155-1	D0-04037001	CELSM1C4R7-T4	1	10/P		CE F	G02A893			155			
157	4843410413	CE-04W1V2R2M	1	10/P				157-1					
157-1	D0-06752000	CELSM1V2R2	1	10/P		CE F	G02A893			157			
158	4843411175	CE04W1H470M-F	1	10/P									
159	4843410400	CE-04W1C100M	1	10/P				159-1					
159-1	D0-04224000	CELSM1C100	1	10/P		CE F	G02A893			159			
160	4843410279	CQ921M1H224K	1	10/P				160-1					
160-1	D0-06075000	LDSS0-224K	1	10/P		CE F	G02A893			160			

Item No.	Parts No.	Parts Name	Qty/ Page	Qty/ Pack	Price ()	P I R	BSI No.	To Page, Item	T	From Page, Item	Serial No.	Remarks	Catg.
161	4843410731	CTP-M1B1H682KT	1	10/P				161-1					
161-1	D0-05683001	GRM216B11H681KD 01D	1	10/P		CE F	G02A893			161			
162	4843410731	CTP-M1B1H682KT	1	10/P				162-1					
162-1	D0-05683001	GRM216B11H681KD 01D	1	10/P		CE F	G02A893			162			
163	4843410731	CTP-M1B1H682KT	1	10/P				163-1					
163-1	D0-05683001	GRM216B11H681KD 01D	1	10/P		CE F	G02A893			163			
164	4843410862	CTP-K1F1E104ZT	1	10/P				164-1					
164-1	D0-05721001	GRM216F11E104ZA0 1D	1	10/P		CE F	G02A893			164			
165	4843410862	CTP-K1F1E104ZT	1	10/P				165-1					
165-1	D0-05721001	GRM216F11E104ZA0 1D	1	10/P		CE F	G02A893			165			
166	4843410862	CTP-K1F1E104ZT	1	10/P				166-1					
166-1	D0-05721001	GRM216F11E104ZA0 1D	1	10/P		CE F	G02A893			166			
167	4843412139	CTP-M1F1H104ZT	1	10/P				167-1					
167-1	D0-05722001	GRM219F11H104ZA0 1D	1	10/P		CE F	G02A893			167			
168	4843410862	CTP-K1F1E104ZT	1	10/P				168-1					
168-1	D0-05721001	GRM216F11E104ZA0 1D	1	10/P		CE F	G02A893			168			
169	4843410721	CTP-M1B1H102KT	1	10/P				170-1					
170	4843410862	CTP-K1F1E104ZT	1	10/P									
170-1	D0-05721001	GRM216F11E104ZA0 1D	1	10/P		CE F	G02A893			170			
171	4843410862	CTP-K1F1E104ZT	1	10/P				171-1					
171-1	D0-05721001	GRM216F11E104ZA0 1D	1	10/P		CE F	G02A893			171			
172	4843410862	CTP-K1F1E104ZT	1	10/P				172-1					
172-1	D0-05721001	GRM216F11E104ZA0 1D	1	10/P		CE F	G02A893			172			
173	4843412581	CTP-M5B1E224KT	1	10/P				173-1					
173-1	4843410737	CTP-M1B1H223KT	1	10/P		CBH	F99B526			173	UC9/XC9	C23	
174	4843412580	CTP-M1B1H223KT	1	10/P				174-1					
174-1	4843413348	CTP-K5B1E224KT	1	10/P		CBH	F99B526			174	UC9/XC9	C24	
175	4843410862	CTP-K1F1E104ZT	1	10/P				175-1					
175-1	D0-05721001	GRM216F11E104ZA0 1D	1	10/P		CE F	G02A893			175			
176	4843410723	CTP-M1B1H152KT	1	10/P				177-1					
177	4843412139	CTP-M1F1H104ZT	1	10/P									
177-1	D0-05722001	GRM219F11H104ZA0 1D	1	10/P		CE F	G02A893			177			
178	4843410862	CTP-K1F1E104ZT	1	10/P				178-1					
178-1	D0-05721001	GRM216F11E104ZA0 1D	1	10/P		CE F	G02A893			178			
179	4843410725	CTP-M1B1H222KT	1	10/P				179-1					
179-1	D0-05669001	GRM216B11H222KA 01D	1	10/P		CE F	G02A893			179			
180	4843412139	CTP-M1F1H104ZT	1	10/P				180-1					
180-1	D0-05722001	GRM219F11H104ZA0 1D	1	10/P		CE F	G02A893			180			
181	4843410862	CTP-K1F1E104ZT	1	10/P				181-1					
181-1	D0-05721001	GRM216F11E104ZA0 1D	1	10/P		CE F	G02A893			181			
182	4843410733	CTP-M1B1H103KT	1	10/P				183-1					
183	4843410862	CTP-K1F1E104ZT	1	10/P									
183-1	D0-05721001	GRM216F11E104ZA0 1D	1	10/P		CE F	G02A893			183			
184	4843410862	CTP-K1F1E104ZT	1	10/P				184-1					
184-1	D0-05721001	GRM216F11E104ZA0 1D	1	10/P		CE F	G02A893			184			
185	4843410862	CTP-K1F1E104ZT	1	10/P				185-1					
185-1	D0-05721001	GRM216F11E104ZA0 1D	1	10/P		CE F	G02A893			185			
186	4843410862	CTP-K1F1E104ZT	1	10/P				186-1					
186-1	D0-05721001	GRM216F11E104ZA0 1D	1	10/P		CE F	G02A893			186			
187	4843412139	CTP-M1F1H104ZT	1	10/P				187-1					
187-1	D0-05722001	GRM219F11H104ZA0 1D	1	10/P		CE F	G02A893			187			

Item No.	Parts No.	Parts Name	Qty/ Page	Qty/ Pack	Price ()	P I R	BSI No.	To Page, Item	T	From Page, Item	Serial No.	Remarks	Catg.
188	4843410862	CTP-K1F1E104ZT	1	10/P				188-1					
188-1	D0-05721001	GRM216F11E104ZA0 1D	1	10/P		CE F	G02A893			188			
189	4843410862	CTP-K1F1E104ZT	1	10/P				189-1					
189-1	D0-05721001	GRM216F11E104ZA0 1D	1	10/P		CE F	G02A893			189			
190	4843410862	CTP-K1F1E104ZT	1	10/P				190-1					
190-1	D0-05721001	GRM216F11E104ZA0 1D	1	10/P		CE F	G02A893			190			
191	4843412139	CTP-M1F1H104ZT	1	10/P				191-1					
191-1	D0-05722001	GRM219F11H104ZA0 1D	1	10/P		CE F	G02A893			191			
192	4843410862	CTP-K1F1E104ZT	1	10/P				192-1					
192-1	D0-05721001	GRM216F11E104ZA0 1D	1	10/P		CE F	G02A893			192			
193	4843410725	CTP-M1B1H222KT	1	10/P				193-1					
193-1	D0-05669001	GRM216B11H222KA 01D	1	10/P		CE F	G02A893			193			
194	4843410725	CTP-M1B1H222KT	1	10/P				194-1					
194-1	D0-05669001	GRM216B11H222KA 01D	1	10/P		CE F	G02A893			194			
195	4843412139	CTP-M1F1H104ZT	1	10/P				195-1					
195-1	D0-05722001	GRM219F11H104ZA0 1D	1	10/P		CE F	G02A893			195			
196	4843410862	CTP-K1F1E104ZT	1	10/P				196-1					
196-1	D0-05721001	GRM216F11E104ZA0 1D	1	10/P		CE F	G02A893			196			
197	4843410862	CTP-K1F1E104ZT	1	10/P				197-1					
197-1	D0-05721001	GRM216F11E104ZA0 1D	1	10/P		CE F	G02A893			197			
198	4843410862	CTP-K1F1E104ZT	1	10/P				198-1					
198-1	D0-05721001	GRM216F11E104ZA0 1D	1	10/P		CE F	G02A893			198			
199	4843410862	CTP-K1F1E104ZT	1	10/P				199-1					
199-1	D0-05721001	GRM216F11E104ZA0 1D	1	10/P		CE F	G02A893			199			
200	4843410862	CTP-K1F1E104ZT	1	10/P				200-1					
200-1	D0-05721001	GRM216F11E104ZA0 1D	1	10/P		CE F	G02A893			200			
201	4843410725	CTP-M1B1H222KT	1	10/P				201-1					
201-1	D0-05669001	GRM216B11H222KA 01D	1	10/P		CE F	G02A893			201			
202	4843410862	CTP-K1F1E104ZT	1	10/P				202-1					
202-1	D0-05721001	GRM216F11E104ZA0 1D	1	10/P		CE F	G02A893			202			
203	4843410862	CTP-K1F1E104ZT	1	10/P				203-1					
203-1	D0-05721001	GRM216F11E104ZA0 1D	1	10/P		CE F	G02A893			203			
204	4843410862	CTP-K1F1E104ZT	1	10/P				204-1					
204-1	D0-05721001	GRM216F11E104ZA0 1D	1	10/P		CE F	G02A893			204			
205	4843410862	CTP-K1F1E104ZT	1	10/P				205-1					
205-1	D0-05721001	GRM216F11E104ZA0 1D	1	10/P		CE F	G02A893			205			
206	4843410862	CTP-K1F1E104ZT	1	10/P				206-1					
206-1	D0-05721001	GRM216F11E104ZA0 1D	1	10/P		CE F	G02A893			206			
207	4843410862	CTP-K1F1E104ZT	1	10/P				207-1					
207-1	D0-05721001	GRM216F11E104ZA0 1D	1	10/P		CE F	G02A893			207			
208	4843410862	CTP-K1F1E104ZT	1	10/P				208-1					
208-1	D0-05721001	GRM216F11E104ZA0 1D	1	10/P		CE F	G02A893			208			
209	4843410862	CTP-K1F1E104ZT	1	10/P				209-1					
209-1	D0-05721001	GRM216F11E104ZA0 1D	1	10/P		CE F	G02A893			209			
210	4843410862	CTP-K1F1E104ZT	1	10/P				210-1					
210-1	D0-05721001	GRM216F11E104ZA0 1D	1	10/P		CE F	G02A893			210			
211	4843412139	CTP-M1F1H104ZT	1	10/P				211-1					
211-1	D0-05722001	GRM219F11H104ZA0 1D	1	10/P		CE F	G02A893			211			
212	4843410862	CTP-K1F1E104ZT	1	10/P				212-1					

Item No.	Parts No.	Parts Name	Qty/ Page	Qty/ Pack	Price ()	P I R	BSI No.	To Page, Item	T	From Page, Item	Serial No.	Remarks	Catg.
212-1	D0-05721001	GRM216F11E104ZA0 ID	1	10/P		CE F	G02A893			212			
213	4843410862	CTP-K1F1E104ZT	1	10/P				213-1					
213-1	D0-05721001	GRM216F11E104ZA0 ID	1	10/P		CE F	G02A893			213			
214	4843410862	CTP-K1F1E104ZT	1	10/P				214-1					
214-1	D0-05721001	GRM216F11E104ZA0 ID	1	10/P		CE F	G02A893			214			
215	4843410721	CTP-M1B1H102KT	1	10/P				216-1					
216	4843411173	CE04W1C101M-F	1	10/P						216			
216-1	D0-03604000	KME16VB10MFC	1	10/P		CE F	G02A893						
217	4843411175	CE04W1H470M-F	1	10/P									
218	4843406674	CE04W1H101M	1	10/P				218-1					
218-1	D0-03755000	KME50VB100M	1	10/P		CE F	G02A893			218			
219	4843410702	CTP-M1CH1H300KT	1	10/P									
251	4843076056	RN-2/1PTR15JF	1	10/P									
252	4843075264	RD-1/2P222JT	1	10/P				252-1					
252-1	D0-05564001	R50XT-08J222	1	10/P		CE F	G02A893			252			
253	4843072155	RTP-2B2A471JDT	1	10/P									
254	4843072155	RTP-2B2A471JDT	1	10/P									
255	4843072155	RTP-2B2A471JDT	1	10/P									
256	4843072153	RTP-2B2A331JDT	1	10/P				256-1					
256-1	D0-08138001	RK73K2ATD 330 OHM J	1	10/P		CE F	G02A893			256			
257	4843072157	RTP-2B2A681JDT	1	10/P				257-1					
257-1	D0-08140001	RK73K2ATD 680 OHM J	1	10/P		CE F	G02A893			257			
258	4843072157	RTP-2B2A681JDT	1	10/P				258-1					
258-1	D0-08140001	RK73K2ATD 680 OHM J	1	10/P		CE F	G02A893			258			
259	4843072157	RTP-2B2A681JDT	1	10/P				259-1					
259-1	D0-08140001	RK73K2ATD 680 OHM J	1	10/P		CE F	G02A893			259			
260	4843072169	RTP-2B2A682JDT	1	10/P				260-1					
260-1	D0-03419001	RK73K2ATD 6.8K OHM J	1	10/P		CE F	G02A893			260			
261	4843072160	RTP-2B2A122JDT	1	10/P				261-1					
261-1	D0-08142001	RK73K2ATD 1.2K OHM J	1	10/P		CE F	G02A893			261			
262	4843072157	RTP-2B2A681JDT	1	10/P				262-1					
262-1	D0-08140001	RK73K2ATD 680 OHM J	1	10/P		CE F	G02A893			262			
263	4843072157	RTP-2B2A681JDT	1	10/P				263-1					
263-1	D0-08140001	RK73K2ATD 680 OHM J	1	10/P		CE F	G02A893			263			
264	4843072157	RTP-2B2A681JDT	1	10/P				264-1					
264-1	D0-08140001	RK73K2ATD 680 OHM J	1	10/P		CE F	G02A893			264			
265	4843072156	RTP-2B2A561JDT	1	10/P				265-1					
265-1	D0-08139001	RK73K2ATD 560 OHM J	1	10/P		CE F	G02A893			265			
266	4843072156	RTP-2B2A561JDT	1	10/P				266-1					
266-1	D0-08139001	RK73K2ATD 560 OHM J	1	10/P		CE F	G02A893			266			
267	4843072156	RTP-2B2A561JDT	1	10/P				267-1					
267-1	D0-08139001	RK73K2ATD 560 OHM J	1	10/P		CE F	G02A893			267			
268	4843072064	RTP-2B2A394JDT	1	10/P				268-1					
268-1	D0-08156001	RK73K2ATD 390K OHM J	1	10/P		CE F	G02A893			268			
269	4843072169	RTP-2B2A682JDT	1	10/P				269-1					
269-1	D0-03419001	RK73K2ATD 6.8K OHM J	1	10/P		CE F	G02A893			269			
270	4843072176	RTP-2B2A273JDT	1	10/P				270-1					
270-1	D0-08149001	RK73K2ATD 27K OHM J	1	10/P		CE F	G02A893			270			
271	4843072156	RTP-2B2A561JDT	1	10/P				271-1					
271-1	D0-08139001	RK73K2ATD 560 OHM J	1	10/P		CE F	G02A893			271			
272	4843072156	RTP-2B2A561JDT	1	10/P				272-1					
272-1	D0-08139001	RK73K2ATD 560 OHM J	1	10/P		CE F	G02A893			272			
273	4843072156	RTP-2B2A561JDT	1	10/P				273-1					

Item No.	Parts No.	Parts Name	Qty/ Page	Qty/ Pack	Price ()	P I R	BSI No.	To Page, Item	T	From Page, Item	Serial No.	Remarks	Catg.
273-1	D0-08139001	RK73K2ATD 560 OHM J	1	10/P		CE F	G02A893			273			
274	4843072069	RTP-2B2A105JDT	1	10/P									
275	4843072059	RTP-2B2A154JDT	1	10/P				275-1					
275-1	D0-07113001	RK73K2ATD 150K OHMJ	1	10/P		CE F	G02A893			275			
276	4843072171	RTP-2B2A103JDT	1	10/P				276-1					
276-1	D0-03408001	RK73K2ATD 10K OHM J	1	10/P		CE F	G02A893			276			
277	4843072054	RTP-2B2A563JDT	1	10/P				277-1					
277-1	D0-03418001	RK73K2ATD 56K OHM J	1	10/P		CE F	G02A893			277			
278	4843072153	RTP-2B2A331JDT	1	10/P				278-1					
278-1	D0-08138001	RK73K2ATD 330 OHM J	1	10/P		CE F	G02A893			278			
279	4843072153	RTP-2B2A331JDT	1	10/P				279-1					
279-1	D0-08138001	RK73K2ATD 330 OHM J	1	10/P		CE F	G02A893			279			
280	4843072061	RTP-2B2A224JDT	1	10/P				280-1					
280-1	D0-07115001	RK73K2ATD 220K OHMJ	1	10/P		CE F	G02A893			280			
281	4843072147	RTP-2B2A101JDT	1	10/P									
282	4843072159	RTP-2B2A102JDT	1	10/P				282-1					
282-1	D0-03407001	RK73K2ATD 1.0K OHM J	1	10/P		CE F	G02A893			282			
284	4843072163	RTP-2B2A222JDT	1	10/P				284-1					
284-1	D0-03412001	RK73K2ATD 2.2K OHM J	1	10/P		CE F	G02A893			284			
285	4843072167	RTP-2B2A472JDT	1	10/P				285-1					
285-1	D0-03416001	RK73K2ATD 4.7K OHM J	1	10/P		CE F	G02A893			285			
286	4843072159	RTP-2B2A102JDT	1	10/P				286-1					
286-1	D0-03407001	RK73K2ATD 1.0K OHM J	1	10/P		CE F	G02A893			286			
287	4843072167	RTP-2B2A472JDT	1	10/P				287-1					
287-1	D0-03416001	RK73K2ATD 4.7K OHM J	1	10/P		CE F	G02A893			287			
288	4843072165	RTP-2B2A332JDT	1	10/P				288-1					
288-1	D0-03414001	RK73K2ATD 3.3K OHM J	1	10/P		CE F	G02A893			288			
289	4843072175	RTP-2B2A223JDT	1	10/P				289-1					
289-1	D0-03413001	RK73K2ATD 22K OHM J	1	10/P		CE F	G02A893			289			
290	4843072167	RTP-2B2A472JDT	1	10/P				290-1					
290-1	D0-03416001	RK73K2ATD 4.7K OHM J	1	10/P		CE F	G02A893			290			
291	4843072160	RTP-2B2A122JDT	1	10/P				291-1					
291-1	D0-08142001	RK73K2ATD 1.2K OHM J	1	10/P		CE F	G02A893			291			
292	4843072167	RTP-2B2A472JDT	1	10/P				292-1					
292-1	D0-03416001	RK73K2ATD 4.7K OHM J	1	10/P		CE F	G02A893			292			
293	4843072167	RTP-2B2A472JDT	1	10/P				293-1					
293-1	D0-03416001	RK73K2ATD 4.7K OHM J	1	10/P		CE F	G02A893			293			
294	4843072167	RTP-2B2A472JDT	1	10/P				294-1					
294-1	D0-03416001	RK73K2ATD 4.7K OHM J	1	10/P		CE F	G02A893			294			
295	4843072167	RTP-2B2A472JDT	1	10/P				295-1					
295-1	D0-03416001	RK73K2ATD 4.7K OHM J	1	10/P		CE F	G02A893			295			
296	4843072159	RTP-2B2A102JDT	1	10/P				296-1					
296-1	D0-03407001	RK73K2ATD 1.0K OHM J	1	10/P		CE F	G02A893			296			
297	4843072160	RTP-2B2A122JDT	1	10/P				297-1					
297-1	D0-08142001	RK73K2ATD 1.2K OHM J	1	10/P		CE F	G02A893			297			
298	4843072160	RTP-2B2A122JDT	1	10/P				298-1					
298-1	D0-08142001	RK73K2ATD 1.2K OHM J	1	10/P		CE F	G02A893			298			
299	4843072167	RTP-2B2A472JDT	1	10/P				299-1					
299-1	D0-03416001	RK73K2ATD 4.7K OHM J	1	10/P		CE F	G02A893			299			
300	4843072153	RTP-2B2A331JDT	1	10/P				300-1					

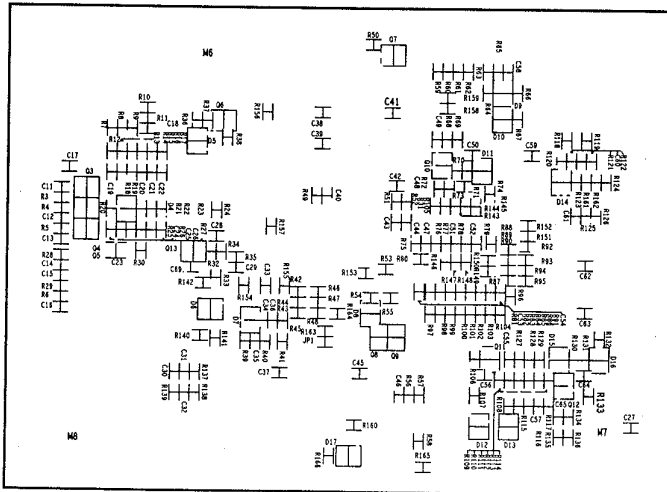
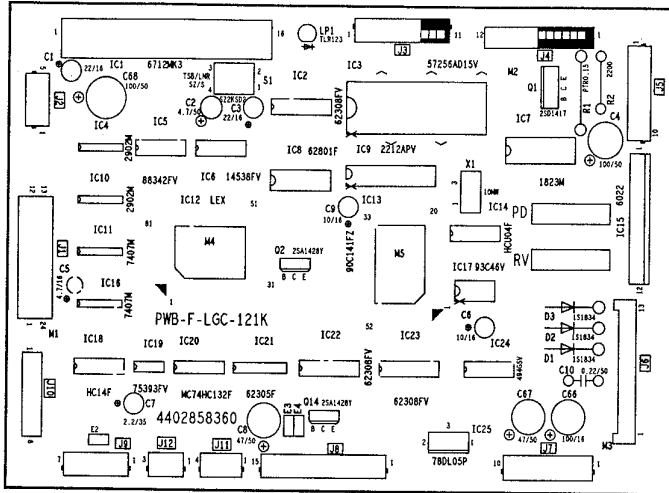
Item No.	Parts No.	Parts Name	Qty/ Page	Qty/ Pack	Price ()	P I R	BSI No.	To Page, Item	T	From Page, Item	Serial No.	Remarks	Catg.
300-1	D0-08138001	RK73K2ATD 330 OHM J	1	10/P		CE F	G02A893			300			
301	4843072167	RTP-2B2A472JDT	1	10/P				301-1					
301-1	D0-03416001	RK73K2ATD 4.7K OHM J	1	10/P		CE F	G02A893			301			
302	4843072167	RTP-2B2A472JDT	1	10/P				302-1					
302-1	D0-03416001	RK73K2ATD 4.7K OHM J	1	10/P		CE F	G02A893			302			
303	4843072165	RTP-2B2A332JDT	1	10/P				303-1					
303-1	D0-03414001	RK73K2ATD 3.3K OHM J	1	10/P		CE F	G02A893			303			
304	4843072145	RTP-2B2A680JDT	1	10/P				304-1					
304-1	D0-08135001	RK73K2ATD 68 OHM J	1	10/P		CE F	G02A893			304			
305	4843072167	RTP-2B2A472JDT	1	10/P				305-1					
305-1	D0-03416001	RK73K2ATD 4.7K OHM J	1	10/P		CE F	G02A893			305			
306	4843072167	RTP-2B2A472JDT	1	10/P				306-1					
306-1	D0-03416001	RK73K2ATD 4.7K OHM J	1	10/P		CE F	G02A893			306			
307	4843072167	RTP-2B2A472JDT	1	10/P				307-1					
307-1	D0-03416001	RK73K2ATD 4.7K OHM J	1	10/P		CE F	G02A893			307			
308	4843072167	RTP-2B2A472JDT	1	10/P				308-1					
308-1	D0-03416001	RK73K2ATD 4.7K OHM J	1	10/P		CE F	G02A893			308			
309	4843072167	RTP-2B2A472JDT	1	10/P				309-1					
309-1	D0-03416001	RK73K2ATD 4.7K OHM J	1	10/P		CE F	G02A893			309			
310	4843072167	RTP-2B2A472JDT	1	10/P				310-1					
310-1	D0-03416001	RK73K2ATD 4.7K OHM J	1	10/P		CE F	G02A893			310			
311	4843072167	RTP-2B2A472JDT	1	10/P				311-1					
311-1	D0-03416001	RK73K2ATD 4.7K OHM J	1	10/P		CE F	G02A893			311			
312	4843072167	RTP-2B2A472JDT	1	10/P				312-1					
312-1	D0-03416001	RK73K2ATD 4.7K OHM J	1	10/P		CE F	G02A893			312			
313	4843072164	RTP-2B2A272JDT	1	10/P				313-1					
313-1	D0-08143001	RK73K2ATD 2.7K OHM J	1	10/P		CE F	G02A893			313			
314	4843072161	RTP-2B2A152JDT	1	10/P				314-1					
314-1	D0-07125001	RK73K2ATD 1.5K OHM J	1	10/P		CE F	G02A893			314			
315	4843072150	RTP-2B2A180JDT	1	10/P				315-1					
315-1	D0-07124001	RK73K2ATD 180 OHM J	1	10/P		CE F	G02A893			315			
316	4843072167	RTP-2B2A472JDT	1	10/P				316-1					
316-1	D0-03416001	RK73K2ATD 4.7K OHM J	1	10/P		CE F	G02A893			316			
317	4843072167	RTP-2B2A472JDT	1	10/P				317-1					
317-1	D0-03416001	RK73K2ATD 4.7K OHM J	1	10/P		CE F	G02A893			317			
318	4843072167	RTP-2B2A472JDT	1	10/P				318-1					
318-1	D0-03416001	RK73K2ATD 4.7K OHM J	1	10/P		CE F	G02A893			318			
319	4843072065	RTP-2B2A474JDT	1	10/P				319-1					
319-1	D0-08157001	RK73K2ATD 470K OHM J	1	10/P		CE F	G02A893			319			
320	4843072167	RTP-2B2A472JDT	1	10/P				320-1					
320-1	D0-03416001	RK73K2ATD 4.7K OHM J	1	10/P		CE F	G02A893			320			
321	4843072057	RTP-2B2A104JDT	1	10/P				321-1					
321-1	D0-08153001	RK73K2ATD 100K OHM J	1	10/P		CE F	G02A893			321			
322	4843072167	RTP-2B2A472JDT	1	10/P				322-1					
322-1	D0-03416001	RK73K2ATD 4.7K OHM J	1	10/P		CE F	G02A893			322			
323	4843072159	RTP-2B2A102JDT	1	10/P				323-1					
323-1	D0-03407001	RK73K2ATD 1.0K OHM J	1	10/P		CE F	G02A893			323			
324	4843072167	RTP-2B2A472JDT	1	10/P				324-1					
324-1	D0-03416001	RK73K2ATD 4.7K OHM J	1	10/P		CE F	G02A893			324			

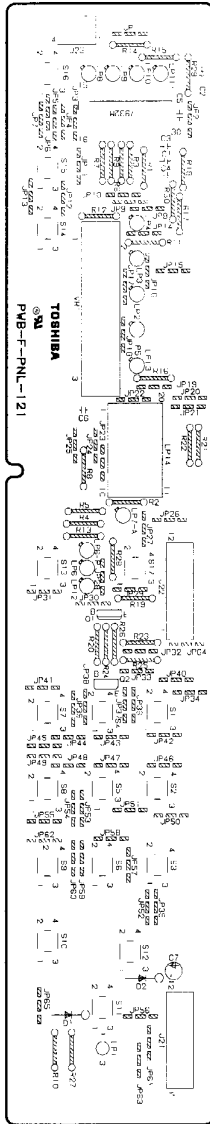
Item No.	Parts No.	Parts Name	Qty/ Page	Qty/ Pack	Price ()	P I R	BSI No.	To Page, Item	T	From Page, Item	Serial No.	Remarks	Catg.
325	4843072167	RTP-2B2A472JDT	1	10/P				325-1					
325-1	D0-03416001	RK73K2ATD 4.7K OHM J	1	10/P		CE F	G02A893			325			
326	4843072167	RTP-2B2A472JDT	1	10/P				326-1					
326-1	D0-03416001	RK73K2ATD 4.7K OHM J	1	10/P		CE F	G02A893			326			
327	4843072167	RTP-2B2A472JDT	1	10/P				327-1					
327-1	D0-03416001	RK73K2ATD 4.7K OHM J	1	10/P		CE F	G02A893			327			
328	4843072147	RTP-2B2A101JDT	1	10/P									
329	4843072167	RTP-2B2A472JDT	1	10/P				329-1					
329-1	D0-03416001	RK73K2ATD 4.7K OHM J	1	10/P		CE F	G02A893			329			
330	4843072167	RTP-2B2A472JDT	1	10/P				330-1					
330-1	D0-03416001	RK73K2ATD 4.7K OHM J	1	10/P		CE F	G02A893			330			
331	4843072167	RTP-2B2A472JDT	1	10/P				331-1					
331-1	D0-03416001	RK73K2ATD 4.7K OHM J	1	10/P		CE F	G02A893			331			
332	4843072167	RTP-2B2A472JDT	1	10/P				332-1					
332-1	D0-03416001	RK73K2ATD 4.7K OHM J	1	10/P		CE F	G02A893			332			
333	4843072167	RTP-2B2A472JDT	1	10/P				333-1					
333-1	D0-03416001	RK73K2ATD 4.7K OHM J	1	10/P		CE F	G02A893			333			
334	4843072167	RTP-2B2A472JDT	1	10/P				334-1					
334-1	D0-03416001	RK73K2ATD 4.7K OHM J	1	10/P		CE F	G02A893			334			
335	4843072167	RTP-2B2A472JDT	1	10/P				335-1					
335-1	D0-03416001	RK73K2ATD 4.7K OHM J	1	10/P		CE F	G02A893			335			
336	4843072167	RTP-2B2A472JDT	1	10/P				336-1					
336-1	D0-03416001	RK73K2ATD 4.7K OHM J	1	10/P		CE F	G02A893			336			
337	4843072167	RTP-2B2A472JDT	1	10/P				337-1					
337-1	D0-03416001	RK73K2ATD 4.7K OHM J	1	10/P		CE F	G02A893			337			
338	4843072167	RTP-2B2A472JDT	1	10/P				338-1					
338-1	D0-03416001	RK73K2ATD 4.7K OHM J	1	10/P		CE F	G02A893			338			
339	4843072167	RTP-2B2A472JDT	1	10/P				339-1					
339-1	D0-03416001	RK73K2ATD 4.7K OHM J	1	10/P		CE F	G02A893			339			
340	4843072167	RTP-2B2A472JDT	1	10/P				340-1					
340-1	D0-03416001	RK73K2ATD 4.7K OHM J	1	10/P		CE F	G02A893			340			
341	4843072167	RTP-2B2A472JDT	1	10/P				341-1					
341-1	D0-03416001	RK73K2ATD 4.7K OHM J	1	10/P		CE F	G02A893			341			
342	4843072167	RTP-2B2A472JDT	1	10/P				342-1					
342-1	D0-03416001	RK73K2ATD 4.7K OHM J	1	10/P		CE F	G02A893			342			
343	4843072167	RTP-2B2A472JDT	1	10/P				343-1					
343-1	D0-03416001	RK73K2ATD 4.7K OHM J	1	10/P		CE F	G02A893			343			
344	4843072167	RTP-2B2A472JDT	1	10/P				344-1					
344-1	D0-03416001	RK73K2ATD 4.7K OHM J	1	10/P		CE F	G02A893			344			
345	4843072167	RTP-2B2A472JDT	1	10/P				345-1					
345-1	D0-03416001	RK73K2ATD 4.7K OHM J	1	10/P		CE F	G02A893			345			
346	4843072159	RTP-2B2A102JDT	1	10/P				346-1					
346-1	D0-03407001	RK73K2ATD 1.0K OHM J	1	10/P		CE F	G02A893			346			
347	4843072167	RTP-2B2A472JDT	1	10/P				347-1					
347-1	D0-03416001	RK73K2ATD 4.7K OHM J	1	10/P		CE F	G02A893			347			
348	4843072167	RTP-2B2A472JDT	1	10/P				348-1					
348-1	D0-03416001	RK73K2ATD 4.7K OHM J	1	10/P		CE F	G02A893			348			
349	4843072167	RTP-2B2A472JDT	1	10/P				349-1					
349-1	D0-03416001	RK73K2ATD 4.7K OHM J	1	10/P		CE F	G02A893			349			
350	4843072167	RTP-2B2A472JDT	1	10/P				350-1					

Item No.	Parts No.	Parts Name	Qty/ Page	Qty/ Pack	Price ()	P I R	BSI No.	To Page, Item	T	From Page, Item	Serial No.	Remarks	Catg.
350-1	D0-03416001	RK73K2ATD 4.7K OHM J	1	10/P		C E F	G02A893			350			
351	4843072167	RTP-2B2A472JDT	1	10/P				351-1					
351-1	D0-03416001	RK73K2ATD 4.7K OHM J	1	10/P		C E F	G02A893			351			
352	4843072167	RTP-2B2A472JDT	1	10/P				352-1					
352-1	D0-03416001	RK73K2ATD 4.7K OHM J	1	10/P		C E F	G02A893			352			
353	4843072167	RTP-2B2A472JDT	1	10/P				353-1					
353-1	D0-03416001	RK73K2ATD 4.7K OHM J	1	10/P		C E F	G02A893			353			
354	4843072167	RTP-2B2A472JDT	1	10/P				354-1					
354-1	D0-03416001	RK73K2ATD 4.7K OHM J	1	10/P		C E F	G02A893			354			
355	4843072147	RTP-2B2A101JDT	1	10/P				356-1					
356	4843072167	RTP-2B2A472JDT	1	10/P									
356-1	D0-03416001	RK73K2ATD 4.7K OHM J	1	10/P		C E F	G02A893			356			
357	4843072167	RTP-2B2A472JDT	1	10/P				357-1					
357-1	D0-03416001	RK73K2ATD 4.7K OHM J	1	10/P		C E F	G02A893			357			
358	4843072057	RTP-2B2A104JDT	1	10/P				358-1					
358-1	D0-08153001	RK73K2ATD 100K OHM J	1	10/P		C E F	G02A893			358			
359	4843072165	RTP-2B2A332JDT	1	10/P				359-1					
359-1	D0-03414001	RK73K2ATD 3.3K OHM J	1	10/P		C E F	G02A893			359			
360	4843072171	RTP-2B2A103JDT	1	10/P				360-1					
360-1	D0-03408001	RK73K2ATD 10K OHM J	1	10/P		C E F	G02A893			360			
361	4843072169	RTP-2B2A682JDT	1	10/P				361-1					
361-1	D0-03419001	RK73K2ATD 6.8K OHM J	1	10/P		C E F	G02A893			361			
362	4843072167	RTP-2B2A472JDT	1	10/P				362-1					
362-1	D0-03416001	RK73K2ATD 4.7K OHM J	1	10/P		C E F	G02A893			362			
363	4843072065	RTP-2B2A474JDT	1	10/P				363-1					
363-1	D0-08157001	RK73K2ATD 470K OHM J	1	10/P		C E F	G02A893			363			
364	4843072147	RTP-2B2A101JDT	1	10/P									
365	4843072162	RTP-2B2A182JDT	1	10/P				365-1					
365-1	D0-07126001	RK73K2ATD 1.8K OHM J	1	10/P		C E F	G02A893			365			
366	4843072167	RTP-2B2A472JDT	1	10/P				366-1					
366-1	D0-03416001	RK73K2ATD 4.7K OHM J	1	10/P		C E F	G02A893			366			
367	4843072167	RTP-2B2A472JDT	1	10/P				367-1					
367-1	D0-03416001	RK73K2ATD 4.7K OHM J	1	10/P		C E F	G02A893			367			
368	4843072171	RTP-2B2A103JDT	1	10/P				368-1					
368-1	D0-03408001	RK73K2ATD 10K OHM J	1	10/P		C E F	G02A893			368			
369	4843072171	RTP-2B2A103JDT	1	10/P				369-1					
369-1	D0-03408001	RK73K2ATD 10K OHM J	1	10/P		C E F	G02A893			369			
370	4843072177	RTP-2B2A333JDT	1	10/P				370-1					
370-1	D0-08150001	RK73K2ATD 33K OHM J	1	10/P		C E F	G02A893			370			
371	4843072173	RTP-2B2A153JDT	1	10/P				371-1					
371-1	D0-03411001	RK73K2ATD 15K OHM J	1	10/P		C E F	G02A893			371			
372	4843072173	RTP-2B2A153JDT	1	10/P				372-1					
372-1	D0-03411001	RK73K2ATD 15K OHM J	1	10/P		C E F	G02A893			372			
373	4843072175	RTP-2B2A223JDT	1	10/P				373-1					
373-1	D0-03413001	RK73K2ATD 22K OHM J	1	10/P		C E F	G02A893			373			
374	4843072175	RTP-2B2A223JDT	1	10/P				374-1					
374-1	D0-03413001	RK73K2ATD 22K OHM J	1	10/P		C E F	G02A893			374			
375	4843072173	RTP-2B2A153JDT	1	10/P				375-1					
375-1	D0-03411001	RK73K2ATD 15K OHM J	1	10/P		C E F	G02A893			375			
376	4843072171	RTP-2B2A103JDT	1	10/P				376-1					

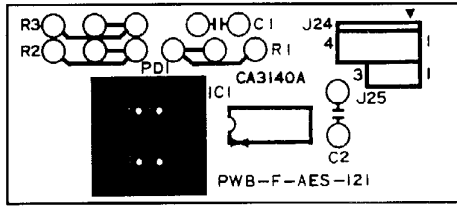
Item No.	Parts No.	Parts Name	Qty/ Page	Qty/ Pack	Price ()	P I R	BSI No.	To Page, Item	T	From Page, Item	Serial No.	Remarks	Catg.
376-1	D0-03408001	RK73K2ATD 10K OHM J	1	10/P		CE F	G02A893			376			
377	4843072175	RTP-2B2A223JDT	1	10/P				377-1					
377-1	D0-03413001	RK73K2ATD 22K OHM J	1	10/P		CE F	G02A893			377			
378	4843072175	RTP-2B2A223JDT	1	10/P				378-1					
378-1	D0-03413001	RK73K2ATD 22K OHM J	1	10/P		CE F	G02A893			378			
379	4843072167	RTP-2B2A472JDT	1	10/P				379-1					
379-1	D0-03416001	RK73K2ATD 4.7K OHM J	1	10/P		CE F	G02A893			379			
380	4843072167	RTP-2B2A472JDT	1	10/P				380-1					
380-1	D0-03416001	RK73K2ATD 4.7K OHM J	1	10/P		CE F	G02A893			380			
381	4843072162	RTP-2B2A182JDT	1	10/P				381-1					
381-1	D0-07126001	RK73K2ATD 1.8K OHM J	1	10/P		CE F	G02A893			381			
382	4843072169	RTP-2B2A682JDT	1	10/P				382-1					
382-1	D0-03419001	RK73K2ATD 6.8K OHM J	1	10/P		CE F	G02A893			382			
383	4843072167	RTP-2B2A472JDT	1	10/P				383-1					
383-1	D0-03416001	RK73K2ATD 4.7K OHM J	1	10/P		CE F	G02A893			383			
384	4843072175	RTP-2B2A223JDT	1	10/P				384-1					
384-1	D0-03413001	RK73K2ATD 22K OHM J	1	10/P		CE F	G02A893			384			
385	4843072167	RTP-2B2A472JDT	1	10/P				385-1					
385-1	D0-03416001	RK73K2ATD 4.7K OHM J	1	10/P		CE F	G02A893			385			
386	4843072167	RTP-2B2A472JDT	1	10/P				386-1					
386-1	D0-03416001	RK73K2ATD 4.7K OHM J	1	10/P		CE F	G02A893			386			
387	4843072153	RTP-2B2A331JDT	1	10/P				387-1					
387-1	D0-08138001	RK73K2ATD 330 OHM J	1	10/P		CE F	G02A893			387			
388	4843072150	RTP-2B2A180JDT	1	10/P				388-1					
388-1	D0-07124001	RK73K2ATD 180 OHM J	1	10/P		CE F	G02A893			388			
389	4843072057	RTP-2B2A104JDT	1	10/P				389-1					
389-1	D0-08153001	RK73K2ATD 100K OHM J	1	10/P		CE F	G02A893			389			
393	4843072147	RTP-2B2A101JDT	1	10/P									
394	4843072147	RTP-2B2A101JDT	1	10/P									
395	4843072147	RTP-2B2A101JDT	1	10/P									
396	4843072147	RTP-2B2A101JDT	1	10/P									
397	4843072147	RTP-2B2A101JDT	1	10/P									
398	4843072147	RTP-2B2A101JDT	1	10/P									
399	4843072167	RTP-2B2A472JDT	1	10/P				399-1					
399-1	D0-03416001	RK73K2ATD 4.7K OHM J	1	10/P		CE F	G02A893			399			
400	4843072167	RTP-2B2A472JDT	1	10/P				400-1					
400-1	D0-03416001	RK73K2ATD 4.7K OHM J	1	10/P		CE F	G02A893			400			
401	4843072167	RTP-2B2A472JDT	1	10/P				401-1					
401-1	D0-03416001	RK73K2ATD 4.7K OHM J	1	10/P		CE F	G02A893			401			
402	4843072167	RTP-2B2A472JDT	1	10/P				402-1					
402-1	D0-03416001	RK73K2ATD 4.7K OHM J	1	10/P		CE F	G02A893			402			
403	4843072147	RTP-2B2A101JDT	1	10/P									
404	4843072167	RTP-2B2A472JDT	1	10/P				404-1					
404-1	D0-03416001	RK73K2ATD 4.7K OHM J	1	10/P		CE F	G02A893			404			
405	4843072167	RTP-2B2A472JDT	1	10/P				405-1					
405-1	D0-03416001	RK73K2ATD 4.7K OHM J	1	10/P		CE F	G02A893			405			
406	4843072147	RTP-2B2A101JDT	1	10/P									
407	4843072147	RTP-2B2A101JDT	1	10/P									
408	4843072167	RTP-2B2A472JDT	1	10/P				408-1					
408-1	D0-03416001	RK73K2ATD 4.7K OHM J	1	10/P		CE F	G02A893			408			
409	4843072167	RTP-2B2A472JDT	1	10/P				409-1					

Item No.	Parts No.	Parts Name	Qty/ Page	Qty/ Pack	Price ()	P I R	BSI No.	To Page, Item	T	From Page, Item	Serial No.	Remarks	Catg.
409-1	D0-03416001	RK73K2ATD 4.7K OHM J	1	10/P		CE F	G02A893			409			
410	4843072171	RTP-2B2A103JDT	1	10/P				410-1					
410-1	D0-03408001	RK73K2ATD 10K OHM J	1	10/P		CE F	G02A893			410			
411	4843072178	RTP-2B2A393JDT	1	10/P				411-1					
411-1	D0-07127001	RK73K2ATD 39K OHM J	1	10/P		CE F	G02A893			411			
412	4843072055	RTP-2B2A683JDT	1	10/P				412-1					
412-1	D0-07112001	RK73K2ATD 68K OHM J	1	10/P		CE F	G02A893			412			
413	4843072167	RTP-2B2A472JDT	1	10/P				413-1					
413-1	D0-03416001	RK73K2ATD 4.7K OHM J	1	10/P		CE F	G02A893			413			
414	4843072167	RTP-2B2A472JDT	1	10/P				414-1					
414-1	D0-03416001	RK73K2ATD 4.7K OHM J	1	10/P		CE F	G02A893			414			
415	4843072167	RTP-2B2A472JDT	1	10/P				415-1					
415-1	D0-03416001	RK73K2ATD 4.7K OHM J	1	10/P		CE F	G02A893			415			
416	4843072167	RTP-2B2A472JDT	1	10/P				416-1					
416-1	D0-03416001	RK73K2ATD 4.7K OHM J	1	10/P		CE F	G02A893			416			
417	4843072159	RTP-2B2A102JDT	1	10/P				417-1					
417-1	D0-03407001	RK73K2ATD 1.0K OHM J	1	10/P		CE F	G02A893			417			
418	4843072159	RTP-2B2A102JDT	1	10/P				418-1					
418-1	D0-03407001	RK73K2ATD 1.0K OHM J	1	10/P		CE F	G02A893			418			
419	4843072167	RTP-2B2A472JDT	1	10/P				419-1					
419-1	D0-03416001	RK73K2ATD 4.7K OHM J	1	10/P		CE F	G02A893			419			
431	4843307784	J-53313-2415	1	5/P				431-1					
431-1	E0-00798000	53313-2415	1	5/P		CE F	G02A893			431			
432	4843306193	J-0-175487-5	1	5/P				432-1					
432-1	E0-00091000	175487-5	1	5/P		CE F	G02A893			432			
433A	4843306191	J-0-175487-3	2	5/P				433A-1				1360	
433A1	E0-00089000	175487-3	2	5/P		CE F	G02A893			433A		1360	
433B	4843306199	J-1-175487-1	1	5/P				433B-1				1370	
433B1	E0-00083000	1-175487-1	1	5/P		CE F	G02A893			433B		1370	
434A	4843308042	J-53401-0610	1	10/P				434A-1				1360	
434A1	E0-02717000	53401-0610	1	10/P		CE F	G02A893			434A		1360	
434B	4843308048	J-53401-1210	1	10/P				434B-1				1370	
434B1	E0-02718000	53401-1210	1	10/P		CE F	G02A893			434B		1370	
435	4843306198	J-1-175487-0	1	5/P				435-1					
435-1	E0-00082000	1-175487-0	1	5/P		CE F	G02A893			435			
436	4843304935	J-53052-1310	1	5/P				436-1					
436-1	E0-02677000	53052-1310	1	5/P		CE F	G02A893			436			
437	4843306198	J-1-175487-0	1	5/P				437-1					
437-1	E0-00082000	1-175487-0	1	5/P		CE F	G02A893			437			
438	4843306203	J-1-175487-5	1	5/P				438-1					
438-1	E0-00087000	1-175487-5	1	5/P		CE F	G02A893			438			
439	4843306195	J-0-175487-7	1	5/P				439-1					
439-1	E0-00093000	175487-7	1	5/P		CE F	G02A893			439			
440	4843308044	J-53401-0810	1	5/P				440-1					
440-1	E0-02726000	53401-0810	1	5/P		CE F	G02A893			440			
441	4843306192	J-0-175487-4	1	5/P				441-1					
441-1	E0-00090000	175487-4	1	5/P		CE F	G02A893			441			
442B	4843306191	J-0-175487-3	1	5/P				442B-1				1370	
442B1	E0-00089000	175487-3	1	5/P		CE F	G02A893			442B		1370	
443	4843306194	J-O-175487-6	1	5/P				443-1					
443-1	E0-00092000	175487-6	1	5/P		CE F	G02A893			443			
461	4842040665	TPAN30*06MSZN3L	2	50/P				461-1					
461-1	X0-01473000	S/TPS/PAN-3X6-ZB	2	10/P		CE F	G02A893			461			
462	4843072180	RTP-2B2A00	1	10/P				462-1					
462-1	D0-03427001	RK73Z2ATD	1	10/P		CE F	G02A893			462			

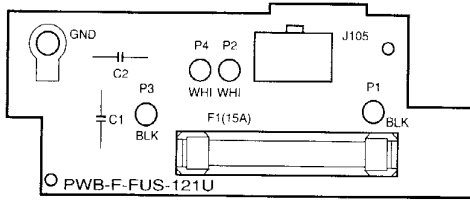




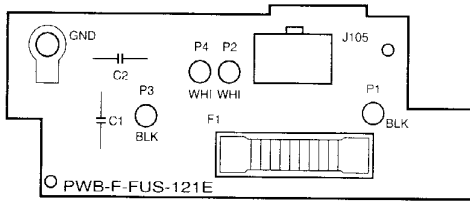
Item No.	Parts No.	Parts Name	Qty/ Page	Qty/ Pack	Price ()	P I R	BSI No.	To Page, Item	T	From Page, Item	Serial No.	Remarks	Catg.
0	4402858020	PWA-F-AES-121	1	1/C									
1	4402858220		1	N/A***									
11	4407418360	IC-CA3140E	1	5/S				11-1					
11-1	C0-04828000	CA3140E	1	5/S		CE F	G02A893			11			
21	4843171300	PHD-S4797-01	1	1/C				21-1					
21-1	C0-04395000	S4797-01	1	1/C		CE F	G02A893			21			
31	4843410262	CQ921M1H102K	1	10/P				31-1					
31-1	D0-04107000	LDS50-102K	1	10/P		CE F	G02A893			31			
32	4407942000	CZ-308F104Z50	1	10/P									
51	4843070888	RD1/6L-027KJ	1	10/P				51-1					
51-1	D0-07110000	RD16SMJ 27K OHM	1	10/P		CE F	G02A893			51			
52	4843070890	RD1/6L-039KJ	1	10/P				52-1					
52-1	D0-04650000	ERDS2TJ393A	1	10/P		CE F	G02A893			52			
53	4843070906	RD1/6L-820KJ	1	10/P				53-1					
53-1	D0-07111000	RD16SMJ 820K OHM	1	10/P		CE F	G02A893			53			
81	4843306779	J-175489-3	1	5/P				81-1					
81-1	E0-04082000	175489-3	1	5/P		CE F	G02A893			81			



Item No.	Parts No.	Parts Name	Qty/ Page	Qty/ Pack	Price ()	P I R	BSI No.	To Page, Item	T	From Page, Item	Serial No.	Remarks	Catg.
0A	4402858070		1	N/A***								100V SERIES	
0B	4402858080		1	N/A***								200V SERIES	
1A	4402858330		1	N/A***								100V SERIES	
1B	4402858340		1	N/A***								200V SERIES	
2A	4843510601	FH-SN-5051	2	1/P				2A-1				100V SERIES	
2A1	E0-03490000	S-N-5051	2	1/P		CE F	G02A893			2A		100V SERIES	
2B	4407966760	FUSE/CLIP-MINI	2	5/P								200V SERIES	
11A	4843500040	FU-CES6-15A	1	5/P				11A-1				100V SERIES	
11A1	E0-04037000	CES6 15A	1	5/P		CE F	G02A893			11A		100V SERIES	
11B	4408217550	FUSE-S506-6.3A	1	5/P								200V SERIES	
21	4843412436	CKM-45E2B472MY	1	10/P				21-1					
21-1	D0-04603000	ECKDRS472MEY	1	10/P		CE F	G02A893			21			
22	4843412436	CKM-45E2B472MY	1	10/P				22-1					
22-1	D0-04603000	ECKDRS472MEY	1	10/P		CE F	G02A893			22			
31	4402859250	LUG/T-F9032	1	5/P				31-1					
31-1	E0-04362000	F9032	1	5/P		CE F	G02A893			31			
41	4843306538	J-53265-0220	1	5/P				41-1					
41-1	E0-02685000	53265-0220	1	5/P		CE F	G02A893			41			

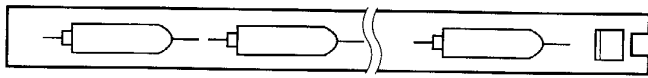


100V SERIES

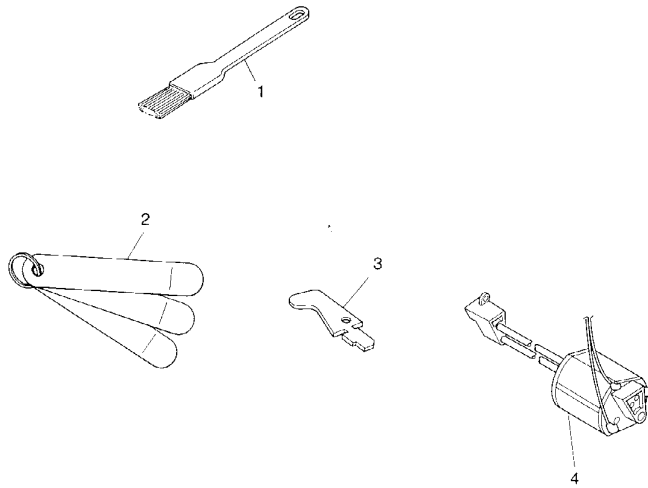


200V SERIES

Item No.	Parts No.	Parts Name	Qty/ Page	Qty/ Pack	Price ()	P I R	BSI No.	To Page, Item	T	From Page, Item	Serial No.	Remarks	Catg.
0	4402858170	PWA-F-ERS-121	1	1/S									
1	4402858350		1	N/A***									
31	4407406520	LAMP-12V-150MA	6	5/C									
51	4843308005	J-53325-0210	1	5/P				51-1					
51-1	E0-02694000	53325-0210	1	5/P		CEF	G02A893			51			



Item No.	Parts No.	Parts Name	Qty/ Page	Qty/ Pack	Price ()	P I R	BSI No.	To Page, Item	T	From Page, Item	Serial No.	Remarks	Catg.
1	4400545330	BRUSH-518	1	1/P									
2	4402048100	ASM-JIG-DOC-180	1	1/P									
3	4407915730	JIG-SW-F-COV	1	1/P									
4	4402853600	ASM-JIG-DRUM	1	1/C									



Item No.	Parts No.	Parts Name	Qty/ Page	Qty/ Pack	Price ()	P I R	BSI No.	To Page, Item	T	From Page, Item	Serial No.	Remarks	Catg.
1	66084569	OD-1350	1	SUPPLY				1-1					
1-1	4409832520	OD-1350	1	1/S		CE J	F99D590			1		4QTY/SET FOR EUR.	DRM SUP SUP
2A	66084566	T-1350	1	SUPPLY									
2B	66084567	T-1350E	1	SUPPLY									
3	66084568	D-1350	1	SUPPLY				3-1					
3-1	4409843650	D-1350	1	1/S		CE J	F99D590			3			DEV CSP CSP CSP SUP
4	4409832830	HR-1350-U	1	1/S									
5	4409832880	BL-1350D	1	1/PAC									
6	4409832970	BL-1350H	1	1/PAC									
7A	66084575	TB-1350	1	SUPPLY								10QTY/SET	SUP
7B	66084576	TB-1350E	1	SUPPLY								FOR EUR.	SUP CSP
8	4409824720	HR-1210-L	1	1/S									
9A	66084578	KM-1350EN	1	SUPPLY								ENGLISH	
9B	66084579	KM-1350GE	1	SUPPLY								GERMAN	
9C	66084580	KM-1350FR	1	SUPPLY								FRENCH	
9D	66084581	KM-1350SP	1	SUPPLY								SPANISH	
9E	66084582	KM-1350IT	1	SUPPLY								ITALIAN	
10A	66084616	MF-1350U	1	SUPPLY								100V SERIES	
10B	66084617	MF-1350E	1	SUPPLY								200V SERIES	
11A	66084570	KC-1350L	1	SUPPLY								USA SIZE	
11B	66084571	KC-1350A	1	SUPPLY								EUR SIZE	
12A	4402844140	ASM-BKT-DH-120	1	1/P								MF-1350U	
12B	4402844150	ASM-BKT-DH-230	1	1/D								MF-1350E	
13	4402858430	WH-DAMPHTR-121	1	1/P								MF-1350U,E	
14	4842040480	THPAN3006MSZN3L	1	50/P								MF-1350U,E	
15	4842040847	PTBR30*10MSZN3A	2	50/P				15-1				MF-1350U,E	
15-1	X0-01513000	S/TPP/BRZ-3X10-ZC	2	10/P		CE F	G02A893			15		MF-1350U,E	

