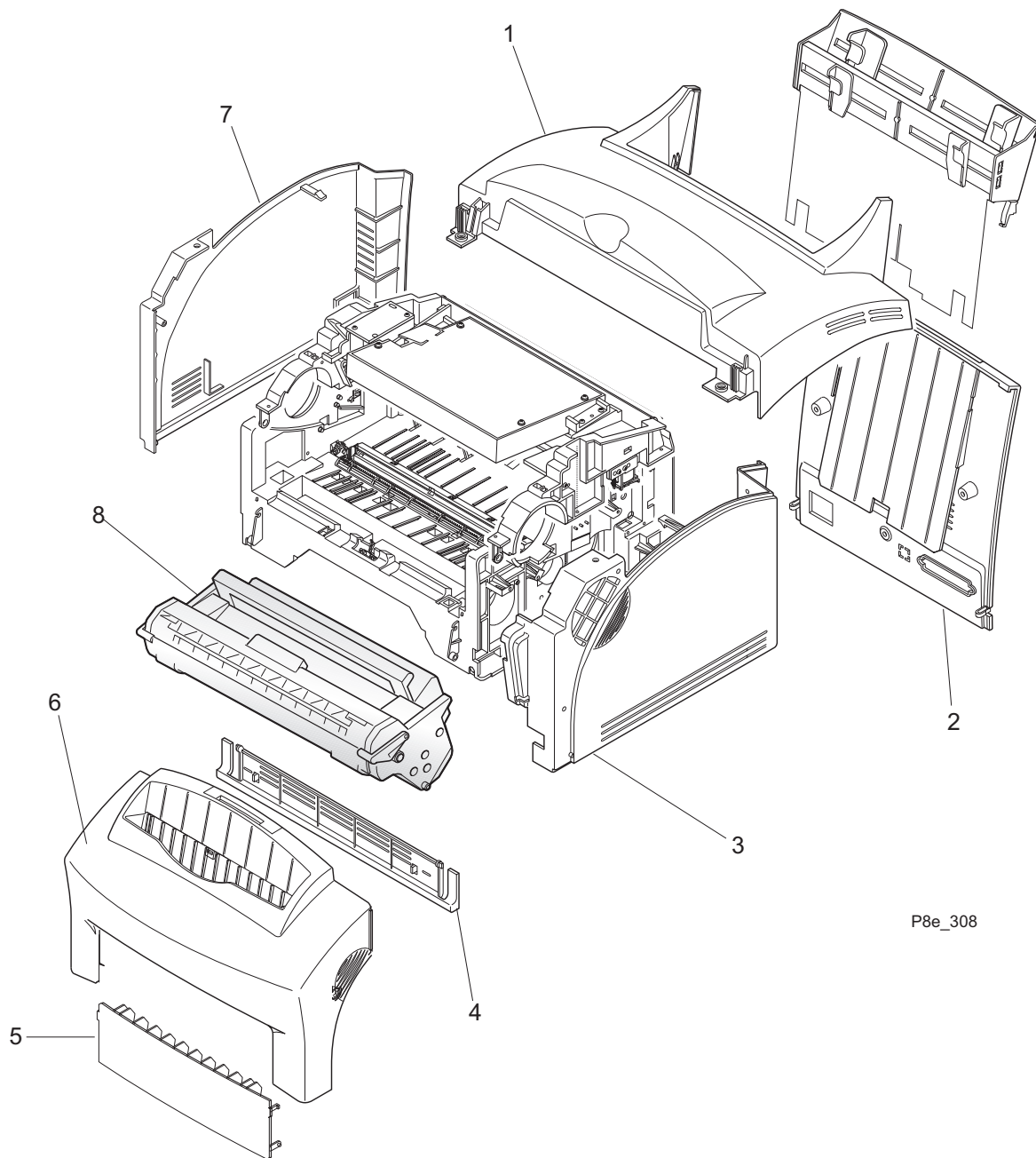


PL 1 Крышки

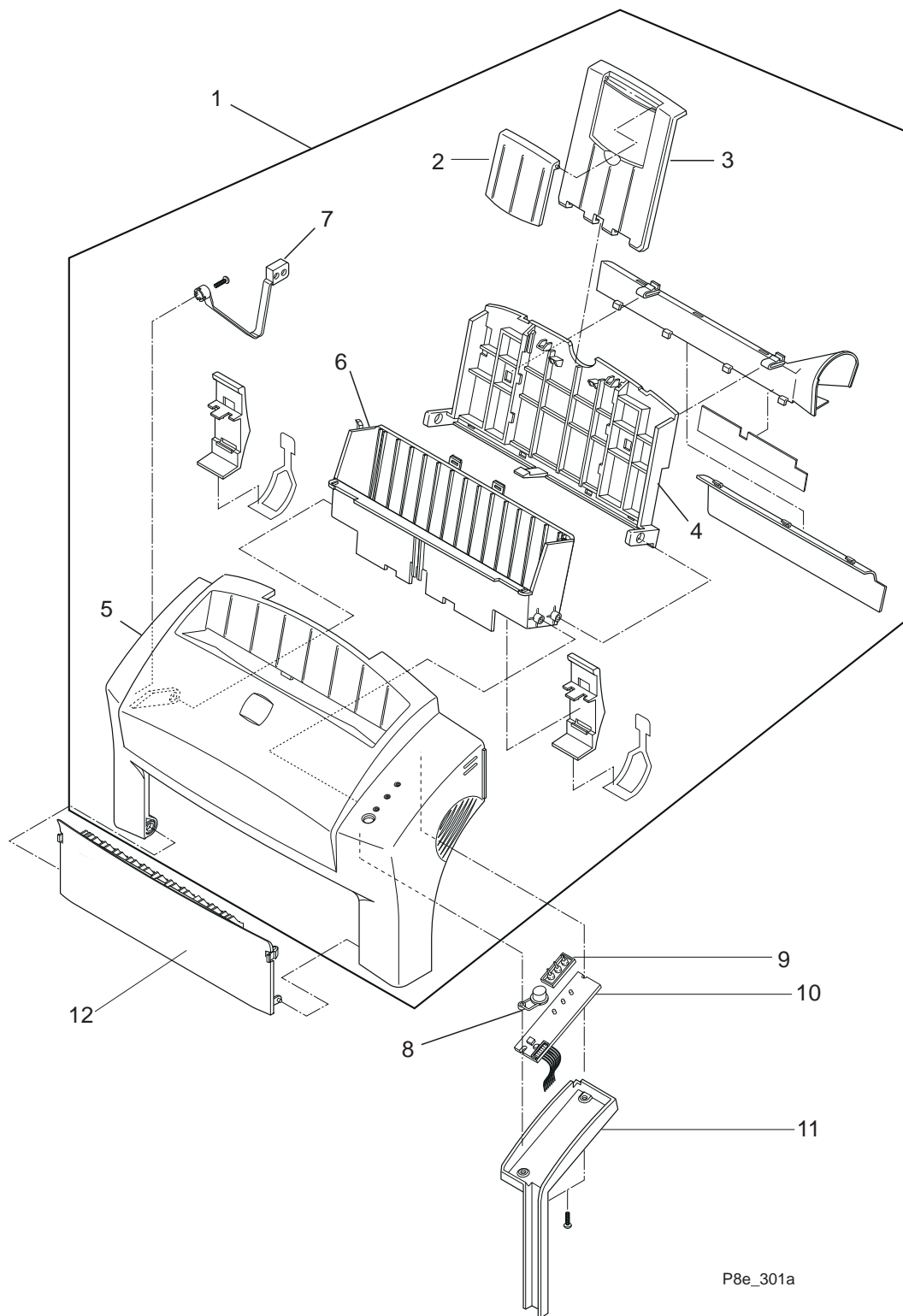
Пункт	Номер	Название
1)	-----	Top Cover}
2)	802E00400	Rear Cover
3)	-----	Right Side Cover
4)	-----	Bottom Cover
5)	-----	Face Up Cover
6)	802E00380	Front Cover
7)	-----	Left Side Cover
8)	113R00296	Print Cartridge
A)	600K72020	Hardware Kit



P8e_308

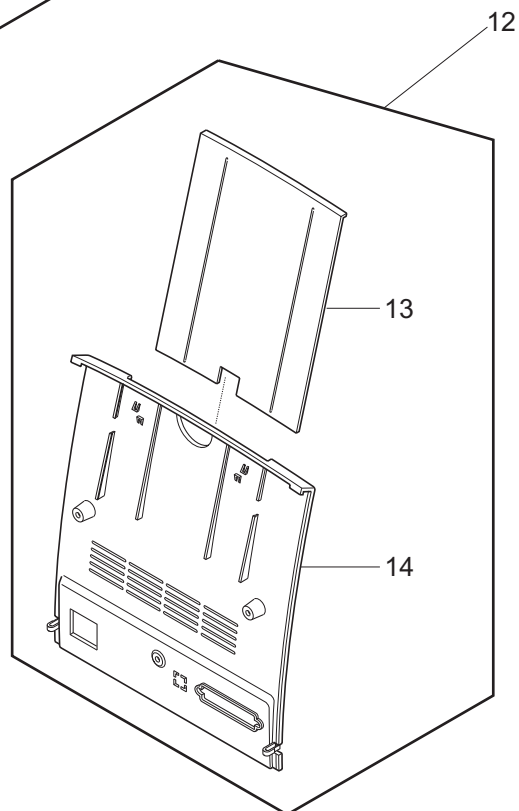
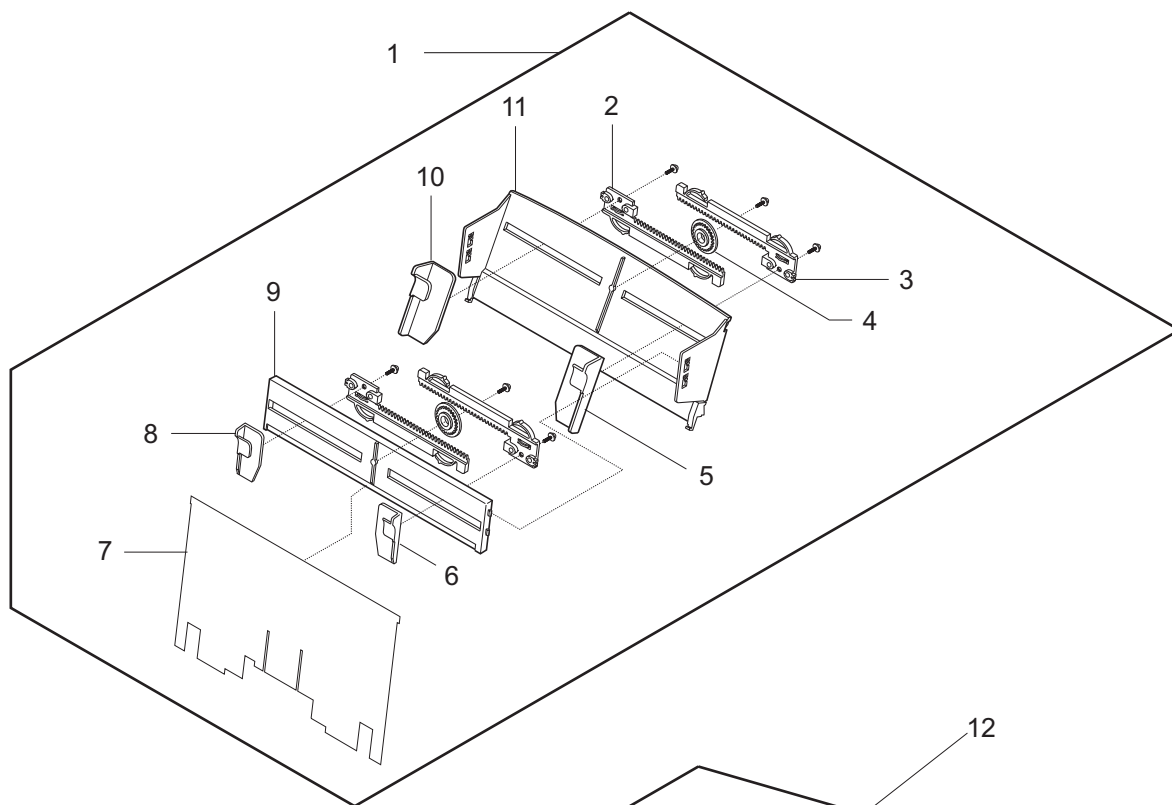
PL 2 Передняя крышка

Пункт	Номер	Название
1)	-----	Front Cover {Includes Items 2 through 7}
2)	-----	Stacker Extender
3)	-----	Stacker
4)	-----	Duct
5)	802E00380	Front Cover
6)	-----	Stacker Guide
7)	-----	Stopper
8)	3E50440	Key
9)	107E16960	LED
10)	101E19680	Control Panel
11)	-----	Control Panel Cover
12)	802E00390	Face Up Exit Cover
A)	600K72020	Hardware Kit



PL 3 Лотки для бумаги

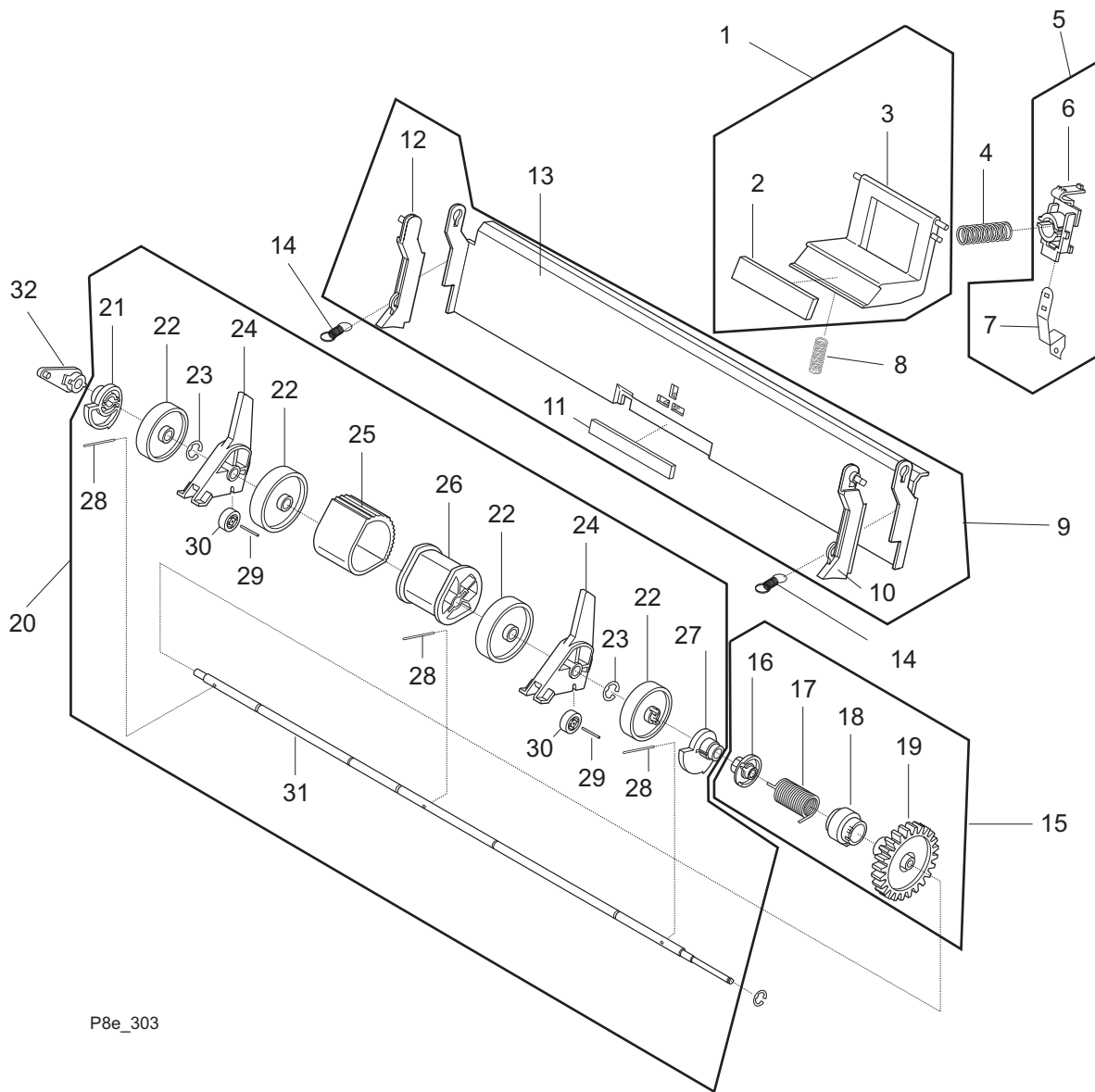
Пункт	Номер	Название
1)	-----	Media (Paper) Tray {Includes Items 2 through 12}
2)	-----	Gear Adjust Rack, Left
3)	-----	Gear Adjust Rack, Right
4)	-----	Pinion Gear
5)	-----	Auto Tray Adjust, Right
6)	-----	Manual Tray Adjust, Right
7)	-----	Film Guide Sheet
8)	-----	Manual Tray Adjust, Left
9)	-----	Manual Paper Tray
10)	-----	Auto Tray Adjust, Left
11)	-----	Paper Guide Plate
12)	-----	Rear Cover Assembly {Includes Items 13 & 14}
13)	50E15050	Tray Extender
14)	802E00400	Rear Cover
A)	600K72020	Hardware Kit



P8e_302

PL 4 Податчик бумаги

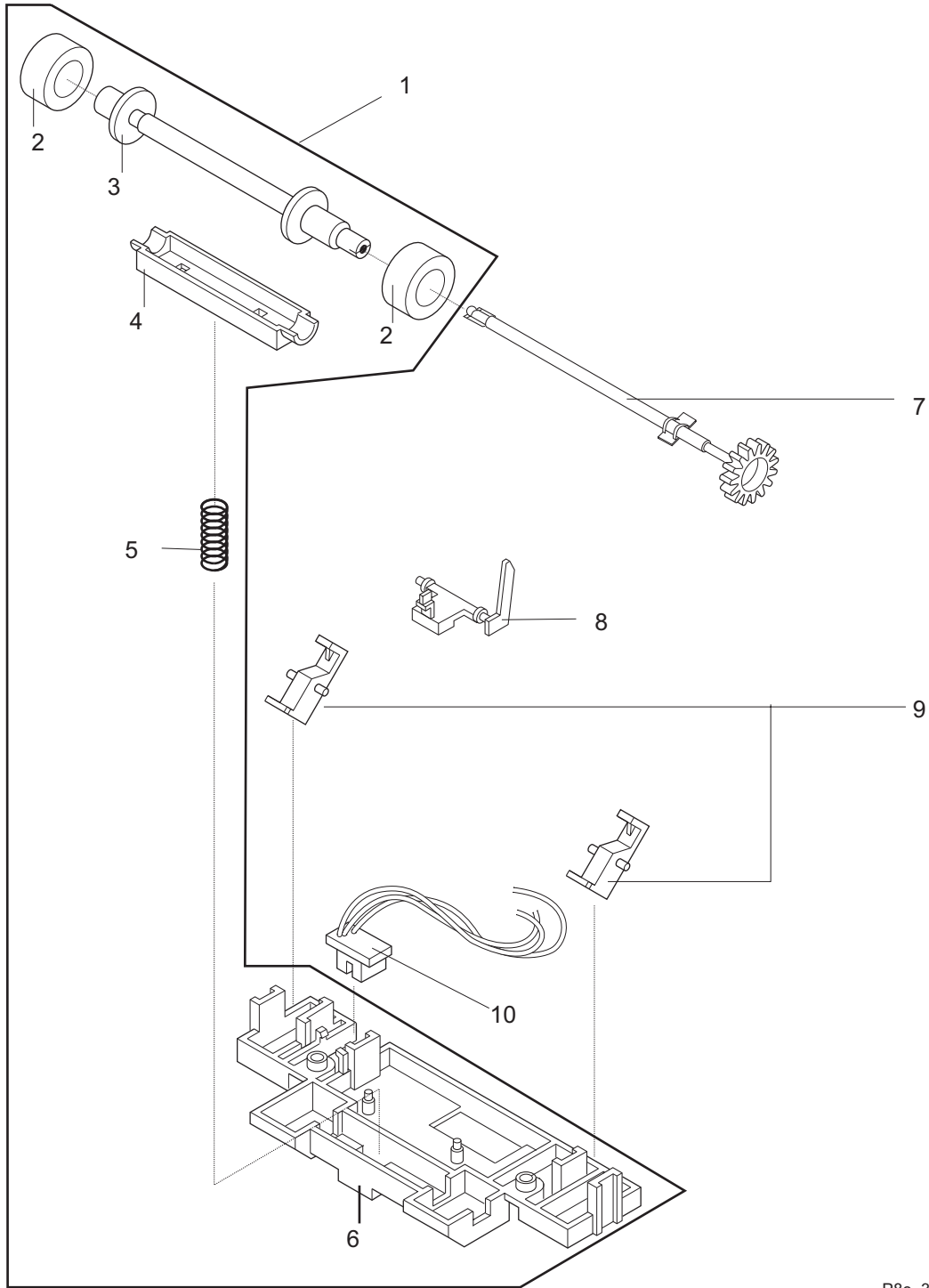
Пункт	Номер	Название
1)	19K04760	Paper Separator Unit {Includes Items 2 & 3}
2)	-----	Separator Pad
3)	-----	Separator Holder
4)	809E18310	Knock Up Spring
5)	19K04770	Knock Up Spring Holder Assembly {Includes Items 6 & 7}
6)	-----	Knock Up Spring Holder
7)	-----	Knock Up Ground
8)	-----	Separator Spring
9)	15K39950	Media Unit Knock Up Assembly {Includes Items 10 through 13}
10)	-----	Knock Up Holder, Right
11)	-----	Knock Up Pad
12)	-----	Knock Up Holder, Left
13)	-----	Knock Up Plate
14)	-----	Extension Spring
15)	7K10890	Media Unit Clutch {Includes Items 16 through 19}
16)	-----	Clutch Hub
17)	-----	Clutch Spring
18)	-----	Clutch Collar
19)	-----	Pick Up Gear
20)	-----	Media Unit Pick Up Assembly {Includes Items 21 through 31}
21)	-----	Knock Up Cam
22)	-----	Paper Guide Roll
23)	-----	E-Ring
24)	32E14350	Paper Feed Guide
25)	130E09080	Pick Up Rubber
26)	-----	Pick Up Housing
27)	-----	Knock Up Cam, Right
28)	-----	Pick Up Shaft Pin
29)	-----	Feed Idler Shaft
30)	22E23240	Feed Roller, Left
31)	-----	Pick Up Shaft
32)	-----	Shaft Lock Bushing
A)	600K72020	Hardware Kit



P8e_303

PL 5 Транспортер бумаги

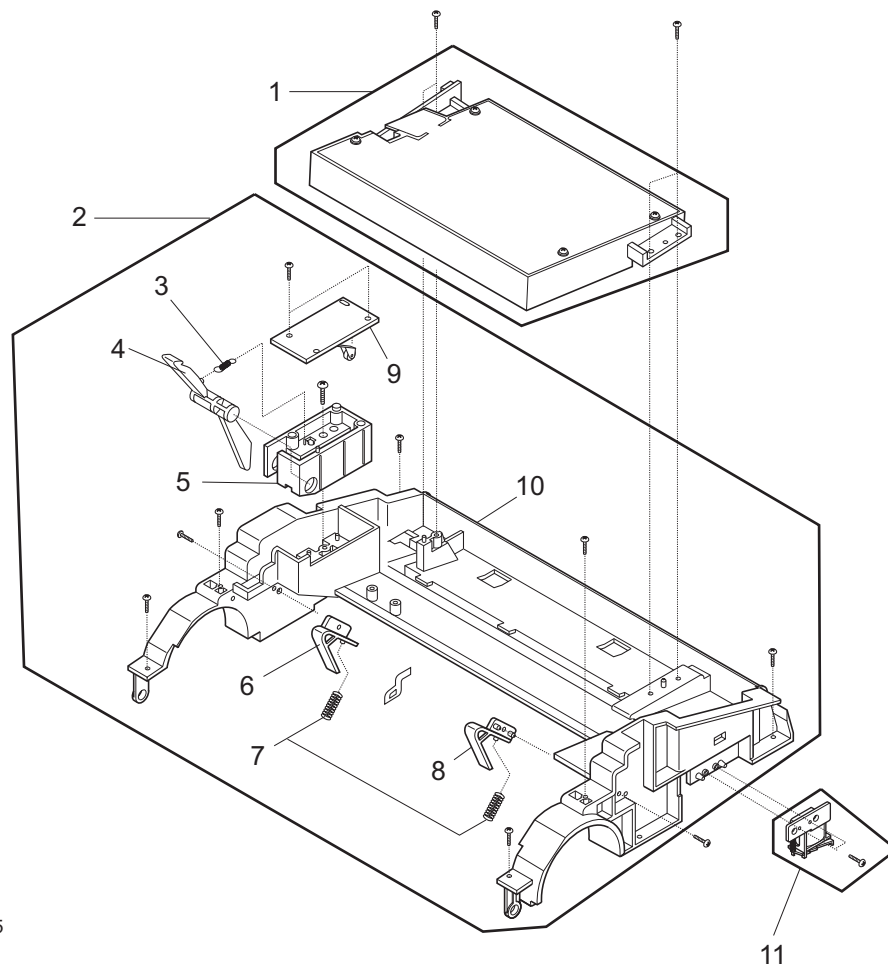
Пункт	Номер	Название
1)	22K64020	Media Frame Support Unit {Includes Items 2 through 6}
2)	-----	Feed Rubber
3)	-----	Idler Feed Shaft
4)	-----	Feed Shaft Bearing
5)	-----	Feed Spring
6)	-----	Feed Support Frame
7)	-----	Media Feed Gear Unit
8)	120E19120	Paper Empty Actuator
9)	695E58680	Paper Separator
10)	130K64640	Paper Empty Assembly
A)	600K72020	Hardware Kit



P8e_304

PL 6 Узел рамы (1 из 2)

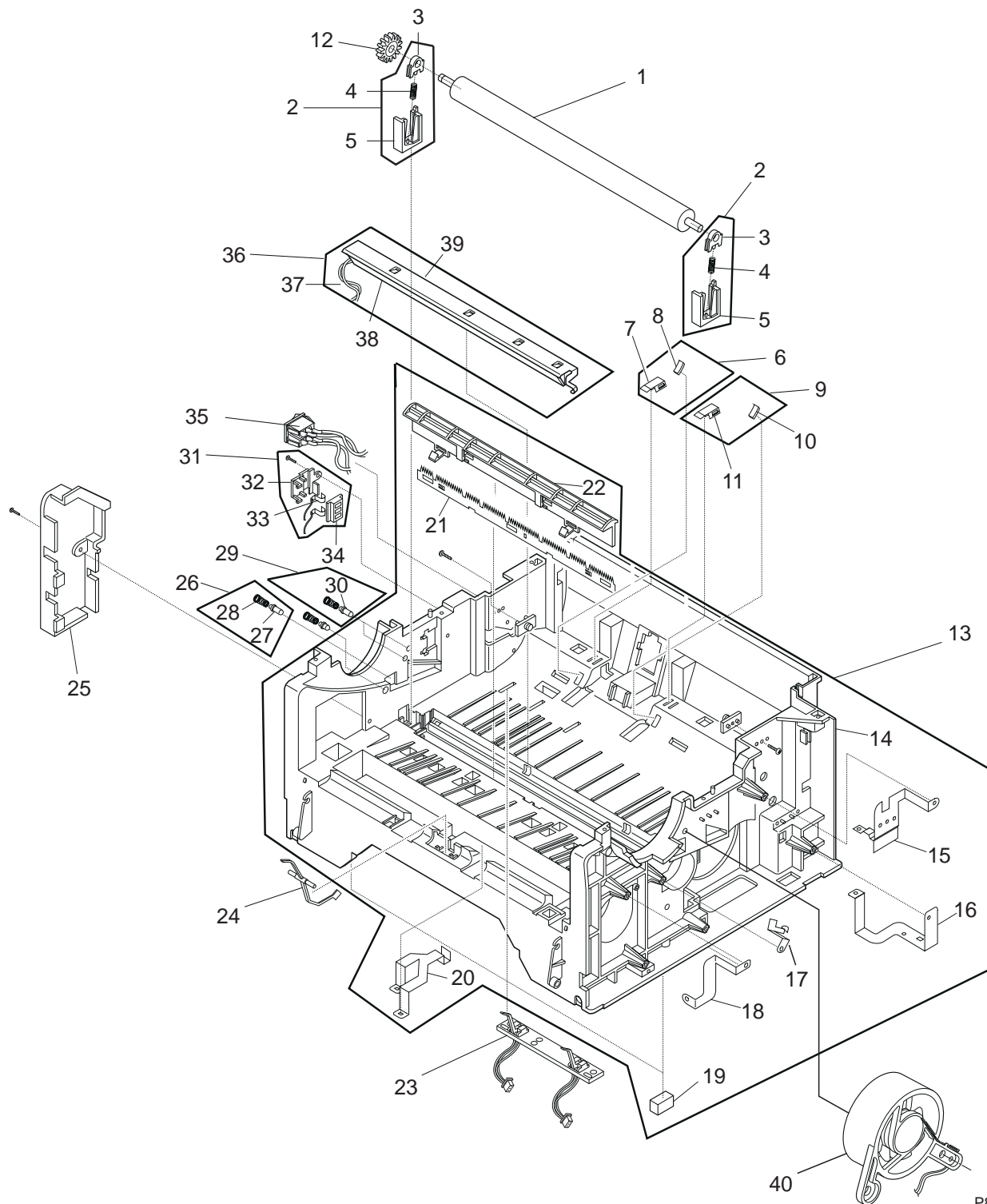
Пункт	Номер	Название
1)	62K09270	LSU (Laser) Unit
2)	001K72470	Upper Frame Unit
3)	-----	Cover Open Actuator Spring
4)	-----	Cover Open Actuator
5)	-----	Cover Open Micro Switch
6)	-----	Developer Plate, Left
7)	-----	Developer Plate Spring
8)	-----	Developer Plate, Right
9)	-----	Cover Open Sensor Cover
10)	-----	Upper Frame
11)	121K15480	Paper Feed Solenoid
A)	600K72020	Hardware Kit



P8e_305

PL 7 Узел рамы (2 из 2)

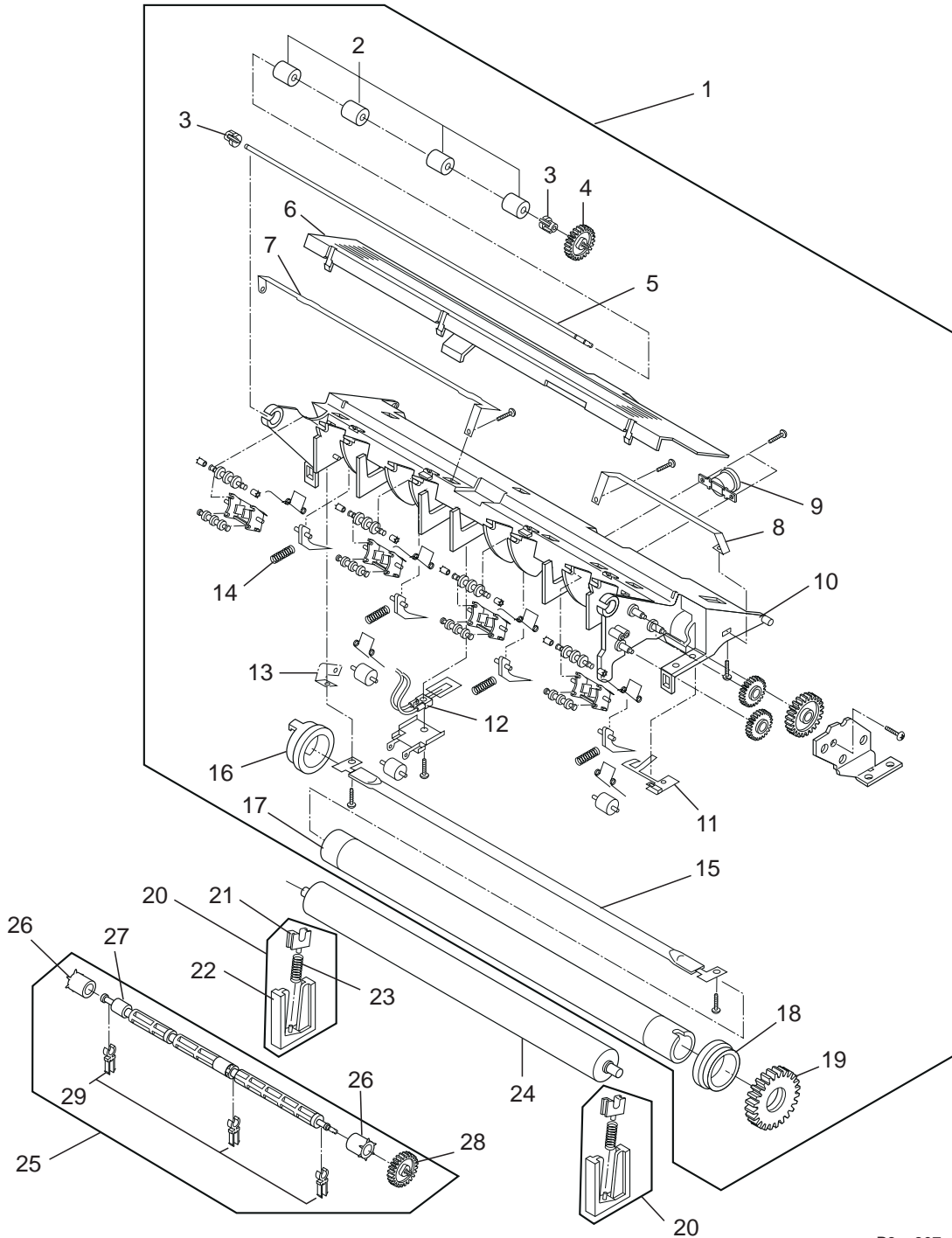
Пункт	Номер	Название
1)	22E23250	Transfer Roller
2)	19K04780	Transfer Unit Holder {Includes Items 3, 4, & 5}
3)	-----	Transfer Roller Bushing
4)	-----	Transfer Roller Spring
5)	-----	Transfer Roller Holder
6)	-----	Media Unit Operator, Left {Includes Items 7 & 8}
7)	-----	Pad Holder, Left
8)	-----	Separator Pad, Left
9)	-----	Media Unit Operator, Right {Includes Items 10 & 11}
10)	-----	Separator Pad, Right
11)	-----	Pad Holder, Right
12)	007E59210	Transfer Gear
13)	15K39960	Lower Frame Unit
14)	-----	Base Frame
15)	-----	
16)	-----	
17)	-----	
18)	-----	
19)	-----	Rubber Foot
20)	-----	
21)	-----	Saw Plate
22)	-----	Saw Plate Holder
23)	130E09090	Feed Sensor Assembly
24)	120E19130	Exit Actuator
25)	101E19690	Fuser Cover
26)	-----	Transfer Roller Terminal Unit {Includes Items 27 & 28}
27)	-----	High Voltage Shaft, Large
28)	-----	High Voltage Spring, Large
29)	-----	High Voltage Terminal Unit
30)	-----	High Voltage Shaft, Small
31)	-----	Developer Unit Fuse {Includes Items 32, 33, & 34}
32)	108K00690	Developer Unit Fuse Contact, Upper
33)	-----	Developer Unit Fuse Plate
34)	-----	Developer Unit Fuse Contact, Lower
35)	-----	Off / On Switch
36)	38K12830	ELA Unit-PTL
37)	-----	
38)	-----	
39)	-----	
40)	127E12600	DC Fan Motor
A)	600K72020	Hardware Kit



P8e_306a

PL 8 Фьюзер

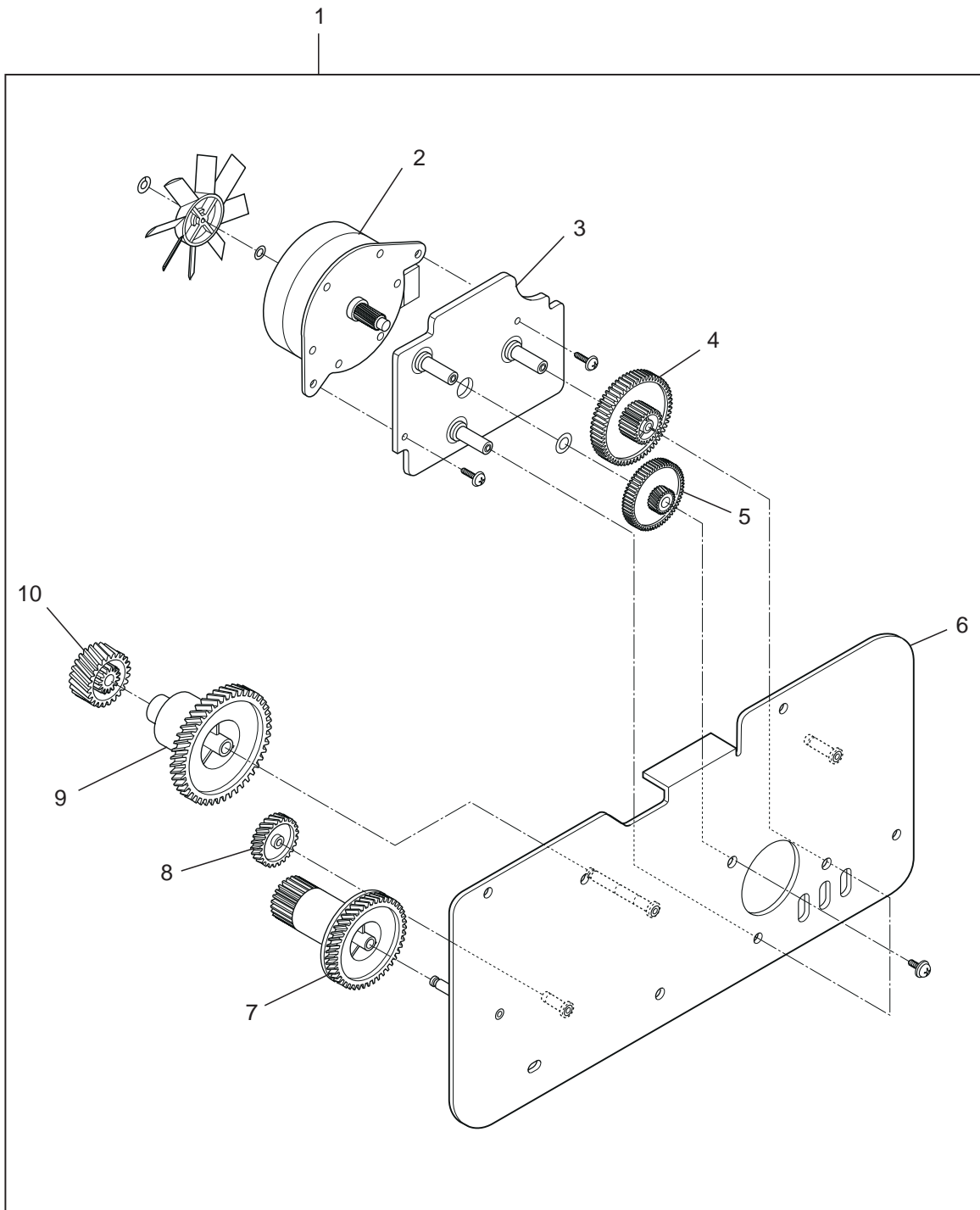
Пункт	Номер	Название
1)	126K12920	Fuser Unit Assembly (115 VAC) {Includes Items 2 through 19}
	126K12970	Fuser Unit Assembly (220 VAC) {Includes Items 2 through 19}
2)	-----	Rubber Exit Roller
3)	-----	Exit Bearing
4)	-----	Exit Gear
5)	-----	Roller
6)	-----	Fuser Cover
7)	-----	AC Electrode, Left
8)	-----	AC Electrode, Right
9)	-----	Thermostat
10)	-----	Fuser Frame
11)	-----	Bracket
12)	130E09100	Thermistor
13)	-----	Bracket
14)	-----	Exit Spring
15)	122E02490	Halogen Lamp (115 VAC)
	122E02480	Halogen Lamp (220 VAC)
16)	-----	Heat Roll Bearing, Left
17)	-----	Heat Roller
18)	-----	Heat Roll Bearing, Right
19)	-----	Fuser Gear
20)	9K01910	Pressure Roller Holder Assembly {Includes Items 21, 22, & 23}
21)	-----	Pressure Roller Bearing
22)	-----	Pressure Roller Bearing Holder
23)	-----	Pressure Roller Bearing Spring
24)	126K12890	Pressure Roller
25)	17E09150	Exit Roller Assembly {Includes Items 26, 27, 28, & 29}
26)	-----	Rubber Exit Roll F/Up
27)	-----	Exit Shaft F/Up
28)	-----	Exit Gear
29)	115E06360	Exit Shaft Bushing - TX
A)	600K72020	Hardware Kit



P8e_307a

PL 9 Двигатель главного привода

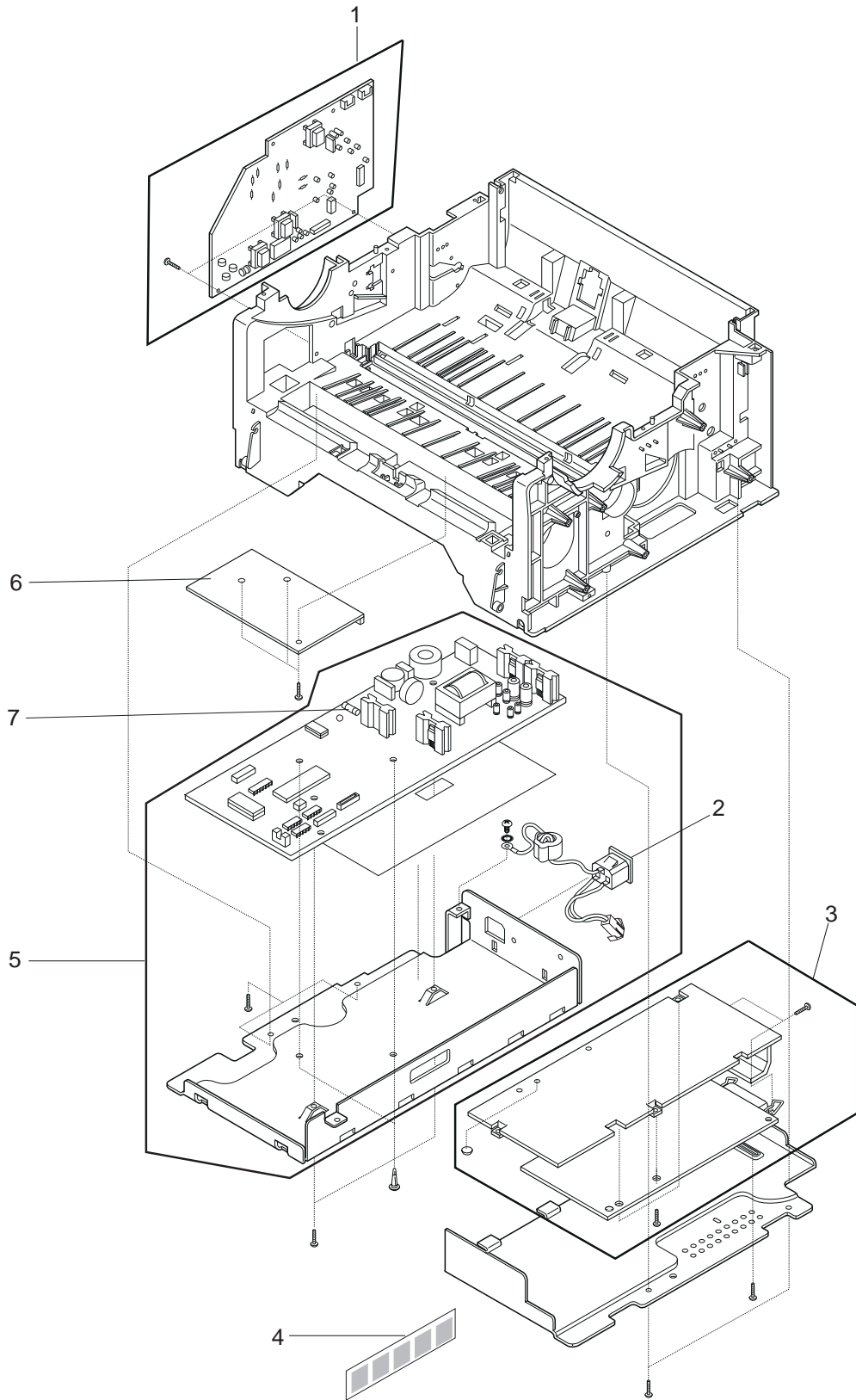
Пункт	Номер	Название
1)	127K30150	Main Drive Motor Assembly {Includes Items 2 through 12}
2)	-----	Main Drive Motor
3)	-----	Motor bracket
4)	-----	Motor Drive Gear
5)	-----	Feed Drive Gear
6)	-----	Gear Bracket
7)	-----	Gear-Drive 1
8)	-----	Gear-Drive 2
9)	-----	Gear-Pulley
10)	-----	RCT-Belt Impeller
A)	600K72020	Hardware Kit



P8e_309a

PL 10 Электроника

Пункт	Номер	Название
1)	160K60070	High Voltage Power Supply PWB
2)	114E15570	AC Plug Assembly
3)	160K60060	Controller PWB (115 VAC)
	160K55520	Controller PWB (220 VAC)
4)	-----	SIMM 4MB
	-----	SIMM 8MB
	-----	SIMM 16MB
	-----	SIMM 32MB
5)	160K55660	Engine Controller PWB (115 VAC)
	160K55510	Engine Controller PWB (220 VAC)
6)	007K11190	Joint PWB
7)	108E05380	Fuse (115 VAC / T8A)
	108E05390	Fuse (220 VAC / T5A)
A)	600K72020	Hardware Kit



P8e_310a