
4 Parts and diagrams

- [Order parts by authorized service providers](#)
- [How to use the parts lists and diagrams](#)
- [Assembly locations](#)
- [Covers](#)
- [Internal assemblies](#)
- [PCAs](#)
- [Alphabetical parts list](#)
- [Numerical parts list](#)

Order parts by authorized service providers

Order replacement parts

Table 4-1 Order parts, accessories, and supplies

Order supplies and paper	www.hp.com/go/suresupply
Order genuine HP parts or accessories	www.hp.com/buy/parts
Order through service or support providers	Contact an HP-authorized service or support provider.

Related documentation and software

Table 4-2 Related documentation and software

Item	Description	Part number
<i>HP LaserJet P1560 and P1600 Printer series User Guide</i>	Product user guide.	CE663-90901
<i>HP LaserJet P1560 and P1600 Printer series Service Manual</i>	English service manual (this manual)	CE663-90939

Supplies part numbers

Table 4-3 Supplies part numbers


Item	Description	Part number
HP LaserJet print cartridge	Print cartridge	CE278A (new) CE278-67901 (service)

Customer self repair parts

Table 4-4 Customer replaceable units (CRU) kit part numbers

Item	Description	Part number
Kit, separation pad	Separation pad	CE663-67901
	Installation instructions	
Kit, pickup roller	Pickup roller	CE663-67902
	Installation instructions	

Service parts

 **NOTE:** The parts in the following table are not shown in the assembly illustrations in this chapter.

Item	Description	Part number
HP jewel	HP logo	7121-8266
Regulatory label	Blank label	5969-9497

Whole-unit replacement part numbers


 **NOTE:** Whole-unit replacement products include the formatter PCA.

Table 4-5 Whole-unit replacement part numbers

Item	Description	Part number
HP LaserJet Professional P1560 Printer series	220 V	CE663-67002 (new)
		CE663-69002 (exchange)
HP LaserJet Professional P1600 Printer series	110 V	CE749-67001(new)
		CE749-69001(exchange)
	220 V	CE749-67002 (new)
		CE749-69002 (exchange)

How to use the parts lists and diagrams

△ **CAUTION:** Be sure to order the correct part. When looking for part numbers for electrical components, pay careful attention to the voltage that is listed. Doing so will make sure that the part number selected is for the correct model.

📄 **NOTE:** In this manual, the abbreviation “PCA” stands for “printed circuit-board assembly.” Components described as a PCA might consist of a single circuit board or a circuit board plus other parts, such as cables and sensors.

The figures in this chapter show the major subassemblies in the product and their component parts. A parts list table follows each exploded view assembly diagram. Each table lists the item number, the associated part number, and the description of each part. If a part is not listed in the table, then it is not a field replacement unit (FRU).

Assembly locations

Base product (no optional trays or accessories)

Figure 4-1 Base product (no optional trays or accessories)

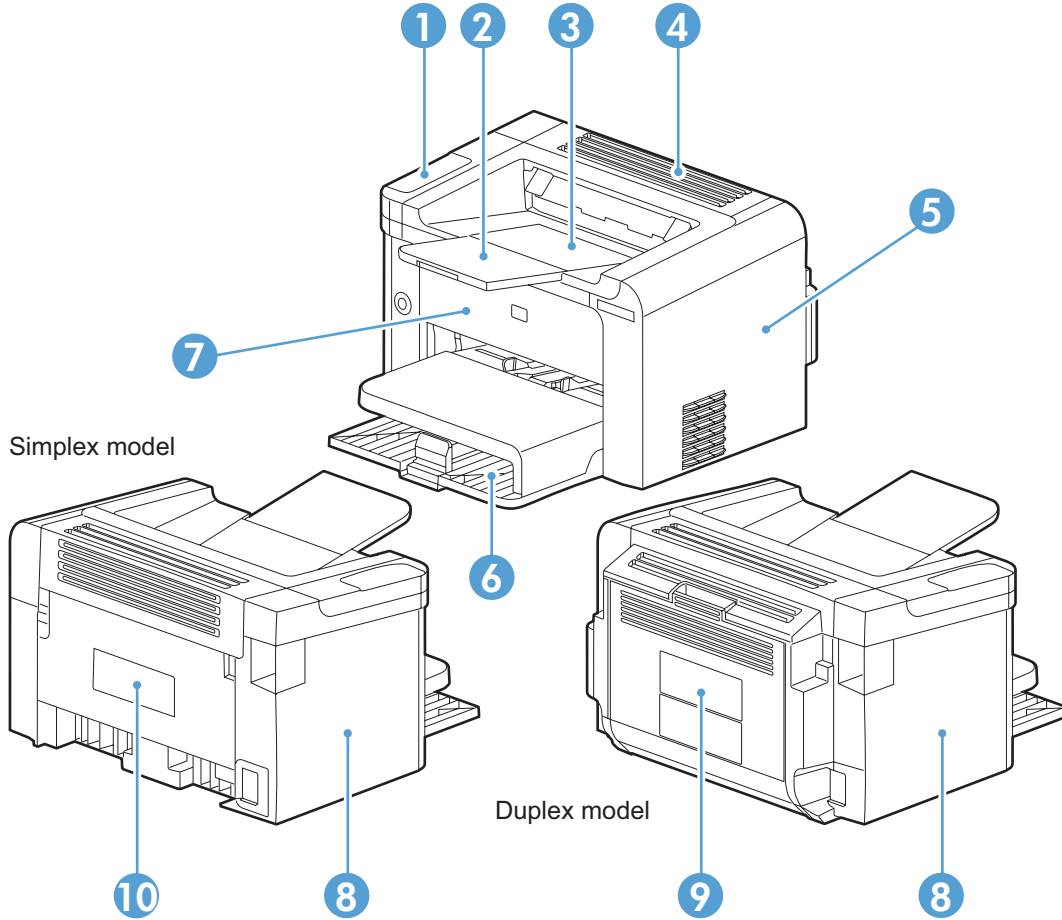


Table 4-6 Base product

Item	Description	Item	Description
1	Control panel	6	Main-input tray
2	Output bin tray extension	7	Front cover
3	Print-cartridge door	8	Left cover
4	Face-down cover	9	Duplex door (duplex models only)
5	Right cover	10	Rear cover (simplex models only)

Covers

Simplex model

Figure 4-2 Simplex model

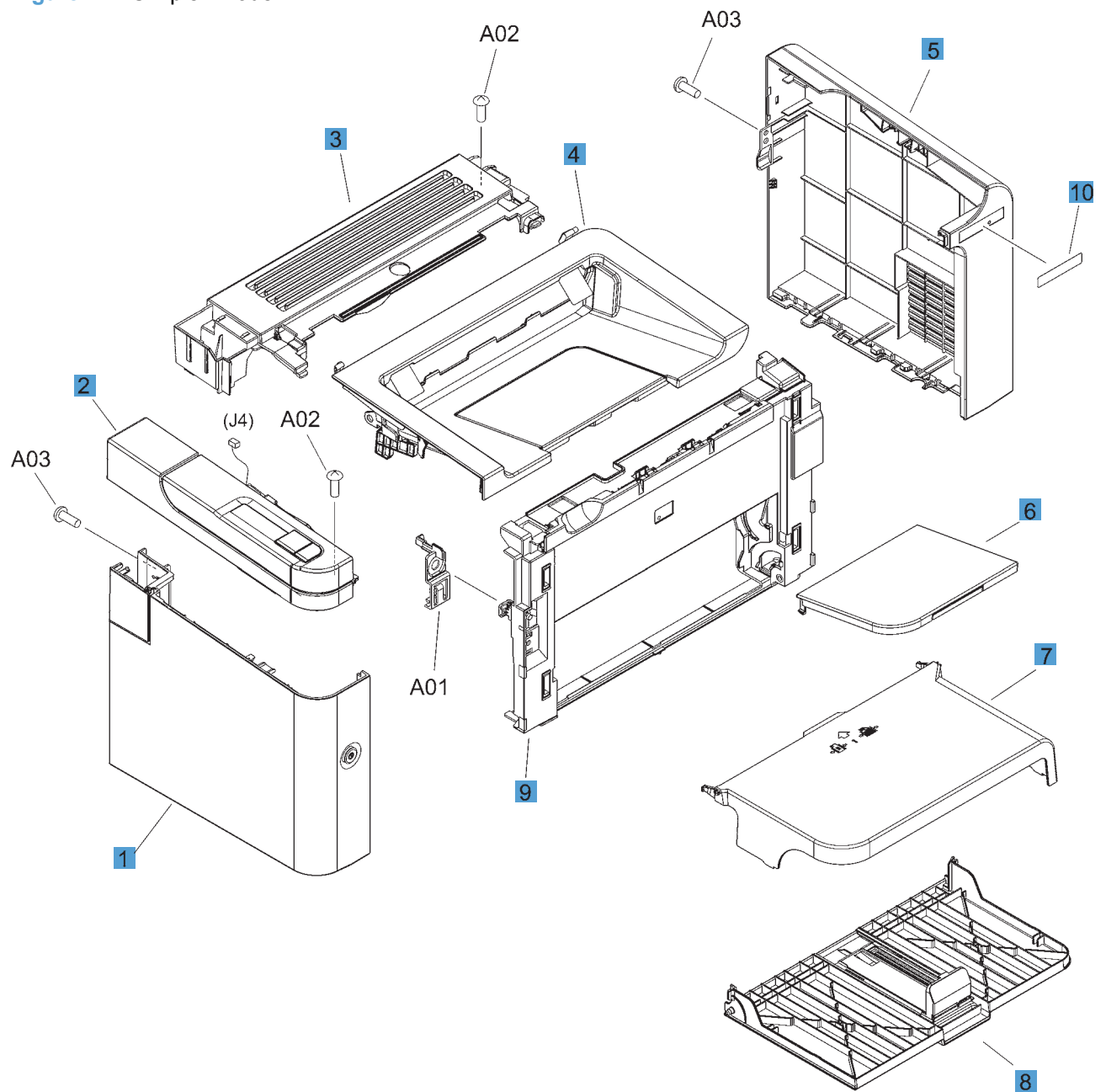


Table 4-7 Simplex model

Ref	Description	Part number	Qty
1	Left cover	RM1-7533-000CN	1
2	Control-panel assembly	RM1-7530-000CN	1
3	Cover, face-down	RC2-9464-000CN	1
4	Cartridge door	RM1-7528-000CN	1
5	Cover, right	RC2-9462-000CN	1
6	Paper delivery tray	RM1-7499-000CN	1
7	Cover, dust	RC2-9582-000CN	1
8	Paper pickup tray	RM1-7535-000CN	1
9	Cover, front	RL1-2871-000CN	1
10	Plate, name	RC3-0623-000CN	1

Duplex model

Figure 4-3 Duplex model

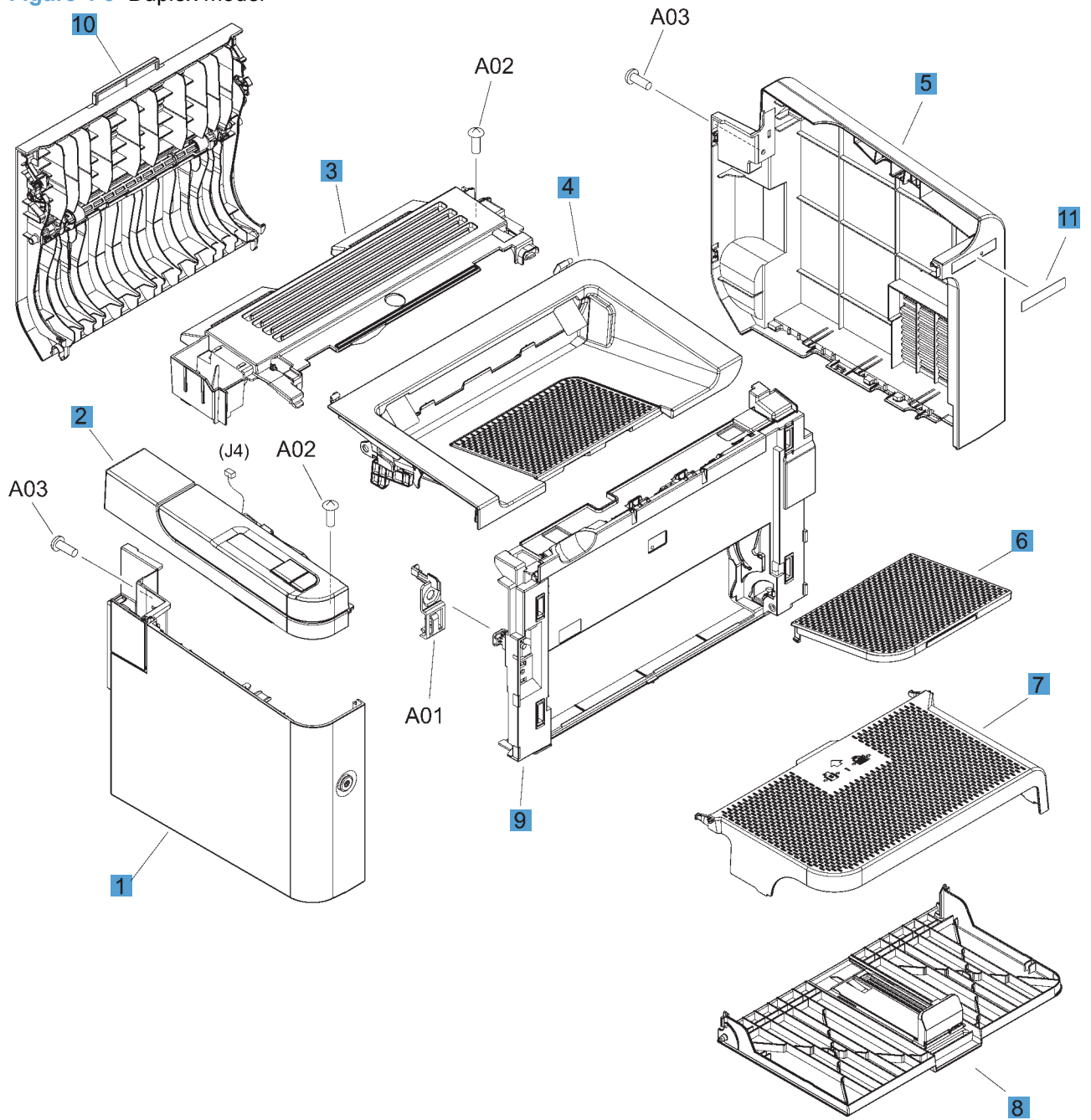


Table 4-8 Duplex model

Ref	Description	Part number	Qty
1	Left cover	RM1-7532-000CN	1
2	Control-panel assembly	RM1-7529-000CN	1
3	Cover, face-down	RC2-9436-000CN	1
4	Cartridge door	RM1-7527-000CN	1
5	Cover, right	RC2-9458-000CN	1
6	Paper delivery tray	RM1-7498-000CN	1
7	Cover, dust	RC2-9578-000CN	1
8	Paper pickup tray	RM1-7534-000CN	1
9	Cover, front	RL1-2870-000CN	1
10	Duplexing door assembly	RM1-7526-000CN	1
11	Plate, name	RC3-0622-000CN	1

Internal assemblies

Internal assemblies (1 of 3)

Figure 4-4 Internal assemblies (1 of 3)

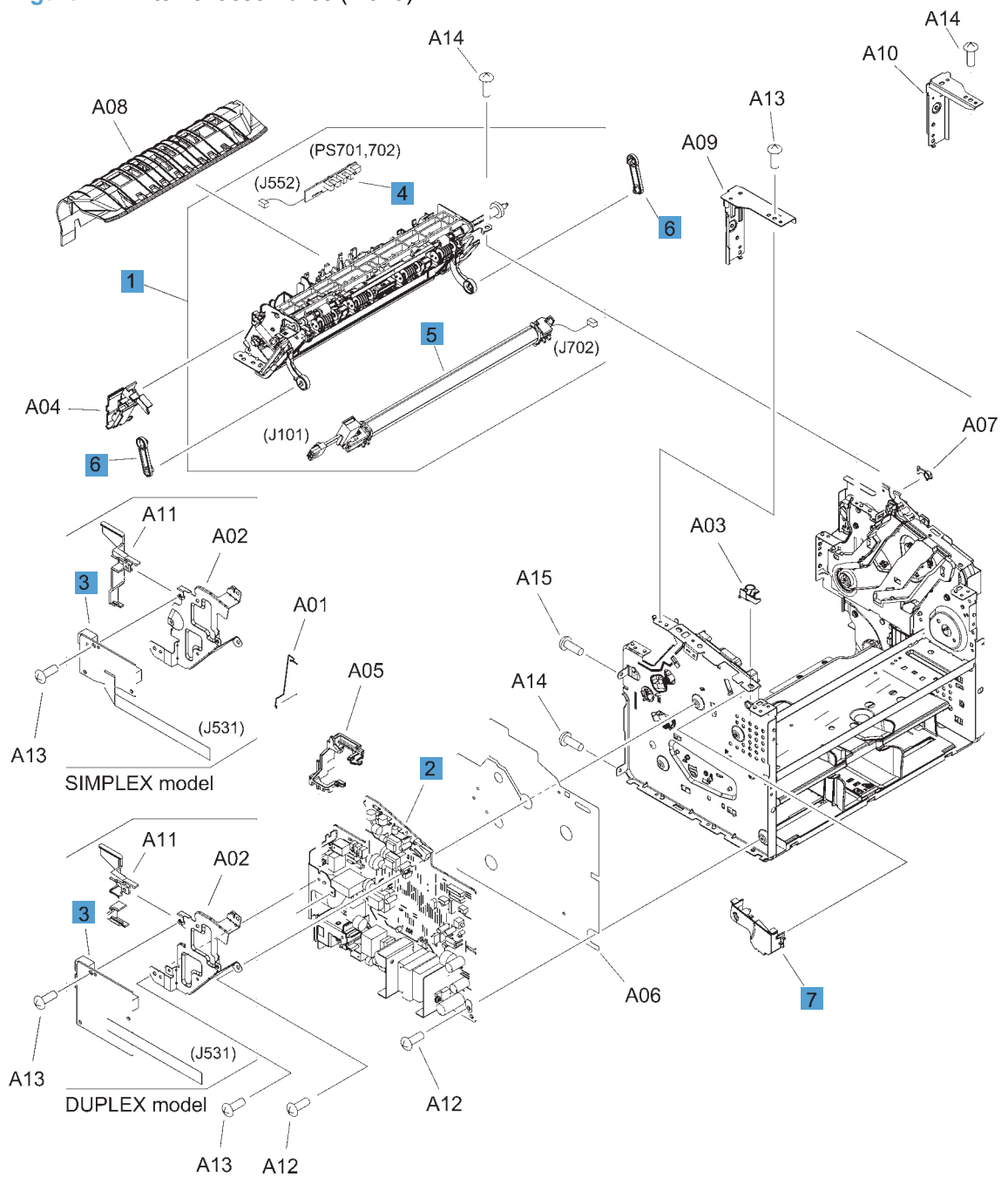


Table 4-9 Internal assemblies (1 of 3)

Ref	Description	Part number	Qty
1	Fuser assembly (110 V)	RM1-7546-000CN	1
1	Fuser assembly (220 V)	RM1-7547-000CN	1
2	Engine controller PCA (110 V)	RM1-7615-000CN	1
2	Engine controller PCA (220 V)	RM1-7616-000CN	1
3	Formatter PCA, simplex model	RM1-7622-000CN	1
3	Formatter PCA, duplex model	RM1-7623-000CN	1
4	Delivery sensor PCA assembly	RM1-7440-000CN	1
5	Fuser film assembly (110 V)	RM1-7541-000CN	1
5	Fuser film assembly (220 V)	RM1-7542-000CN	1
6	Link, pressure release	RC2-9512-000CN	2
7	Switch lever assembly	RM1-7531-000CN	1

Internal assemblies (2 of 3)

Figure 4-5 Internal assemblies (2 of 3)

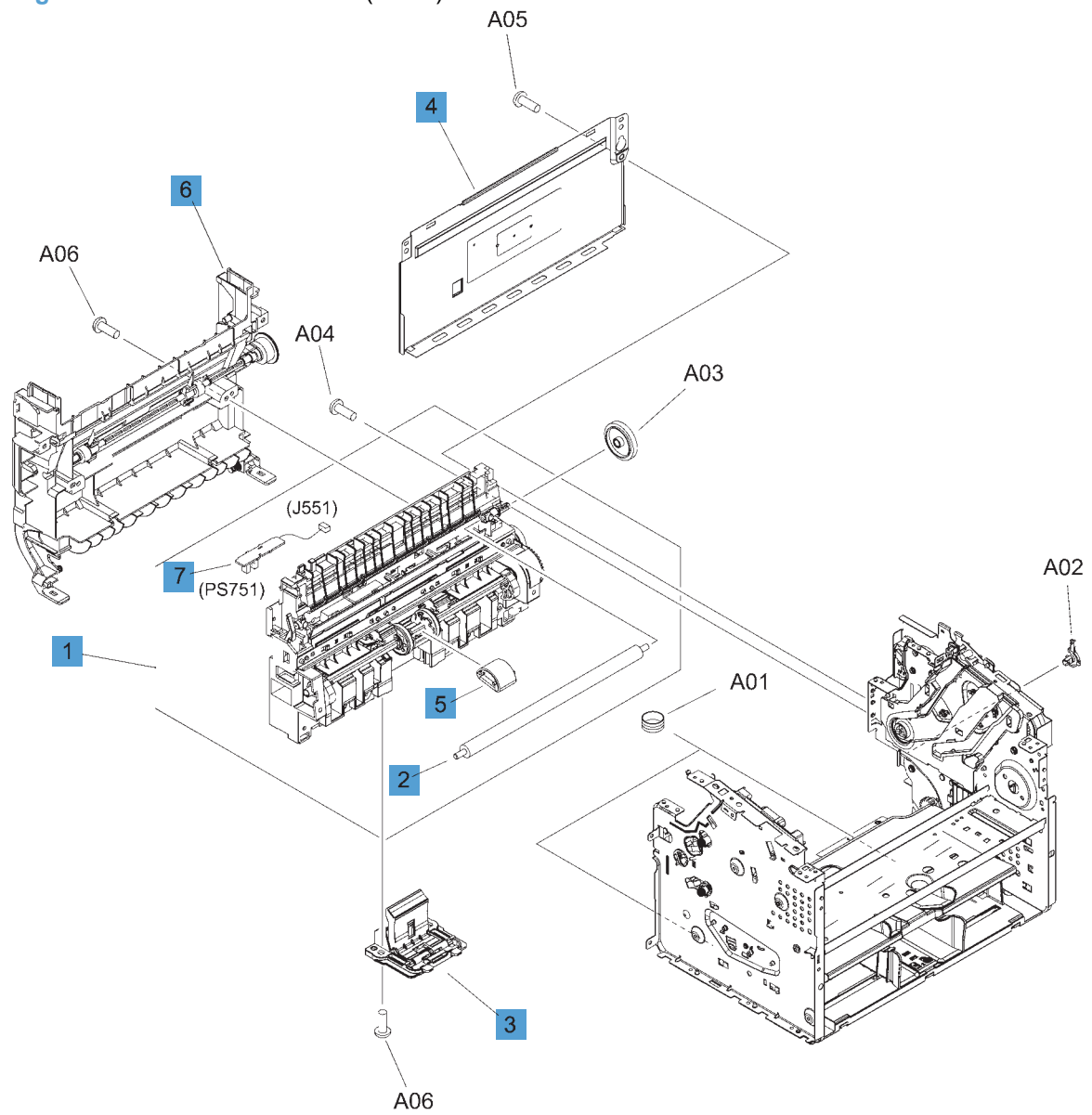


Table 4-10 Internal assemblies (2 of 3)

Ref	Description	Part number	Qty
1	Paper pickup assembly, simplex model	RM1-7517-000CN	1
1	Paper pickup assembly, duplex model	RM1-7516-000CN	1
2	Transfer roller	RM1-4023-000CN	1
3	Separation pad	RM1-4227-000CN	1
4	Panel, rear, simplex model	RC2-9583-000CN	1
5	Roller, pickup	RL1-1497-000CN	1
6	Duplex frame assembly, duplex model	RM1-7525-000CN	1
7	Paper pickup sensor PCA assembly	RM1-7618-000CN	1

Internal assemblies (3 of 3)

Figure 4-6 Internal assemblies (3 of 3)

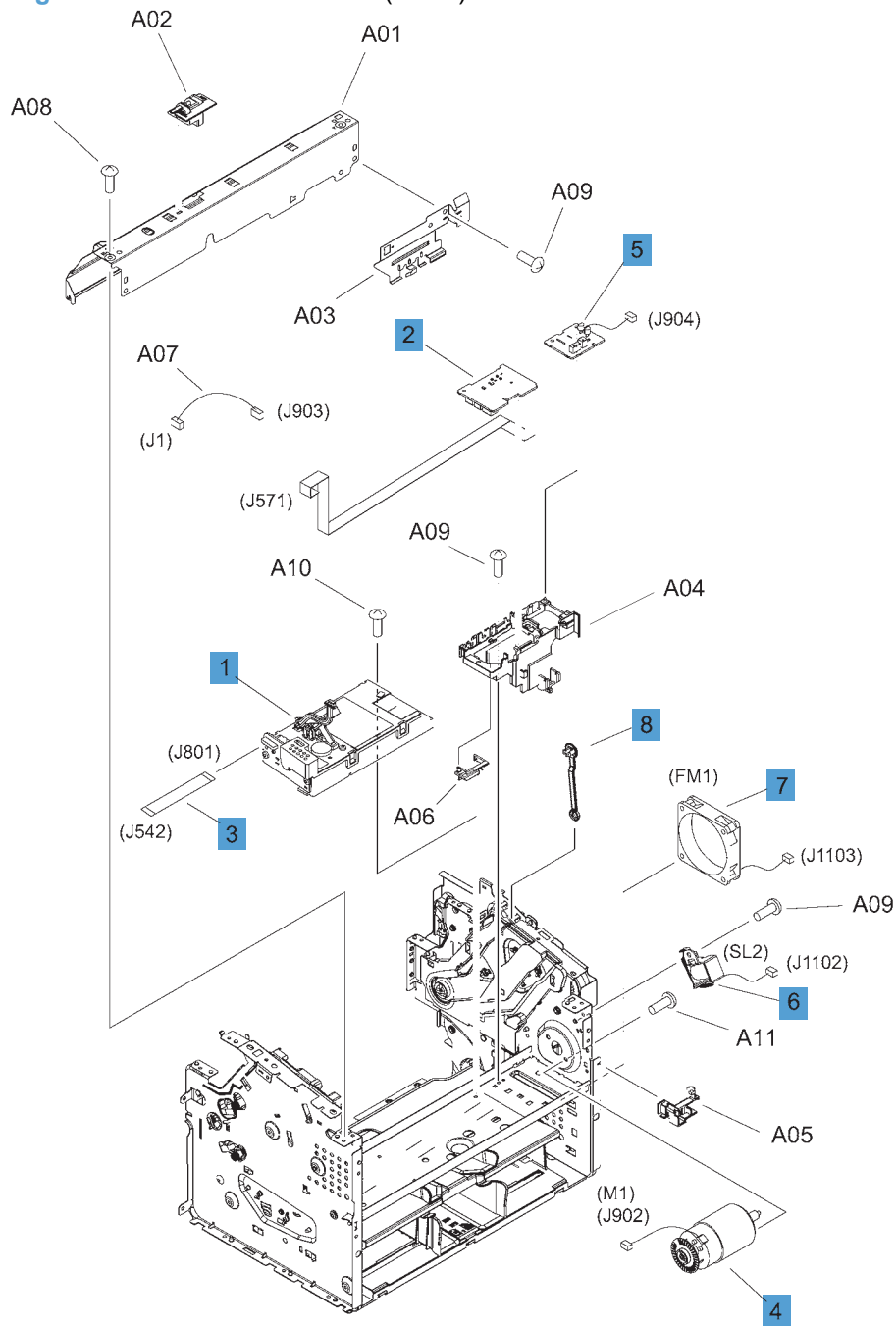


Table 4-11 Internal assemblies (3 of 3)

Ref	Description	Part number	Qty
1	Laser/scanner assembly, simplex model	RM1-7561-000CN	1
1	Laser/scanner assembly, duplex model	RM1-7560-000CN	1
2	Motor PCA	RM1-7619-000CN	1
3	Cable, flat	RM1-7739-000CN	1
4	Motor, DC24V	RM1-7544-000CN	1
5	Duplex PCA, duplex model	RM1-7620-000CN	1
6	Solenoid, duplex model	RK2-0420-000CN	1
7	Fan, duplex model	RK2-3238-000CN	1
8	Link, cartridge door	RC2-9425-000CN	1

PCAs

Figure 4-7 PCAs

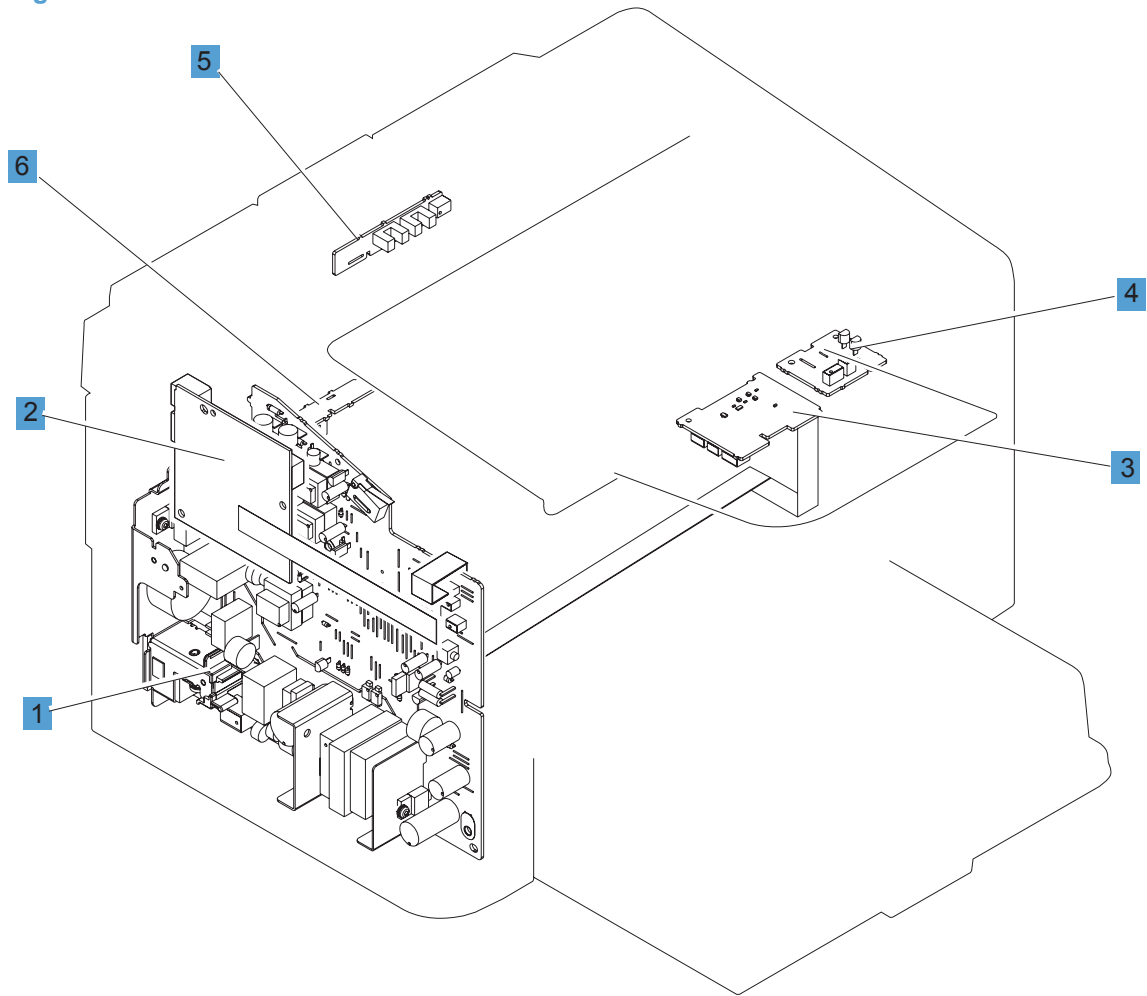


Table 4-12 PCAs

Ref	Description	Part number	Qty
1	Engine controller PCA (110 V)	RM1-7615-000CN	1
1	Engine controller PCA (220 V)	RM1-7616-000CN	1
2	Formatter PCA, simplex model	RM1-7622-000CN	1
2	Formatter PCA, duplex model	RM1-7623-000CN	1
3	Motor, DC24V	RM1-7502-000CN	1
4	Duplex PCA, duplex model	RM1-7620-000CN	1
5	Delivery sensor PCA assembly	RM1-7440-000CN	1
6	Paper pickup sensor PCA assembly	RM1-7618-000CN	1

Alphabetical parts list

Table 4-13 Alphabetical parts list

Description	Part number	Table and page
Cable, flat	RM1-7739-000CN	Internal assemblies (3 of 3) on page 173
Cartridge door	RM1-7528-000CN	Simplex model on page 165
Cartridge door	RM1-7527-000CN	Duplex model on page 167
Control-panel assembly	RM1-7530-000CN	Simplex model on page 165
Control-panel assembly	RM1-7529-000CN	Duplex model on page 167
Cover, dust	RC2-9582-000CN	Simplex model on page 165
Cover, dust	RC2-9578-000CN	Duplex model on page 167
Cover, face-down	RC2-9464-000CN	Simplex model on page 165
Cover, face-down	RC2-9436-000CN	Duplex model on page 167
Cover, front	RL1-2871-000CN	Simplex model on page 165
Cover, front	RL1-2870-000CN	Duplex model on page 167
Cover, right	RC2-9462-000CN	Simplex model on page 165
Cover, right	RC2-9458-000CN	Duplex model on page 167
Delivery sensor PCA assembly	RM1-7440-000CN	Internal assemblies (1 of 3) on page 169
Delivery sensor PCA assembly	RM1-7440-000CN	PCAs on page 175
Duplex frame assembly, duplex model	RM1-7525-000CN	Internal assemblies (2 of 3) on page 171
Duplex PCA, duplex model	RM1-7620-000CN	Internal assemblies (3 of 3) on page 173
Duplex PCA, duplex model	RM1-7620-000CN	PCAs on page 175
Duplexing door assembly	RM1-7526-000CN	Duplex model on page 167
Engine controller PCA (110 V)	RM1-7615-000CN	Internal assemblies (1 of 3) on page 169
Engine controller PCA (110 V)	RM1-7615-000CN	PCAs on page 175
Engine controller PCA (220 V)	RM1-7616-000CN	Internal assemblies (1 of 3) on page 169
Engine controller PCA (220 V)	RM1-7616-000CN	PCAs on page 175
Fan, duplex model	RK2-3238-000CN	Internal assemblies (3 of 3) on page 173
Formatter PCA, duplex model	RM1-7623-000CN	Internal assemblies (1 of 3) on page 169
Formatter PCA, duplex model	RM1-7623-000CN	PCAs on page 175
Formatter PCA, simplex model	RM1-7622-000CN	Internal assemblies (1 of 3) on page 169

Table 4-13 Alphabetical parts list (continued)

Description	Part number	Table and page
Formatter PCA, simplex model	RM1-7622-000CN	PCAs on page 175
Fuser assembly (110 V)	RM1-7546-000CN	Internal assemblies (1 of 3) on page 169
Fuser assembly (220 V)	RM1-7547-000CN	Internal assemblies (1 of 3) on page 169
Fuser film assembly (110 V)	RM1-7541-000CN	Internal assemblies (1 of 3) on page 169
Fuser film assembly (220 V)	RM1-7542-000CN	Internal assemblies (1 of 3) on page 169
Laser/scanner assembly, duplex model	RM1-7560-000CN	Internal assemblies (3 of 3) on page 173
Laser/scanner assembly, simplex model	RM1-7561-000CN	Internal assemblies (3 of 3) on page 173
Left cover	RM1-7533-000CN	Simplex model on page 165
Left cover	RM1-7532-000CN	Duplex model on page 167
Link, cartridge door	RC2-9425-000CN	Internal assemblies (3 of 3) on page 173
Link, pressure release	RC2-9512-000CN	Internal assemblies (1 of 3) on page 169
Motor PCA	RM1-7619-000CN	Internal assemblies (3 of 3) on page 173
Motor, DC24V	RM1-7544-000CN	Internal assemblies (3 of 3) on page 173
Motor, DC24V	RM1-7502-000CN	PCAs on page 175
Panel, rear, simplex model	RC2-9583-000CN	Internal assemblies (2 of 3) on page 171
Paper delivery tray	RM1-7499-000CN	Simplex model on page 165
Paper delivery tray	RM1-7498-000CN	Duplex model on page 167
Paper pickup assembly, duplex model	RM1-7516-000CN	Internal assemblies (2 of 3) on page 171
Paper pickup assembly, simplex model	RM1-7517-000CN	Internal assemblies (2 of 3) on page 171
Paper pickup sensor PCA assembly	RM1-7618-000CN	Internal assemblies (2 of 3) on page 171
Paper pickup sensor PCA assembly	RM1-7618-000CN	PCAs on page 175
Paper pickup tray	RM1-7535-000CN	Simplex model on page 165
Paper pickup tray	RM1-7534-000CN	Duplex model on page 167
Plate, name	RC3-0623-000CN	Simplex model on page 165
Plate, name	RC3-0622-000CN	Duplex model on page 167
Roller, pickup	RL1-1497-000CN	Internal assemblies (2 of 3) on page 171

Table 4-13 Alphabetical parts list (continued)

Description	Part number	Table and page
Separation pad	RM1-4227-000CN	Internal assemblies (2 of 3) on page 171
Solenoid, duplex model	RK2-0420-000CN	Internal assemblies (3 of 3) on page 173
Switch lever assembly	RM1-7531-000CN	Internal assemblies (1 of 3) on page 169
Transfer roller	RM1-4023-000CN	Internal assemblies (2 of 3) on page 171

Numerical parts list

Table 4-14 Numerical parts list

Part number	Description	Table and page
RC2-9425-000CN	Link, cartridge door	Internal assemblies (3 of 3) on page 173
RC2-9436-000CN	Cover, face-down	Duplex model on page 167
RC2-9458-000CN	Cover, right	Duplex model on page 167
RC2-9462-000CN	Cover, right	Simplex model on page 165
RC2-9464-000CN	Cover, face-down	Simplex model on page 165
RC2-9512-000CN	Link, pressure release	Internal assemblies (1 of 3) on page 169
RC2-9578-000CN	Cover, dust	Duplex model on page 167
RC2-9582-000CN	Cover, dust	Simplex model on page 165
RC2-9583-000CN	Panel, rear, simplex model	Internal assemblies (2 of 3) on page 171
RC3-0622-000CN	Plate, name	Duplex model on page 167
RC3-0623-000CN	Plate, name	Simplex model on page 165
RK2-0420-000CN	Solenoid, duplex model	Internal assemblies (3 of 3) on page 173
RK2-3238-000CN	Fan, duplex model	Internal assemblies (3 of 3) on page 173
RL1-1497-000CN	Roller, pickup	Internal assemblies (2 of 3) on page 171
RL1-2870-000CN	Cover, front	Duplex model on page 167
RL1-2871-000CN	Cover, front	Simplex model on page 165
RM1-4023-000CN	Transfer roller	Internal assemblies (2 of 3) on page 171
RM1-4227-000CN	Separation pad	Internal assemblies (2 of 3) on page 171
RM1-7440-000CN	Delivery sensor PCA assembly	Internal assemblies (1 of 3) on page 169
RM1-7440-000CN	Delivery sensor PCA assembly	PCAs on page 175
RM1-7498-000CN	Paper delivery tray	Duplex model on page 167
RM1-7499-000CN	Paper delivery tray	Simplex model on page 165
RM1-7502-000CN	Motor, DC24V	PCAs on page 175
RM1-7516-000CN	Paper pickup assembly, duplex model	Internal assemblies (2 of 3) on page 171
RM1-7517-000CN	Paper pickup assembly, simplex model	Internal assemblies (2 of 3) on page 171

Table 4-14 Numerical parts list (continued)

Part number	Description	Table and page
RM1-7525-000CN	Duplex frame assembly, duplex model	Internal assemblies (2 of 3) on page 171
RM1-7526-000CN	Duplexing door assembly	Duplex model on page 167
RM1-7527-000CN	Cartridge door	Duplex model on page 167
RM1-7528-000CN	Cartridge door	Simplex model on page 165
RM1-7529-000CN	Control-panel assembly	Duplex model on page 167
RM1-7530-000CN	Control-panel assembly	Simplex model on page 165
RM1-7531-000CN	Switch lever assembly	Internal assemblies (1 of 3) on page 169
RM1-7532-000CN	Left cover	Duplex model on page 167
RM1-7533-000CN	Left cover	Simplex model on page 165
RM1-7534-000CN	Paper pickup tray	Duplex model on page 167
RM1-7535-000CN	Paper pickup tray	Simplex model on page 165
RM1-7541-000CN	Fuser film assembly (110 V)	Internal assemblies (1 of 3) on page 169
RM1-7542-000CN	Fuser film assembly (220 V)	Internal assemblies (1 of 3) on page 169
RM1-7544-000CN	Motor, DC24V	Internal assemblies (3 of 3) on page 173
RM1-7546-000CN	Fuser assembly (110 V)	Internal assemblies (1 of 3) on page 169
RM1-7547-000CN	Fuser assembly (220 V)	Internal assemblies (1 of 3) on page 169
RM1-7560-000CN	Laser/scanner assembly, duplex model	Internal assemblies (3 of 3) on page 173
RM1-7561-000CN	Laser/scanner assembly, simplex model	Internal assemblies (3 of 3) on page 173
RM1-7615-000CN	Engine controller PCA (110 V)	Internal assemblies (1 of 3) on page 169
RM1-7615-000CN	Engine controller PCA (110 V)	PCAs on page 175
RM1-7616-000CN	Engine controller PCA (220 V)	Internal assemblies (1 of 3) on page 169
RM1-7616-000CN	Engine controller PCA (220 V)	PCAs on page 175
RM1-7618-000CN	Paper pickup sensor PCA assembly	Internal assemblies (2 of 3) on page 171
RM1-7618-000CN	Paper pickup sensor PCA assembly	PCAs on page 175
RM1-7619-000CN	Motor PCA	Internal assemblies (3 of 3) on page 173
RM1-7620-000CN	Duplex PCA, duplex model	Internal assemblies (3 of 3) on page 173

Table 4-14 Numerical parts list (continued)

Part number	Description	Table and page
RM1-7620-000CN	Duplex PCA, duplex model	PCAs on page 175
RM1-7622-000CN	Formatter PCA, simplex model	Internal assemblies (1 of 3) on page 169
RM1-7622-000CN	Formatter PCA, simplex model	PCAs on page 175
RM1-7623-000CN	Formatter PCA, duplex model	Internal assemblies (1 of 3) on page 169
RM1-7623-000CN	Formatter PCA, duplex model	PCAs on page 175
RM1-7739-000CN	Cable, flat	Internal assemblies (3 of 3) on page 173

