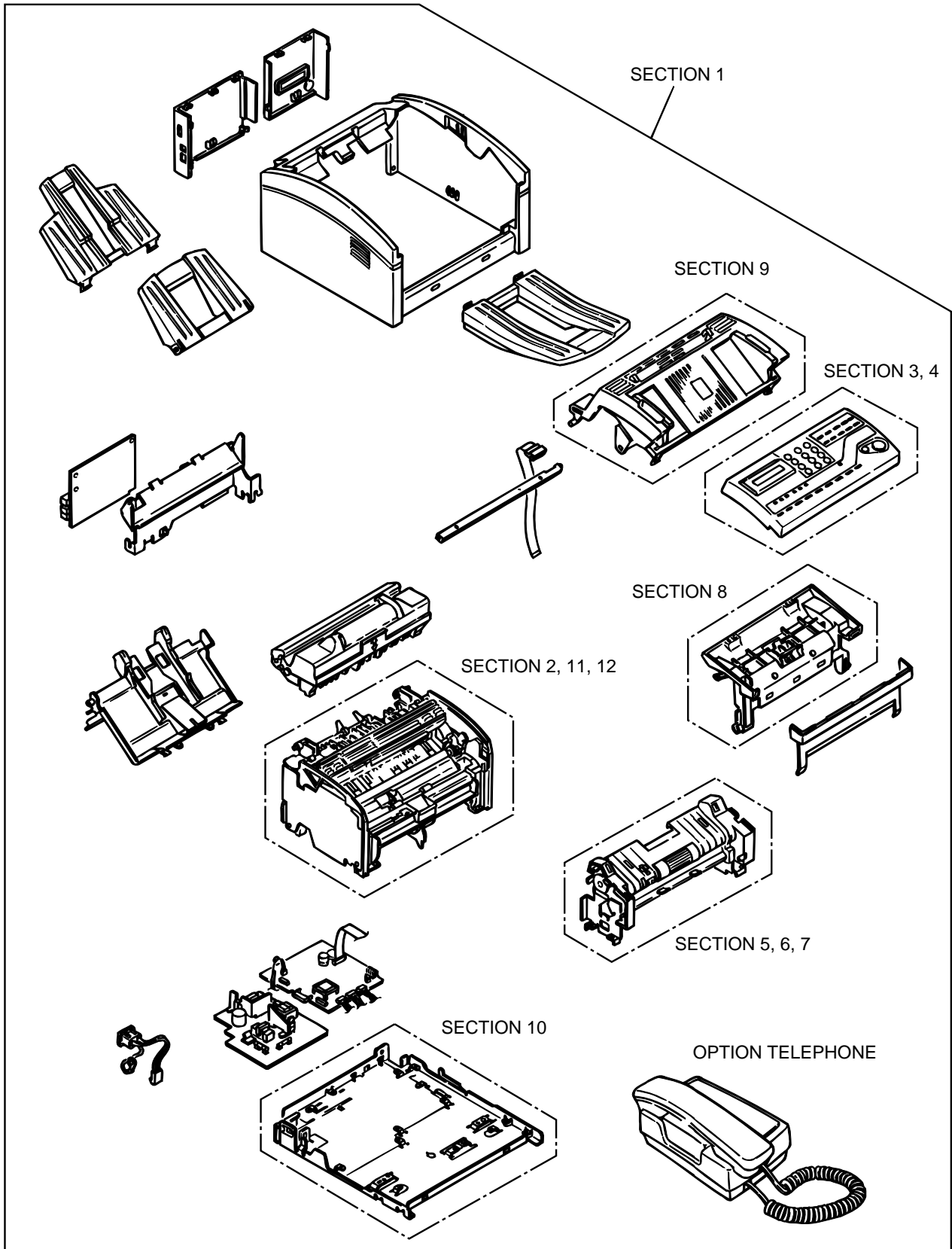
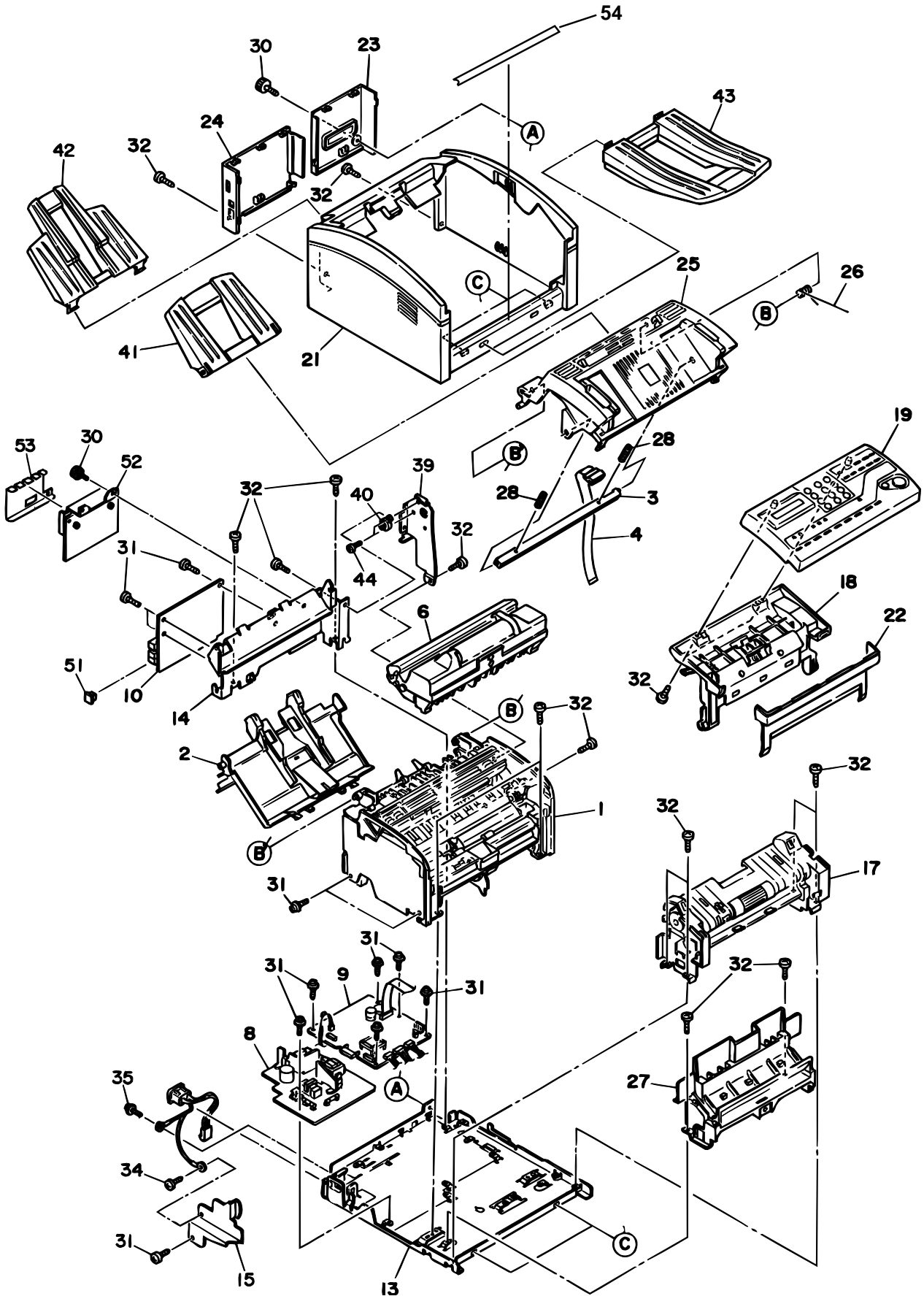


OKIOFFICE44/OKIFAX4100 ASSEMBLY



SECTION 1 CABINET ASSEMBLY (FAX NIP-FX048)



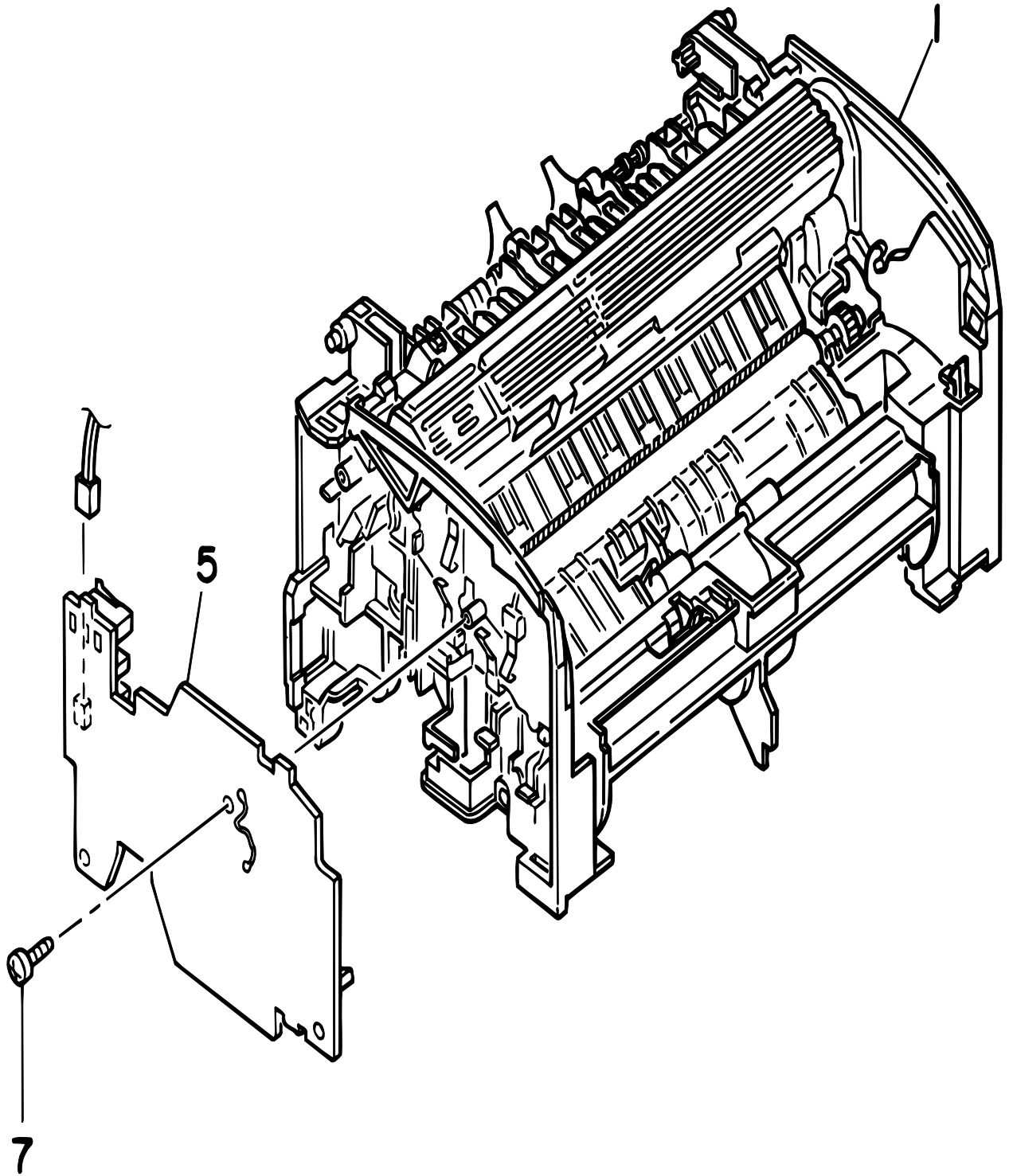
Section 1 CABINET ASSEMBLY (FAX NIP-FX048) 1/2

Rev.	No.	Oki parts Number	Description	Q'ty	Remarks
	1		Unit-Printer		Refer to Section 11
	2		HOLDER-ASSY		Refer to Section 11
	3	4YA4116-1228G001	LED HEAD General specification-31B	1	
	4	4YX4083-1134G001	CABLE FLAT ASSY.	1	
5	6		EP Unit Specification	1	Consumable
	8a	4YB4049-1874P001	PWR Unit-ACDC Switch (120V)	1	
	8b	4YB4049-1875P001	PWR Unit-ACDC Switch (230V)	1	
6	9a	40092201	Board-R44	1	
6	9b	40587401	Board-R45	1	VE version
	10a	40044501	Board-UNC	1	US
	10b	40044401	Board-FN5	1	UK, FRANCE
	10c	40044101	Board-DN5	1	GER
	10d	40044303	Board-WN5	1	OEL-INT
	10e	40044307	Board-WN5	1	OKI-INT
	13	40023701	Plate Assy.-Base	1	
	14	40023901	Bracket-Package	1	
	15	40236401	Plate Assy. - Shield (HV)	1	
	17	40019201	Frame Assy.-Scanner L	1	
	18	40021001	Frame Assy.-Scanner (U)	1	
	19a			1	US
	19b			1	Europe
	19c	40022703	OPE Panel Assy.	1	LANIER
	19d	40022704	OPE Panel Assy.	1	TN
	21a	40025401	Cover-Main	1	
	21b	40025402	Cover-Main	1	TN
	22a	40025301	Cover-Front	1	
	22b	40025302	Cover-Front	1	TN
	23a	40025501	Cover-Rear	1	
	23b	40025502	Cover-Rear	1	TN
	24a	40025601	Cover-NCU	1	
	24b	40025602	Cover-NCU	1	TN
	25a	40022101	Cover Assy.-Top	1	
	25b	40022102	Cover Assy.-Top	1	TN
	26	40026101	Spring-TC	1	

Section 1 CABINET ASSEMBLY (FAX NIP-FX048) 2/2

Rev.	No.	Oki parts Number	Description	Q'ty	Remarks
	27	40024001	Guide-Paper (U)	1	
	28	4PP4083-6168P001	HEAD Spring	2	
	29	40024101	Guide-Paper (L)	1	
	30	4PB4120-1136P001	Knob Screw	1	
	31		B Tapping Screw		
	32		B Tapping Screw FA		
	33		B Screw B		
	34		Screw		
	35		Screw	1	
5					
5					
	39	40140801	Bracket-Damper	1	
	40	40148201	Gear-Damper	1	
	41a	40025701	Tray-Document	1	
	41b	40025702	Tray-Document	1	TN
	42a	40025801	Tray-Paper	1	
	42b	40025802	Tray-Paper	1	TN
	43a	40375801	Stacker Assy.-Document	1	
	43b	40375802	Stacker Assy.-Document	1	TN
	44		Screw-Tapping (S-M2)		
	50	NB3201-1211P001	CARRIER SHEET	1	
	51	223A7010P0003	TM-6-DC1 Connector-Plug	1	GER, TN
6	52a	40123402	Plate Assy.-PC I/F	1	For OKIOFFICE44
6	52b	40123403	Plate Assy.-PC I/F	1	VE version
	53	4PP4120-1187P001	Plate-Earth (PCFX)	1	For OKIOFFICE44
	54	40332701	Label-Manual Slot	1	For OKIOFFICE44

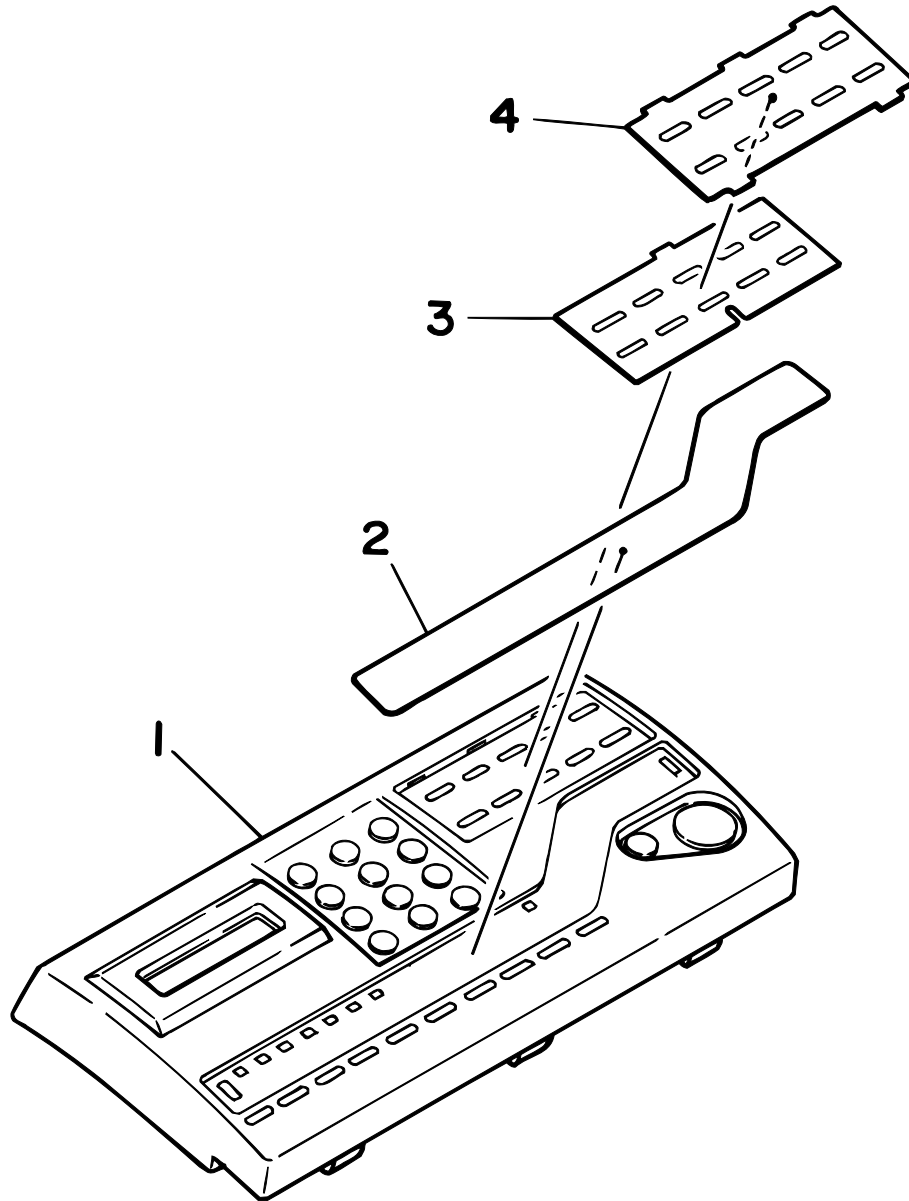
SECTION 2 UNIT-PRINTER



Section 2 UNIT-PRINTER

Rev.	No.	Oki parts Number	Description	Q'ty	Remarks
	1		Printer Unit Assembly		See Section 11
	5	4YA4130-1024G001	PCB Assembly HV	1	
	7		Screw F		

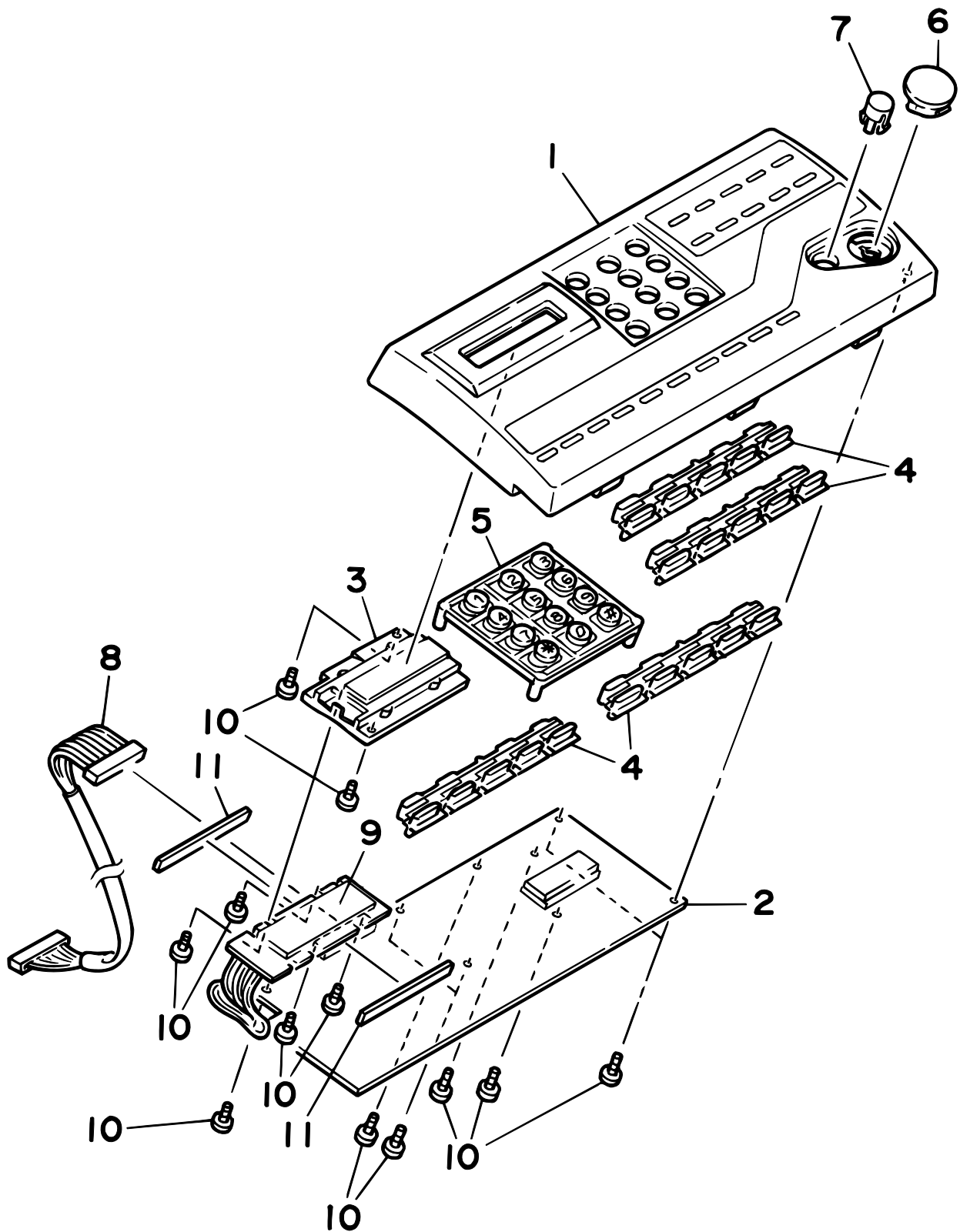
SECTION 3 UNIT-048 OPE PANEL



Section 3 UNIT-048 OPE PANEL

Rev.	No.	Oki parts Number	Description	Q'ty	Remarks
	1a	40022701	OP Panel Assy.	1	ODA/OKI-INT
	1b	40022702	OP Panel Assy.	1	OEL
	1c	40022703	OP Panel Assy.	1	LANIER
	1d	40022704	OP Panel Assy.	1	TN
	2a	40023401	Sheet-F-048	1	OEL-INT/OKI-INT
	2b	40023402	Sheet-F-048	1	UK/France
	2c	40023403	Sheet-F-048	1	GERMANY
	2d	40023404	Sheet-F-048	1	ITALY
	2e	40023405	Sheet-F-048	1	NORWAY
	2f	40023406	Sheet-F-048	1	DENMARK
	2g	40023407	Sheet-F-048	1	SWEDEN
	2h	40023408	Sheet-F-048	1	HOLAND
	2i	40023409	Sheet-F-048	1	SPAIN
	2j	40023410	Sheet-F-048	1	ODA (US/CANADA)
	2k	40023413	Sheet-F-048	1	LANIER FTZ
	2l	40023414	Sheet-F-048	1	TN
6	2m	40023430	Sheet-F-048	1	CHN
6	2n	40023431	Sheet-F-048	1	S/R
	3a	40023501	Sheet-O-048	1	ODA/OEL-INT/OKI-INT
	3b	40023502	Sheet-O-048	1	UK/France
	3c	40023503	Sheet-O-048	1	GERMANY, FTZ
	3d	40023504	Sheet-O-048	1	ITALY
	3e	40023505	Sheet-O-048	1	NORWAY
	3f	40023506	Sheet-O-048	1	DENMARK
	3g	40023507	Sheet-O-048	1	SWEDEN
	3h	40023508	Sheet-O-048	1	HOLAND
	3i	40023509	Sheet-O-048	1	SPAIN
	3j	40023510	Sheet-O-048	1	TN
6	3k	40023520	Sheet-O-048	1	CHN
6	3l	40023521	Sheet-O-048	1	S/R
	4	40023601	Sheet-Cover	1	

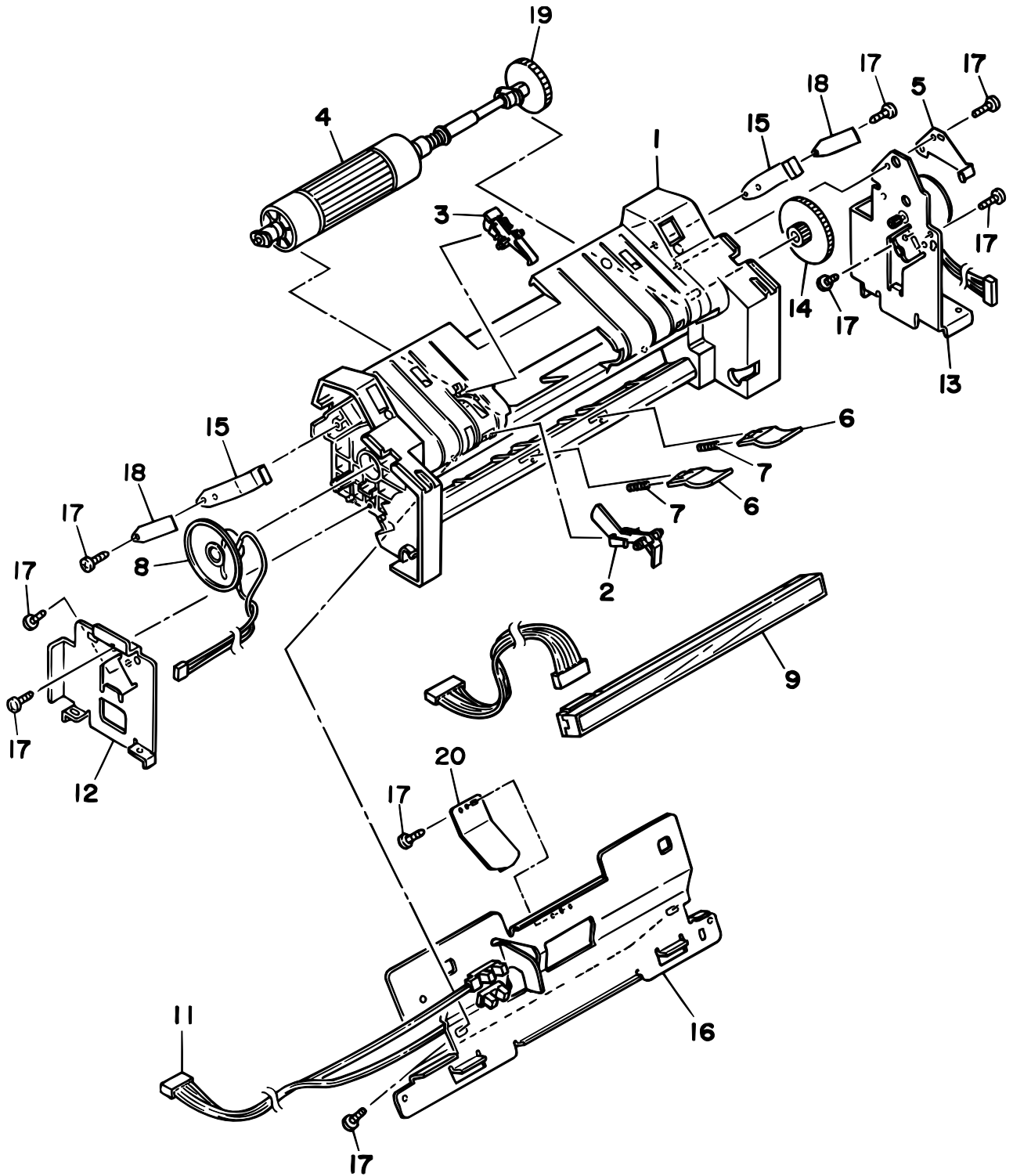
SECTION 4 OPEPANEL (OPERATION PANEL) ASSEMBLY



Section 4 OPE PANEL ASSEMBLY

Rev.	No.	Oki parts Number	Description	Q'ty	Remarks
	1		Case-OPE(T)		
	2	40086701	Board-04W	1	
	3		Holder-LCD		
3	4		Button-Function		
	5		Ten Key (Round)		
6	6a	40023201	Button-Start	1	OKI, TN
	6b	40023202	Button-Start	1	LANIER
6	7a	40023301	Button-Stop	1	OKI, TN
	7b	40023302	Button-Stop	1	LANIER
	9	4YB4134-1009P001	LCD	1	
	10		B SCREW A		
	11	4PB4120-1113P001	Rubber Connector	2	

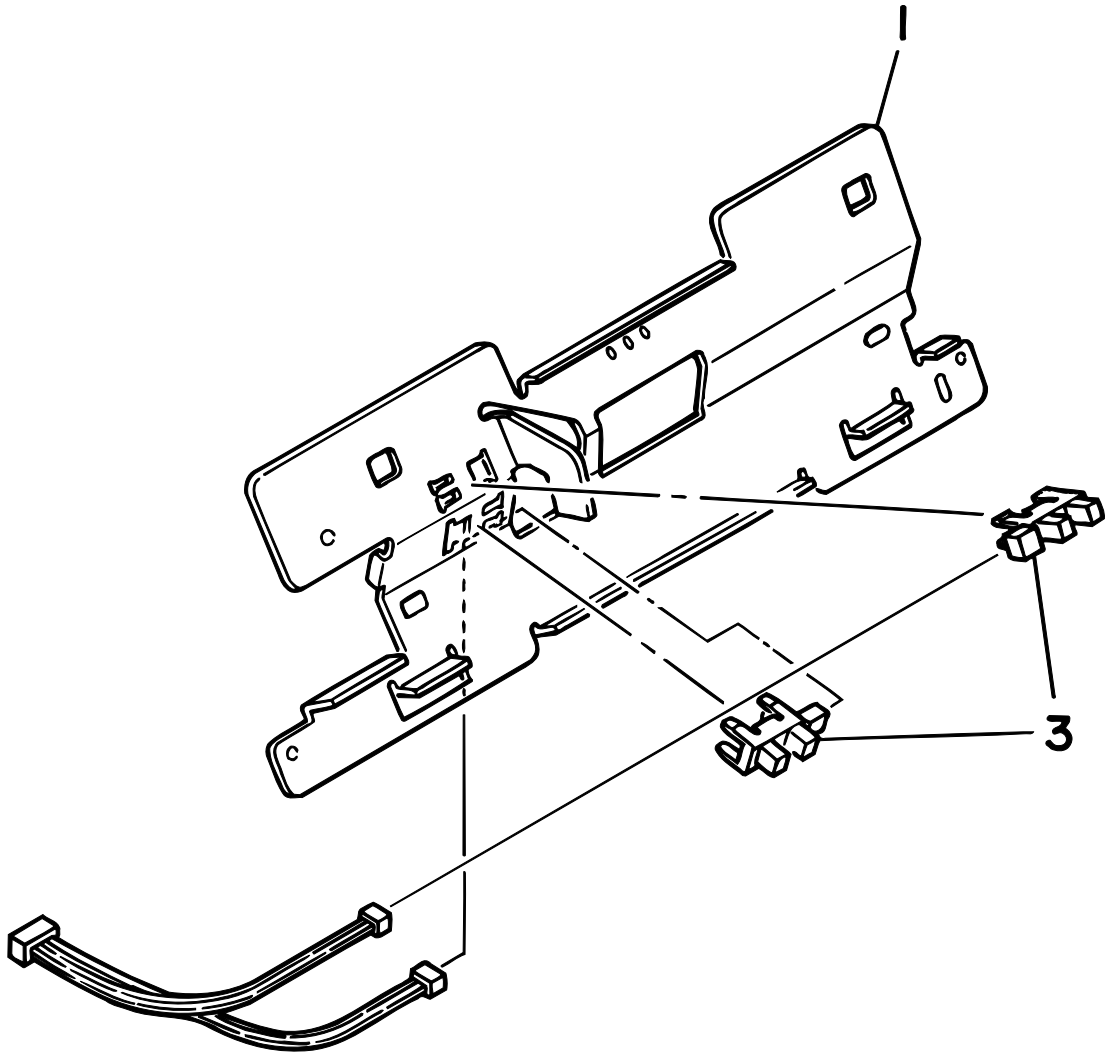
SECTION 5 FRAME ASSEMBLY-SCANNER (L)



Section 5 FRAME ASSEMBLY-SCANNER L

Rev.	No.	Oki parts Number	Description	Q'ty	Remarks
	1		Frame-Scanner (L)		
	2	40019401	Lever-PC1	1	
	3	40019501	Lever-PC2	1	
	4	40019601	Roller Assy.-ADF	1	
	5	40020201	Plate-Earth ADF	1	
	6	40020601	Piece-Exit	2	
	7	40020701	Spring-Exit	2	
	8	40127501	CONN Cord-Speaker	1	
	9	4YB4120-1121P001	CONTACT IMAGE SENSOR-A4	1	
	12		Plate-Scanner (L)		
	13		Plate Assy.-Scanner (R)		
	14	40020301	Gear-Z95/14	1	
	15	40020501	Spring-Latch	2	
	16		Plate Assy.-Scanner (B)		
3	17		B Screw FA		
3	18	40153801	Spring-Reinforcement	2	
	19	40025201	Gear-Z38	1	
	20	40024501	Spring-CIS	1	

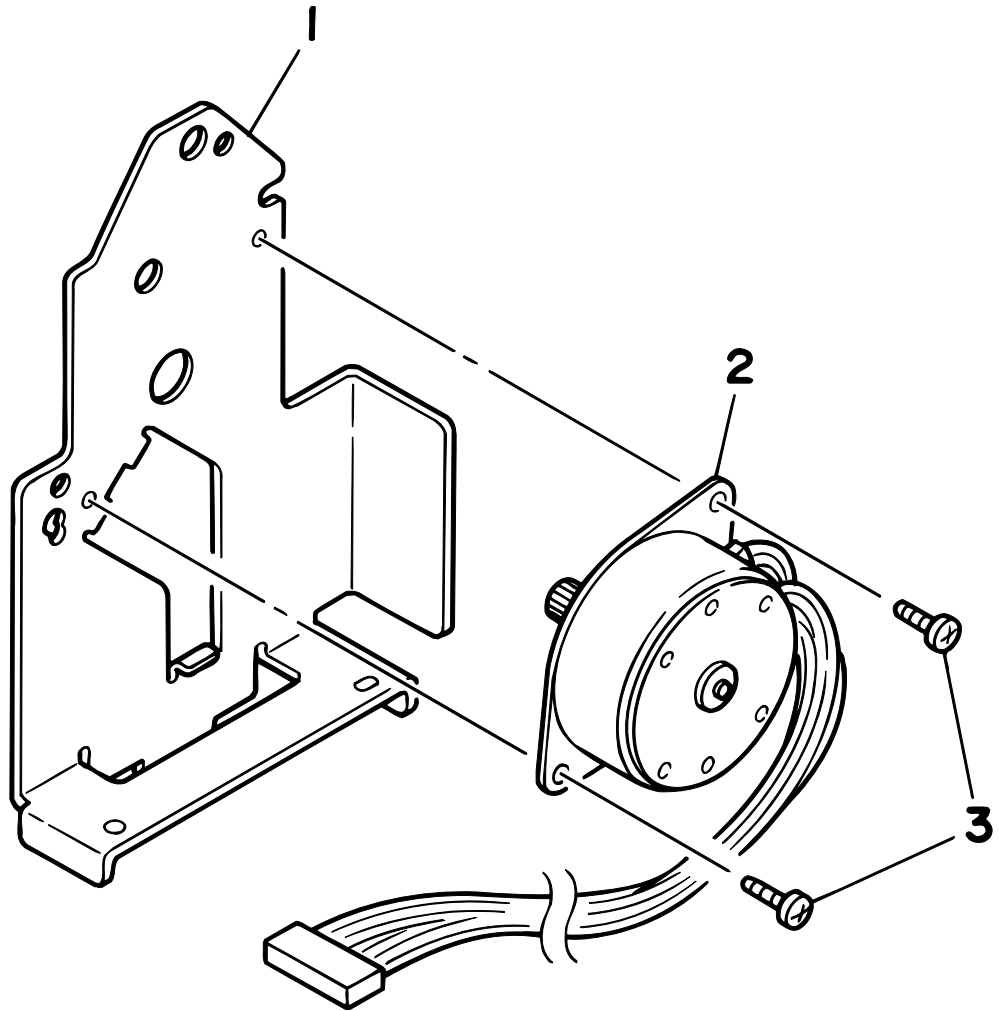
SECTION 6 PLATE ASSEMBLY-SCANNER (B)



Section 6 PLATE ASSEMBLY-SCANNER (B)

Rev.	No.	Oki parts Number	Description	Q'ty	Remarks
	1		Plate-Scanner (B)		
	3	4YB4120-1137P001	PHOTO SENSOR	2	

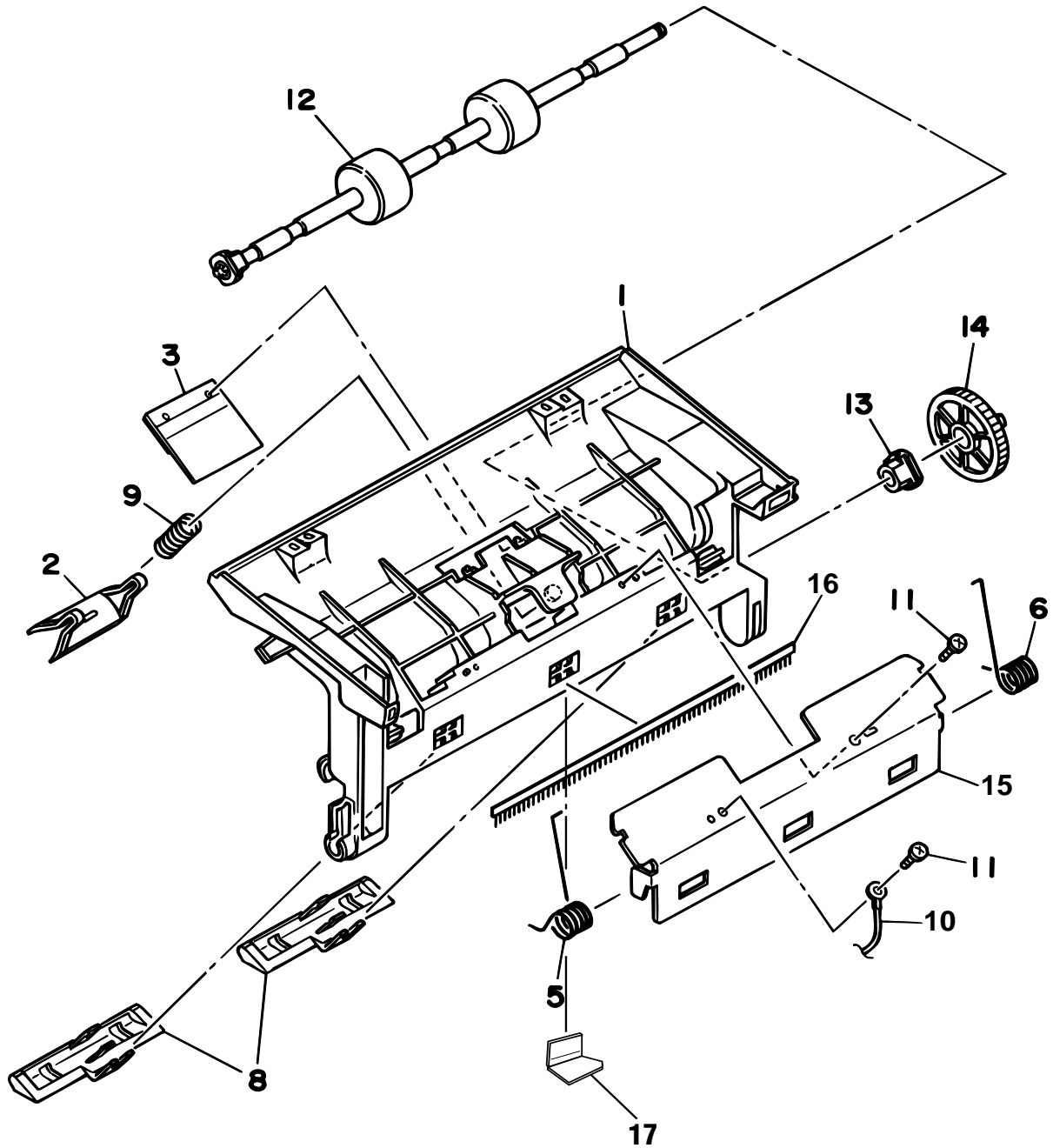
SECTION 7 PLATE ASSEMBLY-SCANNER (R)



Section 7 PLATE ASSEMBLY-SCANNER (R)

Rev.	No.	Oki parts Number	Description	Q'ty	Remarks
	1		Plate-Scanner (R)		
	2	40084301	Motor-S (FX-048)	1	
	3		B SCREW FA		

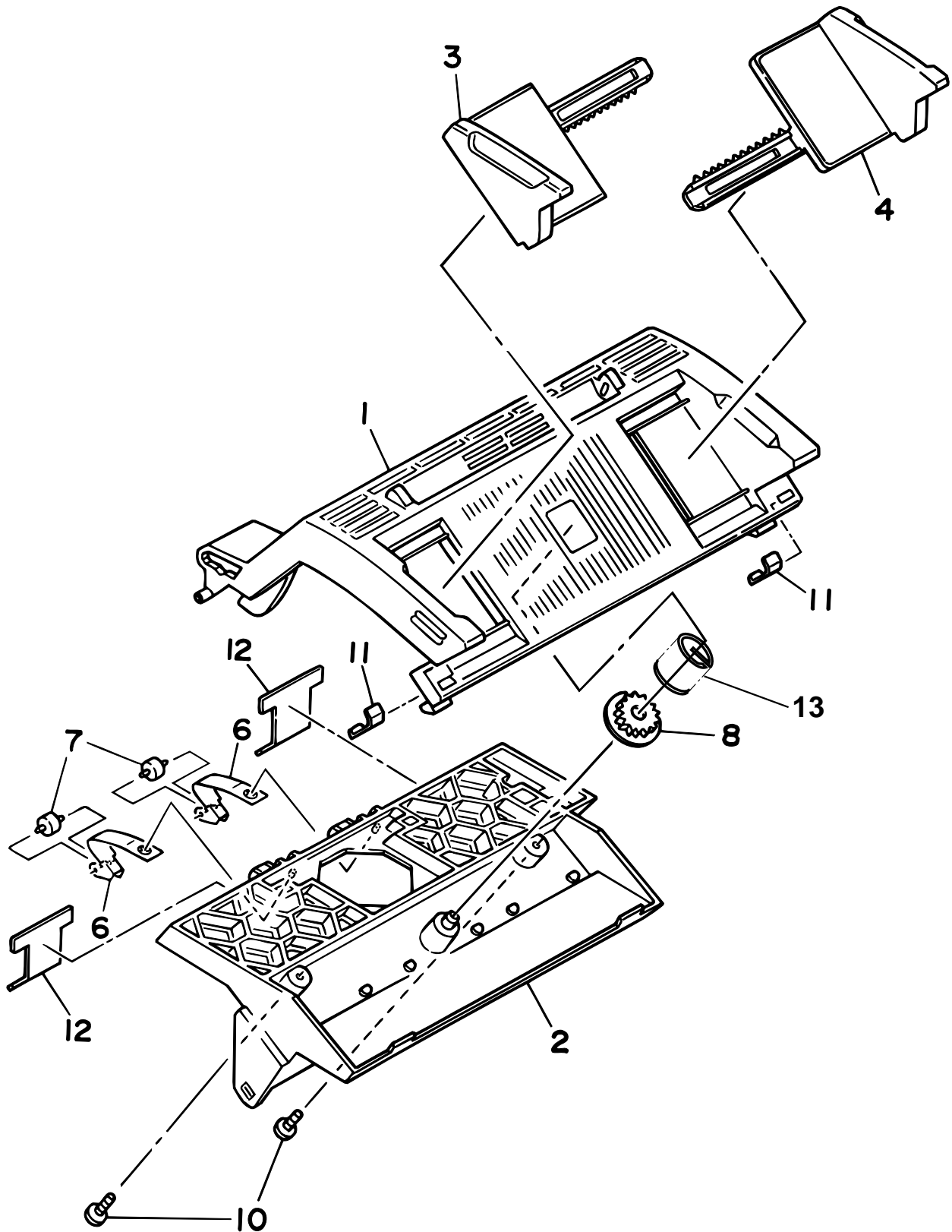
SECTION 8 FRAME ASSEMBLY-SCANNER (U)



Section 8 FRAME ASSEMBLY-SCANNER (U)

Rev.	No.	Oki parts Number	Description	Q'ty	Remarks
	1		Frame-Scanner (U)		
	2	4PP3527-5153P001	BACK-UP PLATE	1	
	3	40267001	SEPARATION RUBBER ASSEMBLY	1	
	5	40021401	Spring-Pinch (L)	1	
	6	40021501	Spring-Pinch (R)	1	
	8	40021701	Guide-Sensor (B)	2	
6	9	40481101	ADF SPRING	1	
3	10		Cord-Earth		
	11		B SCREW FA		
	12	40021201	Roller Assy.-Sensor	1	
	13	40022001	Bearing-S	1	
	14	40020801	Gear-Z31	1	
3	15	40021301	Plate-Support	1	
3	16	40026301	Bar-Discharge	1	
6	17	40461301	Film-Exit (DOC)	1	

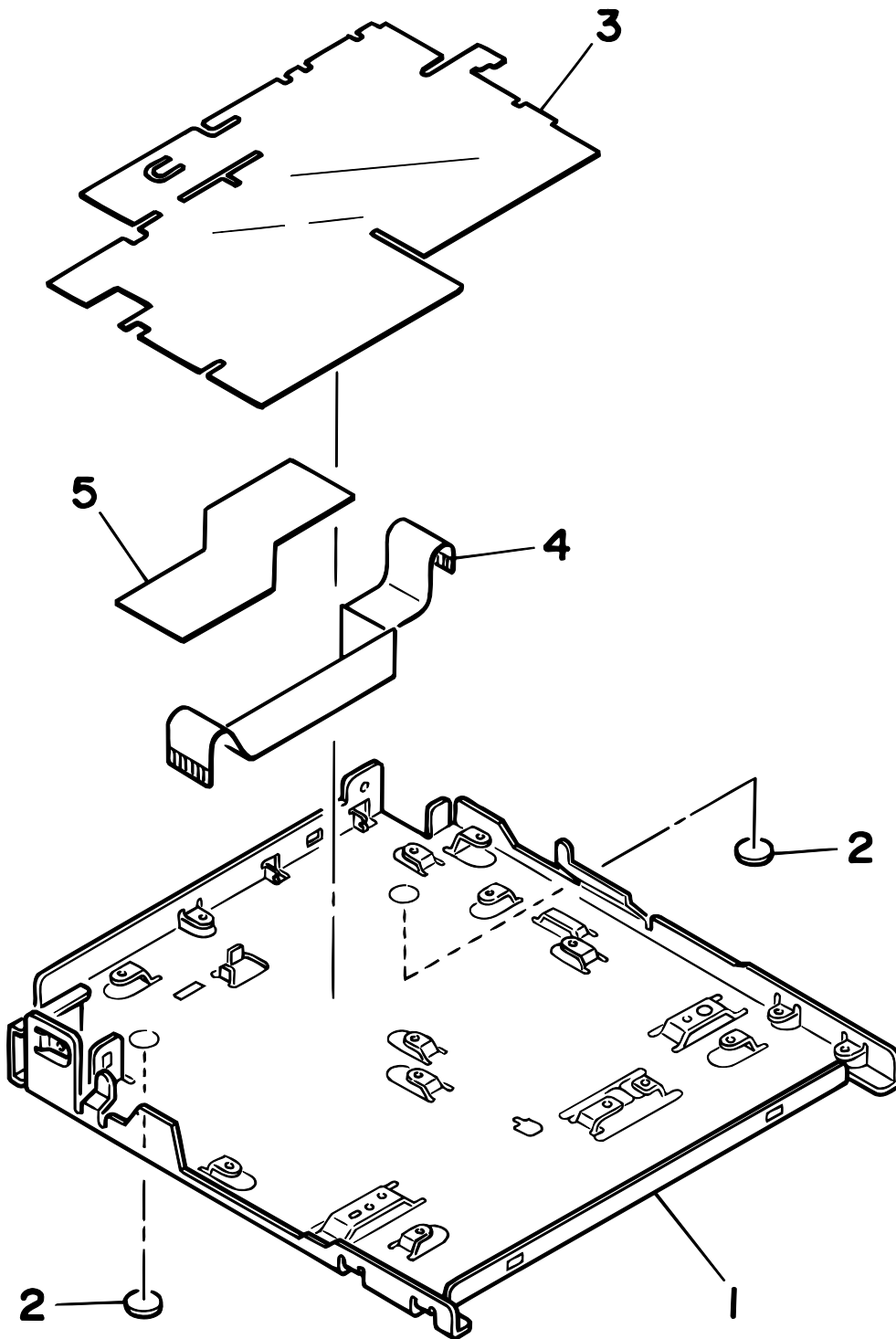
SECTION 9 COVER ASSEMBLY-TOP



Section 9 COVER ASSEMBLY-TOP

Rev.	No.	Oki parts Number	Description	Q'ty	Remarks
	1		Cover-Top		
	2	40022301	Holder-LED	1	
	3		Guide-Document (L)		
	4		Guide-Document (R)		
	6	4PP4128-1268P001	PLATE EXIT	2	
	7	4PP4083-2024P001	EJECT ROLLER A	2	
	8	4PP4083-2328P003	PINION GEAR B	1	
	10		B SCREW FA		
2	11	40093201	Spring-Support	2	
	12	40175801	Film-Exit (A)	2	
6	13	40022601	Spring-D	1	

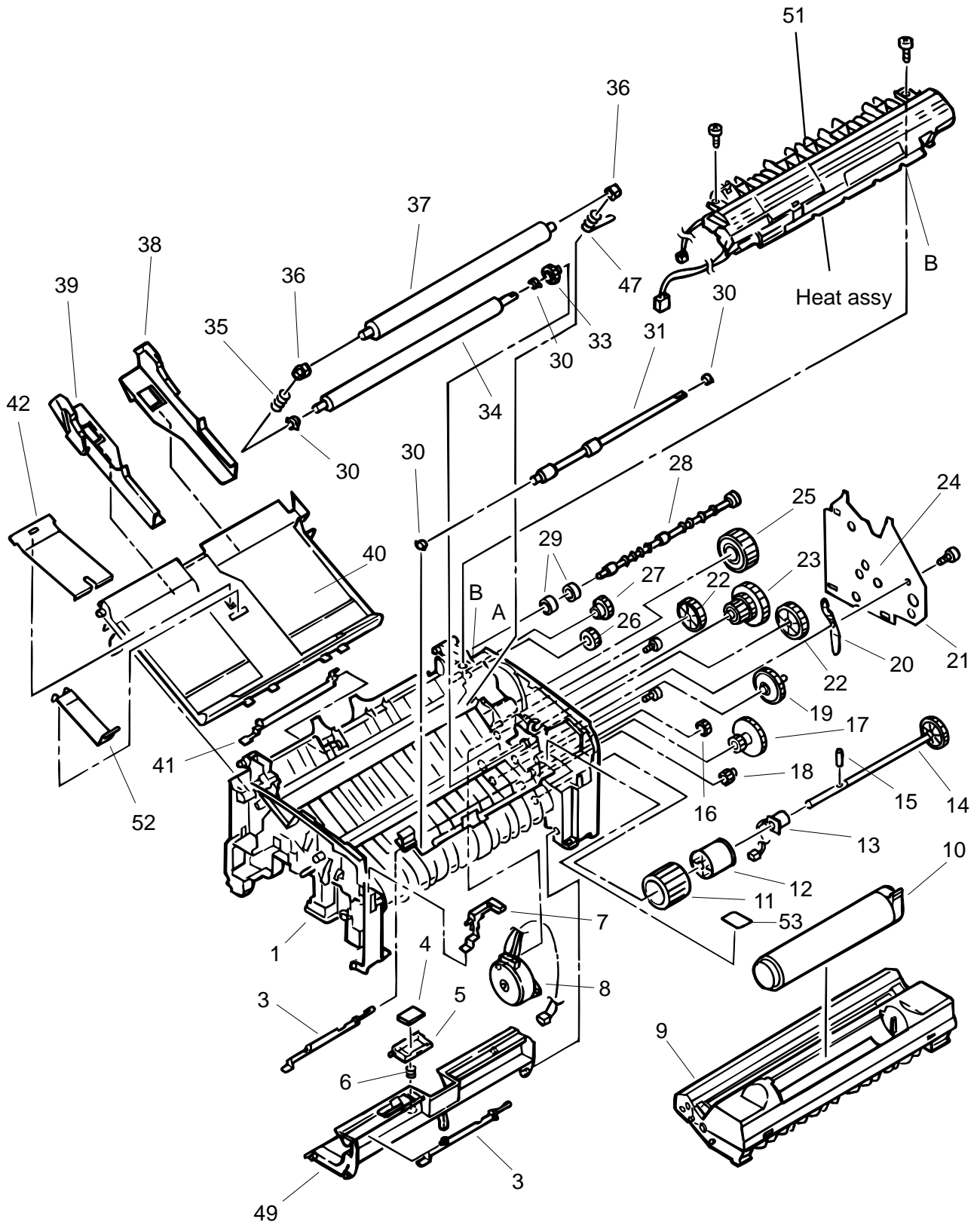
SECTION 10 PLATE ASSEMBLY-BASE



Section 10 PLATE ASSEMBLY-BASE

Rev.	No.	Oki parts Number	Description	Q'ty	Remarks
	1		Plate-Base		
	2		RUBBER A		
	3	40026001	Sheet-Insulation	1	
	4	40128001	Cord-Falt (FUJI CARD)	1	
4	5		Sheet-FG		

SECTION 11 PRINTER BASE FRAME UNIT



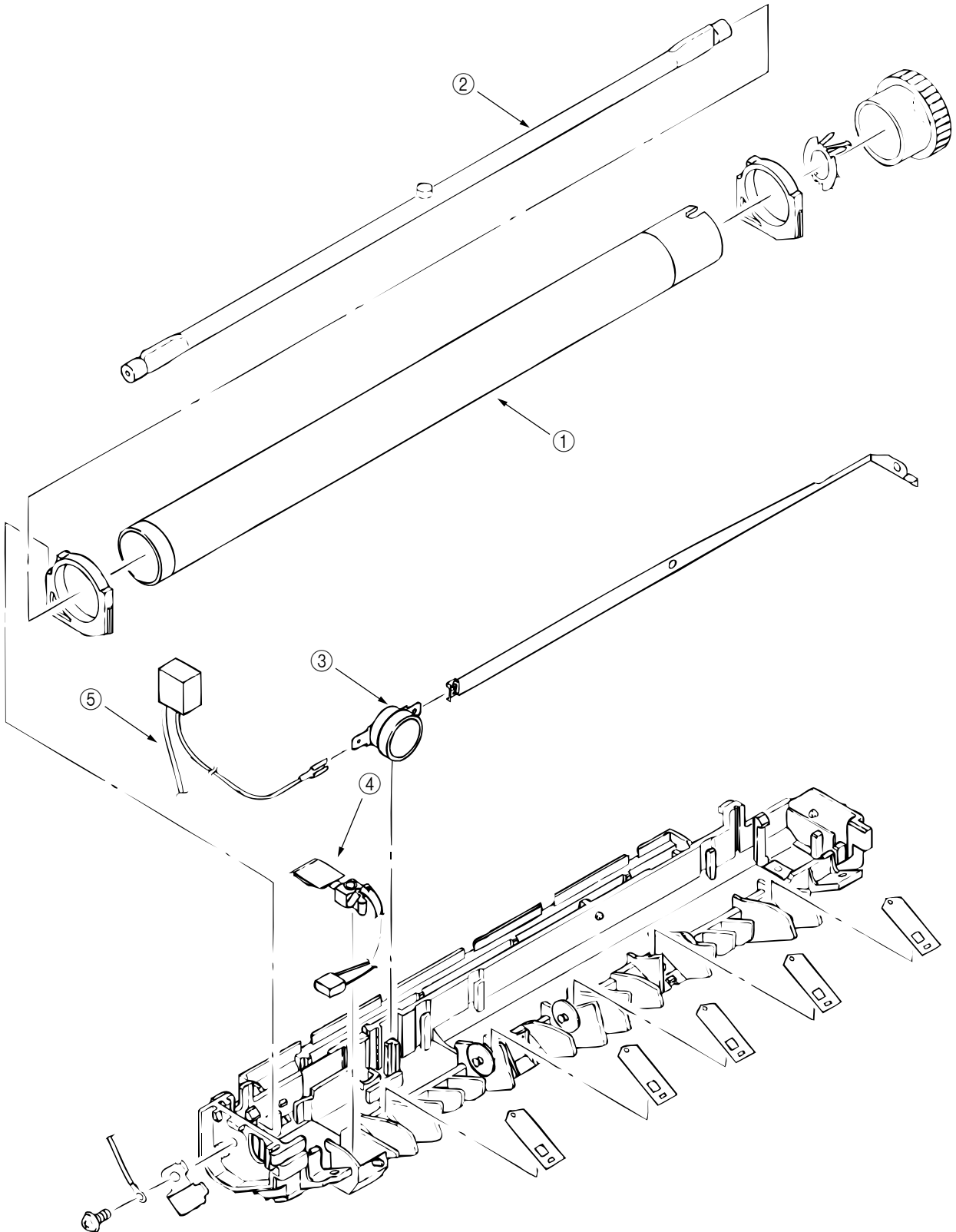
Section 11 PRINTER BASE FRAME UNIT 1/2

Rev.	No.	Oki parts Number	Description	Q'ty	Remarks
	1	2PP4083-1502G1	Base Frame Assy.	1	
	3	3PP4083-1191P1	Paper Sensor E	2	
	4	4PB4083-1245P1	Friction Pad	1	
	5	3PP4083-1244P1	Separator Guide	1	
	6	4PP4083-1246P1	Compression Spring S	1	
	7	3PA4083-1193G1	Toner Sensor Assy.	1	
	8	4PB4083-1172P1	Pulse Motor (Main)	1	
	9a	4YA4083-1600G2	Ep Unit	1	For ODA
	9b	4YA4083-1600G3	Ep Unit	1	For OEL/OKI-INT
	10a	40035001	Toner Cartridge Unit	1	For ODA
	10b	4YA4083-1450G3	Toner Cartridge Unit	1	For OEL/OKI-INT
	11	4PB4083-1129P1	Hopping Roller	1	
	12	3PP4083-1128P1	Roller Holder (Hopping Roller)	1	
	13	3PB4083-1127P1	Magnet H (Hopping Shaft)	1	
	14	3PA4083-1133G1	Hopping Shaft Assy.	1	
	15	NK2-10-SUS	Knock Pin	1	
	16	4PP4083-1143P1	Idle Gear R	1	
	17	3PP4083-1184P1	Idle Gear 2R	1	
	18	3PP4083-1142P1	Gear R	1	
	19	2PP4083-1181P1	Idle Gear M	1	
	20	3PP4083-1189P1	Earth Plate A	1	
	21	3PP4083-1188P1	Slide Plate M	1	
	22	3PP4083-1182P1	Idle Gear P	2	
	23	3PP4083-1183P1	Idle Gear 3R	1	
	24	4PP4083-1165P1	Tension Plate	1	
	25	3PP4083-1185P1	Idle Gear Heat	1	
	26	4PP4083-1186P1	Idle Gear E (A)	1	
	27	3PP4083-1187P1	Idle Gear E (B)	1	
	28	3PP4083-1170P1	Drive Shaft E (Eject)	1	
	29	40074601	Eject Roller	2	
	30	3PP4083-1141P1	Resistration Bearing	4	

Section 11 PRINTER BASE FRAME UNIT 2/2

Rev.	No.	Oki parts Number	Description	Q'ty	Remarks
	31a	3PB4083-1140P1	Resistration Roller	1	
6	31b	40457001	Resistration Roller	1	For CHN
	33	3PP4083-1151P1	Gear T	1	
	34a	3YB4083-1150P2	Transfer Roller	1	
6	34b	40456901	Transfer Roller	1	For CHN
	35	4PP4083-1136P1	Bias Spring (L) (Back UP Roller)	1	
	36	3PP4083-1161P1	Bearing BU (Back Up Roller)	2	
	37	3PB4083-1160P2	Pressure Roller B (Back Up Roller)	1	
	38	3PP4083-1233P1	Paper Guide (R)	1	
	39	3PP4083-1232P1	Paper Guide (L)	1	
	40	1PP4083-1231P1	Paper Holder	1	
	41	3PP4083-1192P1	Paper Sensor Exit	1	
	42	4PP4083-1247P1	Hopping Spring	1	
	47	4PP4083-1137P1	Bias Spring (R) (Back Up Roller)	1	
	49	1PP4083-1241P1	Sheet Guide	1	
	51a	1YX4083-1200G1	Heat Assy.	1	120V
	51b	1YX4083-1200G2	Heat Assy.	1	230V
	52	40034001	Stopper Spring	1	
	53	4PB4091-6047P1	Caution Label (TR)	1	230V

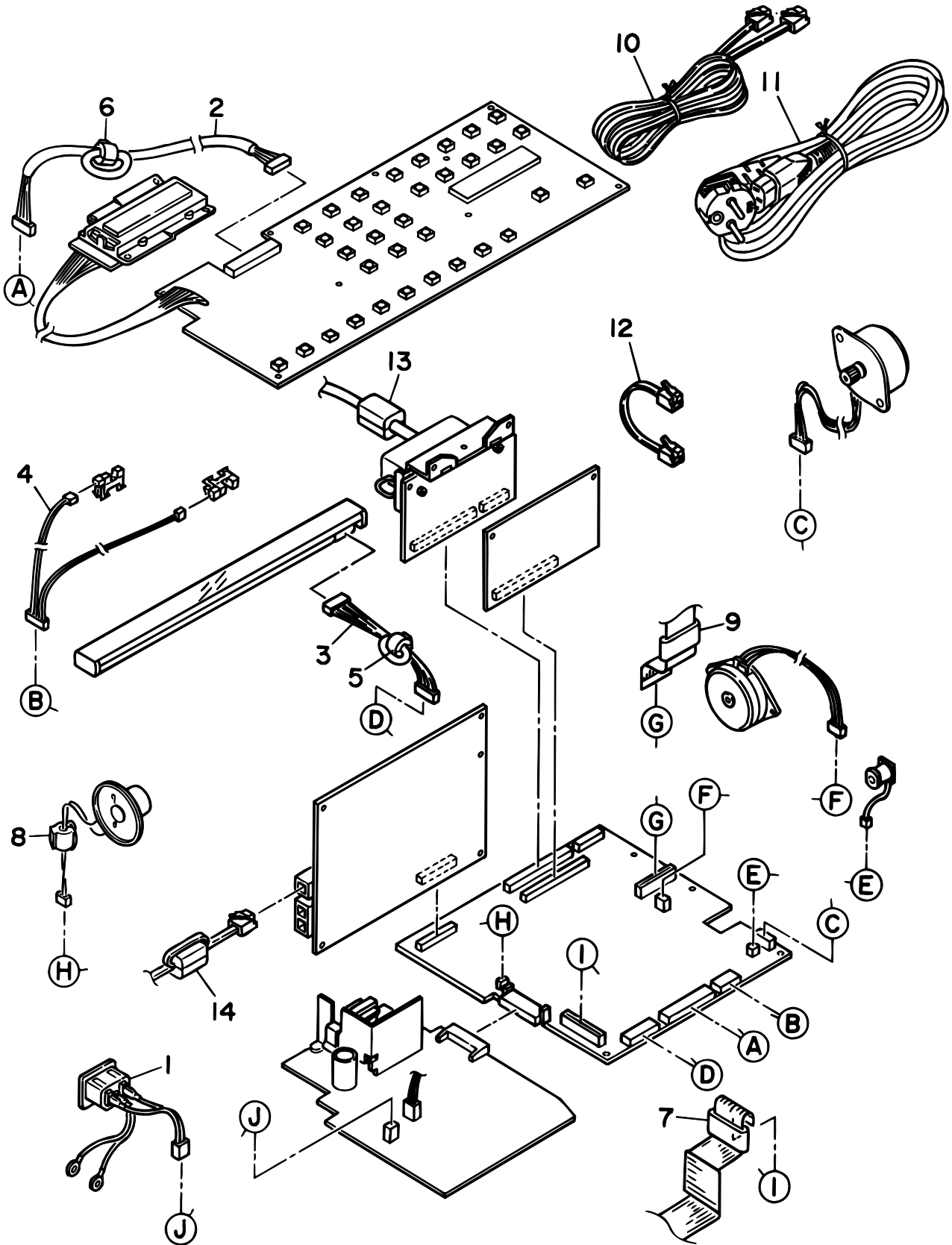
SECTION 12 PRINTER HEAT ASSY



Section 12 PRINTER HEAT ASSY.

Rev.	No.	Oki parts Number	Description	Q'ty	Remarks
	1	3PB4083-1202P1	Heat Roller	1	
	2a	3PB4083-6103P4	Halogen Lamp	1	120V
	2b	3PB4083-6103P5	Halogen Lamp	1	230V
	3	4PB4083-1204P1	Thermostat	1	
	4	4PB4083-1205P1	Thermistor	1	
	5	4PB4083-1213P1	Heat Cord	1	

SECTION 13 CABLES



Section 13 CABLES

Rev.	No.	Oki parts Number	Description	Q'ty	Remarks
	1	40048101	Connection Cord-Wire (AC)	1	
	2	40040001	Connection Cord-Wire (OPE)	1	
	3	40040201	Connection Cord-Wire (CIS)	1	
	4	40040301	Connection Cord-Wire (PC1/2)	1	
	5	105A1070C0003	TFC-20-10-10 Core	1	
	6	105A1070C0004	TFC-23-11-14 Core	1	
	7	105A1073C4002	SSC-40-12-M Core	1	
	8	1051070C0001	TFC-16813 Core	1	
	9	105A1067C1001	FPC-25-12 Core	1	
	10a	236A3161P0002	TEL/LINE Cable	1	
	10b	4YB3522-1297G001	TEL/LINE Cord	1	GER TN
	11a	3YS4011-1329P002	AC CORD A	1	OKI-INT
	11b	4YS3512-1485P001	AC CORD	1	ODA *Note 1
	11c	236A6058P0001	AC CORD	1	OEL
	11d	40483802	AC CORD A	1	CHN
	12	4YS4111-5581P001	CORD (TEL1-TEL 2)	1	GER, TN
	13	105A1062C0002	0443-167251 Core	1	For PC I/F use
	14	105A1068C1004	SFC-8 Core	1	For TEL/LINE Cord use

Note 1: Parts will be supplied by ODA.