

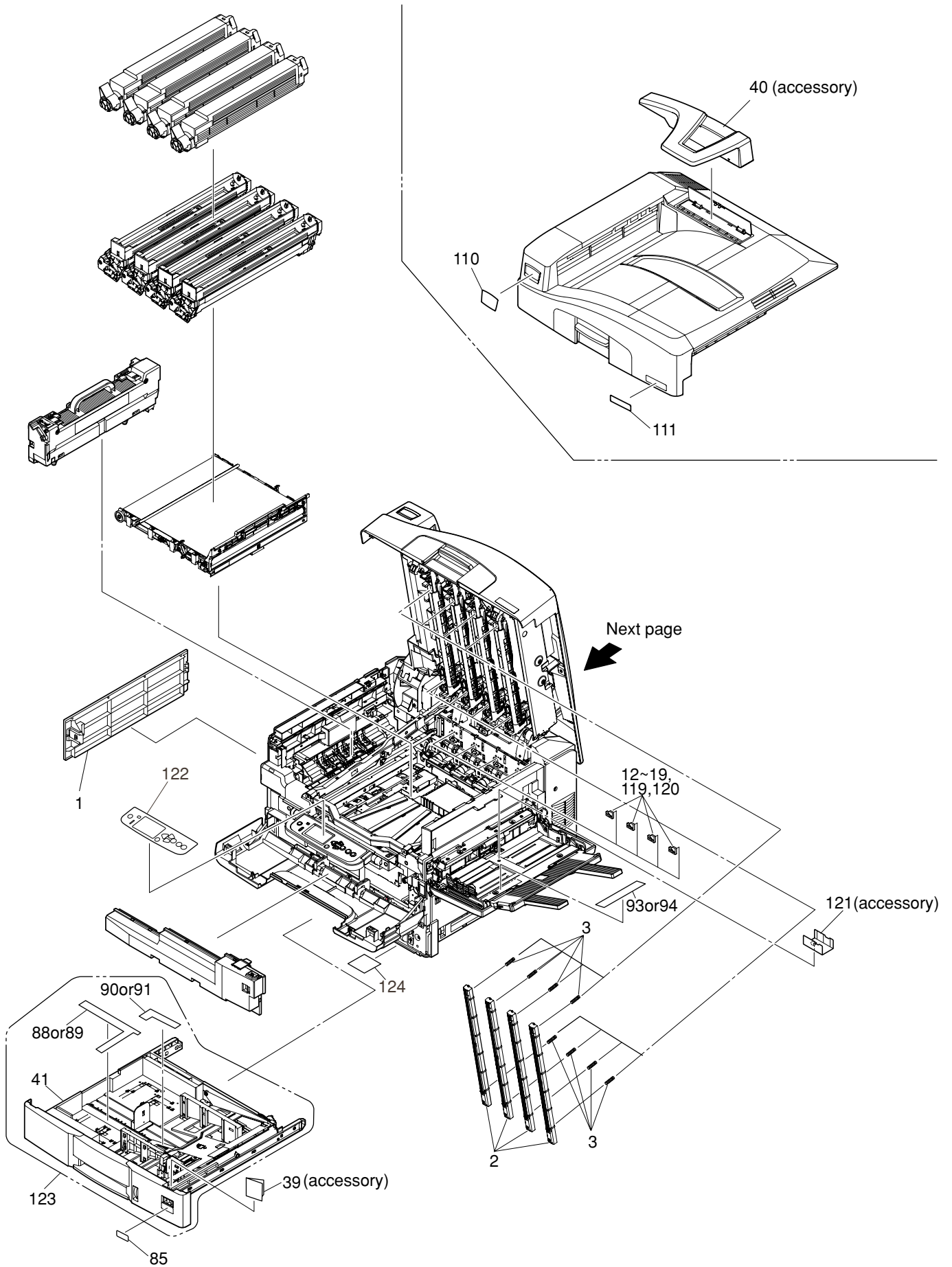
# OEL Disassembly Drawing

C9600/C9800

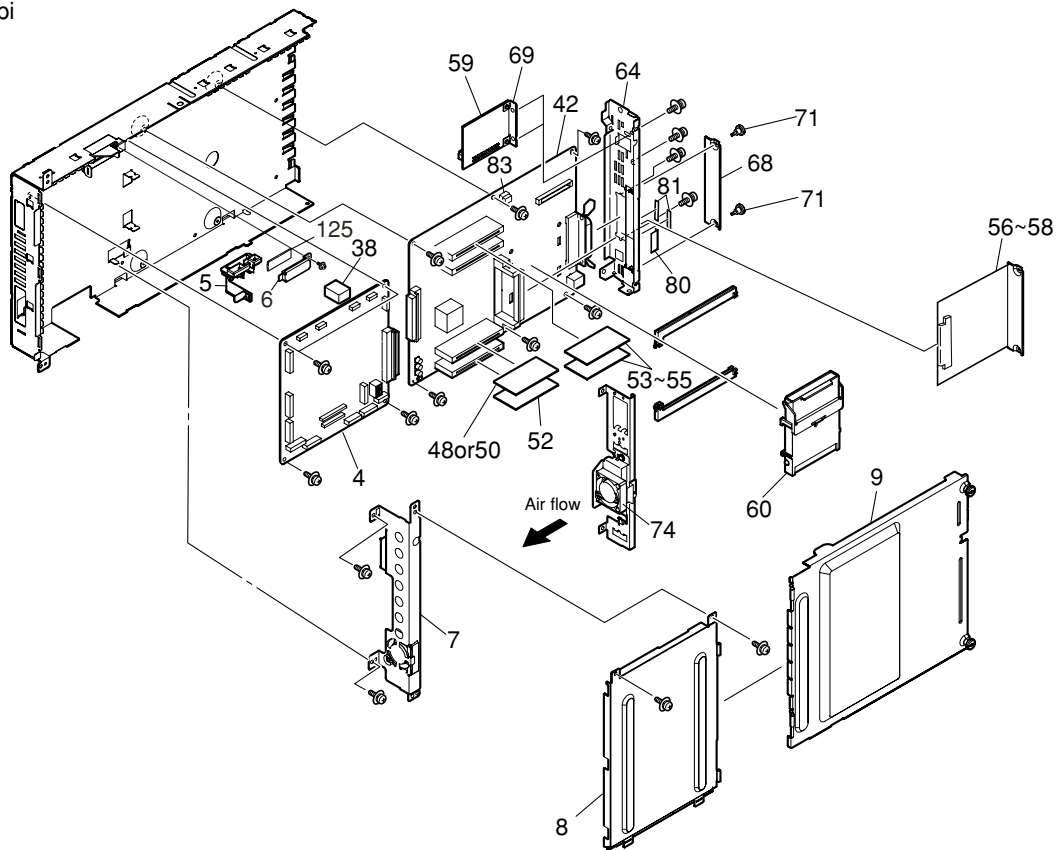


Revision 20

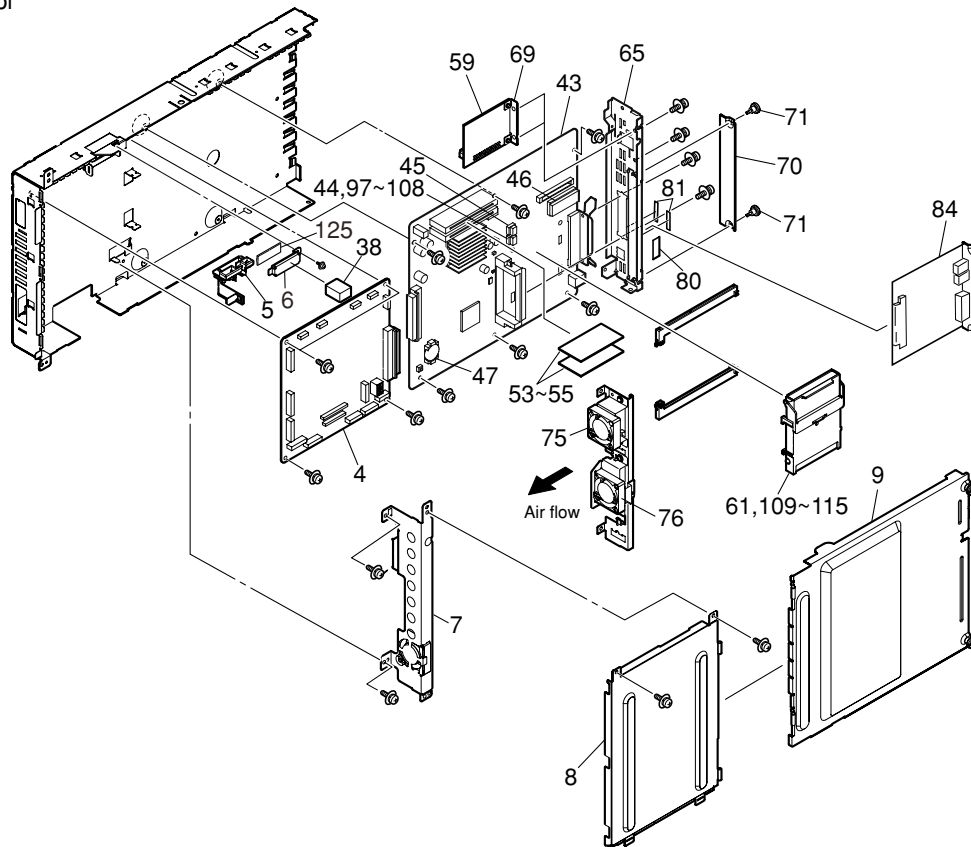
MAIN



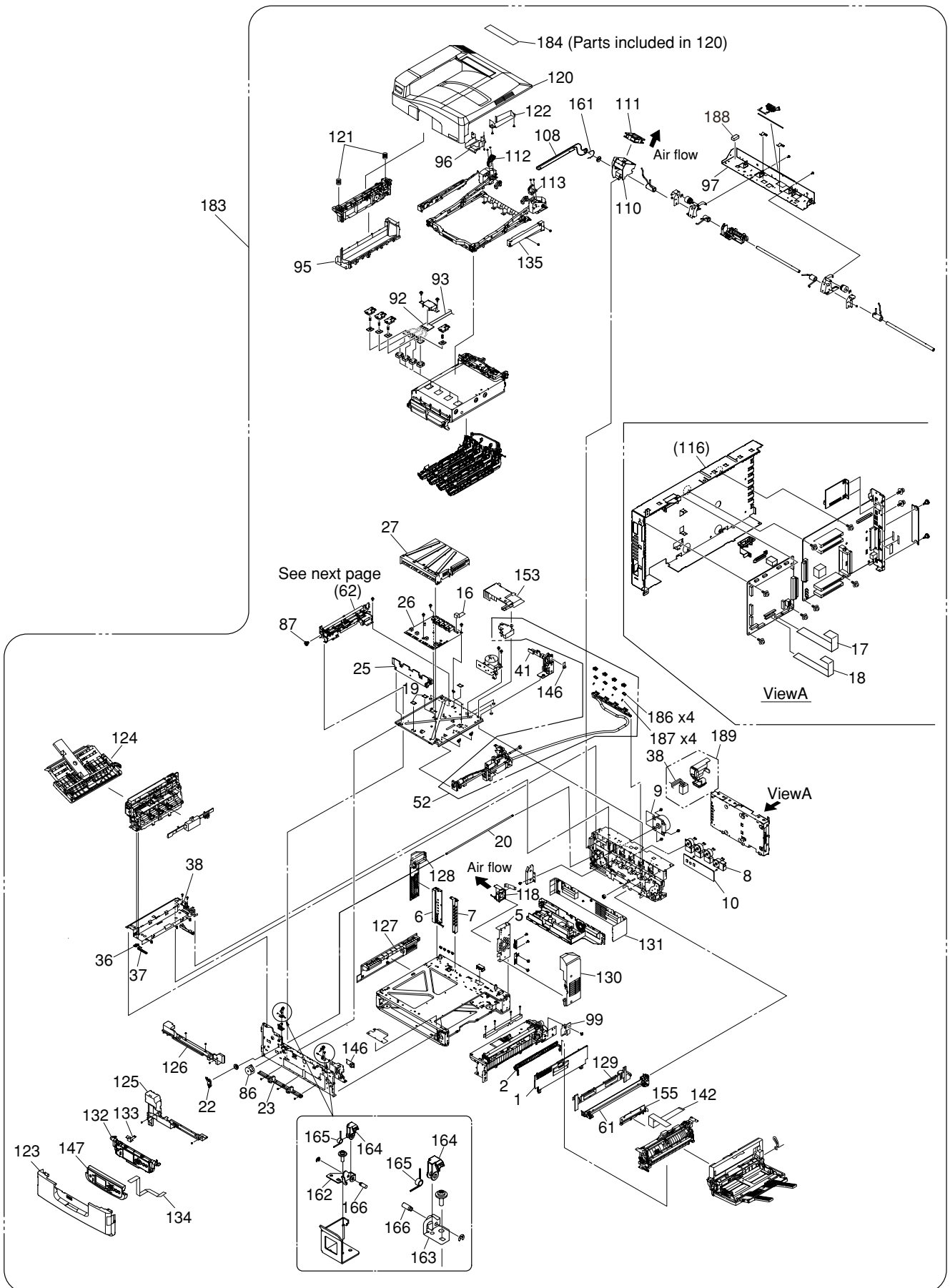
600dpi



1200dpi



Printer-Unit 1/2



Printer-Unit 2/2

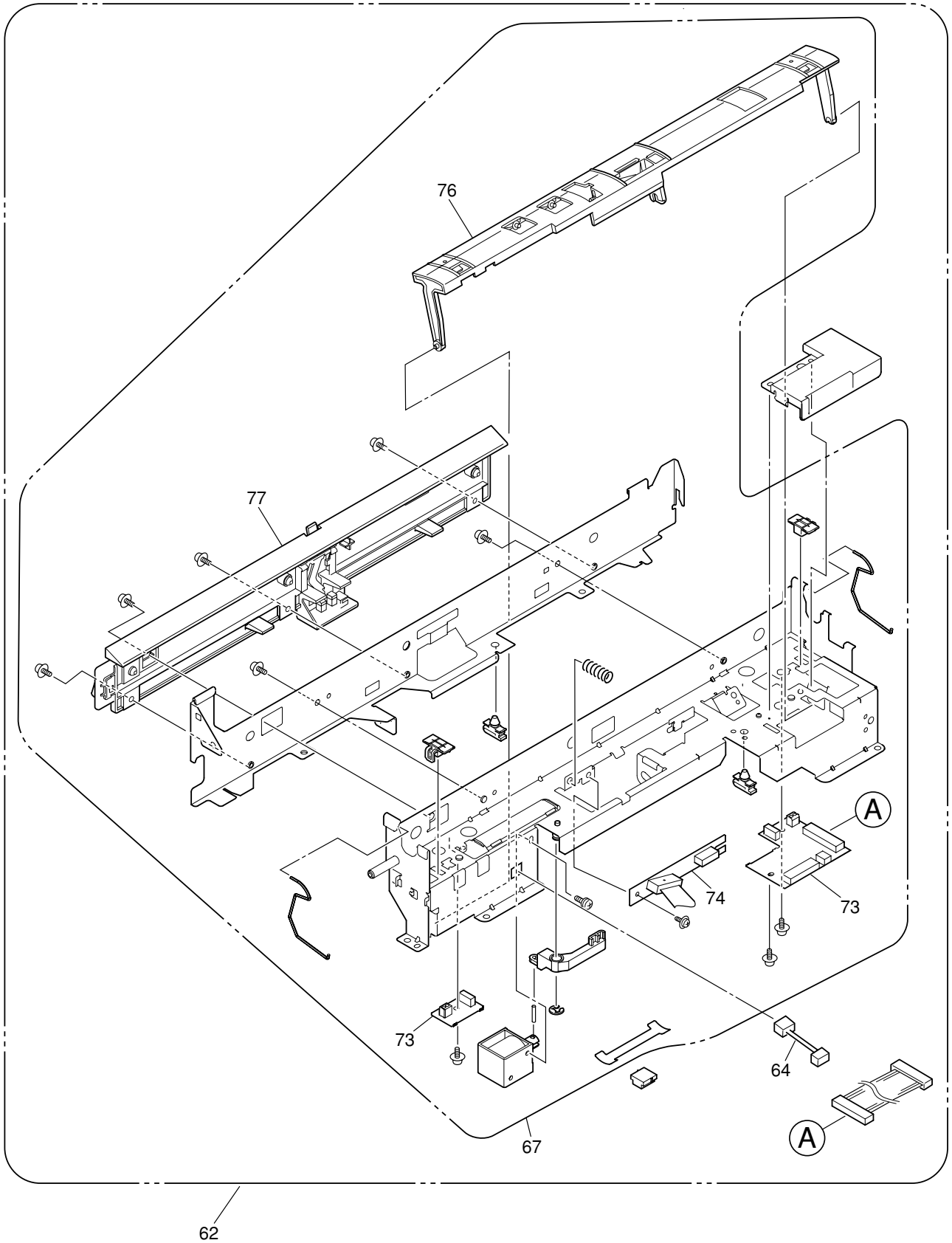
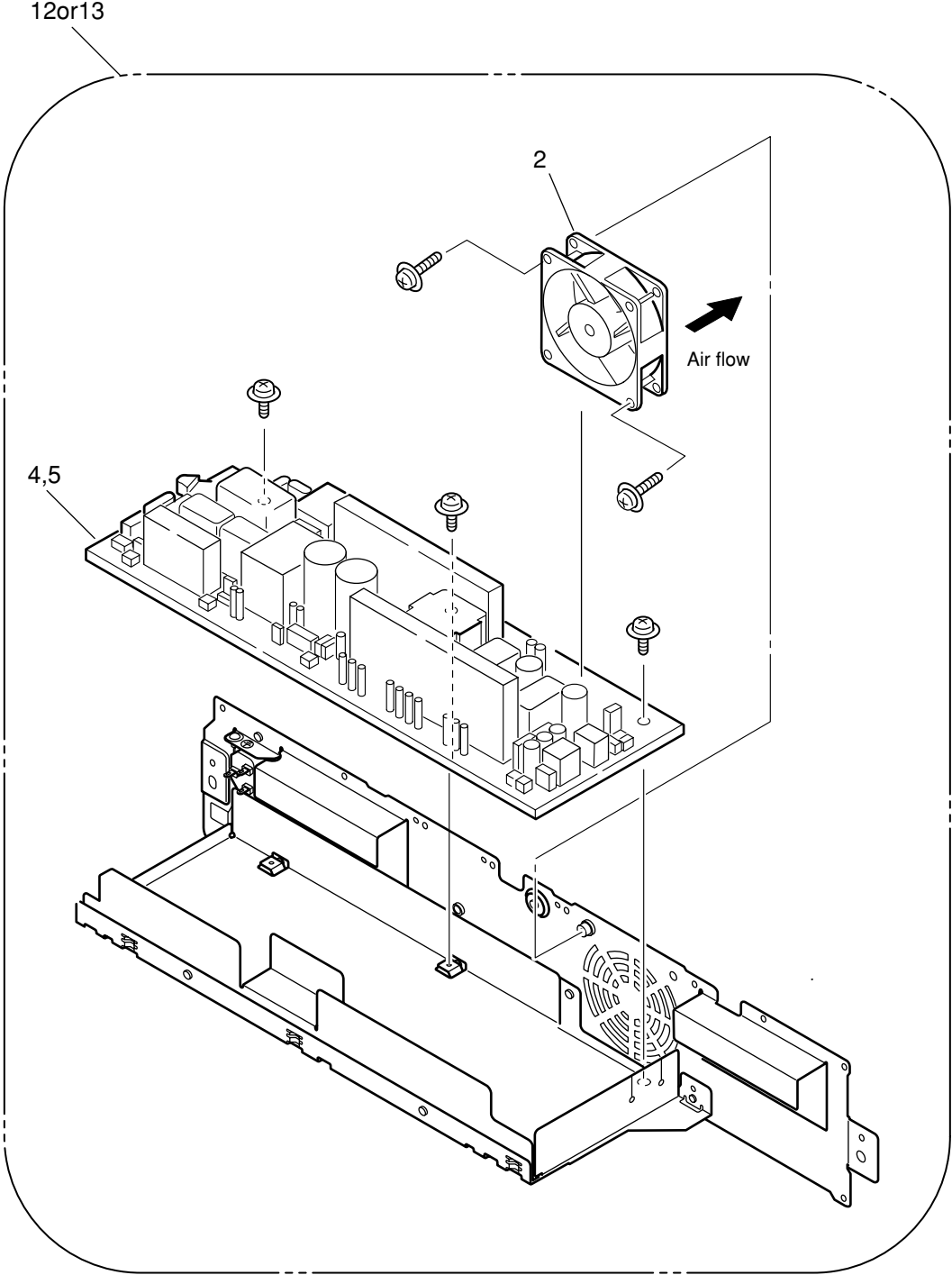
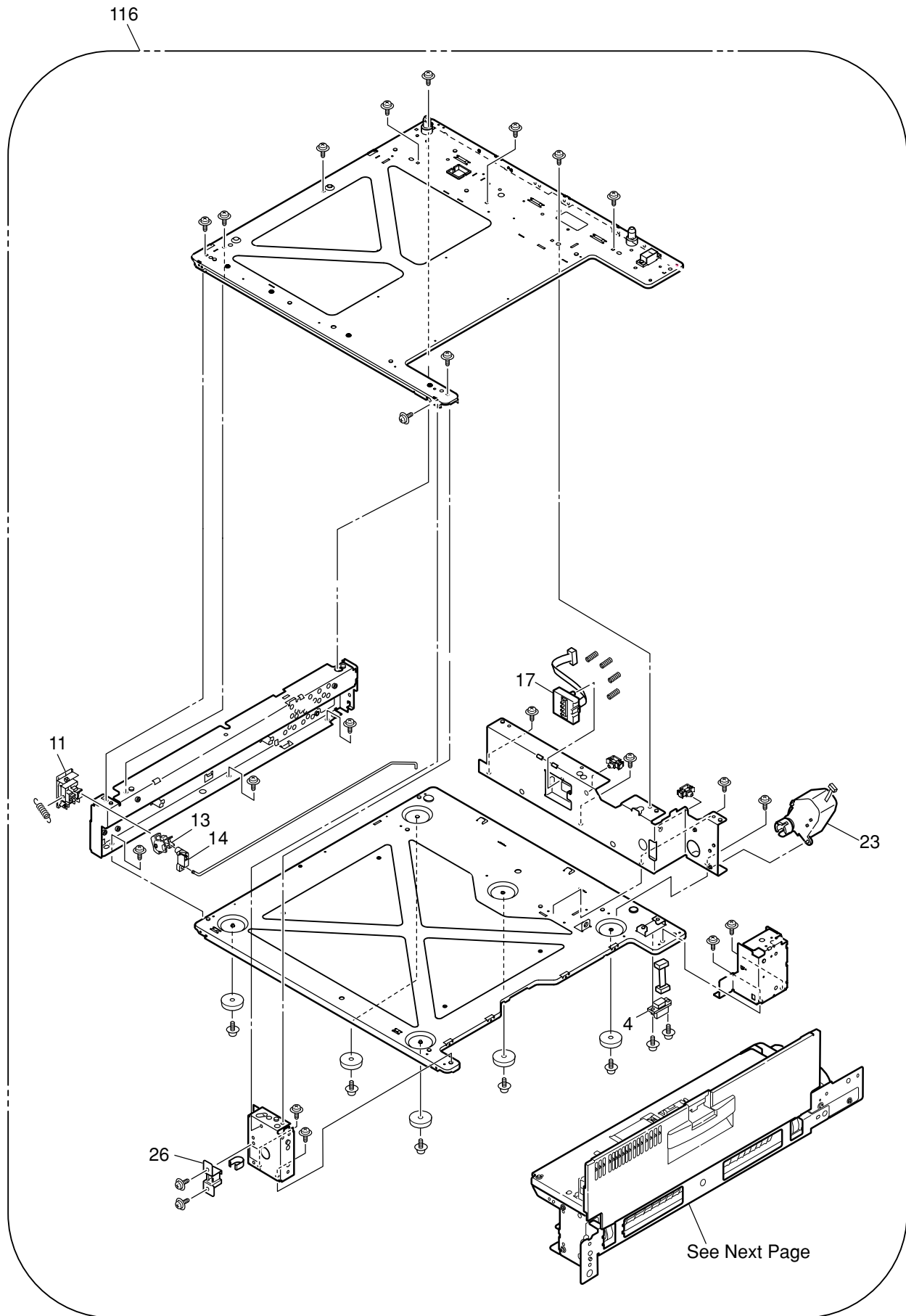


Plate-Assy-Power\_ 100V/120V

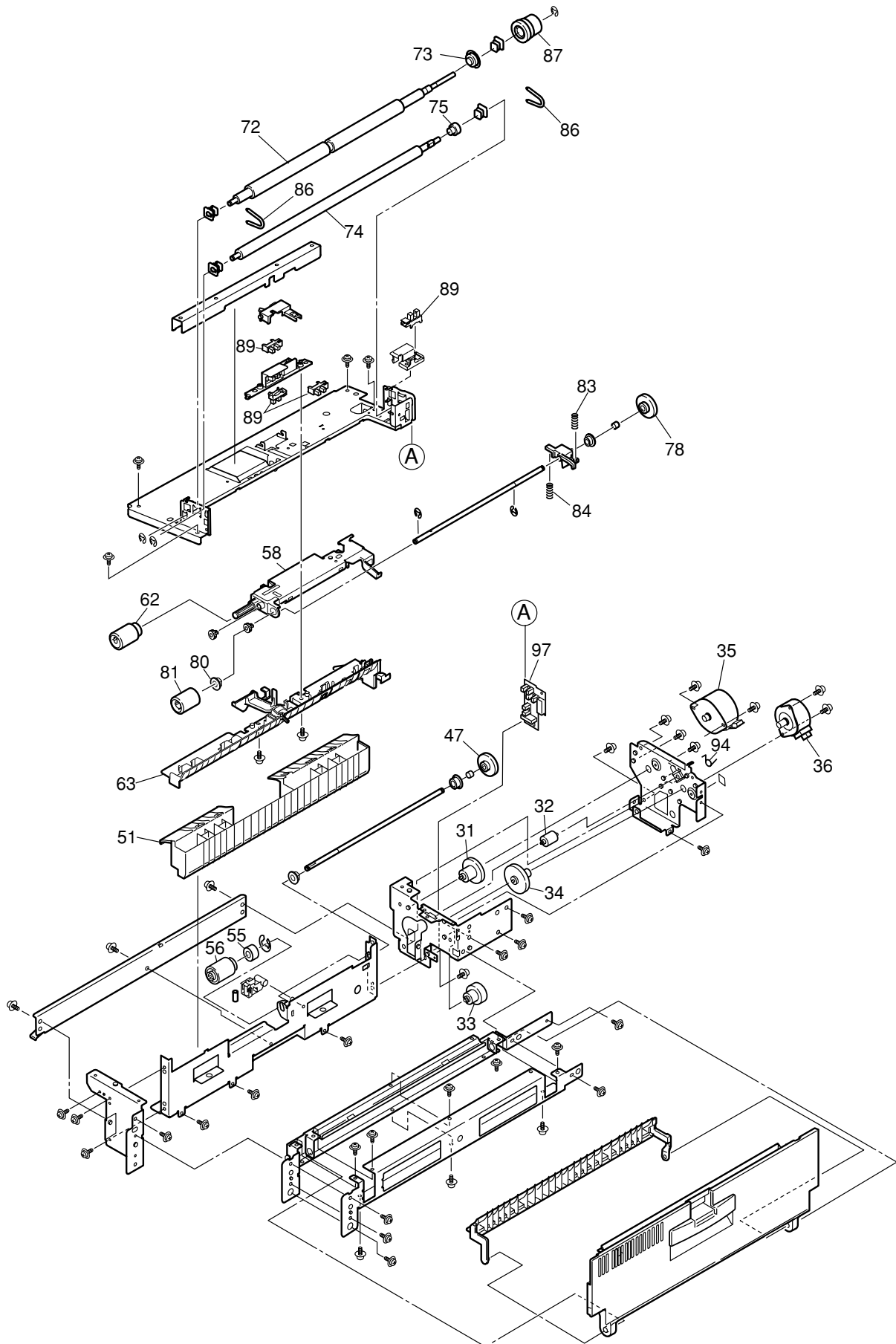
Plate-Assy-Power \_ 230V



# Base-Assy 1/2

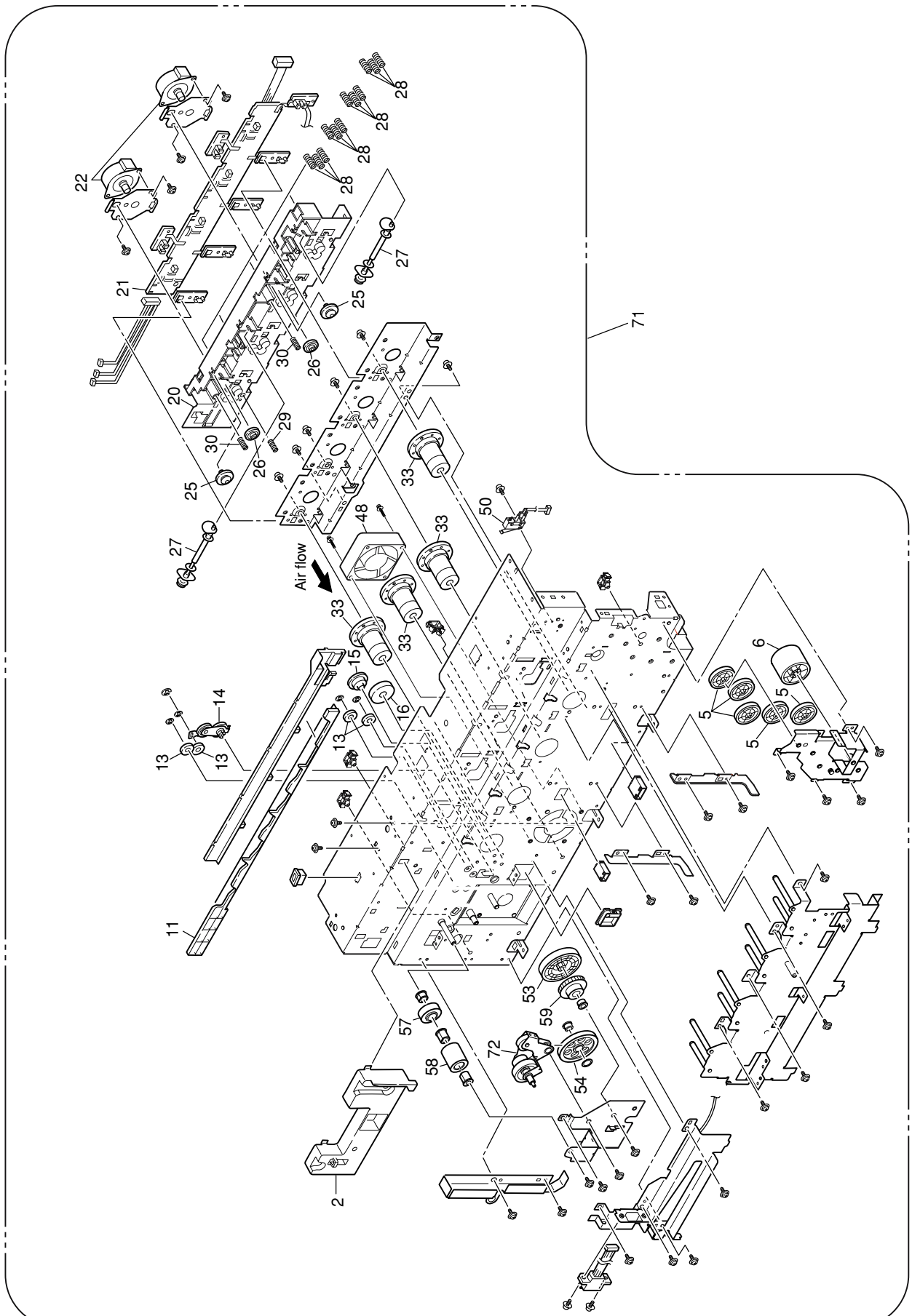


# Base-Assy 2/2

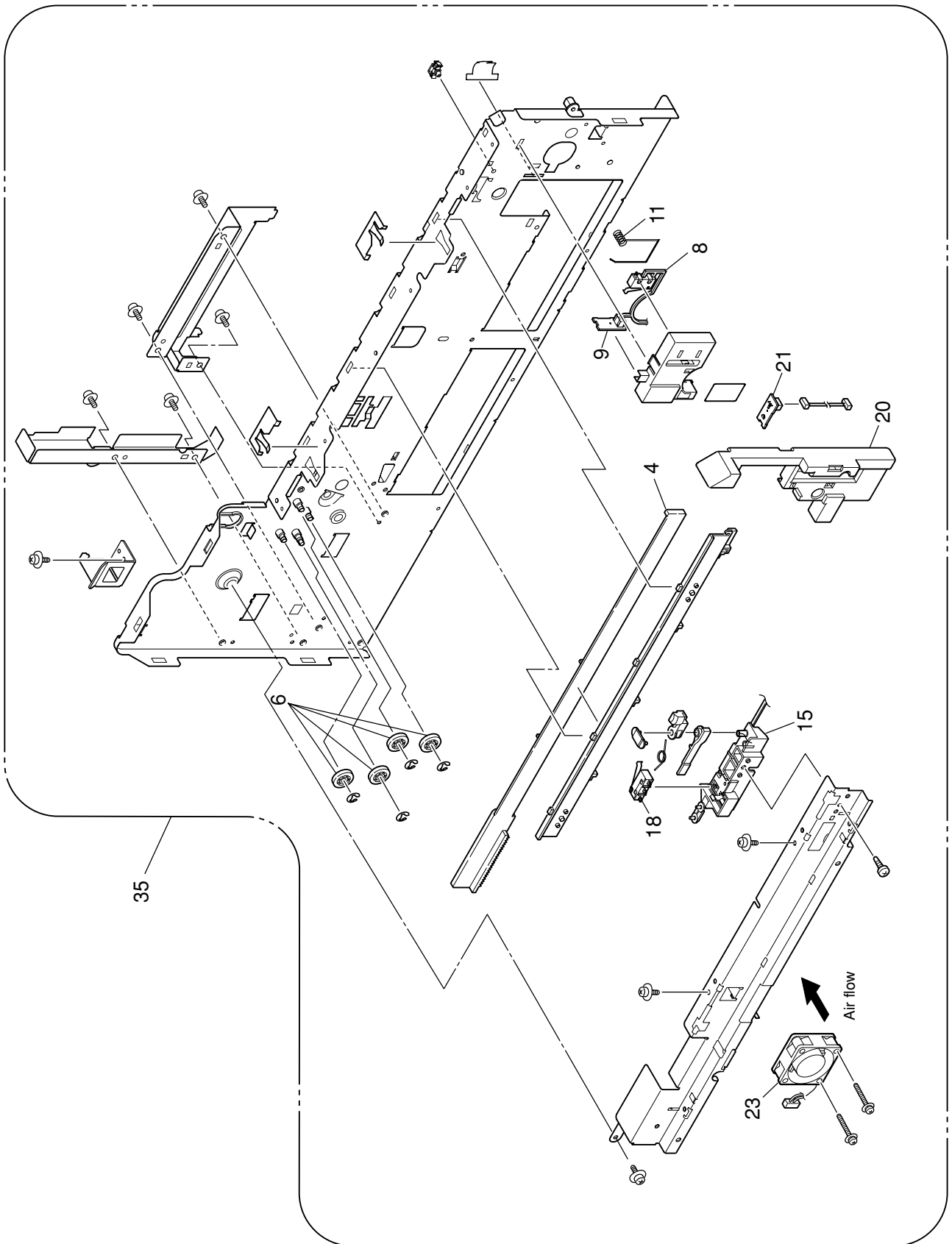




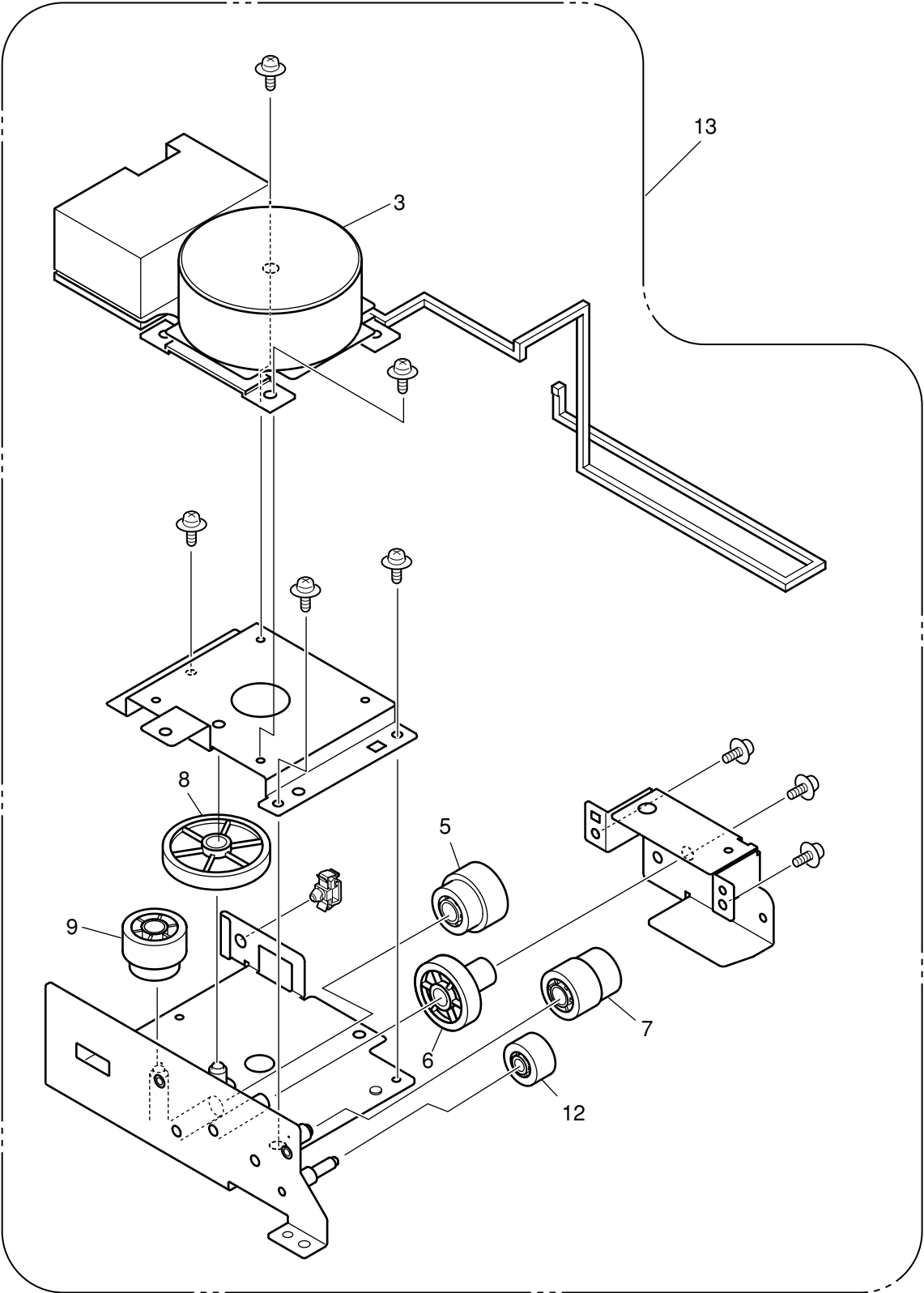
# Side-R-Assy



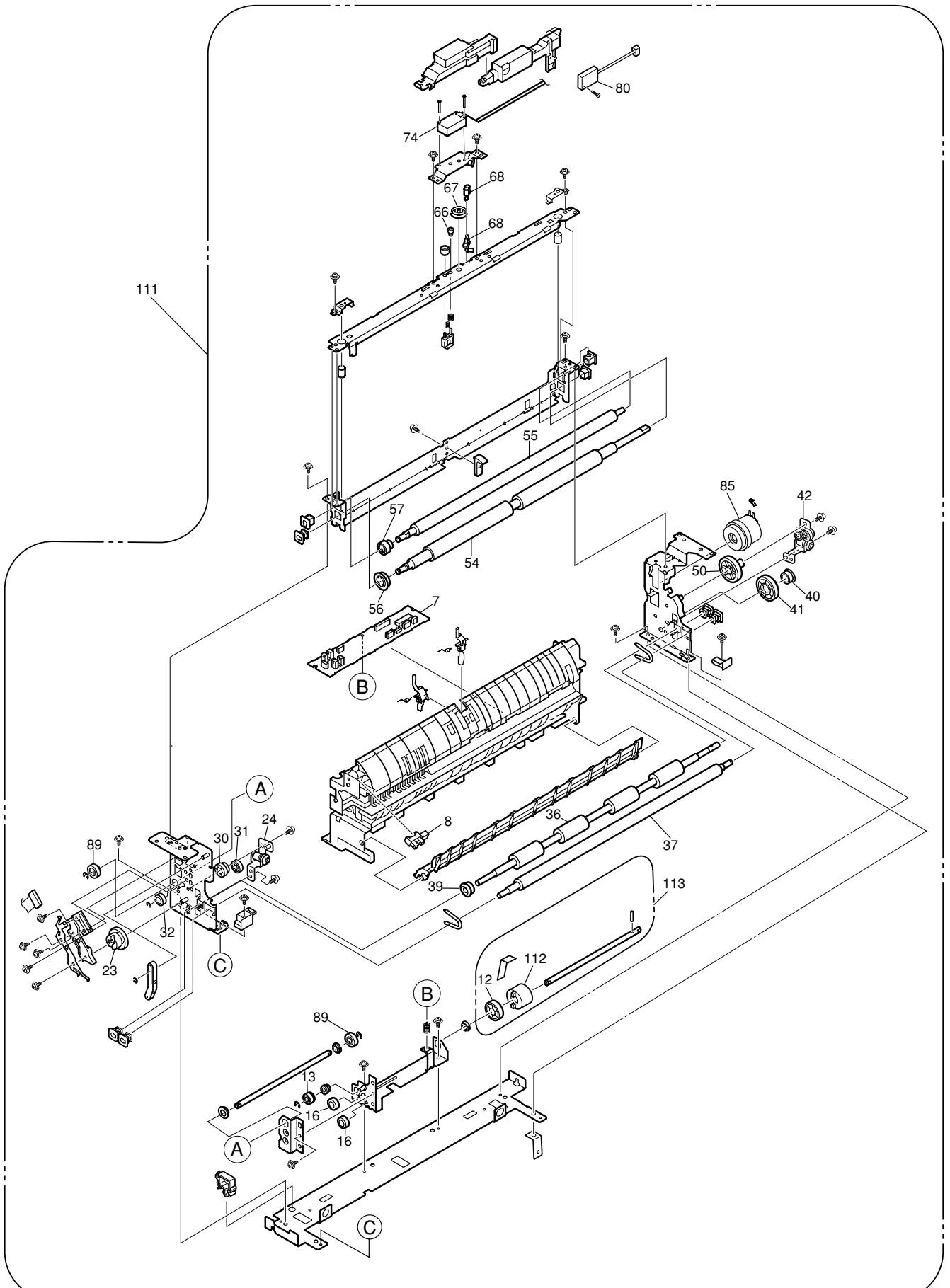
ide-F-Assy



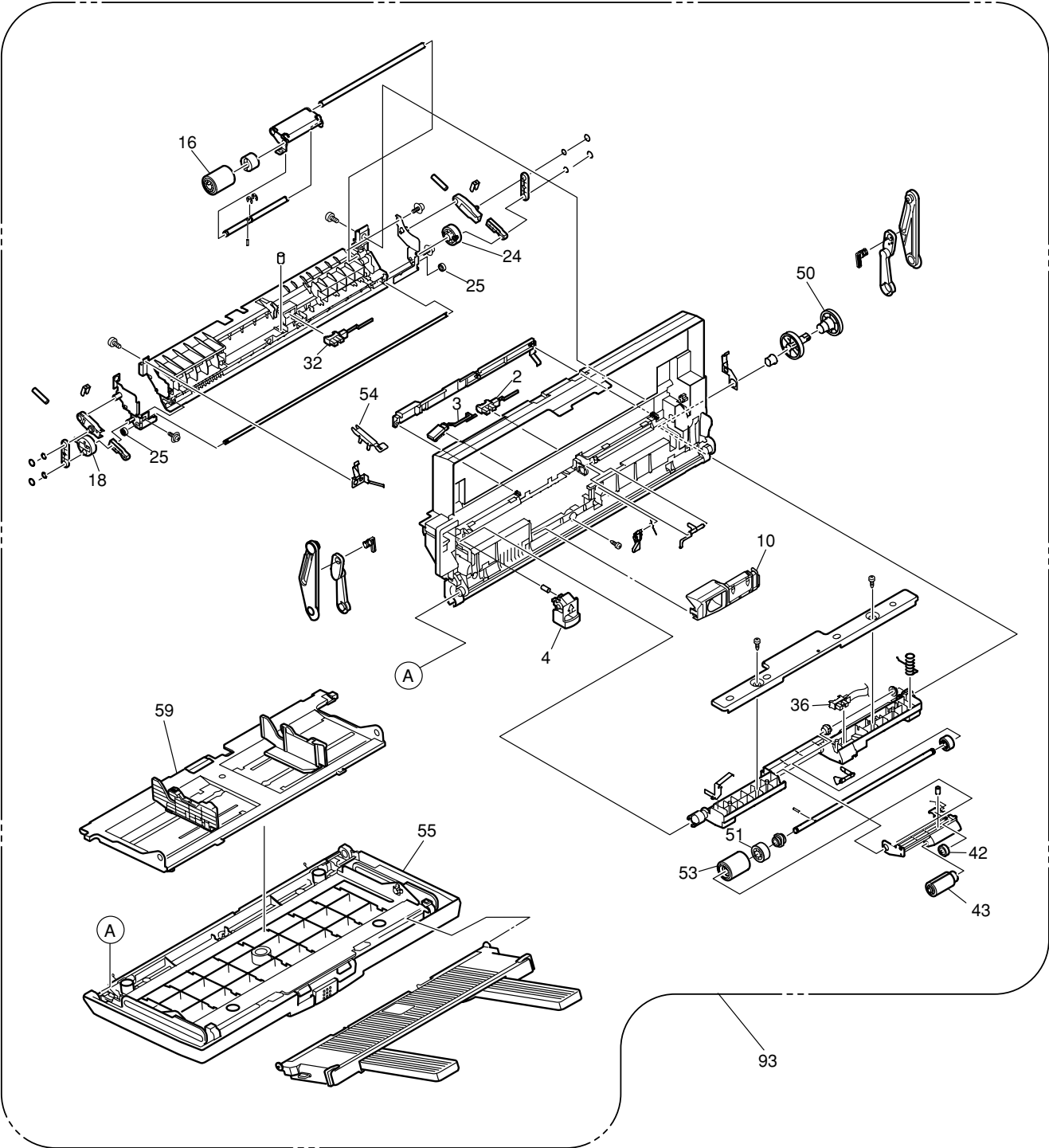
Duct-Drive-Assy



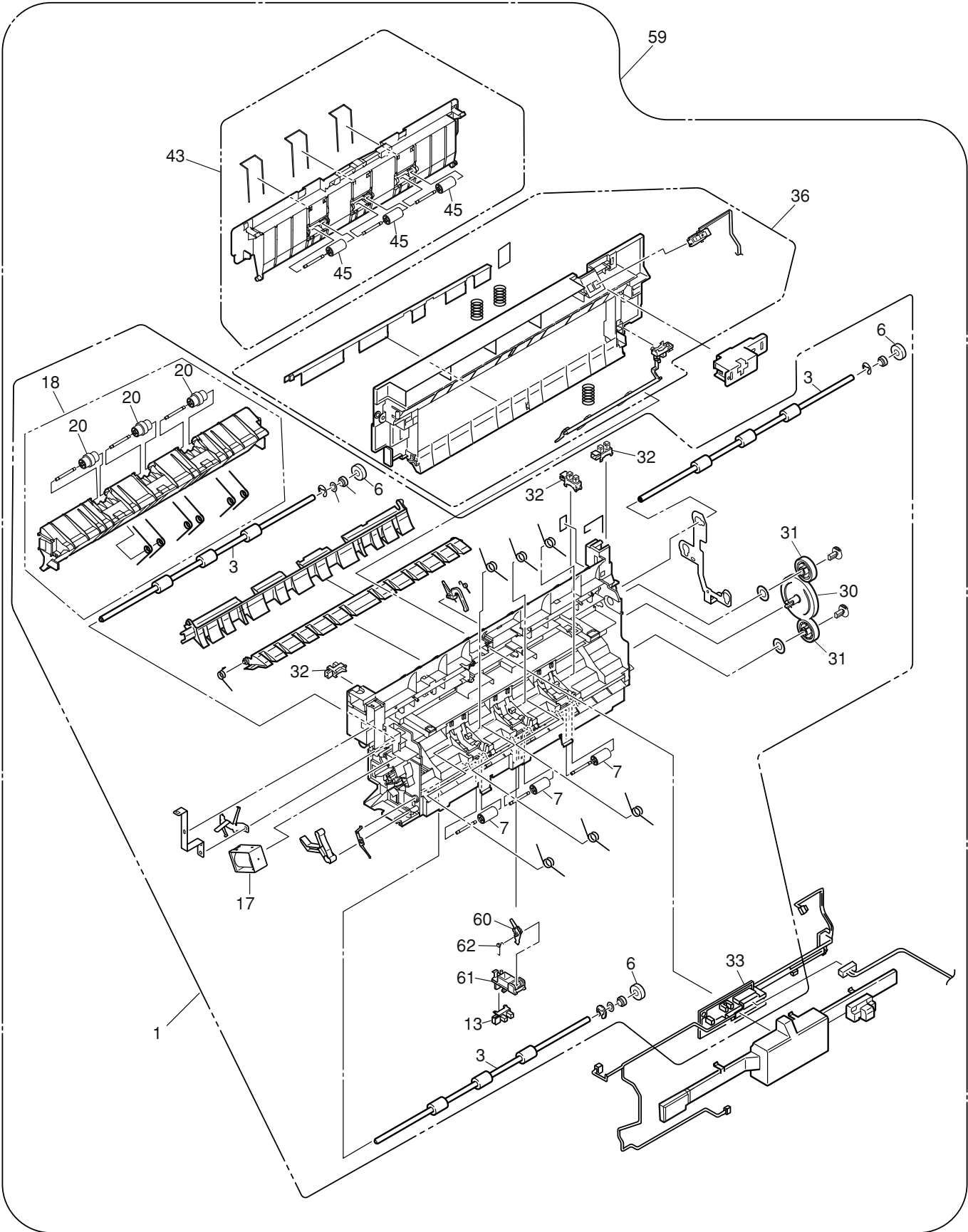
# FDR-Unit-Regist



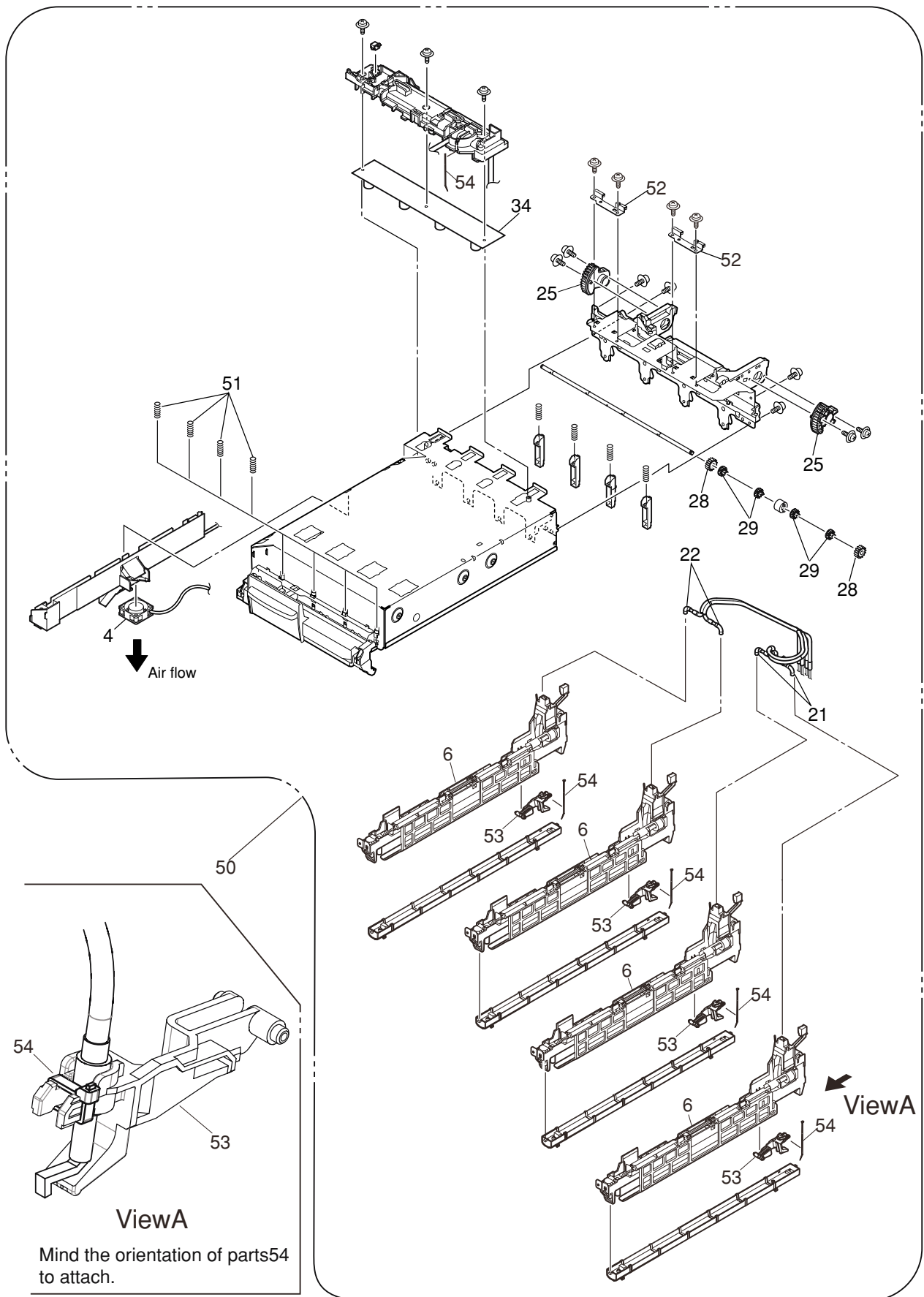
FDR-Unit-MPT



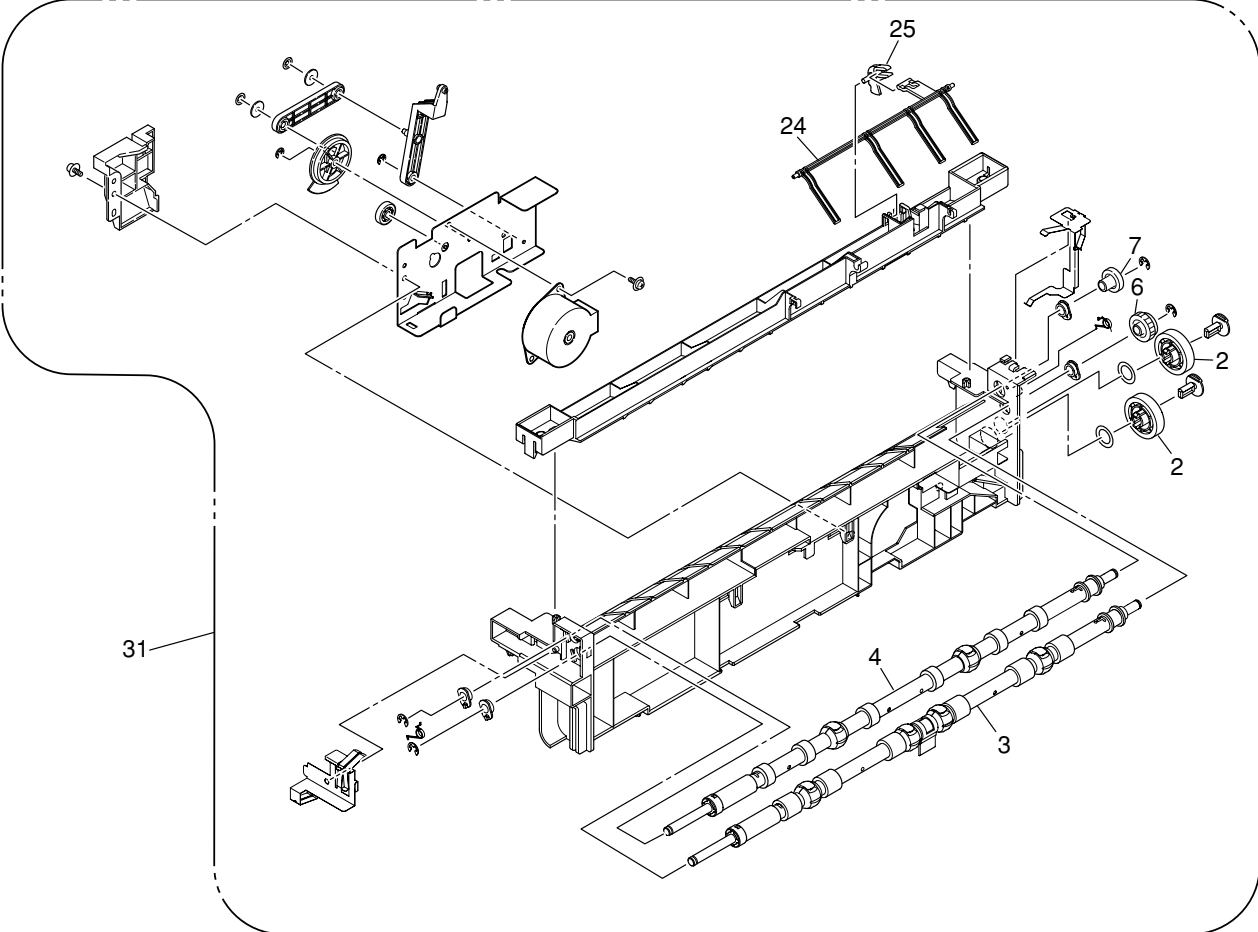
Ejest-Assy



# Plate-Top-Assy

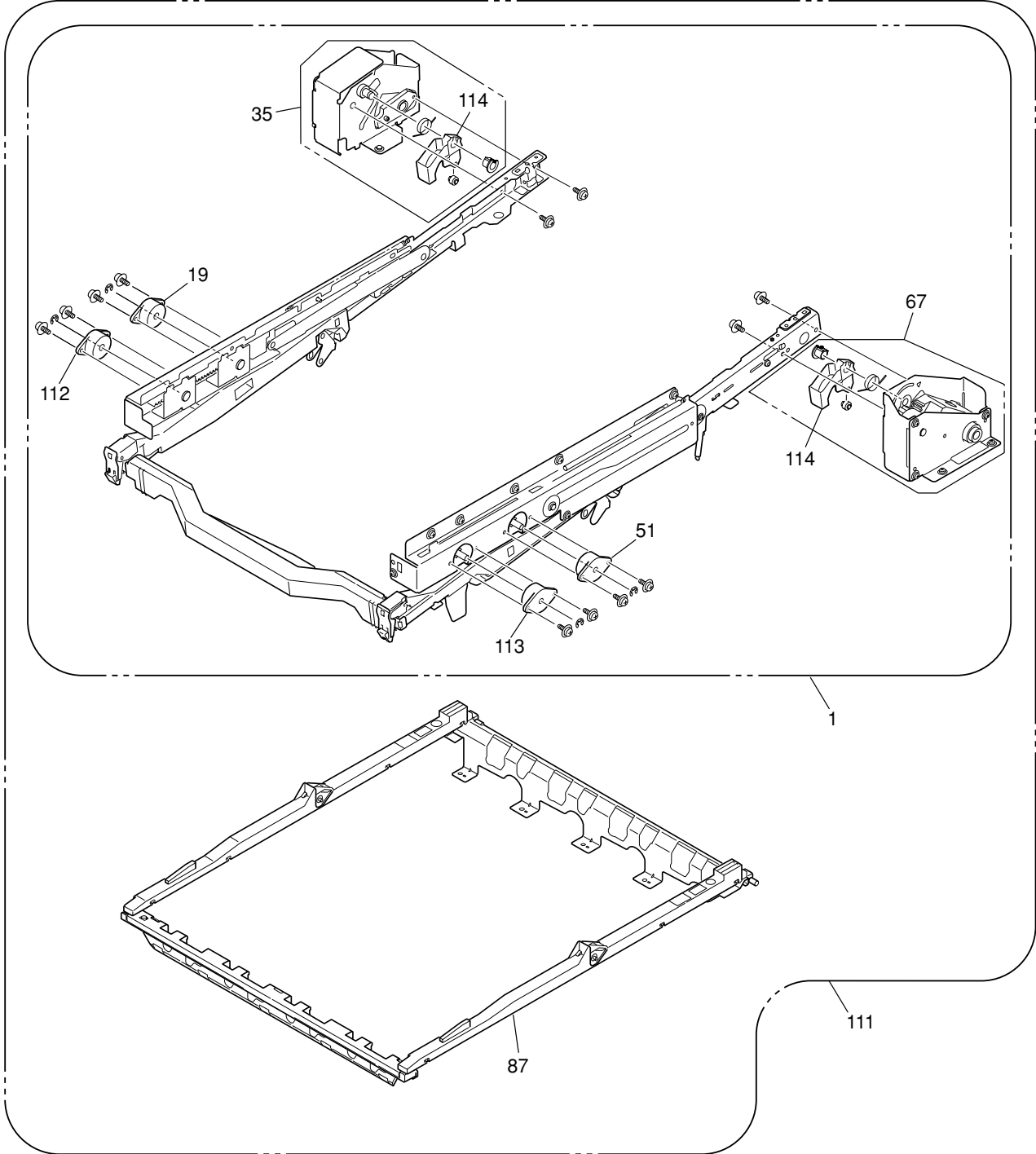


Job-Offset-Assy

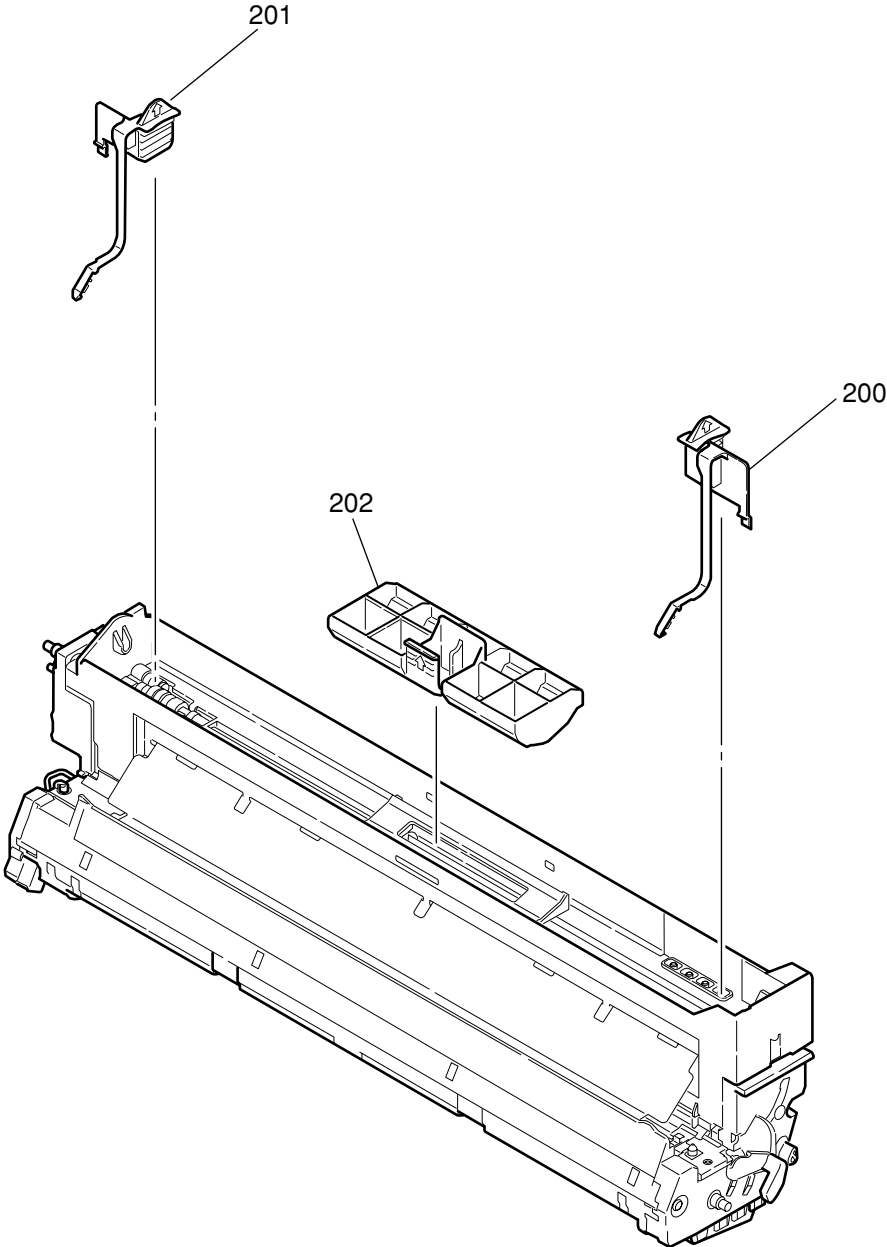




Basket-Assy



ID Unit



Rev	Unit Name	No.	Part No.	Part Name	Q'ty /Unit	Recommended Q'ty/Year			Remarks	Del/Add	Remarks for environment
						per 500	per 1000	per 2000			
	MAIN (42930501)	1	42710201	Cover-Blank (Dup)	1	3	6	12			
	MAIN (42930501)	2	42580201	LED Head-Unit-53MXF	4	12	24	48	600dpi		
	MAIN (42930501)	2	42579001	LED Head-Unit-63MXF	4	12	24	48	1200dpi		
	MAIN (42930501)	3	42764301	Spring-Head	8	24	48	96			
37	MAIN (42930501)	4	42868011	OR-S2V	1	3	6	12	600dpi or AB (ODA config). ODA/OEL/AOS/JPN		
	MAIN (42930501)	4	42868013	OR-S2V	1	3	6	12	1200dpi		
	MAIN (42930501)	5	42780701	Code-Clump	1	3	6	12			
41	MAIN (42930501)	6	44302801	Plate-Assy-HCB	1	3	6	12	Refer to ECO-C9650-012	A	
	MAIN (42930501)	7	42781301	Plate-Beam	1	3	6	12			
	MAIN (42930501)	8	42780901	Plate-Shield	1	3	6	12			
	MAIN (42930501)	9	42781101	Plate-Cover	1	3	6	12	1200dpi (Non-RoHS)		G
	MAIN (42930501)	12	42723001	Block-Lockout-723	1	3	6	12	C:ODA (GO) /OEL (Dealer) /A OS/JPN		
	MAIN (42930501)	13	42723002	Block-Lockout-723-2	1	3	6	12	M:ODA (GO) /OEL (Dealer) /A OS/JPN C:AOS (SIN)		
	MAIN (42930501)	14	42723003	Block-Lockout-723-3	1	3	6	12	Y:ODA (GO) /OEL (Dealer) /A OS/JPN C:POP M:AOS (SIN)		
	MAIN (42930501)	15	42723004	Block-Lockout-723-4	1	3	6	12	K:ODA (GO) /OEL (Dealer) /A OS/JPN M:POP Y:AOS (SIN)		
	MAIN (42930501)	16	42723005	Block-Lockout-723-5	1	3	6	12	C:ODA (BTA) /OEL (Pro) Y:POP K:AOS (SIN)		
	MAIN (42930501)	17	42723006	Block-Lockout-723-6	1	3	6	12	M:ODA (BTA) /OEL (Pro) K:POP		
	MAIN (42930501)	18	42723007	Block-Lockout-723-7	1	3	6	12	Y:ODA (BTA) /OEL (Pro) C:Korea A joo		
	MAIN (42930501)	19	42723008	Block-Lockout-723-8	1	3	6	12	K:ODA (BTA) /OEL (Pro) M:Korea A joo		
	MAIN (42930501)	38	43051901	Gasket-HCB	1	3	6	12			
	MAIN (42930501)	39	41501901	Indicator-Paper-Size (OKI)	1	3	6	12			
	MAIN (42930501)	40	42967901	Stopper-Paper	1	3	6	12			
	MAIN (42930501)	41	42703601	Case-Cassette-Assy.	1	3	6	12			
	MAIN (42930501)	42	42867001	OR-HMO	1	3	6	12	600dpi		G
	MAIN (42930501)	43	42807602	Board-ASP Maintenance	1	3	6	12	1200dpi (Non-RoHS)		
	MAIN (42930501)	44	8168301M0000	AT24C256-10PU-2.7	1	3	6	12	1200dpi (Non-RoHS)		
	MAIN (42930501)	47	4553010P0001	CR-2032/BT	1	3	6	12	1200dpi (Non-RoHS)		
	MAIN (42930501)	48	42010530	Board-OWF Spec.	1	3	6	12	600dpi PS/PCL (POP)		G
	MAIN (42930501)	57	42825802	WLAN option	1	3	6	12	Wireless NIC OEL 600dpi		G
	MAIN (42930501)	59	42921801	OR-HMK Assy	1	3	6	12	Soft NIC		G
	MAIN (42930501)	64	43036001	Plate-Interface Caulking	1	3	6	12	600dpi		
	MAIN (42930501)	65	43036002	Plate-Interface Caulking	1	3	6	12	1200dpi Non-RoHS		
	MAIN (42930501)	68	41254601	Plate-Blank	1	3	6	12	600dpi		
	MAIN (42930501)	69	42780601	Plate-Blank-N	1	3	6	12	600dpi/1200dpi		
	MAIN (42930501)	70	42854701	Plate-Blank-W	1	3	6	12	1200dpi (Non-RoHS)		
	MAIN (42930501)	74	42861201	Motor-Fan (CU)	1	3	6	12	600dpi		
	MAIN (42930501)	75	42861301	Motor-Fan (CU)	1	3	6	12	1200dpi (Non-RoHS)		
	MAIN (42930501)	76	42925201	Motor-Fan (CU)	1	3	6	12	1200dpi (Non-RoHS)		
	MAIN (42930501)	80	43037901	Gasket-Interface-A	1	3	6	12			
	MAIN (42930501)	81	43038001	Gasket-Interface-B	2	6	12	24			
	MAIN (42930501)	83	8165323M0000	M24C32-WBN6P	1	3	6	12	600dpi		G
	MAIN (42930501)	84	42887502	Board-BYN (PbF)	1	3	6	12	1200dpi MFP		
	MAIN (42930501)	121	43850701	Guide-Paper B6 Half	1	3	6	12	POP		
	MAIN (42930501)	122	42682901	Film-OP panel	1	1	2	4	C series (ODA/OEL/AOS)		
	MAIN (42930501)	122	42682904	Film-OP panel	1	1	2	4	ES series (OEL/AOS)		
41	MAIN (42930501)	125	44301701	Gasket-HCB	1	1	2	4	Refer to ECO-C9650-012	A	
	MAIN-(RoHS CU_Assy)	9	43456102	PX723 1200dpi-PBF CU Plate cover	1	3	6	12	1200dpi (RoHS)		
	MAIN-(RoHS CU_Assy)	43	43261801	AS2-Maintenance	1	3	6	12	1200dpi (RoHS)		
	MAIN-(RoHS CU_Assy)	47	4553002P0001	CR-2450/B	1	3	6	12	1200dpi (RoHS)		
	MAIN-(RoHS CU_Assy)	65	43036003	Plate-Interface AS2 Caulk	1	3	6	12	1200dpi (RoHS)		
	MAIN-(RoHS CU_Assy)	75	43364601	Motor-Fan (CU AS2)	1	3	6	12	1200dpi (RoHS)		
	MAIN-(RoHS CU_Assy)	76	43364601	Motor-Fan (CU AS2)	1	3	6	12	1200dpi (RoHS)		
	Printer-Unit (42692501)	1	42702301	Cover-Guide-1st-Assy.	1	3	6	12			
	Printer-Unit (42692501)	2	42702701	Guide-Paper	1	3	6	12			
	Printer-Unit (42692501)	5	42720801	Plate-Support-A	1	3	6	12			
	Printer-Unit (42692501)	6	42720901	Plate-Support-B-Assy	1	3	6	12			

Rev	Unit Name	No.	Part No.	Part Name	Q'ty /Unit	Recommended Q'ty/Year			Remarks	Del/Add	Remarks for environment
						per 500	per 1000	per 2000			
	Printer-Unit (42692501)	7	42721101	Plate-Support-C	1	3	6	12			
	Printer-Unit (42692501)	8	42985001	Motor-DC (ID)	4	12	24	48			
	Printer-Unit (42692501)	9	42864302	Motor-DC (FUSER)	1	3	6	12			
	Printer-Unit (42692501)	10	43800111	OR-S2P	1	3	6	12	for ALL models		G
	Printer-Unit (42692501)	16	2381004P0012	TW-VF-16-0.1X0.8-420	1	3	6	12			
	Printer-Unit (42692501)	17	2381028P0009	SMCD-40-160BD(1.0)	1	3	6	12			
	Printer-Unit (42692501)	18	2381028P0010	SMCD-30-160BD(1.0)	1	3	6	12			
	Printer-Unit (42692501)	20	42736301	Shaft-LiftUp	1	3	6	12			
	Printer-Unit (42692501)	22	42736101	Planet Assy.-F	1	3	6	12			
	Printer-Unit (42692501)	23	42705901	Frame-Holder	1	3	6	12			
	Printer-Unit (42692501)	25	42737101	Bracket-HV-Assy	1	3	6	12			
	Printer-Unit (42692501)	26	43130502	PWR unit-(High Voltage)-2	1	3	6	12			
	Printer-Unit (42692501)	27	42737601	Cover-HV- Assy. -	1	3	6	12	Assy (Include:No. 28-32)		
	Printer-Unit (42692501)	36	40135301	Photo-Interrupter	1	3	6	12			
	Printer-Unit (42692501)	37	42930101	Cover-Cable-Heat A	1	3	6	12			
	Printer-Unit (42692501)	38	42651701	CONN Cord-JST4P-JST4P	1	3	6	12	Parts included in No.189 This parts for the printer after following ECO is applied. ECO-C9600-104		
	Printer-Unit (42692501)	41	42738501	Gear-Duct-ID- Assy.	1	3	6	12	Assy (Include:No. 42-50)		
	Printer-Unit (42692501)	52	43709501	Duct-Gear-Assy-set	1	3	6	12	Assy (Include:No. 185-187)		
	Printer-Unit (42692501)	61	42749801	Plate Assy.-MPT Lock	1	3	6	12			
	Printer-Unit (42692501)	62	42754701	Sensor-Regist- Assy.	1	3	6	12	Assy (Include:No. 63-67)		G
	Printer-Unit (42692501)	64	42646501	CONN Cord-AMP2P-AMP2P	1	3	6	12	Q' ty/Assy		
	Printer-Unit (42692501)	67	42978901	Sensor-Regist-Sub-Assy	1	3	6	12	Assy (Include:No. 68-85)		G
	Printer-Unit (42692501)	73	42888701	OR-S2Z	1	3	6	12	Q' ty/Assy		G
	Printer-Unit (42692501)	74	5654200P0001	GP2TC2J000F	1	3	6	12	Q' ty/Assy		
	Printer-Unit (42692501)	76	42755401	Shutter- Assy. -	1	3	6	12	Q' ty/Assy		
	Printer-Unit (42692501)	77	42811301	TARUMI-Sensor Assy. -	1	3	6	12	Q' ty/Assy		
	Printer-Unit (42692501)	86	42756901	Motor-Pulse-Belt	1	3	6	12			
	Printer-Unit (42692501)	87	42757001	Gear-Idle-Belt	1	3	6	12			
	Printer-Unit (42692501)	92	43087701	OR-RFID read writer system	1	3	6	12			
	Printer-Unit (42692501)	93	2381028P0011	SMCD-9-560BD(1.0)	1	3	6	12			
	Printer-Unit (42692501)	95	43465402	Job-Offset (Maintenance)	1	3	6	12	Cover Assy.-Top(Sub) for maintenance		
	Printer-Unit (42692501)	96	42707301	Cover-Duct (L)	1	3	6	12			
	Printer-Unit (42692501)	97	42733401	Plate-Shaft-Base	1	3	6	12			
	Printer-Unit (42692501)	99	42703101	Cover-SNS	1	3	6	12			
	Printer-Unit (42692501)	108	42707401	Plate-Support (Top)	1	3	6	12			
	Printer-Unit (42692501)	110	42707601	Frame-Duct	1	3	6	12			

Rev	Unit Name	No.	Part No.	Part Name	Q'ty /Unit	Recommended Q'ty/Year			Remarks	Del/Add	Remarks for environment
						per 500	per 1000	per 2000			
	Printer-Unit (42692501)	111	42781701	Motor-Fan	1	3	6	12			
	Printer-Unit (42692501)	112	42894101	Gear-BKL2	1	3	6	12			
	Printer-Unit (42692501)	113	42894201	Gear-BKR2	1	3	6	12			
	Printer-Unit (42692501)	116	42780001	Plate-Shield-Box-Assy.	1	3	6	12			
	Printer-Unit (42692501)	118	42781701	Motor-Fan	1	3	6	12			
	Printer-Unit (42692501)	120	42708001	Cover Assy. -Top	1	3	6	12	Assy (Include No. 184)		
	Printer-Unit (42692501)	121	42708401	Spring-Comp (Joboff)	2	6	12	24			
	Printer-Unit (42692501)	122	42708501	Cover-Duct (R)	1	3	6	12			
	Printer-Unit (42692501)	123	42708601	Cover Assy. -Front	1	3	6	12			
	Printer-Unit (42692501)	124	42709001	Cover Assy. -FU	1	3	6	12			
	Printer-Unit (42692501)	125	42709401	Cover-Guard (L)	1	3	6	12			
	Printer-Unit (42692501)	126	42709501	Cover-Guard (Front)	1	3	6	12			
	Printer-Unit (42692501)	127	42709701	Cover-Side (L)	1	3	6	12			
	Printer-Unit (42692501)	128	42709801	Cover-Side (L) Rear	1	3	6	12			
	Printer-Unit (42692501)	129	42709901	Cover-Side (R)	1	3	6	12			
	Printer-Unit (42692501)	130	42710001	Cover-Side (R) Rear	1	3	6	12			
	Printer-Unit (42692501)	131	42710101	Cover-Rear	1	3	6	12			
	Printer-Unit (42692501)	132	42706001	Cover Assy. -OP Panel	1	3	6	12			G
	Printer-Unit (42692501)	133	42706701	Film-FG	1	3	6	12			
	Printer-Unit (42692501)	134	2381004P0013	TW-VF-6-0.1X0.8-930	1	3	6	12			
	Printer-Unit (42692501)	135	42919201	Guard-R	1	3	6	12			
	Printer-Unit (42692501)	142	2381037P0001	SMCD-20-370-AD-P1.0	1	3	6	12			
	Printer-Unit (42692501)	146	42970901	OR-HAL	2	6	12	24			
	Printer-Unit (42692501)	147	42706101	Cover-OP Panel	1	3	6	12			
	Printer-Unit (42692501)	153	42914601	Cover-Middle	1	3	6	12			
	Printer-Unit (42692501)	155	42744001	Cover-Snsor (S2S)	1	3	6	12			
	Printer-Unit (42692501)	161	43052901	Spring-Torsion-FG	1	3	6	12			
	Printer-Unit (42692501)	162	43054601	Plate-Holder-Detent-L	1	3	6	12			
	Printer-Unit (42692501)	163	43054701	Plate-Holder-Detent-R	1	3	6	12			
	Printer-Unit (42692501)	164	43054801	Lever-Detent	2	6	12	24			
	Printer-Unit (42692501)	165	43054901	Spring-Detent	2	6	12	24			
	Printer-Unit (42692501)	166	43055001	Post-Detent	2	6	12	24			
	Printer-Unit (42692501)	184	42967801	Cover-Blank (Top)	1	3	6	12	Parts included in No. 120		
	Printer-Unit (42692501)	186	42773201	Sponge-Cap	4	12	24	48	Parts included in No. 52		
	Printer-Unit (42692501)	187	42773401	Spring-Cap	4	12	24	48	Parts included in No. 52		
	Printer-Unit (42692501)	188	42707701	Shield-Gasket	1	3	6	12	Only 43360936 (C9800 TWN)		

Rev	Unit Name	No.	Part No.	Part Name	Q'ty /Unit	Recommended Q'ty/Year			Remarks	Del/Add	Remarks for environment
						per 500	per 1000	per 2000			
	Printer-Unit (42692501)	189	44034501	Fuser-AC-Cable-Maintenance-kit	1	3	6	12	Kit for maintenance. (Include:No. 38) This is a kit for the printer before following ECO is applied. ECO-C9600-104		
	Plate-Assy-Power (42703201)	2	42703401	Motor-Fan	1	3	6	12			
	Plate-Assy-Power (42703201)	4	42463101	PWR unit-ACDC Switch	1	3	6	12	100/120/230V		G
	Plate-Assy-Power (42703201)	5	43163301	PWR unit-ACDC Switch (230V)	1	3	6	12	230V		G
	Plate-Assy-Power (42703201)	5	43163302	PWR unit-ACDC Switch-2 (230V)	1	3	6	12	230V, 600pi for ODA/OEL Only		G
	Plate-Assy-Power (42703201)	13	42703202	Plate Assy.-Power PX-723 (230V)	1	3	6	12	230V		G
	Plate-Assy-Power (42703201)	13	42703204	Plate-Assy-Power-PX723MLK 230V	1	3	6	12	230V, 600pi for ODA/OEL Only		G
	Base-Assy (42692601)	4	2201000P0140	9714N-14Z02-G4C	1	3	6	12	Q'ty/Assy		
	Base-Assy (42692601)	11	42693501	Cover-switch	1	3	6	12			
	Base-Assy (42692601)	13	42693701	Switch-AC	1	3	6	12			
	Base-Assy (42692601)	14	42693801	Link-Switch	1	3	6	12			
	Base-Assy (42692601)	17	42694101	Sensor Assy.-	1	3	6	12	Assy (Include:No. 18-20)		
	Base-Assy (42692601)	23	42694601	Gear-Motor (1st)	1	3	6	12			
	Base-Assy (42692601)	26	42695101	Lock-Cassette	1	3	6	12			
	Base-Assy (42692601)	31	42695701	Gear-Hopping-Z68-19	1	3	6	12			
	Base-Assy (42692601)	32	42695801	Gear-Idle-Retard	1	3	6	12			
	Base-Assy (42692601)	33	42695901	Gear-Feed-Z53-18	1	3	6	12			
	Base-Assy (42692601)	34	42696001	Gear-Idle-Z48	1	3	6	12			
	Base-Assy (42692601)	35	42629401	Motor-Pulse-Fuser	1	3	6	12			
	Base-Assy (42692601)	36	42890201	Motor-Pulse-Regist	1	3	6	12			
	Base-Assy (42692601)	47	42698001	Gear-Z38 (oneway)	1	3	6	12			
	Base-Assy (42692601)	51	42698201	Guide-Paper-Lower	1	3	6	12			
	Base-Assy (42692601)	55	42988601	Torque-Limiter-OTLV	1	3	6	12			
	Base-Assy (42692601)	56	41766501	Roller-Feed	1	3	6	12			
	Base-Assy (42692601)	58	42699001	Roller Assy.-Pick-Up	1	3	6	12	Assy (Include:No. 59-62)		
	Base-Assy (42692601)	62	42699401	Roller-Pick-Up	1	3	6	12	Q'ty/Assy		
	Base-Assy (42692601)	63	42699601	Frame Assy.-Feed	1	3	6	12	Assy (Include:No. 63-71)		
	Base-Assy (42692601)	72	42700601	Roller-Regist1	1	3	6	12			
	Base-Assy (42692601)	73	40301801	Gear-Regist	1	3	6	12			
	Base-Assy (42692601)	74	42700801	Roller-Pressure1	1	3	6	12			
	Base-Assy (42692601)	75	41066801	Gear-PRB	1	3	6	12			
	Base-Assy (42692601)	78	42698001	Gear-Z38 (oneway)	1	3	6	12			
	Base-Assy (42692601)	80	42701201	Gear-Feed	1	3	6	12			
	Base-Assy (42692601)	81	43000601	Roller-Feed-NOW	1	3	6	12			
	Base-Assy (42692601)	83	42701501	Spring-PickUp	1	3	6	12			
	Base-Assy (42692601)	84	42701601	Spring-Release	1	3	6	12			
	Base-Assy (42692601)	86	42701801	Spring-Regist	2	6	12	24			
	Base-Assy (42692601)	87	42863401	Gear-Assy-Clutch	1	3	6	12			
	Base-Assy (42692601)	89	40135301	Photo-Interrupter	4	12	24	48			
	Base-Assy (42692601)	94	42999001	Spring-FG-CL1	1	3	6	12			
	Base-Assy (42692601)	97	42868401	OR-S2C	1	3	6	12			
	Base-Assy (42692601)	116	42692601	Base-Assy	1	3	6	12			
	Side-R-Assy (42721201)	2	42839601	Guide-Bracket-FU	1	3	6	12			
	Side-R-Assy (42721201)	5	42724601	Gear-idle (Z39)	5	15	30	60			
	Side-R-Assy (42721201)	6	42724801	Gear-Idle (Z44)	1	3	6	12			
	Side-R-Assy (42721201)	11	42729901	Slider-Liftup-R	1	3	6	12			
	Side-R-Assy (42721201)	13	42730101	Gear-Idle-Link	4	12	24	48			
	Side-R-Assy (42721201)	14	42730301	Planet Assy.-R	1	3	6	12			
	Side-R-Assy (42721201)	15	42828301	Gear-Idle-Liftup-Z20-30	1	3	6	12			
	Side-R-Assy (42721201)	16	42730701	Gear-Idle-Lift-UP-Z37	1	3	6	12			
	Side-R-Assy (42721201)	20	42732301	Guide-Rear	1	3	6	12			
	Side-R-Assy (42721201)	21	42868301	OR-SGG	1	3	6	12			G
	Side-R-Assy (42721201)	22	42863901	Motor-Pulse (Toner-Shutter)	1	3	6	12			

Rev	Unit Name	No.	Part No.	Part Name	Q'ty /Unit	Recommended Q'ty/Year			Remarks	Del/Add	Remarks for environment
						per 500	per 1000	per 2000			
	Side-R-Assy (42721201)	25	42732601	Gear-Z14-42	2	6	12	24			
	Side-R-Assy (42721201)	26	42732701	Gear-Z14-35	2	6	12	24			
	Side-R-Assy (42721201)	27	42732801	Camshat	2	6	12	24			
	Side-R-Assy (42721201)	28	42732901	Spring-ID-Fuse	12	36	72	144			
	Side-R-Assy (42721201)	29	42733001	Spring-FG	1	3	6	12			
	Side-R-Assy (42721201)	30	43027601	Spring-Press-FG	2	6	12	24			
	Side-R-Assy (42721201)	33	42960701	Gear-Idle-Drum	4	12	24	48			
	Side-R-Assy (42721201)	48	42743801	Motor-Fan	1	3	6	12			
	Side-R-Assy (42721201)	50	42983401	CONN Cord-JST5P-SW	1	3	6	12			
	Side-R-Assy (42721201)	53	43049801	Gear-Z77-FU	1	3	6	12			
	Side-R-Assy (42721201)	54	43049901	Gear-Z47-FU	1	3	6	12			
	Side-R-Assy (42721201)	57	43050201	Gear-Z20-FU	1	3	6	12			
	Side-R-Assy (42721201)	58	43050301	Gear-Z17-FU	1	3	6	12			
	Side-R-Assy (42721201)	59	43050401	Gear-Z16-FU	1	3	6	12			
	Side-R-Assy (42721201)	71	42721201	Side-R-Assy	1	3	6	12			G
	Side-R-Assy (42721201)	72	43972101	Plate-Planet-Assy	1	3	6	12			
	Side-F-Assy (42734801)	4	42735701	Slider-LiftUP-F	1	3	6	12			
	Side-F-Assy (42734801)	6	42730101	Gear-Idle-Link	4	12	24	48			
	Side-F-Assy (42734801)	8	42650501	CONN Cord-AMP2P-SW	1	3	6	12			
	Side-F-Assy (42734801)	9	42970901	OR-HAL	1	3	6	12			
	Side-F-Assy (42734801)	11	43056301	Spring-FG-SW-F	1	3	6	12			
	Side-F-Assy (42734801)	15	42736601	Holder-Cover-Open-SW	1	3	6	12			
	Side-F-Assy (42734801)	18	42538001	CONN Cord-JST2P-SW	1	3	6	12			
	Side-F-Assy (42734801)	20	42709601	Cover-Guard (R)	1	3	6	12			
	Side-F-Assy (42734801)	21	42970901	OR-HAL	1	3	6	12			
	Side-F-Assy (42734801)	23	42763302	Motor-Fan	1	3	6	12			
	Side-F-Assy (42734801)	35	42734801	Side-F-Assy	1	3	6	12			
	Duct-Drive-Assy (42740001)	3	42892401	Motor-DC (DISTONER)	1	3	6	12			
	Duct-Drive-Assy (42740001)	5	42913701	Gear-WT-Z18-Z20	1	3	6	12			
	Duct-Drive-Assy (42740001)	6	42978701	Gear-WT-Z30	1	3	6	12			
	Duct-Drive-Assy (42740001)	7	42913901	Gear-WT-Z15-Z21	1	3	6	12			
	Duct-Drive-Assy (42740001)	8	42914301	Gear-WT-Z56	1	3	6	12			
	Duct-Drive-Assy (42740001)	9	42914401	Gear-WT-Z18-Z25	1	3	6	12			
	Duct-Drive-Assy (42740001)	12	42967201	Gear-WT-Z14	1	3	6	12			
	Duct-Drive-Assy (42740001)	13	42740001	Duct-Drive- Assy.	1	3	6	12			
	FDR-Unit-Regist (42743001)	7	42868201	OR-S2S	1	3	6	12			G
	FDR-Unit-Regist (42743001)	8	40135301	Photo-Interrupter	1	3	6	12			
	FDR-Unit-Regist (42743001)	12	42978801	Gear-Connection-Z21	1	3	6	12			
	FDR-Unit-Regist (42743001)	13	42913101	Gear-Connection-Z14	1	3	6	12			

Rev	Unit Name	No.	Part No.	Part Name	Q'ty /Unit	Recommended Q'ty/Year			Remarks	Del/Add	Remarks for environment
						per 500	per 1000	per 2000			
	FDR-Unit-Regist (42743001)	16	42739201	Gear-Idle-D	2	6	12	24			
	FDR-Unit-Regist (42743001)	23	43589701	Gear-Coupling-A-Kit_for_Mainte.	1	3	6	12	Kit for maintenance. When this parts are maintaining exchanged, No.113 is recommended to be executed at the same time.		
	FDR-Unit-Regist (42743001)	24	42973101	Plate Assy. - Link (Front)	1	3	6	12	Assy (Include:No. 25-29)		
	FDR-Unit-Regist (42743001)	30	42745001	Gear-Wheel (Z30)-Front	1	3	6	12			
	FDR-Unit-Regist (42743001)	31	42746301	Gear-Idle (Z16)	1	3	6	12			
	FDR-Unit-Regist (42743001)	32	42739201	Gear-Idle-D	1	3	6	12			
	FDR-Unit-Regist (42743001)	36	42747201	Roller-Feed (M)	1	3	6	12			
	FDR-Unit-Regist (42743001)	37	42747301	Roller-Pressure (M)	1	3	6	12			
	FDR-Unit-Regist (42743001)	39	42747401	Gear-OnewayBevel (Z20)	1	3	6	12			
	FDR-Unit-Regist (42743001)	40	42747402	Gear-OnewayBevel (Z20)	1	3	6	12			
	FDR-Unit-Regist (42743001)	41	42747601	Gear-Feed-Z36	1	3	6	12			
	FDR-Unit-Regist (42743001)	42	42973701	Plate Assy. - Link (Rear)	1	3	6	12	Assy (Include:No. 43-49)		
	FDR-Unit-Regist (42743001)	50	42745801	Gear-Idle (Z37)	1	3	6	12			
	FDR-Unit-Regist (42743001)	54	42747901	Roller-Regist (2)	1	3	6	12			
	FDR-Unit-Regist (42743001)	55	42748001	Roller-Pressure (2)	1	3	6	12			
	FDR-Unit-Regist (42743001)	56	40301801	Gear-Regist	1	3	6	12			
	FDR-Unit-Regist (42743001)	57	41066801	Gear-PRB	1	3	6	12			
	FDR-Unit-Regist (42743001)	66	42748801	Gear-SH1	1	3	6	12			
	FDR-Unit-Regist (42743001)	67	42748901	Gear-SH2	1	3	6	12			
	FDR-Unit-Regist (42743001)	68	42749001	Gear-SH3	2	6	12	24			
	FDR-Unit-Regist (42743001)	74	5655000P0001	D6E-110-K	1	3	6	12			
	FDR-Unit-Regist (42743001)	80	5602002P0001	HSU-06A1T1	1	3	6	12			G
	FDR-Unit-Regist (42743001)	85	43003201	Gear Assy. -CL (Reg2)	1	3	6	12			
	FDR-Unit-Regist (42743001)	89	42913401	Gear-Connection-Z18	2	6	12	24			
	FDR-Unit-Regist (42743001)	111	42743001	FDR Unit-Regist	1	3	6	12			G
	FDR-Unit-Regist (42743001)	112	43437501	Limiter-Torque-500	1	3	6	12	Parts included in No. 113		
	FDR-Unit-Regist (42743001)	113	43771001	Gear-Limiter-Kit_for_Mainte	1	3	6	12	Kit for maintenance. (Include:No. 112) This is a kit for the printer before following ECO is applied. ECO-C9600-041, ECO-C9800-017		
	FDR-Unit-MPT (42750401)	2	40135301	Photo-Interrupter	1	3	6	12			
	FDR-Unit-MPT (42750401)	3	41842802	Photointerrupter (REWORK)	1	3	6	12			
	FDR-Unit-MPT (42750401)	4	42750601	Lever-Handle-MPT	1	3	6	12			
	FDR-Unit-MPT (42750401)	10	43012701	Guide Assy. -Friction	1	3	6	12			
	FDR-Unit-MPT (42750401)	16	43013001	Roller-Feed	1	3	6	12			
	FDR-Unit-MPT (42750401)	18	42745201	Gear-Link (Z27) Front	1	3	6	12			



Rev	Unit Name	No.	Part No.	Part Name	Q'ty /Unit	Recommended Q'ty/Year			Remarks	Del/Add	Remarks for environment
						per 500	per 1000	per 2000			
	FDR-Unit-MPT (42750401)	24	42810001	Gear-Link (Z27)Rear	1	3	6	12			
	FDR-Unit-MPT (42750401)	25	42961501	Gear-Link-Z12	2	6	12	24			
	FDR-Unit-MPT (42750401)	32	40135301	Photo-Interrupter	1	3	6	12			
	FDR-Unit-MPT (42750401)	36	40135301	Photo-Interrupter	1	3	6	12			
	FDR-Unit-MPT (42750401)	42	42052001	Gear-Planet (Z20) -HP	1	3	6	12			
	FDR-Unit-MPT (42750401)	43	42954401	Roller Assy. -Pickup	1	3	6	12			
	FDR-Unit-MPT (42750401)	50	42752801	Gear-Oneway (Z38/Z53)	1	3	6	12			
	FDR-Unit-MPT (42750401)	51	42752901	Gear-Feed (Z25)	1	3	6	12			
	FDR-Unit-MPT (42750401)	53	42701302	Roller-Feed (0W)	1	3	6	12			
	FDR-Unit-MPT (42750401)	54	42852801	Guide-Cable	1	1	2	4			
	FDR-Unit-MPT (42750401)	55	42753701	Hopper Assy. -MPT	1	3	6	12	Assy (Include:No. 56-59, 69-71, 88-90)		
	FDR-Unit-MPT (42750401)	59	42934701	Sheet-Recieve-Assy.	1	3	6	12	Assy (Include:No. 60-68)		
	FDR-Unit-MPT (42750401)	93	42750401	FDR Unit-MPT	1	3	6	12			
	Eject-Assy (42757101)	1	42757501	Guide-Eject-Assy	1	3	6	12	Assy (Include:No. 2-35)		G
	Eject-Assy (42757101)	3	42757401	Roller-Eject	3	9	18	36	Q' ty/Assy		
	Eject-Assy (42757101)	6	42757801	Gear-Eject_Z17	3	9	18	36	Q' ty/Assy		
	Eject-Assy (42757101)	7	42757901	Roller-Pinch-Eject	3	9	18	36	Q' ty/Assy		
	Eject-Assy (42757101)	13	40135301	Photo-Interrupter	1	3	6	12	Q' ty/Assy		
	Eject-Assy (42757101)	17	42758801	DC-Solenoid-10SL	1	3	6	12	Q' ty/Assy		
	Eject-Assy (42757101)	18	42758901	Guide-Sheet-FU-Assy	1	3	6	12	Assy (Include:No. 19-23)		
	Eject-Assy (42757101)	20	42759101	Roller Assy. -FU	3	9	18	36	Q' ty/Assy		
	Eject-Assy (42757101)	30	42760201	Gear-Idle-Eject-Z54	1	3	6	12	Q' ty/Assy		
	Eject-Assy (42757101)	31	42760301	GEAR-IDLE-Eject_Z27	2	6	12	24	Q' ty/Assy		
	Eject-Assy (42757101)	32	40135301	Photo-Interrupter	3	9	18	36	Q' ty/Assy		
	Eject-Assy (42757101)	33	42868501	OR-S2R	1	3	6	12	Q' ty/Assy		G
	Eject-Assy (42757101)	36	42760401	Guide-Eject-Outer-Assy. -	1	3	6	12	Assy (Include:No. 37-42)		
	Eject-Assy (42757101)	43	42760801	Cover-Eject-Auter-Assy	1	3	6	12	Assy (Include:No. 44-47)		
	Eject-Assy (42757101)	45	42757901	Roller-Pinch-Eject	3	9	18	36	Q' ty/Assy		
	Eject-Assy (42757101)	59	42757101	Eject-Unit	1	3	6	12			G
	Eject-Assy (42757101)	60	42759301	Lever-Exit Sensor	1	3	6	12			
	Eject-Assy (42757101)	61	42758301	Holder-Lever	1	3	6	12			
41	Eject-Assy (42757101)	62	40386501	Spring-SNS (F/R)	1	3	6	12		A	
	Plate-Top-Assy (42761401)	4	42763301	Motor-Fan	1	3	6	12			
	Plate-Top-Assy (42761401)	6	42763801	Holder-Head- Assy. -	4	12	24	48	Assy (Include:No. 7-19)		
41	Plate-Top-Assy (42761401)	21	42834501	CONN Cord-JST10P-JST10P	2	6	12	24	For K/Y Head (Refer to ECO-C9650-012)		
41	Plate-Top-Assy (42761401)	22	42834502	CONN Cord-JST10P-JST10P	2	6	12	24	For M/C Head (Refer to ECO-C9650-012)		
	Plate-Top-Assy (42761401)	25	42762201	Gear-Damper-TOP	2	6	12	24			
	Plate-Top-Assy (42761401)	28	42857301	Gear-LED2	2	6	12	24			
	Plate-Top-Assy (42761401)	29	42857401	Gear-LED3	4	12	24	48			
	Plate-Top-Assy (42761401)	34	42868601	OR-S2H	1	3	6	12			
41	Plate-Top-Assy (42761401)	50	42761406	Plate-Top-Assy-MXF2	1	3	6	12		A	
	Plate-Top-Assy (42761401)	51	43318501	Spring-Tension-F	4	12	24	48			
41	Plate-Top-Assy (42761401)	52	44302901	Plate-Assy-HCT	2	6	12	24	Refer to ECO-C9650-012	A	
41	Plate-Top-Assy (42761401)	53	42764001	Clump-Cable-Head	4	12	24	48		A	
41	Plate-Top-Assy (42761401)	54	LP-6401-B1	TYING CORD	5	15	30	60		A	
	Job-Offset-Assy (42765101)	2	42760301	GEAR-IDLE-Eject_Z27	2	6	12	24			

Rev	Unit Name	No.	Part No.	Part Name	Q'ty /Unit	Recommended Q'ty/Year			Remarks	Del/Add	Remarks for environment
						per 500	per 1000	per 2000			
	Job-Offset-Assy (42765101)	3	42809001	Pipe-Assy-Drive_723	1	3	6	12			
	Job-Offset-Assy (42765101)	3	42809002	Pipe-Assy-Drive_723-2	1	3	6	12	for ODA/OEL/AOS (ECO-C9600-092)		
	Job-Offset-Assy (42765101)	4	42765801	Pipe-Assy-Driven_723	1	3	6	12			
	Job-Offset-Assy (42765101)	4	42765802	Pipe-Assy-Driven_723-2	1	3	6	12	for ODA/OEL/AOS (ECO-C9600-092)		
	Job-Offset-Assy (42765101)	6	43034301	Gear-Drive	1	3	6	12			
	Job-Offset-Assy (42765101)	7	41351101	Gear-Driven	1	3	6	12			
	Job-Offset-Assy (42765101)	24	42767501	Lever-Stacker-Full-FD	1	3	6	12			
	Job-Offset-Assy (42765101)	25	42767601	Lever-Stacker-Full-Sub	1	3	6	12			
	Job-Offset-Assy (42765101)	31	43465403	Job-Offset (Maintenance)	1	3	6	12	For the device after SL3-2475 is applied. (This parts are only Job-Offset-Assy.)		
	Job-Offset-Assy (42765101)	31	42765103	Job-Offset-Assy. -723-2	1	3	6	12	for ODA/OEL/AOS (Detail=ECO-C9600-092) For the device after SL3-2475 is applied.		
	Job-Offset-Assy (42765101)	31	43465401	Job-Offset (Maintenance)	1	3	6	12	For the device before SL3-2475 is applied. (This parts include Cover-Assy-Top (Sub) : 42707001)		
	Basket-Assy (42768901)	1	42769001	Basket-Main-Assy	1	3	6	12	Assy (Include: No. 2-17, 49, 81-86)		
	Basket-Assy (42768901)	19	42919302	One-Way-Hinge-L	1	3	6	12	3.0kg		
	Basket-Assy (42768901)	35	42774401	Gear Assy. -L	1	3	6	12	Assy (Include: No. 114)		
	Basket-Assy (42768901)	51	42919402	One-Way-Hinge-R	1	3	6	12	3.0kg		
	Basket-Assy (42768901)	67	42777401	Gear Assy. -R	1	3	6	12	Assy (Include: No. 114)		
	Basket-Assy (42768901)	87	42771801	Basket-Inner- Assy. -	1	3	6	12	Assy (Include: No. 88-97)		
	Basket-Assy (42768901)	111	42768901	Basket-Assy	1	3	6	12			
	Basket-Assy (42768901)	112	42919303	One-Way-Hinge-L	1	3	6	12	4.0kg		
	Basket-Assy (42768901)	113	42919403	One-Way-Hinge-R	1	3	6	12	4.0kg		
	Basket-Assy (42768901)	114	42918301	Plate-Limiter	2	6	12	24	Parts included in No. 35 and 67		
	ID Unit	200	42729301	Key Release L	4	12	24	48			
	ID Unit	201	42729401	Key Release R	4	12	24	48			
	ID Unit	202	42729501	Cap-Mouth	4	12	24	48			