

Figure 8-1-1/3

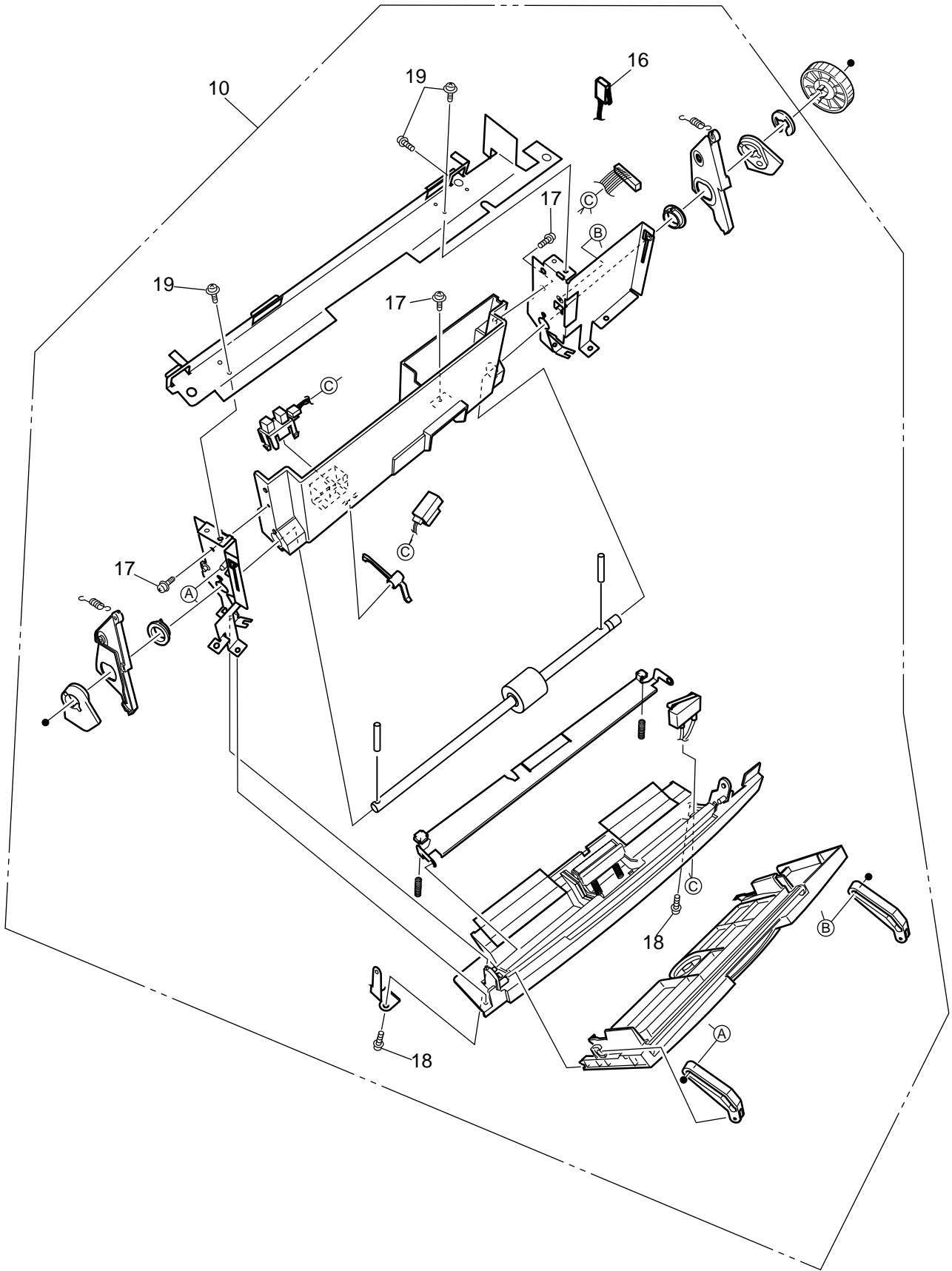
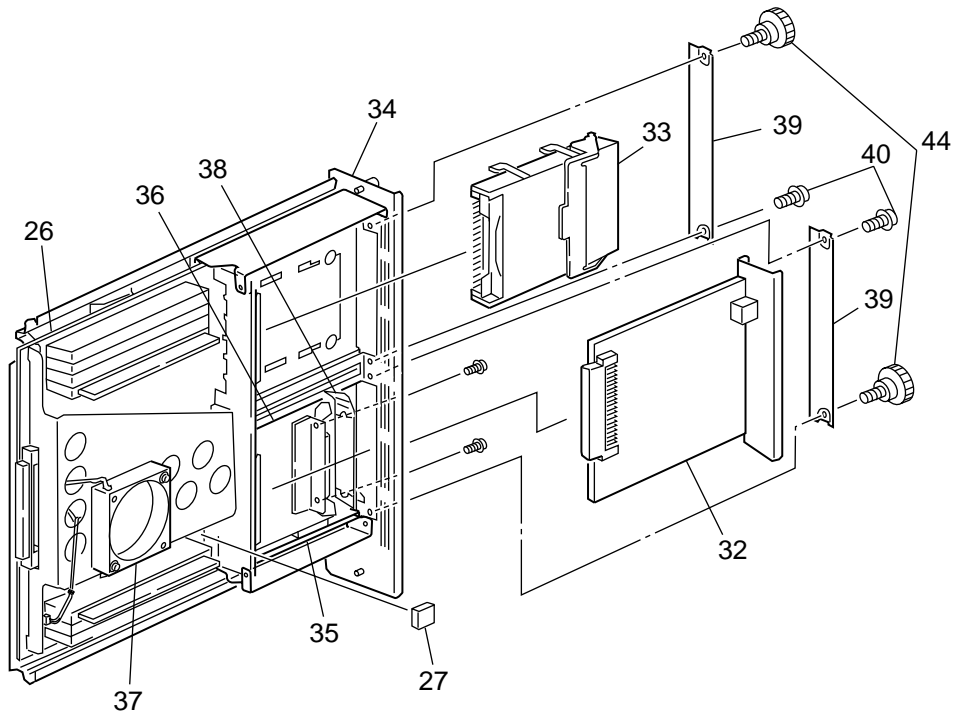


Figure 8-1-2/3



Board Assy.-CU(Maintenance) 34 [41848501] consists of a set of a bracket to support Motor Fan 37 (41410201), a sheet metal to secure PCB Assy-SWA 26 (41716819, 41716820), a gasket bonded to that sheet metal, and screws (attached to the assembly).

The number 26 (PCB Assy-SWA [41716819, 41716820]), which must be replaced together with the metal and its grouped parts in 34, is given a set of part Nos., i.e. the No. of the discrete PCB and the No. of the metal.

Figure 8-1-3/3

Main Assembly

No.	Patrs No.	Name	Q'ty /Unit	Recommended Q'ty/Year			Remarks
				per 500	per 1000	per 2000	
1	41481201	Cover Assy-R	1	3	6	12	
2	41484905	Cassette Assy	1	3	6	12	
3	41353701	Cover-Front-CS	1	3	6	12	
4	41277901	Cover-Blank	1	3	6	12	
5	41276401	Cover-Front	1	3	6	12	
6	41277401	Cover-Side(L)	1	3	6	12	
7	41484201	Stacker-Face-Up Assy	1	3	6	12	
8	41276501	Cover-Rear	1	3	6	12	
9	41484601	Cover-Assy MT	1	3	6	12	
10	41493001	MPT Assy-703	1	3	6	12	
11	41297101	Plate-Top	1	3	6	12	
12	40325101	Gear-Z68	2	6	12	24	
13	41278001	Frame-Top	1	3	6	12	
14	41515108	Print Engine Controller PWB	1	3	6	12	1200dpi
	41515112	Print Engine Controller PWB	1	3	6	12	600dpi
15	41490702	Motor-Fan(80)	1	3	6	12	
16	41275702	Microswitch-Assy	1	3	6	12	
17	4PB4083-2500P008	Screw (T3×8)	20	-	-	-	
18	4PB4013-3100P008	Screw (M3×8)	2	-	-	-	
19	4PB4083-2500P010	Screw (T3×10)	24	-	-	-	
20	816A2323M0000	EEPROM	1	3	6	12	
21	4PB4013-3100P006	Screw (M3×6)	31	40	80	120	
22	41531401	Fuser-Unit	1	3	6	12	ODA(120V)
	41531405	Fuser-Unit	1	3	6	12	OEL/APS
	41531403	Fuser-Unit	1	3	6	12	ODA(230V)
23	41531501	Belt-Unit	1	3	6	12	ODA
	41531503	Belt-Unit	1	3	6	12	OEL/APS
24	41514705	ID-Y Type C3	1	-	-	-	ODA
	41514706	ID-M Type C3	1	-	-	-	ODA
	41514707	ID-C Type C3	1	-	-	-	ODA
	41514708	ID-K Type C3	1	-	-	-	ODA
	41514709	ID-Y Type C3	1	-	-	-	OEL
	41514710	ID-M Type C3	1	-	-	-	OEL
	41514711	ID-C Type C3	1	-	-	-	OEL
	41514712	ID-K Type C3	1	-	-	-	OEL

Table 8-1-2/3

No.	Patrs No.	Name	Q'ty /Unit	Recommended Q'ty/Year			Remarks
				per 500	per 1000	per 2000	
24	41514721	ID-Y Type C3	1	-	-	-	APS
	41514722	ID-M Type C3	1	-	-	-	APS
	41514723	ID-C Type C3	1	-	-	-	APS
	41514724	ID-K Type C3	1	-	-	-	APS
25	41515205	Toner-Cartridge_Type_C3_Y (15K)	1	-	-	-	ODA
	41515206	Toner-Cartridge_Type_C3_M (15K)	1	-	-	-	ODA
	41515207	Toner-Cartridge_Type_C3_C (15K)	1	-	-	-	ODA
	41515208	Toner-Cartridge_Type_C3_K (15K)	1	-	-	-	ODA
	41515209	Toner-Cartridge_Type_C3_Y (15K)	1	-	-	-	OEL
	41515210	Toner-Cartridge_Type_C3_M (15K)	1	-	-	-	OEL
	41515211	Toner-Cartridge_Type_C3_C (15K)	1	-	-	-	OEL
	41515212	Toner-Cartridge_Type_C3_K (15K)	1	-	-	-	OEL
	41515213	Toner-Cartridge_Type_C3_Y (15K)	1	-	-	-	APS
	41515214	Toner-Cartridge_Type_C3_M (15K)	1	-	-	-	APS
	41515215	Toner-Cartridge_Type_C3_C (15K)	1	-	-	-	APS
	41515216	Toner-Cartridge_Type_C3_K (15K)	1	-	-	-	APS
	41515305	Toner-Cartridge_Type_C3_Y (7.5K)	1	-	-	-	ODA
	41515306	Toner-Cartridge_Type_C3_M (7.5K)	1	-	-	-	ODA
	41515307	Toner-Cartridge_Type_C3_C (7.5K)	1	-	-	-	ODA
	41515308	Toner-Cartridge_Type_C3_K (7.5K)	1	-	-	-	ODA
	41515309	Toner-Cartridge_Type_C3_Y (7.5K)	1	-	-	-	OEL
	41515310	Toner-Cartridge_Type_C3_M (7.5K)	1	-	-	-	OEL
	41515311	Toner-Cartridge_Type_C3_C (7.5K)	1	-	-	-	OEL
	41515312	Toner-Cartridge_Type_C3_K (7.5K)	1	-	-	-	OEL
	41515313	Toner-Cartridge_Type_C3_Y (7.5K)	1	-	-	-	APS
	41515314	Toner-Cartridge_Type_C3_M (7.5K)	1	-	-	-	APS
	41515315	Toner-Cartridge_Type_C3_C (7.5K)	1	-	-	-	APS
	41515316	Toner-Cartridge_Type_C3_K (7.5K)	1	-	-	-	APS
26	41716819	PCB Assy-SWA	1	3	6	12	1200dpi
	41716820	PCB Assy-SWA	1	3	6	12	600dpi
27	8164323M0000	EEPROM(CU)	1	3	6	12	
28	41469504	Board-TNY	1	3	6	12	
29							

No.	Patrs No.	Name	Q'ty /Unit	Recommended Q'ty/Year			Remarks
				per 500	per 1000	per 2000	
30	41437418	Board-Memory 64MB	1	3	6	12	600dpi-ODA
	41437414	Board-Memory 64MB	1	3	6	12	600dpi-OEL
	41437410	Board-Memory 64MB	1	3	6	12	600dpi-APS
	41437419	Board-Memory 128MB	1	3	6	12	600dpi Duplex- ODA,1200dpi-ODA
	41437415	Board-Memory 128MB	1	3	6	12	600dpi Duplex- OEL,1200dpi-OEL
	41437411	Board-Memory 128MB	1	3	6	12	600dpi Duplex- APS,1200dpi-APS
	41437420	Board-Memory 256MB	1	3	6	12	1200dpi Duplex-ODA
	41437416	Board-Memory 256MB	1	3	6	12	1200dpi Duplex-OEL
	41437412	Board-Memory 256MB	1	3	6	12	1200dpi Duplex-APS
31	41437418	Board-Memory 64MB	1	3	6	12	1200dpi-ODA
	41437414	Board-Memory 64MB	1	3	6	12	1200dpi-OEL
	41437410	Board-Memory 64MB	1	3	6	12	1200dpi-APS
32	41376902	Board-MLETB09	(1)	(3)	(6)	(12)	Option-OEL
	41437302	Board-MLETB09	(1)	(3)	(6)	(12)	Option-APS
33	41376005	HDD Assy	(1)	(3)	(6)	(12)	Option-ODA
	41376004	HDD Assy	(1)	(3)	(6)	(12)	Option-OEL
	41376002	HDD Assy	(1)	(3)	(6)	(12)	Option-APS
34	41848501	Board Assy.-CU(Maintenance)	1	3	6	12	
35	41278601	Guide -Rail(A)	2	6	12	28	
36	41278701	Guide -Rail(B)	1	3	6	12	
37	41410201	Motor-Fan	1	3	6	12	
38	41467401	Plate-FG(Centro)	1	3	6	12	
39	41254601	Plate-blank	2	6	12	28	
40	41278401	Screw	2	5	10	20	
41	41366501	Limiter-2Way(Front)	1	3	6	12	
42	41366601	Limiter-2Way(Rear)	1	3	6	12	
43							
44	41704201	Screw	2	-	-	-	

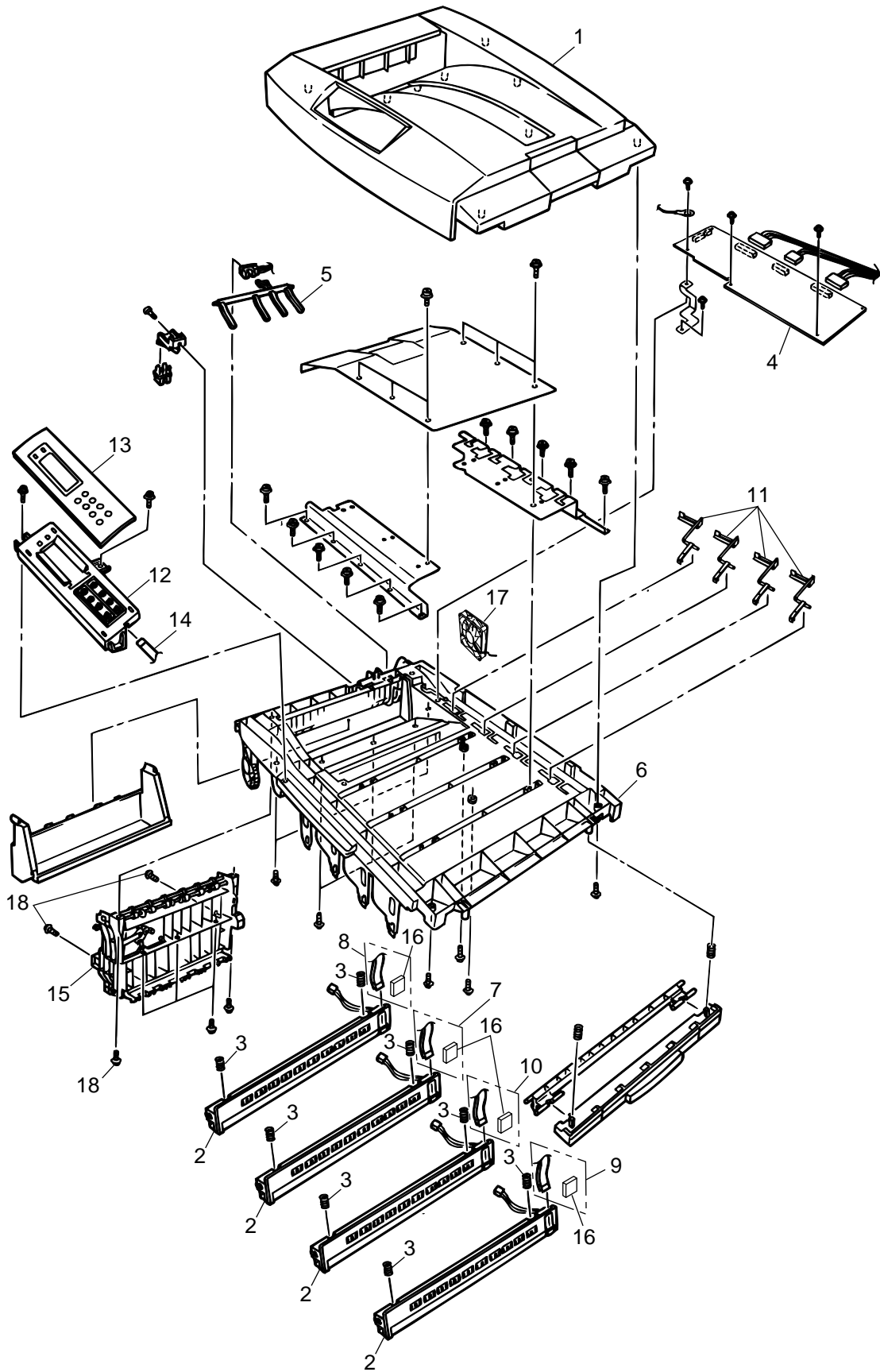


Figure 8-2

Top Cover Assembly

No.	Parts No.	Name	Q'ty /Unit	Recommended Q'ty/Year			Remarks
				per 500	per 1000	per 2000	
1	41484401	Cover Assy-Stacker	1	3	6	12	
2	41502301	LED Assy 1200dpi	4	12	24	48	ODA/OEL/APS
	41502302	LED Assy 600dpi	4	12	24	48	ODA/OEL/APS
3	40861001	LED Assy Spring	8	24	48	96	
4	41257902	LED control PWB	1	3	6	12	
5	41349801	Lever Stacker Full	1	3	6	12	
6	41487101	Cover Assy-Inn(Sub)	1	3	6	12	
7	41514103	LED Harness M	1	3	6	12	
8	41514104	LED Harness C	1	3	6	12	
9	41514101	LED Harness K	1	3	6	12	
10	41514102	LED Harness Y	1	3	6	12	
11	41703701	Sensor-Assy-Tonner	4	12	24	48	
12	41484501	Control Panel Assy	1	3	6	12	
13	40866207	Control Panel Bezel	1	3	6	12	1200dpi
	40866211	Control Panel Bezel	1	3	6	12	600dpi
14	2381005P0024	Control Panel Tape Harness	1	3	6	12	
15	41484701	Eject Guide Assy	1	3	6	12	
16	2251001P0260	26pin LED Connector	4	12	24	48	
17	40255202	Motor-Fan(80-25)	1	3	6	12	
18	4PB4083-2500P008	Screw (T3×8)	19	-	-	-	

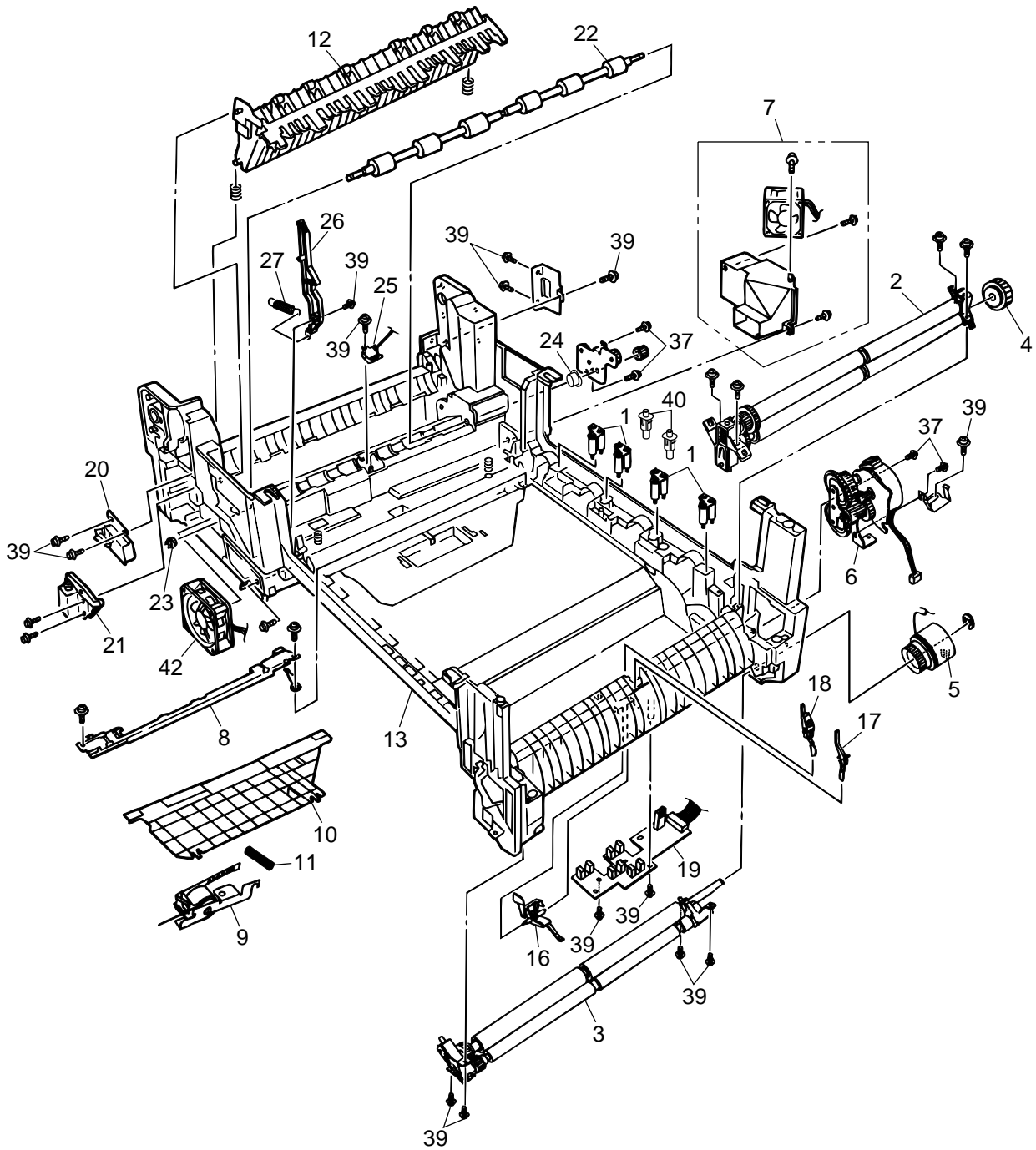


Figure 8-3-1/2

© OKI Systems (UK) Ltd. For further information contact TCL Technology Ltd on +44 (0)1865 368232 or spares@tcltech.co.uk

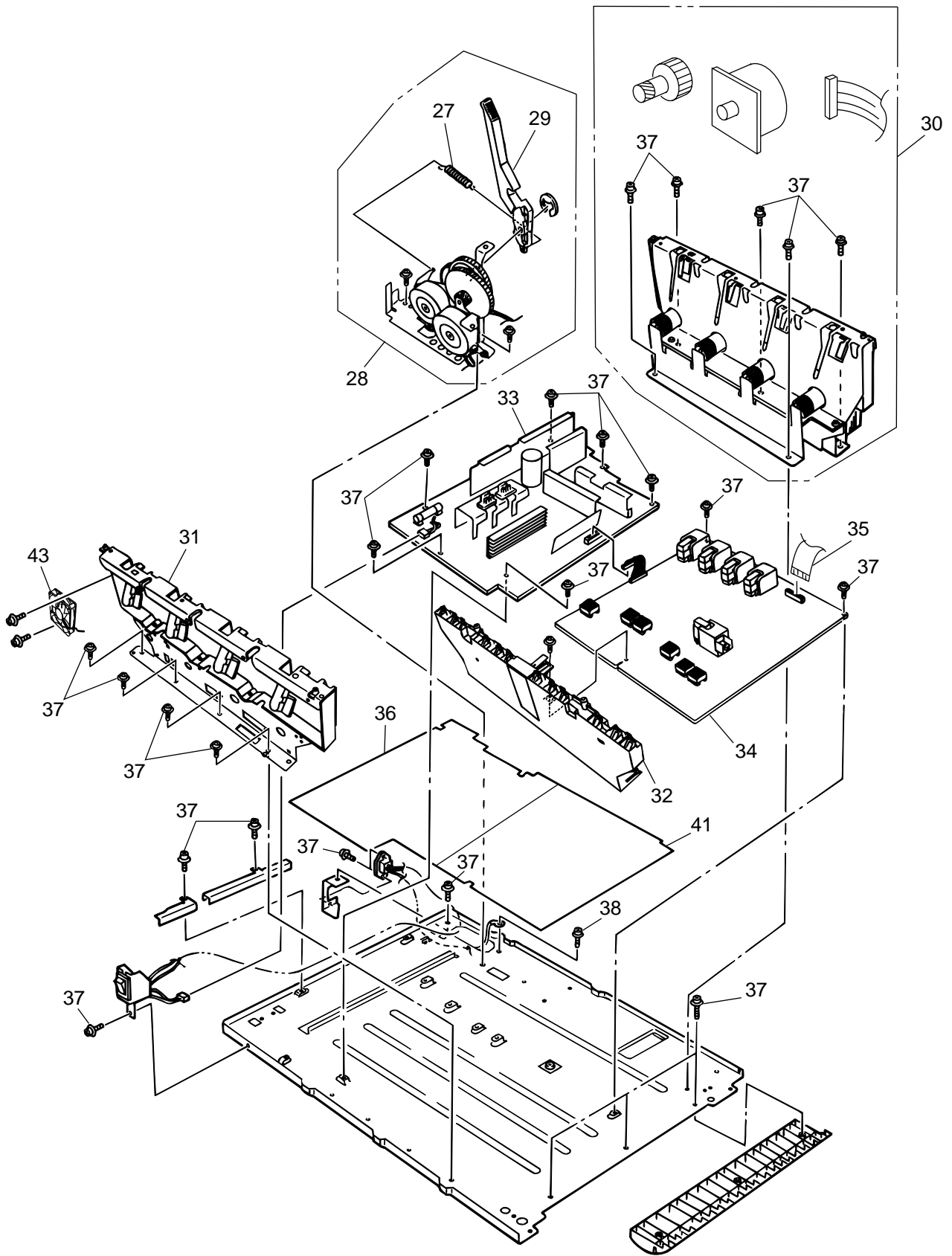


Figure 8-3-2/2

Printer Unit Chassis

No.	Parts No.	Name	Q'ty /Unit	Recommended Q'ty/Year			Remarks
				per 500	per 1000	per 2000	
1	41189701	Drum contact Assy	4	12	24	48	
2	41483201	Registration Roller Assy (A)	1	3	6	12	
3	41483301	Registration Roller Assy (B)	1	3	6	12	
4	40845401	Registration Drive Gear (A)	1	3	6	12	
5	41187101	Registration Clutch	1	3	6	12	
6	41483401	Registration Motor Assy	1	3	6	12	
7	41483701	Motor-Assy-Fan	1	3	6	12	
8	41491001	Color Registration Sensor Assy	1	3	6	12	
9	41744001	Registration Shutter Solenoid	1	3	6	12	
10	41743901	Registration Shutter	1	3	6	12	
11	41744601	Registration Shutter Spring	1	3	6	12	
12	41486801	Duplex Guide Assy	1	3	6	12	
13	41483101	Printer Unit Chassis	1	3	6	12	
14							
15							
16	40841601	Entrance Cassette Sensor Actuator	1	3	6	12	
17	41578501	Entrance MT Sensor Actuator	1	3	6	12	
18	40841801	Entrance Belt Sensor Actuator	1	3	6	12	
19	41258301	Board R71	1	3	6	12	
20	41486601	Magnet-Assy-Dup	1	3	6	12	
21	41393901	Solenoid sheet Assy	1	3	6	12	
22	41095901	Roller Feed(C)	1	3	6	12	
23	PP4076-3949P001	Fuser Exit Roller Bushing (L)	1	3	6	12	
24	PP4043-4489P001	Fuser Exit Roller Bushing (R)	1	3	6	12	
25	41073601	Exit Sensor Assy	1	3	6	12	
26	40841301	Fuser Latching Handle (L)	1	3	6	12	
27	41628301	Fuser Latching Handle Spring	2	6	12	24	
28	41483901	Transfer Belt Motor Assy	1	3	6	12	
29	40841401	Fuser Latching Handle (R)	1	3	6	12	
30	41483801	Main Motor Assy	1	3	6	12	
31	41484001	Left Plate Assy	1	3	6	12	
32	40850201	Contact Assy	1	3	6	12	
33	41303401	PWR Unit-ACDC Switch 120V	1	3	6	12	
	41303501	PWR Unit-ACDC Switch 230V	1	3	6	12	
34	40737601	Power Unit(High-Voltage)	1	3	6	12	

No.	Parts No.	Name	Q'ty /Unit	Recommended Q'ty/Year			Remarks
				per 500	per 1000	per 2000	
35	2381018P0002	HV Tape Harness	1	3	6	12	
36	41500101	Power Supply Insulation	1	3	6	12	
37	4PB4013-3100P006	Screw (M3×6)	26	-	-	-	
38	PSW4-8C	Screw (M4×8)	1	-	-	-	
39	4PB4083-2500P008	Screw (T3×8)	29	-	-	-	
40	41346301	Transfer Contact Assy	2	6	12	24	
41	41589501	Power Supply Insulation(HV)	1	3	6	12	
42	40197103	FAN-Main(PUSH)	1	3	6	12	
43	41431602	FAN-Main(PUSH)	1	3	6	12	

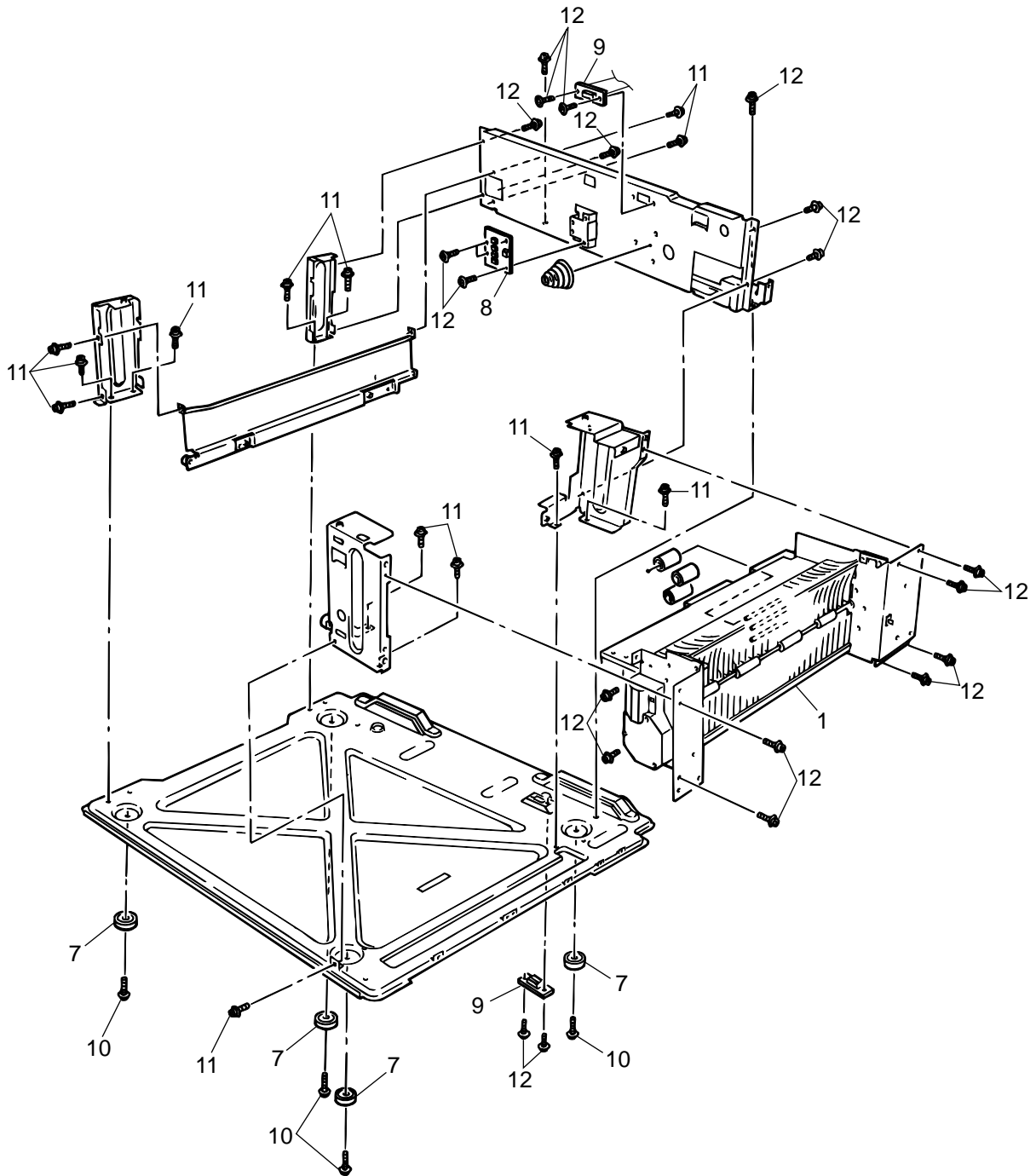


Figure 8-4-1/2

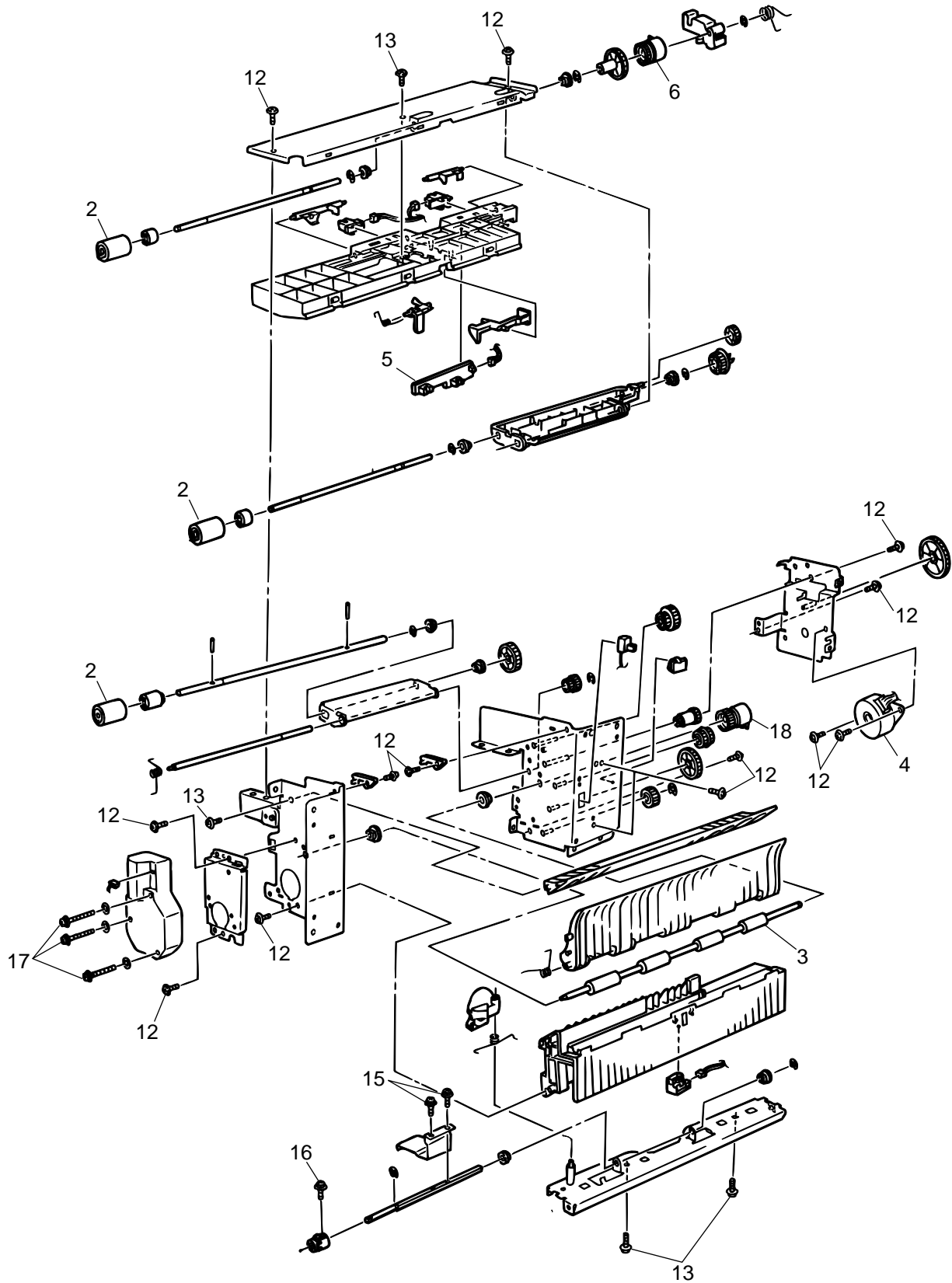


Figure 8-4-2/2

Paper Tray Guide

No.	Parts No.	Name	Q'ty /Unit	Recommended Q'ty/Year			Remarks
				per 500	per 1000	per 2000	
1	41481301	Guide-Assy-R-1st	1	3	6	12	
2	41481701	Roller-Feed	1	3	6	12	
3	41488401	Roller-Feed-A3	1	3	6	12	
4	41529101	Motor-Pulse(Hop)	1	3	6	12	
5	41515701	Board-A73	1	3	6	12	
6	41503001	Gear Assy-Clutch(2pin)	1	3	6	12	
7	41502601	Rubber Foot	4	12	24	48	
8	41515801	Paper Size Sensing PWB	1	3	6	12	
9	2201000P0140	Connector	1	3	6	12	
10	4PB4013-3101P006	Screw (T4×6)	4	-	-	-	
11	4PB4013-3101P008	Screw (T4×8)	27	-	-	-	
12	4PB4013-3100P008	Screw (M3×8)	18	-	-	-	
13	4PB4083-2500P010	Screw T3×10	4	-	-	-	
14							
15	PSW2W3-10C	Screw	2	-	-	-	
16	PSW2W3-16C	Screw	1	-	-	-	
17	PSW2W3-20C	Screw	3	-	-	-	
18	41488301	Gear Assy-Clutch(3pin)	1	3	6	12	

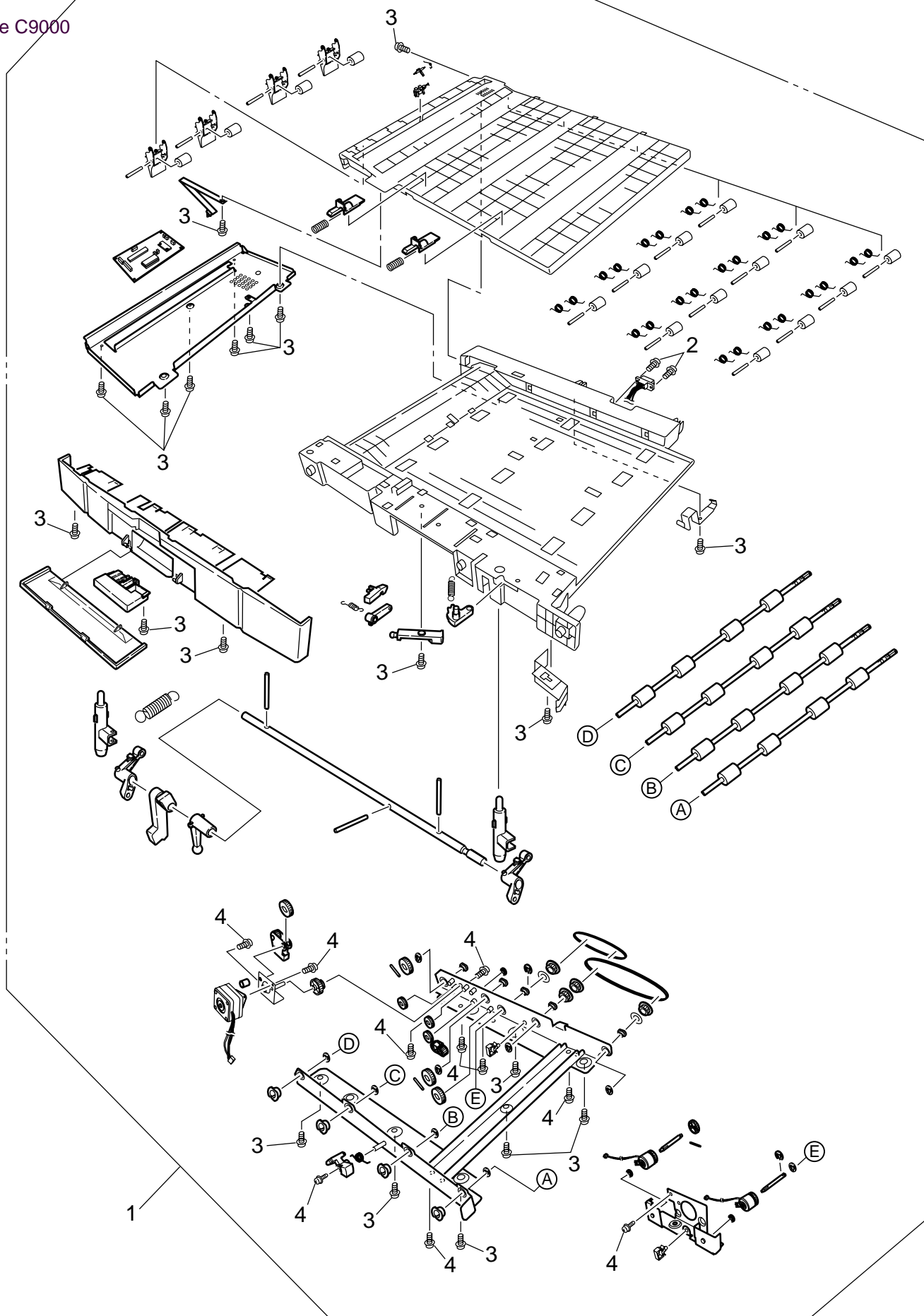


Figure 8-5

Duplex Unit

No.	Parts No.	Name	Q'ty /Unit	Recommended Q'ty/Year			Remarks
				per 500	per 1000	per 2000	
1	41178201	Duplex Assy	1	-	-	-	ODA
	41178203	Duplex Assy	1	-	-	-	OEL
	41178207	Duplex Assy	1	-	-	-	APS
2	4PB4043-4718P001	Screw (SP3×10)	2	-	-	-	
3	4PB4083-2500P008	Screw (T3×8)	21	-	-	-	
4	4PB4013-3100P006	Screw (M3×6)	9	-	-	-	

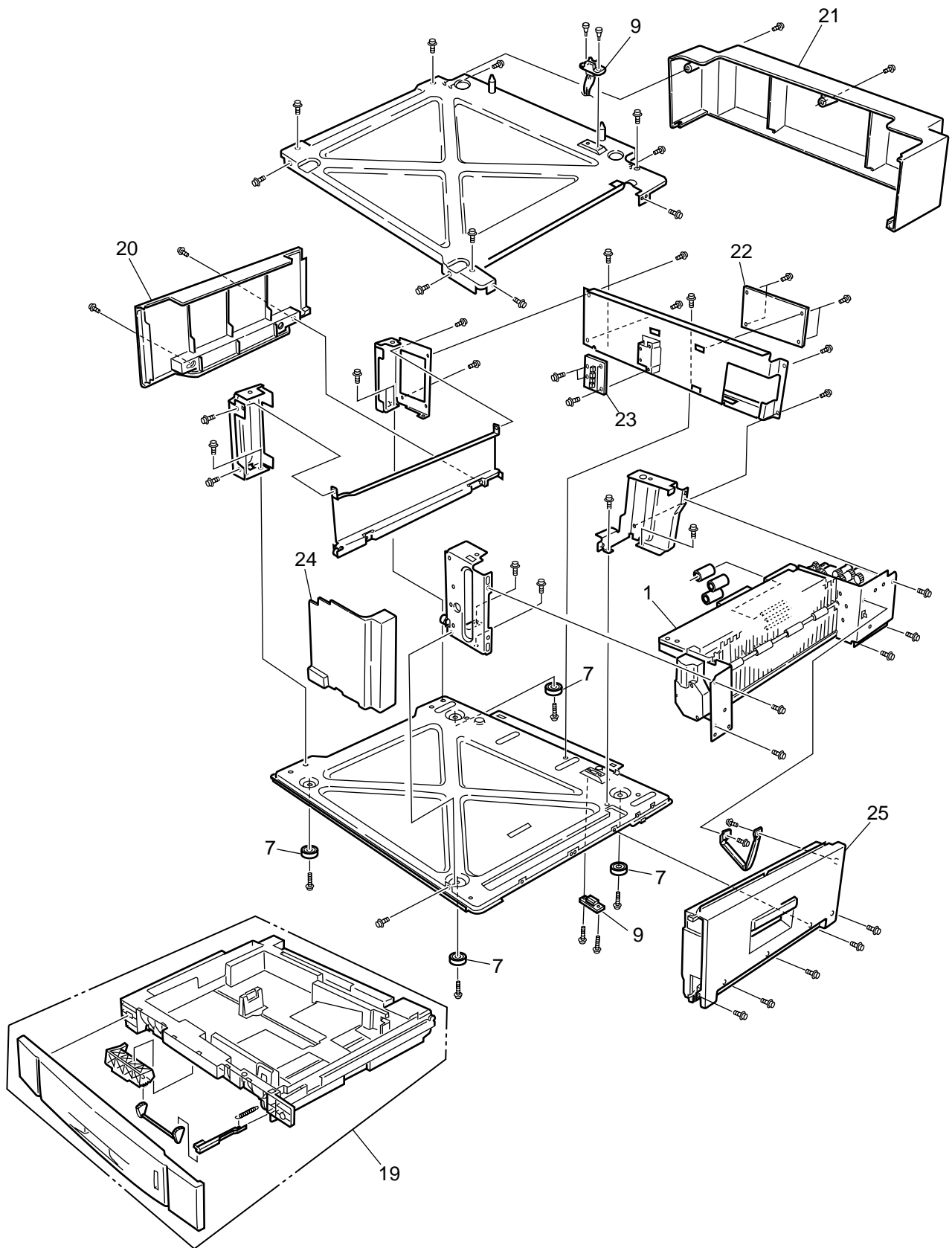


Figure 8-6-1/2

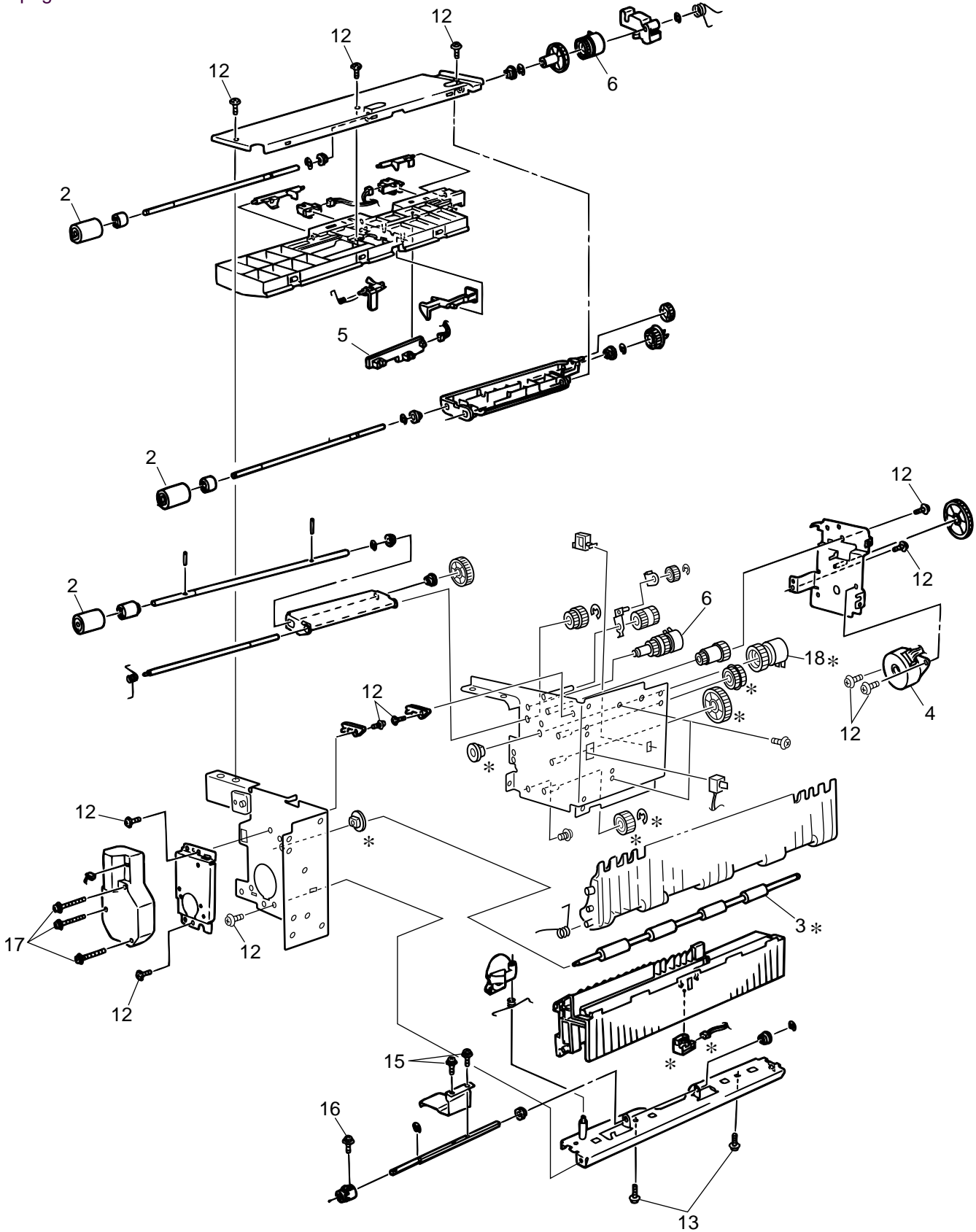


Figure 8-6-2/2

High Capacity Tray Unit, 2nd/3rd Tray Unit

No.	Parts No.	Name	Q'ty /Unit	Recommended Q'ty/Year			Remarks
				per 500	per 1000	per 2000	
1	41481301	Guide R Assy	1	3	6	12	
2	41481701	Roller-Feed	3	9	18	36	
3	41488401	Roller-Feed (A3)	1	3	6	12	
4	41529101	Motor-Hopping	1	3	6	12	
5	41515701	Board A73	1	3	6	12	
6	41503001	Clutch Guide Assy (2 pin)	1	3	6	12	
7	41502601	Rubber-Foot	4	12	24	48	
8							
9	2201000P140	Connector	1	3	6	12	
10	4PB4013-3101P006	Screw (T4x6)	4	-	-	-	
11	4PB4013-3101P008	Screw (T4x8)	27	-	-	-	
12	4PB4013-3100P008	Screw (M3x8)	18	-	-	-	
13	4PB4083-2500P010	Screw (T3x10)	4	-	-	-	
14							
15	PSW2W3-10C	Screw	2	-	-	-	
16	PSW2W3-16C	Screw	1	-	-	-	
17	PSW2W3-20C	Screw	3	-	-	-	
18	41488301	Clutch Guide Assy (3 pin)	1	3	6	12	
19	41547805	Cassette Assy	1	3	6	12	
20	41503601	Cover-Side L	1	3	6	12	
21	41503801	Cover-Rear	1	3	6	12	
22	41463003	Board V73	1	3	6	12	
23	41515801	Paper Size sensor	1	3	6	12	
24	41503701	Cover-Side R Sub	1	3	6	12	
25	41481201	Cover-Side R Assy	1	3	6	12	