

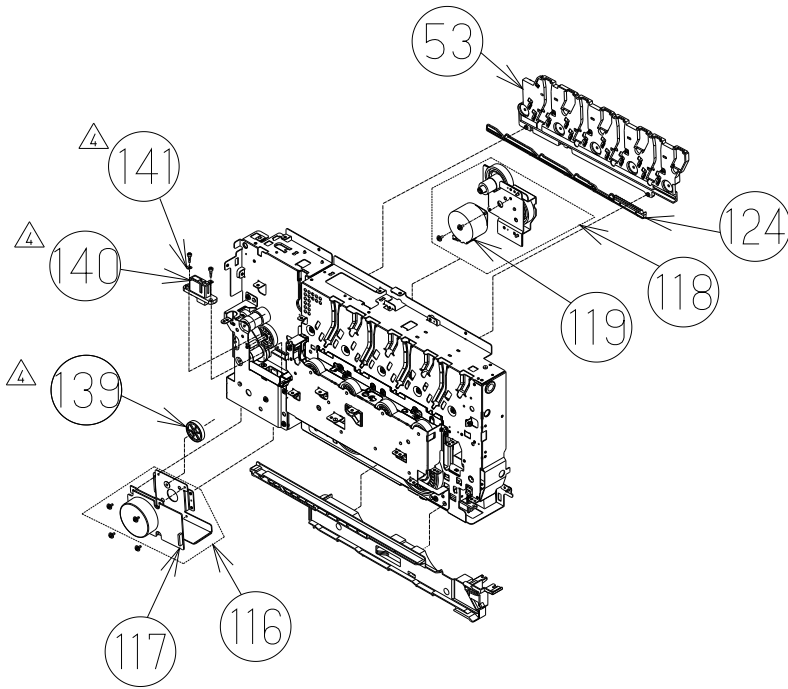
OEL Disassembly Drawing

C8800



Revision 4

52 Plate-Side-R-Assy ▲



Rev	Unit Name	No.	Part No.	Part Name	Q'ty /Unit	Recommended Q'ty/Year			Remarks	Del/Add	Remarks for environment
						per 500	per 1000	per 2000			
	Printer-NIP-PX736	1	43455902	PWR unit-ACDC Switch	1	1	2	4	OEL/ODA_230V/CHN/AOS KOR		-
	Printer-NIP-PX736	2	43031601	PWR unit-DCDC	1	2	4	8	JPN/OEL/AOS/CHN/TWN KOR/ODA_120V/ODA_230V		-
	Printer-NIP-PX736	2	43694601	PWR unit-DCDC	1	2	4	8	JPN/OEL/ODA_120V/ODA_230V		-
	Printer-NIP-PX736	2	43728201	PWR unit-(HIGH VOLTAGE)	1	2	4	8	C8800-P		-
	Printer-NIP-PX736	3	43696801	OR-PVX	1	2	4	8	JPN/OEL/AOS/CHN/TWN KOR/ODA_120V/ODA_230V		-
	Printer-NIP-PX736	3	43696804	OR-PVX-4	1	2	4	8	C8800-P		-
	Printer-NIP-PX736	4	43556703	PX736PDL CU-Assy.Maintenance(OEL)	1	2	4	8	OEL		-
	Printer-NIP-PX736	5	2381003P0087	TW-VF/SMCD12-60-1.0	1	1	2	4			G
	Printer-NIP-PX736	6	43686801	LED Head Unit-53STA	4	2	4	8			-
	Printer-NIP-PX736	7	43241301	Motor-DC-ID	1	1	2	4			-
	Printer-NIP-PX736	8	43446501	Motor-Fan(80)	1	1	2	4			-
	Printer-NIP-PX736	9	43191302	Motor-Fan(60)PowL	1	1	2	4			-
	Printer-NIP-PX736	10	43508301	Holder Assy.-Switch	1	2	4	8			-
	Printer-NIP-PX736	11	43711901	Plate-Assy-Shield	1	2	4	8			-
	Printer-NIP-PX736	12	43659201	Plate-Shield-CU	1	2	4	8			-
	Printer-NIP-PX736	13	43270201	Cover-Assy.-Side(R)	1	2	4	8			-
	Printer-NIP-PX736	14	43276501	Cover-Side(L)	1	2	4	8			-
	Printer-NIP-PX736	15	43182601	Cover Assy.-Rear	1	2	4	8	OEL/C8800-P ODA_120V/ODA_230V CHN/AOS/TWN/KOR		-
	Printer-NIP-PX736	16	43184303	Frame Assy.-OP(Panel)	1	2	4	8	OEL/CHN/AOS/TWN/KOR		-
	Printer-NIP-PX736	21	43310001	Duct-POW	1	1	2	4			-
	Printer-NIP-PX736	22	43310201	Insulator-POW	1	1	2	4			-
	Printer-NIP-PX736	89	43178206	Cassette-Assy.	1	1	2	4	OEL		-
	Printer-NIP-PX736	128	2381101P0001	SML2CD-32X72-BDXAUP	1	1	2	4			-
	Printer-NIP-PX736	129	43712001	Plate-Assy-Fan-CU	1	1	2	4			-
	Printer-NIP-PX736	136	43427203	Sheet-OP(Panel)	1	1	2	4	OEL AOS ODA_120V ODA_230V		-
	Printer-NIP-PX736	137	43618501	Spring-Head	7	1	2	4			-
	Printer-NIP-PX736	138	43637101	Spring-Head	1	1	2	4			-
	Cover Assy.-OP(Panel)	17	43426301	Cover-OP(Panel)	1	2	4	8			-
	Cover Assy.-OP(Panel)	18	42068202	Button-Key	1	1	2	4			-
	Cover Assy.-OP(Panel)	19	43132502	OR-PRP	1	1	2	4	OEL/CHN/AOS/TWN/KOR		-
	Frame-Assy	20	43313601	Cover-Gear	1	1	2	4			-
	Frame-Assy	47	2381003P0083	TW-VF/SMCD13-740-1.0	1	2	4	8			-
	Frame-Assy	48	2381003P0084	TW-VF/SMCD21-230-1.0	1	2	4	8			-
	Frame-Assy	51	43240401	Plate-Side-L-Assy	1	1	2	4			-
	Frame-Assy	52	43241201	Plate-Side-R-Assy	1	1	2	4			-
	Frame-Assy	54	43245501	Frame-Assy-Hopping	1	2	4	8			-
	Frame-Assy	55	43246101	Gear-Holder-Assy	1	2	4	8			-
	Frame-Assy	56	43246401	Sensor-Assy-Fuser	1	1	2	4			-
	Frame-Assy	57	43246601	Frame-Assy-Contact	1	2	4	8			-
	Frame-Assy	58	43246801	Sensor-Assy-Regist	1	2	4	8			-
	Frame-Assy	65	43247501	Fuse-Cut-Assy	1	1	2	4			-
	Frame-Assy	66	43247701	Beam-Fuser-Assy	1	1	2	4			-
	Frame-Assy	67	43248001	Regist-Roller-Assy	1	2	4	8			-
	Frame-Assy	68	43250501	Guide-Eject-Assy-Lower	1	2	4	8			-
	Frame-Assy	72	42058304	Solenoid	1	2	4	8			G
	Frame-Assy	73	42058401	Spring-Solenoid	1	1	2	4			-
	Frame-Assy	74	43252401	Motor-Z18(Spur)	2	2	4	8			-
	Frame-Assy	75	43251801	Gear-Reduction-L-Up	1	1	2	4			-
	Frame-Assy	76	43253501	Gear-Reduction-L-Up2	1	1	2	4			-
	Frame-Assy	77	43313101	Gear-Reduction-L-Up3	1	1	2	4			-
	Frame-Assy	78	43361001	Gear-Reduction-L-Up4	1	1	2	4			-
	Printer-Unit(PX736)	29	43438901	OR-P6Y	1	2	4	8			-
	Printer-Unit(PX736)	30	43183601	Guide-Eject-Assy-Upper	1	2	4	8			-
	Printer-Unit(PX736)	33	43410507	Cover-Assy-Top	1	1	2	4	OEL/CHN ODA_120V/ODA_230V		-
	Printer-Unit(PX736)	36	43179301	MPT-Assy	1	2	4	8			-
	Printer-Unit(PX736)	40	43311901	Spring-Torsion(L)	1	1	2	4			-
	Printer-Unit(PX736)	41	43312001	Spring-Torsion(R)	1	1	2	4			-
	Printer-Unit(PX736)	42	43359801	CONN Cord-AMP8P-AMP4P,AMP4P	1	2	4	8			-
	Printer-Unit(PX736)	43	43405001	CONN Cord-AMP11P-AMP11P	1	2	4	8			-
	Printer-Unit(PX736)	44	43360501	CONN Cord-AMP6P-AMP3P,AMP3P	1	2	4	8			-

Rev	Unit Name	No.	Part No.	Part Name	Q'ty /Unit	Recommended Q'ty/Year			Remarks	Del/Add	Remarks for environment
						per 500	per 1000	per 2000			
	Printer-Unit(PX736)	46	43409601	CONN Cord-JST8P-AMP2P	1	2	4	8			-
	Printer-Unit(PX736)	49	43629001	CONN-Regist-Cord(R_bend)	1	2	4	8			-
	Printer-Unit(PX736)	50	43628901	CONN-Regist-Cord(L_bend)	1	1	2	4			-
	Guide-Eject-Assy-	31	43183801	Shaft Assy.-Eject(FU)	1	1	2	4			-
	Guide-Eject-Assy-	32	43184001	Shaft Assy.-Eject(FD)	1	1	2	4			-
	Cover-Assy-Top	34	43311701	Cable-Assy.-Head	1	2	4	8			-
	Cover-Assy-Top	35	43224701	Cover-Top	1	1	2	4			-
	Cover-Assy-Top	35	43381801	Cover-Top-Sub	1	1	2	4			-
	Cover-Assy-Top	35	42293101	Spring-Torsion(Sub)	1	1	2	4			-
	Cover-Assy-Top	109	43593501	Motor-Fan(40)	1	1	2	4			-
	Cover-Assy-Top	110	43590701	Duct-Fan-FU	1	1	2	4			-
	Holder-Pickup-Assy	37	43417901	Roller-Assy.-Pickup	1	3	6	12			-
	Cover-Front Assy.	38	43411001	Roller-Feed(OW)	1	3	6	12			-
	Cover-Front Assy.	39	43418001	Frame-Assy.-Separator	1	3	6	12			-
	Plate-Side-R-Assy	53	43242201	Guide-Side-R-Assy	1	1	2	4			-
	Plate-Side-R-Assy	116	43242701	Motor-Assy-Fuser	1	1	2	4			-
	Plate-Side-R-Assy	118	43314401	Motor-Assy.-Belt	1	1	2	4			-
	Plate-Side-R-Assy	124	43245401	Rack-Lift-Up-R	1	1	2	4			-
11	Plate-Side-R-Assy	139	43825901	Gear-Idle-Fuser	1	1	2	4		A	-
11	Plate-Side-R-Assy	140	43158101	CONN Cord-JST4P-JST4P	1	1	2	4		A	-
11	Plate-Side-R-Assy	141	4PB4083-6198P001	WAVE WASHER A	2	1	2	4		A	-
	Sensor-Assy-Fuser-A	59	43601701	Lever-Sensor-FUIN-Assy	1	1	2	4			-
	Sensor-Assy-Fuser-A	60	43334501	Spring-Torsion	1	1	2	4			-
	Sensor-Assy-Regist	61	43247201	Shutter-Assy	1	1	2	4			-
	Sensor-Assy-Regist	62	42755801	DC-Solenoid	1	2	4	8			-
	Sensor-Assy-Regist	63	43132302	OR-PRC	2	2	4	8			-
	Sensor-Assy-Regist	64	5654200P0001	GP2TC2J000F	1	2	4	8			G
	Guide-Eject-Assy-	69	42063301	Lever-Eject-Sensor	1	2	4	8			-
	Guide-Eject-Assy-	70	40386501	Spring-SNS(F/R)	1	2	4	8			-
	Guide-Eject-Assy-	71	40135301	Photo-Interrupter	1	2	4	8			G
	Cassette-Assy	90	42088801	Frame-Separation-Assy.	1	3	6	12			-
	Cassette-Assy	122	42089001	Spring-Separation	1	1	2	4			-
	Consumable	107	43651503	Rollerset-Tray1	1	1	2	4	OEL		-
	Consumable	108	43651803	RollerSet-MPT	1	1	2	4	OEL		-
	Motor-Assy-Fuser	117	43242801	Motor-DC-FU	1	1	2	4			-
	Motor-Assy.-Belt	119	43242601	Motor-Z15(Helical)	1	1	2	4			-
	Frame-Assy-Hopping	121	43334901	Roller Assy.-Hopping	1	3	6	12			-
	Plate-Side-L-Assy	123	43241001	Rack-Lift-Up-L	1	1	2	4			-
	Plate-Assy-Fan	130	42861201	Motor-Fan(CU)	1	1	2	4			-