

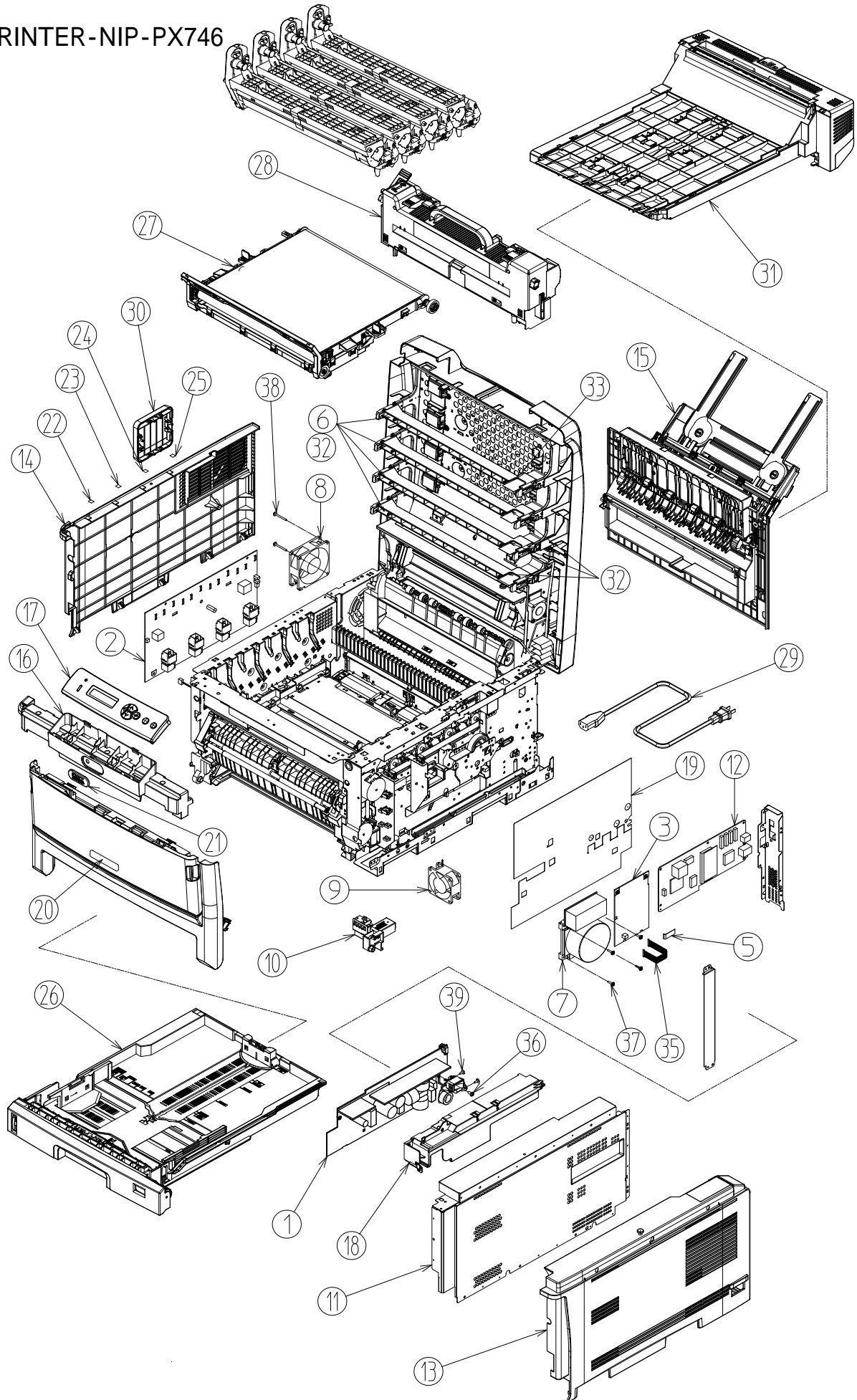
# OEL Disassembly Drawing

C810

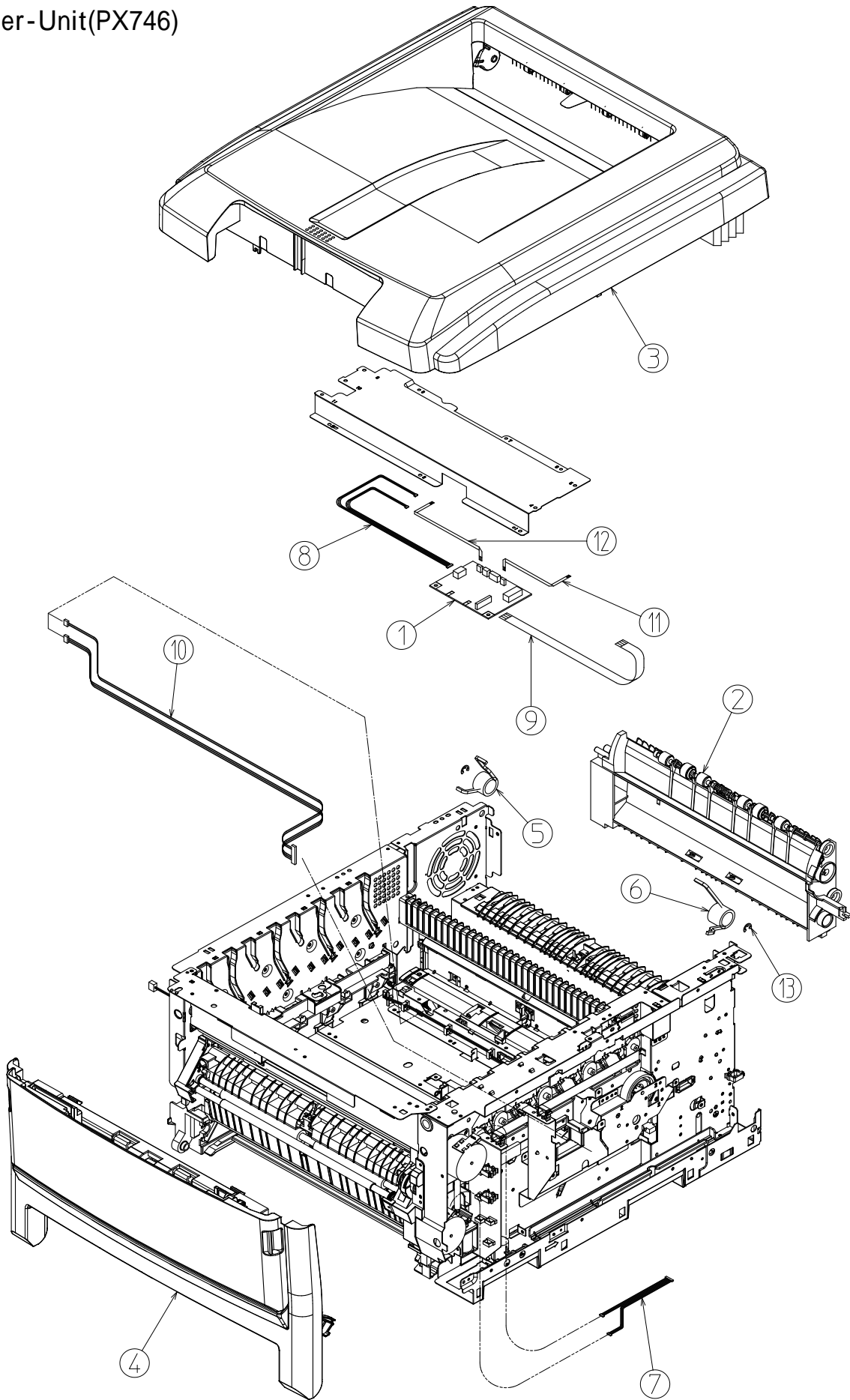


Revision 2

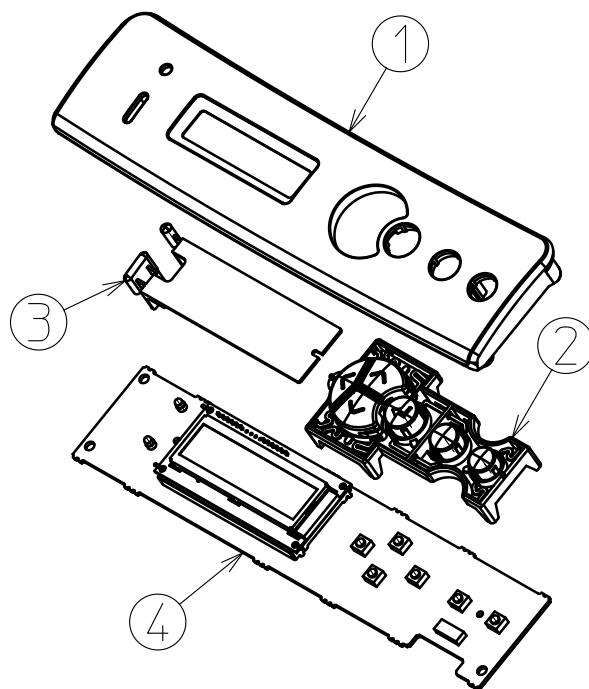
# PRINTER-NIP-PX746



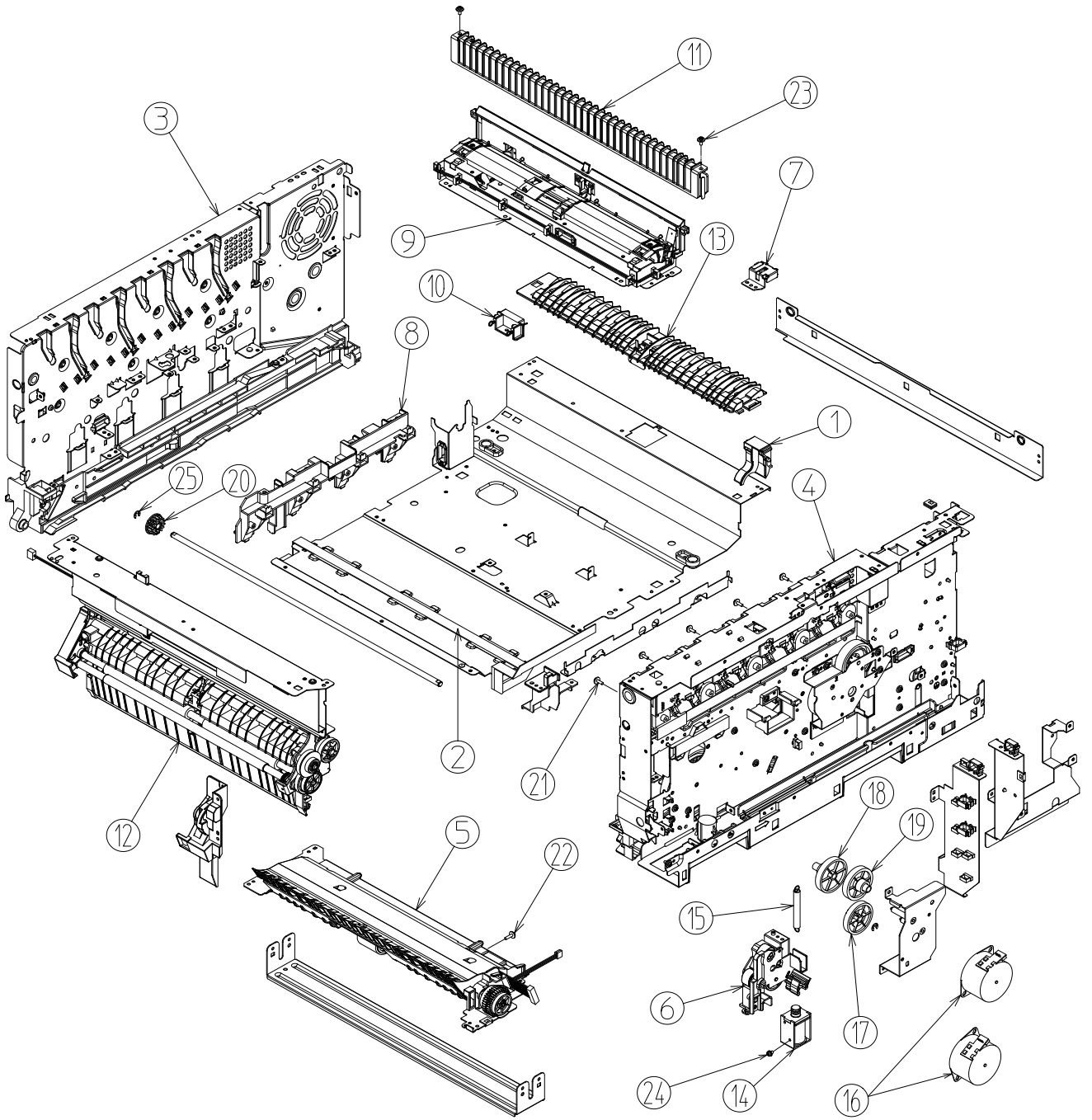
# Printer-Unit(PX746)



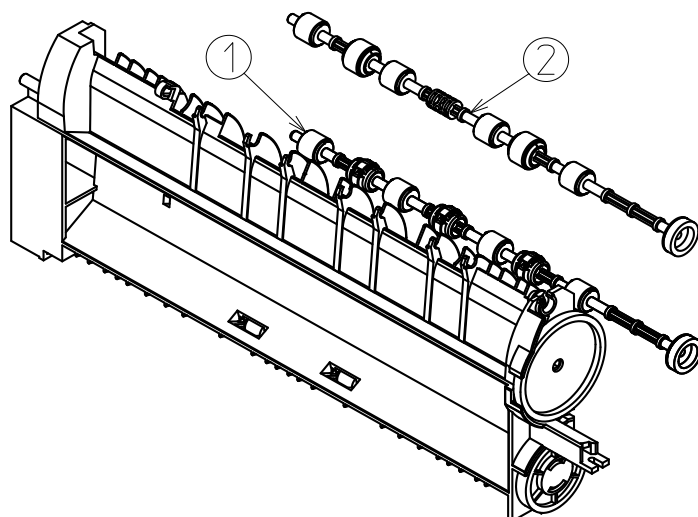
# Cover-Assy-OP-Panel



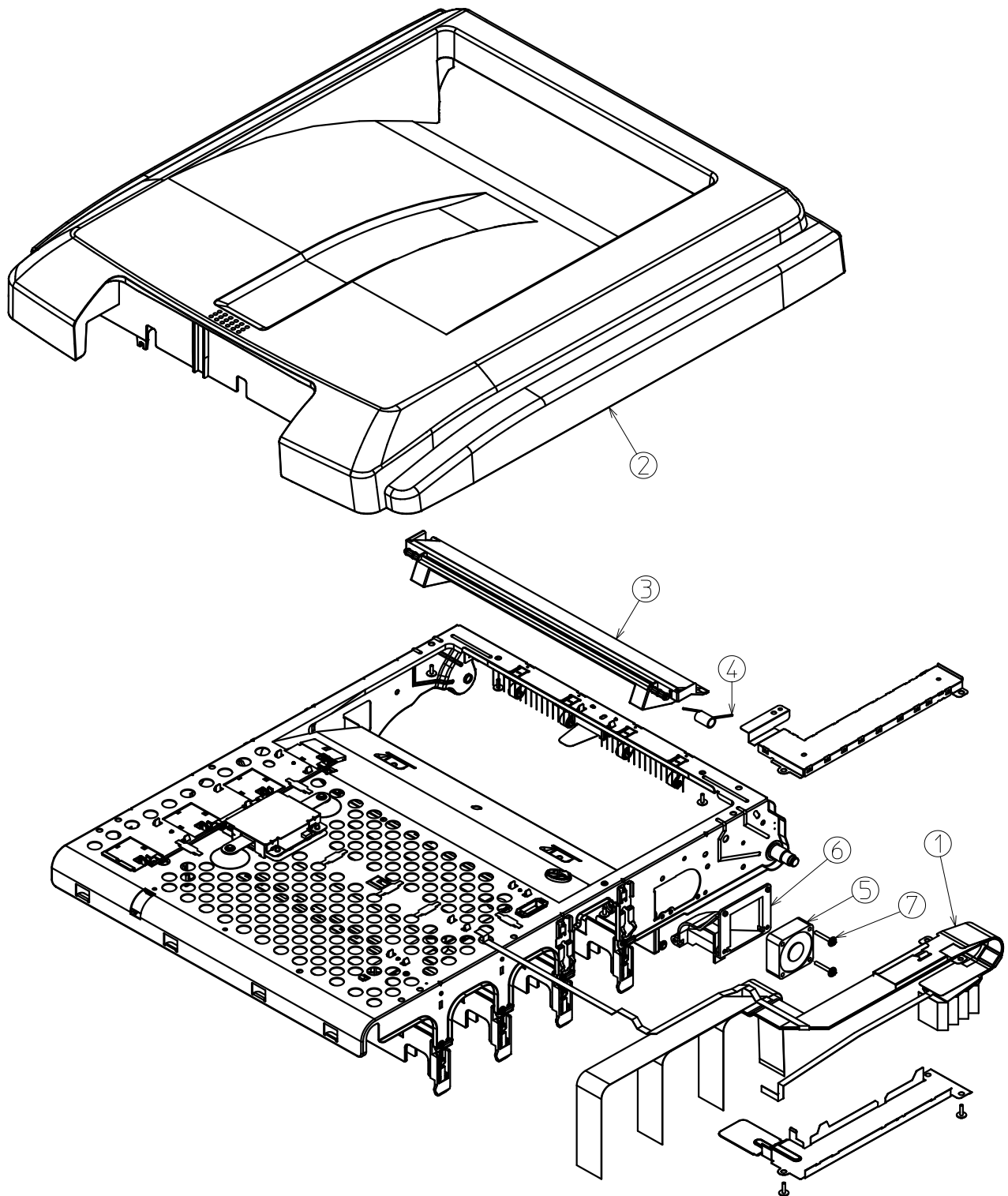
# Frame-Assy



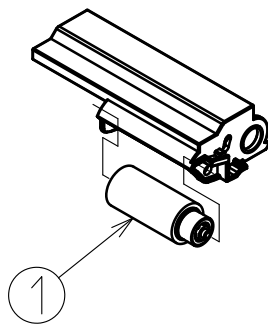
# Guide-Eject-Assy-Upper



# Cover - Assy - Top

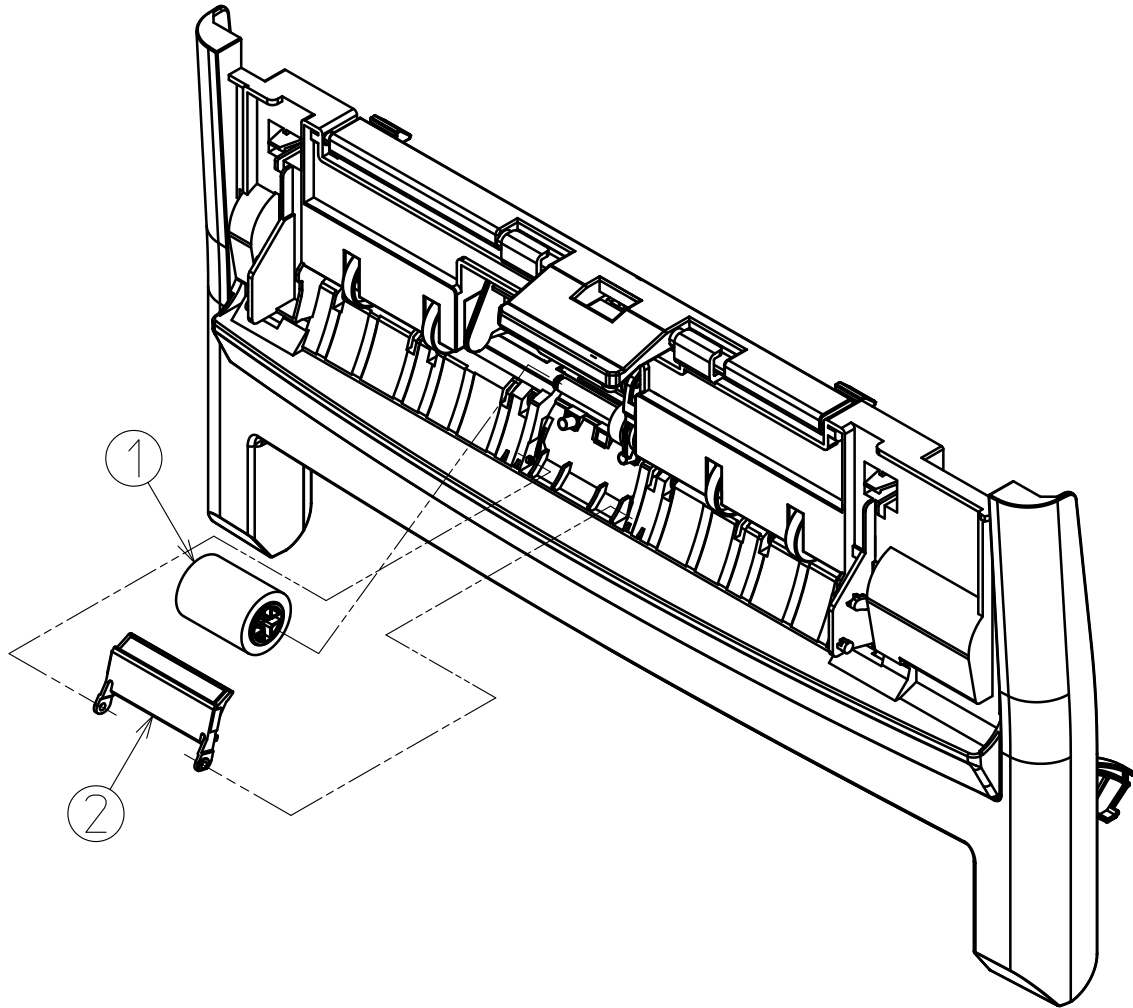


# Holder-Pickup-Assy





# Cover-Front-Assy



# Plate-Side-R-Assy

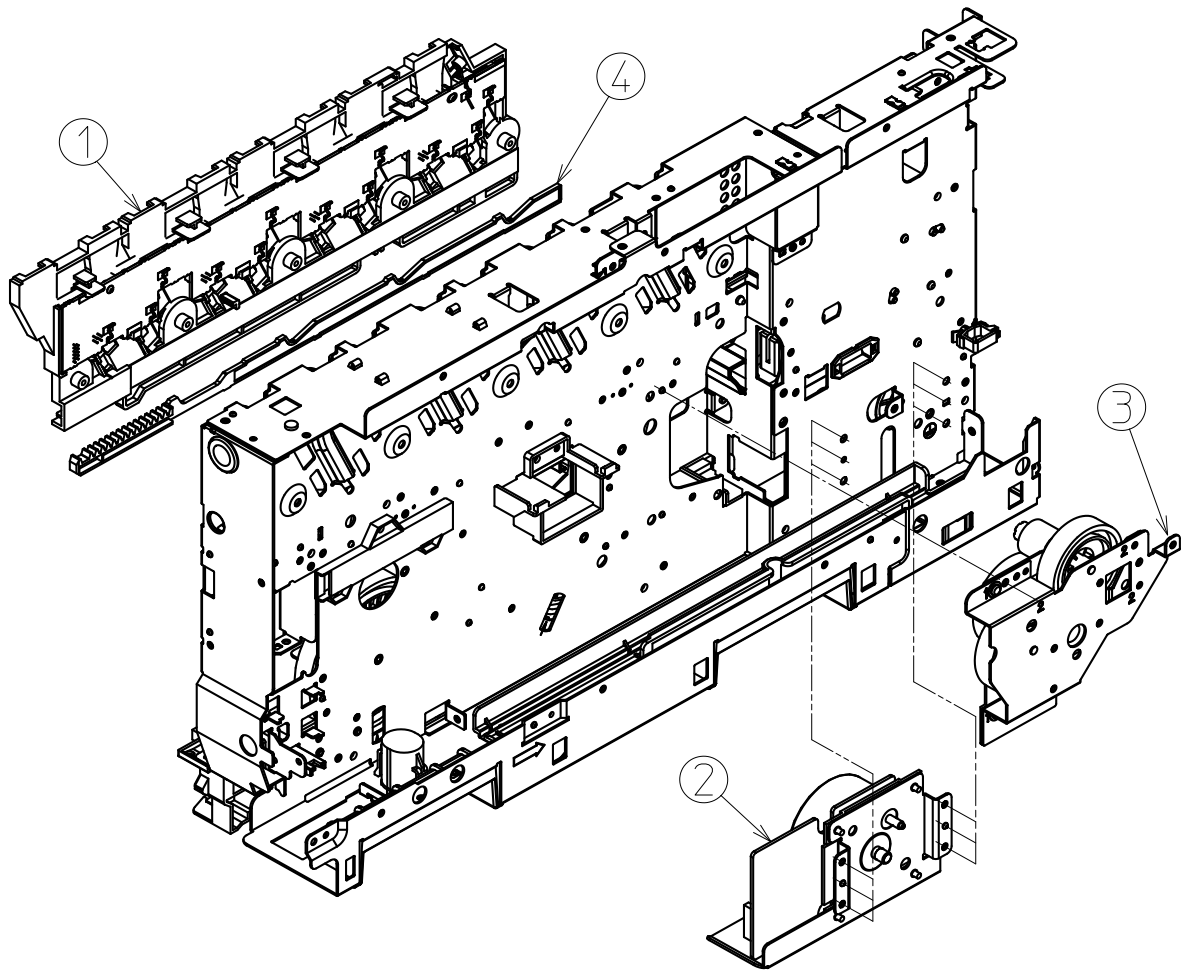
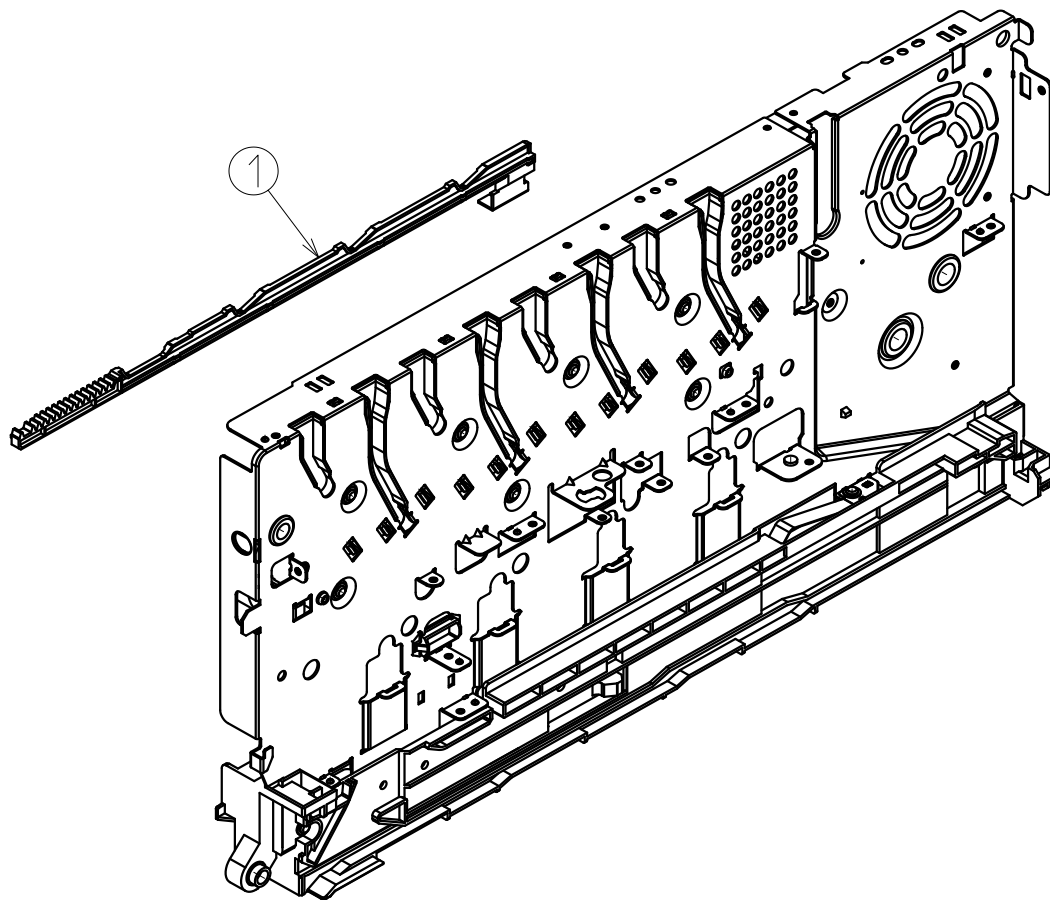
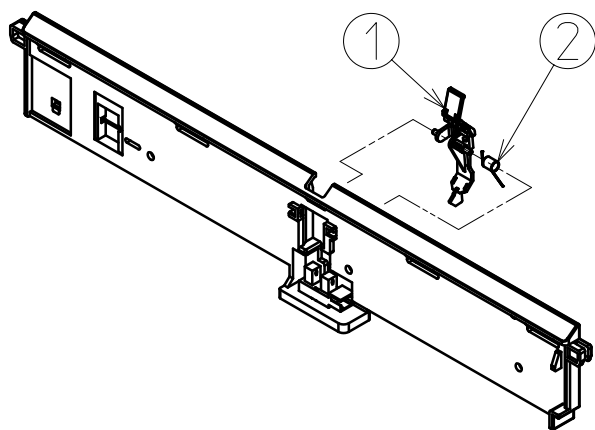


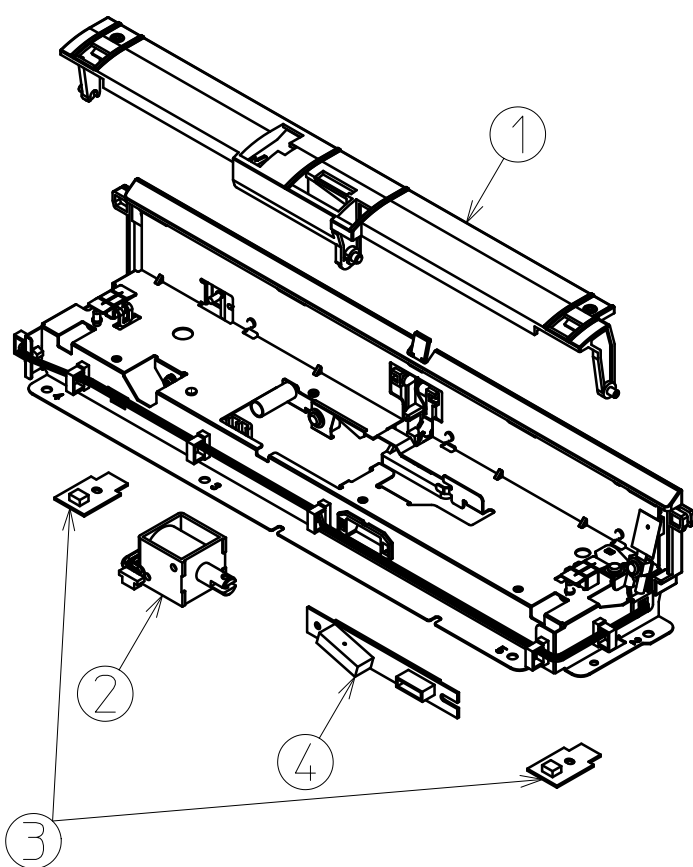
Plate-Side-L-Assy



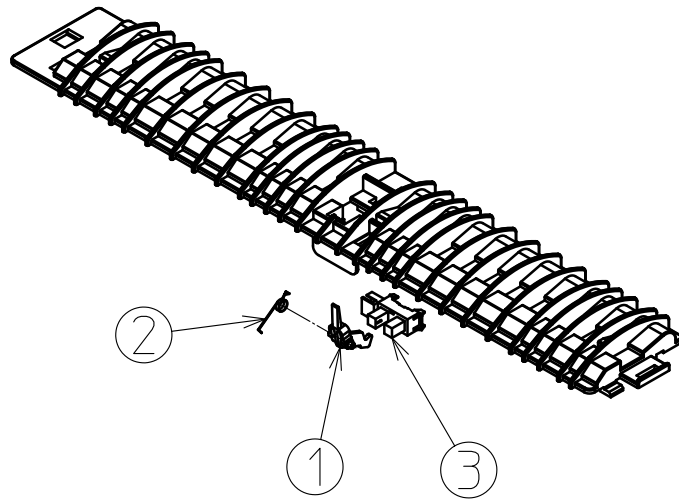
# Sensor-Assy-Fuser-A



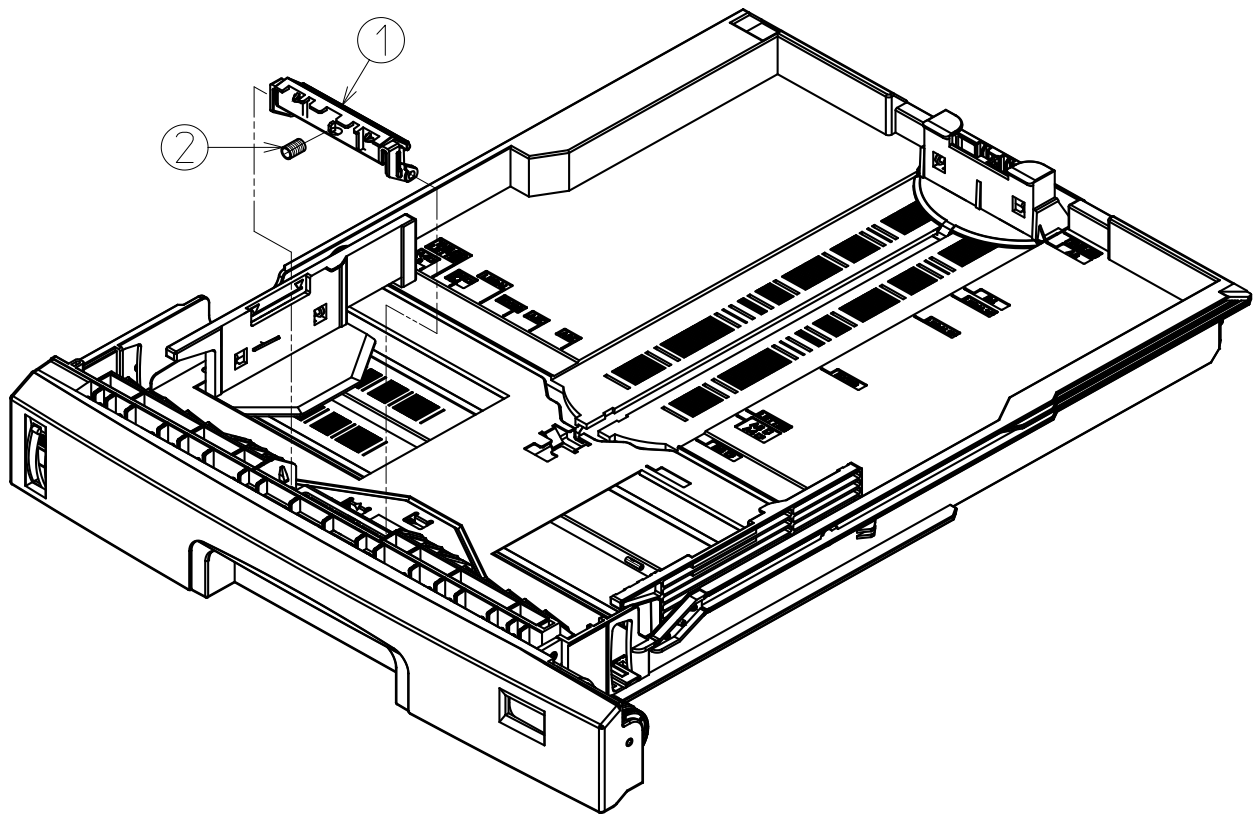
# Sensor - Assy - Regist



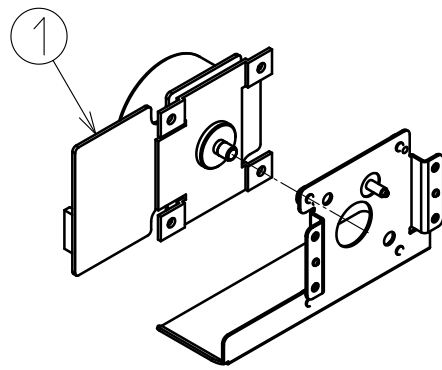
# Guide-Eject-Assy-Lower



# Cassette - Assy

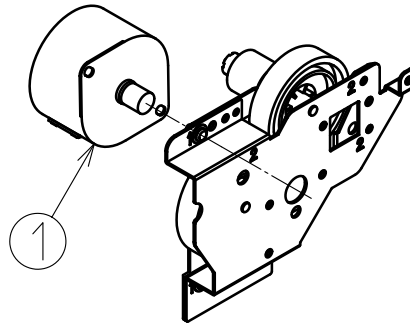


# Moter - Assy - Fuser

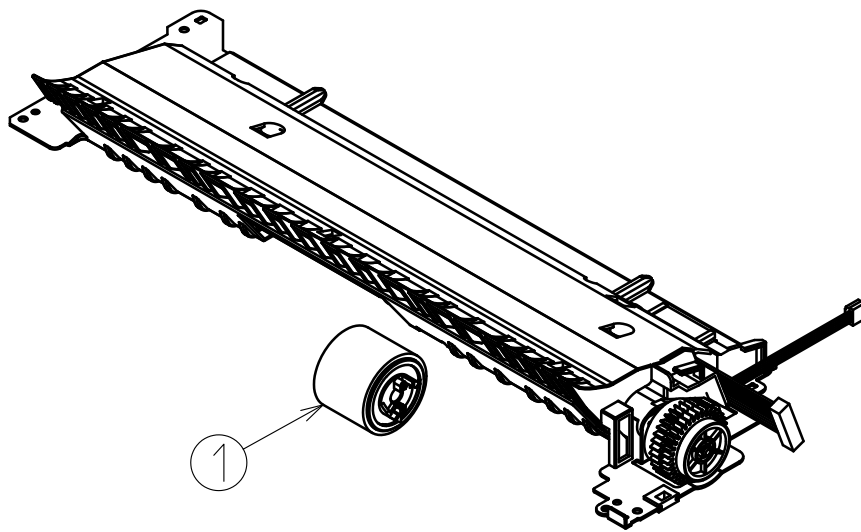




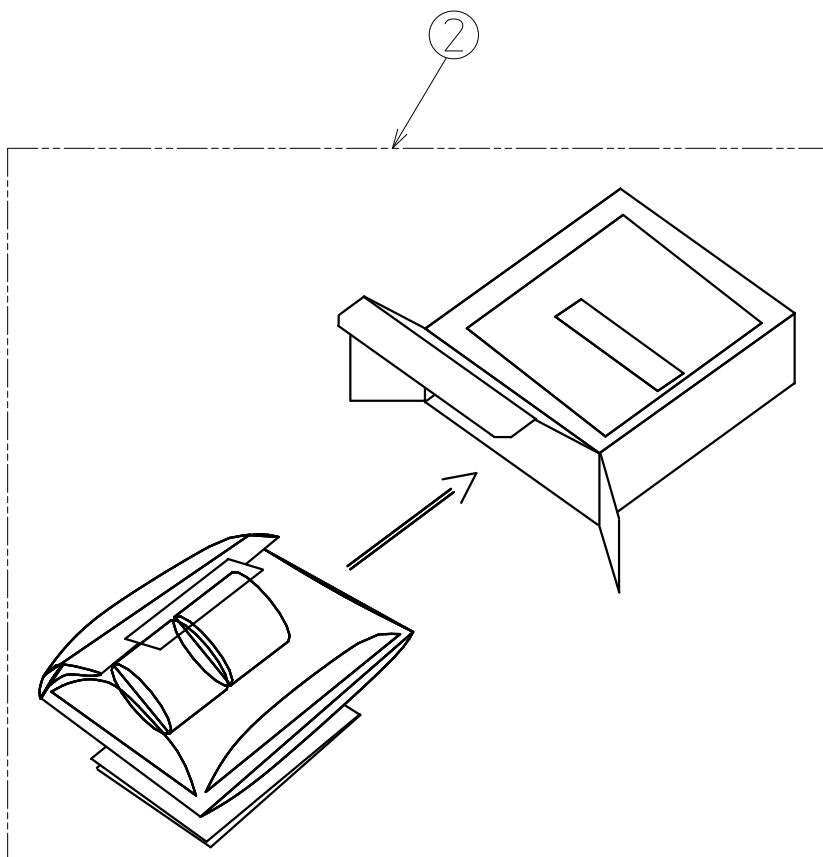
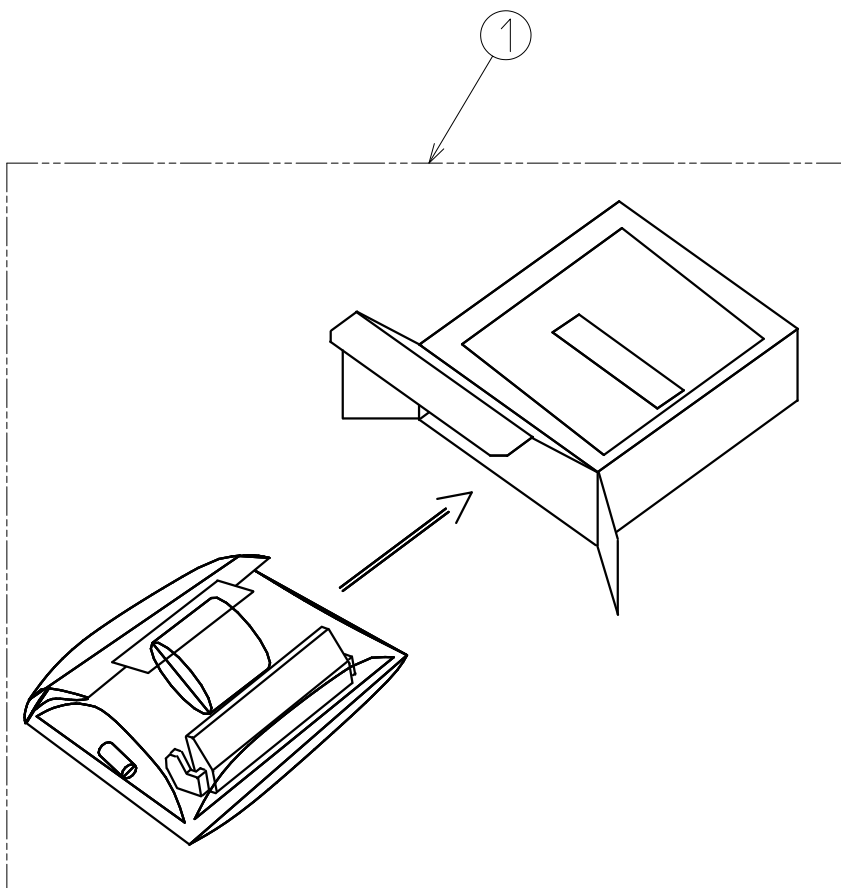
# Moter - Assy - Belt



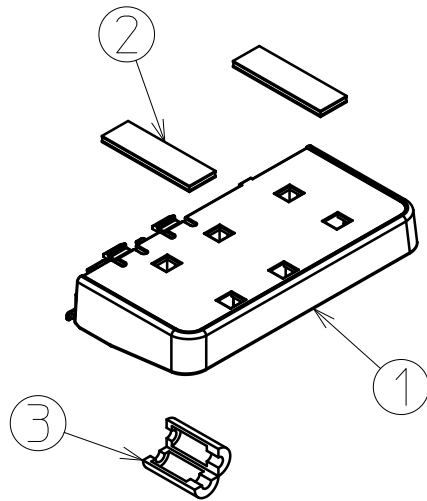
# Frame-Assy-Hopping



Consumable



Option



C810 Seires

Cabinet 