

# C7000 Colour Laser

## 8. PARTS LIST

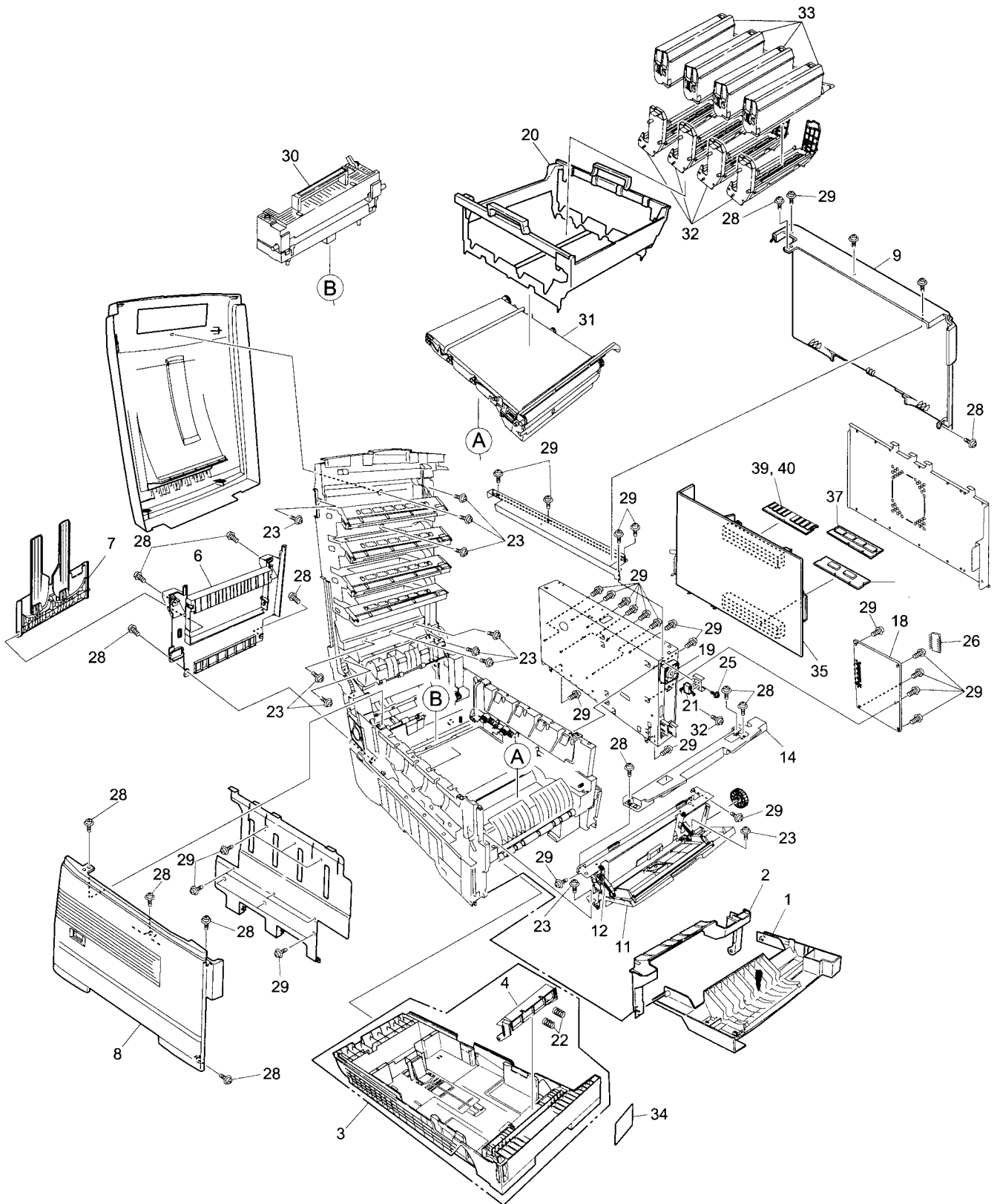


Figure 8-1-1/3'

© OKI Systems (UK) Ltd. For further information contact TCL Technology Ltd on +44 (0)1865 368232 or spares@tcltech.co.uk

# C7000 Colour Laser

Table 8-1-1/3

## Main Assembly

No.	Parts No.	Name	/Unit	Recommended Q'ty/Year			Remarks
				per500	per1000	per2000	
1	40864601	Front CoverAssy	1	3	6	12	
2	41042501	Front Cover Inner Baffle	1	3	6	12	
3	40866701	Cassette Assy	1	3	6	12	
4	41438401	Retard Pad Assy	1	3	6	12	
5							
6	40864301	Rear Cover	1	3	6	12	
7	41374902	Face Up StackerAssy	1	3	6	12	
8	40864401	Left Side Cover	1	3	6	12	
9	40864501	Right Side Cover	1	3	6	12	
10	40862001	Multipurpose Tray Assy	1	3	6	12	
11	40866301	Multipurpose Tray Cover Assy	1	3	6	12	
12	41045801	Link	2	6	12	24	
13	40325101	Multipurpose Tray Drive Gear	1	3	6	12	
14	40952701	Multipurpose Tray Top Cover	1	3	6	12	
15							
16							
17							
18	41256204	Print Engine Controller PWB (71	1	3	6	12	1200dpi
	41256206	Print Engine Controller PWB (71	1	3	6	12	600dpi
19	40197101	Electrical Chassis Cooling Fan	1	3	6	12	
20	40864901	CRU Basket Assembly	1	3	6	12	
21	41275701	UpperCover	1	3	6	12	
22	41439401	Retard Pad Assy Springs	2	6	12	24	
23	4PB4083-2500P008	Screw (T3x3)	14	-	-	-	
24	4PB4013-3100P008	Screw (M3x8)	2	-	-	-	
25	PSW2-8C	Screw (M2x8)	2	-	-	-	
26	816A2323M0000	EEPROM	1	3	6	12	
27							
28	4PB4083-2500P010	Screw (T3x10)	13	-	-	-	
29	4PB4013-3100P006	Screw (M3x6)	42	-	-	-	
30	41304001	Fuser-Unit	1	-	-	-	ODA(120V)
	41304003	Fuser-Unit	1	-	-	-	OELIAPS
	41304007	Fuser-Unit	1	-	-	-	ODA(230V)
31	41303901	Belt-Unit	1	-	-	-	ODA
	41303903	Belt-Unit	1	-	-	-	OEL/APS

# C7000 Colour Laser

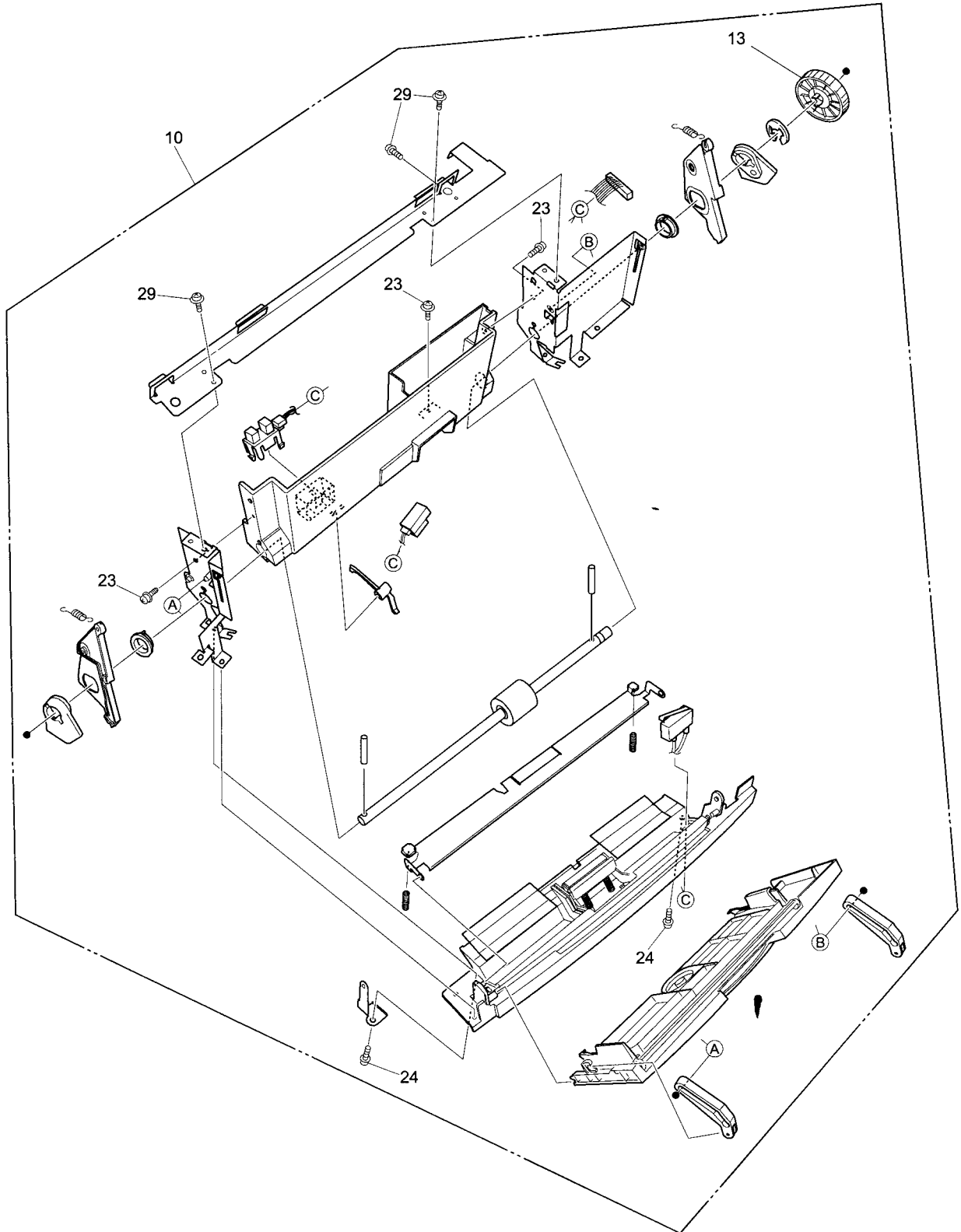


Figure 8-1-2/3

© OKI Systems (UK) Ltd. For further information contact TCL Technology Ltd on +44 (0)1865 368232 or spares@tcltech.co.uk

# C7000 Colour Laser

Table 8-1-2/3

No.	Parts No.	Name	/Unit	Recommended Q'ty/Year			Remarks	
				per500	per1000	per2000		
32	41304105	ID-Y	1	-	-	-	ODA	
	41304106	ID-M	1	-	-	-	ODA	
	41304107	ID-C	1	-	-	-	ODA	
	41304108	ID-K	1	-	-	-	ODA	
	41304109	ID-Y	1	-	-	-	OEL/APS	
	41304110	ID-M	1	-	-	-	OEL/APS	
	41304111	ID-C	1	-	-	-	OEL/APS	
	41304112	ID-K	1	-	-	-	OEL/APS	
	33	41304205	Toner-Cartridge Type C2 Y (10K	1	-	-	-	ODA
		41304206	Toner-Cartridge Type C2 M (10K	1	-	-	-	ODA
		41304207	Toner-Cartridge Type C2 C (10K	1	-	-	-	ODA
		41304208	Toner-Cartridge Type C2 K (10K	1	-	-	-	ODA
41304209		Toner-Cartridge Type C2 Y (10K	1	-	-	-	OEL	
41304210		Toner-Cartridge Type C2 M (10K	1	-	-	-	OEL	
41304211		Toner-Cartridge Type C2 C (10K	1	-	-	-	OEL	
41304212		Toner-Cartridge Type C2 K (10K	1	-	-	-	OEL	
41304213		Toner-Cartridge Type C2 Y (10K	1	-	-	-	APS	
41304214		Toner-Cartridge Type C2 M (10K	1	-	-	-	APS	
41304215		Toner-Cartridge Type C2 C (10K	1	-	-	-	APS	
41304216		Toner-Cartridge Type C2 Y (10K	1	-	-	-	APS	
41382805		Toner-Cartridge Type C2 Y (5K)	1	-	-	-	ODA	
41382806		Toner-Cartridge Type C2 M (5K)	1	-	-	-	ODA	
41382807		Toner-Cartridge Type C2 C (5K)	1	-	-	-	ODA	
41382808		Toner-Cartridge Type C2 K (5K)	1	-	-	-	ODA	
41382809		Toner-Cartridge Type C2 y (5K)	1	-	-	-	OEL	
41382810		Toner-Cartridge Type C2 M (5K)	1	-	-	-	OEL	
41382811		Toner-Cartridge Type C2 C (5K)	1	-	-	-	OEL	
41382812		Toner-Cartridge Type C2 K (5K)	1	-	-	-	OEL	
41382813		Toner-Cartridge Type C2 Y (5K)	1	-	-	-	APS	
41382814		Toner-Cartridge Type C2 M (5K)	1	-	-	-	APS	
41382815		Toner-Cartridge Type C2 C (5K)	1	-	-	-	APS	
41382816		Toner-Cartridge Type C2 K (5K)	1	-	-	-	APS	
							166/	

# C7000 Colour Laser

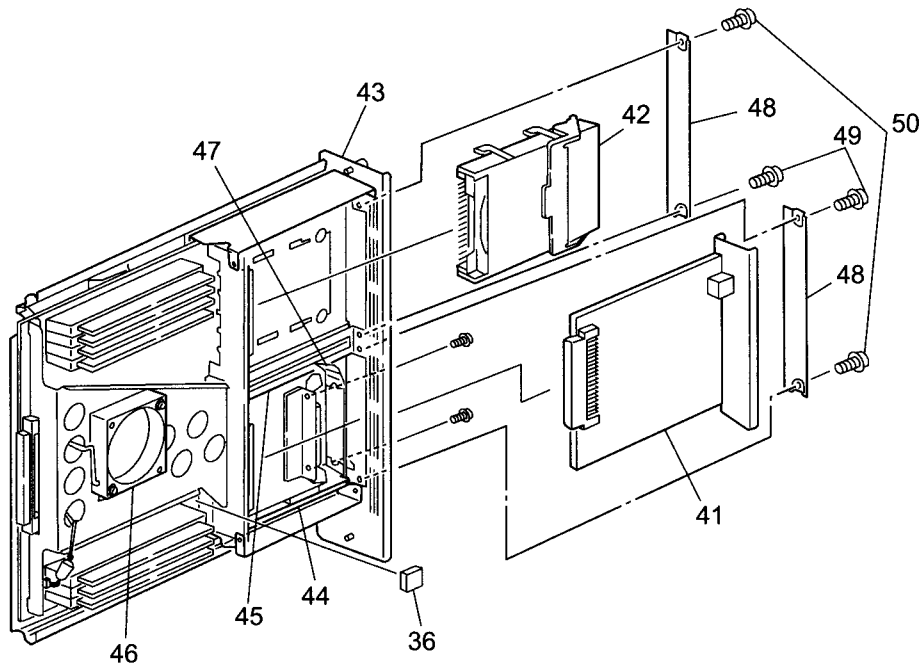


Figure 8-1-3/3

© OKI Systems (UK) Ltd. For further information contact TCL Technology Ltd on +44 (0)1865 368232 or spares@tcltech.co.uk

# C7000 Colour Laser

Table 8-1-3/3

No.	Parts No.	Name	/Unit	Recommended Q'ty/Year			Remarks
				per500	per1000	per2000	
34	41377401	Plate-Indicator	1	3	6	12	
35	41356009	PCB Assy-CRM	1	3	6	12	
36	8164323M0000	EEPROM(CU)	1	3	6	12	
37	41469503	Board-TNY	1	3	6	12	
38							
39	41437418	Board-Memory 64MB	1	3	6	12	1200dpi-ODA
	41437414	Board-Memory 64MB	1	3	6	12	1200dpi-OEL
	41437410	Board-Memory 64MB	1	3	6	12	1200dpi-APS
40	41437419	Board-Memory 128MB	1	3	6	12	1200dpi Duplex-ODA
	41437415	Board-Memory 128MB	1	3	6	12	1200dpi Duplex-OEL
	41437411	Board-Memory 128MB	1	3	6	12	1200dpi Duplex-APS
41	41376902	Board-MLET B09	-1	-3	-6	-12	Option-OEL
	41437302	Board-MLET B09	-1	-3	-6	-12	Option-APS
42	41376005	HDD Assy	-1	-3	-6	-12	Option-ODA
	41376004	HDD Assy	-1	-3	-6	-12	Option-OEL
	41376002	HDD Assy	-1	-3	-6	-12	Option-APS
43	41286901	Plate Shield	1	3	6	12	
44	41278601	Guide-Rail(A)	2	6	12	28	
45	41278701	Guide-Rail(B)	1	3	6	12	
46	41410201	Motor-Fan	1	3	6	12	
47	41467401	Plate-FG(Centro)	1	3	6	12	
48	41254601	Plate-Blank	2	6	12	28	
49	41278401	Screw	2	-	-	-	
50	41723901	Screw	2	-	-	-	

# C7000 Colour Laser

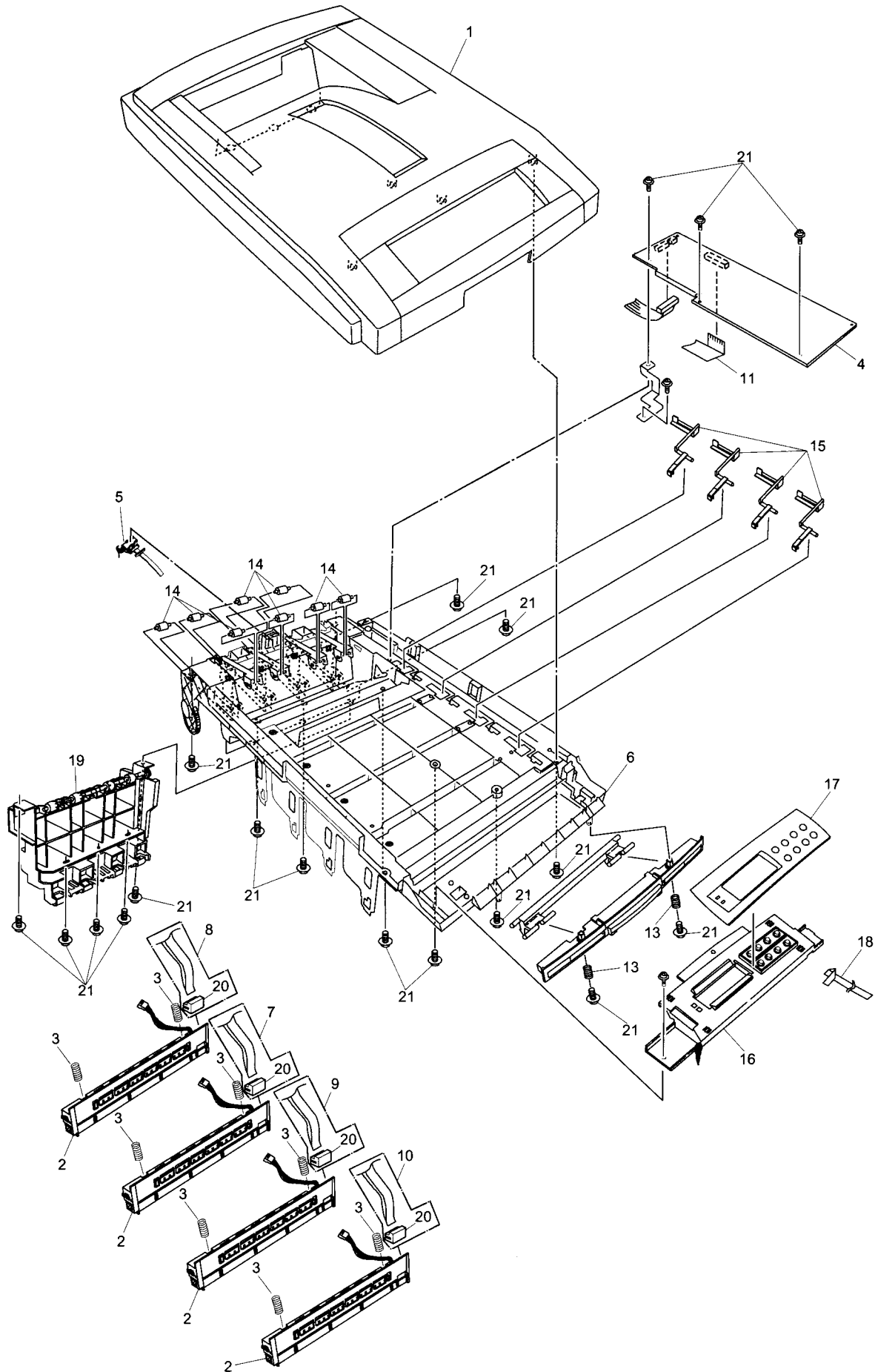


Figure 8-2

© OKI Systems (UK) Ltd. For further information contact TCL Technology Ltd on +44 (0)1865 368232 or spares@tcltech.co.uk

# C7000 Colour Laser

Table 8-2

## Top Cover Assembly

No.	Parts No.	Name	/Unit	Recommended Qty/Year			Remarks
				per500	per1000	per2000	
1	40859701	Top Cover	1	3	6	12	
2	41072401	LED Assy (1200dpi)	4	12	24	48	
	41072402	LED Assy (600dpi)	4	12	24	48	
3	40861001	LED Assy Spring	8	24	48	96	
4	41257901	LED Control PWB (Y71)	1	3	6	12	
5	40365404	Stacker Full Sensor	1	3	6	12	
6	41316501	TopCover	1	3	6	12	
7	41309603	LED Harness M	1	3	6	12	
8	41309604	LEDHarness	1	3	6	12	
9	41309602	LED HarnessY	1	3	6	12	
10	41309601	LEDHarnessK	1	3	6	12	
11	41593101	LED Control PWB Tape Harness	1	3	6	12	
12							
13							
14	40316701	Eject Roller	8	24	48	96	
15	40860601	Toner Sensor	4	12	24	48	
16	40866101	Control Panel Assy	1	3	6	12	
17	40866201	Control Panel Bezel	1	3	6	12	600dpi
	40866202	Control Panel Bezel	1	3	6	12	1200dpi
18	2381005P0015	Control Panel Tape Harness	1	3	6	12	
19	40861501	EjectGuide	1	3	6	12	
20	2251001 P0260	26pin LED Connector	4	12	24	48	
21	4PB4083-2500P008	Screw (T3x8)	19	-	-	-	



# C7000 Colour Laser

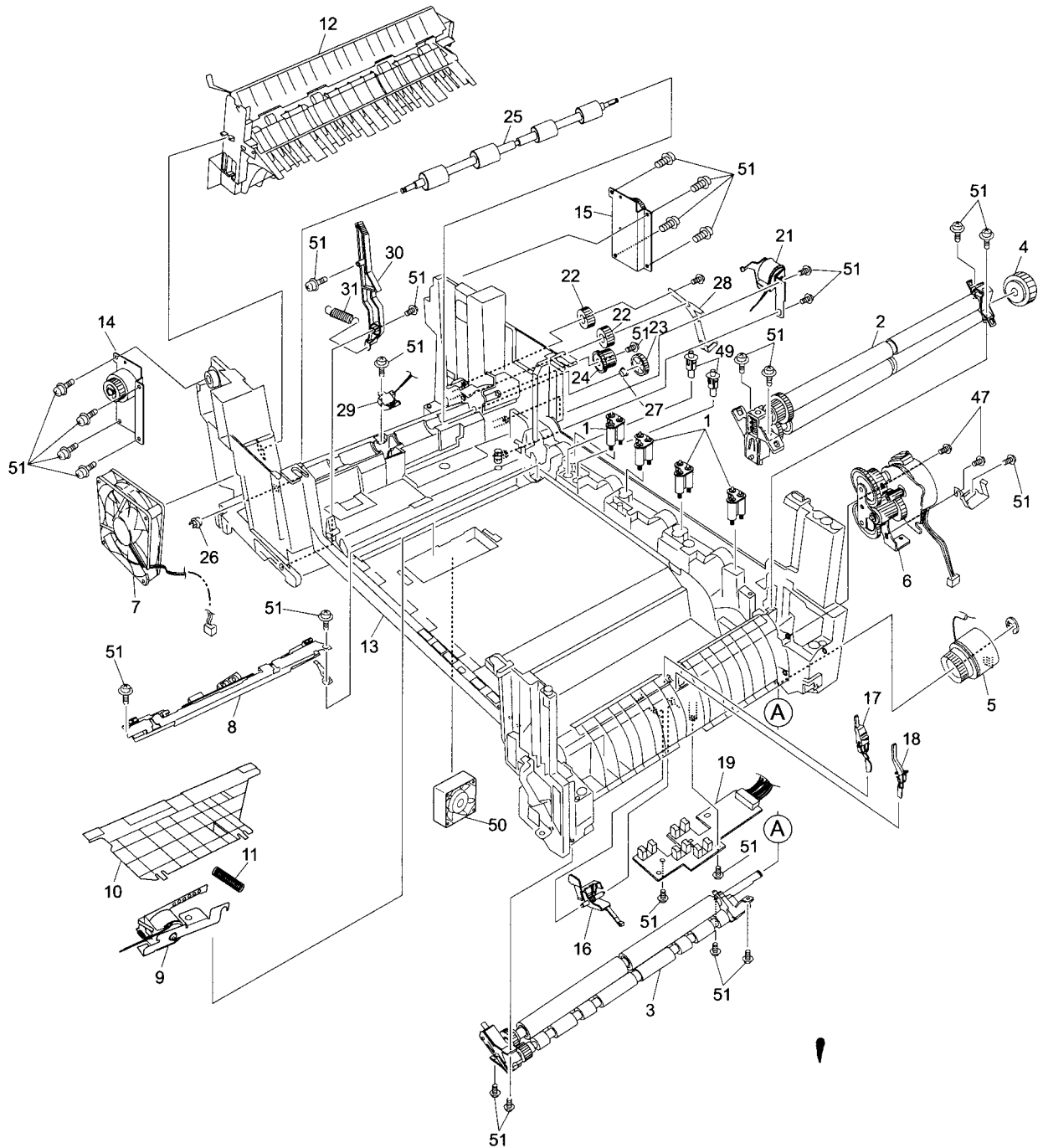


Figure 8-3-1/2

© OKI Systems (UK) Ltd. For further information contact TCL Technology Ltd on +44 (0)1865 368232 or spares@tcltech.co.uk

# C7000 Colour Laser

Table 8-3-1/2

## Printer Unit Chassis

No.	Parts No.	Name	/Unit	Recommended Qty/Year			Remarks
				per500	per1000	per2000	
1	41189701	Drum contactAssy	4	12	24	48	
2	40844301	Registration Roller Assy (A)	1	3	6	12	
3	40844303	Registration Roller Assy (B)	1	3	6	12	
4	40845401	Registration Drive Gear	1	3	6	12	
5	41187101	Registration Clutch	1	3	6	12	
6	40845801	Registration Motor Assy	1	3	6	12	
7	3PB4076-5290P001	Main Cooling Fan	1	3	6	12	
8	41346801	Color Registration Sensor Assy	1	3	6	12	
9	41253701	Registration Shutter Solenoid	1	3	6	12	
10	41275201	Registration Shutter	1	3	6	12	
11	41275301	Registration Shutter Spring	1	3	6	12	
12	40859201	Duplex Guide Assy	1	3	6	12	
13	40841101	Printer Unit Chassis	1	3	6	12	
14	41312801	LeftTop	1	3	6	12	
15	41312901	RightTop	1	3	6	12	
16	40841601	Entrance Sensor Actuator #1	1	3	6	12	
17	40841701	Entrance Sensor Actuator #2	1	3	6	12	
18	40841801	Entrance Sensor Actuator #3	1	3	6	12	
19	41258301	Entrance Sensor PWB (R71)	1	3	6	12	
20							
21	41253601	Duplex Gate Solenoid Assy		3		12	
22	40842401	Fuser Drive Gear -A	2	6	12	24	
23	40316301	Fuser Drive Gear-B	1	3	6	12	
24	41067201	Fuser Drive Gear-C	1	3	6	12	
25	40323901	Fuser Exit Roller	1	3	6	12	
26	4PP4076-3949P001	Fuser Exit Roller Bushing (L)	1	3	6	12	
27	4PP4043-4489P001	Fuser Exit Roller Bushing (R)	1	3	6	12	
28	40842501	Fuser Exit Roller Contact	1	3	6	12	
29	41073601	Exit SensorAssy	1	3	6	12	
30	40841301	Fuser Latching Handle (L)	1	3	6	12	
31	40841501	Fuser Latching Handle Springs	2	6	12	24	
32	40848801	Belt Motor Assy	1	3	6	12	
33	40841401	FuserLatching Handle (R)	1	3	6	12	
34							
35	40847301	Main Motor Assy	1	3	6	12	

# C7000 Colour Laser

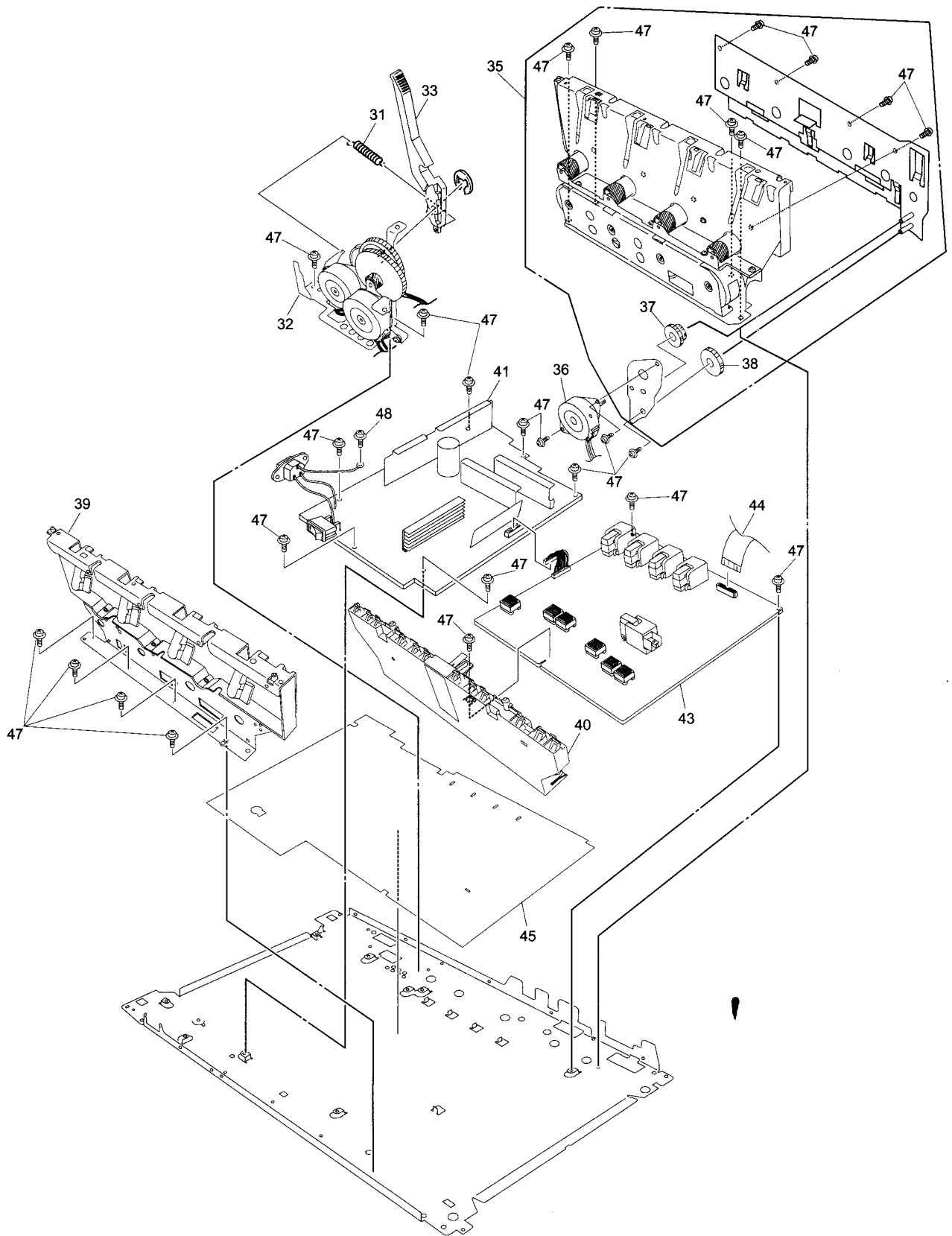


Figure 8-3-2/2

© OKI Systems (UK) Ltd. For further information contact TCL Technology Ltd on +44 (0)1865 368232 or spares@tcltech.co.uk

# C7000 Colour Laser

Table 8-3-2/2

No.	Parts No.	Name	/Unit	Recommended Q'ty/Year			Remarks
				per500	per1000	per2000	
36	40846001	Main Feeder Drive Motor	1	3	6	12	
37		Main Feeder Drive Gear A	1	3	6	12	
38	40848601	Main Feeder Drive Gear B	1	3	6	12	
39	41303601	Left Plate Assy	1	3	6	12	
40	40850201	Contact Assy	1	3	6	12	
41	40737401	Power-Unit AC-DC-switching(115	1	3	6	12	
	40737501	Power-Unit AC-DC-switching(230	1	3	6	12	
42							
43	40737601	Power-Unit (high-voltage)	1	3	6	12	
44	2381018P0001	HVTape Harness	1	3	6	12	
45	41128101	Power Supply Insulator	1	3	6	12	
46							
47	4PB4013-3100P006	Screw (M3x6)	26	-	-	-	
48	PSW4-8C	Screw (M4x8)	1	-	-	-	
49	41346301	Transfer Contact Assy	2	6	12	24	
50	41469001	PowerCooling Fan	1	3	6	12	
51	4PB4083-2500P008	Screw (T3x8)	29	-	-	-	

# C7000 Colour Laser

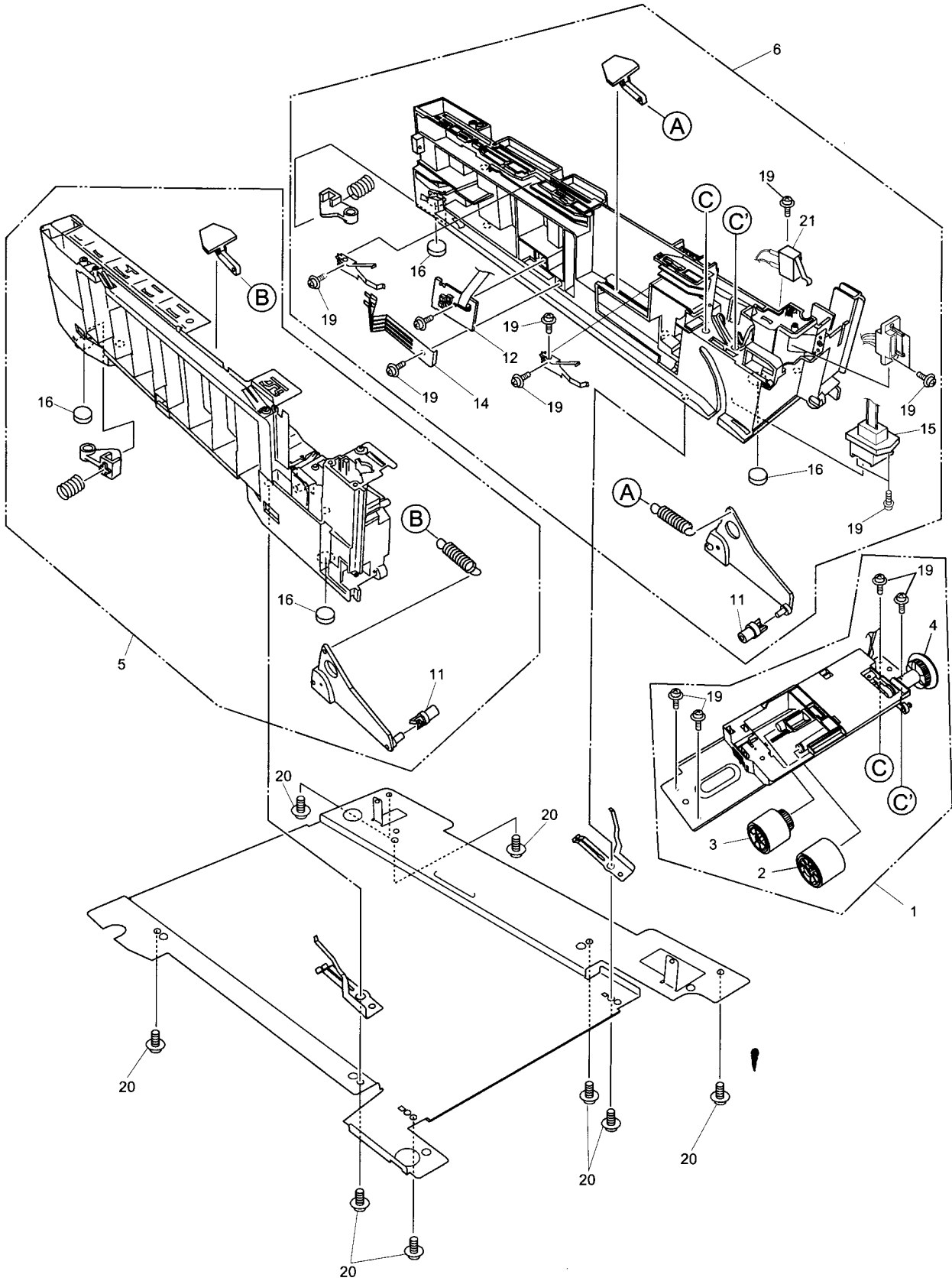


Figure 8-4

© OKI Systems (UK) Ltd. For further information contact TCL Technology Ltd on +44 (0)1865 368232 or spares@tcltech.co.uk

# C7000 Colour Laser

Table 8-4

## Paper Tray Guide

No.	Parts No.	Name	/Unit	Recommended Q'ty/Year			Remarks
				per500	per1000	per2000	
1	40839801	Main Feed Assy	1	3	6	12	
2	40371301	Feed Roller	1	3	6	12	
3	40313201	Nudger Roller	1	3	6	12	
4	40325401	Main Feeder Drive Gear	1	3	6	12	
5	40839001	Left Cassette Guide Assy	1	3	6	12	
6	40839401	Right Cassette Guide Assy	1	3	6	12	
7							
8							
9							
10							
11	40349701	Plastic Roller	2	6	12	24	
12	40368304	Paper Size Sensing PWB PXC	1	3	6	12	
13							
14	4PP4076-5360P001	Paper Size Actuator	1	3	6	12	
15	41309301	2nd Tray Connector	1	3	6	12	
16	4PB4016-1960P002	Foot	4	12	24	48	
17							
18							
19	4PB4083-2500P008	Screw (T3x8)	13	-	-	-	
20	4PB4083-5670P002	Screw (T4x10)	8	-	-	-	
21	41275901	Front Cover Open Switch	1	3	6	12	

# C7000 Colour Laser

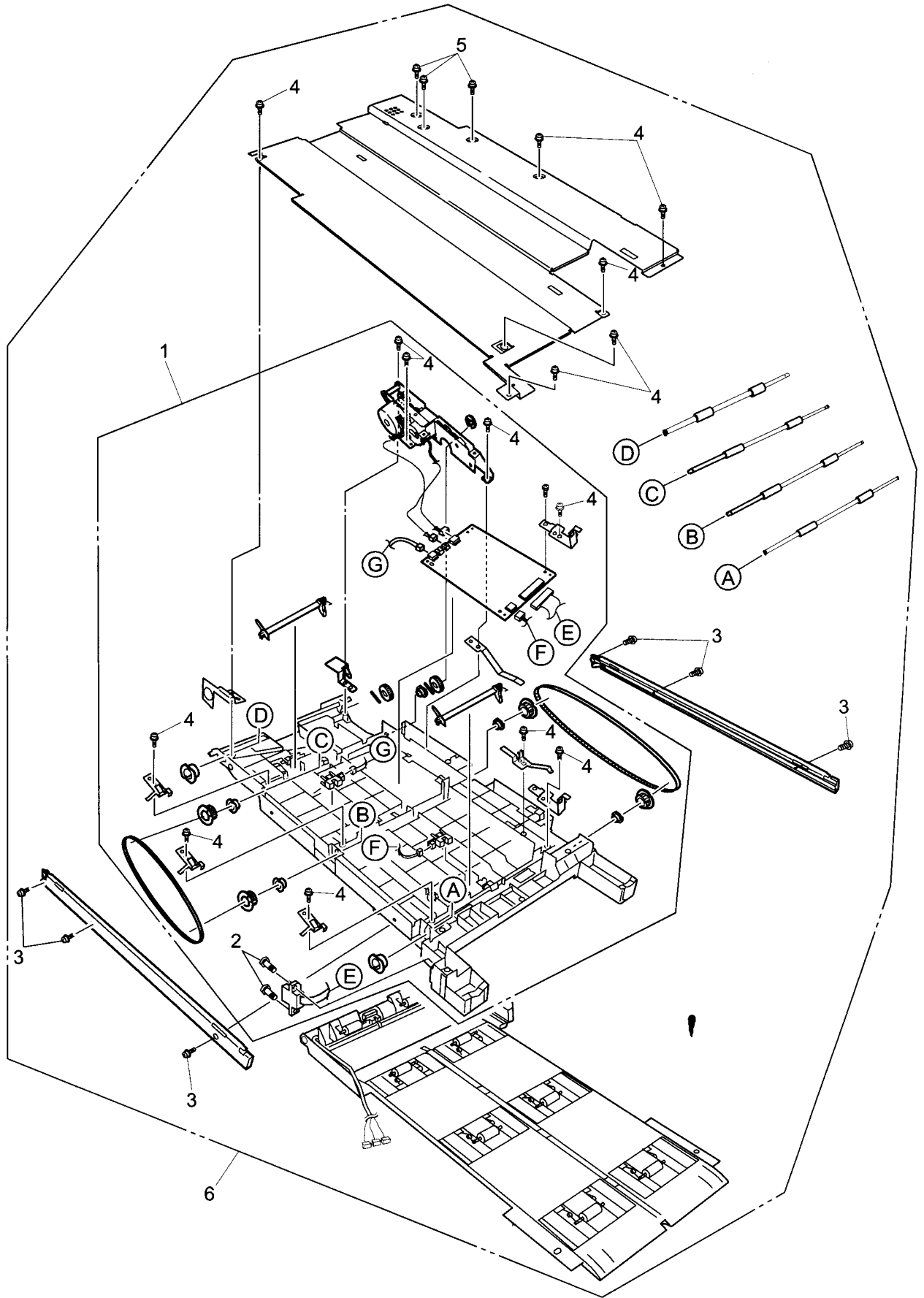


Figure 8-5

© OKI Systems (UK) Ltd. For further information contact TCL Technology Ltd on +44 (0)1865 368232 or spares@tcltech.co.uk

# C7000 Colour Laser

Table 8-5

## Duplex Unit

No.	Parts No.	Name	/Unit	Recommended Q'ty/Year			Remarks
				per500	per1000	per2000	
1	41305301	Duplex Transport Assy	1	3	6	12	
2	4PB4043-4718P001	Screw (SP3xIO)	2	-	-	-	
3	4PB4083-2500P010	Screw (T3xIO)	6	-	-	-	
4	4PB4083-2500P008	Screw (T3x8)	15	-	-	-	
5	4PB4013-3100P006	Screw (M3x6)	3	-	-	-	
6	41372901	Duplex Unit	1	-	-	-	ODA
	41372903	Duplex Unit	1	-	-	-	OEL
	41372907	Duplex Unit	1	-	-	-	APS