

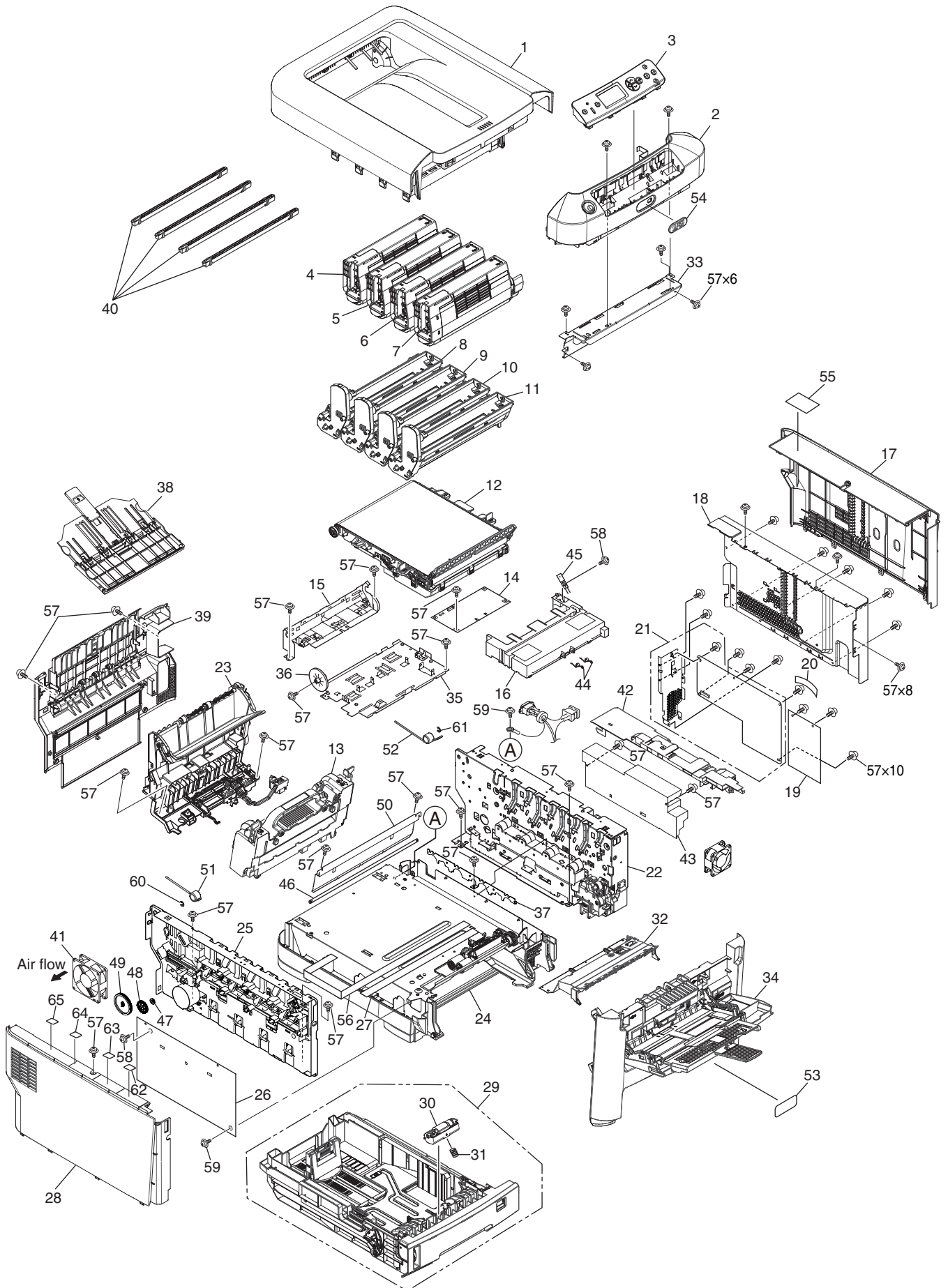
OEL Recommended Spare Parts List

C710

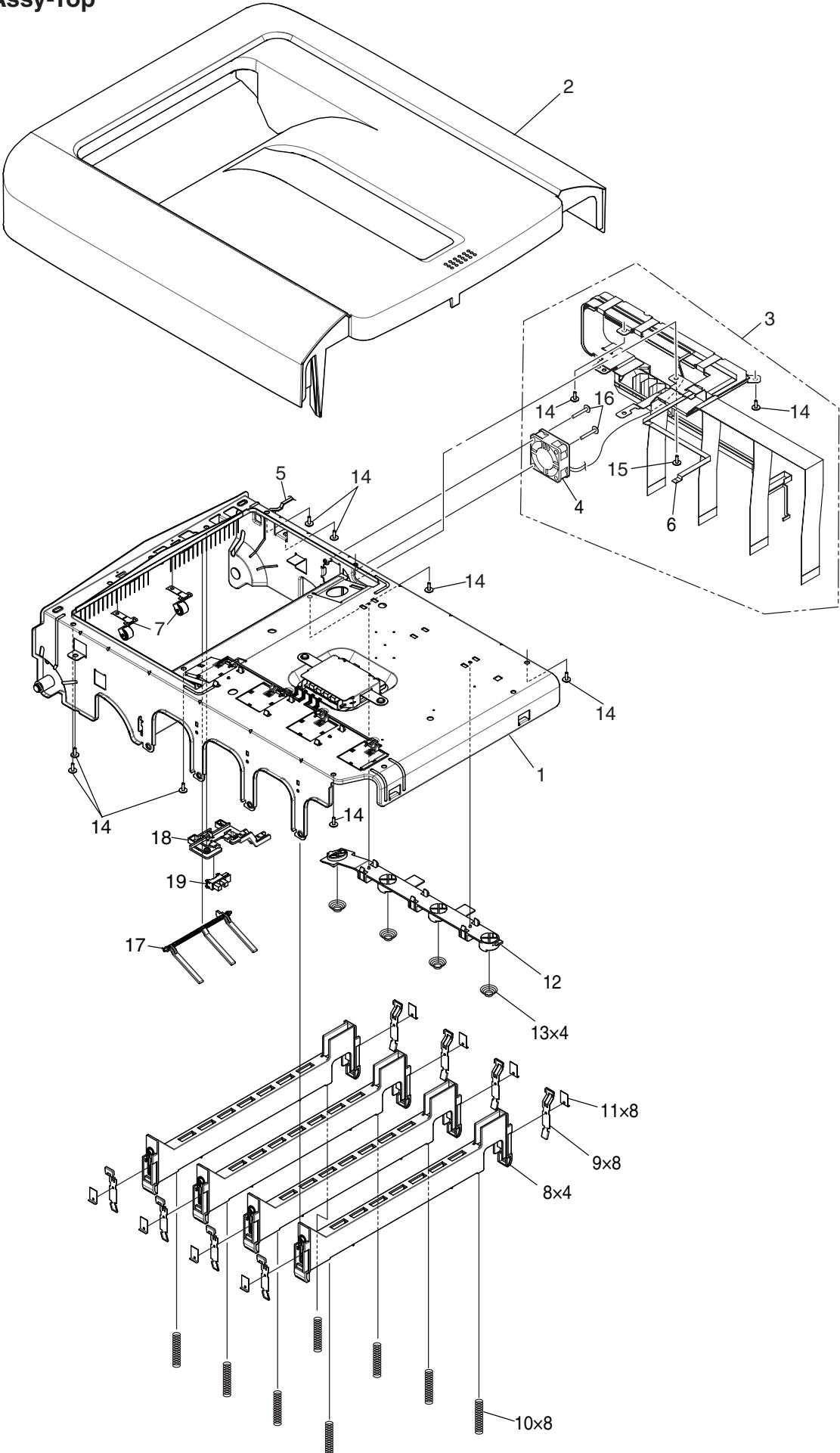


Revision 7

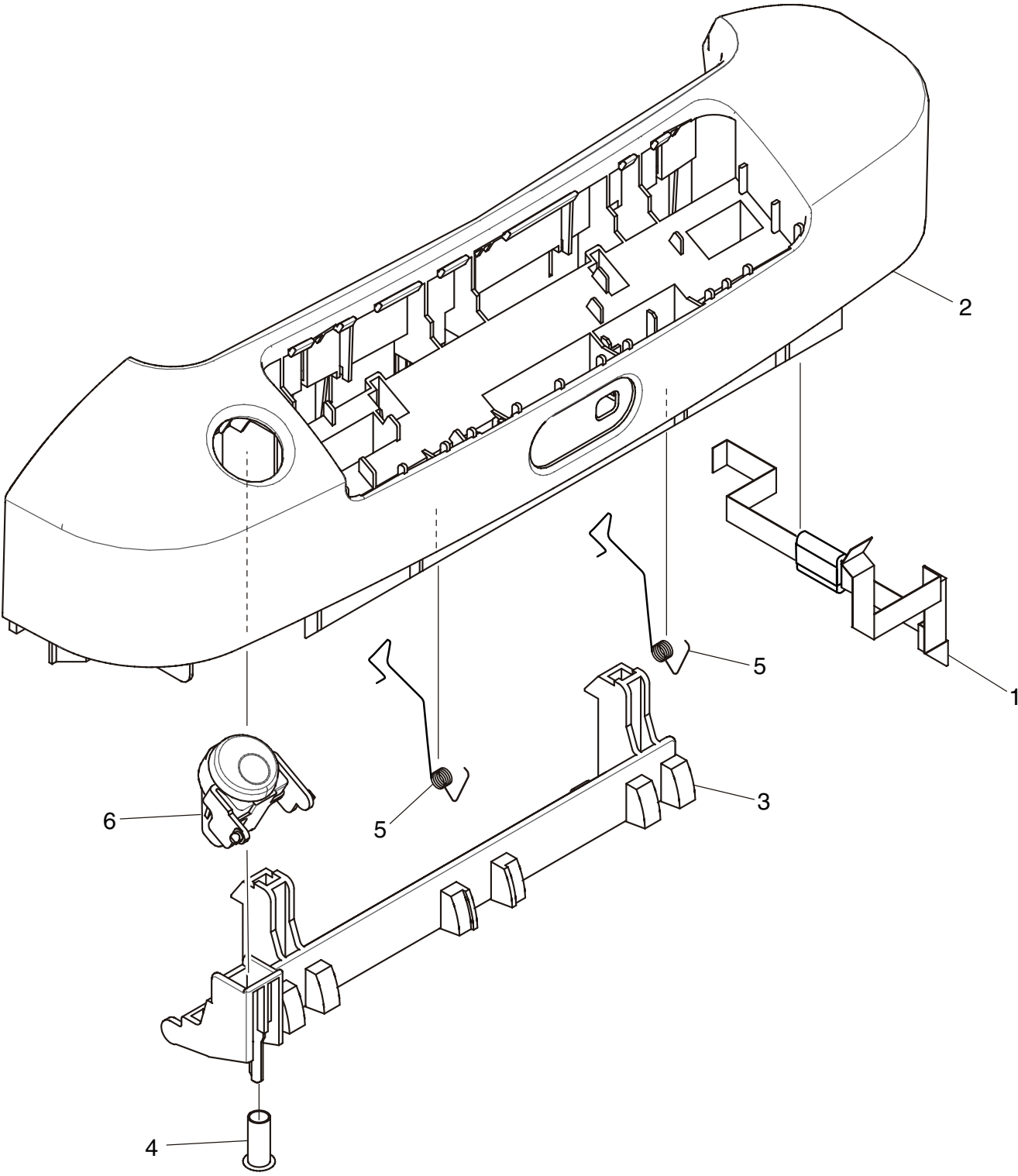
Printer NIP



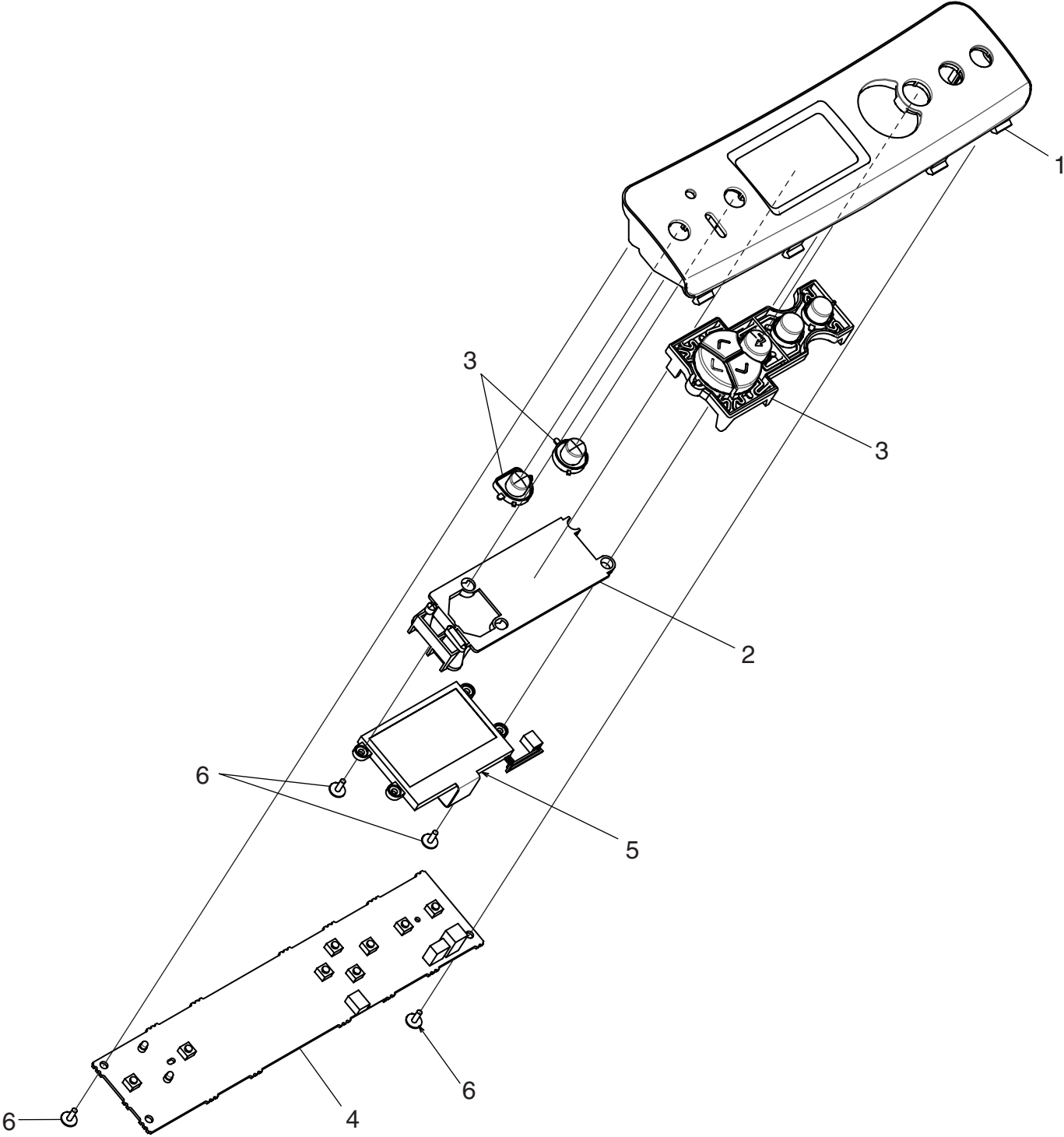
Cover-Assy-Top



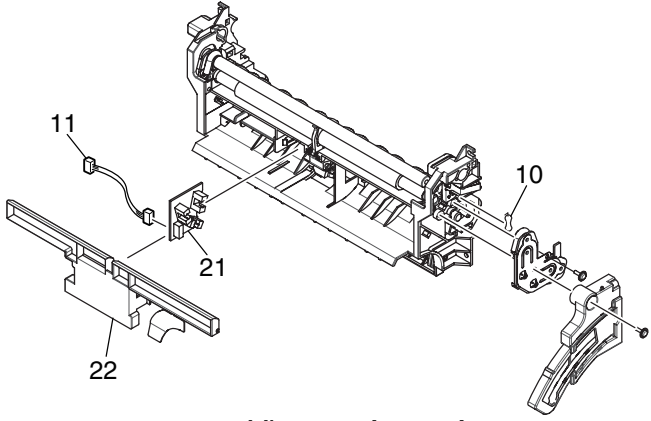
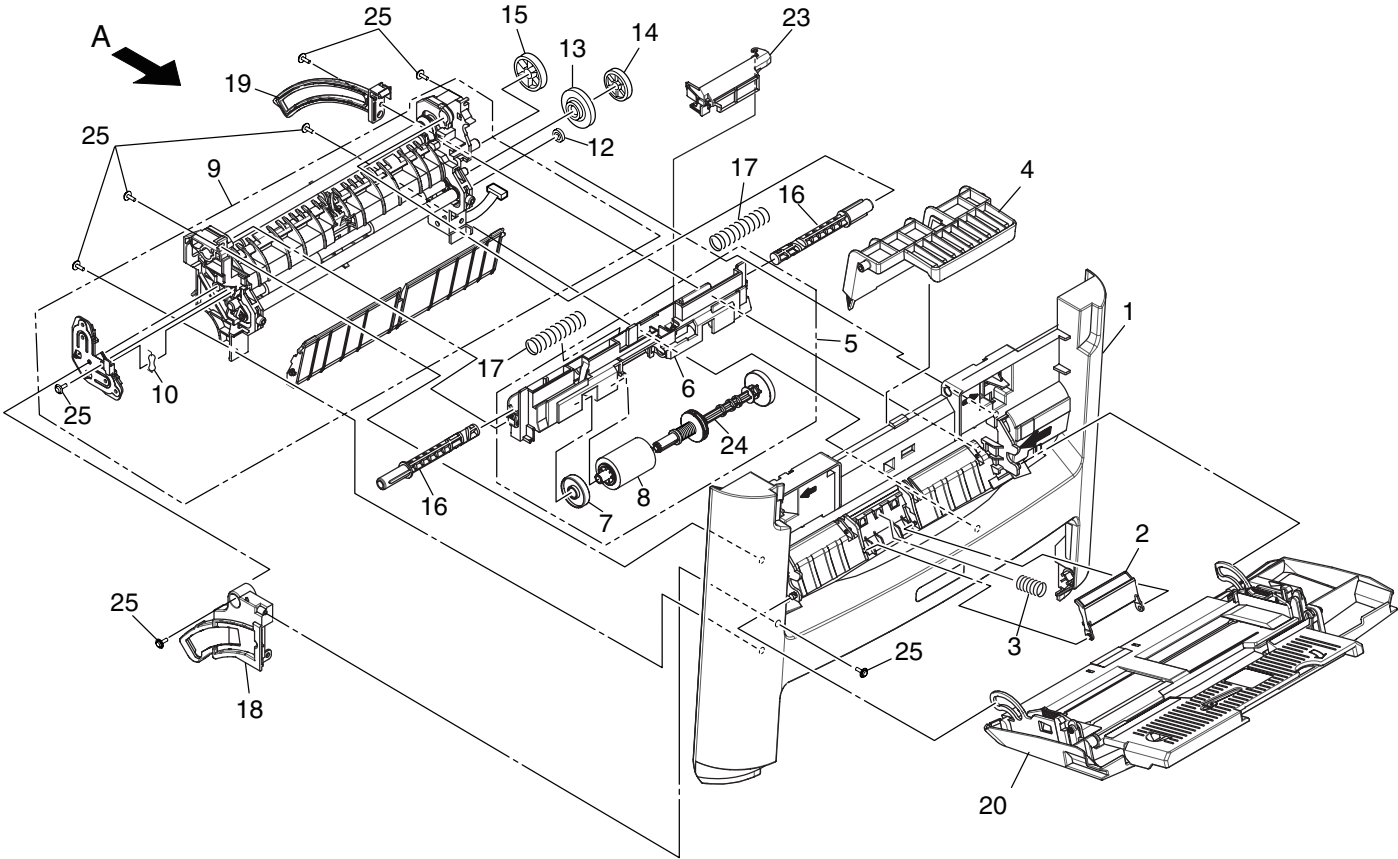
Frame Assy-OP



Cover Assy-OP



Feeder-Unit-PX741



View on Arrow A

Plate-Assy-Side R (PX741)

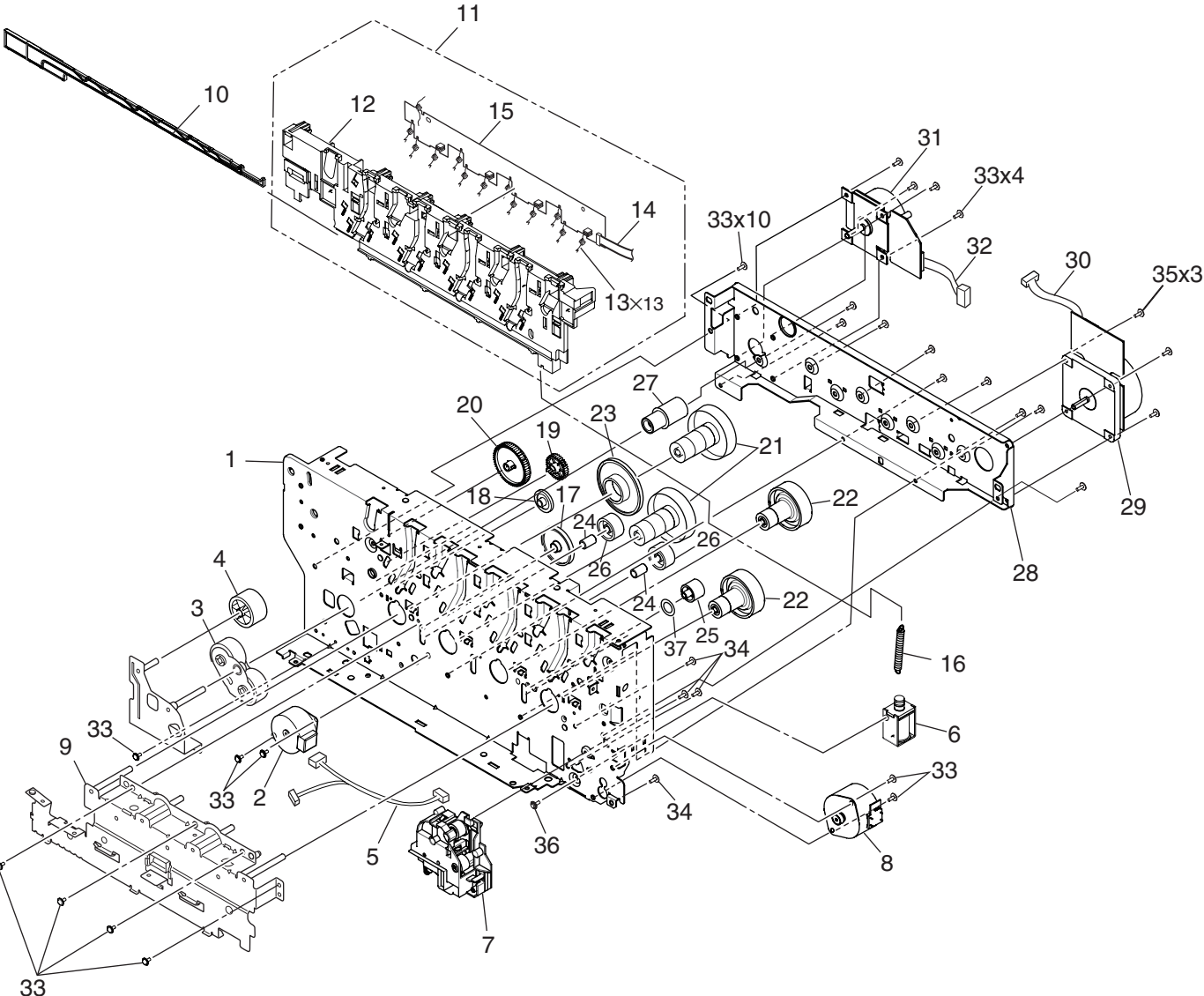


Plate-Assy-Side L (PX741)

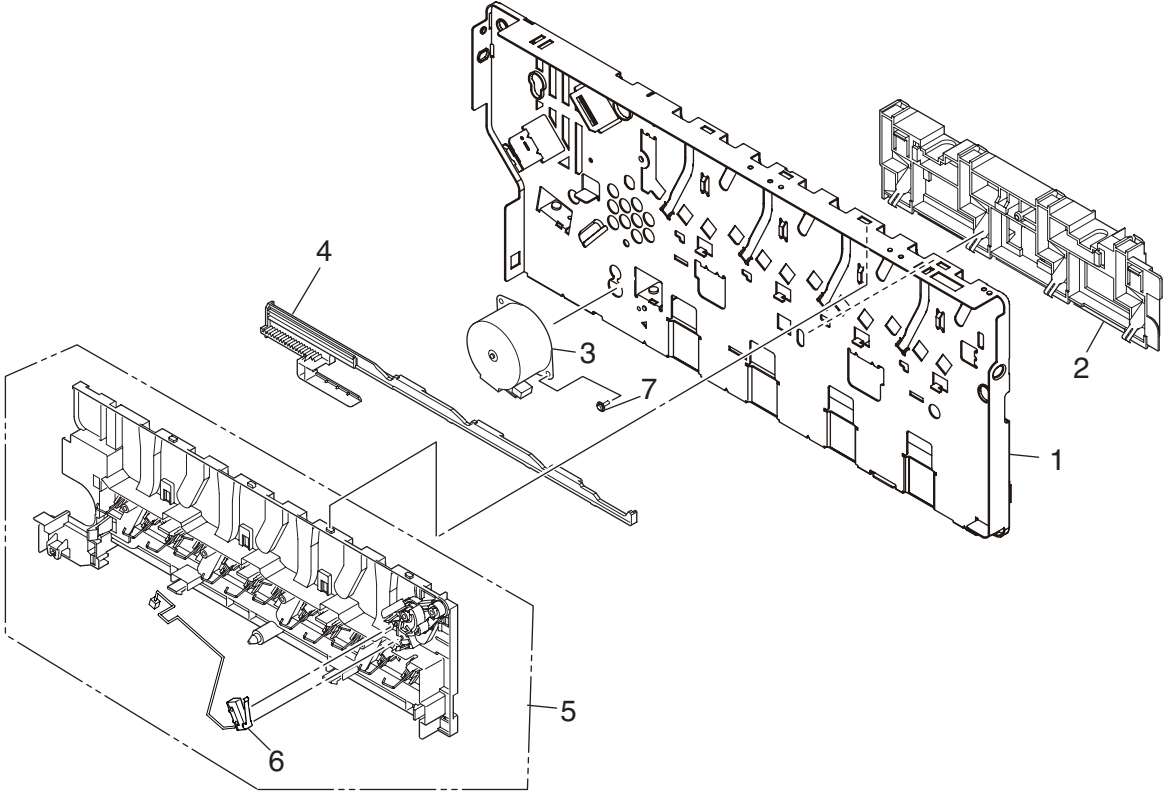
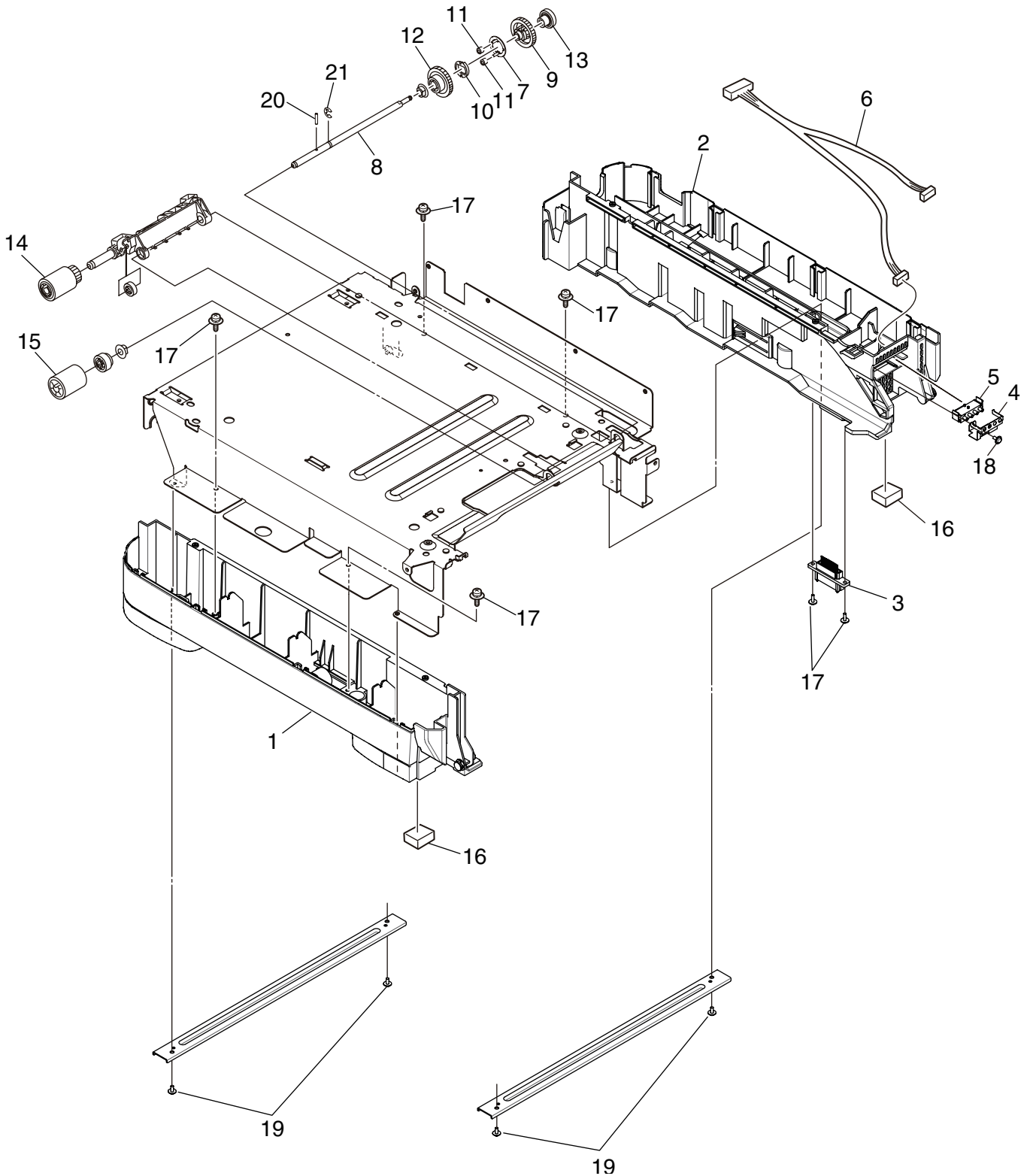
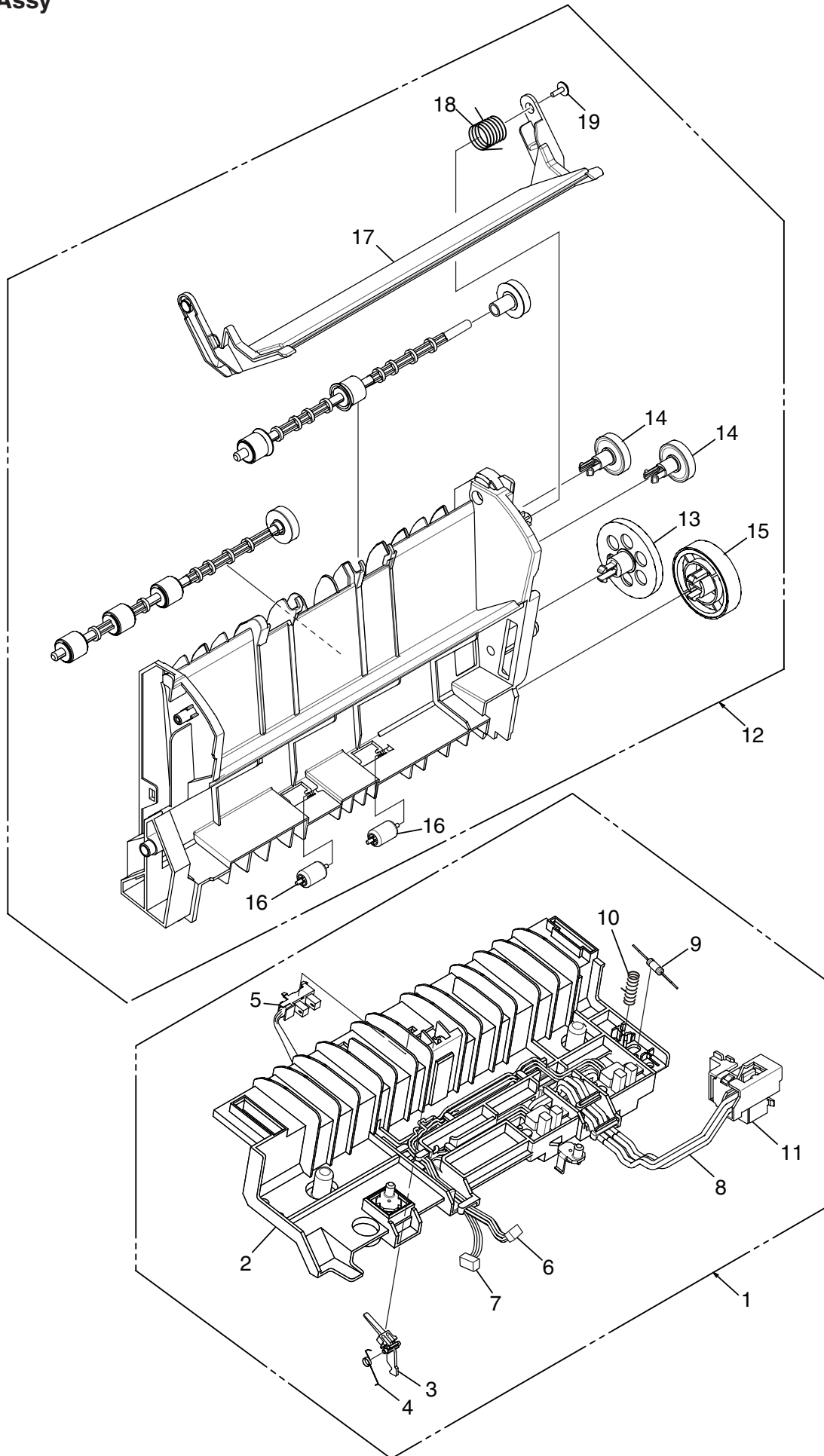


Plate-Assy-Base



Eject-Assy



Rev	Unit Name	No.	Part No.	Part Name	Qty /Unit	Recommended Qty/Year			Remarks	Del/ Add	Remarks for environment
						per 500	per 1000	per 2000			
	Printer-NIP	1	43896203	Cover-Assy.-Top	1	1	2	4			-
	Printer-NIP	2	43895201	Frame Assy.-OP	1	1	2	4			-
	Printer-NIP	3	43895301	Cover Assy.-OP	1	2	4	8			-
	Printer-NIP	14	43131301	OR-PRY	1	2	4	8	Board-PRY		-
	Printer-NIP	15	43917501	Sensor Assy.-Color-Regist	1	2	4	8			-
	Printer-NIP	16	42066901	Cover-Driver	1	1	2	4			-
	Printer-NIP	17	43917801	Cover-Assy.-SideR-741	1	1	2	4			-
	Printer-NIP	18	43738101	Plate-Shield-A	1	1	2	4			-
6	Printer-NIP	19	44161201	PRH maintenance board specification(OEL)	1	2	4	8	Board-PU (OEL)		-
	Printer-NIP	20	2381003P0093	TW-VF/SMCD16-40-1.0	1	1	2	4	PU-CU		-
	Printer-NIP	21	43793723	Board-TB2	1	2	4	6	Contoroler Board CU (PCL) (Board TB2) C710(OEL)		-
5	Printer-NIP	21	43793729	Board-TB2 for Maintenance(ES3032 OEL)	1	2	4	6	Contoroler Board CU (PCL) (Board TB2) ES3032(OEL)		-
	Printer-NIP	22	43921901	Plate Assy.-Side R(PX741)	1	2	4	8			-
	Printer-NIP	23	43924301	Eject Assy.-PX741	1	2	4	8			-
	Printer-NIP	24	43894301	Plate Assy.-Base	1	2	4	8			-
	Printer-NIP	25	43074903	Plate Assy.-Side L(PX-741)	1	2	4	8			-
	Printer-NIP	26	43770701	PWR unit-DCDC	1	2	4	8	High Voltage		-
	Printer-NIP	27	43393801	CONN-High Voltage(Bend)	1	1	2	4			-
	Printer-NIP	28	43738301	Cover-Side(L)	1	1	2	4			-
	Printer-NIP	29	43894901	Cassette-Assy-PX741	1	1	2	4			-
	Printer-NIP	30	43895001	Frame-Assy-Retard	1	3	6	12			-
	Printer-NIP	31	43963101	Spring-Retard	1	3	6	12			-
	Printer-NIP	32	43894801	Cover Assy.-Hopping	1	2	4	8			-
	Printer-NIP	33	42067602	Plate-Front	1	1	2	4			-
	Printer-NIP	34	43895401	Feeder-Unit-PX741	1	2	4	8			-
	Printer-NIP	35	42062102	Plate-Driver(PU)(Caulking)	1	1	2	4			-
	Printer-NIP	36	43076101	Gear-Idle-Belt-Z20Z93	1	1	2	4			-
	Printer-NIP	37	43073510	Plate-Lockout-ID	1	1	2	4			-
	Printer-NIP	38	43078702	Cover Assy.-FaceUP	1	1	2	4			-
	Printer-NIP	39	43917701	Cover-Sub Assy.-Rear	1	1	2	4			-
	Printer-NIP	40	43295201	LED Head Unit-51STA	4	2	4	8	600DPI		-
	Printer-NIP	41	43289101	OR-Motor-FAN(80)	1	1	2	4	FUSER		-
	Printer-NIP	42	43746401	Guide-Cable-(Pow-low)	1	1	2	4			-
	Printer-NIP	43	43987801	PWR unit-ACDC Switch	1	2	4	8	Power Unit (LOW Voltage) 200V(OEL, ODA, AOS)		-
	Printer-NIP	44	42067001	Spring-BeltFuse	2	1	2	4			-
	Printer-NIP	45	42605201	Thermistor-Belt	1	2	4	8			G
	Printer-NIP	46	43076501	Shaft-Liftup-PX734	1	1	2	4			-
	Printer-NIP	47	42060701	Bush	1	1	2	4			-
	Printer-NIP	48	43075201	Gear-LiftupL-Z32	1	1	2	4			-
	Printer-NIP	49	43075501	Gear-LiftUpLinkL-Z56	1	1	2	4			-
	Printer-NIP	50	43110801	Plate-Heat	1	1	2	4			-
	Printer-NIP	51	43921201	Spring-Torsion(L)	1	1	2	4			-
	Printer-NIP	52	43921301	Spring-Torsion(R)	1	1	2	4			-
	Printer-NIP	55	43929901	Label-FuserJAM	1	1	2	4			-
	Printer-NIP	56	43348901	CONN-Cord-FlexyDP(Bend)	1	2	4	8	PU-PRY		-
	Printer-NIP	62	43281101	Label-Color K	1	1	2	4			-
	Printer-NIP	63	43281102	Label-Color Y	1	1	2	4			-
	Printer-NIP	64	43281103	Label-Color M	1	1	2	4			-
	Printer-NIP	65	43281104	Label-Color C	1	1	2	4			-
	Cover-Assy.-Top	3	43896301	Cable-Assy.-Head	1	2	4	8			-
	Cover-Assy.-Top	6	43297002	Cable-RFID(bend)	1	1	2	4			-
	Frame Assy.-OP	1	43987901	Core Assy.-FFC	1	1	2	4	OP Panel-PU		-
	Cover Assy.-OP	4	43925101	OR-PRG	1	1	2	4	Board-PRG		-
	Feeder-Unit-PX741	11	43809401	CONN Cord-AMP5P-	1	1	2	4	RSF-PU		-
	Feeder-Unit-PX741	21	42135802	Board-RSF	1	2	4	8	Front Sensor		G
	Plate-Assy.-Side R(PX741)	2	43276201	OR-Motor_Pulse_Liftup	1	1	2	4			-
	Plate-Assy.-Side R(PX741)	5	43138001	CONN Cord-AMP8P-AMP4PAMP4P	1	1	2	4	Belt/IDUP Motor-PU		-
	Plate-Assy.-Side R(PX741)	6	42058303	Solenoid	1	1	2	4			G
7	Plate-Assy.-Side R(PX741)	7	43896501	Gear Assy.-HP (PX741)	1	1	2	4			-
	Plate-Assy.-Side R(PX741)	8	43925301	Motor-Pulse-Hop	1	1	2	4			-
	Plate-Assy.-Side R(PX741)	14	2381003P0034	TW-VF/SMCD11-150-1.0	1	1	2	4	PRZ-PU		-
	Plate-Assy.-Side R(PX741)	15	43131601	OR-PRZ	1	1	2	4	Board-PRZ Toner Sensor		-
	Plate-Assy.-Side R(PX741)	29	43923501	Motor-DC-ID-65M	1	1	2	4			-
	Plate-Assy.-Side R(PX741)	30	43810301	CONN Cord-AMP11P-AMP11P	1	1	2	4	ID Motor-PU		-
	Plate-Assy.-Side R(PX741)	31	43070601	Motor-DC-FU-45M	1	1	2	4			-
	Plate-Assy.-Side R(PX741)	32	43138301	CONN Cord-AMP9P-	1	1	2	4	Fuser Motor-PU		-
	Plate-Assy.-Side L(PX-741)	3	43276401	OR-Motor_Pulse_Belt	1	1	2	4			-
	Plate-Assy.-Side L(PX-741)	6	43945401	CONN Cord-AMP4P-SW	1	2	4	8	Micro switch-Assy		-
	Plate-Assy.-Base	3	2233013P0120	9715B-12Z02-G4C	1	2	4	8			G
	Plate-Assy.-Base	5	2052000P4000	HS12-0001	1	1	2	4			G
	Plate-Assy.-Base	6	43810201	CONN Cord-AMP9P-AMP4PAMP5P	1	1	2	4			-
	Plate-Assy.-Base	14	42699401	Roller-Pick-Up	1	1	2	4			-
	Plate-Assy.-Base	15	43000601	Roller-Feed-NOW	1	1	2	4			-
	Plate-Assy.-Base	16	42049901	Rubber-Foot	2	2	4	8			-
	Eject-Assy	1	43076303	Guide Assy.-Eject-L	1	1	2	4			-