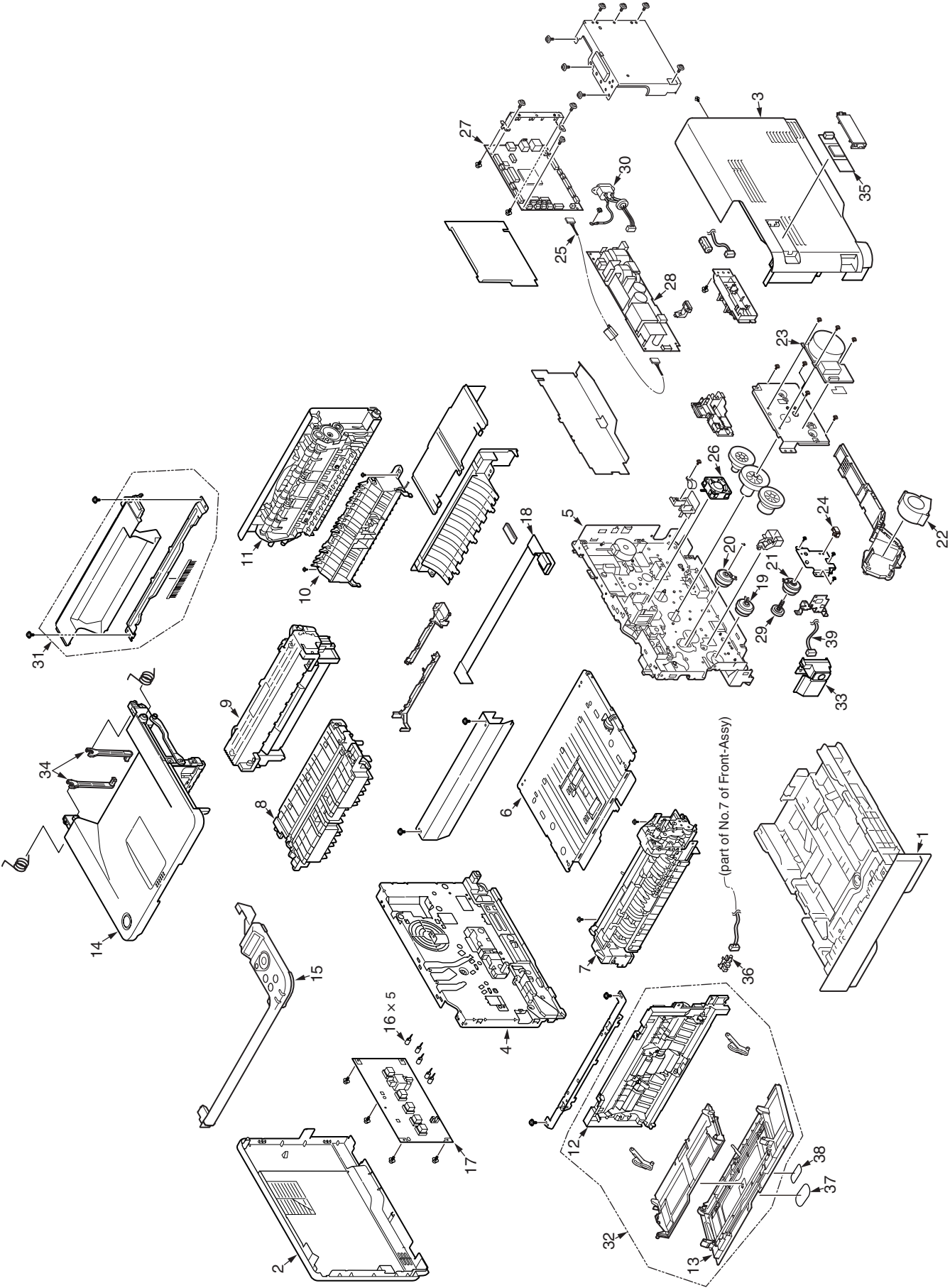


# OEL Spare Parts Drawing

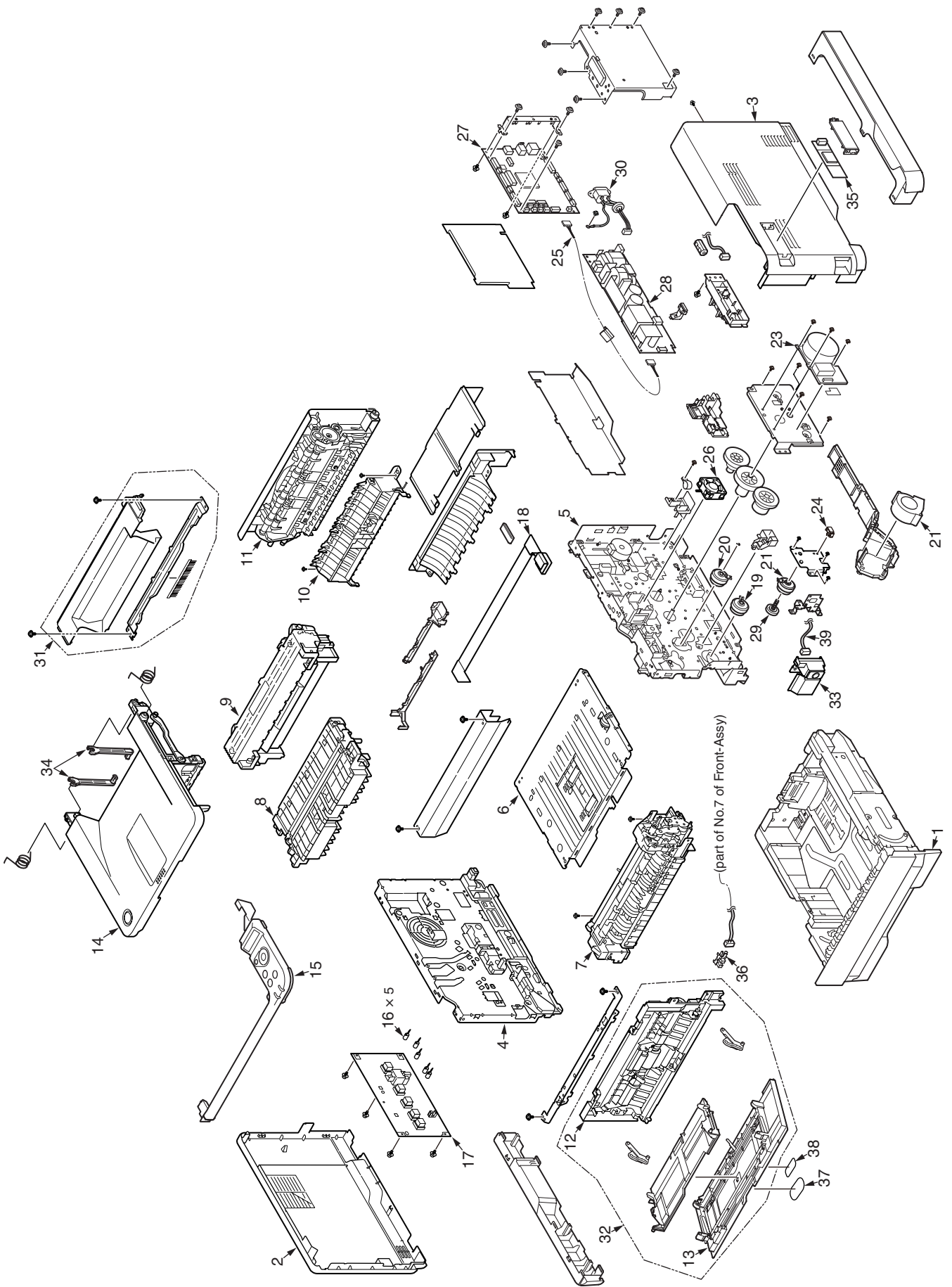
B412dn/B432dn/B512dn  
ES4132dn/ES5112dn

Revision 2

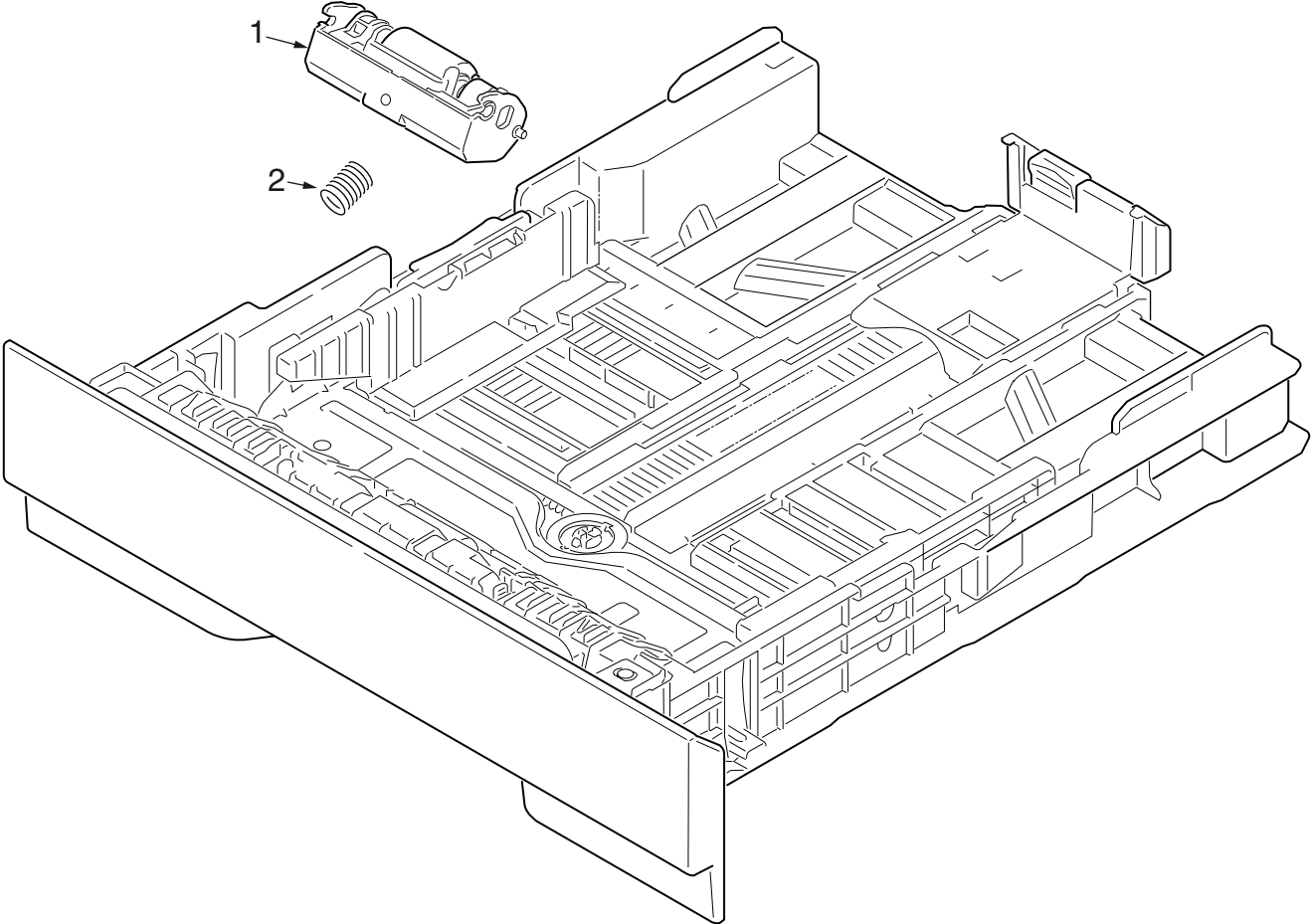
Printer Unit(B412/B432/ES4132)



# Printer Unit(B512/ES5112)



**Cassette-Assy(B412/B432/ES4132)**



**Cassette-Assy(B512/ES5112)**

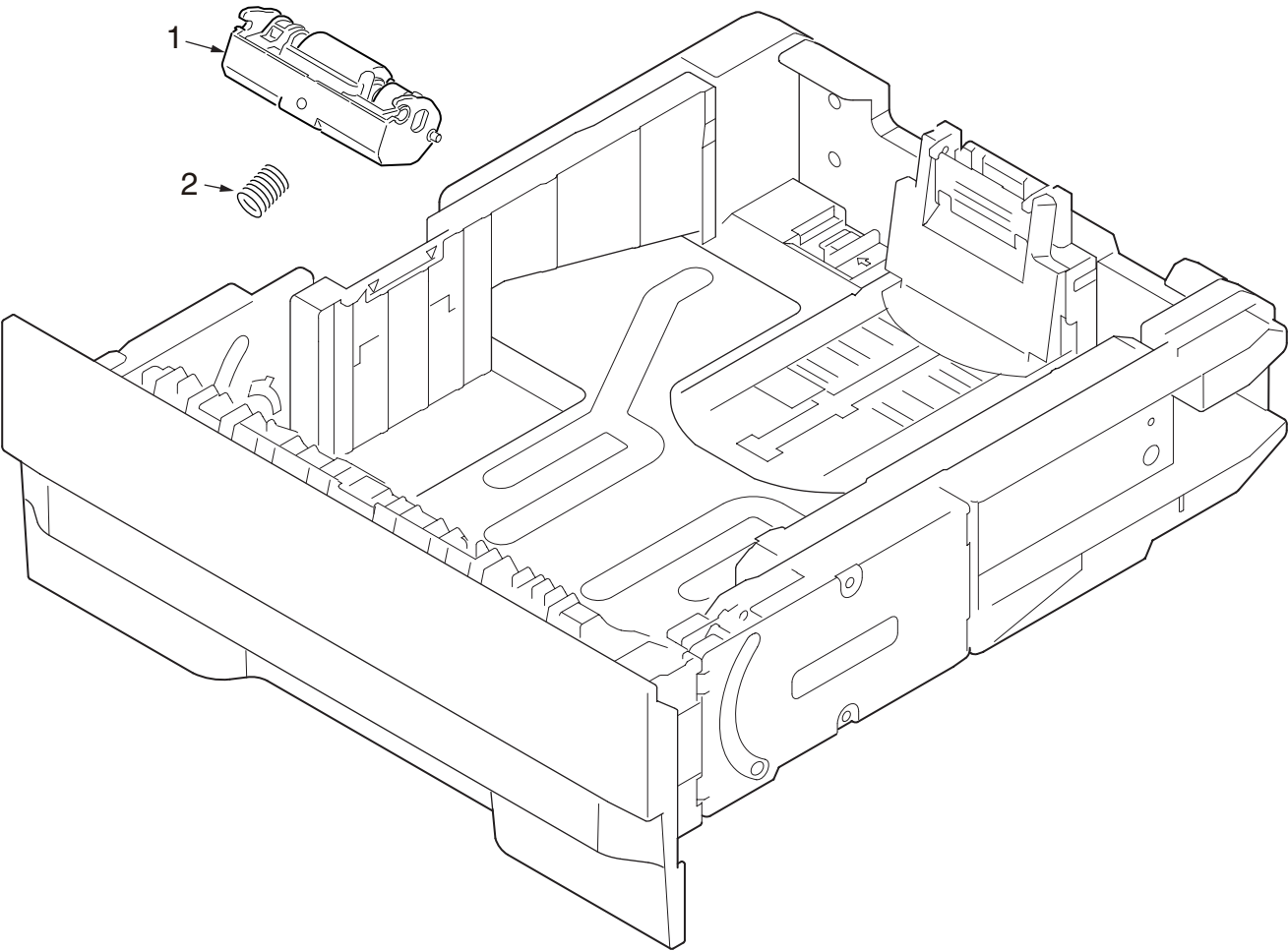


Plate-Assy-Side-L(B412/B432/ES4132)

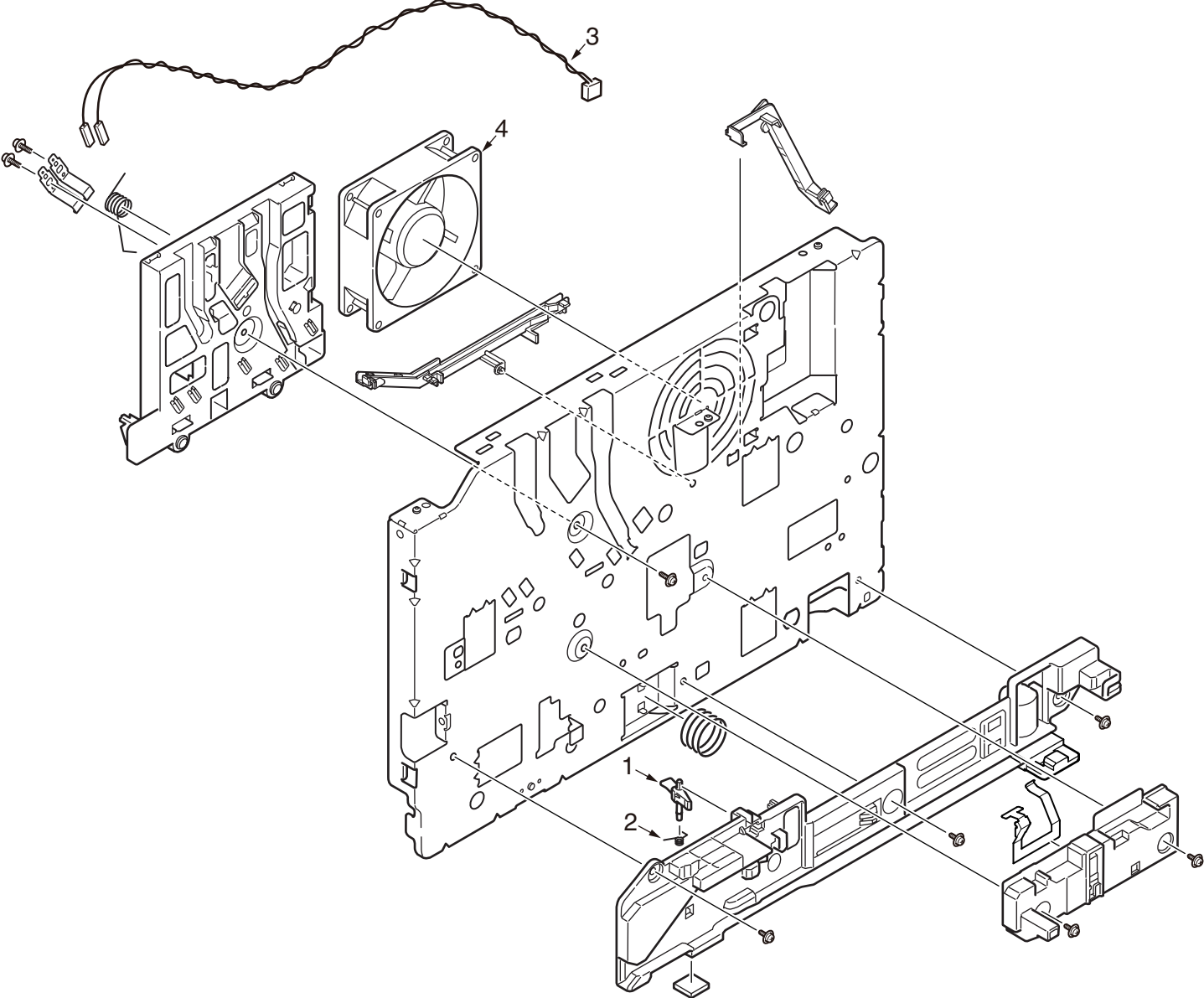


Plate-Assy-Side-L(B512/ES5112)

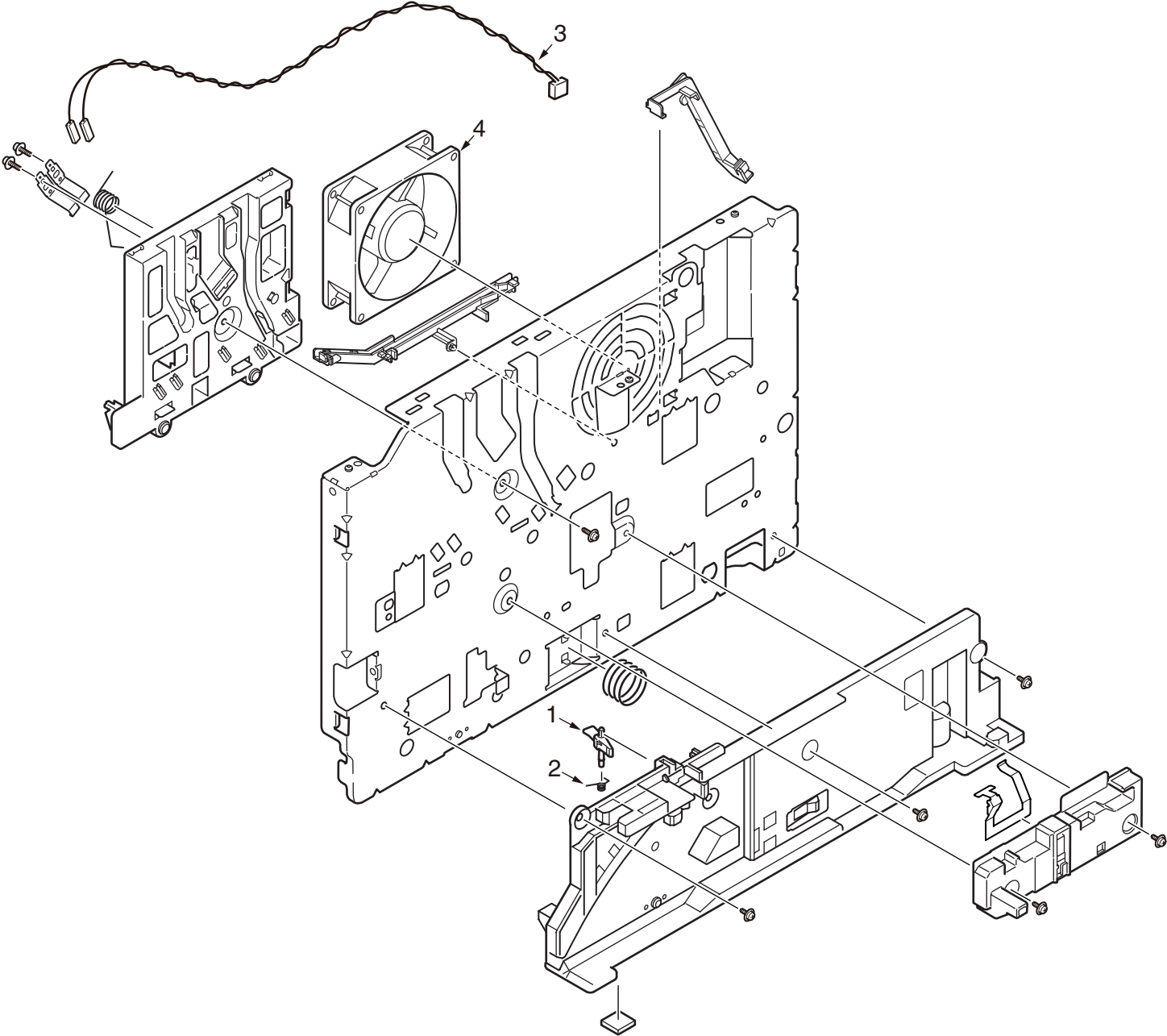


Plate-Assy-Side-R(B412/B432/ES4132)

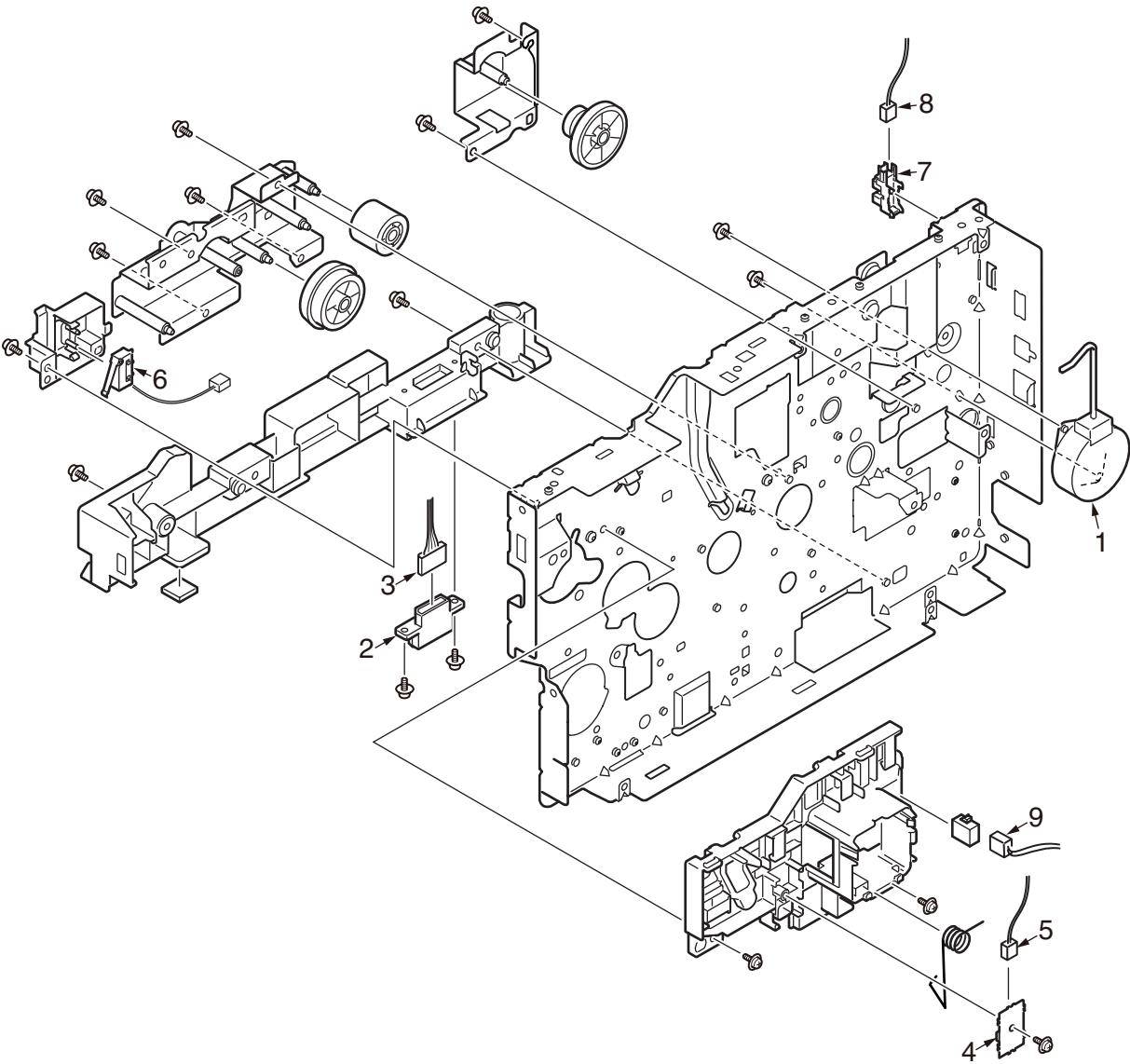
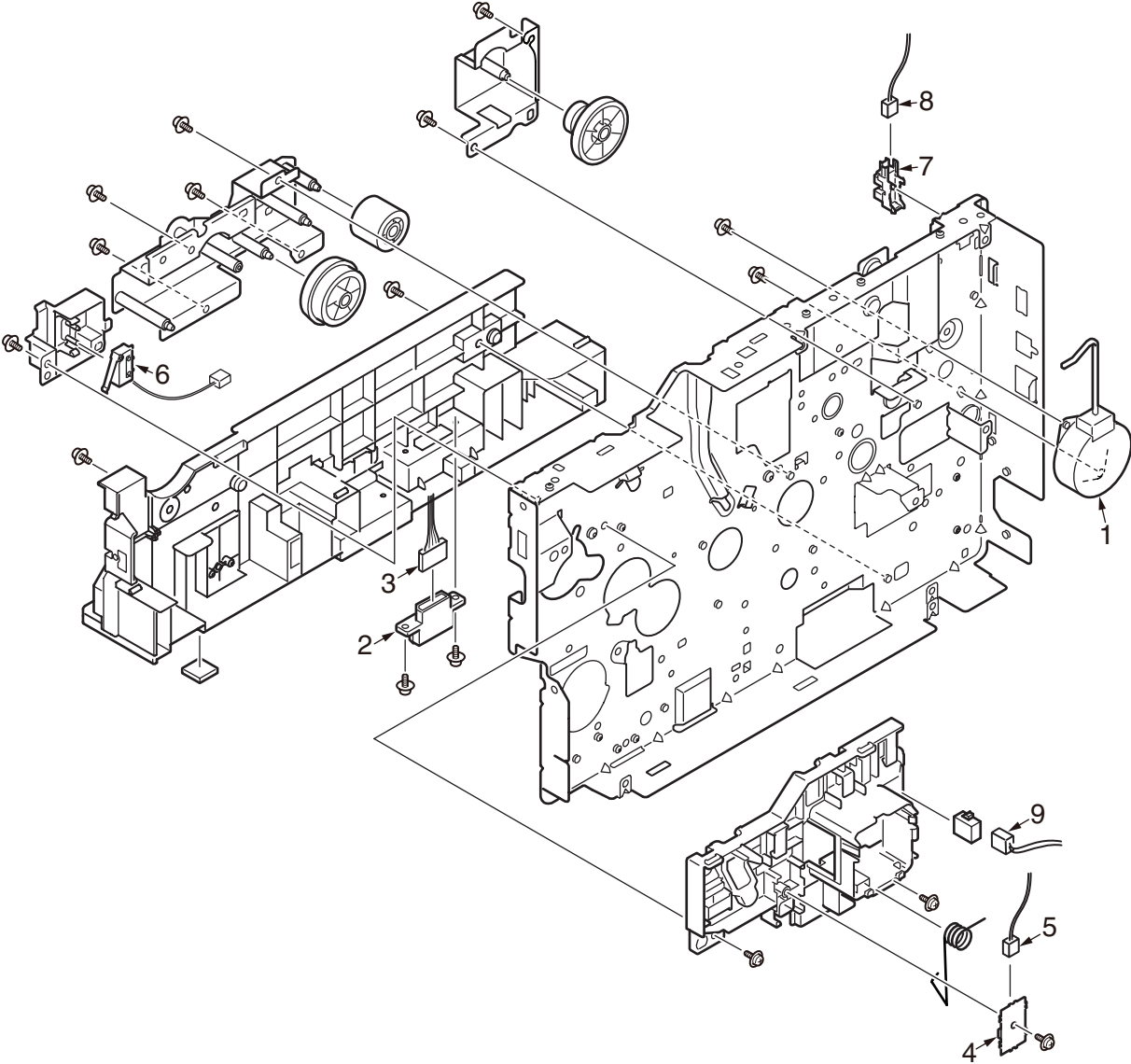
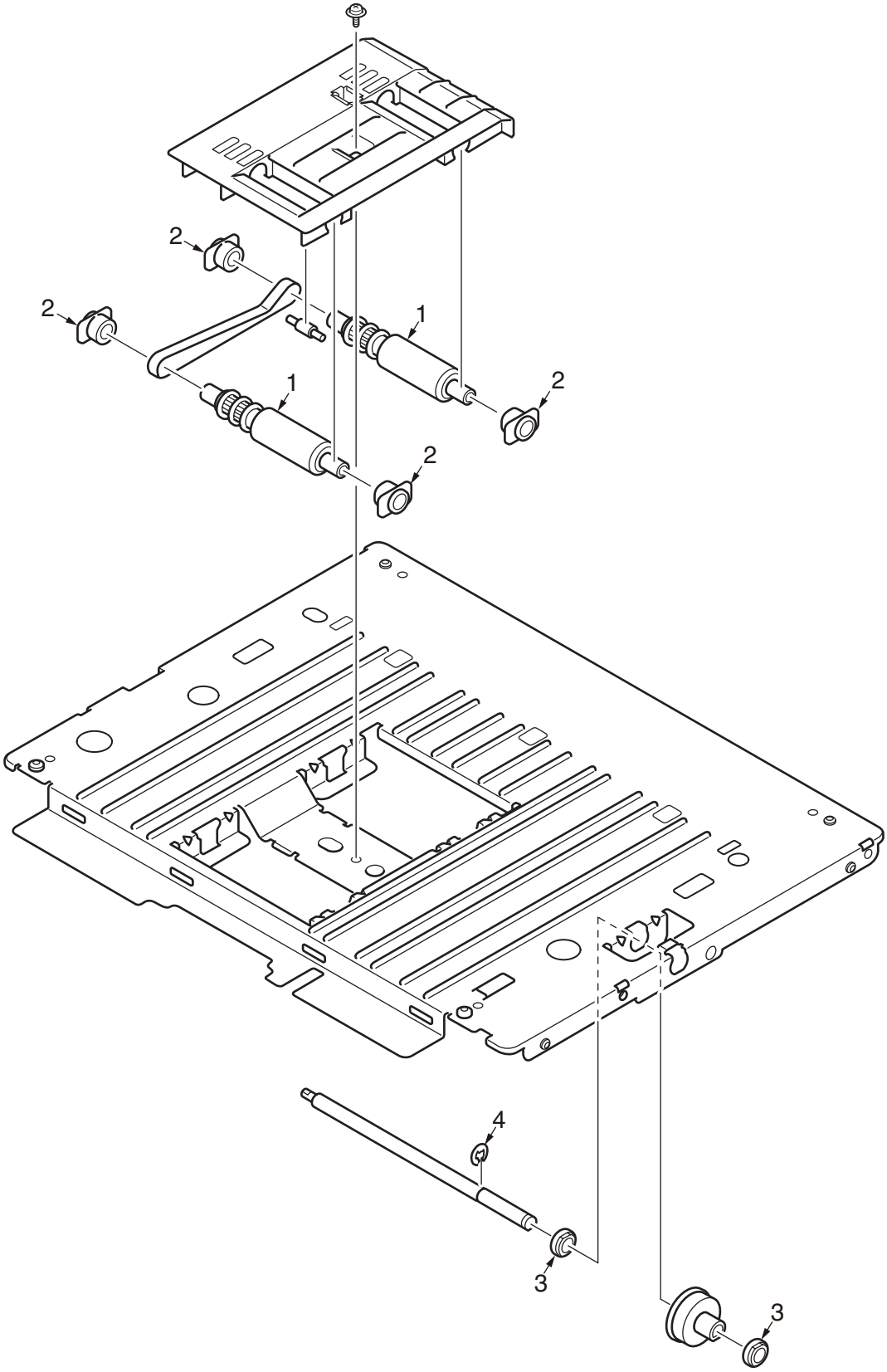




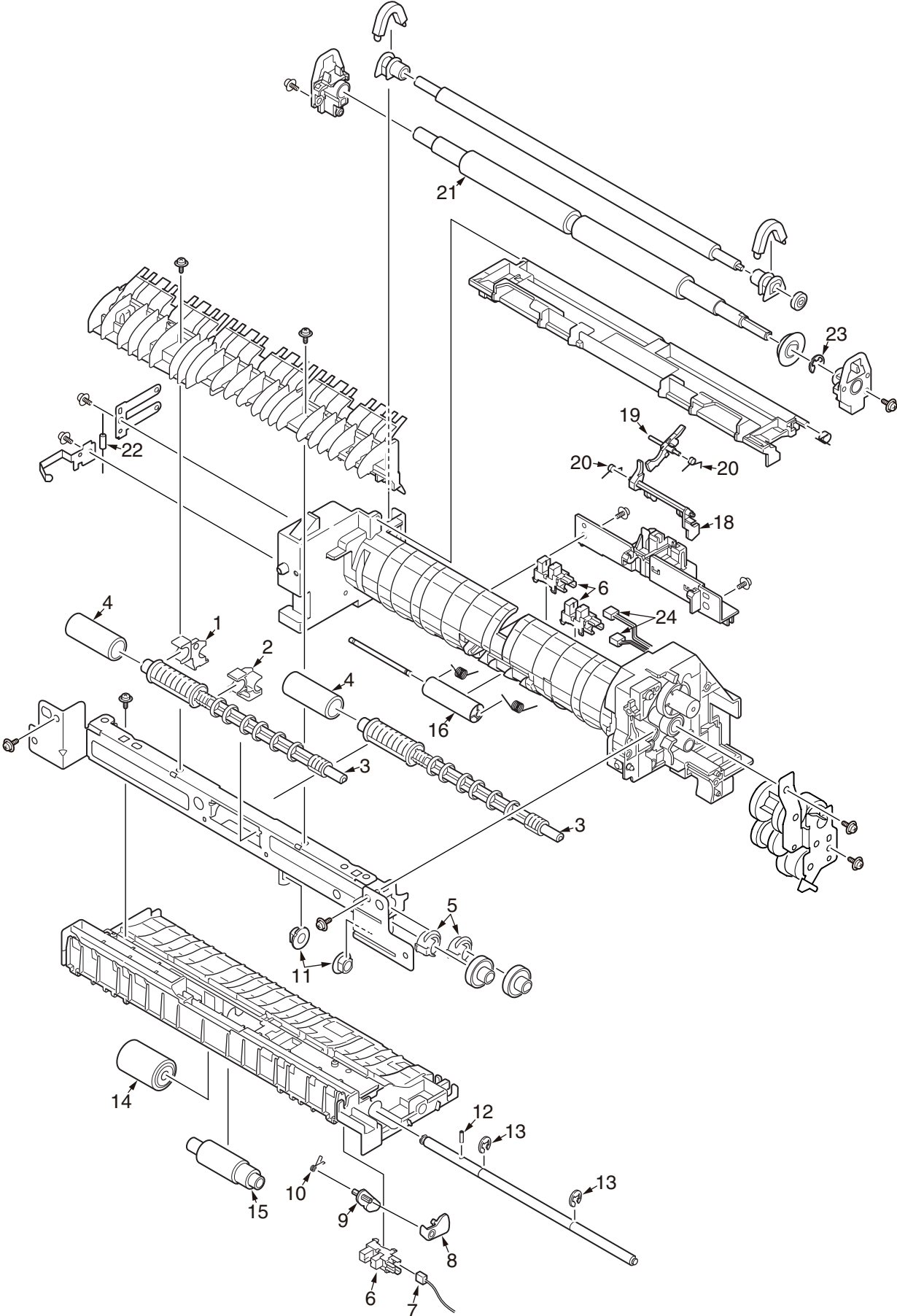
Plate-Assy-Side-R(B512/ES5112)



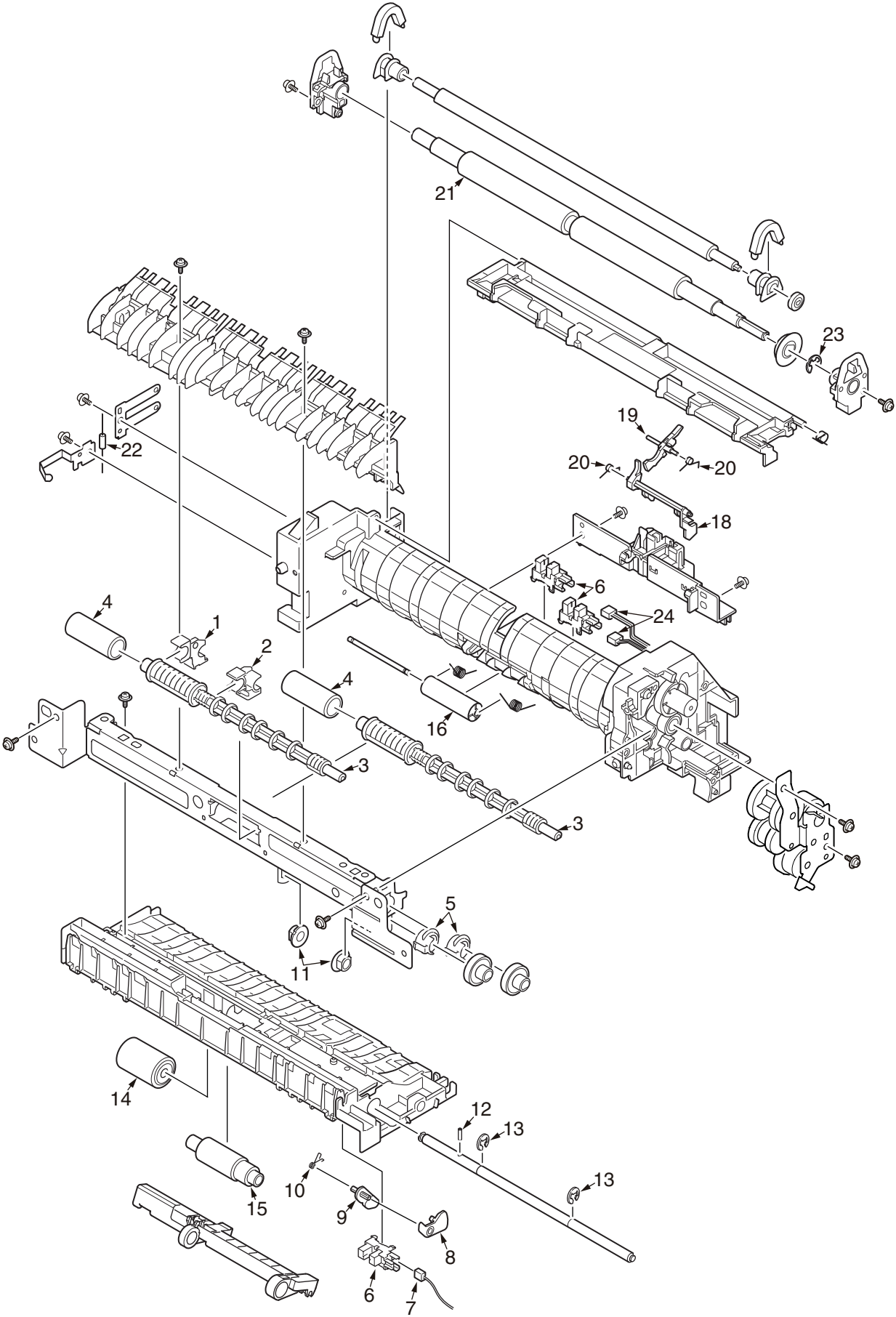
Duplex-Assy



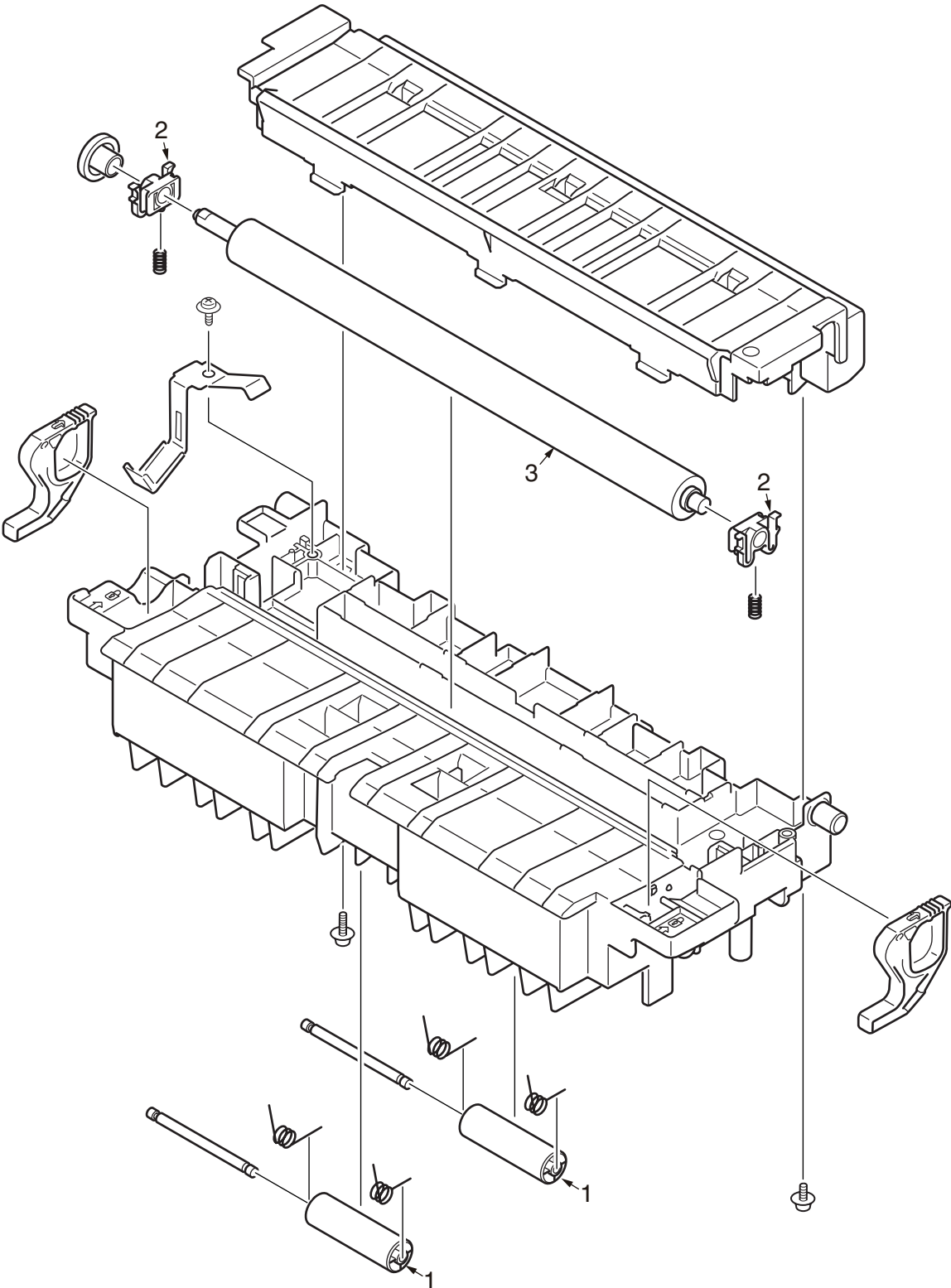
Front-Assy(B412/B432/ES4132)



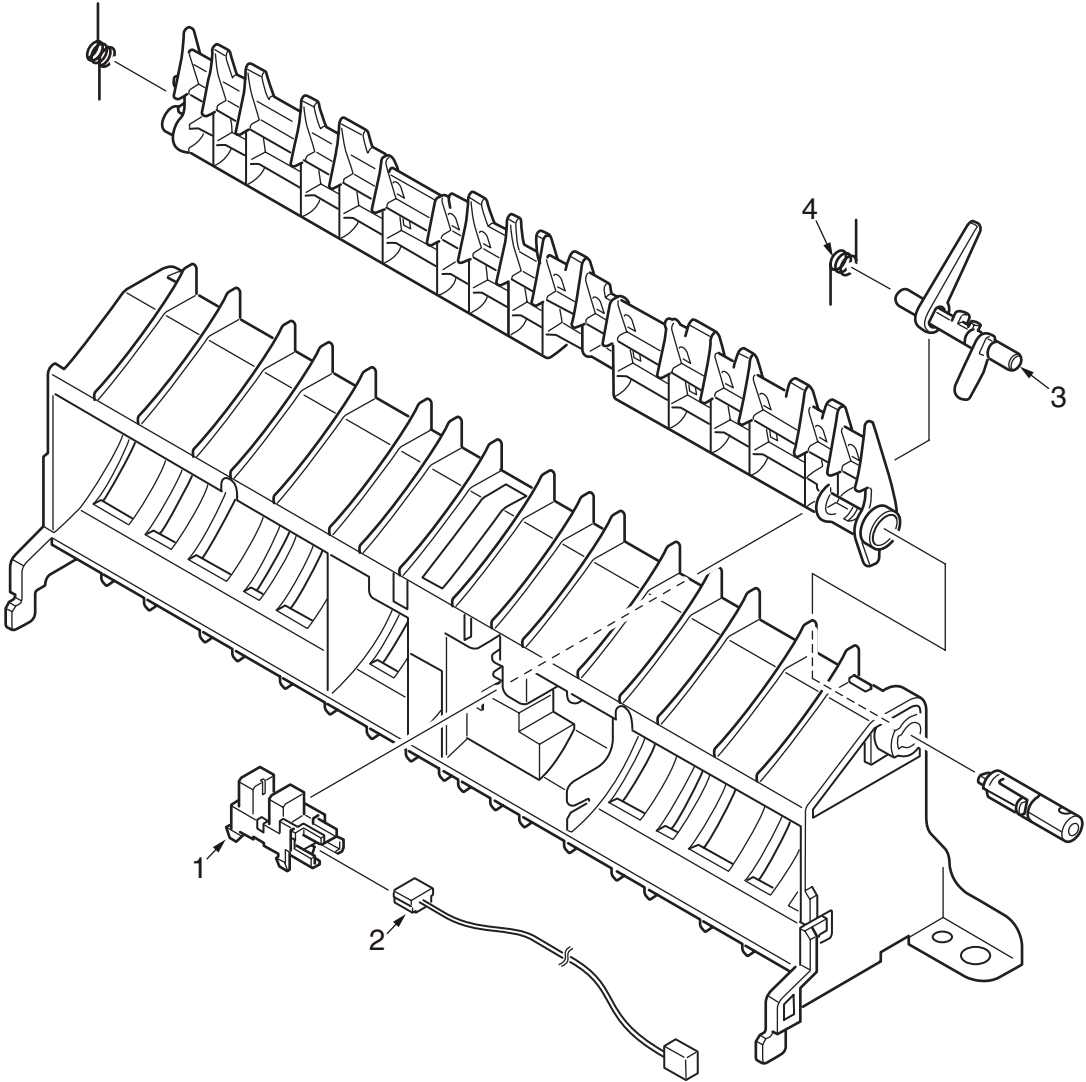
Front-Assy(B512/ES5112)



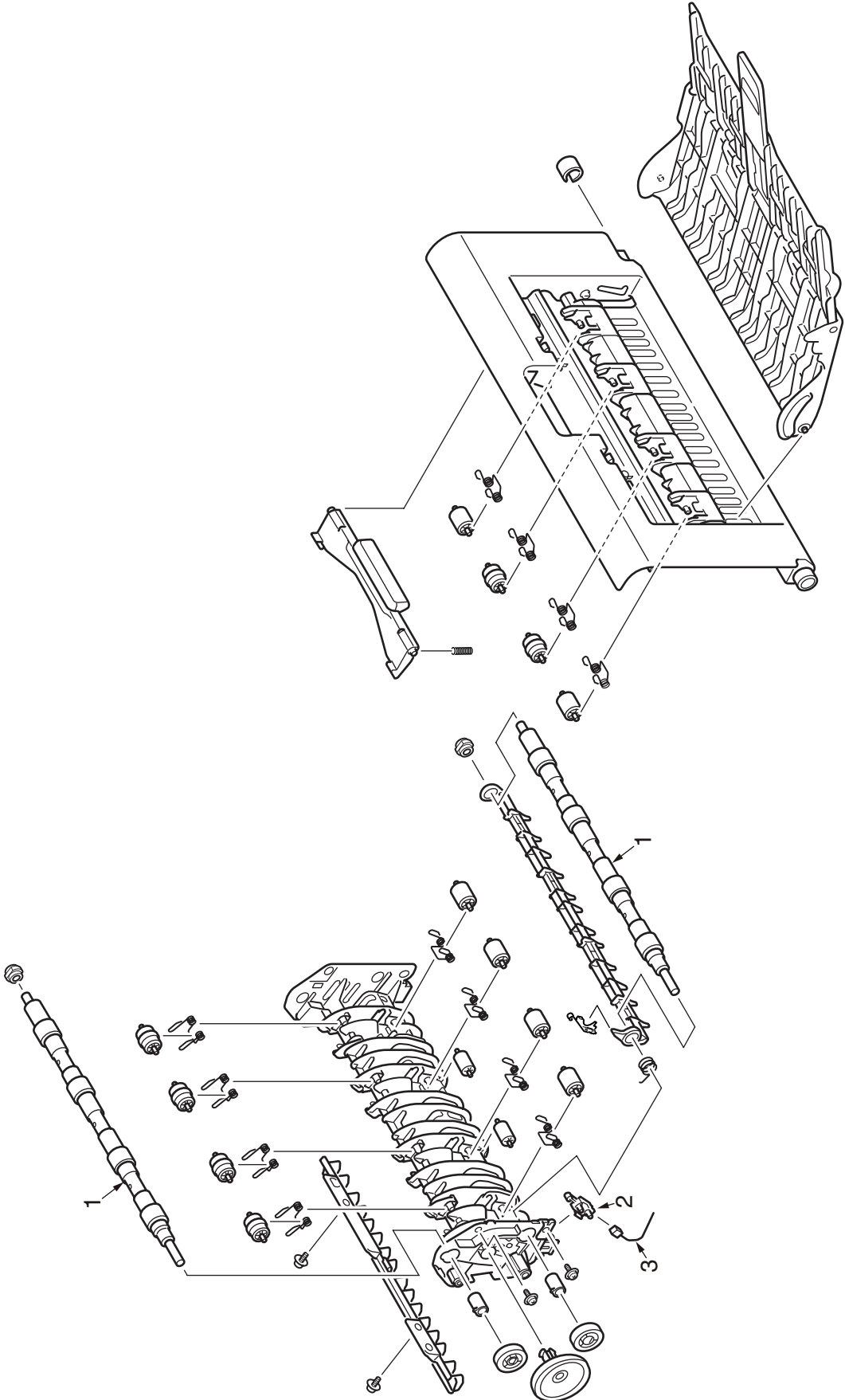
Frame-Assy-TR



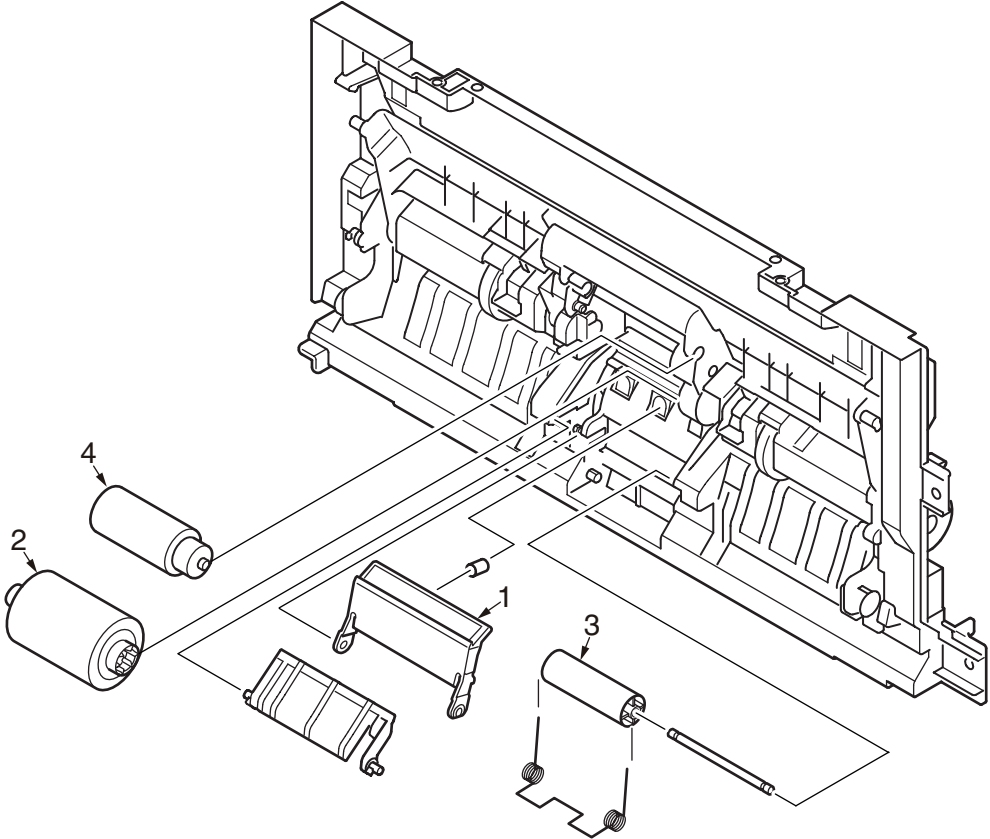
**Guide-Eject-Lower-Assy**



Frame-Assy-Rear

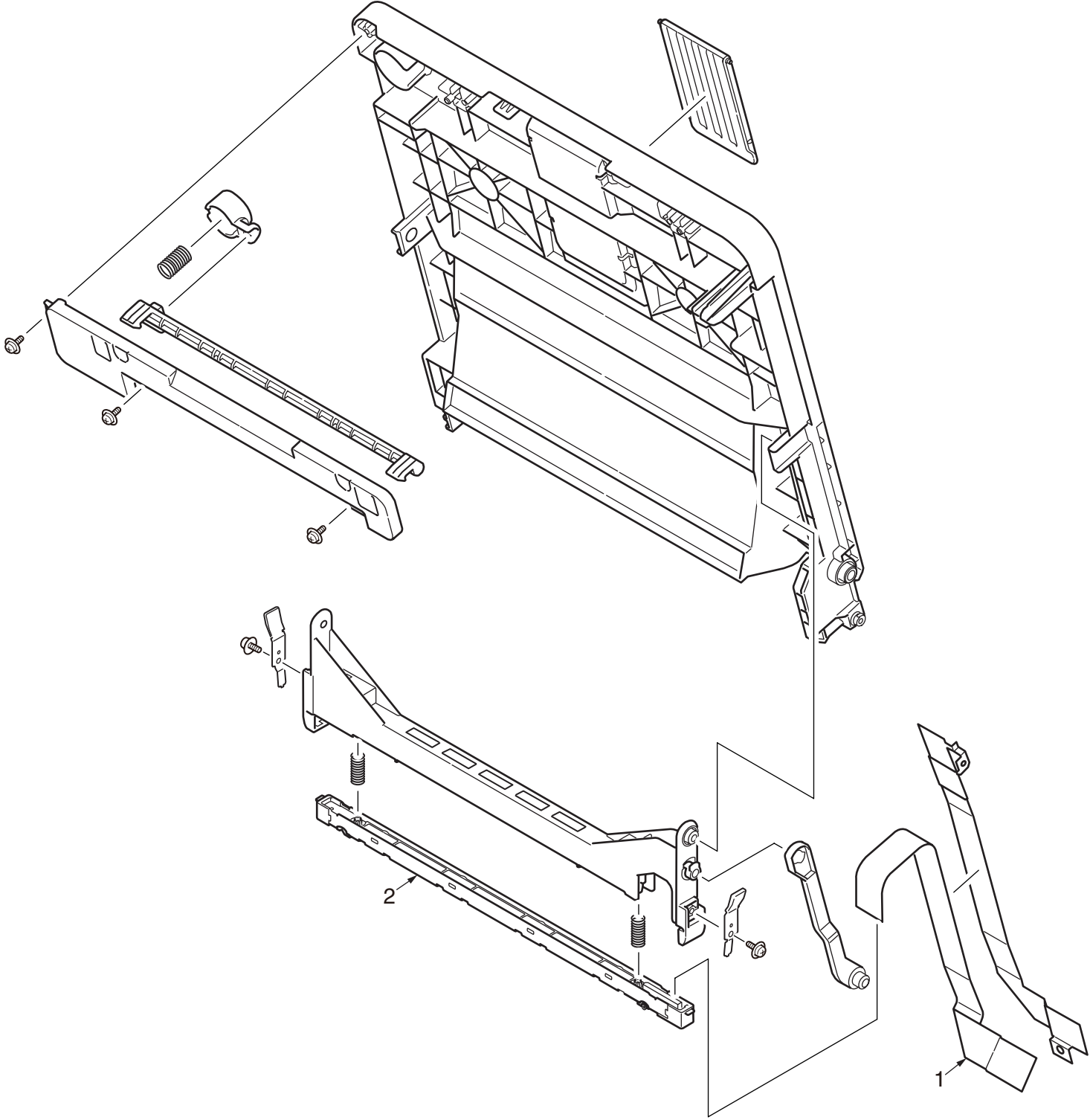


Frame-Assy-MPT

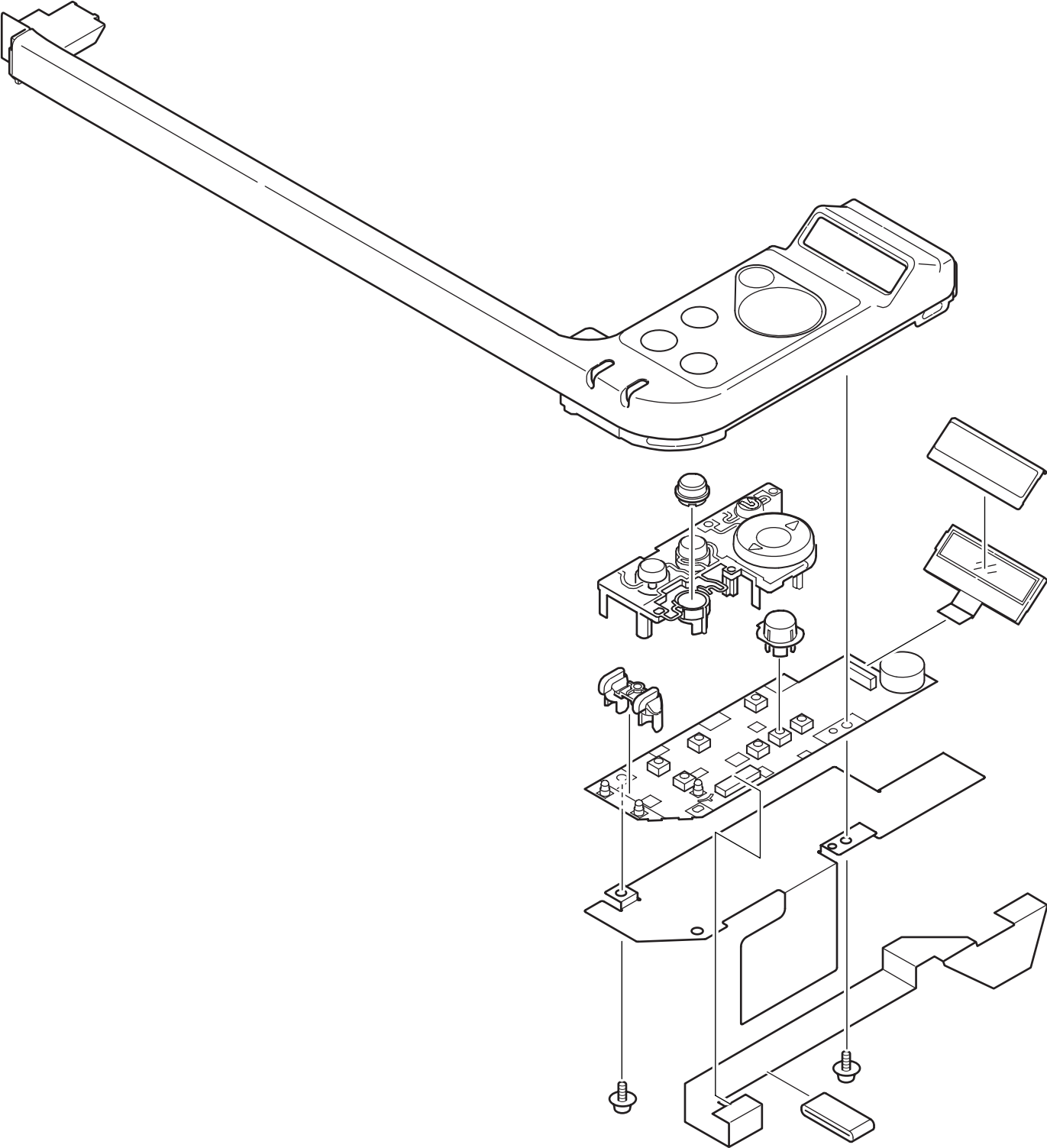




Cover-Assy-Stacker



Cover-Assy-OPE



# OEL Recommended Spare Parts List

B412/B432/B512  
ES4132/ES5112



Revision 3

Rev	Unit Name	No.	Part No.	Part Name	Q'ty /Unit	Recommended Q'ty/Year			Remarks	Special	Del/ Add	Remarks for environment
						per 500	per 1000	per 2000				
	Printer Unit	1-a	44559001	Cassette-Assy(250sht)	1	1	1	2	B412/B432/ES4132			
	Printer Unit	1-b	44579504	Cassette-Assy-PN307 (530)	1	1	1	2	B512/ES5112			
2	Printer Unit	2	44460701	Cover-Side-L	1	1	1	1				
2	Printer Unit	3	45704101	Cover-Side-R	1	1	1	1				
	Printer Unit	4-a	44563402	Plate-Assy-Side-L-PN307	1	1	1	1	B412/B432/ES4132			
	Printer Unit	4-b	44563403	Plate-Assy-Side-L-PN307 (530)	1	1	1	1	B512/ES5112			
	Printer Unit	5-a	44563505	Plate-Assy-Side-R	1	1	1	1	B412/B432/ES4132			
	Printer Unit	5-b	44563506	Plate-Assy-Side-R (530)	1	1	1	1	B512/ES5112			
	Printer Unit	6-a	44563701	Duplex-Assy	1	1	1	1	B412/B432/ES4132			
	Printer Unit	6-b	44563702	Duplex-Assy (530)	1	1	1	1	B512/ES5112			
	Printer Unit	7-a	44561503	Front-Assy. -PN307	1	1	1	2	B412/B432/ES4132			
	Printer Unit	7-b	44561504	Front-Assy. -PN297 (530)	1	1	1	2	B512/ES5112			
	Printer Unit	8	44559301	Frame-Assy-TR	1	1	1	1				
	Printer Unit	9	44565809	Fuser-Assy-PN307 (100V)	1	5	10	20				
	Printer Unit	9	44565810	Fuser-Assy-PN307 (120V)	1	5	10	20				
	Printer Unit	9	44565811	Fuser-Assy-PN307 (240V)	1	5	10	20				
	Printer Unit	10	44563802	Guide-Assy-Eject-L	1	1	1	1				
	Printer Unit	11	44563906	Frame-Assy-Rear (PN307)	1	1	1	1				
	Printer Unit	12	45718201	Frame-Assy-MPT	1	1	1	1				
	Printer Unit	13	45718701	Cover-Assy-MPT	1	1	1	1				
	Printer Unit	14	44564908	Cover-Assy-Stacker-PN307	1	1	1	1				
2	Printer Unit	15-b	44560211	Cover-Assy-OPE (PN307)	1	1	1	1	Except Japan			
	Printer Unit	16	44509801	Spring-Contact	5	1	1	1				
	Printer Unit	17	44554001	OR-Board -97H	1	1	1	2				
	Printer Unit	18	44557603	Cable-FFC-28P (Add)_PN307	1	1	1	1				
	Printer Unit	19	44261402	Clutch	1	1	1	1	Hopping Clutch			
	Printer Unit	20	44261403	Clutch-3.5	1	1	1	1	MPT Clutch			
	Printer Unit	21	44261405	Clutch-4.5	1	1	1	1	Regist Clutch			
	Printer Unit	22	45763501	Motor-Fan (Blower)	1	1	1	1	for LV			
	Printer Unit	23	44558301	Motor-DC (Main)	1	1	1	1				
	Printer Unit	24	44767401	Clamp-Cable	12	1	1	1				
	Printer Unit	25	45700501	CONN Cord-JST14P-JST16P	1	1	2	4	CU-LV			
	Printer Unit	26	44557102	Motor-Fan	1	1	1	1	on Duct			
	Printer Unit	27	45724902	Board-MRM Maintenance Board	1	2	4	8	B412 (OEL)			
	Printer Unit	27	45724912	Board-MRM Maintenance Board	1	2	4	8	B432 (OEL)			
	Printer Unit	27	45724922	Board-MRM Maintenance Board	1	2	4	8	B512 (OEL)			
	Printer Unit	27	45724932	Board-MRM Maintenance Board	1	2	4	8	ES4132 (OEL)			
	Printer Unit	27	45724942	Board-MRM Maintenance Board	1	2	4	8	ES5112 (OEL)			
	Printer Unit	28	45762701	OR-Board-30L	1	1	2	4	230V			
	Printer Unit	29	44362601	Gear-MPT-CL-Z28	1	1	1	1				
	Printer Unit	30	44905301	CONN Cord- JST3P-INLET	1	1	1	1				

Rev	Unit Name	No.	Part No.	Part Name	Q'ty /Unit	Recommended Q'ty/Year			Remarks	Special	Del/ Add	Remarks for environment
						per 500	per 1000	per 2000				
2	Printer Unit	31	46005101	Rear-Top-Assy-Maintenance	1	1	1	1				
2	Printer Unit	32	46005201	MPT-Assy-Maintenance	1	1	1	1				
2	Printer Unit	33	44909002	SW-Assy(Front)PN	1	1	1	1				
2	Printer Unit	34	44466302	Lever-Link-Fuser	2	1	1	1				
2	Printer Unit	35	45711601	Wireless LAN Module (DNUB-01)	1	1	1	1				
2	Printer Unit	36	6520028M0002	GP1A173LCS3F	1	1	1	1				
2	Printer Unit	37	45249502	Plate-Logo	1	1	1	1				
2	Printer Unit	38	44568956	Film-Name_B412	1	1	1	1	B412			
2	Printer Unit	38	44568957	Film-Name_B432	1	1	1	1	B432			
2	Printer Unit	38	44568959	Film-Name_B512	1	1	1	1	B512			
2	Printer Unit	38	44568960	Film-Name_ES4132	1	1	1	1	ES4132			
2	Printer Unit	38	44568961	Film-Name_ES5112	1	1	1	1	ES5112			
2	Printer Unit	39	44904901	CONN Cord- JST4P-JST4P	1	1	1	1				
	Cassette-Assy	1-a	44384701	Frame Assy. -Retard	1	1	2	4	B412/B432/ES4132			
	Cassette-Assy	1-b	43895002	Frame-Assy-Retard	1	1	2	4	B512/ES5112			
	Cassette-Assy	2	43963101	Spring-Retard	1	1	1	1				
	Plate-Assy-Side-L	1	44473601	Lever-Sensor-Cassette	1	1	1	1				
	Plate-Assy-Side-L	2	44361501	Spring-Sensor-016	1	1	1	1				
	Plate-Assy-Side-L	3	45715501	CONN Cord-JST2P-JST1P JST1P	1	1	1	1				
	Plate-Assy-Side-L	4	45763401	Motor-Fan (80)	1	1	1	1				
	Plate-Assy-Side-R	1	44519301	Motor-Pulse	1	1	1	1				
	Plate-Assy-Side-R	2	2233013P0080	9715B-08Z02-G4C	1	1	1	1				
	Plate-Assy-Side-R	3	44430402	CONN Cord-AMP8P-AMP8P	1	1	1	1				
	Plate-Assy-Side-R	4	44555101	OR-Board-97T	1	1	1	1	Toner sensor PCB			
	Plate-Assy-Side-R	5	44561001	CONN Cord-AMP4P-AMP3P	1	1	1	1	97T-CU			
	Plate-Assy-Side-R	6	44567502	CONN Cord-AMP3P-SW	1	1	1	1	Top cover SW-CU			
	Plate-Assy-Side-R	7	6520028M0002	GP1A173LCS3F	1	1	1	1				
	Plate-Assy-Side-R	8	44560901	CONN Cord-AMP3P-JST3P	1	1	1	1				
2	Plate-Assy-Side-R	9	45768901	CONN Cord-JST2P-JST2P	1	1	1	1				
	Duplex-Assy	1	44354101	Roller-Feed_Dup	2	1	1	1				
	Duplex-Assy	2	44379301	Bearing-Dup	4	1	1	1				
	Duplex-Assy	3	42060701	Bush	2	1	1	1				
	Duplex-Assy	4	RE4-SK	Ring	1	1	1	1				
	Front-Assy	1	44357501	Bearing-Feed-L	1	1	1	1				
	Front-Assy	2	44422901	Bearing-Feed-R	1	1	1	1				
	Front-Assy	3	44362101	Shaft-Roller-Feed	2	1	1	1				
	Front-Assy	4	44135601	Roller-Feed	2	1	1	1				
	Front-Assy	5	44357601	Bush-Feed	2	1	1	1				
	Front-Assy	6	6520028M0002	GP1A173LCS3F	3	1	1	1				
	Front-Assy	7	45700601	CONN Cord-JST6P-AMP3Px2	1	1	1	1				
	Front-Assy	8-a	44549801	Lever-End	1	1	1	1	B412/B432/ES4132			

Rev	Unit Name	No.	Part No.	Part Name	Q'ty /Unit	Recommended Q'ty/Year			Remarks	Special	Del/ Add	Remarks for environment
						per 500	per 1000	per 2000				
	Front-Assy	8-b	45721701	Lever-End	1	1	1	1	B512/ES5112			
	Front-Assy	9-a	45695901	Lever-End-Sub	1	1	1	1	B412/B432/ES4132			
	Front-Assy	9-b	45721801	Lever-End-Sub	1	1	1	1	B512/ES5112			
	Front-Assy	10-a	44550001	Spring-Lever-End	1	1	1	1	B412/B432/ES4132			
	Front-Assy	10-b	45725101	Spring-Lever-End	1	1	1	1	B512/ES5112			
	Front-Assy	11	43526601	Bush	2	1	1	1				
	Front-Assy	12	NK2-10SUS	Pin	1	1	1	1				
	Front-Assy	13	RE4-SK	Ring	2	1	1	1				
	Front-Assy	14	44483301	Roller-Assy-Hopping	1	1	2	4				
	Front-Assy	15	44483601	Roller-Assy-PickUp	1	1	2	4				
	Front-Assy	16	43355101	Roller-Pinch	1	1	1	1				
	Front-Assy	18	44361301	Lever-Sensor-IN	1	1	1	1				
	Front-Assy	19	44361401	Lever-Sensor-WR	1	1	1	1				
	Front-Assy	20	44361501	Spring-Sensor-016	2	1	1	1				
	Front-Assy	21	44361602	Roller-Regist	1	1	1	1				
	Front-Assy	22	42796902	OR-RES-High-Voltage-Z	1	1	1	1				
	Front-Assy	23	RE5-SK	Ring	1	1	1	1				
2	Front-Assy	24	44569401	CONN Cord-AMP6P-AMP3P-AMP3P	1	1	1	1				
	Frame-Assy-TR	1	43355101	Roller-Pinch	2	1	1	1				
	Frame-Assy-TR	2	43330101	Bearing-TR	2	1	1	1				
	Frame-Assy-TR	3	44432101	Roller-Transfer	1	1	1	1				
	Guide-Eject-Lower-Assy	1	6520028M0002	GP1A173LCS3F	1	1	1	1				
	Guide-Eject-Lower-Assy	2	44569301	CONN Cord-JST3P-AMP3P	1	1	1	1	Eject paper sensor - CU			
	Guide-Eject-Lower-Assy	3	44365701	Lever-Sensor_Exit	1	1	1	1				
	Guide-Eject-Lower-Assy	4	44365901	Spring-Sensor_Exit	1	1	1	1				
	Frame-Rear-Assy	1	44364301	Shaft-Assy. -Eject	2	1	1	1				
	Frame-Rear-Assy	2	2071152P0001	D2X-C	1	1	1	1				
	Frame-Rear-Assy	3	44569601	CONN Cord-AMP2P-AMP2P	1	1	1	1	Duplex root sensor - CU			
	Frame-Assy-MPT	1	43922401	Frame Assy. -Separator	1	1	1	1				
	Frame-Assy-MPT	2	43922301	Roller-Assy-MPT	1	1	1	2				
	Frame-Assy-MPT	3	43355101	Roller-Pinch	1	1	1	1				
	Frame-Assy-MPT	4	43417901	Roller-Assy. -Pickup	1	1	1	1				
	Cover-Stacker-Assy	1	44570901	Cable-FFC-20P (Add)	1	1	1	1				
	Cover-Stacker-Assy	2	44557701	LED Head Unit-61TRA	1	1	1	1				