

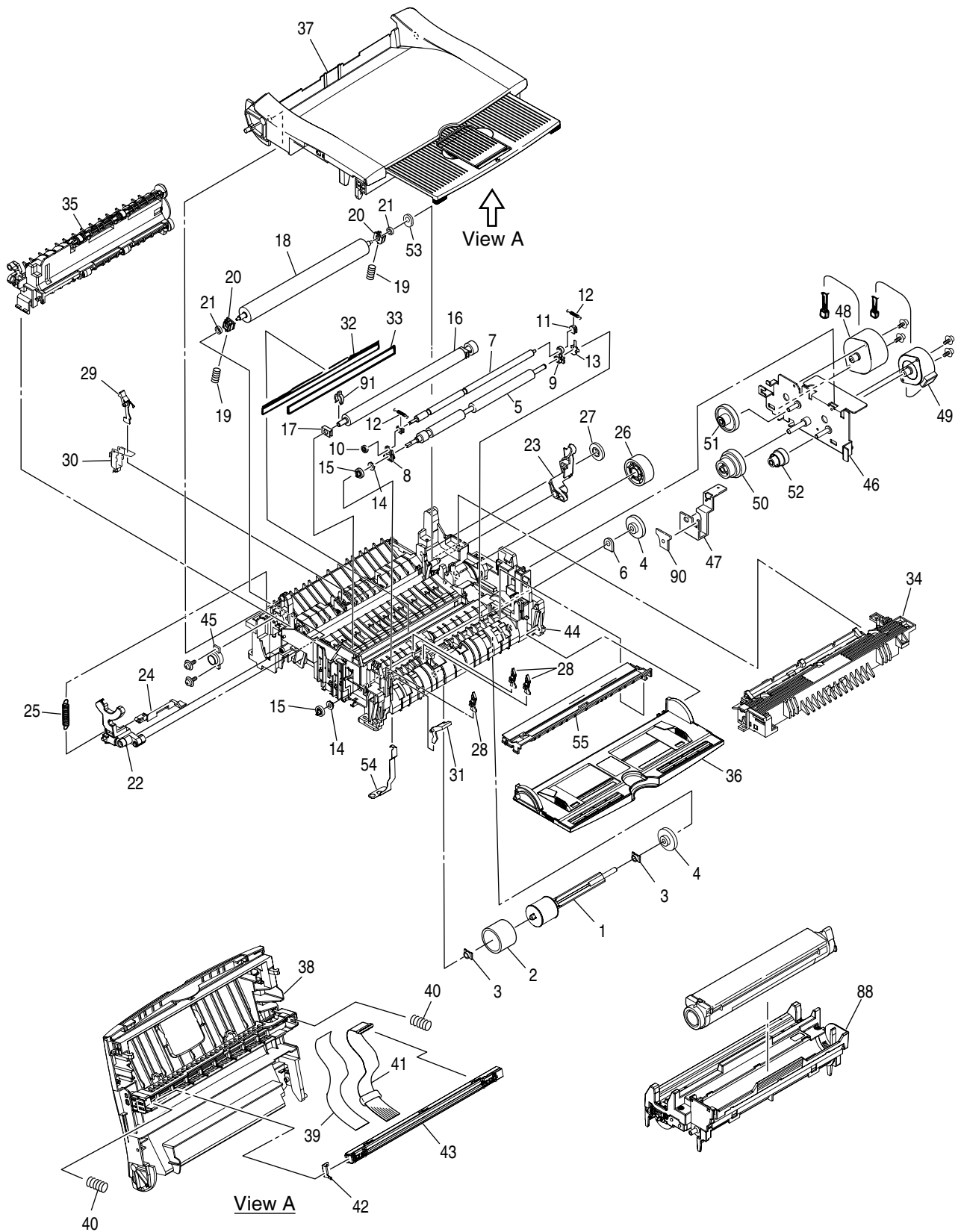
OEL Recommended Spare Parts List

B4200

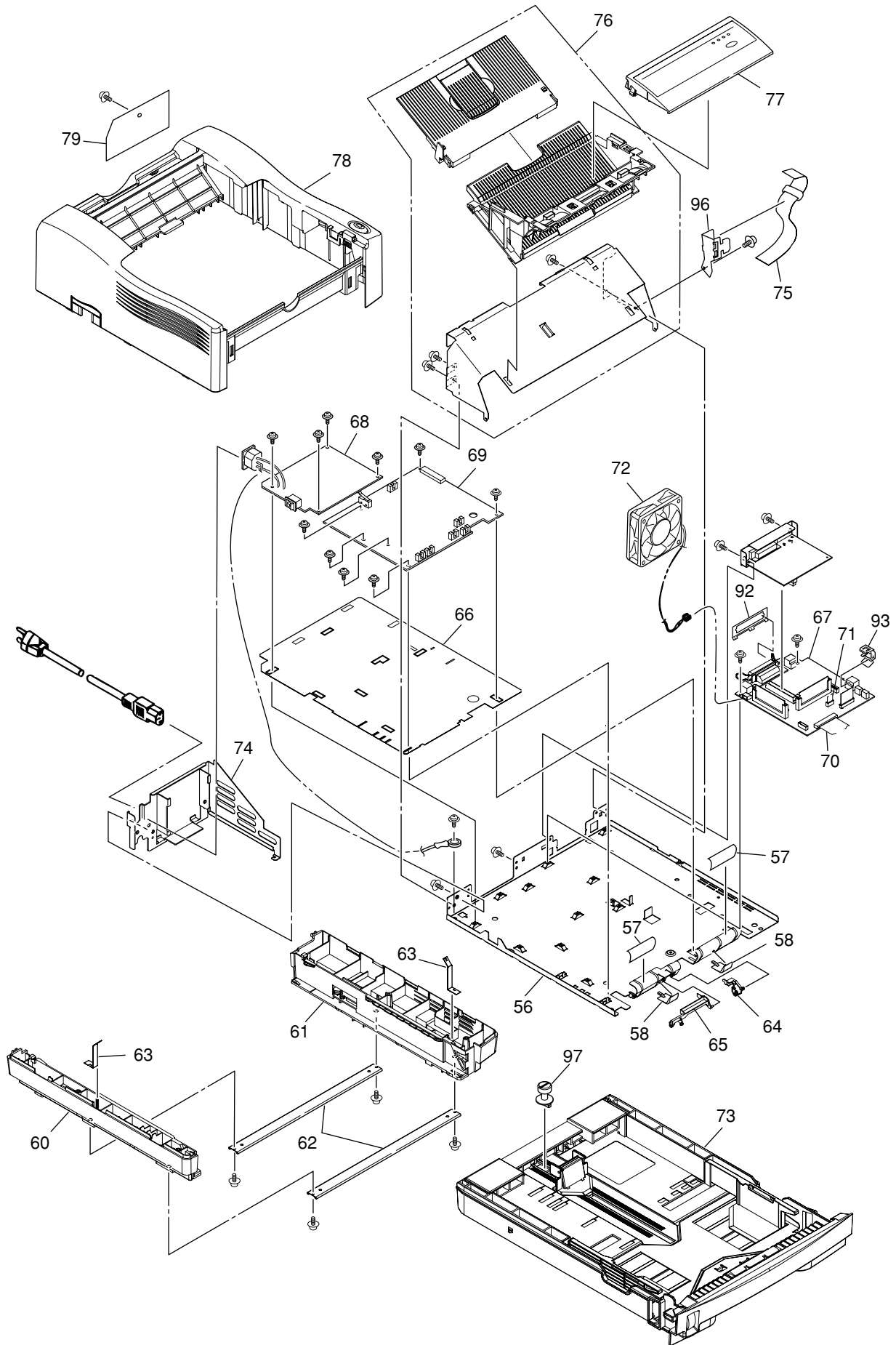


Revision 14

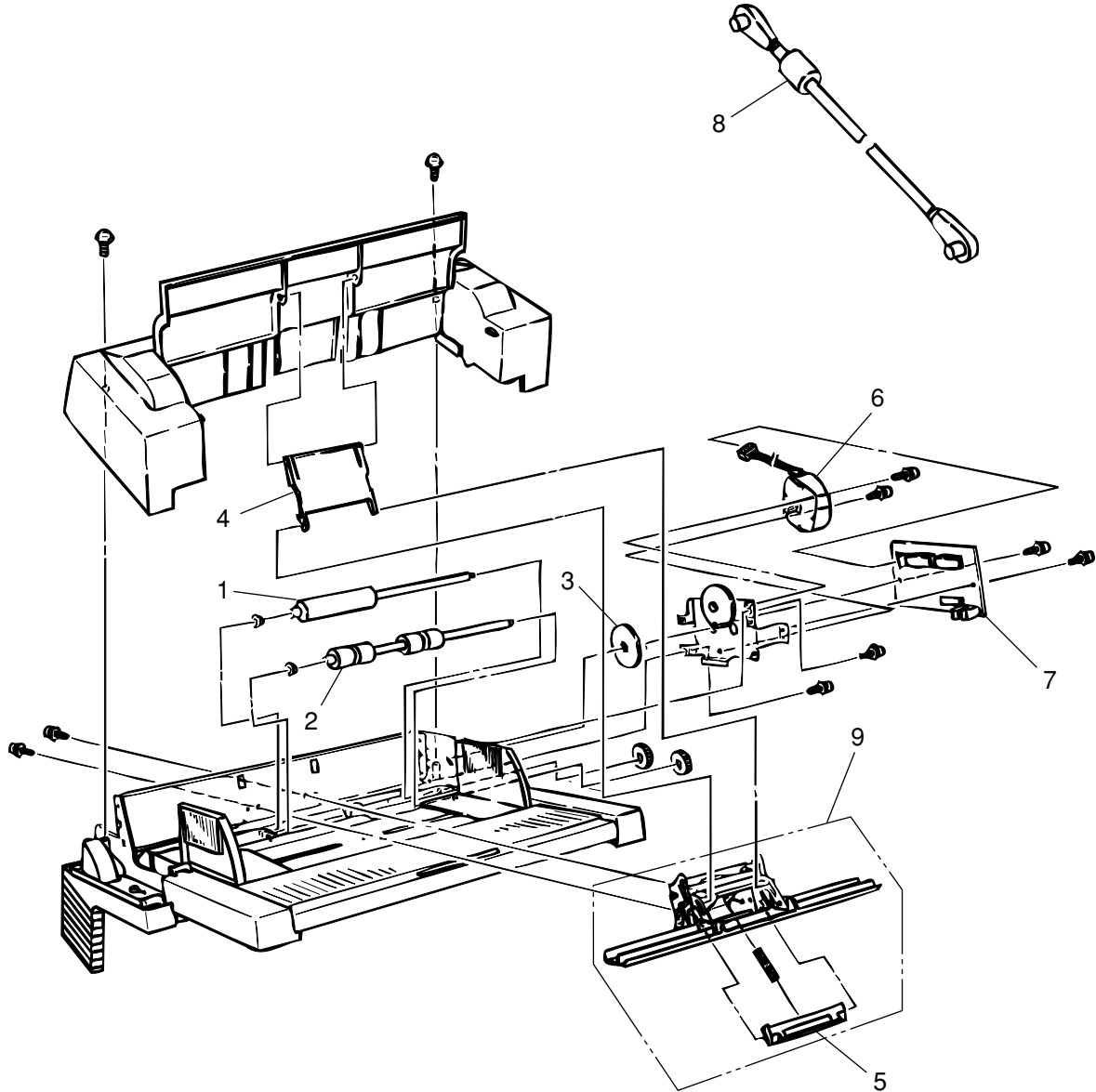
LOWER BASE UNIT(1/2)



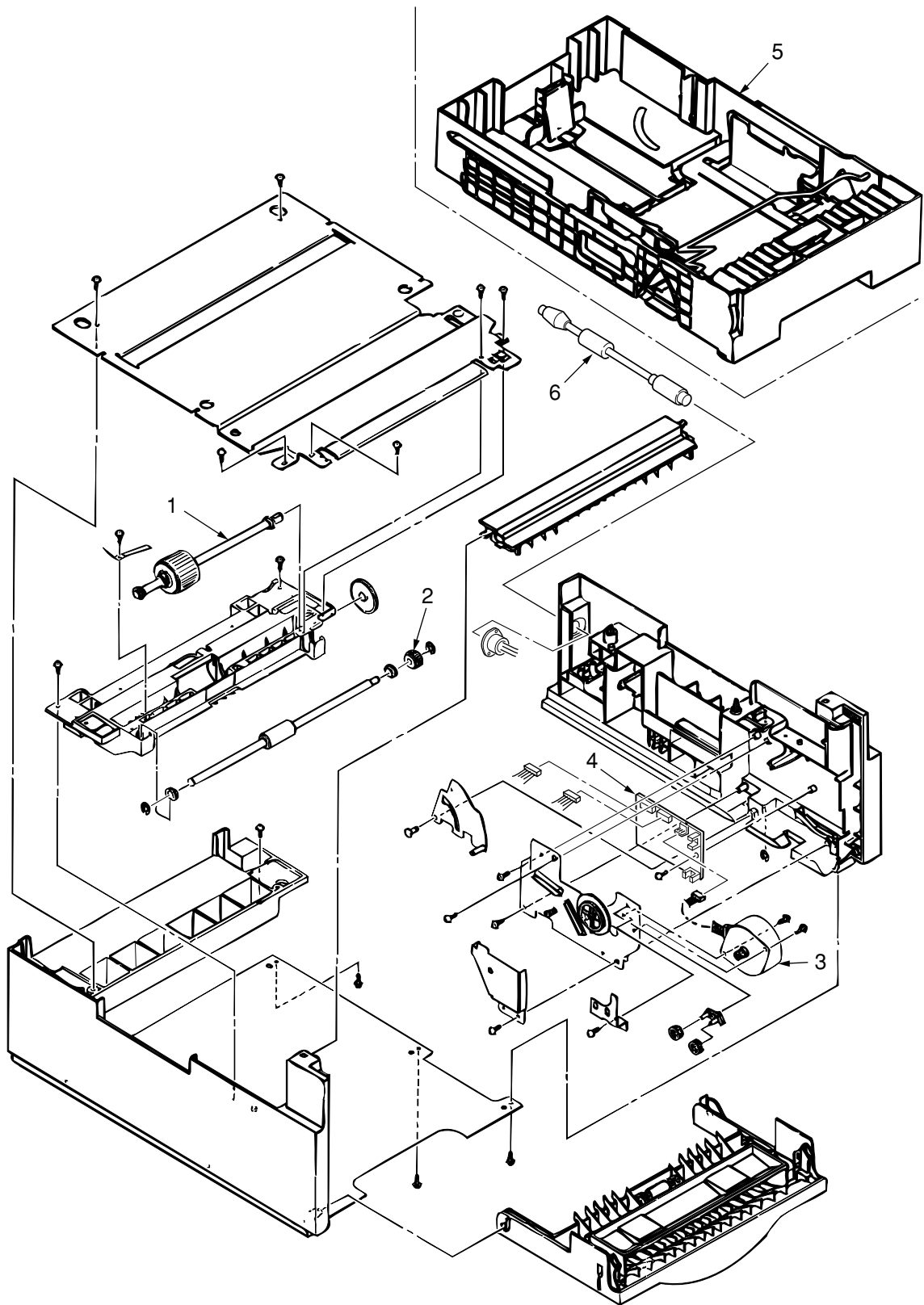
LOWER BASE UNIT(2/2)



MULTI-PURPOSE FEEDER

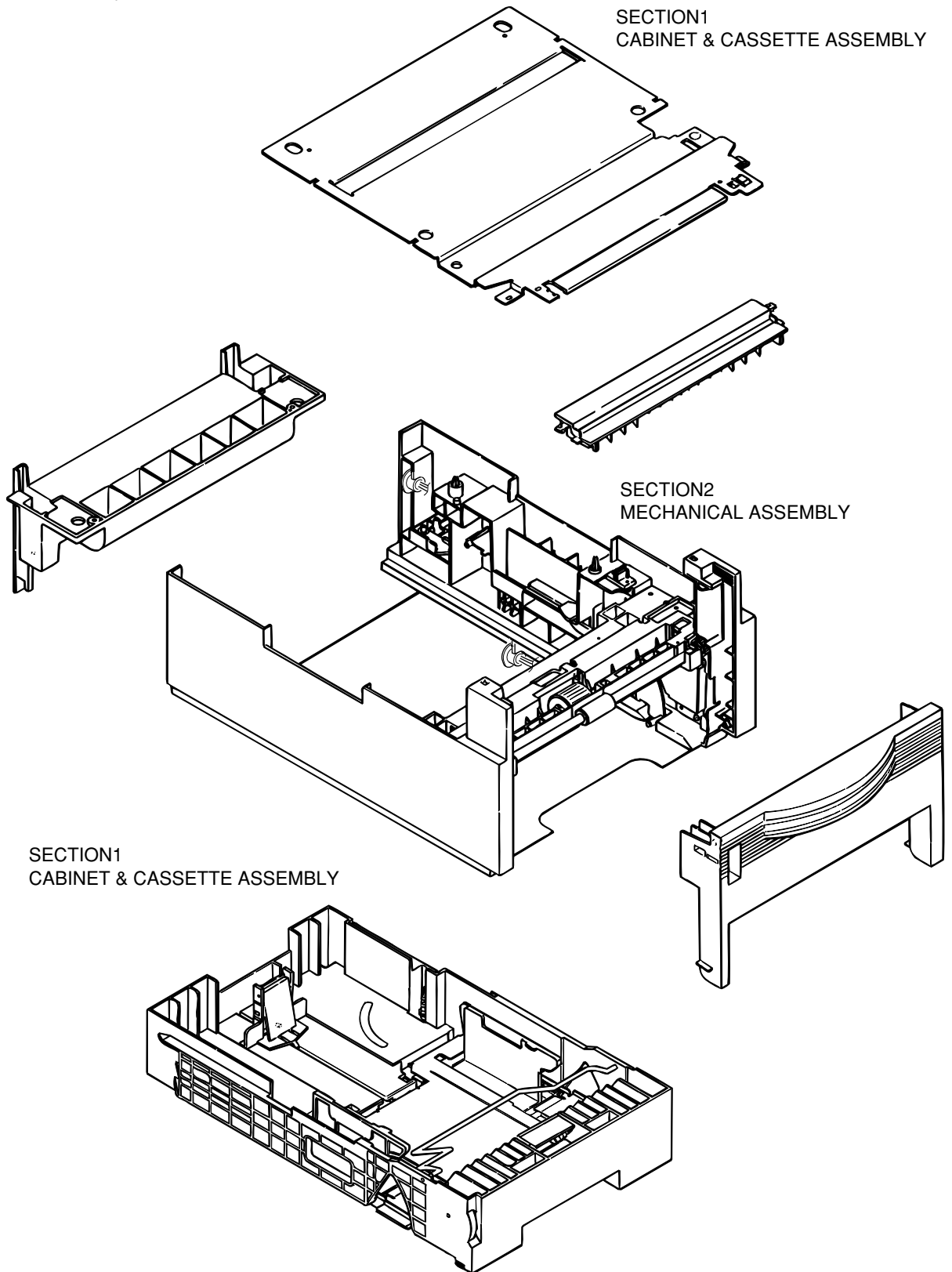


HIGH CAPACITY PAPER FEEDER

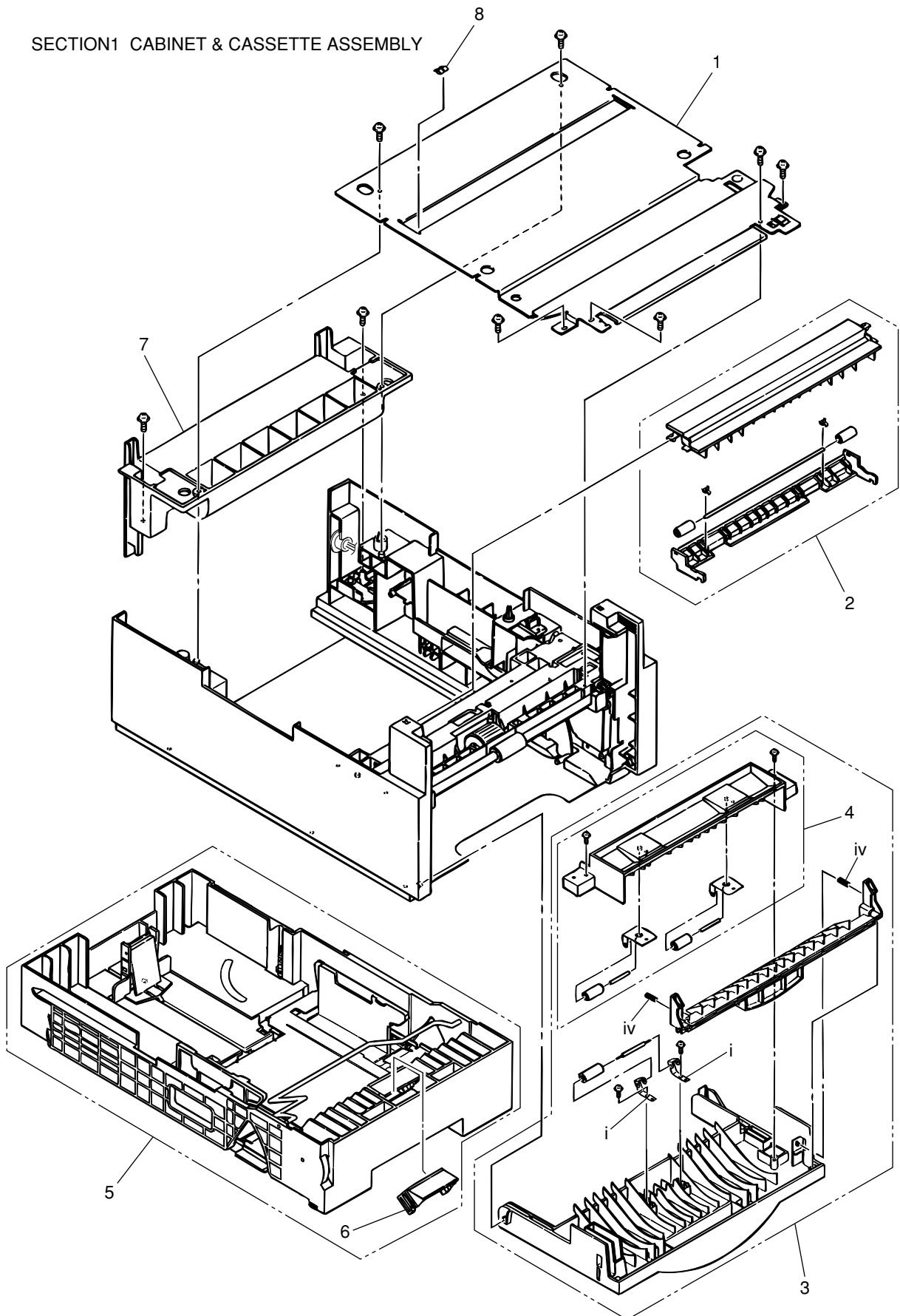


2ND TRAY ASSEMBLY(1/3)

2nd Tray ASSEMBLY

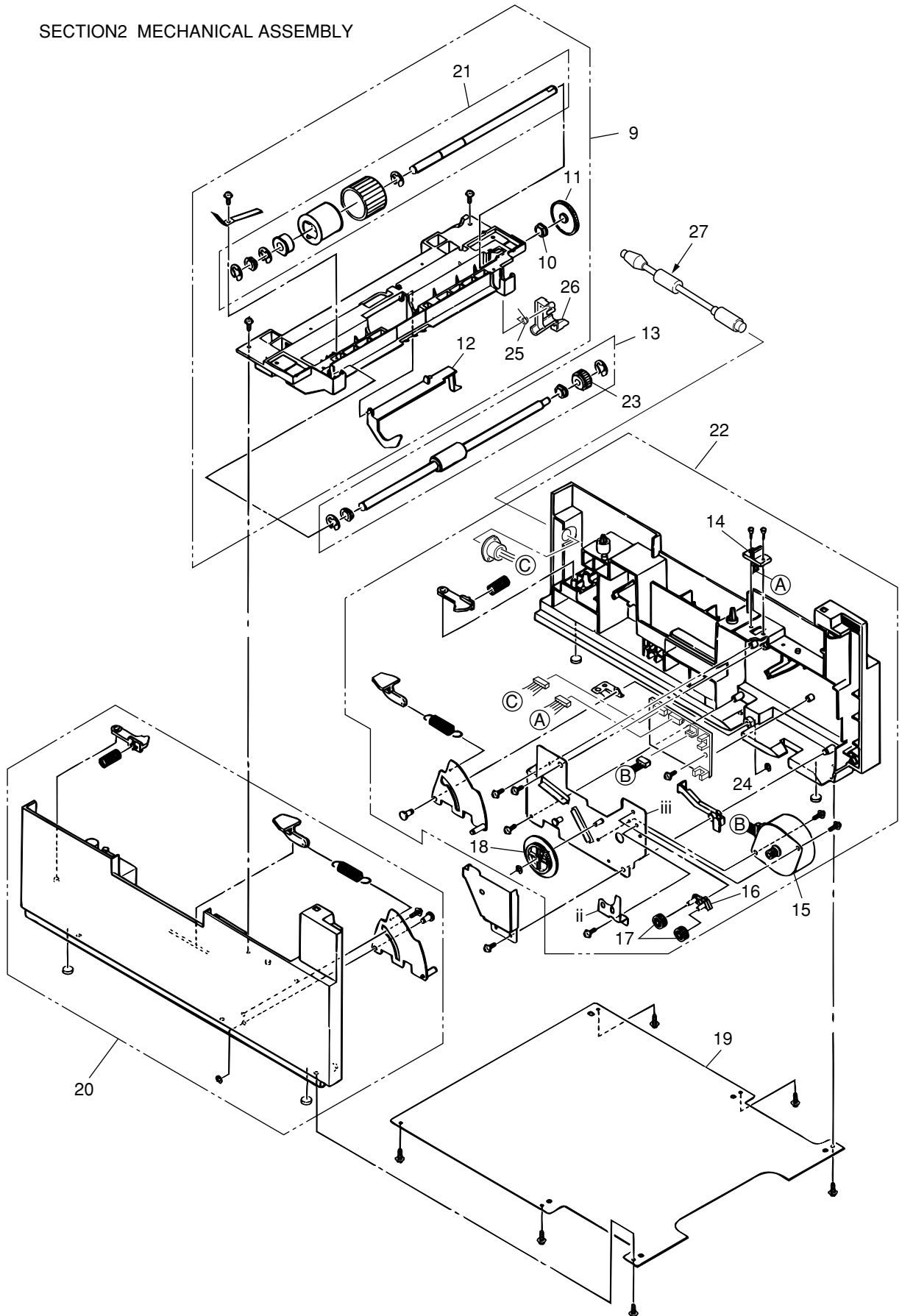


2ND TRAY ASSEMBLY(2/3)



2ND TRAY ASSEMBLY(3/3)

SECTION2 MECHANICAL ASSEMBLY



Rev	Unit Name	No.	Part No.	Part Name	Q'ty /Unit	Recommended Q'ty/Y			Remarks	Special (New Parts:*)	Del/ Add	Remarks for environment
						per 500	per 1000	per 2000				
	Lower Base Unit	1	PP4083-6020P001	HOPPING ROLLER SHAFT	1	3	6	12				
	Lower Base Unit	2-a	PB4076-5447P001	Rubber-Hopping Roller	1	3	6	12				
	Lower Base Unit	2-b	43456901	Rubber-Hopping Roller	1	3	6	12	OEL #3 ECO-B4250-033 (DCO-SQ1-2959)			
	Lower Base Unit	3	PP4083-6022P002	BEARING A	2	6	12	24				
	Lower Base Unit	4	PB4083-6024P001	ONE-WAY CLUTCH GEAR	2	6	12	24				
	Lower Base Unit	5	42174301	Roller-Regist	1	3	6	12		*		
	Lower Base Unit	6	PP4083-6031P001	BEARING R	1	3	6	12				
	Lower Base Unit	7	42174201	Roller-Pressure	1	3	6	12		*		
	Lower Base Unit	8	41279501	Holder-Regist L	1	3	6	12				
	Lower Base Unit	9	41279601	Holder-Regist R	1	3	6	12				
	Lower Base Unit	10	41279801	Gear-Pressure	1	3	6	12				
	Lower Base Unit	11	41279401	Bearing-Pressure	2	6	12	24				
	Lower Base Unit	12	41281201	Spring-Tension	2	6	12	24				
	Lower Base Unit	13	41280401	Plate-Contact PA	1	3	6	12				
	Lower Base Unit	14	41279301	Bearing-Regist L	1	3	6	12				
	Lower Base Unit	15	41279701	Gear-Regist	1	3	6	12				
	Lower Base Unit	16	42208501	Roller Assy.-Transfer	1	3	6	12		*		
	Lower Base Unit	17	40438001	Bearing-TR	1	3	6	12				
	Lower Base Unit	18	41301801	Roller-Backup	1	3	6	12				
	Lower Base Unit	19	41584101	Spring-Bias	2	6	12	24				
	Lower Base Unit	20	41536201	Holder-BU	2	6	12	24	#1			
	Lower Base Unit	20	42557401	Holder-BU(Modify)	2	6	12	24	#1			
	Lower Base Unit	21	41584201	Bearing-Ball	2	6	12	24				
	Lower Base Unit	22	42208601	Lever Assy.-Reset L	1	3	6	12	#2	*		
	Lower Base Unit	23	PP4083-6054P001	RESET LEVER R	1	3	6	12				
	Lower Base Unit	24	42551201	Arm-Switch	1	3	6	12	#2 ECO-B4200-006			
	Lower Base Unit	25	PP4083-6057P001	RESET SPRING	1	3	6	12				
	Lower Base Unit	26	42126101	Gear-Idle(Z36)	1	3	6	12		*		
	Lower Base Unit	27	PP4083-6081P001	IDLE GEAR C	1	3	6	12				
	Lower Base Unit	28	PP4083-6083P001	SENSOR PLATE(IN)	3	9	18	36				
	Lower Base Unit	29	43407501	Sensor Assy.-Lever Eject	1	3	6	12	ECO-B4250-032 (DCO-SQ1-2916)			
	Lower Base Unit	30	41027701	Sensor Wire Assembly	1	3	6	12				
	Lower Base Unit	31	42468801	Sensor-Toner(Adhesive)	1	3	6	12	ECO-B4200-002			
	Lower Base Unit	32	PB4083-6979P001	DISELECTRIFICATION BAR SHAFT	1	3	6	12				
	Lower Base Unit	33	PB4083-6089P001	DISELECTRIFICATION FILM	1	3	6	12				
	Lower Base Unit	34-b	42209202	Heat Assy.	1	10	20	40	230V	*		
	Lower Base Unit	35	40772501	Roller Assy.-Eject	1	3	6	12				
	Lower Base Unit	36	42145701	Cover Assy.-Front	1	3	6	12		*		
	Lower Base Unit	37	42200401	Cover Assy.-Stacker	1	3	6	12		*		
	Lower Base Unit	38	42129101	Holder-Head	1	3	6	12		*		
	Lower Base Unit	39	42146701	Film-FG	1	3	6	12		*		
	Lower Base Unit	40	42146501	Spring-Head	2	6	12	24		*		
	Lower Base Unit	41	42408201	Cable-Assy.-Head	1	5	10	20		*		
	Lower Base Unit	42	42146601	Contact-Head	1	3	6	12		*		
	Lower Base Unit	43	42266803	LED Head Unit-51MXF3	1	5	10	20	ECO-B4200-034 (DCO-SQ1-2642)	*		
	Lower Base Unit	44	42208303	Frame Subassy.-Lower	1	3	6	12		*		
	Lower Base Unit	45	PB4083-6197P001	DAMPER FRAME	1	3	6	12				
	Lower Base Unit	46	42122701	Bracket-Motor(Caulking)	1	3	6	12		*		
	Lower Base Unit	47	42352501	Bracket-Sub_M	1	3	6	12		*		
	Lower Base Unit	48	42986001	Motor-Pulse(Drum)	1	3	6	12	DCO-SQ1-3281	*		
	Lower Base Unit	49	42196101	Motor-Pulse(Regist)	1	3	6	12		*		
	Lower Base Unit	50	42121701	Gear-M3(Z66/28/28)	1	3	6	12		*		
	Lower Base Unit	51	42121801	Gear-M2(Z66/24)	1	3	6	12		*		
	Lower Base Unit	52	42121901	Gear-R2(Z40/20)	1	3	6	12		*		
	Lower Base Unit	53	PP4120-1210P001	WASHER C	1	3	6	12				
	Lower Base Unit	54	PP4083-7663P001	FG PLATE OP	1	3	6	12				
	Lower Base Unit	55	42209101	Guide-Paper	1	3	6	12		*		
	Lower Base Unit	56	42200501	Plate Assy.-Base	1	3	6	12		*		
	Lower Base Unit	57	YC4061-5115P001	POLYETHYLENE TAPE	2	6	12	24	L=90mm			
	Lower Base Unit	58	40828301	Guide-PaperH	2	6	12	24				
	Lower Base Unit	59	PB4013-3501P002	CS-RING (CS3-SUS)	2	6	12	24				
	Lower Base Unit	60	42209401	Guide-Cassette L Assy.	1	3	6	12		*		
	Lower Base Unit	61	42209501	Guide-Cassette R Assy.	1	3	6	12		*		
	Lower Base Unit	62	PP4083-7660P001	BEAM PLATE	2	6	12	24				
	Lower Base Unit	63	PP4083-7665P001	FG PLATE D	2	6	12	24				
	Lower Base Unit	64	PP4083-7667P001	PAPER END SENSOR LEVER	1	3	6	12				
	Lower Base Unit	65	PP4083-6154P001	CASSETTE DETECTION LEVER	1	3	6	12				
	Lower Base Unit	66	42146301	Insulator	1	3	6	12		*		

Rev	Unit Name	No.	Part No.	Part Name	Q'ty /Unit	Recommended Q'ty/Y			Remarks	Special (New Parts:*)	Del/ Add	Remarks for environment
						per 500	per 1000	per 2000				
	Lower Base Unit	67	43006724	Board- GRR	1	5	10	20	ECO-B4200-044 (DCO-SL2-0624)	*		
	Lower Base Unit	68-b	42978201	OR-PN272 PowerSupplyUnit(230V)	1	5	10	20	230V DCO-SL2-0451	*		
	Lower Base Unit	68-b	42510301	PN262 Power Supply Unit (230V)	1	5	10	20	230V			
	Lower Base Unit	69	42284101	PCB Assy. -HLB	1	5	10	20		*		
14	Lower Base Unit	70	2381055P0003	TFCBD30(30P-192-1.25	1	5	10	20	SN8-0177			
	Lower Base Unit	71	42101001	JST13P-JST5P,JST8P	1	5	10	20		*		
	Lower Base Unit	72	42283501	Motor-Fan	1	3	6	12		*		
	Lower Base Unit	73	42209601	Cassette Assy.-Paper	1	3	6	12		*		
	Lower Base Unit	74	42146201	Plate-Guide	1	3	6	12		*		
	Lower Base Unit	75	40997102	Cord-Assy.OP	1	5	10	20	SQ1-2481,2511			
	Lower Base Unit	76	42146801	Stacker Assy.-FU	1	3	6	12		*		
	Lower Base Unit	77-b	42200202	Frame Assy.-OP Panel	1	3	6	12	B4200(OUK/AOS)	*		
	Lower Base Unit	78	42147201	Cover Assy.-Upper	1	3	6	12		*		
	Lower Base Unit	79	42129601	Cover-IF	1	3	6	12		*		
	Lower Base Unit	90	42406601	Holder-Tr_R	1	3	6	12		*		
	Lower Base Unit	91	42406701	Spacer-Tr_L	1	3	6	12		*		
	Lower Base Unit	92	PP4128-1131P001	Plate-Earth(A)	1	3	6	12				
	Lower Base Unit	93	42318001	Plate-Earth_ENV	1	3	6	12		*		
	Lower Base Unit	94	42174401	Film-Guide	2	6	12	24	Apply to 42208301 (Frame Subassy Lower old parts)			
	Lower Base Unit	96	42849201	Film-Support(OP)	1	3	6	12	SQ1-2481	*		
14	Lower Base Unit	*	43058601	Separation Assy.	1	3	6	12	SN8-0177	*	A	
	2nd Tray	1	PP4122-1401P001	Upper Plate	1	3	5	*				
	2nd Tray	2	PA4122-1370G001	Sheet guide assembly	1	3	5	*				
	2nd Tray	3	PA4122-1369G001	Front cover assembly	1	3	5	*				
	2nd Tray	4	PA4122-1371G001	Inner guide assembly	1	3	5	*				
	2nd Tray	5	PA4122-1362G004	Cassette assembly	1	3	6	*	**			
	2nd Tray	6	PA4120-1009G001	Separation frame assembly	1	6	12	*				
	2nd Tray	7	PP4122-1323P001	Rear Cover	1	3	5	*				
	2nd Tray	8	PB4122-1441P001	Stick finger	1	3	5	*				
	2nd Tray	9	PA4122-1366G001	Hopping flame assembly	1	3	6	*				
	2nd Tray	10	PP3522-3568P001	BEARING ADF	1	3	5	*				
	2nd Tray	11	PP4122-1207P001	Gear (Z70)	1	3	5	*				
	2nd Tray	12	PP4122-1331P001	Lever sensor (P)	1	3	5	*				
	2nd Tray	13	PA4122-1393G001	Feed roller assembly	1	3	5	*				
	2nd Tray	14	YS4111-3528P001	Connector cable	1	3	5	*				
	2nd Tray	15	PB4122-1399P001	Stepping motor	1	3	6	*				
	2nd Tray	16	PP4122-1384G001	Bracket	1	3	5	*				
	2nd Tray	17	PP4122-1383P001	Gear (Z24)	2	3	5	*				
	2nd Tray	18	PP4122-1226P001	Gear (Z87/Z60)	1	3	5	*				
	2nd Tray	19	PP4122-1389P001	Plate-Bottom	1	3	5	*				
	2nd Tray	20	PA4122-1365G001	2nd cassette guide (L) assy	1	3	6	*				
	2nd Tray	21	PA4122-1367G001	Hopping roller assembly	1	3	6	*				
	2nd Tray	22	42337801	Guide Assy.-Second(R)	1	3	6	*				
	2nd Tray	23	PB4122-1382P001	One-way gear (Z32)	1	6	12	*				
	2nd Tray	24	42372702	Board-GRT	1	3	6	*				
	2nd Tray	25	41804801	Spring-Tension	1	3	6	*				
	2nd Tray	26	PP4122-1416P001	Lever sensor (T)	1	3	6	*				
	2nd Tray	27	42372601	DIN8P-DIN8P Connection Cord-wire	1	3	6	*				