

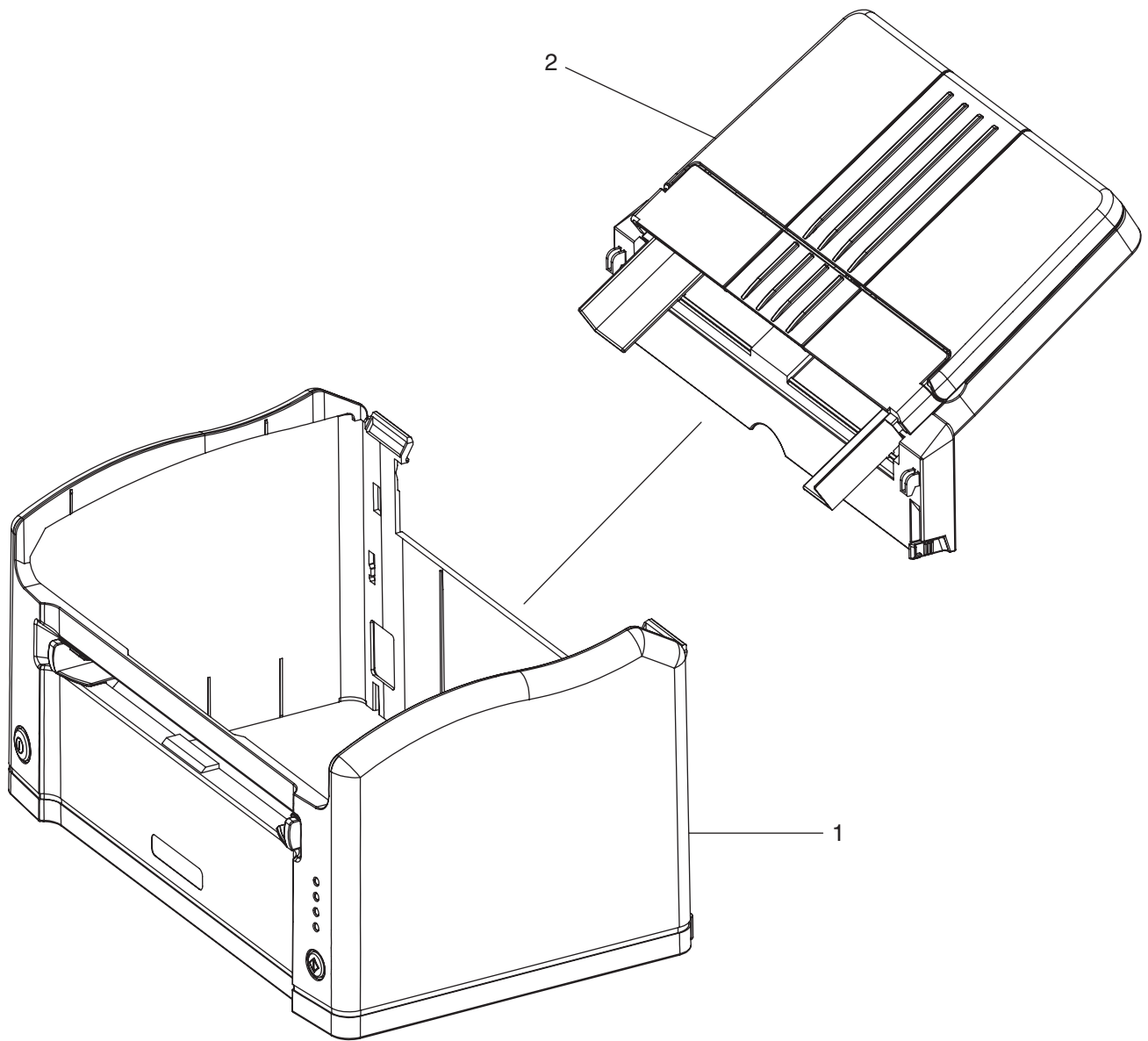
OEL Recommended Spare Parts List

B2200/B2400

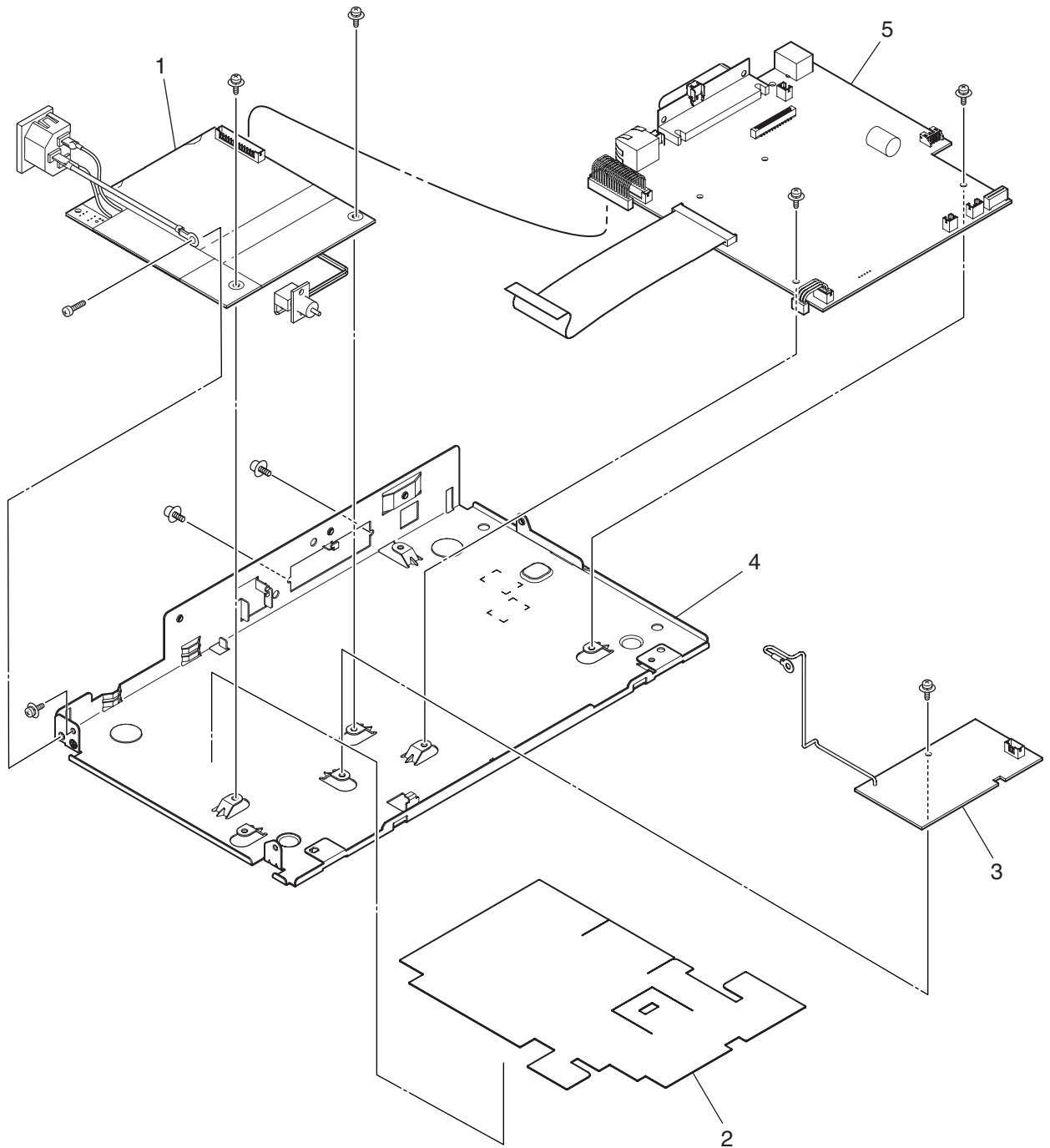


Revision 7

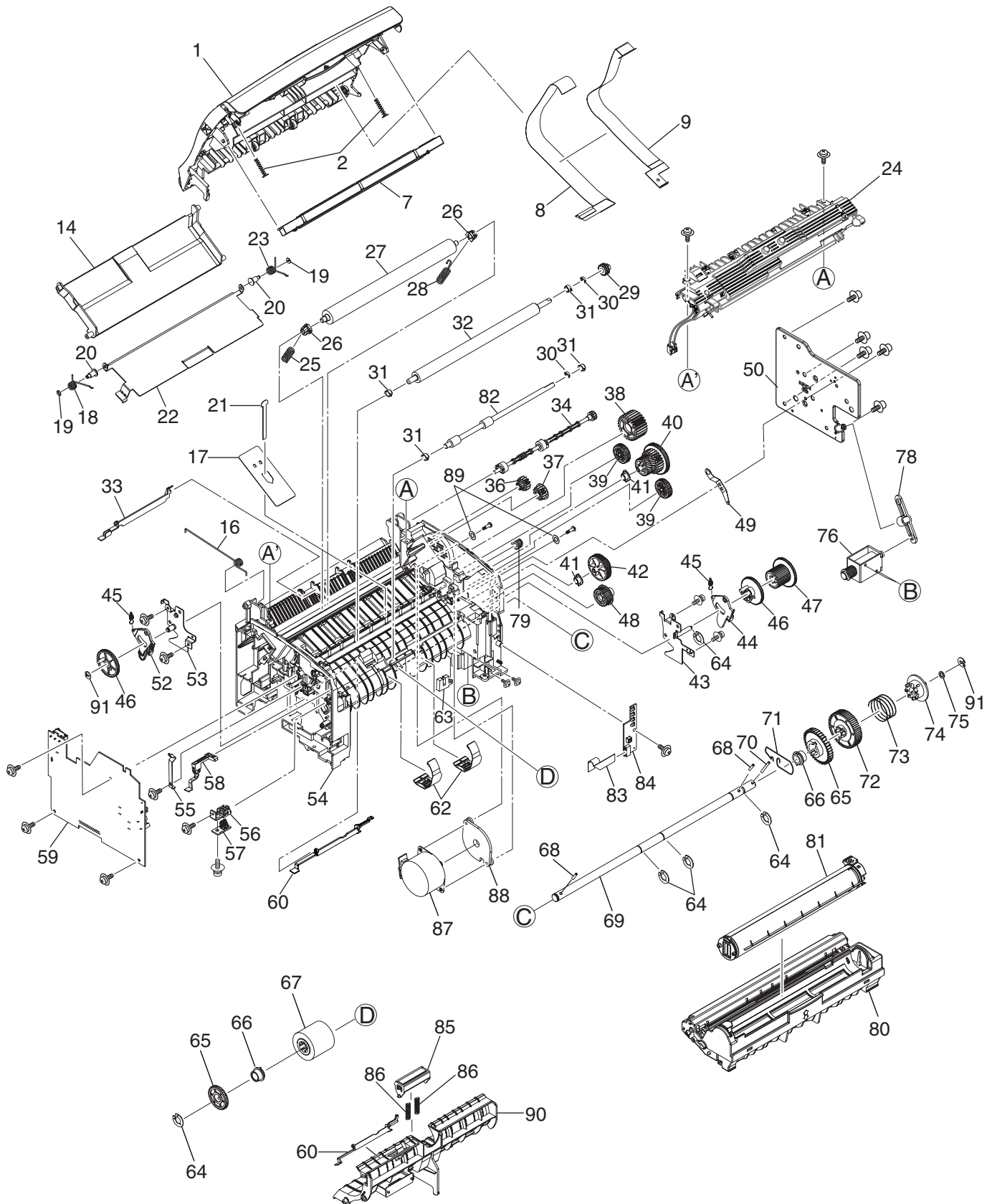
Cover Assy Upper



Base plate Assy



Base Frame Unit Assy



Rev	Unit Name	No.	Part No.	Part Name	Q'ty /Unit	Recommended Q'ty/Year			Remarks	Special (LITEON Part No.)	Del/ Add	Remarks for environment
						per 500	per 1000	per 2000				
	Cover Assy Upper	1	43761701	Cover Upper Assy(281)	1	1	2	4		-		-
	Cover Assy Upper	2	43761801	Holder_Paper_Assy(281)	1	1	2	4		-		-
	Base Plate Assy	1	43761902	Power_Supply_Unit(281)	1	1	2	4	230V	31-00146-00A		-
	Base Plate Assy	3	43762101	High_Voltage_Power_Supply_Boa rd 2(281)	1	1	2	4		50-01193-00B		-
5	Base Plate Assy	5	43791402	Main board-4LNPOD2(281)	1	1	2	4	for 2400n (except for			-
5	Base Plate Assy	5	43791702	Main board-4L_POD2(281)	1	1	2	4	for 2400 (except for			-
5	Base Plate Assy	5	43792002	Main board-2LNGOD2(281)	1	1	2	4	for 2200n (except for			-
5	Base Plate Assy	5	43792302	Main board-2L_GOD2(281)	1	1	2	4	for 2200 (except for			-
	Base Frame Unit	1	43762601	Cover-Top_Assy(281)	1	1	2	4		-		-
4	Base Frame Unit	7	43406901	LED Head Unit-51STB	1	1	1	2		52-01256-03A		-
4	Base Frame Unit	8	43762901	Flat_Cable_24p(281)	1	1	1	2		23-00241-09A		-
	Base Frame Unit	24	43764102	Heat_Assy(281)	1	1	2	4	230V	52-03109-01A		-
	Base Frame Unit	25	43764201	Spring_Pressure_L(281)	1	1	2	4		21-03166-00B		-
4	Base Frame Unit	26	43764301	Bearing-BU(281)	2	1	2	4		21-03159-00A		-
	Base Frame Unit	27	43764401	Roller_Pressure_B(281)	1	1	2	4		21-03160-00A		-
	Base Frame Unit	28	43764501	Spring-Pressure_R(281)	1	1	2	4		21-03166-01B		-
	Base Frame Unit	29	43764601	Gear_T(281)	1	1	2	4		54-07698-00A		-
	Base Frame Unit	32	43764901	Roller_Transfer(281)	1	1	2	4		21-03259-00A		-
	Base Frame Unit	33	43765001	Sensor_Paper_Exit(281)	1	1	2	4		54-07773-00B		-
	Base Frame Unit	34	43765101	Shaft_SubAssy_Eject(281)	1	1	2	4		-		-
	Base Frame Unit	37	43765401	Gear_Idle_EA(281)	1	1	2	4		54-07702-00A		-
	Base Frame Unit	38	43765501	Gear_Idle_Heat(281)	1	1	2	4		54-07699-00A		-
	Base Frame Unit	57	43767301	PCBA_TAG_Sensor(281)	1	1	2	4		50-01358-00B		-
	Base Frame Unit	58	43767401	Sensor Assy.-Toner(281)	1	1	2	4		52-03102-00A		-
	Base Frame Unit	59	43770601	High Voltage Power Supply Board	1	1	2	4		50-01192-00B		-
4	Base Frame Unit	60	43767501	Sensor_Paper_E(281)	2	1	2	4		54-07772-00C		-
	Base Frame Unit	63	43767801	Photo-Inter(281)	1	1	2	4		20-00402-05B		-
	Base Frame Unit	64	43767901	C_Ring_d7(281)	4	4	8	16		28-00690-00A		-
	Base Frame Unit	67	43768201	Hopping_roller_Assy(281)	1	1	2	4		52-03104-01A		-
	Base Frame Unit	76	43769101	Solenoid_pickup(281)	1	1	2	4		20-01550-00B		-
	Base Frame Unit	82	43769601	Roller_Regist(281)	1	1	2	4		21-03246-00A		-
	Base Frame Unit	83	43769701	Flat_Cable_OP_8p(281)	1	1	2	4		23-00548-00A		-
	Base Frame Unit	84	43769801	Panel-LED_PCBA(281)	1	1	2	4		50-01194-00B		-
7	Base Frame Unit	85	44207901	Separator_Guide_Assy(281)	1	1	2	4		52-00126-18A	A	-
	Base Frame Unit	87	43770101	Motor_stepping(281)	1	1	2	4		20-01405-00C		-
	Base Frame Unit	91	43770501	C_Ring_d3(281)	2	2	4	8		28-00693-00A		-