

EPSON

EPL-N2750

Important items in bold type.

Page 1

REF	PART NO	DESC RIPTION	SPEC	QTY
01-01	1046659	COVER	4108-1043-02	1
01-02	1046660	COVER	4108-1054-01	1
01-03	1046661	TOP COVER	4108-1047-02	1
01-04	1046662	SEAL	4108-1056-01	2
01-05	1046663	COVER	4108-1053-01	1
01-06	1046664	COVER	4108-1055-02	1
01-07	1046665	COVER	4108-1049-01	1
01-08	1046666	REAR COVER	4108-1052-03	1
01-09	1046667	COVER	4108-1057-01	1
01-10	1046668	SEAL	1164-1031-01	2
01-100	1054756	LOGO PLATE ASSY		1
01-11	1046669	RAIL	4108-2602-02	1
01-12	1046671	HANDLE	4108-1051-03	1
01-13	1046672	FRONT COVER	4108-1046-04	1
01-14	1046673	COVER	4108-1050-02	1
01-15	1050804	GUIDE	4108-1058-01	2
01-200	2036127	BOARD ASSY., MAIN	5524J,V2 ASP	1
T400	2026976	TRANSFORMER		1
01-450	2029240	CONTROL PANEL		1
02-01	1046674	LABEL	1164-7322-02	1
02-02	1046675	LABEL	1164-7316-01	1
02-03	1046676	I/C GUIDE ASSY	1164-0751-01	1
02-04	1046677	PLATE SPRING	1164-2021-02	1
02-05	1046678	FRAME	1164-2006-06	1
02-06	1046679	TENSION SPRING	1164-2039-01	1
02-07	1046680	LEVER	1164-2038-01	1
02-08	1046681	TENSION SPRING	1164-2044-01	1
02-09	1046682	FLANGE	1164-2046-01	1
02-10	1046683	PRESSURE SPRING	1164-2045-01	1
02-11	1031799	RUBBER FOOT		2
02-12	1046684	FLANGE	4108-2604-01	1
02-13	1046685	COVER	4108-2605-01	1
02-14	1046686	WIRE	1164-2043-01	1
02-15	1046687	GUIDE	1164-2050-01	1
02-16	1046688	PLATE SPRING	1164-3054-01	1
02-17	1046689	SHUTTER	1164-2036-02	1
02-18	1046690	TORSION SPRING	1164-2037-01	1
02-19	1046691	BASE FRAME	1164-2001-05	1
02-20	1055111	FRAME	1164-2727-01	1
02-21	1046693	RUBBER FOOT	0996-3055-01	2
02-22	1046694	HOLDER	4498-3392-03	4
02-23	1046131	COLLAR	1200-2105-05	1
02-24	1046132	BRACKET	4108-2152-02	1
02-25	2031110	HARNESS	4108-6802-02	1
02-26	2031111	SWITCH	9332-5710-11	1
02-27	2035318	HARNESS	1165-6804-02	1
02-28	1046695	GUIDE PLATE	1164-2053-02	1
02-29	1046696	LABEL HIGH VOLTAGE	1129-7303-01	1
02-30	1046698	TENSION SPRING	1400-2143-09	1
02-31	1054011	BRACKET	4108-2095-12	1
02-32	1033315	RETAINING RING		3
02-33	1054013	LEVER	4108-2097-12	1
02-34	1046700	SHAFT	1200-5213-04	3
02-35	1046701	JOINT	4108-2099-01	1
02-36	1054012	LEVER	4108-2096-02	1
02-37	1046703	GUIDE	4108-2098-01	1
02-41	1055183	BRACKET	1165-2117-01	1
02-42	2035317	SWITCH	9332-1710-41	1
03-01	1046704	COVER	4108-1041-01	1
03-02	1046705	COVER	4108-5851-02	1
03-03	1046707	LABEL CAUTION	1164-7310-01	1
03-04	1046708	STOPPER	4108-5826-01	1
03-05	1046709	COVER	1164-5776-03	1
03-07	1046711	GUIDE ASSY	1164-0756-01	1
03-08	1046712	SPACER	1164-5767-01	1
03-09	1046713	STOPPER	4470-4024-01	1
03-10	2030595	PHOTO INTERRUPTER	9335-1510-11	1
03-11	1046714	GUIDE LEVER	1164-5755-02	1

EPSON

EPL-N2750

Page 2

REF	PART NO	DESC RIPTION	SPEC	QTY
03-12	1046715	ROLL	1164-5762-01	7
03-13	1045721	TORSION SPRING	1164-5735-01	1
03-14	1045722	ACTUATOR	1164-5734-02	1
03-15	1046718	GUIDE LEVER	1164-5751-02	5
03-16	1046719	GUIDE LEVER	1164-5769-01	1
03-17	2031117	HARNESS	1164-6805-02	1
03-18	1046720	SHAFT	1164-5786-00	1
03-19	1046721	SHOULDER SCREW	1164-5783-01	2
03-20	1046722	LEVER	4108-5821-01	1
03-21	1046723	TORSION SPRING	4108-5824-01	1
03-22	1046724	COVER	1164-5731-05	1
03-23	1046725	REAR FRAME	1164-5742-04	1
03-24	1046726	SHOULDER SCREW	1164-5819-01	1
03-25	1031598	GEAR 17T		1
03-26	1046727	GEAR 22T	1164-5809-01	2
03-27	1046731	LEVER	1164-5806-03	1
03-28	1046732	TENSION SPRING	1164-5805-03	1
03-29	1046735	GEAR 24T	1164-5808-02	1
03-30	1046736	GEAR 14T	1164-5807-01	1
03-31	1046739	BUSHING	1274-2611-01	2
03-32	1046740	HOLDER	1164-2093-01	1
03-34	1046742	GUIDE	1164-5779-01	2
03-35	1046743	ROLLER	1164-5801-06	1
03-36	1046744	SPACER	1164-5765-01	2
03-37	1046745	GUIDE PLATE-FNT	1164-5743-05	1
03-38	1054188	REINFORCE PLATE	4108-0226-12	1
03-40	1055109	FRONT FRAME	1164-5741-16	1
03-41	1046750	SHOULDER SCREW	1164-5816-01	1
03-42	1046751	COVER	1164-5730-06	1
03-43	1046753	TORSION SPRING	1164-5815-03	1
03-44	1046754	LABEL JAM REMOVAL	1164-7328-01	1
03-45	1046755	TORSION SPRING	4108-5822-01	1
03-46	1046756	SEAL	1164-5738-01	1
03-47	1046757	FRAME ASSY	1164-0752-01	1
03-48	1046758	SHAFT	1164-5785-01	1
03-49	1046759	REINFORCE PLATE	1164-5761-01	1
03-50	1046760	LEVER	4108-5820-01	1
03-51	1046761	STOPPER	4108-5825-01	1
03-52	1046762	NEUTRALIZING BRUSH	4108-5827-01	1
03-54	2035315	FUSING UNIT 220/240V	4108-0323-19	1
03-55	1050808	CONTACT PLATE	1164-5841-01	1
03-56	1050809	SPACER	1164-5840-01	1
03-57	1050810	SEAL	4108-5833-01	2
03-58	1050811	PLATE	4108-2717-01	1
03-59	1050812	SPACER	1165-2702-01	3
03-60	1050813	SEAL	4108-2720-01	1
04-01	1046764	SHOULDER SCREW	1164-5749-02	2
04-02	1046765	COLLAR	1164-5795-01	2
04-03	1046766	PRESSURE SPRING	1164-5739-02	2
04-04	1046767	SPACER	1164-5782-01	2
04-05	1045723	BALL BEARING	1165-5713-01	2
04-06	1046768	LEVER	1164-0214-04	1
04-07	1046769	GEAR 20T	1164-5758-02	1
04-08	1046770	GEAR 20T	1164-5770-01	1
04-09	1046771	SHAFT	1164-5757-02	1
04-10	1046772	REGULATON PLATE	1164-5790-03	1
04-11	2023004	PW BOARD-R(NO IC)		1
04-12	1046773	C-RING	1164-5772-01	2
04-13	1046774	GEAR 39T	1164-5709-01	1
04-14	1045724	BUSHING	1164-5736-01	2
04-15	2030596	THERMISTOR	9372-2710-12	1
04-16	1045725	PRESSURE SPRING	1164-5733-01	5
04-17	1046775	ROLL	1164-5797-02	2
04-18	1046776	HOLDER	1164-5796-01	1
04-19	1046777	HOLDER	1164-5798-01	1
04-20	1046778	HOLDER	1164-5737-01	1
04-20	1055180	BRACKET	1165-5771-03	1
04-21	1046779	TUBE	1164-5831-01	1
04-22	1031557	ROLL		4

EPSON

EPL-N2750

Page 3

REF	PART NO	DESC RIPTION	SPEC	QTY
04-23	1046780	TUBE	1164-5830-01	2
04-24	1046781	TUBE	1164-5829-01	1
04-25	1046782	TORSION SPRING	1164-5803-02	2
04-26	1046783	SHAFT	1164-5804-03	1
04-27	2030597	THERMOSTAT	9334-1710-42	1
04-28	2030598	THERMAL FUSE	9346-3810-31	1
04-29	1046784	SUPPORT PLATE	1164-5777-01	2
04-30	1046785	GROUND PLATE	1164-5778-01	1
04-31	1046786	HOLDER	1164-5744-01	1
04-31	1055181	BRACKET	1165-5752-01	1
04-32	2035319	HARNESS	4117-6802-01	1
04-33	1045726	SEPARATOR	1164-5732-03	5
04-34	1045727	FUSING ROLLER	1164-5704-01	1
04-36	2035322	HEATER 220/240V	9352-2910-31	1
04-38	1046789	SHAFT	1164-5750-01	1
04-39	1046790	LEVER	1164-0213-03	1
04-40	1045728	ROLLER	1164-5707-01	1
04-42	1055182	SUPPORT PLATE	1165-5787-01	1
05-14	1046791	COVER	4108-0751-01	1
05-15	1046792	LOCK PLATE	1164-2014-03	1
05-16	1046793	COVER	4108-1044-01	1
05-17	1046794	TORSION SPRING	1164-2013-02	1
05-18	1046795	HOOK	1164-2011-03	1
05-19	1046796	PRESSURE SPRING	1164-3518-01	2
05-20	1046797	GROUND PLATE	1164-2071-02	1
05-21	1046798	BRACKET	1164-2067-03	1
05-22	2031125	HARNESS	1164-6816-01	1
05-24	2030603	FAN MOTOR	9313-1710-51	1
05-25	1046800	CUSHION	1164-3526-01	1
05-26	1046801	SHAFT	1164-2015-01	1
05-27	1046802	JOINT	1164-2007-01	1
05-28	1046803	GEAR 14T	1164-2027-02	1
05-29	1054014	LEVER	1164-2008-23	1
05-30	1054015	LEVER	1164-2009-14	1
05-31	1046806	GEAR 14T	1164-2026-01	1
05-32	1046807	SHOULDER SCREW	1164-2028-01	1
05-33	1046808	SHOULDER SCREW	1164-2084-01	1
05-34	1046809	BRACKET	1164-2054-01	1
05-35	1046810	HOOK	1164-2017-04	1
05-36	1046811	LOCK RELEASE LEVER	4108-2601-01	1
05-37	1046812	COVER	4108-1045-01	1
05-38	1054016	LEVER	1164-2052-03	1
05-39	1046814	COVER	4108-1048-01	1
05-45	2030595	PHOTO INTERRUPTER	9335-1510-11	1
05-52	2033073	HARNESS	4108-6817-01	1
06-01	1046815	TERMINAL	1164-4220-01	1
06-02	1046816	BRACKET	1164-3529-01	1
06-03	1046817	HOLDER ASSY	1164-0753-01	1
06-04	2031126	PW BOARD-R	1164-0109-01	1
06-05	1046818	PRESSURE SPRING	1164-4207-01	2
06-06	1046819	PLATE SPRING	1164-4222-01	2
06-07	1046820	BUSHING	1164-4206-02	2
06-08	1046821	TENSION SPRING	1164-3513-01	2
06-09	1046822	BUSHING	1164-3509-01	4
06-10	2031127	CLUTCH	9322-1710-42	1
06-11	2031128	HARNESS	1164-6806-03	1
06-12	1045729	PRESSURE SPRING	1164-4213-01	1
06-13	1045731	TORSION SPRING	1164-3527-02	1
06-14	2030595	PHOTO INTERRUPTER	9335-1510-11	1
06-15	1045730	ACTUATOR	1164-3504-03	1
06-16	1045732	TRANSFER ROLLER UNIT	1164-0335-01	1
06-16	1053410	TRANSFER UNIT	1164-0337-01	1
06-17	1046823	CONVEYOR ROLLER	1164-3505-01	1
06-18	1046824	CONVEYOR ROLLER	1164-3507-01	1
06-20	1046826	GUIDE BAR	1164-3503-04	1
06-21	1046827	GROUND PLATE	1164-3514-02	1
06-22	1046828	GEAR 13T	1164-3515-01	1
06-23	1046829	GEAR 18T	1164-3508-01	1
06-24	1046830	TERMINAL	1164-4219-02	1

EPSON

EPL-N2750

Page 4

REF	PART NO	DESC RIPTION	SPEC	QTY
06-25	1046831	GROUND PLATE	1164-4209-02	2
06-27	2030602	TRANSFER UNIT	4108-0325-02	1
06-28	2034921	HARNESS	4108-6815-02	1
06-31	1050815	WASHER	1200-1461-08	1
06-32	1046910	SPRING WASHER	1500-2660-13	2
07-01	1046833	COVER	4108-2651-01	1
07-02	1046834	COVER	4108-2650-01	1
07-03	1046835	REINFORCEMENT PLATE	1164-2058-05	1
07-04	1046836	LABEL CAUTION	4108-7319-01	1
07-05	2031129	FUSE 3.15A	9346-3810-71	1
07-06	2031131	FUSE 8A	9346-3610-31	1
07-07	1046837	BRACKET	4108-2164-02	1
07-08	2031133	FUSE 6.3A	4107-7802-01	1
07-09	2030606	POWER SUPPLY 220/240V	9325-2810-31	1
07-10	2030607	P/H ASSY	1164-0534-01	1
07-11	1046838	PWB SUPPORT 6.4H	9384-1621-21	2
07-12	1046839	PWB SUPPORT	9384-1610-11	1
07-13	1046840	BRACKET	4108-2656-01	1
07-15	2031136	FUSE 3A	9346-3710-21	2
07-16	2030604	PW BOARD-A	4108-0110-03	1
07-18	1012848	GUIDE RAIL		1
07-19	1031619	GROUND PLATE		1
07-20	1046842	BRACKET	4108-2653-01	1
07-21	1031628	COVER		1
07-22	1031629	SCREW		2
07-23	2033076	FERRITE CORE	1144-6272-01	1
08-01	2031138	HARNESS	1164-6808-01	1
08-02	1046843	GUIDE BAR	1164-3521-04	1
08-03	1046844	SPONGE	1164-3067-01	1
08-04	1046845	POLYESTER FILM	1164-3535-01	1
08-05	1046846	RAIL	4108-2603-01	1
08-06	1046847	GROUND PLATE	1164-2157-02	1
08-07	1046848	BRACKET	1164-2079-01	1
08-08	2031139	HARNESS	1164-6807-02	1
08-09	2030608	PW BOARD-G	1164-0107-04	1
08-10	1046849	COVER	1164-3026-02	1
08-11	1053408	SHOULDER SCREW	1164-3053-12	1
08-12	2030595	PHOTO INTERRUPTER	9335-1510-11	1
08-13	1045733	ACTUATOR	1164-3027-01	1
08-14	2030610	PWB-HV	9325-1710-13	1
08-15	1046696	LABEL "HIGH VOLTAGE"	1129-7303-01	2
08-16	1046851	COVER ASSY	1164-0754-01	1
08-17	1046852	RAIL	1164-3051-02	1
08-20	1046853	BRACKET	4108-3081-01	1
08-21	1046854	LEVER	4108-3446-01	1
08-22	1046855	TERMINAL	1164-2155-01	1
08-23	1046856	COVER	4108-3445-01	1
08-24	1050816	SHEET	1164-3538-01	1
08-25	1053409	WASHER	1200-1346-12	1
09-01	1046857	GUIDE	1164-2051-01	1
09-02	1046858	TORSION SPRING	1164-2049-02	1
09-03	1046859	BRACKET	1164-2116-02	1
09-04	2030612	MICRO SWITCH	9331-2710-11	1
09-07	2030613	PWB-MOTOR	9314-2710-82	1
09-08	2030614	PWB-MOTOR	9314-2710-72	1
09-11	2030615	FAN MOTOR	9313-1710-61	1
09-12	1046862	BRACKET	4108-3084-01	1
09-13	2030618	DETECTING SWITCH	9332-1810-91	1
09-14	2031140	HARNESS	1164-6811-01	1
09-15	1046863	COVER	9384-2310-41	1
09-16	1046864	BRACKET	1164-2165-02	1
09-17	1046694	HOLDER	4498-3392-03	2
09-18	1046865	BRACKET	1164-2123-01	1
09-19	2031141	FERRITE CORE	9326-1510-41	1
09-20	2031142	HARNESS	4108-6801-03	1
09-21	1046866	BUSHING	1200-3231-05	2
09-22	1046867	BRACKET	1164-2535-02	1
09-23	2031144	HARNESS	4108-6806-02	1
09-24	1046868	GEAR 49T	4108-2547-01	1

EPSON

EPL-N2750

Page 5

REF	PART NO	DESC RIPTION	SPEC	QTY
09-25	1046869	COVER	1149-3444-01	1
09-26	1046870	BRACKET	1164-3024-03	1
09-27	1045734	LEVER	1164-3023-01	1
09-28	2030595	PHOTO INTERRUPTER	9335-1510-11	1
09-29	2031145	HARNES	1164-6809-01	1
09-30	2030617	DRIVE UNIT	1164-0160-05	1
09-31	1046871	LABEL	1164-7323-01	1
09-32	1046872	GEAR 20T	1164-2517-01	1
09-33	1046873	GEAR 18T	1164-2513-01	1
09-34	1046874	SHAFT	1164-2530-01	1
09-35	1046875	SHAFT	1164-2527-01	1
09-36	1046876	BRACKET	1164-2041-02	1
09-37	2031146	HARNES	1164-6814-01	1
09-38	1046877	COVER	4108-1042-01	1
09-39	2024666	FERRITE CORE		1
09-40	2033078	FERRITE CORE	9326-1810-41	1
09-41	2033079	FERRITE CORE	9326-1810-51	2
09-42	2033080	FERRITE CORE	9326-1110-51	1
09-43	2033081	HARNES	4108-6816-01	1
10-01	1046878	STOPPER RING	1164-3065-01	2
10-02	1046879	SHAFT	1164-3002-03	1
10-03	1046880	PRESSURE SPRING	1164-3047-02	2
10-04	1045736	SEPARATPR	1164-0755-01	1
10-05	1046881	PRESSURE SPRING	1164-3008-03	1
10-06	1046882	POLYESTER FILM	1164-3046-01	1
10-07	1046883	BUSHING	1164-3003-01	2
10-08	1046884	PRESSURE SPRING	1164-3005-02	1
10-10	1046886	JOINT	1164-3004-02	1
10-11	1046887	LOCK LEVER	4108-3090-01	1
10-12	1046888	FRICION SHEET	1164-3064-01	1
10-13	1046889	REGULATING PLATE	4108-3087-01	1
10-14	1046890	LABEL MAX LEVEL	1164-7343-02	1
10-15	1046891	REGULATING PLATE	4108-3088-02	1
10-16	1046892	LIFTING PLATE	4108-3086-01	1
10-17	1046894	WIDTH SCALE	4108-7350-01	1
10-18	1046895	RACK GEAR	1164-3049-02	2
10-19	1046896	TORSION SPRING	4108-3083-02	1
10-20	1046897	GEAR 20T	1164-3045-01	1
10-21	1046898	LEVER	1164-3021-01	1
10-22	1045737	REGULATING PLATE	4108-3089-01	1
10-23	1046900	LENGTH SCALE	4108-7351-01	1
10-24	1046901	LABEL PAPER LOADING	4108-7356-01	1
10-25	1053407	CASSETTE BODY	4108-3085-13	1
10-26	1046903	HANDLE	4108-3091-01	1
10-27	1046904	COVER	4108-3092-01	1
10-28	1046905	POLYESTER FILM	1164-3056-01	1
10-29	1046906	PRESSURE SPRING	1164-3062-01	1
10-30	1046907	LOCK LEVER	1164-3061-01	1
10-31	1045738	ROLL	1164-3001-01	1
10-32	1046908	WEIGHT	1164-3063-04	1
10-33	1046909	WASHER	1164-3066-01	1
10-34	1046910	WAVE WASHER	1500-2660-13	2
10-35	1027447	WASHER		1
10-36	1046911	LABEL PAPER SIZE	4108-7357-01	1
10-37	1050819	STOPPER	1164-3068-01	1
11-01	1056355	GUIDE	4498-0754-03	1
11-02	1046918	BRACKET	4498-3313-02	2
11-03	1046919	PLATE SPRING	4498-3382-02	2
11-04	1046920	RUBBER FOOT	4498-3436-01	1
11-05	1054057	FRAME	4498-3481-05	1
11-06	1046922	COVER	4498-3444-01	1
11-07	1046923	GROUND PLATE	4498-3381-01	1
11-10	1046925	BRACKET	4498-3374-01	1
11-11	2030620	PW BORD-A	4498-0101-13	1
11-12	1046926	PWB SUPPORT 6.35H	9384-1900-56	1
11-13	2031149	HARNES	4498-6804-02	1
11-14	1046927	BRACKET	4498-3376-01	1
11-15	1046928	SHOULDER SCREW	4498-3408-01	2
11-16	1046929	RUBBER FOOT	4498-3409-01	1

EPSON

EPL-N2750

Page 6

REF	PART NO	DESC RIPTION	SPEC	QTY
11-17	1046930	HOLDER	4498-3490-03	1
11-18	1046931	SPRING	4498-3491-01	1
11-19	1046932	BRACKET	4498-3485-01	1
11-20	1046933	BRACKET	4498-3483-01	1
11-21	1046934	SHOULDER SCREW	4498-3487-01	2
11-22	2030624	SWITCH	9332-1810-81	1
11-23	2031150	HARNESS	4498-6805-01	1
11-24	1046935	COVER	4498-3486-01	1
11-25	1046936	RUBBER FOOT	4498-3402-01	2
11-26	1046937	BRACKET	4498-0219-01	1
11-27	1046938	BRACKET	4498-3393-01	1
11-28	1046939	RAIL	4498-0218-02	1
11-29	1046940	PLATE SPRING	4498-3384-02	1
11-30	1046941	BRACKET	4498-3488-01	1
11-31	1046694	HOLDER	4498-3392-03	4
11-32	1056356	SPACER	4498-3840-01	2
12-01	1046942	GUIDE PLATE	4498-3353-03	1
12-02	1046943	HOLDER	4498-3411-01	2
12-03	1046944	POLYESTER FILM	4498-3410-01	2
12-04	1046945	DOLLER	4498-3336-02	2
12-05	1045743	ROLLER	4498-3479-03	1
12-06	1046946	SHAFT	4498-3335-02	1
12-07	1046947	AXLE PLATE	4498-3333-02	1
12-08	1046948	ROLLER	4498-3351-01	1
12-09	1046949	BUSHING	4498-3405-01	1
12-10	1046950	GEAR 30/60T	4498-3349-02	1
12-11	1046951	GEAR 31T	4498-3340-01	1
12-12	1046952	TENSION SPRING	4498-3341-01	1
12-13	2030595	PHOTO INTERRUPTER	9335-1510-11	4
12-14	1046953	BRACKET	4498-3309-03	1
12-15	2023012	SOLENOID		1
12-16	1046954	BRACKET	4498-3342-01	1
12-17	1046713	STOPPER	4470-4024-01	4
12-18	1046955	GEAR 16/20T	4498-3350-01	1
12-19	1046956	GEAR 20T	4498-3314-01	2
12-20	1046957	GEAR 18T	4498-3352-01	1
12-21	1046958	BUSHING	4498-3406-01	2
12-22	1046959	GEAR 34T	4498-3315-01	2
12-23	2031152	HARNESS	4498-3806-01	1
12-24	1046960	HOLDER	4498-3383-02	1
12-25	1046961	BRACKET	4498-3373-01	1
12-26	1045744	LEVER	4498-3371-02	1
12-27	1054174	AXLE PLATE	4498-0210-03	1
12-28	1046963	SPACER	4498-3346-01	2
12-29	1045745	TORSION SPRING	4498-3372-02	1
12-30	1046964	BRACKET	4498-3328-01	1
12-31	1045746	TORSION SPRING	4498-3389-01	1
12-32	2030626	ACTUATOR	4498-3327-03	1
12-33	1054173	BRACKET	4498-3337-03	1
12-35	1046967	BRACKET	4498-3330-02	1
12-36	1046968	SHAFT	4498-3334-01	1
12-39	1046969	GUIDE PLATE	4498-3339-03	1
12-40	1046970	GUIDE	4498-3438-01	2
13-01	1052901	GROUND PLATE	4498-3478-01	1
13-02	1046973	CORK	4498-3321-01	2
13-03	1046975	COLLAR	1159-3014-01	4
13-04	1052902	HOLD PLATE	4498-3830-01	2
13-05	1046976	GUIDE PLATE	4498-3344-03	1
13-06	1052903	REGULATING PLATE	4498-3822-01	1
13-07	1052904	LIFTING PLATE	4498-3456-03	1
13-09	1052905	PLATE SPRING	4498-3458-01	1
13-10	1052906	LABEL "PAPER SIZE"	4498-7429-01	1
13-11	1052907	LEVER	4498-3482-02	1
13-12	1052908	PLATE SPRING	4498-3459-02	1
13-13	1052909	PLATE SPRING	4498-3484-01	1
13-14	1052910	FRICTION SHEET	4498-3833-01	1
13-15	1052911	LABEL	4498-7425-01	1
13-16	1052912	LABEL	4498-7426-01	1
13-17	1052913	LABEL	4498-7427-01	1

EPSON

EPL-N2750

Page 7

REF	PART NO	DESC RIPTION	SPEC	QTY
13-18	1052914	STOPPER	4498-3469-01	1
13-19	1052915	REINFORCE PLATE	4498-3455-01	1
13-20	1052916	PLATE SPRING	4498-3468-01	1
13-21	1052917	SHEET	4498-3472-01	1
13-22	1052918	LIFTING PLATE	4498-3457-01	1
13-23	1052919	PRESSURE SPRING	4498-3464-01	1
13-24	1052920	REGULATING PLATE	4498-3454-03	1
13-25	1052921	CASSETTE BODY	4498-0755-01	1
13-26	1046939	RAIL	4498-0218-02	1
13-26	1052922	REINFORCE PLATE	4498-3474-03	1
13-27	1052923	SCREW	4154-3804-01	6
13-28	1052924	PLATE	4498-3829-01	1
13-29	1046985	TENSION SPRING	4498-3404-01	1
13-30	1046984	LEVER	4498-3325-01	1
13-30	1056356	SPACER	4498-3840-01	2
13-31	1054186	LABEL CASSETTE	4498-7424-03	1
13-32	1052926	SCREW	4498-3834-01	2
13-33	1052927	PRESSURE SPRING	4498-3477-01	2
13-34	1052928	GEAR	4498-3827-01	1
13-35	1052929	SHOULDER SCREW	4498-3828-01	1
13-36	1052930	SHAFT	4498-3824-01	1
13-38	1052931	SCREW	4498-3831-01	4
13-39	1052932	LABEL "MAX LEVEL"	4498-7409-01	1
13-40	1052934	KNOB	4498-3470-03	1
13-41	1052935	REGULATING PLATE	4498-3821-01	1
13-42	1052936	PRESSURE SPRING	4498-3825-01	1
13-43	1052937	LEVER	4498-3823-01	1
13-44	1052938	SHAFT	4498-3826-01	1
13-45	1046988	GUIDE PLATE	4498-3343-02	1
13-46	1046987	HANDLE	4498-3442-01	1
14-01	1046912	WIRING SADDLE 21.5H	9384-1110-61	2
14-01	1046913	WIRING SADDLE 19.2H	9348-1211-01	8
14-01	1046914	WIRING SADDLE 5.2H	9384-1310-11	5
14-02	1031831	WIRING SADDLE 6.4H		7
14-02	1046918	BRACKET	4498-3313-02	1
14-03	1046915	WIRING SADDLE 27H	9384-1311-01	6
14-04	1028834	CABLE TIE 104L		1
14-05	1015333	EDGE COVER 8.5H		5
14-06	1033367	EDGE COVER 25.0H		2
14-07	1031738	EDGE COVER 26H		2
14-08	1050820	HOLDER	4108-7510-01	1
0510	1046098	PIN	9752-3014-50	1
1208	1046114	SCREW	9644-0306-13	1
1308	1004686	SCREW		1
1308	1028751	SCREW		1
1309	1046117	SCREW	9646-0310-13	1
1315	1004670	SCREW		1
1421	1046121	SCREW	9648-0308-13	2
1603	1046122	SCREW	9654-0306-01	7
2101	1004709	SCREW		2
2703	1046123	SCREW	9654-0406-14	2
3305	1012121	TAPPING SCREW		1
3305	1046137	TAPPING SCREW	9732-0408-13	1
3435	1031631	TAPPING SCREW		1
3501	1012113	TAPPING SCREW		29
3504	1004720	TAPPING SCREW		11
3505	1028229	TAPPING SCREW		1
3506	1004721	TAPPING SCREW		1
3509	1046140	TAPPING SCREW	9735-0410-13	1
3520	1046138	TAPPING SCREW	9735-0314-13	1
3541	1012096	TAPPING SCREW		1
3702	1015398	TAPPING SCREW		4
3703	1046143	TAPPING SCREW	9739-0412-13	1
3704	1015399	TAPPING SCREW		31
3705	1015400	TAPPING SCREW		1
3708	1012077	TAPPING SCREW		8
3709	1031830	TAPPING SCREW		1
3727	1046142	TAPPING SCREW	9739-0308-14	1
3907	1015402	TAPPING SCREW		1

EPSON

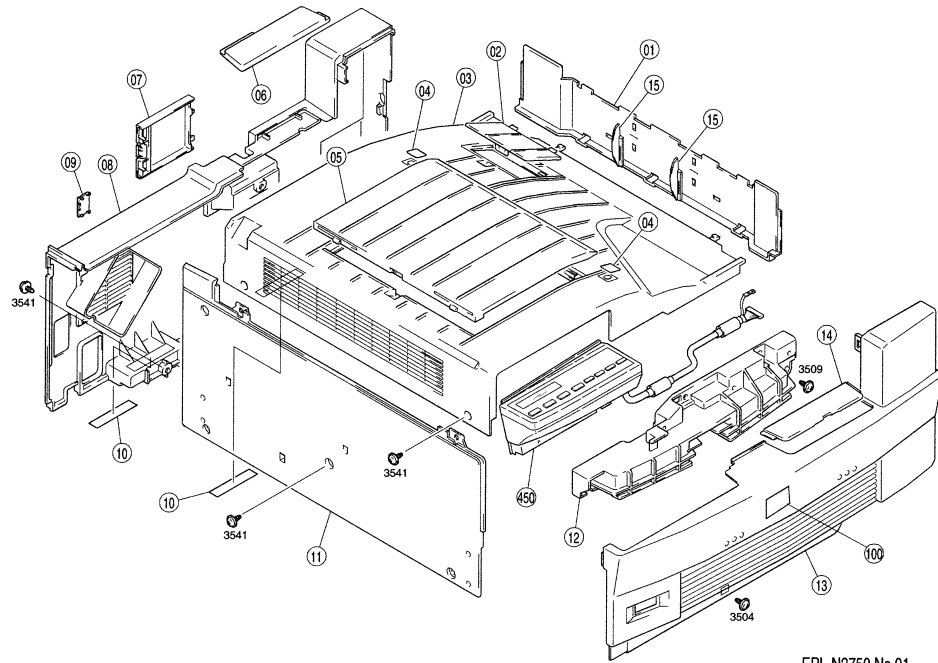
EPL-N2750

Page 8

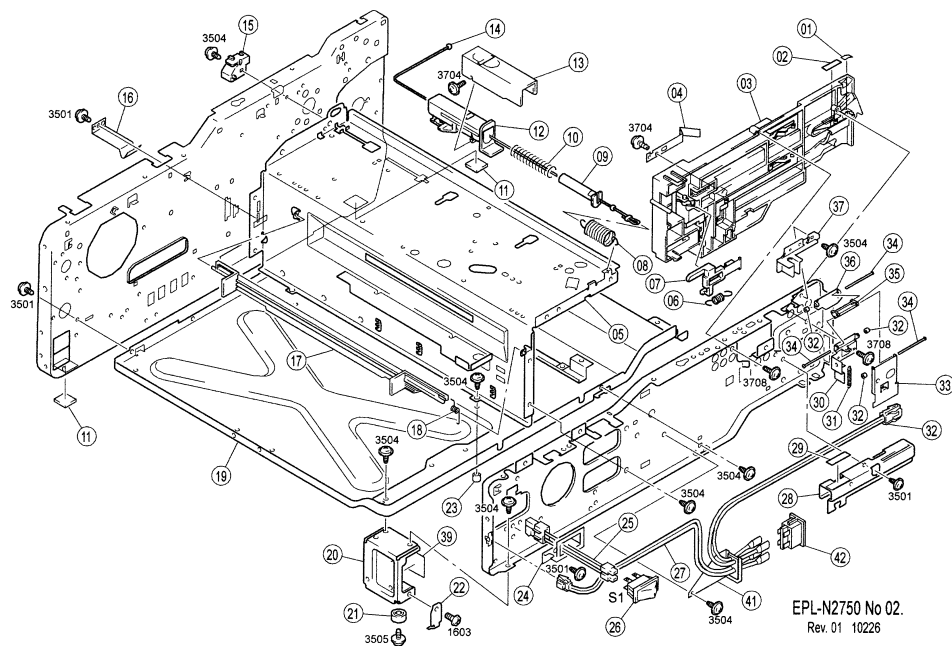
REF	PART NO	DESC RIPTION	SPEC	QTY
3923	1040800	TAPPING SCREW		2
4011	1028753	TAPPING SCREW		2
4012	1015403	TAPPING SCREW		1
4021	1004736	TAPPING SCREW		1
4026	1046995	TAPPING SCREW	9732-0312-13	1
8501	1046152	WASHER	9716-0300-01	6
9102	1031603	RETAINING RING		1
9105	1004745	RETAINING RING		1
9107	1004746	RETAINING RING		5
9112	1004747	RETAINING RING		2
9140	1046109	RETAINING RING	9721-0500-13	5
9301	1046100	RETAINING RING	1066-1151-01	7
9302	1046101	RETAINING RING	4425-3001-01	6
9303	1046102	RETAINING RING	4425-3002-01	1
END				

EPSON EPL-N2750

Page 9



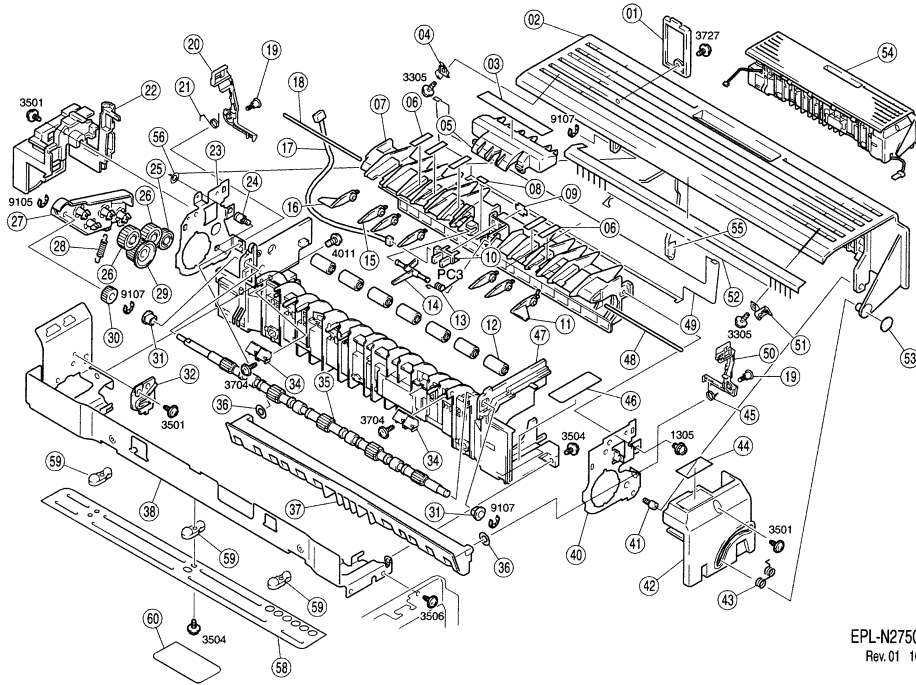
EPL-N2750 No 01.
Rev. 01 10226



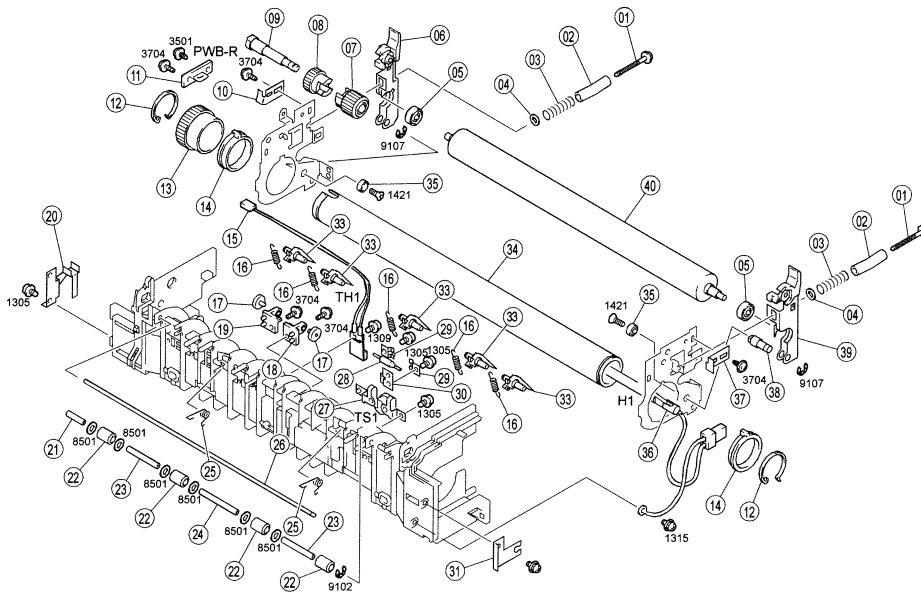
EPL-N2750 No 02.
Rev. 01 10226

EPSON EPL-N2750

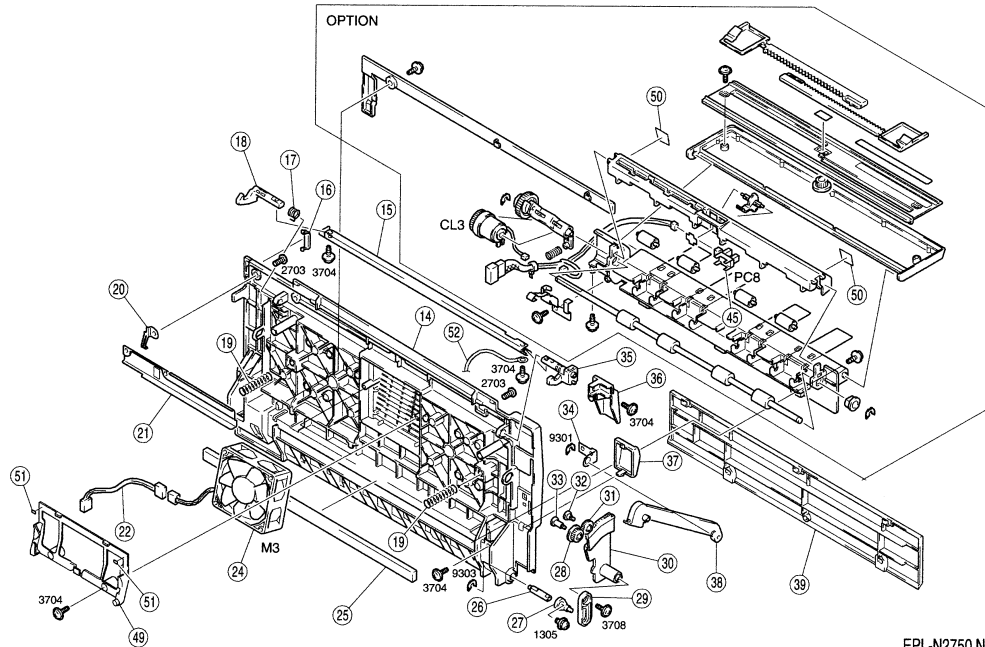
Page 10



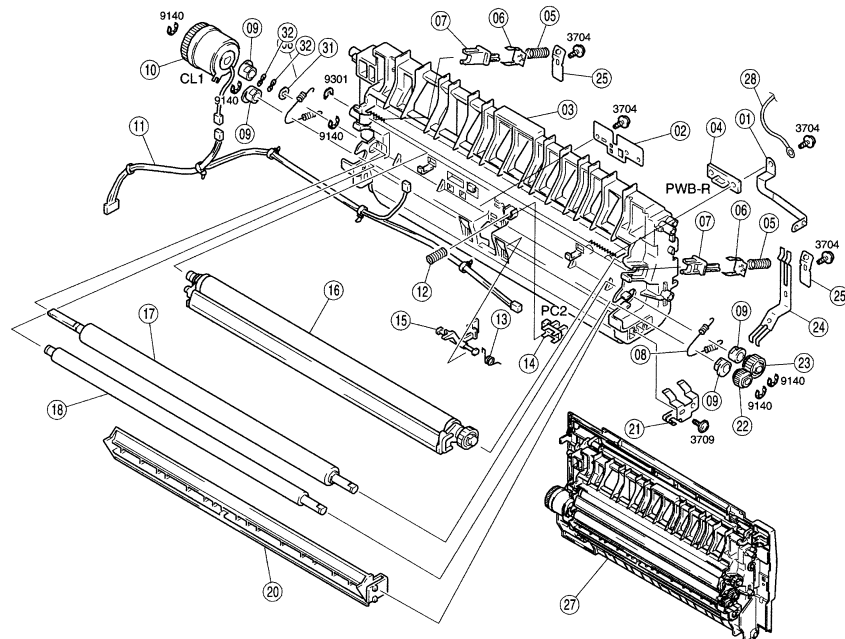
EPL-N2750 No 03.
Rev. 01 10226



EPL-N2750 No 04
Rev. 01 10226



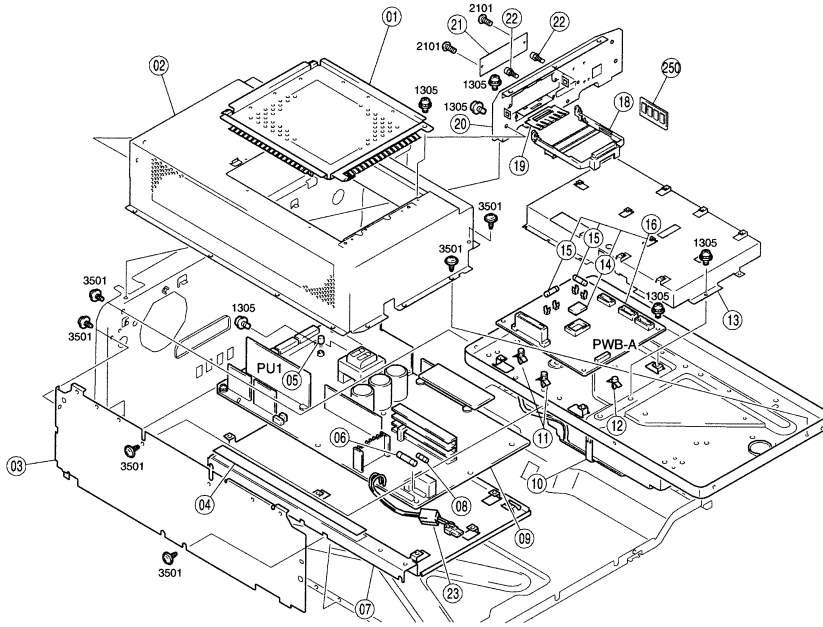
EPL-N2750 No 05
Rev.01 10226



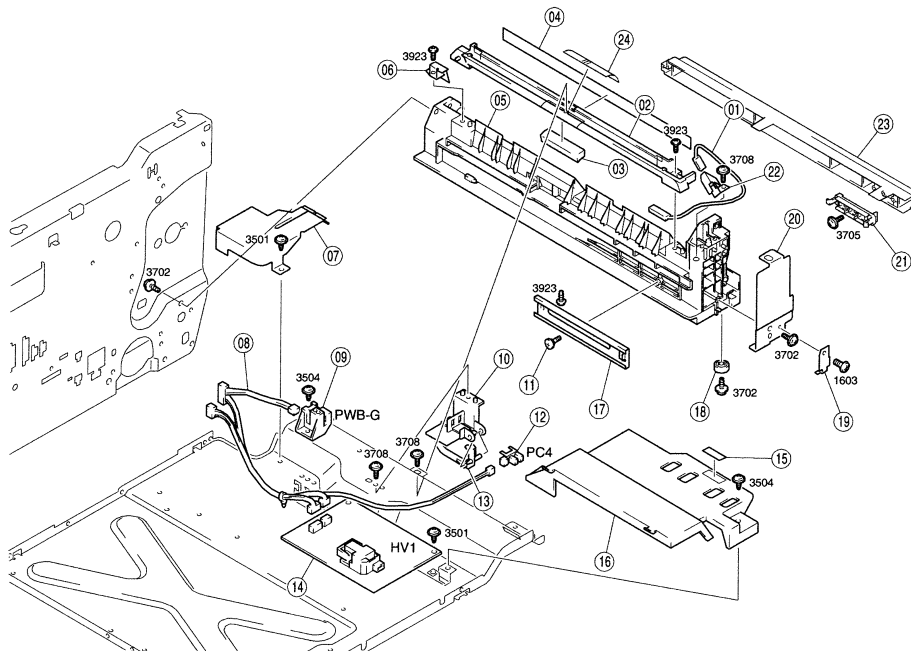
EPL-N2750 No 06
Rev.01 10226

EPSON EPL-N2750

Page 12



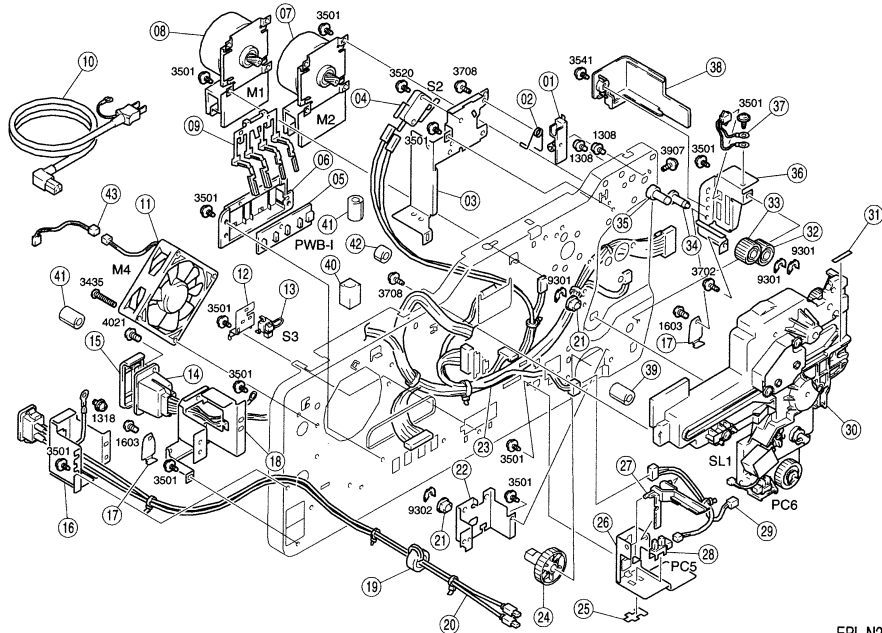
EPL-N2750 No 07
Rev.01 10226



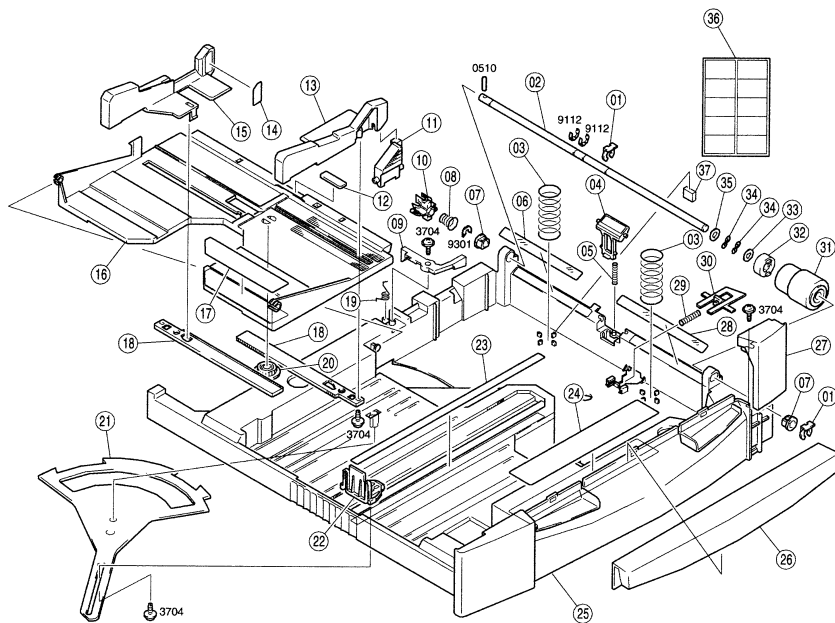
EPL-N2750 No 08
Rev.01 10226

EPSON EPL-N2750

Page 13



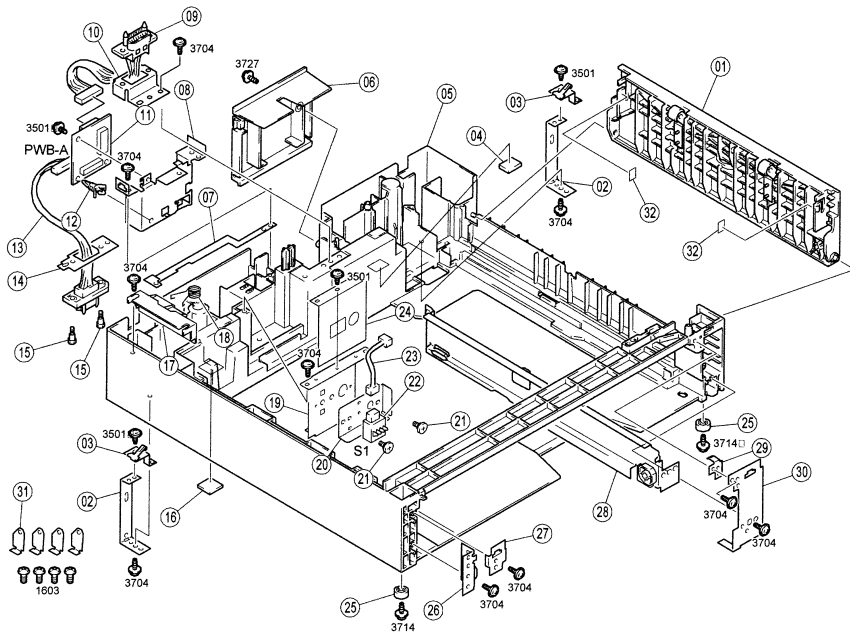
EPL-N2750 No.09
Rev.01 10226



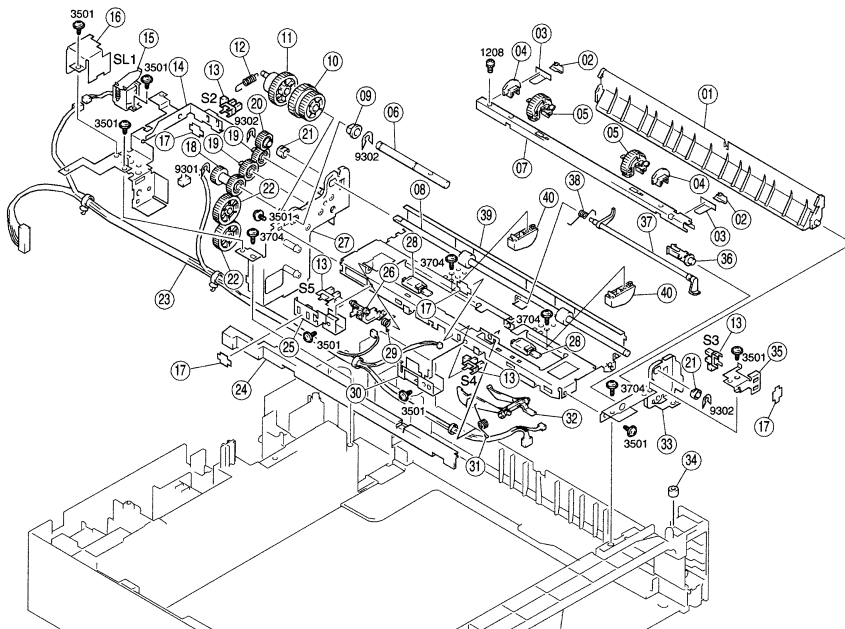
EPL-N2750 No.10
Rev.01 10226

EPSON EPL-N2750

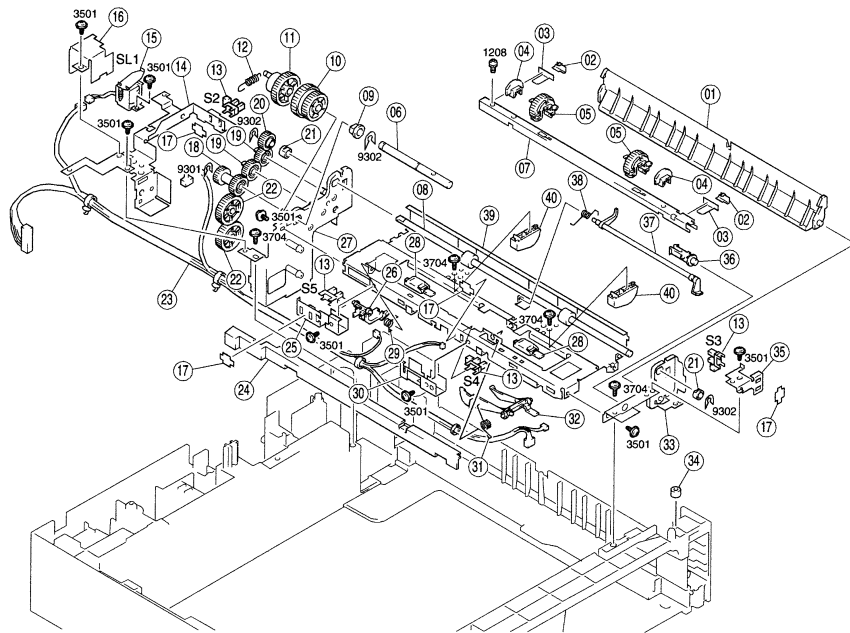
Page 14



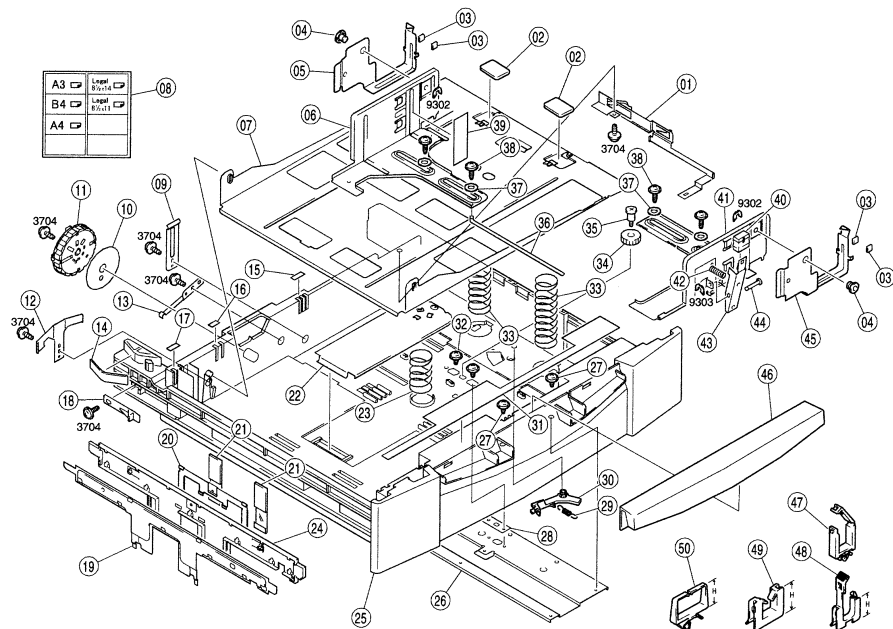
EPL-N2750 No.11
Rev. 01 10226



EPL-N2750 No.12
Rev. 01 10226



EPL-N2750 No.12
Rev.01 10226

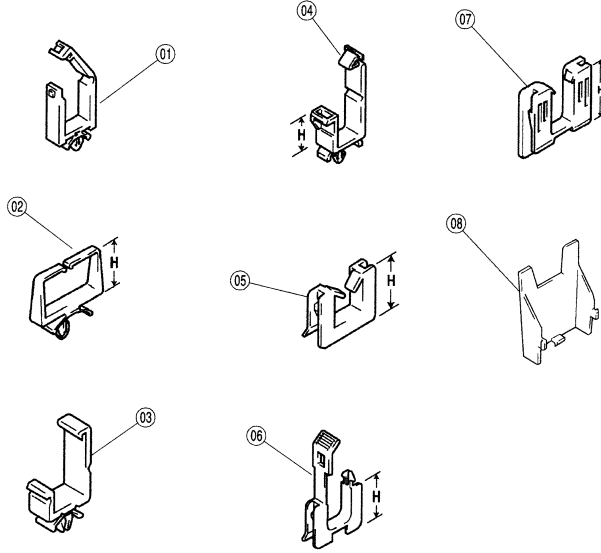


EPL-N2750 No.13
Rev.01 10226

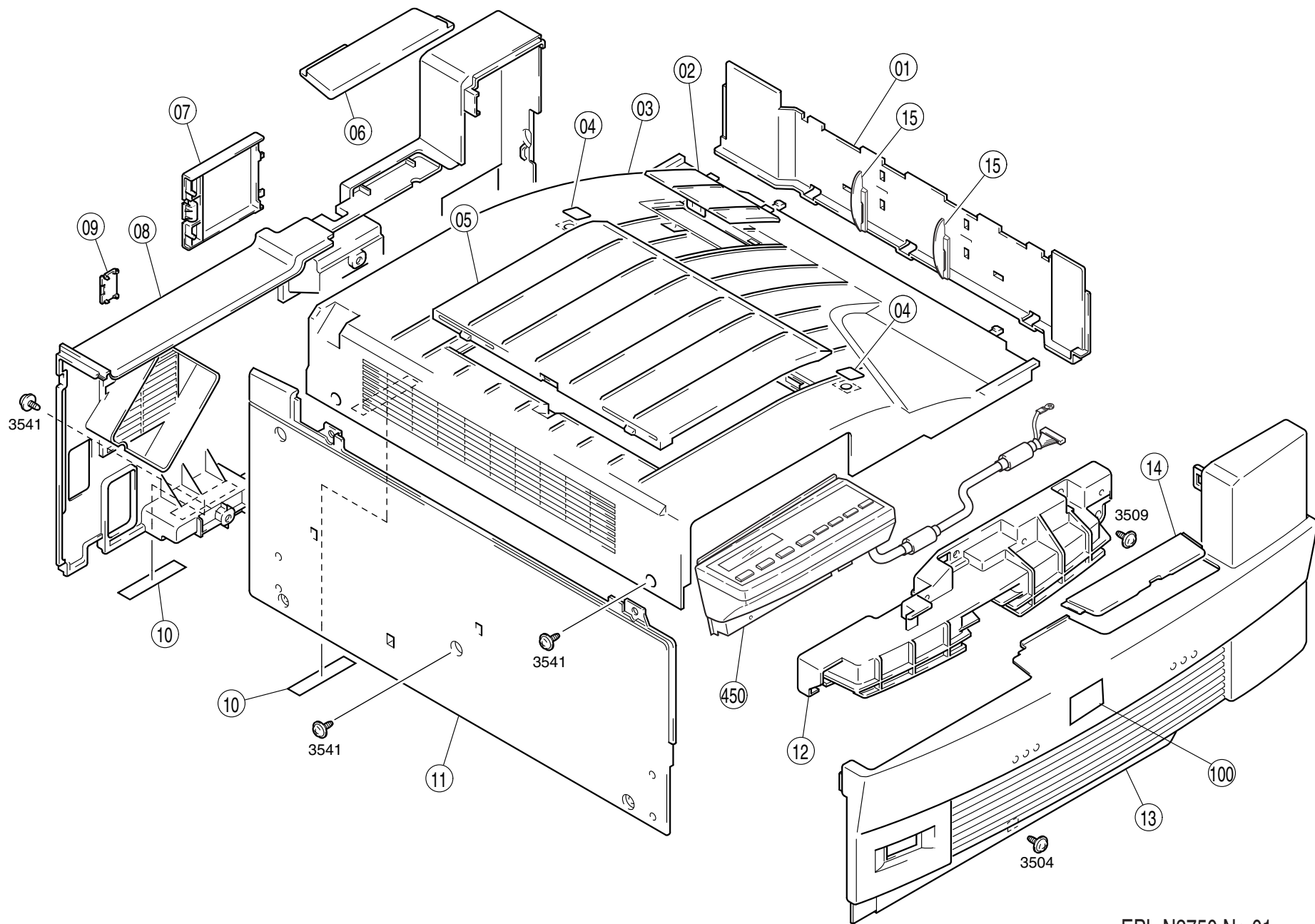
EPSON

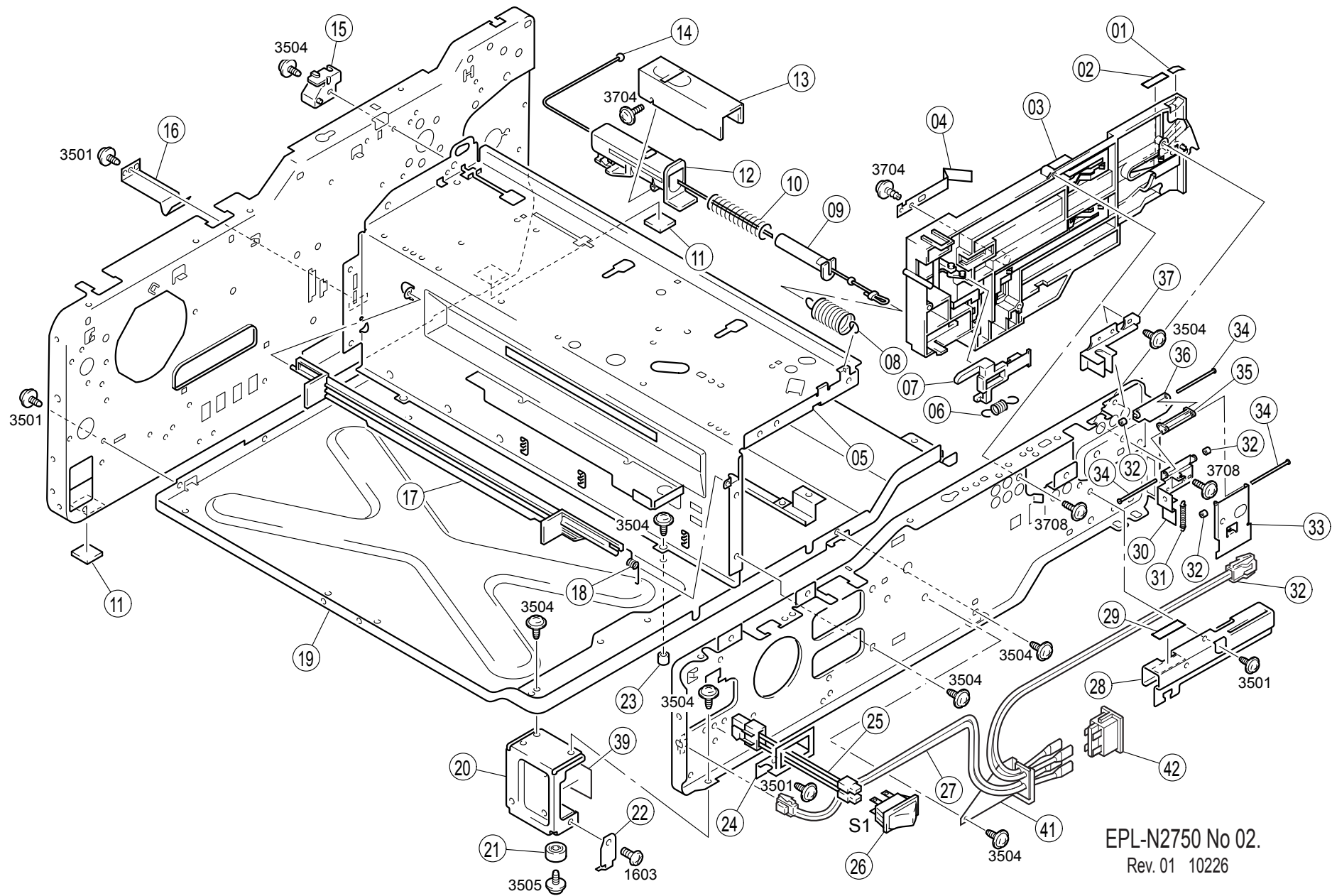
EPL-N2750

Page 16



EPL-N2750 No.14
Rev.01 10226





EPL-N2750 No 02.
 Rev. 01 10226

