

*SHADED COLUMNS ARE IMPORTANT ITEMS*

REF	PART NO.	DESCRIPTION	SPECIFICATION	QTY
01-01	1046659	COVER	4108-1043-02	1
01-02	1046660	COVER	4108-1054-01	1
01-03	1046661	TOP COVER	4108-1047-02	1
01-04	1046662	SEAL	4108-1056-01	2
01-05	1046663	COVER	4108-1053-01	1
01-06	1046664	COVER	4108-1055-02	1
01-07	1046665	COVER	4108-1049-01	1
01-08	1046666	REAR COVER	4108-1052-03	1
01-09	1046667	COVER	4108-1057-01	1
01-10	1046668	SEAL	1164-1031-01	2
01-100	1045614	LOGO, PLATE,ASSY		1
01-11	1046669	RAIL	4108-2602-02	1
01-12	1046671	HANDLE	4108-1051-03	1
01-13	1046672	FRONT COVER	4108-1046-04	1
01-14	1046673	COVER	4108-1050-02	1
01-450	2029240	CONTROL PANEL		1
02-01	1046674	LABEL	1164-7322-02	1
02-02	1046675	LABEL	1164-7316-01	1
02-03	1046676	I/C GUIDE ASSY	1164-0751-01	1
02-04	1046677	PLATE SPRING	1164-2021-02	1
02-05	1046678	FRAME	1164-2006-06	1
02-06	1046679	TENSION SPRING	1164-2039-01	1
02-07	1046680	LEVER	1164-2038-01	1
02-08	1046681	TENSION SPRING	1164-2044-01	1
02-09	1046682	FLANGE	1164-2046-01	1
02-10	1046683	PRESSURE SPRING	1164-2045-01	1
02-11	1031799	RUBBER FOOT		2
02-12	1046684	FLANGE	4108-2604-01	1
02-13	1046685	COVER	4108-2605-01	1
02-14	1046686	WIRE	1164-2043-01	1
02-15	1046687	GUIDE	1164-2050-01	1
02-16	1046688	PLATE SPRING	1164-3054-01	1
02-17	1046689	SHUTTER	1164-2036-02	1
02-18	1046690	TORSION SPRING	1164-2037-01	1
02-19	1046691	BASE FRAME	1164-2001-05	1
02-20	1046692	FRAME	1164-2024-03	1
02-21	1046693	RUBBER FOOT	0996-3055-01	2
02-22	1046694	HOLDER	4498-3392-03	4
02-23	1046131	COLLAR	1200-2105-05	1
02-24	1046132	BRACKET	4108-2152-02	1
02-25	2031110	HARNESS	4108-6802-02	1
02-26	2031111	SWITCH	9332-5710-11	1
02-27	2031112	HARNESS	4108-6805-01	1
02-28	1046695	GUIDE PLATE	1164-2053-02	1
02-29	1046696	LABEL 'HIGH VOLTAGE'	1129-7303-01	1
02-30	1046679	TENSION SPRING	1164-2039-01	1
02-31	1046697	BRACKET	4108-2095-01	1
02-32	1033315	RETAINING RING		3
02-33	1046699	LEVER	4108-2097-01	1
02-34	1046700	SHAFT	1200-5213-04	3
02-35	1046701	JOINT	4108-2099-01	1
02-36	1046702	LEVER	4108-2096-01	1
02-37	1046703	GUIDE	4108-2098-01	1
03-01	1046704	COVER	4108-1041-01	1
03-02	1046705	COVER	4108-5851-02	1

# EPSON

## EPL-N2700

Page 2

REF	PART NO.	DESCRIPTION	SPECIFICATION	QTY
03-03	1046707	LABEL 'CAUTION'	1164-7310-01	1
03-04	1046708	STOPPER	4108-5826-01	1
03-05	1046709	COVER	1164-5776-03	1
03-06	1046710	SPACER	1164-5766-01	5
03-07	1046711	GUIDE ASSY	1164-0756-01	1
03-08	1046712	SPACER	1164-5767-01	1
03-09	1046713	STOPPER	4470-4024-01	1
03-10	2030595	PHOTO INTERRUPTER	9335-1510-11	1
03-11	1046714	GUIDE LEVER	1164-5755-02	1
03-12	1046715	ROLL	1164-5762-01	7
03-13	1045721	TORSION SPRING	1164-5735-01	1
03-14	1045722	ACTUATOR	1164-5734-02	1
03-15	1046718	GUIDE LEVER	1164-5751-02	5
03-16	1046719	GUIDE LEVER	1164-5769-01	1
03-17	2031117	HARNESS	1164-6805-02	1
03-18	1046720	SHAFT	1164-5786-00	1
03-19	1046721	SHOULDERED SCREW	1164-5783-01	2
03-20	1046722	LEVER	4108-5821-01	1
03-21	1046723	TORSION SPRING	4108-5824-01	1
03-22	1046724	COVER	1164-5731-05	1
03-23	1046725	REAR FRAME	1164-5742-04	1
03-24	1046726	SHOULDERED SCREW	1164-5819-01	1
03-25	1031598	GEAR 17T		1
03-26	1046727	GEAR 22T	1164-5809-01	2
03-27	1046731	LEVER	1164-5806-03	1
03-28	1046732	TENSION SPRING	1164-5805-03	1
03-29	1046735	GEAR 24T	1164-5808-02	1
03-30	1046736	GEAR 14T	1164-5807-01	1
03-31	1046739	BUSHING	1274-2611-01	2
03-32	1046740	HOLDER	1164-2093-01	1
03-33	1046741	SPACER	1164-5764-01	1
03-34	1046742	GUIDE	1164-5779-01	2
03-35	1046743	ROLLER	1164-5801-06	1
03-36	1046744	SPACER	1164-5765-01	2
03-37	1046745	GUIDE PLATE-FNT	1164-5743-05	1
03-38	1046746	REINFORCEMENT PLATE	4108-0224-02	1
03-39	1046747	SPACER	1164-5763-01	1
03-40	1046749	FRONT FRAME	1164-5741-04	1
03-41	1046750	SHOULDERED SCREW	1164-5816-01	1
03-42	1046751	COVER	1164-5730-06	1
03-43	1046753	TORSION SPRING	1164-5815-03	1
03-44	1046754	LABEL 'JAM REMOVAL'	1164-7328-01	1
03-45	1046755	TORSION SPRING	4108-5822-01	1
03-46	1046756	SEAL	1164-5738-01	1
03-47	1046757	FRAME ASSY	1164-0752-01	1
03-48	1046758	SHAFT	1164-5785-01	1
03-49	1046759	REINFORCEMENT PLATE	1164-5761-01	1
03-50	1046760	LEVER	4108-5820-01	1
03-51	1046761	STOPPER	4108-5825-01	1
03-52	1046762	NEUTRALIZING BRUSH	4108-5827-01	1
03-53	1046763	SPACER	1164-5832-01	1
03-54	2030593	FUSING UNIT 220/240V	4108-0323-01	1
04-01	1046764	SHOULDERED SCREW	1164-5749-02	2
04-02	1046765	COLLAR	1164-5795-01	2
04-03	1046766	PRESSURE SPRING	1164-5739-02	2
04-04	1046767	SPACER	1164-5782-01	2
04-05	1045723	BALL BEARING	1165-5713-01	2

REF	PART NO.	DESCRIPTION	SPECIFICATION	QTY
04-06	1046768	LEVER	1164-0214-04	1
04-07	1046769	GEAR 20T	1164-5758-02	1
04-08	1046770	GEAR 20T	1164-5770-01	1
04-09	1046771	SHAFT	1164-5757-02	1
04-10	1046772	REGULATON PLATE	1164-5790-03	1
04-11	2023004	PW BOARD-R(NO IC)		1
04-12	1046773	C-RING	1164-5772-01	2
04-13	1046774	GEAR 39T	1164-5709-01	1
04-14	1045724	BUSHING	1164-5736-01	2
04-15	2030596	THERMISTOR	9372-2710-12	1
04-16	1045725	PRESSURE SPRING	1164-5733-01	5
04-17	1046775	ROLL	1164-5797-02	2
04-18	1046776	HOLDER	1164-5796-01	1
04-19	1046777	HOLDER	1164-5798-01	1
04-20	1046778	HOLDER	1164-5737-01	1
04-21	1046779	TUBE	1164-5831-01	1
04-22	1031557	ROLL		4
04-23	1046780	TUBE	1164-5830-01	2
04-24	1046781	TUBE	1164-5829-01	1
04-25	1046782	TORSION SPRING	1164-5803-02	2
04-26	1046783	SHAFT	1164-5804-03	1
04-27	2030597	THERMOSTAT	9334-1710-42	1
04-28	2030598	THERMAL FUSE	9346-3810-31	1
04-29	1046784	SUPPORT PLATE	1164-5777-01	2
04-30	1046785	GROUND PLATE	1164-5778-01	1
04-31	1046786	HOLDER	1164-5744-01	1
04-32	2031124	HARNESS	1164-6804-02	1
04-33	1045726	SEPARATOR	1164-5732-03	5
04-34	1045727	FUSING ROLLER	1164-5704-01	1
04-35	1046787	COLLAR	1164-5719-01	2
04-36	2030600	HEATER 220/240V	9352-2711-42	1
04-37	1046788	REGULATING PLATRE	1164-5789-03	1
04-38	1046789	SHAFT	1164-5750-01	1
04-39	1046790	LEVER	1164-0213-03	1
04-40	1045728	ROLLER	1164-5707-01	1
05-14	1046791	COVER	4108-0751-01	1
05-15	1046792	LOCK PLATE	1164-2014-03	1
05-16	1046793	COVER	4108-1044-01	1
05-17	1046794	TORSION SPRING	1164-2013-02	1
05-18	1046795	HOOK	1164-2011-03	1
05-19	1046796	PRESSURE SPRING	1164-3518-01	2
05-20	1046797	GROUND PLATE	1164-2071-02	1
05-21	1046798	BRACKET	1164-2067-03	1
05-22	2031125	HARNESS	1164-6816-01	1
05-23	1046799	WASHER	1200-1411-01	2
05-24	2030603	FAN MOTOR	9313-1710-51	1
05-25	1046800	CUSHION	1164-3526-01	1
05-26	1046801	SHAFT	1164-2015-01	1
05-27	1046802	JOINT	1164-2007-01	1
05-28	1046803	GEAR 14T	1164-2027-02	1
05-29	1046804	LEVER	1164-2008-01	1
05-30	1046805	LEVER	1164-2009-03	1
05-31	1046806	GEAR 14T	1164-2026-01	1
05-32	1046807	SHOULDERED SCREW	1164-2028-01	1
05-33	1046808	SHOULDERED SCREW	1164-2084-01	1
05-34	1046809	BRACKET	1164-2054-01	1
05-35	1046810	HOOK	1164-2017-04	1

# EPSON

## EPL-N2700

Page 4

REF	PART NO.	DESCRIPTION	SPECIFICATION	QTY
05-36	1046811	LOCK RELEASE LEVER	4108-2601-01	1
05-37	1046812	COVER	4108-1045-01	1
05-38	1046813	LEVER	1164-2052-02	1
05-39	1046814	COVER	4108-1048-01	1
05-45	2030595	PHOTO INTERRUPTER	9335-1510-11	1
06-01	1046815	TERMINAL	1164-4220-01	1
06-02	1046816	BRACKET	1164-3529-01	1
06-03	1046817	HOLDER ASSY	1164-0753-01	1
06-04	2031126	PW BOARD-R	1164-0109-01	1
06-05	1046818	PRESSURE SPRING	1164-4207-01	2
06-06	1046819	PLATE SPRING	1164-4222-01	2
06-07	1046820	BUSHING	1164-4206-02	2
06-08	1046821	TENSION SPRING	1164-3513-01	2
06-09	1046822	BUSHING	1164-3509-01	4
06-10	2031127	CLUTCH	9322-1710-42	1
06-11	2031128	HARNESS	1164-6806-03	1
06-12	1045729	PRESSURE SPRING	1164-4213-01	1
06-13	1045731	TORSION SPRING	1164-3527-02	1
06-14	2030595	PHOTO INTERRUPTER	9335-1510-11	1
06-15	1045730	ACTUATOR	1164-3504-03	1
06-16	1045732	TRANSFER ROLLER UNIT	1164-0335-01	1
06-17	1046823	CONVEYOR ROLLER	1164-3505-01	1
06-18	1046824	CONVEYOR ROLLER	1164-3507-01	1
06-19	1046825	POLYESTER FILM	1164-3530-01	1
06-20	1046826	GUIDE BAR	1164-3503-04	1
06-21	1046827	GROUND PLATE	1164-3514-02	1
06-22	1046828	GEAR 13T	1164-3515-01	1
06-23	1046829	GEAR 18T	1164-3508-01	1
06-24	1046830	TERMINAL	1164-4219-02	1
06-25	1046831	GROUND PLATE	1164-4209-02	2
06-26	1046832	GEAR 18T	1164-4203-02	1
06-27	2030602	TRANSFER UNIT	4108-0325-02	1
07-01	1046833	COVER	4108-2651-01	1
07-02	1046834	COVER	4108-2650-01	1
07-03	1046835	REINFORCEMENT PLATE	1164-2058-05	1
07-04	1046836	LABEL 'CAUTION'	4108-7319-01	1
07-05	2031129	FUSE 3.15A	9346-3810-71	1
07-06	2031131	FUSE 8A	9346-3610-31	1
07-07	1046837	BRACKET	4108-2164-02	1
07-08	2031133	FUSE 6.3A	4107-7802-01	1
07-09	2030606	POWER SUPPLY 220/240V	9325-2810-31	1
07-10	2030607	P/H ASSY	1164-0534-01	1
07-11	1046838	PWB SUPPORT 6.4H	9384-1621-21	2
07-12	1046839	PWB SUPPORT	9384-1610-11	1
07-13	1046840	BRACKET	4108-2656-01	1
07-14	2031135	IC	4108-6605-01	1
07-15	2031136	FUSE 3A	9346-3710-21	2
07-16	2030604	PW BOARD-A	4108-0110-03	1
07-18	1012848	GUIDE RAIL		1
07-19	1031619	GROUND PLATE		1
07-20	1046842	BRACKET	4108-2653-01	1
07-21	1031628	COVER		1
07-22	1031629	SCREW		2
7-200	2029353	BOARD ASSY.,MAIN	5524D,ASP	1
B1	2026111	BEADS INDUCTOR	0H,0.15A,	1
B2	2026111	BEADS INDUCTOR	0H,0.15A,	1
B3	2020324			1

REF	PART NO.	DESCRIPTION	SPECIFICATION	QTY
B4	2020324			1
B400	2025462	EMI FILTER		1
B401	2025462	EMI FILTER		1
B406	2025462	EMI FILTER		1
B407	2025462	EMI FILTER		1
B408	2025462	EMI FILTER		1
B409	2025462	EMI FILTER		1
B5	2020324			1
B6	2020324			1
C422	2027419	CERAMIC CAPACITOR		1
CN1	2013284	CONNECTOR 57RE-40360-830B(D7B)	36,	1
CN11	2023528	CONNECTOR	72,	1
CN12	2023528	CONNECTOR	72,	1
CN13	2023528	CONNECTOR	72,	1
CN14	2031817	CONNECTOR	72,1.27,1,1,	1
CN2	X601202505	CONNECTOR	17LE-13250-27(D57)	1
CN3	2027979	CONNECTOR		1
CN4	2029323	CONNECTOR	32,2.54MM	1
CN400	2027427	CONNECTOR 555141-1		1
CN5	2007160	CONNECTOR	36PIN	1
CN8	2026560	CONNECTOR	168,	1
CR1	2028827	QUARTZ OSCILLATOR	66.589MHZ	1
CR400	2027469	QUARTZ OSCILLATOR		1
FL10	2025479	EMI FILTER		1
FL2	2025479	EMI FILTER		1
FL3	2025479	EMI FILTER		1
FL4	2025479	EMI FILTER		1
FL400	2023680	EMI FILTER		1
FL5	2023680	EMI FILTER		1
FL6	2025479	EMI FILTER		1
FL7	2025479	EMI FILTER		1
FL8	2025479	EMI FILTER		1
FL9	2025479	EMI FILTER		1
FLS10	2008239	EMI FILTER		1
FLS11	2008239	EMI FILTER		1
FLS13	2008239	EMI FILTER		1
FLS14	2008239	EMI FILTER		1
FLS15	2008239	EMI FILTER		1
FLS2	2019866	EMI FILTER		1
FLS5	2026559	EMI FILTER		1
FLS6	2026559	EMI FILTER		1
FLS7	2026559	EMI FILTER		1
FLS8	2026559	EMI FILTER		1
FLS9	2006229	EMI FILTER		1
IC1	2002108	TTL IC		1
IC1	2019866	EMI FILTER		1
IC10	2027646	TTL IC		1
IC11	2023714	TTL IC		1
IC12	2027411	EEP-ROM X25128SI-2.7T2		1
IC13	2003700	RESET IC	8 PIN	1
IC14	2029310	GATE ARRAY	PGA,352	1
IC15	2026579	CLOCK DRIVER		1
IC16	X422350069	TTL-IC SN74LS06NS-TPL		1
IC18	2026580	REGULATOR		1
IC19	2028762	IC	SOP,16	1
IC2	X422551399	TTL-IC	DUAL.2 TO4-LINE DEC/DEM	1
IC20	2028759	SDRAM	SOP,86	1

# EPSON

## EPL-N2700

Page 6

REF	PART NO.	DESCRIPTION	SPECIFICATION	QTY
IC22	X422350149	TTL-IC	HEX SCTR.G.INV.	1
IC23	2021165	TTL IC,SN74ACT1284NS-EL		1
IC24	2021165	TTL IC,SN74ACT1284NS-EL		1
IC25	2021165	TTL IC,SN74ACT1284NS-EL		1
IC3	X422400089	TTL ICSN74ASO8NS-EL		1
IC4	2028759	SD RAM	SOP,86	1
IC401	2026974	NETWORK CONTROL DL10019C		1
IC402	2026544	SRAM		1
IC403	2026975	NET WORK TRANCEIVER		1
IC404	2026544	SRAM		1
IC405	2029346	EEPROM	DIP,8	1
IC405	X630110830	IC SOCKET	8PIN	1
IC450	X422551399	TTL-IC	DUAL.2 TO4-LINE DEC/DEM	1
IC5	2028761	IC	SOP,56	1
IC6	2028761	IC	SOP,56	1
IC7	2030253	MASK ROM	SOP,8MBIT,100N/SEC,44	1
IC8	2030254	MASK ROM	SOP,8MBIT,100N/SEC,44	1
IC9	2027938	MICRO CONTROLLER	QFP,120	1
LED401	2027416	LED PG1112H-TR		1
LED402	2028061	LED AA1112H-TR		1
Q1	2026582	TRANSISTOR	0V,0A,0W,0,0,	1
QF1	2026583	FET	0V,0A,0W,	1
T400	2026976	TRANSFORMER		1
7-201	2031323	BOARD ASSY.,MEMORY	5546B,EPL-N2700	1
7-202	2030661	BOARD ASSY.,MEMORY	5529B,NLSP BITMAP3+FONT DIMM	1
08-01	2031138	HARNESS	1164-6808-01	1
08-02	1046843	GUIDE BAR	1164-3521-04	1
08-03	1046844	SPONGE	1164-3067-01	1
08-04	1046845	POLYESTER FILM	1164-3535-01	1
08-05	1046846	RAIL	4108-2603-01	1
08-06	1046847	GROUND PLATE	1164-2157-02	1
08-07	1046848	BRACKET	1164-2079-01	1
08-08	2031139	HARNESS	1164-6807-02	1
08-09	2030608	PW BOARD-G	1164-0107-04	1
08-10	1046849	COVER	1164-3026-02	1
08-11	1046850	SHOULDERED SCREW	1164-3053-01	1
08-12	2030595	PHOTO INTERRUPTER	9335-1510-11	1
08-13	1045733	ACTUATOR	1164-3027-01	1
08-14	2030610	PWB-HV	9325-1710-13	1
08-15	1046696	LABEL 'HIGH VOLTAGE'	1129-7303-01	2
08-16	1046851	COVER ASSY	1164-0754-01	1
08-17	1046852	RAIL	1164-3051-02	1
08-18	1046693	RUBBER FOOT	0996-3055-01	1
08-19	1046694	HOLDER	4498-3392-03	1
08-20	1046853	BRACKET	4108-3081-01	1
08-21	1046854	LEVER	4108-3446-01	1
08-22	1046855	TERMINAL	1164-2155-01	1
08-23	1046856	COVER	4108-3445-01	1
09-01	1046857	GUIDE	1164-2051-01	1
09-02	1046858	TORSION SPRING	1164-2049-02	1
09-03	1046859	BRACKET	1164-2116-02	1
09-04	2030612	MICRO SWITCH	9331-2710-11	1
09-05	NOT USED			
09-06	NOT USED			
09-07	2030613	PWB-MOTOR	9314-2710-82	1
09-08	2030614	PWB-MOTOR	9314-2710-72	1
09-09	NOT USED			

REF	PART NO.	DESCRIPTION	SPECIFICATION	QTY
09-10	2013599	POWER CORD 230V		1
09-11	2030615	FAN MOTOR	9313-1710-61	1
09-12	1046862	BRACKET	4108-3084-01	1
09-13	2030618	DETECTING SWITCH	9332-1810-91	1
09-14	2031140	HARNESS	1164-6811-01	1
09-15	1046863	COVER	9384-2310-41	1
09-16	1046864	BRACKET	1164-2165-02	1
09-17	1046694	HOLDER	4498-3392-03	2
09-18	1046865	BRACKET	1164-2123-01	1
09-19	2031141	FERRITE CORE	9326-1510-41	1
09-20	2031142	HARNESS	4108-6801-03	1
09-21	1046866	BUSHING	1200-3231-05	2
09-22	1046867	BRACKET	1164-2535-02	1
09-23	2031144	HARNESS	4108-6806-02	1
09-24	1046868	GEAR 49T	4108-2547-01	1
09-25	1046869	COVER	1149-3444-01	1
09-26	1046870	BRACKET	1164-3024-03	1
09-27	1045734	LEVER	1164-3023-01	1
09-28	2030595	PHOTO INTERRUPTER	9335-1510-11	1
09-29	2031145	HARNESS	1164-6809-01	1
09-30	2030617	DRIVE UNIT	1164-0160-05	1
09-31	1046871	LABEL	1164-7323-01	1
09-32	1046872	GEAR 20T	1164-2517-01	1
09-33	1046873	GEAR 18T	1164-2513-01	1
09-34	1046874	SHAFT	1164-2530-01	1
09-35	1046875	SHAFT	1164-2527-01	1
09-36	1046876	BRACKET	1164-2041-02	1
09-37	2031146	HARNESS	1164-6814-01	1
09-38	1046877	COVER	4108-1042-01	1
10-01	1046878	STOPPER RING	1164-3065-01	2
10-02	1046879	SHAFT	1164-3002-03	1
10-03	1046880	PRESSURE SPRING	1164-3047-02	2
10-04	1045736	SEPARATOR	1164-0755-01	1
10-05	1046881	PRESSURE SPRING	1164-3008-03	1
10-06	1046882	POLYESTER FILM	1164-3046-01	1
10-07	1046883	BUSHING	1164-3003-01	2
10-08	1046884	PRESSURE SPRING	1164-3005-02	1
10-10	1046886	JOINT	1164-3004-02	1
10-11	1046887	LOCK LEVER	4108-3090-01	1
10-12	1046888	FRICTION SHEET	1164-3064-01	1
10-13	1046889	REGULATING PLATE	4108-3087-01	1
10-14	1046890	LABEL "MAX LEVEL"	1164-7343-02	1
10-15	1046891	REGULATING PLATE	4108-3088-02	1
10-16	1046892	LIFTING PLATE	4108-3086-01	1
10-17	1046894	WIDTH SCALE	4108-7350-01	1
10-18	1046895	RACK GEAR	1164-3049-02	2
10-19	NOT USED			
10-20	1046897	GEAR 20T	1164-3045-01	1
10-21	NOT USED			
10-22	1045737	REGULATING PLATE	4108-3089-01	1
10-23	1046900	LENGTH SCALE	4108-7351-01	1
10-24	1046901	LABEL PAPER LOADING	4108-7356-01	1
10-25	1046902	CASSETTE BODY	4108-3085-02	1
10-26	1046903	HANDLE	4108-3091-01	1
10-27	1046904	COVER	4108-3092-01	1
10-28	1046905	POLYESTER FILM	1164-3056-01	1
10-29	1046906	PRESSURE SPRING	1164-3062-01	1

# EPSON

## EPL-N2700

Page 8

REF	PART NO.	DESCRIPTION	SPECIFICATION	QTY
10-30	1046907	LOCK LEVER	1164-3061-01	1
10-31	1045738	ROLL	1164-3001-01	1
10-32	1046908	WEIGHT	1164-3063-04	1
10-33	1046909	WASHER	1164-3066-01	1
10-34	1046910	WAVE WASHER	1500-2660-13	2
10-35	1027447	WASHER		1
10-36	1046911	LABEL 'PAPER SIZE'	4108-7357-01	1
11-01	1046917	GUIDE	4498-0754-01	1
11-02	1046918	BRACKET	4498-3313-02	2
11-03	1046919	PLATE SPRING	4498-3382-02	2
11-04	1046920	RUBBER FOOT	4498-3436-01	1
11-05	1046921	FRAME	4498-3481-03	1
11-06	1046922	COVER	4498-3444-01	1
11-07	1046923	GROUND PLATE	4498-3381-01	1
11-08	1046924	BRACKET	4498-3312-02	1
11-09	2031148	HARNESS	4498-6803-02	1
11-10	1046925	BRACKET	4498-3374-01	1
11-11	2030620	PW BOARD-A	4498-0101-13	1
11-12	1046926	PWB SUPPORT 6.35H	9384-1900-56	1
11-13	2031149	HARNESS	4498-6804-02	1
11-14	1046927	BRACKET	4498-3376-01	1
11-15	1046928	SHOULDERED SCREW	4498-3408-01	2
11-16	1046929	RUBBER FOOT	4498-3409-01	1
11-17	1046930	HOLDER	4498-3490-03	1
11-18	1046931	SPRING	4498-3491-01	1
11-19	1046932	BRACKET	4498-3485-01	1
11-20	1046933	BRACKET	4498-3483-01	1
11-21	1046934	SHOULDERED SCREW	4498-3487-01	2
11-22	2030624	SWITCH	9332-1810-81	1
11-23	2031150	HARNESS	4498-6805-01	1
11-24	1046935	COVER	4498-3486-01	1
11-25	1046936	RUBBER FOOT	4498-3402-01	2
11-26	1046937	BRACKET	4498-0219-01	1
11-27	1046938	BRACKET	4498-3393-01	1
11-28	1046939	RAIL	4498-0218-01	1
11-29	1046940	PLATE SPRING	4498-3384-02	1
11-30	1046941	BRACKET	4498-3488-01	1
11-31	1046694	HOLDER	4498-3392-03	4
12-01	1046942	GUIDE PLATE	4498-3353-03	1
12-02	1046943	HOLDER	4498-3411-01	2
12-03	1046944	POLYESTER FILM	4498-3410-01	2
12-04	1046945	ROLLER	4498-3336-02	2
12-05	1045743	ROLLER	4498-3479-01	2
12-06	1046946	SHAFT	4498-3335-02	1
12-07	1046947	AXLE PLATE	4498-3333-02	1
12-08	1046948	ROLLER	4498-3351-01	1
12-09	1046949	BUSHING	4498-3405-01	1
12-10	1046950	GEAR 30/60T	4498-3349-02	1
12-11	1046951	GEAR 31T	4498-3340-01	1
12-12	1046952	TENSION SPRING	4498-3341-01	1
12-13	2030595	PHOTO INTERRUPTER	9335-1510-11	4
12-14	1046953	BRACKET	4498-3309-03	1
12-15	2023012	SOLENOID		1
12-16	1046954	BRACKET	4498-3342-01	1
12-17	1046713	STOPPER	4470-4024-01	4
12-18	1046955	GEAR 16/20T	4498-3350-01	1
12-19	1046956	GEAR 20T	4498-3314-01	2



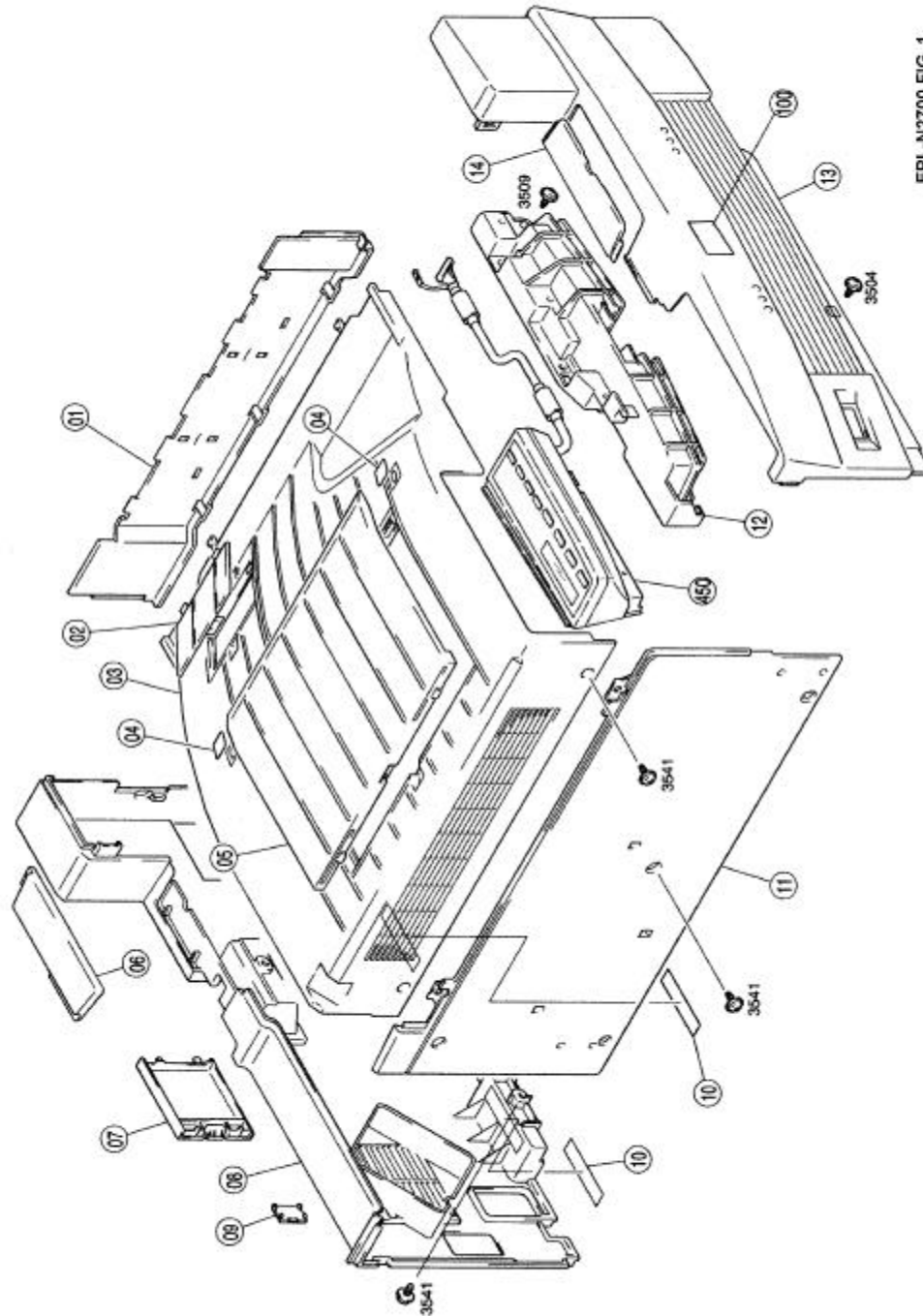
REF	PART NO.	DESCRIPTION	SPECIFICATION	QTY
12-20	1046957	GEAR 18T	4498-3352-01	1
12-21	1046958	BUSHING	4498-3406-01	2
12-22	1046959	GEAR 34T	4498-3315-01	2
12-23	2031152	HARNESS	4498-3806-01	1
12-24	1046960	HOLDER	4498-3383-02	1
12-25	1046961	BRACKET	4498-3373-01	1
12-26	1045744	LEVER	4498-3371-02	1
12-27	1046962	AXLE PLATE	4498-0210-02	1
12-28	1046963	SPACER	4498-3346-01	2
12-29	1045745	TORSION SPRING	4498-3372-02	1
12-30	1046964	BRACKET	4498-3328-01	1
12-31	1045746	TORSION SPRING	4498-3389-01	1
12-32	2030626	ACTUATOR	4498-3327-03	1
12-33	1046965	BRACKET	4498-3337-02	1
12-34	1046966	COLLER	4498-3388-01	1
12-35	1046967	BRACKET	4498-3330-02	1
12-36	1046968	SHAFT	4498-3334-01	1
12-37	2030627	ACTUATOR	4498-3329-02	1
12-38	1045747	TORSION SPRING	4498-3331-01	1
12-39	1046969	GUIDE PLATE	4498-3339-03	1
12-40	1046970	GUIDE	4498-3438-01	2
13-01	1046973	CORK	4498-3321-01	2
13-02	1046974	LABEL MAX LEVEL	4498-7434-01	1
13-03	1046975	COLLAR	1159-3014-01	4
13-04	1046976	GUIDE PLATE	4498-3344-03	1
13-05	1046977	HOLD PLATE	4498-3345-04	2
13-06	1046978	REGULATING PLATE	4498-3319-02	1
13-07	1046979	LIFTING PLATE	4498-3320-03	1
13-08	1046980	POLYESTER FILM	4498-3401-02	1
13-09	1046981	PLATE SPRING	4498-3385-01	1
13-10	1046982	REGULATING PLATE	4498-3357-01	1
13-11	1046983	CASSETTE BODY	4498-0756-01	1
13-12	1046984	LEVER	4498-3325-01	1
13-13	1046985	TENSION SPRING	4498-3404-01	1
13-14	1046986	REINFORCEMENT PLATE	4498-3412-01	1
13-15	1046987	HANDLE	4498-3442-01	1
13-16	1046988	GUIDE PLATE	4498-3343-02	1
13-17	1046989	REGULATING PLATE	4498-3318-02	1
13-18	1046990	PRESS SPRING GOLD	4498-3324-02	2
13-19	1046991	LABEL CASSETTE	4498-7431-01	1
13-20	1046992	SCREW	4498-3435-01	4
13-21	1046993	LABEL PAPER SIZE	4498-7432-01	1
13-22	1046994	HOLDER	4498-3489-01	1
14-01	1046912	WIRING SADDLE 21.5H	9384-1110-61	2
14-01	1046913	WIRING SADDLE 19.2H	9348-1211-01	8
14-01	1046914	WIRING SADDLE 5.2H	9384-1310-11	5
14-02	1031831	WIRING SADDLE 6.4H		7
14-03	1046915	WIRING SADDLE 27H	9384-1311-01	6
14-05	1015333	EDGE COVER 8.5H		5
14-06	1046916	EDGE COVER 15.4H	9384-2010-31	2
14-07	1031738	EDGE COVER 26H		2
0510	1046098	PIN	9752-3014-50	1
1208	1046114	SCREW	9644-0306-13	1
1308	1004686	SCREW		1
1308	1028751	SCREW		1
1309	1046117	SCREW	9646-0310-13	1
1315	1004670	SCREW		1

# EPSON

## EPL-N2700

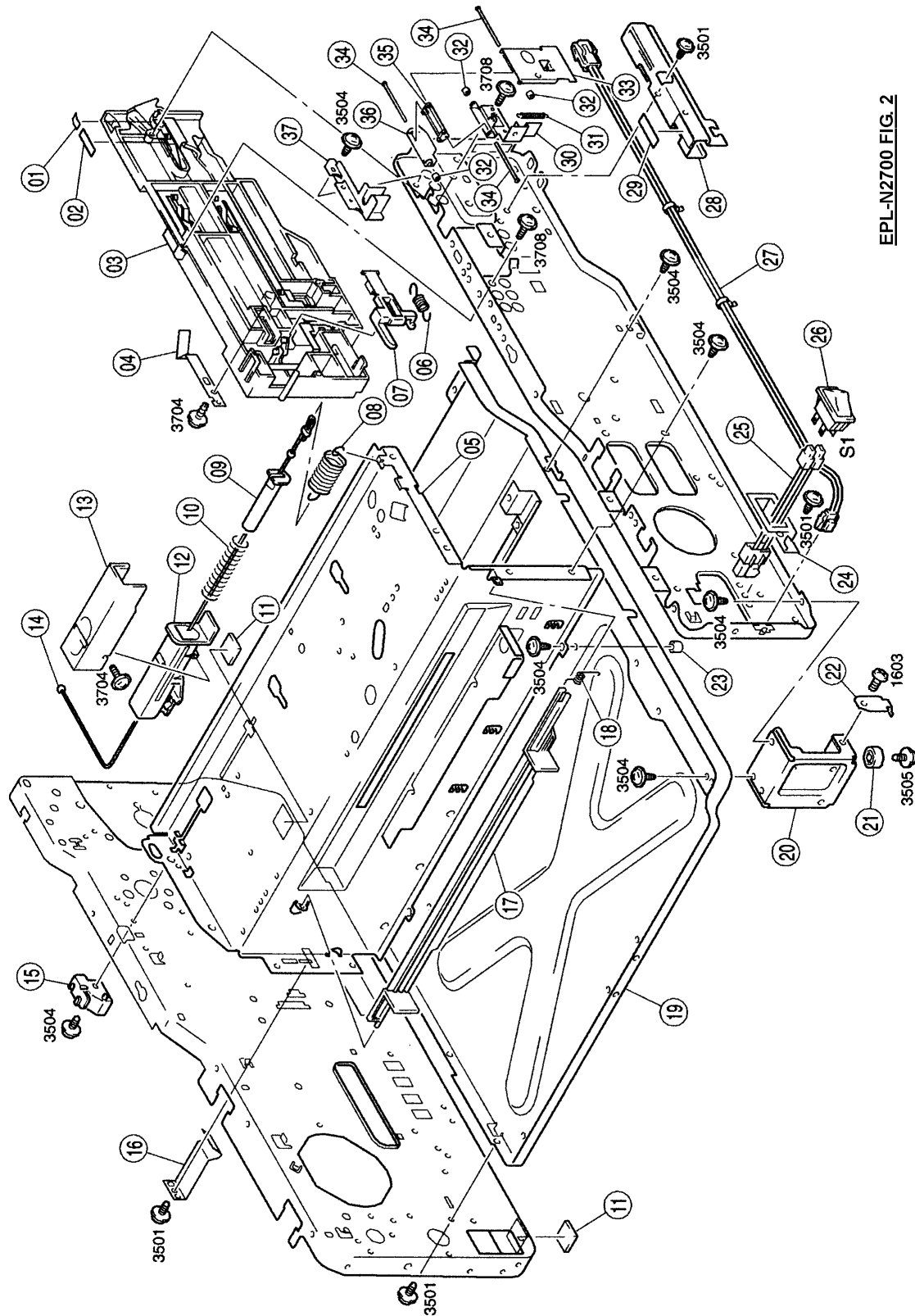
Page 10

REF	PART NO.	DESCRIPTION	SPECIFICATION	QTY
1421	1046121	SCREW	9648-0308-13	2
1603	1046122	SCREW	9654-0306-01	7
2101	1004709	SCREW		2
2703	1046123	SCREW	9654-0406-14	2
3211	1046136	TAPPING SCREW	9657-0314-07	1
3305	1012121	TAPPING SCREW		1
3305	1046137	TAPPING SCREW	9732-0408-13	1
3435	1031631	TAPPING SCREW		1
3501	1012113	TAPPING SCREW		29
3504	1004720	TAPPING SCREW		11
3505	1028229	TAPPING SCREW		1
3506	1004721	TAPPING SCREW		1
3509	1046140	TAPPING SCREW	9735-0410-13	1
3520	1046138	TAPPING SCREW	9735-0314-13	1
3541	1012096	TAPPING SCREW		4
3702	1015398	TAPPING SCREW		4
3703	1046143	TAPPING SCREW	9739-0412-13	1
3704	1015399	TAPPING SCREW		33
3705	1015400	TAPPING SCREW		1
3708	1012077	TAPPING SCREW		8
3709	1031830	TAPPING SCREW		1
3727	1046142	TAPPING SCREW	9739-0308-14	1
3907	1015402	TAPPING SCREW		1
3923	1040800	TAPPING SCREW		2
4011	1028753	TAPPING SCREW		2
4012	1015403	TAPPING SCREW		1
4021	1004736	TAPPING SCREW		1
4026	1046995	TAPPING SCREW	9732-0312-13	1
8501	1046152	WASHER	9716-0300-01	6
9102	1031603	RETAINING RING		1
9105	1004745	RETAINING RING		1
9107	1004746	RETAINING RING		5
9112	1004747	RETAINING RING		2
9140	1046109	RETAINING RING	9721-0500-13	5
9301	1046100	RETAINING RING	1066-1151-01	7
9302	1046101	RETAINING RING	4425-3001-01	6
9303	1046102	RETAINING RING	4425-3002-01	1
N/A	3002561	CD-ROM GUIDANCE		1
N/A	3002588	UTILITY CD-ROM		1
END				

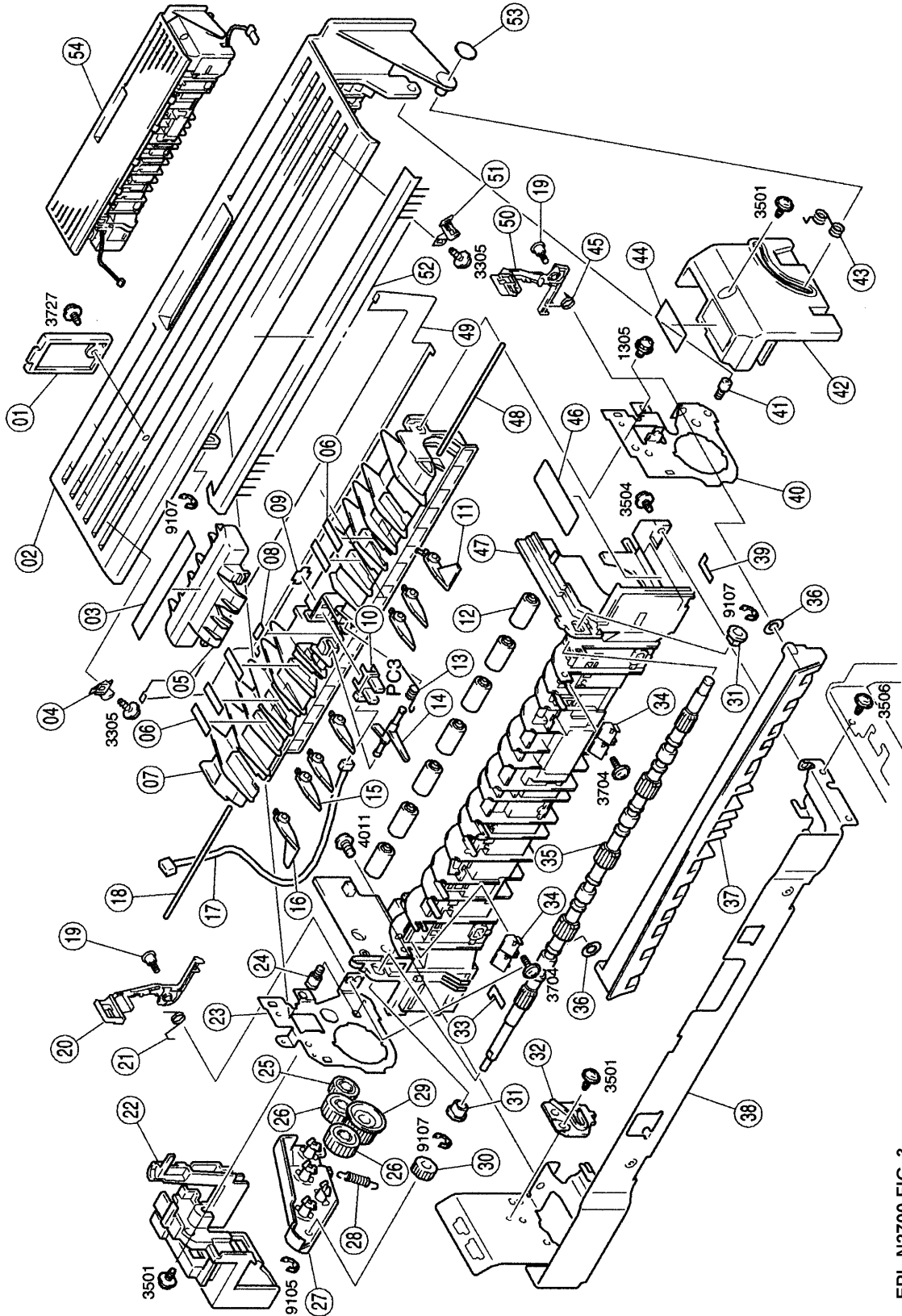


# EPSON EPL-N2700

Page 12



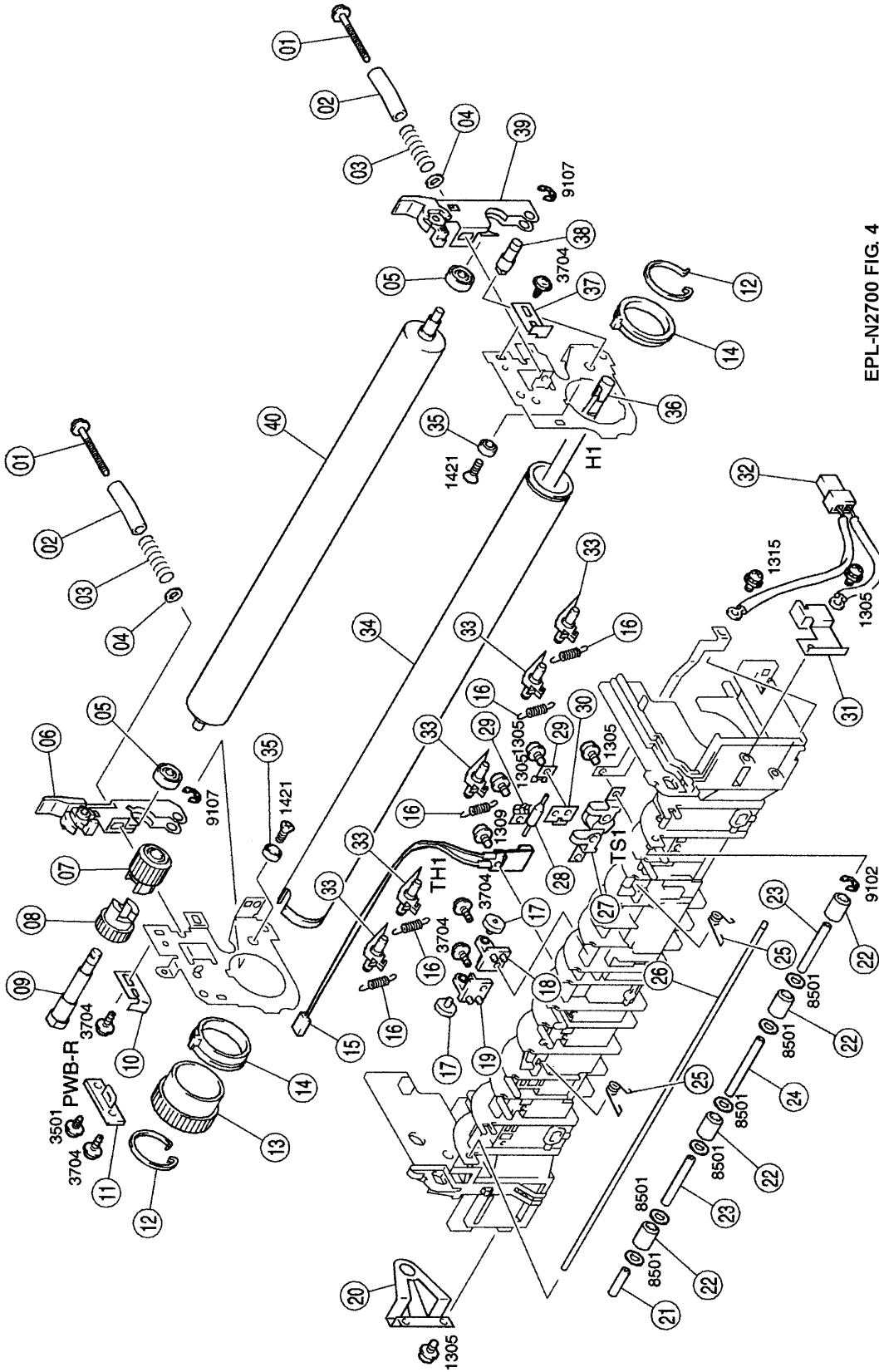
EPL-N2700 FIG. 2



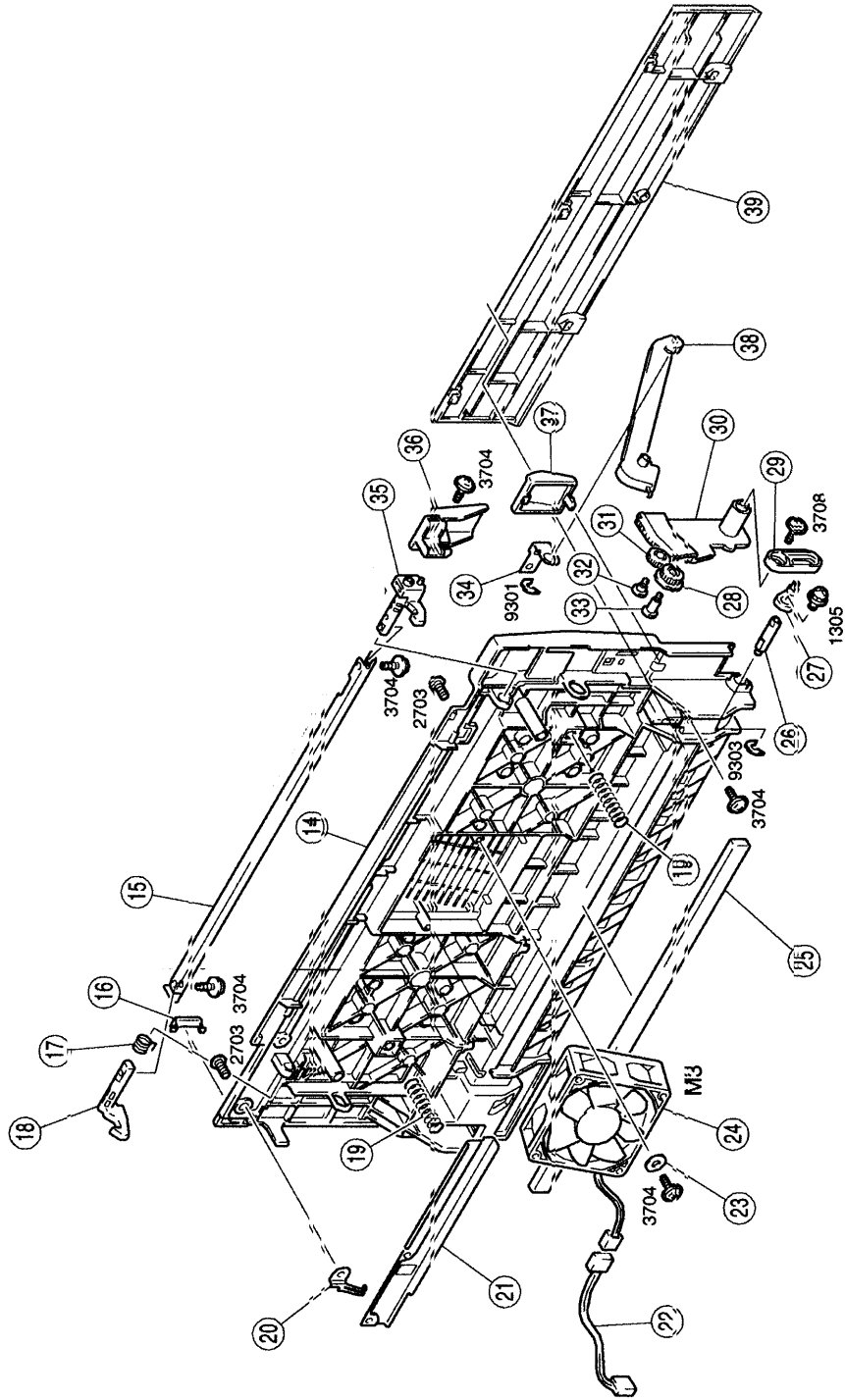
EPL-N2700 FIG. 3

# EPSON EPL-N2700

Page 14



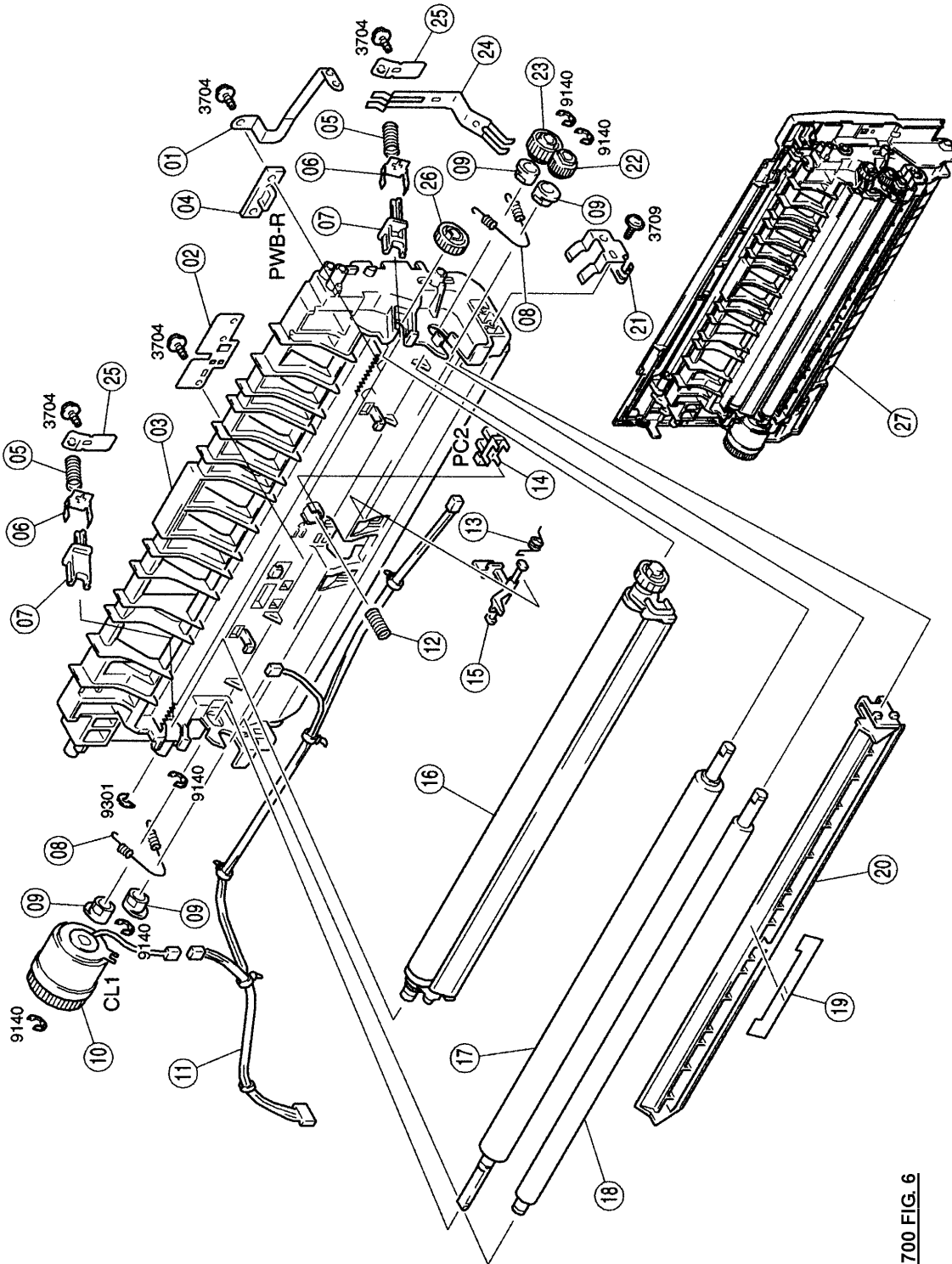
EPL-N2700 FIG. 4



EPL-N2700 FIG. 5

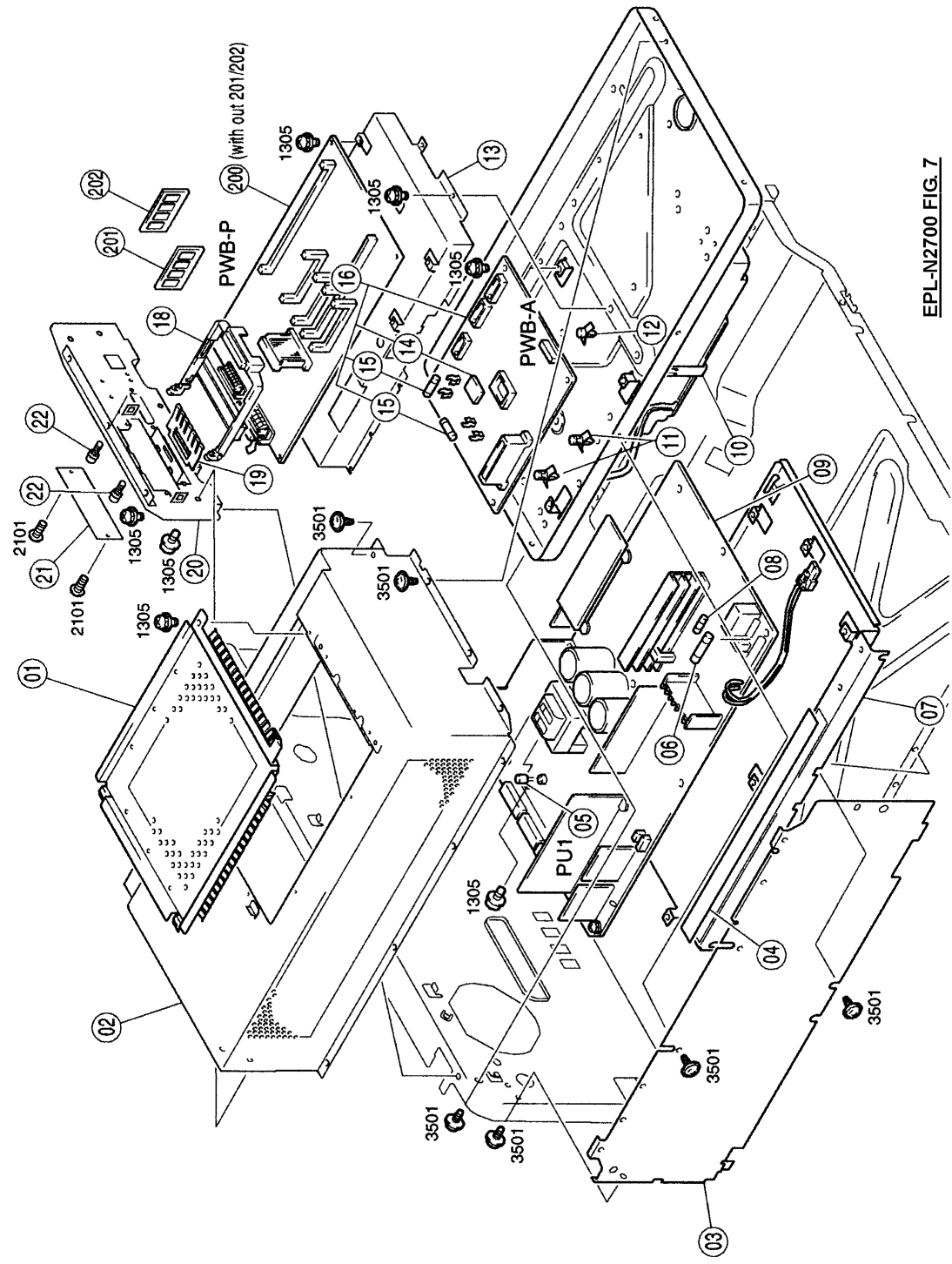
# EPSON EPL-N2700

Page 16



EPL-N2700 FIG. 6

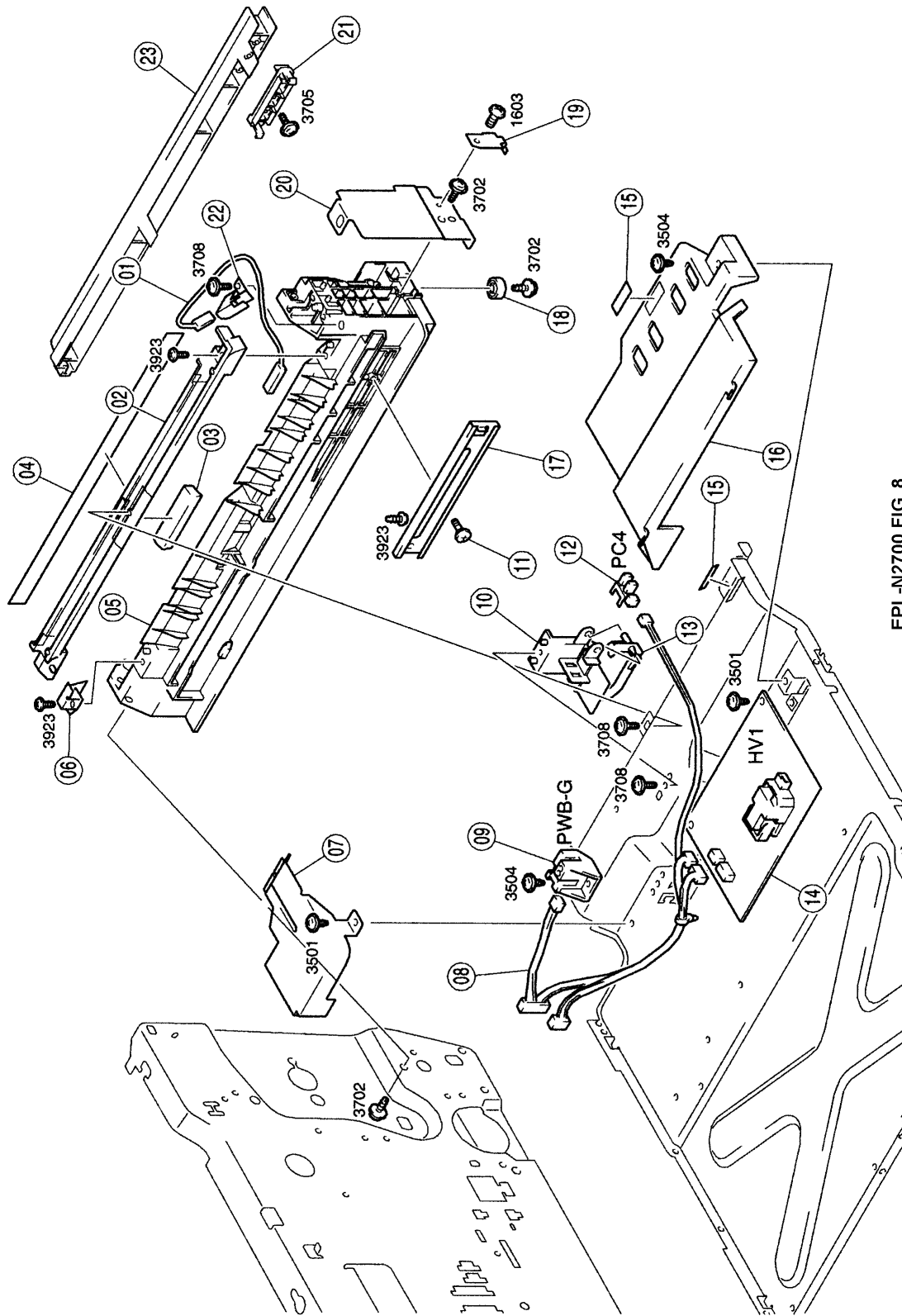




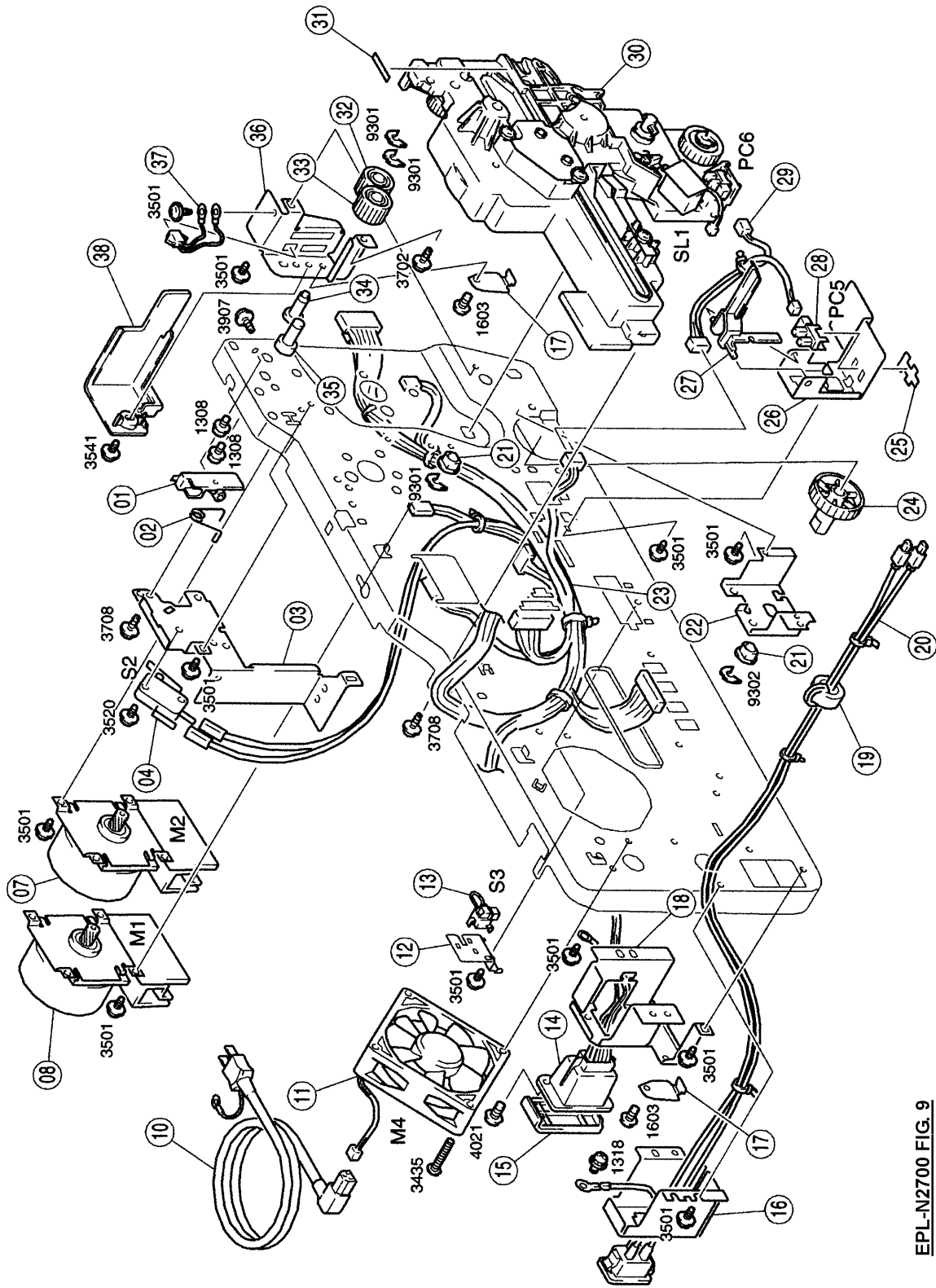
EPL-N2700 FIG. 7

# EPSON EPL-N2700

Page 18



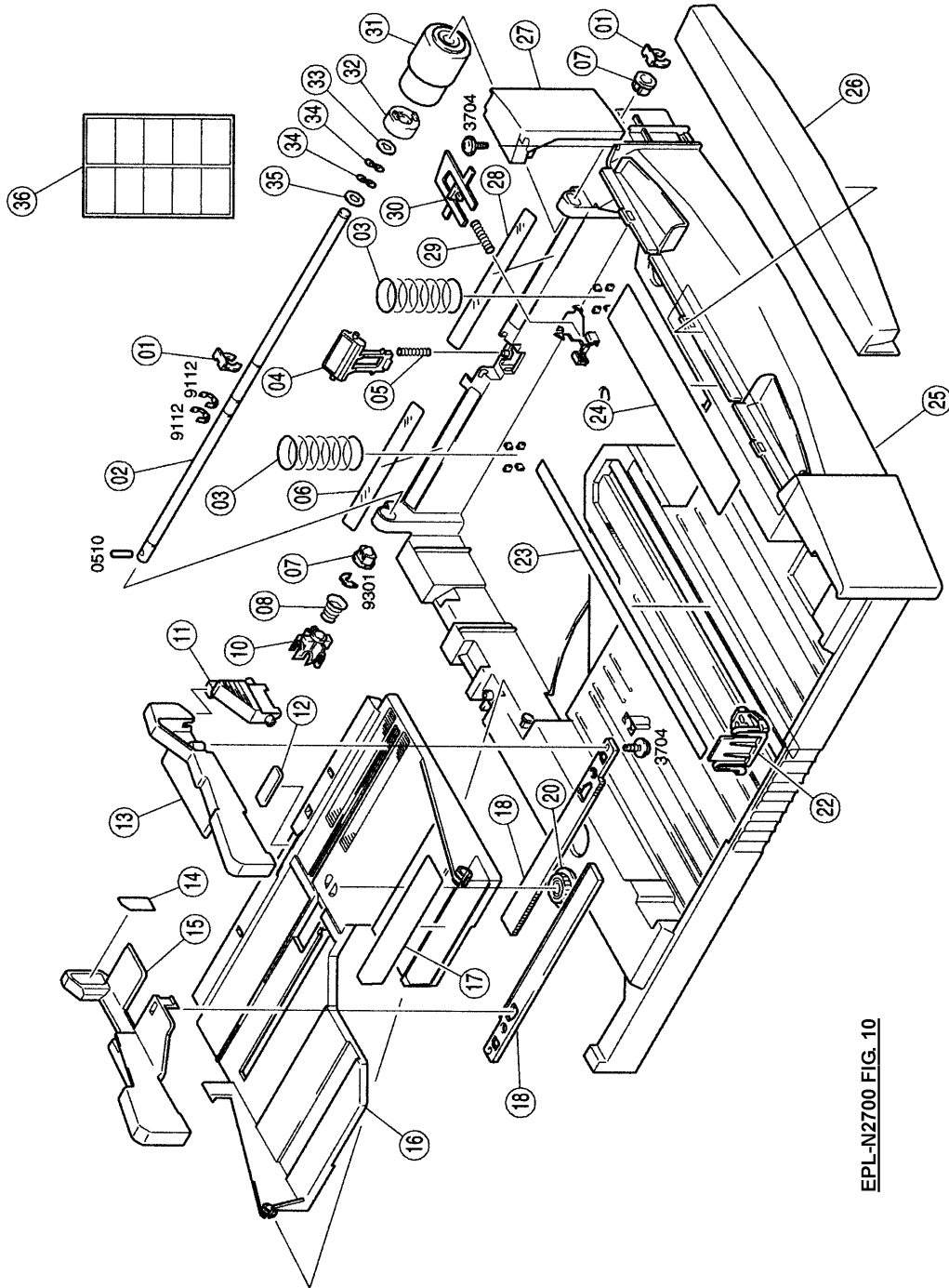
EPL-N2700 FIG. 8



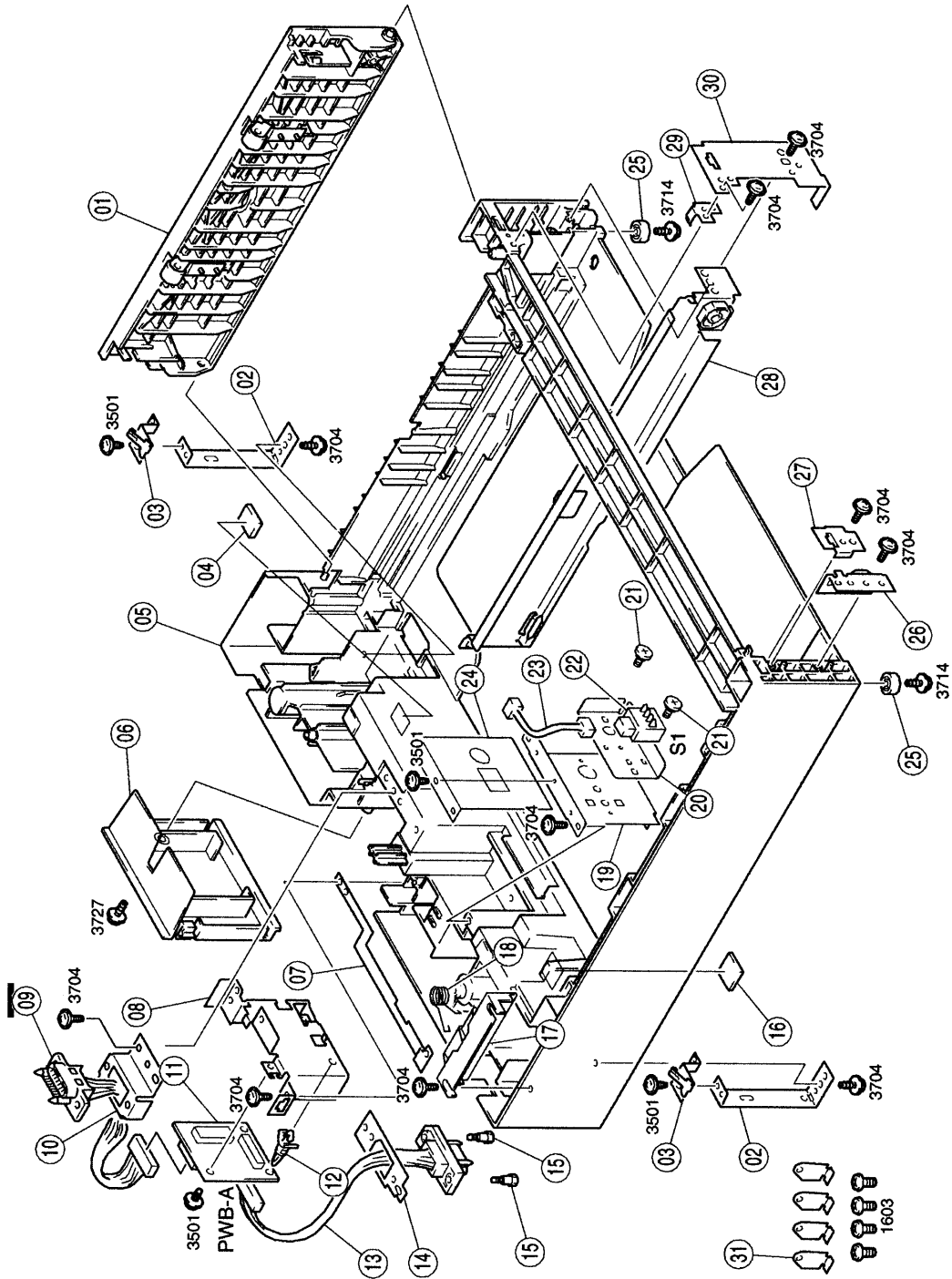
EPL-N2700 FIG. 9

# EPSON EPL-N2700

Page 20



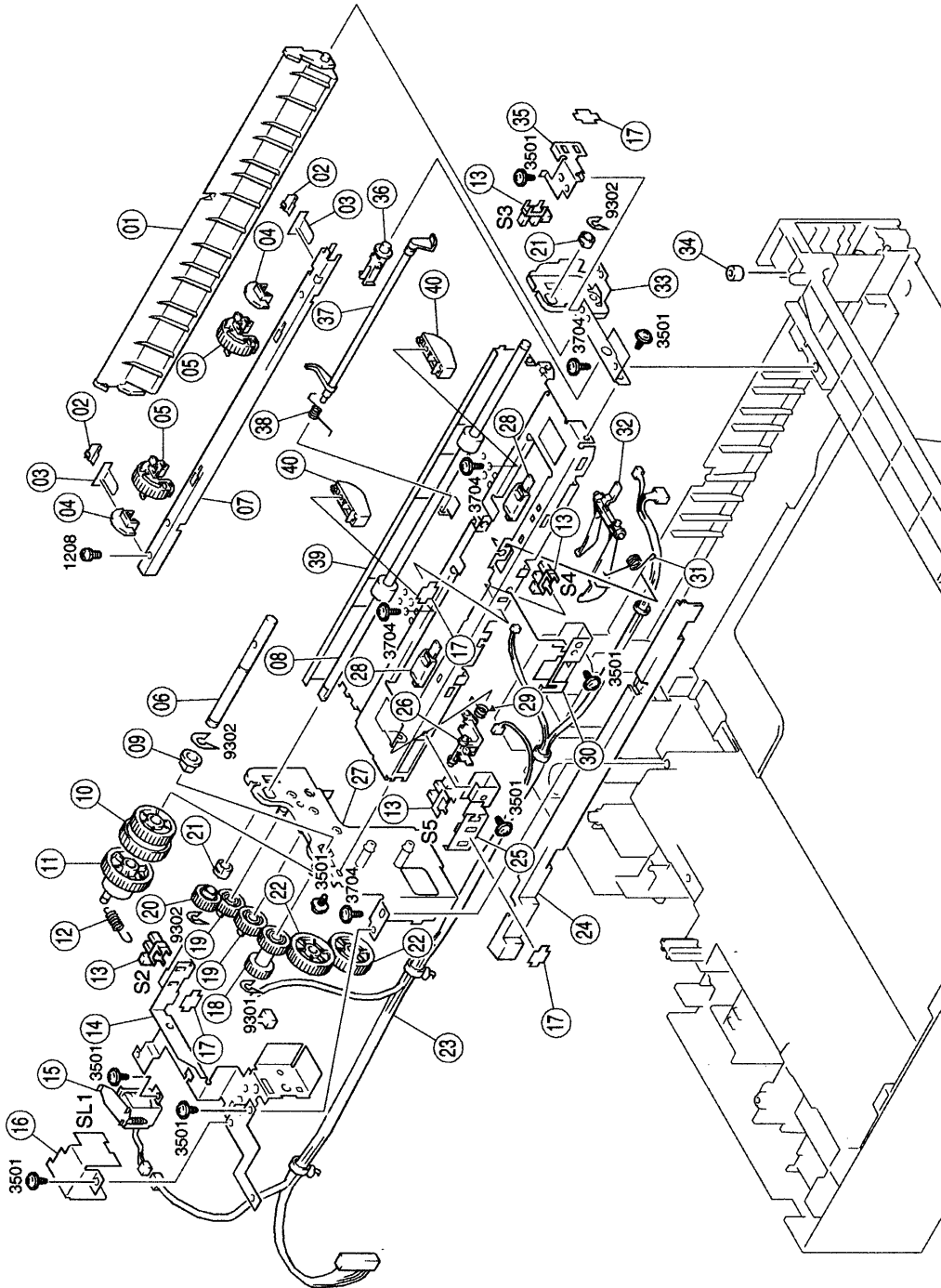
EPL-N2700 FIG. 10



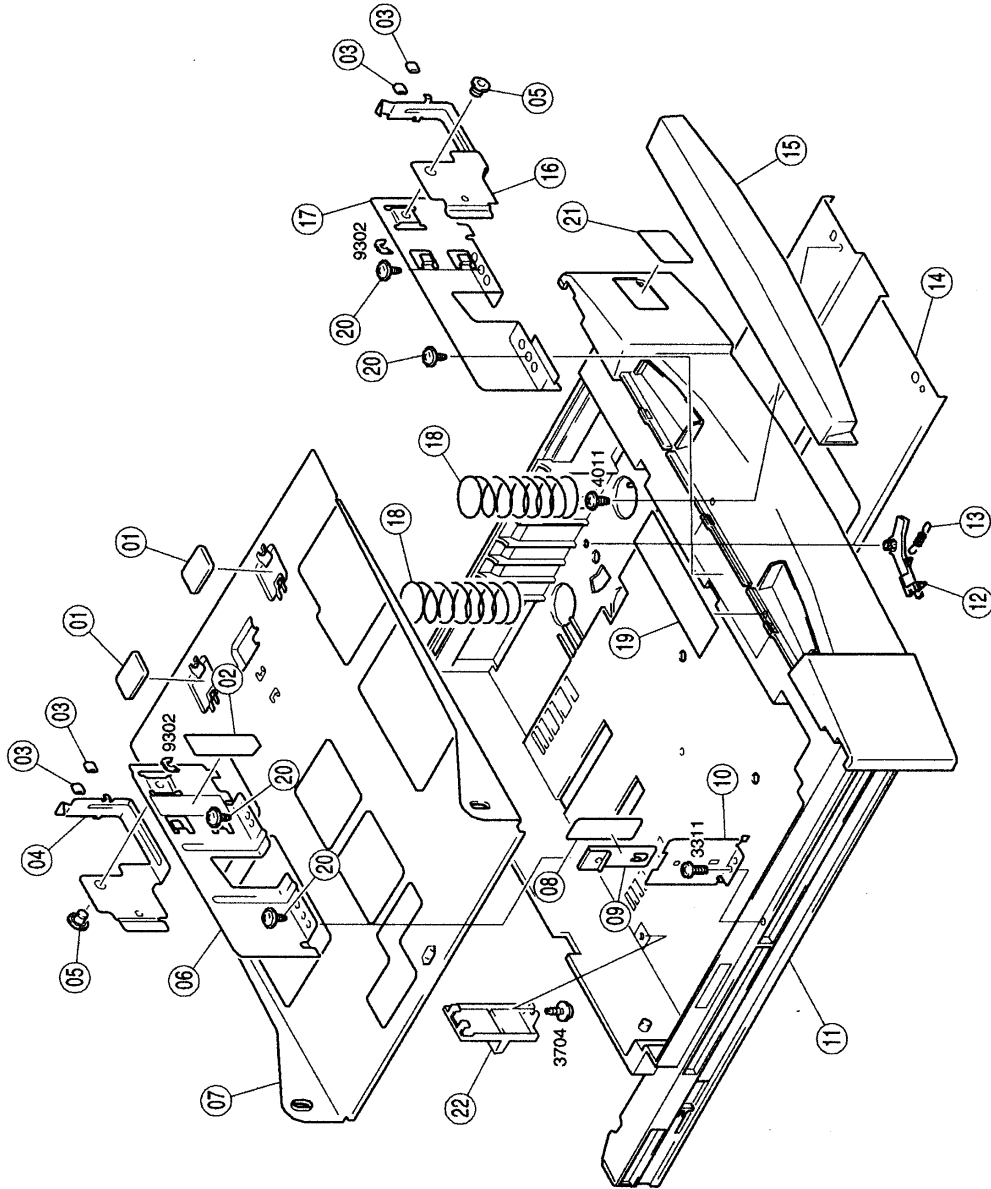
EPL-N2700 FIG.11

# EPSON EPL-N2700

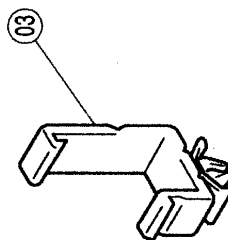
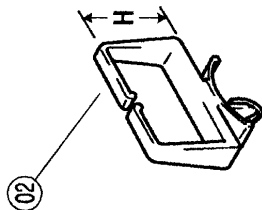
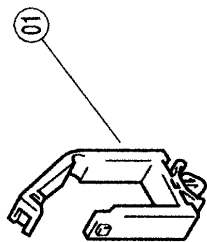
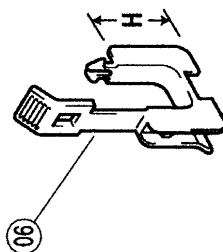
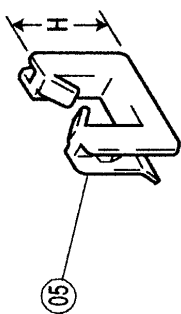
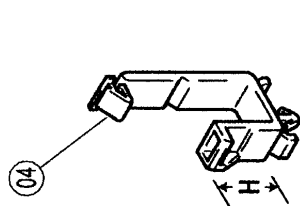
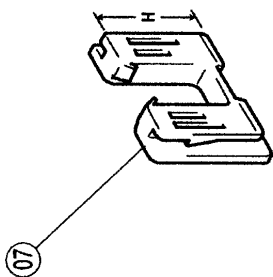
Page 22



EPL-N2700 FIG. 12

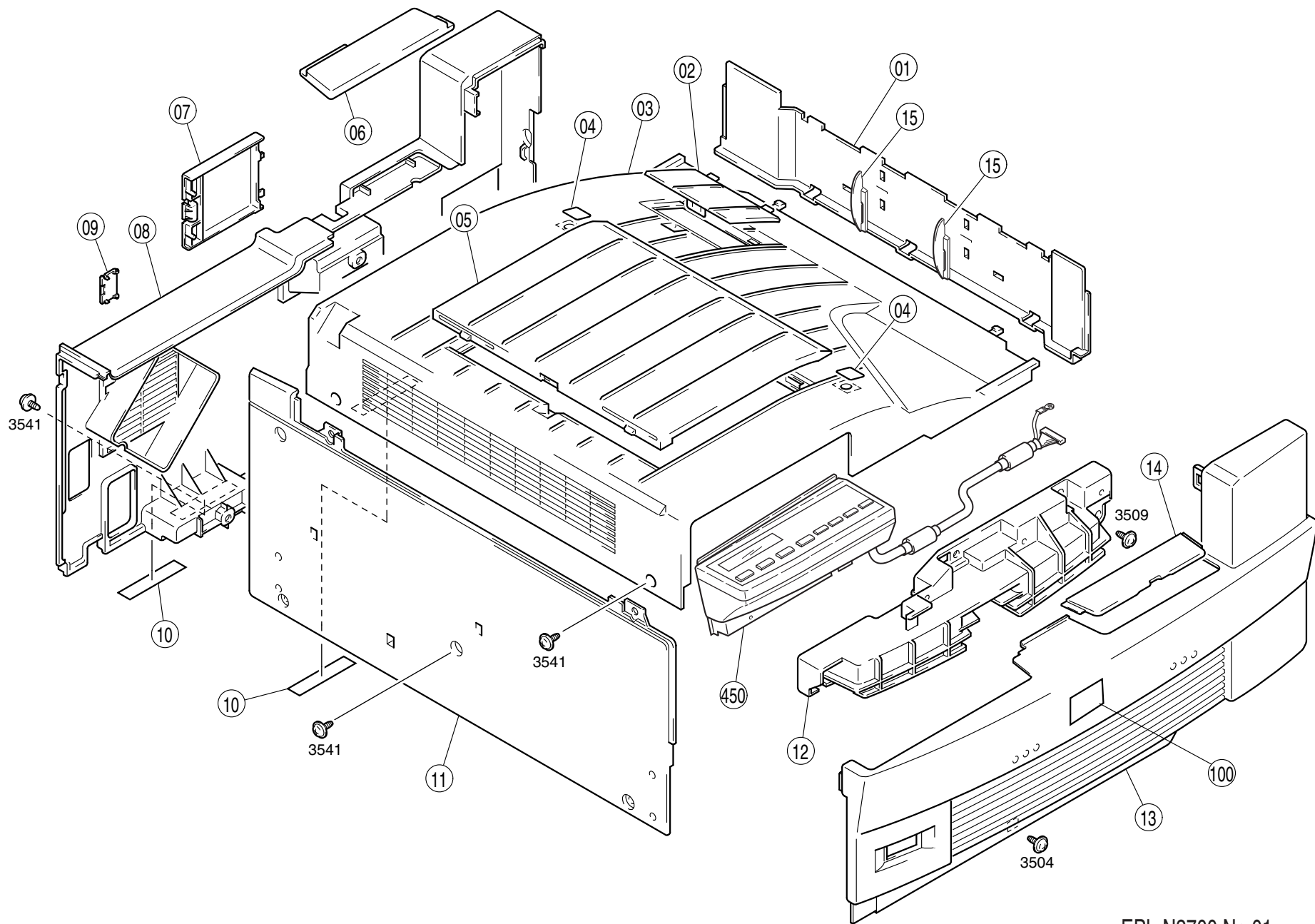


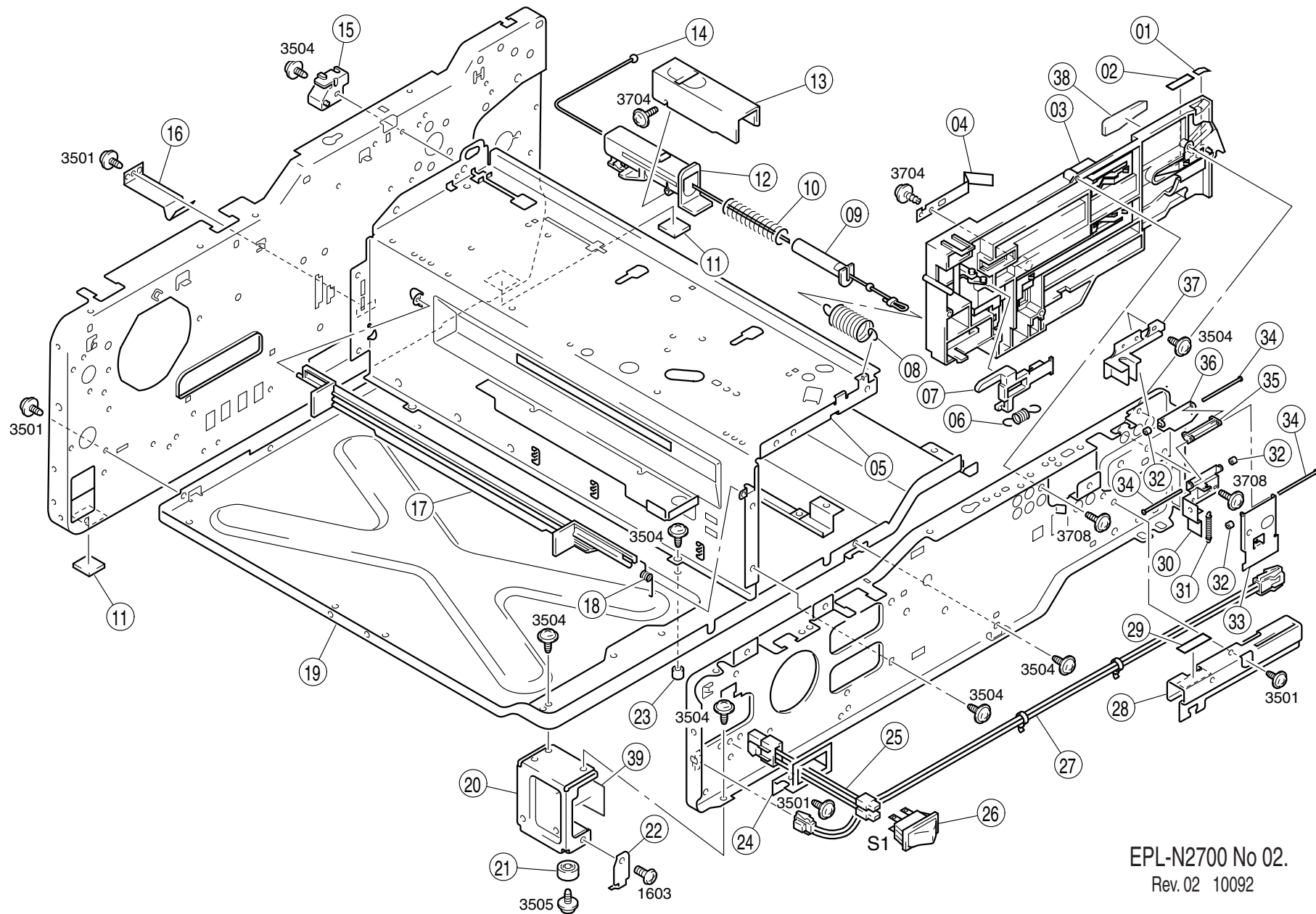
EPL-N2700 FIG. 13



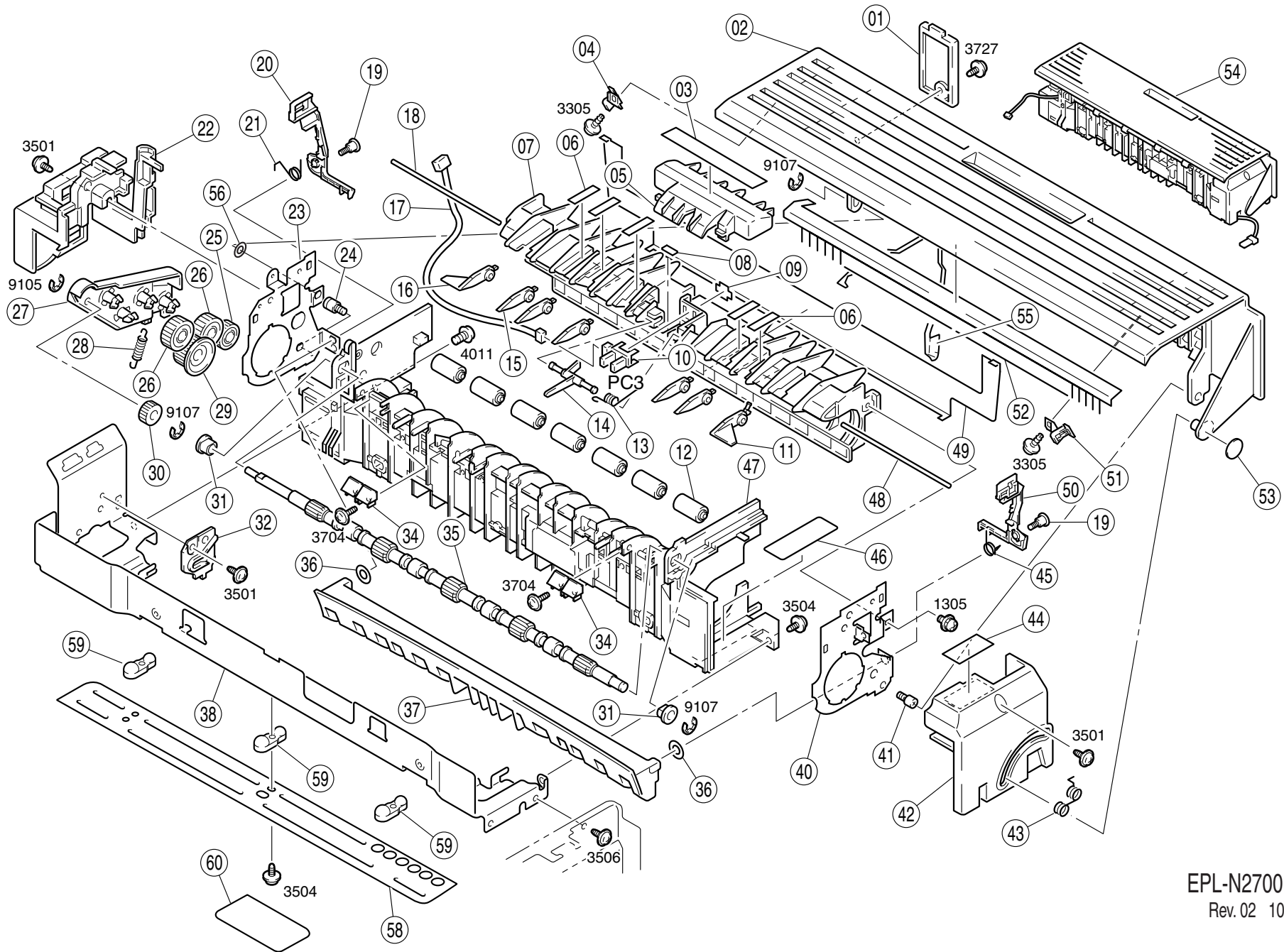
EPL-N2700 FIG. 14

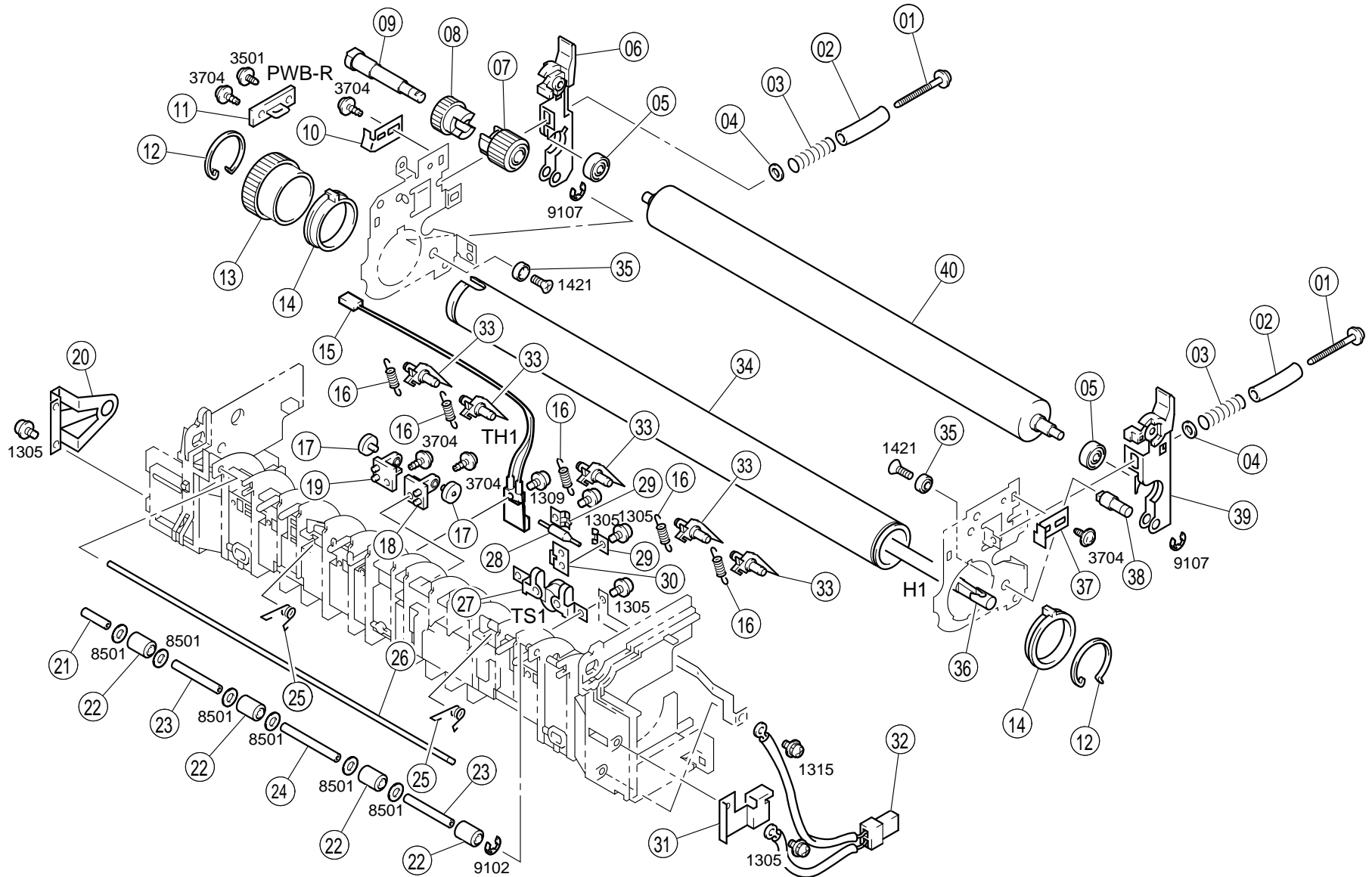


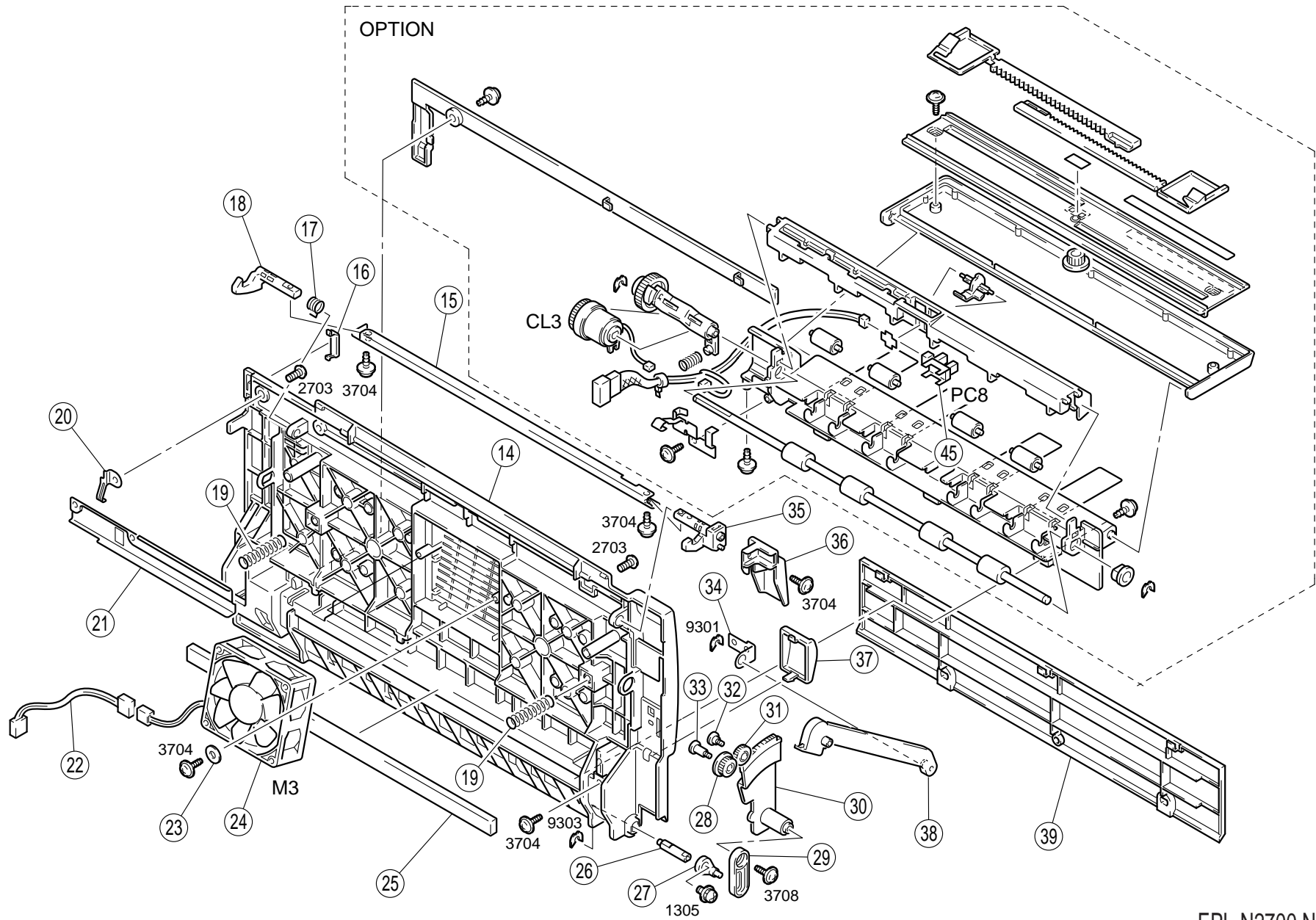


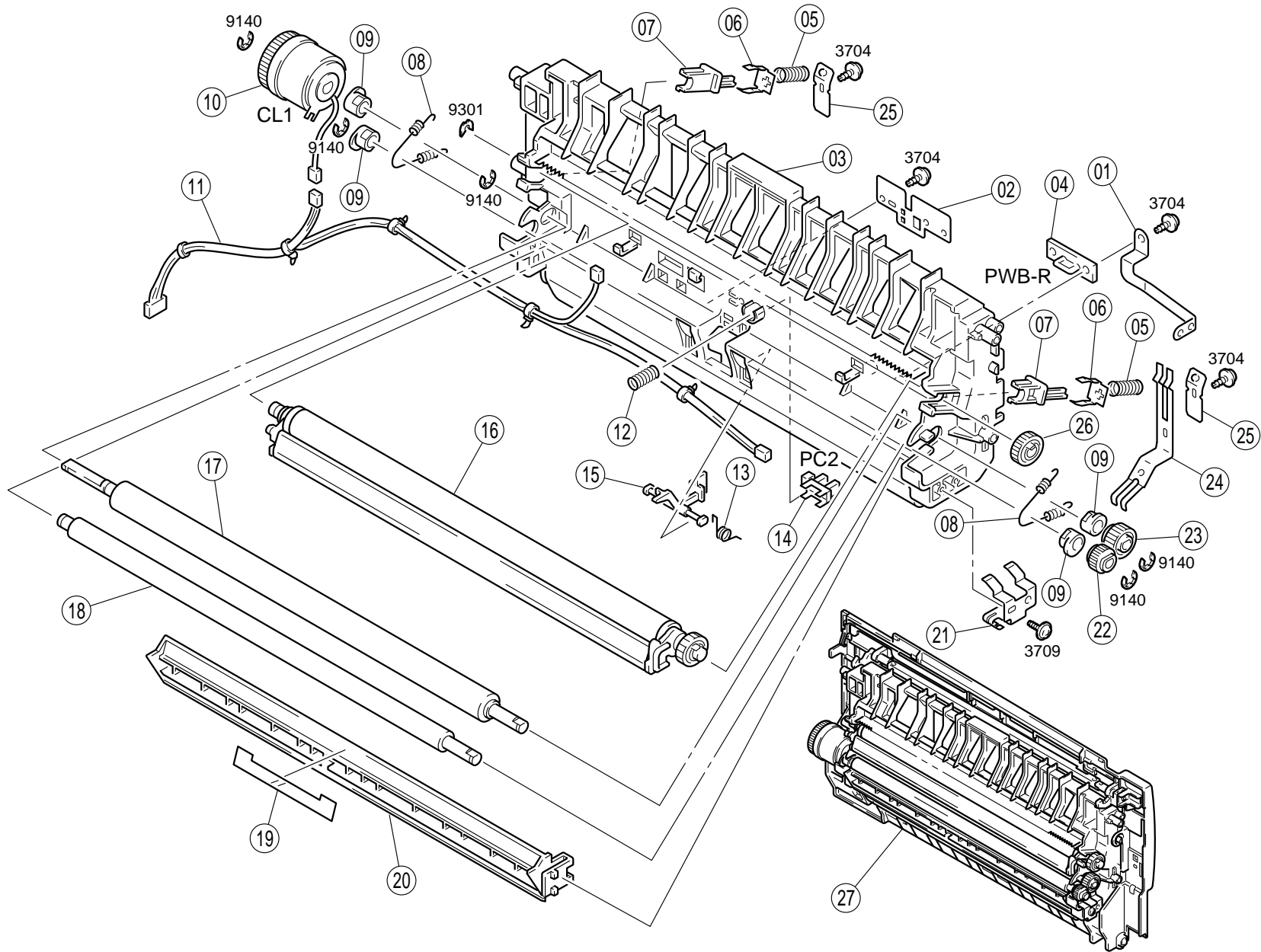


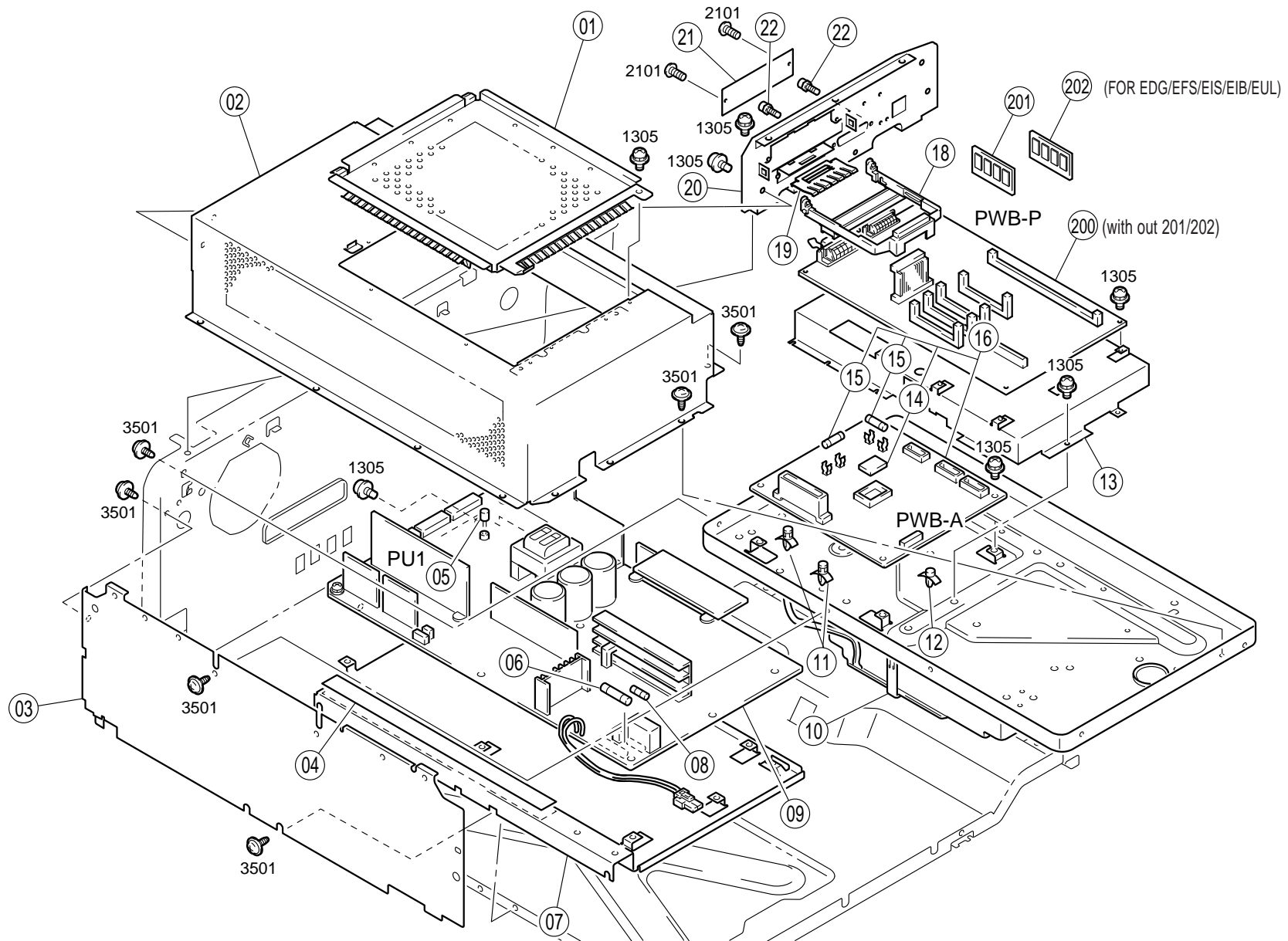
EPL-N2700 No 02.  
 Rev.02 10092

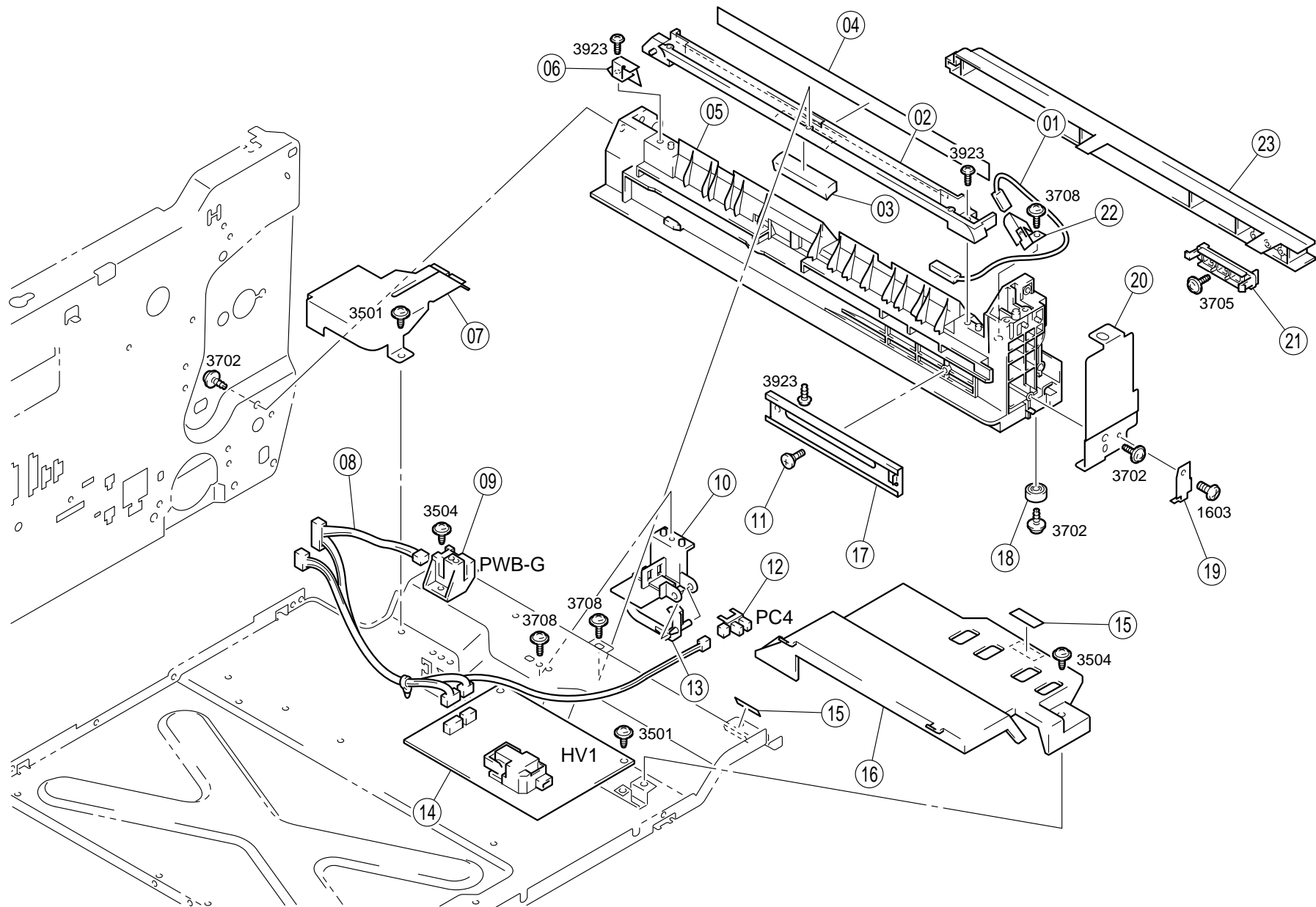




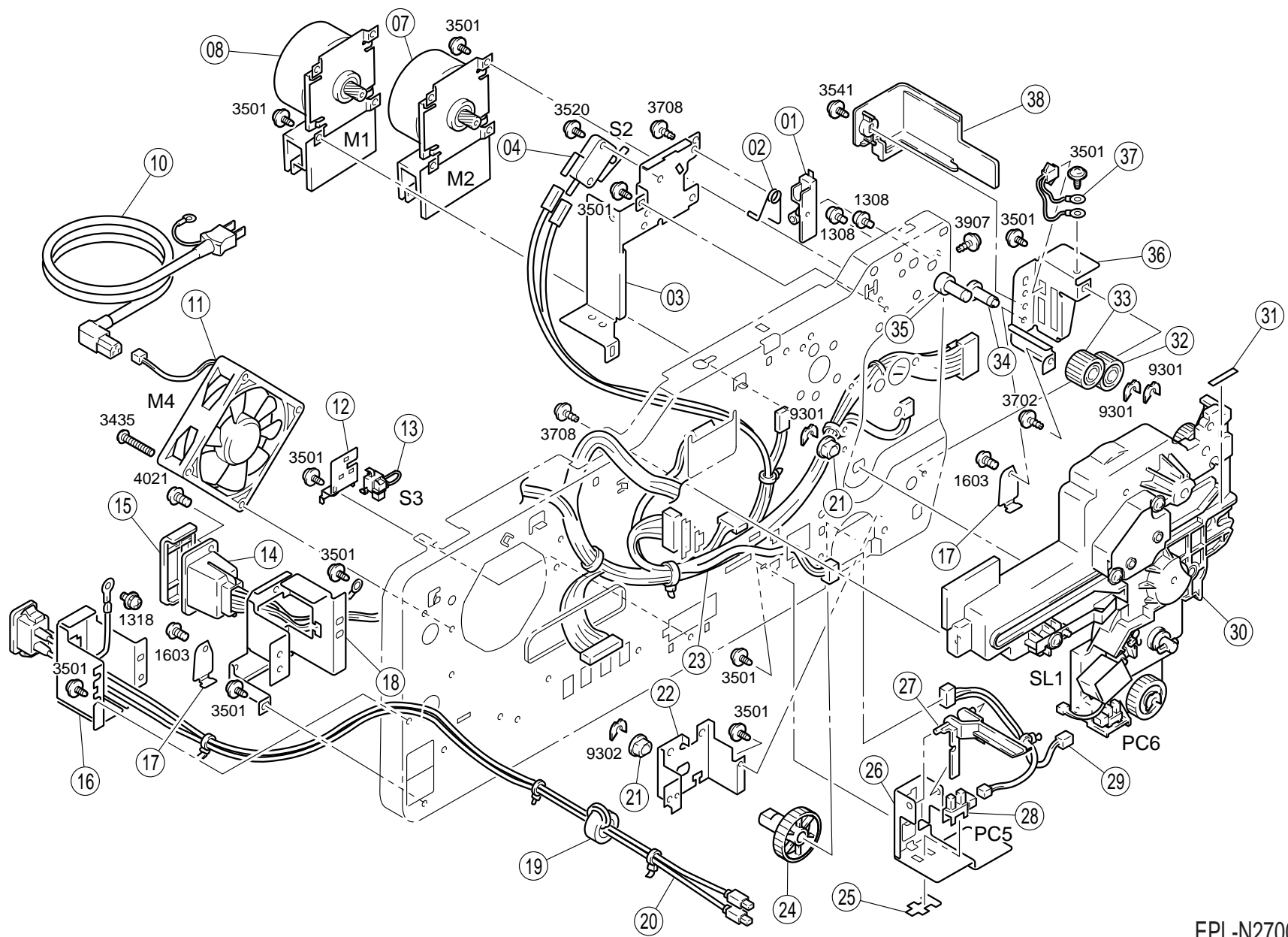


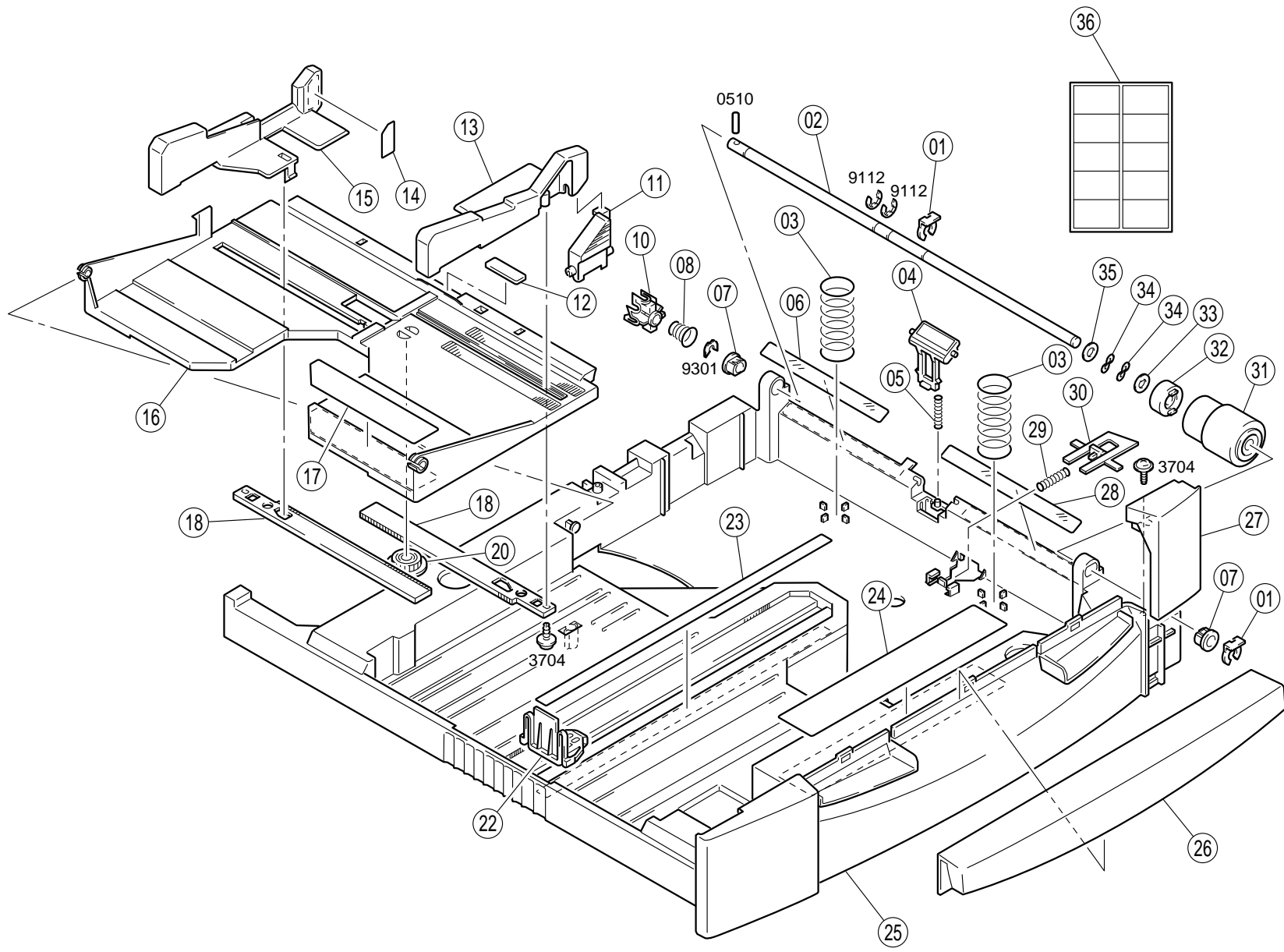


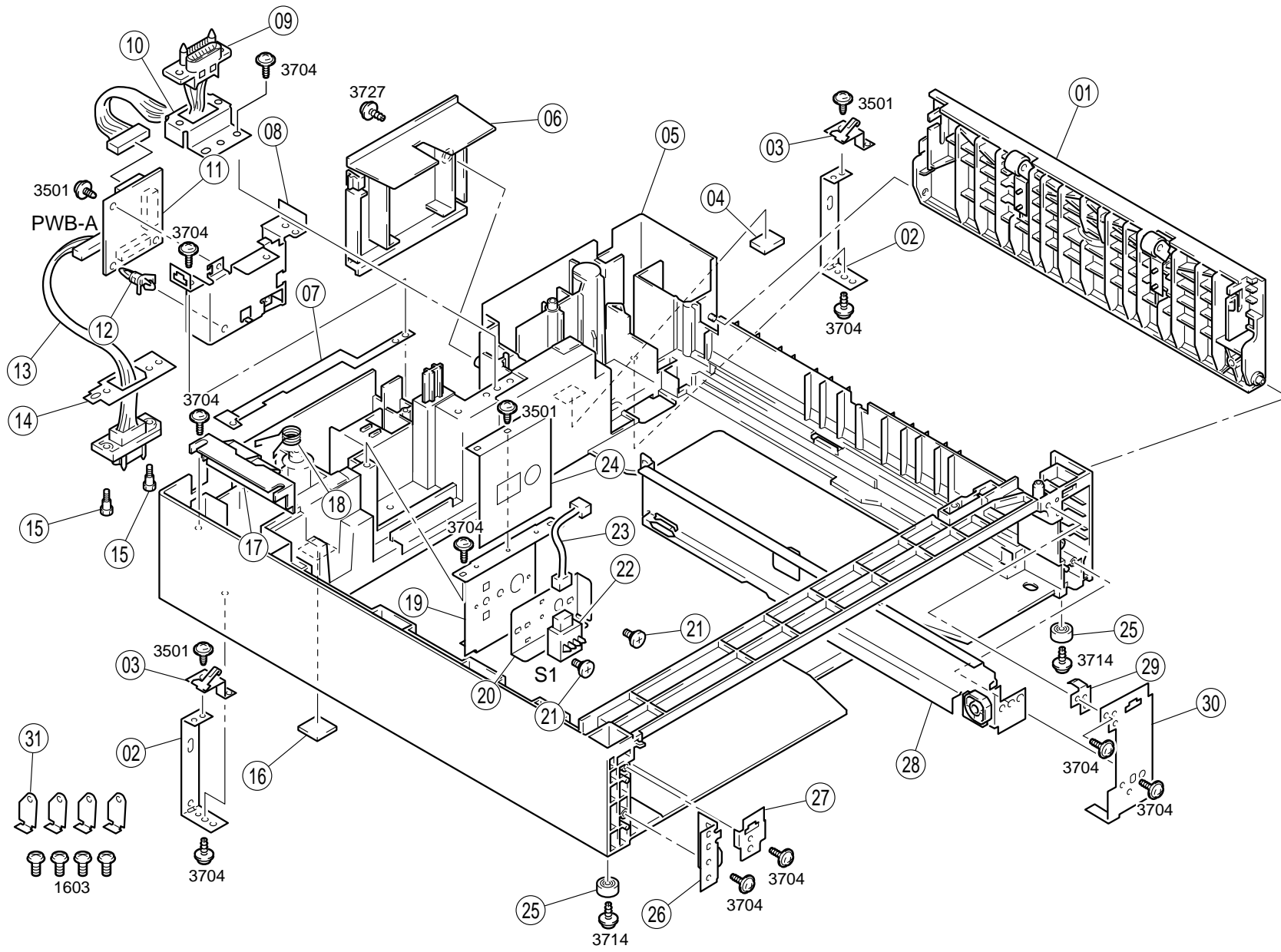


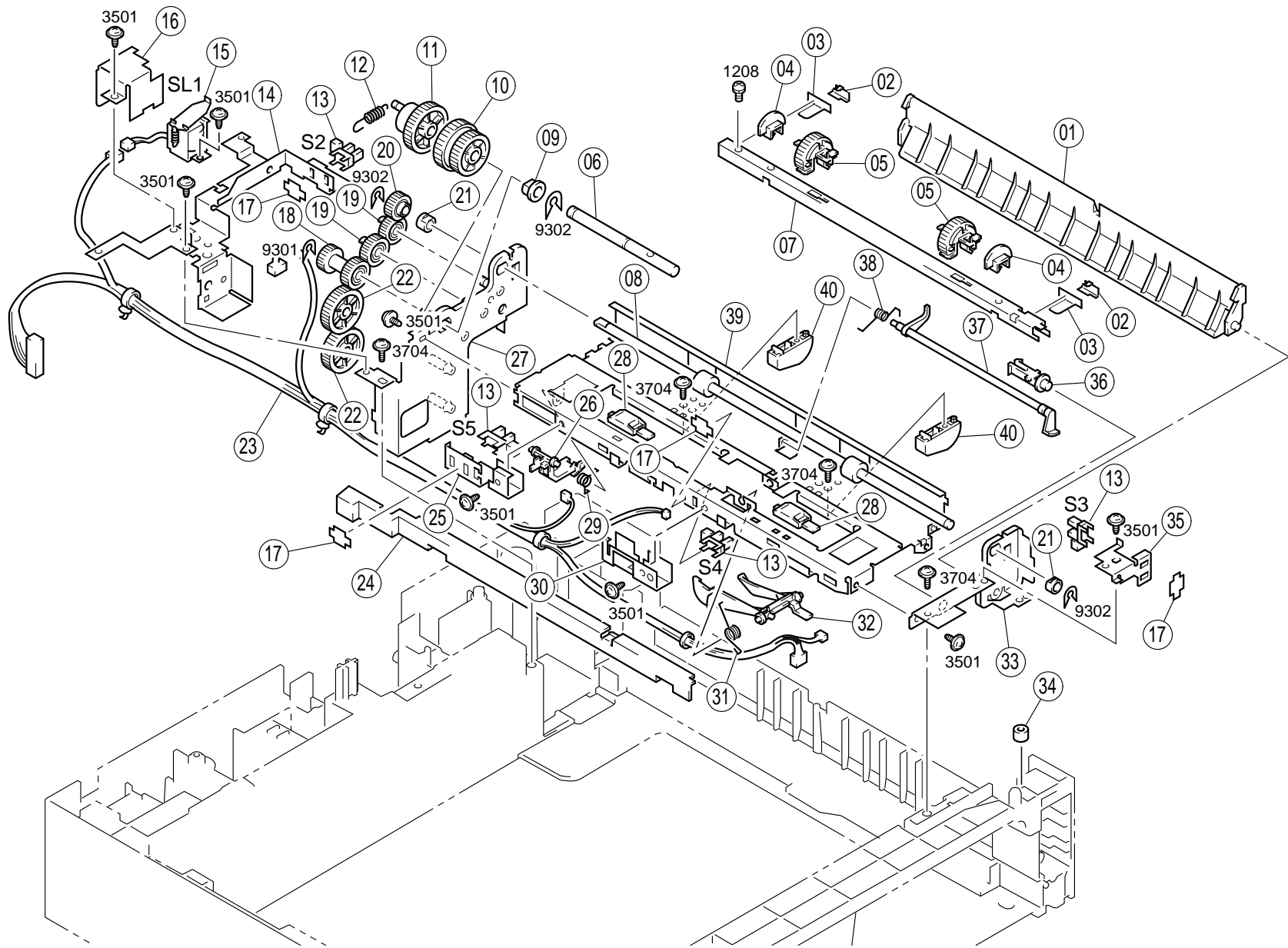


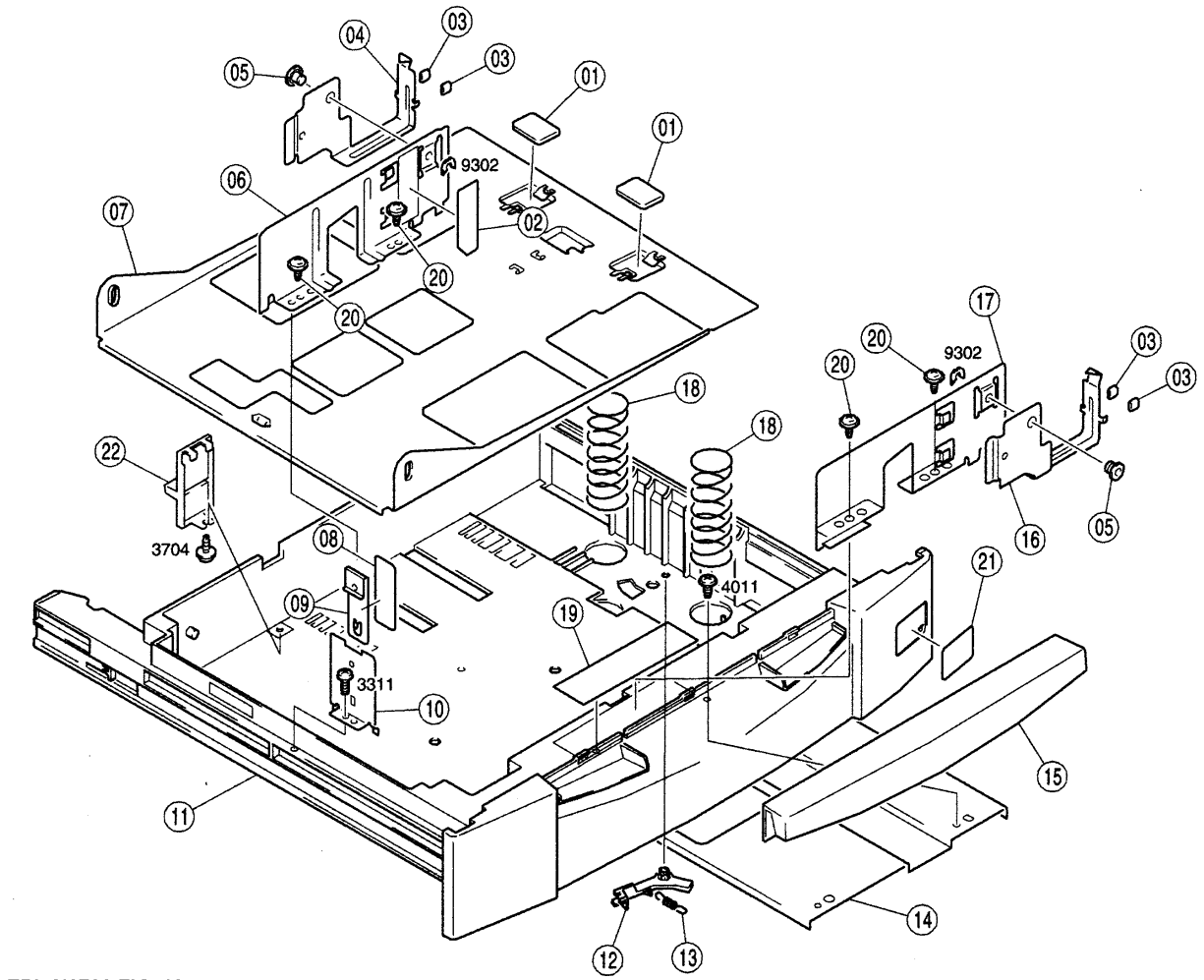




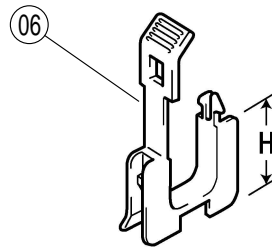
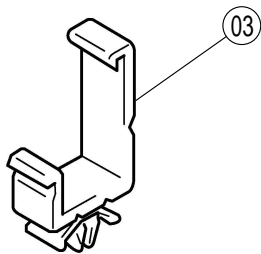
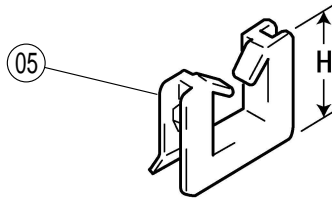
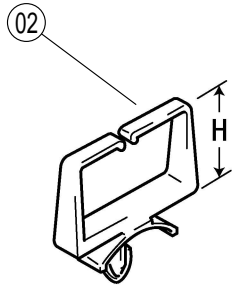
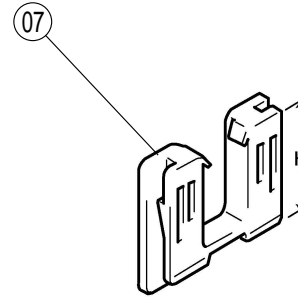
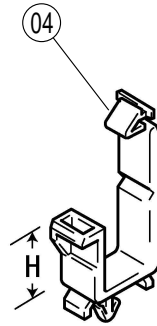
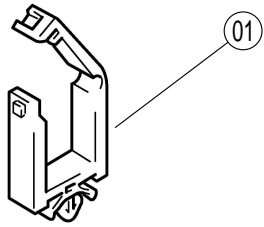








EPL-N2700 FIG. 13



# EPSON

## C813181

Duplex Unit – EPL-N2700

Page No.:1

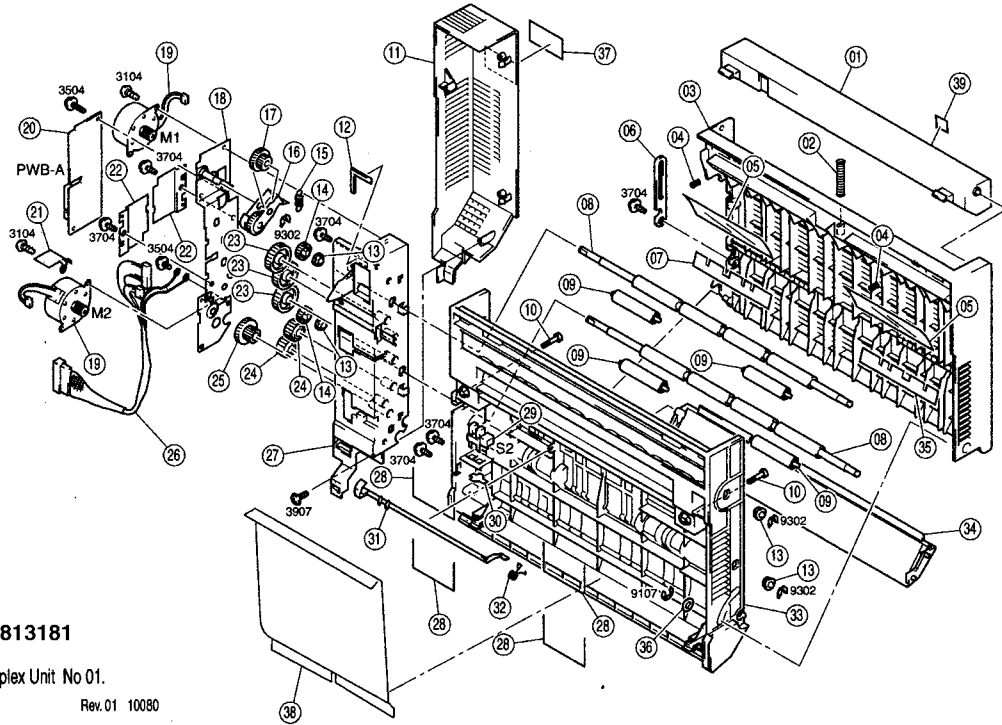
REF	PART NO	DESCRIPTION	SPEC	QTY
01-01	1047305	LEVER	4497-3145-01	1
01-02	1047306	PRESSURE SPRING	4497-3106-03	1
01-03	1047307	COVER	4497-3142-02	1
01-04	1047308	PRESSURE SPRING	4497-3110-01	2
01-05	1047309	POLYESTER FILM	4497-3151-01	2
01-06	1047311	STOPPER	4497-3109-02	1
01-07	1047310	POLYESTER FILM	4497-3153-01	1
01-08	1047312	ROLLER	4497-3113-02	2
01-09	1047313	ROLLER	4497-3116-01	4
01-10	1047314	SHOULDER SCREW	4497-3108-01	2
01-11	1047315	COVER	4497-3144-02	1
01-12	1047316	SEAL	4497-3157-02	1
01-13	1046739	BUSHING	1274-2611-01	4
01-14	1047317	GEAR 20T	4497-3117-01	2
01-15	1047318	TENSION SPRING	4497-3124-01	1
01-16	1047319	LEVER	4497-0202-01	1
01-17	1047320	GEAR 12/40T	4497-3121-01	1
01-18	1047321	AXLE PLATE	4497-0201-02	1
01-19	2031335	MOTOR	9314-1710-72	2
01-20	2031336	PW BOARD-A	4497-0101-04	1
01-21	1047322	PLATE	4497-3156-01	1
01-22	1047323	PLATE	4497-3154-01	2
01-23	1047324	GEAR 35T	4497-3123-01	3
01-24	1047325	GEAR 24T	4497-3119-01	2
01-25	1047326	GEAR 17/45T	4497-3118-01	1
01-26	2031337	HARNES	4497-6801-04	1
01-27	1047327	HOLDER	4497-0751-01	1
01-28	1047328	SPRING	4497-3114-01	4
01-29	2030595	PHOTO INTERRUPTER	9335-1510-11	1
01-30	1047329	STOPPER	1136-2131-03	1
01-31	1047330	ACTUATOR	4497-3133-01	1
01-32	1047331	TORSION SPRING	4497-3134-01	1
01-33	1047332	FRAME	4497-3141-02	1
01-34	1047333	COVER	4497-3143-01	1
01-35	1047334	POLYESTER FILM	4497-3152-01	1
01-36	1047335	WASHER	1200-1446-02	1
01-37	1047336	LABEL	4497-7463-01	1
01-39	1051632	LABEL	4497-7467-01	1
3104	1046133	TAPPING SCREW	9656-0308-13	1
3504	1004720	TAPPING SCREW		1
3704	1015399	TAPPING SCREW		1
3907	1015402	TAPPING SCREW		1
9302	1046101	RETAINING RING	4425-3001-01	1
9701	1004746	RETAINING RING		1
END				

# EPSON

## C813181

Duplex Unit - EPL-N2700

Page No.:2



**C813181**

Duplex Unit No 01.

Rev.01 10080



# EPSON C813201

5-Bin Cassette for EPL-N2700

Page 1

REF	PART NO	DESCRIPTION	SPEC	QTY
01-01	1047337	TOP COVER		1
01-02	1047338	REAR COVER		1
01-03	1047339	COVER		1
01-04	1047340	HOLDER		4
01-05	1047341	ROLL		4
01-06	1047342	SHOULDERED SCREW		2
01-07	1046040	TRAY		1
01-08	1046041	TRAY		3
01-09	1046042	TRAY		1
01-10	1047343	COVER		1
01-11	1047344	FRONT COVER		1
01-12	1047345	LABEL BIN		2
01-13	1051631	LABEL COVER		1
01-14	1052275	LABEL MODE		1
02-01	1047346	SHOULDER SCREW		6
02-02	1047347	ROLL		4
02-03	1047348	GUIDE PLATE		1
02-04	1047349	ROLL		2
02-05	1047350	GUIDE PLATE		1
02-06	1047351	HOLDER		1
02-07	2030768	PW BOARD-C		1
02-08	1046126	SPRING ROLL PIN		1
02-08	1047352	SHAFT		1
02-09	1047353	GROUND PLATE		1
02-10	1047354	SUPPORT		2
02-11	1047355	GEAR 24T		1
02-12	1053635	BELT		1
02-13	1047357	BUSHING		2
02-14	1046129	SPRING ROLL PIN		1
02-14	1047358	SHOULDER SCREW		2
02-15	1047359	ROLL		5
02-16	1047360	GUIDE		1
02-17	1053638	GUIDE PLATE		1
02-18	1047362	ROLLER		1
02-19	2030769	PHOTO INTERRUPTER		1
02-20	1047363	PWB SUPPORT		2
02-21	1047364	BRACKET		1
02-22	2034308	PW BOARD-A		1
02-23	1047365	PWB SUPPORT		4
02-24	2031348	HARNESS		1
02-25	1046713	STOPPER		1
02-26	1047366	COVER		1
02-27	1047367	NEUTRALIZING BRUSH		5
02-28	1047368	NEUTRALIZING BRUSH		5
02-29	1047369	COVER		1
02-30	1010339	BUSHING		2
02-31	1047370	GEAR 45T		1
02-32	2030771	MOTOR		1
02-33	1047371	BRACKET		1
02-34	1047372	GEAR 15T		1
02-35	1047373	SHAFT		1
02-36	1047374	SHAFT		1
02-37	1047375	GEAR 16/28T		1
02-38	1047376	CAM GEAR 64T		1
02-39	1047377	ARM		1
02-40	1047378	SHAFT		1
02-41	1047379	SHAFT		1
02-42	1047380	HOLDER		2
03-01	1047381	GUIDE PLATE		1
03-02	1047382	GUIDE PLATE		1
03-03	1047383	GUIDE PLATE		1
03-04	1047384	GUIDE PLATE		1
03-05	1047357	BUSHING		12
03-06	1047385	GEAR 28T		3
03-07	1047386	GEAR 30T		6
03-08	1047387	GEAR 46T		1

# EPSON

## C813201

5-Bin Cassette for EPL-N2700

Page 2

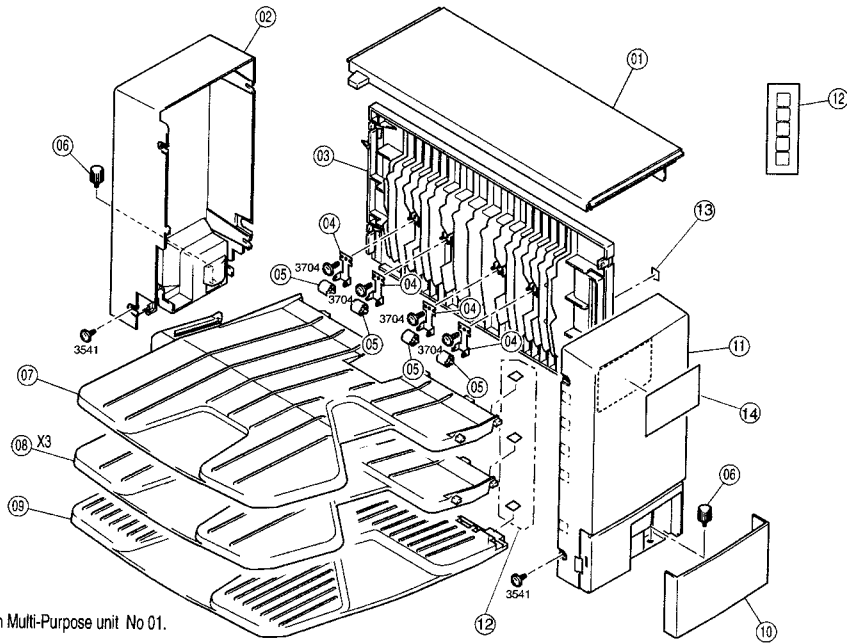
REF	PART NO	DESCRIPTION	SPEC	QTY
03-09	1047388	GEAR 28/32T		1
03-10	1047389	GEAR 18/29T		1
03-11	1047390	BRACKRT		1
03-12	2030772	MOTOR		1
03-13	1047391	HOLDER		1
03-14	1047392	TENSION SPRING		1
03-15	1047393	GEAR 22/29T		1
03-16	1047394	SHOULDER SCREW		2
03-17	1047395	GUIDE PLATE		1
03-18	1047396	ROLLER		1
03-19	1047397	ROLLER		4
03-20	1047398	ROLLER		1
04-01	1047399	GUIDE LEVER		1
04-02	1047358	SHOULDERED SCREW		1
04-03	1047400	GUIDE LEVER		1
04-04	1047401	BUSHING		1
04-05	1047402	BRACKET		1
04-06	2030769	PHOTO INTERRUPTER		2
04-07	1046713	STOPPER		2
04-08	2031349	SOLENOID		2
04-09	1047404	HOLDER		1
04-10	1047405	TENSION SPRING		2
04-11	1047406	HOLDER		2
04-12	1047407	GEAR 14/70T		1
04-13	1047408	GEAR 14/42T		1
04-14	1047409	WASHER		2
04-15	1047410	BUSHING		2
04-16	1047411	HOLDER		1
04-17	1047412	GEAR 24T		1
04-18	2030774	MOTOR		1
04-19	1047413	BRACKET		1
04-20	1047414	BRACKET		1
04-21	1047415	TORSION SPRING		1
04-22	1047416	REINFORCE PLATE		1
04-23	1047417	SCREW		3
04-24	1047418	GUIDE LEVER		1
04-25	1047419	GUIDE		1
04-26	2030775	PHOTO INTERRUPTER		1
04-27	1047421	TORSION SPRING		1
04-28	1047422	GUIDE		1
04-29	1047423	HOLDER		1
04-30	1047357	BUSHING		1
04-32	1047426	POLYESTER FILM		1
04-34	1047653	STOPPER		1
05-01	2031350	HARNESS		1
05-02	1047428	GUIDE		1
05-03	1047429	ROLL		18
05-04	1047430	SPRING		16
05-05	1033315	RETAINING RING		2
05-06	1047431	LEVER		2
05-07	1047432	PIN		2
05-08	1047434	COLLAR		12
05-09	2030776	PW BOARD-B		1
05-10	1047435	COVER		4
05-11	1047436	TENSION SPRING		5
05-12	1047437	LEVER		1
05-13	2030777	PW BOARD-D		3
05-14	1047438	LEVER		3
05-15	2031351	HARNESS		1
05-16	1047439	COVER		1
05-17	2030778	PW BOARD-E		1
05-18	1047440	LEVER		1
05-19	1047441	RPLL		2
05-20	1047442	SPRING		4
05-21	1047443	GUIDE		1



# EPSON C813201

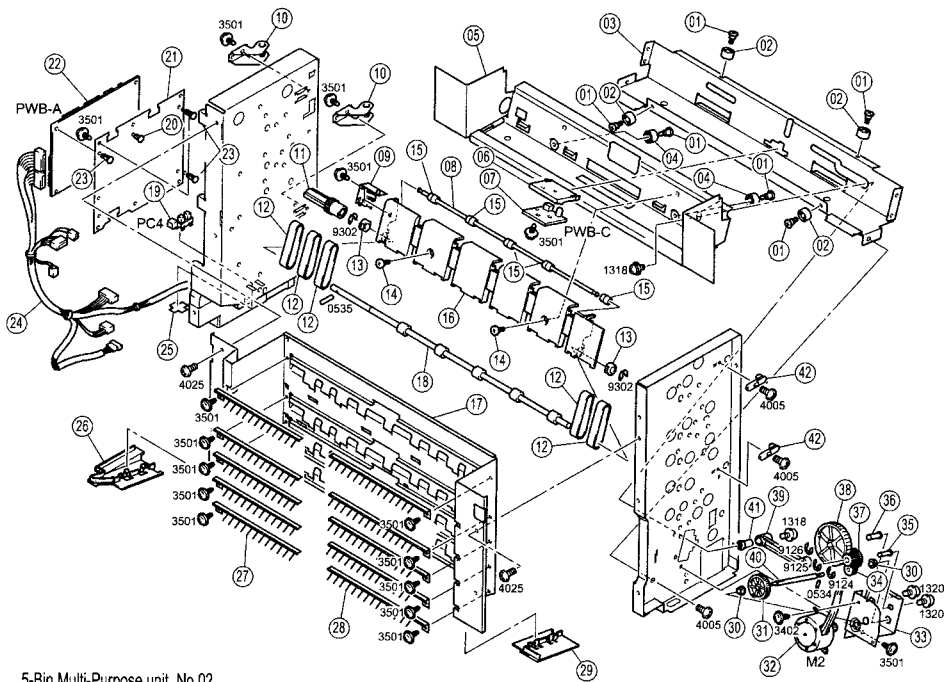
5-Bin Cassette for EPL-N2700

Page 4



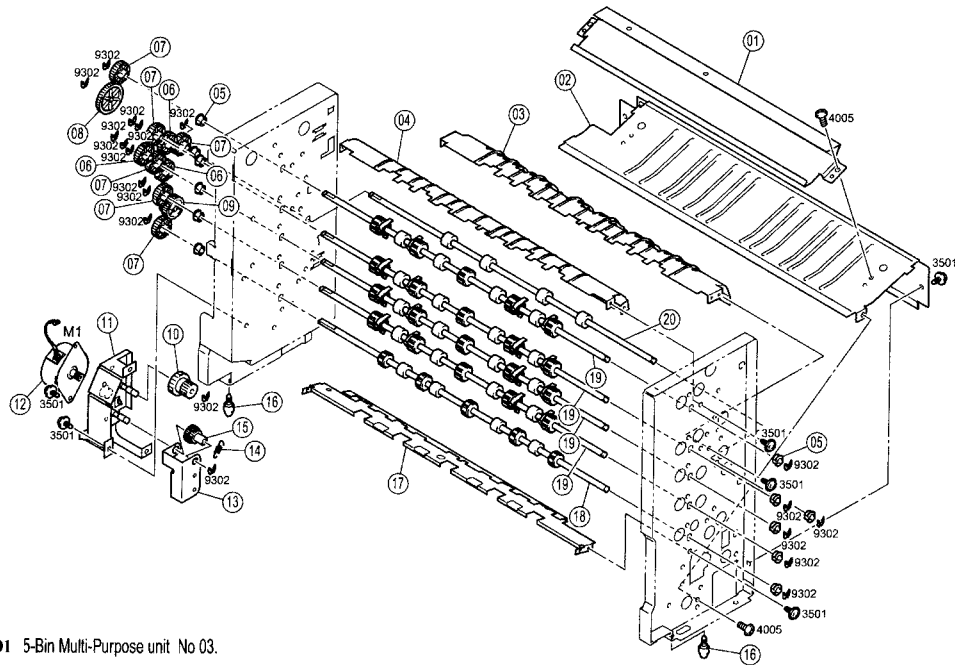
C813201 5-Bin Multi-Purpose unit No 01.

Rev. 02 10078



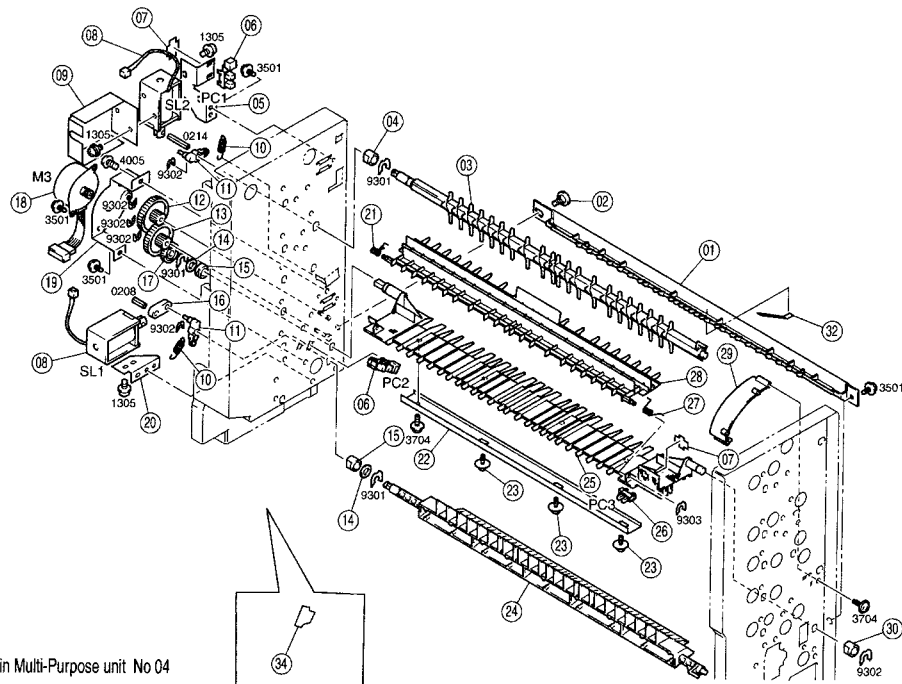
C813201 5-Bin Multi-Purpose unit No 02.

Rev. 01 10078



C813201 5-Bin Multi-Purpose unit No 03.

Rev. 01 10078



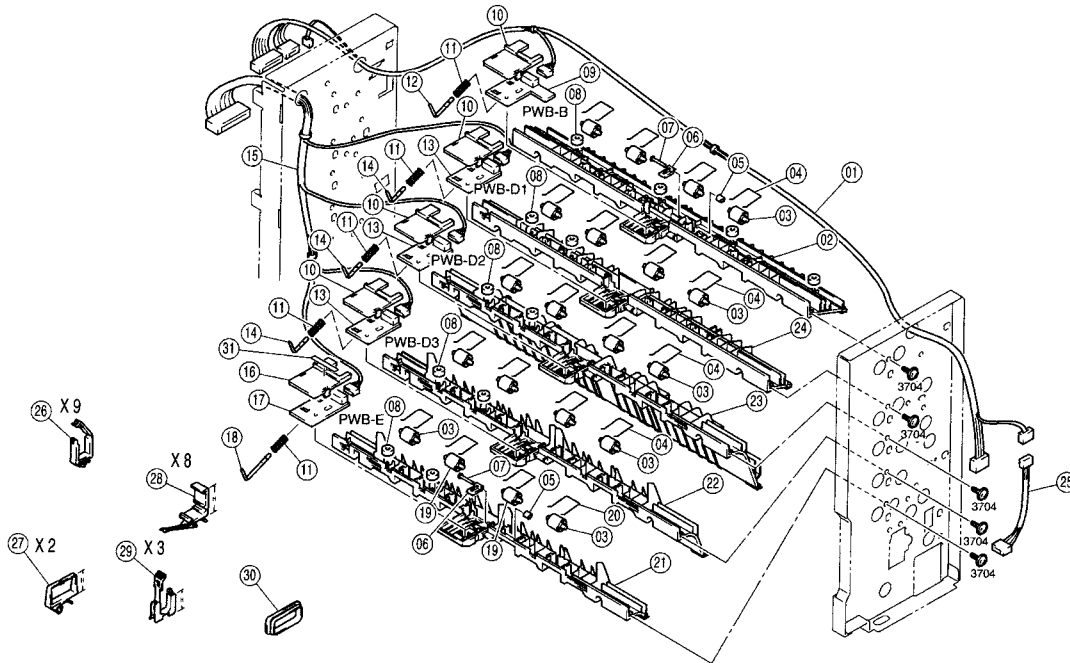
C813201 5-Bin Multi-Purpose unit No 04

Rev. 02 10078

# EPSON C813201

5-Bin Cassette for EPL-N2700

Page 6



C813201 5-Bin Multi-Purpose unit No 05.

Rev. 02 10078

# EPSON

## C813211

OPTIONAL 10 BIN MAILBOX – EPL-N2700

Page No.:1

REF	PART NO	DESCRIPTION	SPEC	QTY
1.01	1047507	TOP COVER	4493-1431-01	1
1.02	1047508	REAR COVER	4493-1433-01	1
1.03	1046040	TRAY	4493-4401-05	10
1.04	1047509	COVER	4493-1434-02	2
1.05	1047510	PLATE	4493-2311-03	1
1.06	1047511	PLATE	4493-2312-02	1
1.07	1047512	SHOULDER SCREW	4493-2110-02	2
1.08	1047513	PIN	4493-2104-02	1
1.09	1047514	HOLDER	4493-2402-03	1
1.1	1047515	POLYESTER FILM	4493-5601-02	1
1.11	1047516	FRONT COVER	4493-1432-01	1
1.12	1047517	BIN RACK	4493-4301-03	1
1.13	1047518	BRACKET	4493-4406-03	2
1.14	2031407	PW BOARD-B	4493-0102-14	1
1.15	1047519	COVER	4493-4405-04	2
1.16	2031408	PW BOARD-D	4493-0104-14	1
1.17	1054792	STATIC DISCHARGE BRUSH	4493-4501-03	10
1.18	1054793	STATIC DISCHARGE BRUSH	4493-4502-03	10
1.19	1047522	LABEL	4493-7303-01	1
2.01	1047523	GUIDE	4493-3409-02	2
2.02	1047524	SUPPORT PLATE	4493-3304-01	4
2.03	1053644	GUIDE PLATE	4493-3303-16	1
2.04	1047526	SHAFT	4493-2112-01	1
2.05	1047527	FOOT	4493-2327-01	1
2.06	1047528	ROLL	4493-2415-01	1
2.07	1047529	BASE FRAME	4493-2303-03	1
2.08	2031409	PW BOARD-C	4493-0103-14	1
2.09	2031410	HARNESS	4493-6803-02	1
2.1	1047530	SUPPORT PLATE	4493-2329-01	1
2.11	1047531	BRACKET	4493-2828-01	1
2.12	1047532	FOOT	4493-2304-05	2
2.13	1047533	ADJUSTING BOLT	4493-2108-01	2
2.14	1047534	CASTOR	4427-2612-01	4
2.15	1047535	STOP PLATE	4493-2325-02	1
2.16	1047536	STOP PLATE	4493-2326-02	1
2.17	1047538	GROUND PLATE	4493-2204-03	1
2.18	1047539	STOPPER	4493-2414-02	2
2.19	1047540	PLATE	1251-3306-01	2
2.2	1047541	PIPE	4493-2111-01	1
2.21	1047542	LABEL	4493-7304-02	2
2.22	1047543	LABEL	4493-7332-01	2
2.23	1047544	PLATE	1251-3309-01	4
2.24	1047545	MAGNET	1251-5301-01	2
2.25	1047546	BRACKET	1251-3307-01	2
2.26	1047547	COVER	4493-1301-02	1
2.27	1047548	GROUND PLATE	4493-2321-01	1
2.28	1047549	MAGNET CATCH	4425-3372-01	1
2.29	1047550	HOLDER	4493-3412-01	4
2.3	1047551	RUBBER STRIP	4493-3501-02	2
242	1047615	SPRING ROLL PIN	9754-3014-50	1
3.01	1047552	BRACKET	4493-2317-02	1

# EPSON

## C813211

OPTIONAL 10 BIN MAILBOX – EPL-N2700

Page No.:2

REF	PART NO	DESCRIPTION	SPEC	QTY
3.02	1047553	GUIDE PLATE	4493-3302-04	1
3.03	1047554	CUSHION	4493-3502-01	4
3.04	1047555	GEAR 17T	1300-3222-62	2
3.05	1047556	GEAR 37T	1300-3252-74	2
3.06	1047557	GEAR 18T	4493-2412-01	1
3.07	1047558	GEAR 20T	1300-3122-21	1
3.08	1047357	BUSHING	1250-2302-01	4
3.09	1047559	AXLE PLATE	4493-0202-02	1
3.1	1047560	TENSION SPRING	4493-2201-02	1
3.11	1047561	GEAR 17T	4493-2403-01	2
3.12	1047562	GEAR 19T	1300-3222-58	1
3.13	1047563	BALL BEARING	1300-4223-01	2
3.14	1055566	ROLLER	4493-3101-05	1
3.15	1047565	ROLLER	4493-3104-01	1
3.16	1047566	GUIDE	4493-3403-04	1
3.17	1047567	BUSHING	4493-3411-01	1
3.18	1047568	BRACKET	4493-3305-02	1
3.19	2031411	SOLENOID	9321-2710-61	1
3.2	1047569	STOPPER	1250-4303-01	1
3.21	1047570	TENSION SPRING	4493-3207-01	1
3.22	1047571	HOLDER	1250-4302-03	1
3.23	1047572	GUIDE PLATE	4493-3301-03	1
3.24	1047573	BRACKET	4493-2313-02	1
3.25	1047574	TORSION SPRING	1400-3300-22	1
3.26	1047575	ACTUATOR	4493-4409-01	1
3.27	1047576	HOLDER	1250-4404-01	1
3.28	1047577	ROLL	4417-3412-02	8
3.29	1047578	PLATE SPRING	4493-3201-02	4
4.01	1047579	ROLLER	4493-3102-01	2
4.02	1047563	BALL BEARING	1300-4223-01	2
4.03	1047580	BRACKET	1250-3401-01	2
4.04	1047555	GEAR 17T	1300-3222-62	2
4.05	1047556	GEAR 37T	1300-3252-74	2
4.06	1047581	SHOULDER SCREW	4493-3105-01	5
4.07	1047582	GUIDE	4493-3410-03	5
4.08	1047577	ROLL	4417-3412-02	8
4.09	1047583	PLATE SPRING	4493-3204-01	8
4.1	1047584	BRACKET	4493-4404-04	4
4.11	2031408	PW BOARD-D	4493-0104-14	4
4.12	1047519	COVER	4493-4405-04	4
4.13	2031412	HARNESS	4493-6806-02	1
4.14	1047357	BUSHING	1250-2302-01	2
5.01	1047579	ROLLER	4493-3102-01	3
5.02	1047563	BALL BEARING	1300-4223-01	3
5.03	1047581	SHOULDER SCREW	4493-3105-01	4
5.04	1047580	BRACKET	1250-3401-01	2
5.05	1047555	GEAR 17T	1300-3222-62	3
5.06	1047562	GEAR 19T	1300-3222-58	3
5.07	1047561	GEAR 17T	4493-2403-01	1
5.08	1047556	GEAR 37T	1300-3252-74	2
5.09	1047584	BRACKET	4493-4404-04	4



# EPSON

## C813211

OPTIONAL 10 BIN MAILBOX – EPL-N2700

Page No.:3

REF	PART NO	DESCRIPTION	SPEC	QTY
5.1	2031408	PW BOARD-D	4493-0104-14	4
5.11	1047519	COVER	4493-4405-04	4
5.12	2031412	HARNESS	4493-6806-02	1
5.13	2031413	HARNESS	4493-6807-02	1
5.14	1047582	GUIDE	4493-3410-03	4
5.15	1047357	BUSHING	1250-2302-01	3
6.01	1047555	GEAR 17T	1300-3222-62	4
6.02	1047562	GEAR 19T	1300-3222-58	6
6.03	1047561	GEAR 17T	4493-2403-01	4
6.04	1047585	GEAR 18/40T	4493-2405-01	1
6.05	1047586	GUIDE	4493-3407-03	4
6.06	1047581	SHOULDER SCREW	4493-3105-01	4
6.07	1047587	SHAFT	4493-3205-01	8
6.08	1047563	BALL BEARING	1300-4223-01	4
6.09	1047588	ROLL	4417-3410-01	16
6.1	1047589	PLATE SPRING	4405-3203-01	8
6.11	1055566	ROLLER	4493-3101-05	4
6.12	1047357	BUSHING	1250-2302-01	4
6.13	1047569	STOPPER	1250-4303-01	4
6.14	1047590	TENSION SPRING	1250-1404-01	4
6.15	1047571	HOLDER	1250-4302-03	4
6.16	2031414	SOLENIOD	9321-2710-71	1
6.17	1047567	BUSHING	4493-3411-01	4
6.18	1047591	GUIDE	4493-3404-05	4
7.01	1047592	GUIDE	4493-3408-03	3
7.02	1047586	GUIDE	4493-3407-03	2
7.03	1047555	GEAR 17T	1300-3222-62	5
7.04	1047561	GEAR 17T	4493-2403-01	4
7.05	1047562	GEAR 19T	1300-3222-58	8
7.06	1047588	ROLL	4417-3410-01	20
7.07	1047593	HOLDER	4417-3401-01	12
7.08	1047594	PLATE SPRING	4493-3206-01	12
7.09	1047581	SHOULDER SCREW	4493-3105-01	5
7.1	1047587	SHAFT	4493-3205-01	10
7.11	1047563	BALL BEARING	1300-4223-01	5
7.12	1047341	ROLL	1250-4410-01	12
7.13	1047589	PLATE SPRING	4405-3203-01	10
7.14	1055566	ROLLER	4493-3101-05	5
7.15	1047357	BUSHING	1250-2302-01	5
7.16	1047595	BUSHING	4493-3406-01	1
7.17	2031415	SOLENOID	9321-2710-81	1
7.18	1047571	HOLDER	1250-4302-03	8
7.19	1047590	TENSION SPRING	1250-1404-01	4
7.2	1047569	STOPPER	1250-4303-01	4
7.21	1047567	BUSHING	4493-3411-01	4
7.22	1054496	GUIDE	4493-3404-16	1
7.23	1054499	GUIDE	4493-3405-16	1
7.24	1047597	PLATE SPRING	4439-3501-01	6
8.01	2030769	PHOTO INTERRUPTER	9335-1311-01	1
8.02	1047598	BALL BEARING	1300-4322-05	2
8.03	1047599	PULLEY 64T	1500-2513-07	1

# EPSON

## C813211

OPTIONAL 10 BIN MAILBOX – EPL-N2700

Page No.:4

REF	PART NO	DESCRIPTION	SPEC	QTY
8.04	1047600	TIMING BRLT	1500-1501-27	1
8.05	1047601	PULLEY	4493-2401-01	1
8.06	1047602	PULLEY 16T	1250-0207-01	1
8.07	1047603	TIMING BELT	1290-2502-01	1
8.08	1047604	COMBINATION GEAR 64/18T	1500-2513-09	1
8.09	2031416	HARNESS	4493-6805-01	1
8.1	1047605	HOLDER	4493-2316-03	1
8.11	1047606	CORD BUSHING	9384-1521-51	1
8.12	2031417	HARNESS	4493-6804-01	1
8.13	1047607	CORD BUSHING	9384-1621-61	1
8.14	2031418	HARNESS	4493-6801-03	1
8.15	2031419	HARNESS	4493-6802-01	1
8.16	2031420	FUSE 0.5A	9346-3610-11	1
8.17	2034965	PW BOARD-A	4493-0110-14	1
8.18	1047608	PWB SUPPORT9.53H	9384-1900-55	2
8.19	1047609	PWB SUPPORT9.53H	9384-1900-57	4
8.2	1047610	BRACKET	4493-2319-01	1
8.21	2031422	MICROSWITCH	9331-1610-11	1
8.22	1047611	HOLDER	4493-2404-13	1
8.23	1047612	BRACKET	4493-2306-01	1
8.24	1047548	GROUND PLATE	4493-2321-01	1
8.25	1047549	MAGNETIC CATCH	4425-3372-01	1
8.26	2031423	MOTOR ASSY	4493-0751-01	1
8.27	1047613	BRACKET	4493-2305-02	1
8.28	1047614	SHAFT	4493-2101-01	1
8.29	1046713	STOPPER	4470-4024-01	1
9.01	1047617	COVER	4626-2424-12	1
9.02	1047618	BRACKET	4626-3321-01	1
9.03	1047619	TENSION SPRING	4626-3221-01	1
9.04	1047620	ROLL	4626-2403-01	2
9.05	1047357	BUSHING	1250-2302-01	2
9.06	1047621	LEVER	4626-3422-01	1
9.07	2031425	SOLENOID	4626-6201-01	1
9.08	1047622	SEAL	4606-2504-02	2
9.09	1047623	MAGNETIC CATCH	4479-3804-01	2
9.1	1053643	COVER	4626-0751-02	1
9.11	1047625	PLATE	4606-2313-01	2
9.12	1047626	REAR COVER	4626-1401-01	1
9.13	1047627	CUSHION	4626-1521-01	1
9.14	1047628	GUIDE PLATE	4626-2422-01	1
9.15	1047629	LOWER COVER	4626-1321-02	1
9.16	1047630	SHOULDERED SCREW	4626-2105-01	1
9.17	1047631	LEVER	4606-2421-04	1
9.18	1047632	CUSHION	4626-2505-01	4
9.19	1047633	TORSION SPRING	4606-2206-03	1
9.2	1053645	GUIDE PLATE	4626-2404-02	1
9.21	1047635	GUIDE PLATE	4626-3421-01	1
10	1047636	PLATE SPRING	4606-3206-01	2
10	1047637	ROLL	4606-3401-02	2
10	1047403	WASHER	1200-1556-07	4
10	1047638	PULLEY 17T	4606-2408-01	2

# EPSON

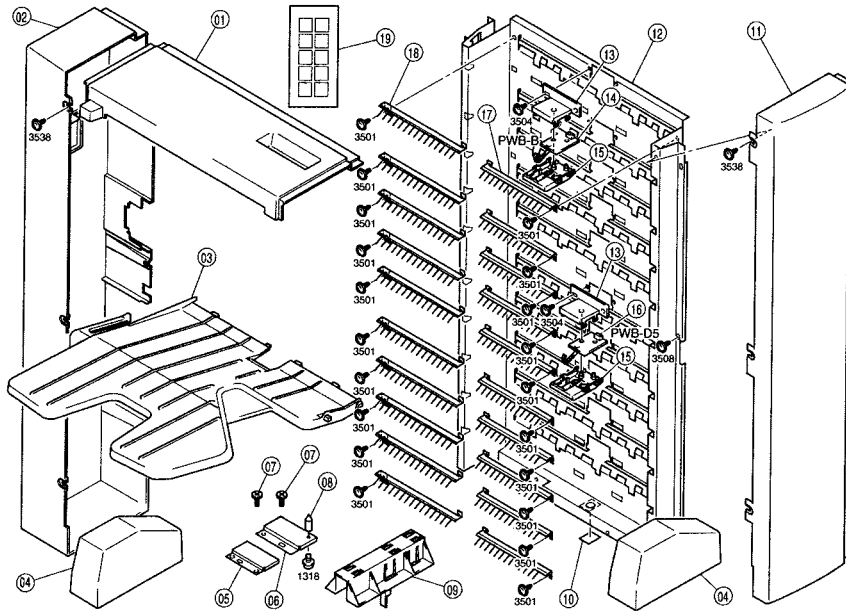
## C813211

OPTIONAL 10 BIN MAILBOX – EPL-N2700

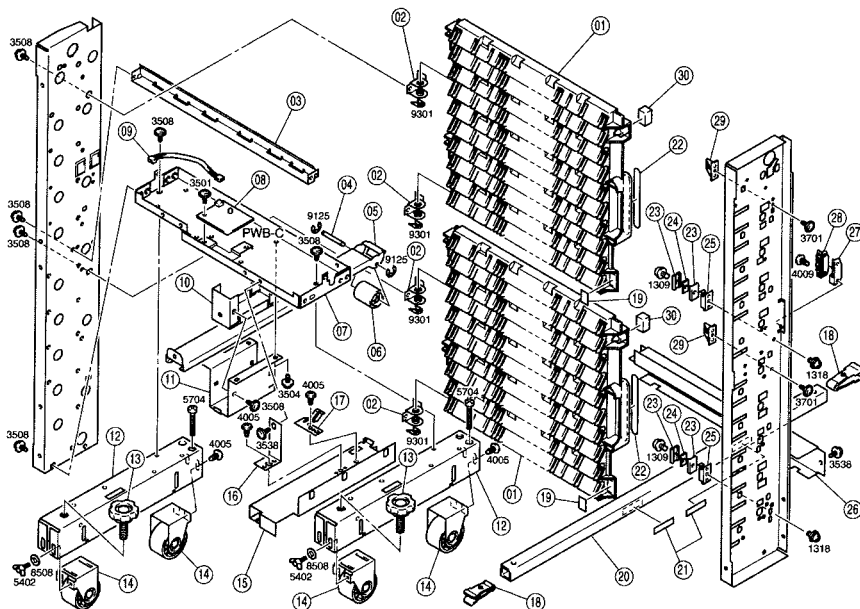
Page No.:5

REF	PART NO	DESCRIPTION	SPEC	QTY
10.1	1047639	CLUTCH	4606-2420-01	3
10.1	1047357	BUSHING	1250-2302-01	6
10.1	1047640	GROUND PLATE	4606-3205-01	3
10.1	1047417	SCREW	1250-2301-01	7
10.1	1047641	TIMING BELT	4606-2503-01	1
10.1	1047642	TIMING BELT	4626-2502-01	1
10.1	1047643	TIMING BELT	4626-2501-01	1
10.1	2031427	HARNESS	4626-6801-01	1
10.1	1047644	BRACKET	4606-2309-01	1
10.1	1047645	BRACKET	4626-2306-01	1
10.2	1046713	STOPPER	4470-4024-01	2
10.2	2031428	PHOTO INTERRUPTER	9335-1310-31	2
10.2	1047646	COMBINATION GEAR 16/17T	4606-2407-03	1
10.2	1047647	SHAFT	4606-2103-02	1
10.2	1047648	FRAME	4626-1301-01	1
10.2	1033315	RETAINING RING		1
10.2	1047649	ACTUATOR	4626-2405-01	1
10.2	1047650	COVER	4626-2419-01	1
10.2	1047651	PIN	1200-5212-04	1
10.2	1047652	TORSION SPRING	4606-2201-01	1
10.3	1047653	STOPPER	4606-2505-01	1
10.3	1057203	PLATE SPRING	4626-3204-02	2
10.3	1047655	REINFORCE PLATE	4626-2312-01	1
10.3	1047656	ROLLER	4606-3101-01	2
10.3	1047657	REINFORCE PLATE	4626-2321-01	2
10.3	2031429	PHOTO INTERRUPTER	4626-6301-01	1
10.3	1047658	ACTUATOR	4626-2423-01	1
10.3	1047659	TORSION SPRING	4626-2207-01	1
10.3	1011779	GROMMET		1
10.3	1046914	WIRING SADDLE 5.2H	9384-1310-11	12
10.4	1047660	WIRING SADDLE	9384-1310-51	2
10.4	1040796	WIRING SADDLE 18.5		11
10.4	1047661	WIRING SADDLE 27H	9384-1311-01	5
10.4	1047662	WIRING SADDLE 16.8H	9384-1311-21	2
10.4	1047663	WIRING SADDLE 8.0H	9384-1820-31	1
10.4	1015333	EDGE COVER 8.5H		2
1214	1046115	SCREW	9644-0312-13	1
1305	1004686	SCREW		1
1308	1028751	SCREW		1
1309	1046117	SCREW	9646-0310-13	1
1318	1031790	SCREW		1
3204	1046135	TAPPING SCREW	9657-0308-13	1
3303	1004713	TAPPING SCREW		1
3501	1012113	TAPPING SCREW		1
3504	1004720	TAPPING SCREW		1
3508	1011199	TAPPING SCREW		1
3538	1046139	TAPPING SCREW	9735-0408-14	1
3701	1015397	TAPPING SCREW		1
3704	1015399	TAPPING SCREW		1
3705	1015400	TAPPING SCREW		1
3724	1046144	TAPPING SCREW	9739-0412-14	1

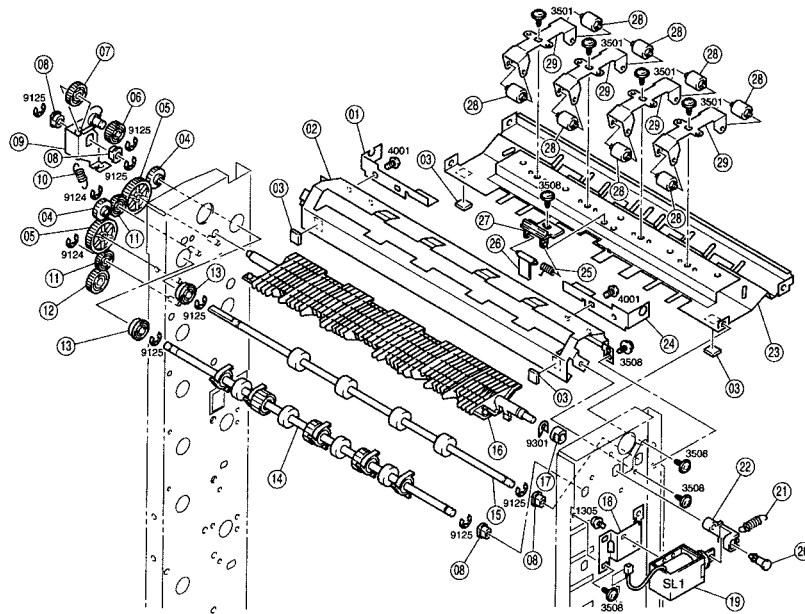




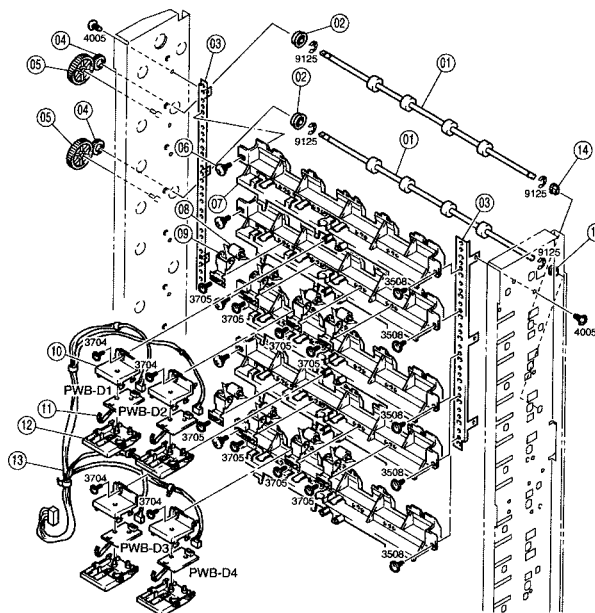
C813211 10-BIN Multi-Purpose unit (1)



C813211 10-BIN Multi-Purpose unit (2)



C813211 10-BIN Multi-Purpose unit (3)



C813211 10-BIN Multi-Purpose unit (4)

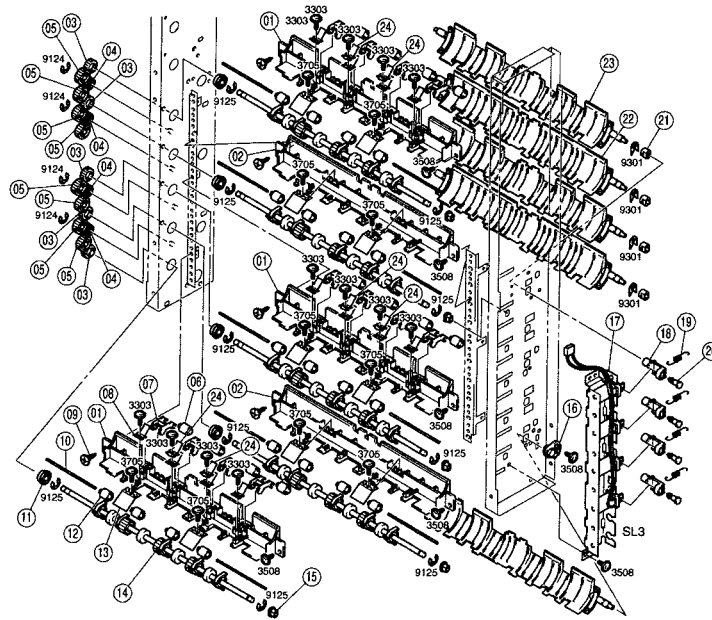


# EPSON

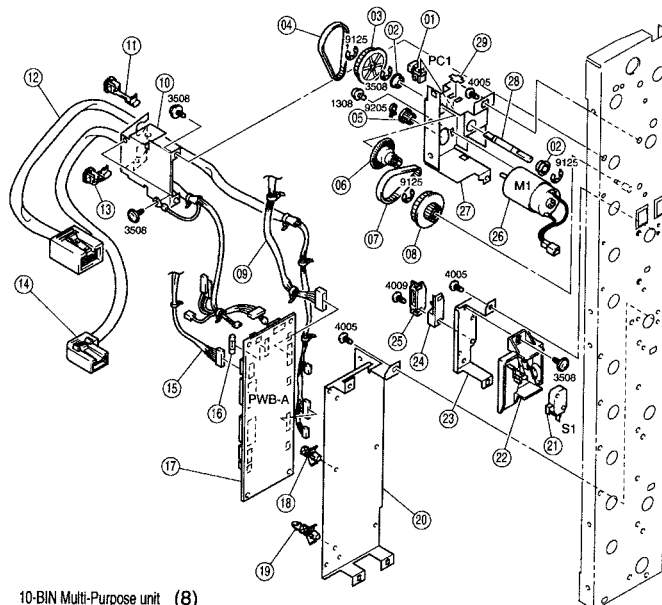
## C813211

### OPTIONAL 10 BIN MAILBOX – EPL-N2700

Page No.:10

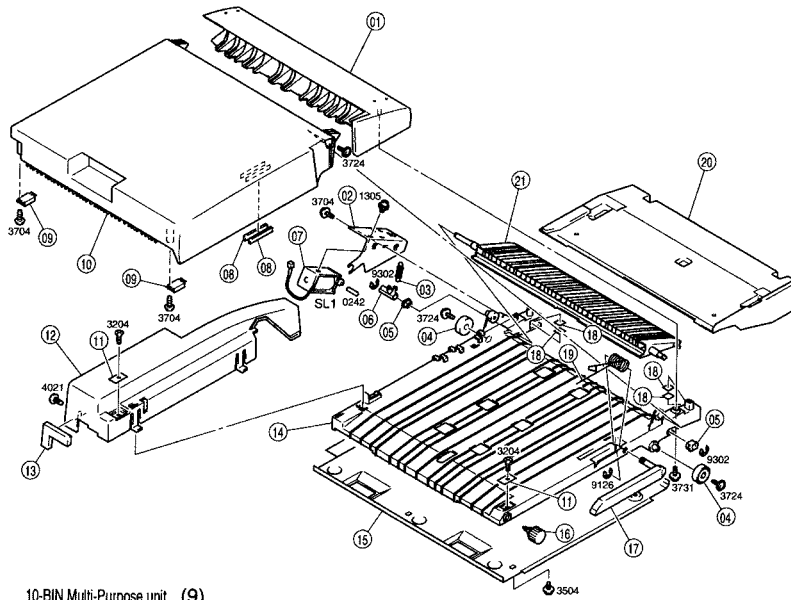


C813211 10-BIN Multi-Purpose unit (7)

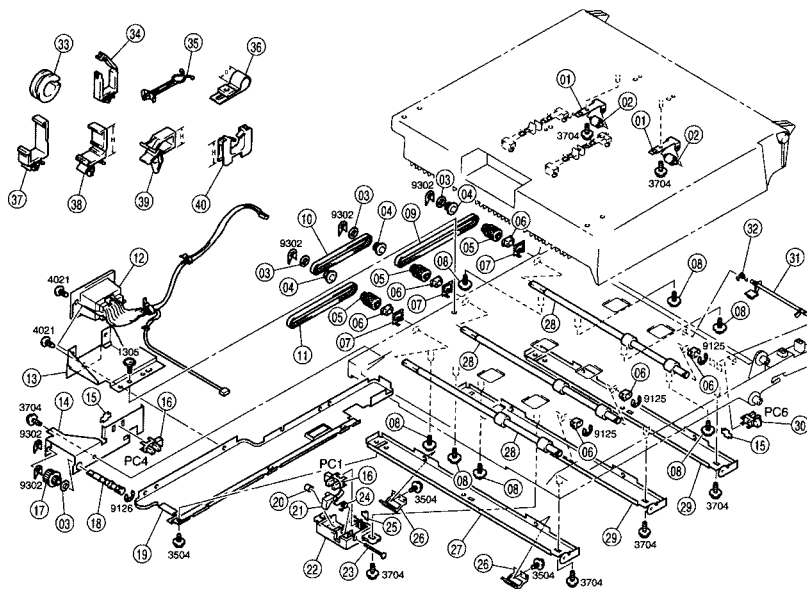


C813211 10-BIN Multi-Purpose unit (8)  
Rev.01 10156





C813211 10-BIN Multi-Purpose unit (9)



C813211 10-BIN Multi-Purpose unit (10)  
Rev.01 10156