

# Di450

---

## PARTS MANUAL

---



MINOLTA

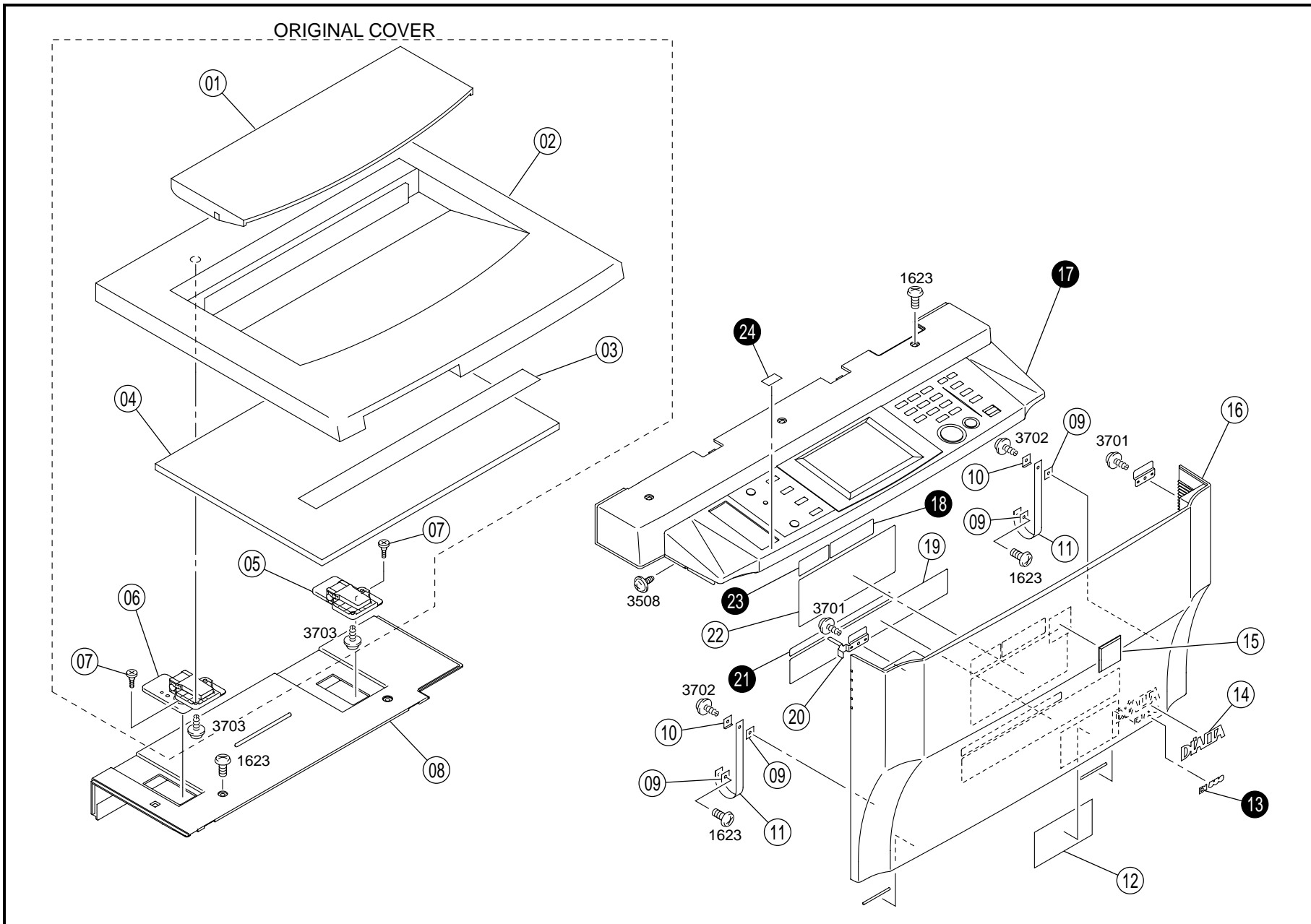
SFIX CHART

SFIX No.	COUNTRY	VOLTAGE	FREQUENCY (Hz)	PAPER SIZE	SFIX No.	COUNTRY	VOLTAGE	FREQUENCY (Hz)	PAPER SIZE
011	JAPAN	100	50/60	METRIC	311	USA/CANADA	120	60	INCH
211	EUROPE	220-240	50/60	METRIC	312	USA/CANADA (GOVERNMENT)	120	60	INCH
212	S AFRICA AUSTRALIA S ARABIA RUSSIA HONG KONG	220-240	50/60	INCH/METRIC	313	TAIWAN	115	60	METRIC
214	PHILIPPINE L AMERICA	220-240	50/60	INCH/METRIC	314	S ARABIA CURACAO BRAZIL	120-127	60	INCH/METRIC
218	KOREA	220	60	METRIC					

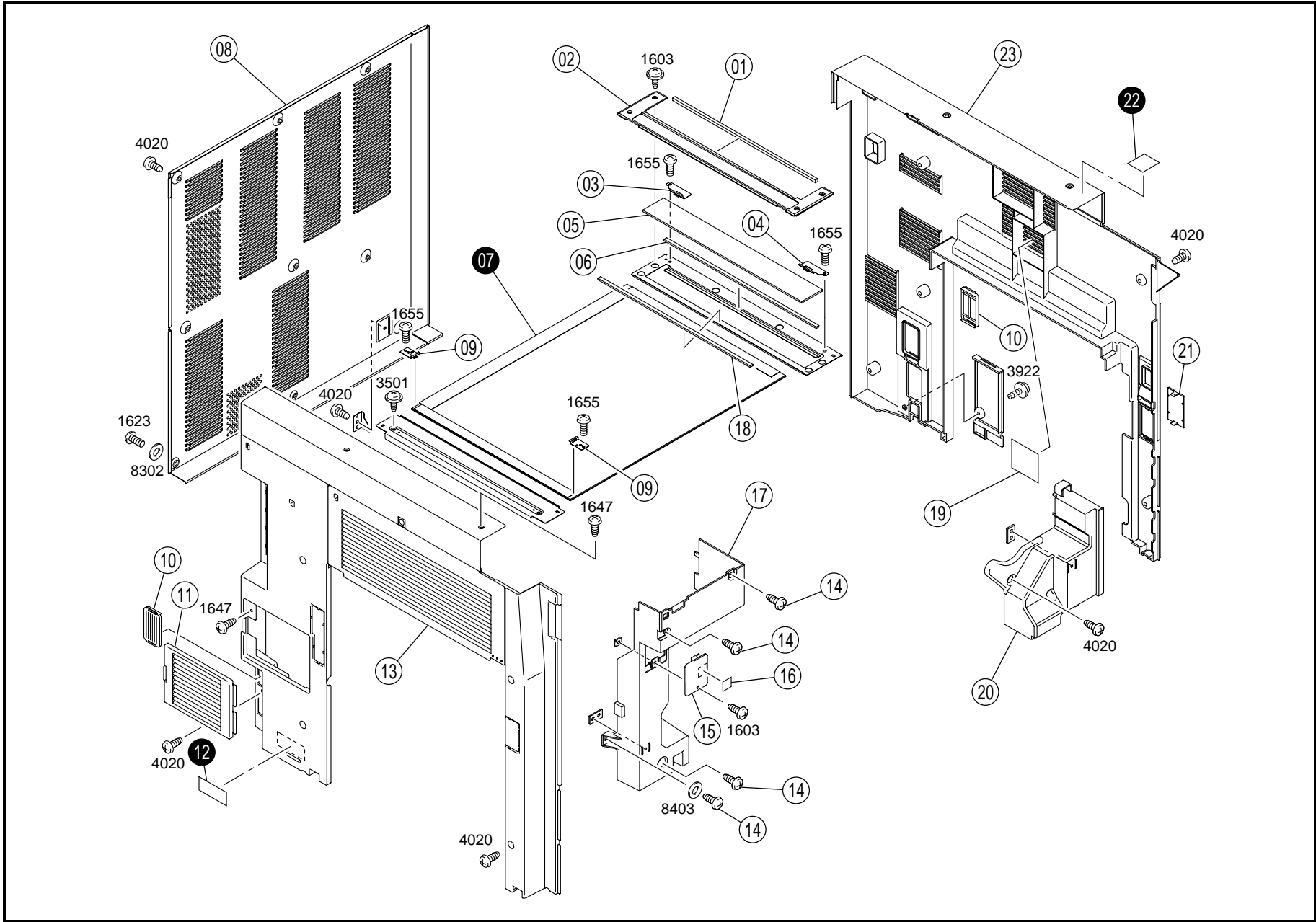
CONTENTS

- 1. HOUSING (A)..... 1
- 2. HOUSING (B)..... 3
- 3. OPTICAL FRAMES..... 5
- 4. FRAME (A)..... 7
- 5. FRAME (B)..... 9
- 6. LENS/SCANNER SECTION ..... 11
- 7. DRIVE SECTION ..... 13
- 8. PAPER TAKE-UP SECTION (A) ..... 15
- 9. PAPER TAKE-UP SECTION (B) ..... 17
- 10. MANUAL FEED SECTION (A) ..... 19
- 11. MANUAL FEED SECTION (B) ..... 21
- 12. HOPPER SECTION..... 23
- 13. DEVELOPING UNIT (A)..... 25
- 14. DEVELOPING UNIT (B)..... 27
- 15. TRANSPORT SECTION..... 29
- 16. CORONA SECTION ..... 31
- 17. VACUUM SECTION..... 33
- 18. FUSING UNIT (A) ..... 35
- 19. FUSING UNIT (B) ..... 37
- 20. TURNOVER SECTION ..... 39
- 21. PAPER EXIT SECTION ..... 41
- 22. ELECTRICAL COMPONENTS (A)..... 43
- 23. ELECTRICAL COMPONENTS (B)..... 45
- 24. PAPER TRAY UNIT ..... 47
- 25. WIRING ACCESSORIES AND JIGS ..... 49
- 26. SCREWS AND WASHERS..... 51
- 27. NUMERICAL INDEX ..... 52

AUGUST 2000



INDEX	PART NO.	PART NAME	REC	QTY	INDEX	PART NO.	PART NAME	REC	QTY
01	4002-1603-01	HOLDER		1					
02	1171-1125-02	COVER		1					
03	4002-1605-01	SEAL		1					
04	4002-1604-01	ORIGINAL COVER MAT		1					
05	4002-1602-01	HINGE		1					
06	4002-1601-01	HINGE		1					
07	4002-1606-01	SHOULDER SCREW		2					
08	4002-1003-01	COVER		1					
09	1053-3103-01	PLATE		4					
10	4002-1012-01	SET PLATE		2					
11	1054-5101-02	BAND		2					
12	1155-7320-12	LABEL ADJUST		1					
14	4002-7316-01	LABEL		1					
15	4002-7305-01	LABEL		1					
16	4002-1001-01	FRONT COVER		1					
19	4002-7304-02	LABEL		1					
20	1136-1046-01	PLATE		1					
22	4002-7303-02	LABEL		1					
INDEX	PART NO.	PART NAME	REC	QTY	SFIX				
13	4003-7301-01	LABEL		1	011, 211, 212, 214, 218, 313, 314				
17	4002-0113-02	CONTROL PANEL ASSY	RP	1	011				
17	4002-0114-02	CONTROL PANEL ASSY	RP	1	212, 214, 218, 311, 312, 313, 314				
17	4002-0115-02	CONTROL PANEL ASSY	RP	1	211				
18	1139-7328-01	LABEL AVOID		1	312				
21	4002-7321-01	LABEL		1	011				
21	4002-7322-01	LABEL		1	212, 214, 218, 311, 312, 313, 314				
21	4002-7323-01	LABEL		1	211				
23	1136-7320-02	LABEL		1	011				
24	4003-7325-01	LABEL		1	311, 312				

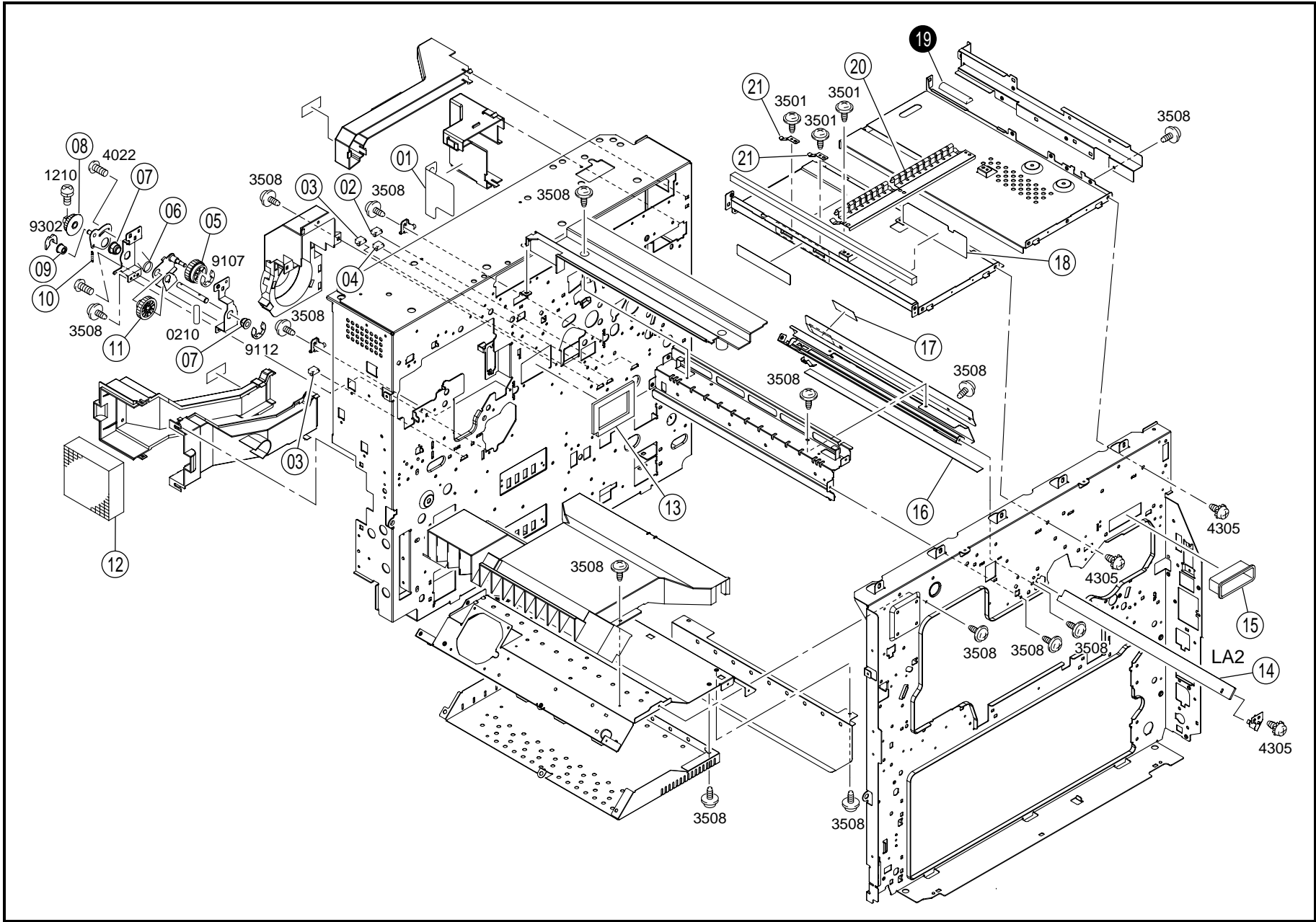


INDEX	PART NO.	PART NAME	REC	QTY	INDEX	PART NO.	PART NAME	REC	QTY
01	1155-1618-01	CUSHION		1	21	1174-1015-01	COVER		1
02	4002-1310-02	GUIDE		1	23	4002-1004-03	COVER		1
03	1155-1610-01	SUPPORT PLATE		1					
04	1155-1609-01	SUPPORT PLATE		1					
05	1155-1602-03	ORIGINAL GLASS		1					
06	1155-1630-01	SPONGE		1					
08	4002-1002-01	COVER		1					
09	4002-1317-01	SET PLATE		2					
10	9384-2310-41	COVER		2					
11	4002-1006-01	COVER		1					
13	4002-1005-02	COVER		1					
14	4002-2581-01	SCREW		4					
15	1156-1027-01	COVER		1					
16	1075-7345-01	SEAL		1					
17	4002-1020-01	COVER		1					
18	1155-1631-01	POLYESTER FILM		1					
19	4002-1043-01	FILTER		1					
20	4002-1041-01	COVER		1					
INDEX	PART NO.	PART NAME	REC	QTY	SFIX				
07	1155-0155-03	ORIGINAL GLASS		1	011, 313				
07	1155-0156-03	ORIGINAL GLASS		1	214, 311, 312				
07	1155-0157-03	ORIGINAL GLASS		1	211, 212, 218, 314				
12	0818-7319-01	LABEL CAUTION		1	211				
22	4002-7315-02	LABEL		1	011				

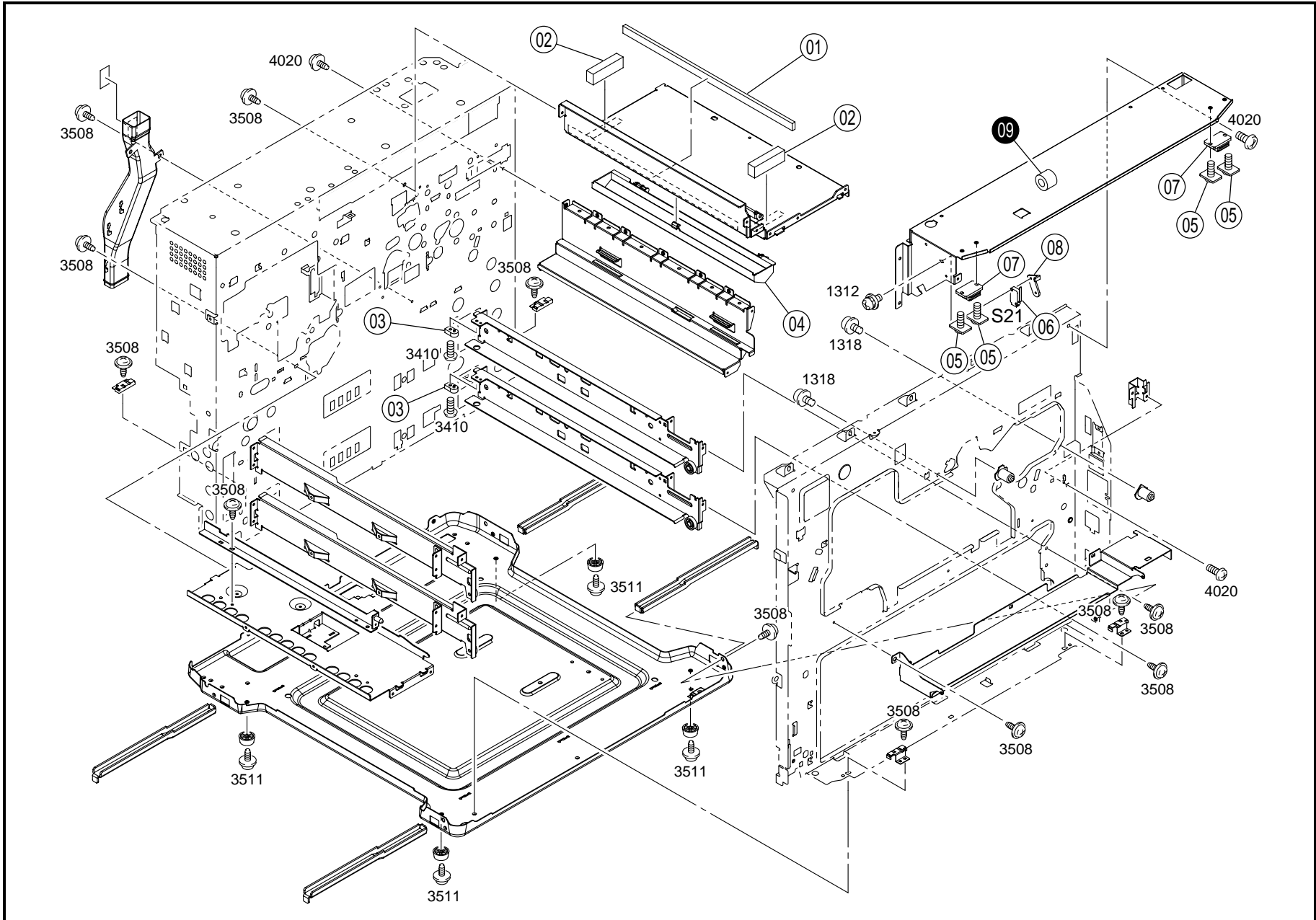




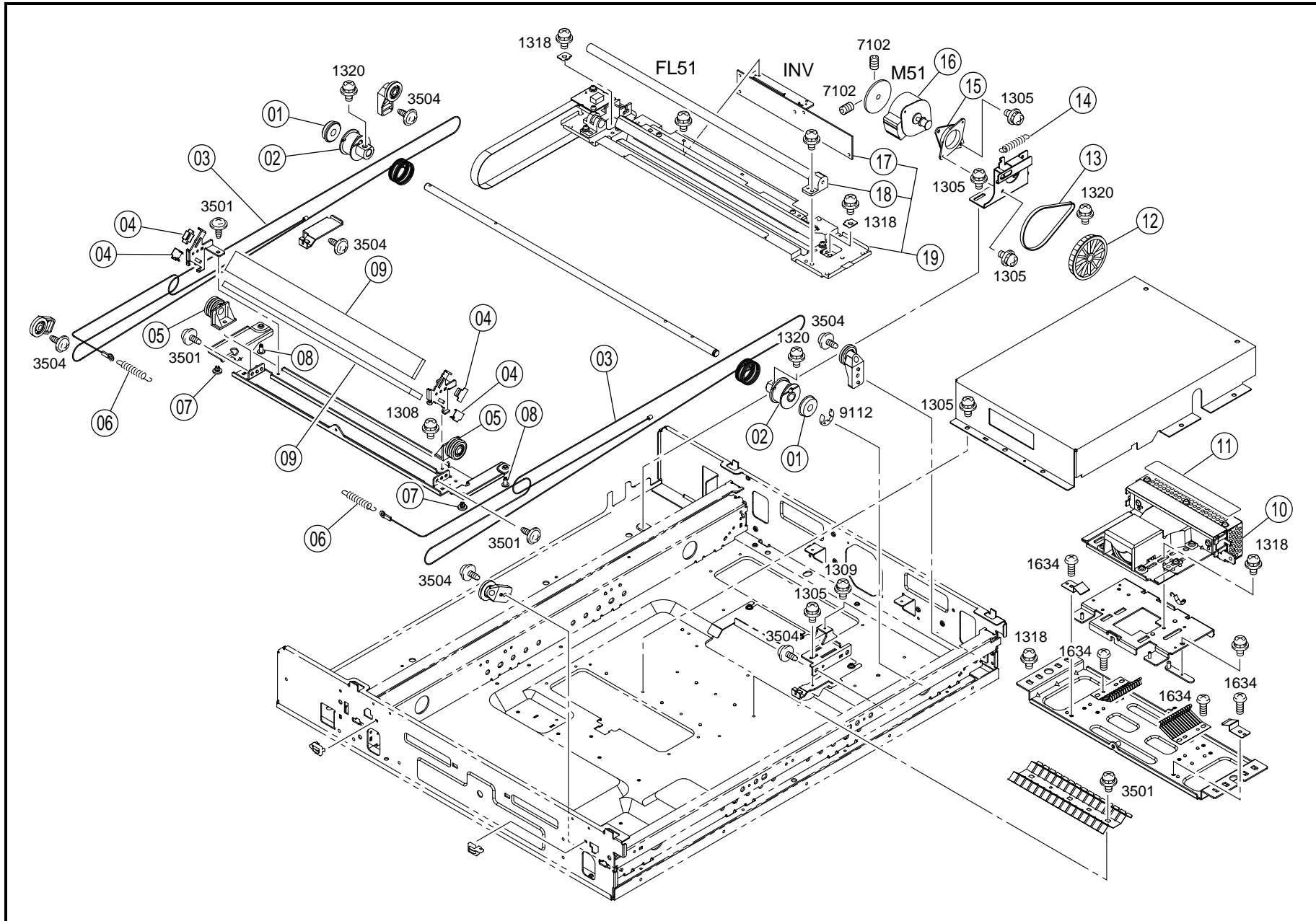
INDEX	PART NO.	PART NAME	REC	QTY	INDEX	PART NO.	PART NAME	REC	QTY
01	4002-1315-01	PROTECTION		2					
02	4002-1433-01	PROTECTION		1					
03	4002-1434-02	MEMBER		1					
04	1155-1619-01	CUSHION		4					
05	4002-1368-01	FILTER		1					
06	4002-1369-01	FILTER		1					
07	1139-1724-01	TORSION SPRING		1					
08	4002-0902-01	PHOTO INTERRUPTER		1			ORIG COVER (PC52)		
10	4002-1329-01	SEAL		1					
11	4002-1319-01	CUSHION		1					
13	9335-1910-81	SOLID STATE SWITCH		1			SIZE (PC56)		
14	4002-0105-03	PWB ASSY	RP	1			SCP (PWB-IC)		
16	9335-1310-11	PHOTO INTERRUPTER		1			SIZE (PC54)		
18	4002-1320-01	CUSHION		2					
20	9335-1310-41	PHOTO INTERRUPTER		1			SCANNER (PC51)		
21	9334-2610-11	REED SWITCH		1			SIZE RESET (S51)		
22	9313-1911-41	FAN MOTOR		1			COLLING (M52)		
INDEX	PART NO.	PART NAME	REC	QTY	SFIX				
09	4002-6209-01	MAGNETIC MEMBER		1	211, 212, 214, 218, 311				
12	9335-1910-81	SOLID STATE SWITCH		1	011, 211, 218, 311, 312, 313				
12	9335-1910-81	SOLID STATE SWITCH		1	212, 214, 314				
15	9335-1910-71	SOLID STATE SWITCH		1	311, 312				
15	9335-1910-71	SOLID STATE SWITCH		1	011, 211, 212, 214, 218, 313, 314				
17	9335-1310-11	PHOTO INTERRUPTER		1	011, 211, 218, 311, 313				
17	9335-1310-11	PHOTO INTERRUPTER		1	212, 214, 314				
19	4002-6210-01	MAGNETIC MEMBER		2	211, 212, 214, 218, 313				
23	9384-2910-11	CN COVER		1	011, 212, 214, 218, 313, 314				
24	9326-1910-21	FERRITE CORE		1	211, 212, 214, 218, 313				



INDEX	PART NO.	PART NAME	REC	QTY	INDEX	PART NO.	PART NAME	REC	QTY
01	4002-2037-01	DUCT		1	20	4002-2417-01	PLATE SPRING		1
02	9383-2910-11	PLUG HOUSING		1	21	4002-2404-01	EARTH GROUND		2
03	9383-2310-31	CONNECTOR 4P		2					
04	9383-2210-41	CONNECTOR 3P		1					
05	4002-2521-01	GEAR		1					
06	4002-2537-01	TORSION SPRING		1					
07	4002-2542-01	BUSHING		2					
08	4002-2517-01	GEAR		1					
09	1274-2605-01	PULLEY 14T		1					
10	4002-2538-01	TENSION SPRING		1					
11	4002-2522-01	GEAR		1					
12	1136-4018-01	OZONE FILTER	RP	1					
13	1156-4013-01	SEAL		1					
14	9351-1410-11	TUBE LAMP	RP	1			MAIN ERASE (LA2)		
15	4002-5253-01	COVER		1					
16	1136-4513-01	FILTER		1					
17	1136-3406-01	POLYESTER FILM		1					
18	4002-2035-01	SEAL		1					
INDEX	PART NO.	PART NAME	REC	QTY	SFIX				
19	4002-6210-01	MAGNETIC MEMBER		1	211, 212, 214, 218, 313				

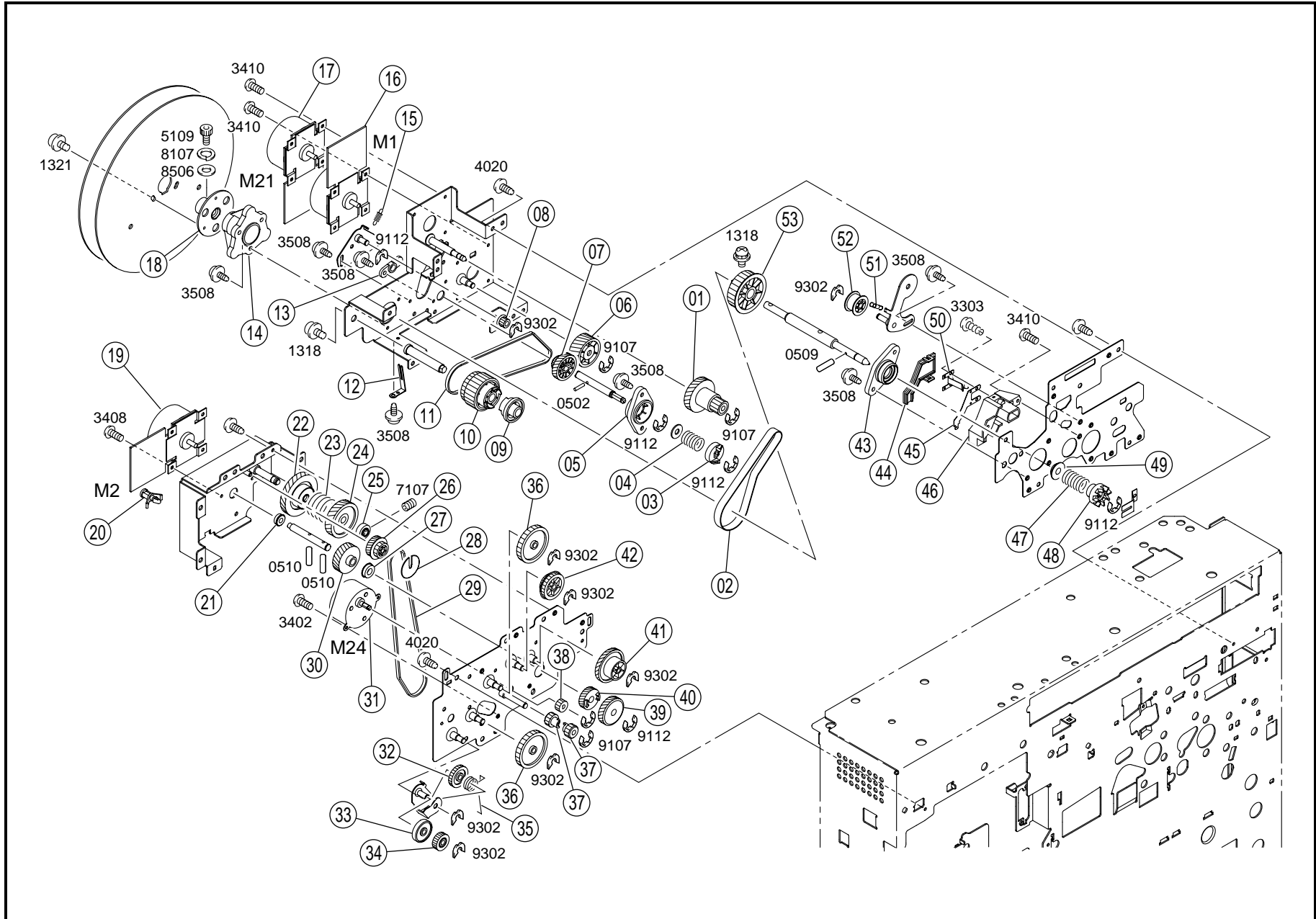


INDEX	PART NO.	PART NAME	REC	QTY	INDEX	PART NO.	PART NAME	REC	QTY
01	4002-2039-01	SEAL		1					
02	4002-2038-01	SEAL		2					
03	4002-3125-01	HOLDER		2					
04	4002-2014-01	COVER		1					
05	1053-1324-01	TAPPING SCREW		4					
06	9331-2710-11	MICRO SWITCH		1			FRONT DOOR (S21)		
07	1500-2640-04	MAGNET CATCH		2					
08	1076-1203-02	PLATE NUT		1					
INDEX	PART NO.	PART NAME	REC	QTY	SFIX				
09	9326-1610-21	FERRITE CORE		1	211, 212, 214, 218, 313				



INDEX	PART NO.	PART NAME	REC	QTY	INDEX	PART NO.	PART NAME	REC	QTY
01	4002-1456-01	BUSHING		2	19	4002-0151-01	EXPOSURE UNIT		1
02	4002-1452-01	PULLEY		2					
03	4002-1451-01	WIRE		2					
04	4002-1423-01	HOLDER		4					
05	4002-1424-01	PULLEY ASSY		2					
06	4002-1468-01	TENSION SPRING		2					
07	4002-1480-01	BUSHING		2					
08	4002-1481-01	BUSHING		2					
09	4002-1422-02	MIRROR		2					
10	4002-0306-02	CCD UNIT		1					
11	4002-6206-01	MAGNETIC MEMBER		1					
12	4002-1453-01	PULLEY		1					
13	4002-1454-01	TIMING BELT		1					
14	4002-1458-01	TENSION SPRING		1					
15	4002-1471-01	CUSHION		1					
16	9314-1910-81	MOTOR		1					
17	4002-7802-01	PWB ASSY		1					
18	4002-7801-01	LAMP	RP	1					
		SCANNER (M51)		1					
		INVERTER (INV)		1					
		EXPOSURE (FL51)		1					

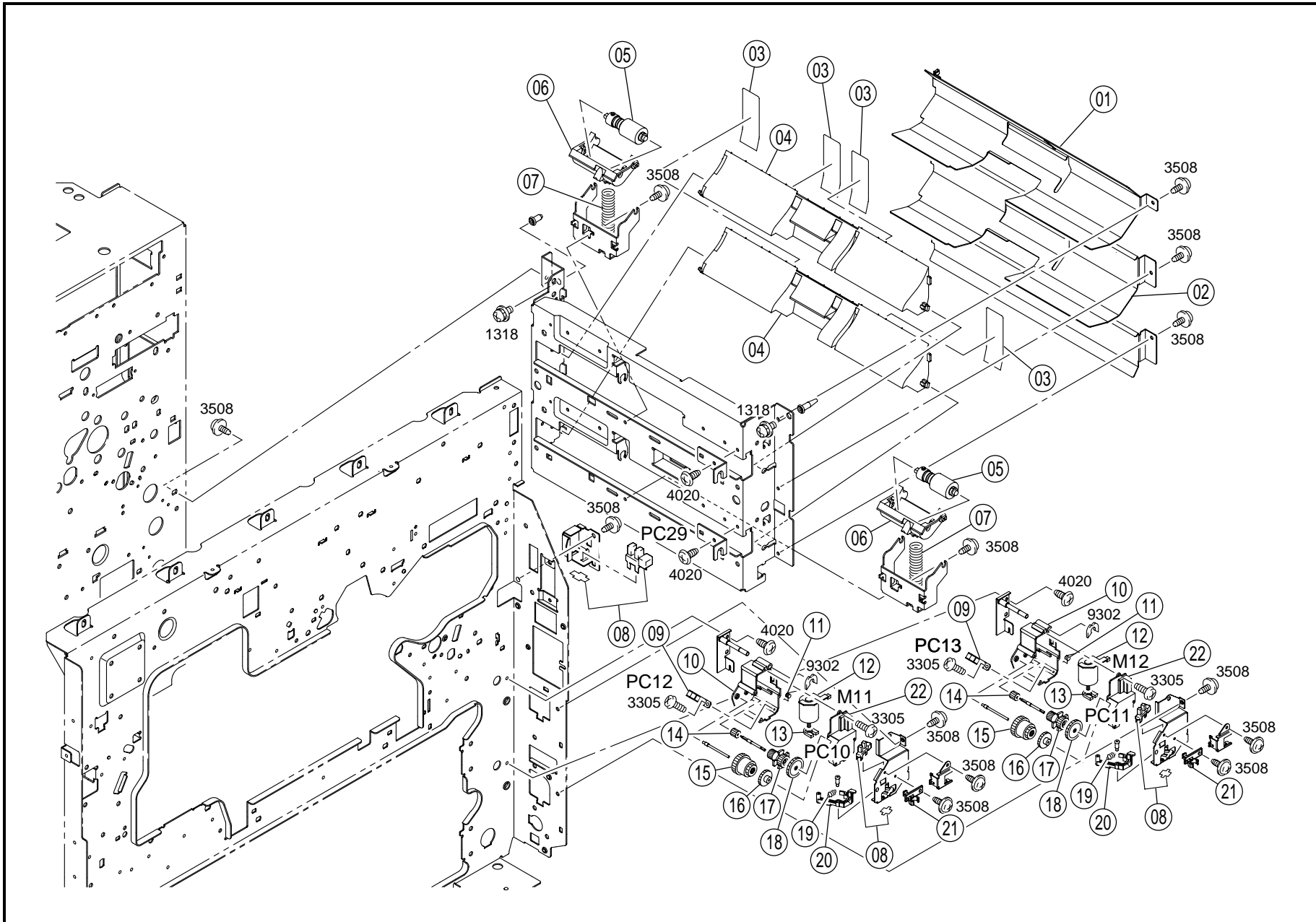
INDEX	PART NO.	PART NAME	REC	QTY	SFIX



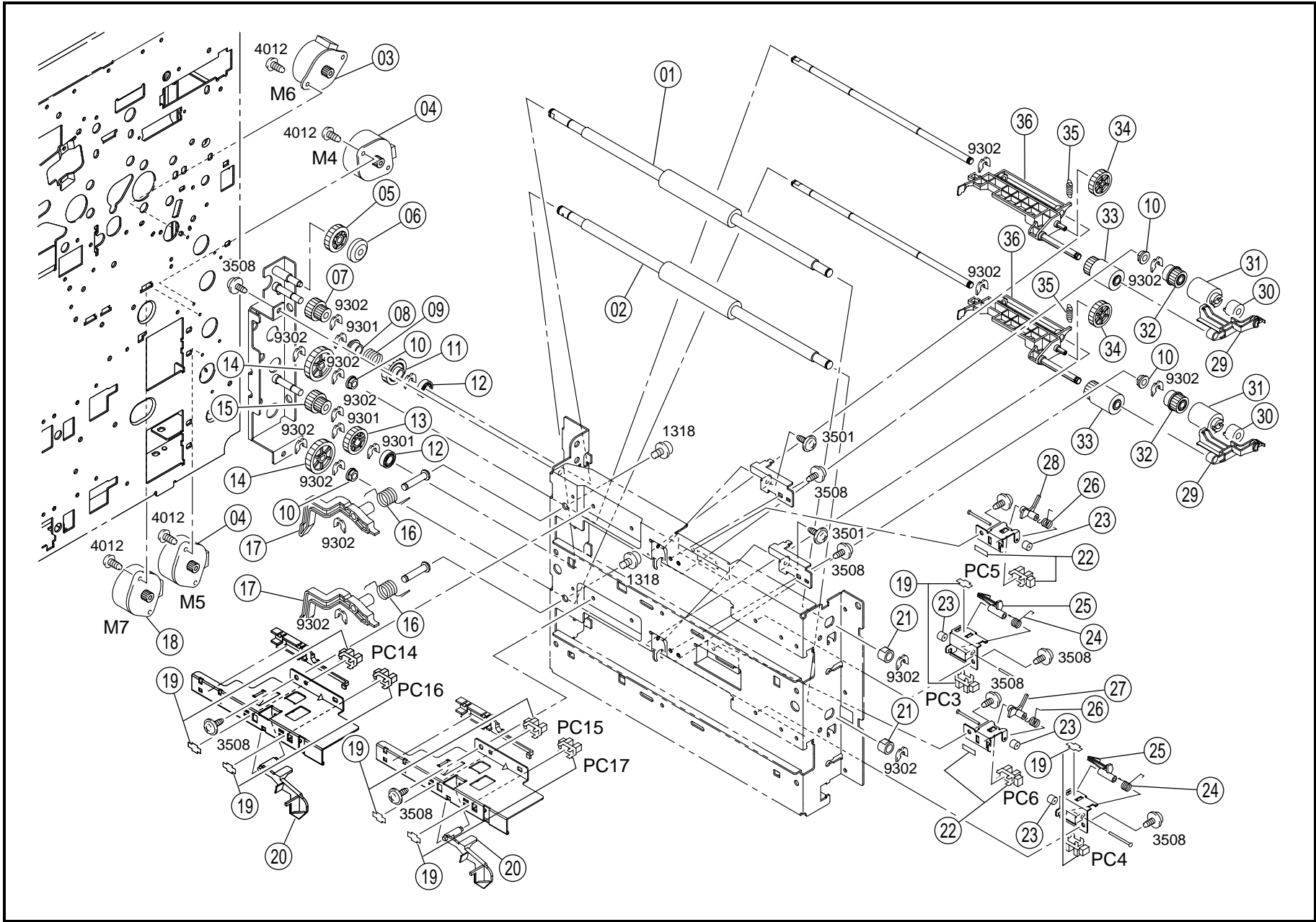


INDEX	PART NO.	PART NAME	REC	QTY	INDEX	PART NO.	PART NAME	REC	QTY
01	4002-2557-01	GEAR		1	28	4002-2580-01	FLANGE		1
02	4002-2566-01	TIMING BELT		1	29	4002-2528-01	BELT		1
03	1136-2528-01	PAWL		1	30	4002-2540-01	GEAR		1
04	1400-1185-10	PRESSURE SPRING		1	31	9311-3910-11	MOTOR CLEANING WE (M24)		1
05	4002-2578-01	BUSHING		1	32	4002-2544-01	GEAR		1
06	4002-2565-01	GEAR		1	33	4002-2531-01	SPACER		1
07	4002-2564-01	GEAR		1	34	4002-2501-01	GEAR		1
08	1067-2566-01	PULLEY 18T		1	35	4002-2536-02	TORSION SPRING		1
09	1136-5507-01	CAM		1	36	4002-2543-02	GEAR		2
10	4002-2563-01	GEAR		1	37	4002-2525-01	GEAR		2
11	4002-2567-01	TIMING BELT		1	38	4002-2541-01	GEAR		1
12	4002-2575-01	PLATE SPRING		1	39	4002-2506-01	GEAR		1
13	1065-2753-01	BUSHING		1	40	4002-2545-02	GEAR		1
14	4002-2568-01	HOLDER		1	41	4002-2507-02	GEAR		1
15	4002-2577-01	TENSION SPRING		1	42	4002-2509-02	GEAR		1
16	9314-2910-81	MOTOR DEVELOPING U (M1)		1	43	4002-2571-01	HOLDER		1
17	9314-2910-71	MOTOR PC DRUM (M21)		1	44	4002-5033-01	LID		1
18	1155-2503-01	HOLDER		1	45	4002-5032-01	TERMINAL		1
19	9314-2910-91	MOTOR FUSING (M2)		1	46	4002-5030-01	HOLDER		1
20	9384-1621-21	PWB SUPPORT 6.4H		1	47	4002-2552-01	SPRING		1
21	1300-4342-07	BALL BEARING		1	48	4002-2551-01	PAWL		1
22	4002-2502-01	GEAR		1	49	4002-2555-01	HOLDER		1
23	4002-2582-01	TORSION SPRING		1	50	4002-5031-01	TERMINAL		1
24	4002-2503-02	GEAR		1	51	4002-2574-02	TENSION SPRING		1
25	1200-3434-03	COLLAR		1	52	1136-2530-02	PULLEY		1
26	4002-2523-01	GEAR		1	53	4002-2556-01	PULLEY		1
27	4002-2546-01	BALL BEARING		1					

INDEX	PART NO.	PART NAME	REC	QTY	SFIX

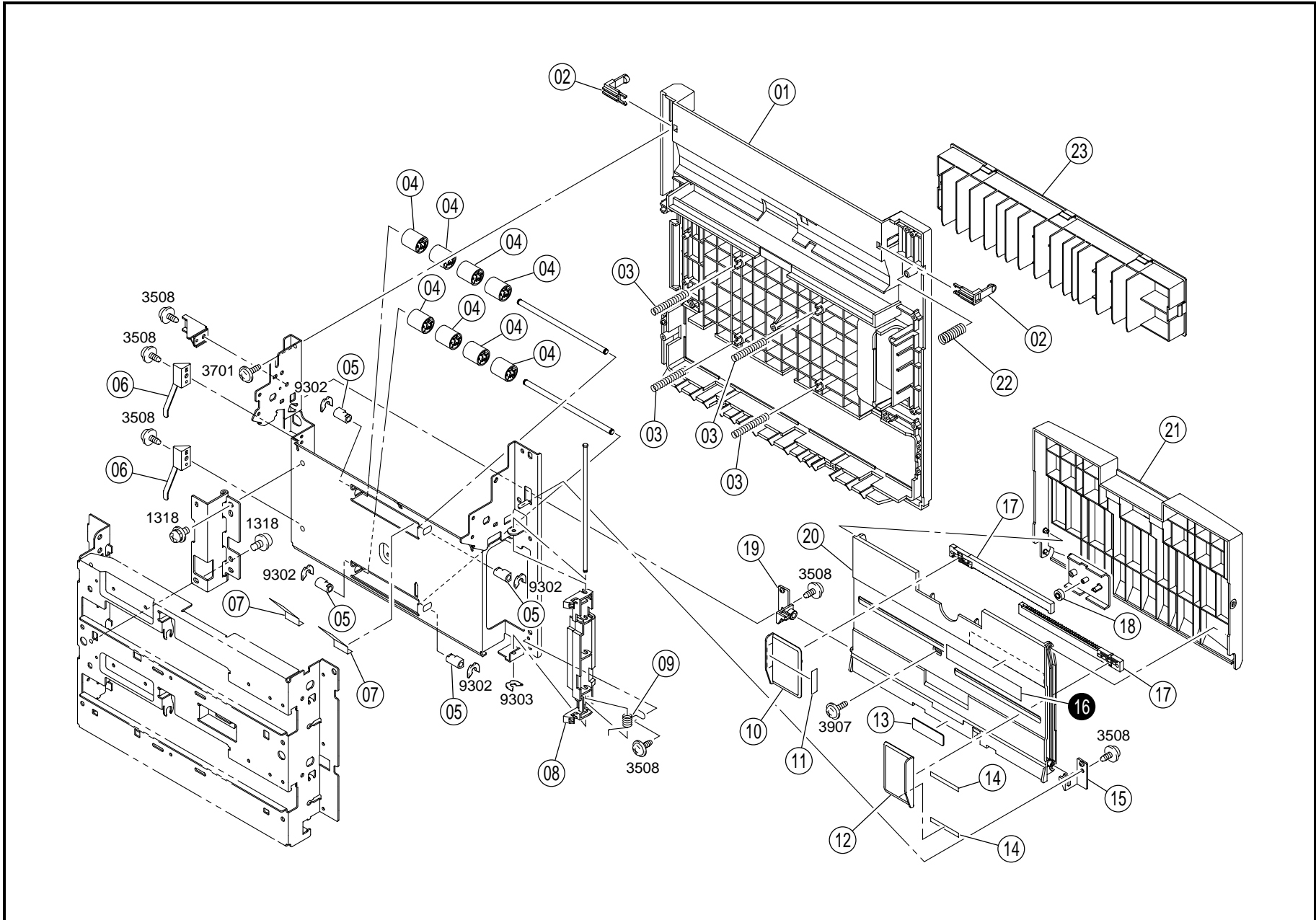




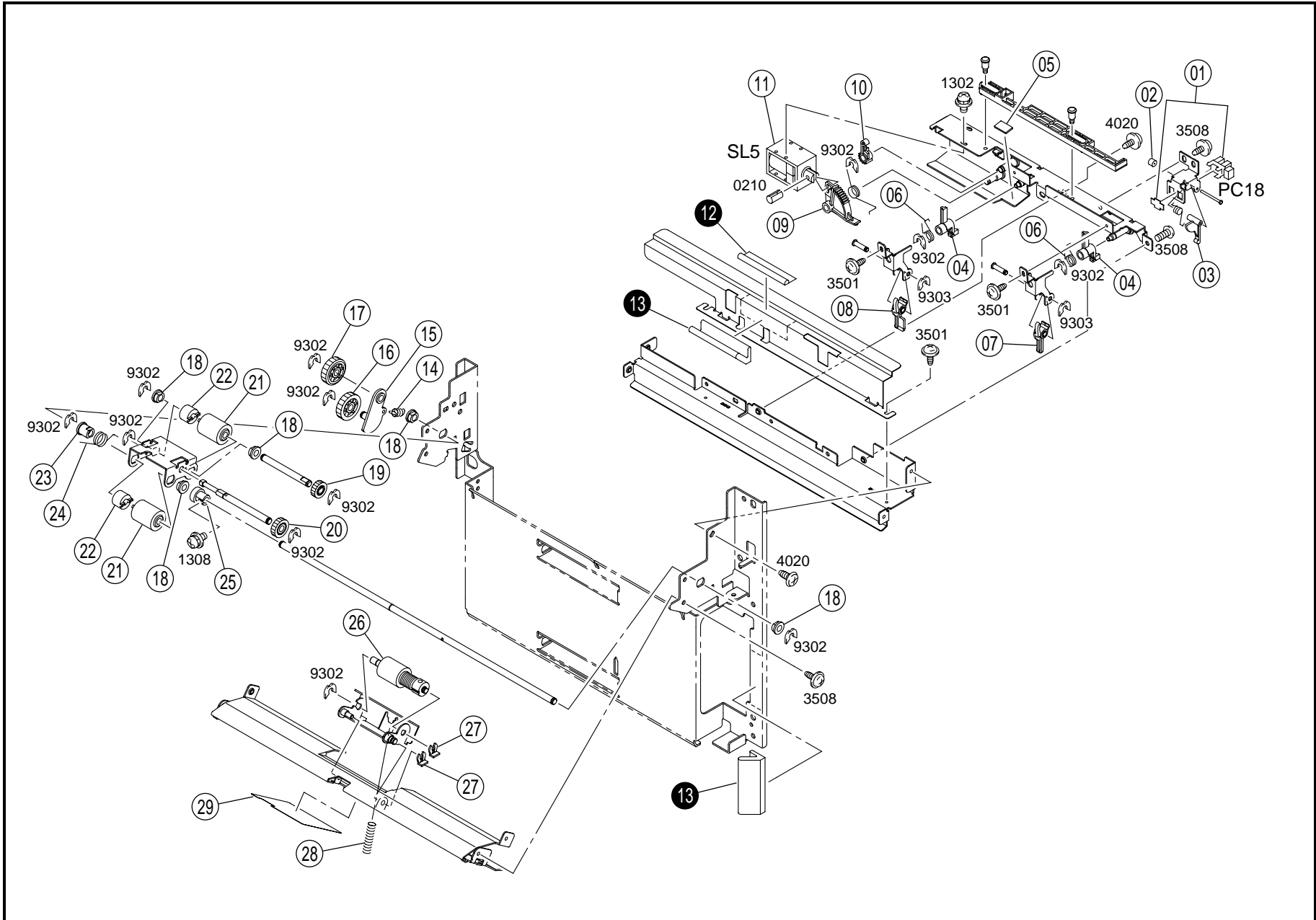


INDEX	PART NO.	PART NAME	REC	QTY	INDEX	PART NO.	PART NAME	REC	QTY
01	4002-3306-01	ROLLER		1	19	4002-0902-01	PHOTO INTERRUPTER (PC5.6.14-17)		6
02	4002-3305-01	ROLLER		1	20	4002-3208-02	LEVER		2
03	9314-1000-41	MOTOR VERT TRANS (M6)		1	21	1200-3134-16	BUSHING		2
04	9314-1911-43	MOTOR TAKE-UP (M4.5)		2	22	4122-0901-01	PHOTO INTERRUPTER TAKE-UP (PC3.4)		2
05	4002-3343-01	GEAR		1	23	1200-2105-05	COLLAR		4
06	4002-3325-01	COLLAR		1	24	4002-3330-01	TORSION SPRING		2
07	4002-3340-01	GEAR		1	25	4002-3321-01	ACTUATOR		2
08	4002-3326-01	COLLAR		1	26	4425-3032-01	TORSION SPRING		2
09	4425-3130-01	CLUTCH SPRING		1	27	4425-3626-01	ACTUATOR		1
10	1159-1938-01	BUSHING		4	28	4002-3322-01	ACTUATOR		1
11	4002-3339-01	GEAR		1	29	4002-3214-05	GUIDE		2
12	1273-3516-01	BALL BEARING		2	30	4002-3217-01	CLUTCH		2
13	4002-3338-01	GEAR		1	31	4002-3216-01	ROLLER	RP	2
14	4002-3341-01	GEAR		2	32	4002-3203-01	GEAR		2
15	4002-3342-01	GEAR		1	33	4002-3201-01	ROLLER	RP	2
16	4002-3212-01	TORSION SPRING		2	34	4002-3209-01	GEAR		2
17	4002-3211-02	LEVER		2	35	4002-3205-01	TENSION SPRING		2
18	9314-1000-51	MOTOR VERT TRANS (M7)		1	36	4002-3206-03	HOLDER		2

INDEX	PART NO.	PART NAME	REC	QTY	SFIX

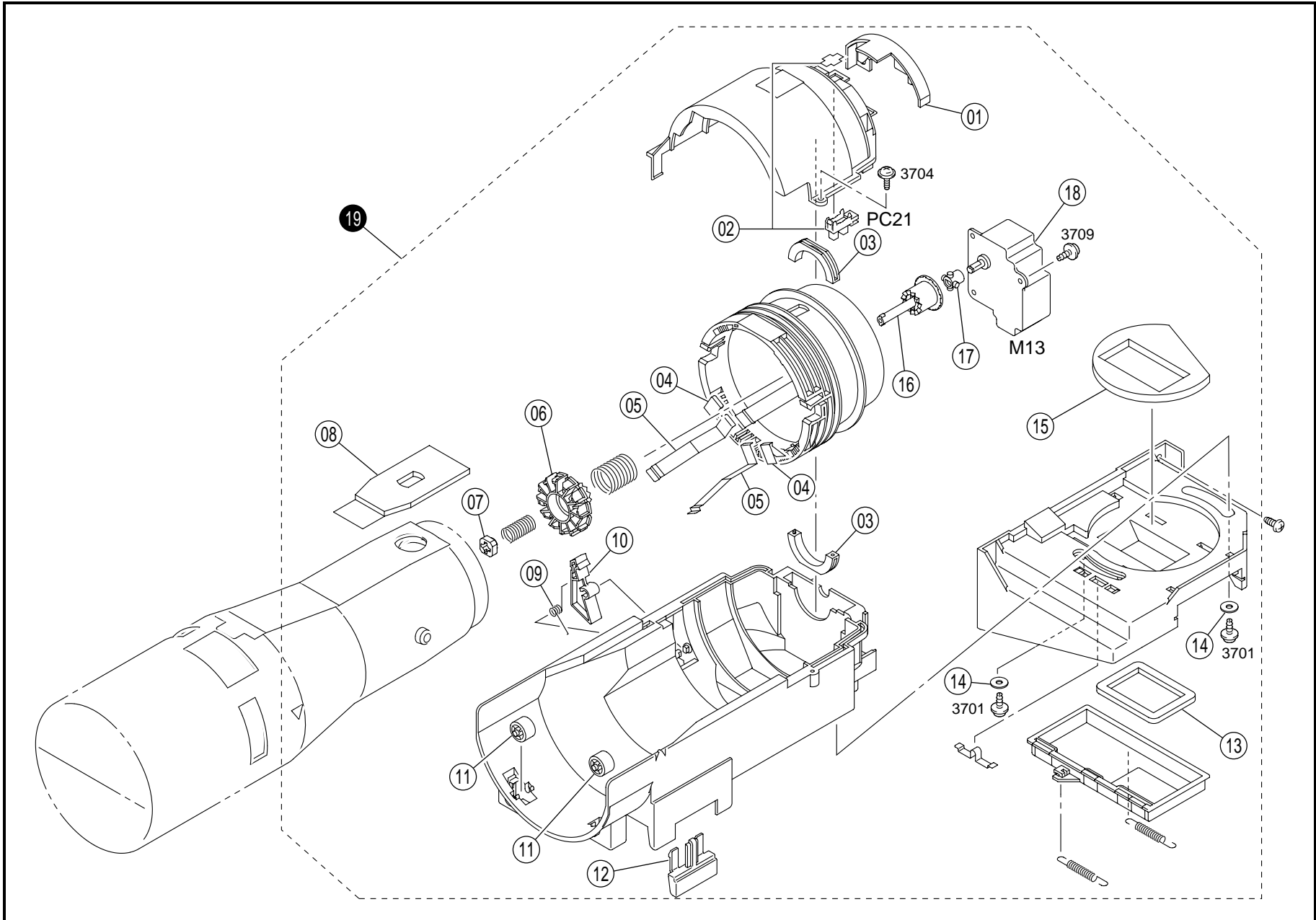


INDEX	PART NO.	PART NAME	REC	QTY	INDEX	PART NO.	PART NAME	REC	QTY
01	4002-3307-03	DOOR		1	20	4002-3407-01	TABLE		1
02	4002-3337-02	LEVER		2	21	4002-3408-02	COVER		1
03	4002-3320-02	PRESSURE SPRING		4	22	1149-3454-01	PRESSURE SPRING		1
04	4425-3103-12	ROLL		8	23	4002-3327-01	GUIDE		1
05	4002-3331-02	BUSHING		4					
06	4002-3318-01	STOPPER		2					
07	4002-3345-01	GUIDE		2					
08	4002-3335-01	LEVER		1					
09	4002-3336-01	TORSION SPRING		1					
10	4002-3413-01	GUIDE		1					
11	4002-7312-01	LABEL		1					
12	4002-3414-01	GUIDE		1					
13	1052-5409-01	CORK		1					
14	1065-3169-01	SLIDER		2					
15	1136-3435-04	SUPPORT		1					
17	1021-4429-02	RACK GEAR		2					
18	4550-3457-01	GEAR 10T		1					
19	1136-3437-03	SUPPORT		1					
INDEX	PART NO.	PART NAME	REC	QTY	SFIX				
16	4002-7310-01	LABEL		1	011, 211, 212, 218, 313, 314				
16	4002-7311-01	LABEL		1	214, 311, 312				

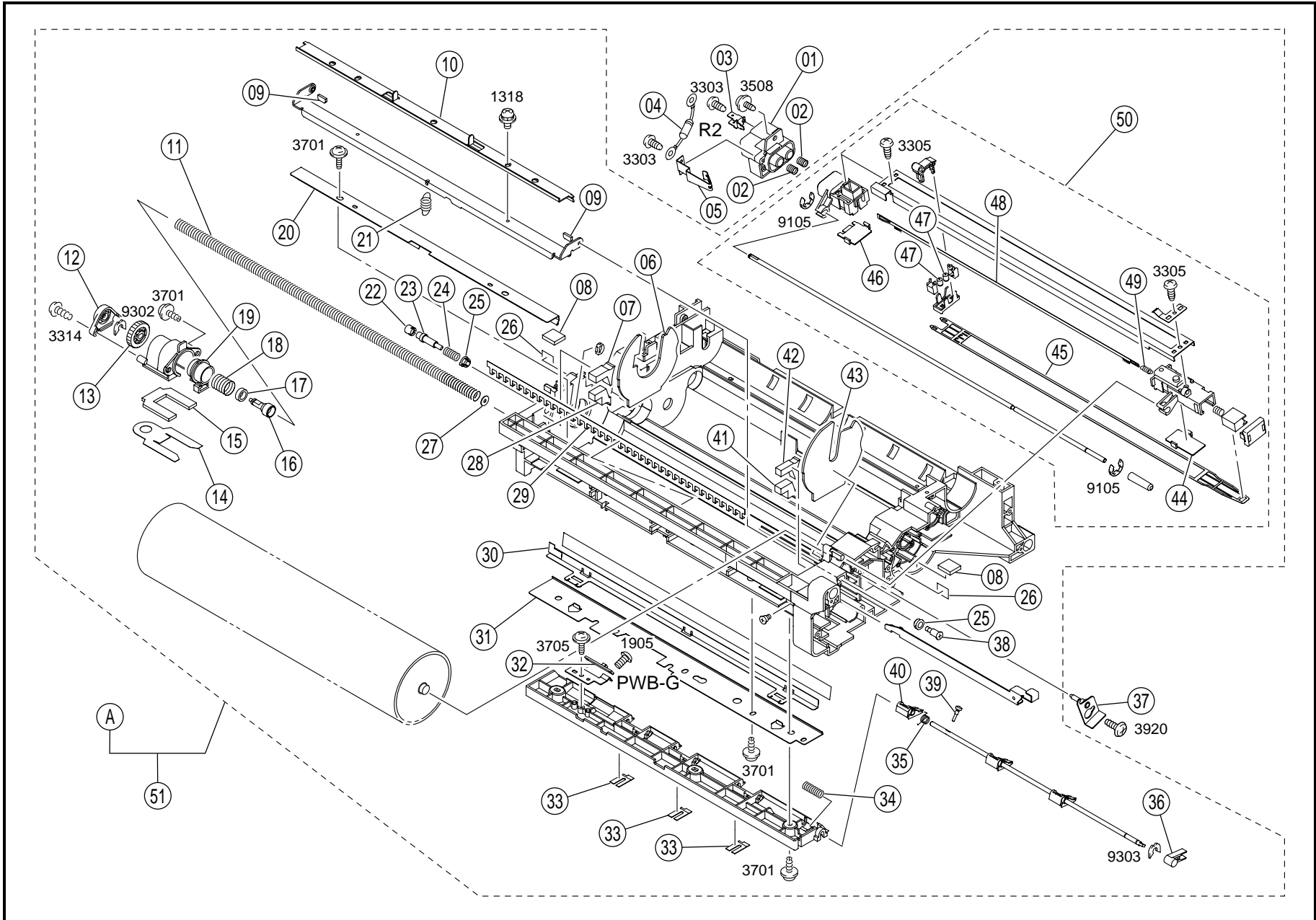




INDEX	PART NO.	PART NAME	REC	QTY	INDEX	PART NO.	PART NAME	REC	QTY
01	4002-0902-01	PHOTO INTERRUPTER PAPER EMPT (PC18)		1	21	4002-3216-01	ROLLER		2
02	1200-2105-05	COLLAR		1	22	4002-3217-01	CLUTCH		2
03	1075-3356-02	ACTUATOR		1	23	1200-3225-11	BUSHING		1
04	1154-3322-01	PAWL		2	24	4002-3418-01	TORSION SPRING		1
05	1139-3349-01	RUBBER STRIP		1	25	1139-3354-01	GEAR 17T		1
06	1139-3369-01	TORSION SPRING		2	26	1136-0162-01	ROLLER	RP	1
07	1075-3389-01	STOPPER		1	27	1033-4402-01	STOPPER RING		1
08	1075-3390-01	LEVER		1	28	1136-3409-01	PRESSURE SPRING		1
09	1139-3348-02	SEGMENT GEAR		1	29	4002-3409-01	SEAL		1
10	1139-3370-01	GEAR 14T		1					
11	9321-2810-31	SOLENOID MAN PICK-UP (SL5)		1					
14	4002-3315-01	TENSION SPRING		1					
15	4002-3314-01	LEVER		1					
16	4002-3415-01	GEAR		1					
17	4002-3416-01	GEAR		1					
18	1159-1938-01	BUSHING		5					
19	1139-3367-01	GEAR 19T		1					
20	1139-3318-01	GEAR 22T		1					
INDEX	PART NO.	PART NAME	REC	QTY	SFIX				
12	4002-6208-01	MAGNETIC MEMBER		1	211, 212, 214, 218, 313				
13	4002-6203-01	MAGNETIC MEMBER		2	211, 212, 214, 218, 313				

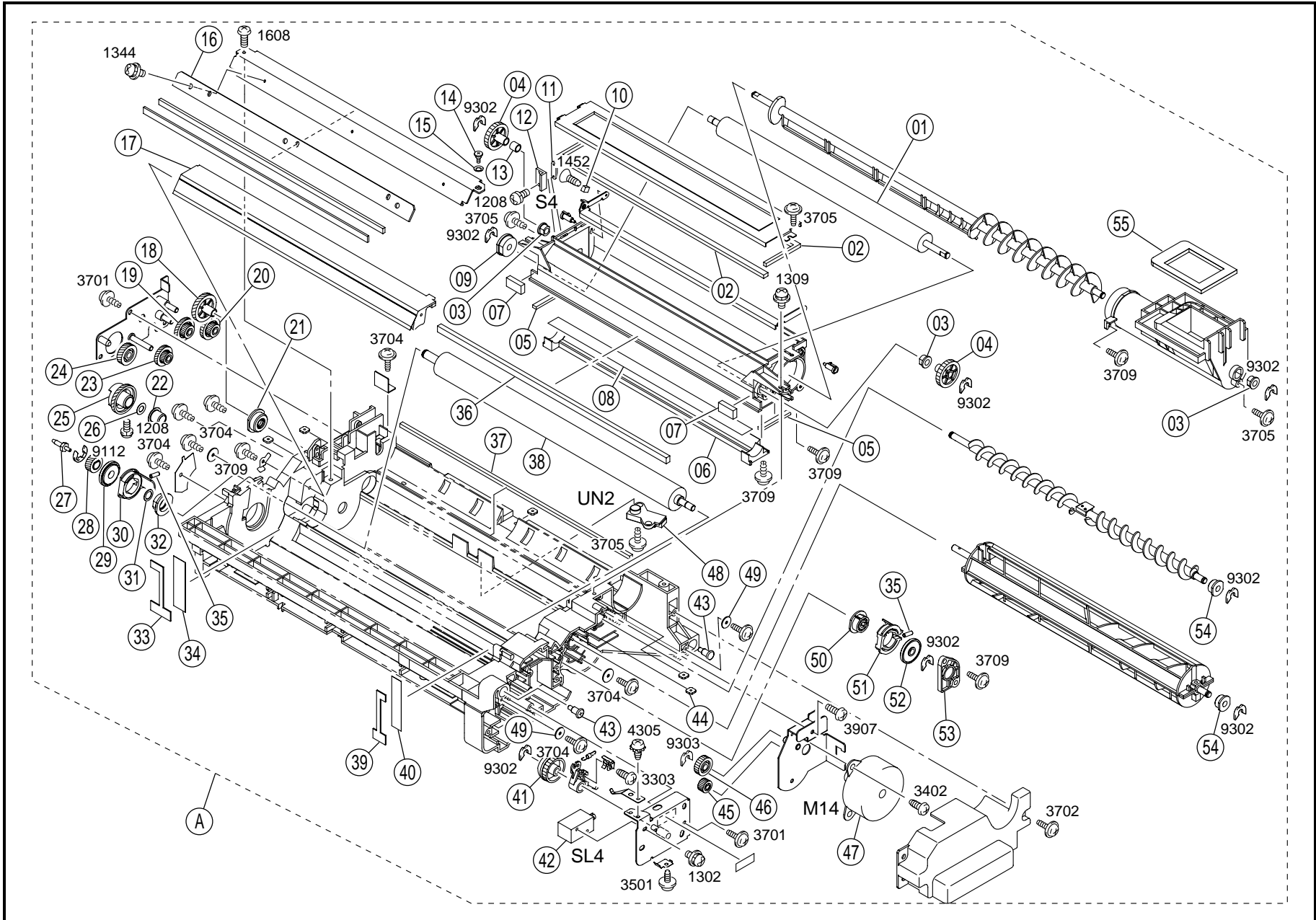


INDEX	PART NO.	PART NAME	REC	QTY	INDEX	PART NO.	PART NAME	REC	QTY
01	4002-5258-01	COVER		1					
02	4002-0902-01	PHOTO INTERRUPTER		1					
03	1139-5023-01	SUPPORT		2					
04	1136-5240-01	POLYESTER FILM		2					
05	1136-5234-01	PLATE SPRING		2					
06	4002-5203-01	JOINT		1					
07	1156-5106-01	COLLAR		1					
08	4101-5206-01	SEAL		1					
09	1139-5022-01	TORSION SPRING		1					
10	1136-5235-01	LOCK LEVER		1					
11	1038-4701-01	ROLL		2					
12	1139-5020-02	LEVER		1					
13	4002-5254-01	SEAL		1					
14	1200-1431-01	WASHER		2					
15	1136-5212-01	SPONGE		1					
16	4114-5202-02	JOINT		1					
17	4002-5259-01	PIN		1					
18	9312-1910-21	MOTOR		1					
		MAIN REPLEW (M13)							
INDEX	PART NO.	PART NAME	REC	QTY	SFIX				
19	4002-0316-02	HOPPER UNIT		1	011, 211				
19	4002-0317-02	HOPPER UNIT		1	212, 214, 218, 311, 312, 313, 314				



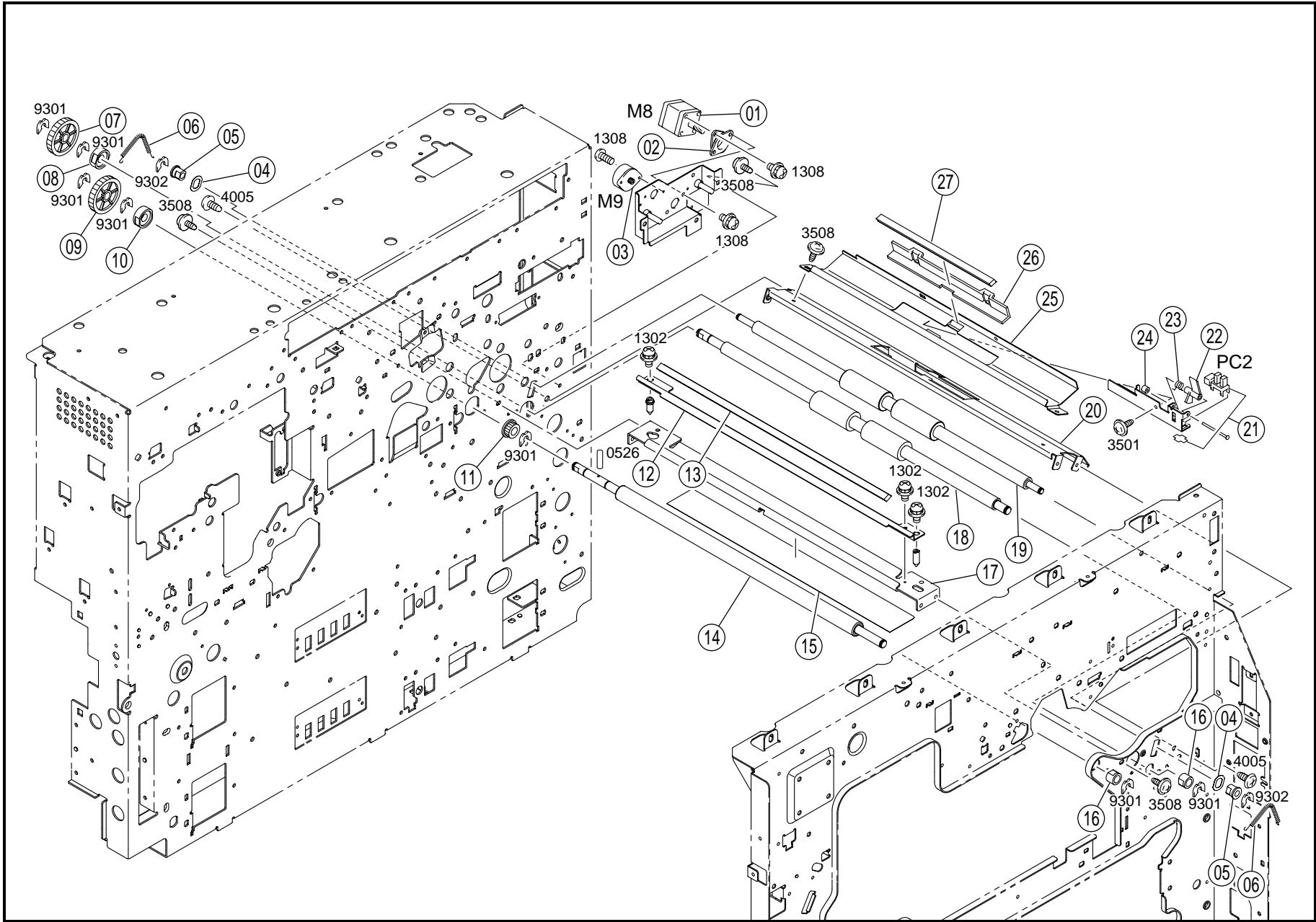
INDEX	PART NO.	PART NAME	REC	QTY	INDEX	PART NO.	PART NAME	REC	QTY
01	1136-4112-03	HOLDER		1	27	1036-5514-01	WASHER		1
02	1400-1122-10	PRESSURE SPRING		2	28	1136-4204-02	SPONGE		1
03	1136-4113-01	TERMINAL		1	29	1134-5537-01	POLYESTER FILM		1
04	1156-0368-01	RESISTER		1	30	1013-5524-01	ANTISPILL PLATE	RP	1
05	1134-4119-01	GROUND PLATE		1	31	1136-5520-01	PLATE		1
06	1136-4202-02	SPONGE		1	32	1149-0107-01	PW BOARD-G (AIDC)	AIDC (PWB-G) RP	1
07	1138-5516-02	SPONGE		1	33	1136-5535-01	POLYESTER FILM		3
08	1162-5583-01	SEAL	RP	2	34	1136-5521-01	PRESSURE SPRING		1
09	1136-5537-01	SPONGE		2	35	1136-5512-01	TORSION SPRING		3
10	1136-0901-01	CLEANING BLADE	RP	1	36	1136-5516-03	LEVER		1
11	1136-5503-01	TRANSPORT COIL		1	37	4002-0231-01	BRACKET ASSY		1
12	1136-5515-01	BUSHING		1	38	1100-1333-10	SHOULDER SCREW		1
13	1136-5506-01	GEAR 24T		1	39	1100-1901-01	SHOULDER SCREW		3
14	1136-5523-03	POLYESTER FILM		1	40	1134-0154-01	SEPARATOR	RP	3
15	1136-5533-01	SPONGE		1	41	1136-4205-02	SPONGE		1
16	1136-5528-01	SHAFT		1	42	1136-4209-01	SPONGE		1
17	1136-5517-01	SPONGE		1	43	1136-4203-02	SPONGE		1
18	1136-5532-01	PRESSURE SPRING		1	44	1139-4264-01	COVER		1
19	1136-5509-01	SHUTTER		1	45	1177-4261-01	GRID	RP	1
20	1136-5522-01	BRACKET		1	46	1156-4002-01	LID		1
21	1136-5505-01	TENSION SPRING		1	47	1139-4257-01	ROLL		2
22	1036-4524-02	SLIDER		1	48	4002-4001-01	ELECTRODE NEEDLE	RP	1
23	4002-5502-01	SHOULDER SCREW		1	49	1139-4263-01	TENSION SPRING		1
24	1400-1154-06	PRESSURE SPRING		1	50	4002-0311-01	DRUM CHARGE CORONA		1
25	1038-4512-01	BUSHING		2	51	4002-0313-02	DEVELOPPING UNIT		1
26	4002-5009-01	SEAL		2					

INDEX	PART NO.	PART NAME	REC	QTY	SFIX



INDEX	PART NO.	PART NAME	REC	QTY	INDEX	PART NO.	PART NAME	REC	QTY
01	1155-5151-01	ROLLER		1	29	1134-5105-01	ROLL		1
02	1134-5148-01	SEAL		2	30	1134-5106-13	BUSHING		1
03	1200-3223-12	BUSHING		3	31	1200-1462-02	WASHER		1
04	1134-5115-01	GEAR 35T		2	32	1134-5107-01	BUSHING		1
05	1134-5158-01	SPONGE		2	33	1134-5502-01	SEAL		1
06	1134-5146-12	REGULATION PLATE		1	34	1134-5125-14	POLYESTER FILM		1
07	1134-5164-01	SPONGE		2	35	1400-1226-03	PRESSURE SPRING		2
08	1134-5132-01	POLYESTER FILM		1	36	1134-5131-01	SPONGE		1
09	1134-5147-01	BUSHING		1	37	1134-5155-01	SPONGE		1
10	9326-2900-06	MAGNET		1	38	4002-5001-02	DEVELOPING ROLLER		1
11	1100-3132-04	PLATE NUT		1	39	1134-5501-01	SEAL		1
12	9334-2610-11	REED SWITCH	SUB TONER EM (S4)	1	40	1134-5128-14	POLYESTER FILM		1
13	1134-5127-01	COLLAR		1	41	1136-5526-01	RATCHET		1
14	1139-5249-01	SHOULDER SCREW		1	42	9321-2910-71	SOLENOID	SEP FINGER (SL4)	1
15	1139-5250-01	PLATE SPRING		1	43	1100-1342-08	SHOULDER SCREW		2
16	1134-5118-01	REGULATING PLATE		1	44	1100-3130-08	PLATE NUT		5
17	4002-5003-02	REGULATING PLATE	RP	1	45	1134-5112-01	GEAR 15T		1
18	4002-5012-01	GEAR		1	46	1300-3131-03	GEAR 24T		1
19	4002-5015-01	GEAR		1	47	9312-1910-11	MOTOR	SUB REPLEW (M14)	1
20	1134-5114-01	GEAR 16/29T		1	48	1136-6052-12	ATDC UNIT	ATDC (UN2)	RP 1
21	4002-5007-01	BUSHING		1	49	1200-1411-01	WASHER		2
22	1032-1606-02	BUSHING		1	50	4002-5006-01	BUSHING		1
23	4002-5014-01	GEAR		1	51	1134-5103-23	HOLDER		1
24	4002-5013-02	GEAR		1	52	1134-5104-01	ROLL		1
25	4002-5011-01	GEAR		1	53	4002-5005-01	SET PLATE		1
26	1200-1442-04	WASHER		1	54	1065-5106-01	BUSHING		2
27	4002-5034-01	TERMINAL		1	55	4002-5022-01	SEAL		1
28	4002-5010-01	GEAR		1					

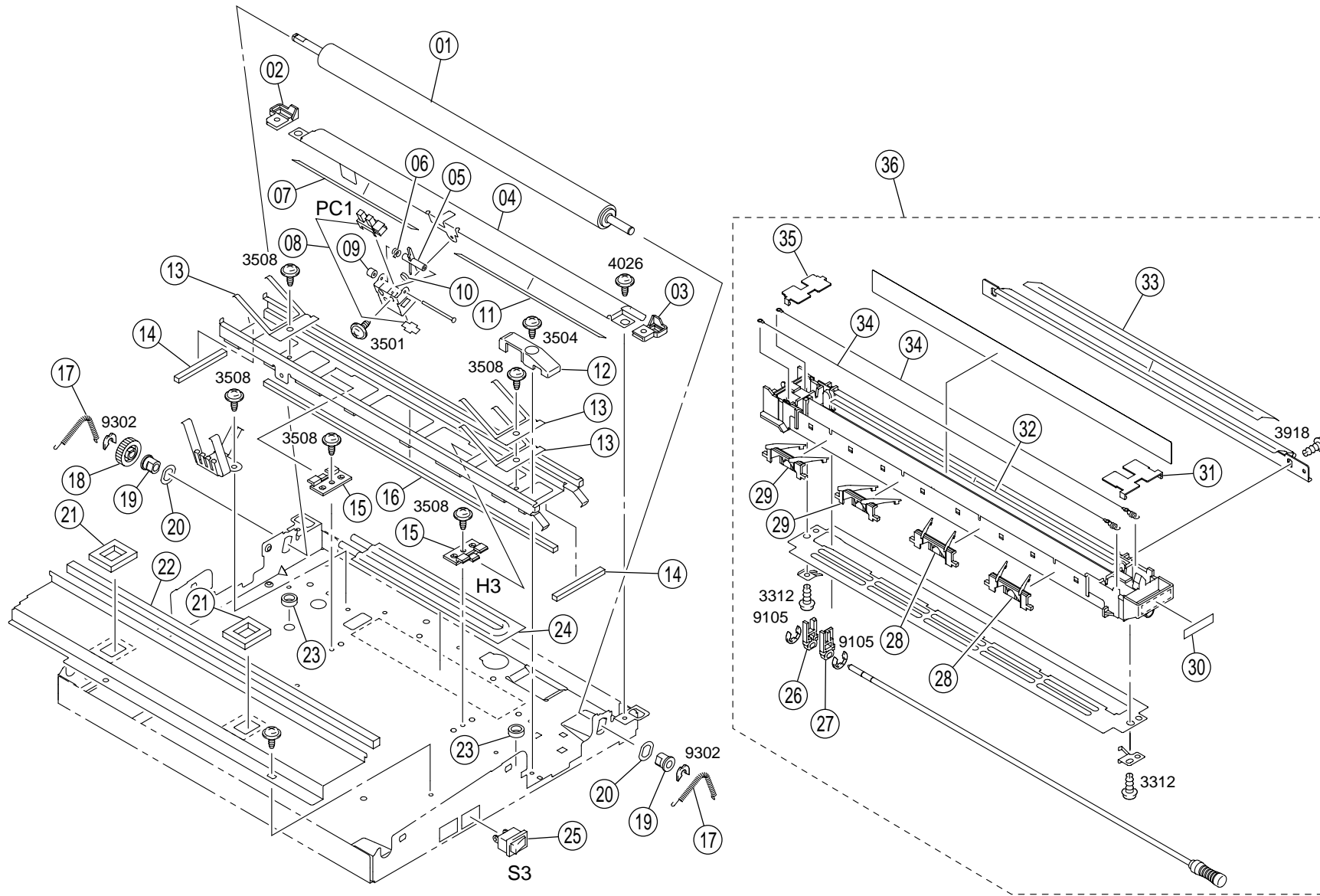
INDEX	PART NO.	PART NAME	REC	QTY	SFIX





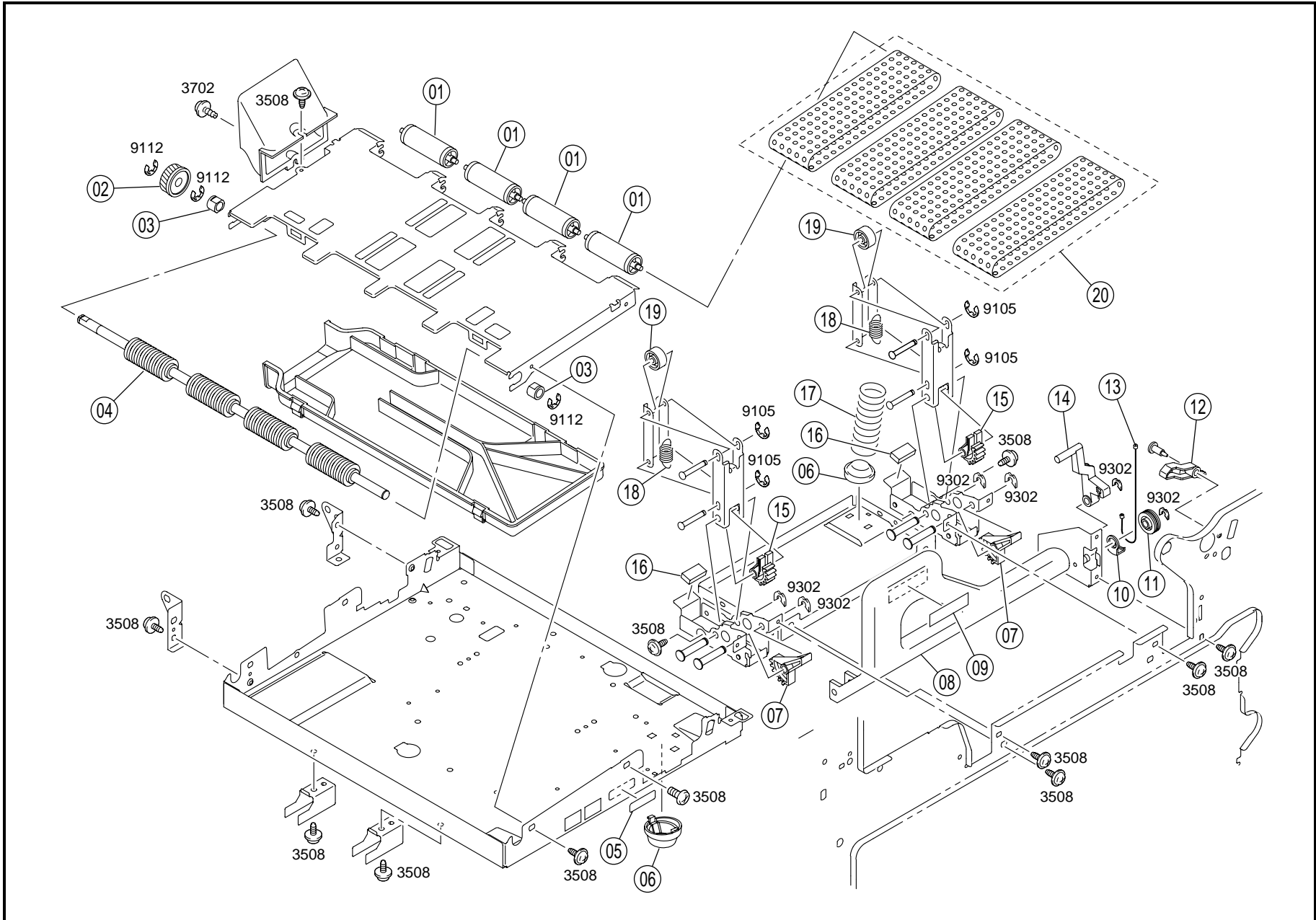
INDEX	PART NO.	PART NAME	REC	QTY	INDEX	PART NO.	PART NAME	REC	QTY
01	9314-1000-61	MOTOR TRANSPORT (M8)		1	19	4002-3504-01	ROLLER		1
02	1156-1371-01	RETAINING RING		1	20	4002-3501-02	GUIDE PLATE		1
03	9314-1000-72	MOTOR SYNCHRONIZI (M9)		1	21	4002-0902-01	PHOTO INTERRUPTER TRANSPORT (PC2)		1
04	1274-3605-01	POLYESTER FILM		2	22	4002-3518-01	ACTUATOR		1
05	1070-3076-01	BUSHING		2	23	4002-3519-01	TORSION SPRING		1
06	4002-3523-01	TENSION SPRING		2	24	1200-2105-06	RETAINING RING		1
07	4002-3530-01	GEAR		1	25	4002-3502-02	GUIDE PLATE		1
08	1052-4461-01	BUSHING		1	26	4002-3507-02	BRACKET		1
09	4002-3529-01	GEAR		1	27	1156-3543-01	CLEANING PAD		1
10	1052-4461-01	BUSHING		1					
11	1136-3525-01	GEAR 15T		1					
12	4002-3508-01	BRACKET		1					
13	1074-3316-01	SPONGE	RP	1					
14	4002-3524-01	ROLLER		1					
15	1136-3578-02	GUIDE		1					
16	1200-3134-16	BUSHING		2					
17	4002-3506-02	GUIDE PLATE		1					
18	4002-3503-01	ROLLER		1					

INDEX	PART NO.	PART NAME	REC	QTY	SFIX

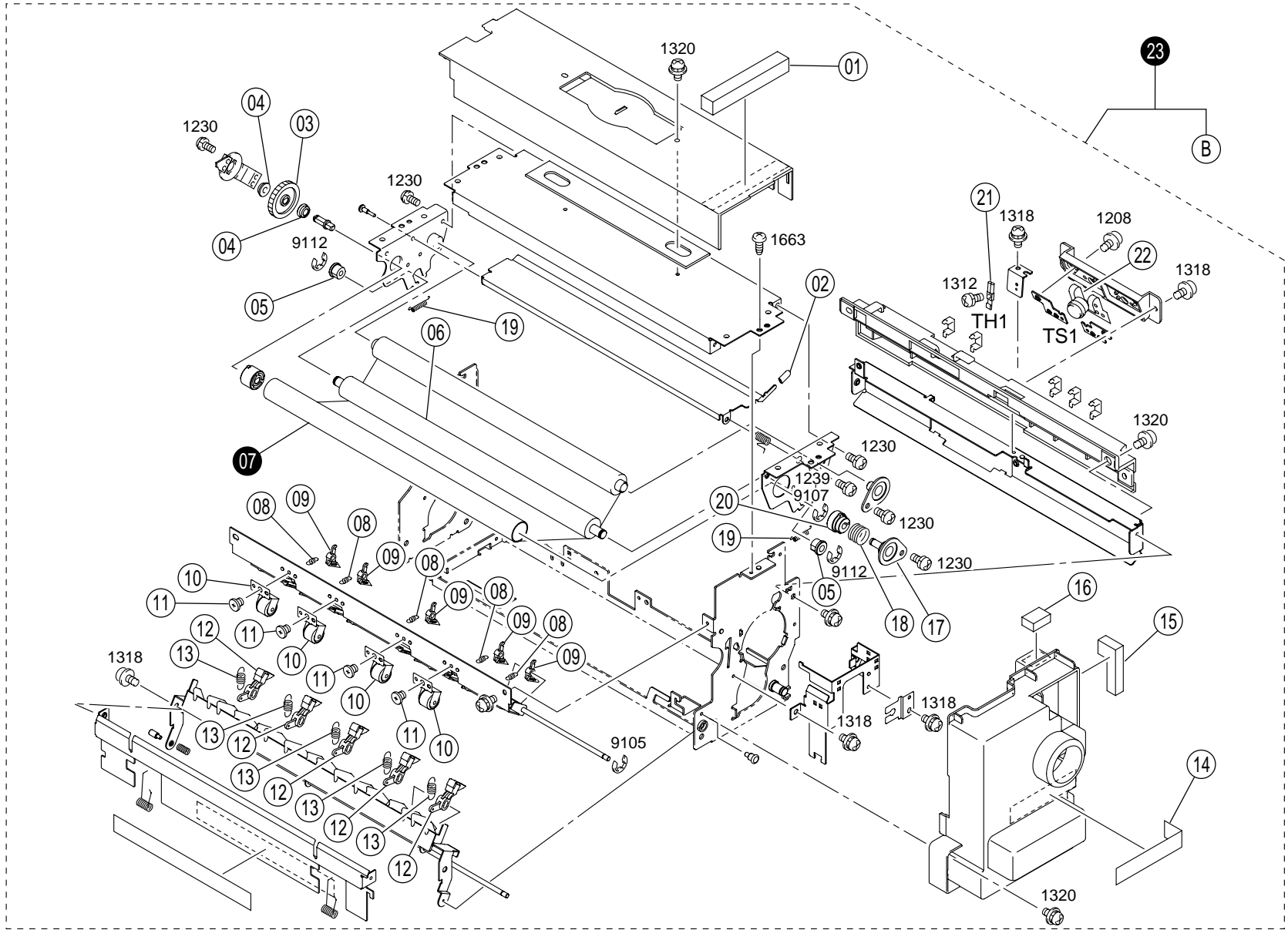


INDEX	PART NO.	PART NAME	REC	QTY	INDEX	PART NO.	PART NAME	REC	QTY
01	1136-3524-01	ROLLER		1	19	1070-3076-01	BUSHING		2
02	1136-3540-01	SPACER		1	20	1274-3605-01	POLYESTER FILM		2
03	1136-3539-01	SPACER		1	21	1136-4019-01	SPONGE		2
04	4002-3505-01	GUIDE PLATE		1	22	1136-4020-01	SPONGE		1
05	1139-3127-01	ACTUATOR		1	23	1136-4031-01	SPONGE		2
06	1139-3131-01	TORSION SPRING		1	24	9352-6310-31	HEATER	OPTION (H3)	1
07	4002-3525-01	GUIDE		1	25	9332-5910-41	SEESAW-SWITCH	PAPER DEHUM (S3)	1
08	4002-0902-01	PHOTO INTERRUPTER	SYNCHRONIZ (PC1)	1	26	1139-4058-02	CLEANING PAD		1
09	1200-2105-06	RETAINING RING		1	27	1139-4059-01	CLEANING PAD		1
10	1139-3147-01	SPONGE		1	28	4002-4103-01	GUIDE		2
11	4002-3526-01	GUIDE		1	29	4002-4102-01	GUIDE		2
12	1136-4027-01	GUIDE		1	30	1129-7303-01	LABEL		1
13	1136-4009-01	PLATE SPRING		3	31	1036-4503-01	COVER		1
14	1136-4034-01	SPONGE		2	32	1052-5501-02	POLYESTER FILM		1
15	1136-4010-01	SPACER		2	33	4002-4105-02	SEAL		1
16	1136-4012-02	SPONGE		1	34	1075-0765-01	CORONA WIRE	RP	2
17	1136-3527-01	TENSION SPRING		2	35	1036-4504-01	COVER		1
18	1136-3526-01	GEAR 20T		1	36	4002-0319-02	TRANS CORONA UNIT		1

INDEX	PART NO.	PART NAME	REC	QTY	SFIX



INDEX	PART NO.	PART NAME	REC	QTY	INDEX	PART NO.	PART NAME	REC	QTY
01	1136-3604-01	ROLL		4	19	1200-2626-03	COLLAR		2
02	4002-3607-01	GEAR		1	20	4002-0901-01	VACUUM BELT	RP	1
03	1079-5530-01	BUSHING		2					
04	4002-3602-01	ROLLER		1					
05	1500-2340-88	LABEL DEHUMIDIFIER		1					
06	1136-3516-01	HOLDER		2					
07	1136-3510-01	SEGMENT GEAR		2					
08	1136-3509-02	LOCK RELEASE LEVER		1					
09	4002-7314-01	LABEL		1					
10	4425-3770-01	SUPPORT		1					
11	4425-3715-01	WIRE PULLEY		1					
12	4002-3515-01	LEVER		1					
13	4002-3521-01	WIRE		1					
14	4002-3514-01	LEVER		1					
15	1136-3508-01	SEGMENT GEAR		2					
16	1136-3514-01	SPONGE		2					
17	1136-3515-01	PRESSURE SPRING		1					
18	1136-3506-01	TENSION SPRING		2					
INDEX	PART NO.	PART NAME	REC	QTY	SFIX				

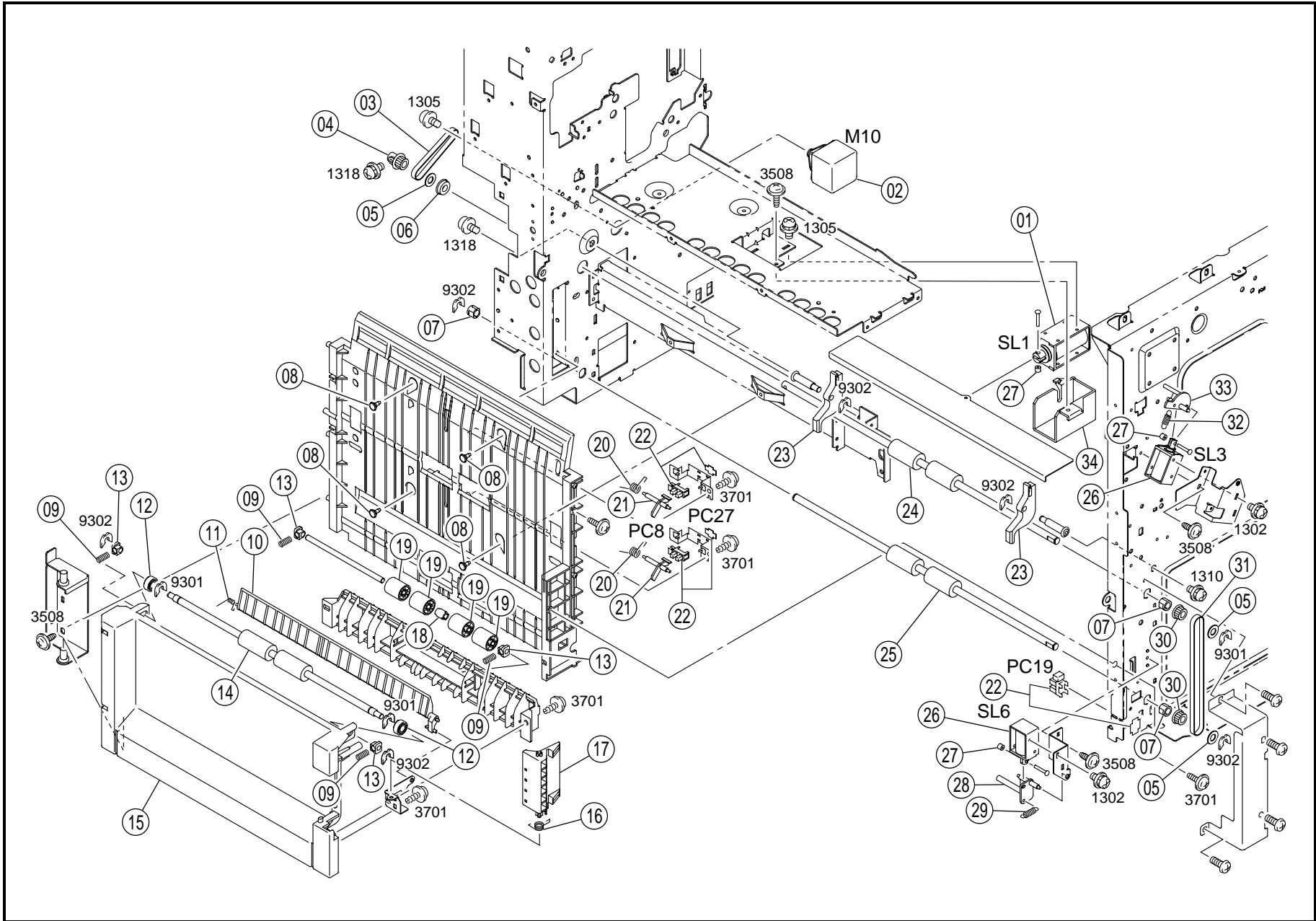


INDEX	PART NO.	PART NAME	REC	QTY	INDEX	PART NO.	PART NAME	REC	QTY
01	4002-5799-01	THERMAL INSULATOR		1	20	4002-5739-01	BUSHING		1
02	1076-5905-01	CAP		1	21	9372-2000-51	THERMISTOR	UPPER FUSIN (TH1)	RP 1
03	4002-5737-01	GEAR		1	22	9334-1610-11	THERMOSTAT	UPPER FUSIN (TS1)	RP 1
04	1075-5754-01	BUSHING		2					
05	1075-5779-01	BUSHING		2					
06	1075-5751-01	ROLLER	RP	1					
08	1400-2230-02	TENSION SPRING		5					
09	4002-5783-01	SEPARATOR	RP	5					
10	4002-0213-13	HOLDER ASSY		4					
11	1074-1026-01	SHOULDER SCREW		4					
12	4002-5790-01	SEPARATOR	RP	5					
13	1074-5778-01	TENSION SPRING		5					
14	4002-7320-01	LABEL		1					
15	4002-5797-01	THERMAL INSULATOR		1					
16	4002-5798-01	THERMAL INSULATOR		1					
17	1031-0207-01	BUSHING		1					
18	4002-5738-01	TORSION SPRING		1					
19	1075-5795-01	TENSION SPRING		2					
INDEX	PART NO.	PART NAME	REC	QTY	SFIX				
07	1145-5801-01	WEB ROLLER	RP	1	011				
07	4002-5732-01	WEB ROLLER	RP	1	211, 212, 214, 218, 311, 312, 313, 314				
23	4002-0321-02	FUSING UNIT		1	011				
23	4002-0322-02	FUSING UNIT		1	211, 212, 214, 218				
23	4002-0323-02	FUSING UNIT		1	311, 312, 313, 314				



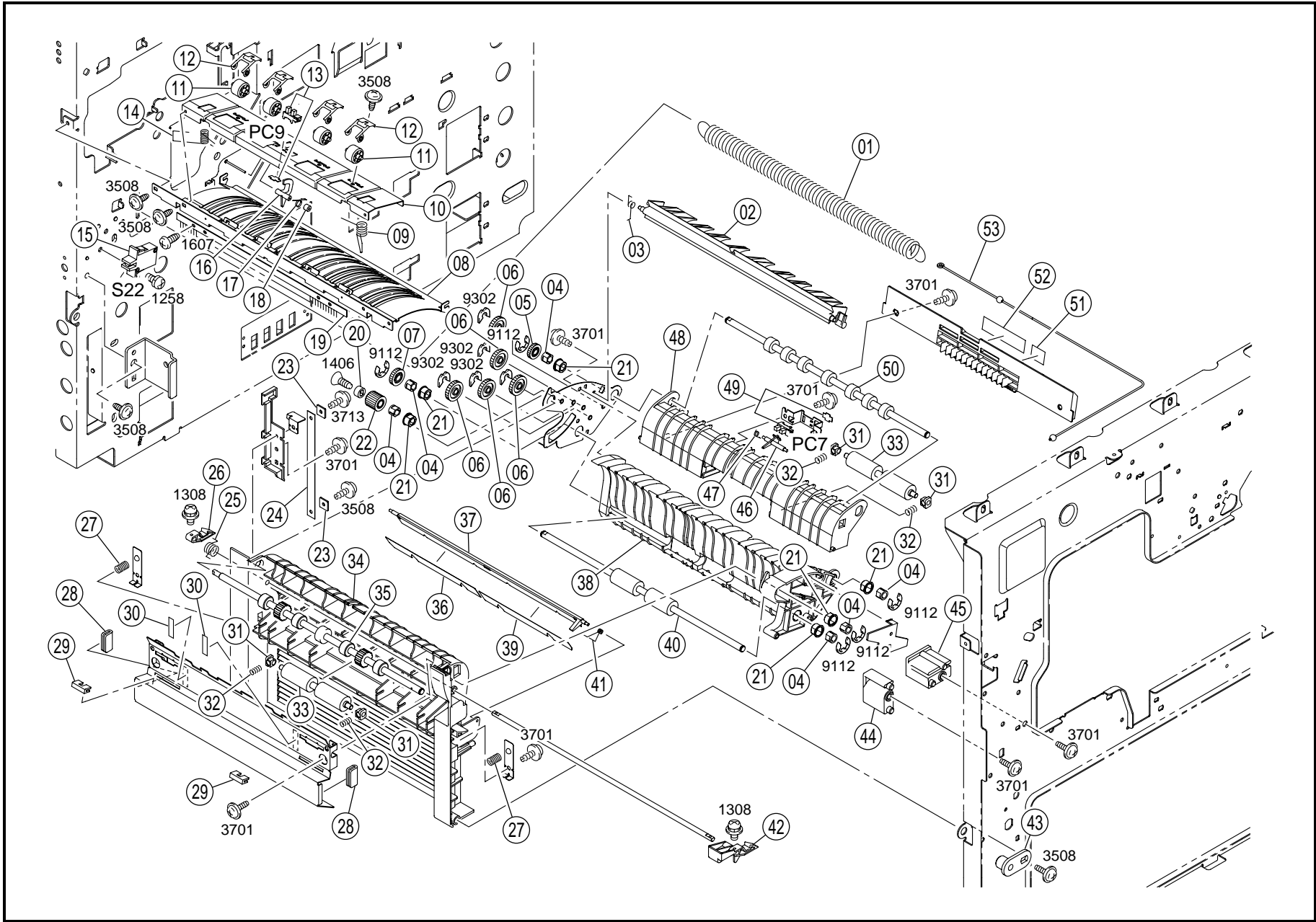


INDEX	PART NO.	PART NAME	REC	QTY	INDEX	PART NO.	PART NAME	REC	QTY
01	4002-5701-01	ROLLER	RP	1					
03	4002-5704-01	BUSHING	RP	2					
05	4002-5706-01	BALL BEARING	RP	2					
06	4002-5702-01	ROLLER	RP	1					
07	9372-2910-31	THERMISTOR	RP	1			LOWER FUSIN (TH2)		
08	4002-5754-01	GUIDE		1					
09	4002-5778-01	BALL BEARING		1					
10	4002-5710-02	GEAR		1					
11	1136-5785-02	SHOULDER SCREW		2					
12	4002-5709-02	GEAR	RP	1					
13	4002-5705-01	BALL BEARING	RP	2					
14	1156-5767-01	TENSION SPRING		2					
15	1156-5837-01	BUSHING		1					
16	1156-5828-01	RATCHET		1					
17	1156-5804-01	KNOB		1					
18	1273-3048-01	PRESSURE SPRING		1					
19	1156-7304-02	LABEL M1		1					
INDEX	PART NO.	PART NAME	REC	QTY	SFIX				
02	9352-2910-42	HEATER	RP	1	011				
02	9352-2910-52	HEATER	RP	1	311, 312, 313, 314				
02	9352-2910-62	HEATER	RP	1	211, 212, 214, 218				
04	9352-2910-71	HEATER	RP	1	011				
04	9352-2910-81	HEATER	RP	1	311, 312, 313, 314				
04	9352-2910-91	HEATER	RP	1	211, 212, 214, 218				



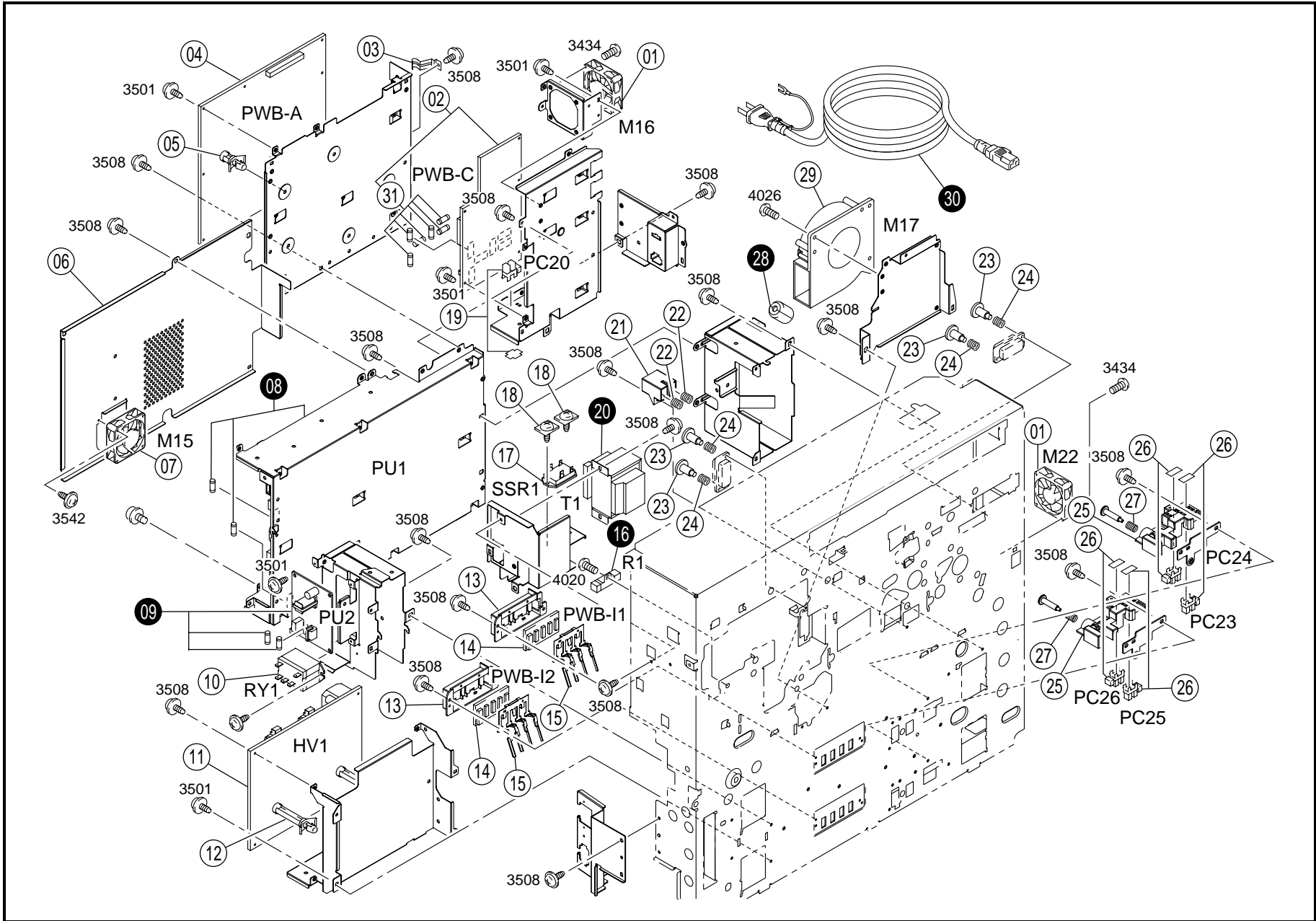
INDEX	PART NO.	PART NAME	REC	QTY	INDEX	PART NO.	PART NAME	REC	QTY
01	9321-2910-81	SOLENOID TURNOVER (SL1)		1	19	4425-3103-12	ROLL		4
02	9314-1911-11	MOTOR TURNOVER (M10)		1	20	4002-3715-01	TORSION SPRING		2
03	4002-3753-01	TIMING BELT		1	21	4002-3760-01	ACTUATOR		2
04	1155-3845-01	PULLEY 22T		1	22	4002-0902-01	PHOTO INTERRUPTER (PC8.19.27)		3
05	1200-1566-04	WASHER		3	23	4002-3755-01	LEVER		2
06	4102-3149-01	BALL BEARING		1	24	4002-3747-01	ROLLER		1
07	1079-5530-01	BUSHING		3	25	4002-3748-01	ROLLER		1
08	4426-3138-01	SHOULDER SCREW		4	26	9321-2621-11	SOLENOID (SL3.6)		1
09	4002-3705-01	PRESSURE SPRING		4	27	1200-2105-02	COLLAR		3
10	4002-3742-01	GUIDE		1	28	4002-3752-01	ACTUATOR		1
11	4002-3743-01	TORSION SPRING		1	29	4002-3750-01	TENSION SPRING		1
12	1155-3816-01	ROLL		2	30	1075-2579-01	PULLEY 22T		2
13	4002-3704-01	BUSHING		4	31	4002-3754-01	TIMING BELT		1
14	4002-3744-01	ROLLER		1	32	4002-3731-01	TENSION SPRING		1
15	4002-3737-01	DOOR		1	33	4002-3732-01	ACTUATOR		1
16	4002-3739-01	TORSION SPRING		1	34	4002-1017-01	COVER		1
17	4002-3741-01	HANDLE		1					
18	1149-3479-01	COLLAR		1					

INDEX	PART NO.	PART NAME	REC	QTY	SFIX

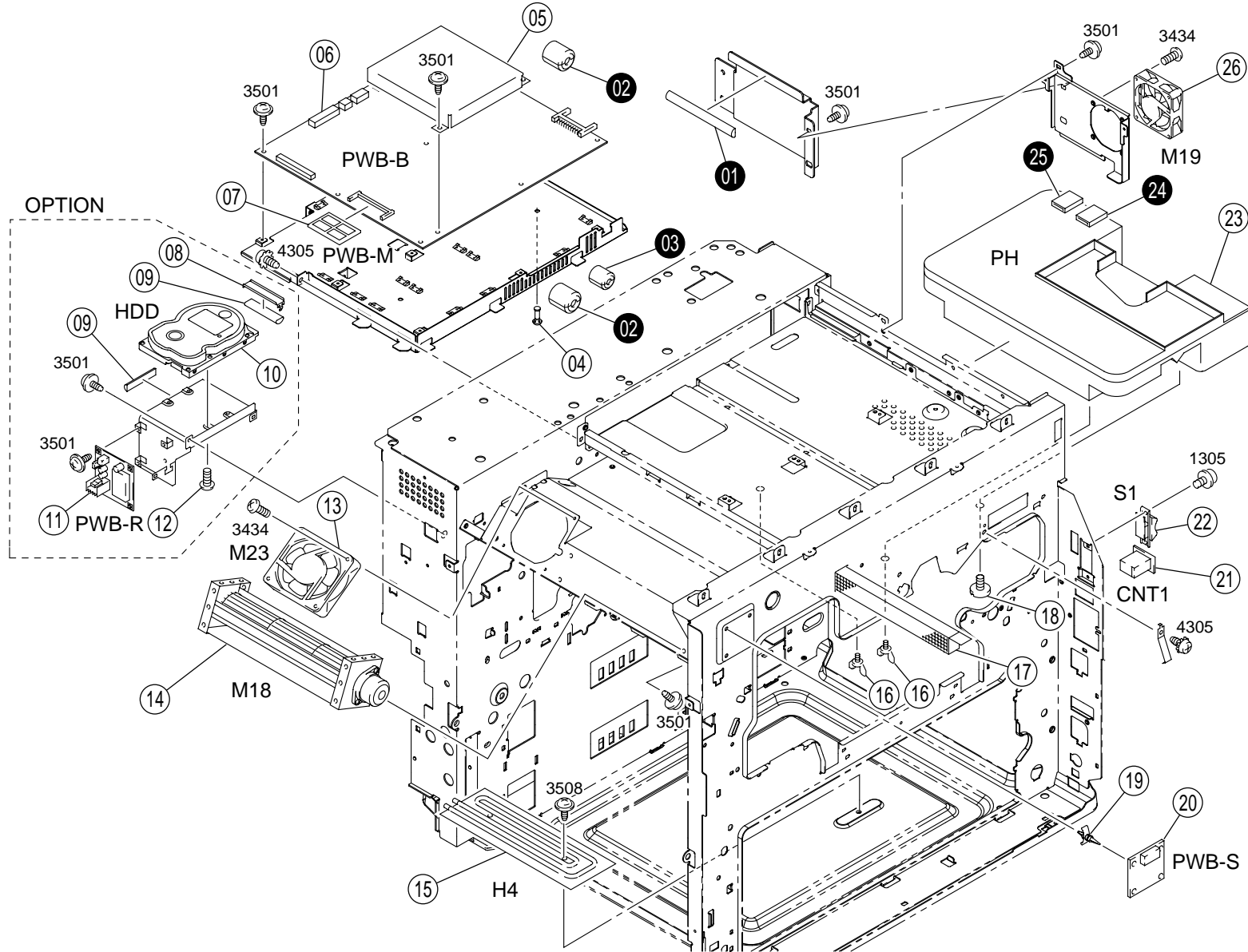


INDEX	PART NO.	PART NAME	REC	QTY	INDEX	PART NO.	PART NAME	REC	QTY
01	4002-3770-01	TENSION SPRING		1	28	4002-3776-01	SPACER		2
02	4002-3721-01	GUIDE		1	29	1156-3710-01	RUBBER STRIP		2
03	4002-3722-01	TORSION SPRING		1	30	1136-3239-01	SPONGE		2
04	1079-5530-01	BUSHING		6	31	4002-3704-01	BUSHING		4
05	4002-3728-01	GEAR		1	32	4002-3705-01	PRESSURE SPRING		4
06	4002-3729-01	GEAR		5	33	4002-3703-01	ROLLER		2
07	4002-3727-01	GEAR		1	34	4002-3701-01	DOOR		1
08	4002-3733-01	GUIDE PLATE		1	35	4002-3723-02	ROLLER		1
09	4002-3765-01	TORSION SPRING		1	36	4640-3831-01	GUIDE		1
10	4002-3734-01	BRACKET		1	37	4002-3774-01	GUIDE		1
11	1033-4709-01	ROLL		4	38	4002-3716-01	GUIDE		1
12	1075-5749-03	HOLDER		4	39	4640-3832-01	GUIDE		1
13	4002-0903-01	PHOTO INTERRUPTER	PAPER EXIT (PC9)	1	40	4002-3724-01	ROLLER		1
14	4002-3766-01	TORSION SPRING		1	41	4002-3707-01	TORSION SPRING		1
15	9332-3610-13	MICROSWITCH	UPR LEFT DO (S22)	1	42	4002-3708-01	HANDLE		1
16	4002-3735-02	ACTUATOR		1	43	4002-3712-01	HOLD PLATE		1
17	4002-3746-01	TORSION SPRING		1	44	4002-3767-01	GUIDE		1
18	1200-2105-06	RETAINING RING		1	45	4002-3768-01	GUIDE		1
19	0961-5445-02	NEUTRALIZING BRUSH		1	46	4002-3713-01	ACTUATOR		1
20	4002-3763-01	COLLAR		1	47	4002-3715-01	TORSION SPRING		1
21	4002-3771-01	SLEEVE		6	48	4002-3717-01	GUIDE		1
22	4002-3726-01	GEAR		1	49	4002-0902-01	PHOTO INTERRUPTER	TURNOVER F (PC7)	1
23	1053-3103-01	PLATE		2	50	4002-3725-01	ROLLER		1
24	1054-5101-02	BAND		1	51	4002-7313-01	LABEL		1
25	4002-3710-01	TORSION SPRING		1	52	4002-7318-01	LABEL		1
26	4102-3133-02	LEVER		1	53	4002-3769-01	WIRE		1
27	4002-3759-01	PRESSURE SPRING		2					

INDEX	PART NO.	PART NAME	REC	QTY	SFIX



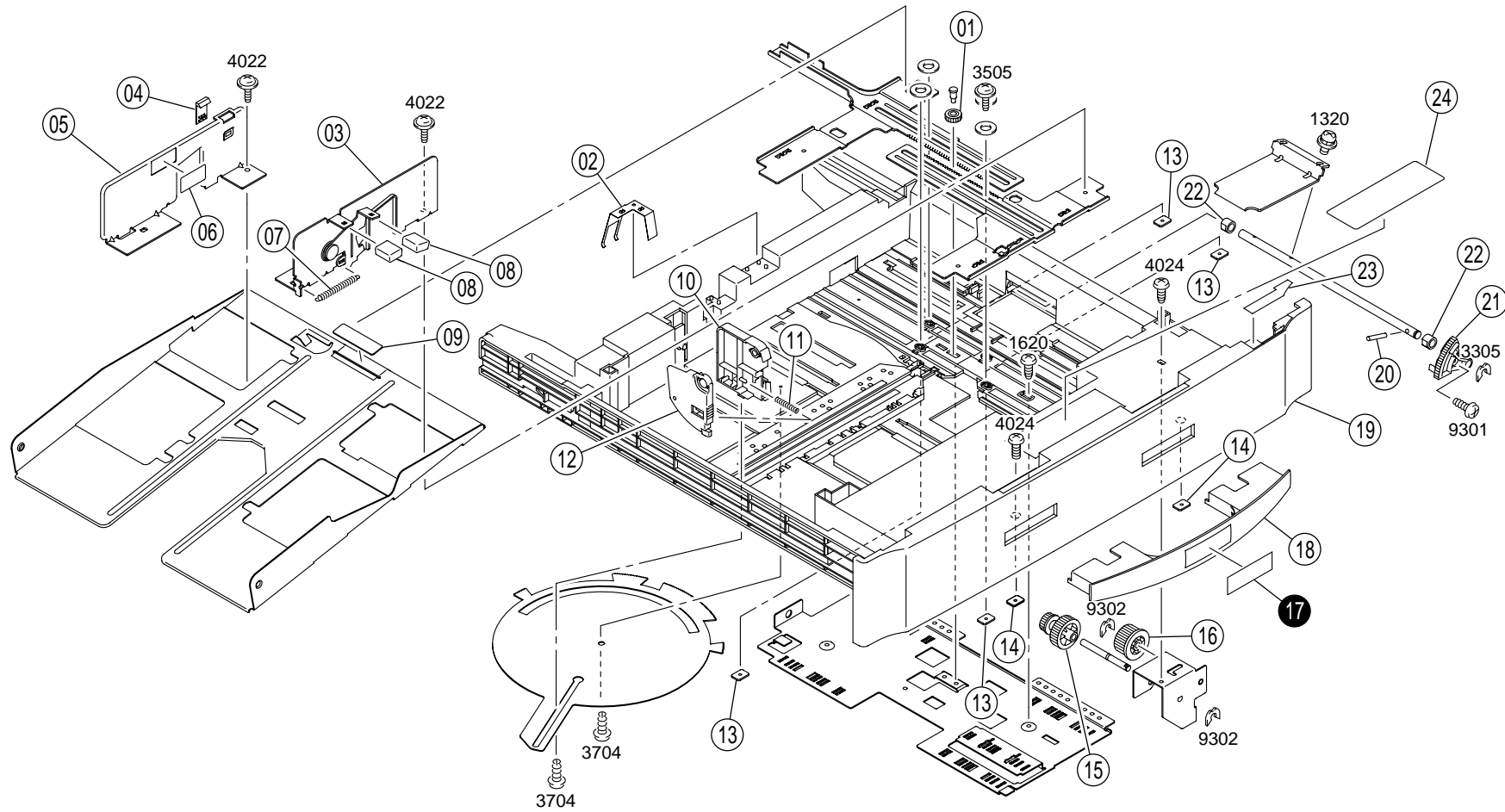
INDEX	PART NO.	PART NAME	REC	QTY	INDEX	PART NO.	PART NAME	REC	QTY
01	9313-1910-31	FAN MOTOR COOLING (M16.22)		2	23	1100-1335-03	SHOULDER SCREW		4
02	4002-0103-02	PWB ASSY POWER SU (PWB-C)	RP	1	24	1400-1134-02	PRESSURE SPRING		4
03	4002-2426-01	EARTH GROUND		1	25	4002-3111-01	HOLDER		2
04	4002-0104-03	PWB ASSY MASTER (PWB-A)	RP	1	26	4122-0901-01	PHOTO INTERRUPTER (PC23-26)		4
05	9384-1920-11	PWB SUPPORT		5	27	4002-3110-01	PRESSURE SPRING		2
06	4002-2408-01	COVER		1	29	9313-1310-61	FAN MOTOR SUCTION FAN (M17)		1
07	9313-1911-31	FAN MOTOR COOLING FAN (M15)		1	31	9346-3910-41	FUSE	RP	6
10	9341-2810-11	RELAY MAIN RELAY (RY1)		1					
11	4002-6204-02	HV TRANSFORMER HIGH VOLTAG (HV1)		1					
12	9384-1621-81	PWB SUPPORT 22.2H		2					
13	1164-3022-02	HOLDER		2					
14	1164-0105-01	PW BOARD-I SIZE (PWB-11.12)		2					
15	1164-3020-03	LEVER		2					
17	9343-4210-21	TRIAC MODULE OPTION (SSR1)		1					
18	1139-2338-01	TAPPING SCREW OPTION		2					
19	4002-0902-01	PHOTO INTERRUPTER PRE-DRIVE O (PC20)		1					
21	1136-4007-01	HOLDER		1					
22	1400-1122-10	PRESSURE SPRING		2					
INDEX	PART NO.	PART NAME	REC	QTY	SFIX				
08	4002-6201-02	POWER SUPPLY PW SUPPLY M (PU1)		1	011, 311, 312, 313				
08	4002-6201-02	POWER SUPPLY PW SUPPLY M (PU1)		1	314				
08	4002-6202-02	POWER SUPPLY PW SUPPLY M (PU1)		1	211, 212, 214, 218				
09	1177-6203-03	PWB-PU PW SUPPLY S (PU2)		1	011, 311, 312, 313, 314				
09	1177-6204-03	PWB-PU PW SUPPLY S (PU2)		1	211, 212, 214, 218				
16	9459-1807-01	RESISTOR FLICKERLESS (R1)		1	211, 212, 214, 218				
20	9324-1810-11	TRANSFORMER DEHUM HEATER (T1)		1	011				
20	9324-1810-21	TRANSFORMER OPTION (T1)		1	311, 312, 313, 314				
20	9324-1810-31	TRANSFORMER OPTION (T1)		1	211, 212, 214, 218				
28	9326-1910-21	FERRITE CORE		1	211, 212, 214, 218, 313				
30	9381-4810-31	POWER CORD		1	011				
30	9381-4810-61	POWER CORD		1	212, 214				
30	9381-4911-01	POWER CORD		1	311, 312, 313, 314				
30	9381-4911-21	POWER CORD		1	218				



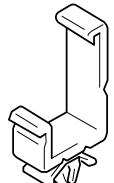
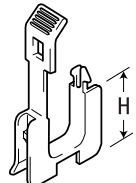
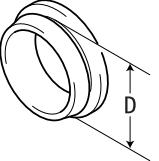

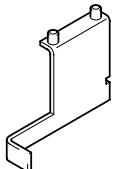
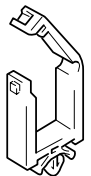
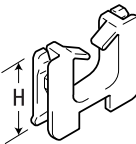
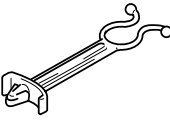
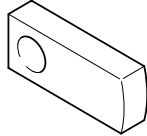
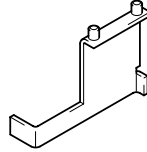
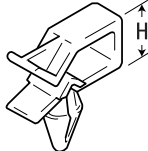
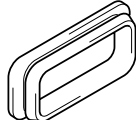

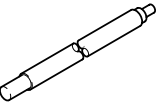

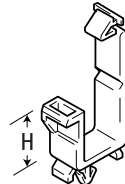
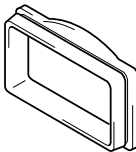
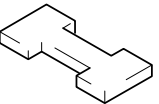
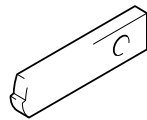
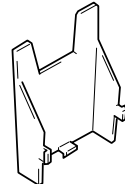
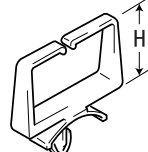
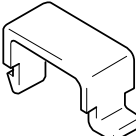
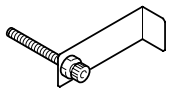
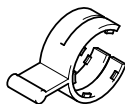
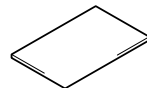


INDEX	PART NO.	PART NAME	REC	QTY	INDEX	PART NO.	PART NAME	REC	QTY
04	9384-1910-61	PWB SUPPORT		6	22	9332-5310-31	SWITCH POWER (S1)		1
05	4002-2444-01	EARTH GROUND		1	23	4002-0531-02	PRINT HEAD UNIT (PH)		1
06	4002-0102-15	PWB ASSY IMAGE (PWB-B)	RP	1	26	9313-1910-31	FAN MOTOR COOLING FAN (M19)		1
07	4002-0120-02	PWB ASSY OPTION (PWB-M)	RP	1					
08	4002-2441-01	HOLDER OPTION		1					
09	4002-6210-01	MAGNETIC MEMBER OPTION		2					
10	4002-6059-01	HARD DISK DRIVE OPTION (HDD)		1					
11	1155-0125-02	PW BOARD-R OPTION (PWB-R)	RP	1					
12	1155-2447-02	SCREW OPTION		4					
13	9313-1911-41	FAN MOTOR COOLING FAN (M23)		1					
14	9313-1310-92	FAN MOTOR VENT FAN (M18)		1					
15	9352-6310-11	HEATER OPTION (H4)		1					
16	4002-2020-01	SCREW		2					
17	4002-4004-02	FILTER	RP	1					
18	4002-1953-01	SCREW		1					
19	9384-1900-57	PWB SUPPORT 9.53H		4					
20	1155-0117-01	PW BOARD-S TECH.REP. (PWB-S)		1					
21	9323-1910-11	COUNTER TOTAL (CNT1)		1					
INDEX	PART NO.	PART NAME	REC	QTY	SFIX				
01	4002-6209-01	MAGNETIC MEMBER		1	211, 212, 214, 218, 313				
02	9326-1000-61	FERRITE CORE		2	211, 212, 214, 218, 313				
03	9326-1910-21	FERRITE CORE		1	211, 212, 214, 218, 313				
24	9326-1000-71	FERRITE CORE		1	211, 212, 214, 218, 313				
25	9326-1000-51	FERRITE CORE		1	211, 212, 214, 218, 313				

2 UNITS

























INDEX	PART NO.	PART NAME	REC	QTY	INDEX	PART NO.	PART NAME	REC	QTY
01	4498-3827-01	GEAR 14T		2	20	4425-3213-01	PIN		2
02	4002-3118-01	PLATE SPRING		2	21	4425-3203-05	SEGMENT GEAR		2
03	4002-0221-01	BRACKET ASSY		2	22	1200-3134-16	BUSHING		4
04	4002-3130-02	HOLDER		2	23	4002-3136-02	SEAL		2
05	4002-3103-01	REGULATING PLATE		2	24	4002-7307-01	LABEL		2
06	4002-7306-01	LABEL		2					
07	4002-3115-01	TENSION SPRING		2					
08	1161-3120-02	KNOB		4					
09	4425-3257-01	CORK		2					
10	4002-3119-01	REGULATING PLATE		2					
11	1149-3406-01	PRESSURE SPRING		2					
12	4002-3120-01	LEVER		2					
13	4002-3113-01	PLATE NUT		8					
14	1139-3153-01	PLATE NUT		4					
15	4425-3216-02	GEAR		2					
16	4425-3217-01	GEAR		2					
18	4002-3121-03	HANDLE		2					
19	4002-3101-04	CASSETTE		2					
INDEX	PART NO.	PART NAME	REC	QTY	SFIX				
17	4002-7308-01	LABEL		2	211, 212, 214, 218, 311, 312, 313, 314				
17	4002-7319-01	LABEL		2	011				

<p>01-03</p> 	<p>12, 13</p> 	<p>19, 20</p> 	<p>25</p> 	<p>30</p> 			
<p>04, 05</p> 	<p>14, 15</p> 	<p>21</p> 	<p>26</p> 	<p>31</p> 			
<p>06</p> 	<p>16</p> 	<p>22</p> 	<p>27</p> 	<p>32</p> 			
<p>07-10</p> 	<p>17</p> 	<p>23</p> 	<p>28</p> 	<p>33</p> 			
<p>11</p> 	<p>18</p> 	<p>24</p> 	<p>29</p> 	<p>34, 35</p> 			

INDEX	PART NO.	PART NAME	REC	QTY	INDEX	PART NO.	PART NAME	REC	QTY
01	9384-1310-91	WIRING SADDLE 18.5H		33	19	0721-4203-12	COLLAR 17D		2
02	9384-1311-01	WIRING SADDLE 27H		33	20	0722-4913-01	COLLAR 20D		4
03	9384-1311-21	WIRING SADDLE 16.8H		5	21	9384-1911-11	SO CLIP		8
04	9384-1110-61	WIRING SADDLE 21.5H		3	22	9384-1311-11	CABLE TIE 104L		3
05	9384-1310-11	WIRING SADDLE 5.2H		58	23	1067-7901-01	JIG SAFETY SWITCH	RP	1
06	9384-1820-31	WIRING SADDLE 8.0H		3	24	1136-0756-01	JIG INTERLOCK	RP	1
07	9384-1921-01	WIRING SADDLE 14.4H		3	25	1136-7904-01	JIG D.S. COLLAR	RP	1
08	9384-1921-11	WIRING SADDLE 9.2H		4	26	1136-7905-01	JIG D.S. FINGER	RP	2
09	9384-1921-21	WIRING SADDLE 15.2H		2	27	1136-7906-01	JIG D.S. SHAFT	RP	1
10	9384-1921-31	WIRING SADDLE 17.3H		13	28	4002-7901-01	JIG	RP	1
11	9384-1310-81	WIRING SADDLE 6.4H		31	29	4002-7903-01	JIG	RP	1
12	9384-2010-31	EDGE COVER 15.4H		14	30	4002-7904-01	JIG	RP	1
13	9384-2010-41	EDGE COVER 25.0H		6	31	4002-7905-01	JIG	RP	1
14	9384-2610-11	EDGE COVER 8.5H		3	32	4002-7902-01	JIG	RP	1
15	9384-2010-21	EDGE COVER 8.5H		14	33	1156-7501-01	HOLDER		1
16	1050-4805-01	EDGE COVER		3	34	4003-0751-01	JIG MEMORY CARD	RP	1
17	1038-4006-01	INSULATING MEMBER		1	35	4002-0753-01	JIG MEMORY CARD		1
18	0990-5596-01	CORD CLAMP		8					

INDEX	PART NO.	PART NAME	REC	QTY	SFIX				

INDEX	PART NO.	PART NAME	ILLUST	INDEX	PART NO.	PART NAME	ILLUST	INDEX	PART NO.	PART NAME	ILLUST
0203 0210	9754-2010-08 9754-3012-08	SPRING ROLL PIN		1905	9612-1640-07	SCREW		4305	9770-0408-13	TAPPING SCREW	
0502 0509 0510	9752-3012-50 9752-2012-50 9752-3014-50	PIN		3303 3305 3312 3314	9732-0306-13 9732-0308-13 9732-0410-13 9732-0312-13	TAPPING SCREW		5109 5611	9670-0410-08 9736-0420-13	BOLT BOLT	 
1208 1210 1212 1230 1239 1258	9644-0306-13 9644-0308-13 9644-0310-13 9644-0408-13 9644-0420-13 9644-0318-13	SCREW		3402 3403 3408 3410 3434	9733-0306-13 9733-0308-13 9733-0406-13 9733-0408-13 9733-0430-13	TAPPING SCREW		7102 7104 7107	9684-0304-08 9684-0308-08 9684-0406-08	SET SCREW	
1302 1305 1308 1309 1312 1318 1320 1321 1344 1353	9646-0305-13 9646-0306-13 9646-0308-13 9646-0310-13 9646-0316-13 9646-0408-13 9646-0410-13 9646-0412-13 9646-0306-50 9646-0330-13	SCREW		3501 3504 3505 3508 3511 3542	9735-0306-13 9735-0308-13 9735-0310-13 9735-0408-13 9735-0414-13 9735-0320-13	TAPPING SCREW		8107 8302 8506 8509	9710-0400-13 9712-0400-13 9716-0400-01 9716-0500-01	SPRING WASHER WASHER WASHER	  
1406 1452	9648-0308-01 9648-0308-20	SCREW		3701 3702 3704 3705 3709 3713	9739-0408-13 9739-0410-13 9739-0308-13 9739-0306-13 9739-0310-13 9739-0410-07	TAPPING SCREW		9105 9107 9112 9301 9302 9303	9721-0300-01 9721-0400-01 9721-0600-01 1066-1151-01 4425-3001-01 4425-3002-01	RETAINING RING RETAINING RING	 
1603 1607 1608 1620 1623 1634 1647 1655 1663	9654-0306-01 9654-0306-13 9654-0308-01 9654-0406-01 9654-0408-01 9654-0304-13 9654-0305-01 9654-0304-01 9654-0406-13	SCREW		3907 3918 3920 4005 4012 4020 4022 4024 4026 4027	9742-0308-13 9742-0408-13 9742-0408-14 9743-0408-13 9743-0306-13 9743-0408-14 9743-0406-13 9743-0410-14 9743-0410-13 9743-0406-14	TAPPING SCREW	 				

PART NO.	FIG.	INDEX	QTY		PART NO.	FIG.	INDEX	QTY		PART NO.	FIG.	INDEX	QTY		PART NO.	FIG.	INDEX	QTY	
0721-4203-12	25	19	2		1134-5115-01	14	04	2		1136-5515-01	13	12	1		1156-1371-01	15	02	1	
0722-4913-01	25	20	4		1134-5118-01	14	16	1		1136-5516-03	13	36	1		1156-3543-01	15	27	1	
0818-7319-01	02	12	1		1134-5125-14	14	34	1		1136-5517-01	13	17	1		1156-3710-01	21	29	2	
0961-5445-02	21	19	1		1134-5127-01	14	13	1		1136-5520-01	13	31	1		1156-4002-01	13	46	1	
0990-5596-01	25	18	8		1134-5128-14	14	40	1		1136-5521-01	13	34	1		1156-4013-01	04	13	1	
1013-5524-01	13	30	1		1134-5131-01	14	36	1		1136-5522-01	13	20	1		1156-5106-01	12	07	1	
1021-4429-02	10	17	2		1134-5132-01	14	08	1		1136-5523-03	13	14	1		1156-5767-01	19	14	2	
1031-0207-01	18	17	1		1134-5146-12	14	06	1		1136-5526-01	14	41	1		1156-5804-01	19	17	1	
1032-1606-02	14	22	1		1134-5147-01	14	09	1		1136-5528-01	13	16	1		1156-5828-01	19	16	1	
1033-4402-01	11	27	1		1134-5148-01	14	02	2		1136-5532-01	13	18	1		1156-5837-01	19	15	1	
1033-4709-01	21	11	4		1134-5155-01	14	37	1		1136-5533-01	13	15	1		1156-7304-02	19	19	1	
1036-4503-01	16	31	1		1134-5158-01	14	05	2		1136-5535-01	13	33	3		1156-7501-01	25	33	1	
1036-4504-01	16	35	1		1134-5164-01	14	07	2		1136-5537-01	13	09	2		1159-1938-01	09	10	4	
1036-4524-02	13	22	1		1134-5501-01	14	39	1		1136-5785-02	19	11	2		1159-1938-01	11	18	5	
1036-5514-01	13	27	1		1134-5502-01	14	33	1		1136-6052-12	14	48	1		1161-3120-02	24	08	4	
1038-4006-01	25	17	1		1134-5537-01	13	29	1		1136-7320-02	01	23	1		1162-5583-01	13	08	2	
1038-4512-01	13	25	2		1136-0162-01	11	26	1		1136-7904-01	25	25	1		1164-0105-01	22	14	2	
1038-4701-01	12	11	2		1136-0756-01	25	24	1		1136-7905-01	25	26	2		1164-3020-03	22	15	2	
1050-4805-01	25	16	3		1136-0901-01	13	10	1		1136-7906-01	25	27	1		1164-3022-02	22	13	2	
1052-4461-01	15	08	1		1136-1046-01	01	20	1		1138-5516-02	13	07	1		1171-1125-02	01	02	1	
1052-4461-01	15	10	1		1136-2528-01	07	03	1		1139-1724-01	03	07	1		1174-1015-01	02	21	1	
1052-5409-01	10	13	1		1136-2530-02	07	52	1		1139-2338-01	22	18	2		1177-4261-01	13	45	1	
1052-5501-02	16	32	1		1136-3239-01	21	30	2		1139-3127-01	16	05	1		1177-6203-03	22	09	1	
1053-1324-01	05	05	4		1136-3406-01	04	17	1		1139-3131-01	16	06	1		1177-6204-03	22	09	1	
1053-3103-01	01	09	4		1136-3409-01	11	28	1		1139-3147-01	16	10	1		1200-1411-01	14	49	2	
1053-3103-01	21	23	2		1136-3435-04	10	15	1		1139-3153-01	24	14	4		1200-1431-01	12	14	2	
1054-5101-02	01	11	2		1136-3437-03	10	19	1		1139-3318-01	11	20	1		1200-1442-04	14	26	1	
1054-5101-02	21	24	1		1136-3506-01	17	18	2		1139-3348-02	11	09	1		1200-1462-02	14	31	1	
1065-2753-01	07	13	1		1136-3508-01	17	15	2		1139-3349-01	11	05	1		1200-1566-04	20	05	3	
1065-3169-01	10	14	2		1136-3509-02	17	08	1		1139-3354-01	11	25	1		1200-2105-02	20	27	3	
1065-5106-01	14	54	2		1136-3510-01	17	07	2		1139-3367-01	11	19	1		1200-2105-05	09	23	4	
1067-2566-01	07	08	1		1136-3514-01	17	16	2		1139-3369-01	11	06	2		1200-2105-05	11	02	1	
1067-7901-01	25	23	1		1136-3515-01	17	17	1		1139-3370-01	11	10	1		1200-2105-06	15	24	1	
1070-3076-01	15	05	2		1136-3516-01	17	06	2		1139-4058-02	16	26	1		1200-2105-06	16	09	1	
1070-3076-01	16	19	2		1136-3524-01	16	01	1		1139-4059-01	16	27	1		1200-2105-06	21	18	1	
1074-1026-01	18	11	4		1136-3525-01	15	11	1		1139-4257-01	13	47	2		1200-2626-03	17	19	2	
1074-3316-01	15	13	1		1136-3526-01	16	18	1		1139-4263-01	13	49	1		1200-3134-16	09	21	2	
1074-5778-01	18	13	5		1136-3527-01	16	17	2		1139-4264-01	13	44	1		1200-3134-16	15	16	2	
1075-0765-01	16	34	2		1136-3539-01	16	03	1		1139-5020-02	12	12	1		1200-3134-16	24	22	4	
1075-2579-01	20	30	2		1136-3540-01	16	02	1		1139-5022-01	12	09	1		1200-3223-12	14	03	3	
1075-3356-02	11	03	1		1136-3578-02	15	15	1		1139-5023-01	12	03	2		1200-3225-11	11	23	1	
1075-3389-01	11	07	1		1136-3604-01	17	01	4		1139-5249-01	14	14	1		1200-3434-03	07	25	1	
1075-3390-01	11	08	1		1136-4007-01	22	21	1		1139-5250-01	14	15	1		1273-3048-01	19	18	1	
1075-5749-03	21	12	4		1136-4009-01	16	13	3		1139-7328-01	01	18	1		1273-3516-01	09	12	2	
1075-5751-01	18	06	1		1136-4010-01	16	15	2		1145-5801-01	18	07	1		1274-2605-01	04	09	1	
1075-5754-01	18	04	2		1136-4012-02	16	16	1		1149-0107-01	13	32	1		1274-3605-01	15	04	2	
1075-5779-01	18	05	2		1136-4018-01	04	12	1		1149-3406-01	24	11	2		1274-3605-01	16	20	2	
1075-5795-01	18	19	2		1136-4019-01	16	21	2		1149-3454-01	10	22	1		1300-3131-03	14	46	1	
1075-7345-01	02	16	1		1136-4020-01	16	22	1		1149-3479-01	20	18	1		1300-4342-07	07	21	1	
1076-1203-02	05	08	1		1136-4027-01	16	12	1		1154-3322-01	11	04	2		1400-1122-10	13	02	2	
1076-5905-01	18	02	1		1136-4031-01	16	23	2		1155-0117-01	23	20	1		1400-1122-10	22	22	2	
1079-5530-01	17	03	2		1136-4034-01	16	14	2		1155-0125-02	23	11	1		1400-1134-02	22	24	4	
1079-5530-01	20	07	3		1136-4112-03	13	01	1		1155-0155-03	02	07	1		1400-1154-06	13	24	1	
1079-5530-01	21	04	6		1136-4113-01	13	03	1		1155-0156-03	02	07	1		1400-1185-10	07	04	1	
1100-1333-10	13	38	1		1136-4202-02	13	06	1		1155-0157-03	02	07	1		1400-1226-03	14	35	2	
1100-1335-03	22	23	4		1136-4203-02	13	43	1		1155-1602-03	02	05	1		1400-2230-02	18	08	5	
1100-1342-08	14	43	2		1136-4204-02	13	28	1		1155-1609-01	02	04	1		1500-2340-88	17	05	1	
1100-1901-01	13	39	3		1136-4205-02	13	41	1		1155-1610-01	02	03	1		1500-2640-04	05	07	2	
1100-3130-08	14	44	5		1136-4209-01	13	42	1		1155-1618-01	02	01	1		4002-0102-15	23	06	1	
1100-3132-04	14	11	1		1136-4513-01	04	16	1		1155-1619-01	03	04	4		4002-0103-02	22	02	1	
1129-7303-01	16	30	1		1136-5212-01	12	15	1		1155-1630-01	02	06	1		4002-0104-03	22	04	1	
1134-0154-01	13	40	3		1136-5234-01	12	05	2		1155-1631-01	02	18	1		4002-0105-03	03	14	1	
1134-4119-01	13	05	1		1136-5235-01	12	10	1		1155-2447-02	23	12	1		4002-0113-02	01	17	1	
1134-5103-23	14	51	1		1136-5240-01	12	04	2		1155-2503-01	07	18	1		4002-0114-02	01	17	1	
1134-5104-01	14	52	1		1136-5503-01	13	11	1		1155-3816-01	20	12	2		4002-0115-02	01	17	1	
1134-5105-01	14	29	1		1136-5505-01	13	21	1		1155-3845-01	20	04	1		4002-0120-02	23	07	1	
1134-5106-13	14	30	1		1136-5506-01	13	13	1		1155-5151-01	14	01	1		4002-0151-01	06	19	1	
1134-5107-01	14	32	1		1136-5507-01	07	09	1		1155-7320-12	01	12	1		4002-0213-13	18	10	4	
1134-5112-01	14	45	1		1136-5509-01	13	19	1		1156-0368-01	13	04	1		4002-0221-01	24	03	2	
1134-5114-01	14	20	1		1136-5512-01	13	35	3		1156-1027-01	02	15	1		4002-0231-01	13	37	1	

PART NO.	FIG.	INDEX	QTY		PART NO.	FIG.	INDEX	QTY		PART NO.	FIG.	INDEX	QTY		PART NO.	FIG.	INDEX	QTY	
4002-0306-02	06	10	1		4002-2039-01	05	01	1		4002-3212-01	09	16	2		4002-3708-01	21	42	1	
4002-0311-01	13	50	1		4002-2404-01	04	21	2		4002-3214-05	09	29	2		4002-3710-01	21	25	1	
4002-0313-02	13	51	1		4002-2408-01	22	06	1		4002-3216-01	09	31	2		4002-3712-01	21	43	1	
4002-0316-02	12	19	1		4002-2417-01	04	20	1		4002-3216-01	11	21	2		4002-3713-01	21	46	1	
4002-0317-02	12	19	1		4002-2426-01	22	03	1		4002-3217-01	09	30	2		4002-3715-01	20	20	2	
4002-0319-02	16	36	1		4002-2441-01	23	08	1		4002-3217-01	11	22	2		4002-3715-01	21	47	1	
4002-0321-02	18	23	1		4002-2444-01	23	05	1		4002-3302-02	08	02	1		4002-3716-01	21	38	1	
4002-0322-02	18	23	1		4002-2501-01	07	34	1		4002-3303-02	08	01	1		4002-3717-01	21	48	1	
4002-0323-02	18	23	1		4002-2502-01	07	22	1		4002-3304-01	08	04	2		4002-3721-01	21	02	1	
4002-0531-02	23	23	1		4002-2503-02	07	24	1		4002-3305-01	09	02	1		4002-3722-01	21	03	1	
4002-0751-01	08	12	2		4002-2506-01	07	39	1		4002-3306-01	09	01	1		4002-3723-02	21	35	1	
4002-0753-01	25	35	1		4002-2507-02	07	41	1		4002-3307-03	10	01	1		4002-3724-01	21	40	1	
4002-0901-01	17	20	1		4002-2509-02	07	42	1		4002-3314-01	11	15	1		4002-3725-01	21	50	1	
4002-0902-01	03	08	1		4002-2517-01	04	08	1		4002-3315-01	11	14	1		4002-3726-01	21	22	1	
4002-0902-01	08	08	3		4002-2521-01	04	05	1		4002-3318-01	10	06	2		4002-3727-01	21	07	1	
4002-0902-01	09	19	6		4002-2522-01	04	11	1		4002-3320-02	10	03	4		4002-3728-01	21	05	1	
4002-0902-01	11	01	1		4002-2523-01	07	26	1		4002-3321-01	09	25	2		4002-3729-01	21	06	5	
4002-0902-01	12	02	1		4002-2525-01	07	37	2		4002-3322-01	09	28	1		4002-3731-01	20	32	1	
4002-0902-01	15	21	1		4002-2528-01	07	29	1		4002-3325-01	09	06	1		4002-3732-01	20	33	1	
4002-0902-01	16	08	1		4002-2531-01	07	33	1		4002-3326-01	09	08	1		4002-3733-01	21	08	1	
4002-0902-01	20	22	3		4002-2536-02	07	35	1		4002-3327-01	10	23	1		4002-3734-01	21	10	1	
4002-0902-01	21	49	1		4002-2537-01	04	06	1		4002-3330-01	09	24	2		4002-3735-02	21	16	1	
4002-0902-01	22	19	1		4002-2538-01	04	10	1		4002-3331-02	10	05	4		4002-3737-01	20	15	1	
4002-0903-01	21	13	1		4002-2540-01	07	30	1		4002-3335-01	10	08	1		4002-3739-01	20	16	1	
4002-1001-01	01	16	1		4002-2541-01	07	38	1		4002-3336-01	10	09	1		4002-3741-01	20	17	1	
4002-1002-01	02	08	1		4002-2542-01	04	07	2		4002-3337-02	10	02	2		4002-3742-01	20	10	1	
4002-1003-01	01	08	1		4002-2543-02	07	36	2		4002-3338-01	09	13	1		4002-3743-01	20	11	1	
4002-1004-03	02	23	1		4002-2544-01	07	32	1		4002-3339-01	09	11	1		4002-3744-01	20	14	1	
4002-1005-02	02	13	1		4002-2545-02	07	40	1		4002-3340-01	09	07	1		4002-3746-01	21	17	1	
4002-1006-01	02	11	1		4002-2546-01	07	27	1		4002-3341-01	09	14	2		4002-3747-01	20	24	1	
4002-1012-01	01	10	2		4002-2551-01	07	48	1		4002-3342-01	09	15	1		4002-3748-01	20	25	1	
4002-1017-01	20	34	1		4002-2552-01	07	47	1		4002-3343-01	09	05	1		4002-3750-01	20	29	1	
4002-1020-01	02	17	1		4002-2555-01	07	49	1		4002-3344-01	08	03	4		4002-3752-01	20	28	1	
4002-1041-01	02	20	1		4002-2556-01	07	53	1		4002-3345-01	10	07	2		4002-3753-01	20	03	1	
4002-1043-01	02	19	1		4002-2557-01	07	01	1		4002-3407-01	10	20	1		4002-3754-01	20	31	1	
4002-1310-02	02	02	1		4002-2563-01	07	10	1		4002-3408-02	10	21	1		4002-3755-01	20	23	2	
4002-1315-01	03	01	2		4002-2564-01	07	07	1		4002-3409-01	11	29	1		4002-3759-01	21	27	2	
4002-1317-01	02	09	2		4002-2565-01	07	06	1		4002-3413-01	10	10	1		4002-3760-01	20	21	2	
4002-1319-01	03	11	1		4002-2566-01	07	02	1		4002-3414-01	10	12	1		4002-3763-01	21	20	1	
4002-1320-01	03	18	2		4002-2567-01	07	11	1		4002-3415-01	11	16	1		4002-3765-01	21	09	1	
4002-1329-01	03	10	1		4002-2568-01	07	14	1		4002-3416-01	11	17	1		4002-3766-01	21	14	1	
4002-1368-01	03	05	1		4002-2571-01	07	43	1		4002-3418-01	11	24	1		4002-3767-01	21	44	1	
4002-1369-01	03	06	1		4002-2574-02	07	51	1		4002-3501-02	15	20	1		4002-3768-01	21	45	1	
4002-1422-02	06	09	2		4002-2575-01	07	12	1		4002-3502-02	15	25	1		4002-3769-01	21	53	1	
4002-1423-01	06	04	4		4002-2577-01	07	15	1		4002-3503-01	15	18	1		4002-3770-01	21	01	1	
4002-1424-01	06	05	2		4002-2578-01	07	05	1		4002-3504-01	15	19	1		4002-3771-01	21	21	6	
4002-1433-01	03	02	1		4002-2580-01	07	28	1		4002-3505-01	16	04	1		4002-3774-01	21	37	1	
4002-1434-02	03	03	1		4002-2581-01	02	14	4		4002-3506-02	15	17	1		4002-3776-01	21	28	2	
4002-1451-01	06	03	2		4002-2582-01	07	23	1		4002-3507-02	15	26	1		4002-4001-01	13	48	1	
4002-1452-01	06	02	2		4002-3101-04	24	19	2		4002-3508-01	15	12	1		4002-4004-02	23	17	1	
4002-1453-01	06	12	1		4002-3103-01	24	05	2		4002-3514-01	17	14	1		4002-4102-01	16	29	2	
4002-1454-01	06	13	1		4002-3110-01	22	27	2		4002-3515-01	17	12	1		4002-4103-01	16	28	2	
4002-1456-01	06	01	2		4002-3111-01	22	25	2		4002-3518-01	15	22	1		4002-4105-02	16	33	1	
4002-1458-01	06	14	1		4002-3113-01	24	13	8		4002-3519-01	15	23	1		4002-5001-02	14	38	1	
4002-1468-01	06	06	2		4002-3115-01	24	07	2		4002-3521-01	17	13	1		4002-5003-02	14	17	1	
4002-1471-01	06	15	1		4002-3118-01	24	02	2		4002-3523-01	15	06	2		4002-5005-01	14	53	1	
4002-1480-01	06	07	2		4002-3119-01	24	10	2		4002-3524-01	15	14	1		4002-5006-01	14	50	1	
4002-1481-01	06	08	2		4002-3120-01	24	12	2		4002-3525-01	16	07	1		4002-5007-01	14	21	1	
4002-1601-01	01	06	1		4002-3121-03	24	18	2		4002-3526-01	16	11	1		4002-5009-01	13	26	2	
4002-1602-01	01	05	1		4002-3123-01	08	21	2		4002-3529-01	15	09	1		4002-5010-01	14	28	1	
4002-1603-01	01	01	1		4002-3125-01	05	03	2		4002-3530-01	15	07	1		4002-5011-01	14	25	1	
4002-1604-01	01	04	1		4002-3130-02	24	04	2		4002-3602-01	17	04	1		4002-5012-01	14	18	1	
4002-1605-01	01	03	1		4002-3136-02	24	23	2		4002-3607-01	17	02	1		4002-5013-02	14	24	1	
4002-1606-01	01	07	2		4002-3201-01	09	33	2		4002-3701-01	21	34	1		4002-5014-01	14	23	1	
4002-1953-01	23	18	1		4002-3203-01	09	32	2		4002-3703-01	21	33	2		4002-5015-01	14	19	1	
4002-2014-01	05	04	1		4002-3205-01	09	35	2		4002-3704-01	20	13	4		4002-5022-01	14	55	1	
4002-2020-01	23	16	2		4002-3206-03	09	36	2		4002-3704-01	21	31	4		4002-5030-01	07	46	1	
4002-2035-01	04	18	1		4002-3208-02	09	20	2		4002-3705-01	20	09	4		4002-5031-01	07	50	1	
4002-2037-01	04	01	1		4002-3209-01	09	34	2		4002-3705-01	21	32	4		4002-5032-01	07	45	1	
4002-2038-01	05	02	2		4002-3211-02	09	17	2		4002-3707-01	21	41	1		4002-5033-01	07	44	1	



PART NO.	FIG.	INDEX	QTY		PART NO.	FIG.	INDEX	QTY		PART NO.	FIG.	INDEX	QTY		PART NO.	FIG.	INDEX	QTY		
4002-5034-01	14	27	1		4122-0901-01	09	22	2		9332-3610-13	21	15	1							
4002-5203-01	12	06	1		4122-0901-01	22	26	4		9332-5310-31	23	22	1							
4002-5253-01	04	15	1		4425-0152-02	08	05	2		9332-5910-41	16	25	1							
4002-5254-01	12	13	1		4425-3021-02	08	06	2		9334-1610-11	18	22	1							
4002-5258-01	12	01	1		4425-3024-01	08	07	2		9334-2610-11	03	21	1							
4002-5259-01	12	17	1		4425-3032-01	09	26	2		9334-2610-11	14	12	1							
4002-5502-01	13	23	1		4425-3103-12	10	04	8		9335-1310-11	03	16	1							
4002-5701-01	19	01	1		4425-3103-12	20	19	4		9335-1310-11	03	17	1							
4002-5702-01	19	06	1		4425-3130-01	09	09	1		9335-1310-41	03	20	1							
4002-5704-01	19	03	2		4425-3203-05	24	21	2		9335-1310-41	08	09	2							
4002-5705-01	19	13	2		4425-3204-13	08	10	2		9335-1910-71	03	15	1							
4002-5706-01	19	05	2		4425-3205-01	08	17	2		9335-1910-81	03	12	1							
4002-5709-02	19	12	1		4425-3206-01	08	16	2		9335-1910-81	03	13	1							
4002-5710-02	19	10	1		4425-3207-01	08	18	2		9341-2810-11	22	10	1							
4002-5732-01	18	07	1		4425-3208-01	08	14	2		9343-4210-21	22	17	1							
4002-5737-01	18	03	1		4425-3212-01	08	15	2		9346-3910-41	22	31	6							
4002-5738-01	18	18	1		4425-3213-01	24	20	2		9351-1410-11	04	14	1							
4002-5739-01	18	20	1		4425-3216-02	24	15	2		9352-2910-42	19	02	1							
4002-5754-01	19	08	1		4425-3217-01	24	16	2		9352-2910-52	19	02	1							
4002-5778-01	19	09	1		4425-3224-13	08	22	2		9352-2910-62	19	02	1							
4002-5783-01	18	09	5		4425-3225-02	08	11	2		9352-2910-71	19	04	1							
4002-5790-01	18	12	5		4425-3227-02	08	13	2		9352-2910-81	19	04	1							
4002-5797-01	18	15	1		4425-3241-03	08	20	2		9352-2910-91	19	04	1							
4002-5798-01	18	16	1		4425-3242-02	08	19	2		9352-6310-11	23	15	1							
4002-5799-01	18	01	1		4425-3257-01	24	09	2		9352-6310-31	16	24	1							
4002-6059-01	23	10	1		4425-3626-01	09	27	1		9372-2000-51	18	21	1							
4002-6201-02	22	08	1		4425-3715-01	17	11	1		9372-2910-31	19	07	1							
4002-6202-02	22	08	1		4425-3770-01	17	10	1		9381-4810-31	22	30	1							
4002-6203-01	11	13	2		4426-3138-01	20	08	4		9381-4810-61	22	30	1							
4002-6204-02	22	11	1		4498-3827-01	24	01	2		9381-4911-01	22	30	1							
4002-6206-01	06	11	1		4550-3457-01	10	18	1		9381-4911-21	22	30	1							
4002-6208-01	11	12	1		4640-3831-01	21	36	1		9383-2210-41	04	04	1							
4002-6209-01	03	09	1		4640-3832-01	21	39	1		9383-2310-31	04	03	2							
4002-6209-01	23	01	1		9311-3910-11	07	31	1		9383-2910-11	04	02	1							
4002-6210-01	03	19	2		9312-1910-11	14	47	1		9384-1110-61	25	04	3							
4002-6210-01	04	19	1		9312-1910-21	12	18	1		9384-1310-11	25	05	58							
4002-6210-01	23	09	2		9313-1310-61	22	29	1		9384-1310-81	25	11	31							
4002-7303-02	01	22	1		9313-1310-92	23	14	1		9384-1310-91	25	01	33							
4002-7304-02	01	19	1		9313-1910-31	22	01	2		9384-1311-01	25	02	33							
4002-7305-01	01	15	1		9313-1910-31	23	26	1		9384-1311-11	25	22	3							
4002-7306-01	24	06	2		9313-1911-31	22	07	1		9384-1311-21	25	03	5							
4002-7307-01	24	24	2		9313-1911-41	03	22	1		9384-1621-21	07	20	1							
4002-7308-01	24	17	2		9313-1911-41	23	13	1		9384-1621-81	22	12	2							
4002-7310-01	10	16	1		9314-1000-41	09	03	1		9384-1820-31	25	06	3							
4002-7311-01	10	16	1		9314-1000-51	09	18	1		9384-1900-57	23	19	4							
4002-7312-01	10	11	1		9314-1000-61	15	01	1		9384-1910-61	23	04	6							
4002-7313-01	21	51	1		9314-1000-72	15	03	1		9384-1911-11	25	21	8							
4002-7314-01	17	09	1		9314-1910-81	06	16	1		9384-1920-11	22	05	5							
4002-7315-02	02	22	1		9314-1911-11	20	02	1		9384-1921-01	25	07	3							
4002-7316-01	01	14	1		9314-1911-43	09	04	2		9384-1921-11	25	08	4							
4002-7318-01	21	52	1		9314-2910-71	07	17	1		9384-1921-21	25	09	2							
4002-7319-01	24	17	2		9314-2910-81	07	16	1		9384-1921-31	25	10	13							
4002-7320-01	18	14	1		9314-2910-91	07	19	1		9384-2010-21	25	15	14							
4002-7321-01	01	21	1		9321-2621-11	20	26	1		9384-2010-31	25	12	14							
4002-7322-01	01	21	1		9321-2810-31	11	11	1		9384-2010-41	25	13	6							
4002-7323-01	01	21	1		9321-2910-71	14	42	1		9384-2310-41	02	10	2							
4002-7801-01	06	18	1		9321-2910-81	20	01	1		9384-2610-11	25	14	3							
4002-7802-01	06	17	1		9323-1910-11	23	21	1		9384-2910-11	03	23	1							
4002-7901-01	25	28	1		9324-1810-11	22	20	1		9459-1807-01	22	16	1							
4002-7902-01	25	32	1		9324-1810-21	22	20	1												
4002-7903-01	25	29	1		9324-1810-31	22	20	1												
4002-7904-01	25	30	1		9326-1000-51	23	25	1												
4002-7905-01	25	31	1		9326-1000-61	23	02	2												
4003-0751-01	25	34	1		9326-1000-71	23	24	1												
4003-7301-01	01	13	1		9326-1610-21	05	09	1												
4003-7325-01	01	24	1		9326-1910-21	03	24	1												
4101-5206-01	12	08	1		9326-1910-21	22	28	1												
4102-3133-02	21	26	1		9326-1910-21	23	03	1												
4102-3149-01	20	06	1		9326-2900-06	14	10	1												
4114-5202-02	12	16	1		9331-2710-11	05	06	1												



*Copyright*  
*2000 MINOLTA Co., Ltd.*  
*Printed in Japan*

4003-7995-21 00082830