

PARTS CATALOGUE

product code

DA7450

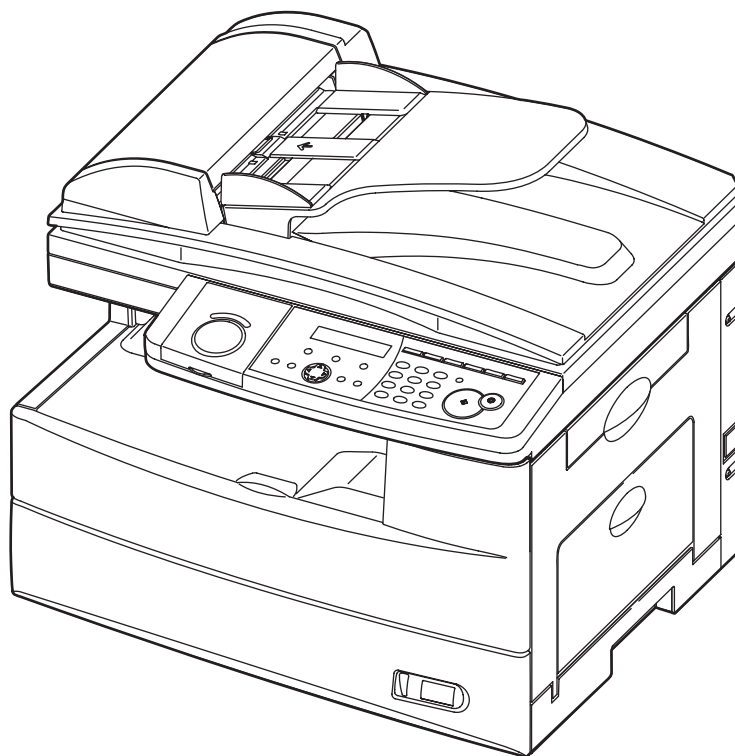
Konica Minolta

130f

EUR

PRICE

EURO



date

2004/08/25

AA

A

This page is intentionally left blank

<HOW TO USE THIS CATALOGUE>

1. INTRODUCTION

Before placing a purchase order for spare parts, please read following instructions to avoid any misunderstandings.

2. DEFINITION

In this catalogue, a "part" means each component of a fax machine. Every part has its own name and own number in order to distinguish each other.

3. HOW TO SEE THIS CATALOGUE

Example: 130f ← <1> PARTS LIST

D61-001 ← <2>

NO	← <3>	PART NO	← <4>	PART NAME	← <5>	QTY	← <6>	REMARK	← <7>
<8>→ *	001-001	0700200001		TOP COVER		1			
*	002	0700200101		LCD WINDOW		1			
	003	0700200102		TEN KEY		1		2.310	
	101	0700200103		TOP COVER ASSY		1		1.200	

(1) Explanation :

- <1> Machine Name : Name of the machine you use.
- <2> Page Index : Used to refer the page number of illustration.
- <3> Index No : Represents reference number of each part in the illustration.
- <4> Part No : Part number.
- <5> Part Name : Name of the part.
- <6> Q'ty : The quantity of the part which this "Index No" indicates.
- <7> Remark : List of remarks.
- <8> Asterisk (*) : Parts marked with an asterisk are not available as stand-alone parts. So, prices for those parts are not shown .They must be ordered as an assembly which is surrounded by a black-edged block in the illustration.

(2) HOW TO USE THIS CATALOGUE

The catalogue consists of an illustration and Parts List. Please identify your requested part in the illustration on the left page, find the index number and look through the right page to find the part number of the required component.

4. ILLUSTRATION

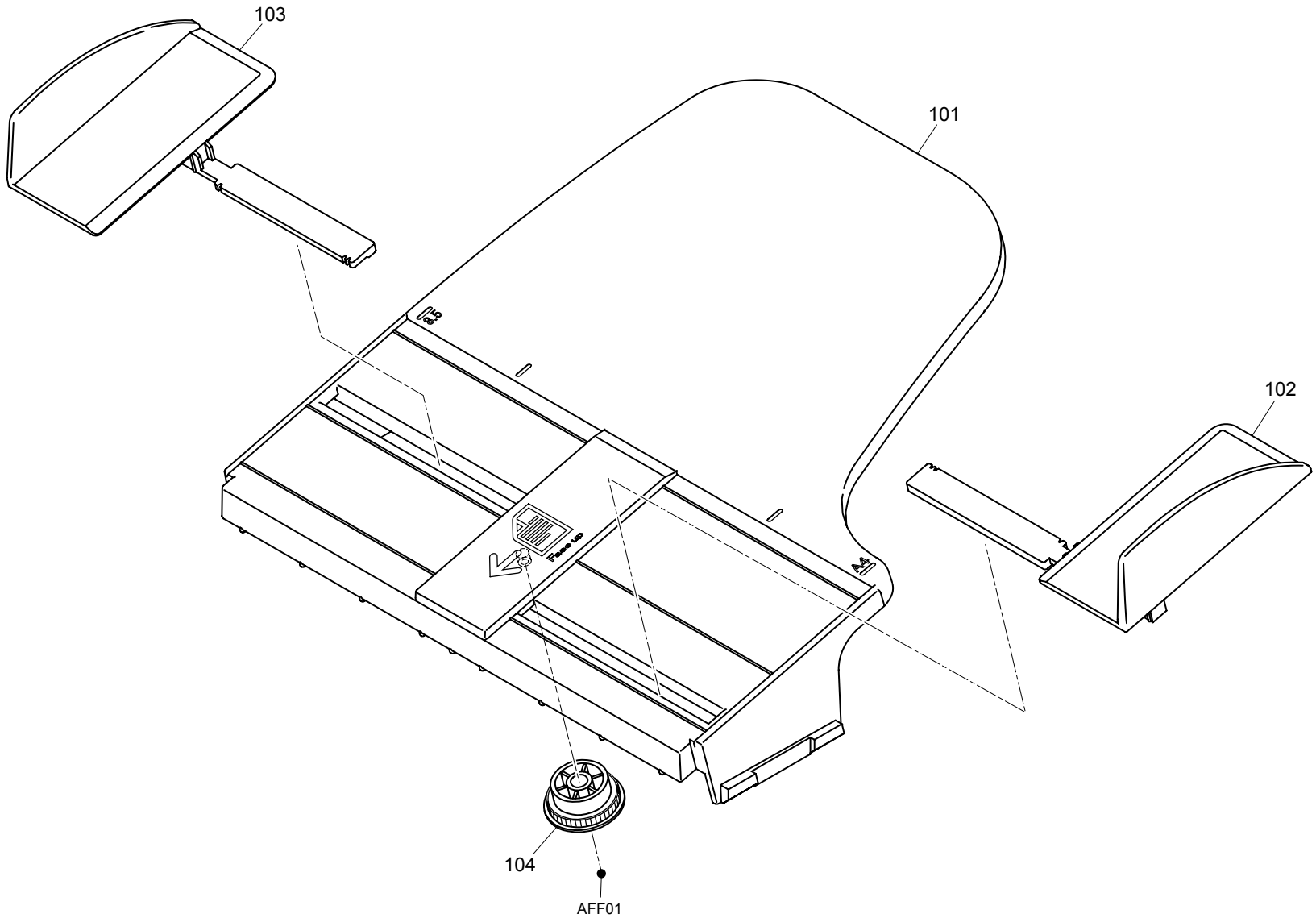
The shape or quantity of parts may differ from this illustration depending on country.

This page is intentionally left blank

CONTENTS

DA7-002	COVER PLATEN	DA7-019	PRINTER JAM ACCESS COVER
DA7-003	ADF GUIDE	DA7-020	PRINTER TRANSFER
DA7-004	ADF MOTOR	DA7-021	PRINTER MULTI PURPOSE
DA7-005	PANEL	DA7-022	PRINTER CASSETTE (1st)
DA7-006	TOP COVER	DA7-023	PRINTER CASSETTE (2nd) 1
DA7-007	CHASSIS SCANNER	DA7-024	PRINTER CASSETTE (2nd) 2
DA7-008	SCANNER	DA7-030	OPTION PARALLEL
DA7-009	PRINTER COVER	DA7-031	OPTION COUNTER
DA7-010	PRINTER POWER SUPPLY/NCU	DA7-033	OPTION MEMORY
DA7-011	PRINTER PCB MAIN	DA7-081	ACCESSORY1
DA7-012	PRINTER CHASSIS1	DA7-082	ACCESSORY2
DA7-013	PRINTER CHASSIS2	DA7-083	ENCLOSURE
DA7-014	PRINTER CHASSIS3	DA7-084	ACCESSORY/ENCLOSURE (CASSETTE/CABINET)
DA7-015	PRINTER DRIVE1	DA7-085	ACCESSORY/ENCLOSURE (OPTION)
DA7-016	PRINTER DRIVE2	DA7-091	COMSUMABLE
DA7-017	PRINTER EXIT		
DA7-018	PRINTER FUSER		

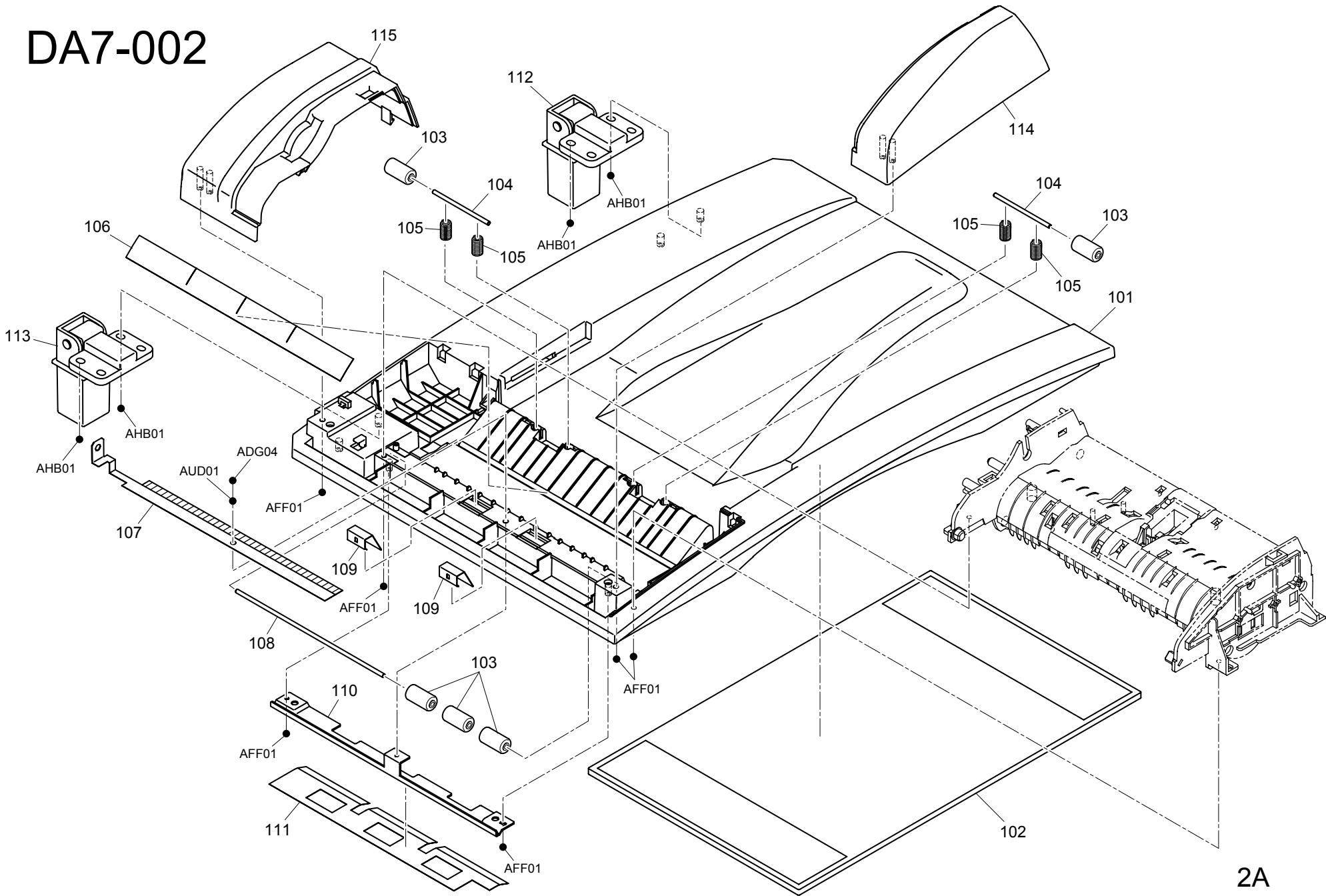
DA7-001



DA7 - 001

NO	PARTS NO	PARTS NAME	Q'TY	REMARK
001 - 101	0700200001	TRAY DOCUMENT	1	
102	0700200101	GUIDE DOCUMENT F	1	
103	0700200102	GUIDE DOCUMENT B	1	
104	0700200103	GEAR 40 0.6 A	1	

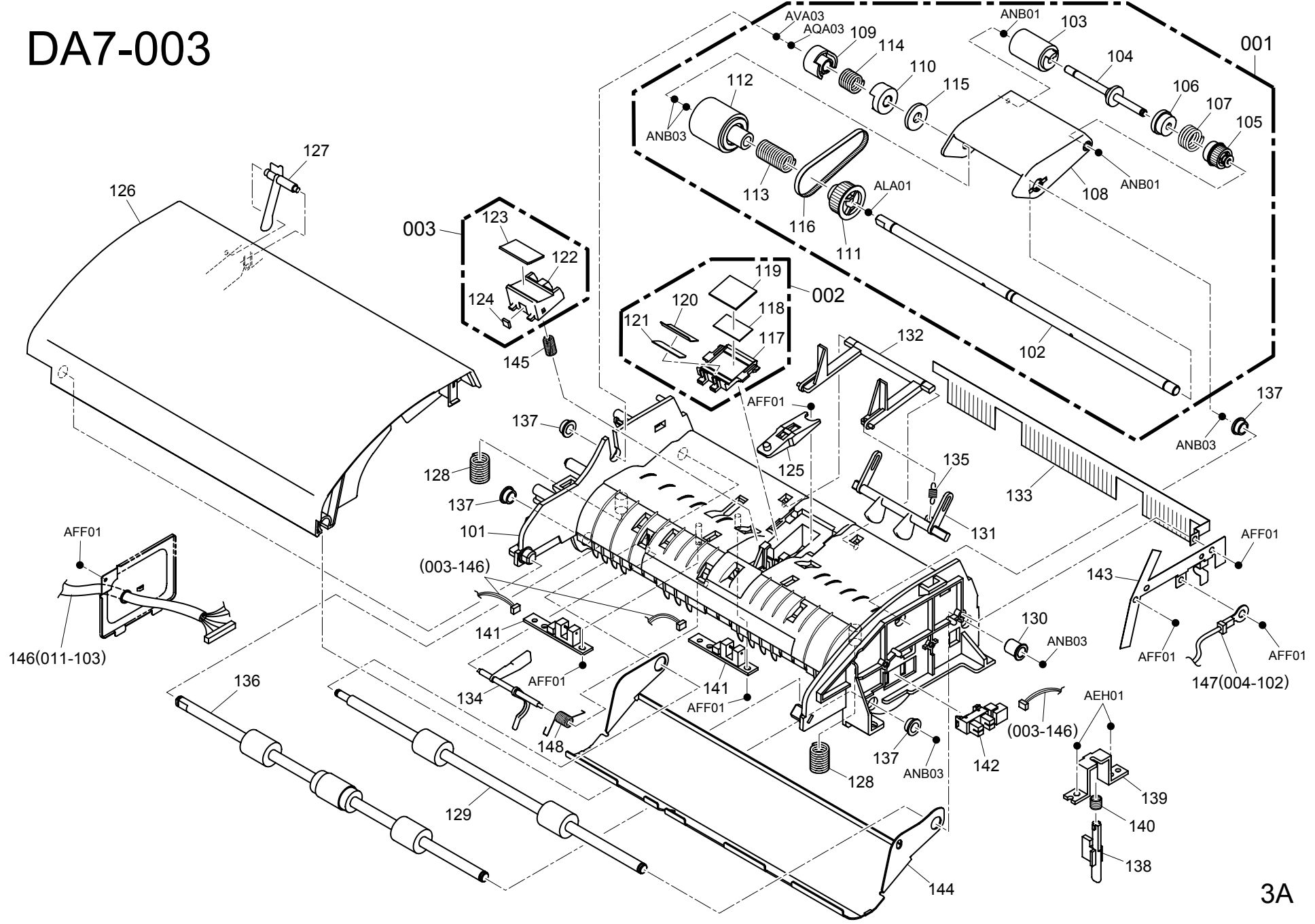
DA7-002



DA7 - 002

NO	PARTS NO	PARTS NAME	Q'TY	REMARK
002 - 101	0700200104	COVER PLATEN	1	
102	0700200105	SHEET DOCUMENT PRESS	1	
103	0700200106	TX PRESS ROLLER	5	
104	0700200107	SHAFT PRESS ROLLER B	2	
105	0700200108	SPRING C A	4	
106	0700200109	SHEET PLATEN B	1	
107	0700200110	BRUSH A	1	
108	0700200111	SHAFT PRESS ROLLER A	1	
109	0700200112	SPRING P A	2	
110	0700200113	STAY PLATEN	1	
111	0700200114	SHEET PLATEN A	1	
112	0700200115	HINGE R	1	
113	0700200116	HINGE L	1	
114	0700200117	COVER TX SIDE F	1	
115	0700200118	COVER TX SIDE B	1	

DA7-003



DA7 - 003

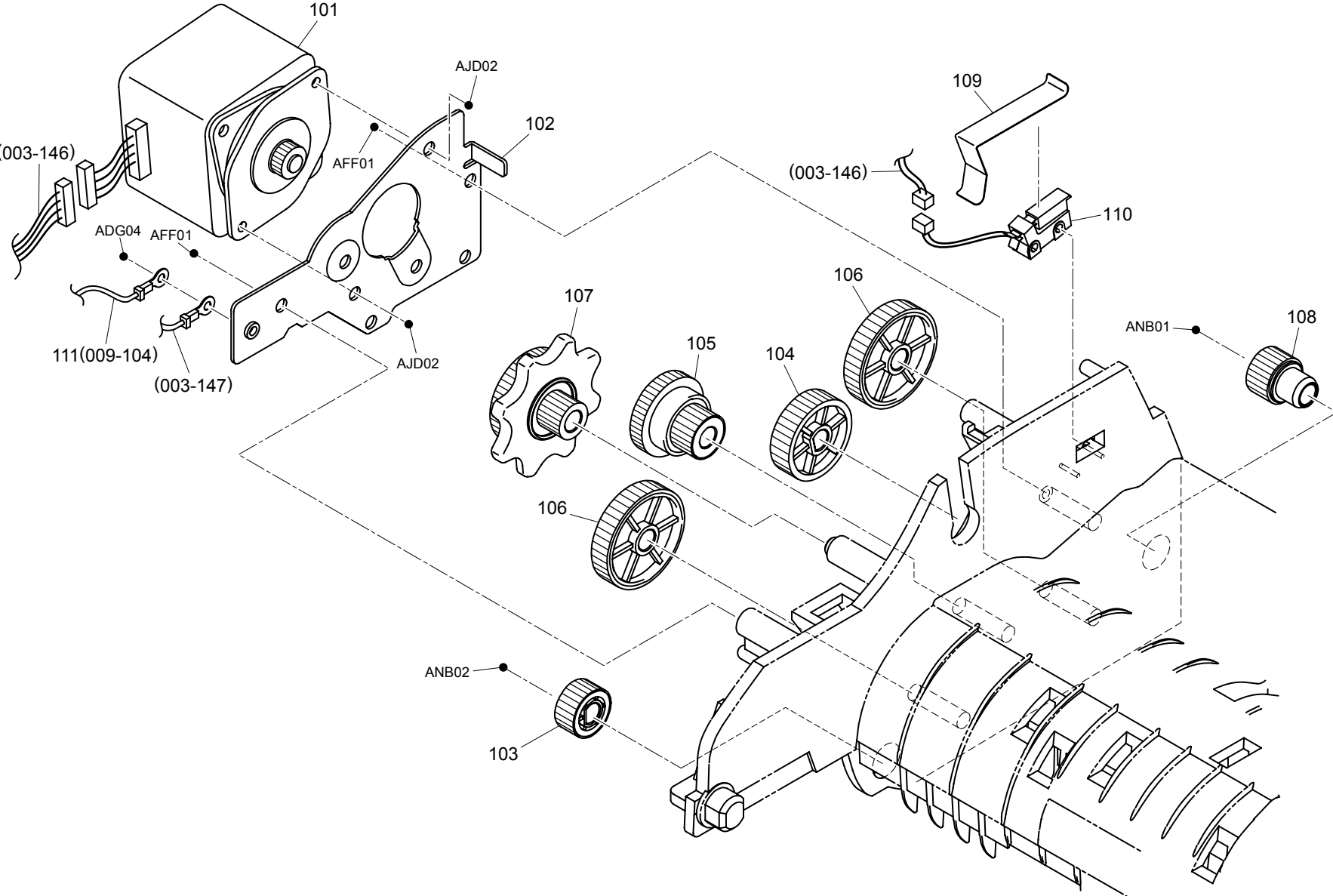
NO	PARTS NO	PARTS NAME	Q'TY	REMARK
003 - 001	0700200119	ASSY SHAFT SEPARATOR	1	
	002	0700200120	1	
	003	0700200121	1	
	101	0700200122	1	
*	102	SHAFT SEPARATOR	1	included in 003-001
*	103	ROLLER PICKUP	1	included in 003-001
*	104	SHAFT PICKUP	1	included in 003-001
*	105	PULLEY 20	1	included in 003-001
*	106	HUB PICKUP	1	included in 003-001
*	107	SPRING C CLUTCH	1	included in 003-001
*	108	ARM PICKUP	1	included in 003-001
*	109	HUB SEPARATOR A	1	included in 003-001
*	110	HUB SEPARATOR B	1	included in 003-001
*	111	PULLEY 24	1	included in 003-001
*	112	ROLLER SEPARATOR	1	included in 003-001
*	113	SPRING C ONEWAY	1	included in 003-001
*	114	SPRING C PICKUP	1	included in 003-001
*	115	SHEET FELT	1	included in 003-001
*	116	BELT 124T	1	included in 003-001
*	117	COVER SEPARATOR	1	included in 003-002
*	118	PICKUP CUSHION 2	1	included in 003-002
*	119	PICKUP PAD	1	included in 003-002
*	120	SHEET SEPARATOR	1	included in 003-002
*	121	PAD SEPARATOR B	1	included in 003-002
*	122	PIECE SEPARATOR	1	included in 003-003
*	123	PAD SEPARATOR A	1	included in 003-003
*	124	SEPARATOR CUSHION	1	included in 003-003
	125	0700200146	1	
	126	0700200147	1	

DA7 - 003

NO	PARTS NO	PARTS NAME	Q'TY	REMARK
003 - 127	0700200148	FEELER DS1	1	
128	0700200149	SPRING C DOCUMENT PRESS	2	
129	0700200150	ROLLER EXIT ADF	1	
130	0700200151	BEARING D6 8	1	
131	0700200152	STOPPER DOCUMENT B	1	
132	0700200153	STOPPER DOCUMENT A	1	
133	0700200154	BRUSH B	1	
134	0700200155	FEELER DS2	1	
135	0700200156	SPRING C STOPPER DOCUMENT	1	
136	0700200157	ROLLER FEED	1	
137	0700200158	BEARING D6	4	
138	0700200159	APS FEELER	1	
139	0700200160	APS BRACKET	1	
140	0700200161	APS SPRING	1	
141	0700200162	PCB SENSOR	2	
142	0700200163	PHOTO INTERRUPTER	1	
143	0700200164	SPRING P EARTH	1	
144	0700200165	GUIDE INNER B	1	
145	0700200166	SPRING C SEPARATOR	1	
146	0700200167	CBL-ASSY(SENSOR-CONNECT A)	1	
147	0700200168	FG CABLE(SPR P EARTH-BKT MOTOR ADF)	1	
148	0700200594	SPRING T SENSOR	1	

This page is intentionally left blank

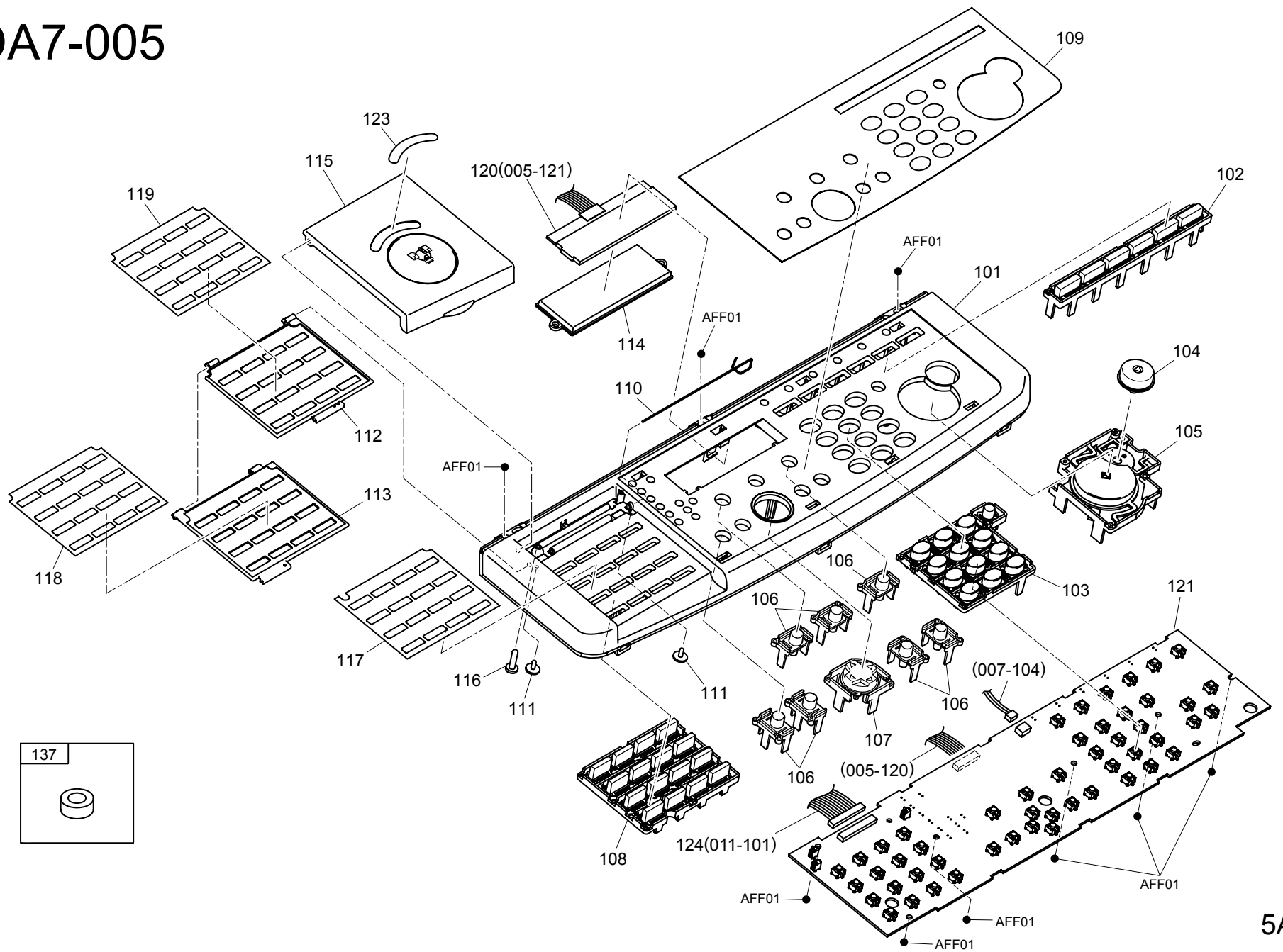
DA7-004



DA7 - 004

NO	PARTS NO	PARTS NAME	Q'TY	REMARK
004 - 101	0700200169	MOTOR (ADF)	1	
102	0700200170	BRACKET MOTOR ADF	1	
103	0700200171	GEAR 27 0.5	1	
104	0700200172	GEAR 40 0.6 B	1	
105	0700200173	GEAR 24/47	1	
106	0700200174	GEAR 59 0.5	2	
107	0700200175	GEAR 18/55	1	
108	0700200176	GEAR 27 0.5 ONEWAY	1	
109	0700200177	SPRING P IL	1	
110	0700200178	CBL-ASSY(MICRO SW-ASSY ADF)	1	
111	0700200179	FG CABLE	1	

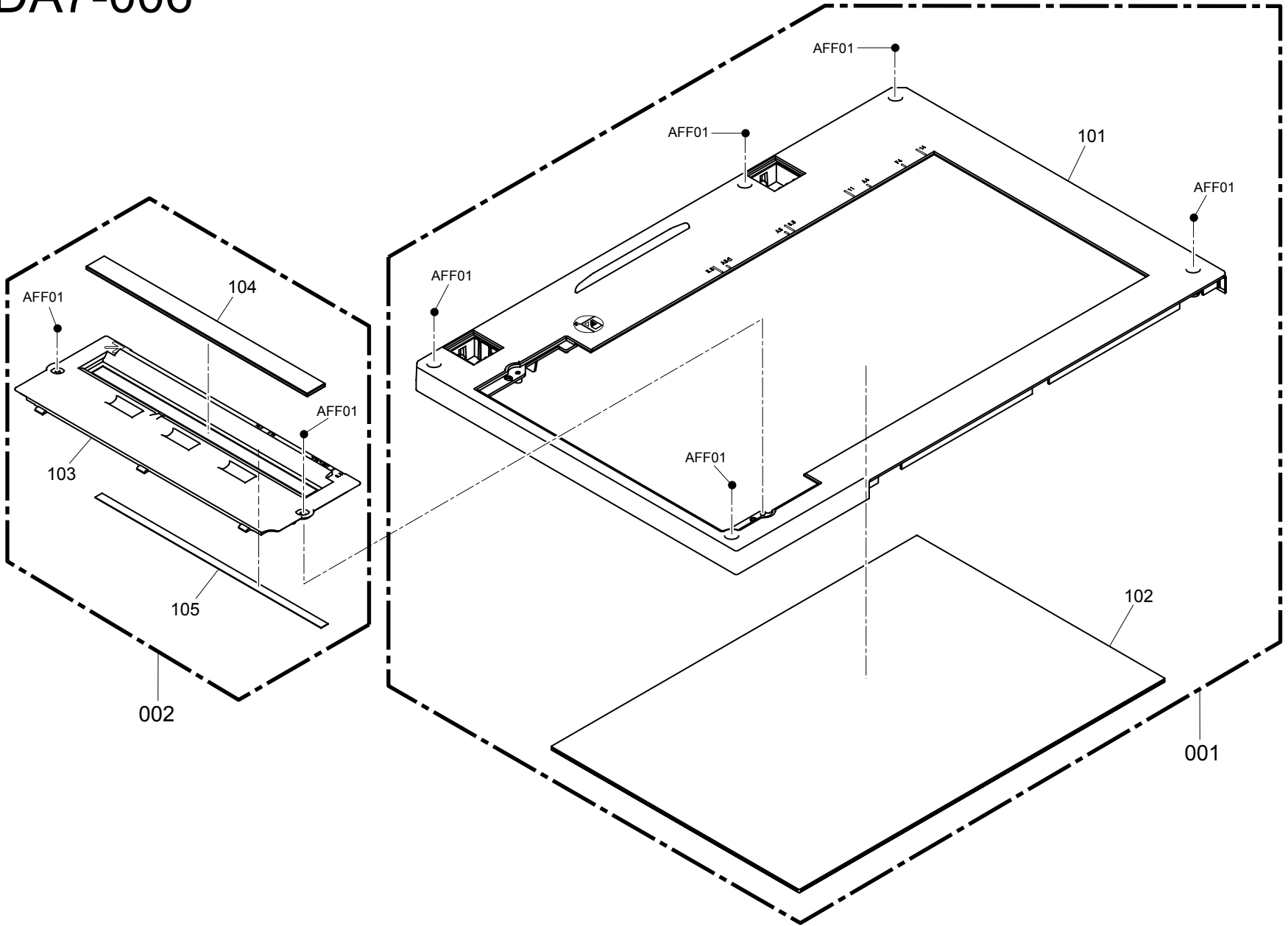
DA7-005



DA7 - 005

NO	PARTS NO	PARTS NAME	Q'TY	REMARK
005 - 101	0700200180	COVER PANEL	1	
102	0700200181	KEY FUNCTION	1	
103	0700200182	KEY TEN	1	
104	0700200183	KEY STOP	1	
105	0700200184	KEY START	1	
106	0700200185	KEY MENU	7	
107	0700200186	KEY CURSOL	1	
108	0700200187	KEY ONE-TOUCH	1	
109	0700200188	OVERLAY	1	
110	0700200189	PANEL HINGE PIN	1	
111	0700200190	SENSOR PIN	2	
112	0700200191	COVER ONE-TOUCH A	1	
113	0700200192	COVER ONE-TOUCH B	1	
114	0700200193	LCD SUPPORT	1	
115	0700200194	COVER ONE-TOUCH	1	
116	0700200195	PIN SENSOR	1	
117	0700200196	LABEL ONE-TOUCH A	1	
118	0700200197	LABEL ONE-TOUCH B	1	
119	0700200198	LABEL ONE-TOUCH B	1	
120	0700200199	DISPLAY	1	
121	0700200200	PCB PANEL 1	1	
123	0700200201	LABEL KEY MODE	1	
124	0700200202	CBL-ASSY(PANEL-MAIN)	1	
137	0700200595	CORE	1	

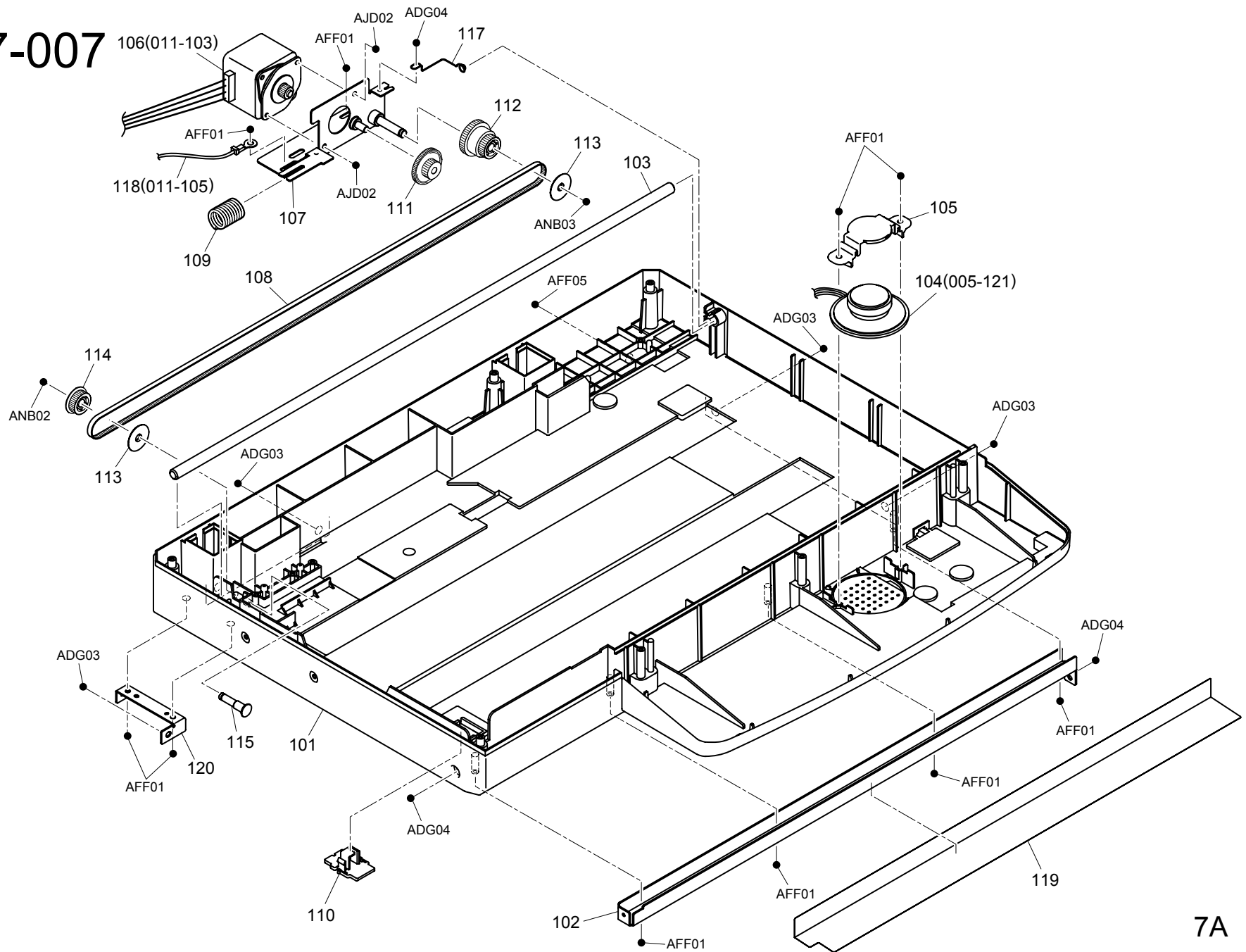
DA7-006



DA7 - 006

NO	PARTS NO	PARTS NAME	Q'TY	REMARK
006 - 001	0700200203	ASSY COVER TOP	1	
	002	0700200204	ASSY COVER CONTACT	1
*	101	COVER TOP	1	included in 006-001
*	102	PANE	1	included in 006-001
*	103	COVER CONTACT	1	included in 006-002
*	104	GLASS CONTACT	1	included in 006-002
*	105	BACKGROUND SEAL	1	included in 006-002

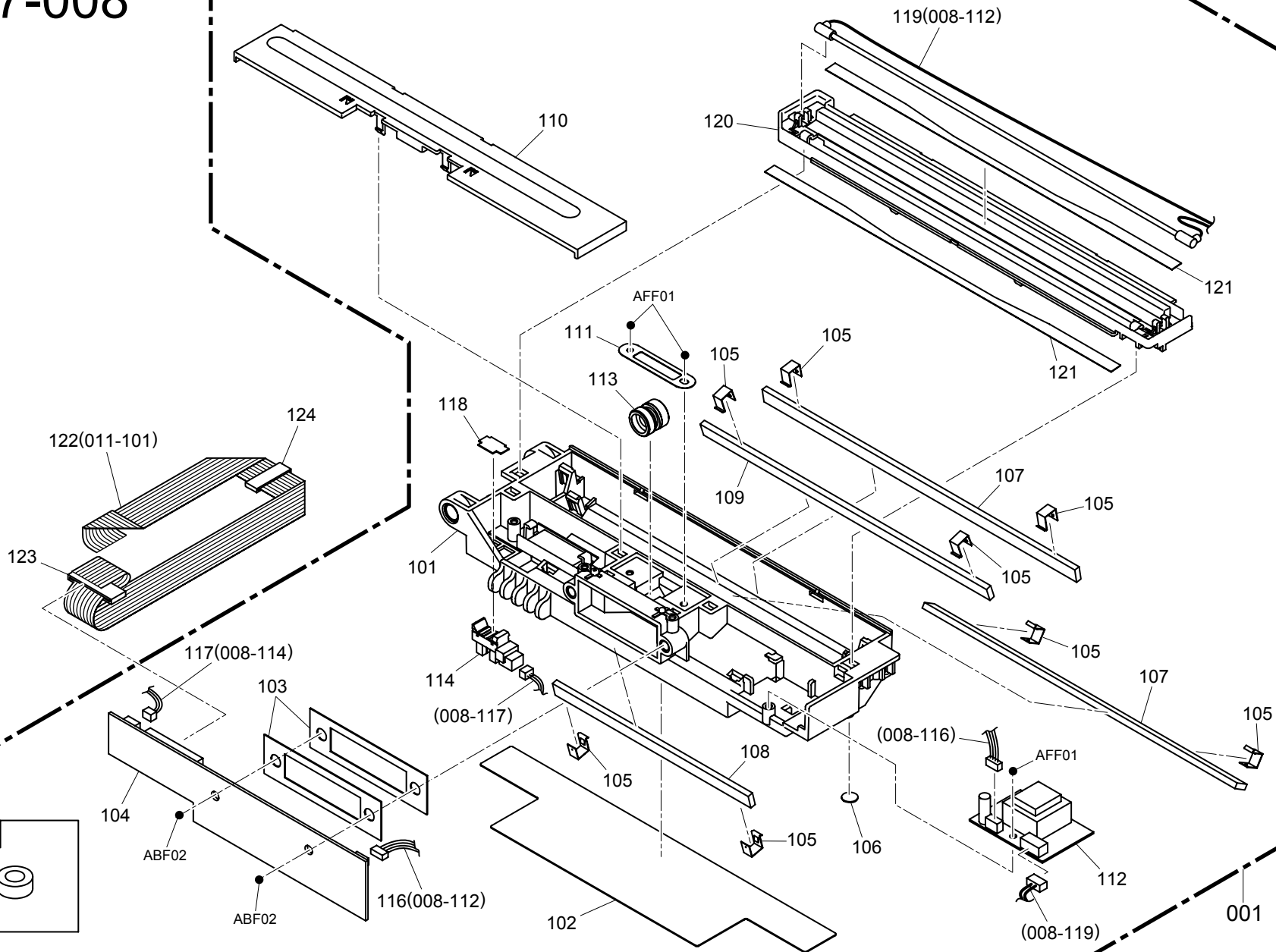
DA7-007



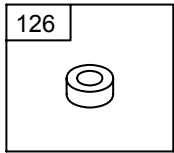
DA7 - 007

NO	PARTS NO	PARTS NAME	Q'TY	REMARK
007 - 101	0700200210	CHASSIS FBS	1	
102	0700200211	STAY FRONT	1	
103	0700200212	SHAFT GUIDE	1	
104	0700200213	SPEAKER	1	
105	0700200214	HOLDER SPEAKER	1	
106	0700200215	MOTOR (FBS)	1	
107	0700200216	BRACKET MOTOR FBS	1	
108	0700200217	BELT 475T	1	
109	0700200218	SPRING C TENSION	1	
110	0700200219	LOCK CARRIAGE	1	
111	0700200220	GEAR 33/55	1	
112	0700200221	GEAR 65/27P	1	
113	0700200222	PULLEY FRANGE B	2	
114	0700200223	FBS TENSION PULLEY	1	
115	0700200224	STUD D6 23.2	1	
117	0700200225	SPRING C FG	1	
118	0700200226	FG CABLE(BKT MOTOR FBS-PLATE MAIN A)	1	
119	0700200227	SHEET FBS FRONT	1	
120	0700200228	PLATE FG MAIN	1	

DA7-008



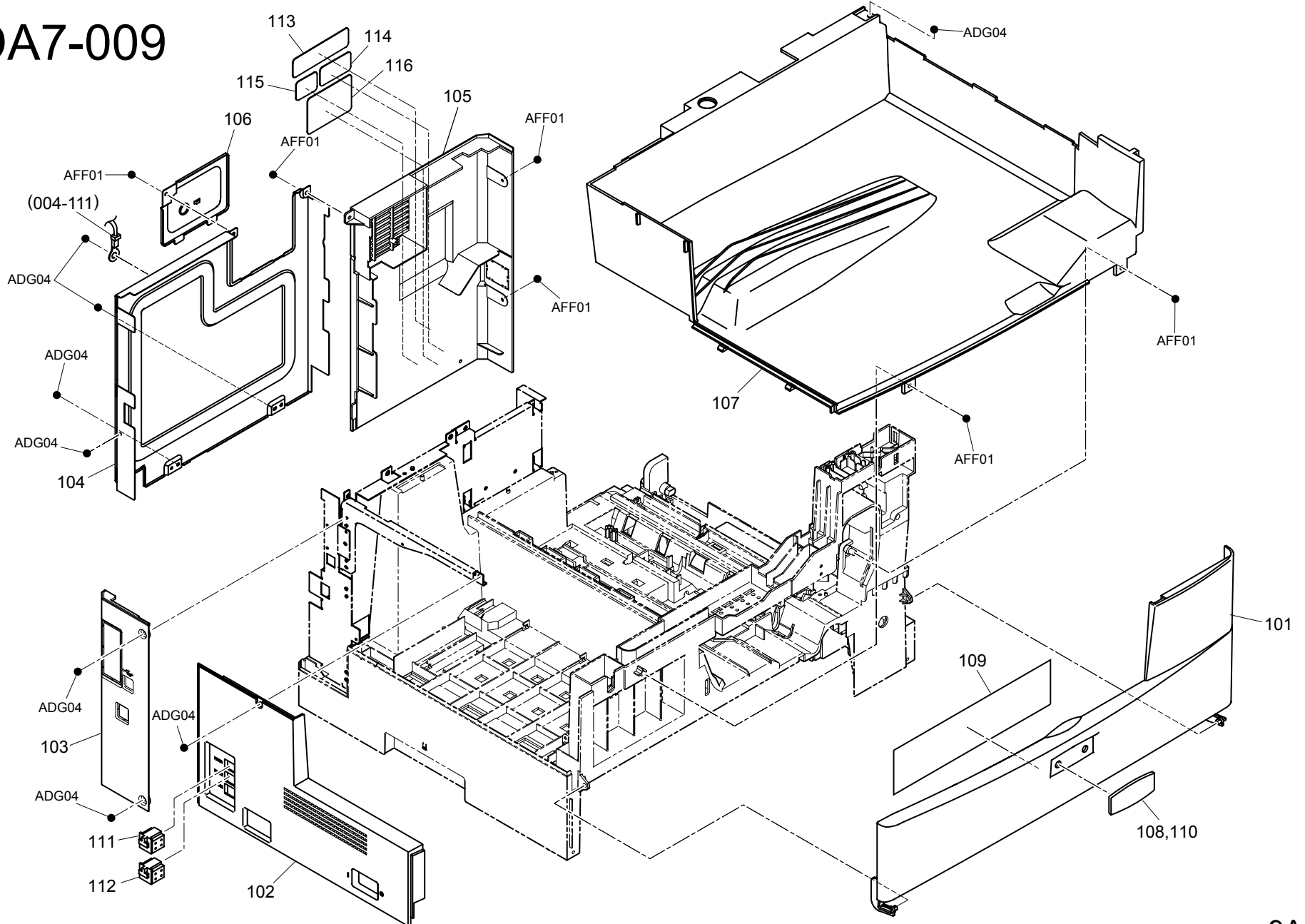
126



DA7 - 008

NO	PARTS NO	PARTS NAME	Q'TY	REMARK
008 - 001	0700200229	ASSY SCANNER	1	
*	101	FRAME SCANNER	1	included in 008-001
*	102	COVER SCANNER	1	included in 008-001
*	103	CCD SPACER B	2	included in 008-001
*	104	PCB CCD	1	included in 008-001
*	105	MIRROR CLAMP	8	included in 008-001
*	106	SLIDER	1	included in 008-001
*	107	MIRROR A	2	included in 008-001
*	108	MIRROR B	1	included in 008-001
*	109	MIRROR C	1	included in 008-001
*	110	COVER LENS	1	included in 008-001
*	111	SUPPORTER LENS	1	included in 008-001
	112	0700200241	PCB INVERTER	1
*	113	LENS	1	included in 008-001
*	114	PHOTO INTERRUPTER	1	included in 008-001
*	116	CBL-ASSY(CCD-INVERTER)	1	included in 008-001
*	117	CBL-ASSY(CCD-PH_INT)	1	included in 008-001
*	118	SENSOR STOPPER	1	included in 008-001
	119	0700200247	ASSY LAMP	1
*	120	CASE LAMP	1	included in 008-001
*	121	SHEET REFLECT A	2	included in 008-001
	122	0700200250	CBL-ASSY(CCD-MAIN)	1
	123	0700200251	CORE	1
	124	0700200252	CORE	1
	126	0700200596	CORE	1

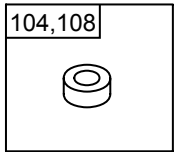
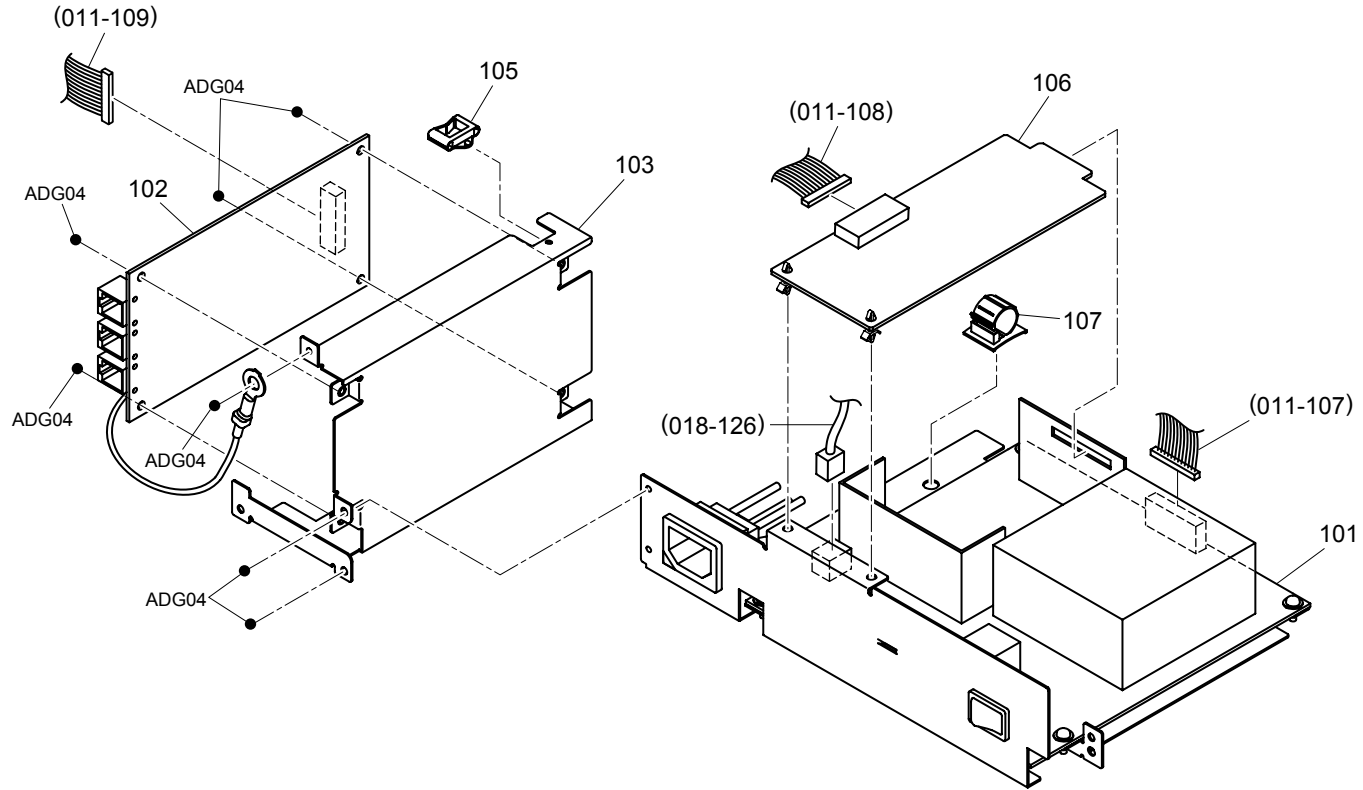
DA7-009



DA7 - 009

NO	PARTS NO	PARTS NAME	Q'TY	REMARK	
009 - 101	0700200253	COVER FRONT	1		
102	0700200254	COVER LEFT	1		
103	0700200255	COVER OPTION	1		
104	0700200256	COVER SHIELD	1		
105	0700200257	COVER BACK	1		
106	0700200258	COVER CONNECT	1		
107	0700200259	TRAY PAPER EXIT	1		
109	0700200260	LABEL COVER FRONT	1		
110	0700200261	SHEET COVER FRONT	1		
111	0700200262	MODULAR JACK COVER(PHONE1)	1		
112	0700200263	MODULAR JACK COVER(PHONE2)	1		
*	113	LABEL ID	1	n/a	
	114	0700200597	LABEL LED_PRODUCT	1	
	115	0700200598	LABEL WARNING	1	
*	116	LABEL BARCODE	1	n/a	

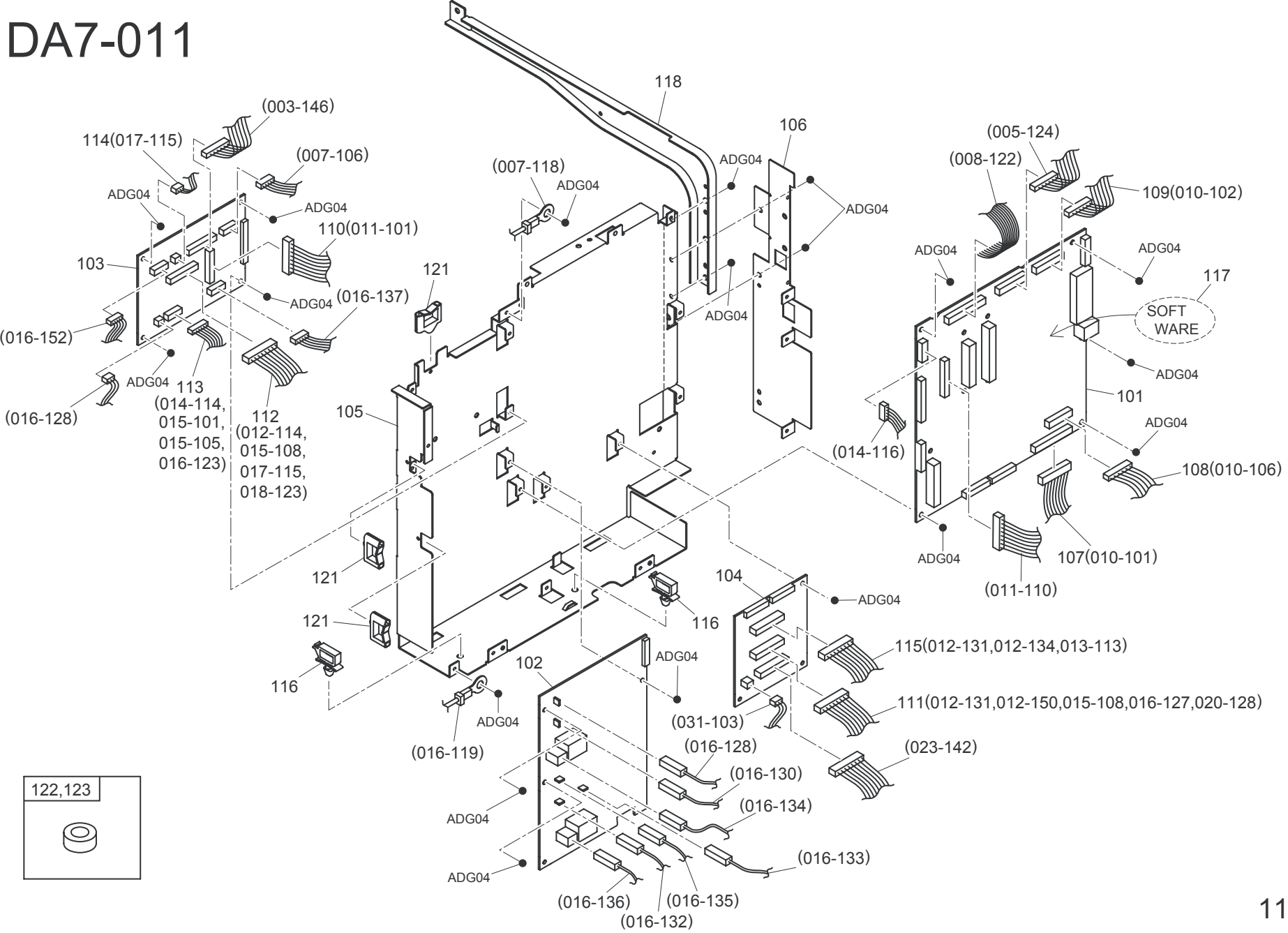
DA7-010



DA7 - 010

NO	PARTS NO	PARTS NAME	Q'TY	REMARK
010 - 101	0700200264	PCB PSU	1	
102	0700200265	PCB NCU	1	
103	0700200266	PLATE NCU	1	
105	0700200267	CLAMP (PLATE NCU)	1	
107	0700200599	CLAMP (PLATE PS)	1	
108	0700200600	CORE(MAIN-PSU)	1	

DA7-011



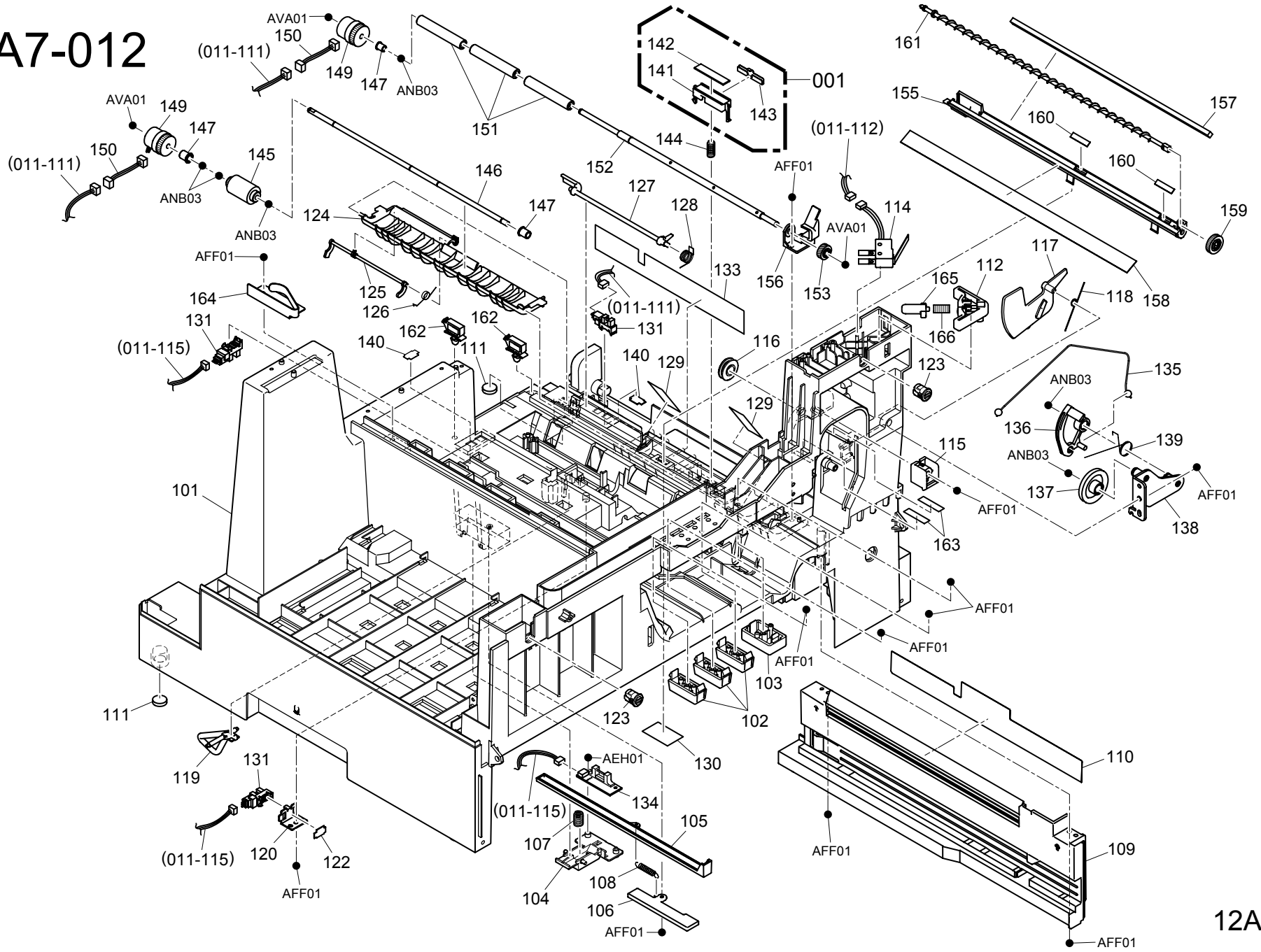
122,123



DA7 - 011

NO	PARTS NO	PARTS NAME	Q'TY	REMARK
011 - 101	0700200268	PCB MAIN	1	
102	0700200269	POWER-SUPPLY	1	
103	0700200270	PCB CONNECT A	1	
104	0700200271	PCB CONNECT B	1	
105	0700200272	PLATE MAIN A	1	
106	0700200273	PLATE MAIN B	1	
107	0700200274	CBL-ASSY(MAIN-PSU)	1	
108	0700200275	CBL-ASSY(MAIN-PCB DCDC)	1	
109	0700200276	CBL-ASSY(MAIN-NCU)	1	
110	0700200277	CBL-ASSY(CONNECT A-MAIN)	1	
111	0700200278	CBL-ASSY(CONNECT B-PH_INT)	1	
112	0700200279	CBL-ASSY(CONNECT A-IL)	1	
113	0700200280	CBL-ASSY(FUSE)	1	
115	0700200281	CBL-ASSY(CONNECT B-P_CHASSIS)	1	
116	0700200282	CLAMP (PLATE MAIN A)	2	
* 117	0700200283	SOFT WARE	1	n/a
118	0700200284	STAY LEFT	1	
121	0700200286	CLAMP 2(PLATE MAIN A)	3	
122	0700200601	CORE	6	
123	0700200602	CORE(PCB DC/DC)	1	

DA7-012



DA7 - 012

NO	PARTS NO	PARTS NAME	Q'TY	REMARK
012 - 001	0700200287	ASSY MP PRESSURE	1	
101	0700200288	CHASSIS CST	1	
102	0700200289	PIN	2	
104	0700200290	BRACKET TONER SENSOR B	1	
105	0700200291	KNOB TONER	1	
106	0700200292	COVER KNOB	1	
107	0700200293	SPRING C TONER SENSOR B	1	
108	0700200294	SPRING C KNOB	1	
109	0700200295	FRAME CST	1	
110	0700200296	SHEET GUIDE PAPER A	1	
111	0700200297	FOOT	2	
112	0700200298	ARM IL	1	
114	0700200300	CBL-ASSY(INTERLOCK)	1	
115	0700200301	STOPPER KNOB	1	
116	0700200302	PULLEY WIRE	1	
117	0700200303	STOPPER DRUM	1	
118	0700200304	SPRING T STOPPER	1	
119	0700200305	FEELER PAPER CST	1	
120	0700200306	BRACKET SENSOR	1	
123	0700200307	MAGNET	2	
124	0700200308	GUIDE PAPER MP DUP	1	
125	0700200309	FEELER MP	1	
126	0700200310	SPRING T FEELER MP	1	
127	0700200311	FEELER PSS	1	
128	0700200312	SPRING T PSS FEELER	1	
129	0700200313	SHEET GUIDE PAPER MP	2	
130	0700200314	SHEET E	1	
131	0700200315	PHOTO INTERRUPTER(DUP)	2	
133	0700200316	SHEET GUIDE PAPER D	1	

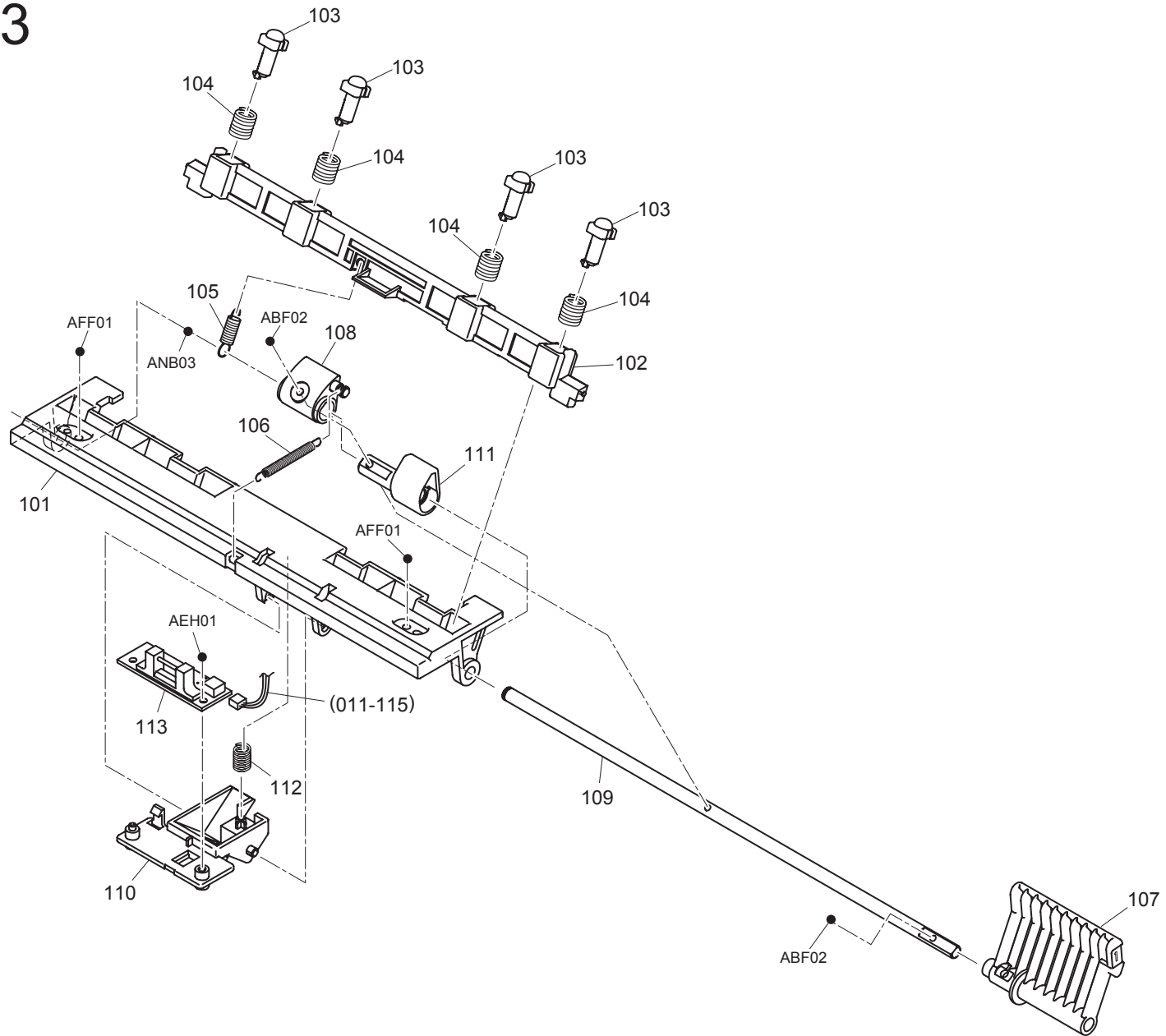
DA7 - 012

NO	PARTS NO	PARTS NAME	Q'TY	REMARK
012 - 134	0700200317	PCB TOS	1	
135	0700200318	WIRE RELEASE	1	
136	0700200319	SUPPORTER WIRE	1	
137	0700200320	GUIDE WIRE	1	
138	0700200321	BRACKET SUPPORT WIRE	1	
139	0700200322	SPRING T WIRE	1	
140	0700200323	SENSOR STOPPER	2	
*	141	MP PRESSURE	1	included in 012-001
*	142	MP PRESSURE PAD	1	included in 012-001
*	143	FILM PRESSURE MP	1	included in 012-001
144	0700200327	SPRING C PRESSURE MP	1	
145	0700200328	ROLLER PICKUP MP	1	
146	0700200329	SHAFT PICKUP MP	1	
147	0700200330	BEARING D6 8	3	
149	0700200331	CLUTCH	2	
150	0700200332	CBL-ASSY(CLUTCH_2)	2	
151	0700200333	PRESS ROLLER REGISTER	3	
152	0700200334	SHAFT REGISTER	1	
153	0700200335	GEAR 15H 0.8	1	
155	0700200336	HOLDER CLEANER REGISTER	1	
156	0700200337	GUIDE PRESS F	1	
157	0700200338	SPONGE CLEANER REGISTER	1	
158	0700200339	SHEET SCREW CLEANER	1	
159	0700200340	GEAR 18H 0.8 C	1	
160	0700200341	SHEET DUST COVER S	2	
161	0700200342	SCREW CLEANER	1	
162	0700200343	CLAMP(CHASSIS CST)	2	
163	0700200344	LABEL C	2	
164	0700200345	SPRING P BACKUP DEV	1	

DA7 - 012

NO	PARTS NO	PARTS NAME	Q'TY	REMARK
012 - 165	0700200603	PIECE ARM IL	1	
166	0700200604	SPRING C IL PIN	1	

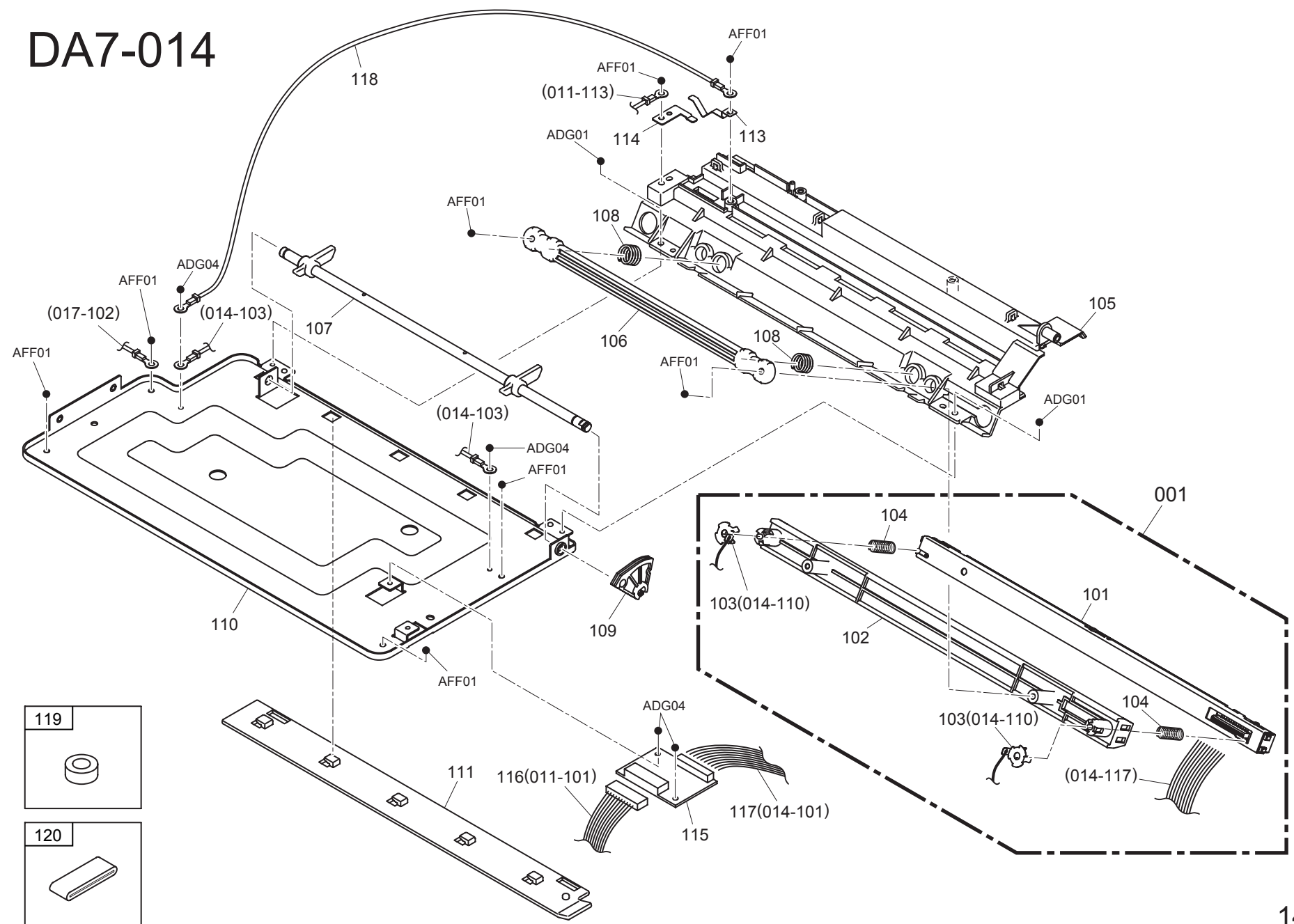
DA7-013



DA7 - 013

NO	PARTS NO	PARTS NAME	Q'TY	REMARK
013 - 101	0700200346	FRAME PRESSURE	1	
102	0700200347	PLATE SLIDER	1	
103	0700200348	PIECE PRESSURE	4	
104	0700200349	SPRING C DEV PRESSURE	4	
105	0700200350	SPRING C PRESSPLATE	1	
106	0700200351	SPRING C KNOB	1	
107	0700200352	KNOB PRESSURE	1	
108	0700200353	PIECE CAM	1	
109	0700200354	SHAFT KNOB	1	
110	0700200355	BRACKET TONER SENSOR	1	
111	0700200356	PIECE PRESS SENSOR	1	
112	0700200357	SPRING C TONER SENSOR B	1	
113	0700200358	PCB TOS	1	

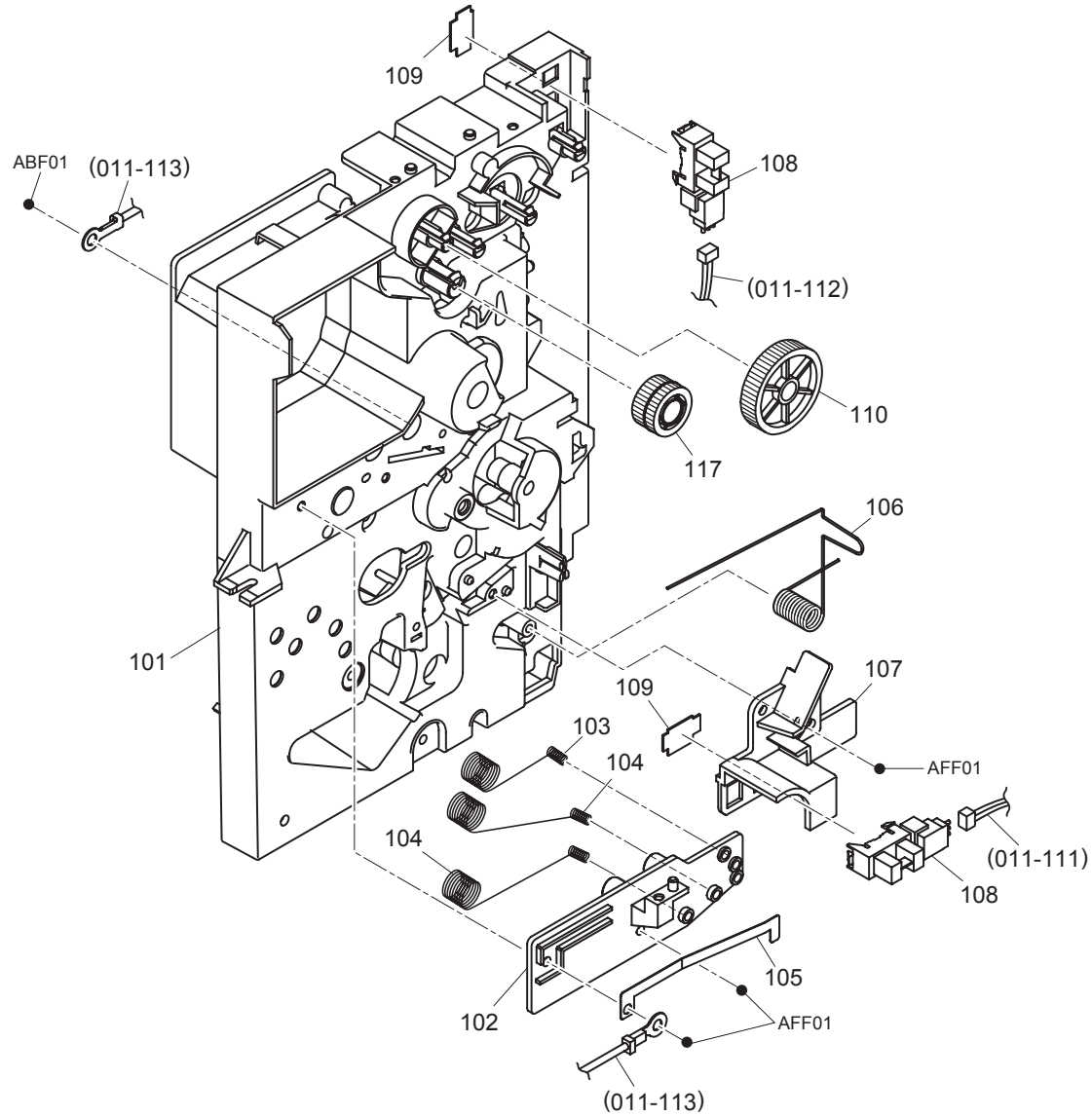
DA7-014



DA7 - 014

NO	PARTS NO	PARTS NAME	Q'TY	REMARK
014 - 001	0700200359	ASSY LED HEAD	1	
*	101	PRNTR-HEAD	1	included in 014-001
*	102	BRACKET LED	1	included in 014-001
*	103	CBL-ASSY(BKT LED-PLATE LED)	2	included in 014-001
*	104	SPRING C BKT LED	2	included in 014-001
	105	0700200364 GUIDE DRUM	1	
	106	0700200365 STAY LED	1	
	107	0700200366 SHAFT LED	1	
	108	0700200367 SPRING C STAY LED	2	
	109	0700200368 SUPPORTER WIRE LED	1	
	110	0700200369 PLATE LED	1	
	111	0700200370 GUIDE DEV	1	
	113	0700200372 PLATE EARTH UPPER	1	
	114	0700200373 PLATE FG DRUM	1	
	115	0700200374 PCB CONNECT C	1	
	116	0700200375 CBL-ASSY(CONNECT C-MAIN)	1	
	117	0700200376 CBL-ASSY(CONNECT C-PRINTER_HEAD)	1	
	118	0700200605 CBL-ASSY(PLATE_LED-GUIDE DRUM)	1	
	119	0700200606 CORE	1	
	120	0700200607 CORE	1	

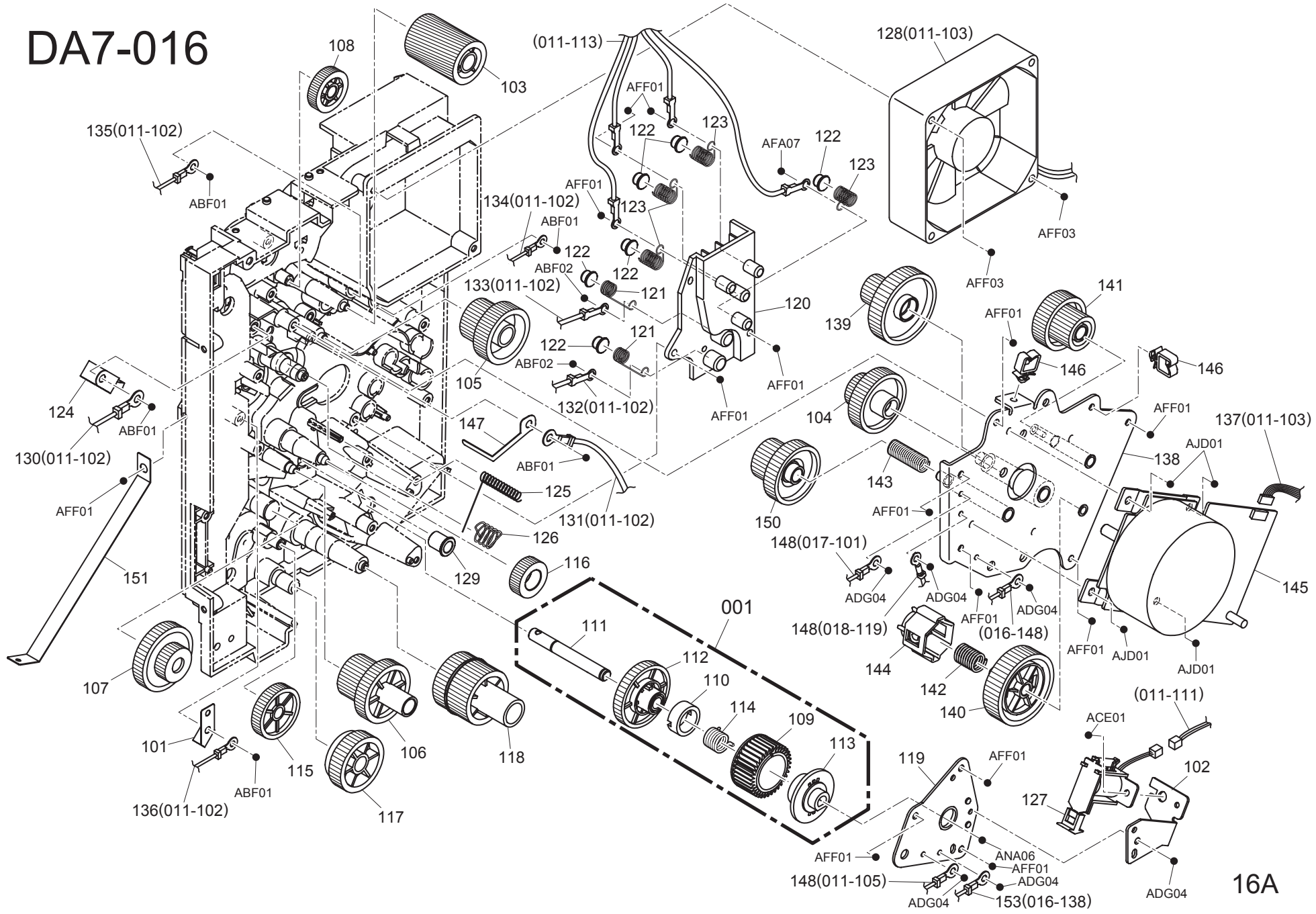
DA7-015



DA7 - 015

NO	PARTS NO	PARTS NAME	Q'TY	REMARK
015 - 101	0700200377	CHASSIS DRIVE	1	
102	0700200378	FRAME DRUM B	1	
103	0700200379	SPRING C FUSE	1	
104	0700200380	SPRING C HV	2	
105	0700200381	PLATE EARTH B	1	
106	0700200382	SPRING T FG A	1	
107	0700200383	GUIDE PRESS B	1	
108	0700200384	PHOTO INTERRUPTER	2	
109	0700200385	SENSOR STOPPER	2	
110	0700200386	GEAR 34	1	
117	0700200387	GEAR 17/22	1	

DA7-016



DA7 - 016

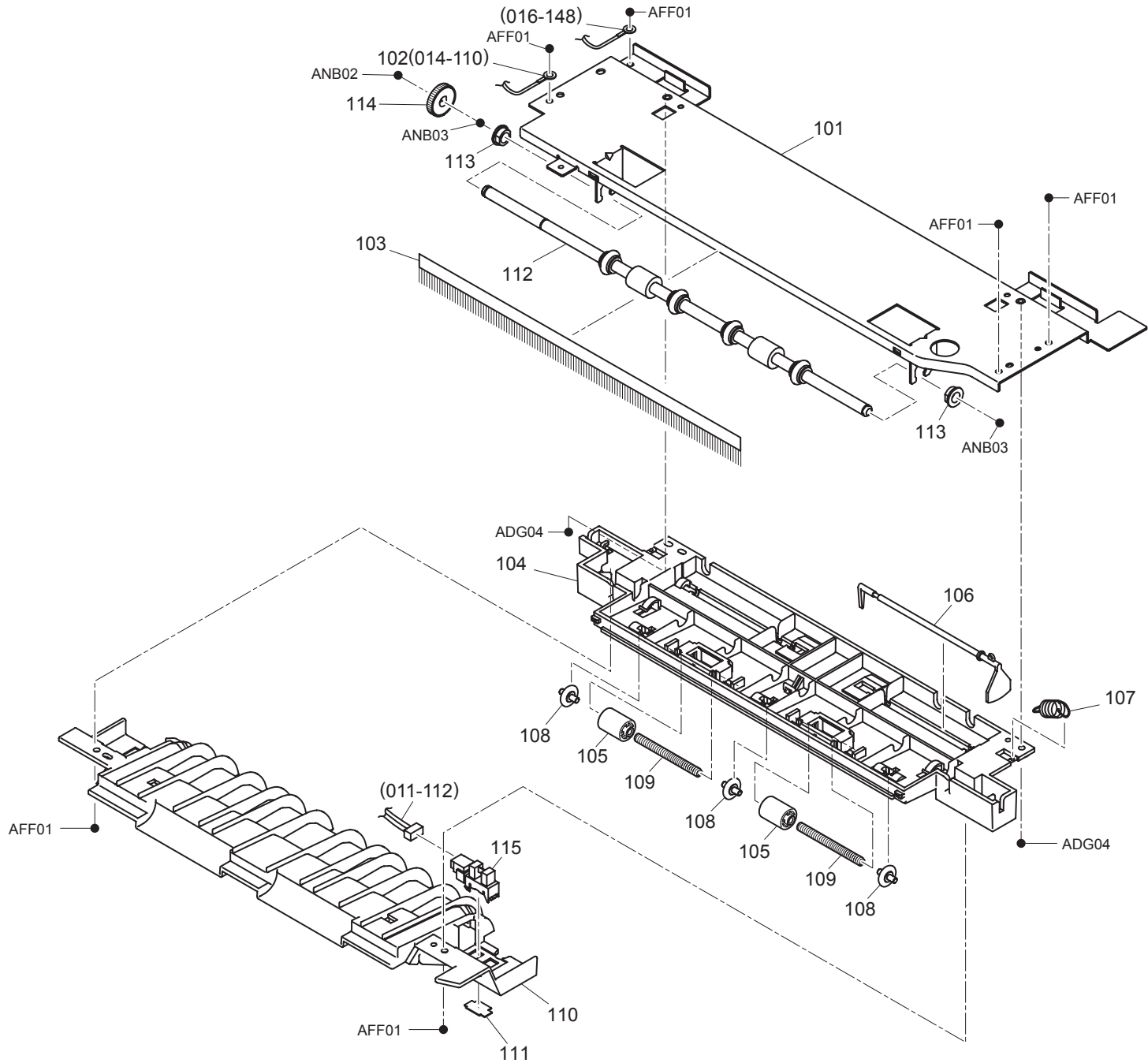
NO	PARTS NO	PARTS NAME	Q'TY	REMARK
016 - 001	0700200388	ASSY SHAFT JOINT	1	
101	0700200389	SPRING P BIAS TRANSFER	1	
102	0700200390	BRACKET SLND	1	
103	0700200391	GEAR 21 1.0	1	
104	0700200392	GEAR 59H/19	1	
105	0700200393	GEAR 35/19	1	
106	0700200394	GEAR 33H/37	1	
107	0700200395	GEAR 41/21	1	
108	0700200396	GEAR 20 1.0 A	1	
*	109	COLLAR CLUTCH	1	included in 016-001
*	110	BUSH	1	included in 016-001
*	111	SHAFT JOINT	1	included in 016-001
*	112	GEAR 40 0.8	1	included in 016-001
*	113	HUB CLUTCH	1	included in 016-001
*	114	SPRING C CLUTCH	1	included in 016-001
	115	0700200403	GEAR 34	1
	116	0700200404	GEAR 22 0.8	1
	117	0700200405	GEAR 35 0.8	1
	118	0700200406	GEAR 34 0.8	1
	119	0700200407	STAY PICKUP	1
	120	0700200408	HOLDER BIAS	1
	121	0700200409	SPRING C BIAS	2
	122	0700200410	PIN BIAS	6
	123	0700200411	SPRING C BIAS B	4
	124	0700200412	PLATE HV A	1
	125	0700200413	SPRING C REGISTER GRAND	1
	126	0700200414	SPRING C EARTH SHAFT	1
	127	0700200415	SOLENOID	1
	128	0700200416	FAN	1

DA7 - 016

NO	PARTS NO	PARTS NAME	Q'TY	REMARK
016 - 129	0700200417	BEARING D6 8	1	
130	0700200418	CBL-ASSY(CLEANING1-HV)	1	
131	0700200419	CBL-ASSY(CLEANING2-HV)	1	
132	0700200420	CBL-ASSY(DEVELOPER1-HV)	1	
133	0700200421	CBL-ASSY(DEVELOPER2-HV)	1	
134	0700200422	CBL-ASSY(CHARGER-HV)	1	
135	0700200423	CBL-ASSY(GRID-HV)	1	
136	0700200424	CBL-ASSY(TRANSFER-HV)	1	
137	0700200425	CBL-ASSY(RX MOTOR-CONNECT A)	1	
138	0700200426	FRAME DRIVE	1	
139	0700200427	GEAR 73H/23H	1	
140	0700200428	GEAR 61H 0.6	1	
141	0700200429	GEAR 54H/28H	1	
142	0700200430	SPRING C COUPLING	1	
143	0700200431	SPRING C PRESS GEAR	1	
144	0700200432	COUPLING	1	
145	0700200433	MOTOR(DRIVE)	1	
146	0700200434	CLAMP(FRAME DRIVE)	2	
147	0700200435	PLATE HV B	1	
148	0700200436	FG CABLE(FRAME DRIVE-PLATE EARTH C)	3	
150	0700200437	GEAR 57H/27H	1	
151	0700200438	STOPPER JAC	1	
153	0700200439	FG CABLE(FRAME DRIVE-STAY PICK UP)	1	

This page is intentionally left blank

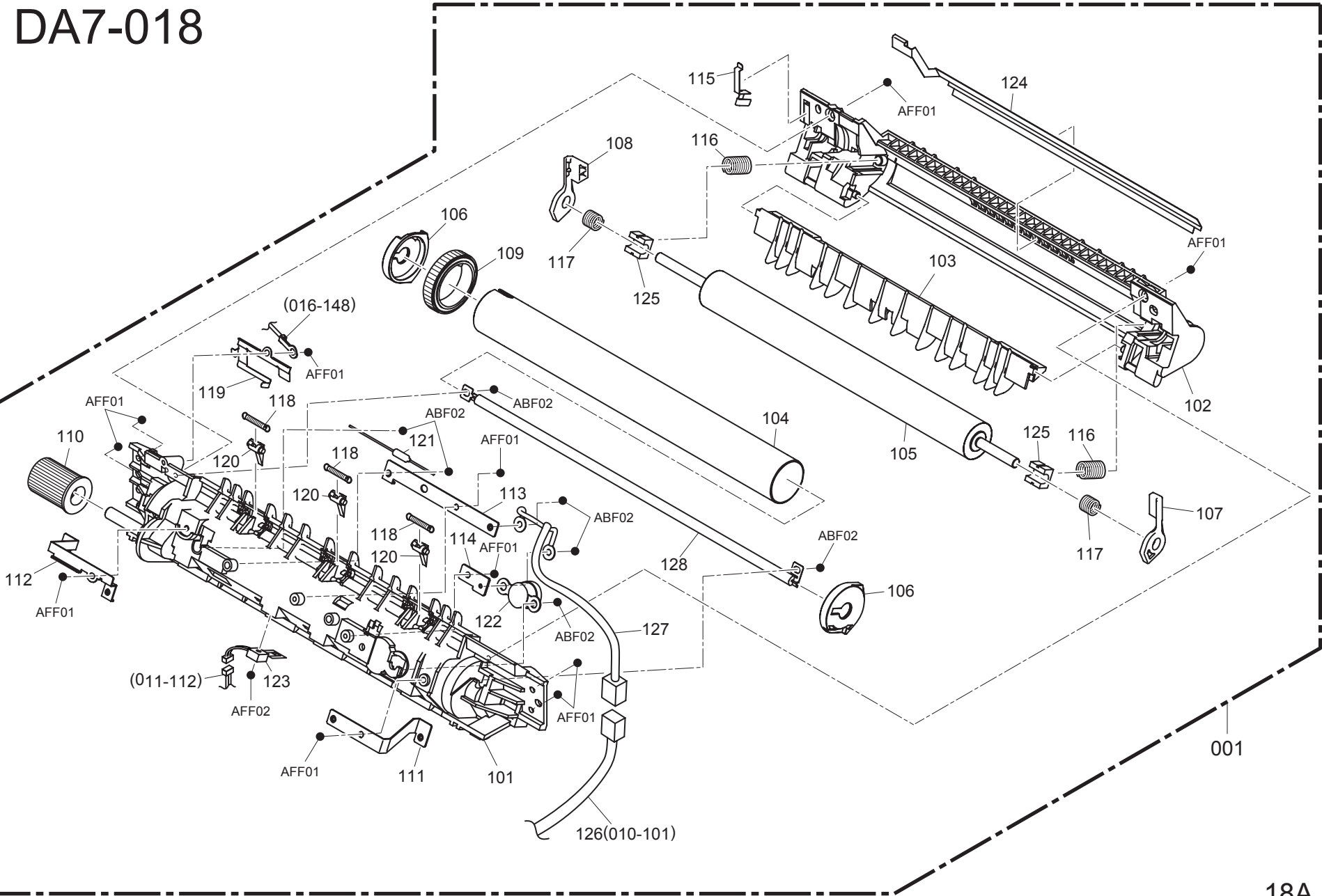
DA7-017



DA7 - 017

NO	PARTS NO	PARTS NAME	Q'TY	REMARK
017 - 101	0700200440	FRAME UPPER	1	
102	0700200441	FG CABLE(FRAME UPPER-PLATE LED)	1	
103	0700200442	DISCHARGE BRUSH F	1	
104	0700200443	GUIDE UPPER	1	
105	0700200444	PRESS ROLLER EXIT	2	
106	0700200445	FEELER PDS	1	
107	0700200446	SPRING C FEELER	1	
108	0700200447	PRESS ROLLER EXIT SIDE	3	
109	0700200448	SPRING C GUIDE FUSER	2	
110	0700200449	GUIDE FUSER	1	
111	0700200450	SENSOR STOPPER	1	
112	0700200451	ROLLER EXIT	1	
113	0700200452	BEARING D6 9	2	
114	0700200453	TX GEAR 20	1	
115	0700200454	PHOTO INTERRUPTER(GUIDE FUSER)	1	

DA7-018

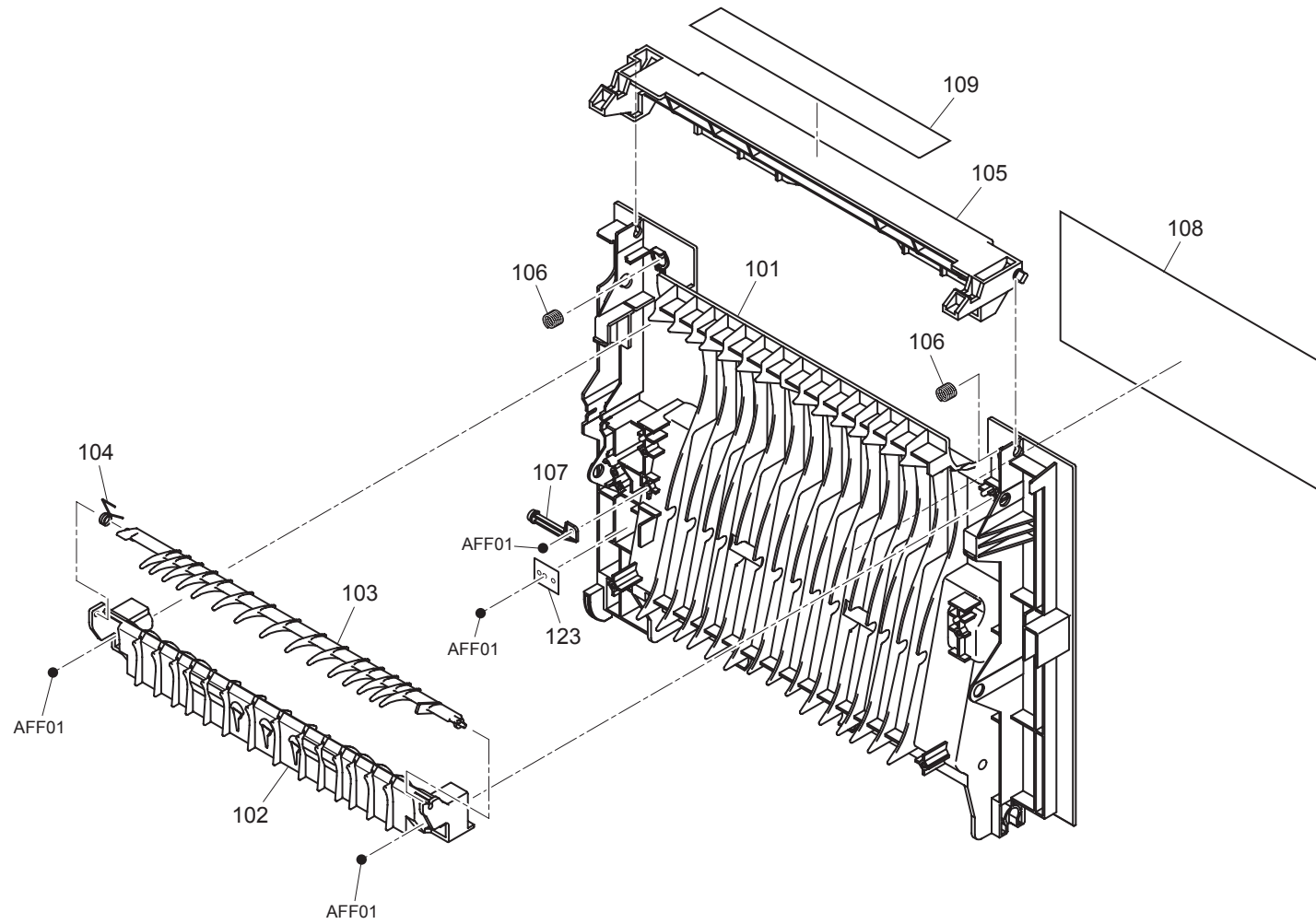


001

DA7 - 018

NO	PARTS NO	PARTS NAME	Q'TY	REMARK
018 - 001	0700200455	ASSY FUSER	1	
*	101	FRAME FUSER INNER	1	included in 018-001
*	102	FRAME FUSER OUTER	1	included in 018-001
*	103	GUIDE FUSER OUTER	1	included in 018-001
*	104	ROLLER HEAT	1	included in 018-001
*	105	ROLLER PRESS	1	included in 018-001
*	106	BEARING HEATROLL	2	included in 018-001
*	107	KNOB FUSER F	1	included in 018-001
*	108	KNOB FUSER B	1	included in 018-001
*	109	GEAR 36 1.0	1	included in 018-001
*	110	GEAR 20 1.0 B	1	included in 018-001
*	111	BRACKET HEATER F	1	included in 018-001
*	112	BRACKET HEATER B	1	included in 018-001
*	113	BRACKET FUSE	1	included in 018-001
*	114	BRACKET THERMO	1	included in 018-001
*	115	PLATE EARTH B	1	included in 018-001
*	116	SPRING C FUSER	2	included in 018-001
*	117	SPRING C KNOB FUSER	2	included in 018-001
*	118	SPRING C SCRAPER	3	included in 018-001
*	119	PLATE EARTH C	1	included in 018-001
*	120	SCRAPER	3	included in 018-001
*	121	FUSE	1	included in 018-001
*	122	THERMOSTAT	1	included in 018-001
*	123	THERMISTOR	1	included in 018-001
*	124	BRUSH DISCHARGE FUSER	1	included in 018-001
*	125	SLEEVE B	2	included in 018-001
*	126	CBL-ASSY(HEATER-PSU)1	1	included in 018-001
*	127	CBL-ASSY(HEATER-PSU)2	1	included in 018-001
*	128	LAMP	1	included in 018-001

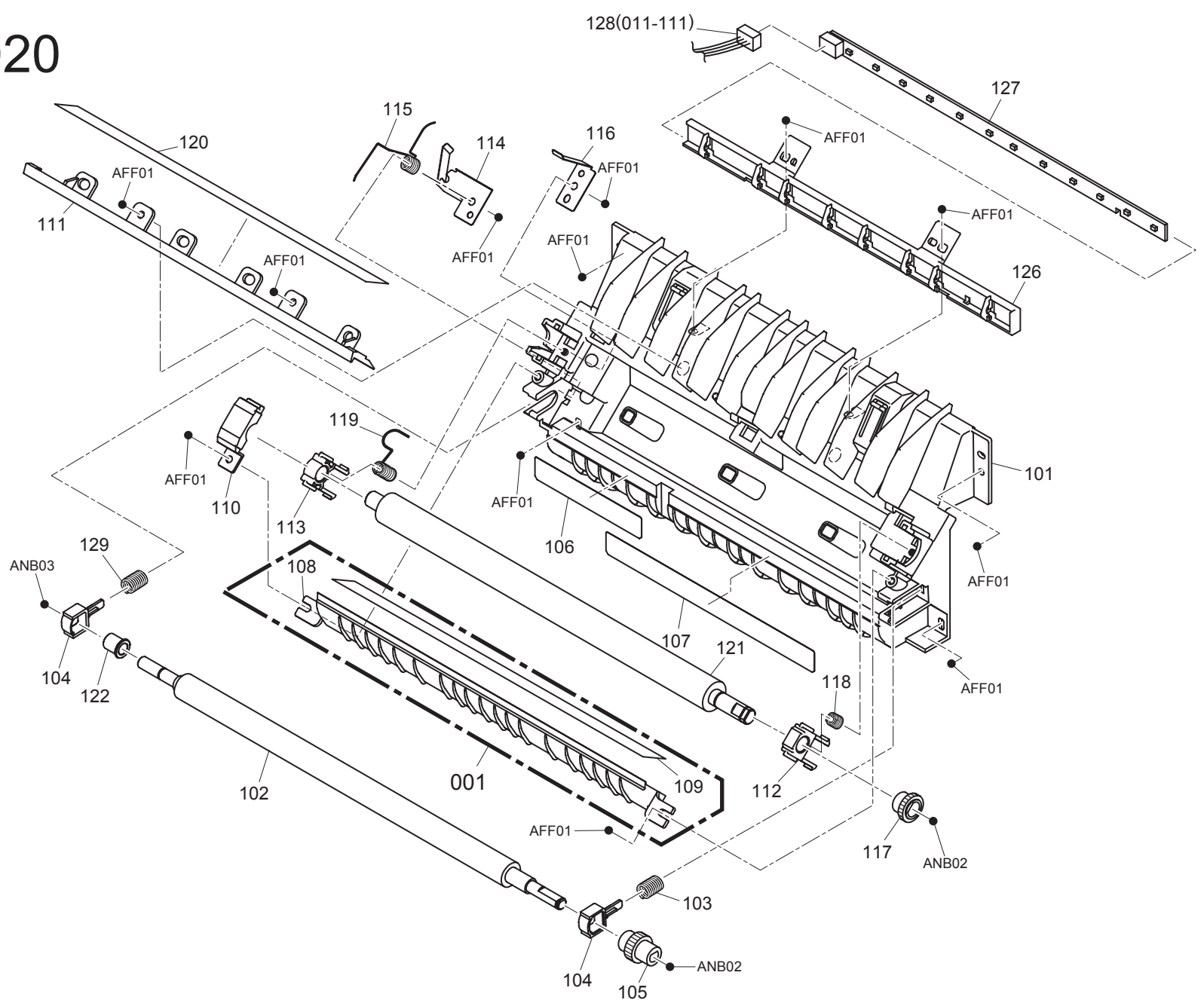
DA7-019



DA7 - 019

NO	PARTS NO	PARTS NAME	Q'TY	REMARK
019 - 101	0700200485	COVER JAM ACCESS	1	
102	0700200486	GUIDE UPPER JAC	1	
103	0700200487	GUIDE UPPER EXIT	1	
104	0700200488	SPRING T UPPER D	1	
105	0700200489	KNOB LOCK JAC	1	
106	0700200490	SPRING C LOCK JAC	2	
107	0700200491	BRACKET STOPPER	1	
108	0700200492	LABEL COVER JAM ACCESS	1	
109	0700200493	LABEL KNOB LOCK JAC	1	
123	0700200494	SHEET BLIND	1	

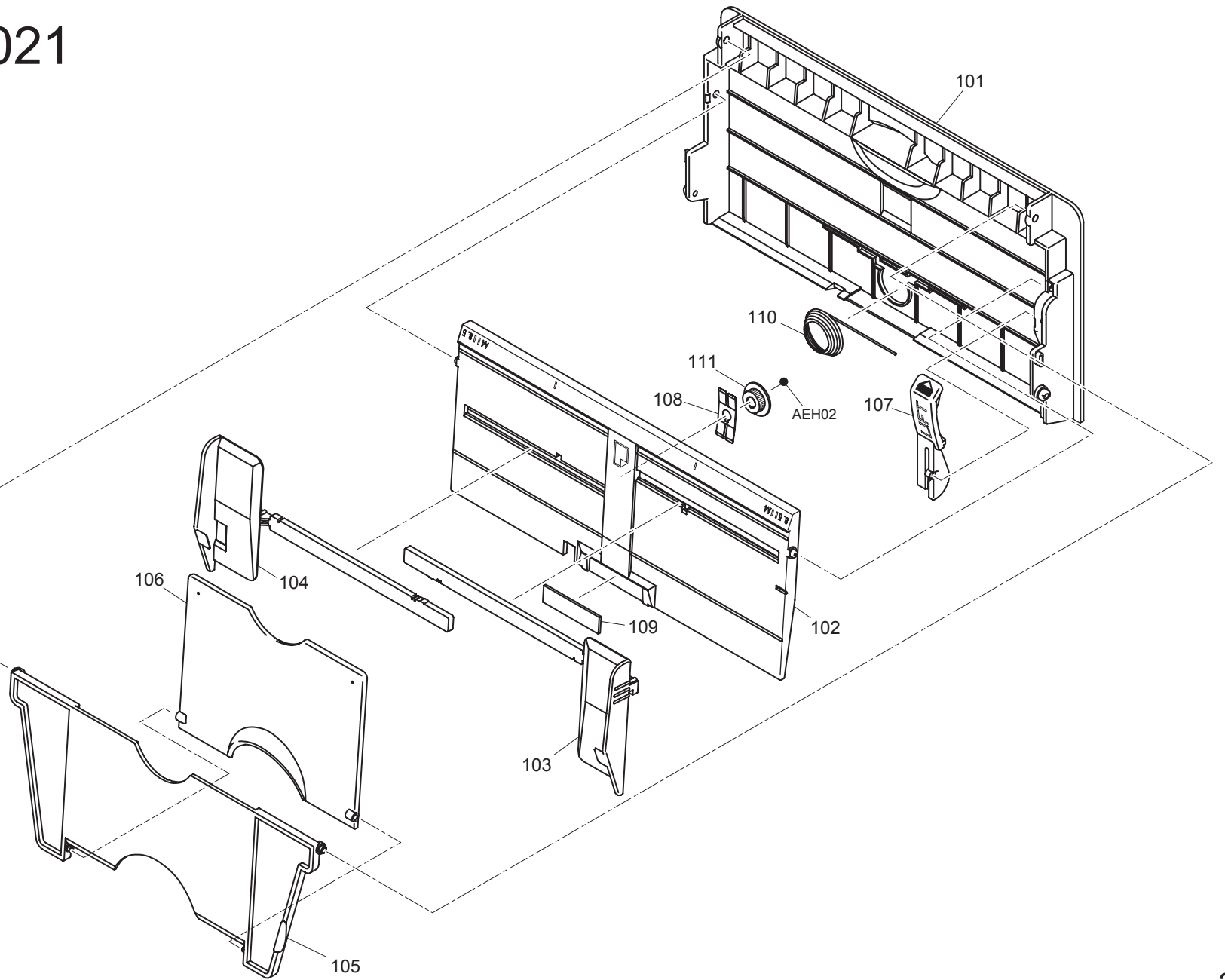
DA7-020



DA7 - 020

NO	PARTS NO	PARTS NAME	Q'TY	REMARK
020 - 001	0700200495	ASSY GUIDE PAPER TRANSFER A	1	
101	0700200496	GUIDE INNER	1	
102	0700200497	ROLLER REGISTER	1	
103	0700200498	SPRING C PRESS	1	
104	0700200499	BEARING PRESS	2	
105	0700200500	GEAR 16H 0.8	1	
106	0700200501	SHEET GUIDE PAPER B	1	
107	0700200502	SHEET GUIDE PAPER C	1	
*	108	GUIDE PAPER TRANSFER A	1	included in 020-001
*	109	SHEET TRANSFER	1	included in 020-001
	110	0700200505	COVER BRACKET TRANSFER	1
	111	0700200506	GUIDE PAPER TRANSFER B	1
	112	0700200507	BRACKET TRANSFER F	1
	113	0700200508	BRACKET TRANSFER B	1
	114	0700200509	SPRING P FG JAC	1
	115	0700200510	SPRING C FG SHAFT B	1
	116	0700200511	PLATE FG	1
	117	0700200512	GEAR 25H 0.6	1
	118	0700200513	SPRING C TRANSFER	1
	119	0700200514	SPRING C BIAS TRANSFER	1
	120	0700200515	PLATE DISCHARGE	1
	121	0700200516	ROLLER TRANSFER	1
	122	0700200517	BEARING D6 8	1
	126	0700200518	BRACKET PCB LED	1
	127	0700200519	PCB ERS LAMP	1
	128	0700200520	CBL-ASSY(ERS LAMP)	1
	129	0700200608	SPRING C PRESS B	1

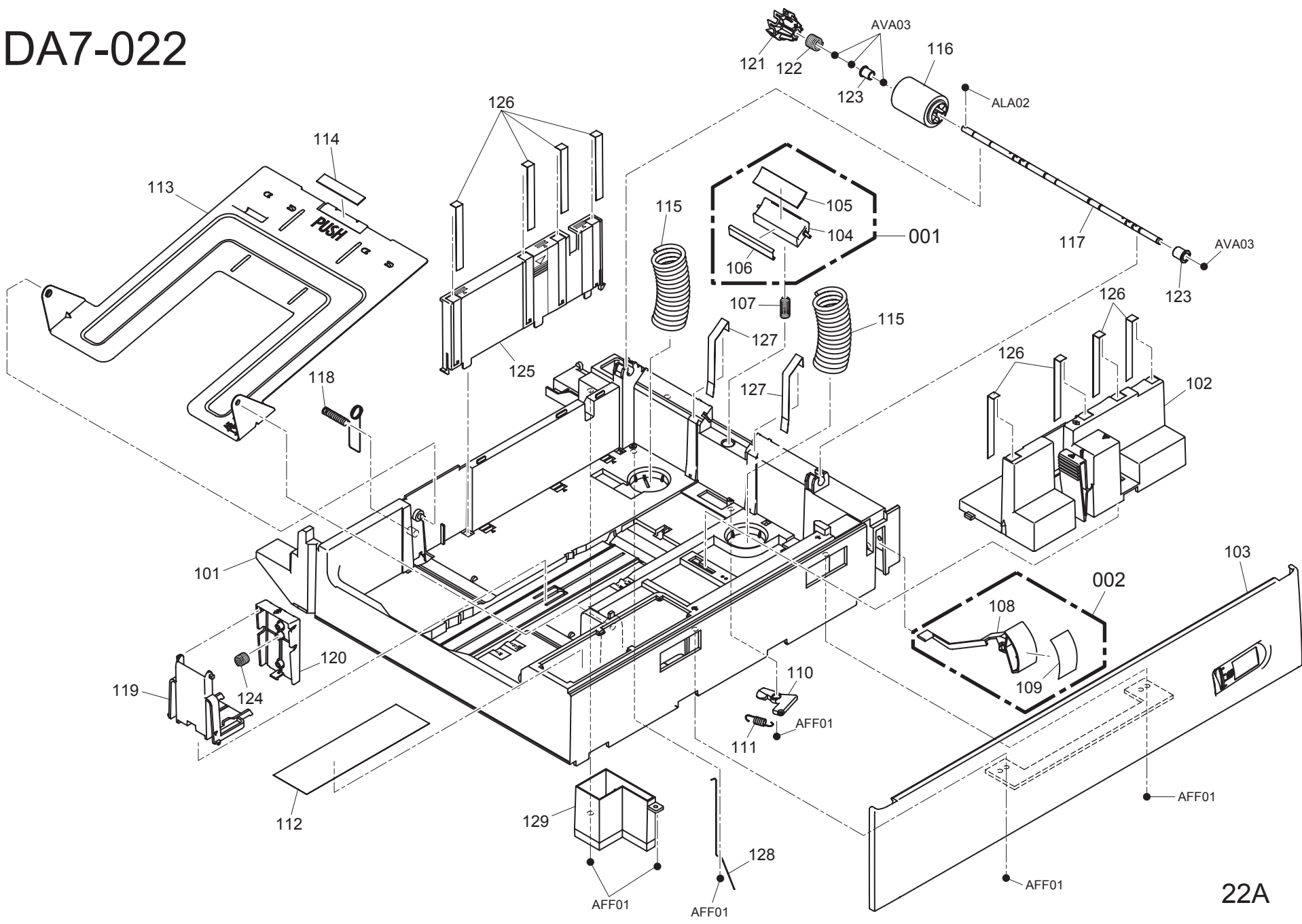
DA7-021



DA7 - 021

NO	PARTS NO	PARTS NAME	Q'TY	REMARK
021 - 101	0700200521	TRAY A MP	1	
102	0700200522	FLAPPER MP	1	
103	0700200523	GUIDE SIDE F MP	1	
104	0700200524	GUIDE SIDE B MP	1	
105	0700200525	TRAY B MP	1	
106	0700200526	TRAY C MP	1	
107	0700200527	KNOB FLAPPER MP	1	
108	0700200528	SPRING P PINION	1	
109	0700200529	MP FLAPPER PAD	1	
110	0700200530	SPRING C FLAPPER MP	1	
111	0700200531	GEAR 20	1	

DA7-022



DA7 - 022

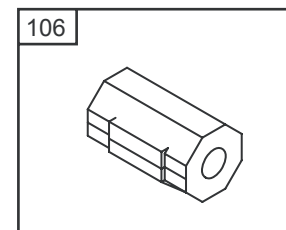
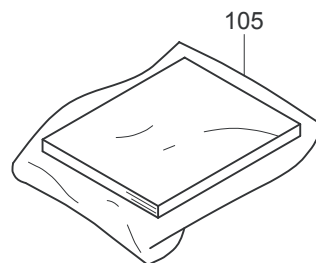
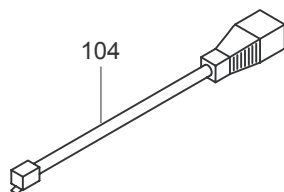
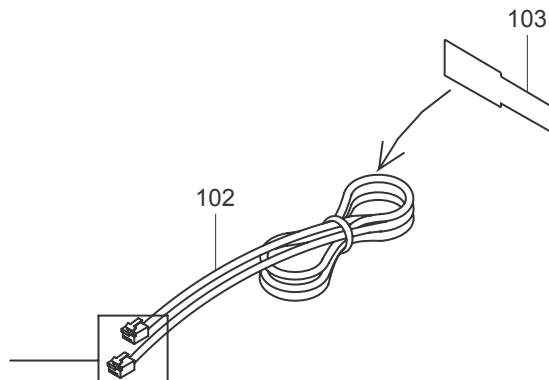
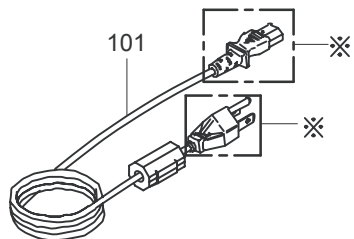
NO	PARTS NO	PARTS NAME	Q'TY	REMARK
022 - 001	0700200533	ASSY PIECE PRESSURE	1	
	002	0700200534	1	ASSY INDICATOR
	101	0700200535	1	CASSETTE
	102	0700200536	1	GUIDE SIDE
	103	0700200537	1	COVER CST
*	104		1	PIECE PRESSURE CST included in 022-001
*	105		1	PAD PRESSURE included in 022-001
*	106		1	SHEET PRESSURE included in 022-001
	107	0700200541	1	SPRING C PRESSURE
*	108		1	INDICATOR included in 022-002
*	109		1	LABEL INDICATOR included in 022-002
	110	0700200544	1	FLAP STOPPER
	111	0700200545	1	SPRING C FLAP STOPPER
	112	0700200546	1	LABEL CST
	113	0700200547	1	FLAPPER
	114	0700200548	1	PAD FLAPPER
	115	0700200549	2	SPRING C FLAPPER
	116	0700200550	1	ROLLER PICKUP CST
	117	0700200551	1	SHAFT PICKUP CST
	118	0700200552	1	SPRING C FG CST A
	119	0700200553	1	GUIDE END A
	120	0700200554	1	GUIDE END B
	121	0700200555	1	COUPLING APF
	122	0700200556	1	SPRING C APF
	123	0700200557	2	BEARING D6 8
	124	0700200558	1	SPRING C END GUIDE
	125	0700200559	1	GUIDE SIDE B
	126	0700200560	8	SHEET CST C
	127	0700200561	2	SHEET CST B

DA7 - 022

NO	PARTS NO	PARTS NAME	Q'TY	REMARK
022 - 128	0700200562	SPRING T FG CST B	1	
129	0700200563	PIECE COVER	1	

This page is intentionally left blank

DA7-081

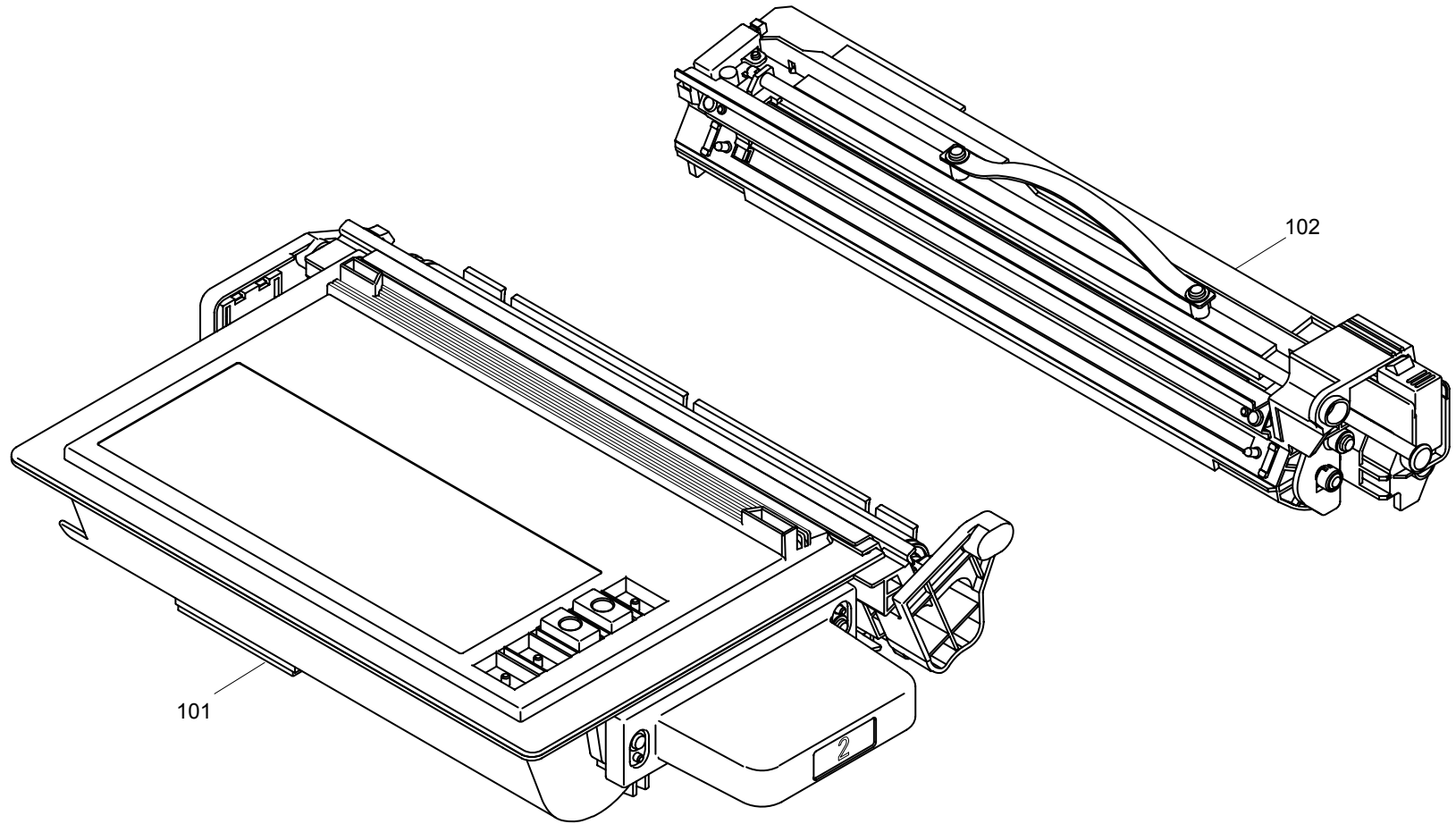


※ 回線コードは各国仕様により本数が異なります。
電源コードは本体と一体の場合は同梱されません。
なお、各国仕様によりプラグ形状が異なります。
The quantity of tel line cable will
differ depending on country.
Power cord will not be enclosed
when installed in the product.
Plug/connector shape will also
differ depending on country.

DA7 - 081

NO	PARTS NO	PARTS NAME	Q'TY	REMARK
* 081 - 105		MANUAL KIT	1	n/a
	106	0700200609	1	CORE(MODULAR CODE)

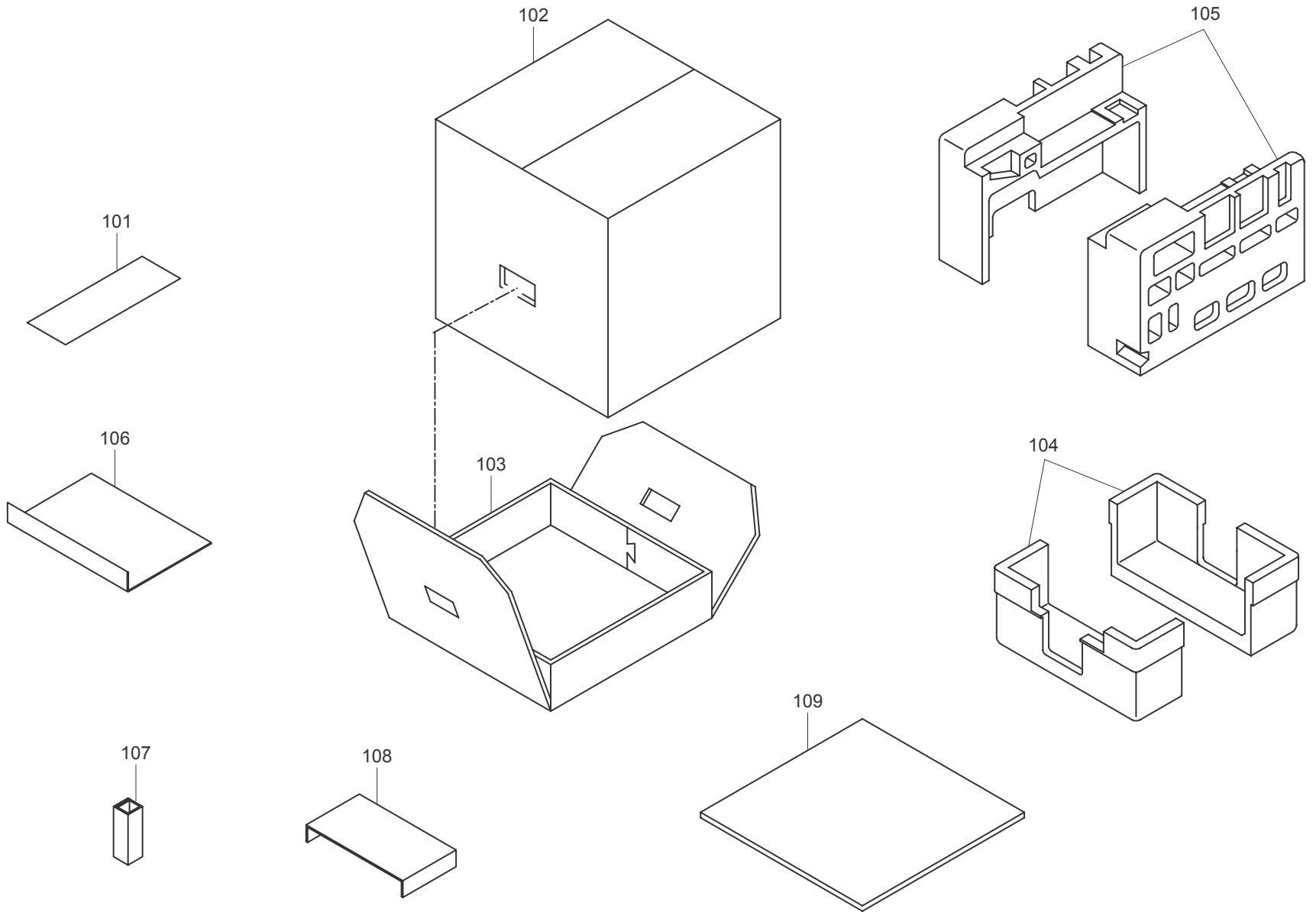
DA7-082



DA7 - 082

NO	PARTS NO	PARTS NAME	Q'TY	REMARK
* 082 - 101	0700200564	ASSY TONER CARTRIDGE	1	
* 102	0700200565	ASSY DRUM	1	

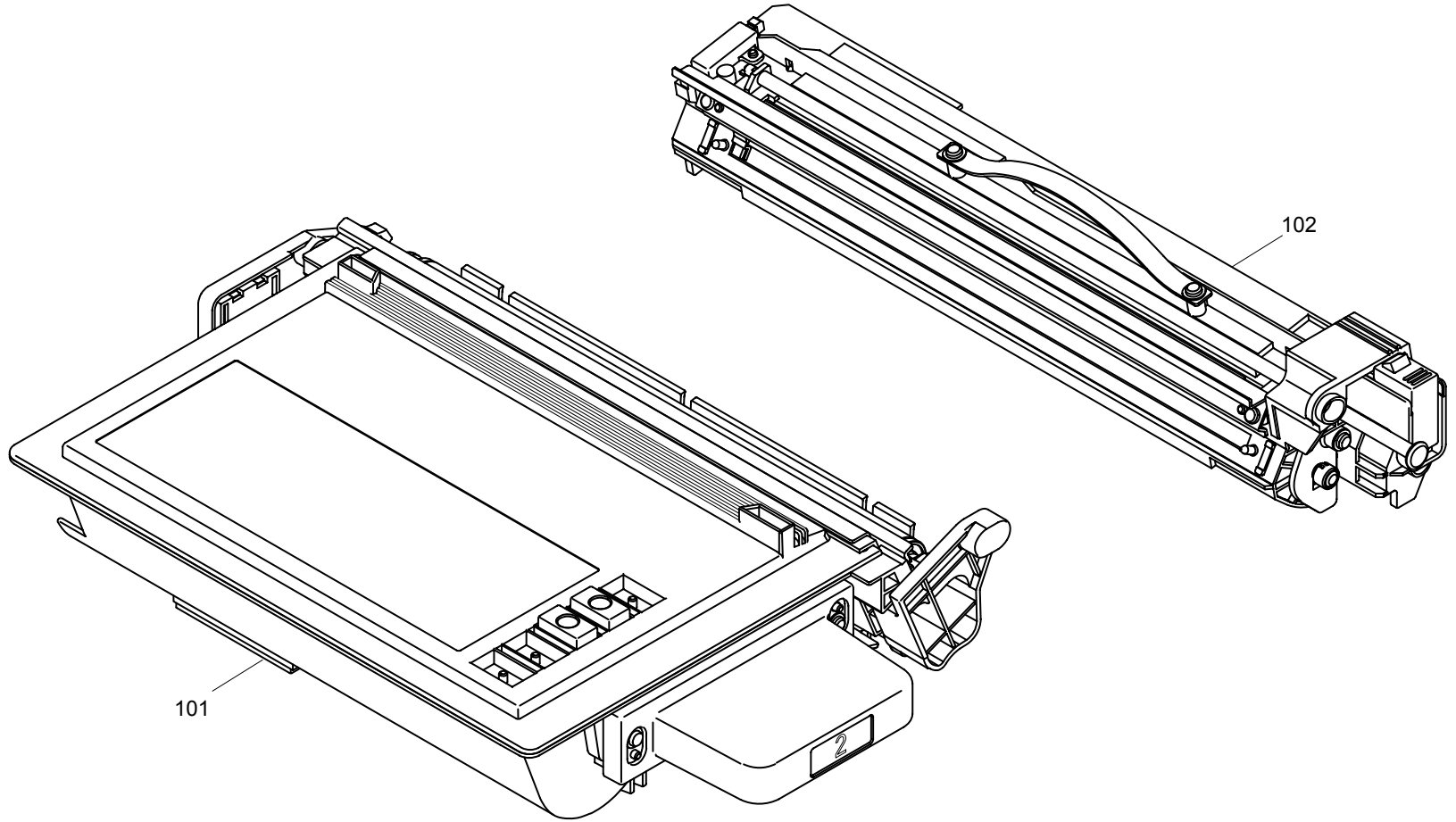
DA7-083



DA7 - 083

NO	PARTS NO	PARTS NAME	Q'TY	REMARK
083 - 101	0700200610	SEPARATION PAPER	1	
* 102		PACKCASE UPPER	1	n/a
* 103		PACKCASE LOWER	1	n/a
* 105		PACKING STYROL UPPER	1	n/a
* 106		PACKING CP A(Accessory_Set)	1	n/a
* 107		PACKING CP B(FAX_Printer)	1	n/a
* 108		PACKING CP C(CST Side_Guide)	1	n/a
109	0700200611	MAT (PANE)	1	

DA7-091









DA7 - 091

NO	PARTS NO	PARTS NAME	Q'TY	REMARK
091 - 101	0700200612	ASSY TONER CARTRIDGE	1	
102	0700200613	ASSY DRUM	1	

This page is intentionally left blank

FASTENERS

	PARTS NAME	SIZE	KM Art.- No.		
ABF01	PHR(3c)	M3X6	0700200621		
ABF02	PHR(3c)	M3X8	0700200622		
ACE01	S TITE(3c)	3x6	0700200623		
ACE04	S TITE(3c)	4x8	0700200624		
ADC02	S TITE CUP(Uc)	3X8	0700200625		
ADF01	S TITE CUP(WITH SPRING WASHER)	3X8	0700200626		
ADG01	S TITE CUP(3c)	3X6	0700200627		
ADG03	S TITE CUP(3c)	4X8	0700200628		
ADG04	S TITE CUP(3c)	3X8	0700200629		
AEA03	P TITE	3X6	0700200630		
AEH01	P TITE(3c)	3X8	0700200631		
AEH02	P TITE(3c)	3X6	0700200632		
AFA07	P TITE CUP	3X8	0700200633		
AFF01	P TITE CUP(3c)	3X8	0700200634		
AFF02	P TITE CUP(3c)	3X10	0700200635		
AFF03	P TITE CUP(3c)	3X30	0700200636		
AFF04	P TITE CUP(3c)	3X5	0700200637		
AFF05	P TITE CUP(3c)	4X10	0700200638		
AFF06	P TITE CUP(3c)	3X6	0700200639		
AHB01	B TITE CUP(3c)	4X12	0700200640		
AJD01	PHS(3c)	M4X6	0700200641		
AJD02	PHS(3c)	M3X6	0700200642		
AJD03	PHS(3c)	M3X8	0700200643		
ALA01	PK	2X10	0700200644		
ALA02	PK	2X12	0700200645		
ALA04	PK	2.5X24	0700200646		
ANA06	DR	6	0700200647		
ANB01	DR(BK)	3	0700200648		
ANB02	DR(BK)	4	0700200649		
ANB03	DR(BK)	5	0700200650		
ANB05	DR(BK)	7	0700200651		
ANB06	DR(BK)	2	0700200652		
AQA03	PARALLEL PIN	2X10	0700200653		
AUD01	ZR(3c)	4	0700200654		
AVA01	JR	4	0700200655		
AVA03	JR	5	0700200656		