

magicolor 2200 Series Parts Manual



1750048-001D

MINOLTA
QMS

downloaded from www.euro-parts.it, tel / fax : 199.166.788 / 199.166.789, e_mail : vendite@euro-parts.it

The essentials of imaging

www.minolta-qms.com

PREFACE

1. The part numbers listed in Parts Manual are those which were assigned to the parts making up the machine at the time machine was originally introduced onto the market.
2. Parts whose INDEX numbers are shown white against a black background in the illustration are those to be used in only certain market areas. These part numbers are given in the lower half part of the list section. Check the SFIX No. listed in SFIX CHART on page II to find which part number is applicable to your own area.
3. Parts whose INDEX numbers are shown black against a white background in the illustration are those to be used in all market areas. These parts are listed on the upper half part of the list section.
4. If "NS" follows a part number given in the list section, it indicates that we do not keep a stock of the part. The part is not required for ordinary service jobs, either.
5. If "RP" is shown in the REC column of the list section, it indicates that the part is functionally important.
6. In the exploded views in this Parts Manual the parts (Screws & Washes, etc...) which are indicated with a "four-digit" numbers are listed in numerical order in the section "SCREWS AND WASHERS". Please check these "four-digit" numbers with the part numbers ("ten-digit" numbers) which should be used for ordering the part.
7. All part numbers consist of "ten-digit" which should all be quoted when ordering a part. The price of parts can be obtained by referring to the "Parts Price List" which is separately issued.
8. All information contained in this parts manual is subject to change.

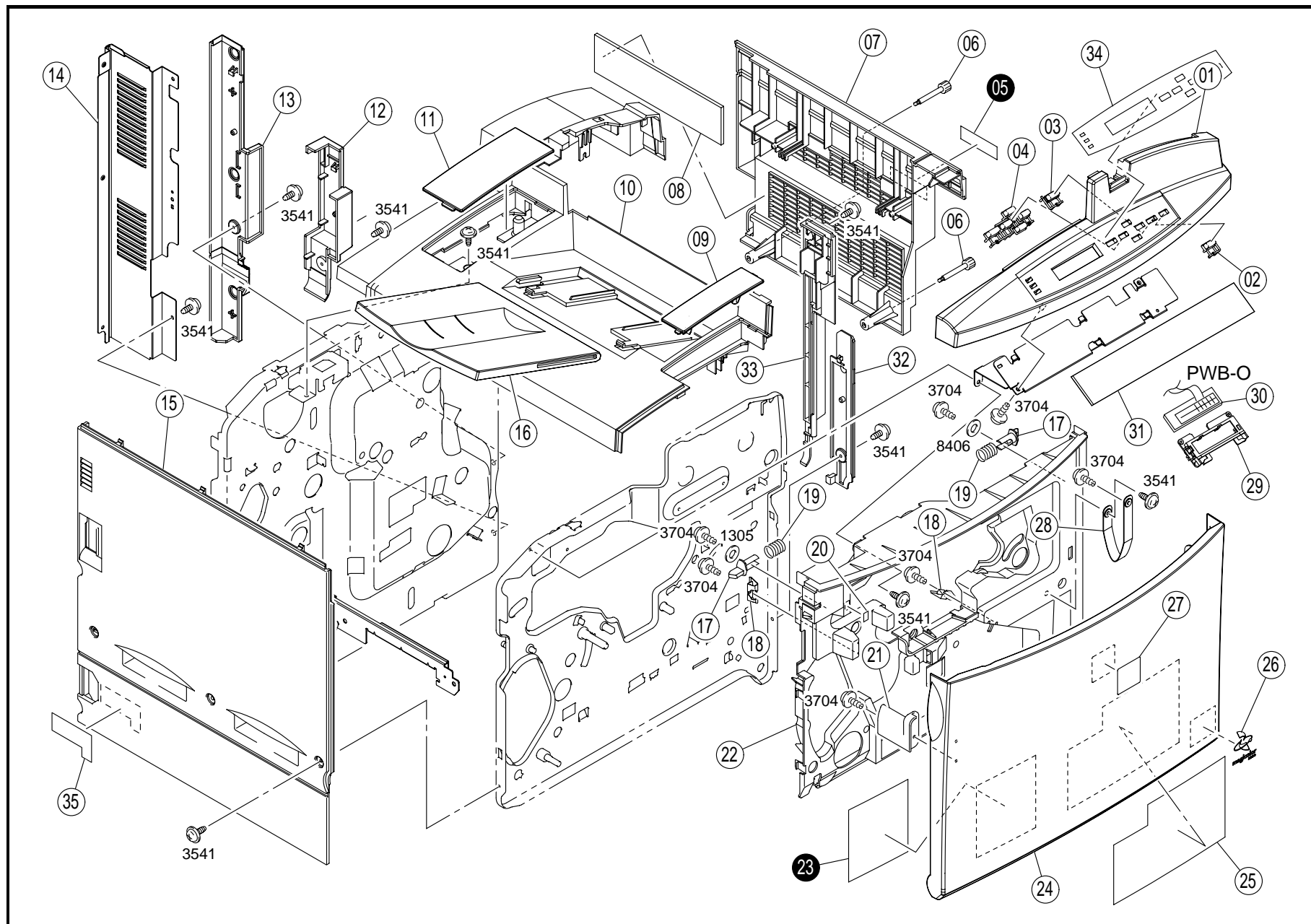
QMS, the MINOLTA-QMS logo, and *magicolor* are registered trademarks of MINOLTA-QMS, Inc.
Minolta is a trademark of the Minolta Co., Ltd.
Copyright © 2001 MINOLTA-QMS, Inc. All rights reserved.

SFIX CHART

SFIX No.	COUNTRY	VOLTAGE	FREQUENCY (Hz)	PAPER SIZE	SFIX No.	COUNTRY	VOLTAGE	FREQUENCY (Hz)	PAPER SIZE
002	JAPAN	100V	50/60	METRIC	302	USA/CANADA	120V	60	INCH
202	EUROPE	220/240V	50	METRIC					

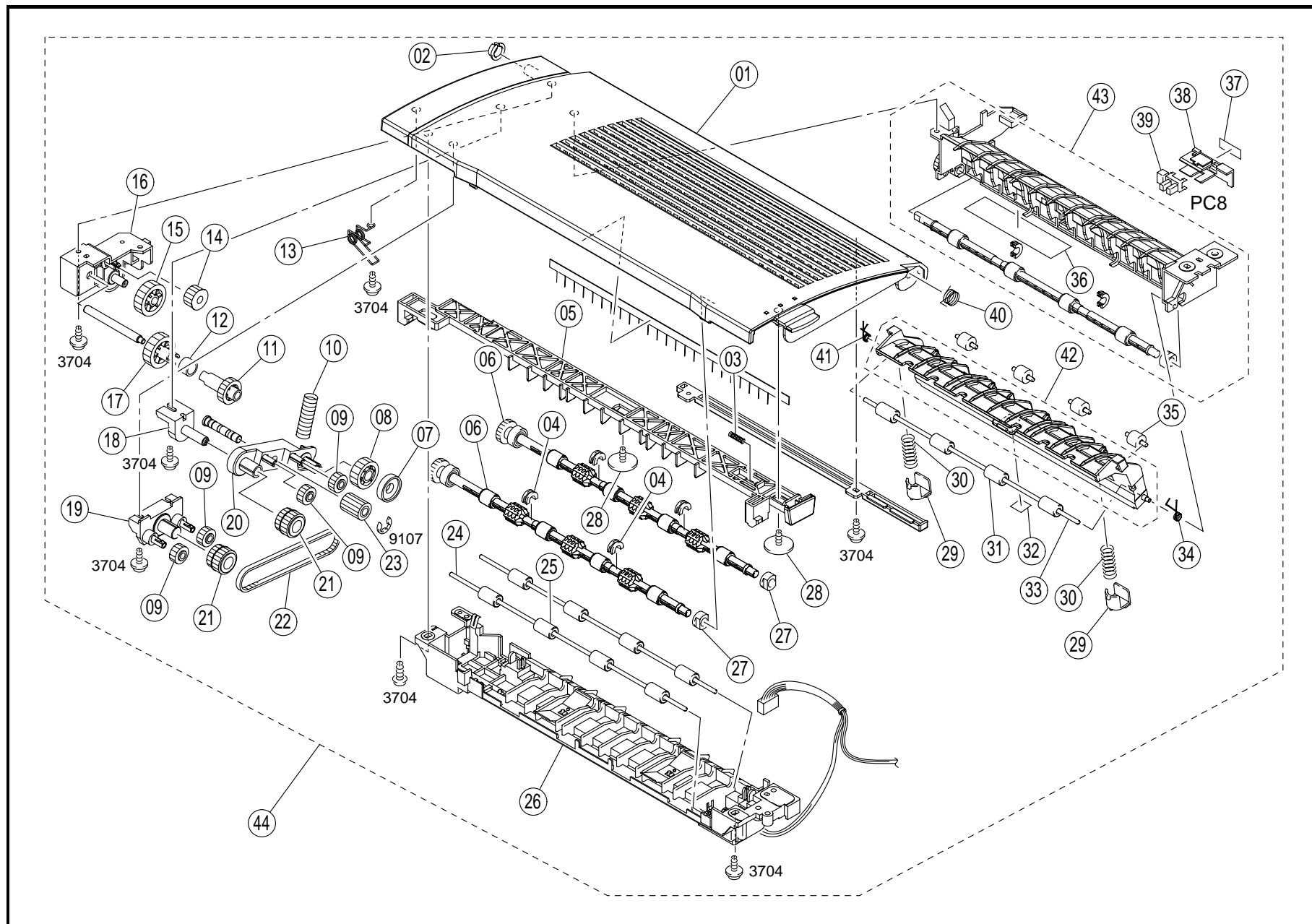
CONTENTS

1.	HOUSING	1
2.	PAPER EXIT SECTION	3
3.	FUSING SECTION	5
4.	ELECTRICAL COMPONENTS	7
5.	RAIL SECTION	9
6.	RACK/TRANSFER SECTION	11
7.	DRIVE SECTION	13
8.	FRAMES	15
9.	MULTIPLE TRAY SECTION	17
10.	PAPER TRANSPORT SECTION	19
11.	SYNCHRONIZE ROLLER SECTION	21
12.	PAPER TAKE-UP SECTION	23
13.	CASSETTE UNIT	25
14.	2ND CASSETTE (A) (OPTION)	27
15.	2ND CASSETTE (B) (OPTION)	29
16.	DUPLEX (OPTION)	31
17.	5-BIN MAILBIN HOUSING (OPTION)	33
18.	5-BIN MAILBIN PAPER TRANSPORT SECTION (OPTION)	35
19.	5-BIN MAILBIN DRIVE SECTION (OPTION)	37
20.	WIRING ACCESORIES AND JIGS	39
21.	SCREWS AND WASHERS	41
22.	NUMERICAL INDEX	42
23.	RECOMMENDED SPARE PARTS LIST	44



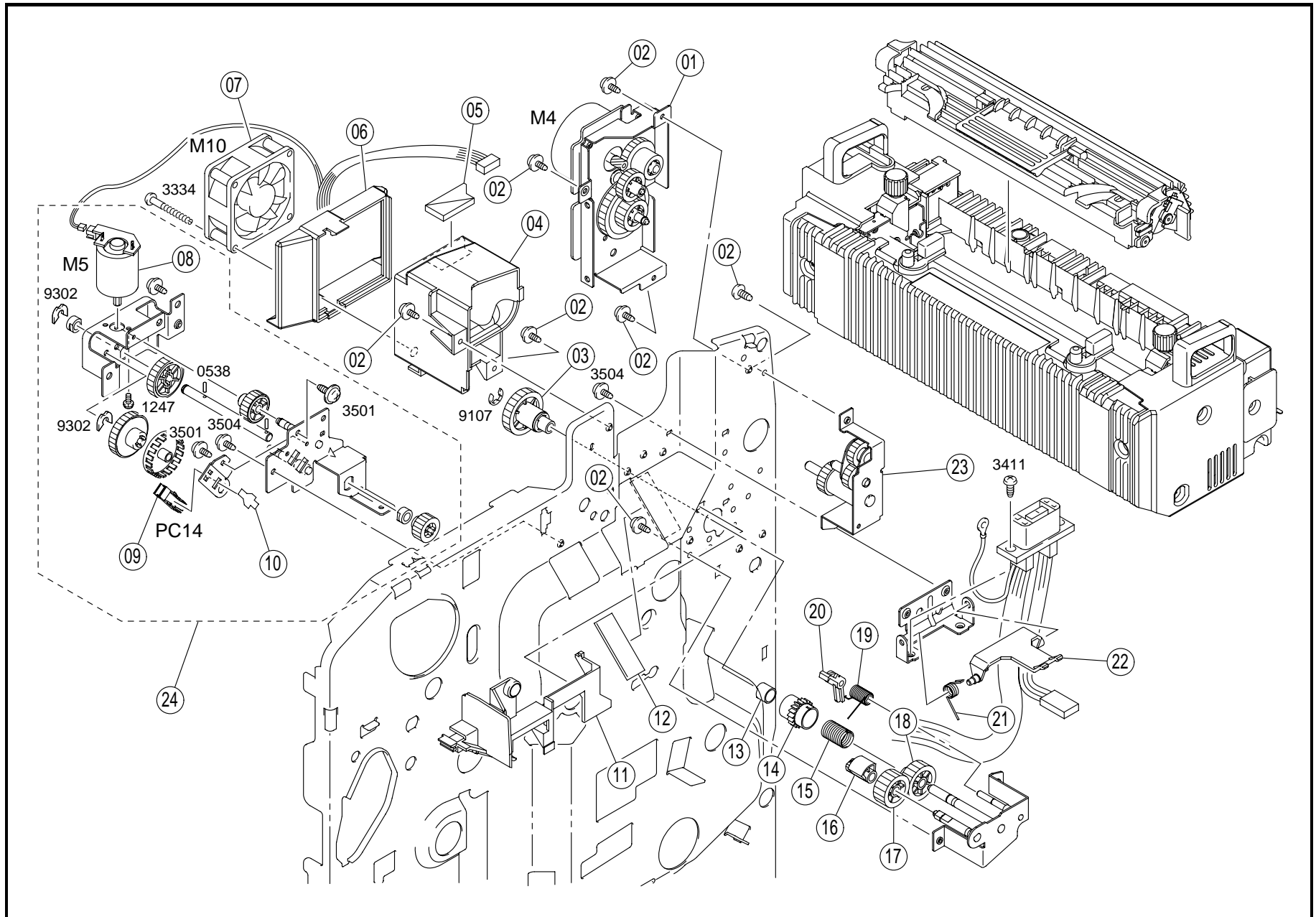
INDEX	PART NO.	PART NAME	REC	QTY	INDEX	PART NO.	PART NAME	REC	QTY
01	4120-1101-14	COVER		1	20	4120-7433-02	LABEL		1
02	4120-1106-14	BUTTON		1	21	4120-1004-02	SET PLATE		1
03	4120-1105-14	BUTTON		1	22	4120-1030-08	COVER		1
04	4120-1104-13	BUTTON		1	24	4120-1002-04	FRONT COVER		1
06	4120-1025-01	SCREW		2	25	4120-7419-01	LABEL		1
07	4120-1010-01	RIGHT COVER		1	26	4120-7361-01	LABEL		1
08	4120-1029-01	FILTER		1	27	4120-7362-01	LABEL		1
09	4120-1018-01	COVER		1	28	4120-1014-02	BAND		1
10	4120-1001-07	TOP COVER		1	29	4120-1117-01	HOLDER		1
11	4120-1019-01	COVER		1	30	9353-4000-21	LIQUID CRYSTAL DISPLAY		1
12	4120-1012-01	RIGHT COVER		1	31	4120-6013-01	PWB ASSY	OP PANEL (PWB-O)	1
13	4120-1007-03	RIGHT COVER		1	32	4120-1006-01	RIGHT COVER		1
14	4120-1031-03	REAR COVER		1	33	4120-1011-03	RIGHT COVER		1
15	4120-1003-03	LEFT COVER		1	34	4120-1107-02	PANEL SHEET		1
16	4120-1009-02	TRAY		1	35	4144-7314-01	LABEL		1
17	4120-1026-02	PAWL		2					
18	4120-1033-01	PLATE SPRING		2					
19	4120-1027-02	PRESSURE SPRING		2					

INDEX	PART NO.	PART NAME	REC	QTY	SFIX
05	4120-7430-01	LABEL		1	002
05	4120-7435-01	LABEL		1	202, 302
23	4120-7418-01	LABEL		1	002
23	4120-7434-01	LABEL		1	202, 302



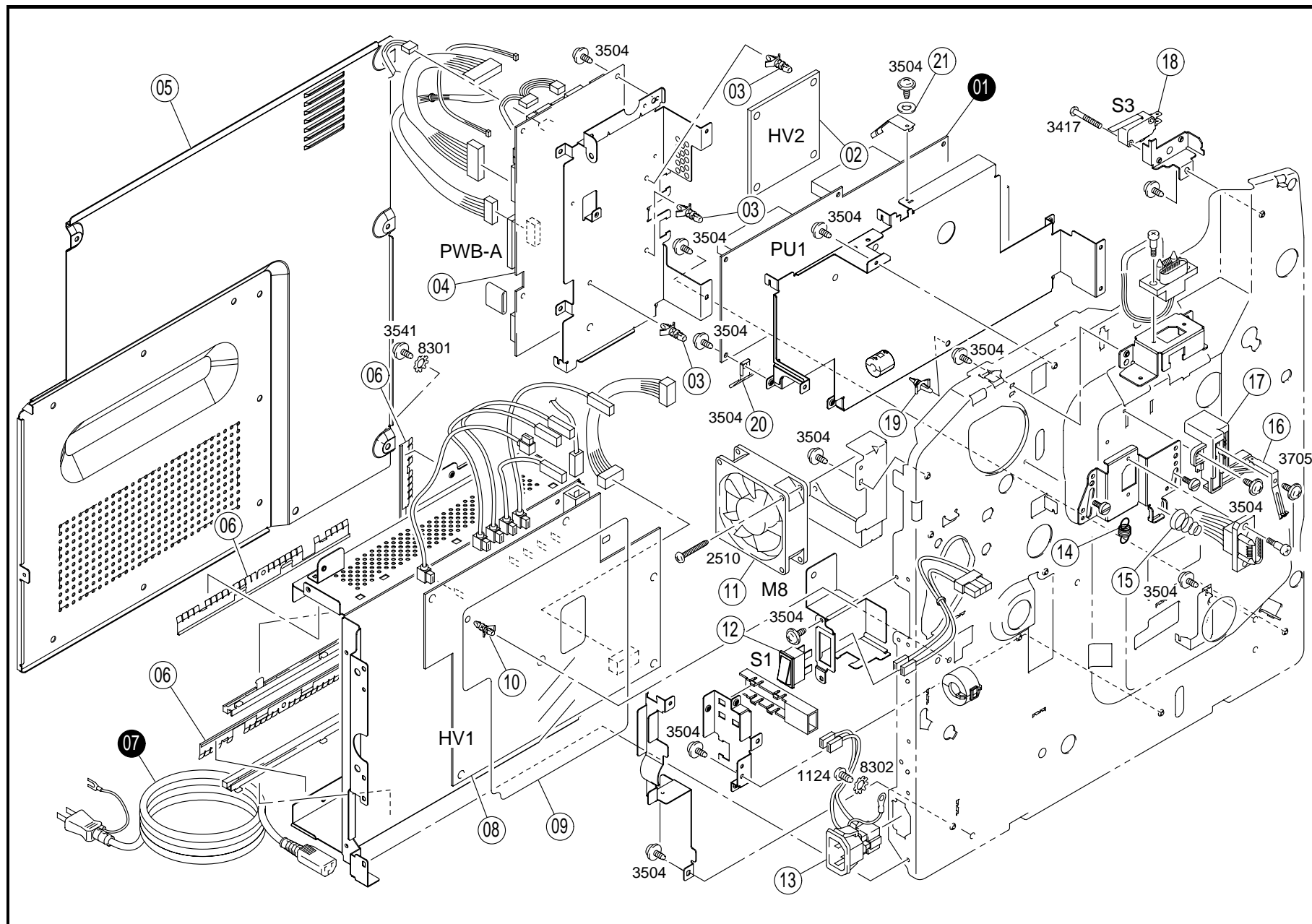
INDEX	PART NO.	PART NAME	REC	QTY	INDEX	PART NO.	PART NAME	REC	QTY
01	4120-0761-01	COVER ASSY		1	23	4120-3919-01	GEAR		1
02	4120-3956-01	BUSHING		1	24	4120-3906-02	SHAFT		2
03	4120-3926-01	PRESSURE SPRING		1	25	4120-3953-01	ROLL		8
04	4120-3946-01	BUSHING		4	26	4120-0754-01	GUIDE ASSY		1
05	4120-3925-03	LEVER		1	27	4120-3911-01	BUSHING		2
06	4120-0758-01	ROLLER ASSY		2	28	1250-2301-01	SCREW		2
07	4120-3967-01	COLLAR		1	29	4120-5617-01	HOLDER		2
08	4120-3964-01	GEAR		1	30	4120-5618-02	PRESSURE SPRING		2
09	4120-3915-01	GEAR		4	31	4120-3952-02	ROLL		4
10	4120-3965-02	PRESSURE SPRING		1	32	4120-7416-01	LABEL		1
11	4120-5607-01	GEAR		1	33	4120-5602-01	SHAFT		1
12	4120-3968-01	COLLAR		1	34	4120-5613-02	TORSION SPRING		1
13	4120-3944-03	TORSION SPRING		1	35	4120-3955-01	ROLL		4
14	4120-3942-02	GEAR		1	36	4120-7422-01	LABEL		1
15	4120-3941-01	GEAR		1	37	4109-5530-01	STOPPER		1
16	4120-5610-01	HOLDER		1	38	4120-3961-04	BRACKET		1
17	4120-5608-01	GEAR		1	39	9335-1910-41	SOLID STATE SWITCH	PAPER EXIT (PC8)	1
18	4120-3913-01	HOLDER		1	40	4120-3963-01	TORSION SPRING		1
19	4120-3914-01	HOLDER		1	41	4120-5614-02	TORSION SPRING		1
20	4120-3912-02	LEVER		1	42	4120-0752-01	GUIDE ASSY		1
21	4120-3917-01	PULLEY		2	43	4120-0757-01	GUIDE ASSY		1
22	4120-3916-01	TIMING BELT		1	44	4120-0767-01	GUIDE ASSY		1

INDEX	PART NO.	PART NAME	REC	QTY	SFIX



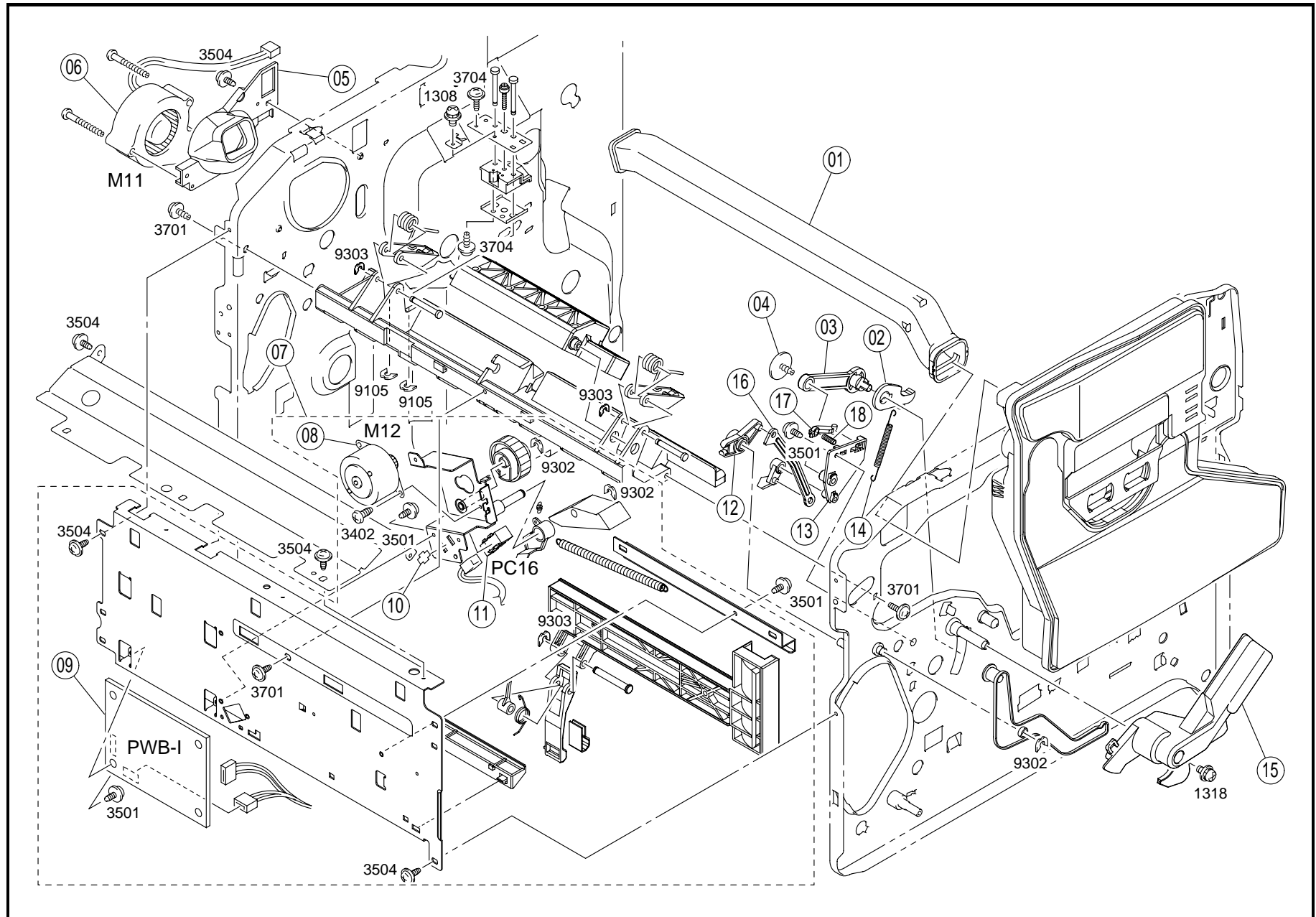
INDEX	PART NO.	PART NAME	REC	QTY	INDEX	PART NO.	PART NAME	REC	QTY
01	4120-0446-02	FUSING UNIT DRIVE ASSY FUSER (M4)		1	19	4120-5632-01	TORSION SPRING		1
02	4106-2063-01	SCREW		7	20	4120-5633-01	PAWL		1
03	4120-5625-02	GEAR		1	21	4120-2319-02	TORSION SPRING		1
04	4120-2052-01	DUCT		1	22	4120-2318-02	SHUTTER		1
05	4120-2065-01	SEAL		1	23	4120-0452-03	STOP PLATE ASSY		1
06	4120-2057-01	DUCT		1	24	4120-0437-02	FUSING UNIT DRIVE ASSY		1
07	9313-1910-51	FAN MOTOR FUSER FAN (M10)		1					
08	4120-0470-01	ALIENATION MOTOR ASSY FUSER PRESS (M5)		1					
09	9335-1910-41	SOLID STATE SWITCH RELEASE (PC14)		1					
10	1136-2131-03	STOPPER		1					
11	4120-2346-04	COVER		1					
12	4120-2345-01	PROTECTION		1					
13	4120-5646-03	COLLAR		1					
14	4120-5627-02	RATCHET		1					
15	4120-5628-03	TORSION SPRING	RP	1					
16	4120-5629-01	REGULATING PLATE		1					
17	4120-5639-01	GEAR		1					
18	4120-5626-01	GEAR		1					

INDEX	PART NO.	PART NAME	REC	QTY	SFIX



INDEX	PART NO.	PART NAME	REC	QTY	INDEX	PART NO.	PART NAME	REC	QTY
02	4120-6211-02	HV TRANSFORMER (HV2)	RP	1	21	1200-1411-01	WASHER		1
03	9384-1010-31	PWB SUPPORT 11.11H		3					
04	4120-0109-04	PWB ASSY (PWB-A)	RP	1					
05	4120-1008-14	REAR COVER		1					
06	4120-2328-13	PLATE SPRING		3					
08	4120-6210-04	HV TRANSFORMER (HV1)	RP	1					
09	4120-2313-01	COVER		1					
10	9384-1900-57	PWB SUPPORT 9.53H		4					
11	9313-1910-71	FAN MOTOR POWER FAN (M8)		1					
12	0990-6304-02	SWITCH POWER (S1)		1					
13	4120-6801-02	WIRE HARNESS ASSY		1					
14	4120-4602-01	TENSION SPRING		1					
15	4120-4611-01	PRESSURE SPRING		1					
16	4120-4604-02	CONTACT		1					
17	4120-0753-01	GUIDE ASSY		1					
18	9331-2710-11	MICROSWITCH INTERLOCK (S3)		1					
19	9384-1900-56	PWB SUPPORT 6.35H		1					
20	4120-2305-01	EARTH GROUND		1					

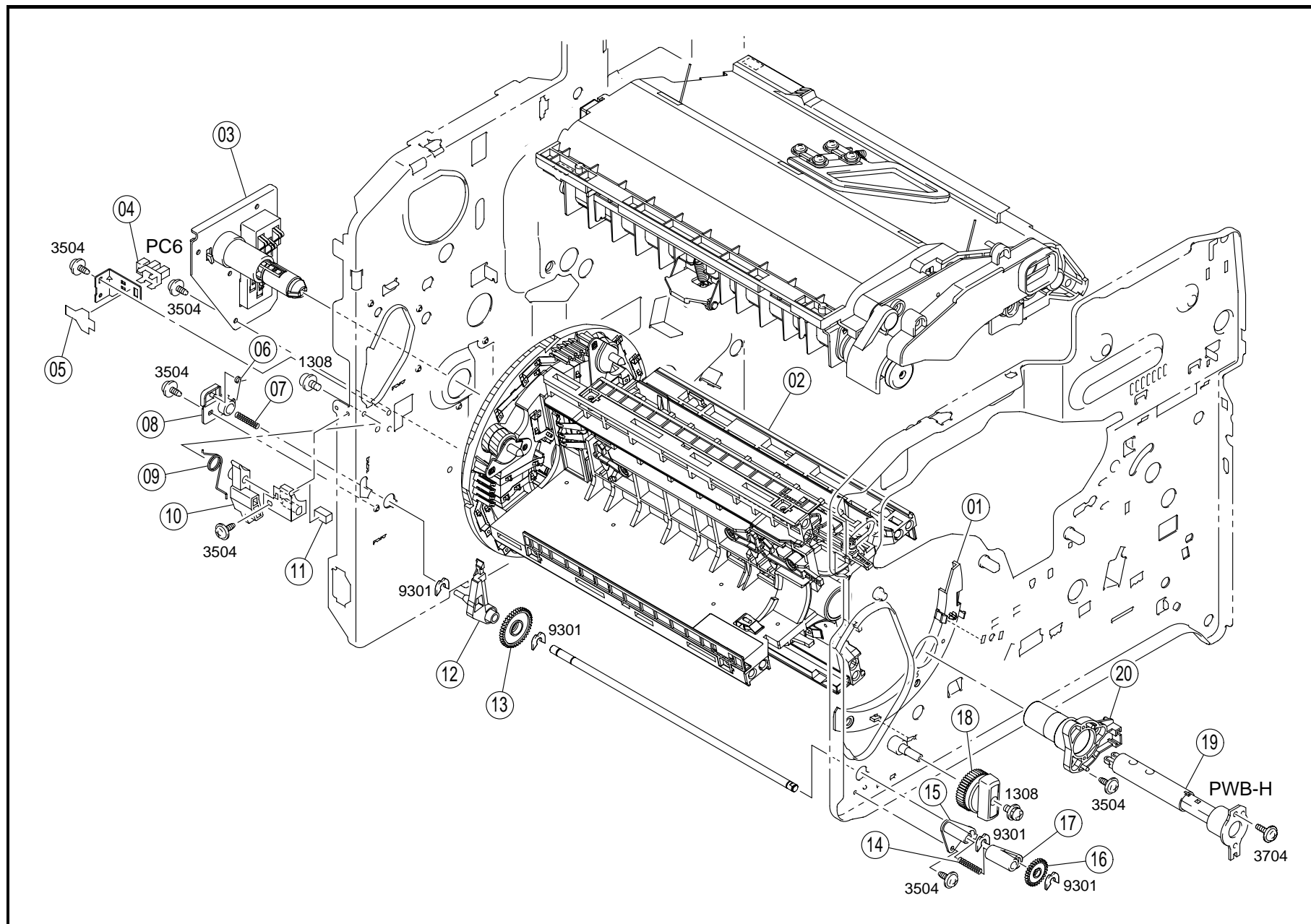
INDEX	PART NO.	PART NAME	REC	QTY	SFIX
01	4120-6201-05	POWER SUPPLY (PU1)		1	002, 302
01	4120-6202-05	POWER SUPPLY (PU1)		1	202
07	9381-4910-61	POWER CORD		1	002
07	9381-4910-91	POWER CORD		1	302



INDEX	PART NO.	PART NAME	REC	QTY	INDEX	PART NO.	PART NAME	REC	QTY
01	4120-0774-01	DUCT ASSY		1					
02	4120-1214-01	LEVER		1					
03	4120-1210-02	LEVER		1					
04	1250-2301-01	SCREW		1					
05	4120-4609-02	DUCT		1					
06	9313-1910-61	FAN MOTOR		1			TONER VACU (M11)		
07	4120-0361-03	LEVER ASSY		1					
08	9314-1910-11	MOTOR		1			CLEANER (M12)		
09	4120-0110-01	PWB ASSY	RP	1			CLEANER (PWB-I)		
10	4470-4024-01	STOPPER		1					
11	9335-1910-41	SOLID STATE SWITCH		1			BELT CLEAN (PC16)		
12	4120-1225-01	LEVER		1					
13	4120-2983-03	HOLDER		1					
14	4120-1213-02	TENSION SPRING		1					
15	4120-0775-01	LEVER ASSY		1					
16	4120-1229-01	LEVER		1					
17	4120-2982-01	LEVER		1					
18	4120-2984-01	PRESSURE SPRING		1					

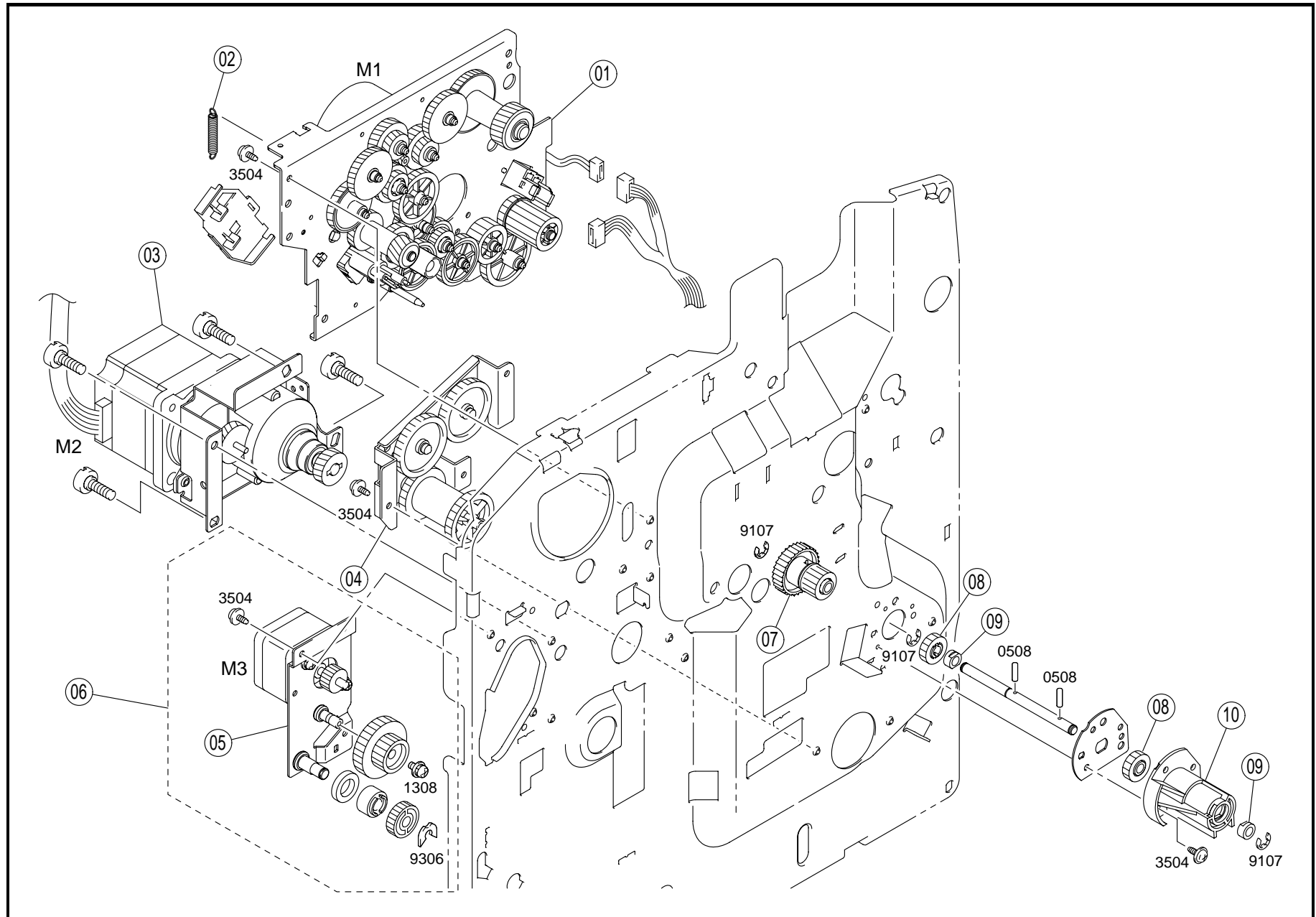
INDEX	PART NO.	PART NAME	REC	QTY	SFIX
-------	----------	-----------	-----	-----	------

--	--	--	--	--	--



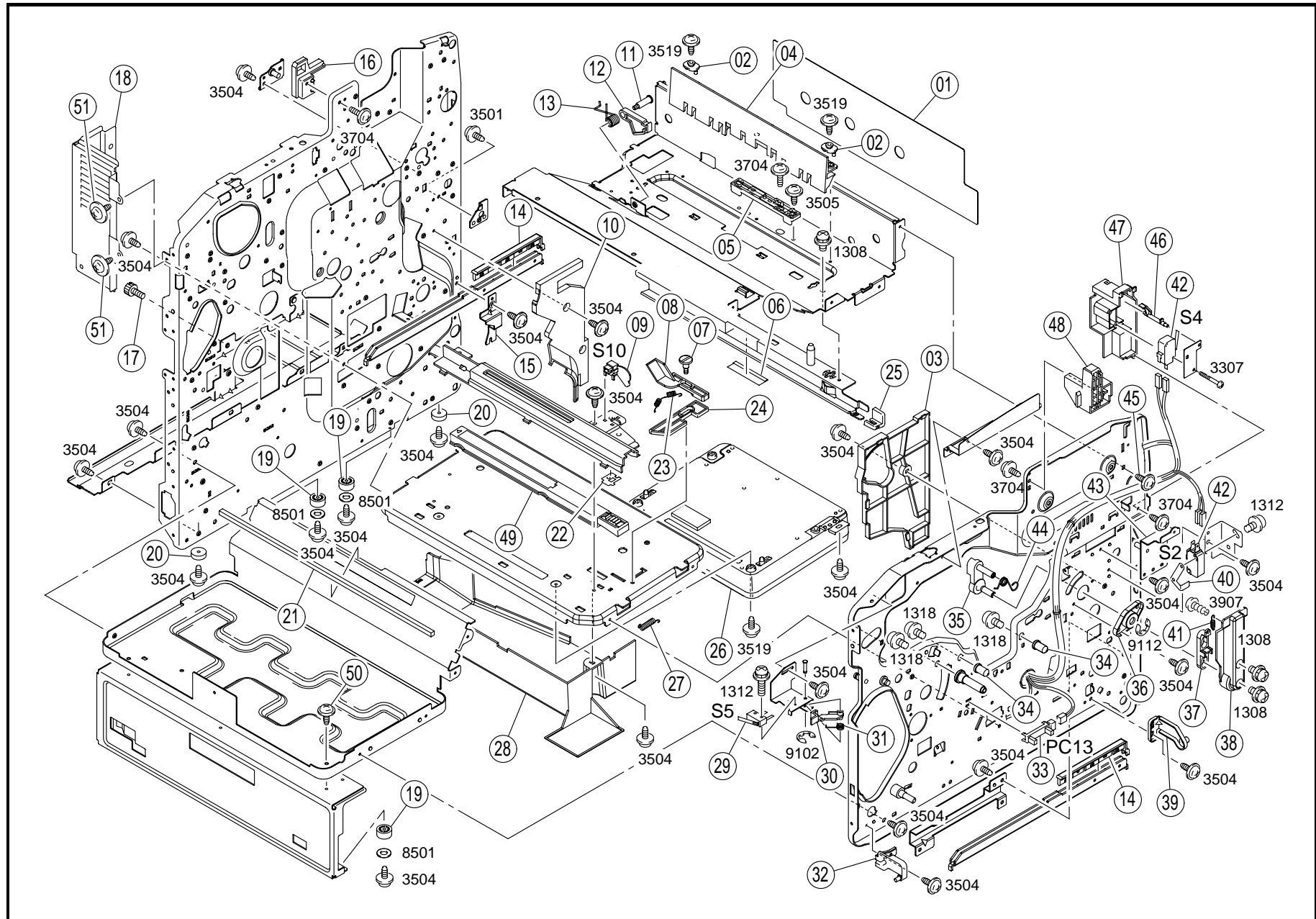
INDEX	PART NO.	PART NAME	REC	QTY	INDEX	PART NO.	PART NAME	REC	QTY
01	4120-2981-03	GUIDE		1	19	4120-0108-03	PWB ASSY		1
02	4120-0760-01	RACK ASSY		1	20	4120-2710-01	EMPTY (PWB-H) SHAFT	RP	1
03	4120-0425-03	AXLE PLATE ASSY		1					
04	9335-1910-41	SOLID STATE SWITCH		1					
05	1136-2131-03	STOPPER		1					
06	4120-2859-02	TORSION SPRING		1					
07	4120-2865-02	PRESSURE SPRING		1					
08	4120-2867-02	BUSHING		1					
09	4120-2808-01	TORSION SPRING		1					
10	4120-2803-02	LEVER		1					
11	4120-2809-03	SOUND SHIELD		1					
12	4120-2862-03	LEVER		1					
13	4120-2855-01	GEAR		1					
14	4120-2858-01	PRESSURE SPRING		1					
15	4120-2866-02	BUSHING		1					
16	4120-2853-01	GEAR		1					
17	4120-2864-02	LEVER		1					
18	4120-0386-03	KNOB ASSY		1					

INDEX	PART NO.	PART NAME	REC	QTY	SFIX



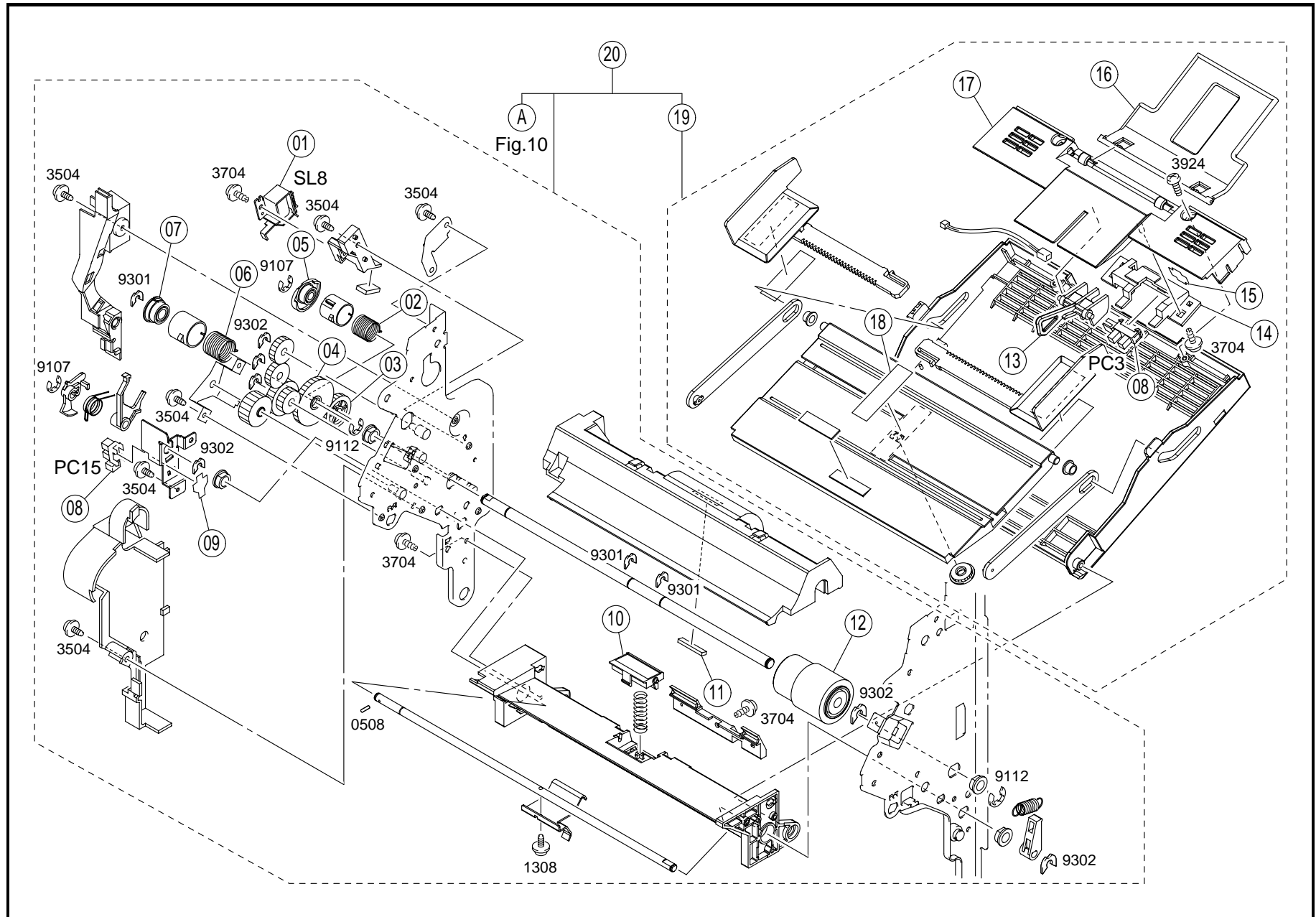
INDEX	PART NO.	PART NAME	REC	QTY	INDEX	PART NO.	PART NAME	REC	QTY
01	4120-0152-03	DRIVING ASSY		1					
02	4120-2621-02	TENSION SPRING		1					
03	4120-0443-03	MOTOR ASSY		1					
04	4120-0155-02	DRIVING ASSY		1					
05	4120-0755-01	MOTOR ASSY		1					
06	4120-0440-02	MOTOR ASSY		1					
07	4120-0154-03	CLUTCH ASSY		1					
08	4120-2554-01	GEAR		2					
09	4120-2553-01	BUSHING		2					
10	4120-2551-01	HOLDER		1					

INDEX	PART NO.	PART NAME	REC	QTY	SFIX



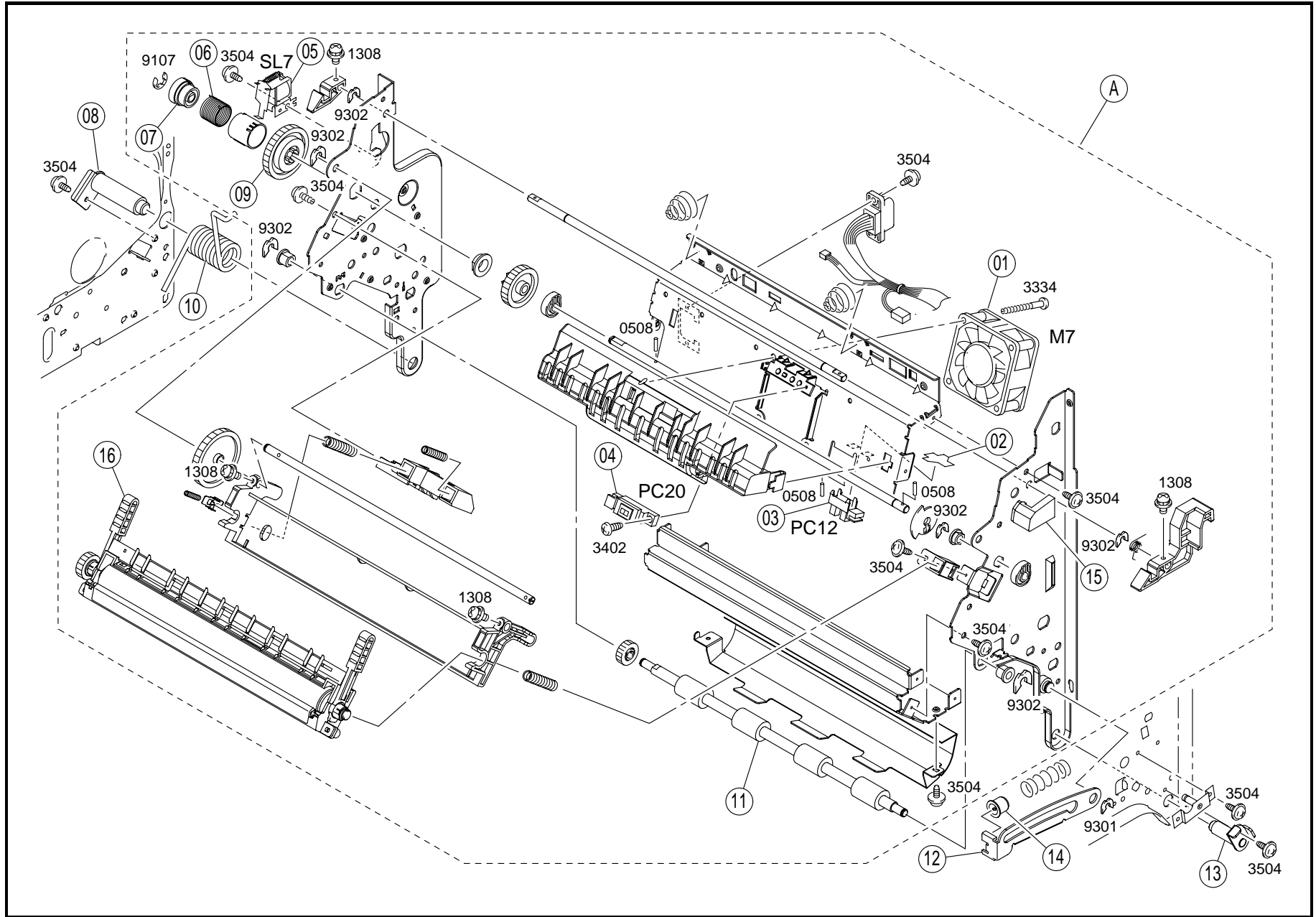
INDEX	PART NO.	PART NAME	REC	QTY	INDEX	PART NO.	PART NAME	REC	QTY
01	4120-2058-03	PROTECTION		1	27	4120-2056-01	TENSION SPRING		1
02	4120-5577-01	SPACER		2	28	4120-2041-02	DUCT		1
03	4120-3642-02	COVER		1	29	9331-2910-11	MICROSWITCH INTERLOCK (S5)		1
04	4120-5541-03	GUIDE		1	30	4120-2338-02	LEVER		1
05	4120-0769-01	HOLDER ASSY		1	31	4120-2339-01	TORSION SPRING		1
06	4120-2060-02	SHIELD PLATE		1	32	4120-1016-04	HINGE		1
07	4120-2059-01	SHOULDER SCREW		1	33	9335-1910-61	SOLID STATE SWITCH TONER FULL (PC13)		1
08	4120-2053-03	LEVER		1	34	4120-2025-01	PIN		2
09	9332-1910-21	PUSH BUTTON SWITCH WASTE TONER (S10)		1	35	4120-4062-02	LEVER		1
10	4120-3641-01	COVER		1	36	4120-4063-01	BUSHING		1
11	1100-1344-12	SHOULDER SCREW		1	37	4120-4065-01	LEVER		1
12	4120-4594-01	LEVER		1	38	4120-4061-02	LEVER		1
13	4120-4596-01	TORSION SPRING		1	39	4120-1015-04	HINGE		1
14	4120-2037-02	CAP		2	40	1076-1203-02	PLATE NUT		1
15	4120-2014-01	BRACKET		1	41	4120-4066-01	TENSION SPRING		1
16	4120-3924-02	STOPPER		1	42	9331-2710-11	MICROSWITCH INTERLOCK (S2.4)		2
17	4142-3604-01	SCREW		1	43	4120-0223-01	CALKING ASSY		1
18	4120-1032-04	REAR COVER		1	44	4120-4064-01	TORSION SPRING		1
19	0996-3055-01	RUBBER FOOT		3	45	4106-2063-01	SCREW		10
20	4120-2063-01	COLLAR		2	46	4120-2334-01	LEVER		1
21	4120-2047-01	SEAL		1	47	4120-2336-03	HOLDER		1
22	4120-4702-02	STOPPER		1	48	4120-3951-03	STOPPER		1
23	4120-2055-02	TENSION SPRING		1	49	4120-0455-02	WINDOW ASSY	RP	1
24	4120-2054-01	LEVER		1	50	4154-3804-01	SCREW		5
25	4120-2036-04	GUIDE		1	51	1250-2301-01	SCREW		2
26	4120-0531-03	LASER UNIT ASSY		1					

INDEX	PART NO.	PART NAME	REC	QTY	SFIX



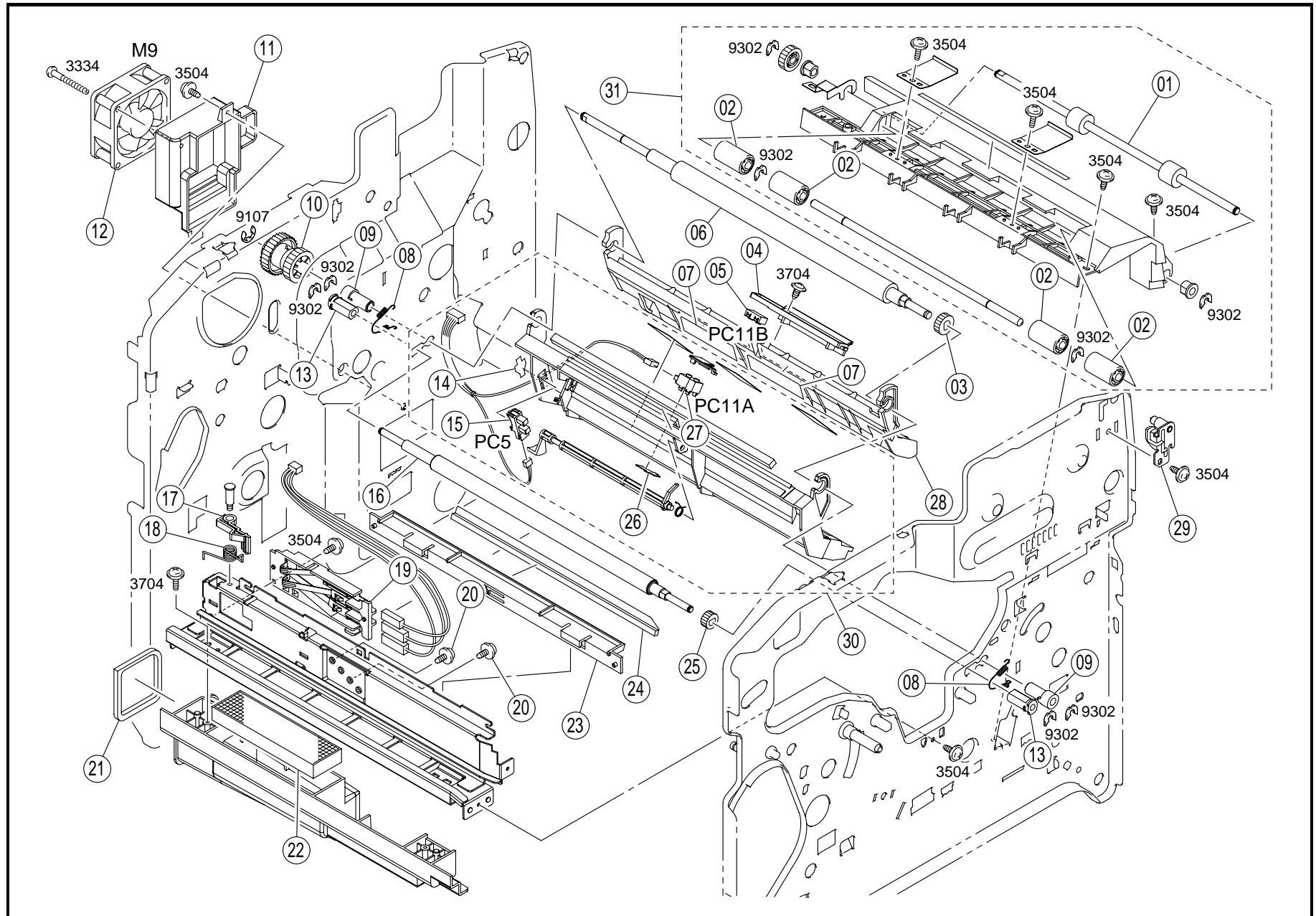
INDEX	PART NO.	PART NAME	REC	QTY	INDEX	PART NO.	PART NAME	REC	QTY
01	9321-2000-21	SOLENOID TAKE-UP (SL8)		1	19	4120-0351-04	MULTIPLE TRAY ASSY		1
02	4120-3036-01	TORSION SPRING	RP	1	20	4120-0766-01	SIDE OPEN ASSY		1
03	4120-3030-01	GEAR		1					
04	4120-2531-01	GEAR		1					
05	4120-3027-01	CAM		1					
06	0990-3016-01	CLUTCH SPRING	RP	1					
07	4120-3012-01	DRUM		1					
08	9335-1910-41	SOLID STATE SWITCH (PC3.15)		2					
09	1136-2131-03	STOPPER		1					
10	4120-0756-01	SEPARATOR ASSY	RP	1					
11	1164-3067-01	CLANING MATERIAL		1					
12	4120-3001-01	ROLLER	RP	1					
13	4120-3013-01	ACTUATOR		1					
14	4120-3018-01	HOLDER		1					
15	4470-4024-01	STOPPER		1					
16	4120-3038-01	TRAY		1					
17	4120-3032-03	COVER		1					
18	4120-7480-01	LABEL		1					

INDEX	PART NO.	PART NAME	REC	QTY	SFIX



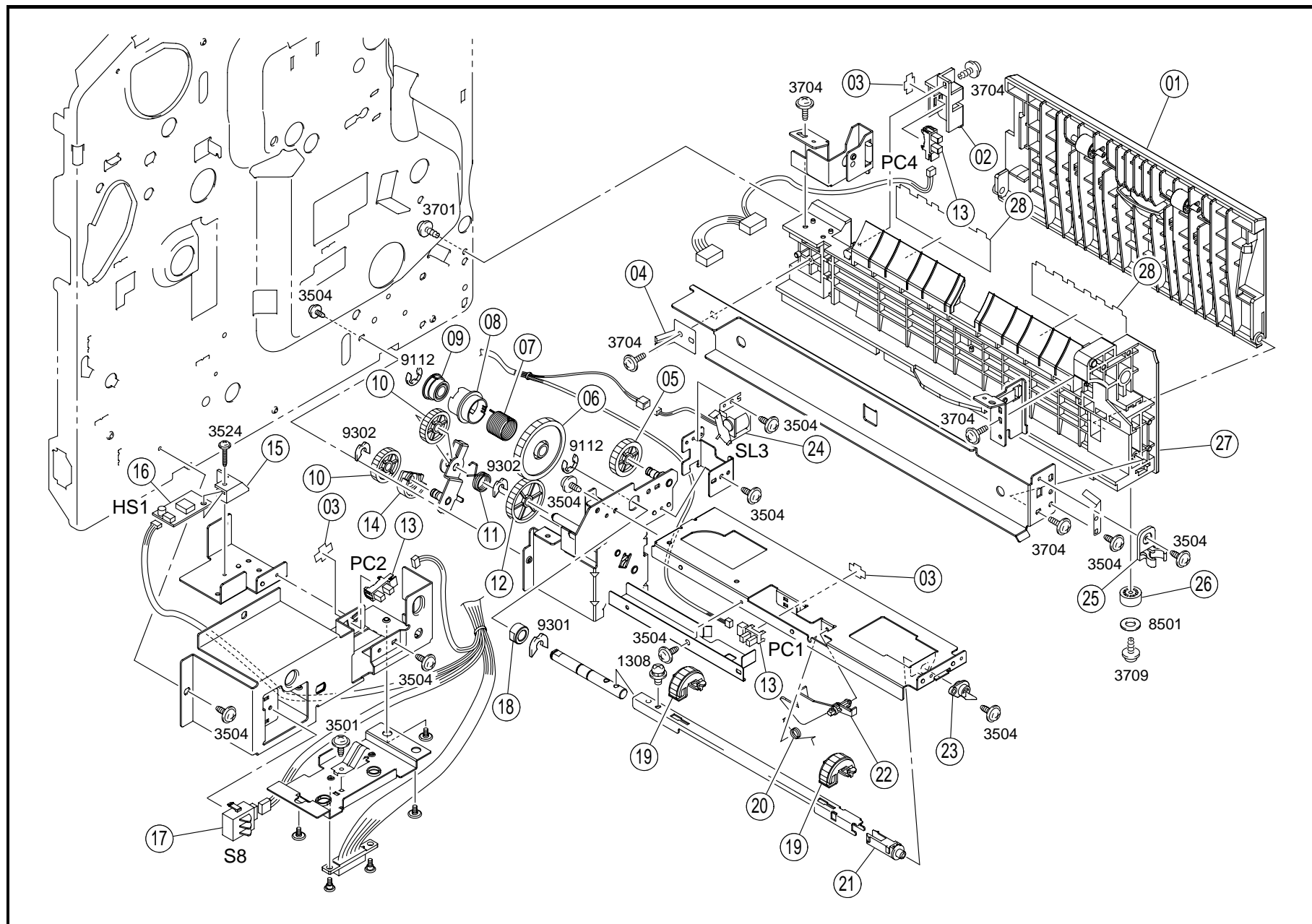
INDEX	PART NO.	PART NAME	REC	QTY	INDEX	PART NO.	PART NAME	REC	QTY
01	9313-1910-51	FAN MOTOR SUCTION FAN (M7)		1					
02	1136-2131-03	STOPPER		1					
03	9335-1910-41	SOLID STATE SWITCH BELT (PC12)		1					
04	4120-0776-01	SENSOR ASSY MIDDLE PAP (PC20)		1					
05	9321-2000-21	SOLENOID TRANSFER (SL7)		1					
06	4120-4034-01	TORSION SPRING	RP	1					
07	4120-4038-02	DRUM		1					
08	4120-0220-01	CALKING ASSY		1					
09	4120-4032-02	GEAR		1					
10	4120-3613-04	TORSION SPRING		1					
11	4120-3046-01	ROLLER		1					
12	4120-3614-03	LEVER		1					
13	4120-0219-02	SHAFT ASSY		1					
14	4120-3637-01	HOLDER		1					
15	4120-3555-01	DUCT		1					
16	4120-0356-05	TRANSFER ROLLER ASSY	RP	1					

INDEX	PART NO.	PART NAME	REC	QTY	SFIX



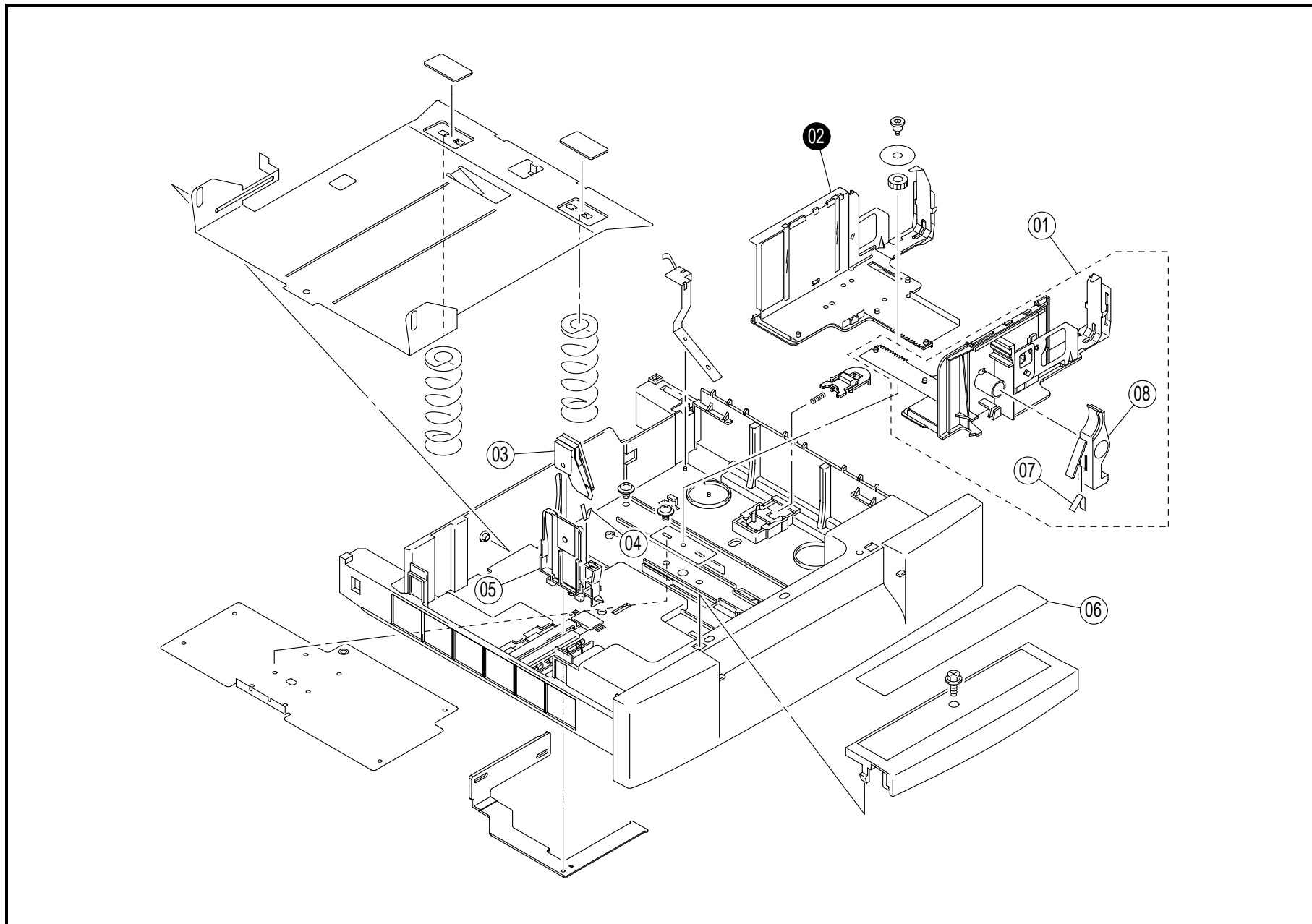
INDEX	PART NO.	PART NAME	REC	QTY	INDEX	PART NO.	PART NAME	REC	QTY
01	4120-3234-01	ROLLER		1	19	4120-0763-01	HOLDER ASSY		1
02	4120-3042-01	ROLL		4	20	4106-2063-01	SCREW		2
03	4120-3505-01	GEAR		1	21	4120-2048-01	SEAL		1
04	4120-3526-01	HANDLE		1	22	4120-2045-02	FILTER	RP	1
05	9335-1910-21	SOLID STATE SWITCH OHP (PC11B)		1	23	4120-3518-04	GUIDE		1
06	4120-3501-02	ROLLER		1	24	4120-3520-02	GUIDE		1
07	4120-3525-01	GUIDE		2	25	4120-3508-01	GEAR		1
08	4120-3506-01	TENSION SPRING		2	26	4120-3515-01	STOPPER		1
09	4120-3509-01	BUSHING		2	27	9335-1910-11	SOLID STATE SWITCH OHP (PC11A)		1
10	4120-0153-01	CLUTCH ASSY		1	28	4120-3521-04	GUIDE		1
11	4120-2044-01	DUCT		1	29	4120-0202-02	CALKING ASSY		1
12	9313-1910-51	FAN MOTOR OZONE FAN (M9)		1	30	4120-0407-02	GUIDE ASSY		1
13	4120-3503-02	BUSHING		2	31	4120-0416-03	GUIDE ASSY		1
14	1136-2131-03	STOPPER		1					
15	9335-1910-41	SOLID STATE SWITCH TIMING ROLLE (PC5)		1					
16	4120-3502-01	ROLLER		1					
17	4120-2026-02	LEVER		1					
18	4120-2027-01	TORSION SPRING		1					

INDEX	PART NO.	PART NAME	REC	QTY	SFIX



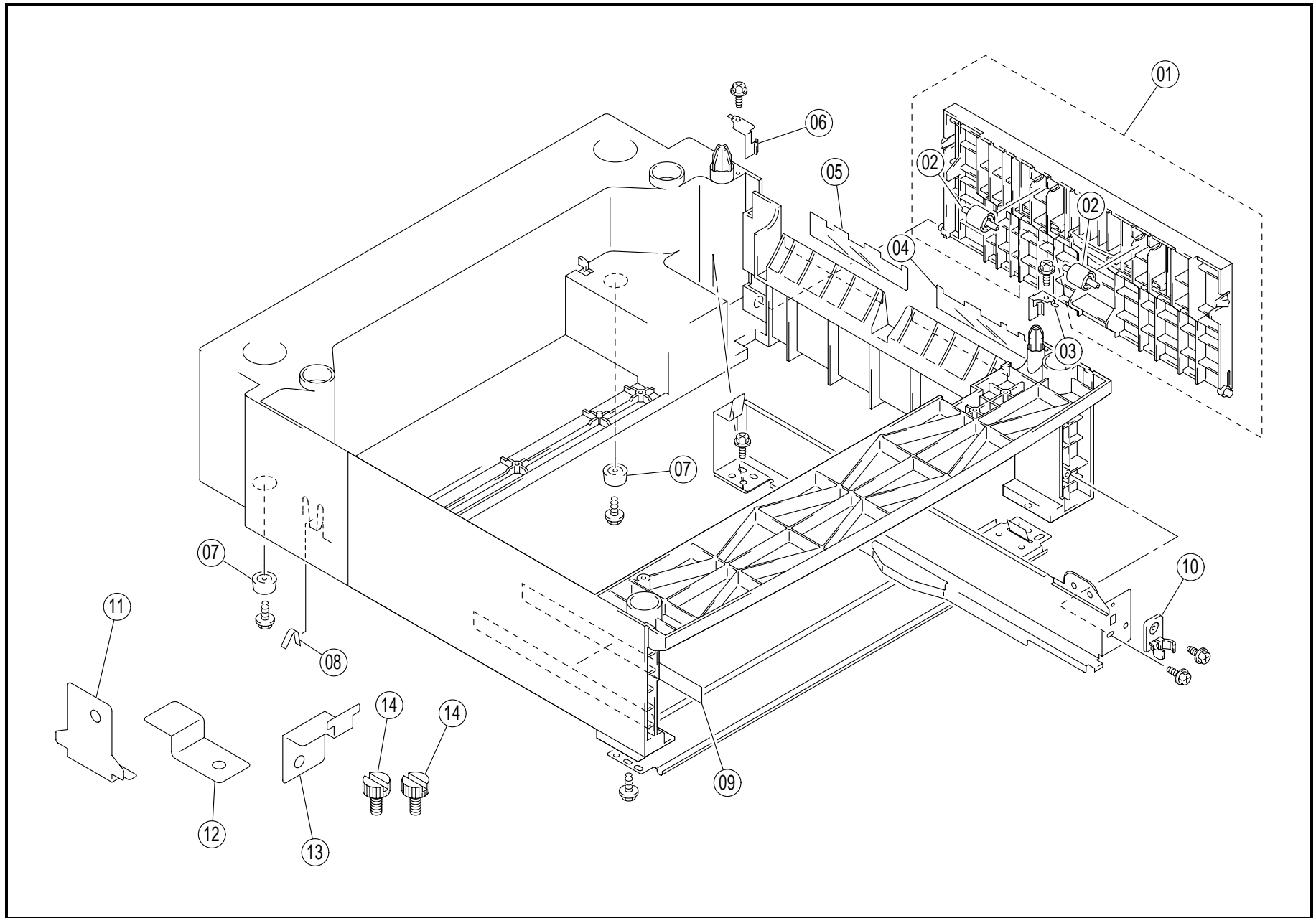
INDEX	PART NO.	PART NAME	REC	QTY	INDEX	PART NO.	PART NAME	REC	QTY
01	4120-0371-04	VERTICAL TRANSPORT ASSY		1	19	4142-0212-02	ROLLER ASSY	RP	2
02	4120-3203-01	HOLDER		1	20	4120-3282-01	TORSION SPRING		1
03	4470-4024-01	STOPPER		3	21	4498-3334-01	SHAFT		1
04	4120-3206-01	PLATE SPRING		1	22	4120-3281-01	ACTUATOR		1
05	4120-2570-01	GEAR		1	23	4120-3240-01	BUSHING		1
06	4120-3272-01	GEAR		1	24	9321-2910-21	SOLENOID TAKE-UP (SL3)		1
07	4120-3274-01	TORSION SPRING	RP	1	25	4142-3116-01	GUIDE		1
08	4120-3271-03	HOLDER		1	26	0996-3055-01	RUBBER FOOT		1
09	4120-3012-01	DRUM		1	27	4120-3201-08	GUIDE		1
10	4120-3276-01	GEAR		2	28	4120-3207-02	GUIDE		2
11	4120-3266-02	TORSION SPRING		1					
12	4120-3264-01	GEAR		1					
13	9335-1910-41	SOLID STATE SWITCH (PC1.2.4)		3					
14	4120-3268-01	COLLAR		1					
15	4120-3255-02	HOLDER		1					
16	9372-5910-11	HUMIDITY CONVERSION EL. HUMIDITY (HS1)		1					
17	9332-3710-11	SWITCH (DETECT) PAPER SIZE (S8)		1					
18	1200-3131-07	BUSHING		1					

INDEX	PART NO.	PART NAME	REC	QTY	SFIX



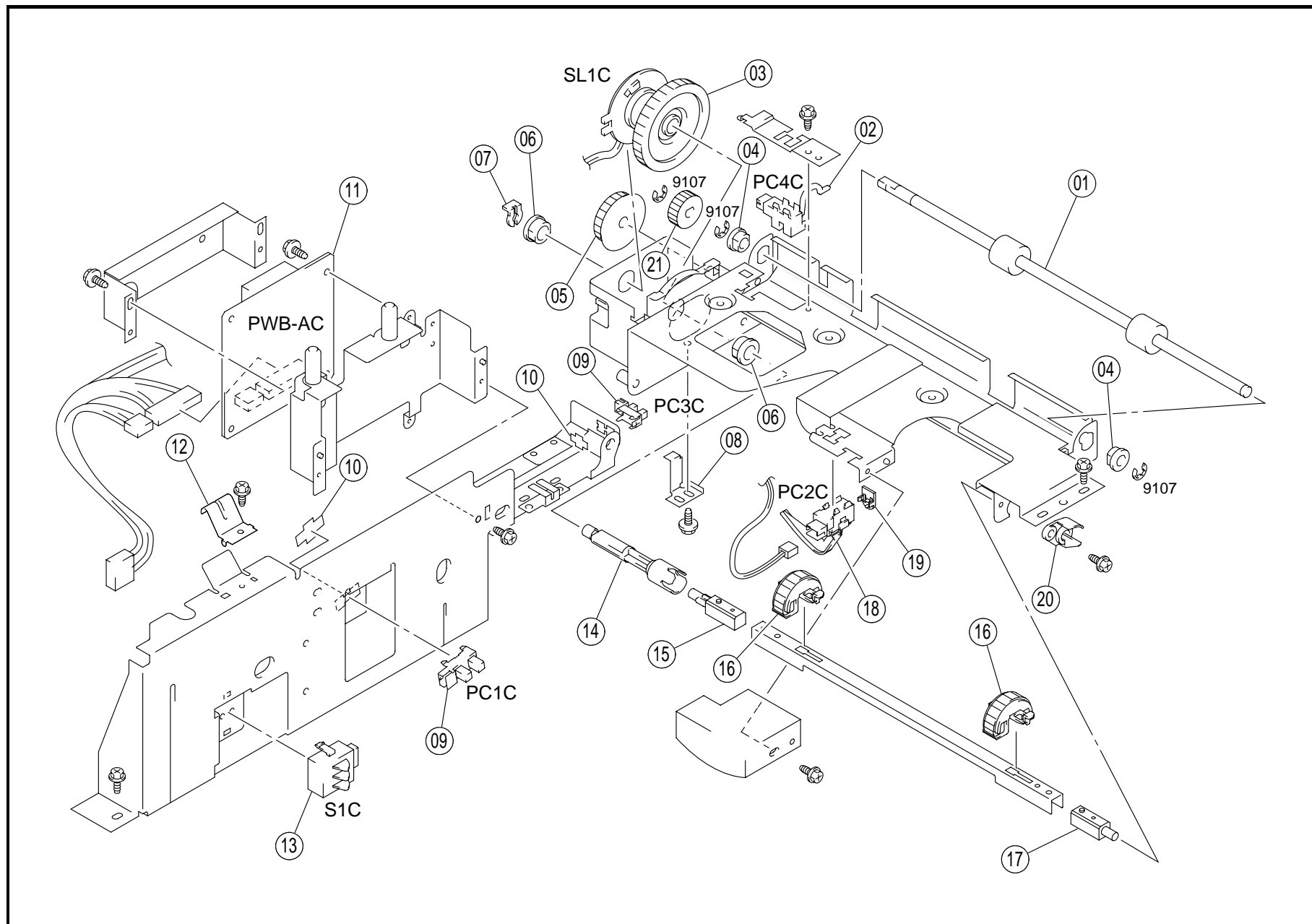
INDEX	PART NO.	PART NAME	REC	QTY	INDEX	PART NO.	PART NAME	REC	QTY
01	4120-0161-02	REGULATING PLATE ASSY		1					
03	4120-0166-01	REGULATING PLATE ASSY		1					
04	4120-3129-01	PLATE SPRING		1					
05	4120-3110-04	REGULATING PLATE		1					
06	4120-7425-02	LABEL		1					
07	4120-3130-01	PLATE SPRING		1					
08	4120-3118-03	LEVER		1					

INDEX	PART NO.	PART NAME	REC	QTY	SFIX
02	4120-0163-02	REGULATING PLATE ASSY		1	002
02	4120-0164-02	REGULATING PLATE ASSY		1	202, 302



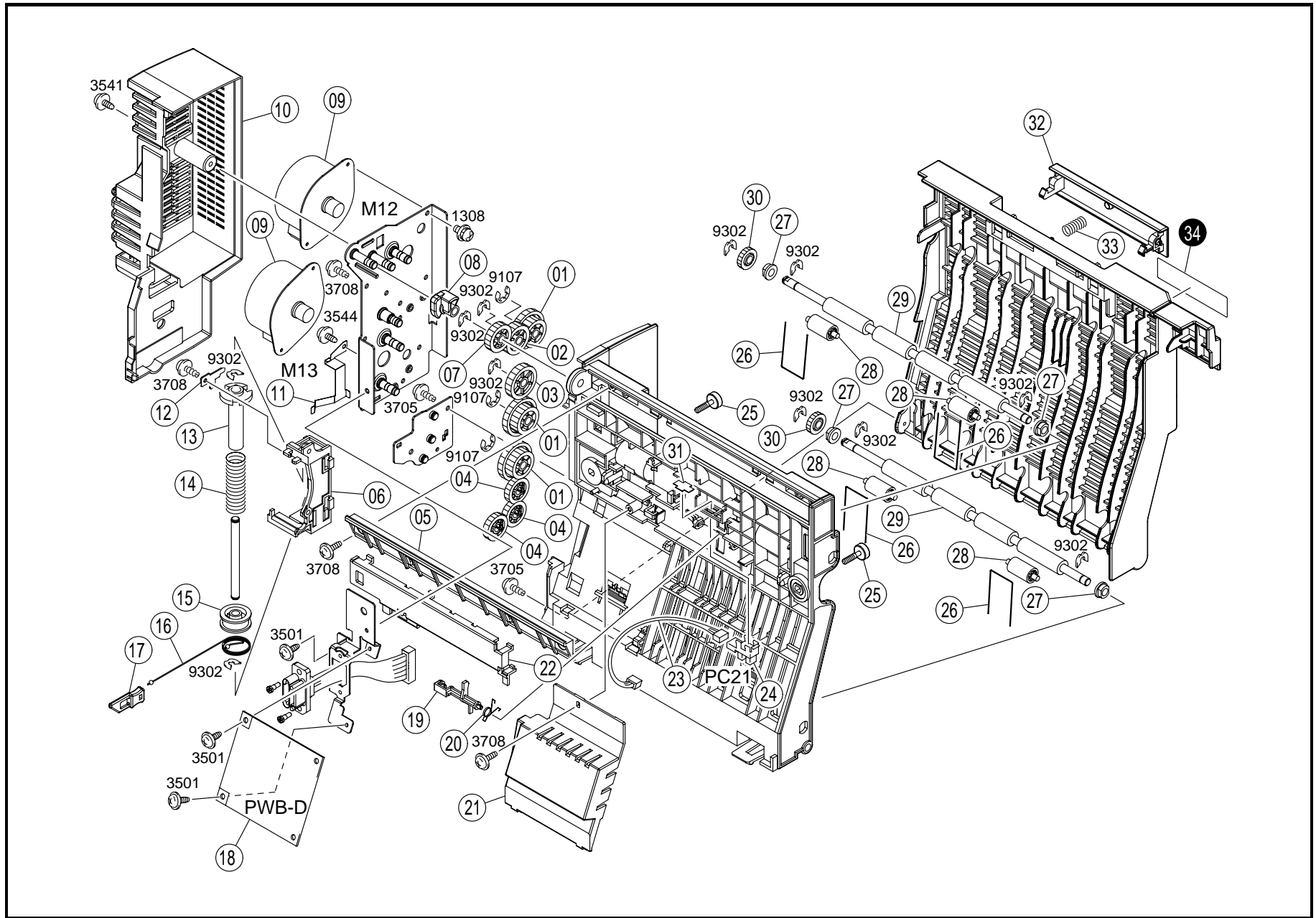
INDEX	PART NO.	PART NAME	REC	QTY	INDEX	PART NO.	PART NAME	REC	QTY
01	4142-0151-01	GUIDE ASSY		1					
02	4142-3302-01	ROLL		2					
03	4142-3115-03	PLATE SPRING		1					
04	4142-3121-01	GUIDE		1					
05	4142-3122-01	GUIDE		1					
06	4142-3117-03	PLATE SPRING		1					
07	0996-3055-01	RUBBER FOOT		2					
08	4142-3131-01	PLATE SPRING		1					
09	4142-3124-01	GUIDE		1					
10	4142-3116-01	GUIDE		1					
11	4142-3601-02	COUPLING		1					
12	4142-3602-02	COUPLING		1					
13	4142-3603-02	COUPLING		1					
14	4142-3604-01	SCREW		2					

INDEX	PART NO.	PART NAME	REC	QTY	SFIX



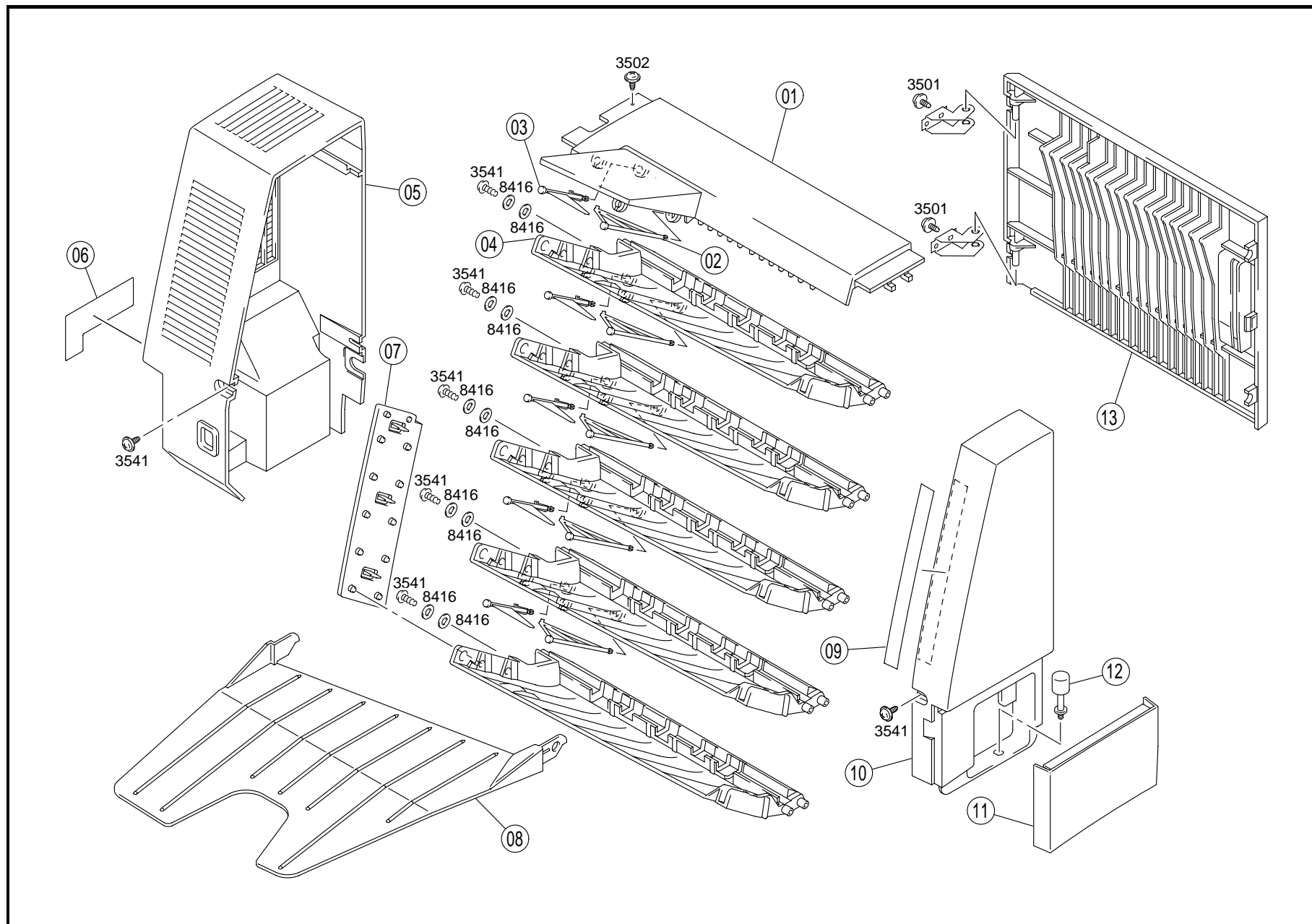
INDEX	PART NO.	PART NAME	REC	QTY	INDEX	PART NO.	PART NAME	REC	QTY
01	4142-3210-02	ROLLER		1	19	4142-3227-01	HOLDER		1
02	4142-6304-01	SOLID STATE SWITCH TAKE-UP (PC4C)		1	20	4142-3215-03	BUSHING		1
03	4142-6201-01	CLUTCH TAKE-UP (SL1C)		1	21	4142-3211-01	GEAR		1
04	4142-3218-01	BUSHING		2					
05	4142-3207-01	GEAR		1					
06	4142-3216-01	BUSHING		2					
07	4142-3217-01	STOP RING		1					
08	4142-3208-02	STOPPER		1					
09	4142-6303-01	SOLID STATE SWITCH EMPTY (PC1C.3C)		2					
10	4470-4024-01	STOPPER		2					
11	4142-6001-01	PWB ASSY (PWB-AC)	RP	1					
12	4142-3105-01	PLATE SPRING		1					
13	4142-6301-01	PUSH BUTTON SWITCH PAPER SIZE (S1C)		1					
14	4142-3213-01	SHAFT		1					
15	4142-3225-01	JOINT		1					
16	4142-0212-02	ROLLER ASSY	RP	2					
17	4142-3226-01	JOINT		1					
18	4142-6302-01	SOLID STATE SWITCH EMPTY (PC2C)		1					

INDEX	PART NO.	PART NAME	REC	QTY	SFIX



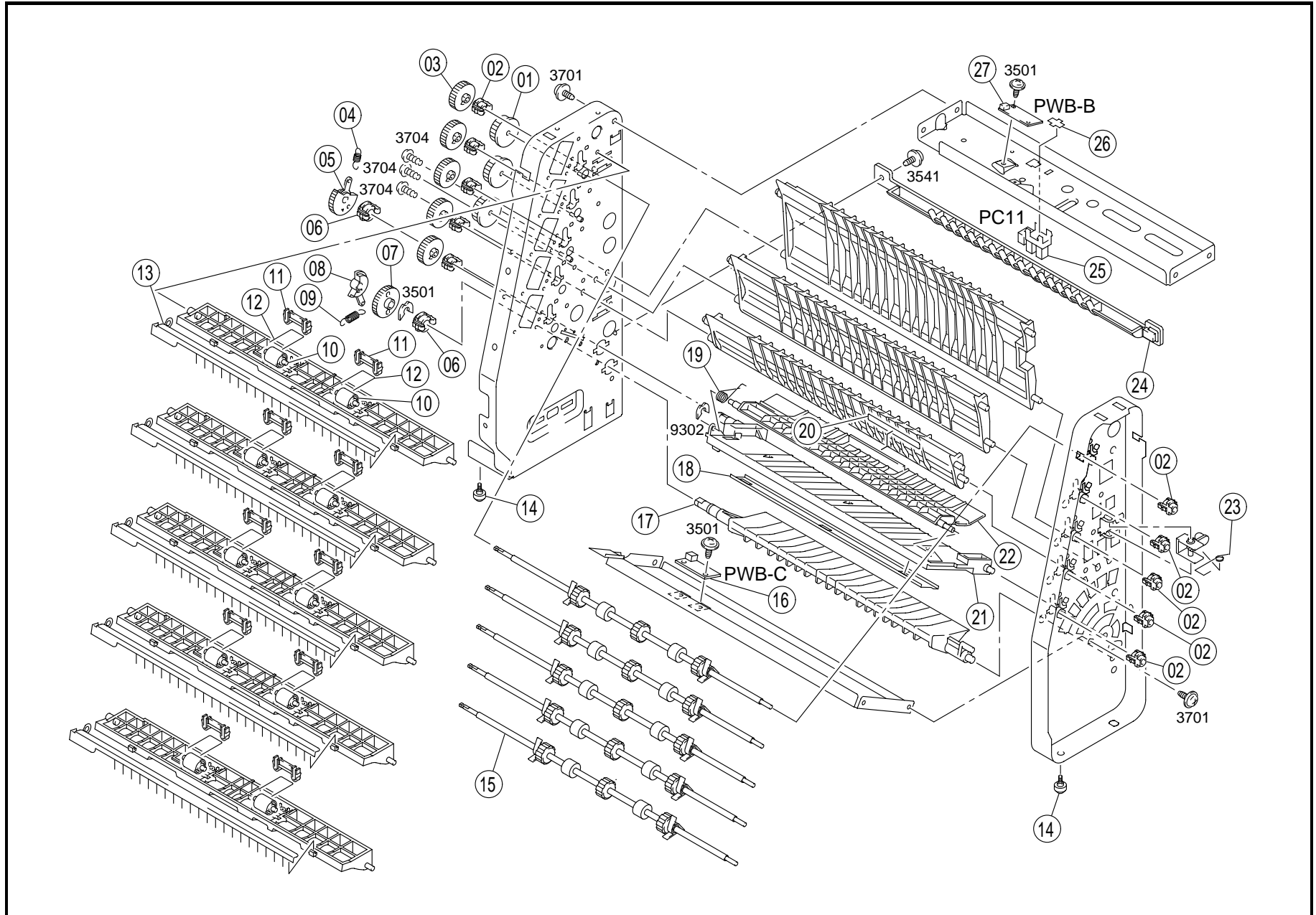
INDEX	PART NO.	PART NAME	REC	QTY	INDEX	PART NO.	PART NAME	REC	QTY
01	4143-3741-01	GEAR		3	19	4143-3706-02	ACTUATOR		1
02	4143-3750-01	GEAR		1	20	4143-3707-02	TORSION SPRING		1
03	4143-3744-01	GEAR		1	21	4143-3713-02	COVER		1
04	4143-3743-01	GEAR		3	22	4143-3703-01	COVER		1
05	4143-3709-01	GUIDE		1	23	4143-6802-01	WIRE HARNESS ASSY		1
06	4143-3760-02	HOLDER		1	24	9335-1910-41	SOLID STATE SWITCH (PC21)		1
07	4143-3751-01	GEAR		1	25	4143-3708-02	SHOULDER SCREW		2
08	4143-3752-02	COLLAR		1	26	4143-3721-01	SPRING		4
09	9314-1910-32	MOTOR (M12.M13)		2	27	1274-2611-01	BUSHING		4
10	4143-3712-02	REAR COVER		1	28	4143-3720-01	ROLL		4
11	4143-3714-02	PLATE SPRING		1	29	4143-3722-01	ROLLER		2
12	4143-3765-01	BRACKET		1	30	4143-3723-01	GEAR		2
13	4143-3762-01	COLLAR		1	31	4470-4024-01	STOPPER		1
14	4143-3766-01	TORSION SPRING		1	32	4143-3704-02	PAWL		1
15	4143-3761-01	PULLEY		1	33	4143-3705-01	PRESSURE SPRING		1
16	4143-3764-01	WIRE		1					
17	4143-3767-03	HOLDER		1					
18	4143-0101-02	PWB ASSY (PWB-D)		1					

INDEX	PART NO.	PART NAME	REC	QTY	SFIX
34	4120-7430-01	LABEL		1	002
34	4120-7435-01	LABEL		1	202, 302



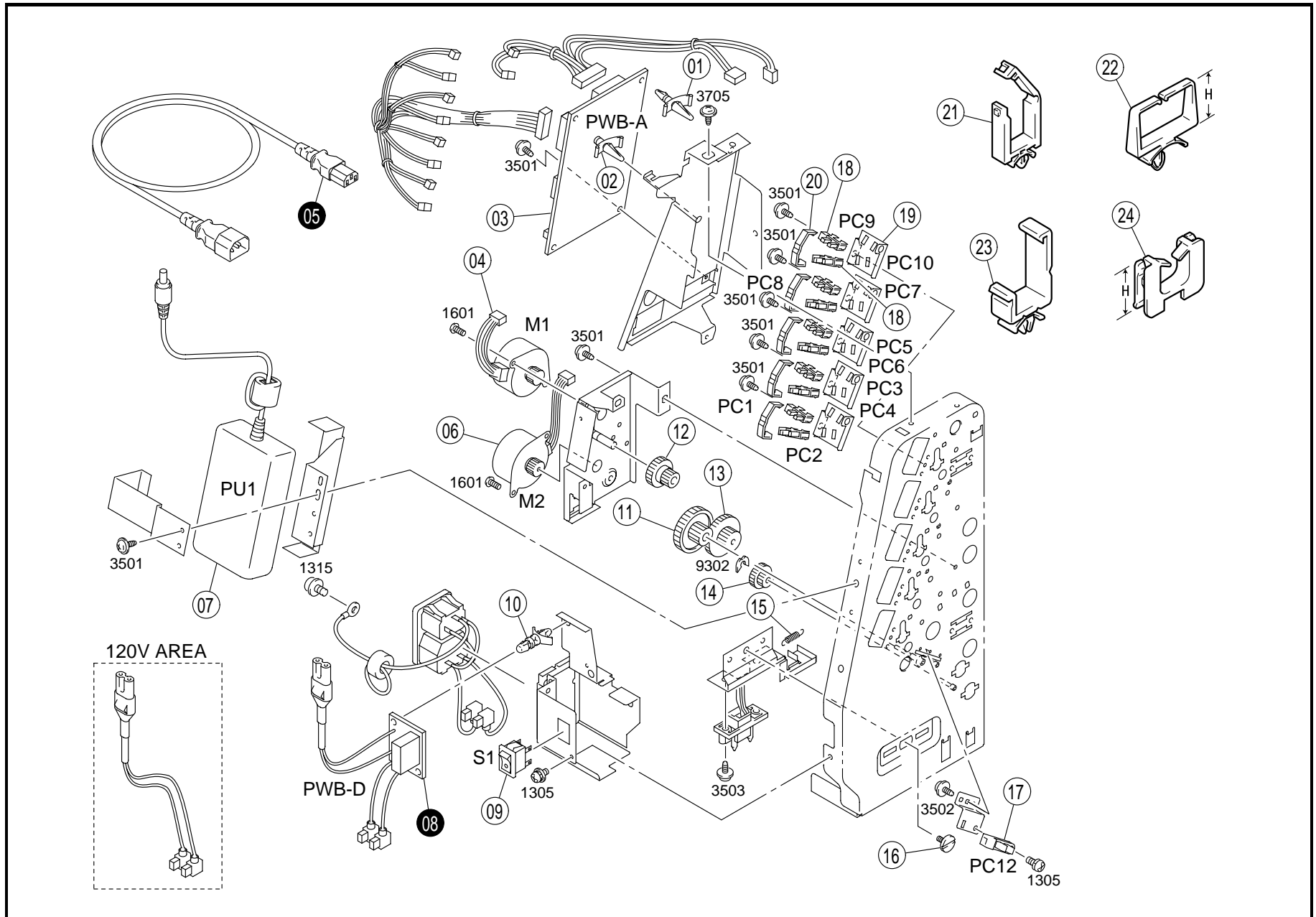
INDEX	PART NO.	PART NAME	REC	QTY	INDEX	PART NO.	PART NAME	REC	QTY
01	4144-1403-02	TOP COVER		1					
02	4144-4404-02	DETECTING PLATE		5					
03	4144-4403-03	DETECTING PLATE		5					
04	4144-4401-02	TRAY		5					
05	4144-1402-01	REAR COVER		1					
06	4144-7314-01	LABEL		1					
07	4144-4405-01	POSITIONING PLATE		1					
08	4144-4402-01	TRAY		5					
09	4144-7301-01	LABEL		1					
10	4144-1401-01	FRONT COVER		1					
11	4144-1405-01	COVER		1					
12	4144-2101-01	SCREW		2					
13	4144-1404-02	DOOR		1					

INDEX	PART NO.	PART NAME	REC	QTY	SFIX



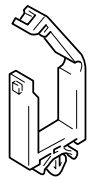
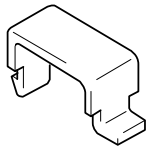
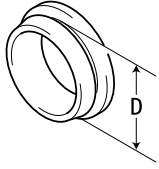
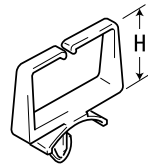
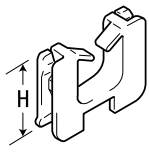

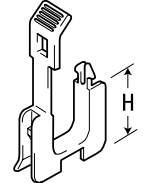
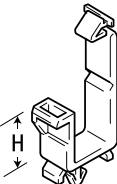
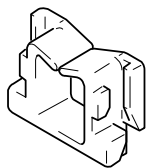
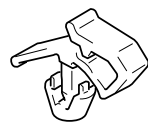
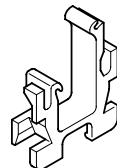
INDEX	PART NO.	PART NAME	REC	QTY	INDEX	PART NO.	PART NAME	REC	QTY
01	4144-2416-01	GEAR		3	19	4144-3203-01	TORSION SPRING		1
02	4144-3412-01	BUSHING		10	20	4144-7315-01	LABEL		1
03	4144-2415-01	GEAR		5	21	4144-3405-01	GUIDE PLATE		1
04	4144-3206-01	TENSION SPRING		1	22	4144-3404-01	GUIDE		1
05	4144-2403-02	GEAR		1	23	4144-1201-01	TORSION SPRING		1
06	4144-3413-01	BUSHING		1	24	4144-3402-01	GUIDE		1
07	4144-2410-01	GEAR		1	25	4426-6303-01	PHOTO INTERRUPTER (PC11)		1
08	4144-2411-02	CAM		1	26	4470-4024-01	STOPPER		1
09	4144-2201-01	TENSION SPRING		1	27	4491-0102-01	PW BOARD-B (PWB-B)		1
10	4492-3409-01	ROLL		10					
11	4144-3410-01	MEMBER		10					
12	4144-3204-01	SPRING		10					
13	4144-4501-01	NEUTRALIZING BRUSH		5					
14	4144-2112-01	SHOULDER SCREW		2					
15	4144-3101-01	ROLLER		5					
16	4144-0103-01	PWB ASSY (PWB-C)		1					
17	4144-3401-01	GUIDE		1					
18	4144-3301-01	REINFORCE PLATE		1					

INDEX	PART NO.	PART NAME	REC	QTY	SFIX



INDEX	PART NO.	PART NAME	REC	QTY	INDEX	PART NO.	PART NAME	REC	QTY
01	9384-1900-56	PWB SUPPORT 6.35H		1	22	9384-1310-81	WIRING SADDLE 6.4H		5
02	9384-1621-21	PWB SUPPORT 6.4H		1	23	9384-1310-91	WIRING SADDLE 18.5H		2
03	4144-0101-02	PWB ASSY (PWB-A)	RP	1	24	9384-2010-21	EDGE COVER 8.5H		1
04	9314-1910-11	MOTOR (M1)		1					
06	9314-1910-21	MOTOR (M2)		1					
07	4144-6051-01	UNIT PARTS (PU1)		1					
09	9332-5910-11	SEESAW-SWITCH (S1)		1					
11	4492-2407-01	GEAR 14/70T		1					
12	4491-2403-01	GEAR 18/29T		1					
13	4144-2404-01	GEAR		1					
14	4144-2406-01	GEAR		1					
15	4144-3205-01	TENSION SPRING		1					
16	4144-2107-01	SHOULDER SCREW		1					
17	9335-1310-41	PHOTO INTERRUPTER (PC12)		1					
18	9335-1510-11	PHOTO INTERRUPTER (PC1-10)		10					
19	4144-2319-02	BRACKET		5					
20	4144-4406-01	MEMBER		5					
21	9384-1310-11	WIRING SADDLE 5.2H		4					

INDEX	PART NO.	PART NAME	REC	QTY	SFIX
05	4144-6751-01	POWER CORD		1	801
05	4144-6753-01	POWER CORD		1	802
05	4144-6755-01	POWER CORD		1	804
08	4144-0102-01	PWB ASSY		1	801
08	4144-0104-01	PWB ASSY		1	804
10	9384-1900-57	PWB SUPPORT 9.53H		2	801, 804

<p>01</p> 	<p>07</p> 	<p>12</p> 					
<p>02</p> 	<p>08</p> 						
<p>03, 04</p> 	<p>09</p> 						
<p>05</p> 	<p>10</p> 						
<p>06</p> 	<p>11</p> 						

INDEX	PART NO.	PART NAME	REC	QTY	INDEX	PART NO.	PART NAME	REC	QTY
01	9384-1310-11	WIRING SADDLE 5.2H		1					
02	9384-1310-81	WIRING SADDLE 6.4H		25					
03	9384-1310-91	WIRING SADDLE 18.5H		3					
04	9384-1311-01	WIRING SADDLE 27H		18					
05	9384-1921-31	WIRING SADDLE 17.3H		2					
06	4142-3801-01	CORD CLAMP		5					
07	1065-5872-01	CORD CLAMP		1					
08	9384-2010-21	EDGE COVER 8.5H		6					
09	9384-2010-31	EDGE COVER 15.4H		6					
10	4142-3802-01	EDGE COVER		4					
11	9384-2710-42	EDGE COVER		4					
12	0722-4913-01	COLLAR 20D		1					

INDEX	PART NO.	PART NAME	REC	QTY	SFIX