

KONICA MINOLTA

# *PARTS GUIDE MANUAL*

---

OCTOBER 2008

*magicolor 1600W/magicolor  
1650EN  
A034001*



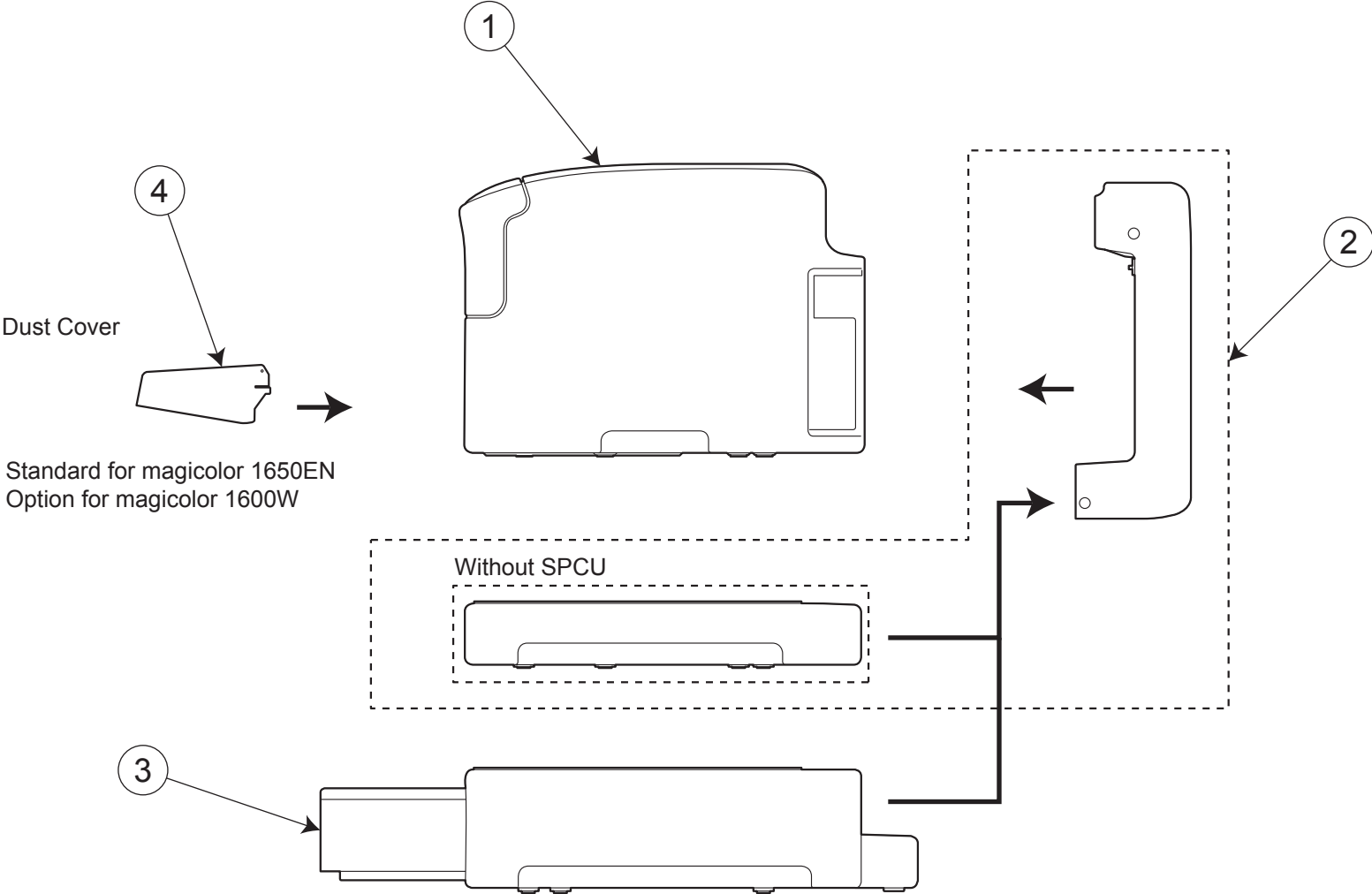
## INFORMATION FOR PARTS GUIDE MANUAL

To find correct Parts No., refer to the "HOW TO MAKE THE BEST USE OF THIS MANUAL" in the following page.

### HOW TO MAKE THE BEST USE OF THIS MANUAL

- 1 When you order, please check the proper figures beforehand that are on Our Parts Guide Manual, and order with the appropriate figures.
- 2 For screws, Nuts, Washers, retaining rings and Pins which are used in this model, one letter is shown on the Standard parts column of Parts list and exploded diagrams.
- 3 In order to maintain safety of the product, some specific parts composed of this product are set up as "essential safety parts".
- 4 The assigned parts number for the "essential safety parts" is indicated as "SP00-\*\*\*\*".  
When replacing these parts, follow precautions for disassembling and installing which are listed in the Service Manual.  
Do not use any parts that are not set up as
- 5 ♣ means that there are exclusive parts for each destination.  
Please check the appropriate destination when you order.
- 6 Revision Mark  
Marked as ▲ on the illustration shows that the revision has been made.
- 7 All rights reserved. (any reprints or quotations are prohibited.)  
Use of this parts guide manual should be strictly supervised to avoid disclosure of confidential information.

# SYSTEM OUTLINE



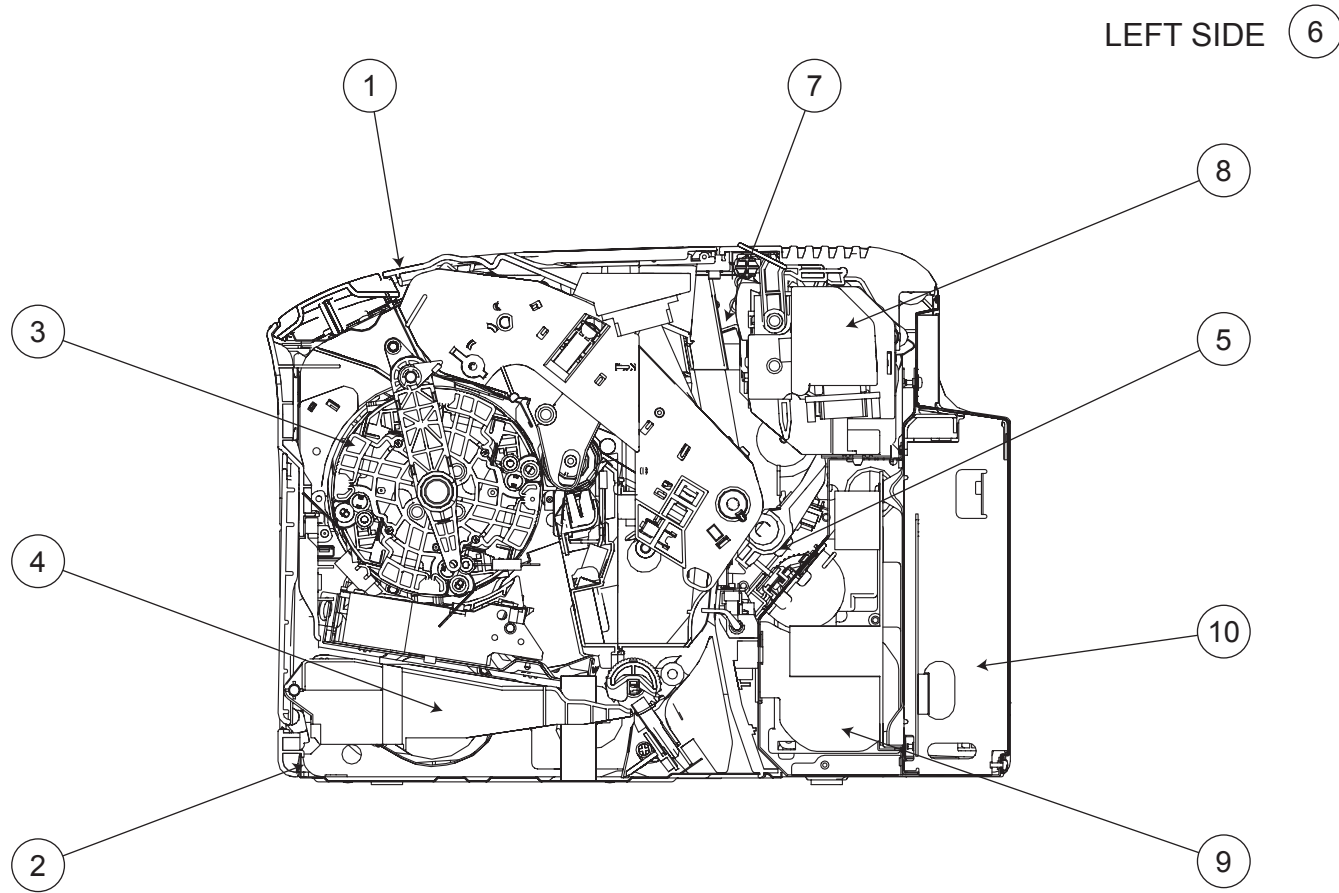
# GENERAL CONTENTS

| <b>No.</b> | <b>Description</b> | <b>Model</b>                     |
|------------|--------------------|----------------------------------|
| 1          | PRINTER COLOR      | magicolor 1600W/magicolor 1650EN |
| 2          | DUPLEX             | Duplex Option                    |
| 3          | PAPER FEEDER       | Lower Feeder Unit                |
| 4          | DUST COVER         | Dust Cover                       |

**NOTE:** Parts not listed with a part number are not available as spare part.

magicolor 1600W/magicolor 1650EN

# DIAGRAM OF MAIN PARTS SECTION



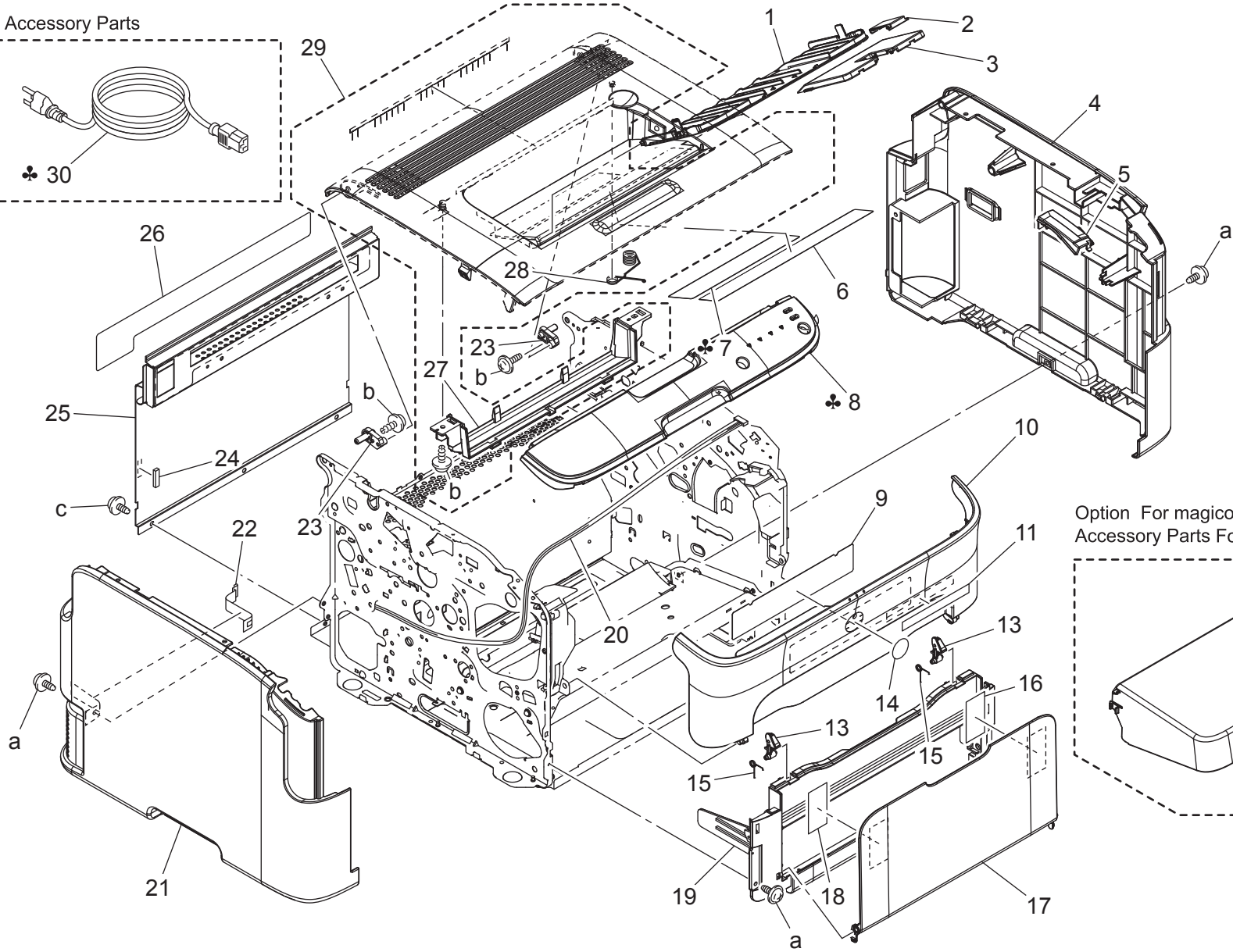
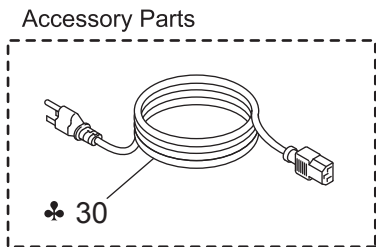
# CONTENTS

| No. | DESCRIPTION                 | PAGE No. |
|-----|-----------------------------|----------|
| 1   | EXTERNAL PARTS              | P1       |
| 2   | MAIN FRAME SECTION          | P2       |
| 3   | RACK/RACK DRIVE SECTION     | P3 P4    |
| 4   | PAPER TAKE-UP SECTION       | P5       |
| 5   | TRANSFER SECTION            | P6 P7    |
| 6   | DRIVE SECTION               | P8 P9    |
| 7   | RIGHT GUIDE SECTION         | P10      |
| 8   | FUSING SECTION              | P11      |
| 9   | COOLING SECTION             | P12      |
| 10  | ELECTRICAL COMPONENTS       | P13      |
| 11  | WIRING ACCESSORIES AND JIGS | P14      |

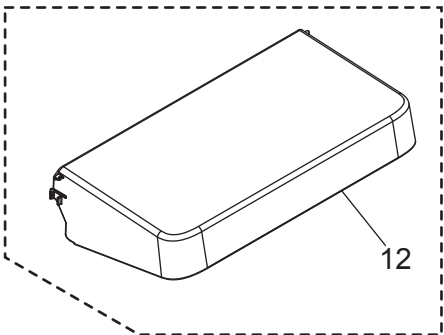
**NOTE: Parts not listed with a part number are not available as spare part.**

magicolor 1600W/magicolor 1650EN

EXTERNAL PARTS



Option For magicolor 1600W  
Accessory Parts For magicolor 1650EN



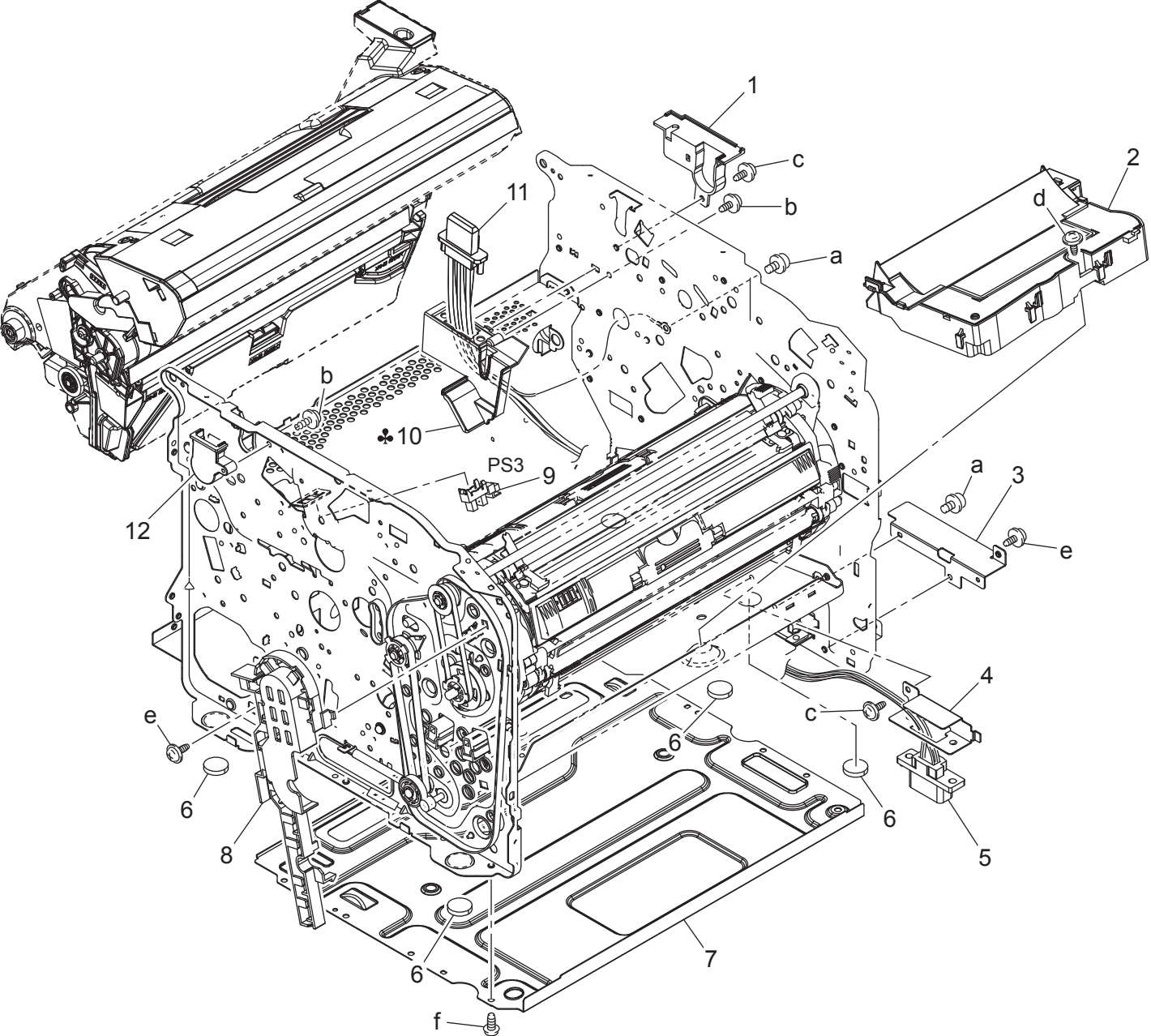


EXTERNAL PARTS

| Key | Part No.   | Description                     | Destinations | Class | QTY | Standard parts |
|-----|------------|---------------------------------|--------------|-------|-----|----------------|
| 1   | A034160702 | Tray MC1600W 1650               |              |       |     | a              |
| 2   | A034162400 | Tray MC1600W 1650               |              |       |     |                |
| 3   | A034160601 | Tray MC1600W 1650               |              |       |     |                |
| 8   | A034R71800 | Operation Panel(SFP-P) MC1650EN |              |       |     |                |
| 8   | A034R71900 | Operation Panel(SFP-RL) MC1600W |              |       |     |                |
| 12  | A034162201 | Dust Cover MC16X0               |              |       |     |                |
| 17  | A034560601 | Tray (Output Tray) MC16X0       |              |       |     |                |
|     |            |                                 |              |       |     |                |
|     |            |                                 |              |       |     |                |
|     |            |                                 |              |       |     |                |
|     |            |                                 |              |       |     |                |
|     |            |                                 |              |       |     |                |
|     |            |                                 |              |       |     |                |
|     |            |                                 |              |       |     |                |
|     |            |                                 |              |       |     |                |
|     |            |                                 |              |       |     |                |
|     |            |                                 |              |       |     |                |
|     |            |                                 |              |       |     |                |

NOTE: Parts not listed with a part number are not available as spare part.

MAIN FRAME SECTION

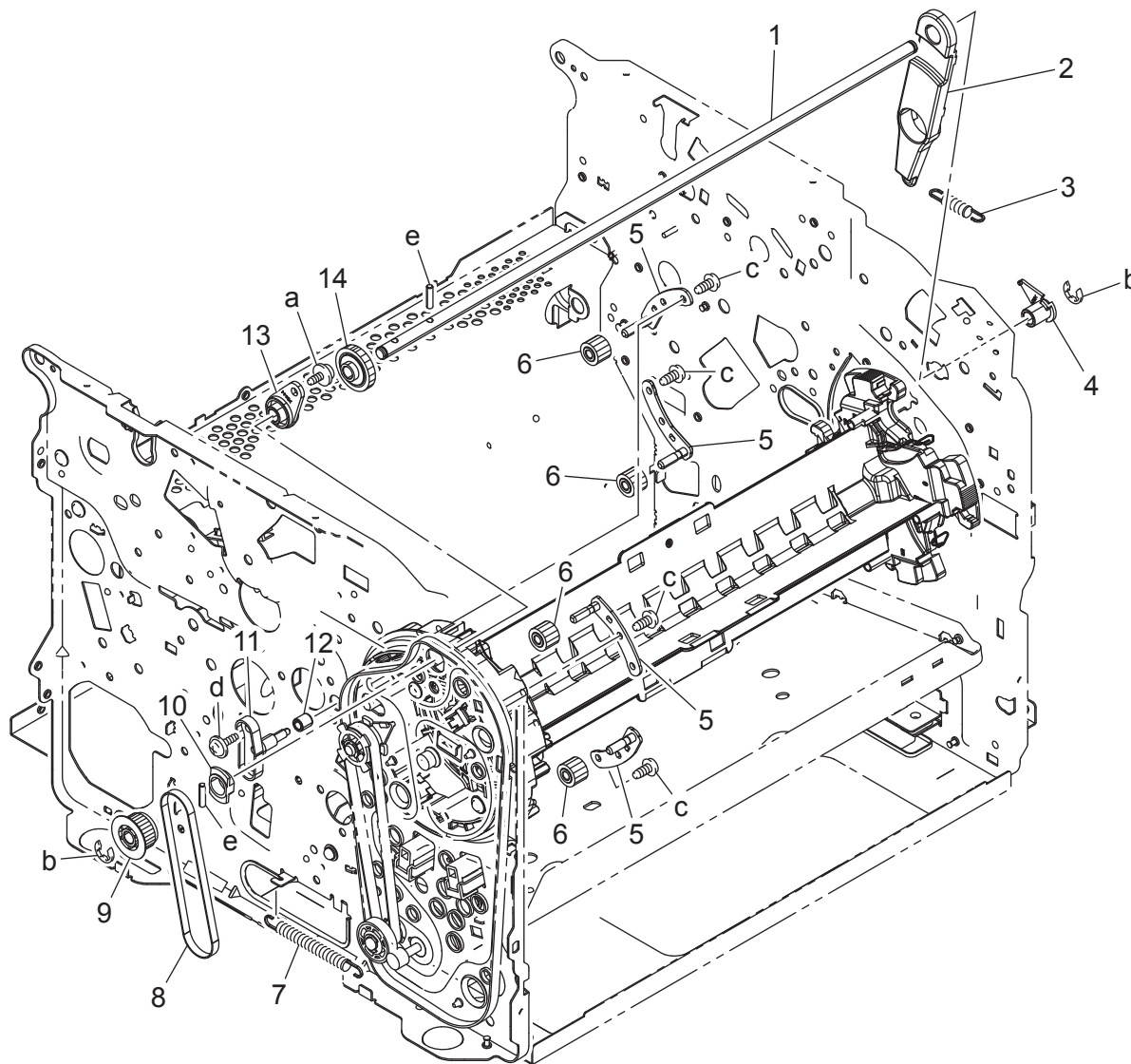


**MAIN FRAME SECTION**

| Key | Part No.   | Description            | Destinations | Class | QTY | Standard parts |
|-----|------------|------------------------|--------------|-------|-----|----------------|
| 2   | A034R70700 | Print Head Assy MC16X0 |              |       |     |                |
| 9   | 9335130061 | PHOTO INTERRUPTER      |              |       |     |                |
|     |            |                        |              |       |     |                |
|     |            |                        |              |       |     |                |
|     |            |                        |              |       |     |                |
|     |            |                        |              |       |     |                |
|     |            |                        |              |       |     |                |
|     |            |                        |              |       |     |                |
|     |            |                        |              |       |     |                |
|     |            |                        |              |       |     |                |
|     |            |                        |              |       |     |                |
|     |            |                        |              |       |     |                |
|     |            |                        |              |       |     |                |

**NOTE: Parts not listed with a part number are not available as spare part.**

# RACK/RACK DRIVE SECTION

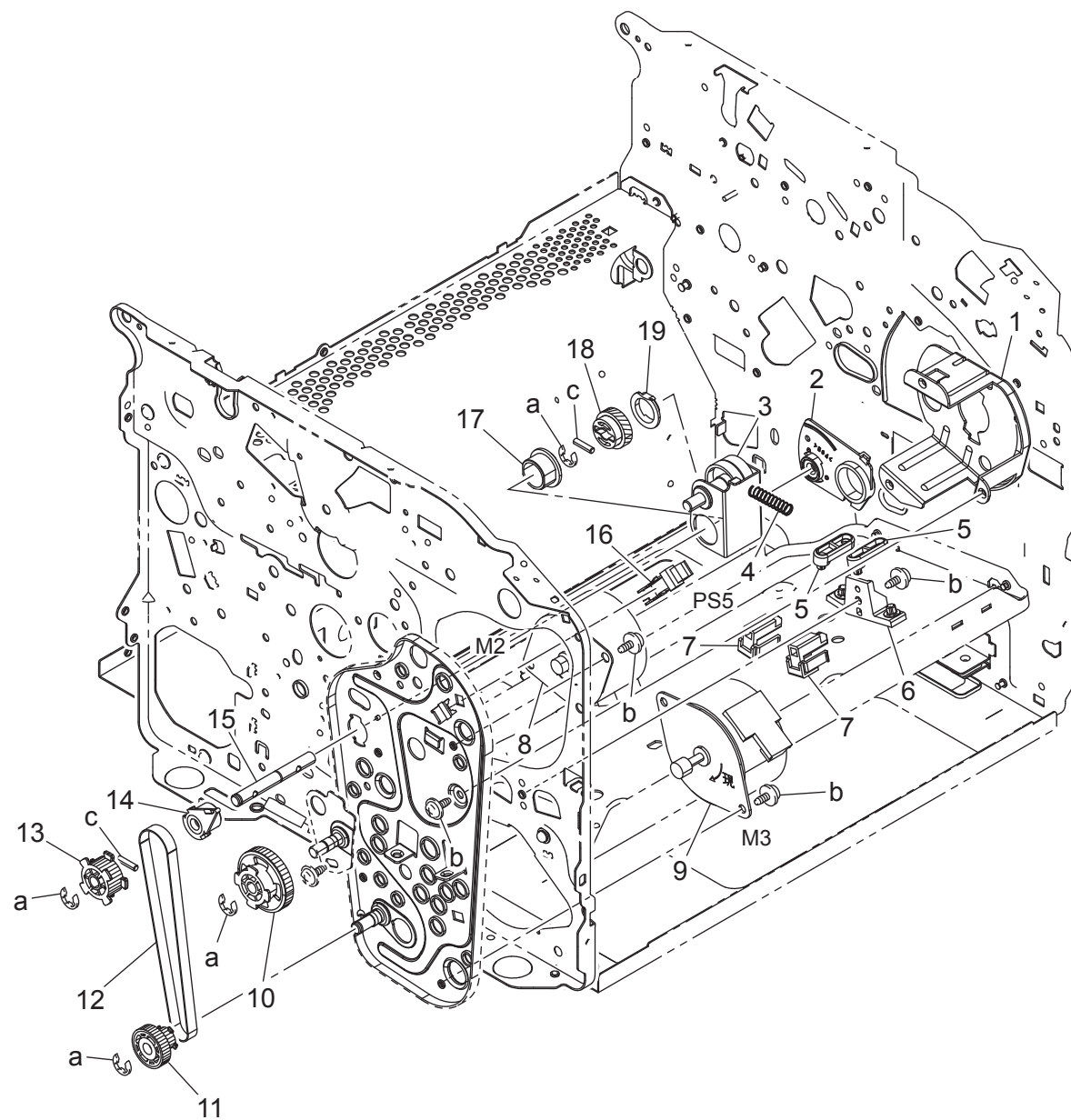


RACK/RACK DRIVE SECTION

| Key | Part No. | Description | Destinations | Class | QTY | Standard parts |
|-----|----------|-------------|--------------|-------|-----|----------------|
|     |          |             |              |       |     |                |
|     |          |             |              |       |     |                |
|     |          |             |              |       |     |                |
|     |          |             |              |       |     |                |
|     |          |             |              |       |     |                |
|     |          |             |              |       |     |                |
|     |          |             |              |       |     |                |
|     |          |             |              |       |     |                |
|     |          |             |              |       |     |                |
|     |          |             |              |       |     |                |
|     |          |             |              |       |     |                |
|     |          |             |              |       |     |                |
|     |          |             |              |       |     |                |
|     |          |             |              |       |     |                |
|     |          |             |              |       |     |                |
|     |          |             |              |       |     |                |
|     |          |             |              |       |     |                |
|     |          |             |              |       |     |                |
|     |          |             |              |       |     |                |
|     |          |             |              |       |     |                |
|     |          |             |              |       |     |                |
|     |          |             |              |       |     |                |
|     |          |             |              |       |     |                |
|     |          |             |              |       |     |                |

**NOTE: Parts not listed with a part number are not available as spare part.**

# RACK/RACK DRIVE SECTION

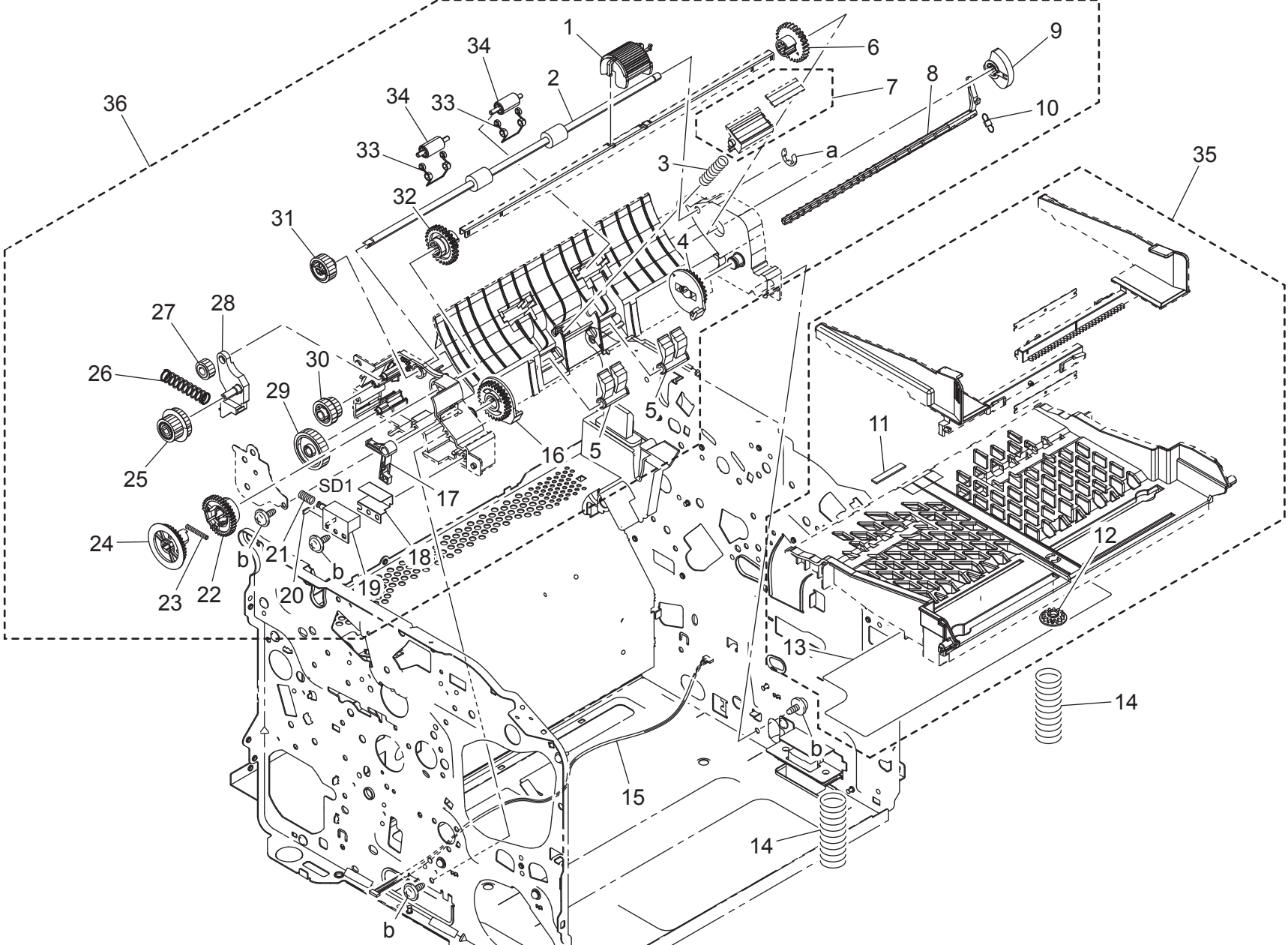


# RACK/RACK DRIVE SECTION

| Key | Part No.   | Description       | Destinations | Class | QTY | Standard parts |
|-----|------------|-------------------|--------------|-------|-----|----------------|
| 16  | 9335130061 | PHOTO INTERRUPTER |              |       |     |                |
|     |            |                   |              |       |     |                |
|     |            |                   |              |       |     |                |
|     |            |                   |              |       |     |                |
|     |            |                   |              |       |     |                |
|     |            |                   |              |       |     |                |
|     |            |                   |              |       |     |                |
|     |            |                   |              |       |     |                |
|     |            |                   |              |       |     |                |
|     |            |                   |              |       |     |                |
|     |            |                   |              |       |     |                |
|     |            |                   |              |       |     |                |
|     |            |                   |              |       |     |                |
|     |            |                   |              |       |     |                |

***NOTE:** Parts not listed with a part number are not available as spare part.*

PAPER TAKE-UP SECTION



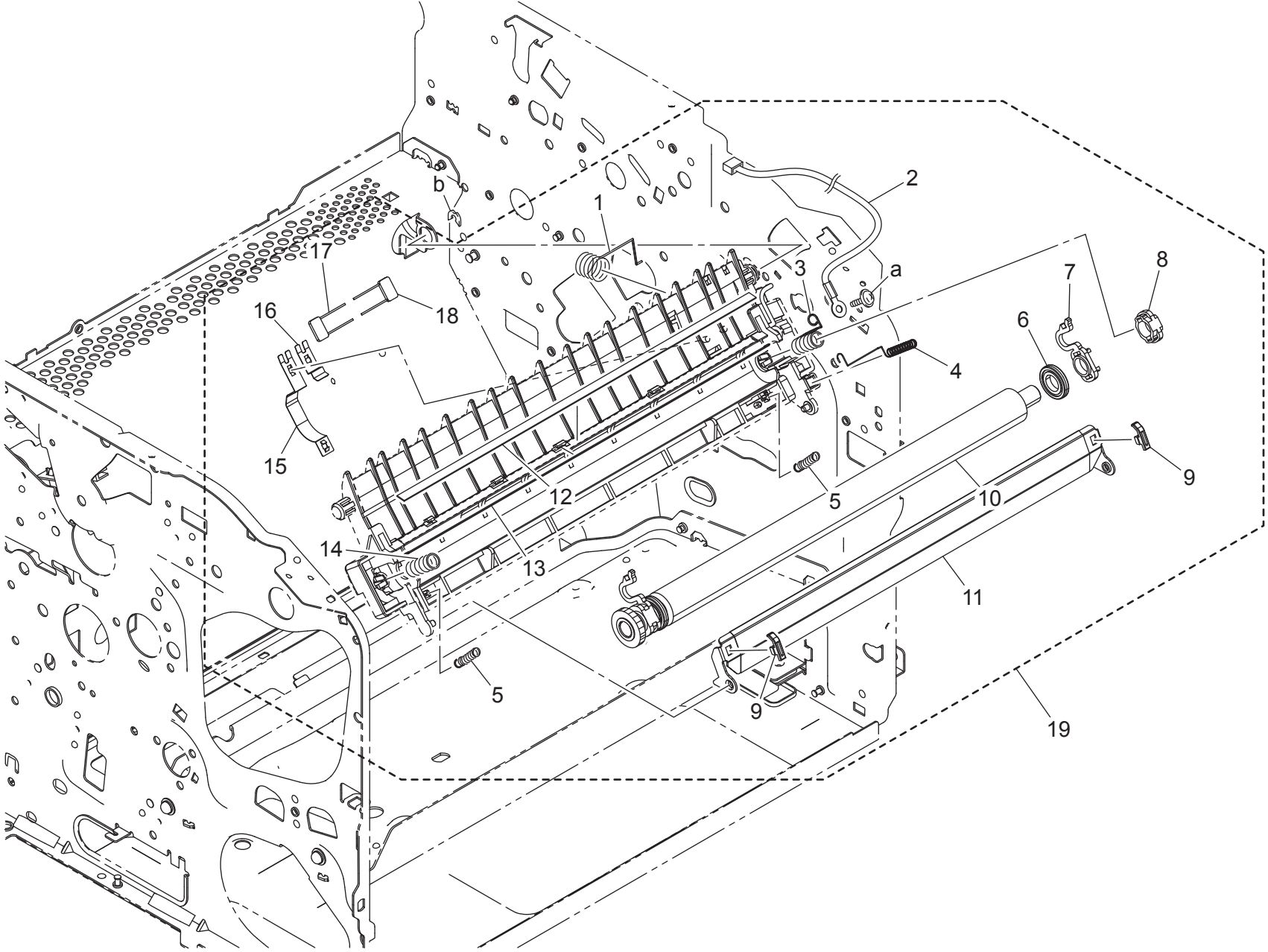


PAPER TAKE-UP SECTION

| Key | Part No.   | Description                          | Destinations | Class | QTY | Standard parts |
|-----|------------|--------------------------------------|--------------|-------|-----|----------------|
| 1   | 4139306201 | PICK UP ROLLER, MC24x0/25x0/2590/C10 |              |       |     |                |
| 35  | A034R70200 | Lifting Plate Assy MC16X0            |              |       |     |                |
| 36  | A034R70100 | Paper Feed Assy MC16X0               |              |       |     |                |
|     |            |                                      |              |       |     |                |
|     |            |                                      |              |       |     |                |
|     |            |                                      |              |       |     |                |
|     |            |                                      |              |       |     |                |
|     |            |                                      |              |       |     |                |
|     |            |                                      |              |       |     |                |
|     |            |                                      |              |       |     |                |
|     |            |                                      |              |       |     |                |
|     |            |                                      |              |       |     |                |
|     |            |                                      |              |       |     |                |

**NOTE: Parts not listed with a part number are not available as spare part.**

TRANSFER SECTION

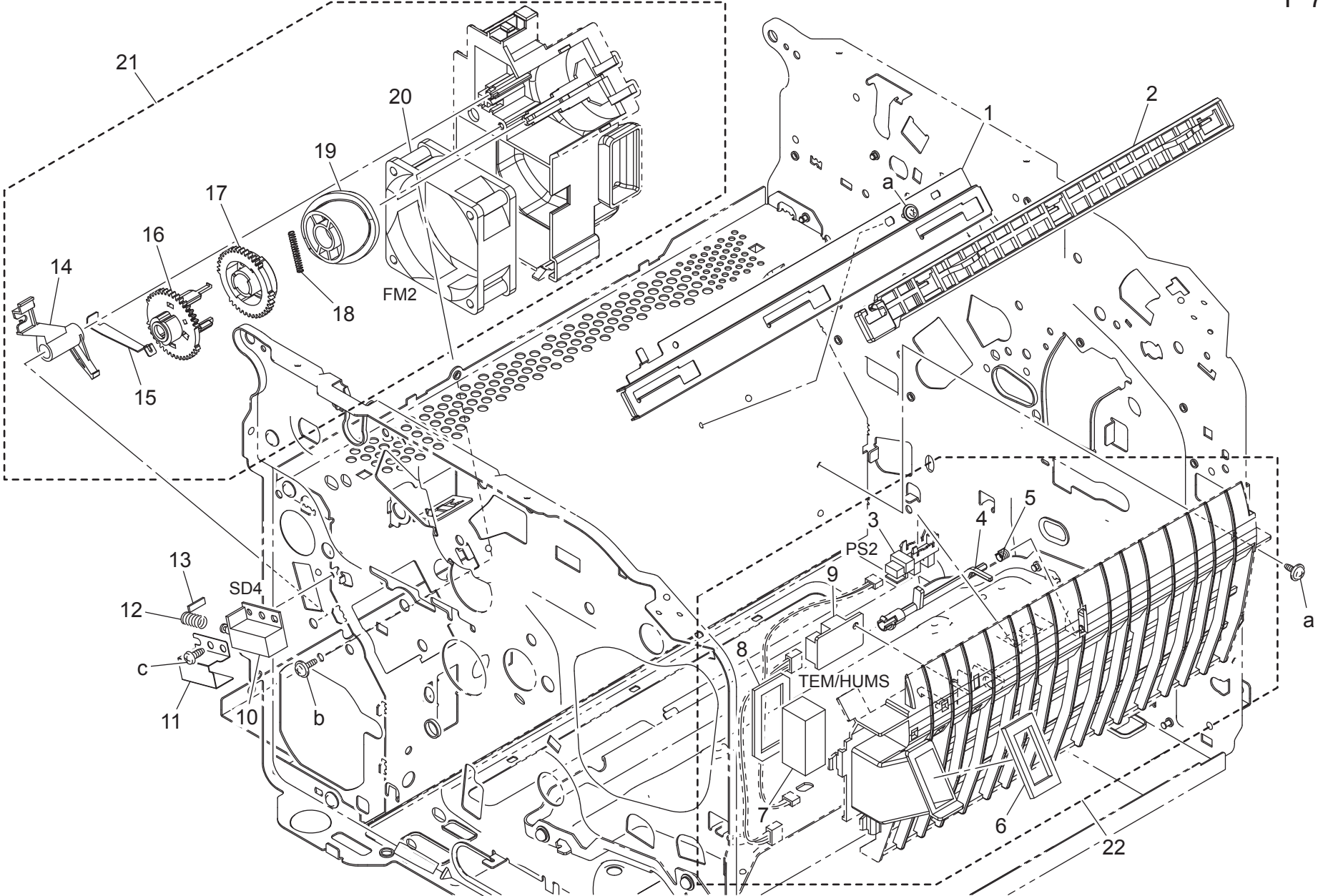


TRANSFER SECTION

| Key | Part No.   | Description              | Destinations | Class | QTY | Standard parts |
|-----|------------|--------------------------|--------------|-------|-----|----------------|
| 10  | A034R71111 | Transfer Roller MC16X0   |              |       |     |                |
| 19  | A034R70000 | 2nd Transfer Assy MC16X0 |              |       |     |                |
|     |            |                          |              |       |     |                |
|     |            |                          |              |       |     |                |
|     |            |                          |              |       |     |                |
|     |            |                          |              |       |     |                |
|     |            |                          |              |       |     |                |
|     |            |                          |              |       |     |                |
|     |            |                          |              |       |     |                |
|     |            |                          |              |       |     |                |
|     |            |                          |              |       |     |                |
|     |            |                          |              |       |     |                |
|     |            |                          |              |       |     |                |

**NOTE: Parts not listed with a part number are not available as spare part.**

TRANSFER SECTION

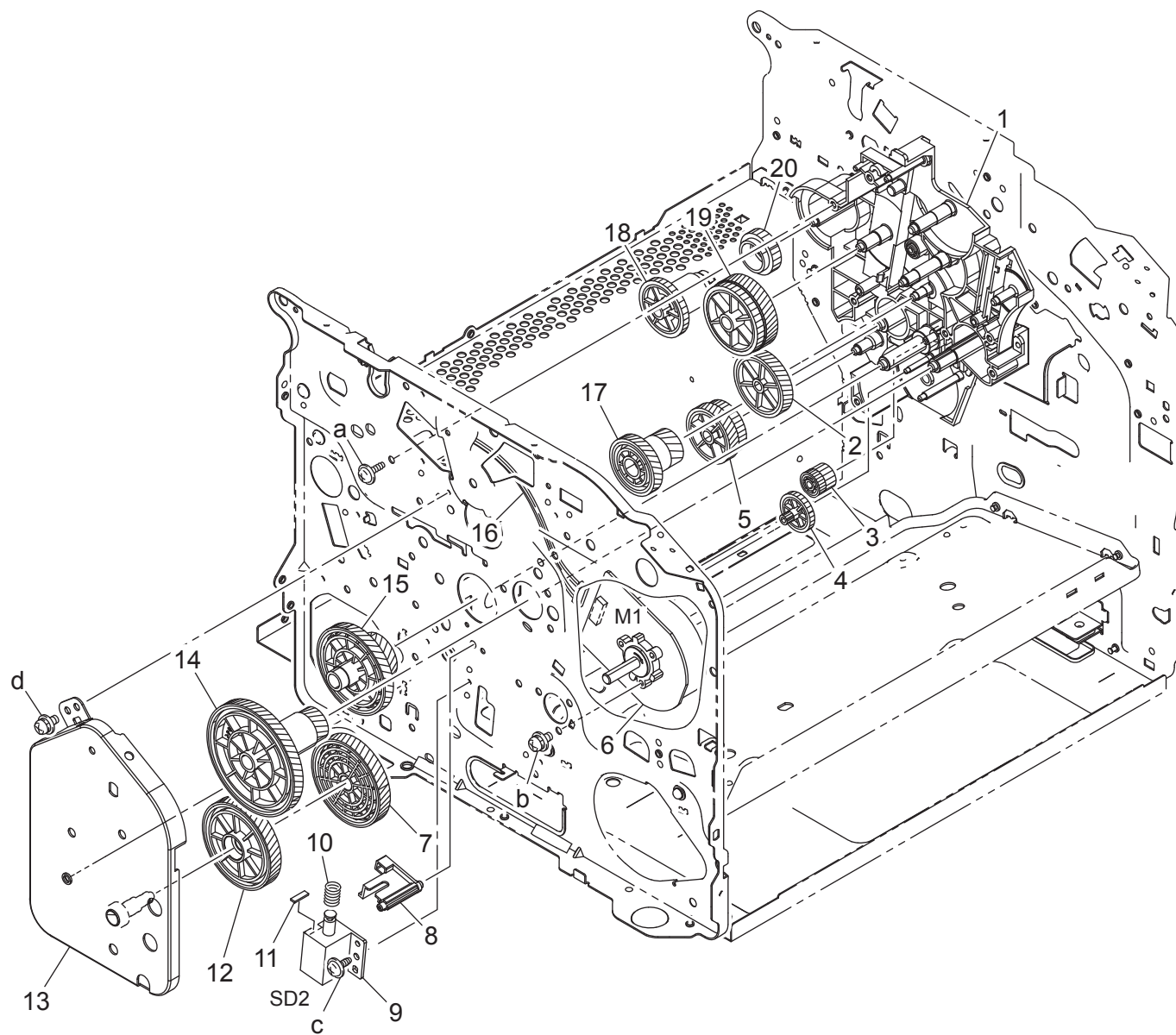


TRANSFER SECTION

| Key | Part No.   | Description           | Destinations | Class | QTY | Standard parts |
|-----|------------|-----------------------|--------------|-------|-----|----------------|
| 3   | 9335130061 | PHOTO INTERRUPTER     |              |       |     |                |
| 20  | 4556M10000 | FAN MOTOR MC469X, C20 |              |       |     |                |
| 21  | A034R71000 | Guide Assy MC16X0     |              |       |     |                |
| 22  | A034R70800 | Guide Assy MC16X0     |              |       |     |                |
|     |            |                       |              |       |     |                |
|     |            |                       |              |       |     |                |
|     |            |                       |              |       |     |                |
|     |            |                       |              |       |     |                |
|     |            |                       |              |       |     |                |
|     |            |                       |              |       |     |                |
|     |            |                       |              |       |     |                |
|     |            |                       |              |       |     |                |
|     |            |                       |              |       |     |                |

**NOTE: Parts not listed with a part number are not available as spare part.**

# DRIVE SECTION

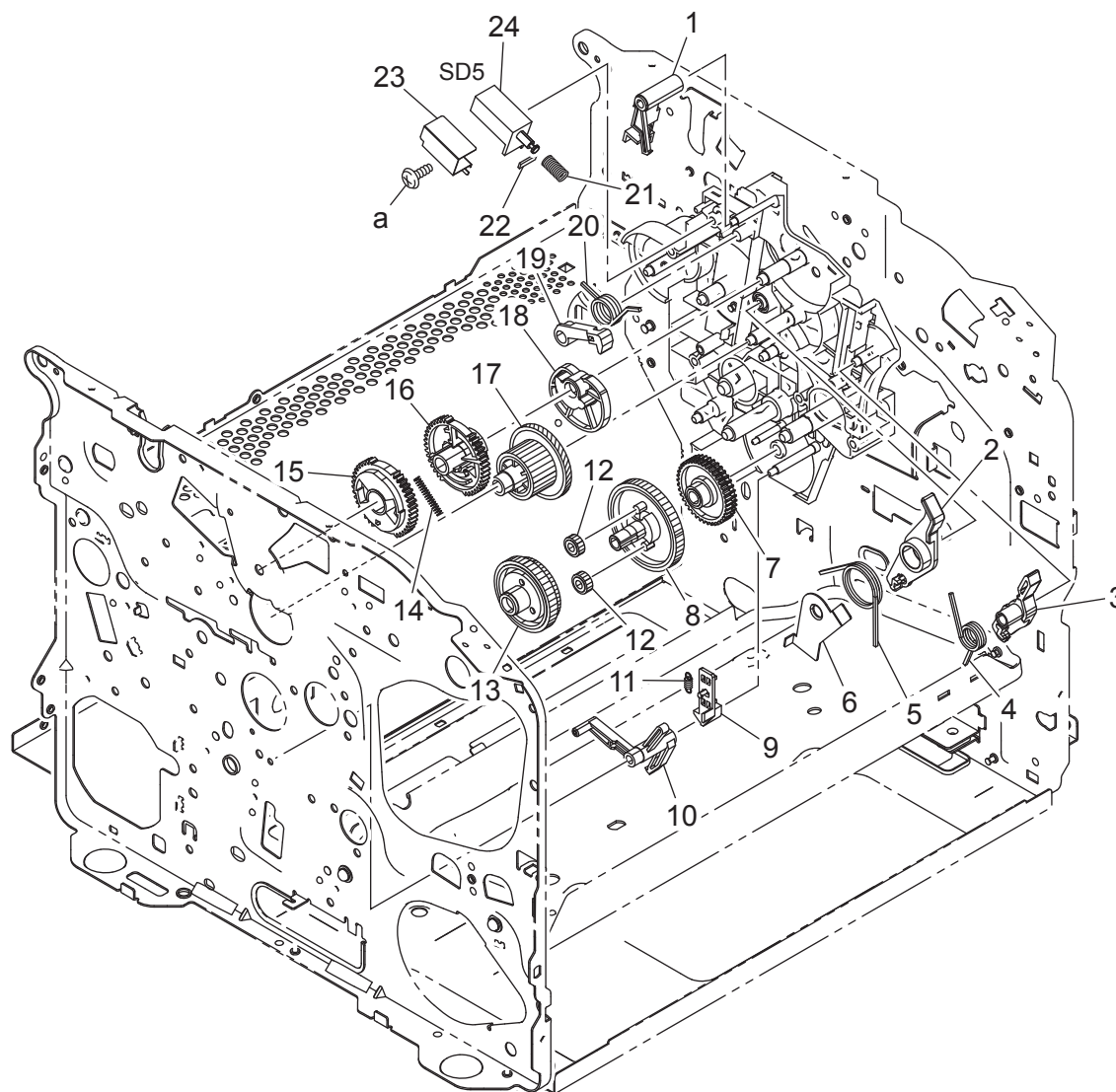


DRIVE SECTION

| Key | Part No. | Description | Destinations | Class | QTY | Standard parts |
|-----|----------|-------------|--------------|-------|-----|----------------|
|     |          |             |              |       |     |                |
|     |          |             |              |       |     |                |
|     |          |             |              |       |     |                |
|     |          |             |              |       |     |                |
|     |          |             |              |       |     |                |
|     |          |             |              |       |     |                |
|     |          |             |              |       |     |                |
|     |          |             |              |       |     |                |
|     |          |             |              |       |     |                |
|     |          |             |              |       |     |                |
|     |          |             |              |       |     |                |
|     |          |             |              |       |     |                |
|     |          |             |              |       |     |                |

**NOTE: Parts not listed with a part number are not available as spare part.**

# DRIVE SECTION



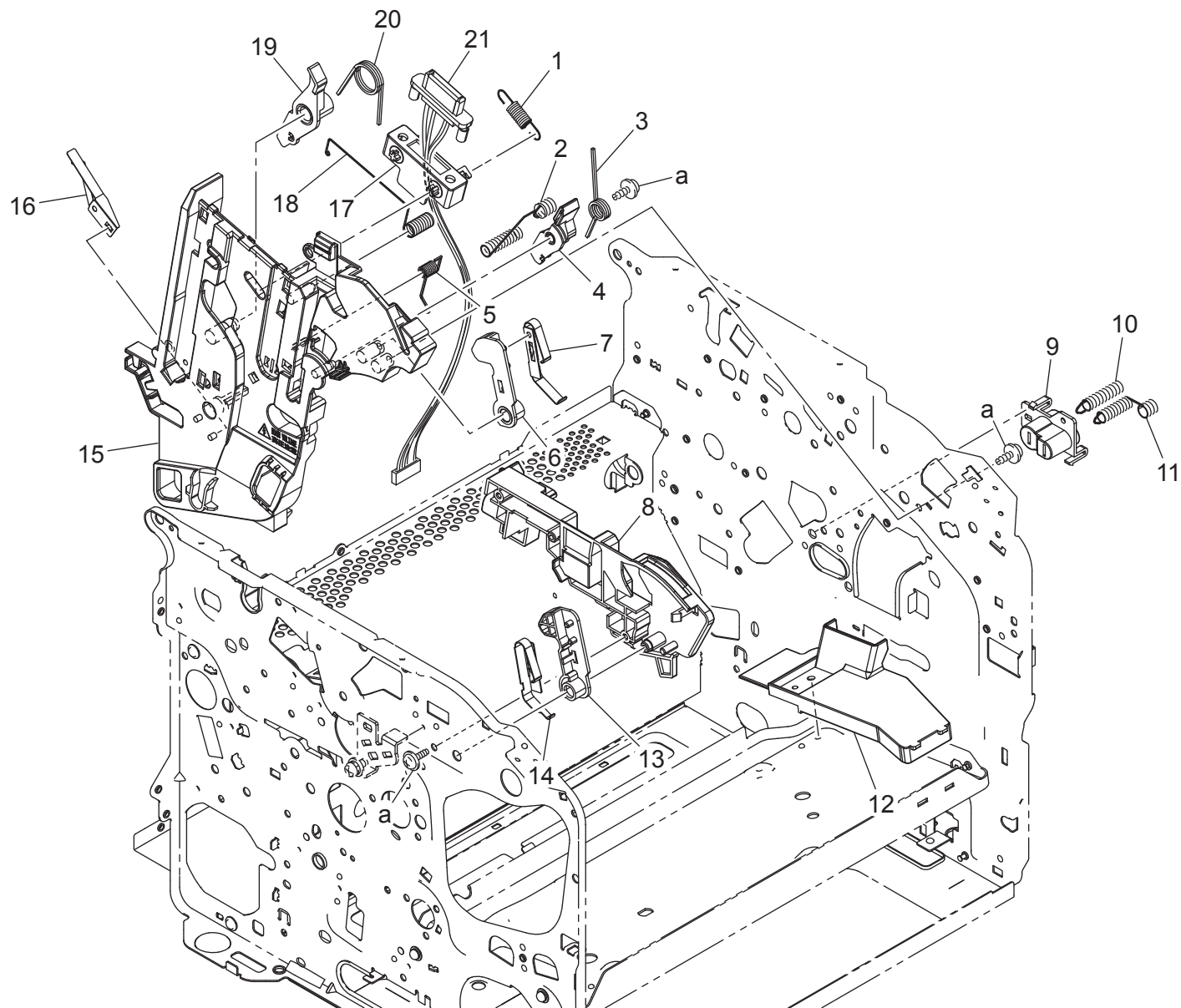


DRIVE SECTION

| Key | Part No. | Description | Destinations | Class | QTY | Standard parts |
|-----|----------|-------------|--------------|-------|-----|----------------|
|     |          |             |              |       |     |                |
|     |          |             |              |       |     |                |
|     |          |             |              |       |     |                |
|     |          |             |              |       |     |                |
|     |          |             |              |       |     |                |
|     |          |             |              |       |     |                |
|     |          |             |              |       |     |                |
|     |          |             |              |       |     |                |
|     |          |             |              |       |     |                |
|     |          |             |              |       |     |                |
|     |          |             |              |       |     |                |
|     |          |             |              |       |     |                |
|     |          |             |              |       |     |                |
|     |          |             |              |       |     |                |
|     |          |             |              |       |     |                |
|     |          |             |              |       |     |                |
|     |          |             |              |       |     |                |
|     |          |             |              |       |     |                |
|     |          |             |              |       |     |                |
|     |          |             |              |       |     |                |
|     |          |             |              |       |     |                |
|     |          |             |              |       |     |                |
|     |          |             |              |       |     |                |

**NOTE: Parts not listed with a part number are not available as spare part.**

RIGHT GUIDE SECTION



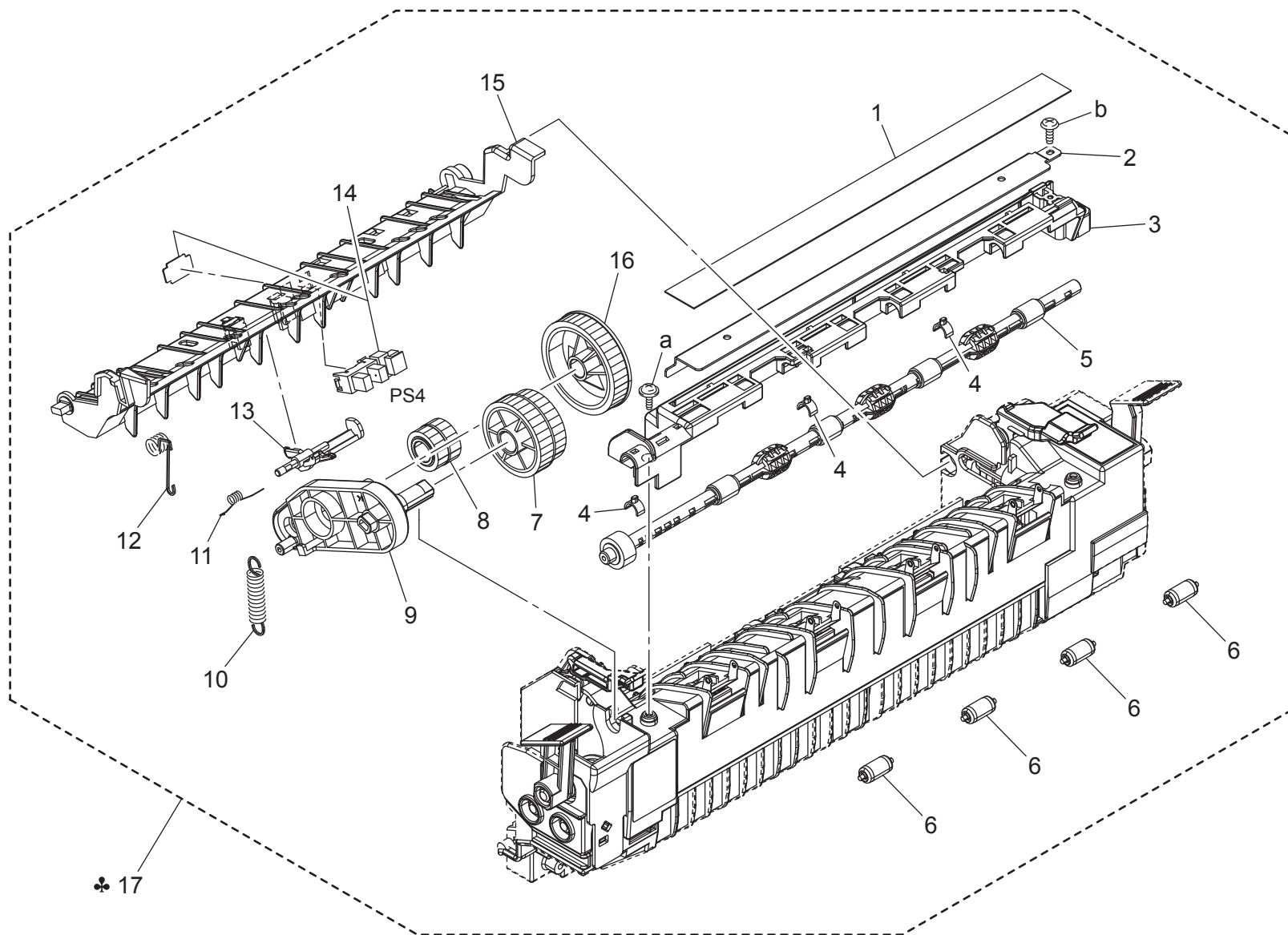
RIGHT GUIDE SECTION

| Key | Part No. | Description | Destinations | Class | QTY | Standard parts |
|-----|----------|-------------|--------------|-------|-----|----------------|
|     |          |             |              |       |     |                |
|     |          |             |              |       |     |                |
|     |          |             |              |       |     |                |
|     |          |             |              |       |     |                |
|     |          |             |              |       |     |                |
|     |          |             |              |       |     |                |
|     |          |             |              |       |     |                |
|     |          |             |              |       |     |                |
|     |          |             |              |       |     |                |
|     |          |             |              |       |     |                |
|     |          |             |              |       |     |                |
|     |          |             |              |       |     |                |
|     |          |             |              |       |     |                |
|     |          |             |              |       |     |                |
|     |          |             |              |       |     |                |

**NOTE: Parts not listed with a part number are not available as spare part.**

magicolor 1600W/magicolor 1650EN

# FUSING SECTION

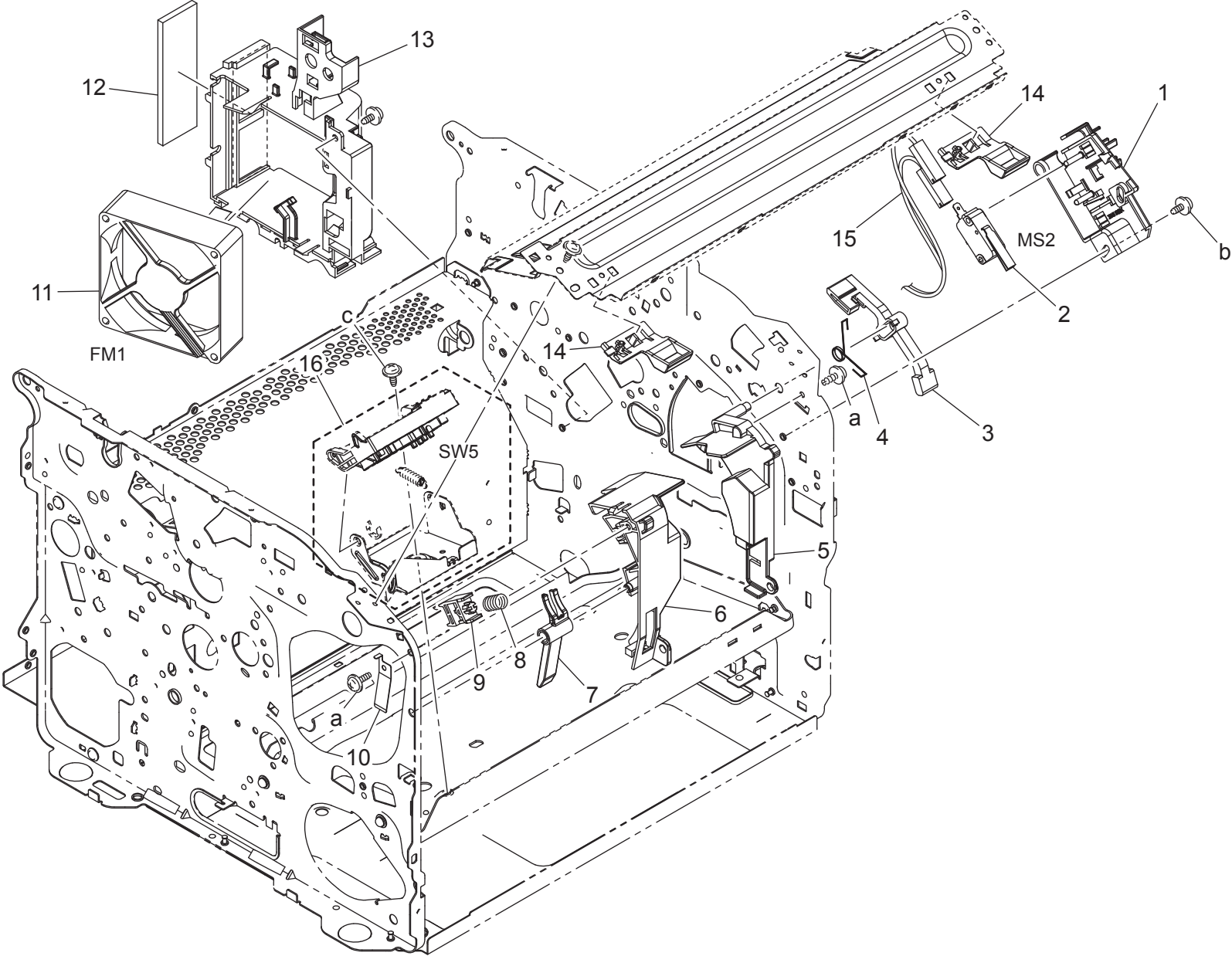


FUSING SECTION

| Key | Part No.   | Description                     | Destinations | Class | QTY | Standard parts |
|-----|------------|---------------------------------|--------------|-------|-----|----------------|
| 14  | A034R90000 | PHOTO INTERRUPTER               |              |       |     |                |
| 17  | A12J021    | Fusing(SFP-230V) MC1600W/1650EN |              |       |     |                |
|     |            |                                 |              |       |     |                |
|     |            |                                 |              |       |     |                |
|     |            |                                 |              |       |     |                |
|     |            |                                 |              |       |     |                |
|     |            |                                 |              |       |     |                |
|     |            |                                 |              |       |     |                |
|     |            |                                 |              |       |     |                |
|     |            |                                 |              |       |     |                |
|     |            |                                 |              |       |     |                |
|     |            |                                 |              |       |     |                |
|     |            |                                 |              |       |     |                |

**NOTE: Parts not listed with a part number are not available as spare part.**

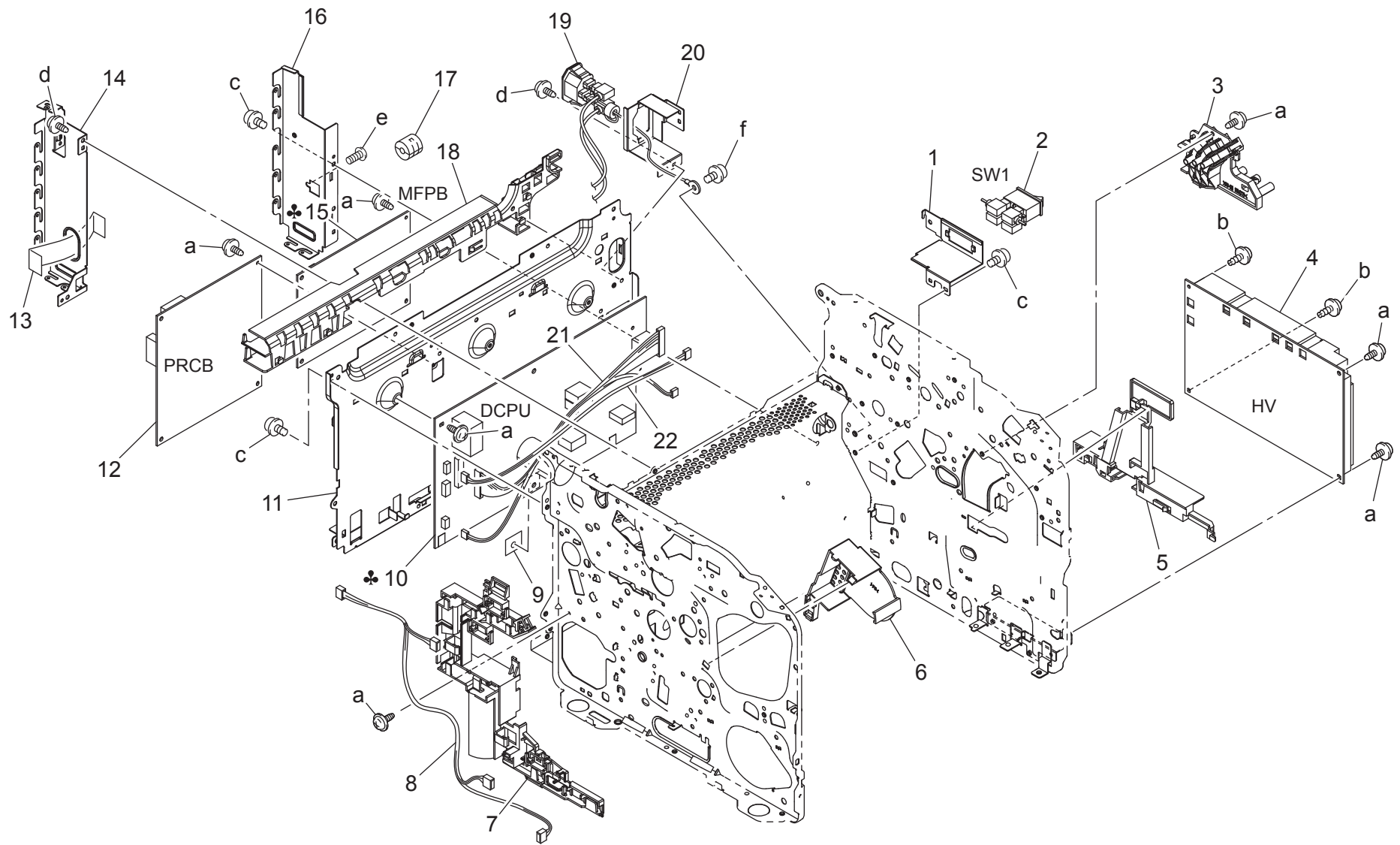
COOLING SECTION



# COOLING SECTION

| Key | Part No.  | Description                              | Destinations | Class | QTY | Standard parts |
|-----|-----------|--|--------------|-------|-----|----------------|
| 11  | 4139M0000 | FAN MOTOR FM2 MC2490/2500W/2530/2590/C10 |              |       |     |                |
|     |           |  |              |       |     |                |
|     |           |  |              |       |     |                |
|     |           |  |              |       |     |                |
|     |           |  |              |       |     |                |
|     |           |  |              |       |     |                |
|     |           |  |              |       |     |                |
|     |           |  |              |       |     |                |
|     |           |  |              |       |     |                |
|     |           |  |              |       |     |                |
|     |           |  |              |       |     |                |
|     |           |  |              |       |     |                |
|     |           |  |              |       |     |                |
|     |           |  |              |       |     |                |
|     |           |  |              |       |     |                |
|     |           |  |              |       |     |                |

**NOTE: Parts not listed with a part number are not available as spare part.**





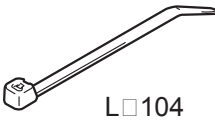
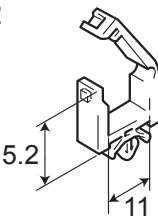
ELECTRICAL COMPONENTS

| Key | Part No.   | Description                              | Destinations | Class | QTY | Standard parts |
|-----|------------|--|--------------|-------|-----|----------------|
| 4   | A034M40401 | High voltage unit MC16X0                 |              |       |     |                |
| 10  | A034M40101 | Power Supply MC1600W                     |              |       |     |                |
| 10  | A034M40301 | Power Supply MC1650EN/1680/90MF          |              |       |     |                |
| 12  | A034H00106 | PWB Assembly(PWB-A Assy) MC 1600W/1650EN |              |       |     |                |
| 15  | A034H12005 | PWB Assembly(PS/PCL) MC1650EN            |              |       |     |                |
| 15  | A034PP0000 | Controller Main Board(RL) MC1600W        |              |       |     |                |
|     |            |  |              |       |     |                |
|     |            |  |              |       |     |                |
|     |            |  |              |       |     |                |
|     |            |  |              |       |     |                |
|     |            |  |              |       |     |                |
|     |            |  |              |       |     |                |
|     |            |  |              |       |     |                |
|     |            |  |              |       |     |                |
|     |            |  |              |       |     |                |

NOTE: Parts not listed with a part number are not available as spare part.

# WIRING ACCESSORIES AND JIGS

P 14

|   |    |    |    |    |    |    |    |
|---|----|----|----|----|----|----|----|
| 1<br><br>L□104     | 6  | 11 | 16 | 21 | 26 | 31 | 36 |
| 2<br><br>5.2<br>11 | 7  | 12 | 17 | 22 | 27 | 32 | 37 |
| 3   | 8  | 13 | 18 | 23 | 28 | 33 | 38 |
| 4   | 9  | 14 | 19 | 24 | 29 | 34 | 39 |
| 5   | 10 | 15 | 20 | 25 | 30 | 35 | 40 |

WIRING ACCESSORIES AND JIGS

| Key | Part No. | Description | Destinations | Class | QTY | Standard parts |
|-----|----------|-------------|--------------|-------|-----|----------------|
|     |          |             |              |       |     |                |
|     |          |             |              |       |     |                |
|     |          |             |              |       |     |                |
|     |          |             |              |       |     |                |
|     |          |             |              |       |     |                |
|     |          |             |              |       |     |                |
|     |          |             |              |       |     |                |
|     |          |             |              |       |     |                |
|     |          |             |              |       |     |                |
|     |          |             |              |       |     |                |
|     |          |             |              |       |     |                |
|     |          |             |              |       |     |                |
|     |          |             |              |       |     |                |
|     |          |             |              |       |     |                |
|     |          |             |              |       |     |                |
|     |          |             |              |       |     |                |
|     |          |             |              |       |     |                |
|     |          |             |              |       |     |                |
|     |          |             |              |       |     |                |
|     |          |             |              |       |     |                |
|     |          |             |              |       |     |                |

**NOTE: Parts not listed with a part number are not available as spare part.**

## DESTINATION

| Destination No. |    | Destinations   |   | V       | Hz    | Model No.           |
|-----------------|----|--|---|---------|-------|---------------------|
| A               | A1 | JAPAN  |   | 100     | 50/60 | A034001/<br>A034002 |
|                 | A2 | JAPAN  |   | 200     | 50/60 |                     |
| B               |    | USA, CANADA  |   | 120     | 60    | A034011/<br>A034012 |
| C               |    | EUROPEAN TYPE  |   | 220-240 | 50/60 | A034021/<br>A034022 |
| D               | D1 | S.E ASIA TYPE  | THAILAND, SRI LANKA, SINGAPORE, MALAYSIA, HONG KONG, PAKISTAN, INDIA, BANGLADESH, INDONESIA | 220-240 | 50/60 | A034041/<br>A034042 |
|                 | D3 | OCEANIA TYPE   | AUSTRALIA, NEW ZEALAND  | 220-240 | 50/60 | A034041/<br>A034042 |
| E               |    | PHILIPPINES  |   | 220-240 | 50/60 | A034041/<br>A034042 |
| F               | F1 | SAUDI ARABIA   |   | 127     | 60    |                     |
|                 | F2 | SAUDI ARABIA   |   | 220-240 | 50/60 |                     |
| G               | G1 | C.S AMERICA  |   | 220-240 | 50/60 |                     |
|                 | G2 | C.S AMERICA  |   | 120     | 60    |                     |
| H               |    | TAIWAN   |   | 110     | 60    |                     |
| I               |    | JORDAN, LEBANON, SYRIA, SOUTH AFRICA, IRAQ, IRAN, N.YEMEN, CAMEROON, UAE, BAHRAIN, OMAN, QATAR, KUWAIT, KENYA, TUNISIA, IVORY COAST, MOROCCO |   | 220-240 | 50/60 |                     |
| J               |    | CHINA  |   | 220-240 | 50/60 | A034081/<br>A034082 |

| <b>Destination No.</b> | <b>Destinations</b> | <b>V</b> | <b>Hz</b> | <b>Model No.</b>    |
|------------------------|---------------------|----------|-----------|---------------------|
| K                      | KOREA               | 220-240  | 50/60     | A034041/<br>A034042 |

***NOTE: Parts not listed with a part number are not available as spare part.***

magicolor 1600W/magicolor 1650EN