

Parts catalog

Legend

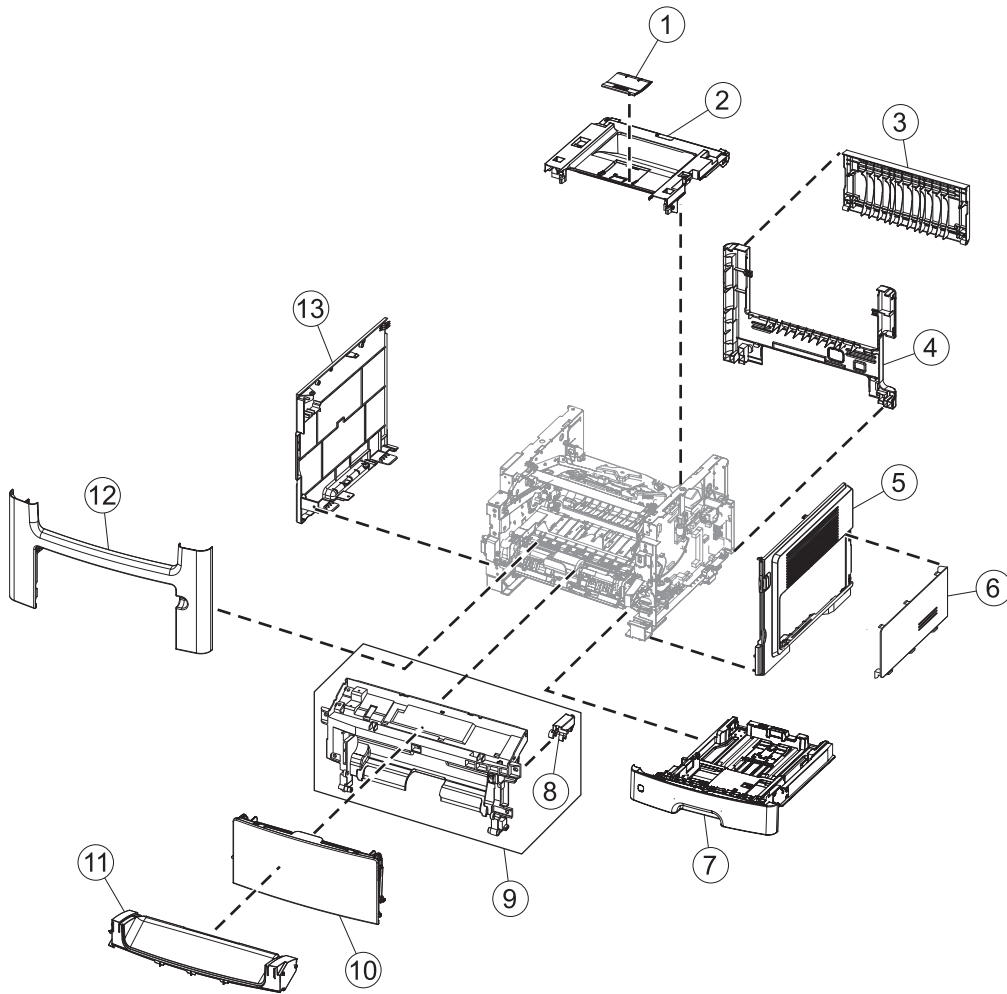
The following column headings are used in the parts catalog:

- **Asm-index**—Identifies the assembly and the item in the diagram. For example, 3-1 indicates Assembly 3 and item 1 in the table.
- **Part number**—Identifies the unique number that correlates with the part.
- **Units/mach**—Refers to the number of units actually used in the base machine or product.
- **Units/option**—Refers to the number of units in a particular option.
- **Units/FRU**—Refers to the number of units in a particular FRU.
- **Description**—A brief description of the part.

The following abbreviations are used in the parts catalog:

- **NS** (not shown) in the Asm-index column indicates that the part is procurable but is not pictured in the illustration.
- **PP** (parts packet) in the Description column indicates that the part is contained in a parts packet.

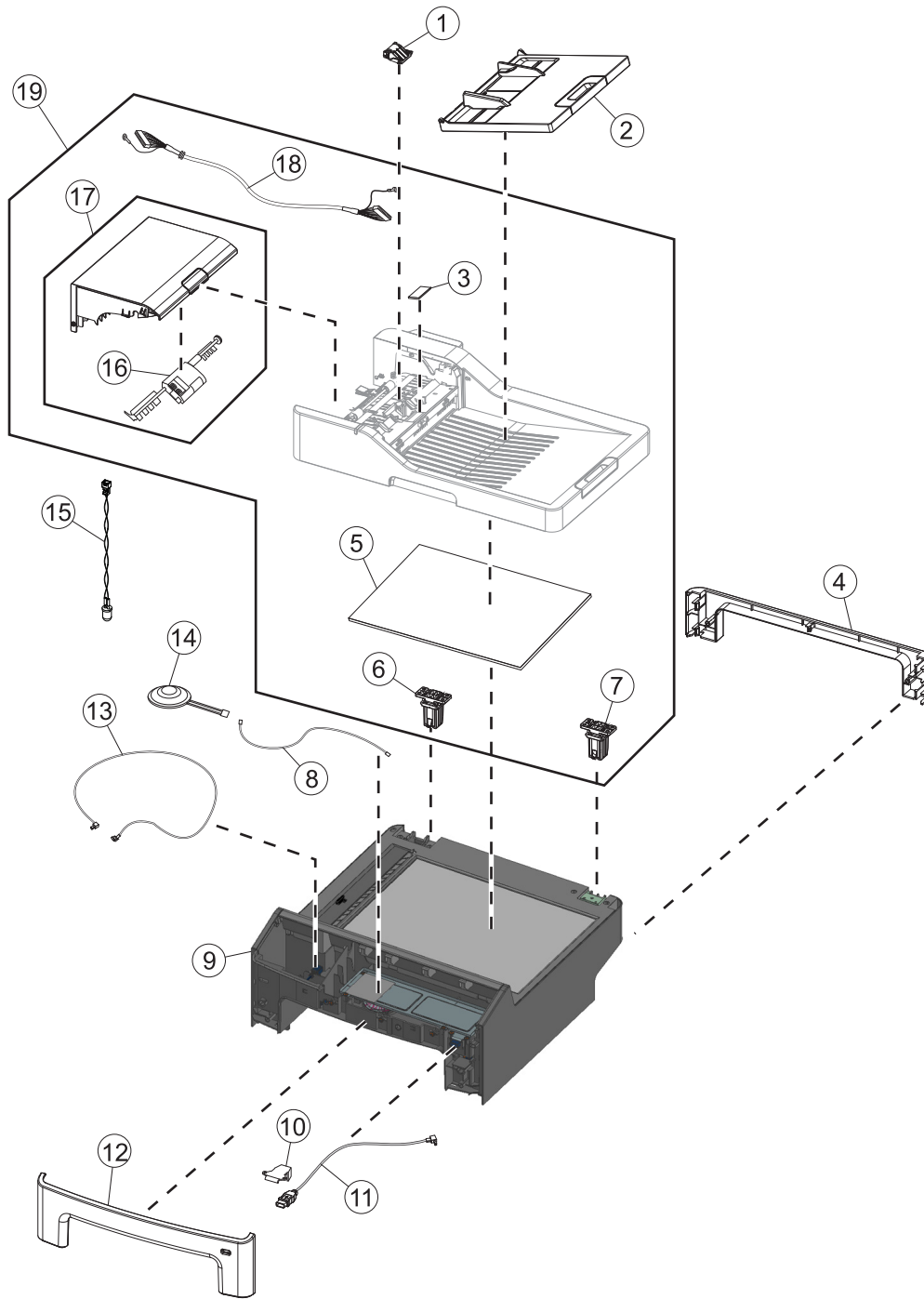
Assembly 1: Covers



Assembly 1: Covers

Asm-index	P/N	Units/mach	Units/FRU	Description	Removal procedure
1	40X9075	1	1	Bin extender	"Bin extender removal" on page 308
2	40X9091	1	1	Top cover	"Top cover assembly removal" on page 307
3	40X9145	1	1	Rear door	"Rear exit door removal" on page 301
4	40X9070	1	1	Rear cover	"Rear cover removal" on page 302
5	40X9073	1	1	Right cover	"Right cover removal" on page 226
6	40X9100	1	1	Memory access door	"Memory access door removal" on page 229
7	40X8303	1	1	250-sheet media tray	N/A
8	40X9148	1	1	Cartridge plunger	"Cartridge plunger removal" on page 244
9	40X9068	1	1	MPF front access cover	"Front access cover removal" on page 265
10	40X9131	1	1	MPF tray	"MPF tray removal" on page 260
10	40X8302	1	1	MPF tray (MX31x)	"MPF tray removal" on page 260
11	40X9069	1	1	Front bin cover	"Front bin cover removal" on page 248
12	40X9071	1	1	Nameplate cover	"Name plate cover removal" on page 246
13	40X9072	1	1	Left cover	"Left cover removal" on page 209

Assembly 2: Imaging

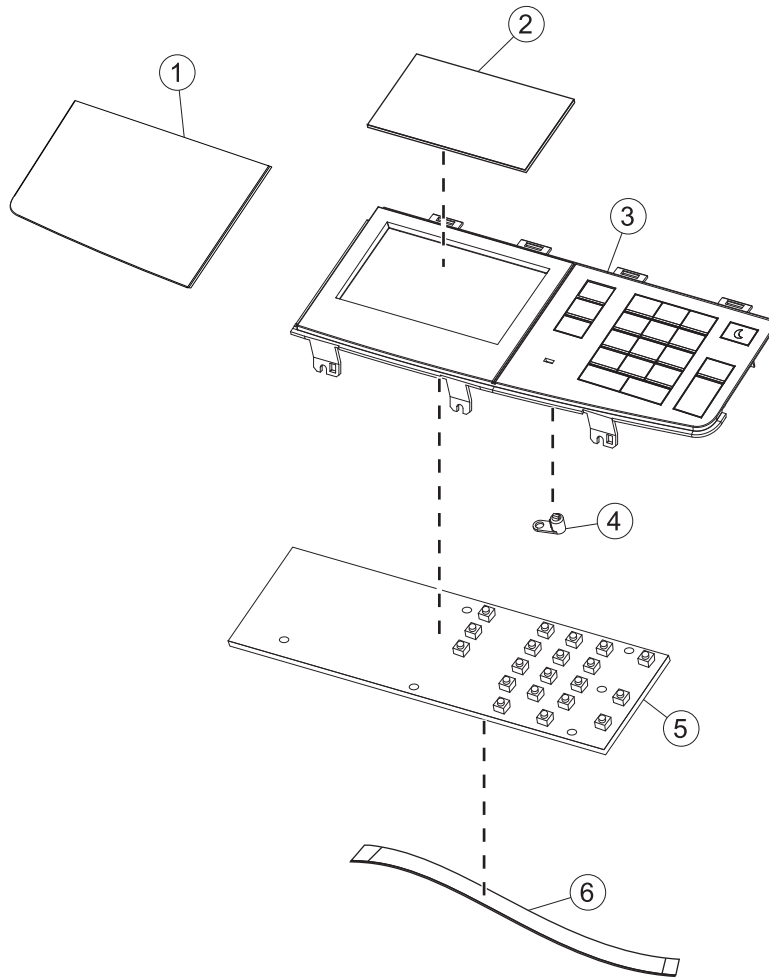


Assembly 2: Imaging

Asm-index	P/N	Units/mach	Units/FRU	Description	Removal procedure
1	40X6247	1	1	ADF separator pad (simplex)	“ADF separator pad removal” on page 311
1	40X9108	1	1	ADF separator roller	“ADF separator roll removal” on page 312
2	40X9054	1	1	ADF input tray	“ADF input tray removal” on page 316
3	40X9110	1	1	Restraint pad	“Restraint pad removal” on page 331
4	40X9081	1	1	Scanner rear cover (MX31x, MX41x)	“Scanner rear cover removal” on page 315
4	40X9128	1	1	Scanner rear cover (MX51x)	“Scanner rear cover removal” on page 315
5	40X9109	1	1	Flatbed cushion (MX31x, MX41x)	“Flatbed cushion removal” on page 314
5	40X5804	1	1	Flatbed cushion (legal)	“Flatbed cushion removal” on page 314
6	40X9129	1	1	ADF left hinge	“ADF hinge removal” on page 327
7	40X8734	1	1	ADF right hinge (MX31x, MX41x)	N/A
7	40X7546	1	1	ADF right hinge (MX51x)	N/A
8	40X9080	1	1	Speaker cable	“Speaker cable removal” on page 328
9	40X9055	1	1	Flatbed (legal)	“Flatbed assembly removal” on page 327
9	40X9056	1	1	Flatbed (A4)	“Flatbed assembly removal” on page 327
10	40X9053	1	1	USB cable bracket	“USB cable bracket removal” on page 254
11	40X9051	1	1	USB cable (MFP)	“USB cable removal” on page 324
12	40X9124	1	1	Scanner front cover (MX31x)	“Scanner front cover removal” on page 315
12	40X9062	1	1	Scanner front cover (MX41x)	“Scanner front cover removal” on page 315
12	40X9063	1	1	Scanner front cover (MX51x)	“Scanner front cover removal” on page 315
13	40X9050	1	1	Wireless cable (MFP)	“USB wireless cable removal” on page 325
14	40X9078	1	1	Speaker (MX31x)	“Speaker removal” on page 254
14	40X9079	1	1	Speaker (MX41x, MX51x)	“Speaker removal” on page 254

Asm-index	P/N	Units/mach	Units/FRU	Description	Removal procedure
15	40X9060	1	1	Cave light cable	“Cave light cable removal” on page 330
16	40X8736	1	1	ADF pick roller	N/A
17	40X9142	1	1	ADF top cover (legal)	“ADF top cover assembly” on page 322
17	40X9143	1	1	ADF top cover (A4, duplex)	“ADF top cover assembly” on page 322
17	40X9144	1	1	ADF top cover (A4, simplex)	“ADF top cover assembly” on page 322
18	40X9118	1	1	ADF cable (MX31x, MX41x)	“ADF cable removal” on page 324
18	40X9117	1	1	ADF cable (MX51x)	“ADF cable removal” on page 324
19	40X9093	1	1	ADF assembly (input, legal)	“ADF unit removal” on page 316
19	40X9059	1	1	ADF assembly (simplex)	“ADF unit removal” on page 316
19	40X9057	1	1	ADF assembly (A4, duplex)	“ADF unit removal” on page 316
NS	40X9180	1	1	Cable clamp	N/A

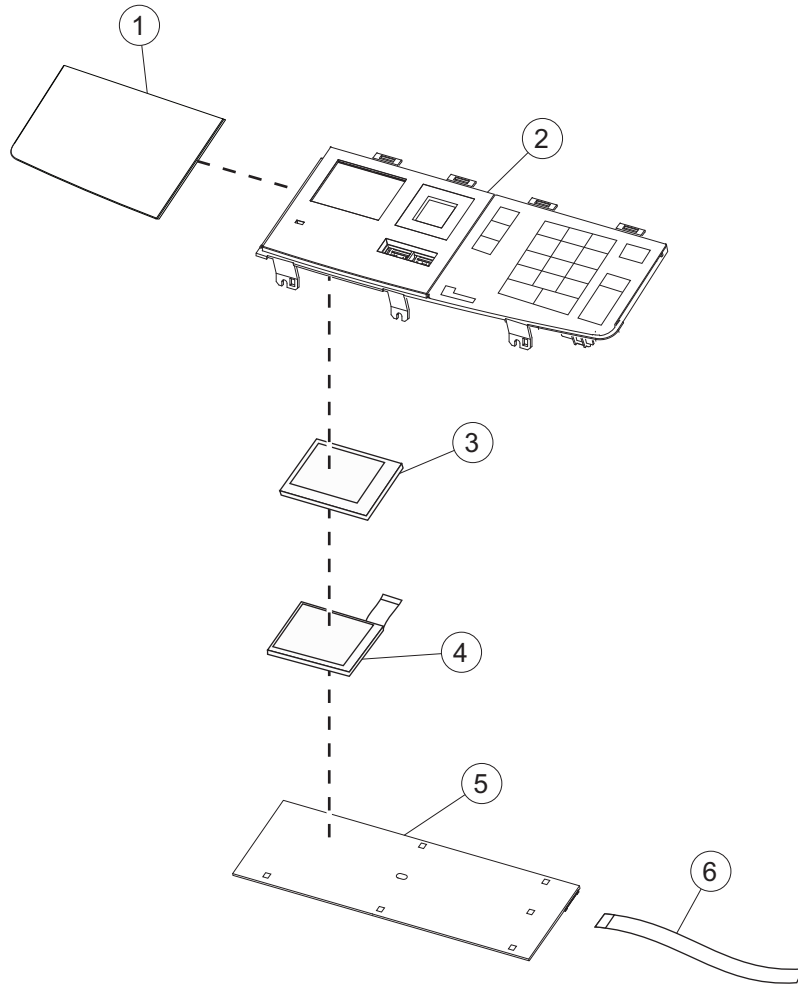
Assembly 3: Control panel (MX41x, MX51x)



Assembly 3: Control panel (MX41x, MX51x)

Asm-index	P/N	Units/mach	Units/FRU	Description	Removal procedure
1	40X9122	1	1	Control panel cover (MX41x)	“Control panel cover removal” on page 255
1	40X9123	1	1	Control panel cover (MX510de)	“Control panel cover removal” on page 255
1	40X9149	1	1	Control panel cover (MX511de)	“Control panel cover removal” on page 255
1	40X9160	1	1	Control panel cover (MX511dhe)	“Control panel cover removal” on page 255
2	40X7116	1	1	4.3" LCD (touch-screen)	“Display removal (MX410, MX51x)” on page 256
3	40X9105	1	1	Control panel keypad assembly (MX41x, MX51x)	N/A
4	40X9064	1	1	Light tube	“Light tube removal” on page 258
5	40X9114	1	1	UICC (MX41x, MX51x)	“UICC removal” on page 252
6	40X9052	1	1	UICC cable	N/A

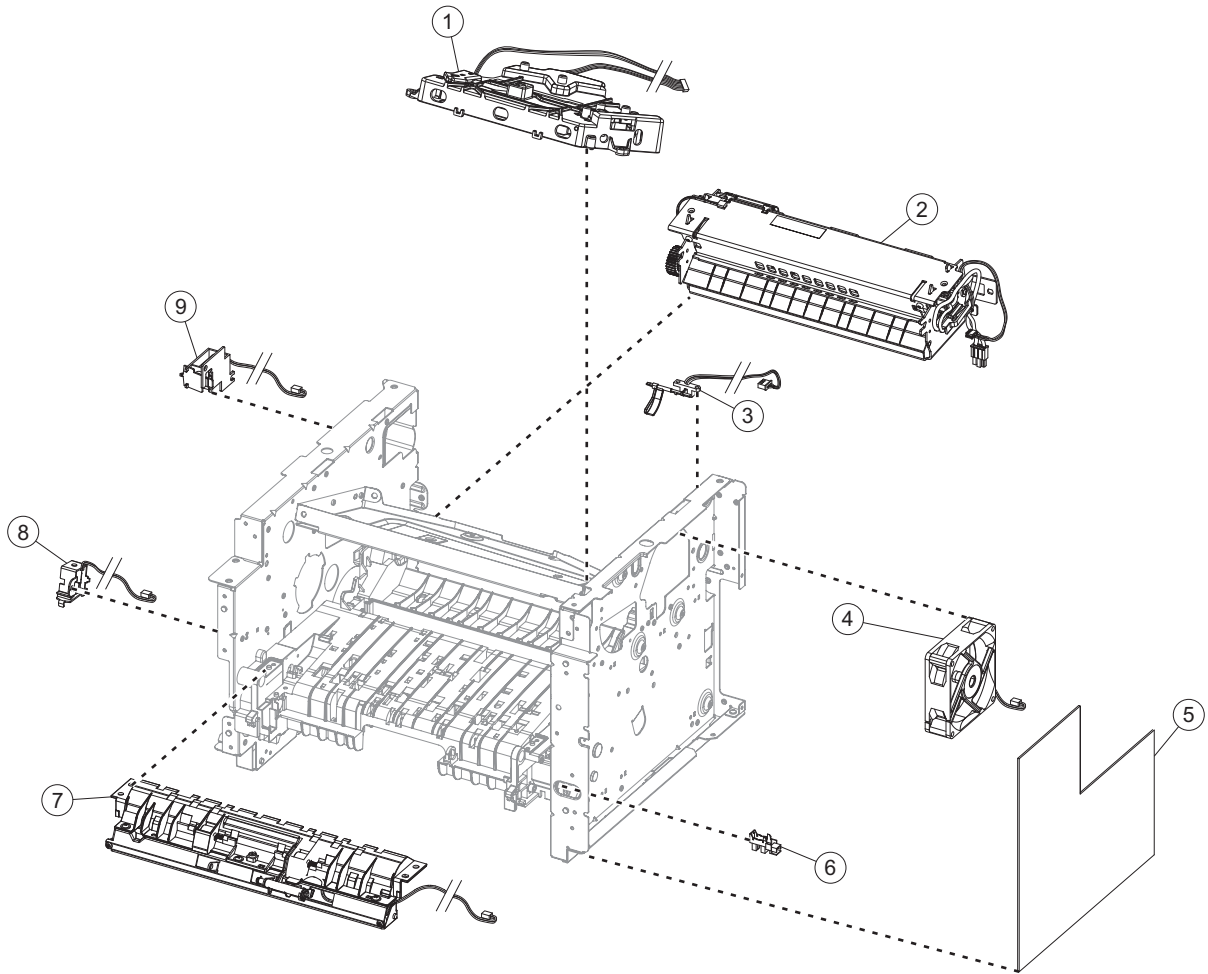
Assembly 4: Control panel (MX31x)



Assembly 4: Control panel (MX31x)

Asm-index	P/N	Units/mach	Units/FRU	Description	Removal procedure
1	40X9121	1	1	Control panel cover (MX31x)	“Control panel cover removal” on page 255
2	40X9104	1	1	Control panel keypad assembly (MX31x)	N/A
3	40X9113	1	1	Control panel lens	N/A
4	40X9111	1	1	2.4" LCD	“Display (MX310) removal ” on page 258
5	40X9112	1	1	UICC (MX31x)	“UICC (MX310) removal” on page 252
6	40X9052	1	1	UICC cable	N/A

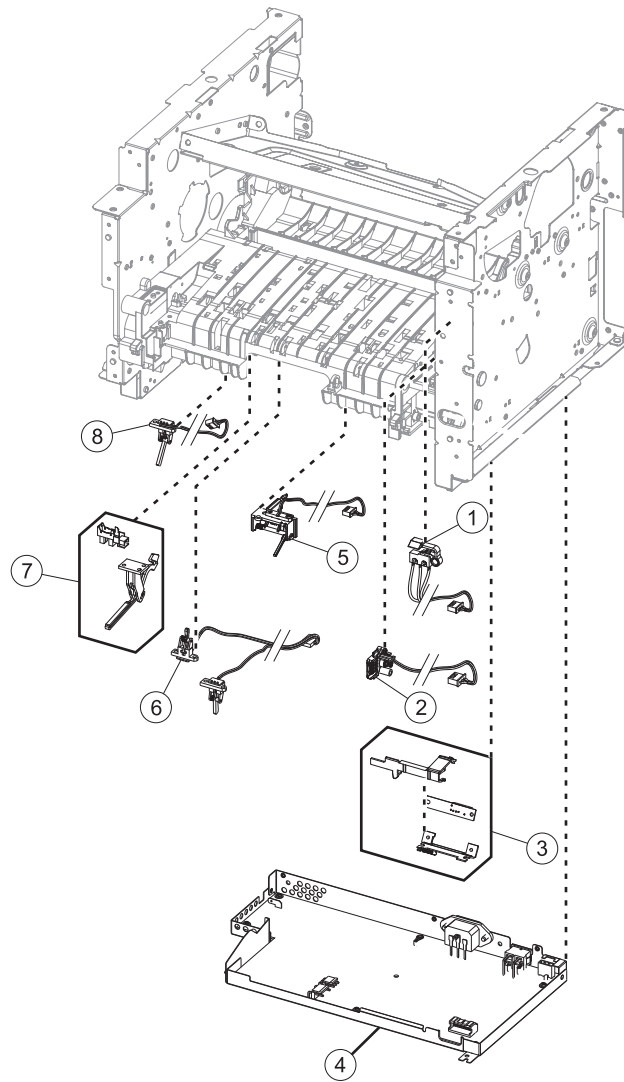
Assembly 5: Electronics 1



Assembly 5: Electronics 1

Asm-index	P/N	Units/mach	Units/FRU	Description	Removal procedure
1	40X8082	1	1	Laser scanning unit (MX31x)	"Laser scanning unit (LSU) removal" on page 309
1	40X8081	1	1	Laser scanning unit (MX41x)	"Laser scanning unit (LSU) removal" on page 309
1	40X8080	1	1	Laser scanning unit (MX51x)	"Laser scanning unit (LSU) removal" on page 309
2	40X8343	1	1	Fuser, 100 V	"Fuser removal" on page 305
2	40X8023	1	1	Fuser, 110 V	"Fuser removal" on page 305
2	40X8024	1	1	Fuser, 220 V	"Fuser removal" on page 305
3	40X8050	1	1	Narrow media/exit sensor	"Narrow media/bin full sensor removal" on page 302
4	40X8274	1	1	Cooling fan	"Cooling fan removal" on page 230
5	40X9065	1	1	Controller board (MX31x)	"Controller board removal" on page 231
5	40X9066	1	1	Controller board (MX41x)	"Controller board removal" on page 231
5	40X9067	1	1	Controller board (MX51x)	"Controller board removal" on page 231
6	40X7592	1	1	Tray present sensor	"Tray present sensor removal" on page 229
7	40X8280	1	1	Front input guide	"Front input guide removal" on page 267
8	40X8300	1	1	MPF solenoid	"MPF solenoid removal" on page 213
9	40X8301	1	1	Reverse solenoid	"Reverse solenoid removal" on page 218

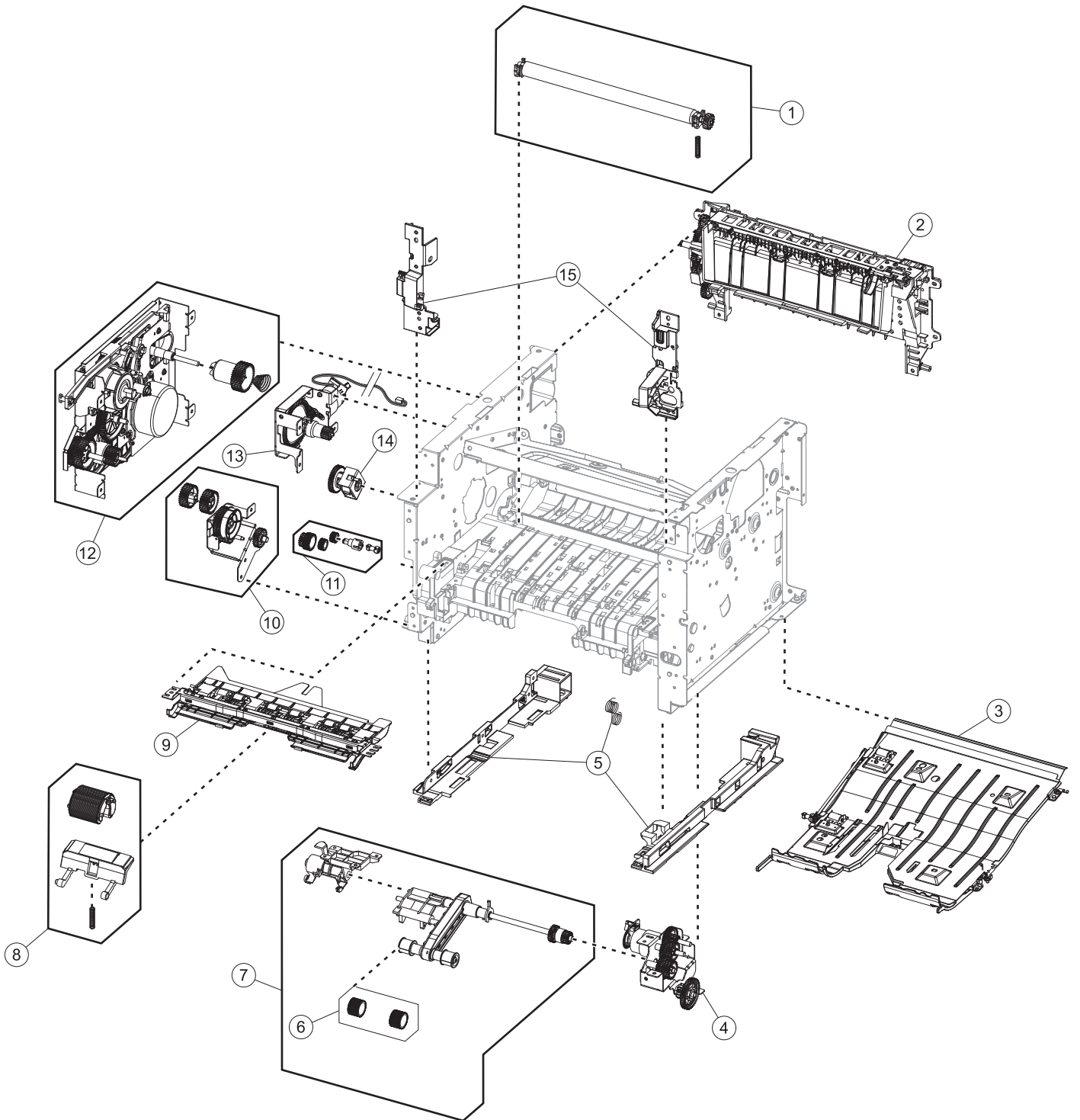
Assembly 6: Electronics 2



Assembly 6: Electronics 2

Asm-index	P/N	Units/mach	Units/FRU	Description	Removal procedure
1	40X8048	1	1	Front door sensor	"Front door sensor removal" on page 267
2	40X8266	1	1	Cartridge smart chip contact	"Toner cartridge smart chip contact removal" on page 236
3	40X8046	1	1	Toner density sensor	"Toner density sensor removal" on page 282
4	40X7797	1	1	Power supply, 100 V/110 V	"Power supply removal" on page 272
4	40X7798	1	1	Power supply, 220 V	"Power supply removal" on page 272
5	40X8045	1	1	Trailing edge sensor	"Trailing edge sensor removal" on page 282
6	40X8043	1	1	Duplex sensor and input sensor	"Duplex sensor and input sensor removal" on page 275
7	40X7592	1	1	Media present sensor	"Media present sensor removal" on page 280
8	40X8044	1	1	Index sensor	"Index sensor removal" on page 279

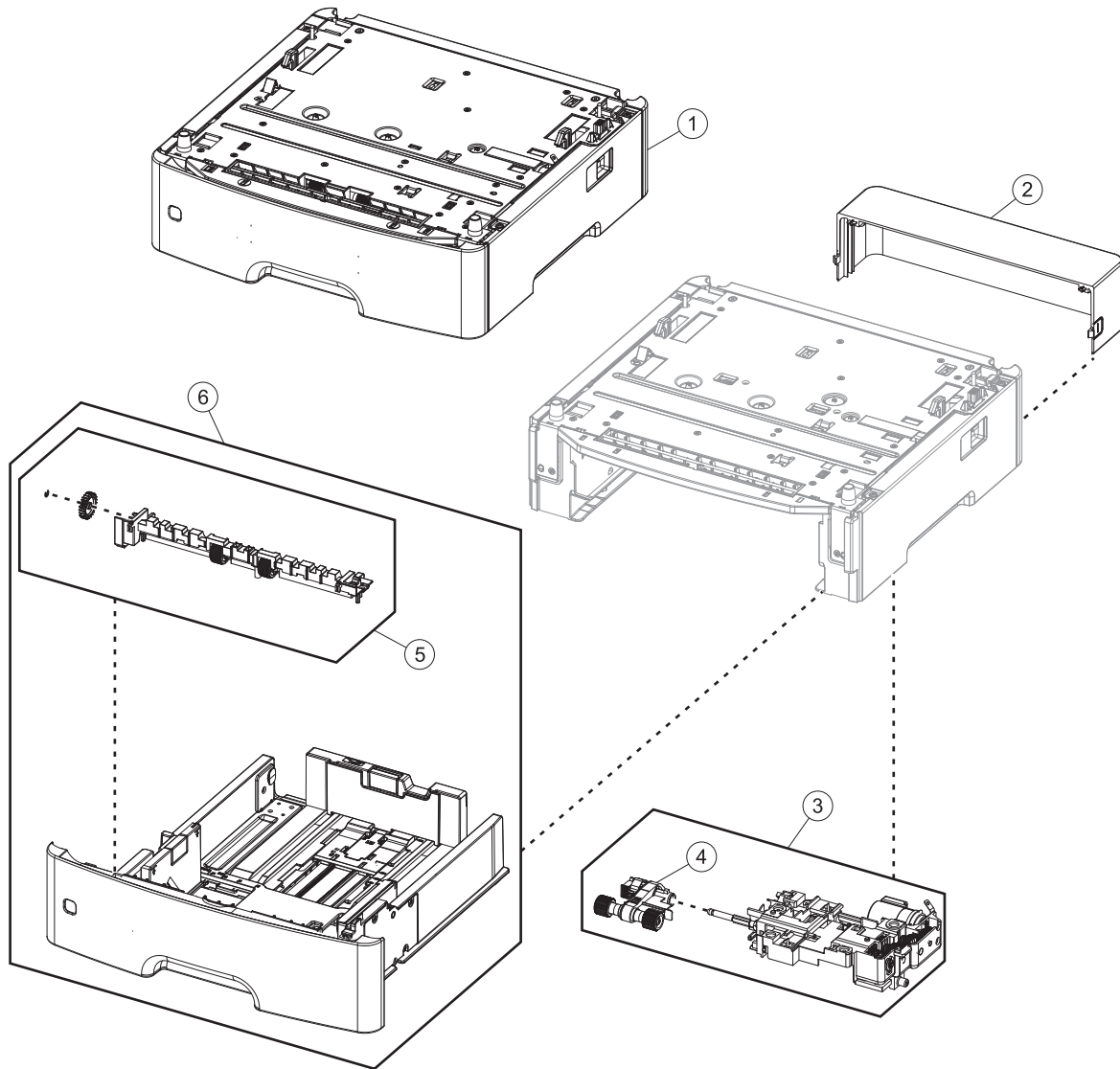
Assembly 7: Frame



Assembly 7: Frame

Asm-index	P/N	Units/mach	Units/FRU	Description	Removal procedure
1	40X8393	1	1	Transfer roll	"Transfer roll removal" on page 243
2	40X9077	1	1	Redrive assembly	"Redrive assembly removal" on page 304
3	40X8275	1	1	Duplex assembly	"Duplex removal" on page 274
4	40X8084	1	1	Pick/lift motor gearbox	"Pick/lift motor gearbox removal" on page 297
5	40X9522	1	1	Tray guide (MX31x, MX41x)	"Tray guide removal" on page 298
5	40X9523	1	1	Tray guide (MX51x)	"Tray guide removal" on page 298
6	40X8297	2	2	Pick tire	N/A
7	40X8261	1	1	ACM assembly (MX51x)	"ACM assembly removal" on page 288
7	40X8260	1	1	ACM assembly (MX31x, MX41x)	"ACM assembly removal" on page 288
8	40X8295	2	2	MPF pick roller and separator pad	"MPF pick roller removal" on page 263 and "Separator pad removal" on page 269
9	40X8279	1	1	Jam access cover	"Jam access cover removal" on page 264
10	40X8278	1	1	MPF gearbox	"MPF gearbox removal" on page 215
11	40X8277	1	1	Duplex gear assembly	"Duplex gear assembly removal" on page 224
12	40X8085	1	1	Main drive gearbox	"Main drive gearbox removal" on page 211
13	40X8083	1	1	Cartridge gearbox	"Cartridge gearbox removal" on page 224
14	40X8265	1	1	ACM clutch	"ACM clutch removal (MX310, MX410)" on page 219
15	40X8299	1	1	Front mounts	"Left front mount removal" on page 240 and "Right front mount removal" on page 241

Assembly 8: Option trays



Assembly 8: Option trays

Asm-index	P/N	Units/mach	Units/FRU	Description	Removal procedure
1	40X8287	1	1	250-sheet tray	N/A
1	40X8286	1	1	550-sheet tray	N/A
2	40X8520	1	1	Dust cover, 250-sheet tray	"Dust cover removal" on page 300
2	40X8521	1	1	Dust cover, 550-sheet tray	"Dust cover removal" on page 300
3	40X8262	1	1	ACM assembly	"ACM assembly removal" on page 334
4	40X8443	1	1	Pick roller assembly	"Pick roller removal" on page 332
5	40X8444	1	1	Separator roll assembly	"Separator roll assembly removal" on page 332
6	40X8305	1	1	250-sheet tray insert	N/A
6	40X8303	1	1	250-sheet tray insert (MX31x, MX41x)	N/A
6	40X8086	1	1	550-sheet tray insert	N/A

Assembly 9: Maintenance kits

Asm-index	P/N	Units/mach	Units/FRU	Description	Removal procedure
NS	40X9146	1	1	Maintenance kit, 100 V	N/A
NS	40X9135	1	1	Maintenance kit, 110 V	N/A
NS	40X9146	1	1	Maintenance kit, 220 V	N/A

Assembly 10: Power cords

Asm-index	P/N	Units/mach	Units/FRU	Description	Removal procedure
NS	40X0269	1	1	Power cord, 2.5 m (straight)—USA, Canada	N/A
NS	40X3141	1	1	Power cord, 2.5 m (straight)—Europe and others	N/A
NS	40X0288	1	1	Power cord, 2.5 m (straight)—Argentina	N/A
NS	40X0271	1	1	Power cord, 2.5 m (straight)—United Kingdom	N/A
NS	40X0275	1	1	Power cord, 2.5 m (straight)—Israel	N/A
NS	40X1772	1	1	Power cord, 2.5 m (straight)—Switzerland	N/A
NS	40X1773	1	1	Power cord, 2.5 m (straight)—South Africa	N/A
NS	40X0273	1	1	Power cord, 2.5 m (straight)—Traditional Italy	N/A
NS	40X1774	1	1	Power cord, 2.5 m (straight)—Denmark	N/A
NS	40X4596	1	1	Power cord, 2.5 m (straight)—Brazil	N/A
NS	40X0303	1	1	Power cord, 2.5 m (straight)—China	N/A
NS	40X0270	1	1	Power cord, 2.5 m (straight)—Japan	N/A
NS	40X1792	1	1	Power cord, 2.5 m (straight)—Korea	N/A
NS	40X1791	1	1	Power cord, 2.5 m (straight)—Taiwan	N/A
NS	40X0301	1	1	Power cord, 2.5 m (straight)—Australia	N/A

Assembly 11: Miscellaneous

Asm-index	P/N	Units/mach	Units/FRU	Description	Removal procedure
NS	40X7856	1	1	Hard disk drive (ATA pass through)	N/A
NS	40X7858	1	1	Adapter, 802.11B/G/N - US	N/A
NS	40X7854	1	1	Adapter, fax (MX41x, MX51x)	N/A
NS	40X7855	1	1	Adapter, fax (MX31x)	N/A
NS	40X4819	1	1	Adapter, RS232C serial	N/A
NS	40X5315	1	1	Screw, shipped with ISP (2PER)	N/A
NS	40X5316	1	1	Cable, 14-pin JST- for ISP	N/A
NS	40X5317	1	1	Standoff, tee with thumbscrew	N/A
NS	40X4826	1	1	Adapter, N8120 GB INA	N/A
NS	40X4823	1	1	Adapter, parallel 1284-B THCK	N/A
NS	40X4827	1	1	Adapter, N8130 10/100 fiber	N/A
NS	40X8556	1	1	Font card, Traditional Chinese	N/A
NS	40X8557	1	1	Font card, Simplified Chinese	N/A
NS	40X8568	1	1	Font card, Korean	N/A
NS	40X8569	1	1	Font card, Japanese	N/A
NS	40X1368	1	1	USB cable, packaged (2 meters)	N/A
NS	40X8616	1	1	Forms and Barcode card	N/A
NS	40X8617	1	1	IPDS card	N/A
NS	40X8618	1	1	Prescribe card	N/A
NS	40X7445	1	1	2GB DDR3 DIMM	N/A
NS	40X7567	1	1	1GB DDR3 DIMM	N/A
NS	40X8570	1	1	Font card, Arabic	N/A
NS	40X8570	1	1	Font card, Arabic	N/A
NS	40X8571	1	1	Font card, Hebrew	N/A
NS	40X8524	1	1	Parallel 1284-B interface card (MX51x)	N/A
NS	40X8523	1	1	RS-232C Serial Interface Card (MX51x)	N/A
NS	40X8526	1	1	MarkNet N8350 802.11 b/g/n Wireless Print Server (MX51x)	N/A
NS	40X8331	1	1	MarkNet N8350 802.11 b/g/n Wireless Print Server (MX31x, MX41x)	N/A

