

Parts catalog

Legend

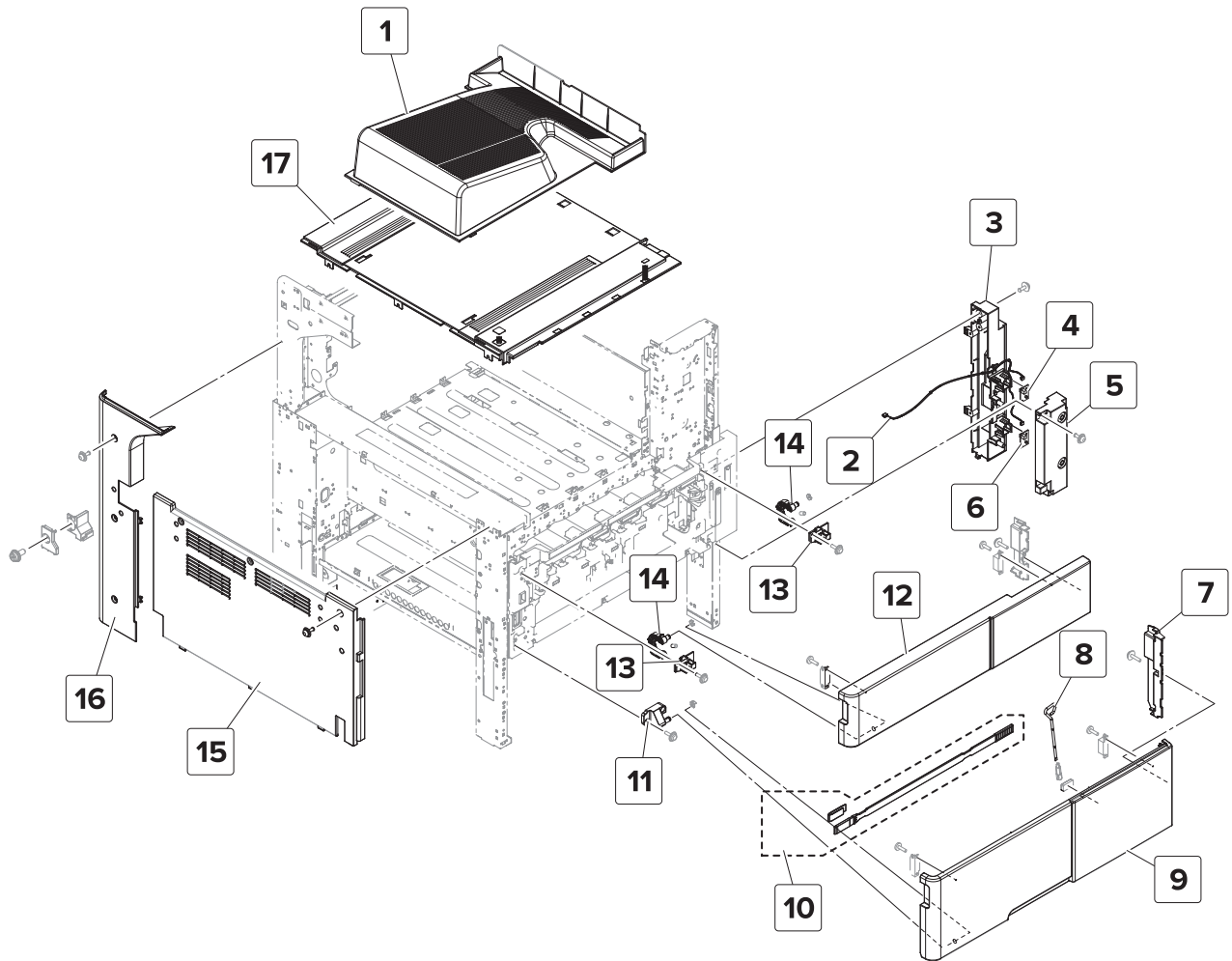
The following column headings are used in the parts catalog:

- **Asm-index**—Identifies the item in the illustration.
- **P/N**—Identifies the unique part number that correlates with the part.
- **Units/mach**—Refers to the number of units used in the printer.
- **Units/opt**—Refers to the number of units in a particular option.
- **Units/FRU**—Refers to the number of units in a particular FRU.
- **Description**—A brief description of the part.

The following abbreviations are used in the parts catalog:

- **NS** (not shown) in the Asm-index column indicates that the part is procurable but is not shown in the illustration.
- **PP** (parts packet) in the Description column indicates that the part is contained in a parts packet.

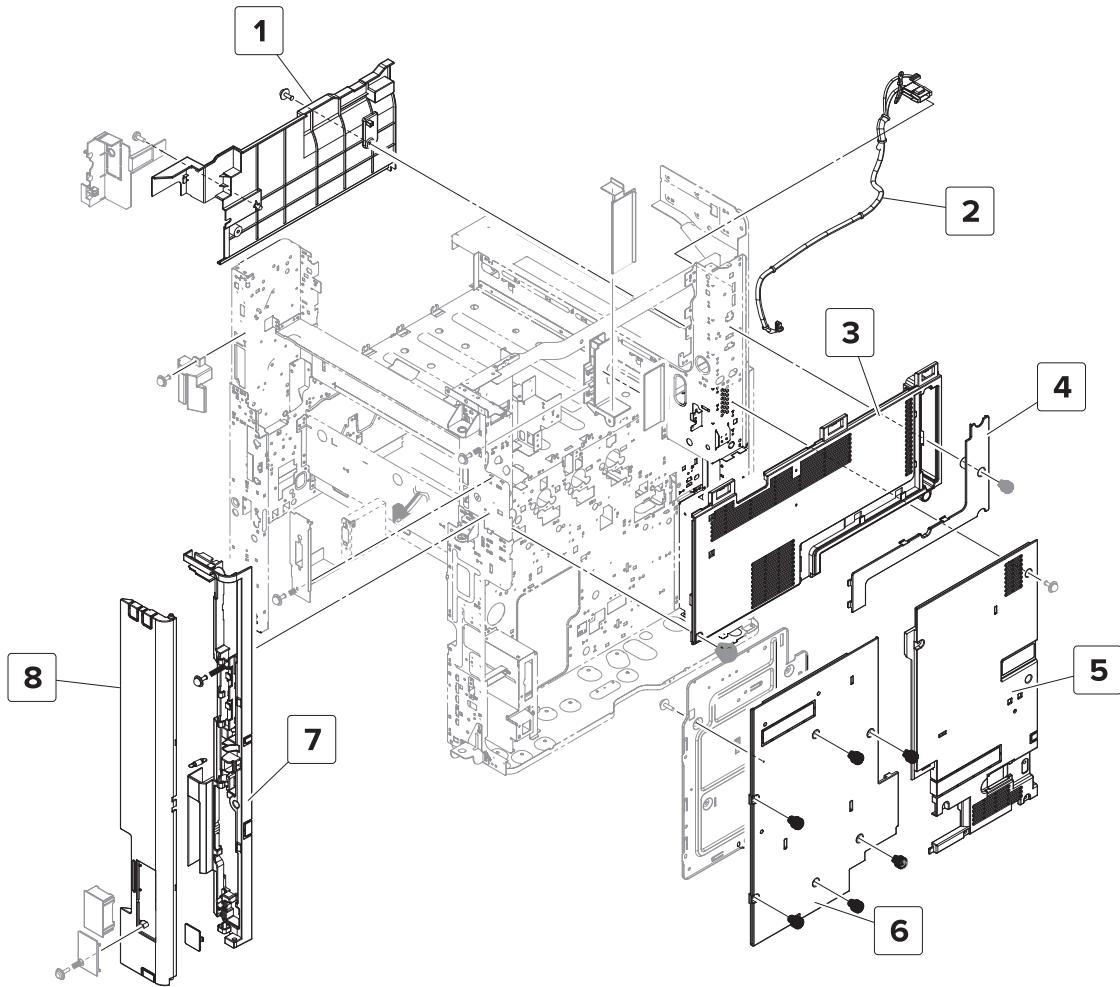
Assembly 1: Covers 1



Assembly 1: Covers 1

Asm-index	P/N	Units/mach	Units/FRU	Description	Removal procedure
1	40X9924	1	1	Standard bin	--
2	40X8901	1	1	Tray empty board cable	--
3	40X9758	1	1	Tray empty board mount	--
4	40X8903	2	1	Tray 1 empty indicator	--
5	40X8902	1	1	Tray empty board cover	--
6	40X8903	2	1	Tray 2 empty indicator	--
7	40X8904	1	1	Front lower cover	--
8	40X9962	1	1	Screwdriver	--
9	40X9760	1	1	Bottom front door	"Bottom front door removal" on page 274
10	40X8905	1	1	Photoconductor cleaner	--
11	40X9761	1	1	Bottom front door hinge	--
12	40X8900	1	1	Top front door	"Top front door removal" on page 273
13	40X8906	2	1	Top front door outer hinge	--
14	40X9917	2	1	Top front door inner hinge	--
15	40X8898	1	1	Left cover	"Left cover removal" on page 223
16	40X8899	1	1	Rear left cover	"Rear left cover removal" on page 224
17	40X8897	1	1	Standard bin base	"Standard bin base removal" on page 329

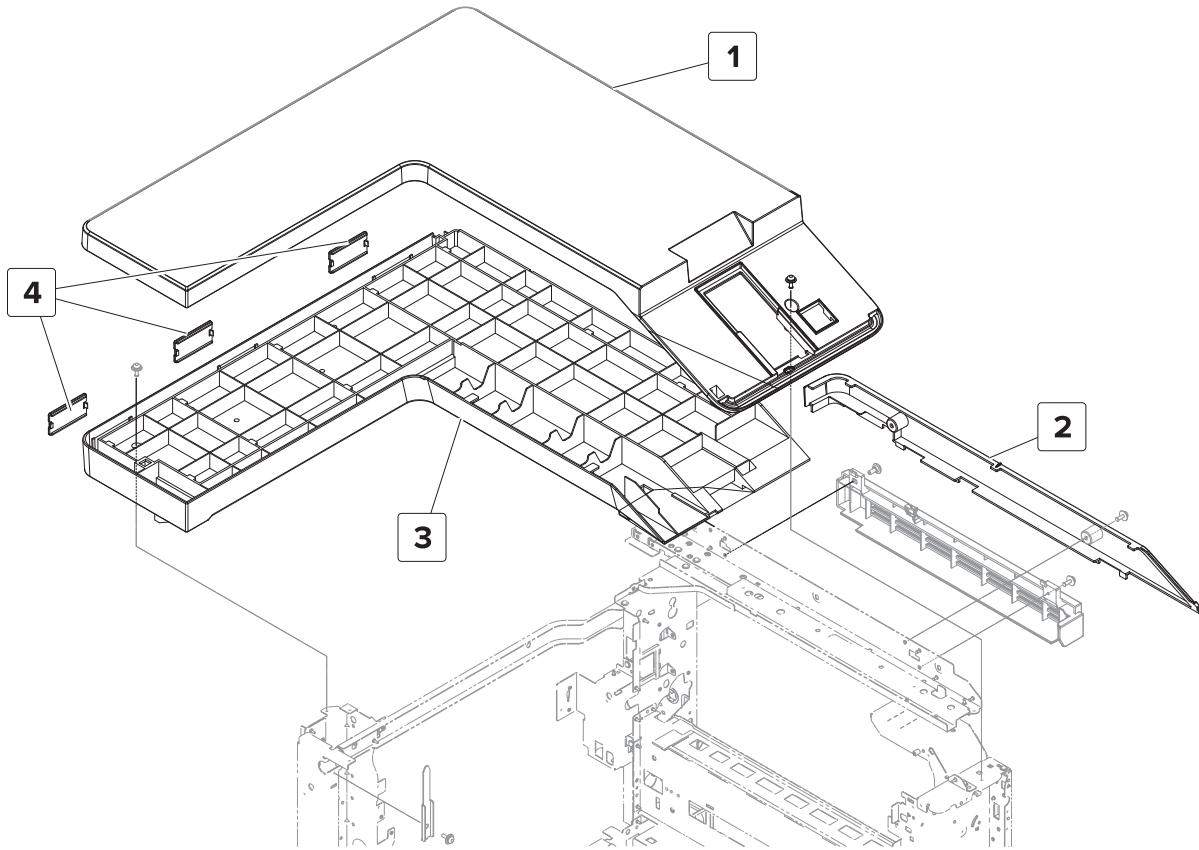
Assembly 2: Covers 2



Assembly 2: Covers 2

Asm-index	P/N	Units/mach	Units/FRU	Description	Removal procedure
1	40X8914	1	1	Bin side cover	"Bin side cover removal" on page 330
2	40X9591	1	1	Finisher interface cable	--
3	40X8908	1	1	Upper rear cover	"Upper rear cover removal" on page 289
4	40X9762	1	1	Scanner interface cable cover	"Scanner interface cable cover removal" on page 286
5	40X8909	1	1	Engine board cover	"Engine board cover removal" on page 289
6	40X8910	1	1	Controller board access cover	"Controller board access cover removal" on page 287
7	40X8912	1	1	Port mount	"Port access door removal" on page 228
8	40X9763	1	1	Port access door	"Port access door removal" on page 228

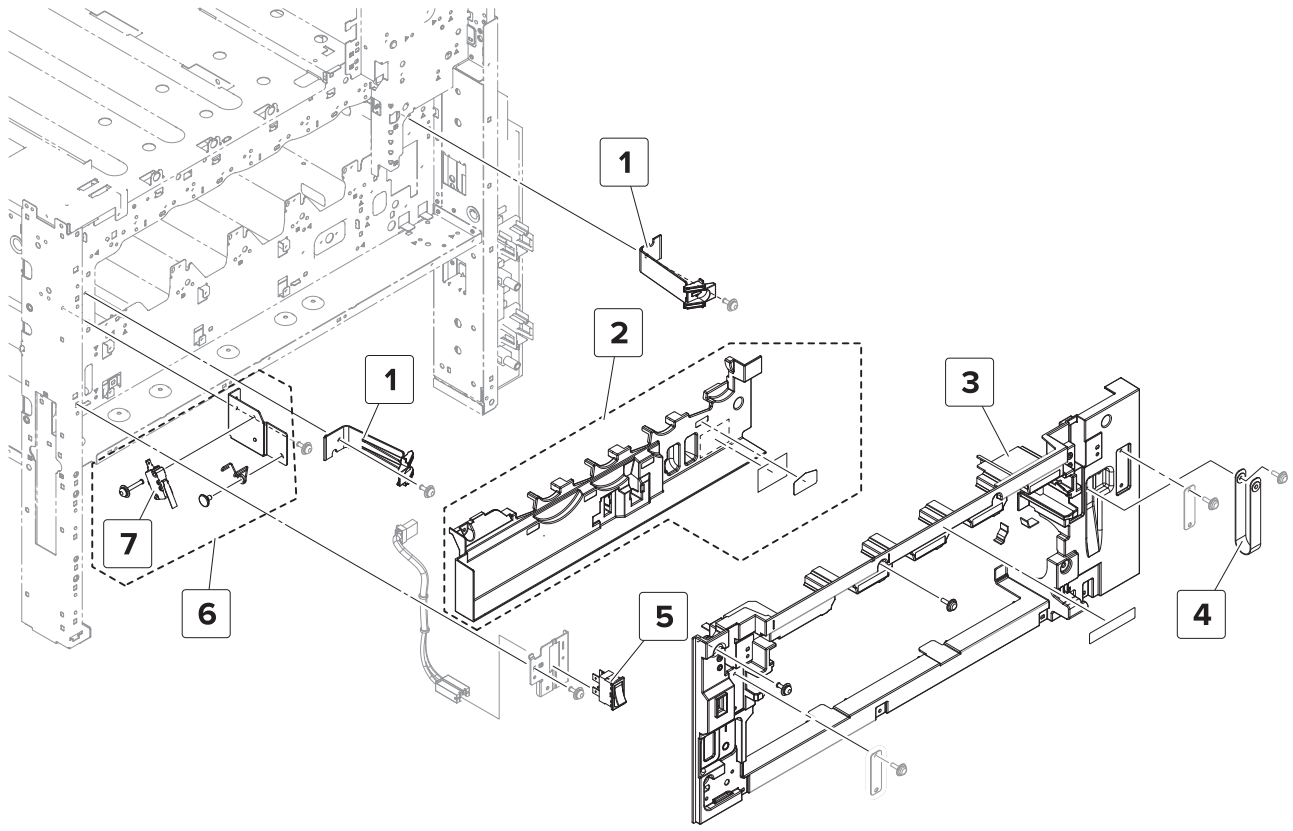
Assembly 3: Covers 3



Assembly 3: Covers 3

Asm-index	P/N	Units/mach	Units/FRU	Description	Removal procedure
1	40X9018	1	1	Top cover	--
2	40X8967	1	1	Top side cover	"Top side cover removal" on page 232
3	40X9157	1	1	Top cover base	--
4	40X9038	3	1	Hole plug	--

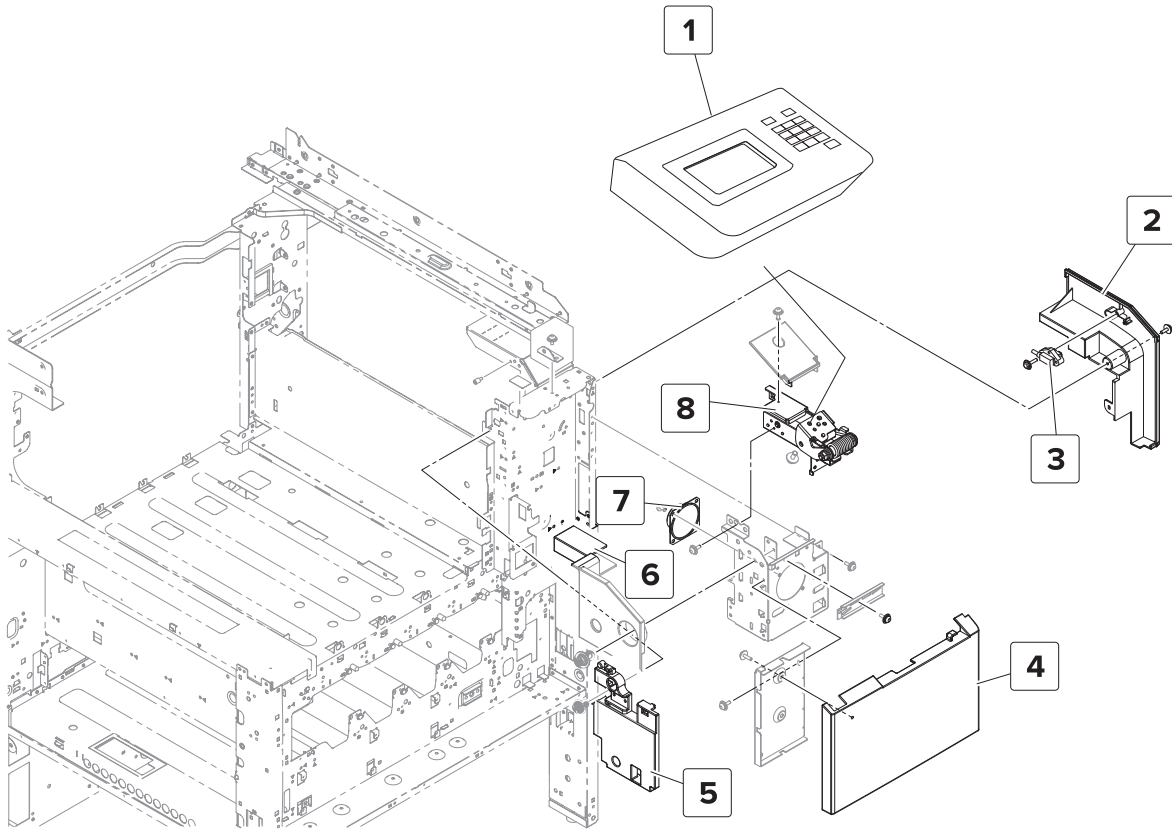
Assembly 4: Inner covers



Assembly 4: Inner covers

Asm-index	P/N	Units/mach	Units/FRU	Description	Removal procedure
1	40X8915	2	1	Waste toner bottle latch	--
2	40X8916	1	1	Front inner cover	"Front inner cover removal" on page 274
3	40X9764	1	1	Waste toner door mount	"Waste toner door mount removal" on page 275
4	40X8919	1	1	Lower front door strap	--
5	40X8917	1	1	Main power switch	"Main power switch removal" on page 277
6	40X9963	1	1	Waste toner door switch	"Door switch removal" on page 276
7	40X9527	1	1	Door switch	"Door switch removal" on page 276

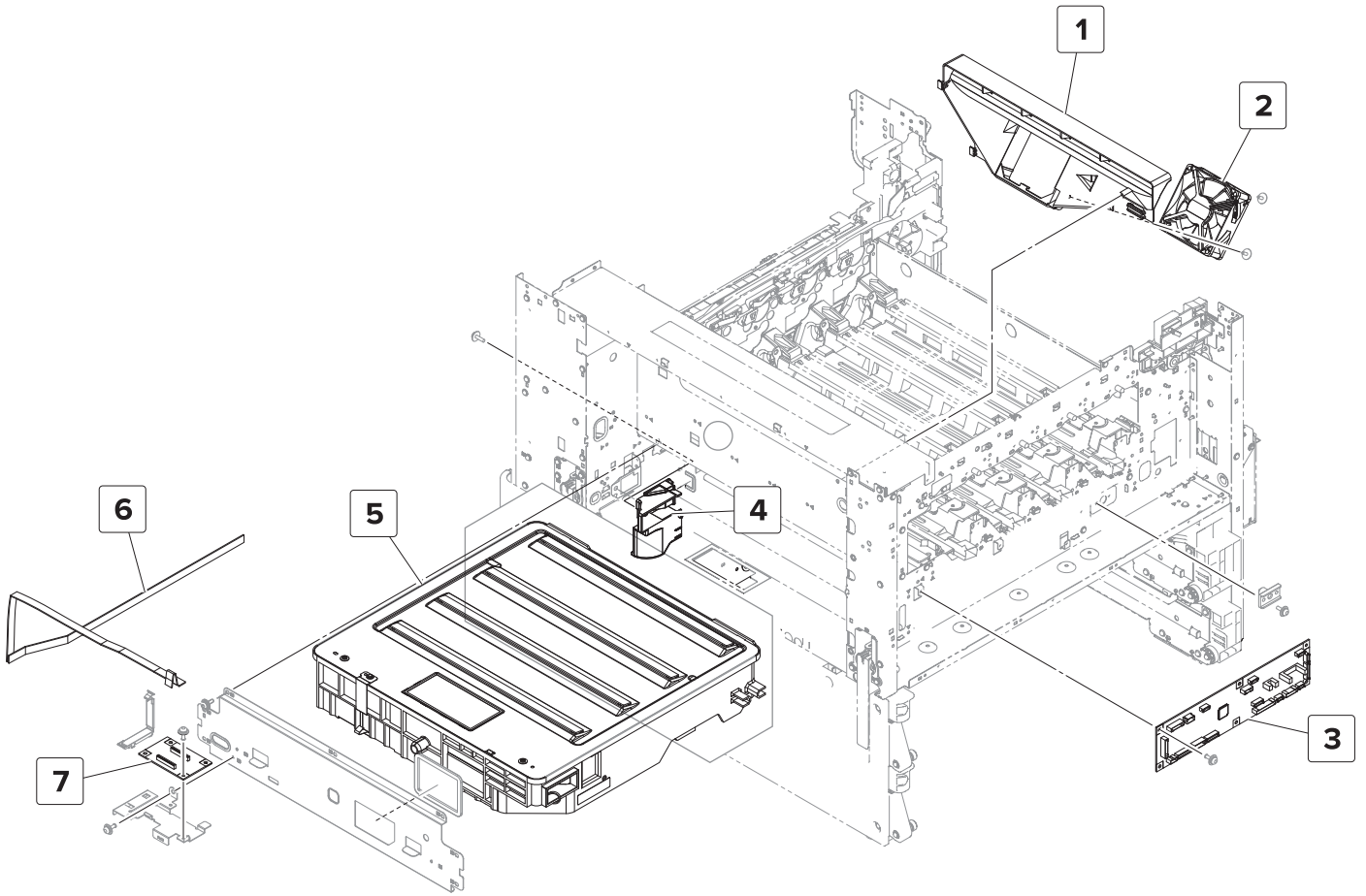
Assembly 5: Control panel



Assembly 5: Control panel

Asm-index	P/N	Units/mach	Units/FRU	Description	Removal procedure
1	40X9662	1	1	Control panel	--
2	40X9965	1	1	USB port cover	--
3	40X9970	1	1	USB extension cable	--
4	40X9966	1	1	Speaker cover	"Speaker cover removal" on page 284
5	40X9967	1	1	Control panel cable guide lower cover	--
6	40X9969	1	1	Control panel cable guide upper cover	--
7	40X9968	1	1	Speaker	--
8	40X9172	1	1	Control panel hinge	--

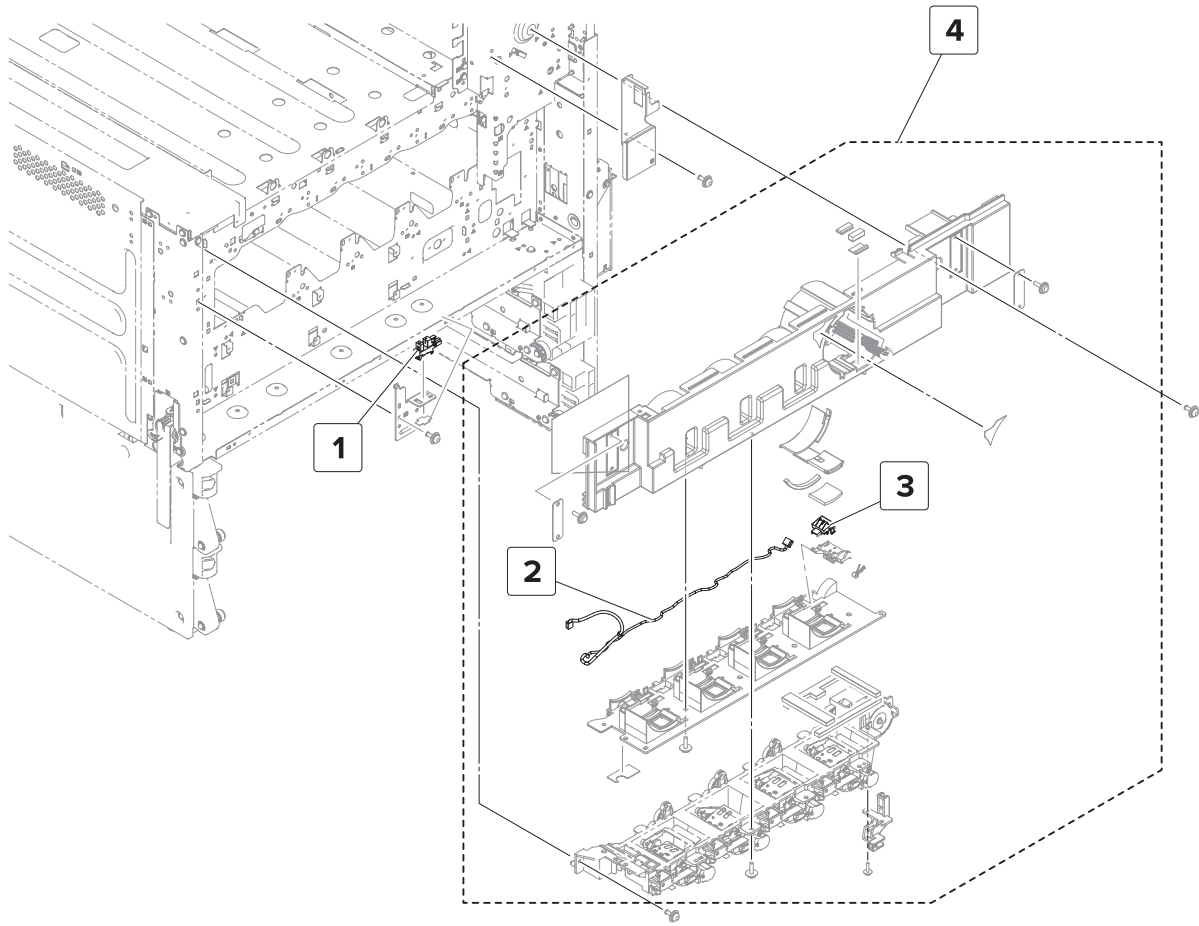
Assembly 6: Printhead



Assembly 6: Printhead

Asm-index	P/N	Units/mach	Units/FRU	Description	Removal procedure
1	40X8944	1	1	Transfer belt fan duct	--
2	40X8945	1	1	Transfer belt fan	"Transfer belt fan removal" on page 329
3	40X8946	1	1	Image controller board	"Image controller board removal" on page 275
4	40X9188	1	1	Ozone filter duct	--
5	40X8949	1	1	Printhead (MFP)	"Printhead removal" on page 226
6	40X8948	1	1	Printhead FFC	--
7	40X8947	1	1	Printhead relay board	--

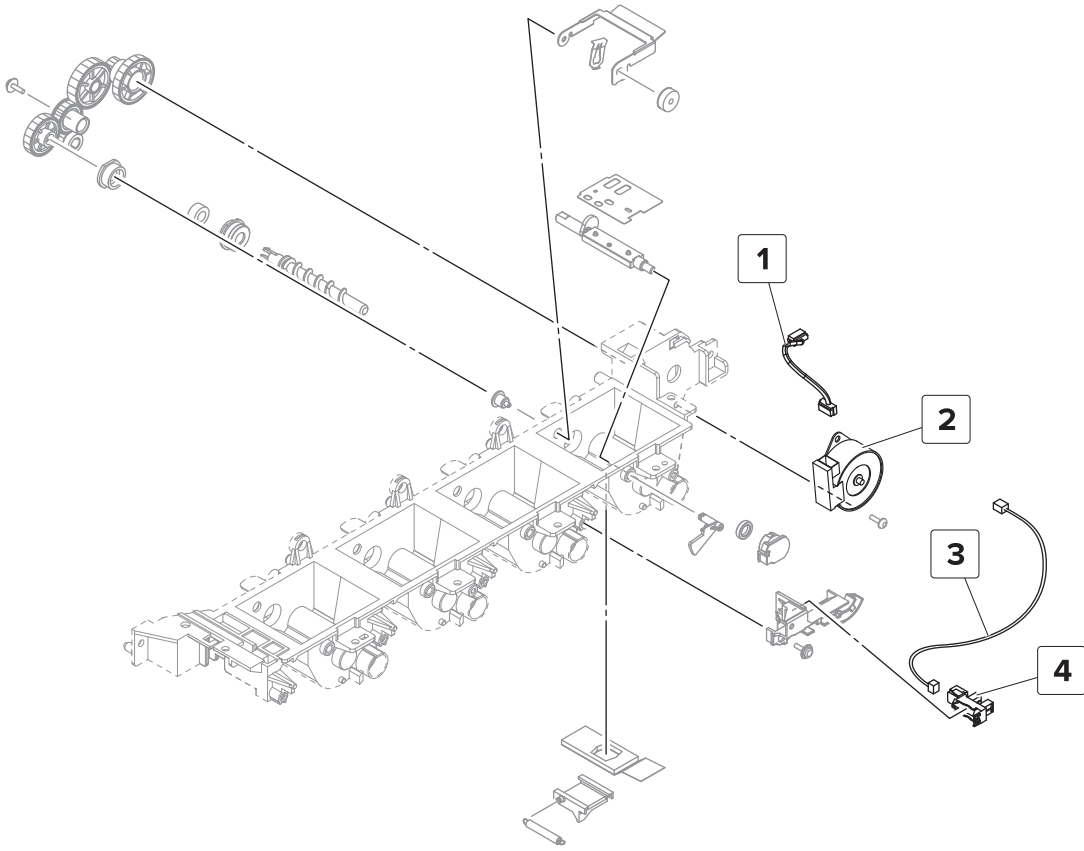
Assembly 7: Toner supply 1



Assembly 7: Toner supply 1

Asm-index	P/N	Units/mach	Units/FRU	Description	Removal procedure
1	40X9313	1	1	Sensor (top front door)	“Sensor (top front door) removal” on page 278
2	40X9750	1	1	Toner cartridge relay contact cable	“Toner agitator removal” on page 282
3	40X8962	1	1	Toner cartridge contact	“Toner agitator removal” on page 282
4	40X8951	1	1	Toner agitator	“Toner agitator removal” on page 282

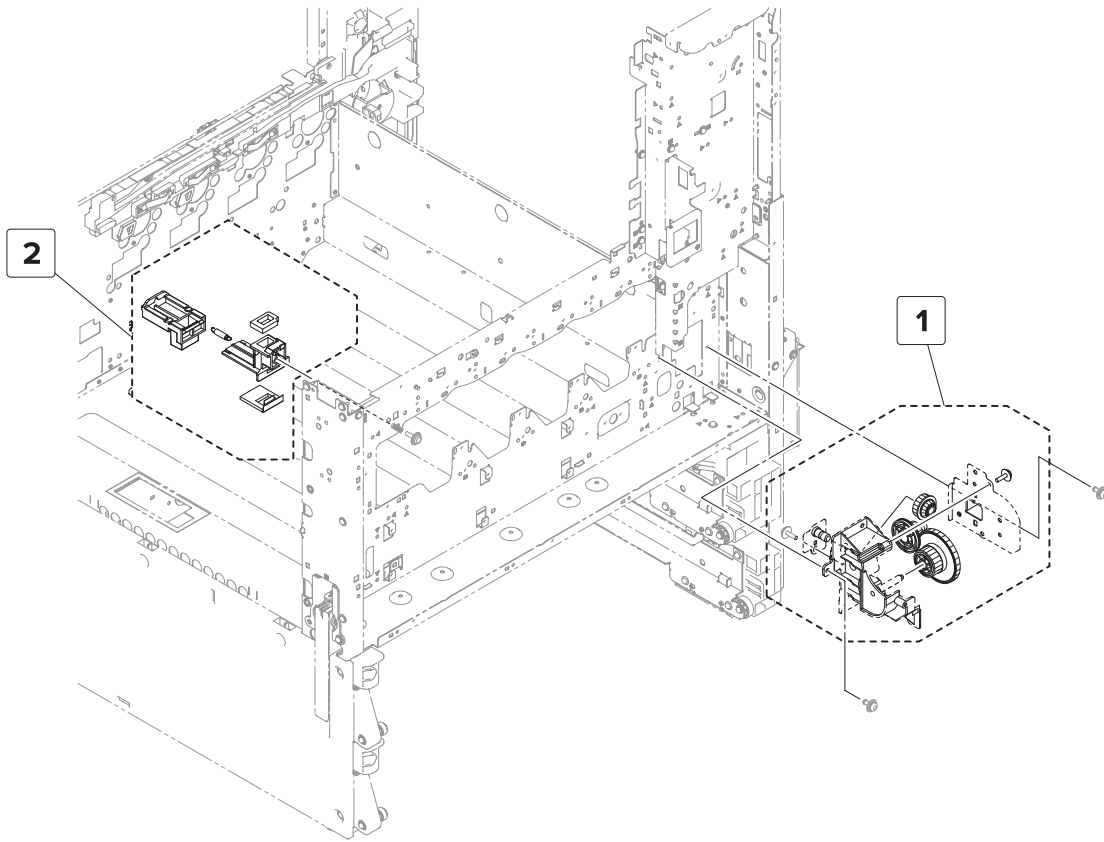
Assembly 8: Toner supply 2



Assembly 8: Toner supply 2

Asm-index	P/N	Units/mach	Units/FRU	Description	Removal procedure
1	40X8957	1	1	Toner supply motor cable	--
2	40X8956	1	1	Motor (toner supply)	“Motor (toner supply) removal” on page 279
3	40X9751	1	1	Toner cartridge present sensor cable	--
4	40X8869	1	1	Sensor (toner cartridge present)	“Sensor (toner cartridge present) removal” on page 281

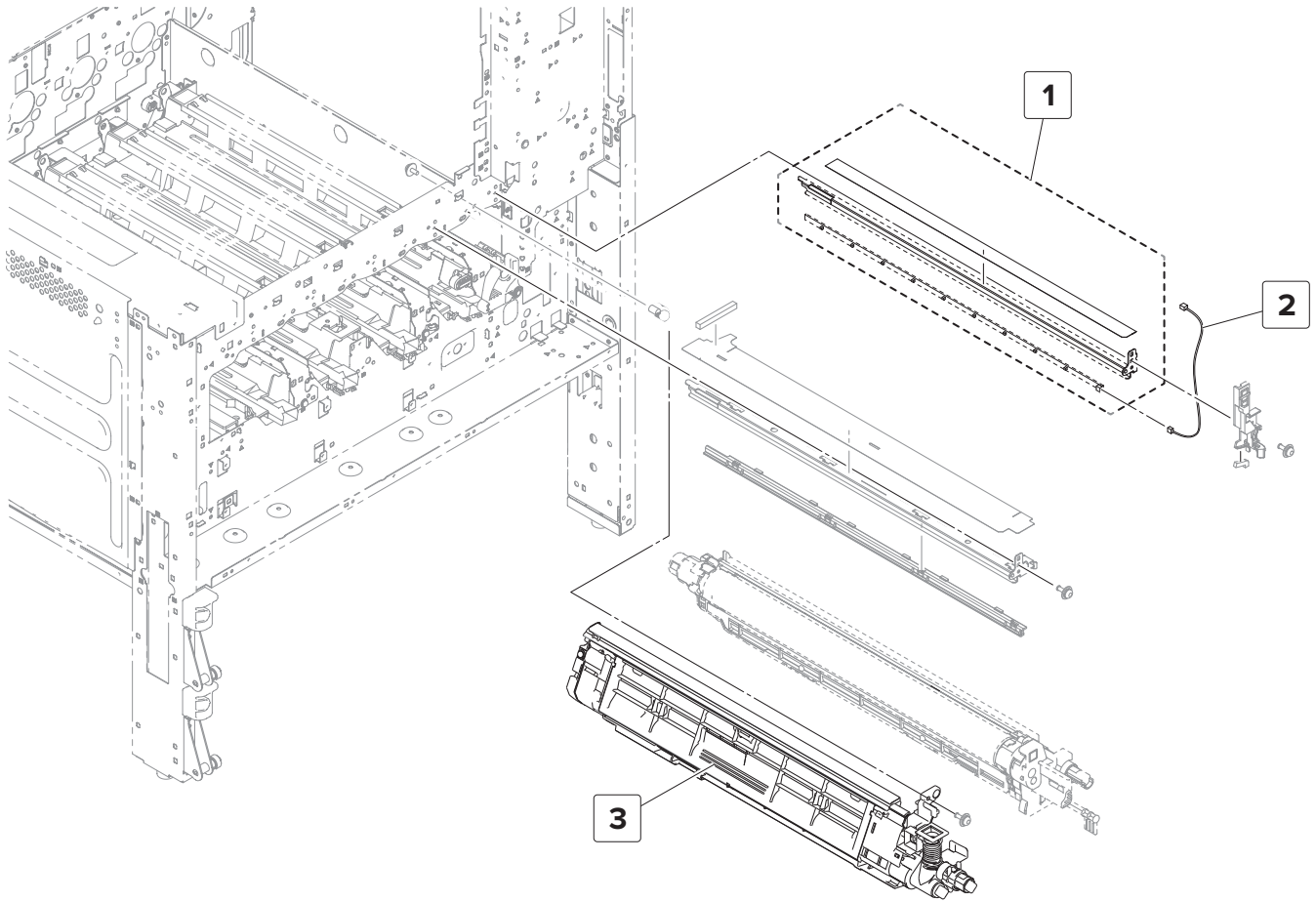
Assembly 9: Waste toner



Assembly 9: Waste toner

Asm-index	P/N	Units/mach	Units/FRU	Description	Removal procedure
1	40X8958	1	1	Waste toner drive	“Waste toner drive removal” on page 280
2	40X8959	1	1	Waste toner duct	--

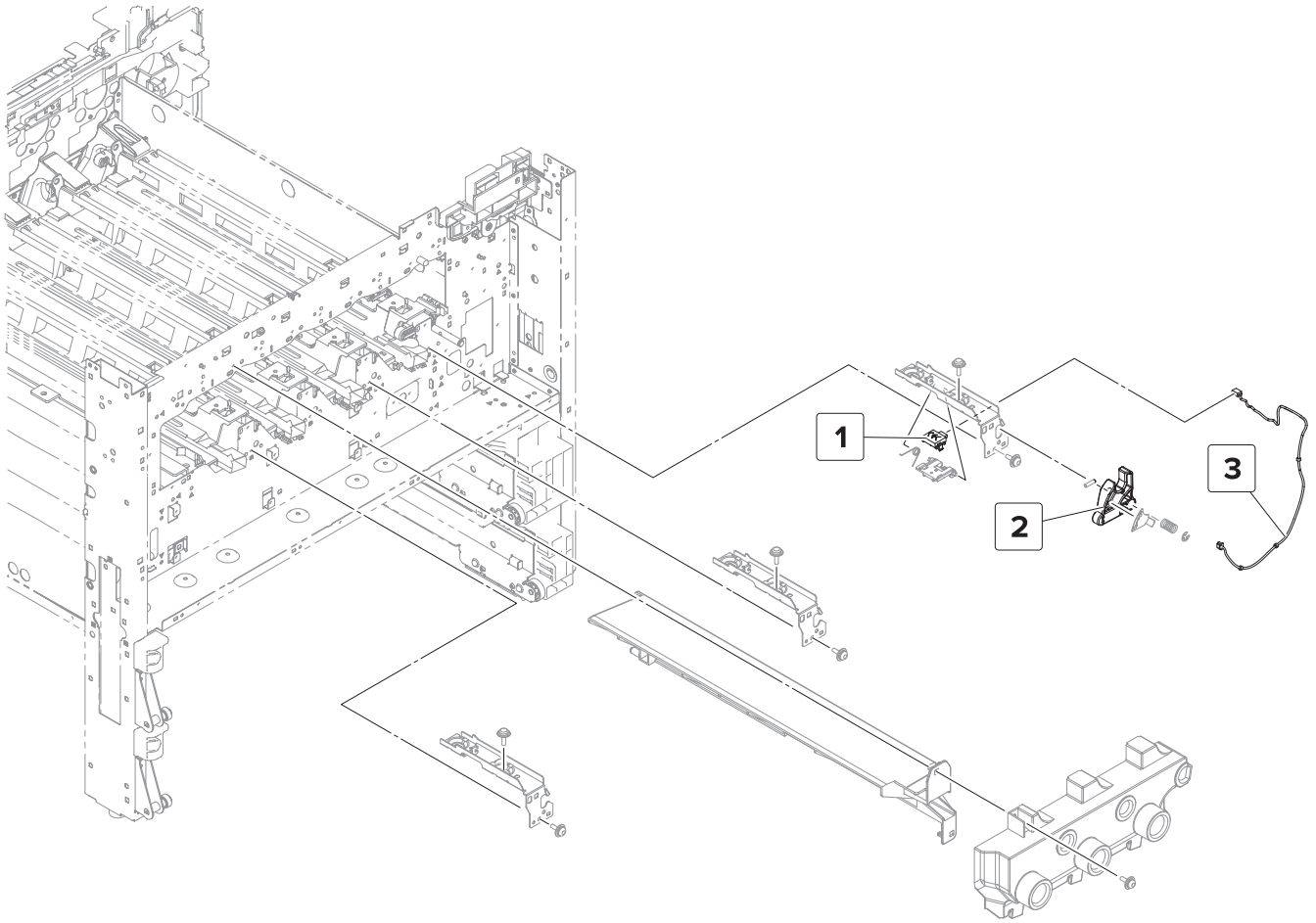
Assembly 10: Developer



Assembly 10: Developer

Asm-index	P/N	Units/mach	Units/FRU	Description	Removal procedure
1	40X8960	1	1	Erase LED	--
2	40X9977	1	1	Erase LED cable	--
3	40X9936	1	1	Developer unit	"Developer unit removal" on page 283

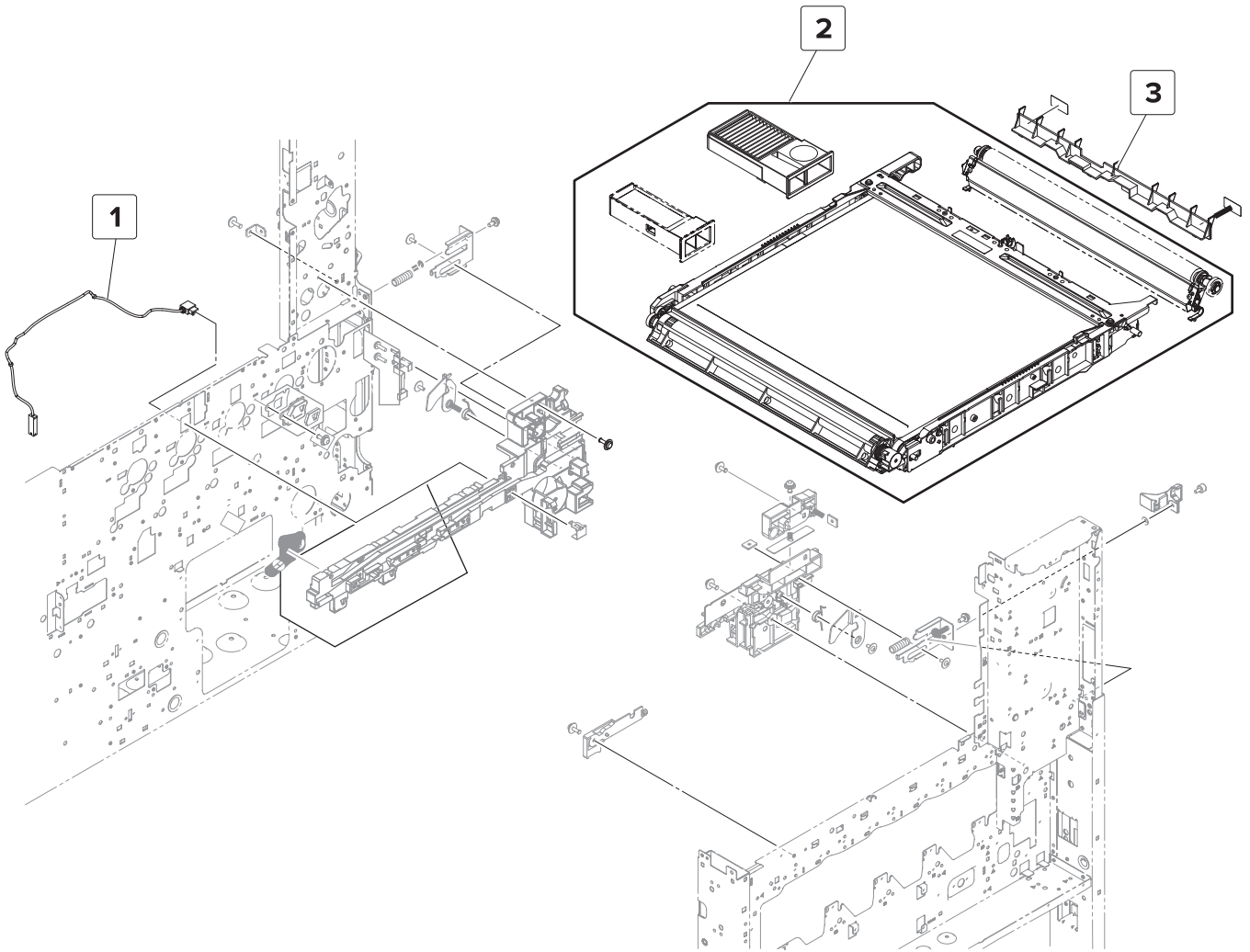
Assembly 11: Photoconductor lock



Assembly 11: Photoconductor lock

Asm-index	P/N	Units/mach	Units/FRU	Description	Removal procedure
1	40X8962	1	1	Photoconductor relay contact	--
2	40X9978	1	1	Photoconductor release lever	--
3	40X8961	1	1	Photoconductor cable	--

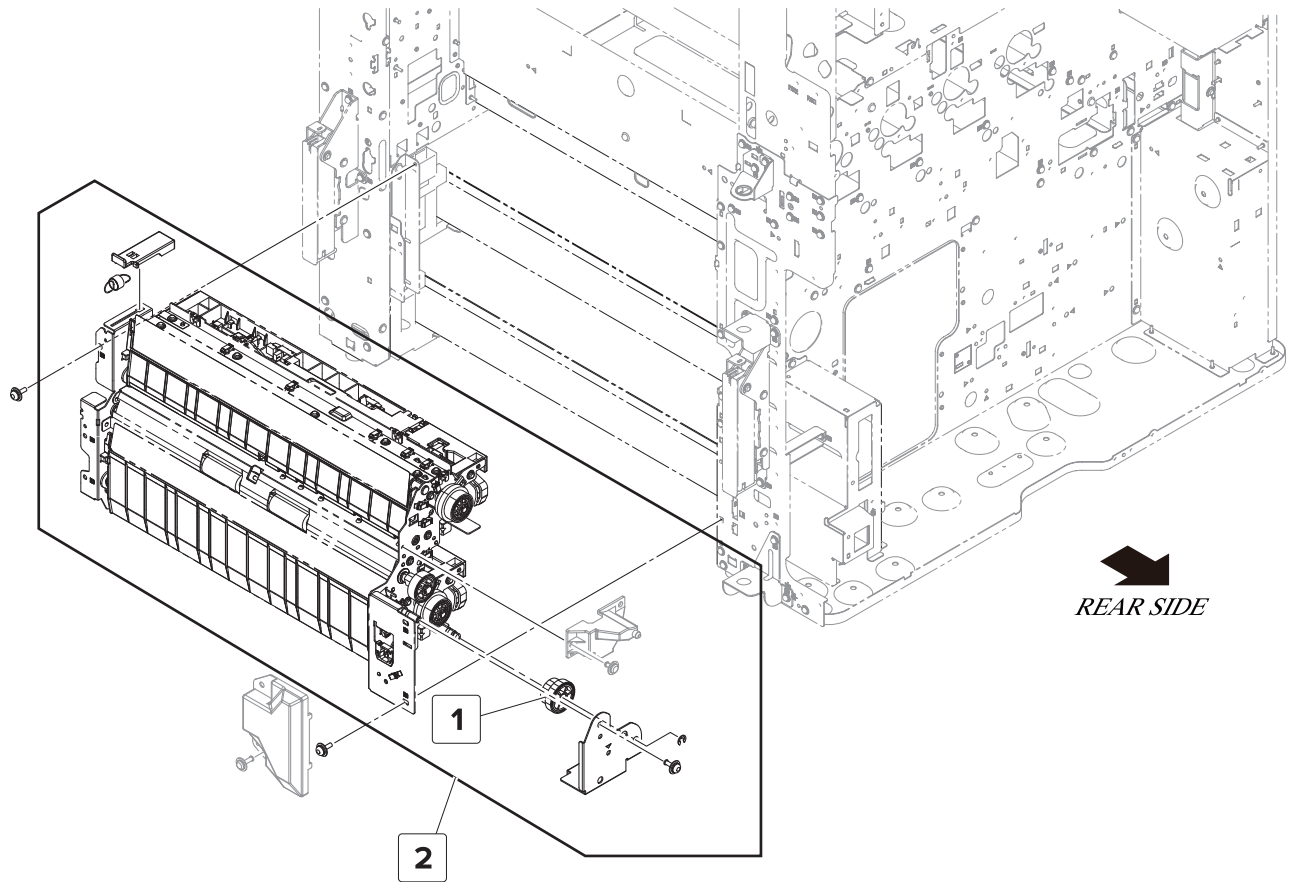
Assembly 12: Transfer belt



Assembly 12: Transfer belt

Asm-index	P/N	Units/mach	Units/FRU	Description	Removal procedure
1	40X8963	1	1	Transfer belt cable	--
2	40X9704	1	1	Imaging unit maintenance kit	--
3	40X9979	1	1	Transfer belt paper guide	--

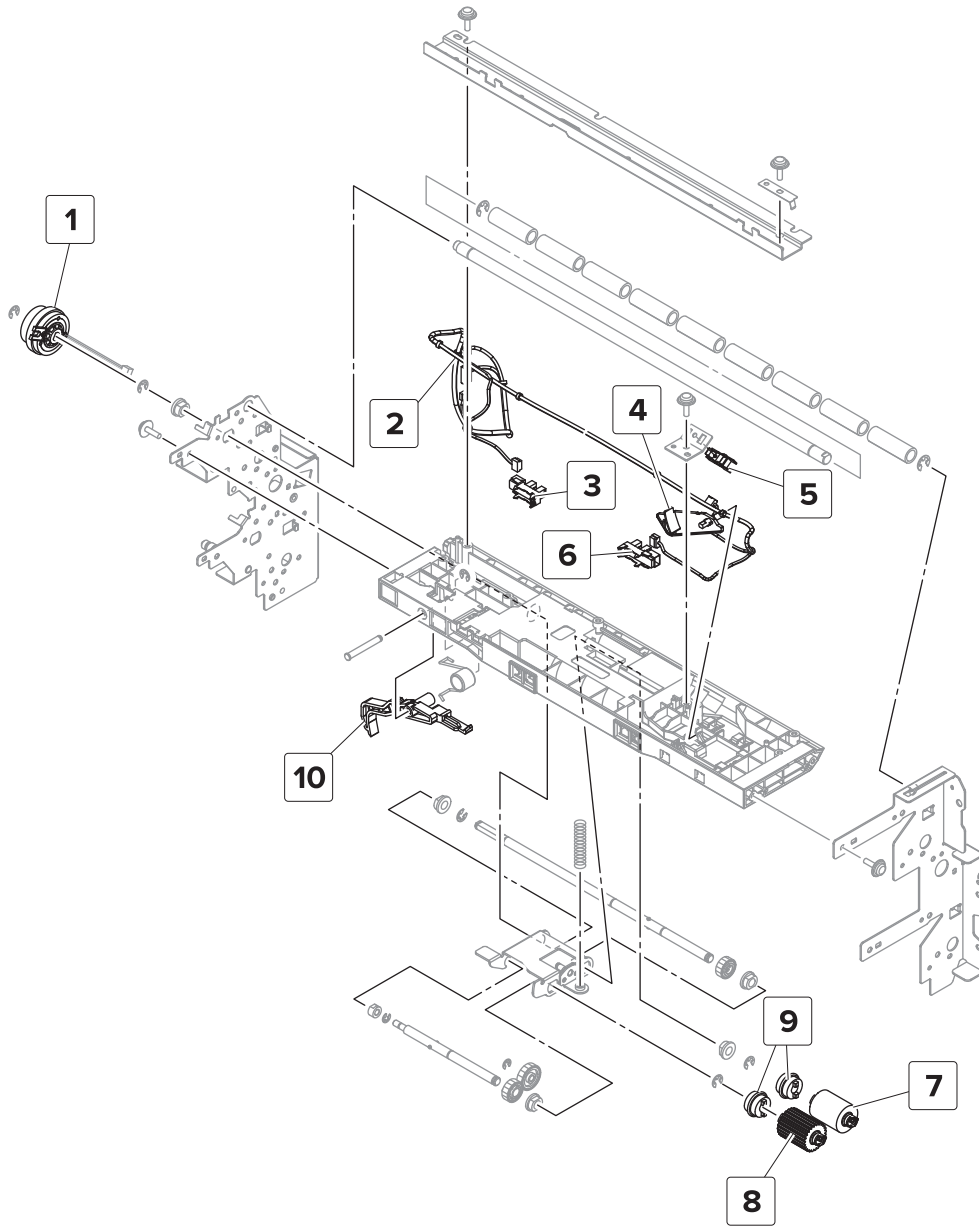
Assembly 13: Tray 1 and 2 transport



Assembly 13: Tray 1 and 2 transport

Asm-index	P/N	Units/mach	Units/FRU	Description	Removal procedure
1	40X9980	1	1	Tray 2 transport drive gear	--
2	40X8966	1	1	Tray 1 and 2 paper feed unit	--

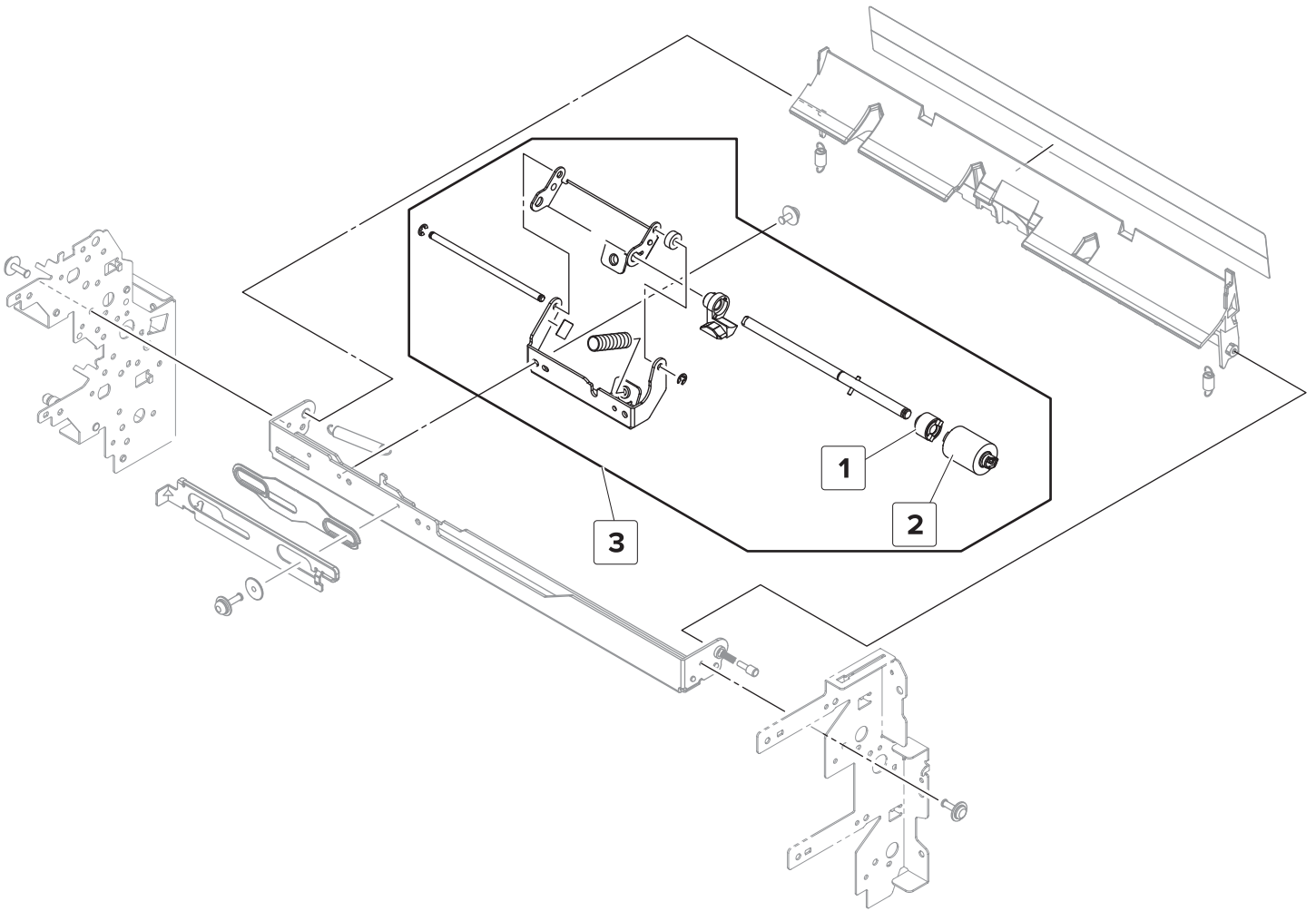
Assembly 14: Tray 1 feed



Assembly 14: Tray 1 feed

Asm-index	P/N	Units/mach	Units/FRU	Description	Removal procedure
1	40X8971	1	1	Tray 1 paper feed clutch	--
2	40X8972	1	1	Tray 1 sensor cables	--
3	40X8869	1	1	Sensor (tray 1 lift plate level)	--
4	40X9899	1	1	Tray empty sensor actuator	--
5	40X8968	1	1	Sensor (tray 1 paper feed)	--
6	40X8869	1	1	Sensor (tray 1 empty)	--
7	40X8970	1	1	Tray feed roller	--
8	40X9925	1	1	Tray pick roller	--
9	40X9981	2	1	Roller clutch	--
10	40X9982	1	1	Tray set actuator	--

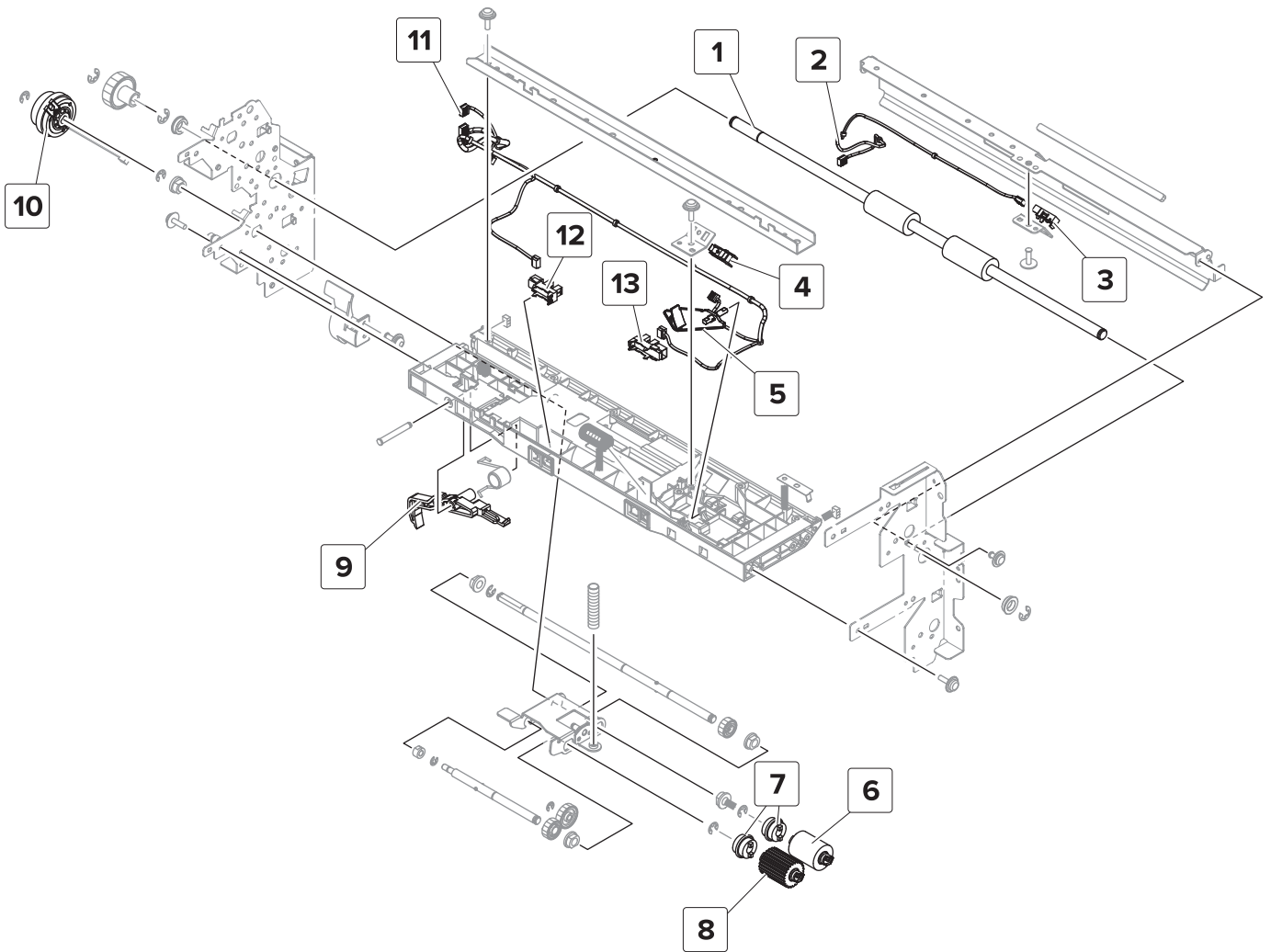
Assembly 15: Tray 1 separator



Assembly 15: Tray 1 separator

Asm-index	P/N	Units/mach	Units/FRU	Description	Removal procedure
1	40X9455	1	1	Roller clutch	--
2	40X8970	1	1	Separator roller	--
3	40X9927	1	1	Separator roller assembly	--

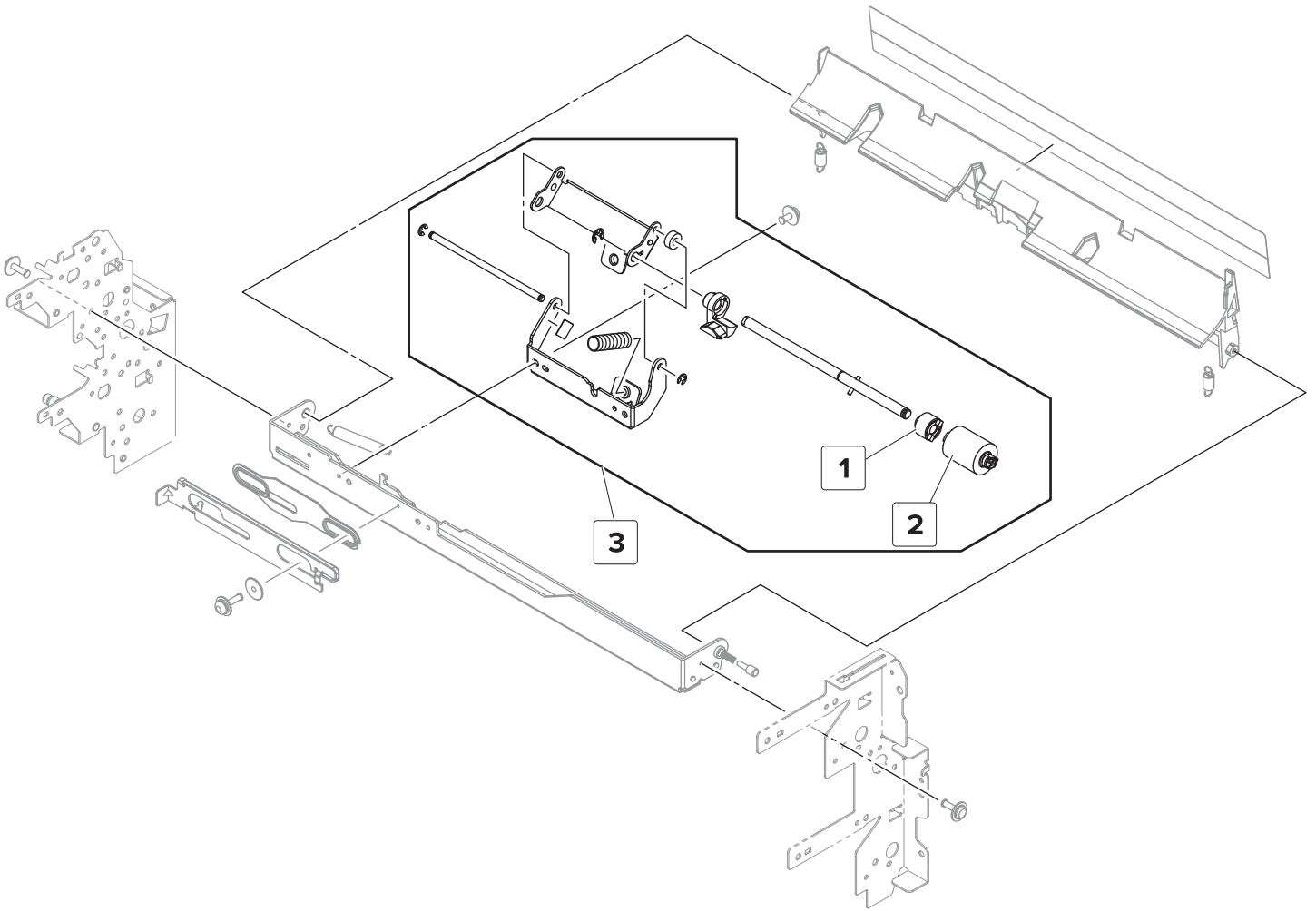
Assembly 16: Tray 2 feed



Assembly 16: Tray 2 feed

Asm-index	P/N	Units/mach	Units/FRU	Description	Removal procedure
1	40X9983	1	1	Tray 2 transport roller	--
2	40X9984	1	1	Tray 2 transport sensor cable	--
3	40X8968	1	1	Sensor (tray 2 transport)	--
4	40X8968	1	1	Sensor (tray 2 paper feed)	--
5	40X9899	1	1	Tray 2 empty sensor actuator	--
6	40X8970	1	1	Feed roller	--
7	40X9981	2	1	Roller clutch	--
8	40X9925	1	1	Pick roller	--
9	40X9982	1	1	Tray set actuator	--
10	40X8971	1	1	Tray 2 paper feed clutch	--
11	40X9987	1	1	Paper feed sensor cable	--
12	40X8869	1	1	Sensor (tray 2 lift plate level)	--
13	40X8869	1	1	Sensor (tray 2 empty)	--

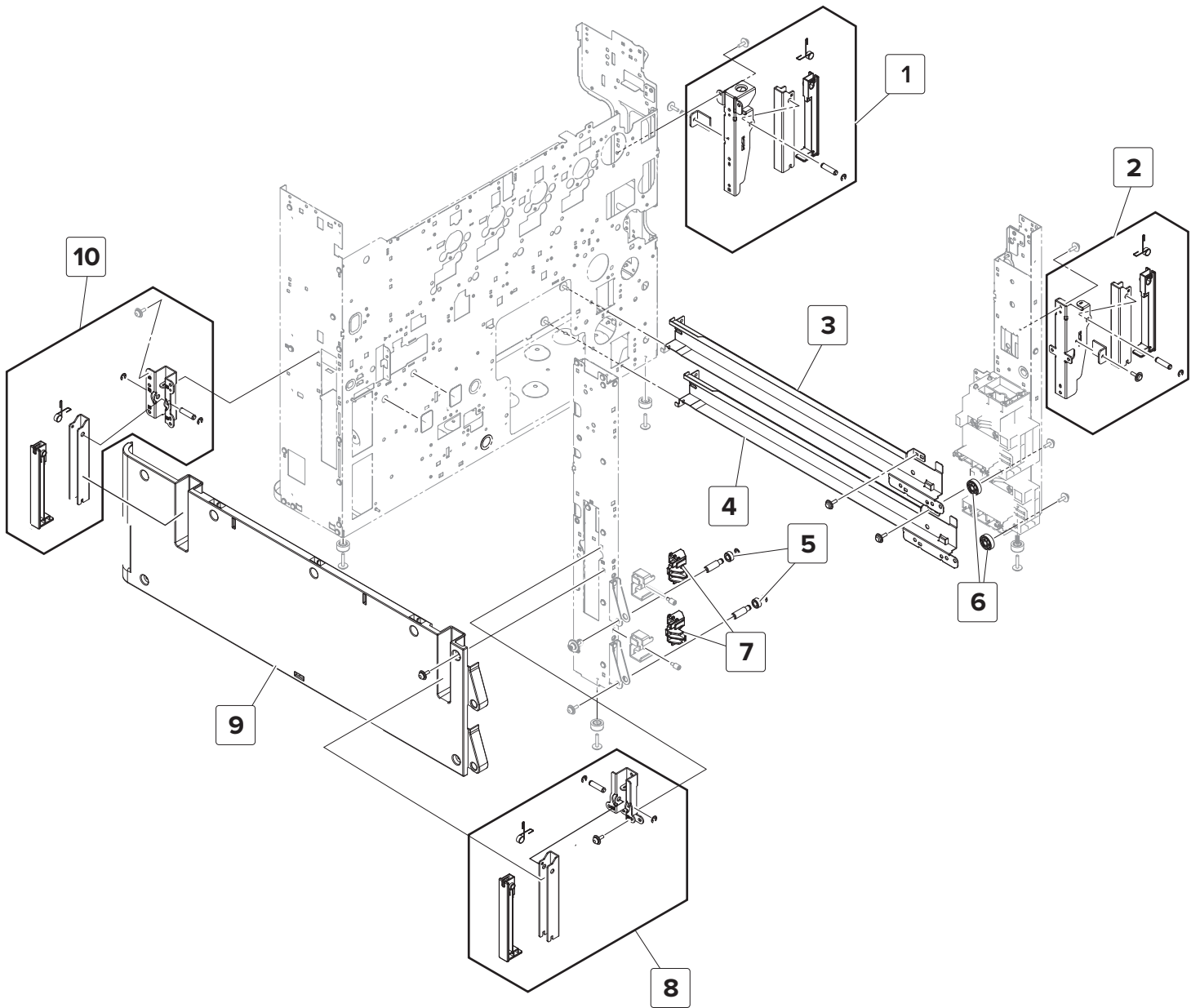
Assembly 17: Tray 2 separator



Assembly 17: Tray 2 separator

Asm-index	P/N	Units/mach	Units/FRU	Description	Removal procedure
1	40X9455	1	1	Roller clutch	--
2	40X8970	1	1	Separator roller	--
3	40X9927	1	1	Separator roller assembly	--

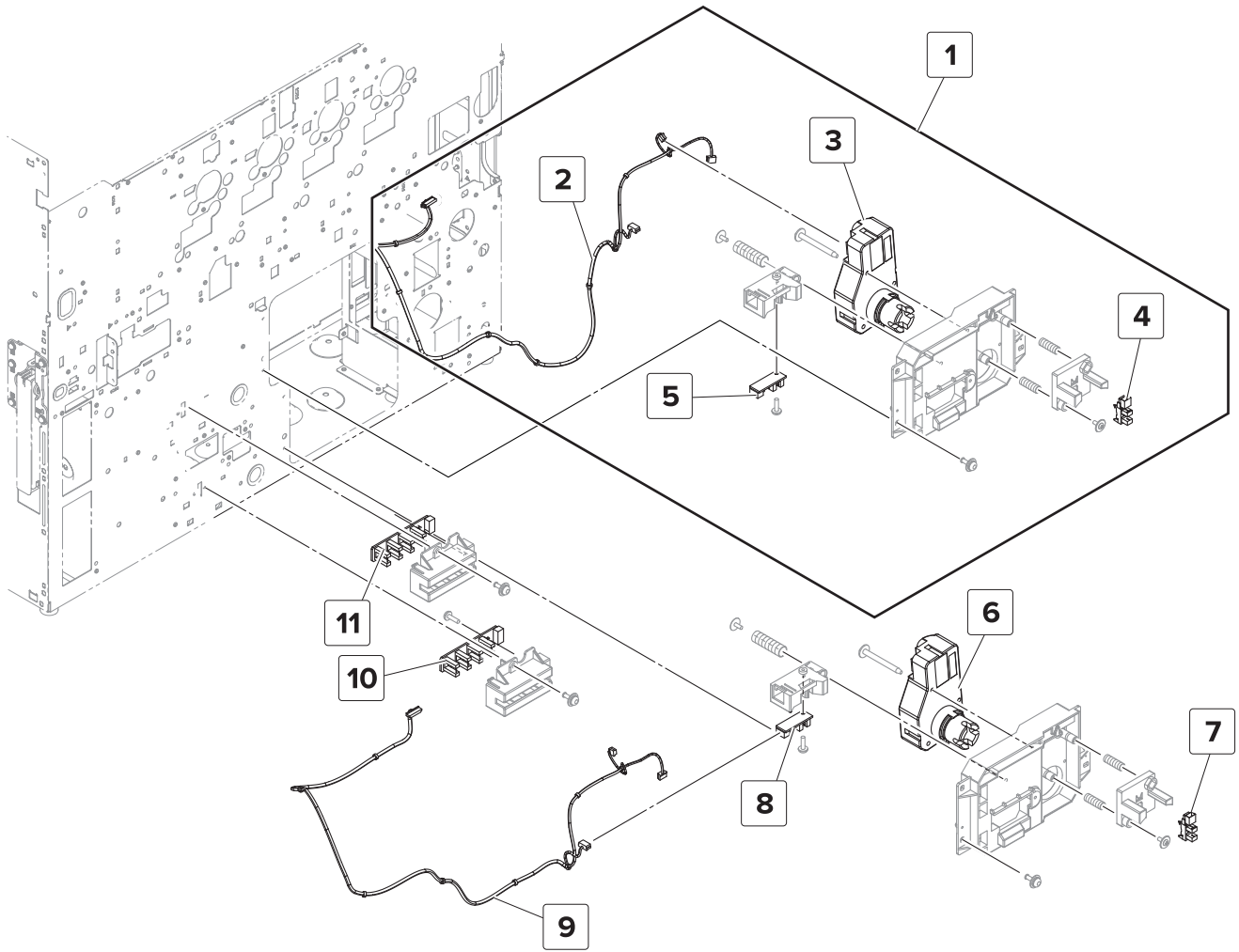
Assembly 18: Tray rail



Assembly 18: Tray rail

Asm-index	P/N	Units/mach	Units/FRU	Description	Removal procedure
1	40X8978	1	1	Rear right lift handle	--
2	40X8977	1	1	Front right lift handle	--
3	40X8982	1	1	Tray 1 insert rail	--
4	40X8982	1	1	Tray 2 insert rail	--
5	40X9305	2	1	Tray left rail guide wheel	--
6	40X8981	2	1	Tray right rail guide wheel	--
7	40X9989	1	1	Tray stopper	--
8	40X8979	1	1	Front left lift handle	--
9	40X9988	1	1	Tray base left cover	--
10	40X8980	1	1	Rear left lift handle	--

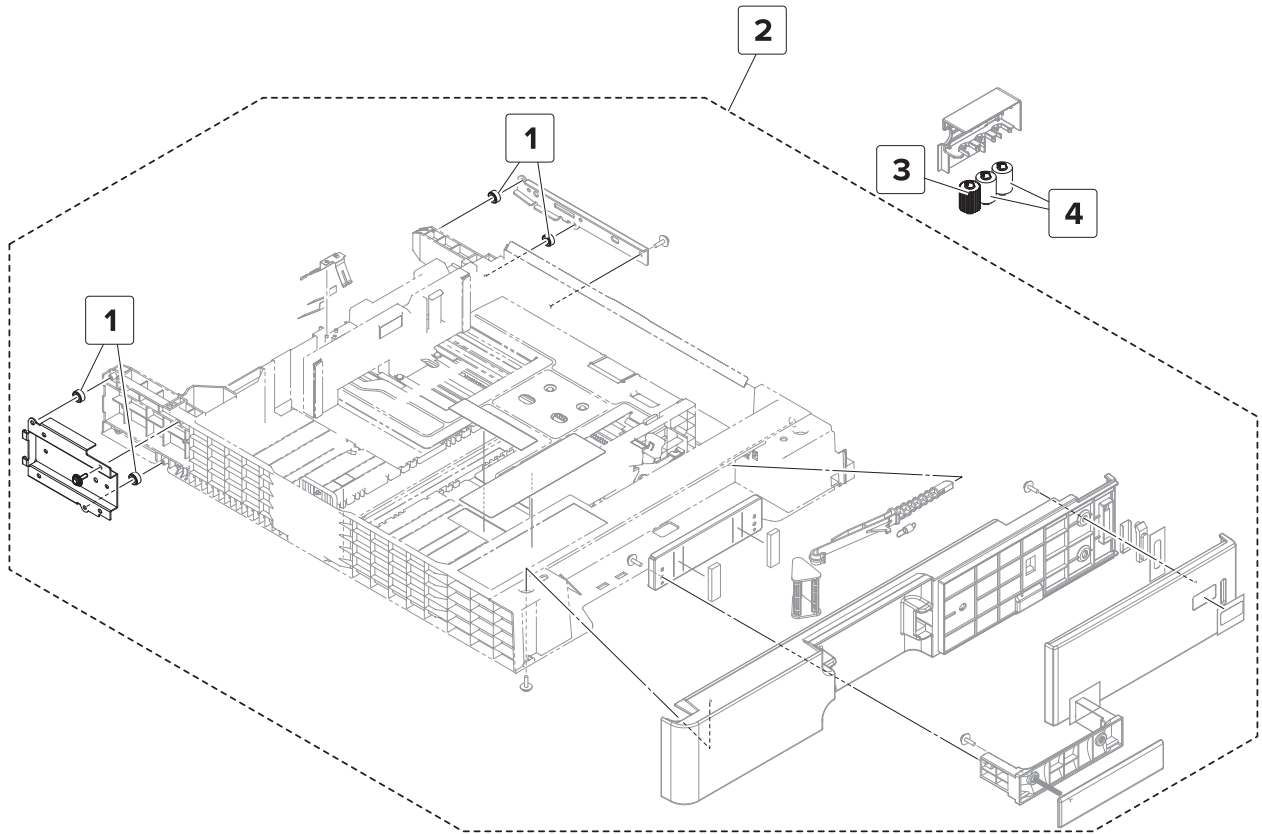
Assembly 19: Tray paper detection



Assembly 19: Tray paper detection

Asm-index	P/N	Units/mach	Units/FRU	Description	Removal procedure
1	40X8988	1	1	Tray size sensing assembly	--
2	40X8984	2	1	Tray 1 feed cable	--
3	40X8987	1	1	Motor (tray 1 lift)	--
4	40X8869	1	1	Sensor (tray 1 near empty)	--
5	40X8989	1	1	Sensor (tray 1 paper width)	--
6	40X8987	1	1	Motor (tray 2 lift)	--
7	40X8869	1	1	Sensor (tray 2 near empty)	--
8	40X8989	1	1	Sensor (tray 2 paper width)	--
9	40X8984	2	1	Tray 2 feed cable	--
10	40X8985	1	1	Sensor (tray 2 paper length)	--
11	40X8985	1	1	Sensor (tray 1 paper length)	--

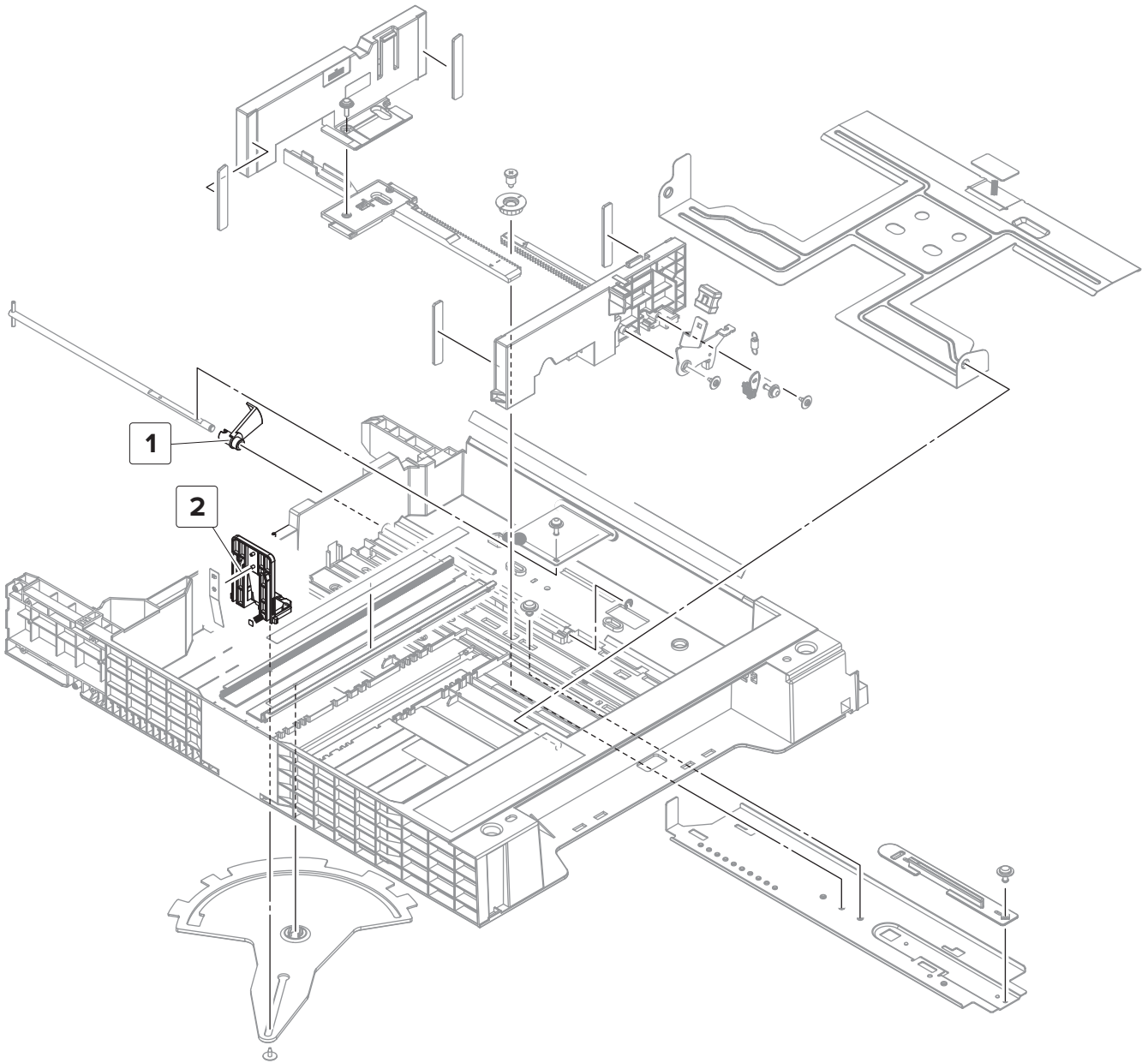
Assembly 20: Tray insert 1



Assembly 20: Tray insert 1

Asm-index	P/N	Units/mach	Units/FRU	Description	Removal procedure
1	40X9305	4	1	Tray insert guide wheel	--
2	40X8990	1	1	Tray 1 insert	--
3	40X9925	1	1	Pick roller	--
4	40X8970	2	1	Feed/separator roller	--

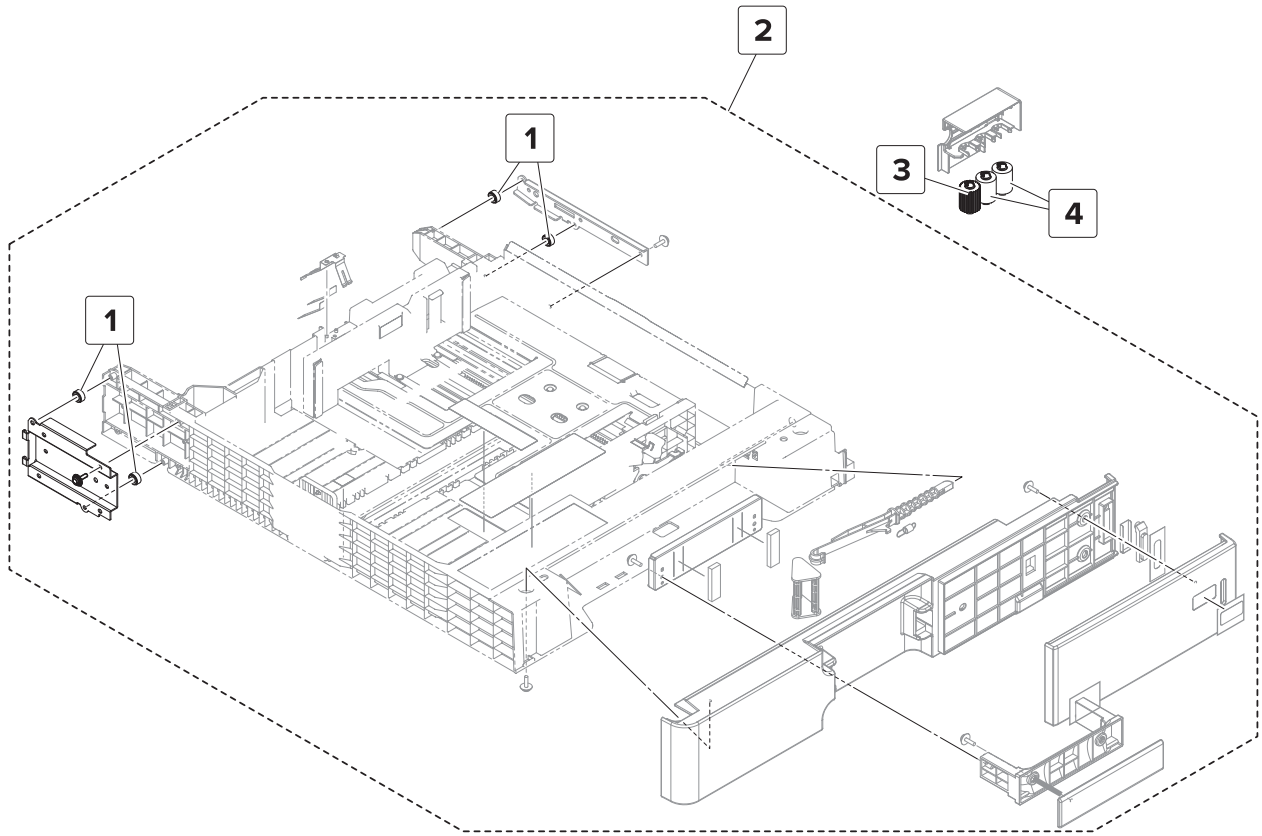
Assembly 21: Tray insert 2



Assembly 21: Tray insert 2

Asm-index	P/N	Units/mach	Units/FRU	Description	Removal procedure
1	40X9308	1	1	Tray near empty sensor actuator	--
2	40X9306	1	1	Tray paper length guide	--

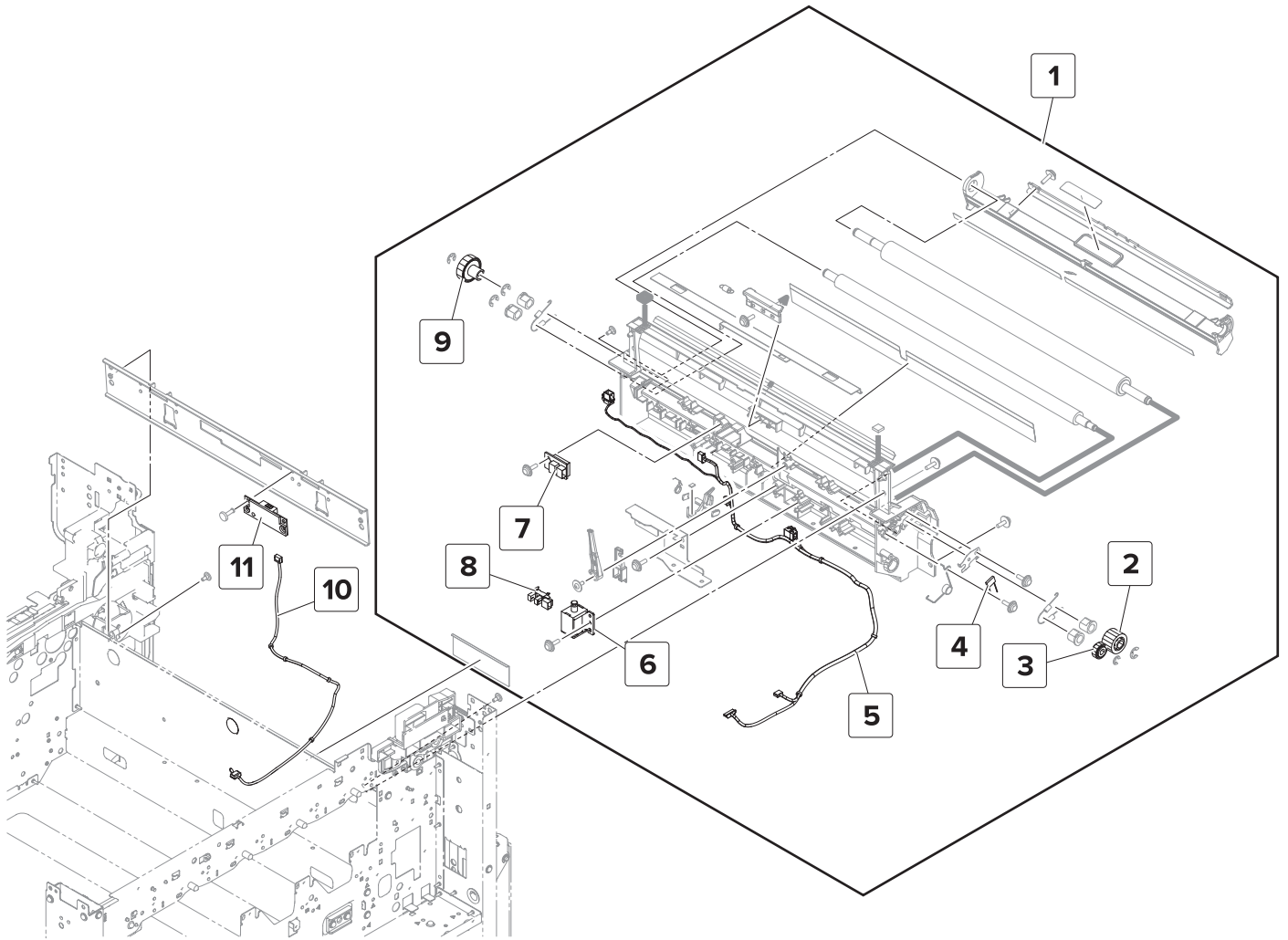
Assembly 22: Tray insert 3



Assembly 22: Tray insert 3

Asm-index	P/N	Units/mach	Units/FRU	Description	Removal procedure
1	40X9305	4	1	Tray insert guide wheel	--
2	40X8992	1	1	Tray 2 insert	--
3	40X9925	1	1	Pick roller	--
4	40X8970	2	1	Feed/separator roller	--

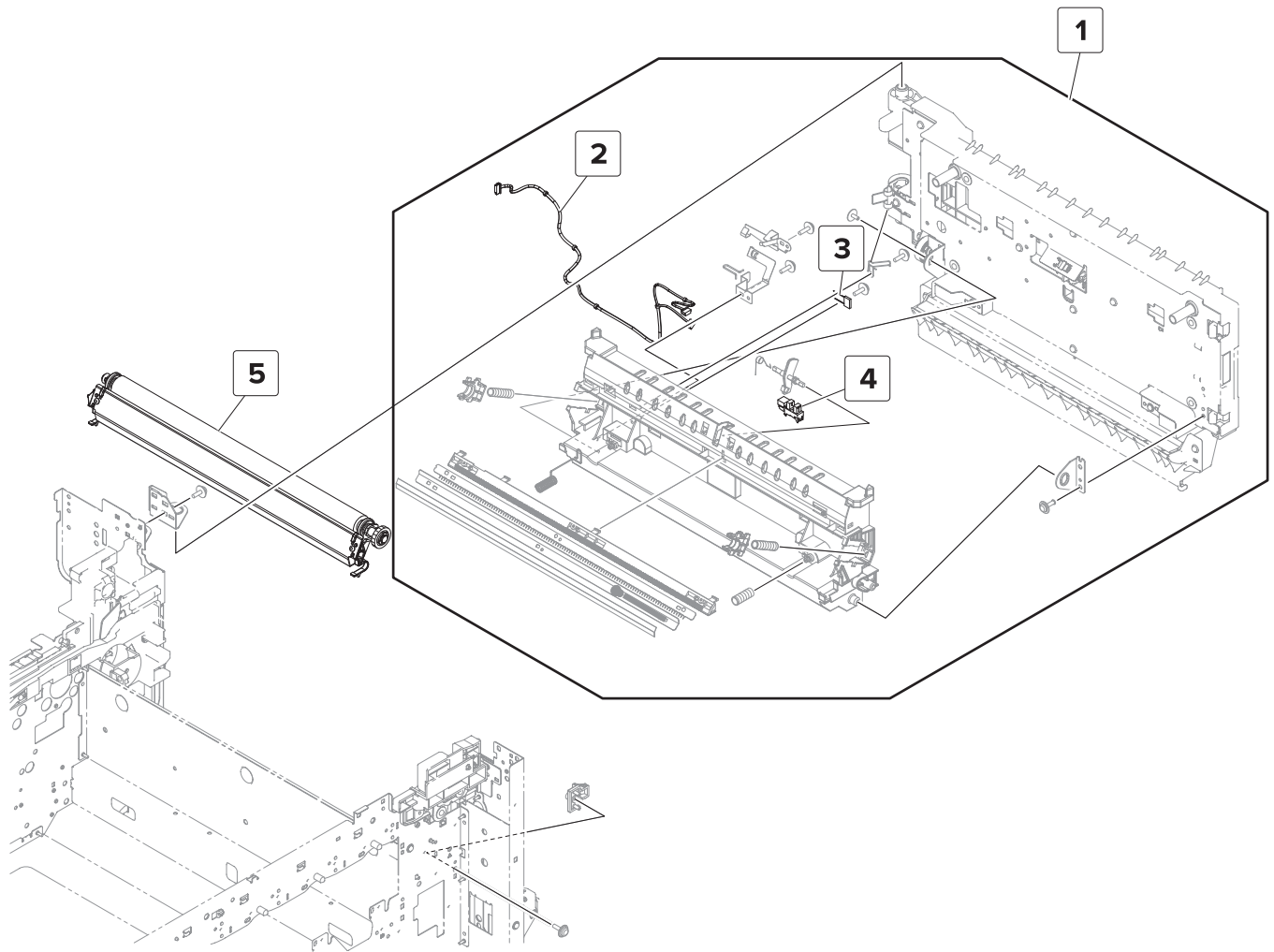
Assembly 23: Registration transport



Assembly 23: Registration transport

Asm-index	P/N	Units/mach	Units/FRU	Description	Removal procedure
1	40X8994	1	1	Registration transport assembly	“Registration transport assembly” on page 231
2	40X9706	1	1	Registration primary gear	--
3	40X9707	1	1	Registration secondary gear	--
4	40X9009	1	1	Registration roller fixed power resistor	--
5	40X9007	1	1	Registration cable	--
6	40X8998	1	1	Toner density solenoid	--
7	40X8997	1	1	Sensor (registration humidity)	--
8	40X8869	1	1	Sensor (registration)	--
9	40X8995	1	1	Registration motor gear	--
10	40X9708	1	1	Toner density sensor cable	--
11	40X8999	1	1	Sensor (toner density)	--

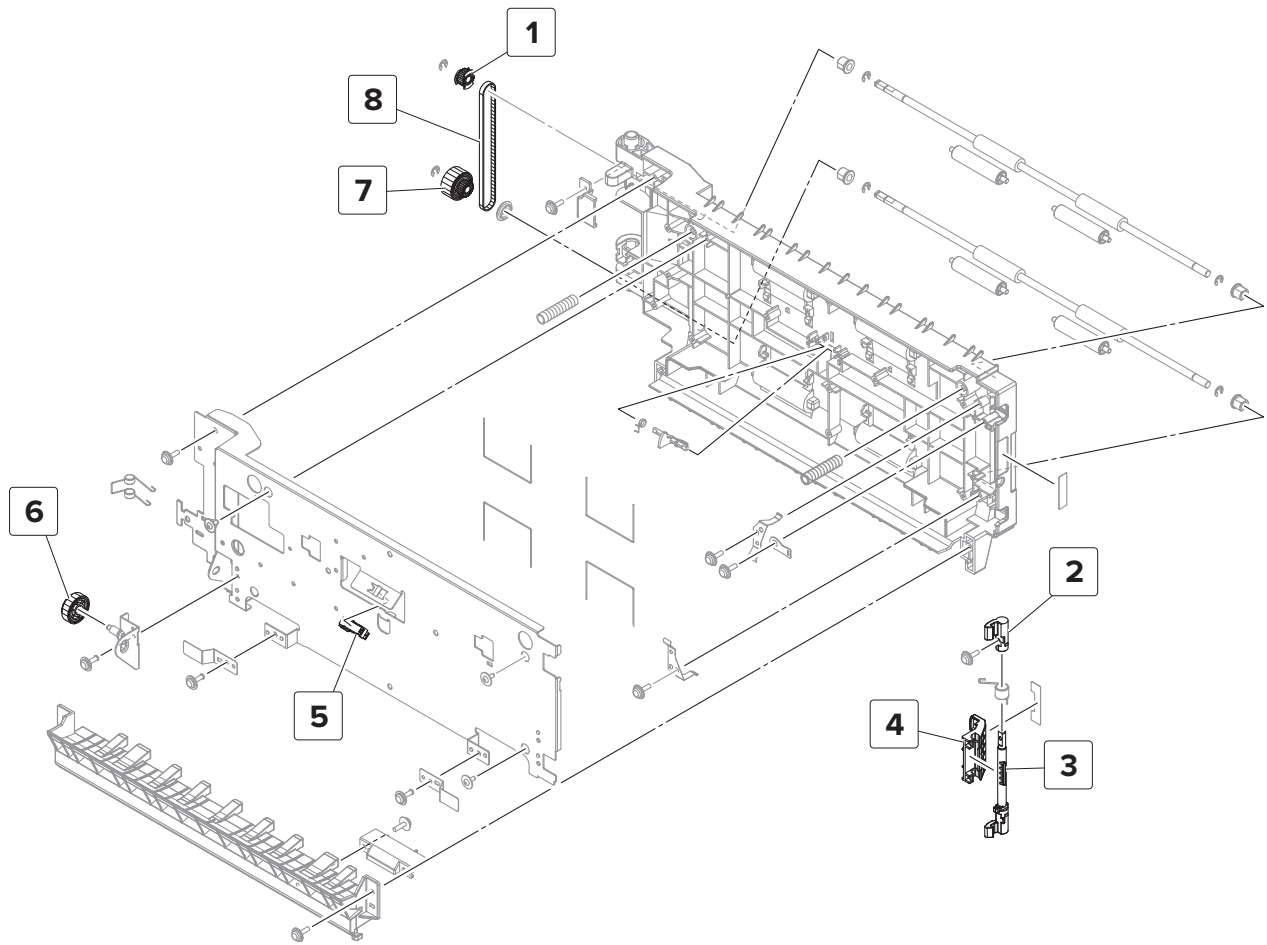
Assembly 24: Transfer



Assembly 24: Transfer

Asm-index	P/N	Units/mach	Units/FRU	Description	Removal procedure
1	40X9011	1	1	Registration unit assembly	“Registration unit assembly removal” on page 263
2	40X9990	1	1	Fusing speed sensor cable	--
3	40X9009	1	1	Fuser fixed power resistor	--
4	40X8869	1	1	Sensor (fusing speed)	“Sensor (fusing speed) removal” on page 267
5	40X9010	1	1	Transfer roller	“Transfer roller removal” on page 234

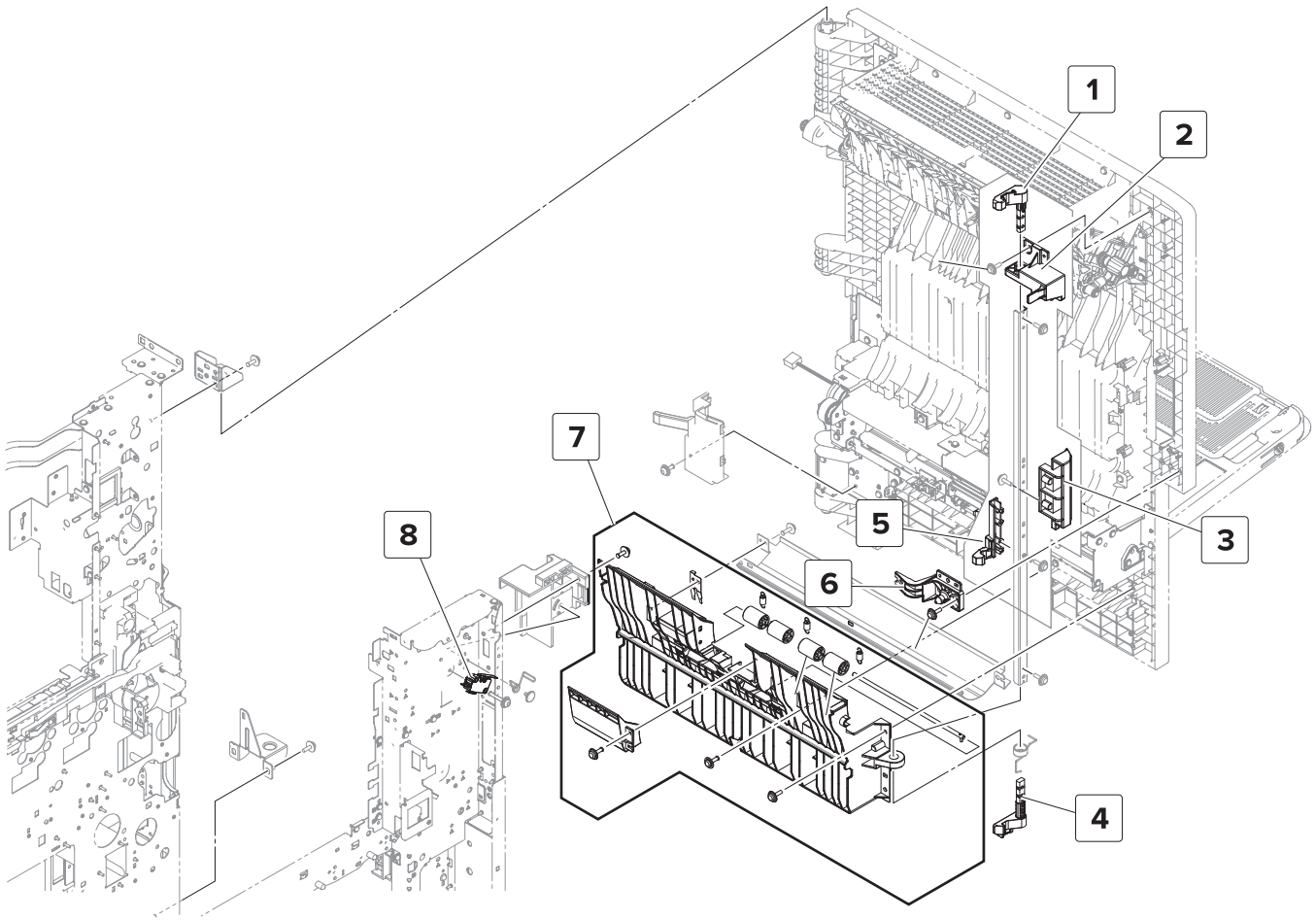
Assembly 25: Registration unit



Assembly 25: Registration unit

Asm-index	P/N	Units/mach	Units/FRU	Description	Removal procedure
1	40X9012	1	1	Registration unit gear	“Registration unit gears removal” on page 270
2	40X9992	1	1	Registration unit lock	“Registration unit lock removal” on page 271
3	40X9993	1	1	Registration unit lock shaft	“Registration unit lock removal” on page 271
4	40X9994	1	1	Registration unit handle	“Registration unit lock removal” on page 271
5	40X8869	1	1	Sensor (duplex pass through 2)	“Sensor (duplex pass through 2) removal” on page 268
6	40X9710	1	1	Lower registration gear	“Registration unit gears removal” on page 270
7	40X9991	1	1	Registration drive gear	“Registration unit gears removal” on page 270
8	40X9013	1	1	Registration unit belt	“Registration unit belt removal” on page 269

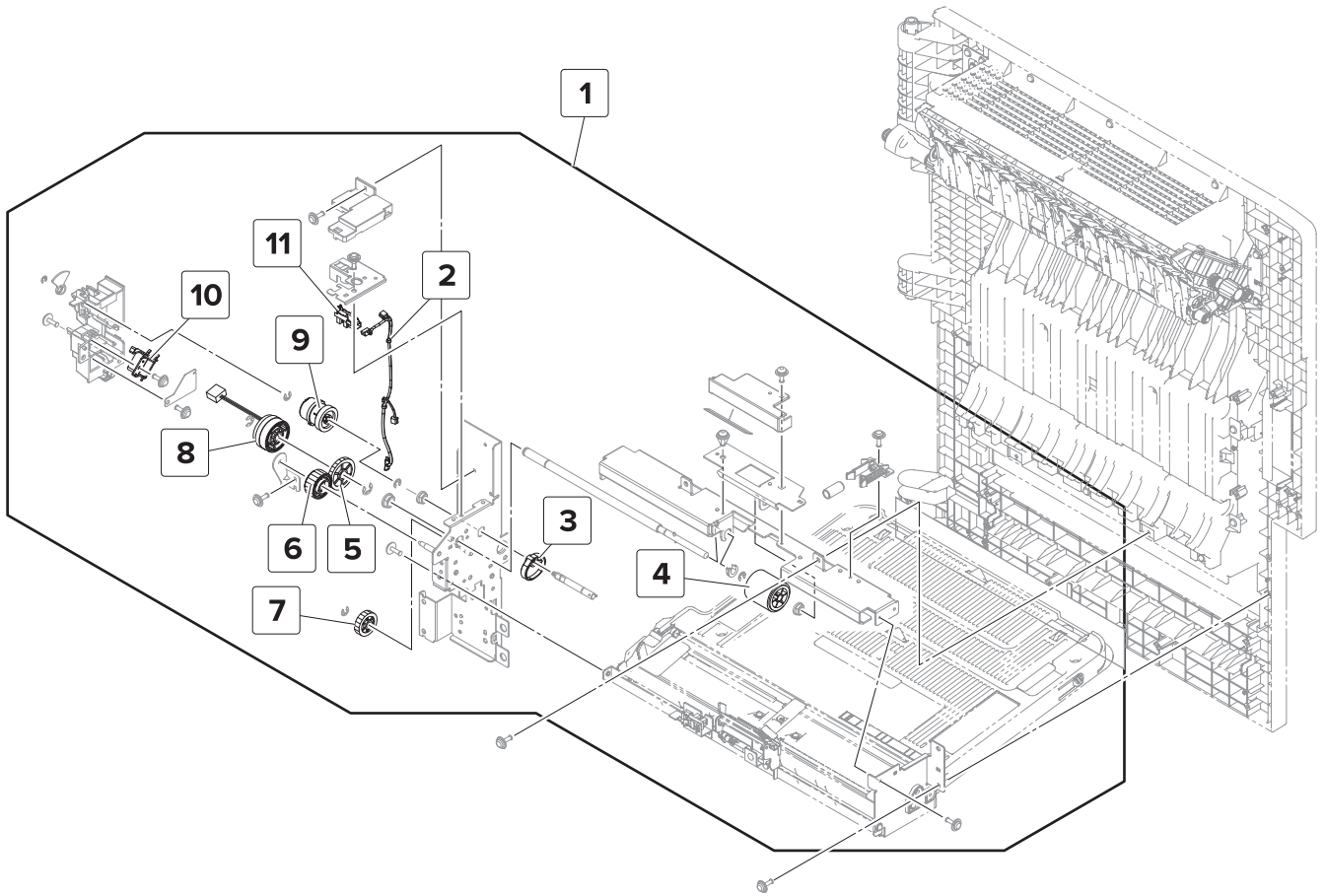
Assembly 26: Right door transport



Assembly 26: Right door transport

Asm-index	P/N	Units/mach	Units/FRU	Description	Removal procedure
1	40X9019	1	1	Right door upper lock	“Right door lock removal” on page 245
2	40X9020	1	1	Right door switch actuator	“Right door switch actuator removal” on page 262
3	40X9711	1	1	Right door handle	--
4	40X9713	1	1	Right door lower lock	“Right door lock removal” on page 245
5	40X9712	1	1	Right door middle lock	“Right door lock removal” on page 245
6	40X9715	1	1	Right door lock support	“Right door lock removal” on page 245
7	40X8920	1	1	Tray 2 transport guide	“Tray 2 transport guide” on page 246
8	40X9527	1	1	Right door switch	“Right door switch removal” on page 284

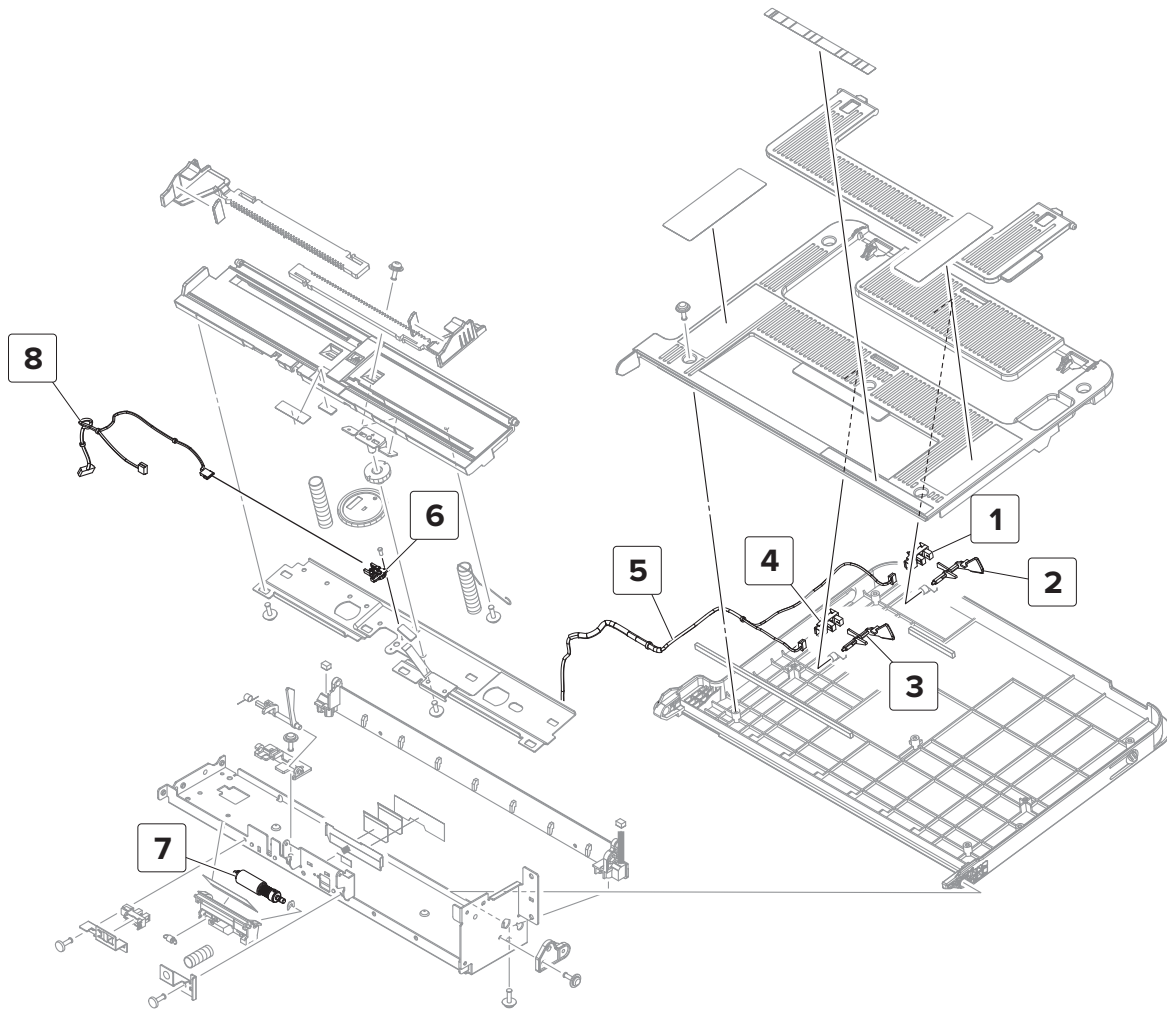
Assembly 27: MPF 1



Assembly 27: MPF 1

Asm-index	P/N	Units/mach	Units/FRU	Description	Removal procedure
1	40X9027	1	1	MPF	“MPF removal” on page 247
2	40X9716	1	1	MPF lift plate sensor cable	--
3	40X9996	1	1	MPF lift plate cam	--
4	40X9995	1	1	MPF feed roller	“MPF feed/separator assembly” on page 256
5	40X9719	1	1	MPF feed clutch gear	“MPF gears removal” on page 252
6	40X9718	1	1	MPF separator idler gear	“MPF gears removal” on page 252
7	40X9022	1	1	MPF separator gear	“MPF gears removal” on page 252
8	40X9023	1	1	MPF feed clutch	“MPF feed clutch removal” on page 250
9	40X9720	1	1	MPF lift plate clutch	--
10	40X9024	1	1	MPF lift plate solenoid	“MPF lift plate solenoid removal” on page 251
11	40X8869	1	1	Sensor (MPF lift plate)	“Sensor (MPF lift plate) removal” on page 253

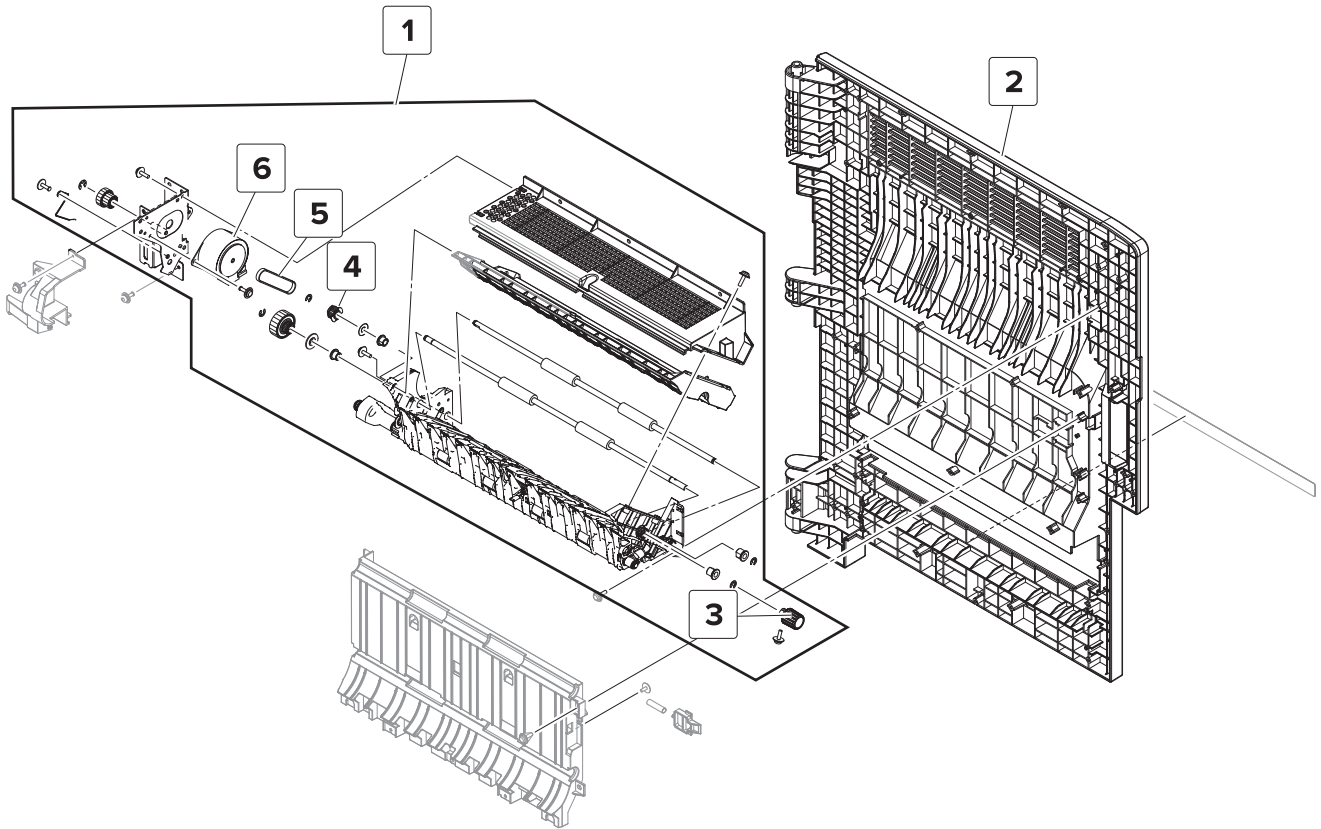
Assembly 28: MPF 2



Assembly 28: MPF 2

Asm-index	P/N	Units/mach	Units/FRU	Description	Removal procedure
1	40X8869	1	1	Sensor (MPF paper length 1)	“Sensor (MPF paper length) removal” on page 249
2	40X9026	2	1	MPF paper length 1 sensor actuator	--
3	40X9026	2	1	MPF paper length 2 sensor actuator	--
4	40X8869	1	1	Sensor (MPF paper length 2)	“Sensor (MPF paper length) removal” on page 249
5	40X9721	1	1	MPF paper length sensor cable	--
6	40X9030	1	1	Sensor (MPF paper width)	--
7	40X9615	1	1	MPF separator roller	“MPF feed/separator assembly” on page 256
8	40X9722	1	1	MPF paper width sensor cable	--

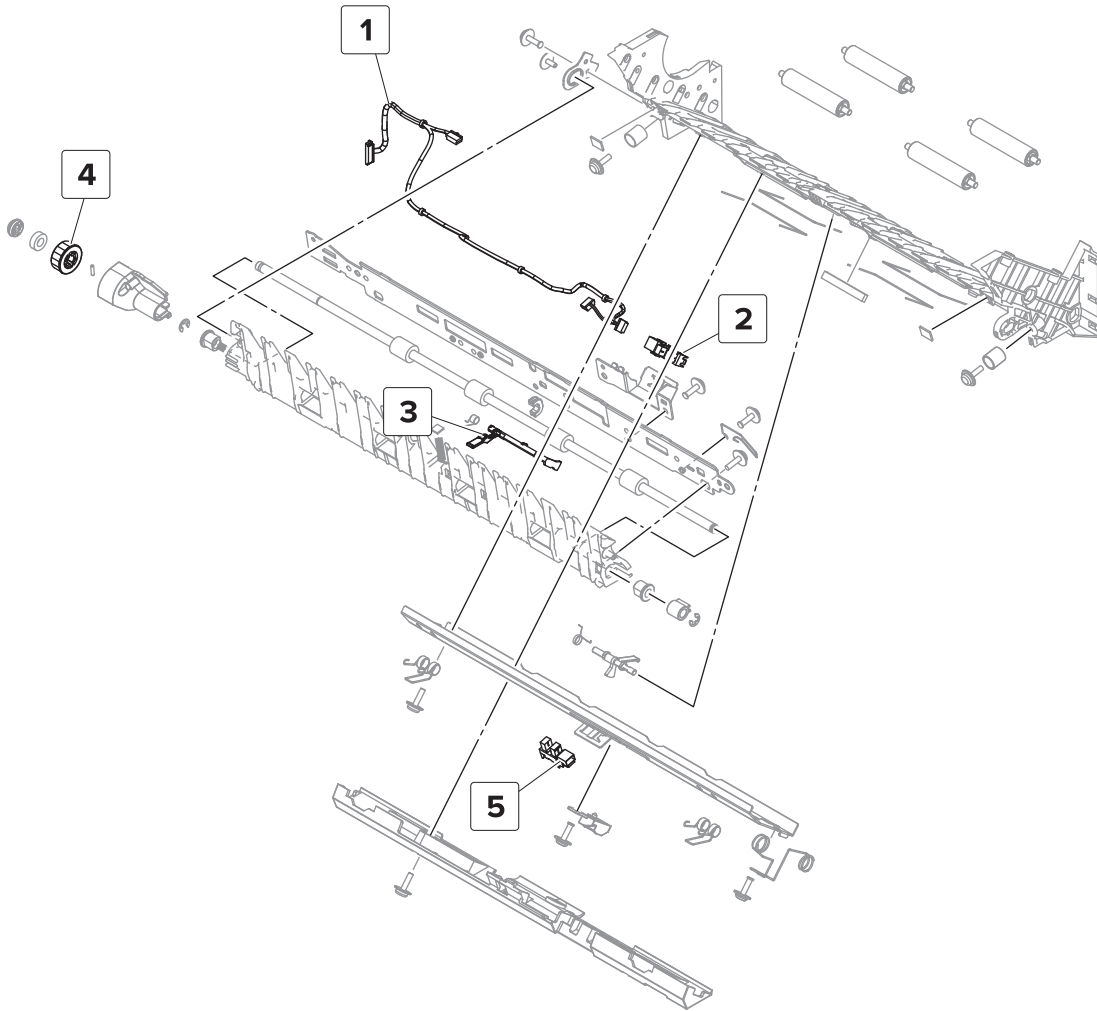
Assembly 29: Duplex 1



Assembly 29: Duplex 1

Asm-index	P/N	Units/mach	Units/FRU	Description	Removal procedure
1	40X9031	1	1	Duplex transport assembly	“Duplex transport assembly removal” on page 235
2	40X9997	1	1	Right door cover	--
3	40X9998	1	1	Duplex transport jam removal knob	“Duplex transport jam removal knob removal” on page 236
4	40X9012	1	1	Duplex transport gear	“Duplex transport gears removal” on page 242
5	40X9036	1	1	Duplex transport belt	“Duplex transport belt removal” on page 242
6	40X9037	1	1	Motor (duplex transport)	“Motor (duplex transport) removal” on page 243

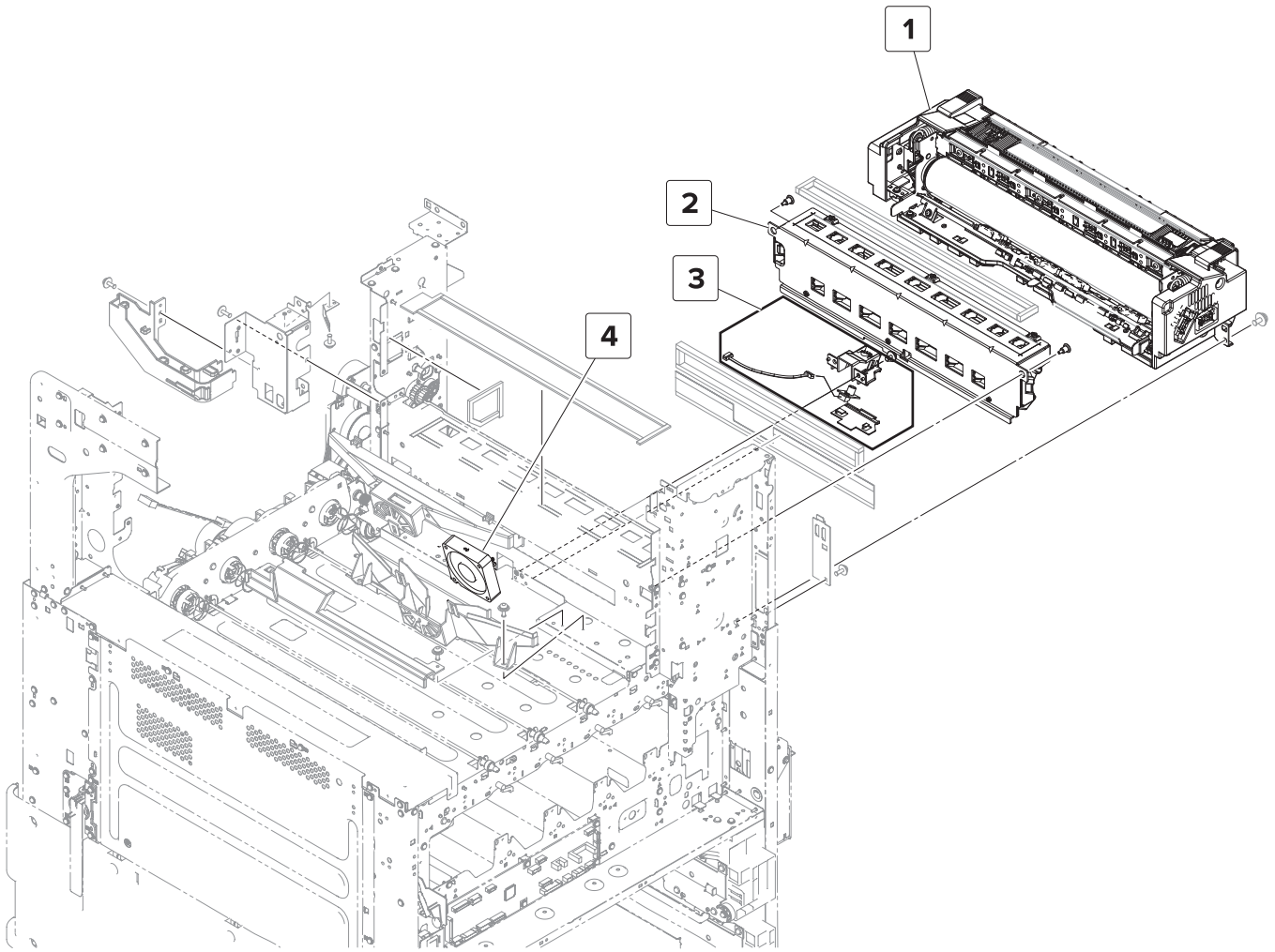
Assembly 30: Duplex 2



Assembly 30: Duplex 2

Asm-index	P/N	Units/mach	Units/FRU	Description	Removal procedure
1	40X9723	1	1	Fuser exit sensor cable	--
2	40X8869	1	1	Sensor (fuser exit)	“Sensor (fuser exit) removal” on page 238
3	40X9039	1	1	Fuser exit sensor actuator	“Fuser exit sensor actuator removal” on page 238
4	40X9999	1	1	Redrive diverter gear	--
5	40X8869	1	1	Sensor (duplex pass through 1)	“Sensor (duplex pass through 1) removal” on page 239

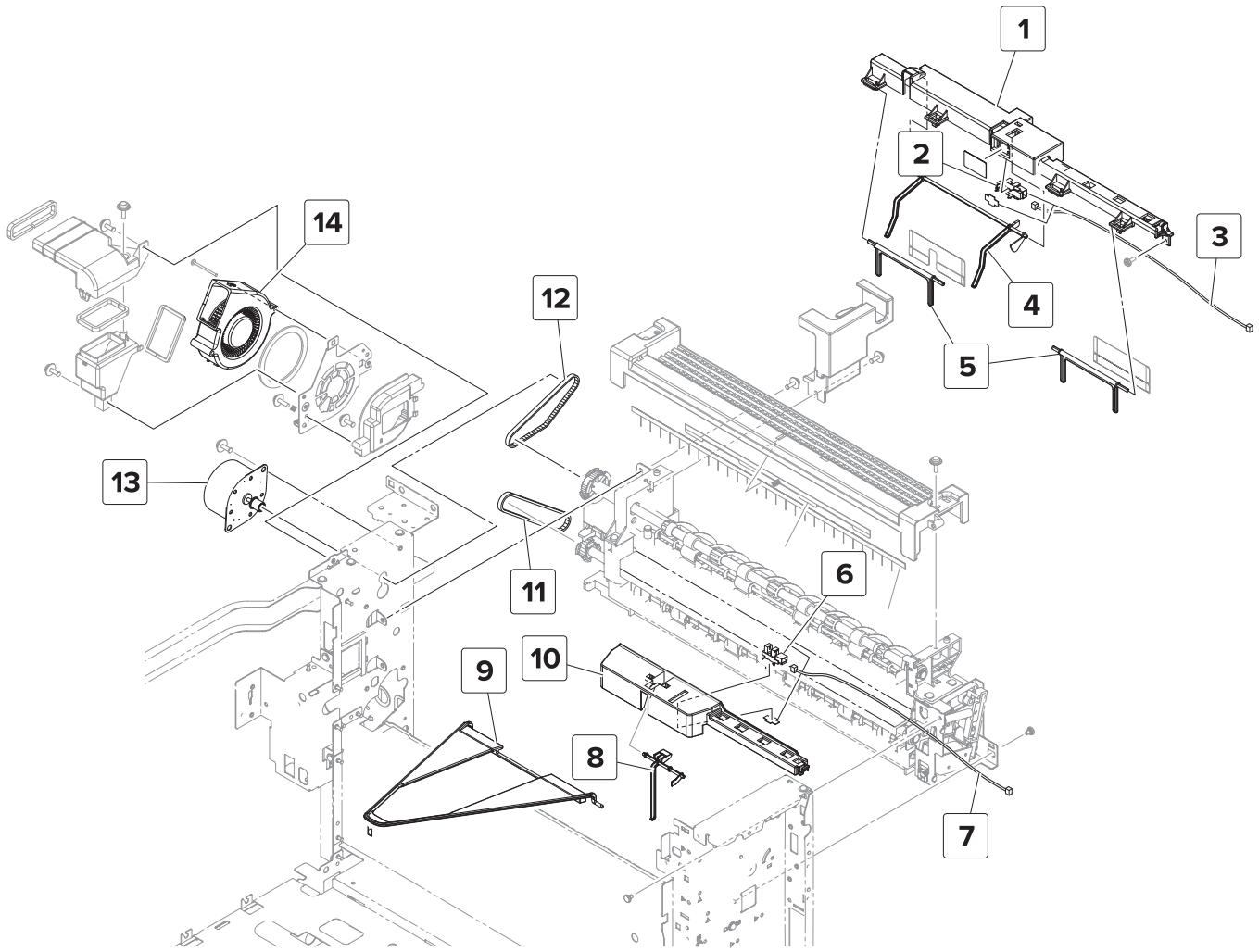
Assembly 31: Fuser



Assembly 31: Fuser

Asm-index	P/N	Units/mach	Units/FRU	Description	Removal procedure
1	40X9046	1	1	Fuser	“Fuser removal” on page 230
2	40X9044	1	1	Induction heater (100 V)	“Induction heater removal” on page 230
2	40X9045	1	1	Induction heater (230 V)	“Induction heater removal” on page 230
3	40X9047	1	1	Sensor (fuser temperature) with cable	--
4	40X9041	1	1	Fuser fan	--

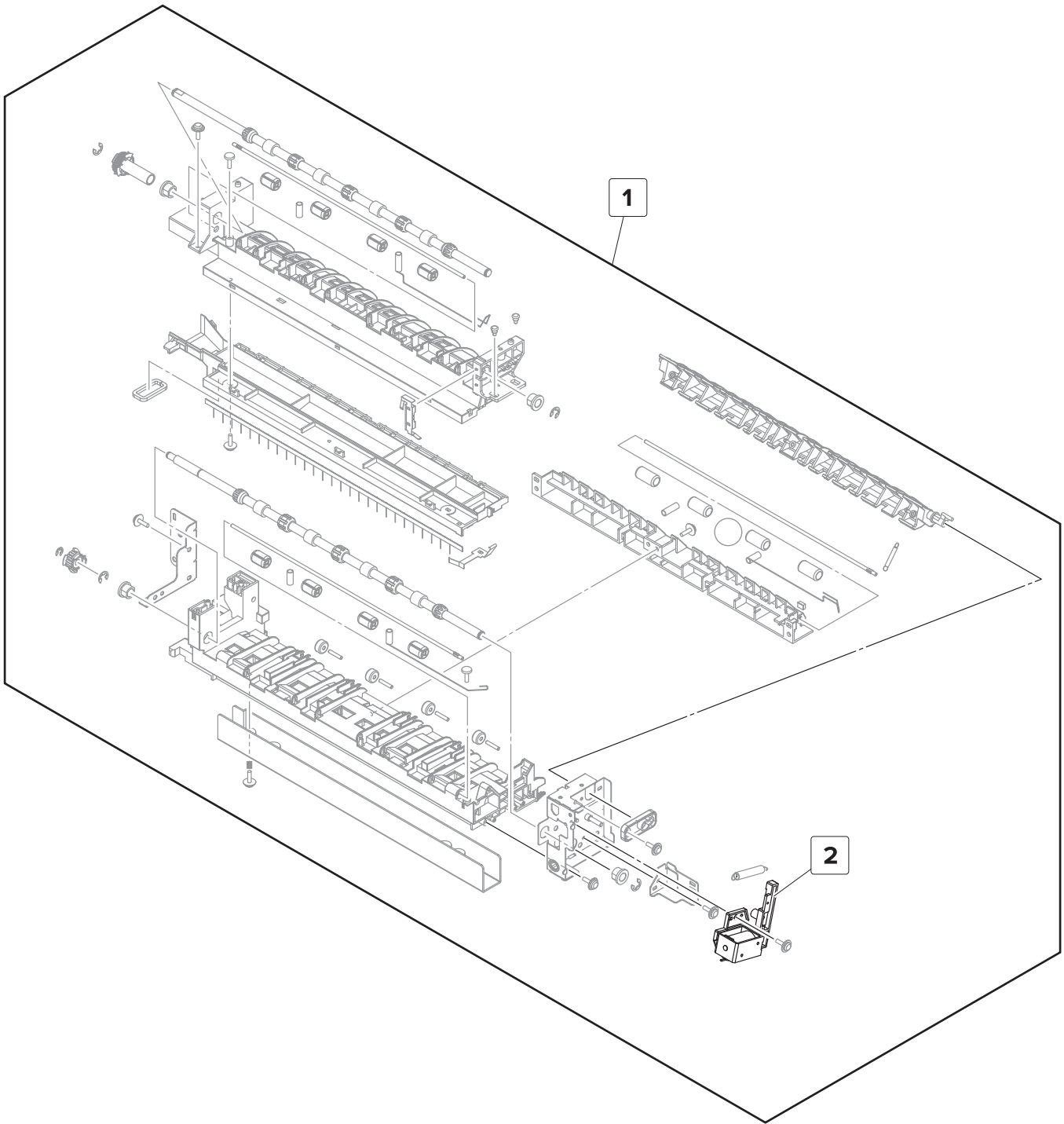
Assembly 32: Exit 1



Assembly 32: Exit 1

Asm-index	P/N	Units/mach	Units/FRU	Description	Removal procedure
1	40X9167	1	1	Redrive exit guide	--
2	40X9313	1	1	Sensor (redrive exit)	--
3	40X9644	1	1	Redrive exit sensor cable	--
4	40X9714	1	1	Redrive exit sensor actuator	--
5	40X9042	1	1	HPT bin paper bail	--
6	40X9313	1	1	Sensor (exit)	--
7	40X9599	1	1	Exit sensor cable	--
8	40X9484	1	1	Exit sensor actuator	--
9	40X8974	1	1	Standard bin paper bail	--
10	40X8895	1	1	Exit sensor housing	--
11	40X9156	1	1	Exit clutch belt	--
12	40X9724	1	1	Redrive belt	--
13	40X9155	1	1	Motor (redrive)	"Motor (redrive) removal" on page 304
14	40X8859	1	1	Paper exit fan	"Paper exit fan removal" on page 300

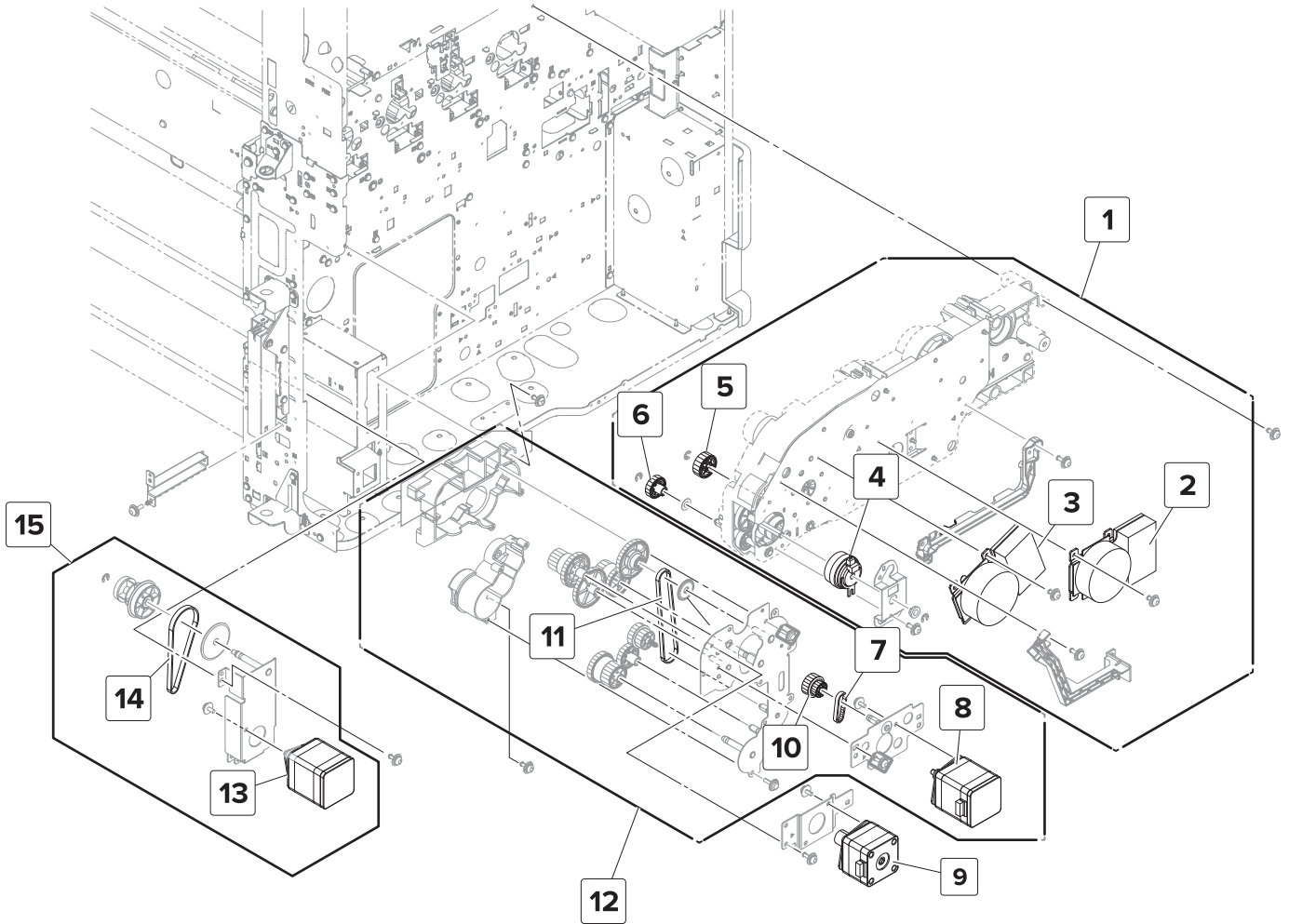
Assembly 33: Exit 2



Assembly 33: Exit 2

Asm-index	P/N	Units/mach	Units/FRU	Description	Removal procedure
1	40X9159	1	1	Exit guide assembly	--
2	40X9161	1	1	Diverter solenoid	--

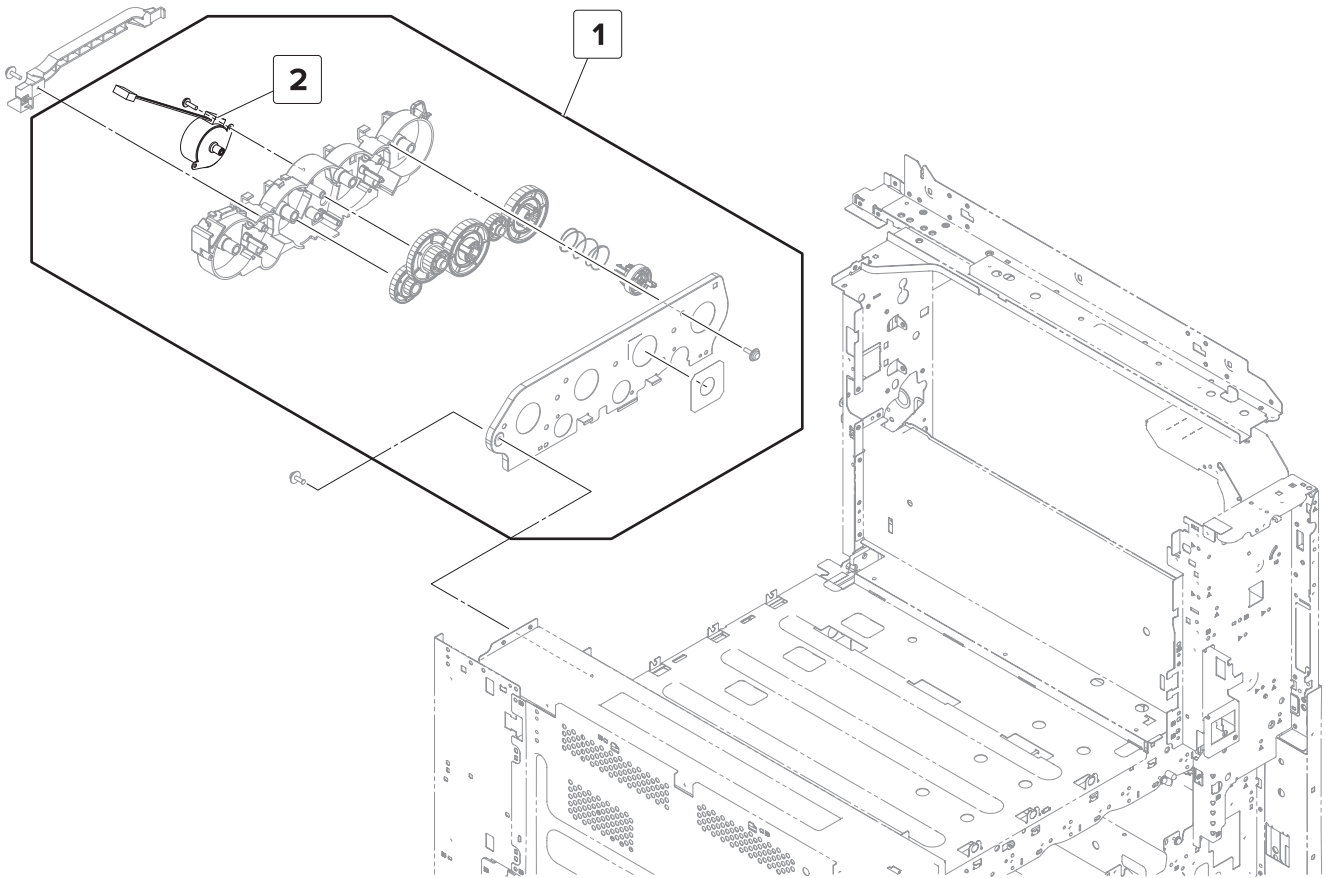
Assembly 34: Main and feed drive



Assembly 34: Main and feed drive

Asm-index	P/N	Units/mach	Units/FRU	Description	Removal procedure
1	40X9164	1	1	Main drive assembly	“Main drive assembly removal” on page 319
2	40X9564	1	1	Motor (developer)	“Motor (developer) removal” on page 308
3	40X9163	1	1	Motor (transport)	“Motor (transport) removal” on page 307
4	40X9166	1	1	Duplex transport clutch	“Duplex transport clutch removal” on page 323
5	40X9165	1	1	Transport motor gear	--
6	40X9725	1	1	Duplex transport clutch gear	“Duplex transport gears removal” on page 242
7	40X9173	1	1	Feed motor belt	--
8	40X9170	1	1	Motor (feed)	“Motor (feed) removal” on page 312
9	40X9171	1	1	Motor (registration)	“Motor (registration) removal” on page 310
10	40X9726	1	1	Feed motor gear	--
11	40X9174	1	1	Feed drive belt	--
12	40X9727	1	1	Feed drive assembly	“Feed drive assembly removal” on page 315
13	40X9170	1	1	Motor (tray 2 transport)	“Motor (tray 2 transport) removal” on page 314
14	40X9639	1	1	Tray 2 transport drive belt	--
15	40X9728	1	1	Tray 2 transport drive assembly	“Tray 2 transport drive removal” on page 313

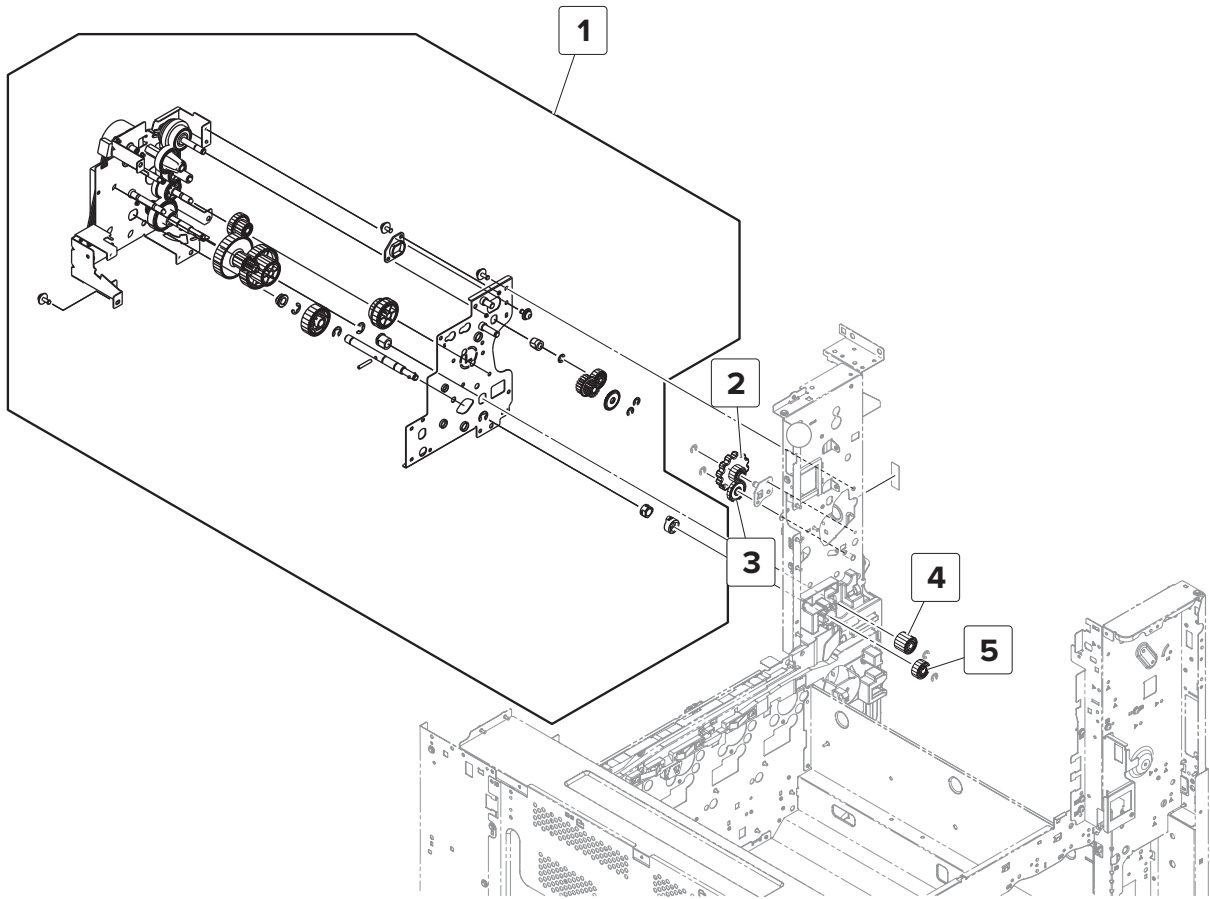
Assembly 35: Toner cartridge drive



Assembly 35: Toner cartridge drive

Asm-index	P/N	Units/mach	Units/FRU	Description	Removal procedure
1	40X9223	1	1	Toner cartridge drive assembly	“Toner cartridge drive assembly removal” on page 322
2	40X9179	1	1	Motor (toner cartridge)	“Motor (toner cartridge) removal” on page 302

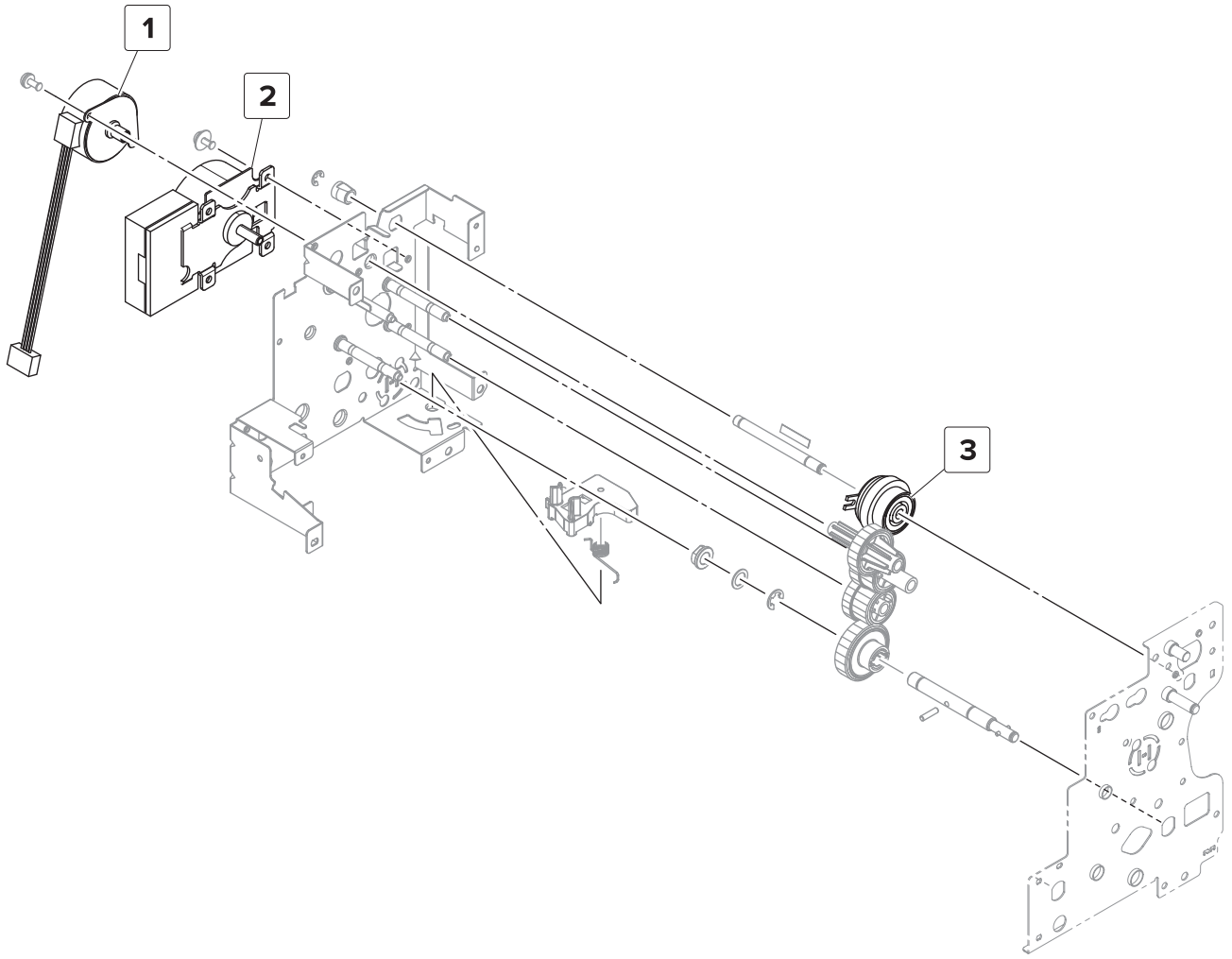
Assembly 36: Fuser drive 1



Assembly 36: Fuser drive 1

Asm-index	P/N	Units/mach	Units/FRU	Description	Removal procedure
1	40X9177	1	1	Fuser drive gearbox	"Fuser drive gearbox removal" on page 325
2	40X9729	1	1	Fuser pressure primary gear	--
3	40X9730	1	1	Fuser pressure secondary gear	--
4	40X9731	1	1	Fuser transport primary gear	--
5	40X9732	1	1	Fuser transport secondary gear	--

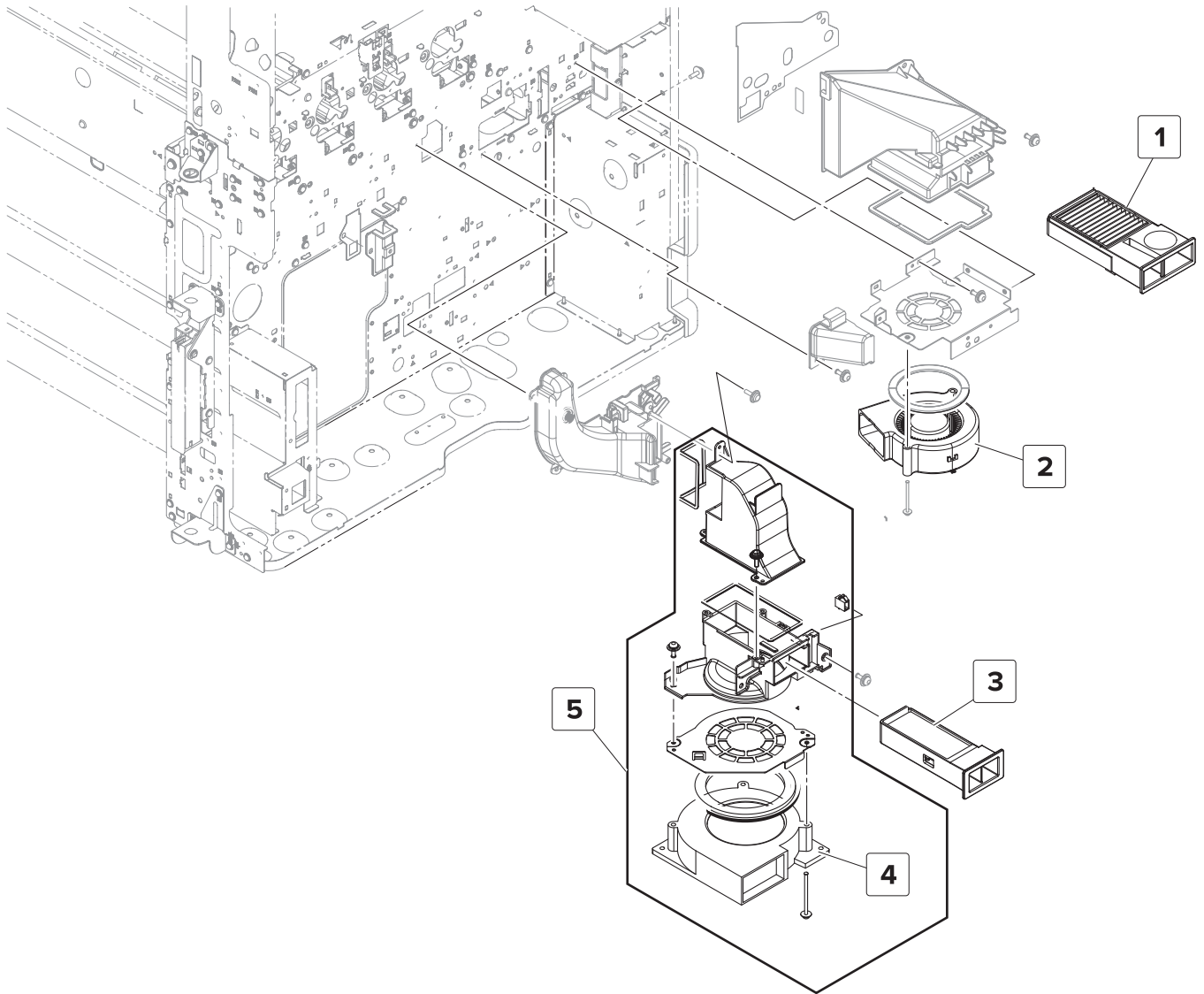
Assembly 37: Fuser drive 2



Assembly 37: Fuser drive 2

Asm-index	P/N	Units/mach	Units/FRU	Description	Removal procedure
1	40X9179	1	1	Motor (fuser pressure)	“Motor (fuser pressure) removal” on page 298
2	40X9163	1	1	Motor (fuser)	“Motor (fuser) removal” on page 324
3	40X9178	1	1	Fuser exit clutch	--

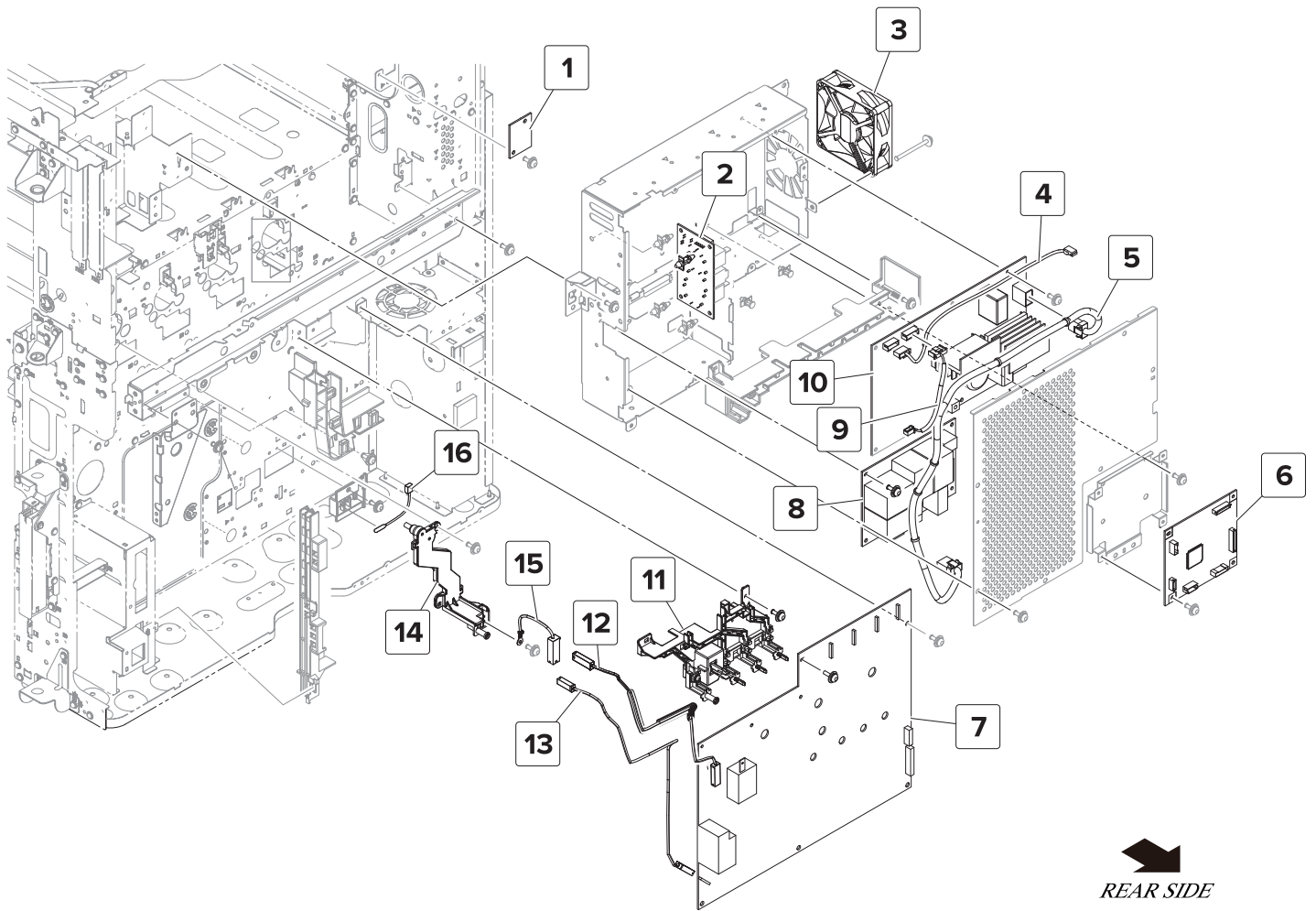
Assembly 38: Ozone duct



Assembly 38: Ozone duct

Asm-index	P/N	Units/mach	Units/FRU	Description	Removal procedure
1	40X9184	1	1	Exhaust filter	--
2	40X8859	1	1	Toner suction fan	“Toner suction fan removal” on page 327
3	40X9183	1	1	Ozone filter	--
4	40X9185	1	1	Ozone fan	“Ozone fan removal” on page 316
5	40X9182	1	1	Ozone fan with duct	“Ozone fan removal” on page 316

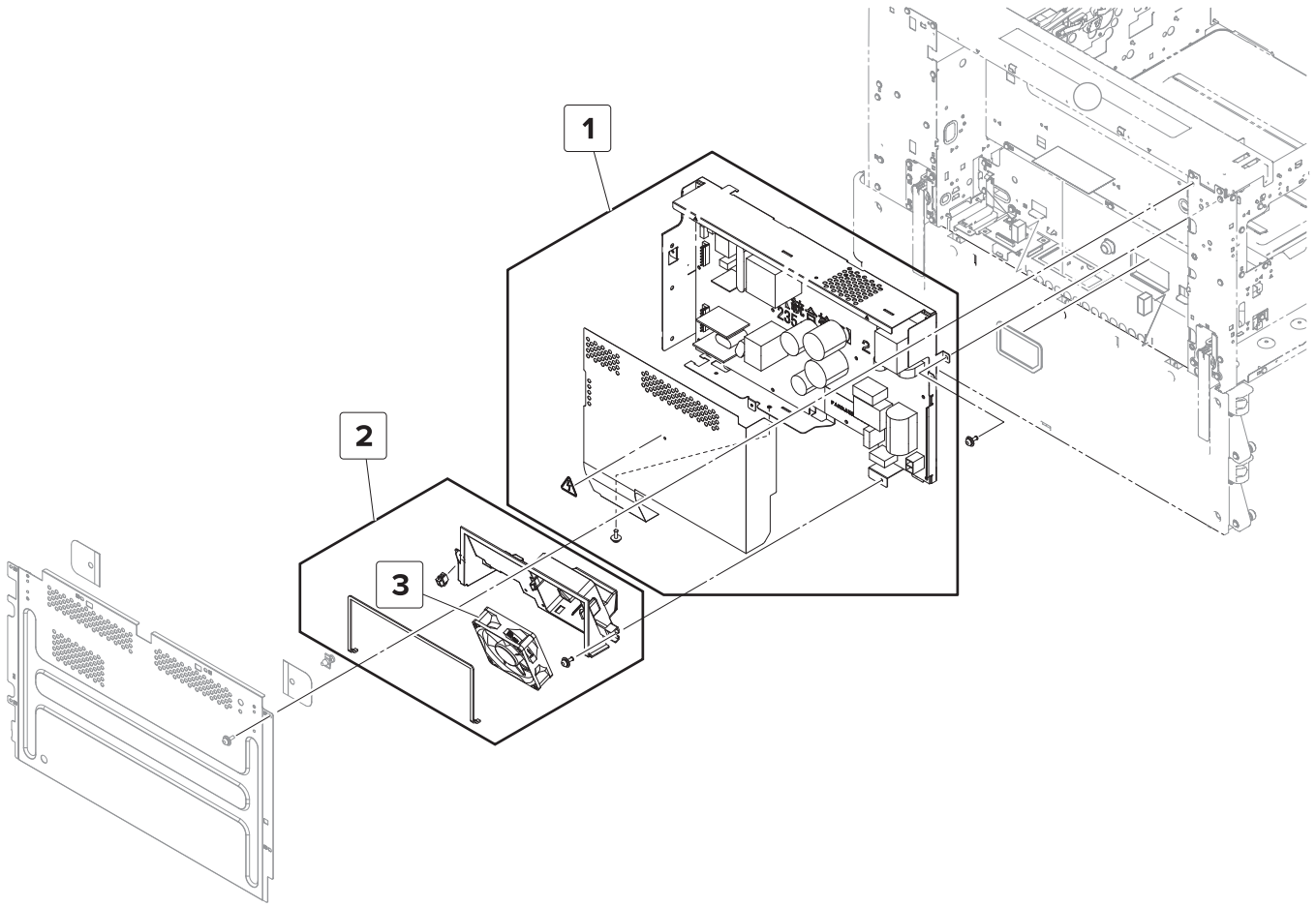
Assembly 39: High voltage



Assembly 39: High voltage

Asm-index	P/N	Units/mach	Units/FRU	Description	Removal procedure
1	40X9189	1	1	Power-saving board	“Power-saving board removal” on page 295
2	40X9198	1	1	Induction heater magnetic erase board	“Induction heater magnetic erase board (IHMEB) removal” on page 291
3	40X8945	1	1	Fuser power supply fan	“Fuser power supply fan removal” on page 301
4	40X9736	1	1	Induction heater power supply cable	--
5	40X9737	1	1	Noise filter board cable	--
6	40X9199	1	1	Expansion controller board	“Expansion controller board removal” on page 294
7	40X9193	1	1	High voltage board	“High voltage board removal” on page 309
8	40X9200	1	1	Noise filter board, 100 V	“Noise filter board removal” on page 293
8	40X9201	1	1	Noise filter board, 230 V	“Noise filter board removal” on page 293
9	40X9735	1	1	Induction heater magnetic erase board cable	--
10	40X9196	1	1	Induction heater power supply, 100 V	“Induction heater power supply (IHPS) removal” on page 293
10	40X9197	1	1	Induction heater power supply, 230 V	“Induction heater power supply (IHPS) removal” on page 293
11	40X9192	1	1	High voltage developer contact	--
12	40X9733	1	1	High voltage transfer cable	--
13	40X9194	1	1	High voltage charge cable	--
14	40X9191	1	1	High voltage charge contact	--
15	40X9734	1	1	High voltage toner charge cable	--
16	40X9190	1	1	Sensor (tray 1 and 2 paper temperature)	“Sensor (tray 1 and 2 paper temperature) removal” on page 316

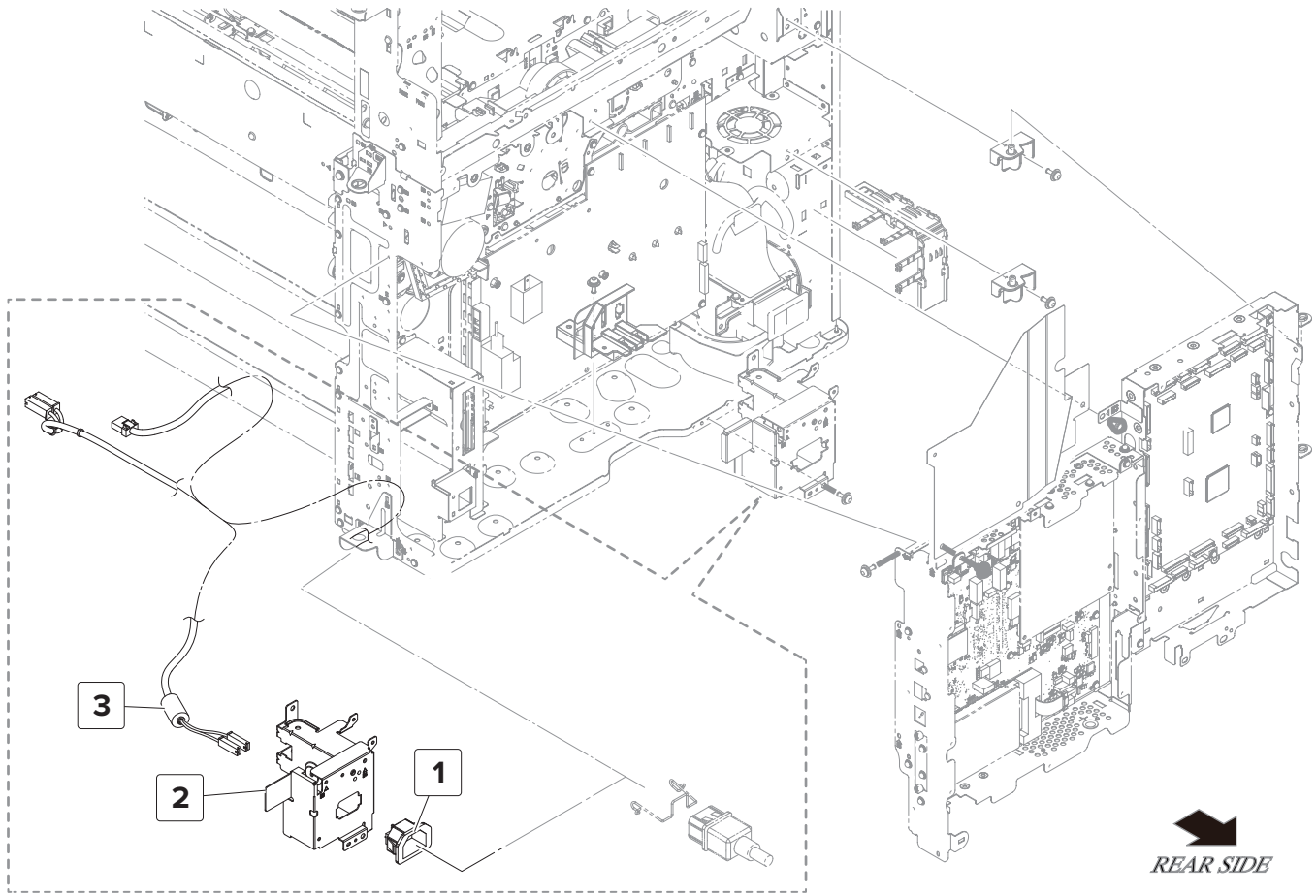
Assembly 40: Main power supply



Assembly 40: Main power supply

Asm-index	P/N	Units/mach	Units/FRU	Description	Removal procedure
1	40X9203	1	1	Main power supply, 100 V	“Main power supply removal” on page 226
1	40X9204	1	1	Main power supply, 230 V	“Main power supply removal” on page 226
2	40X9205	1	1	Main power supply fan with duct	“Main power supply fan removal” on page 225
3	40X8945	1	1	Main power supply fan	“Main power supply fan removal” on page 225

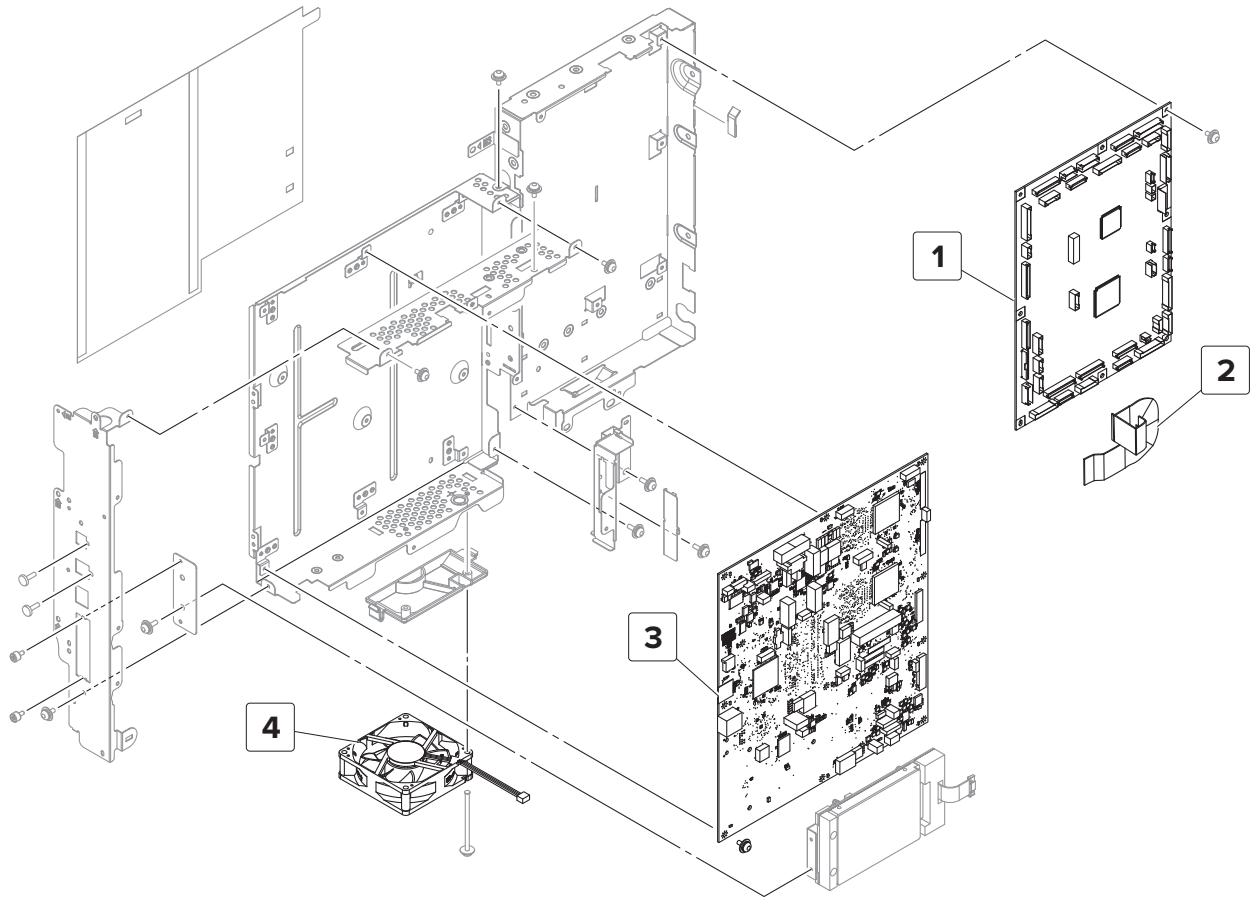
Assembly 41: Electrical 1



Assembly 41: Electrical 1

Asm-index	P/N	Units/mach	Units/FRU	Description	Removal procedure
1	40X9741	1	1	Power socket	--
2	40X9402	1	1	Power socket mount	--
3	40X9740	1	1	Power socket cable	--

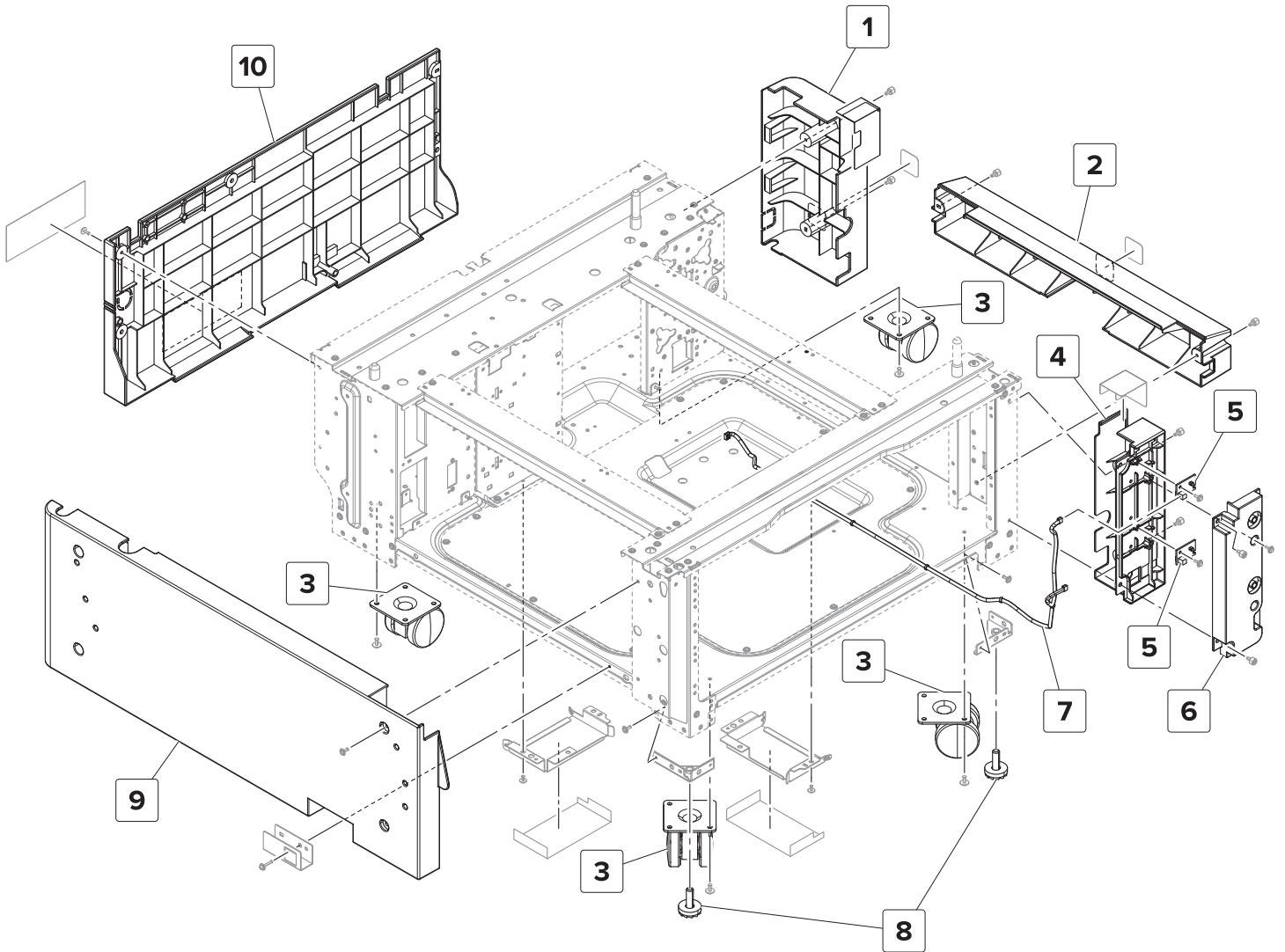
Assembly 42: Electrical 2



Assembly 42: Electrical 2

Asm-index	P/N	Units/mach	Units/FRU	Description	Removal procedure
1	40X9207	1	1	Engine controller board	“Engine controller board removal” on page 296
2	40X9744	1	1	Engine controller board FFC	--
3	40X9664	1	1	Controller board (SFP)	“Controller board removal” on page 298
4	40X9209	1	1	Controller board fan	“Controller board fan removal” on page 306

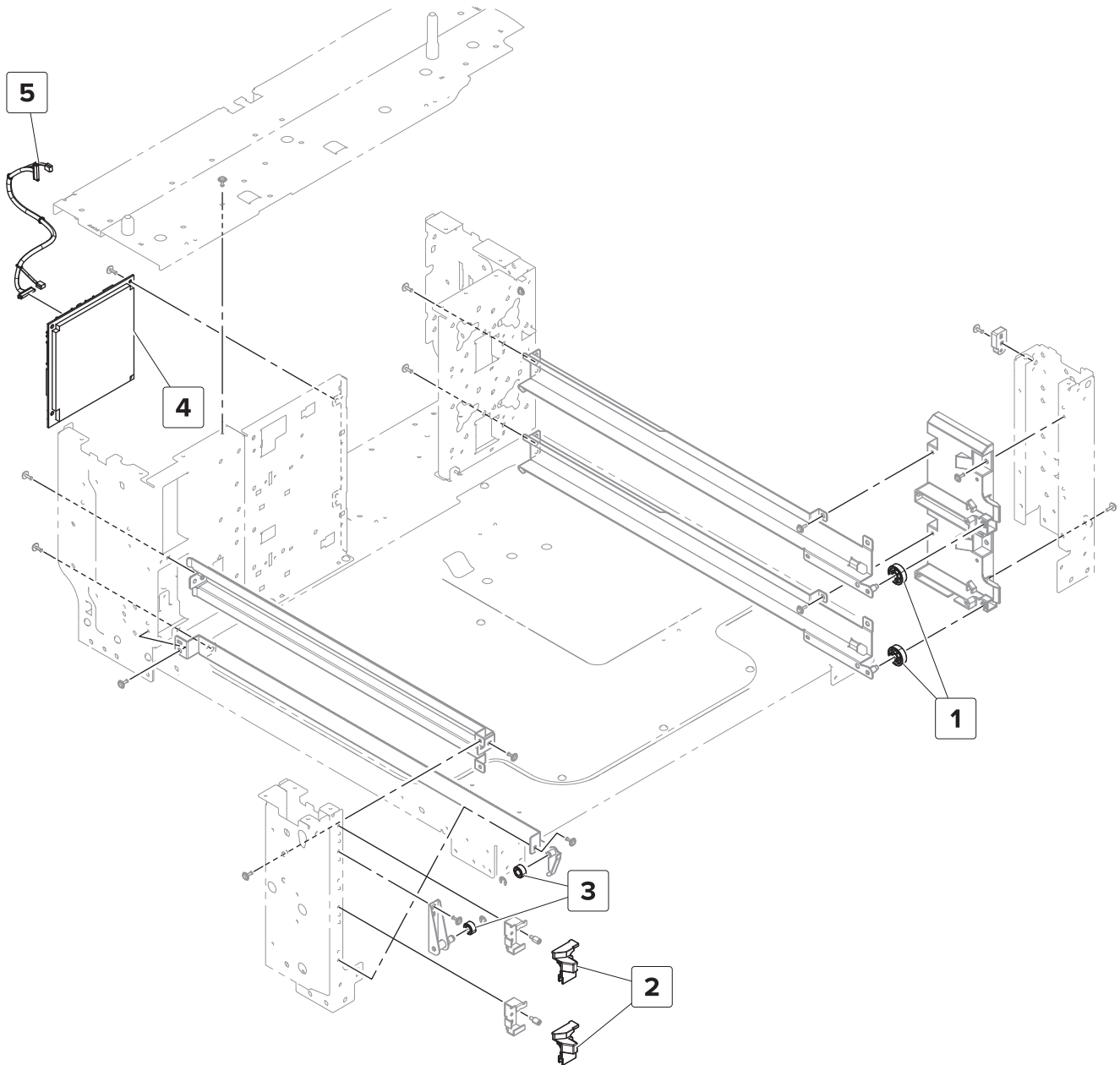
Assembly 43: 2 x 500-sheet tray—Covers



Assembly 43: 2 x 500-sheet tray—Covers

Asm-index	P/N	Units/opt	Units/FRU	Description	Removal procedure
1	40X9779	1	1	2 x 500-sheet tray rear right cover	“2 x 500-sheet tray rear right cover removal” on page 376
2	40X9285	1	1	2 x 500-sheet tray bottom right cover	“2 x 500-sheet tray bottom right cover removal” on page 377
3	40X9282	4	1	2 x 500-sheet tray caster wheel	“2 x 500-sheet tray caster wheel removal” on page 361
4	40X9286	1	1	2 x 500-sheet tray empty LED mount	“2 x 500-sheet tray empty LED mount removal” on page 369
5	40X8903	2	1	2 x 500-sheet tray empty LED	“2 x 500-sheet tray empty LED removal” on page 369
6	40X9287	1	1	2 x 500-sheet tray empty LED cover	“2 x 500-sheet tray empty LED cover removal” on page 368
7	40X9289	1	1	2 x 500-sheet tray empty LED cable	--
8	40X9283	2	1	Printer rubber stopper	“Printer rubber stopper removal” on page 361
9	40X9281	1	1	2 x 500-sheet tray left cover	“2 x 500-sheet tray left cover removal” on page 368
10	40X9280	1	1	2 x 500-sheet tray rear cover	“2 x 500-sheet tray rear cover removal” on page 370

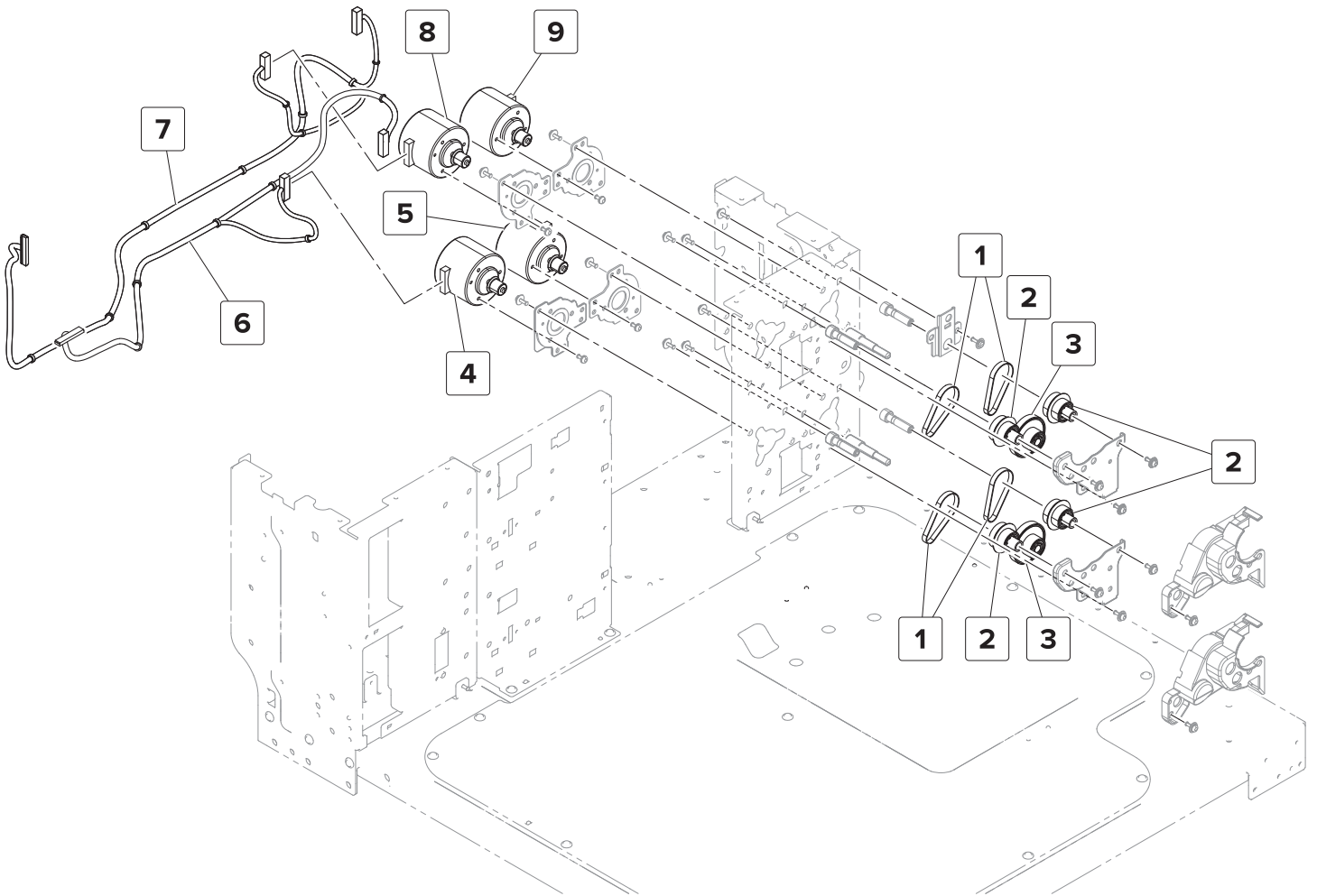
Assembly 44: 2 x 500-sheet tray—Frame



Assembly 44: 2 x 500-sheet tray—Frame

Asm-index	P/N	Units/opt	Units/FRU	Description	Removal procedure
1	40X8981	2	1	2 x 500-sheet tray right rail guide wheel	--
2	40X9014	2	1	2 x 500-sheet tray insert stopper	--
3	40X9305	2	1	2 x 500-sheet tray left rail guide wheel	--
4	40X9290	1	1	2 x 500-sheet tray controller board	"2 x 500-sheet tray controller board removal" on page 374
5	40X9783	1	1	2 x 500-sheet tray interface cable	--

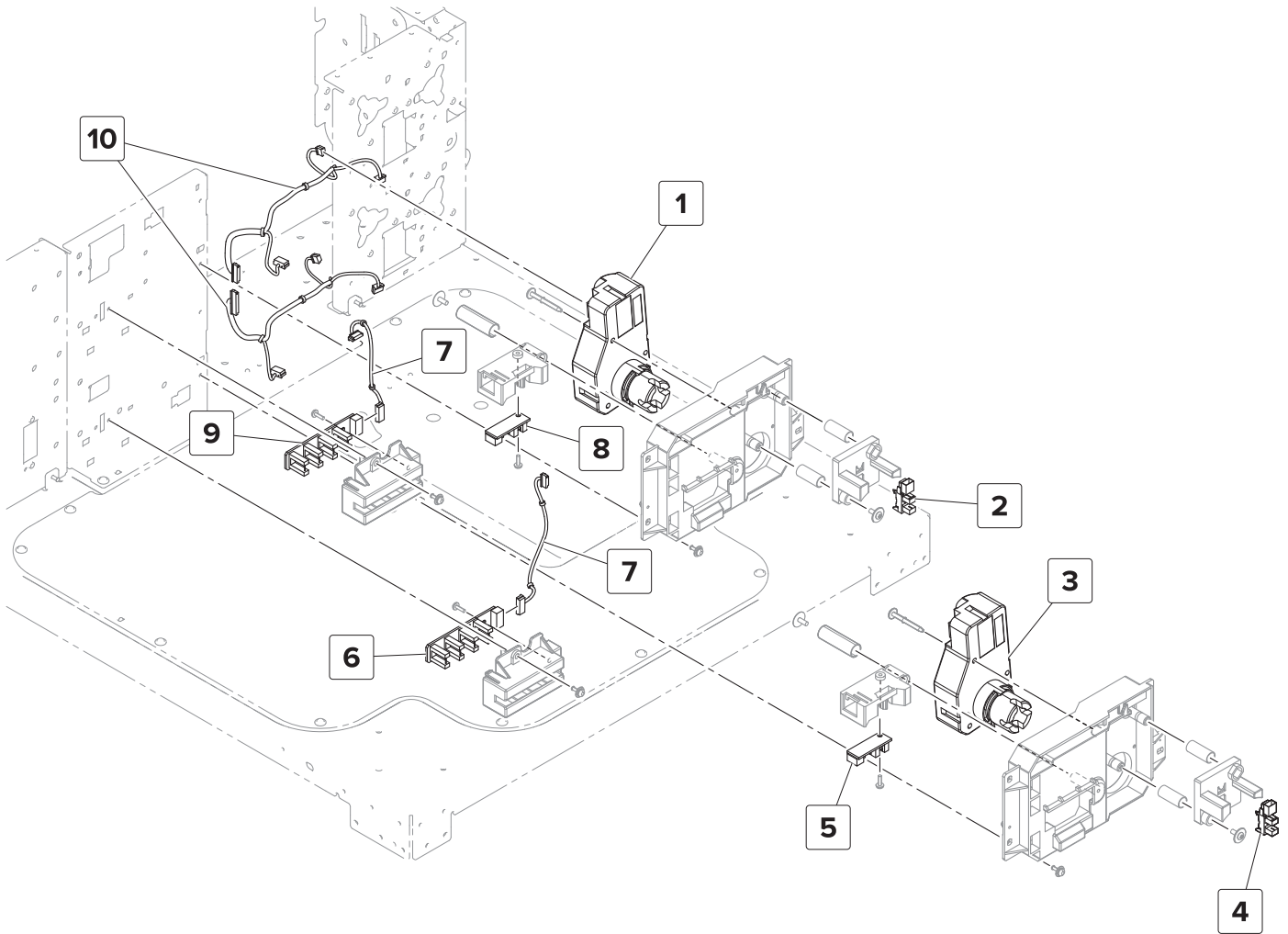
Assembly 45: 2 x 500-sheet tray—Paper feed



Assembly 45: 2 x 500-sheet tray—Paper feed

Asm-index	P/N	Units/opt	Units/FRU	Description	Removal procedure
1	40X9294	4	1	2 x 500-sheet tray feed and transport motor belt	“2 x 500-sheet tray 3 transport belts and gears removal” on page 382 “2 x 500-sheet tray 4 transport belts and gears removal” on page 383
2	40X9891	4	1	2 x 500-sheet tray feed and transport primary gear	“2 x 500-sheet tray 3 transport belts and gears removal” on page 382 “2 x 500-sheet tray 4 transport belts and gears removal” on page 383
3	40X9295	2	1	2 x 500-sheet tray feed and transport secondary gear	“2 x 500-sheet tray 3 transport belts and gears removal” on page 382 “2 x 500-sheet tray 4 transport belts and gears removal” on page 383
4	40X9293	1	1	Motor (2 x 500-sheet tray 4 feed)	“2 x 500-sheet tray feed and transport motors removal” on page 373
5	40X9293	1	1	Motor (2 x 500-sheet tray 4 transport)	“2 x 500-sheet tray feed and transport motors removal” on page 373
6	40X9774	1	1	2 x 500-sheet tray 4 feed and transport motor cable	--
7	40X9882	1	1	2 x 500-sheet tray 3 feed and transport motor cable	--
8	40X9293	1	1	Motor (2 x 500-sheet tray 3 feed)	“2 x 500-sheet tray feed and transport motors removal” on page 373
9	40X9293	1	1	Motor (2 x 500-sheet tray 3 transport)	“2 x 500-sheet tray feed and transport motors removal” on page 373

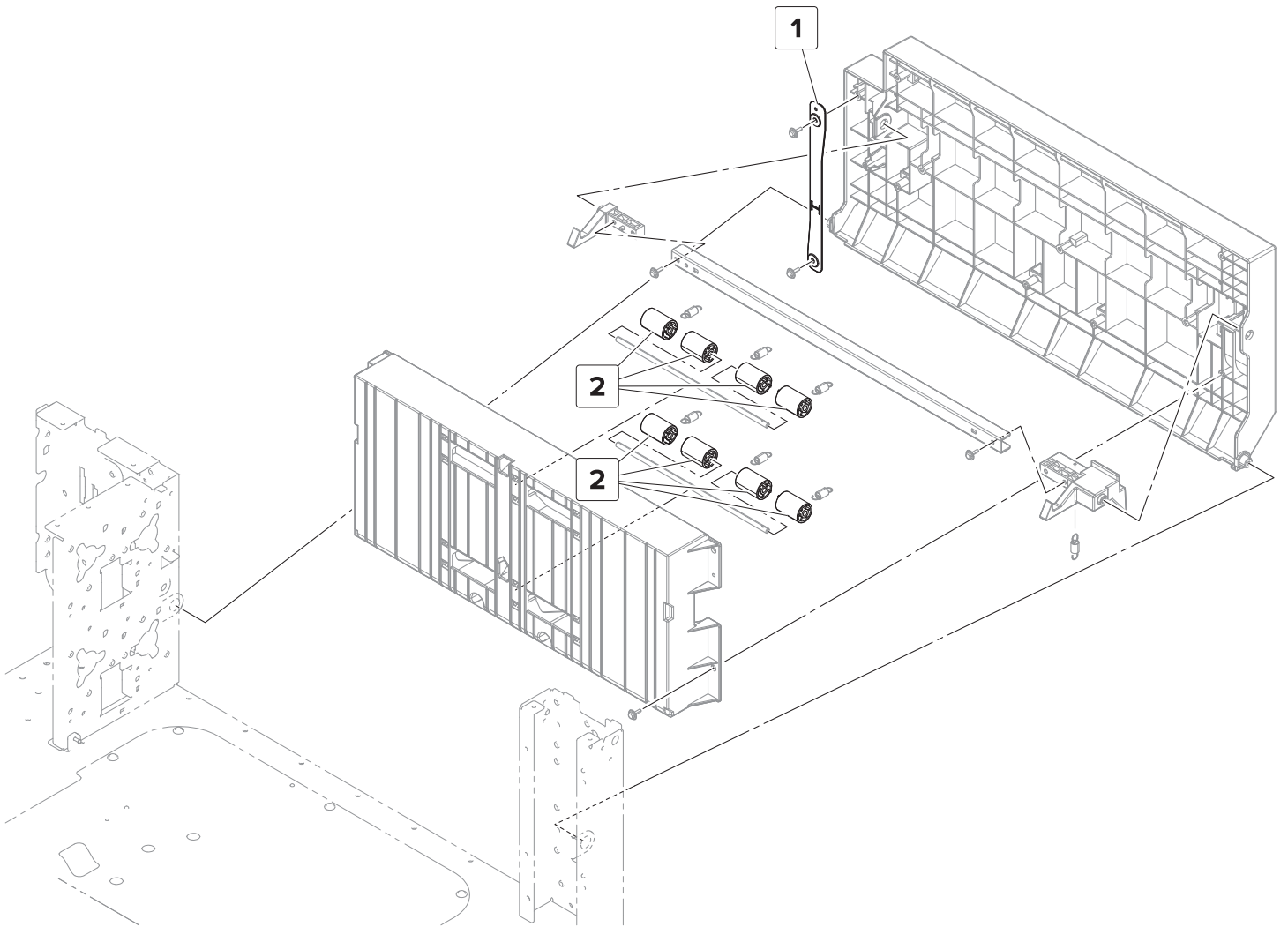
Assembly 46: 2 x 500-sheet tray—Paper size detection



Assembly 46: 2 x 500-sheet tray—Paper size detection

Asm-index	P/N	Units/opt	Units/FRU	Description	Removal procedure
1	40X8987	1	1	Motor (2 x 500-sheet tray 3 lift)	“Motor (2 x 500-sheet tray lift) removal” on page 370
2	40X8869	1	1	Sensor (2 x 500-sheet tray 3 near empty)	“Sensor (2 x 500-sheet tray near empty) removal” on page 371
3	40X8987	1	1	Motor (2 x 500-sheet tray 4 lift)	“Motor (2 x 500-sheet tray lift) removal” on page 370
4	40X8869	1	1	Sensor (2 x 500-sheet tray 4 near empty)	“Sensor (2 x 500-sheet tray near empty) removal” on page 371
5	40X8989	1	1	Sensor (2 x 500-sheet tray 4 paper width)	“Sensor (2 x 500-sheet tray paper width) removal” on page 372
6	40X8985	1	1	Sensor (2 x 500-sheet tray 4 paper length)	“Sensor (2 x 500-sheet tray paper length) removal” on page 366
7	40X9775	2	1	2 x 500 sheet tray paper length sensor cable	--
8	40X8989	1	1	Sensor (2 x 500-sheet tray 3 paper width)	“Sensor (2 x 500-sheet tray paper width) removal” on page 372
9	40X8985	1	1	Sensor (2 x 500-sheet tray 3 paper length)	“Sensor (2 x 500-sheet tray paper length) removal” on page 366
10	40X9889	2	1	2 x 500 sheet tray lift motor cable	--

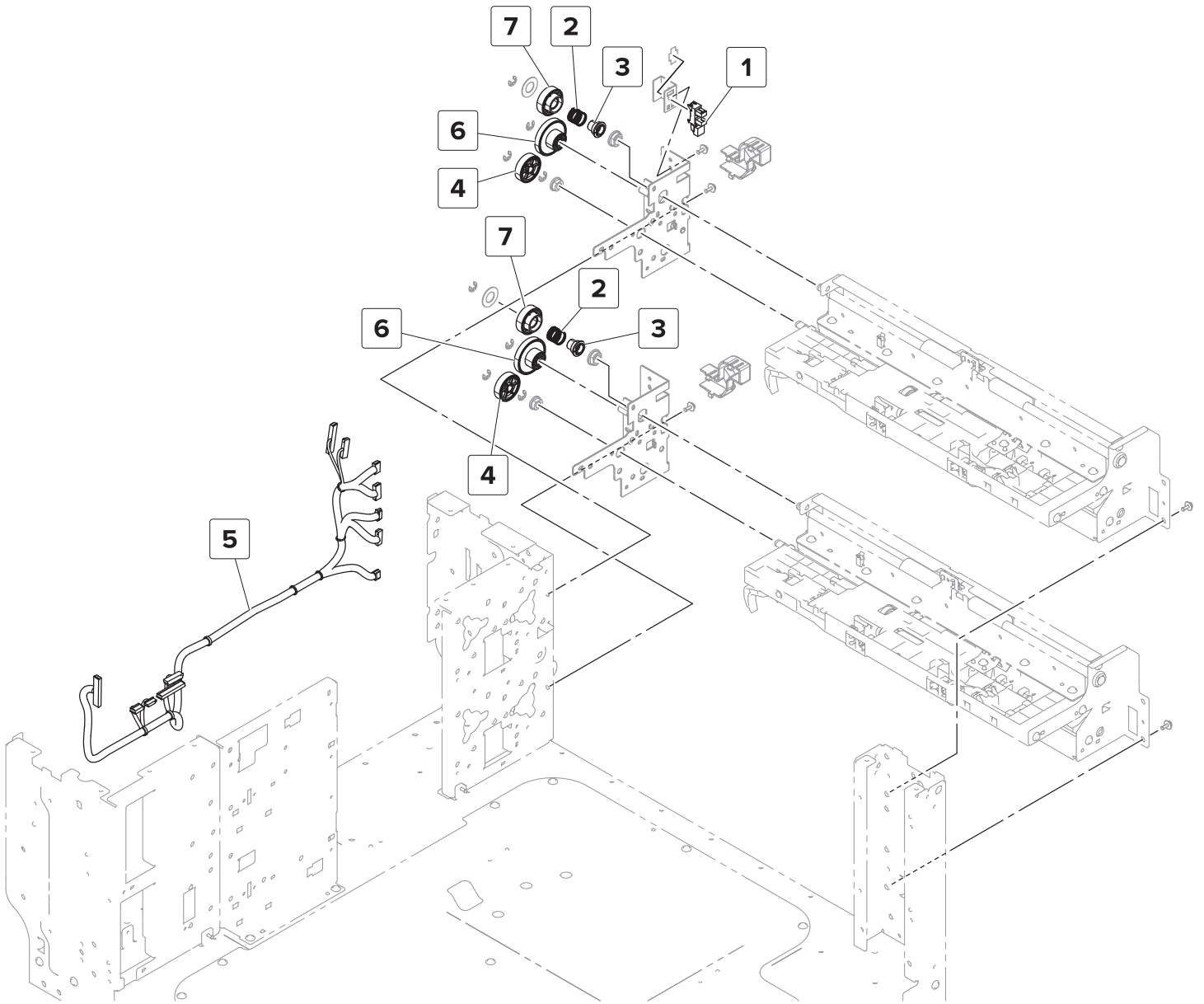
Assembly 47: 2 x 500-sheet tray—Paper transport



Assembly 47: 2 x 500-sheet tray—Paper transport

Asm-index	P/N	Units/opt	Units/FRU	Description	Removal procedure
1	40X9908	1	1	2 x 500-sheet tray jam access door strap	--
2	40X8973	8	1	Transport idler roller	--

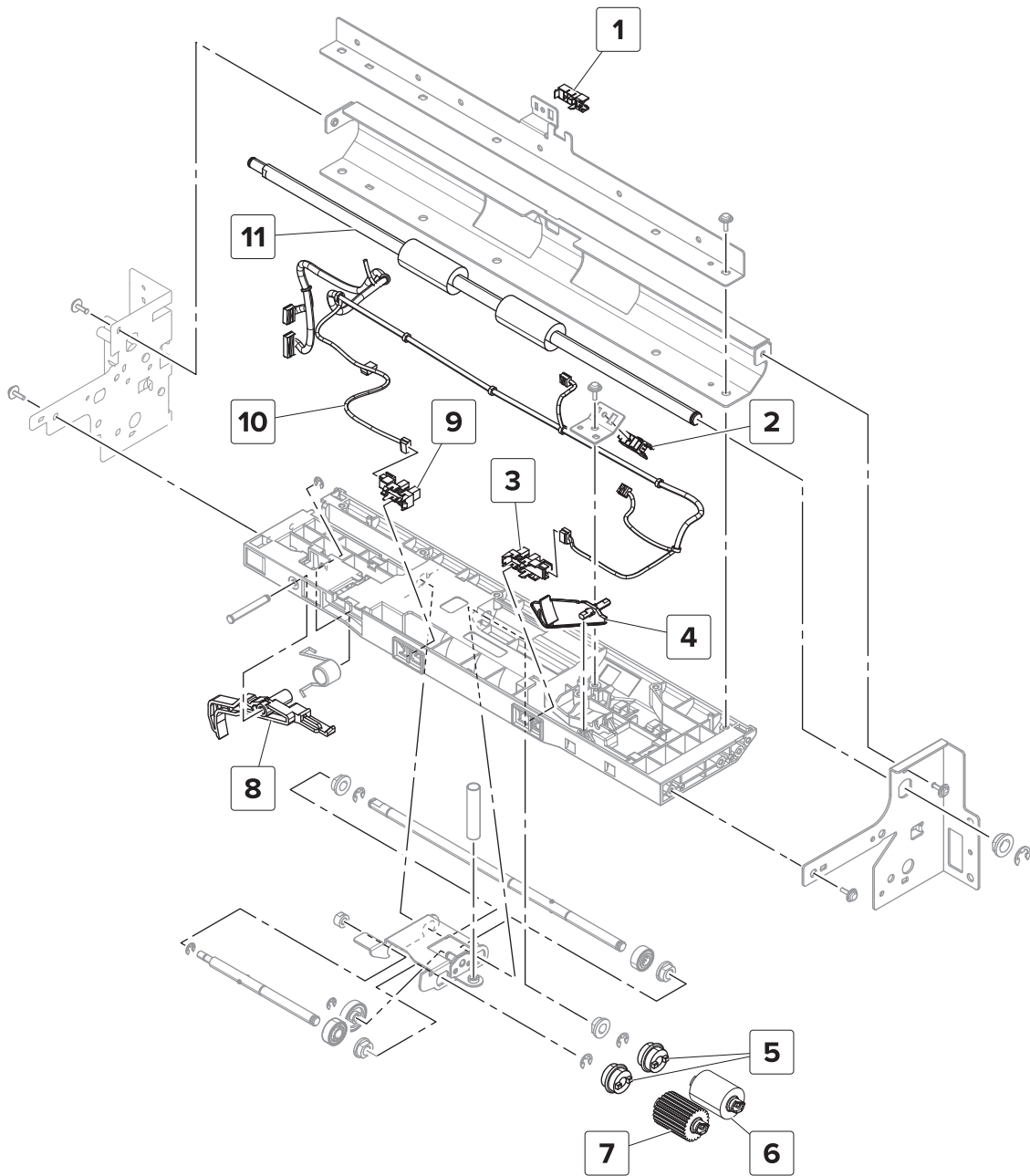
Assembly 48: 2 x 500-sheet tray—Paper pick 1



Assembly 48: 2 x 500-sheet tray—Paper pick 1

Asm-index	P/N	Units/opt	Units/FRU	Description	Removal procedure
1	40X9313	1	1	Sensor (2 x 500-sheet tray jam access door)	“Sensor (2 x 500-sheet tray jam access door) removal” on page 360
2	40X9892	2	1	2 x 500-sheet tray transport gear spring	--
3	40X9893	2	1	2 x 500-sheet tray transport gear bushing	--
4	40X9894	2	1	2 x 500-sheet tray feed primary gear	--
5	40X9890	1	1	2 x 500-sheet tray cable harness	--
6	40X9295	2	1	2 x 500-sheet tray feed secondary gear	--
7	40X9298	2	1	2 x 500-sheet tray transport gear	--

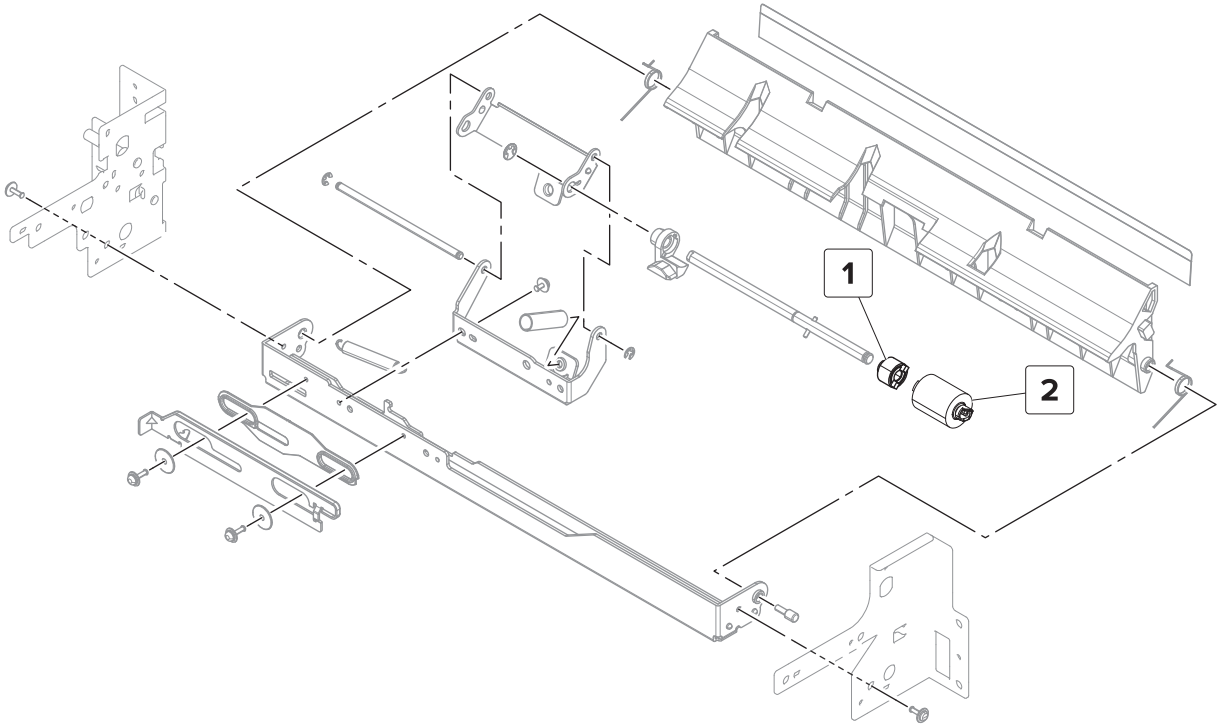
Assembly 49: 2 x 500-sheet tray—Paper pick 2



Assembly 49: 2 x 500-sheet tray—Paper pick 2

Asm-index	P/N	Units/opt	Units/FRU	Description	Removal procedure
1	40X8968	2	1	Sensor (2 x 500-sheet tray 3 or 4 transport)	“Sensor (2 x 500-sheet tray transport) removal” on page 381
2	40X8968	2	1	Sensor (2 x 500-sheet tray 3 or 4 feed)	“2 x 500-sheet tray transport assembly sensors removal” on page 379
3	40X8869	2	1	Sensor (2 x 500-sheet tray 3 or 4 tray empty)	“2 x 500-sheet tray transport assembly sensors removal” on page 379
4	40X9899	2	1	2 x 500-sheet tray empty sensor actuator	“2 x 500-sheet tray transport assembly sensors removal” on page 379
5	40X9981	4	1	Roller clutch	--
6	40X8970	2	1	Feed roller	“2 x 500-sheet tray rollers removal” on page 366
7	40X9925	2	1	Pick roller	“2 x 500-sheet tray rollers removal” on page 366
8	40X9982	2	1	2 x 500-sheet tray set actuator	--
9	40X8869	2	1	Sensor (2 x 500-sheet tray 3 or 4 tray lift plate level)	“2 x 500-sheet tray transport assembly sensors removal” on page 379
10	40X9316	1	1	2 x 500-sheet tray 3 pick assembly sensor cable	--
10	40X9300	1	1	2 x 500-sheet tray 4 pick assembly sensor cable	--
11	40X9299	2	1	2 x 500-sheet tray 3 or 4 transport roller	--

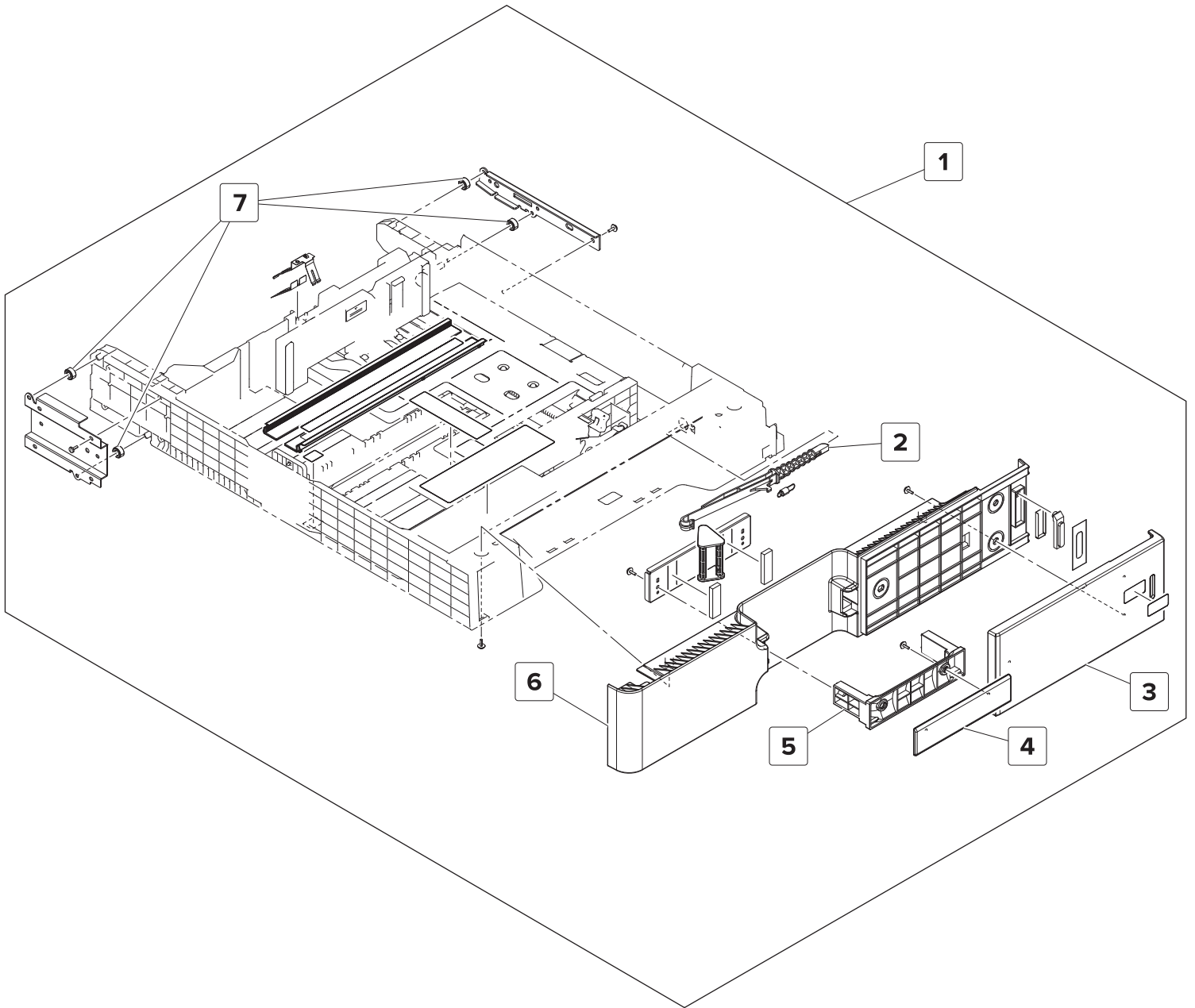
Assembly 50: 2 x 500-sheet tray—Paper pick 3



Assembly 50: 2 x 500-sheet tray—Paper pick 3

Asm-index	P/N	Units/opt	Units/FRU	Description	Removal procedure
1	40X9455	2	1	Separator clutch	--
2	40X8970	2	1	Separator roller	"2 x 500-sheet tray rollers removal" on page 366

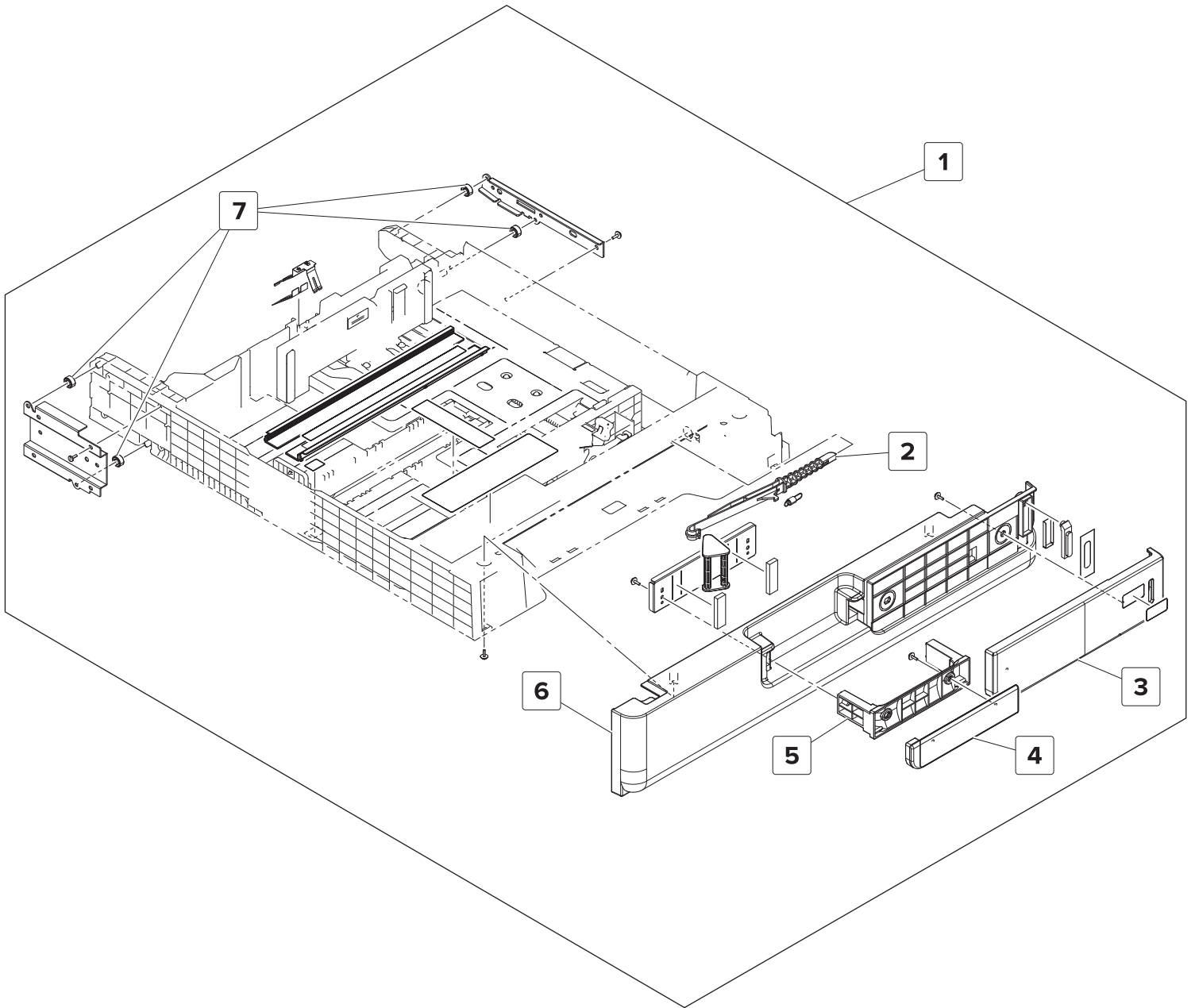
Assembly 51: 2 x 500-sheet tray—Tray 3



Assembly 51: 2 x 500-sheet tray—Tray 3

Asm-index	P/N	Units/opt	Units/FRU	Description	Removal procedure
1	40X9635	1	1	2 x 500-sheet tray 3 insert	--
2	40X9304	1	1	2 x 500-sheet tray lock lever	"Tray lock removal" on page 364
3	40X9017	1	1	2 x 500-sheet tray 3 right front cover	--
4	40X9034	1	1	2 x 500-sheet tray 3 handle cover	--
5	40X9186	1	1	2 x 500-sheet tray handle	--
6	40X8871	1	1	2 x 500-sheet tray 3 front cover	"Tray lock removal" on page 364
7	40X9305	4	1	Tray insert guide wheel	--

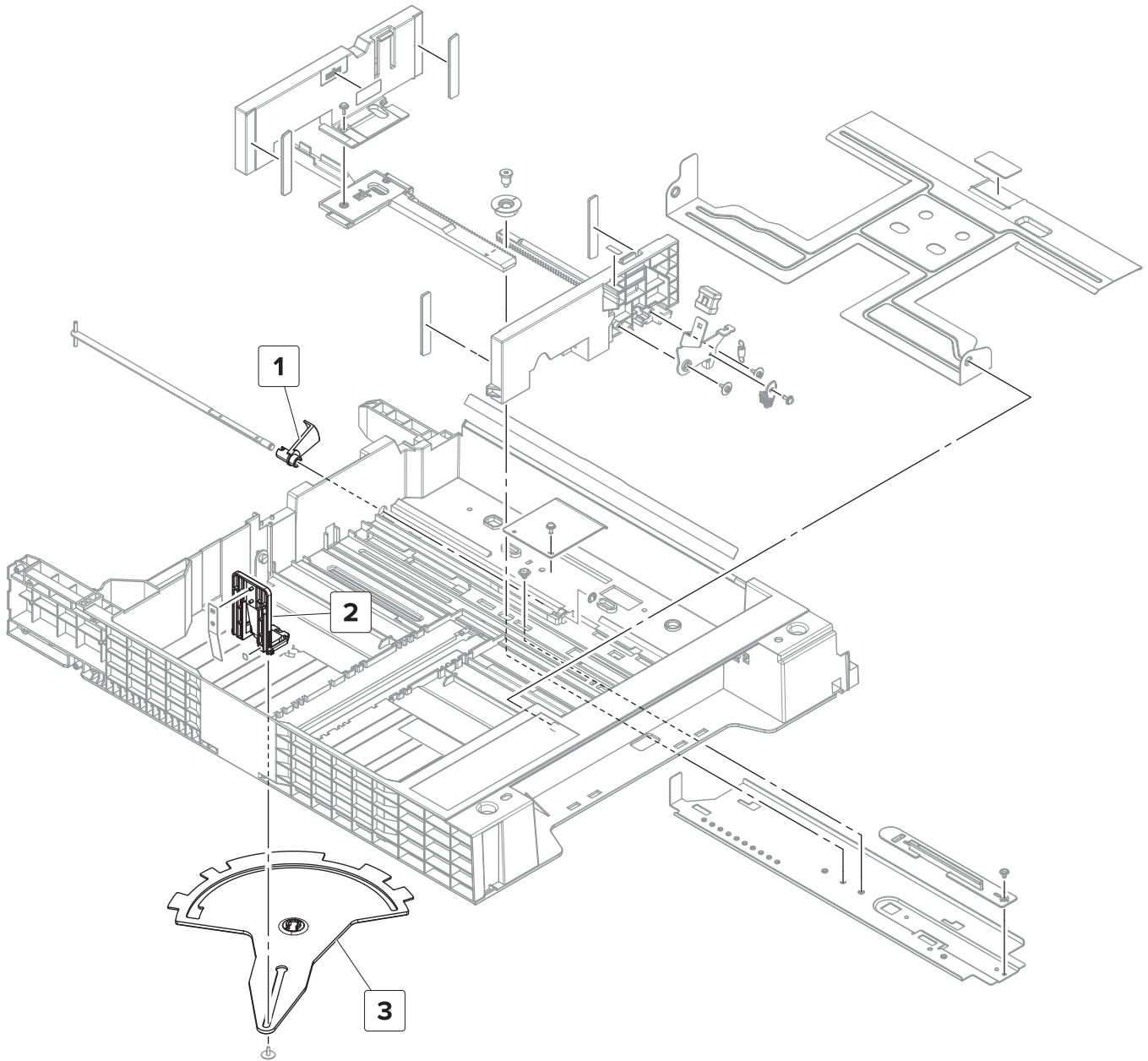
Assembly 52: 2 x 500-sheet tray—Tray 4



Assembly 52: 2 x 500-sheet tray—Tray 4

Asm-index	P/N	Units/opt	Units/FRU	Description	Removal procedure
1	40X9697	1	1	2 x 500-sheet tray 4 insert	--
2	40X9304	1	1	2 x 500-sheet tray lock lever	“Tray lock removal” on page 364
3	40X9033	1	1	2 x 500-sheet tray 4 right front cover	--
4	40X9320	1	1	2 x 500-sheet tray 4 handle cover	--
5	40X9186	1	1	2 x 500-sheet tray handle	--
6	40X9028	1	1	2 x 500-sheet tray 4 front cover	“Tray lock removal” on page 364
7	40X9305	4	1	Tray insert guide wheel	--

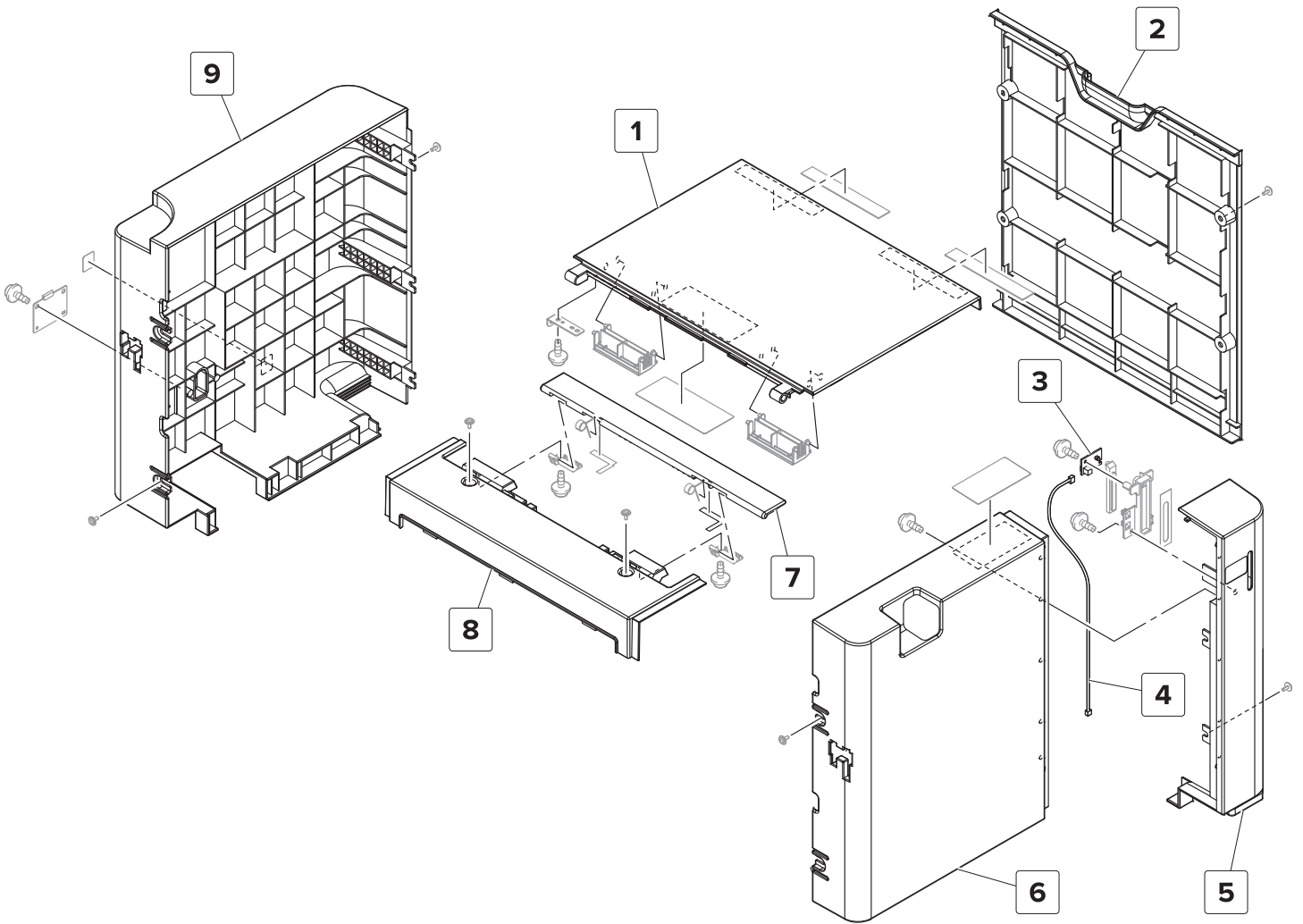
Assembly 53: 2 x 500-sheet tray—Tray 3 or Tray 4 frame



Assembly 53: 2 x 500-sheet tray—Tray 3 or Tray 4 frame

Asm-index	P/N	Units/opt	Units/FRU	Description	Removal procedure
1	40X9308	2	1	2 x 500-sheet tray near empty sensor actuator	--
2	40X9306	2	1	Tray insert paper length guide	"Tray insert paper length guide removal" on page 362
3	40X9309	2	1	2 x 500-tray insert paper length sensor actuator	--

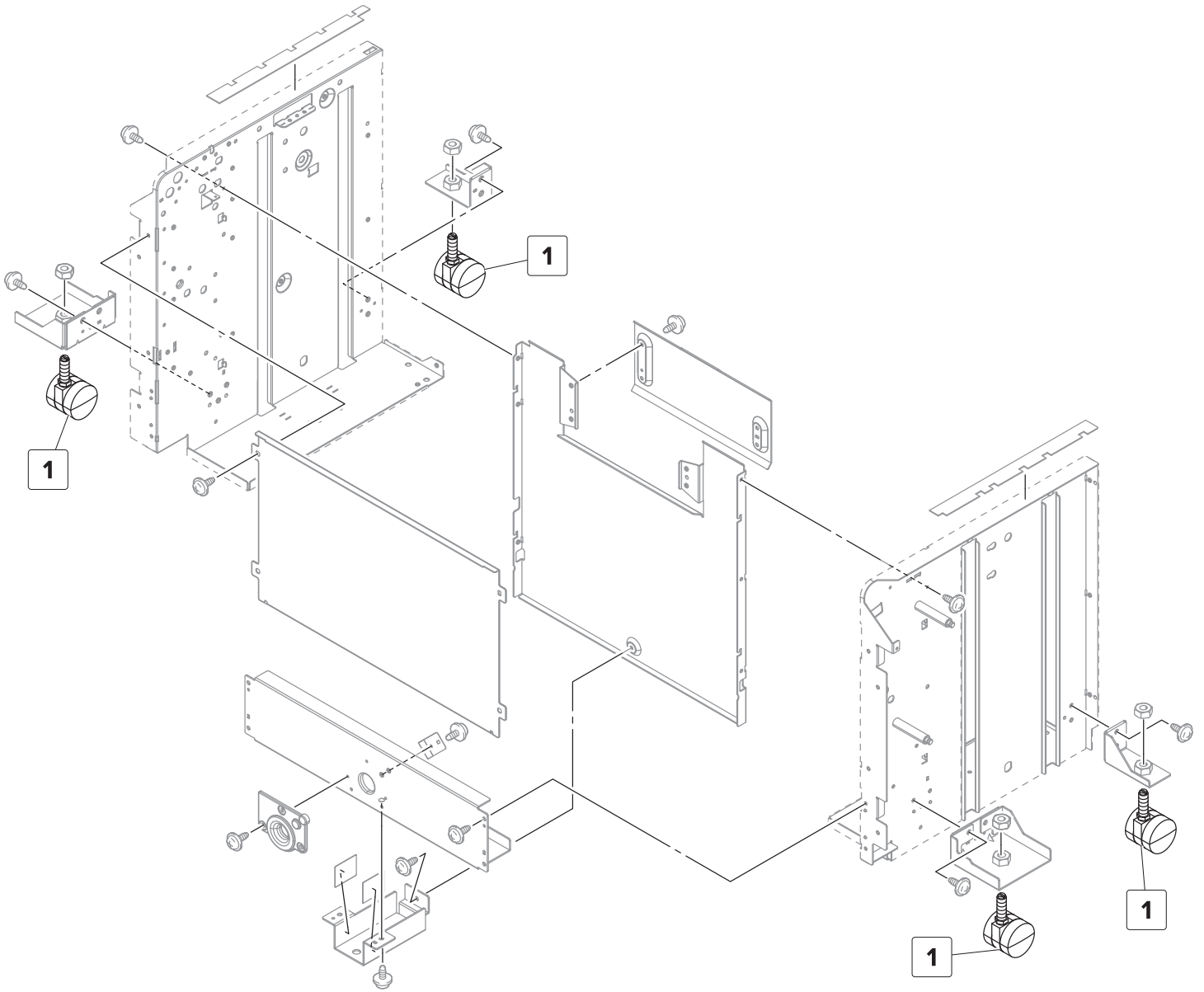
Assembly 54: 3000-sheet tray—Covers



Assembly 54: 3000-sheet tray—Covers

Asm-index	P/N	Units/opt	Units/FRU	Description	Removal procedure
1	40X9260	1	1	3000-sheet tray top door	“3000-sheet tray door removal” on page 394
2	40X9255	1	1	3000-sheet tray right cover	“3000-sheet tray right cover removal” on page 392
3	40X8903	1	1	3000-sheet tray empty LED	“3000-sheet tray empty LED removal” on page 397
4	40X9257	1	1	3000-sheet tray empty LED cable	--
5	40X9884	1	1	3000-sheet tray empty LED cover	“3000-sheet tray front cover removal” on page 392
6	40X9256	1	1	3000-sheet tray front cover	“3000-sheet tray front cover removal” on page 392
7	40X9259	1	1	3000-sheet tray slit cover	--
8	40X9765	1	1	3000-sheet tray left top cover	“3000-sheet tray left top cover removal” on page 395
9	40X9258	1	1	3000-sheet tray rear cover	“3000-sheet tray rear cover removal” on page 393

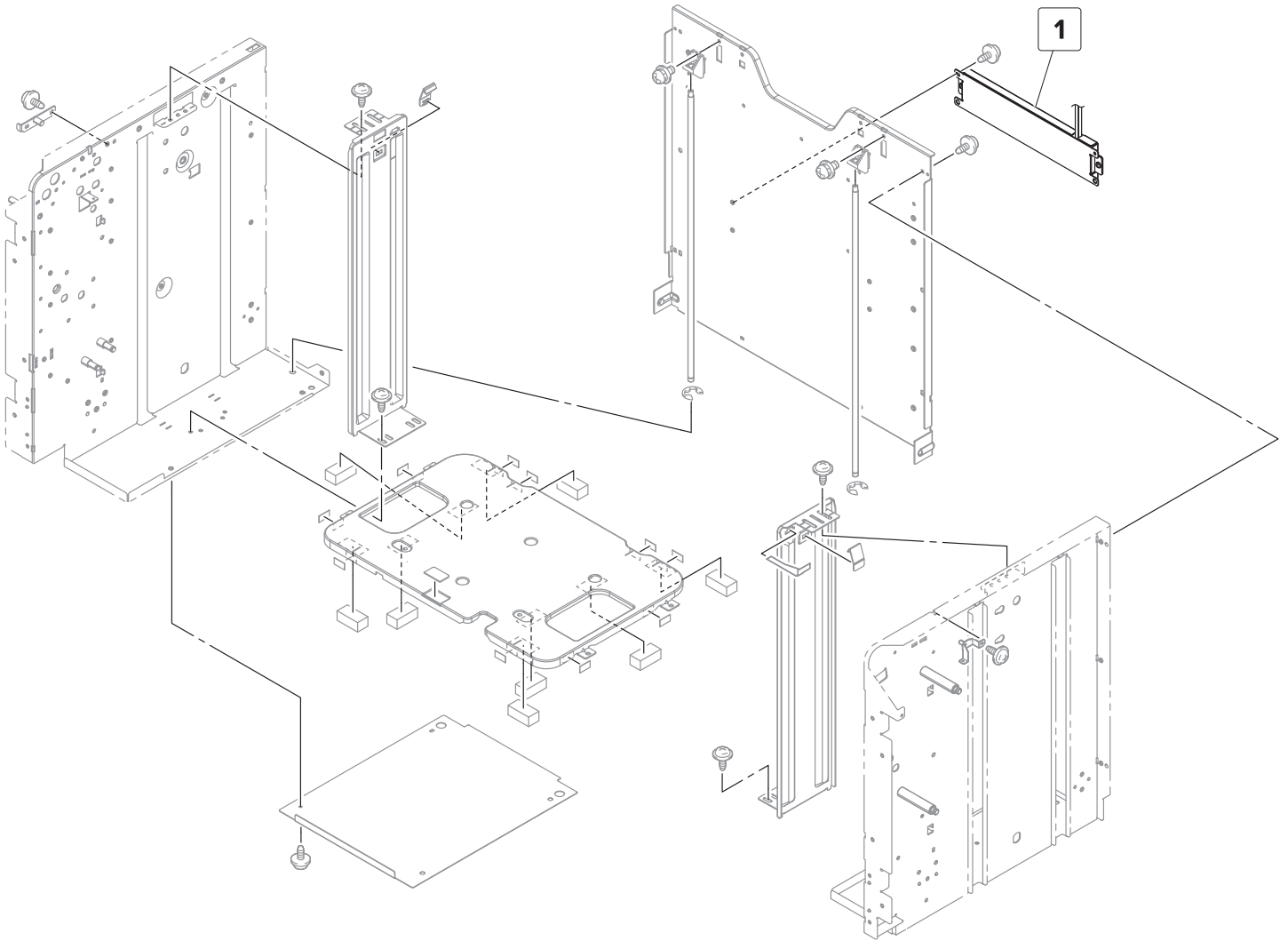
Assembly 55: 3000-sheet tray—Frame 1



Assembly 55: 3000-sheet tray—Frame 1

Asm-index	P/N	Units/opt	Units/FRU	Description	Removal procedure
1	40X9279	4	1	3000-sheet tray caster wheel	“3000-sheet tray caster wheel removal” on page 389

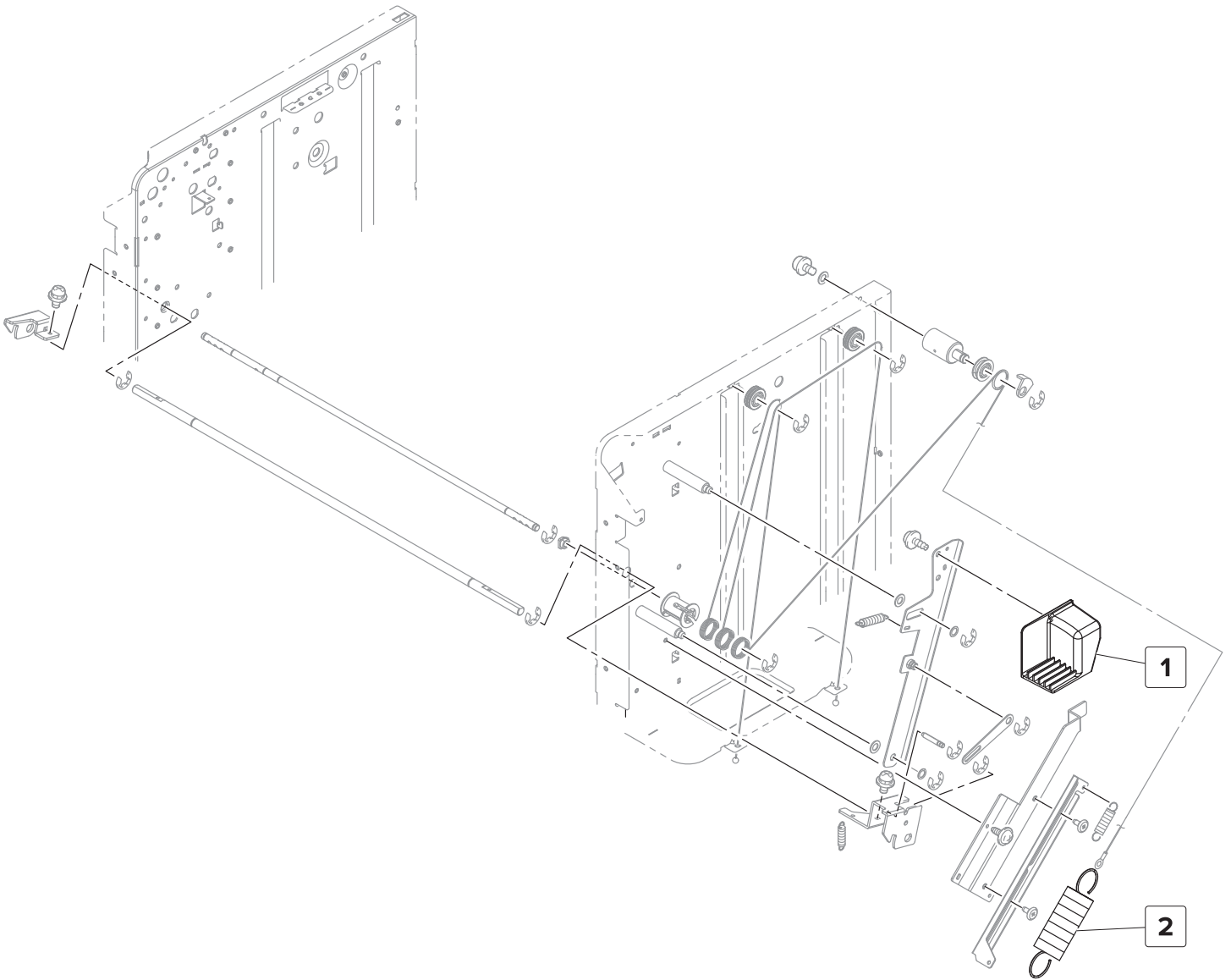
Assembly 56: 3000-sheet tray—Frame 2



Assembly 56: 3000-sheet tray—Frame 2

Asm-index	P/N	Units/opt	Units/FRU	Description	Removal procedure
1	40X9261	1	1	Dehumidifier	“Dehumidifier removal” on page 396

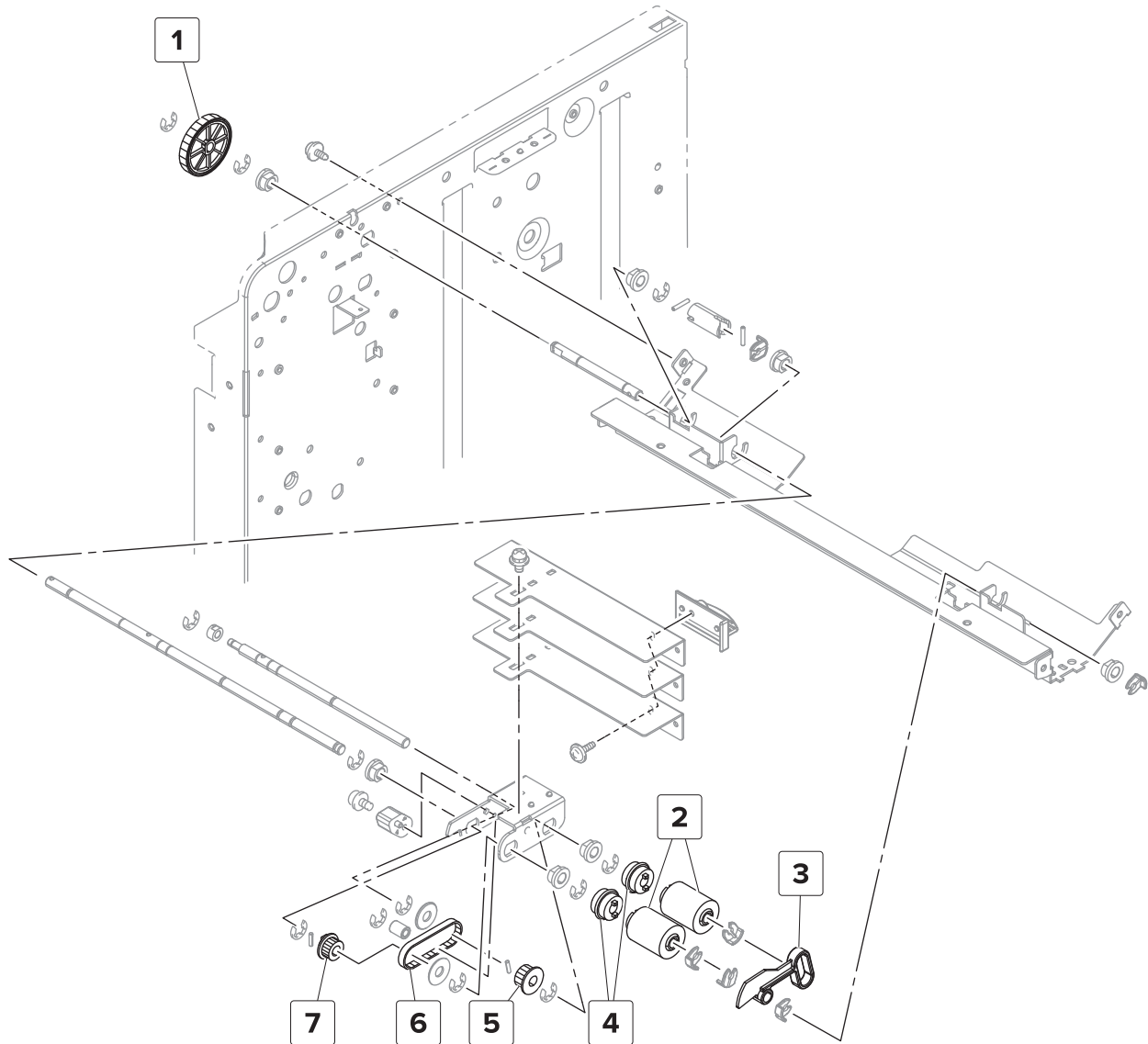
Assembly 57: 3000-sheet tray—Elevator front section



Assembly 57: 3000-sheet tray—Elevator front section

Asm-index	P/N	Units/opt	Units/FRU	Description	Removal procedure
1	40X9275	1	1	3000-sheet tray release handle	“3000-sheet tray release handle removal” on page 390
2	40X9276	1	1	3000-sheet tray elevator spring	“3000-sheet tray elevator spring removal” on page 400

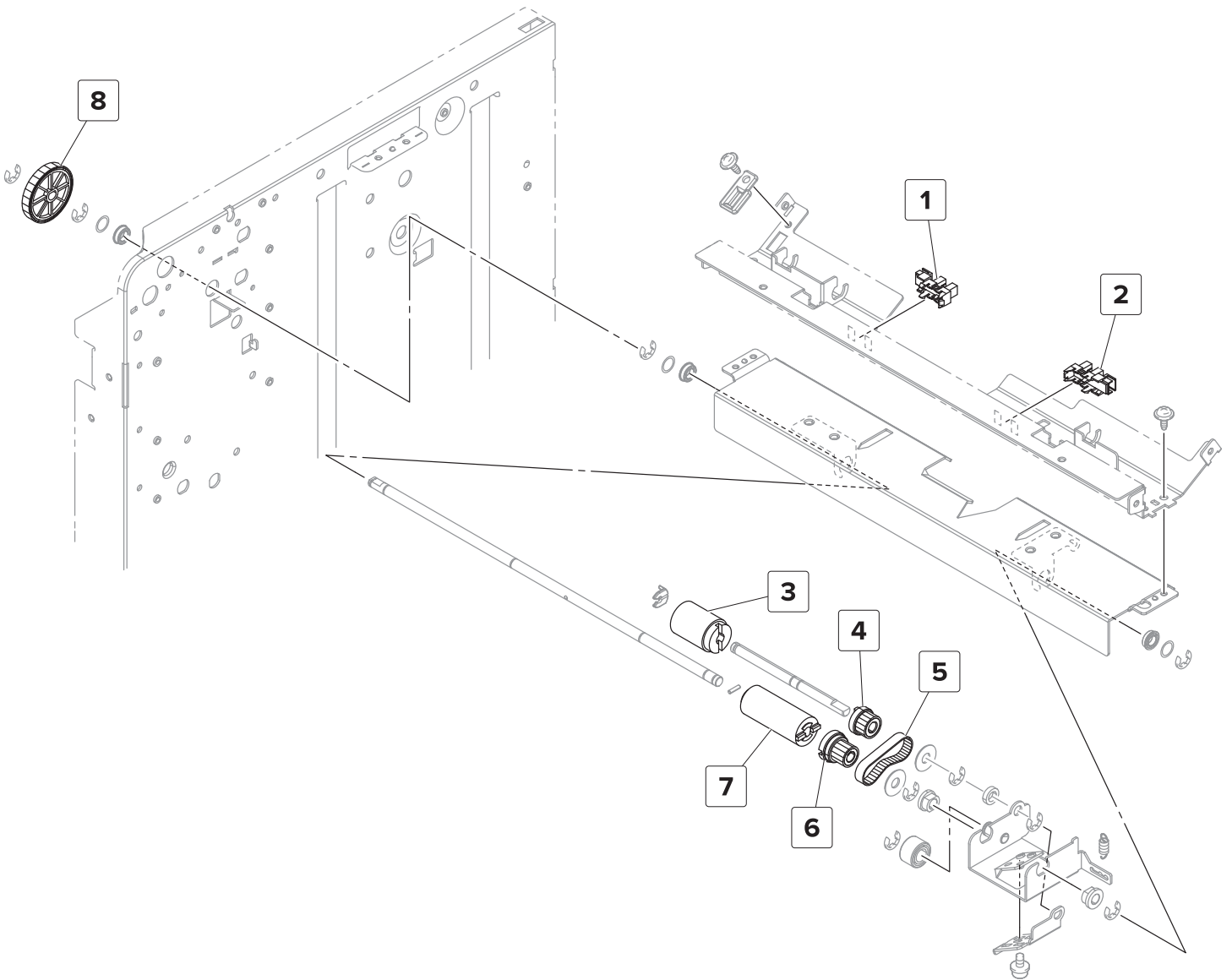
Assembly 58: 3000-sheet tray—Paper feed 1



Assembly 58: 3000-sheet tray—Paper feed 1

Asm-index	P/N	Units/opt	Units/FRU	Description	Removal procedure
1	40X9886	1	1	3000-sheet tray feed and pick drive gear	“3000-sheet tray pick roller assembly removal” on page 410
2	40X9267	2	1	Feed and pick roller	“3000-sheet tray rollers removal” on page 385
3	40X9881	1	1	3000-sheet tray empty sensor actuator	“3000-sheet tray rollers removal” on page 385
4	40X9297	2	1	3000-sheet tray roller clutch	“3000-sheet tray rollers removal” on page 385
5	40X9048	1	1	3000-sheet tray pick gear	“3000-sheet tray feed and pick belt removal” on page 387
6	40X9268	1	1	3000-sheet tray feed and pick belt	“3000-sheet tray feed and pick belt removal” on page 387
7	40X9772	1	1	3000-sheet tray feed gear	“3000-sheet tray feed and pick belt removal” on page 387

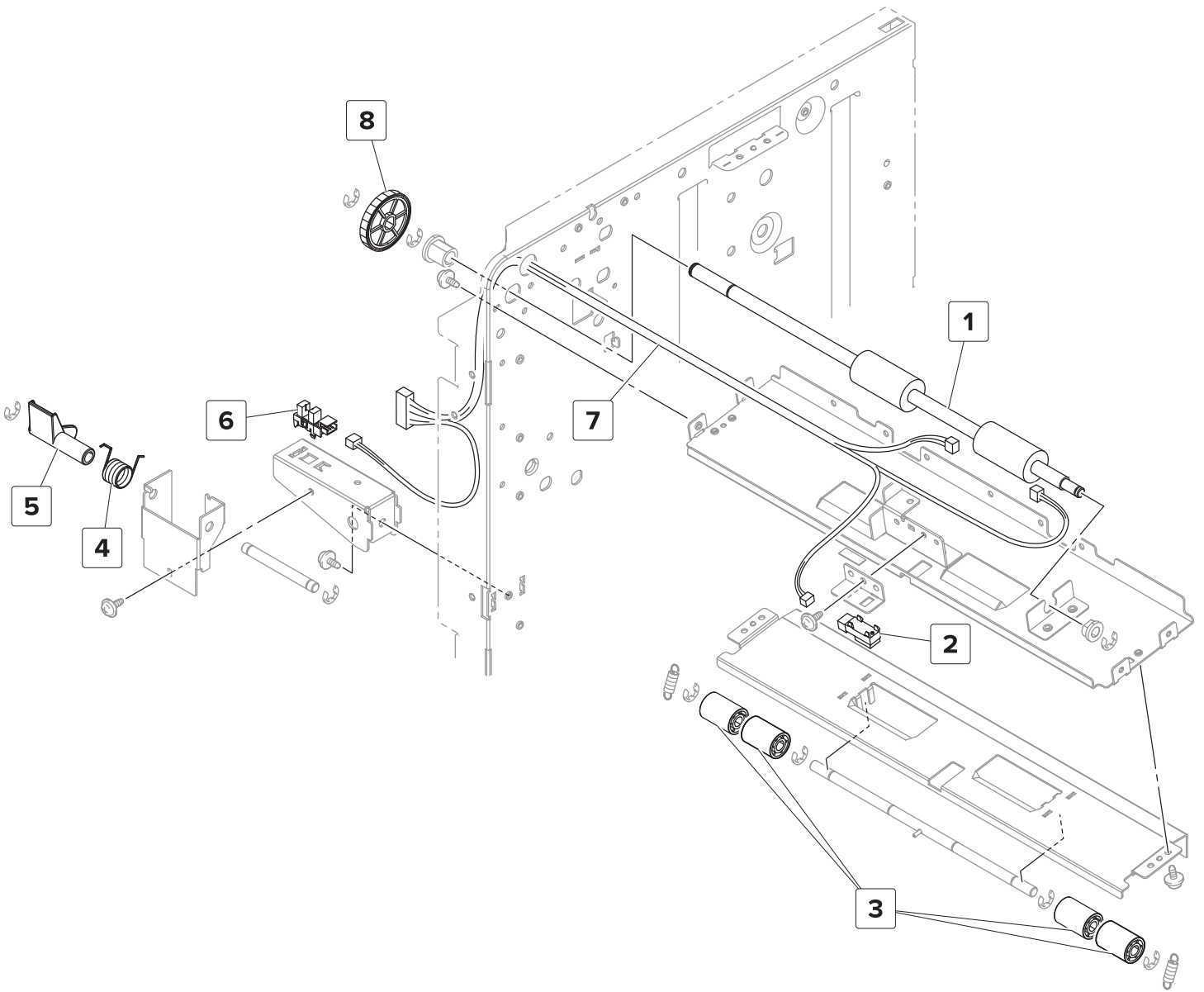
Assembly 59: 3000-sheet tray—Paper feed 2



Assembly 59: 3000-sheet tray—Paper feed 2

Asm-index	P/N	Units/opt	Units/FRU	Description	Removal procedure
1	40X9880	1	1	Sensor (3000-sheet tray elevator level)	“Sensor (3000-sheet tray elevator level) removal” on page 398
2	40X9880	1	1	Sensor (3000-sheet tray empty)	“Sensor (3000-sheet tray empty) removal” on page 397
3	40X9267	1	1	3000-sheet tray separator roller	“3000-sheet tray feed roller assembly removal” on page 407
4	40X9887	1	1	3000-sheet tray separator roller secondary gear	“3000-sheet tray feed roller assembly removal” on page 407
5	40X9271	1	1	3000-sheet tray separator belt	“3000-sheet tray feed roller assembly removal” on page 407
6	40X9773	1	1	3000-sheet tray separator roller primary gear	“3000-sheet tray feed roller assembly removal” on page 407
7	40X9888	1	1	3000-sheet tray separator roller clutch	“3000-sheet tray feed roller assembly removal” on page 407
8	40X9886	1	1	3000-sheet tray separator roller drive gear	“3000-sheet tray feed roller assembly removal” on page 407

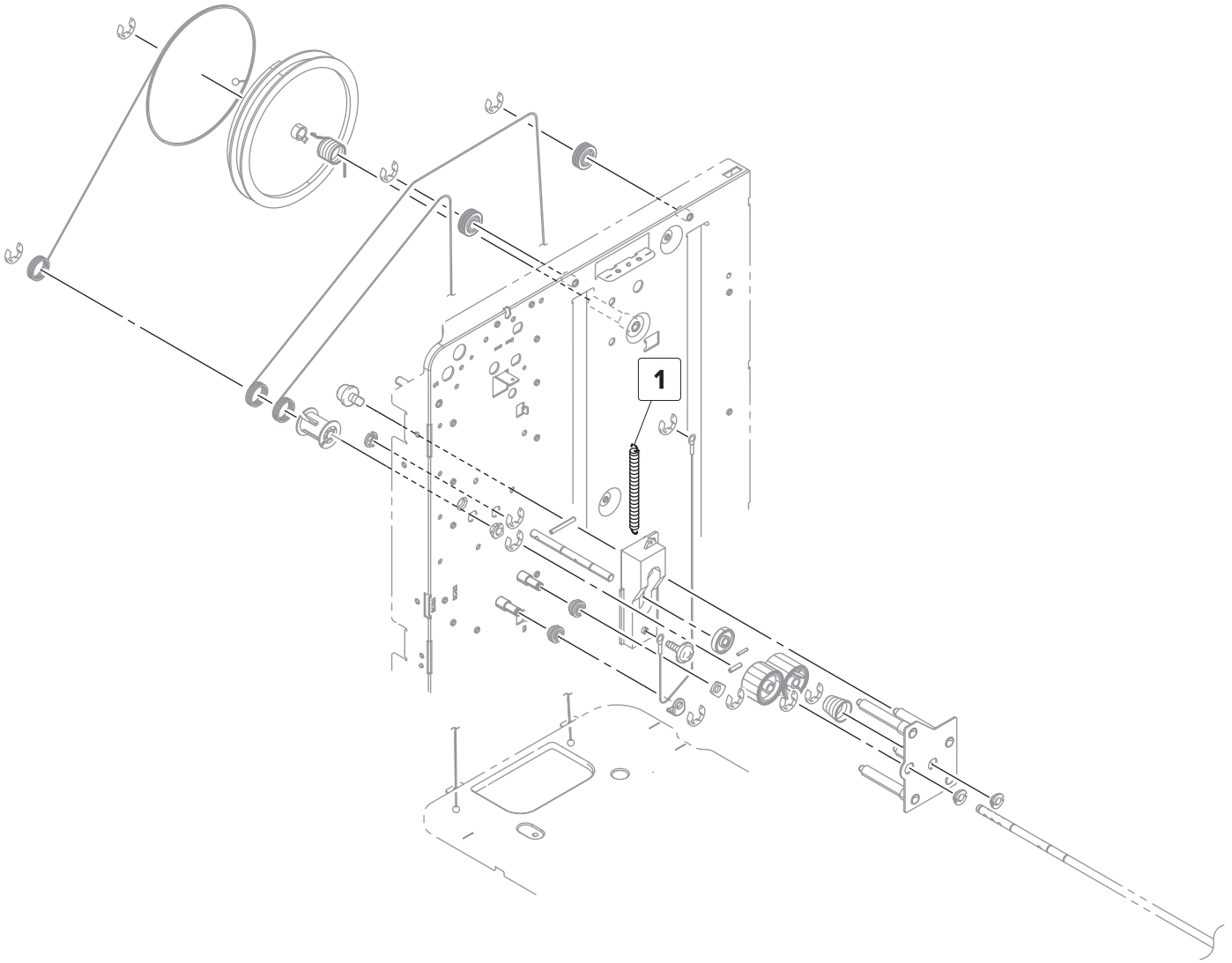
Assembly 60: 3000-sheet tray—Paper transport



Assembly 60: 3000-sheet tray—Paper transport

Asm-index	P/N	Units/opt	Units/FRU	Description	Removal procedure
1	40X9273	1	1	3000-sheet tray transport roller	“3000-sheet tray feed roller assembly removal” on page 407
2	40X9885	1	1	Sensor (3000-sheet tray feed)	“Sensor (3000-sheet tray feed) removal” on page 399
3	40X9790	2	1	Spring	“3000-sheet tray feed roller assembly removal” on page 407
4	40X9771	4	1	3000-sheet tray transport idler roller	“3000-sheet tray feed roller assembly removal” on page 407
5	40X9373	1	1	3000-sheet tray set sensor actuator spring	“3000-sheet tray set sensor actuator removal” on page 402
6	40X9040	1	1	3000-sheet tray set sensor actuator	“3000-sheet tray set sensor actuator removal” on page 402
7	40X9880	1	1	Sensor (3000-sheet tray set)	“Sensor (3000-sheet tray set) removal” on page 403
8	40X8929	1	1	3000-sheet tray feed sensor cable	--
9	40X9769	1	1	3000-sheet tray transport roller drive gear	“3000-sheet tray feed roller assembly removal” on page 407

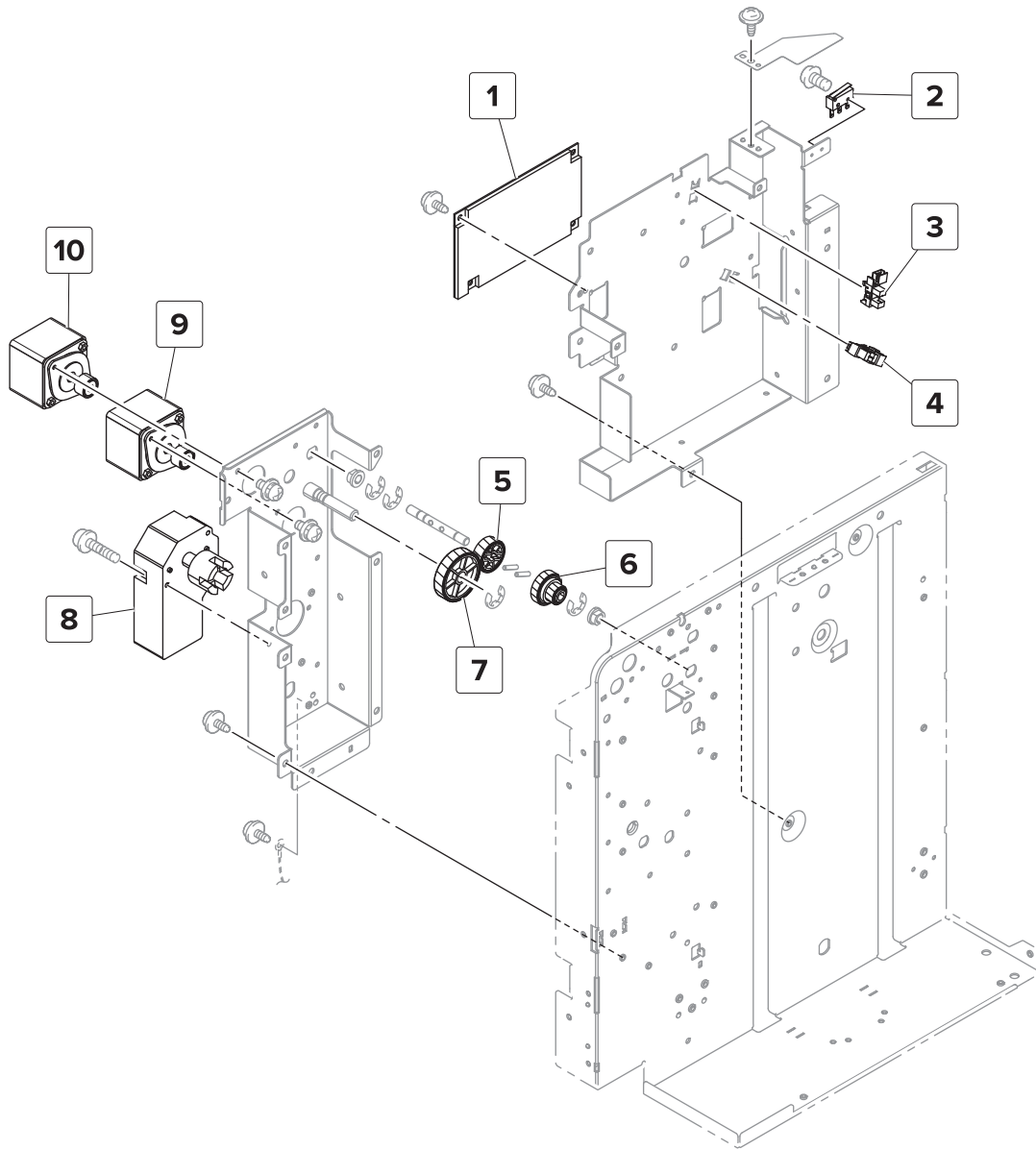
Assembly 61: 3000-sheet tray—Elevator rear section



Assembly 61: 3000-sheet tray—Elevator rear section

Asm-index	P/N	Units/opt	Units/FRU	Description	Removal procedure
1	40X9277	1	1	3000-sheet tray elevator release spring	--

Assembly 62: 3000-sheet tray—Drive section



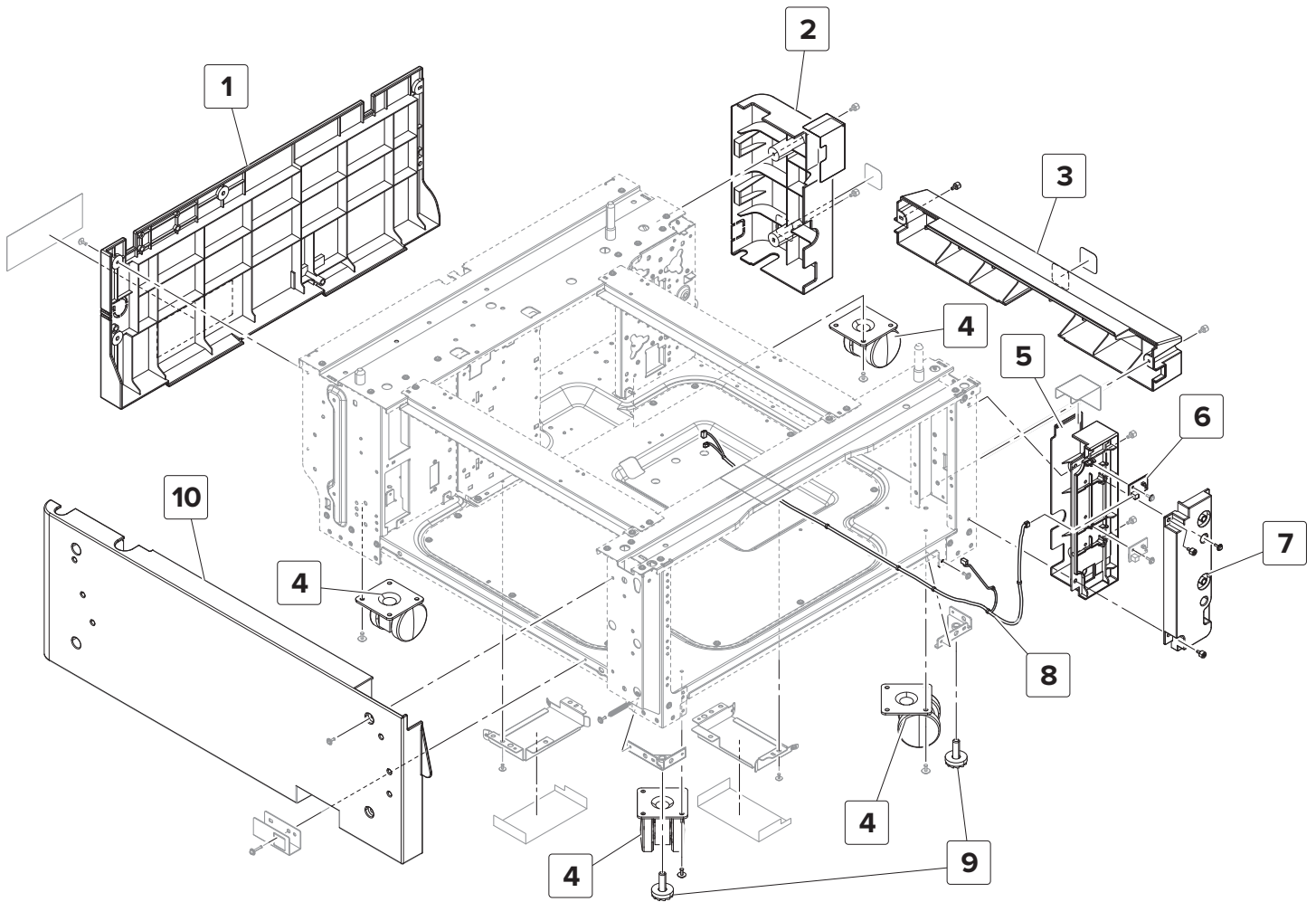
Assembly 62: 3000-sheet tray—Drive section

Asm-index	P/N	Units/opt	Units/FRU	Description	Removal procedure
1	40X9262	1	1	3000-sheet tray controller board	“3000-sheet tray controller board removal” on page 400
2	40X9266	1	1	3000-sheet tray door switch	“3000-sheet tray door switch removal” on page 401
3	40X9880	1	1	Sensor (3000-sheet tray near empty 1)	“Sensor (3000-sheet tray near empty) removal” on page 404
4	40X9880	1	1	Sensor (3000-sheet tray near empty 2)	“Sensor (3000-sheet tray near empty) removal” on page 404
5	40X9767	1	1	3000-sheet tray feed motor idler gear	“3000-sheet tray feed roller assembly removal” on page 407
6	40X9766	1	1	3000-sheet tray feed and pick idler gear	“3000-sheet tray feed roller assembly removal” on page 407
7	40X9768	1	1	3000-sheet tray feed motor gear	“Motor (3000-sheet tray elevator) removal” on page 402
8	40X9264	1	1	Motor (3000-sheet tray elevator)	“Motor (3000-sheet tray elevator) removal” on page 402
9	40X9269	1	1	Motor (3000-sheet tray feed)	“3000-sheet tray feed and transport motors removal” on page 406
10	40X9269	1	1	Motor (3000-sheet tray transport)	“3000-sheet tray feed and transport motors removal” on page 406

Assembly 63: 3000-sheet tray—Wiring

Asm-index	P/N	Units/opt	Units/FRU	Description	Removal procedure
NS	40X9202	1	1	3000-sheet tray controller board cable	--
NS	40X9698	1	1	3000-sheet tray interface cable	--

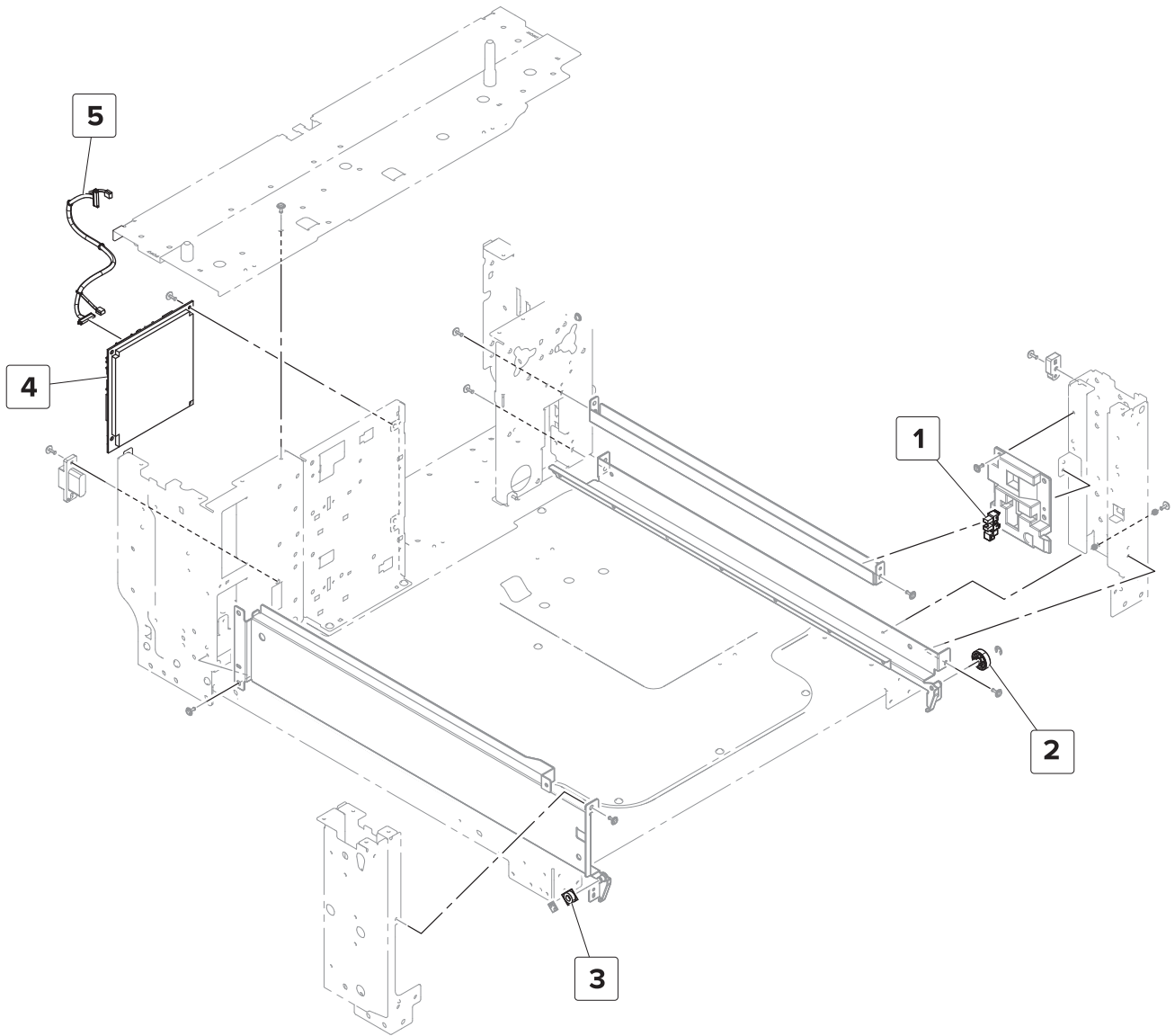
Assembly 64: 2500-sheet tray covers



Assembly 64: 2500-sheet tray covers

Asm-index	P/N	Units/opt	Units/FRU	Description	Removal procedure
1	40X9280	1	1	2500-sheet tray rear cover	“2500-sheet tray rear cover removal” on page 335
2	40X9779	1	1	2500-sheet tray rear right cover	“2500-sheet tray rear right cover removal” on page 335
3	40X9285	1	1	2500-sheet tray bottom right cover	“2500-sheet tray lower right cover removal” on page 334
4	40X9282	4	1	Caster wheel	“2500-sheet tray caster wheel removal” on page 331
5	40X9286	1	1	2500-sheet tray LED mount	--
6	40X8903	1	1	Tray empty LED	“2500-sheet tray empty LED removal” on page 334
7	40X9287	1	1	2500-sheet tray LED cover	“2500-sheet tray LED cover removal” on page 332
8	40X9782	1	1	Tray empty LED cable	--
9	40X9283	2	1	Tray stopper	“2500-sheet tray stopper removal” on page 348
10	40X9281	1	1	2500-sheet tray left cover	“2500-sheet tray left cover removal” on page 333

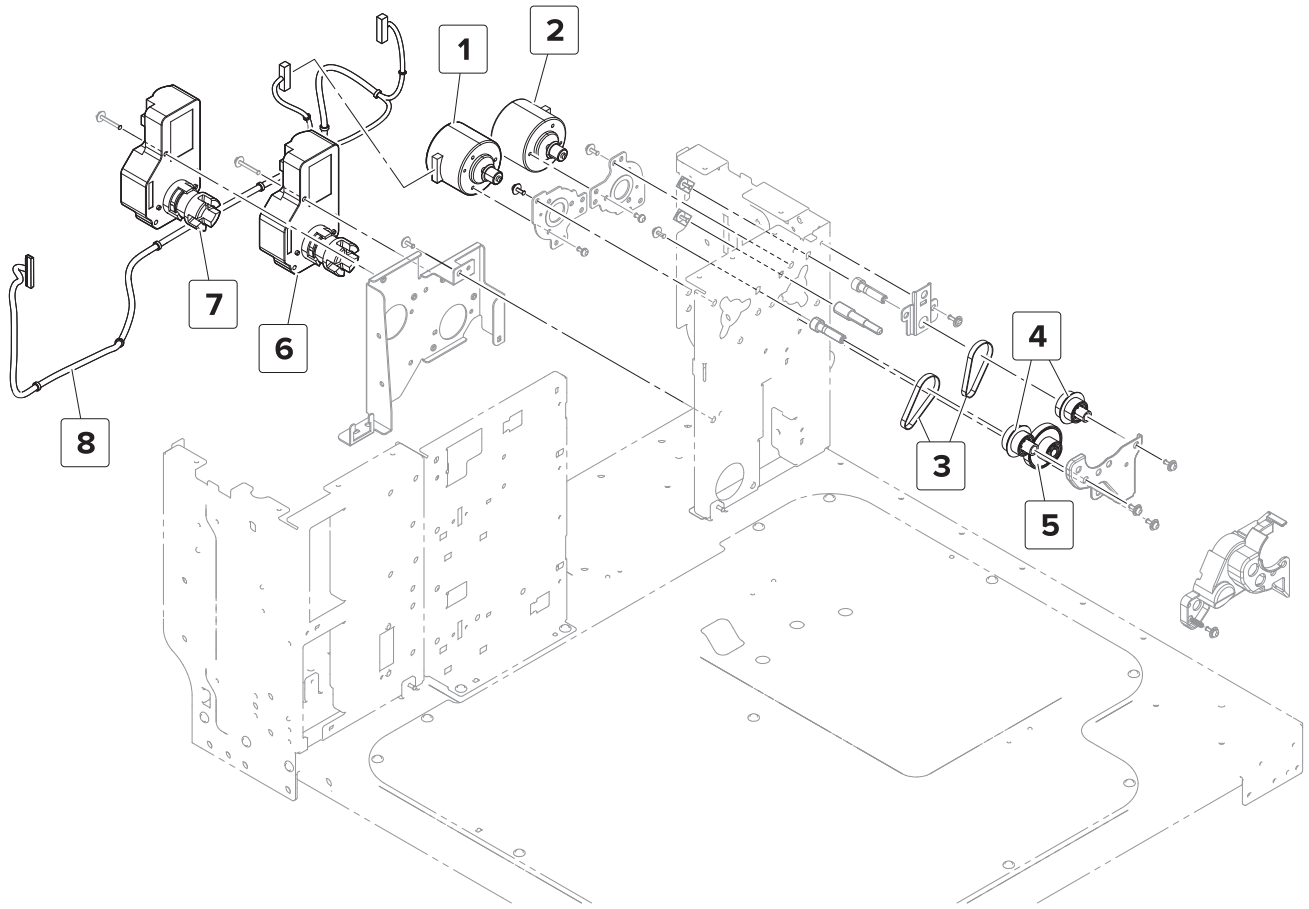
Assembly 65: 2500-sheet tray frame



Assembly 65: 2500-sheet tray frame

Asm-index	P/N	Units/opt	Units/FRU	Description	Removal procedure
1	40X8869	1	1	Sensor (2500-sheet tray set)	--
2	40X8981	1	1	Tray rail guide wheel	--
3	40X9784	1	1	Tray insert guide wheel	--
4	40X9785	1	1	2500-sheet tray controller board	"2500-sheet tray controller board removal" on page 332
5	40X9783	1	1	2500-sheet tray interface cable	--

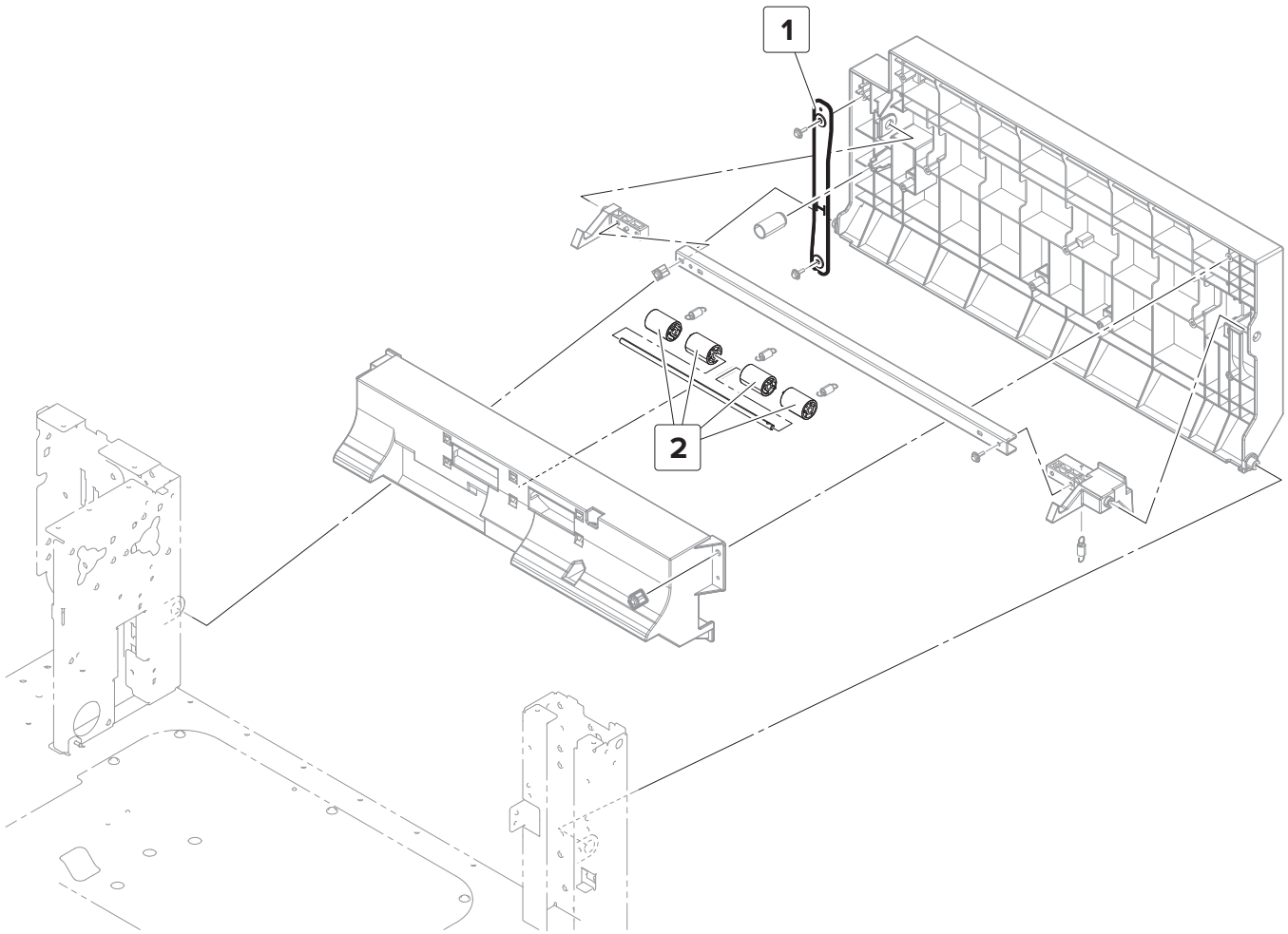
Assembly 66: 2500-sheet tray paper feed



Assembly 66: 2500-sheet tray paper feed

Asm-index	P/N	Units/opt	Units/FRU	Description	Removal procedure
1	40X9293	1	1	Motor (2500-sheet tray feed)	“Motor (2500-sheet tray feed) removal” on page 349
2	40X9293	1	1	Motor (2500-sheet tray transport)	“Motor (2500-sheet tray transport) removal” on page 351
3	40X9294	2	1	2500-sheet tray feed and transport motor belt	--
4	40X9891	2	1	2500-sheet tray feed and transport primary gear	--
5	40X9295	1	1	2500-sheet tray feed and transport secondary gear	--
6	40X9896	1	1	Motor (2500-sheet tray elevator)	“Motor (2500-sheet tray elevator) removal” on page 349
7	40X9896	1	1	Motor (2500-sheet tray transfer guide)	“Motor (2500-sheet tray transfer guide) removal” on page 350
8	40X9882	1	1	2500-sheet tray feed and transport motor cable	--

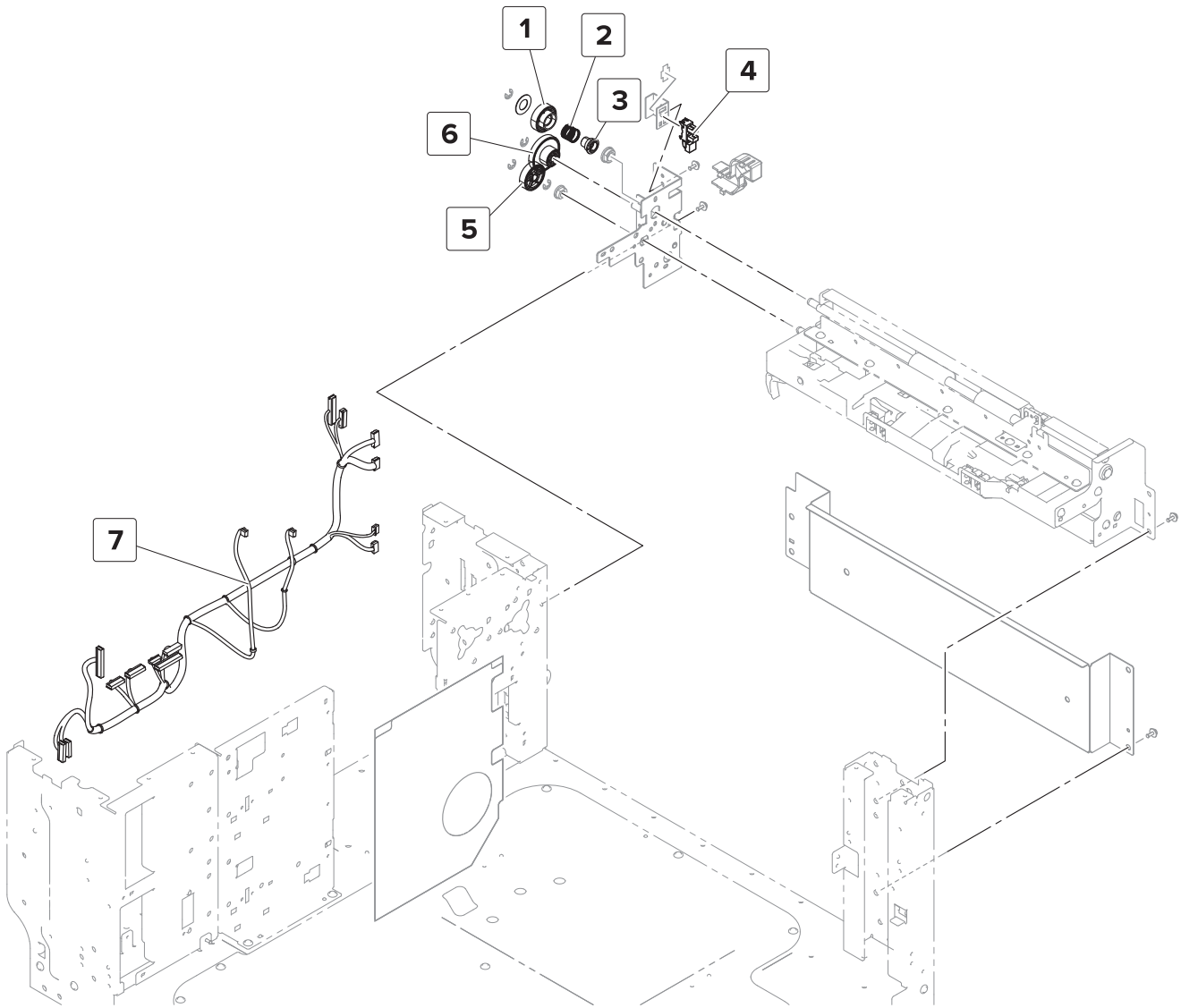
Assembly 67: 2500-sheet tray paper transport



Assembly 67: 2500-sheet tray paper transport

Asm-index	P/N	Units/opt	Units/FRU	Description	Removal procedure
1	40X9908	1	1	2500-sheet tray jam access door strap	“2500-sheet tray jam access door strap removal” on page 344
2	40X8973	4	1	Transport idler roller	--

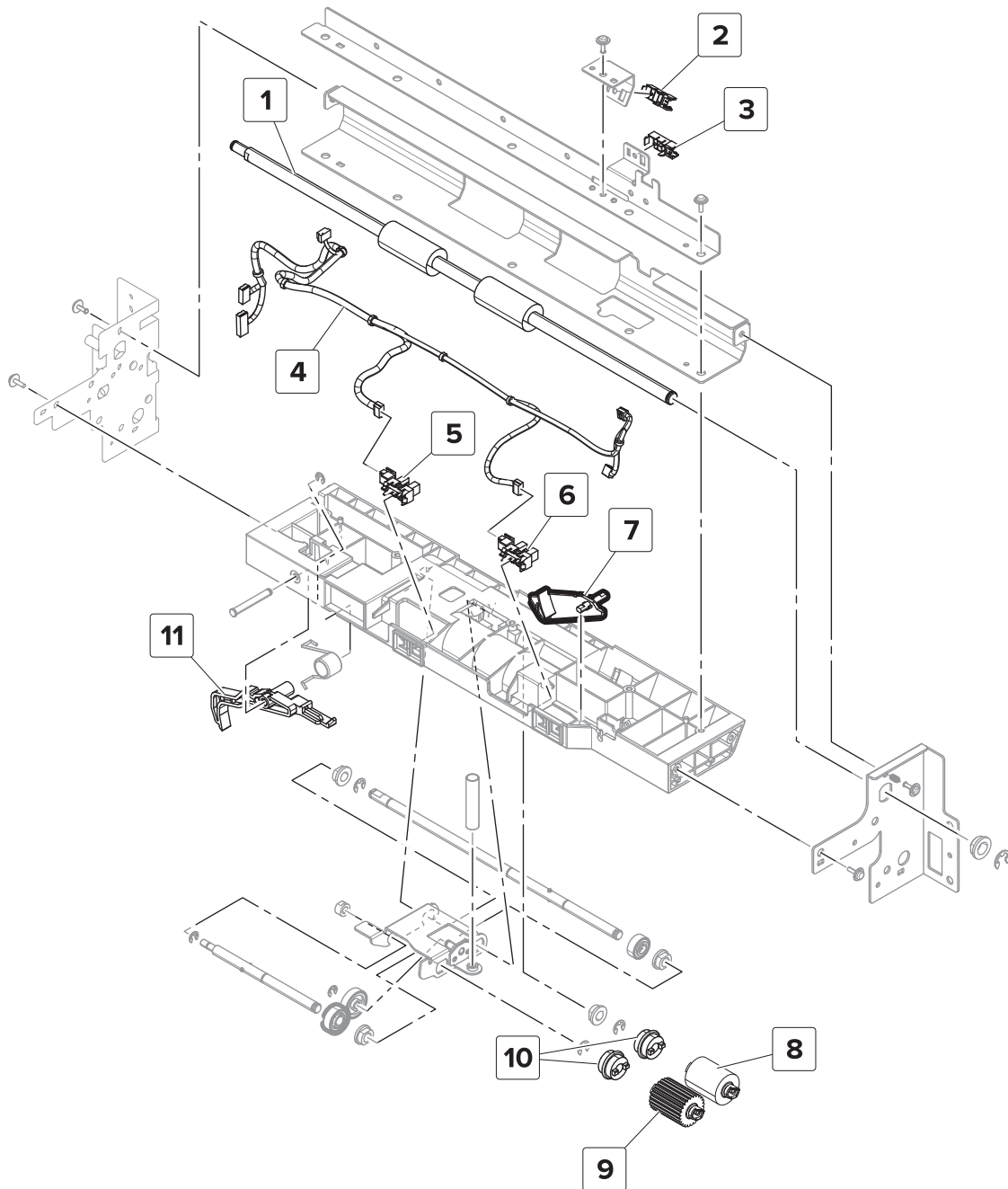
Assembly 68: 2500-sheet tray paper pick 1



Assembly 68: 2500-sheet tray paper pick 1

Asm-index	P/N	Units/opt	Units/FRU	Description	Removal procedure
1	40X9298	1	1	2500-sheet tray transport gear	--
2	40X9892	1	1	2500-sheet tray transport gear spring	--
3	40X9893	1	1	2500-sheet tray transport gear bushing	--
4	40X9313	1	1	Sensor (2500-sheet tray jam access door)	“Sensor (2500-sheet tray jam access door) removal” on page 352
5	40X9894	1	1	2500-sheet tray feed primary gear	--
6	40X9295	1	1	2500-sheet tray feed secondary gear	--
7	40X9786	1	1	2500-sheet tray cable harness	--

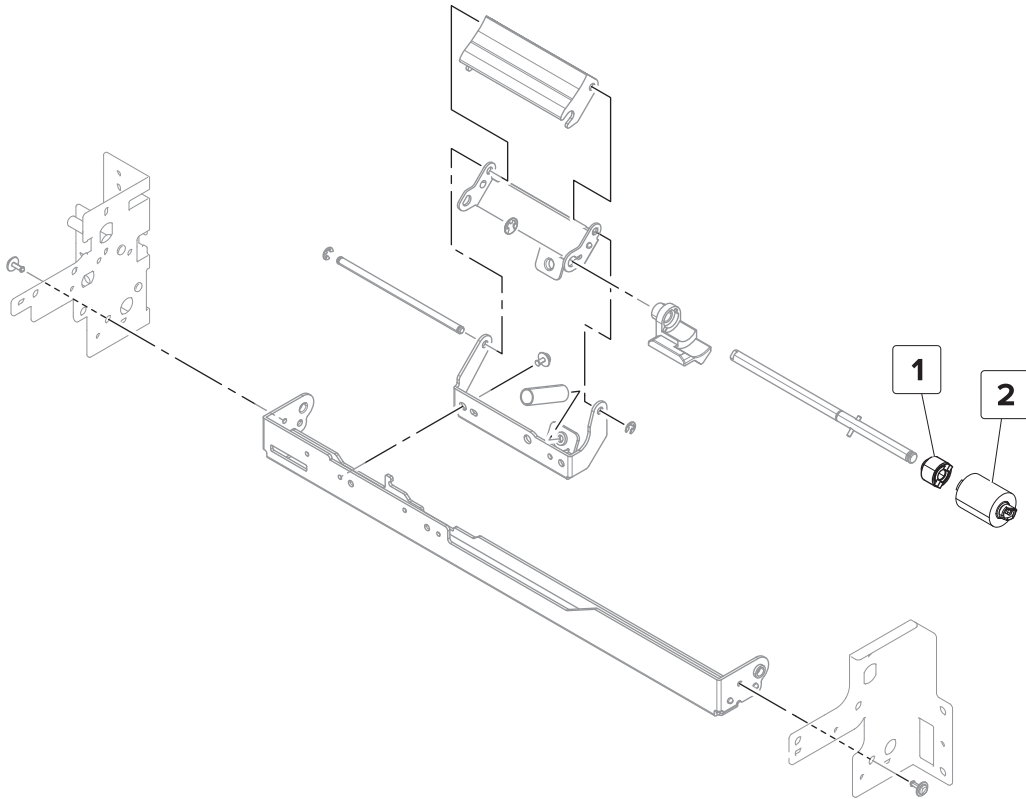
Assembly 69: 2500-sheet tray paper pick 2



Assembly 69: 2500-sheet tray paper pick 2

Asm-index	P/N	Units/opt	Units/FRU	Description	Removal procedure
1	40X9299	1	1	2500-sheet tray transport roller	“2500-sheet tray transport roller removal” on page 341
2	40X8968	1	1	Sensor (2500-sheet tray feed)	“Sensor (2500-sheet tray feed) removal” on page 356
3	40X8968	1	1	Sensor (2500-sheet tray transport)	“Sensor (2500-sheet tray transport) removal” on page 359
4	40X9787	1	1	2500-sheet tray pick assembly sensor cable	--
5	40X8869	1	1	Sensor (2500-sheet tray main tray elevator limit)	“Sensor (2500-sheet tray main tray elevator limit) removal” on page 356
6	40X8869	1	1	Sensor (2500-sheet tray main tray paper empty, top)	“Sensor (2500-sheet tray main tray paper empty, top) removal” on page 355
7	40X9899	1	1	2500-sheet tray main tray top paper empty actuator	--
8	40X8970	1	1	Feed roller	--
9	40X9925	1	1	Pick roller	--
10	40X9981	2	1	Roller clutch	--
11	40X9982	1	1	2500-sheet tray tray set actuator	--

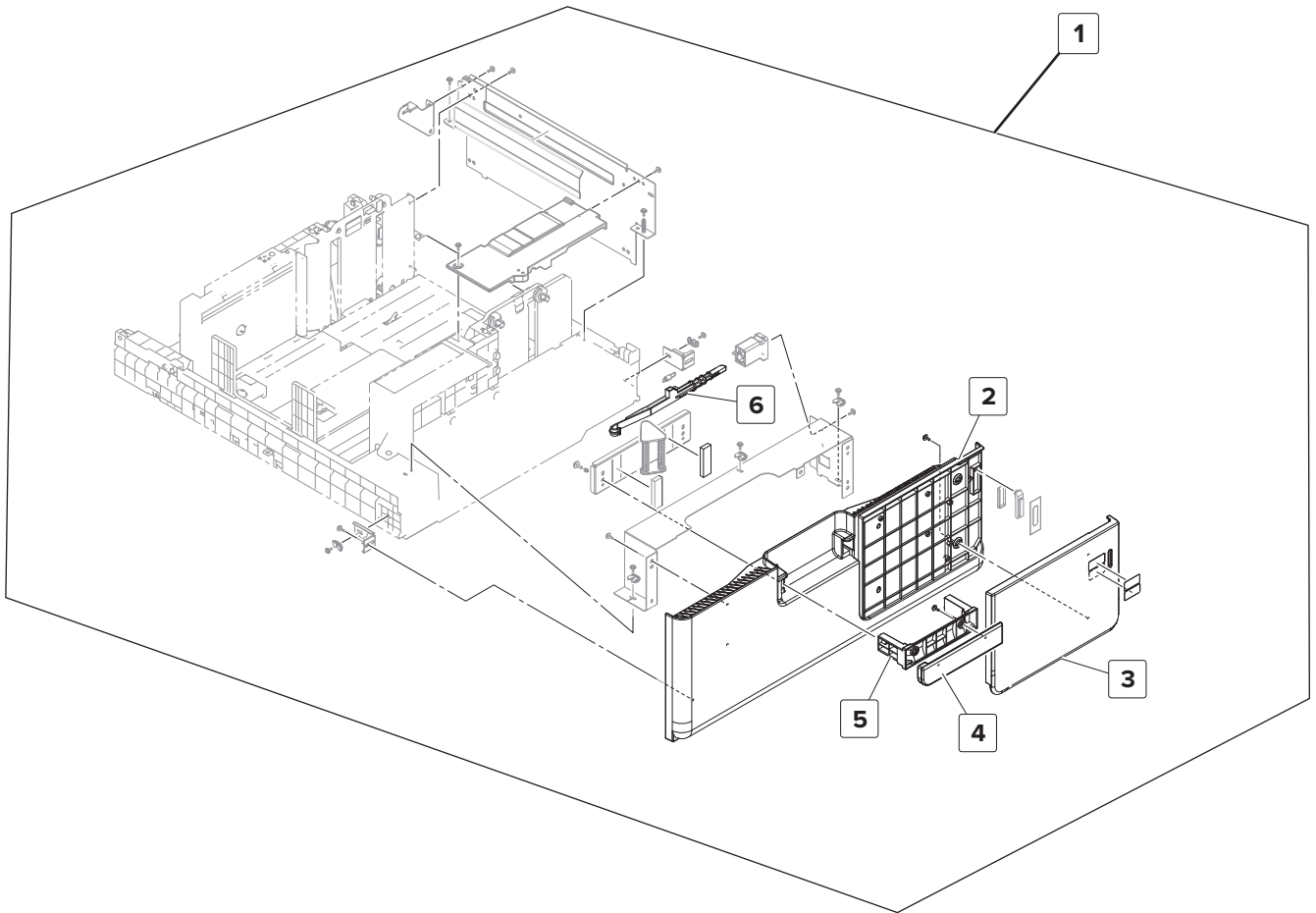
Assembly 70: 2500-sheet tray paper pick 3



Assembly 70: 2500-sheet tray paper pick 3

Asm-index	P/N	Units/opt	Units/FRU	Description	Removal procedure
1	40X9455	1	1	Separator clutch	--
2	40X8970	1	1	Separator roller	--

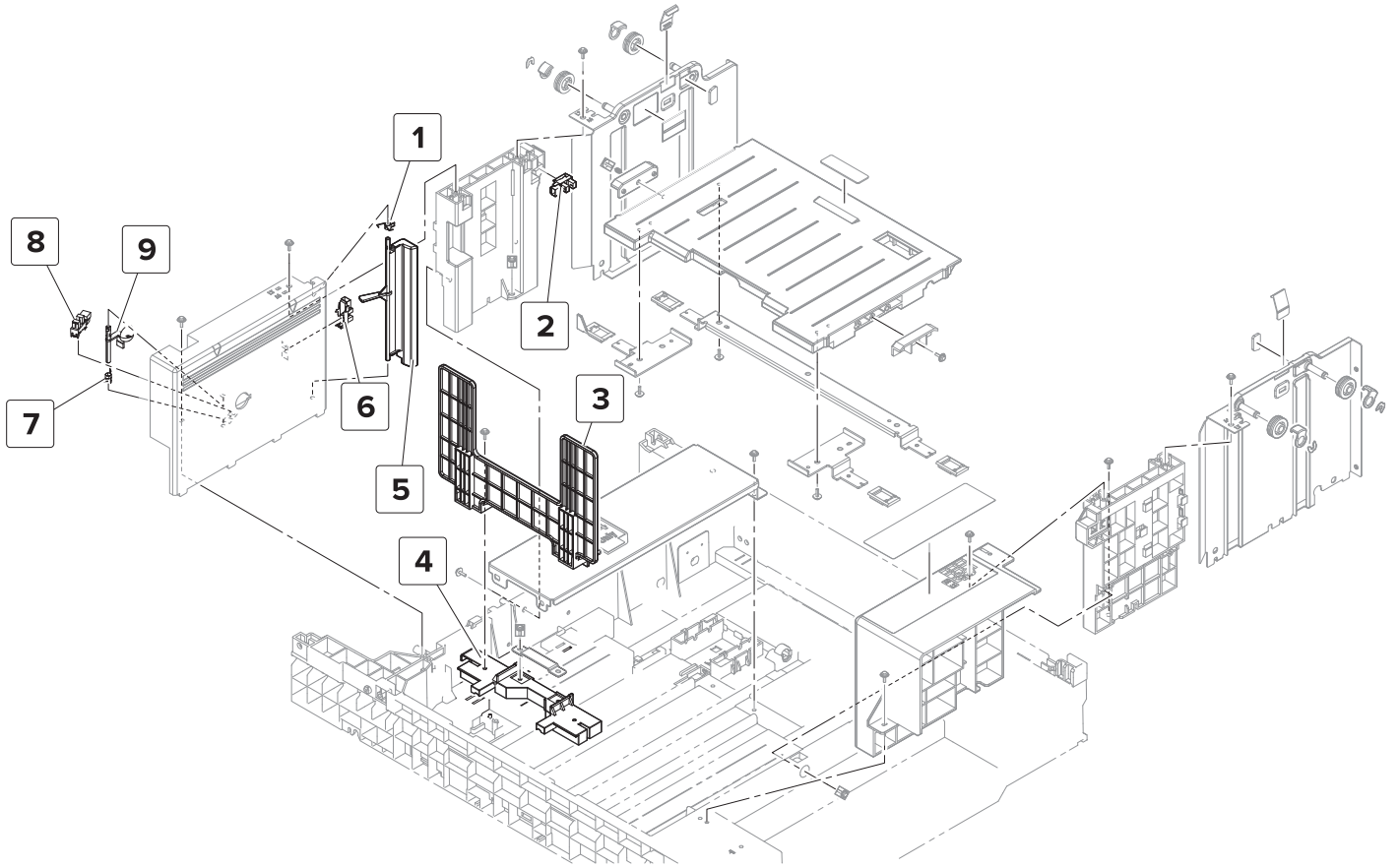
Assembly 71: 2500-sheet tray insert 1



Assembly 71: 2500-sheet tray insert 1

Asm-index	P/N	Units/opt	Units/FRU	Description	Removal procedure
1	40X9602	1	1	2500-sheet tray insert (LTR)	--
1	40X9576	1	1	2500-sheet tray insert (A4)	--
2	40X9789	1	1	2500-sheet tray front cover	--
3	40X9339	1	1	2500-sheet tray right front cover	--
4	40X9320	1	1	2500-sheet tray handle cover	--
5	40X9186	1	1	2500-sheet tray handle	--
6	40X9788	1	1	2500-sheet tray lock lever	--

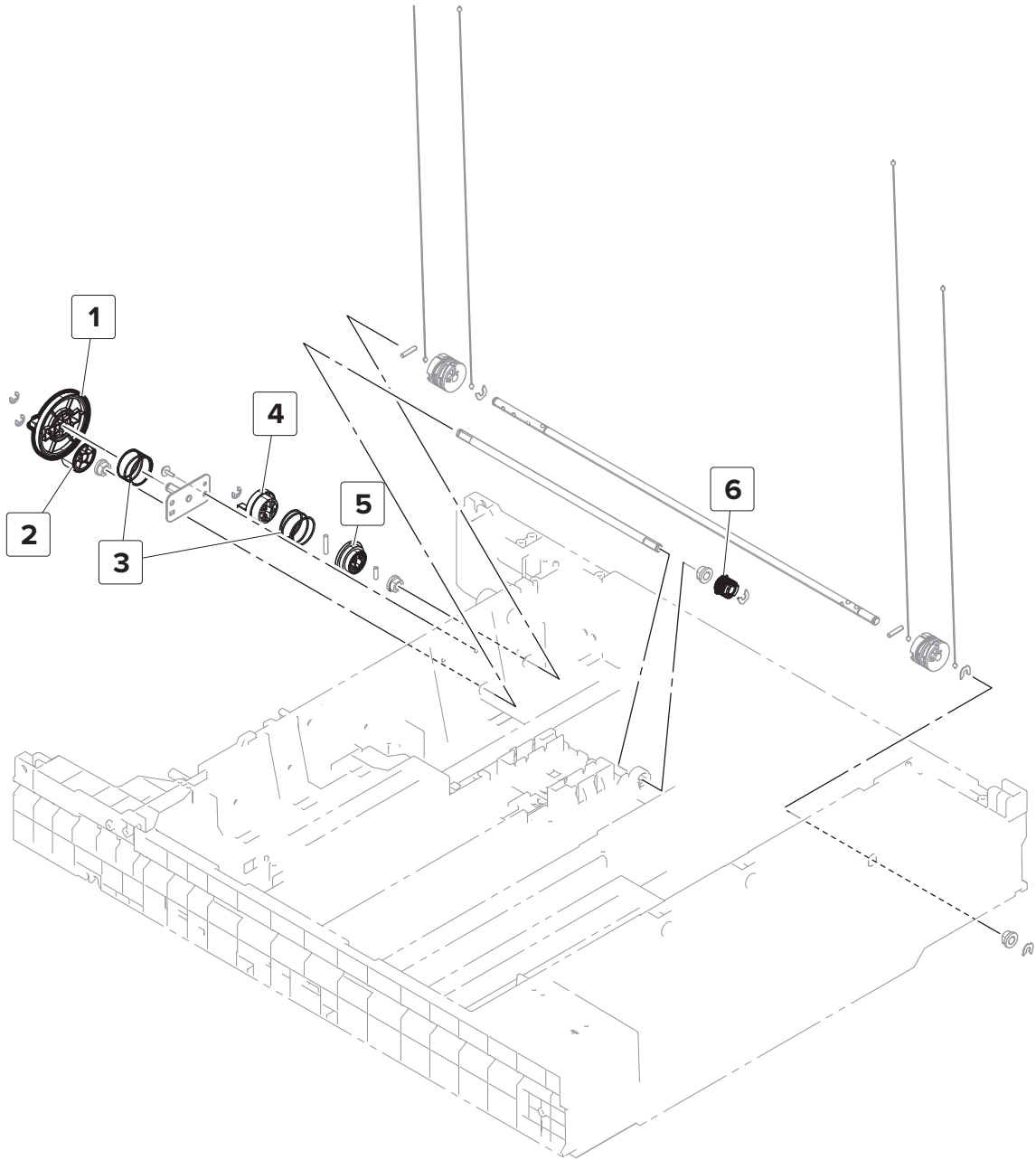
Assembly 72: 2500-sheet tray insert 2



Assembly 72: 2500-sheet tray insert 2

Asm-index	P/N	Units/opt	Units/FRU	Description	Removal procedure
1	40X9794	1	1	Paper stack transfer sensor actuator spring	--
2	40X8869	1	1	Sensor (main tray near empty)	“Sensor (2500-sheet tray main tray near empty) removal” on page 355
3	40X9792	1	1	Paper stack transfer guide	“2500-sheet tray paper stack transfer guide removal” on page 346
4	40X9791	1	1	Paper stack transfer guide base	“2500-sheet tray paper stack transfer guide removal” on page 346
5	40X9793	1	1	Paper stack transfer sensor actuator	--
6	40X8869	1	1	Sensor (paper stack transfer)	“Sensor (2500-sheet paper stack transfer) removal” on page 353
7	40X9883	1	1	Reserve tray paper limit sensor actuator spring	--
8	40X8869	1	1	Sensor (reserve tray paper limit)	“Sensor (2500-sheet tray reserve tray paper limit) removal” on page 358
9	40X9900	1	1	Reserve tray paper limit sensor actuator	“2500-sheet reserve tray paper limit sensor actuator removal” on page 340

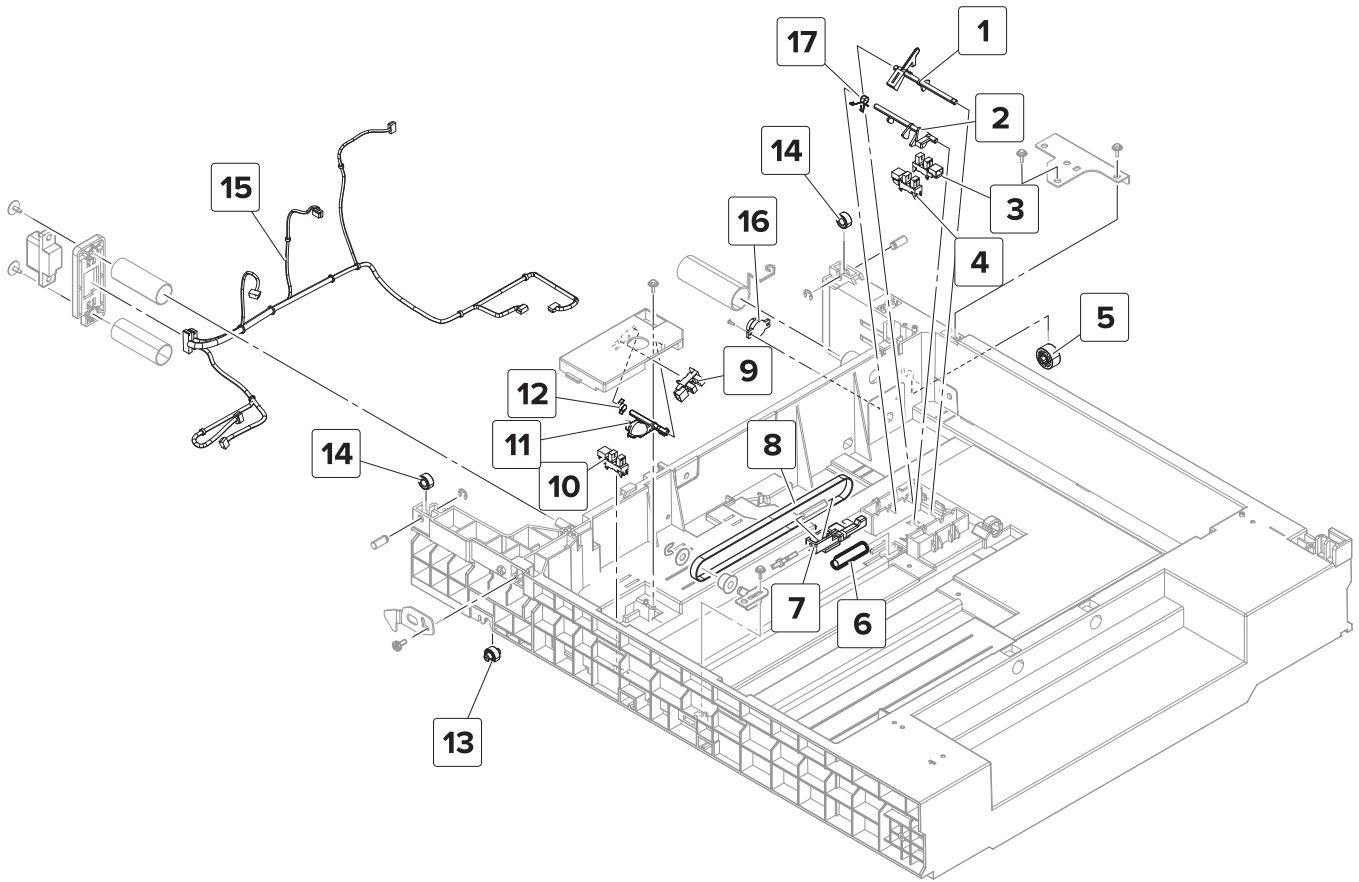
Assembly 73: 2500-sheet tray insert 3



Assembly 73: 2500-sheet tray insert 3

Asm-index	P/N	Units/opt	Units/FRU	Description	Removal procedure
1	40X9796	1	1	Transfer guide primary gear	--
2	40X9798	1	1	Main tray elevator coupling	--
3	40X9901	2	1	Main tray elevator gear spring	--
4	40X9902	1	1	Main tray elevator gear	--
5	40X9797	1	1	Transfer guide primary gear spring	--
6	40X9795	1	1	Transfer guide secondary gear	--

Assembly 74: 2500-sheet tray insert 4



Assembly 74: 2500-sheet tray insert 4

Asm-index	P/N	Units/opt	Units/FRU	Description	Removal procedure
1	40X9802	1	1	2500-sheet tray empty sensor actuator	"2500-sheet tray empty sensor actuator removal" on page 337
2	40X9801	1	1	2500-sheet tray elevator home sensor actuator	"2500-sheet tray elevator home sensor actuator removal" on page 338
3	40X8869	1	1	Sensor (main tray empty, bottom)	"Sensor (2500-sheet tray main tray empty, bottom) removal" on page 354
4	40X8869	1	1	Sensor (2500-sheet tray elevator home)	"Sensor (2500-sheet tray elevator home) removal" on page 353
5	40X9799	1	1	Tray insert bottom right guide wheel	--
6	40X9804	1	1	2500-sheet tray transfer guide stop spring	--
7	40X9803	1	1	2500-sheet tray transfer guide stop	"2500-sheet tray transfer guide stop removal" on page 339
8	40X9808	1	1	Transfer guide belt	--
9	40X8869	1	1	Sensor (reserve tray empty)	"Sensor (2500-sheet tray reserve tray empty) removal" on page 357
10	40X8869	1	1	Sensor (transfer guide home)	--
11	40X9900	1	1	Reserve tray empty sensor actuator	"2500-sheet reserve tray empty sensor actuator removal" on page 347
12	40X9883	1	1	Reserve tray empty sensor actuator spring	"2500-sheet reserve tray empty sensor actuator removal" on page 347
13	40X9805	1	1	Tray insert bottom left guide wheel	--
14	40X9305	2	1	Tray insert guide wheel	--
15	40X9809	1	1	2500-sheet tray tray insert sensor cable	--
16	40X9806	1	1	2500-sheet tray elevator damper	--
17	40X9800	1	1	2500-sheet tray elevator home sensor actuator spring	--

Assembly 75: Maintenance kits

Asm-index	P/N	Units/mach	Units/FRU	Description	Removal procedure
NS	40X9669	1	1	Maintenance kit, 300K—includes: <ul style="list-style-type: none"> • Pick roller • Feed/separator roller • Imaging unit maintenance kit 	--
NS	40X9673	1	1	Maintenance kit, 200K—MPF includes: <ul style="list-style-type: none"> • MPF feed roller • MPF separator roller 	--

Assembly 76: Miscellaneous

Asm-index	P/N	Units/mach	Units/FRU	Description	Removal procedure
NS	41X0007	1	1	Forms and Bar code card	N/A
NS	41X0009	1	1	IPDS card	N/A
NS	41X0008	1	1	PRESCRIBE card	N/A
NS	41X0030	1	1	Keyboard kit, English	N/A
NS	41X0031	1	1	Keyboard kit, French	N/A
NS	41X0032	1	1	Keyboard kit, Italian	N/A
NS	41X0033	1	1	Keyboard kit, German	N/A
NS	41X0034	1	1	Keyboard kit, Spanish	N/A