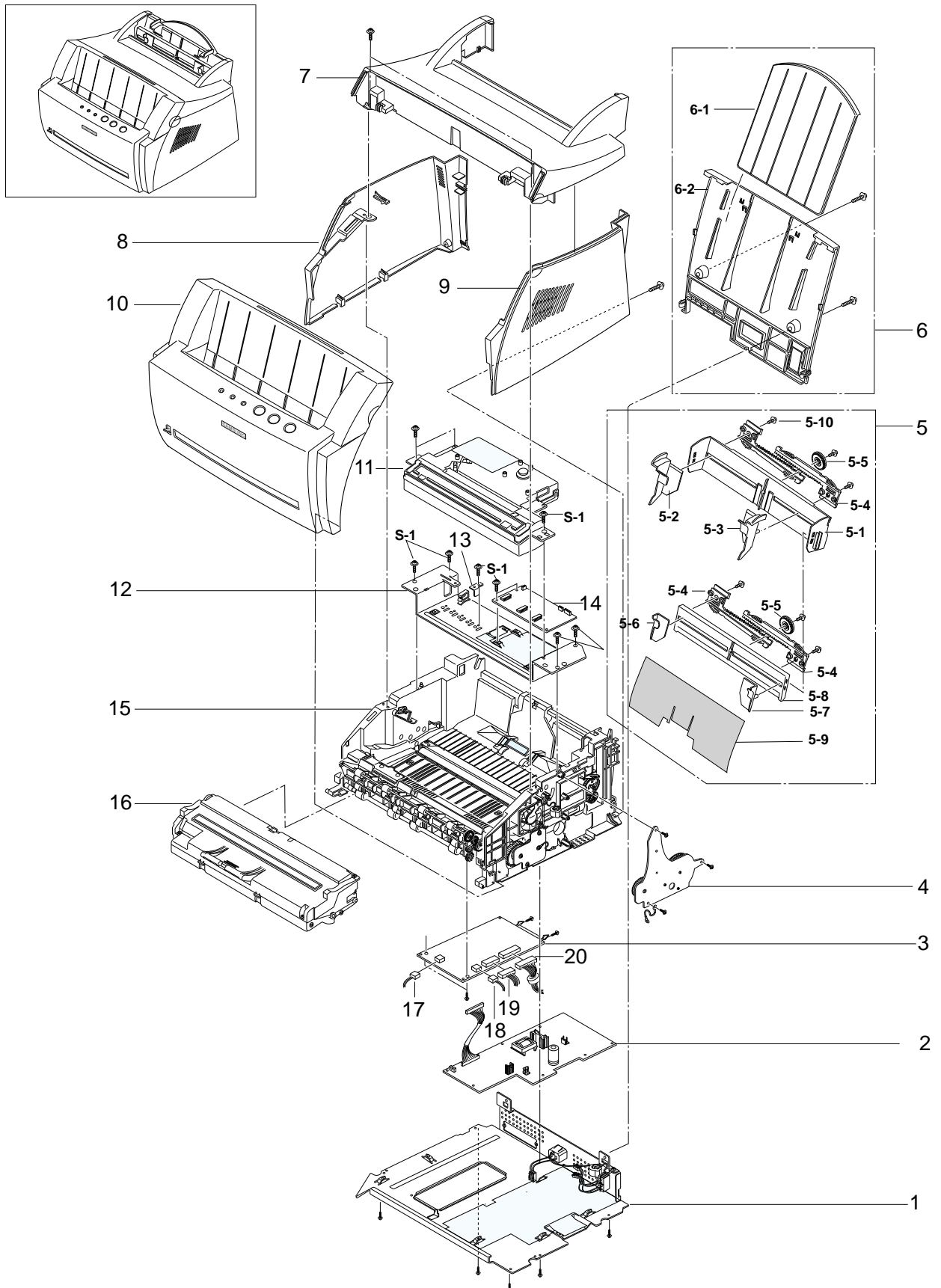


5. Exploded Views and Parts Lists



- 5-1 Main Exploded View**
- 5-2 Front Exploded View**
- 5-3 Engine/Frame Lower Exploded View**
- 5-4 Fuser Exploded View**
- 5-5 Shield Engine Unit Exploded View**
- 5-6 RX Drive Exploded View**
- 5-7 Plate-Upper Unit Exploded View**

5-1 Main Exploded View



Main Parts Lists

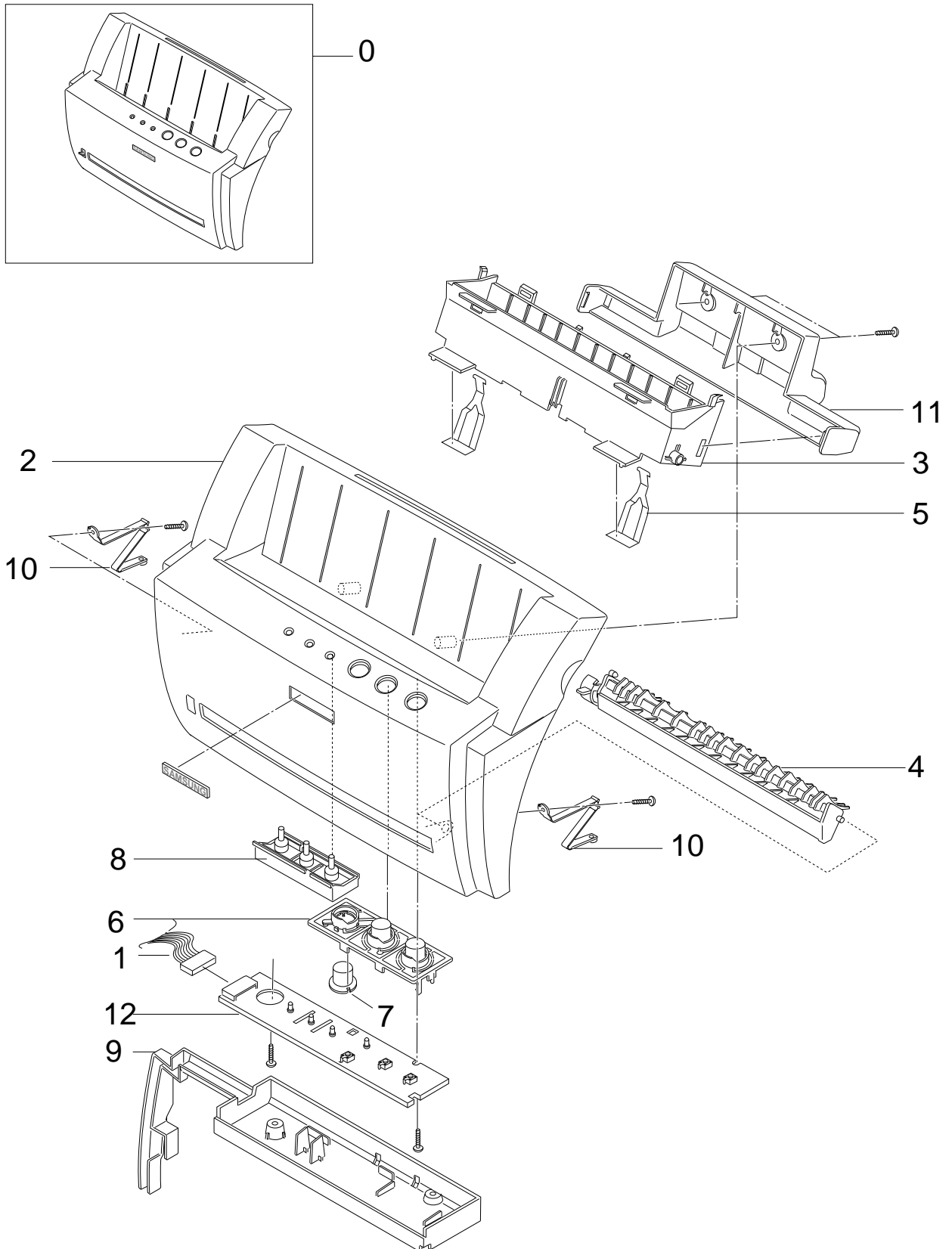
SA. : Service Available

Location No.	Description	SEC. Code	Q'ty	SA	Remark
1	ELA-HOU-SHIELD ENGINE	*	1	X	
2	 SMPS-4500 V1	JC44-00015A	1	O	110V
2	SMPS-4500 V2	JC44-00016A	1	O	220V
3	PBA MAIN CTRL-GDI	JC92-01271A	1	O	
4	ELA HOU-RX DRIVE	JC96-01755A	1	O	
5	MEC-TRAY(P)	JC75-00099A	1	O	
5-1	PMO-TRAY_AUTO	*	1	X	
5-2	PMO-ADJUST_AUTO, L	*	1	X	
5-3	PMO-ADJUST_AUTO, R	*	1	X	
5-4	PMO-GEAR_ADJUST RACK	*	4	X	
5-5	PMO-GEAR_PINION	*	2	X	
5-6	PMO-ADJUST MANUAL, L	*	1	X	
5-7	PMO-ADJUST MANUAL, R	*	1	X	
5-8	TRAY MANUAL, PAPER	*	1	X	
5-9	FILM MANUAL	*	1	X	
5-10	TAPTITE-SCREW	*	6	X	
6	MEC-COVER REAR	JC75-00094A	1	O	
6-1	PMO-TRAY_LARGE	*	1	X	
6-2	PMO-COVER REAR	*	1	X	
7	PMO-COVER TOP	JC72-00522A	1	O	
8	PMO-COVER SIDE(L)	JC72-00523A	1	O	
9	PMO-COVER SIDE(R)	JC72-00524A	1	O	
10	ELA HOU-COVER FRONT	JC96-01758A	1	O	
11	UNIT-LSU	JC59-00006A	1	O	
12	MEC-PLATE UPPER	JC75-00111A	1	O	
13	IPR-PLATE_CHANNEL	JC70-00058A	1	O	
14	PBA SUB-MOTOR	JC92-01273A	1	O	
15	 ELA HOU-FRAME LOWER	JC96-01756A	1	O	110V
15	ELA HOU-FRAME LOWER	JC96-01757A	1	O	220V
16	ELA UNIT-DEVE SET	*	1	X	
17	CBF HARNESS-MAIN PANEL	JC39-00112A	1	O	
18	CBF HARNESS-THERMISTOR	JC39-00045A	1	O	
19	CBF HARNESS-MAIN_HVPS	JC39-00109A	1	O	
20	CBF HARNESS-LSU	JC39-00043A	1	O	

 Indicate part is for electrical safety components

O: Service available X: Service not available

5-2 Front Exploded View



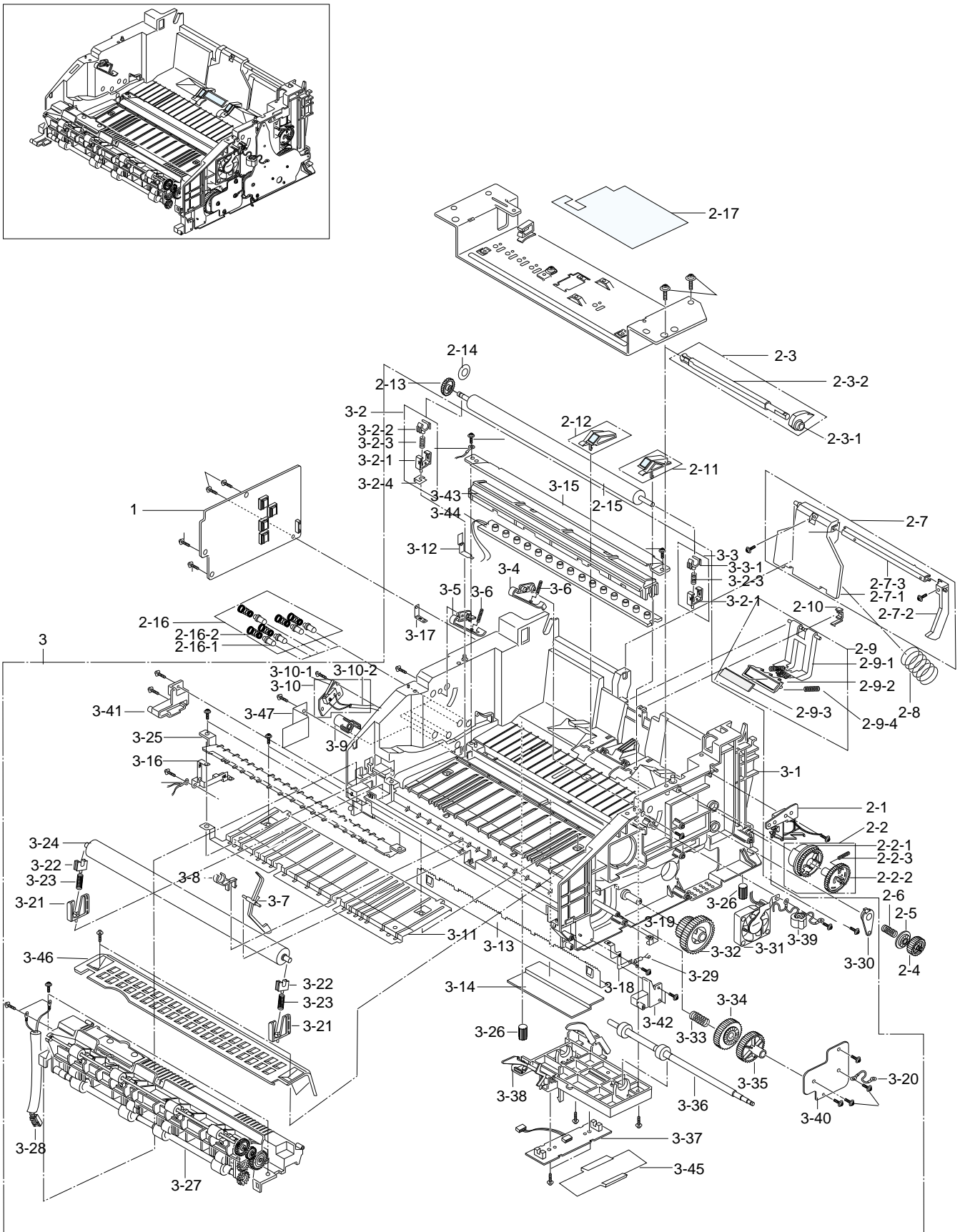
Front Parts Lists

SA. : Service Available

Location No.	Description	SEC. Code	Q'ty	SA	Remark
0	ELA HOU-COVER FRONT	JC96-01758A	1	O	
1	CBF HARNESS-PANEL MAIN	*	1	X	
2	PMO-COVER FRONT	*	1	X	
3	PMO-GUIDE STACKER	*	1	X	
4	PMO-DOOR FACE UP	*	1	X	
5	PPR-SHEET PAPER GUIDE	*	2	X	
6	PMO-KEY A	*	1	X	
7	PMO-KEY B	*	1	X	
8	PMO-LENS SED	*	1	X	
9	PMO-COVER PCB	*	1	X	
10	PMO-STOPPER	*	1	X	
11	PMO-BRKT PUSH DEVE	*	1	X	
12	PBA SUB DISP-PANEL	*	1	X	

O: Service available X: Service not available

5-3 Engine/Frame Lower Exploded View



Engine/Frame Lower Parts Lists


SA. : Service Available

Location No.	Description	SEC. Code	Q'ty	SA	Remark
1	SMPS-HVPS	JC44-00017A	1	O	
2	ELA HOU-ENGINE ASS'Y	*	1	X	
2-1	SOLENOID-(APOLLO)	JC33-00002A	1	O	
2-2	MEC-GEAR PICKUP	JC75-00056A	1	O	
2-2-1	PMO-GEAR_PICKUP,1	*	1	X	
2-2-2	PMO-GEAR_PICKUP,2	*	1	X	
2-2-3	SPRING-PICKUP,GEAR	*	1	X	
2-3	MEC-CAM PICKUP	JC75-00072A	1	O	
2-3-1	PMO-CAM_PICKUP	*	1	X	
2-3-2	PMO-SHAFT_PICKUP	*	1	X	
2-4	PMO-GEAR_FEED	JC72-00115A	1	O	
2-5	PMO-CLUTCH_FEED	JC72-00116A	1	O	
2-6	SPRING-CLUTCH	JC61-00012A	1	O	
2-7	MEC-KNOCKUP ASS'Y	JC75-00053A	1	O	
2-7-1	PMO-PLATE_KNOCKUP	*	1	X	
2-7-2	PMO-CAM-KNOCKUP	*	1	X	
2-7-3	IPR-BAR_KNOCKUP	*	1	X	
S-6	SCREW-TAPTITE	*	2	X	
2-8	SPRING-KNOCK UP	JC61-00023A	1	O	
2-9	MEC-HOLDER PAD	JC75-00093A	1	O	
2-9-1	PMO-HOLDER_PAD	JC72-00535A	1	O	
2-9-2	PMO-HOLDER_PAD	*	1	X	
2-9-3	RPR-PAD FRICTION	*	1	X	
2-9-4	SPRING-PAD	*	2	X	
2-10	PMO-CAP_PAD	JC72-00124A	2	O	
2-11	MEC-SIDE PAD(R)	JC75-00051B	1	O	
2-12	MEC-SIDE PAD(L)	JC75-00050B	1	O	
2-13	PMO-GEAR_TRANSFER	JC72-00179A	1	O	
2-14	PPR-SPACER DR	*	1	X	
2-15	MEC-TRANSFER ROLLER	JC75-00035A	1	O	
2-16	MEC-TERMINAL	JC75-00049A	5	O	
2-16-1	TERMINAL	*	1	X	
2-16-2	SPRING-HV APOLLO	*	1	X	
2-17	PCT-INSULATOR ENG BD	*	1	X	
S-1	SCREW-TAPTITE	*	9	X	

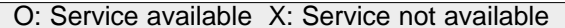
O: Service available X: Service not available

Engine/Frame Lower Parts Lists


SA. : Service Available

Location No.	Description	SEC. Code	Q'ty	SA	Remark
3	 ELA HOU-FRAME LOWER	JC96-01756A	1	O	110V
3	ELA HOU-FRAME LOWER	JC96-01757A	1	O	220V
3-1	PMO-FRAME LOWER	*	1	X	
3-2	MEA ETC-HOLDER TR L	*	1	X	
3-2-1	PMO-HOLDER TR	*	1	X	
3-2-2	PMO-BUSHING_TR(L)	*	1	X	
3-2-3	SPRING-TR	*	1	X	
3-2-4	IPR-PLATE_TR	*	1	X	
3-3	MEA ETC-HOLDER TR R	*	1	X	
3-2-1	PMO-HOLDER TR	*	1	X	
3-3-1	PMO-BUSHING_TR(R)	*	1	X	
3-2-3	SPRING-TR	*	1	X	
3-4	PMO-CAP PLTE GU/DEV R	*	1	X	
3-5	PMO-CAP PLTE GU/DEV L	*	1	X	
3-6	SPRING-GUIDE DEVE	*	2	X	
3-7	PMO-ACTUATOR_EXIT	*	1	X	
3-8	PMO-HOLDER_EXIT	*	1	X	
3-9	PMO-BUSHING_TERMINAL	*	1	X	
3-10	ELA HOU-OPEN SENSOR	*	1	X	
3-10-1	IPR-BRKT_SENSOR	*	1	X	
3-10-2	CBF-HARNESS COVER	*	1	X	
S-10	SCREW-TAPTITE	*	1	X	
3-11	IPR-GUIDE-TR	*	1	X	
3-12	IPR-PLATE-TERMINAL	*	1	X	
3-13	IPR-SAW_PLATE	*	1	X	
3-14	PCT-FILM SAW	*	1	X	
3-15	IPR-EARTH_TRANS	*	1	X	
3-16	IPR-GROUND_GUIDE	*	1	X	
3-17	IPR-GROUND_HVPS	*	1	X	
3-18	IPR-GROUND_FUSER	*	1	X	
3-19	IPR-GROUND_DRIVE	*	1	X	
3-20	CBF HARNESS-OPE GND	*	2	X	
3-21	PMO-HOLDER_PR	*	1	X	
3-22	BEARING-PRESSUE R	*	1	X	
3-23	SPRING-PR	*	1	X	

 Indicate part is for electrical safety components



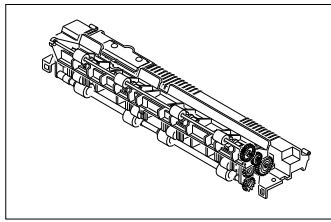
SA. : Service Available

Location No.	Description	SEC. Code	Q'ty	SA	Remark
3-24	MEC-ROLLER_PRESSURE	*	1	X	
3-25	PMO-GUIDE_INPUT	*	1	X	
3-26	RMO-RUBBER_FOOT	*	2	X	
3-27	 ELA HOU-FUSER ASS'Y	JC96-02028B	1	O	110V
3-27	ELA HOU-FUSER ASS'Y	JC96-02028A	1	O	220V
3-28	CBF-HARNESS FUSER	*	1	X	
3-29	ELA HOU-MOTOR GND	*	1	X	
3-30	PMO-BUSHING SHAFT	*	1	X	
3-31	FAN-DC	3103-001085	1	O	
3-32	PMO-GEAR_83/35	*	1	X	
3-33	SPRING-FUSER DR	*	1	X	
3-34	PMO-GEAR_FU_IN 47	*	1	X	
3-35	PMO-GEAR_FU_OUT 47	*	1	X	
3-36	MEC-ROLLER FEED	*	1	X	
3-37	PBA MAIN-SENSOR	*	1	X	
3-38	EMC-HOLDER FEED	*	1	X	
3-39	CBF HARNESS-MOTOR GND	*	1	X	
3-40	IRP-BRKT FUSER DRV	*	1	X	
3-41	PMO-HINGE FRONT(L)	*	1	X	
3-42	PMO-HINGE FRONT(R)	*	1	X	
3-43	PMO-COVER PTL	*	1	X	
3-44	ELA HOU-PTL	*	1	X	
3-45	PCT-INSULATOR SENSOR BD	*	1	X	
3-46	PMO-FRONT FUSER	*	1	X	
3-47	PCT-COVER SHEET LAMP	*	1	X	
S-1	SCREW-TAPTITE	*	10	X	
S-2	SCREW-TAPTITE	*	2	X	

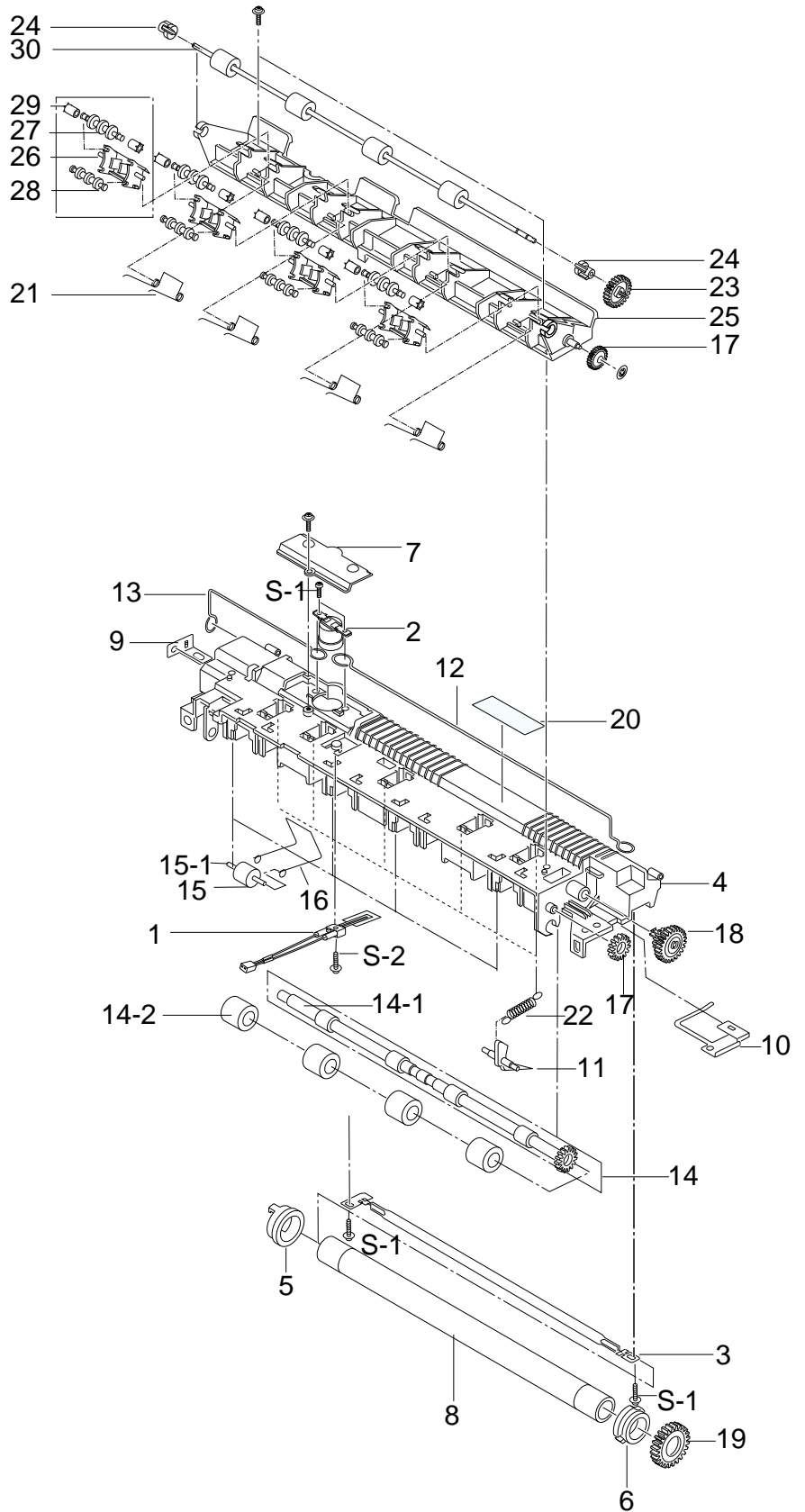
 Indicate part is for electrical safety components

O: Service available X: Service not available

5-4 Fuser Exploded View



0



Fuser Parts Lists

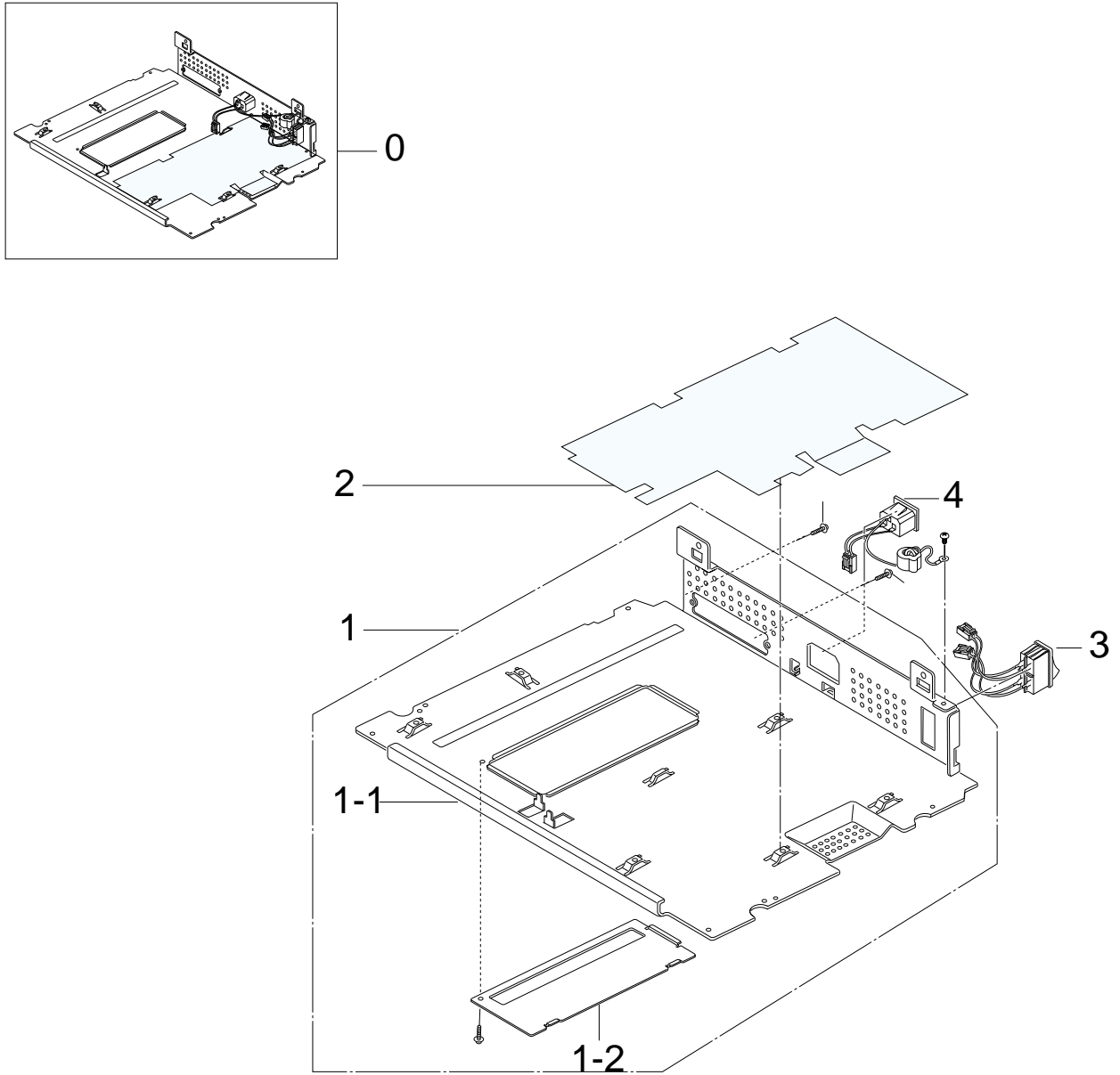
SA. : Service Available

Location No.	Description	SEC. Code	Q'ty	SA	Remark
0	 ELA HOU-FUSER ASS'Y	JC96-02028B	1	O	110V
0	 ELA HOU-FUSER ASS'Y	JC96-02028A	1	O	220V
1	THERMISTOR-NTC	1404-001188	1	O	
2	THERMOSTAT-150C	4712-000001	1	O	
3	 LAMP-HALOGEN	4713-001120	1	O	110V
3	 LAMP-HALOGEN	4713-001121	1	O	220V
4	PMO-COVER FUSER	*	1	X	
5	PMO-BUSHING H/R, L	*	1	X	
6	PMO-BUSHING H/R, R	*	1	X	
7	PMO-COVER_THERMOSTAT	*	1	X	
8	NPR-ROLLER HEAT	JC71-00012A	1	O	
9	IPR-ELECTRODE_PLATE	*	1	X	
10	IPR-GROUND_FU	*	1	X	
11	PMO-GUIDE CLAW	*	5	X	
12	ELECTRODE-WIRE,1	*	1	X	
13	ELECTRODE-WIRE,S	*	1	X	
14	MEA ETC-SHAFT EXIT	*	1	X	
14-1	PMO-SHAFT_EXIT(Z15)	*	1	X	
14-2	RMO-RUBBER_EXIT	*	4	X	
15	PMO-ROLLER_IDLE EXIT	*	4	O	
15-1	IPR-PIN ROLLER EXIT	*	4	X	
16	SPRING-EXIT	*	4	X	
17	PMO-GEAR_EXIT_DRV16	*	1	X	
18	PMO-GEAR_EXIT_IDLE	*	1	X	
19	PMO-GEAR_FUSER	*	1	X	
20	LABEL (R)-CAU_HOT_FU	*	1	X	
21	SPRING-EXIT DOWN	*	4	X	
22	SPRING-ES, GUIDE CLAW	*	4	X	
23	GEAR-EXIT F/DOWN	*	5	X	
24	BEARING-EXIT FU L	*	2	X	
25	PMO-COVER FUSER F/DOWN	*	1	X	
26	PMO-HOLDER_EXIT_DOWN	*	4	X	
27	PMO-EXIT_DOWN_L	*	4	X	
28	PMO-EXIT_DOWN_S	*	4	X	
29	RMO-RUBBER-KICKER	*	8	X	
30	MEC-UNIT_EXIT, F_DOWN	*	1	X	
S-1	SCREW TAPTITE	*	5	X	
S-2	SCREW TAPTITE	*	1	X	

 Indicate part is for electrical safety components

O: Service available X: Service not available

5-5 Shield Engine Unit Exploded View



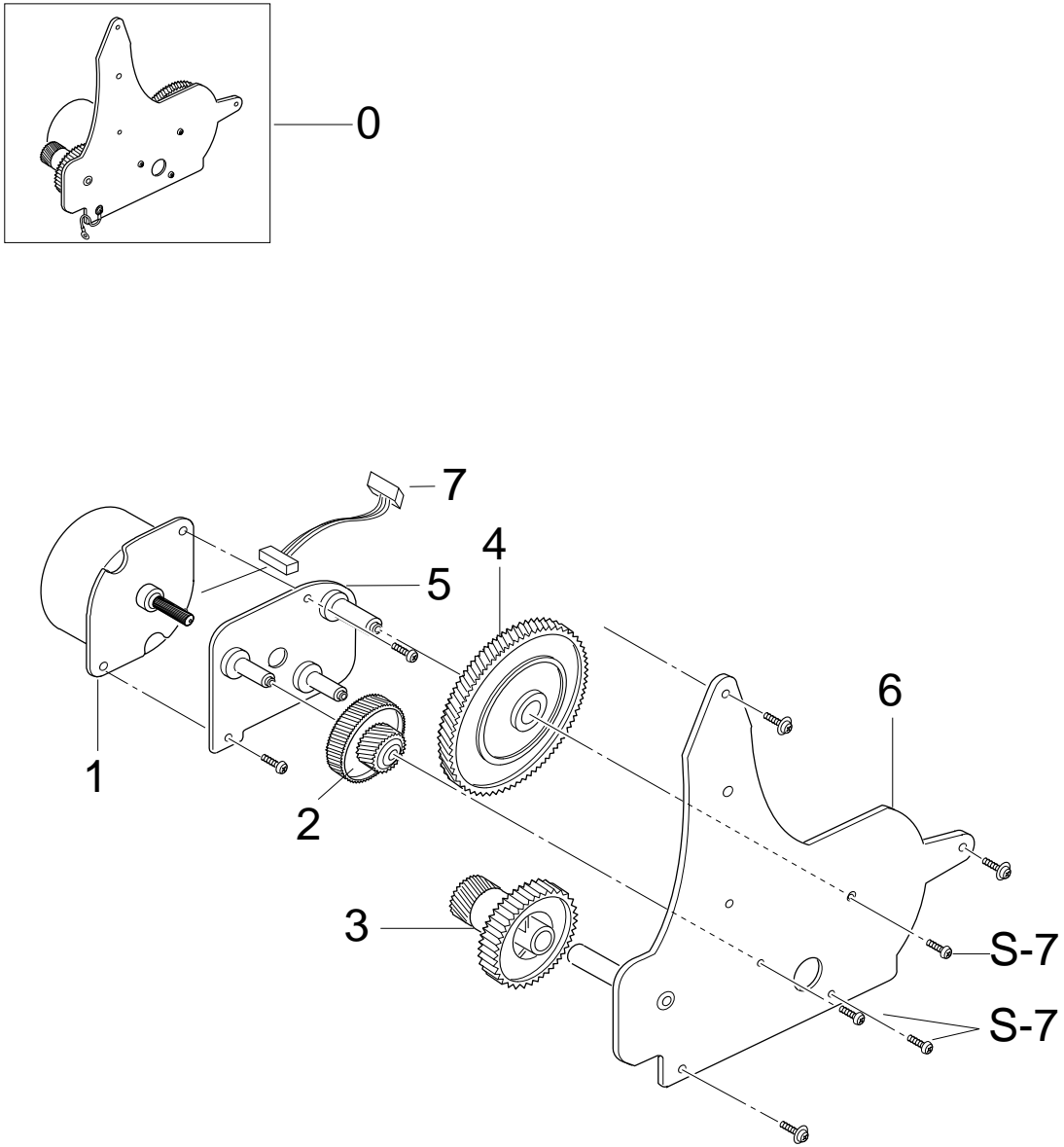
Shield Engine Unit Parts Lists

SA. : Service Available

Location No.	Description	SEC. Code	Q'ty	SA	Remark
0	ELA HOU-SHIELD ENGINE	*	1	X	
1	MEC-SHIELD BRKT CONTROLLER	*	1	X	
1-1	IPR-SHIELD ENGINE	*	1	X	
1-2	IPR-BRKT CONTROLLER	JC70-00131A	1	O	
2	PCT-INSULATOR SMPS	JC72-00555A	1	O	
3	CBF HARNESS-SWITCH ASS'Y	JC39-00117A	1	O	
4	CBF HARNESS-INLET ASS'Y	JC39-00116A	1	O	
S-1	SCREW-MACHINE	*		X	
S-2	SCREW-TAPTITE	*		X	
S-3	SCREW-TAPTITE	*		X	

O: Service available X: Service not available

5-6 RX Drive Exploded View



RX Drive Parts ListsSA. : *Service Available*

Location No.	Description	SEC. Code	Q'ty	SA	Remark
0	ELA HOU-RX DRIVE	JC96-01755A	1	O	
1	MOTOR-STEP	JC31-00005A	1	O	
2	PMO-GEAR_71/28	*	1	X	
-3	PMO-GEAR_73/22	*	1	X	
4	PMO-GEAR_132/19	*	1	X	
5	IPR-BRKT_MOTOR	*	1	X	
6	IPR-BRKT_GEAR	*	1	X	
7	CBF-HARNESS_MOTOR	*	1	X	
S-7	SCREW-MACHINE	*	5	X	

O: Service available X: Service not available

5-7 Plate-Upper Unit Exploded View

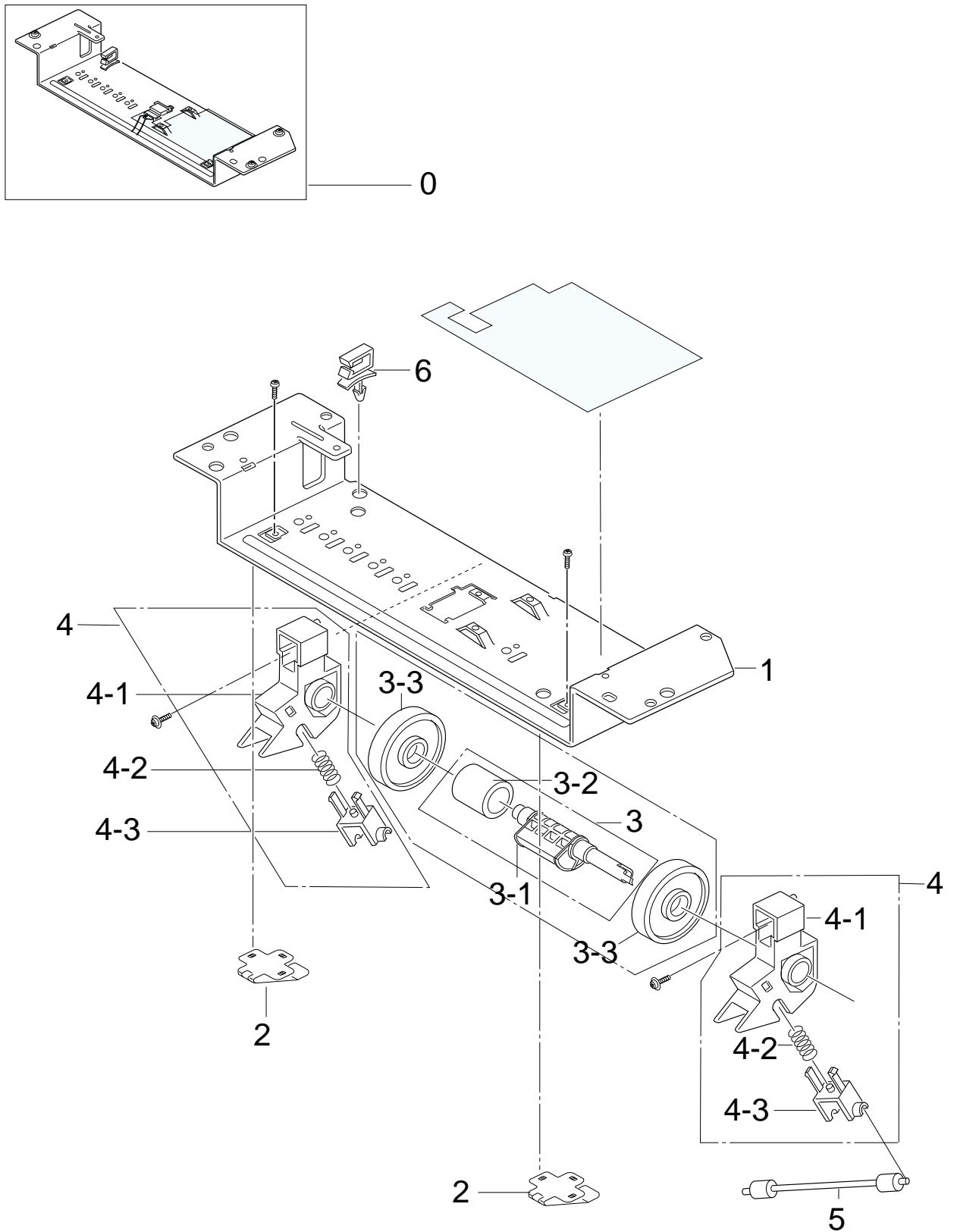


Plate-Upper Unit Parts Lists

SA. : Service Available

Location No.	Description	SEC. Code	Q'ty	SA	Remark
0	MEC-PLATE UPPER	JC75-00098A	1	O	
1	IPR-UPPER-PLATE	*	1	X	
2	IPR-PLATE SPRING DEV	*	2	X	
3	MEA ETC-ROLLER PICKUP	*	1	X	
3-1	PMO-HOUSING_PICKUP	*	1	X	
3-2	RMO-ROLLER_PICKUP	*	1	X	
3-3	PMO-IDLE_PICKUP	*	2	X	
4	MEA ETC-IDLE FEED	*	2	X	
4-1	PMO-HOLDER_PICKUP	*	1	X	
4-2	SPRING-FEED	*	1	X	
4-3	PMO-HOLDER_IDLE,FEED	*	1	X	
5	ICT-ROLLER_IDLE,FEED	*	1	X	
6	CABLE CLAMP	*	1	X	
S-1	SCREW TAPTITE	*	3	X	
S-9	SCREW TAPTITE	*	2	X	

O: Service available X: Service not available

Memo