

# 5. Exploded Views and Parts List

## Contents

5.1 Main Assembly . . . . .	5-2	5.7 Deve Motor Assembly . . . . .	5-19
5.2 Cover Assembly . . . . .	5-5	5.8 Exit Sorenoind Assembly . . . . .	5-21
5.3 Frame Assembly . . . . .	5-7	5.9 Cassette Assembly . . . . .	5-23
5.4 Fuser Unit . . . . .	5-13	5.10 Duplex Unit . . . . .	5-25
5.5 REGI Assembly . . . . .	5-15	5.11 SCF Unit . . . . .	5-27
5.6 Main Motor Assembly . . . . .	5-17		

### DIGITAL LASER MFP

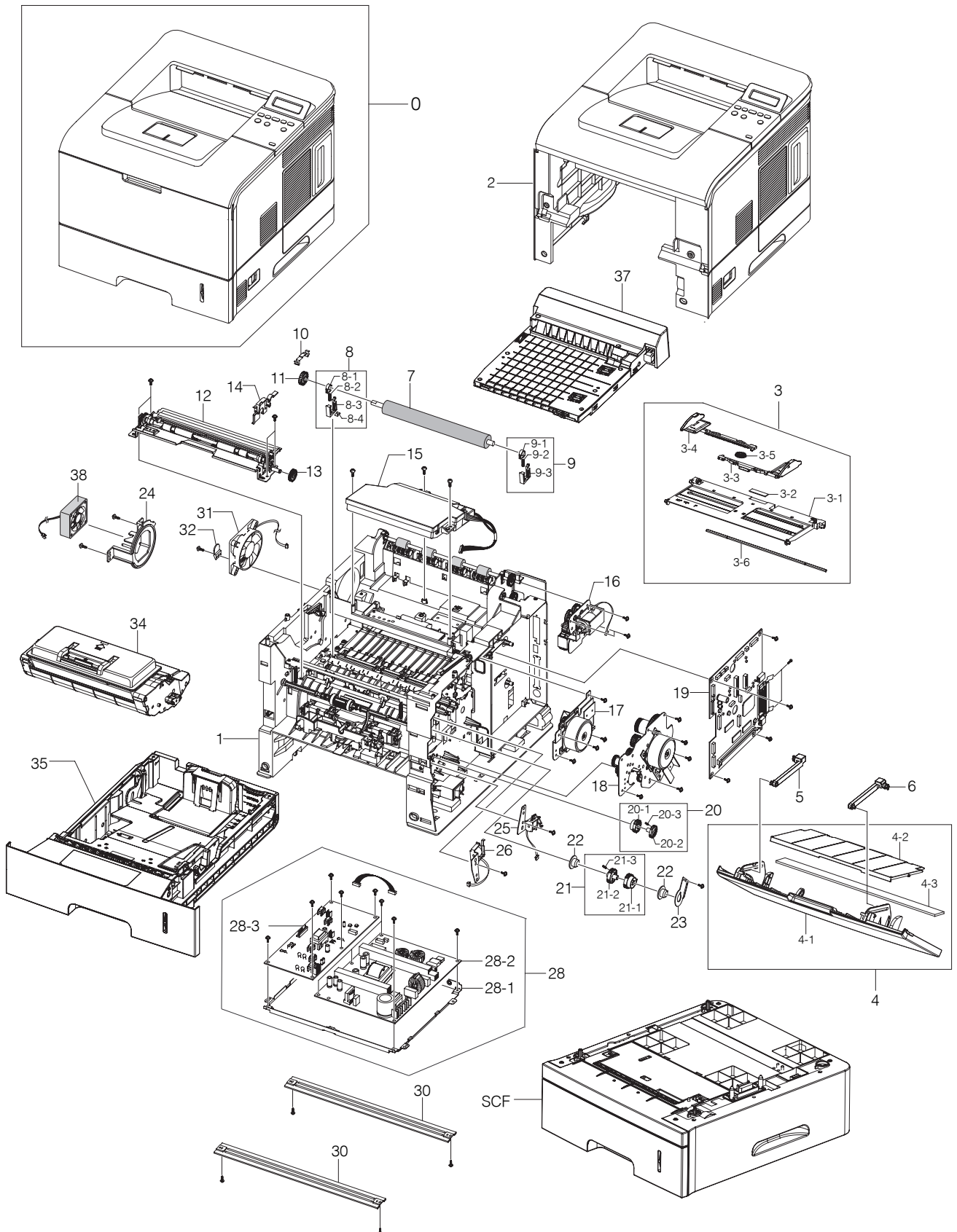


### The keynote of Product

#### Upgrade to Speed\_up model(ML-4050N)

- Printing speed :
  - 38 ppm in A4 (40 ppm in Letter)
  - Duplex: 26 ipm (A4); 27 ipm (Letter)
- Resolution : Up to 1200 x 1200 dp
- CPU : 400MHz
- Memory : 64 MB (Max. 512 MB)
- Interface : USB 2.0 & IEEE1284
  - Ethernet 10/100 Base TX
- Toner cartridge :
  - initial(10K) / sales(20K)
- Option :
  - 802.11 b/g Wireless LAN
  - Optional Duplex
  - Optional 500 sheet SCF
  - Optional Hard Disk

# 5.1 Main Assembly



## Main Assembly Parts List

SA : SERVICE AVAILABLE, SNA : SERVICE not AVAILABLE

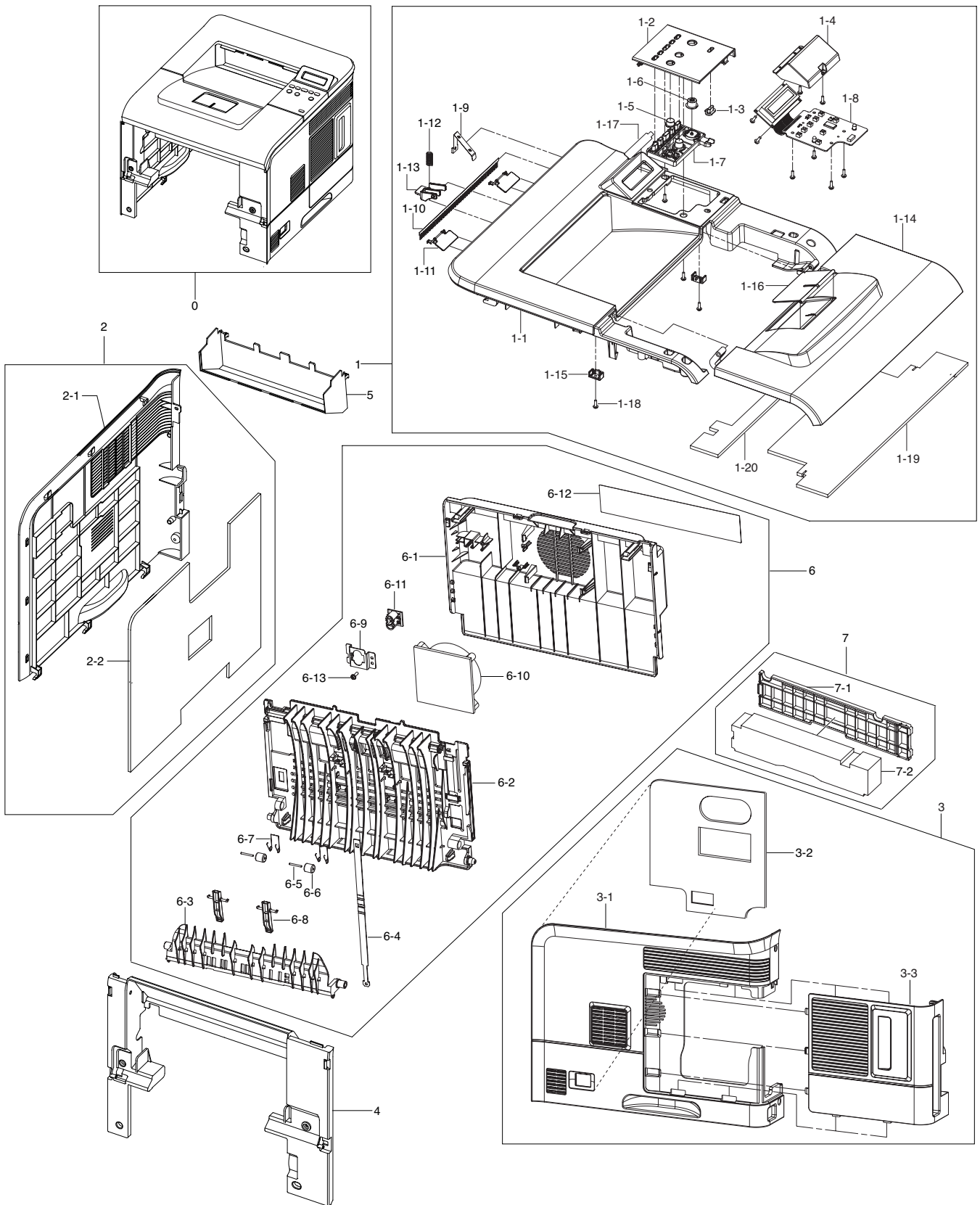
Drawer#	SEC_CODE	DESCRIPTION	Service	Remark
5.1-0		ML-4050N SET		
5.1-1	JC96-04400B	ELA UNIT-FRAME_BASE	SNA	Export 220V
5.1-1	JC96-04400A	ELA UNIT-FRAME_BASE	SNA	Export 110V
5.1-1	JC96-04400J	ELA UNIT-FRAME_BASE	SNA	Domestic
5.1-2	JC96-04064C	ELA HOU BASE-HOUSING	SNA	Export
5.1-2	JC96-04064F	ELA HOU BASE-HOUSING	SNA	Domestic
5.1-3	JC97-02230C	MEA UNIT-KNOCK_UP MP	SA	
5.1-3-1	JC61-01251C	PLATE-M_KNOCKUP MP	SA	
5.1-3-2	JC74-00011A	MPR-PAD KNOCK UP MP	SNA	
5.1-3-3	JC72-01006B	PMO-SIDE GUIDE MP(R)	SA	
5.1-3-4	JC72-01005B	PMO-SIDE GUIDE MP(L)	SA	
5.1-3-5	JG66-40003A	GEAR-PINION	SNA	
5.1-3-6	JC66-00895A	SHAFT-REINFORCEMENT	SNA	
5.1-4	JC97-02231D	MEA UNIT-COVER MP	SA	
5.1-4-1	JC63-00695D	COVER-M_MP	SA	
5.1-4-2	JC63-00691C	TRAY-M_EXTEND_MP	SA	
5.1-5	JC63-00694C	TRAY-M_LINK MP(L)	SA	
5.1-6	JC63-00689C	TRAY-M_LINK MP(R)	SA	
5.1-7	JC66-00540B	ROLLER-TRANSFER	SA	
5.1-8	JC96-01729A	ELA UNIT-HOLDER TR R	SA	
5.1-8-1	JC72-41142A	PMO-BUSHING TR	SNA	
5.1-8-2	JC61-00046A	SPRING ETC-TR R HAWK	SNA	
5.1-8-3	JC72-41145C	PMO-TRANSFER HOLDER R	SNA	
5.1-8-4	JC70-11053A	IPR-PLATE TR	SNA	
5.1-10	JC72-41292B	PMO-CAP TR	SA	
5.1-12	JC96-03959A	ELA UNIT-REGI	SA	
5.1-13	JC66-00420A	GEAR-REGI Z25	SA	
5.1-14	JC67-00039A	CAP-M-GEAR	SA	
5.1-15	JC96-04066A	ELA UNIT-LSU	SA	
5.1-16	JC96-03426A	ELA UNIT-EXIT SOL	SA	
5.1-17	JC96-03408A	ELA UNIT-DEVE MOTOR	SA	
5.1-18	JC96-04063A	DRIVE	SA	
5.1-19	JC96-04467A	ELA HOU-MAIN	SNA	
5.1-19	JC96-04467D	ELA HOU-MAIN	SNA	SKL
5.1-19	JC96-04467E	ELA HOU-MAIN	SNA	XEV
5.1-19	JC96-04467J	ELA HOU-MAIN	SNA	TMX
5.1-19-1	JC92-01873A	PBA-MAIN	SA	
5.1-19-1	JC92-01873E	PBA-MAIN	SA	XEV
5.1-19-1	JC92-01873H	PBA-MAIN	SA	DMV
5.1-19-1	JC92-01873J	PBA-MAIN	SA	ETS
5.1-19-2	JC92-01542A	PBA SUB-DIMM MODULE	SA	

## Main Assembly Parts List

SA : SERVICE AVAILABLE, SNA : SERVICE not AVAILABLE

Drawer#	SEC_CODE	DESCRIPTION	Service	Remark
5.1-20	JC97-02226A	MEA UNIT-GEAR PICK UP	SA	
5.1-20-1	JC66-00870A	GEAR-M-PICK UP CAM	SNA	
5.1-20-2	JC66-00876A	GEAR-M-PICK UP	SNA	
5.1-20-3	JC61-00003A	SPRING ETC	SA	
5.1-21	JC97-01738A	MEA UNIT-GEAR P/UP MP CARDINA	SA	
5.1-21-1	JC66-00424A	GEAR-MP HOLDER_CAM	SA	
5.1-21-2	JC66-00423A	GEAR-MP PICK_UP	SA	
5.1-21-3	JC61-00003A	SPRING ETC	SA	
5.1-22	JC66-10202A	BEARING-PICK UP	SA	
5.1-23	JC61-00755A	BRACKET-P-SHAFT MP	SA	
5.1-24	JC61-01735A	HOLDER-FAN	SA	
5.1-25	JC33-00012A	SOLENOID-MAIN	SA	
5.1-26	JC33-00016A	SOLENOID-MP	SA	
5.1-27	JC96-03931A	ELA UNIT-DEVE KIT	SNA	
5.1-28	JC96-04003B	ELA HOU-SMPS_HVPS_V2	SA	220V
5.1-28	JC96-04003A	ELA HOU-SMPS_HVPS_V1	SA	110V
5.1-28-1	JC63-01133A	SHIELD-SMPS	SNA	
5.1-28-2	JC44-00124A	SMPS-V2C	SA	220V
5.1-28-2	JC44-00123A	SMPS-V1	SA	110V
5.1-28-3	JC44-00112A	HVPS	SA	
5.1-30	JC71-00042A	BAR-P_CROSS BOTTOM	SA	
5.1-31	JC31-00070A	FAN	SA	
5.1-32	JC61-00667A	STOPPER-M-FAN80	SA	
5.1-33	JC61-01196A	HOLDER-DEV	SNA	
5.1-34	JC96-03963A	ELA UNIT-DEVE	SNA	
5.1-35	JC96-04015B	ELA UNIT-CASSETTE	SA	
5.1-37	ML-U4050A	Duplex Unit	SNA	Option
5.1-38	JC31-00050A	FAN	SA	
5.1-40	ML-3560MN	40GB HDD	SNA	Option

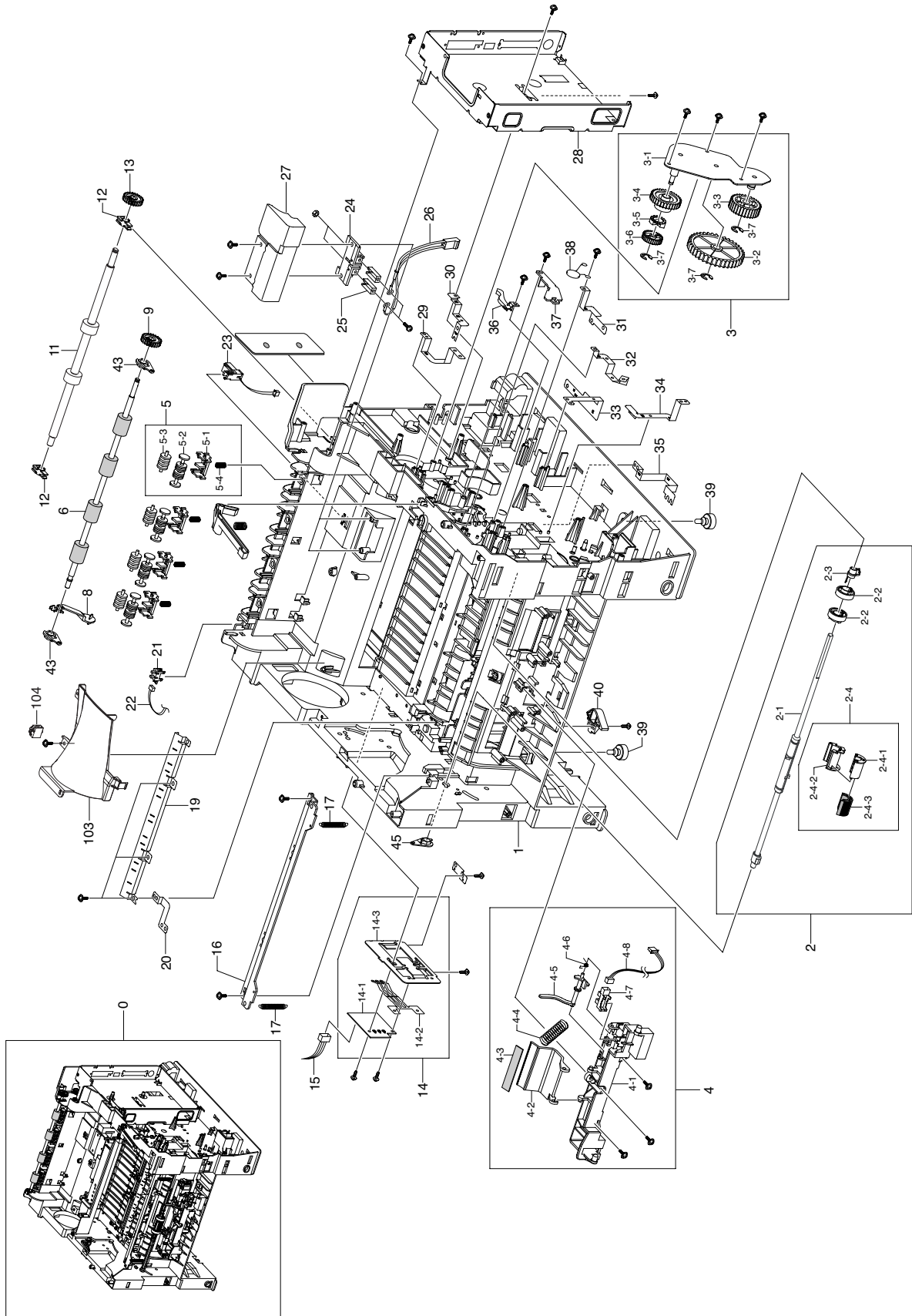
## 5.2 Cover Assembly



## Cover Assembly Parts List

Drawer#	SEC_CODE	DESCRIPTION	Service	Remark
5.2-0	JC96-04064C	ELA HOU BASE-HOUSING	SNA	
5.2-1	JC96-04395A	ELA UNIT-COVER TOP	SA	
5.2-1	JC96-04395B	ELA UNIT-COVER TOP	SA	Domestic
5.2-1	JC96-04395C	ELA UNIT-COVER TOP	SA	XIL
5.2-1	JC96-04395D	ELA UNIT-COVER TOP	SA	XEV
5.2-1	JC96-04395E	ELA UNIT-COVER TOP	SA	TED
5.2-1-1	JC63-00699C	COVER-TOP	SNA	
5.2-1-2	JC63-01100P	COVER-OP PANEL	SA	
5.2-1-2	JC63-01100Q	COVER-OP PANEL	SA	Domestic
5.2-1-2	JC63-01100R	COVER-OP PANEL	SA	XIL
5.2-1-2	JC63-01100S	COVER-OP PANEL	SA	XEV
5.2-1-2	JC63-01100T	COVER-OP PANEL	SA	TED
5.2-1-3	JC67-00147A	LENS LED-M_STATUS	SNA	
5.2-1-4	JC64-00194A	WINDOW-M-LCD	SA	
5.2-1-5	JC64-00047A	KEY-M-SAVE MODE	SA	
5.2-1-6	JC64-00236A	KEY-M_STOP	SNA	
5.2-1-7	JC64-00265B	KEY-M_BUTTON	SA	
5.2-1-8	JC92-01825A	PBA SUB-PANEL	SA	Domestic
5.2-1-8	JC92-01825B	PBA SUB-PANEL	SA	Export
5.2-1-9	JC63-00836A	GROUND-P-TOP_COVER	SA	
5.2-1-10	JC75-00095A	MEC-BRUSH ANTISTATIC	SNA	
5.2-1-11	JC66-00902C	LEVER-STACKING	SA	
5.2-1-12	JC61-00391A	SPRING ETC-DUPLEX COVER	SA	
5.2-1-13	JC72-00995A	PMO-STACKER LOCKER	SA	
5.2-1-14	JC63-01101B	COVER-M_OPEN	SA	
5.2-1-15	JC61-00656A	STOPPER-M-HINGE OPEN	SA	
5.2-1-16	JC72-01367C	PMO-STACKER_RX	SC	
5.2-1-17	JC63-00076A	COVER-WINDOW_SF-530	SNA	
5.2-1-18	6003-000196	SCREW-TAPTITE	SNA	
5.2-2	JC63-00684C	COVER-M_LEFT	SA	
5.2-3	JC97-02388C	MEA UNIT-COVER RIGHT	SA	
5.2-3-1	JC63-00701C	COVER-M_RIGHT	SA	
5.2-3-2	JC72-01373A	SPONGE-COVER_R	SNA	
5.2-3-3	JC63-00702C	COVER-M_CONTROL BOX	SC	
5.2-4	JC63-00685C	COVER-M_FRONT INNER	SA	
5.2-5	JC63-00696C	COVER-M_FRAME EXIT	SC	
5.2-6	JC95-01016A	COVER-REAR ASSY	SA	
5.2-6-1	JC63-01912B	COVER-REAR	SA	
5.2-6-2	JC61-02633B	STACKER REAR	SA	
5.2-6-3	JC61-01217B	GUIDE-M_EXIT	SNA	
5.2-6-4	JC72-01359A	PMO-STRIPE	SA	
5.2-6-5	JC70-20901A	IEX-SHAFT IDLE,F/UP	SA	
5.2-6-6	JC72-20902A	PEX-ROLLER F/UP(2)	SA	
5.2-6-7	6107-001160	SPRING-TS	SA	
5.2-6-8	JC61-00658A	GUIDE-M-DUPLEX	SA	
5.2-6-9	JC61-02622A	BRACKET-FEMALE	SNA	
5.2-6-10	JC31-00070A	FAN	SA	
-	JC39-00966A	HARNES-REAR_JOINT2	SNA	
5.2-6-12	JC68-01526A	LABEL(P)-JAM REMOVAL	SNA	
5.2-6-13	6003-000196	SCREW-TAPTITE	SA	
5.2-7	JC97-02389C	MEA UNIT-COVER DUMMY	SA	
5.2-7-1	JC63-00697C	COVER-M_DUMMY DUP	SA	
5.2-7-2	JC72-01374A	SPONGE-COVER DUMMY	SNA	

### 5.3 Frame Assembly(1/2)







## Frame Assembly Parts List

SA : SERVICE AVAILABLE, SNA : SERVICE not AVAILABLE

Drawer#	SEC_CODE	DESCRIPTION	Service	Remark
5.3-0	JC96-04400B	ELA UNIT-FRAME_BASE	SNA	Export 220V
5.3-0	JC96-04400A	ELA UNIT-FRAME_BASE	SNA	Export 110V
5.3-0	JC96-04400J	ELA UNIT-FRAME_BASE	SNA	Domestic
5.3-1	JC61-01206A	FRAME-M_BASE	SNA	
5.3-2	JC97-02649A	MEA UNIT-PICK UP MP	SA	Export
5.3-2-1	JC66-01265A	SHAFT-PICK UP MP	SA	Domestic
5.3-2-2	JC72-01003A	PMO-IDLE PICK UP MP	SA	
5.3-2-3	JC66-00893A	CAM-M-SHAFT	SA	
5.3-2-4	JC96-02686B	ELA UNIT-ROLLER P/UP MP	SA	
5.3-2-4-1	JC61-00705A	HOLDER-M-PICKUP MP	SA	
5.3-2-4-2	JC61-00685A	HOUSING-M-PICK UP MP	SA	
5.3-2-4-3	JC73-00224A	RUBBER-PICK UP MP	SA	
5.3-3	JC97-02238A	MEA UNIT-GEAR IDLE	SA	
5.3-3-1	JC61-01200A	BRACKET-P-GEAR IDLE	SNA	
5.3-3-2	JC66-00872A	GEAR-FUSER IDLE 3	SNA	
5.3-3-3	JC66-00859A	GEAR-M-FUSER IDLE 2	SNA	
5.3-3-4	JC66-00858A	GEAR-M-FUSER DRV IN	SNA	
5.3-3-5	JC66-00868A	CLUTCH-M-HUB	SA	
5.3-3-6	JC66-01155A	GEAR-FUSER RDCN OUT V	SA	
5.3-3-7	6044-000125	RING-E	SNA	
5.3-4	JC96-03403A	ELA HOU BASE-HOLDER	SA	
5.3-4-1	JC61-01248A	FRAME-M-HOLDER PAD	SNA	
5.3-4-2	JC61-00684A	HOLDER-M-PAD	SA	
5.3-4-3	JC73-00132A	RPR-FRICTION PAD MP	SA	
5.3-4-4	JC61-00387A	SPRING ETC-PAD	SNA	
5.3-4-5	JC72-01365A	PMO-ACTUATOR EMPTY MP	SA	
5.3-4-6	JC61-70965A	SPRING ETC-EMPTY	SA	
5.3-4-7	0604-001095	PHOTO-INTERRUPTER	SNA	
5.3-4-8	JC39-00451A	CBF HARNESS-MP_EMPTY	SC	
5.3-5	JC97-01034A	MEA RACK-EXIT ROLLER	SA	
5.3-5-1	JC72-41006A	PMO-HOLDER EXIT ROLL	SA	
5.3-5-2	JC72-41007A	PMO-ROLLER FD F	SA	
5.3-5-3	JC72-41008A	PMO-ROLLER FD R	SA	
5.3-5-4	JC61-70911A	SPRING ETC-EXIT ROLL FD	SNA	SKL
5.3-6	JC66-00883B	ROLLER-EXIT_F/DOWN	SA	XEV
5.3-8	JC72-01310A	PMO-ACTUATOR OUTFULL	SA	TMX
5.3-9	JC66-00674A	GEAR-M-EXIT Z17	SA	
5.3-12	JC61-01262A	BUSH-M_EXIT D7	SA	XEV
5.3-13	JC66-00854A	GEAR-M-EXIT DUP Z21	SA	DMV
5.3-14	JC96-02127A	ELA HOU-CST SENSOR HAWK16	SA	ETS
5.3-14-1	JC92-01336A	PBA SUB-CASSETTE	SA	
5.3-14-2	JC70-00192A	IPR-PLATE SENSOR	SA	
5.3-14-3	JC70-00195A	IPR-BRACKET SENSOR	SNA	

## Frame Assembly Parts List

SA : SERVICE AVAILABLE, SNA : SERVICE not AVAILABLE

Drawer#	SEC_CODE	DESCRIPTION	Service	Remark
5.3-15	JC39-00261A	CBF HARNESS-SENSOR	SNA	
5.3-16	JC61-00675A	GUIDE-P_REGI UPPER	SA	Export 220V
5.3-17	JC61-70918A	SPRING ETC-LEVER	SA	Export 110V
5.3-19	JC61-00691A	GUIDE-PLATE PAPER	SA	Domestic
5.3-20	JC70-00339A	IPR-P_GROUND PLATE PAPER	SA	Export
5.3-21	0604-001095	PHOTO-INTERRUPTER	SNA	Domestic
5.3-23	JC39-00458A	CBF HARNESS-THERM	SA	
5.3-24	JC61-01581A	HOUSING-M_TERMINAL	SNA	
5.3-25	JC65-00013A	TERMINAL-P-FUSER	SA	
5.3-26	JC39-00456A	CBF HARNESS-FUSER	SA	
5.3-27	JC67-00099A	CAP-M-HOUS_TERM	SNA	
5.3-28	JC63-01260A	SHIELD-CTRL	SA	
5.3-29	JC63-00677A	GROUND-P-MOTOR_DEVE	SNA	
5.3-30	JC63-00669A	GROUND-P_GUIDE TR	SNA	
5.3-31	JC63-00672A	GROUND-P-REGI_ROLLER	SNA	
5.3-32	JC63-00678A	GROUND-P-PICK_UP_MP	SNA	
5.3-33	JC63-00673A	GROUND-P-SCF_MAIN	SNA	
5.3-34	JC63-00671A	GROUND-P-MOTOR_MAIN	SNA	
5.3-35	JC63-00680A	GROUND-P-GUIDE_DUP	SNA	
5.3-36	JC67-00093A	CAP-M-GUIDE_HARNESS	SNA	
5.3-37	JC72-01356A	PMO-DUMMY_DEVE	SNA	
5.3-38	JC96-01772A	ELA HOU-VARISTOR	SA	
5.3-39	JC61-40001A	FOOT-ML80	SA	
5.3-40	JC72-01355A	PMO-REMOVE_LOCK_CST	SA	
5.3-43	JC72-41191B	PMO-BEARING SHAFT	SA	
5.3-47	JC96-03960B	ELA HOU-FRAME_LSU_LO	SA	
5.3-47-1	6003-000196	SCREW-TAPTITE	SA	
5.3-47-2	JC61-01732A	FRAME-PART_UPPER	SNA	
5.3-47-3	JC65-00004A	TERMINAL-P_DEVE	SA	
5.3-47-4	JC92-01807C	PBA-TONER_CONNECTOR	SA	
5.3-47-5	JC67-00095A	CAP-M_COVER_OPEN	SNA	
5.3-47-6	JC92-01730A	PBA SUB-COVER OEPN	SA	
5.3-48	JC96-03425A	ELA UNIT-FEED3X5	SA	
5.3-48-1	JC61-01240A	HOLDER-M-SAW	SNA	SKL
5.3-48-2	JC61-01235A	GUIDE-P-TRANSFER_FRONT	SNA	XEV
5.3-48-3	JC61-01236A	PLATE-P-SAW	SNA	TMX
5.3-48-4	JC66-00889A	SHAFT-M ROLLER_BELT	SNA	
5.3-48-5	JC66-00887A	ROLLER-M IDLE_BELT	SNA	XEV
5.3-48-6	JC70-20901A	IEX-SHAFT IDLE,F/UP	SNA	DMV
5.3-48-7	JC73-00206A	RUBBER-BELT_FEED	SA	ETS
5.3-48-8	JC61-01239A	GUIDE-M SHAFT_BELT	SNA	
5.3-49	JC96-04016A	ELA UNIT-ROLLER_IDLE	SA	
5.3-49-2	JC61-00635A	HOUSING-M-RETARD	SA	
5.3-49-3	JC73-00207A	RUBBER-RETARD	SA	

## Frame Assembly Parts List

SA : SERVICE AVAILABLE, SNA : SERVICE not AVAILABLE

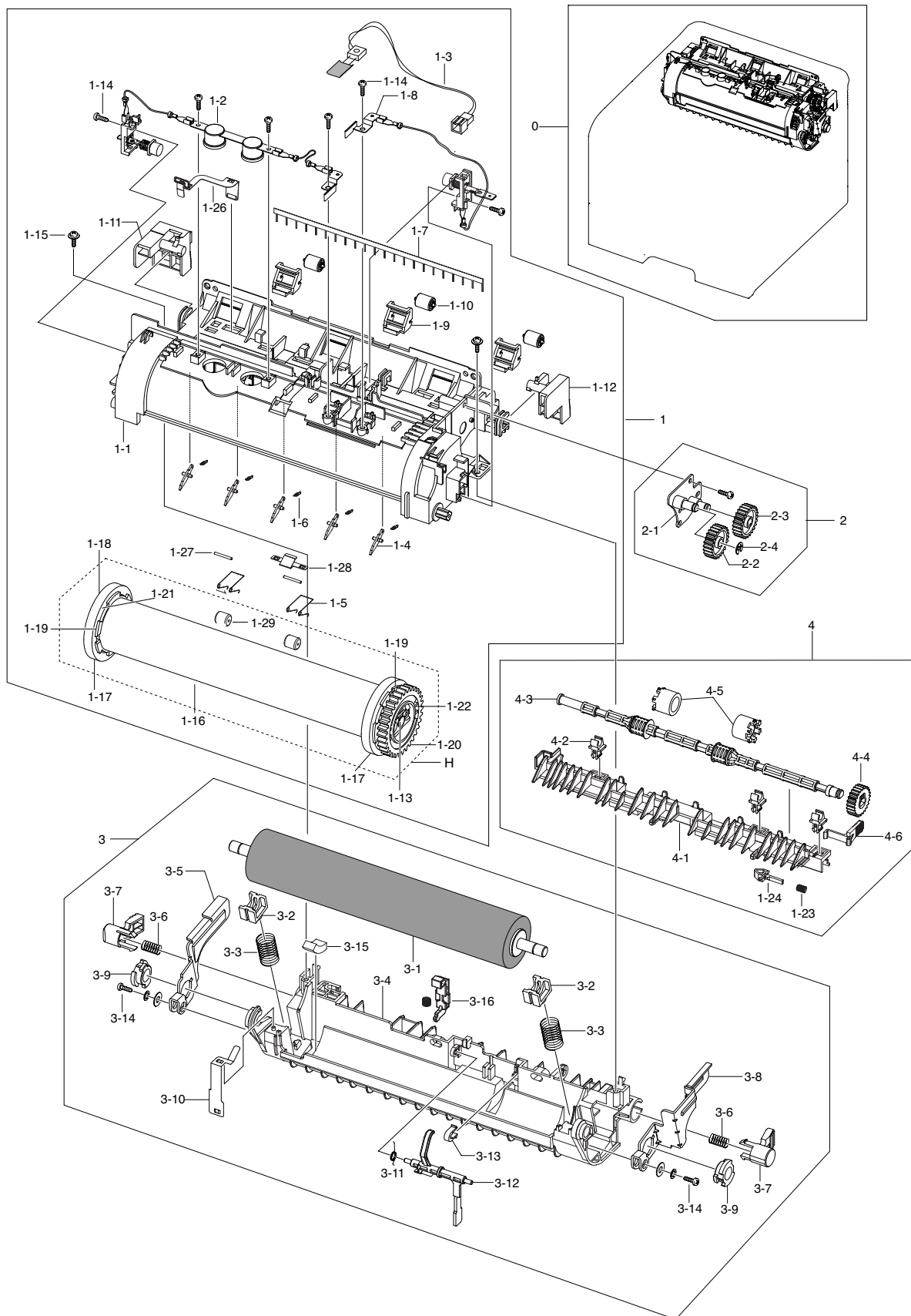
Drawer#	SEC_CODE	DESCRIPTION	Service	Remark
5.3-49-4	JC72-00993A	PMO-HUB OUT RETARD	SNA	
5.3-49-5	JC66-01273A	SHAFT-IDLE_FEED	SA	Export 220V
5.3-49-6	JC64-00271A	SHUTTER-PATH_FEED	SA	Export 110V
5.3-49-7	JC61-01550A	STOPPER-SPACER	SNA	Domestic
5.3-49-8	JC64-00272A	SHUTTER-CLAW	SNA	Export
5.3-49-9	JC61-01741A	HOLDER-IDLE_FRONT	SA	Domestic
5.3-49-10	JC61-00652A	BUSH-M-RETARD	SNA	
5.3-49-11	JC61-00387A	SPRING ETC-PAD	SNA	
5.3-49-12	JC61-01739A	HOLDER-IDLE_REAR	SA	
5.3-49-14	JC64-00270A	SHUTTER-TENSION	SA	
5.3-50	JC96-03421A	ELA UNIT-FEED2 IDLE	SA	
5.3-50-1	JC61-01242A	HOLDER-IDLE_FEED2	SNA	
5.3-50-2	JC67-00105A	CAP-M IDLE_FEED2	SNA	
5.3-50-3	JC61-00387A	SPRING ETC-PAD	SNA	
5.3-50-4	JC61-00652A	BUSH-M-RETARD	SNA	
5.3-50-5	JC66-00912A	SHAFT-IDLE_FEED2	SNA	
5.3-50-6	6044-000125	RING-E	SNA	
5.3-50-7	JC66-00892A	ROLLER-M IDLE_FEED2	SNA	
5.3-51	JC61-01250A	STOPPER-M-KNOCK UP MP_L	SA	
5.3-52	JC61-01249A	STOPPER-M-KNOCK UP MP_R	SA	
5.3-53	JC61-01252A	RAIL-M-LEFT_DUP	SA	
5.3-54	JC61-01253A	RAIL-M-RIGHT_DUP	SA	
5.3-55	JC72-41191B	PMO-BEARING SHAFT	SA	
5.3-56	JC66-01262A	GEAR-FEED	SA	
5.3-57	JC72-01362A	PMO- M CAM_PICK_UP	SNA	
5.3-58	JC72-00991A	PMO-ACTUATOR EMPTY	SA	
5.3-59	JC96-03422A	ELA UNIT-PICK UP	SA	
5.3-59-1	JC66-00910A	SHAFT-PICK UP	SA	
5.3-59-2	JC97-02233A	MEA UNIT-P/UP_HOUSING	SA	
5.3-59-2-1	JC72-01361A	PMO-M IDLE-PICK UP	SNA	
5.3-59-2-2	JC61-01238A	HOUSING-M-PICK UP	SNA	
5.3-59-2-3	JC73-00223A	RUBBER-PICK_UP	SA	
5.3-59-3	JC61-01579A	HOLDER-P-REGI	SNA	
5.3-59-4	JC66-00911A	SHAFT-FEED1	SA	SKL
5.3-59-5	JC81-03458A	AS-UNIT_FEED1	SA	XEV
5.3-59-5-1	JC61-01237A	HOUSING-M-FEED1	SNA	TMX
5.3-59-5-2	JC73-00208A	RUBBER-FEED1	SA	
5.3-59-6	JC63-00674A	GROUND-P-PICK_UP_MAIN	SNA	XEV
5.3-59-7	JC61-01579A	HOLDER-P-REGI	SNA	DMV
5.3-59-8	JC72-00382B	PMO-BUSHING FEED	SNA	ETS
5.3-59-9	JC61-01234A	GUIDE-P-FRONT-DUP-PICKUP	SNA	
5.3-59-10	JC61-01233A	GUIDE-M SUPPORT-PICKUP	SNA	

## Frame Assembly Parts List

SA : SERVICE AVAILABLE, SNA : SERVICE not AVAILABLE

Drawer#	SEC_CODE	DESCRIPTION	Service	Remark
5.3-60	JC96-03420A	ELA UNIT-FEED2	SA	
5.3-61	JC92-01704A	PBA SUB-JOINT	SA	Export 220V
5.3-62	JC39-00441A	CBF HARNESS-TRAY OUT	SA	Export 110V
5.3-63	JC67-00094A	CAP-M_POWER	SNA	Domestic
5.3-64	JC39-00624A	HARNESS-INLET	SA	Export
5.3-65	JC66-00888A	SHAFT-M BELT_GEAR	SNA	Domestic
5.3-66	JC72-41191B	PMO-BEARING SHAFT	SA	
5.3-67	JC66-00674A	GEAR-M-EXIT Z17	SA	
5.3-68	JC67-00092A	CAP-M-DEVE_MOTOR	SNA	
5.3-69	JC39-00449A	CBF HARNESS-DUPLEX	SNA	
5.3-71	JC67-00036A	CAP-M-WIRE PTL LOWER	SNA	
5.3-72	JC65-00001A	TERMINAL-P_PTL	SA	
5.3-73	JC92-01516A	PBA SUB-PTL2	SA	
5.3-76	JC92-01512B	PBA SUB-EXIT SENSOR	SA	
5.3-77	JC92-01261C	PBA SUB-FUSER SW	SA	
5.3-78	JC61-01218A	GUIDE-M-FRONT	SA	
5.3-79	JC65-00010B	TERMINAL-GUIDE_FRONT	SNA	
5.3-81	JC72-00317A	PMO-GUIDE DEVE L	SA	
5.3-82	JC72-00318A	PMO-GUIDE DEVE R	SA	
5.3-83	JC61-70932A	SPRING ETC-GUIDE DEVE	SNA	
5.3-84	JC65-00008A	TERMINAL-P-TR_KESTREL	SA	
5.3-86	JC65-00009A	TERMINAL-SPRING_TR	SA	
5.3-89	JC63-00679A	GROUND-P-ZENER	SNA	
5.3-90	JC63-00676A	GROUND-P-FUSER	SNA	
5.3-91	JC65-00006A	TERMINAL-P_HV CARDINAL	SA	
5.3-92	JC97-01401A	MEA UNIT-TERMINAL:TR	SA	
5.3-93	JC39-00625A	HARNESS-HVPS	SA	
5.3-94	JC63-01757A	GROUND-OPC	SNA	
5.3-95	JC92-01874A	PBA-EMPTY	SA	
5.3-96	JC39-00620A	HARNESS-SENSOR	SA	
5.3-97	JC92-01262C	PBA SUB-FEED SENSOR	SA	
5.3-98	JC67-00098A	CAP-M_HV	SNA	
5.3-99	JC67-00097A	CAP-M_SENSOR_FEED	SNA	
5.3-100	JC61-02593A	BRACKET-MAIN	SNA	SKL
5.3-101	JC39-00992A	HARNESS-REAR_JOINT_FR	SNA	XEV
5.3-102	JC66-00738A	DAMPER-PAD ADF_R2	SNA	TMX
5.3-103	JC67-00189A	DUCT-FAN_MAIN	SA	
5.3-104	JC39-01193A	HARNESS-REAR_FAN_JOINT	SNA	XEV
5.3-105	JC72-01490A	SPONGE-S_FRAME_BTM_R	SNA	DMV
5.3-106	JC72-01489A	SPONGE-S_FRAME_BTM_L	SNA	ETS

## 5.4 Fuser Unit

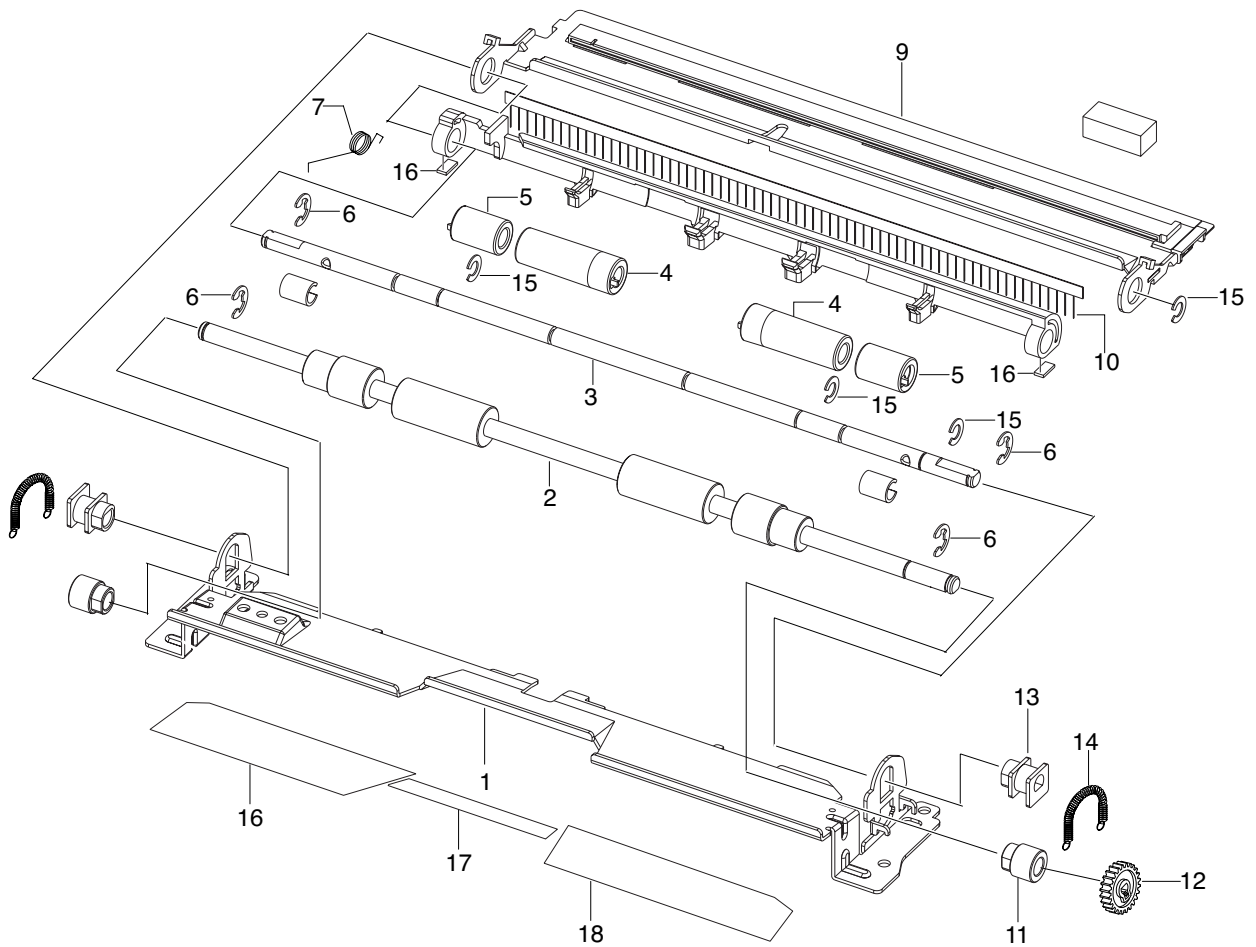
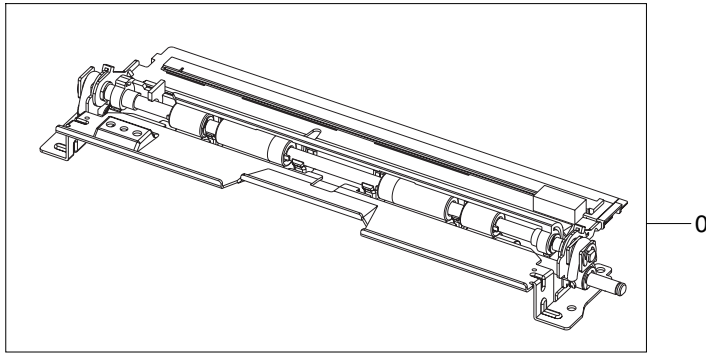


## Fuser Unit Parts List

SA : SERVICE AVAILABLE, SNA : SERVICE not AVAILABLE

Drawer#	SEC_CODE	DESCRIPTION	Service	Remark
5.4-0	JC96-04413B	ELA UNIT-FUSER	SA	220V
5.4-0	JC96-04413A	ELA UNIT-FUSER	SA	110V
5.4-1	JC96-03958B	ELA UNIT-FUSER_UPPER	SNA	220V
5.4-1	JC96-03958A	ELA UNIT-FUSER_UPPER	SNA	110V
5.4-1-2	JC71-00056A	ELECTRODE-P-FU_L_08	SA	
5.4-1-4	JC72-41012C	PMO-GUIDE CLAW GREEN	SC	
5.4-1-5	6107-001160	SPRING-TS	SA	
5.4-1-8	JC61-01215A	HOLDER-M-LEVER_L	SA	
5.4-1-9	JC61-00785A	HOLDER-M-IDLE ROLLER	SA	
5.4-1-10	JC72-40981A	PMO-ROLLER UPPER DP	SA	
5.4-1-12	JC61-01216A	HOLDER-M-LEVER_R	SA	
5.4-1-13	JC71-00052A	ELECTRODE-P-SUPPORT	SNA	
5.4-1-15	6003-000301	SCREW-TAPTITE	SNA	
5.4-1-16	JC66-01268B	ROLLER-HEAT	SNA	220V
5.4-1-16	JC66-01268A	ROLLER-HEAT	SNA	110V
5.4-1-17	6601-001384	BEARING-BALL	SNA	
5.4-1-19	JC61-01260A	BUSH-M_HR	SA	
5.4-1-21	JC61-01550A	STOPPER-SPACER	SNA	
5.4-1-22	JC71-00051A	ELECTRODE-FU	SNA	
5.4-1-24	JC67-00111A	CAP-M_ACTUATOR_UP	SNA	
5.4-1-25	JC63-00726A	COVER-M-REAR GUIDE UP	SA	
5.4-1-26	JC71-00055A	ELECTRODE-P-SU CARBON	SNA	
5.4-1-28	JC61-01284A	HOLDER-P-SL CONNECTOR	SNA	
5.4-2-1	JC61-01213A	BRACKET-P-FUSER	SNA	
5.4-2-3	JC66-00869A	GEAR-M-IDLE 25	SNA	
5.4-3	JC97-02845A	MEA UNIT-FUSER LOWER	SNA	
5.4-3-1	JC66-00931A	ROLLER-PRESSURE	SA	
5.4-3-3	6107-000103	SPRING-CS	SNA	
5.4-3-5	JC66-00880A	LEVER-P-RELEASE_L	SNA	
5.4-3-6	6107-000103	SPRING-CS	SNA	
5.4-3-7	JC67-00102A	CAP-M-FUSER LOCK	SA	
5.4-3-8	JC66-00881A	LEVER-P-RELEASE_R	SNA	
5.4-3-10	JC63-00683A	GROUND-P-HR	SNA	
5.4-3-11	JC61-70903A	SPRING ETC-ACTUATOR	SA	
5.4-3-12	JC72-01358A	PMO-ACTUATOR EXIT	SA	
5.4-3-13	JC67-00103A	CAP-M-ACTUATOR	SNA	
5.4-3-14	6003-000301	SCREW-TAPTITE	SNA	
5.4-4	JC97-02631A	MEA UNIT-FUSER_GU_R	SA	
5.4-4-1	JC61-01226B	GUIDE-M_REAR	SNA	
5.4-4-2	JC72-00382A	PMO-BUSHING TX	SNA	
5.4-4-6	JC61-01549A	HOLDER-M REAR_LEVER	SNA	

## 5.5 REGI Assembly



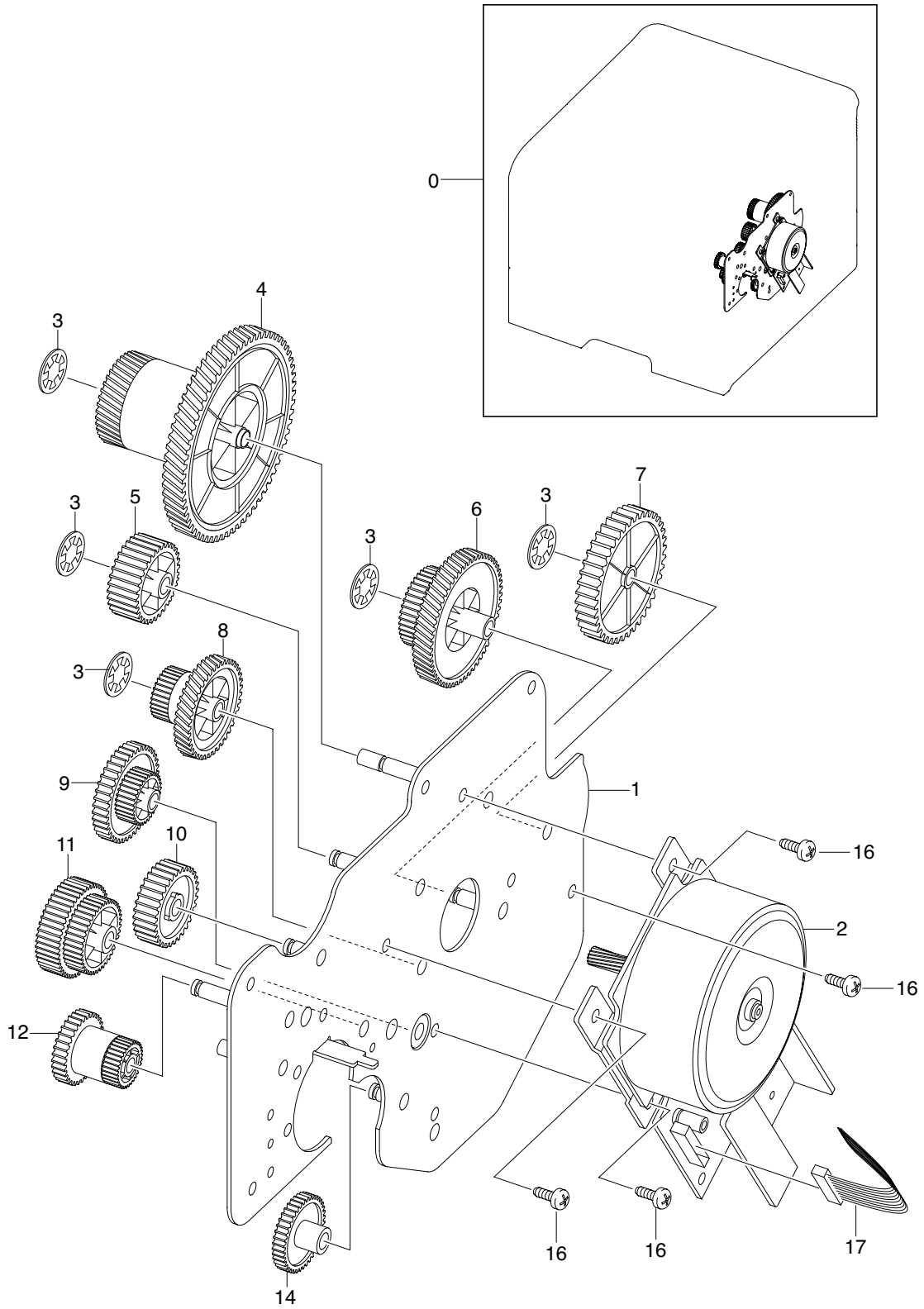
## REGI Assembly Parts List

SA : SERVICE AVAILABLE, SNA : SERVICE not AVAILABLE

Drawer#	SEC_CODE	DESCRIPTION	Service	Remark
5.5-0	JC96-03959C	ELA UNIT-REGI SE	SA	
5.5-1	JC61-00674A	GUIDE-P_REGI LOWER	SA	
5.5-2	JC66-00450A	ROLLER-REGI LOWER L	SNA	
5.5-3	JC66-00446A	SHAFT-REGI UPPER	SA	
5.5-4	JC66-00647A	ROLLER-M_REGI IDLE L25	SA	
5.5-5	JC66-00648A	ROLLER-M_REGI IDLE S25	SA	
5.5-6	6044-000231	RING-E	SA	
5.5-7	6107-001165	SPRING-TS	SA	
5.5-8	JC72-00998A	PMO-ACTUATOR REGISHUTTER	SA	
5.5-9	JC61-00670A	GUIDE-P_REGI PLATE	SA	
5.5-10	JC75-00095A	MEC-BRUSH ANTISTATIC	SA	
5.5-11	JC61-00669A	BUSH-M-ROLLER REGI U	SA	
5.5-12	JC66-00420A	GEAR-REGI Z25	SA	
5.5-13	JC61-00669A	BUSH-M-ROLLER REGI U	SA	
5.5-14	6107-001155	SPRING-ES	SA	
5.5-16	JC63-02120A	SHEET-REGI_LEFT	SNA	
5.5-17	JC63-02158A	SHEET-REGI_MIDDLE	SNA	
5.5-18	JC63-02121A	SHEET-REGI_RIGHT	SNA	



## 5.6 Main Motor Assembly

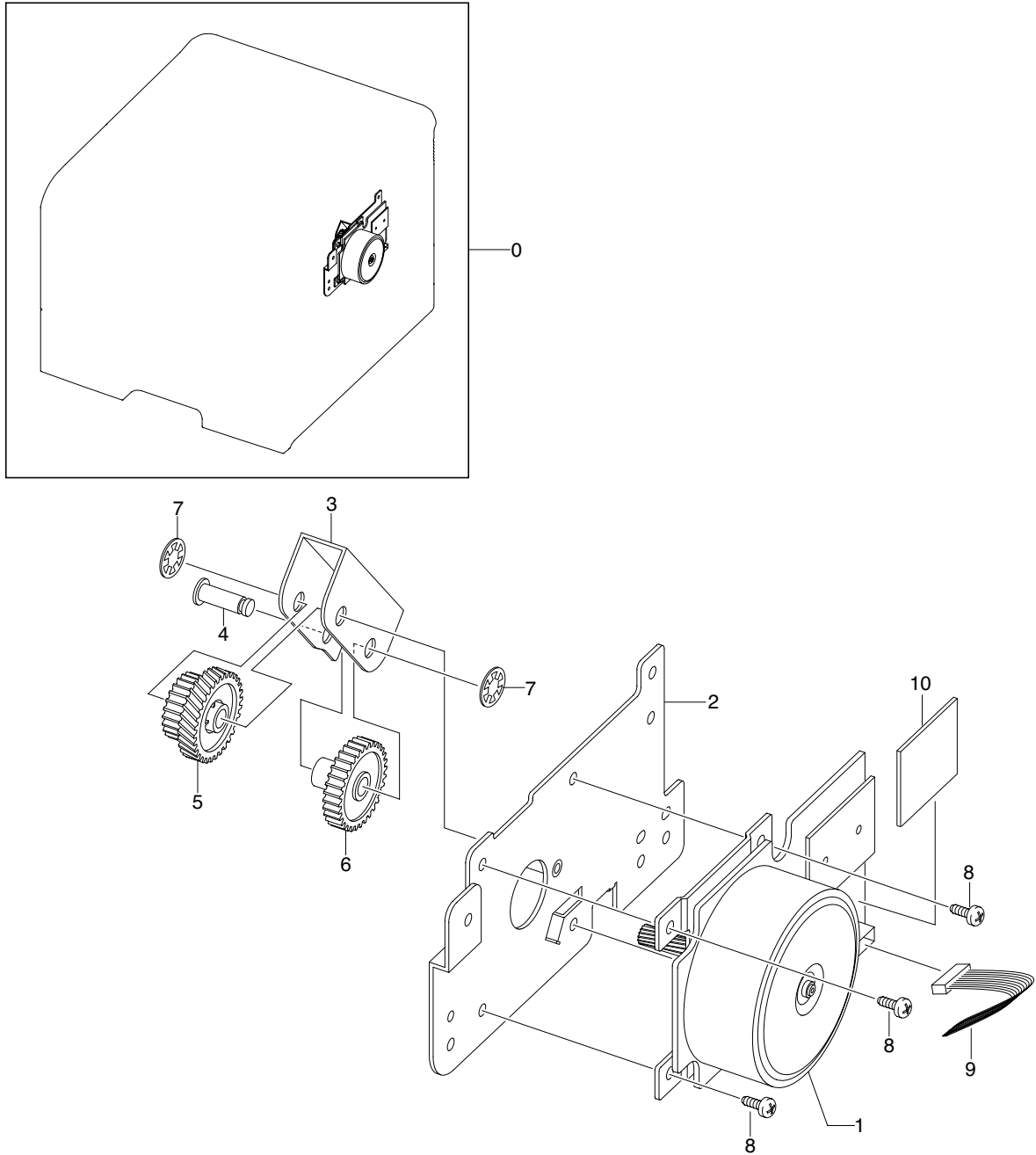


## Main Motor Assembly Parts List

SA : SERVICE AVAILABLE, SNA : SERVICE not AVAILABLE

Drawer#	SEC_CODE	DESCRIPTION	Service	Remark
5.6-0	JC96-04063A	DRIVE	SA	
5.6-1	JC61-01204A	BRACKET-P-MAIN	SNA	
5.6-2	JC31-00040A	MOTOR BLDC-MAIN	SA	
5.6-3	6031-001255	WASHER-PLAIN	SA	
5.6-4	JC66-00867A	GEAR-M-OPC DRV	SNA	
5.6-5	JC66-00864A	GEAR-M-REGI DRV	SNA	
5.6-6	JC66-00860A	GEAR-M-RDCN FUSER	SNA	
5.6-7	JC66-00875A	GEAR-M-FUSER IDLE 1	SA	
5.6-8	JC66-00865A	GEAR-M-RDCN REGI	SNA	
5.6-9	JC66-00866A	GEAR-M-RDCN PICK UP	SNA	
5.6-10	JC66-00861A	GEAR-M-MP DRV	SNA	
5.6-11	JC66-00862A	GEAR-M-FEED DRV	SNA	
5.6-12	JC66-00873A	GEAR-M-RDCN MP	SNA	
5.6-14	JC66-00863A	GEAR-M-PICK UP DRV	SNA	

## 5.7 Deve Motor Assembly

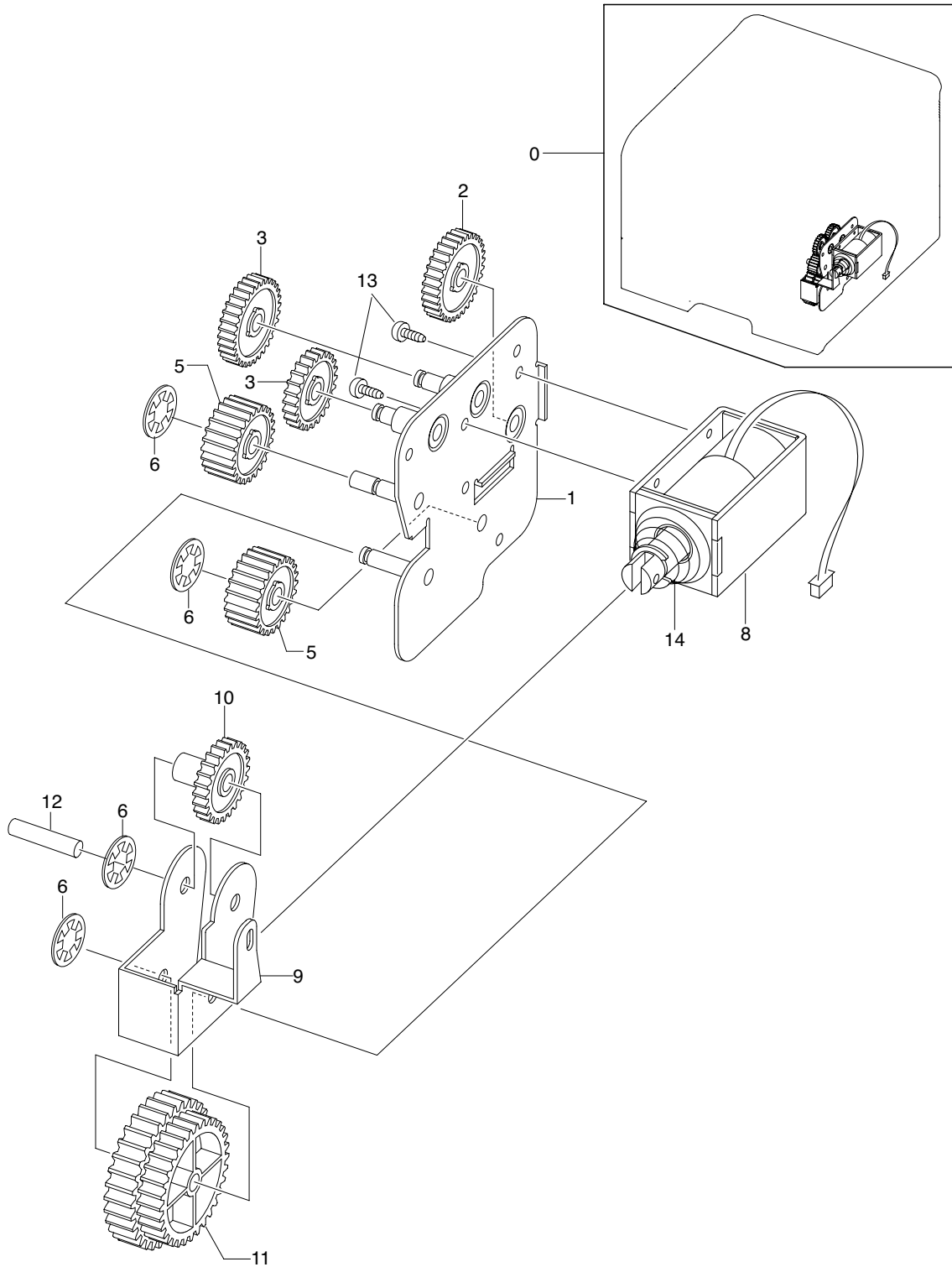


## Deve Motor Assembly Parts List

SA : SERVICE AVAILABLE, SNA : SERVICE not AVAILABLE

Drawer#	SEC_CODE	DESCRIPTION	Service	Remark
5.7-0	JC96-03408A	ELA UNIT-DEVE MOTOR	SA	
5.7-1	JC31-00039A	MOTOR BLDC-DEVE	SA	
5.7-2	JC61-01201A	BRACKET-P-DEVE	SNA	
5.7-3	JC61-01203A	BRACKET-P-SWING	SNA	
5.7-4	JC66-00915A	SHAFT-SWING DEVE	SNA	
5.7-5	JC66-00871A	GEAR-M-RDCN DEVE	SNA	
5.7-6	JC66-00857A	GEAR-M-SWING	SNA	

## 5.8 Duplex Sorenoid Assembly

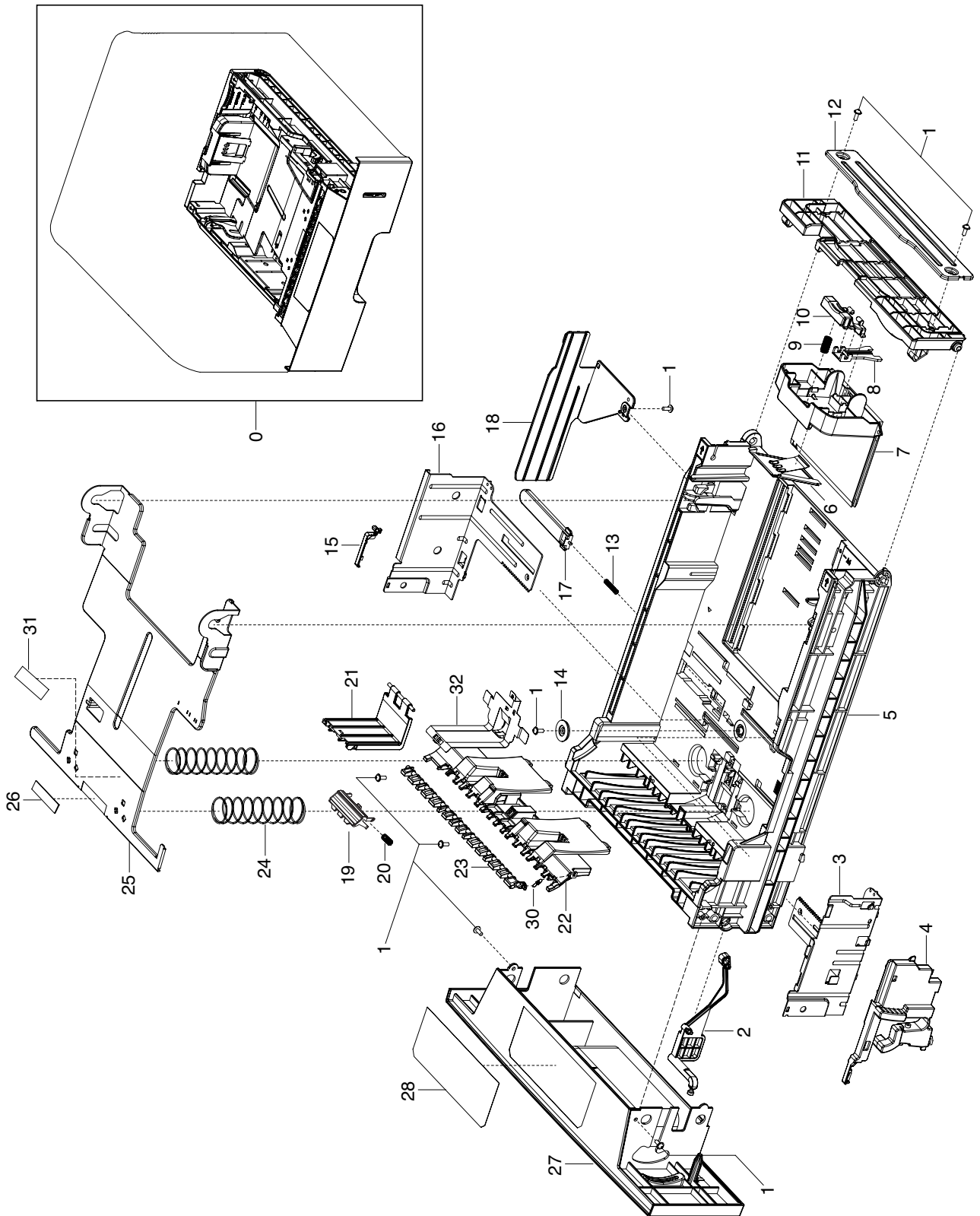


## Duplex Sorenoid Assembly Parts List

SA : SERVICE AVAILABLE, SNA : SERVICE not AVAILABLE

Drawer#	SEC_CODE	DESCRIPTION	Service	Remark
5.8-0	JC96-03426A	ELA UNIT-EXIT SOL	SA	
5.8-1	JC61-01205A	BRACKET-P-EXIT	SNA	
5.8-2	JC66-00869A	GEAR-M-IDLE 25	SNA	
5.8-3	JC61-70915A	SPRING ETC-SOLENOID DP	SA	
5.8-4	JC66-40911A	GEAR-DP,IDLE	SA	
5.8-5	JC66-00100A	GEAR-6	SNA	
5.8-6	6031-001255	WASHER-PLAIN	SA	
5.8-8	JC33-00008A	SOLENOID-DUPLEX	SA	
5.8-9	JC61-01202A	BRACKET-P-LINK SWING	SNA	
5.8-10	JC66-00855A	GEAR-M-SWING DUPLEX	SNA	
5.8-11	JC66-00856A	GEAR-M-RDCN EXIT	SNA	
5.8-12	JC66-00916A	SHAFT-SWING DUPLEX	SNA	

## 5.9 Cassette Assembly



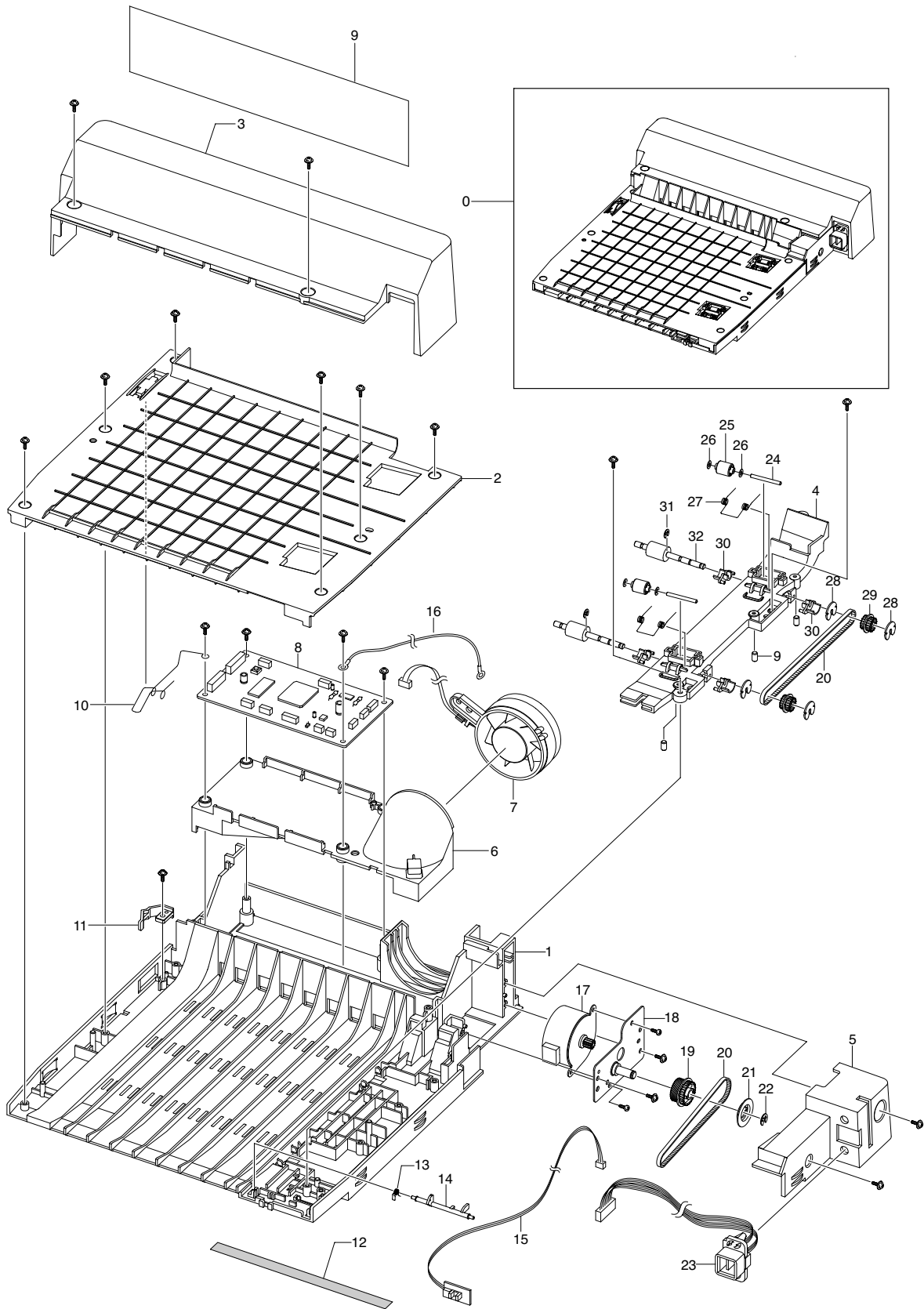
## Cassette Assembly Parts List

SA : SERVICE AVAILABLE, SNA : SERVICE not AVAILABLE

Drawer#	SEC_CODE	DESCRIPTION	Service	Remark
5.9-0	JC96-04015B	ELA UNIT-CASSETTE	SA	
5.9-1	6002-000440	SCREW-TAPPING	SNA	
5.9-2	JC64-00189B	INDICATOR-M_EMPTY	SNA	
5.9-3	JC61-01244A	GUIDE-P-SIDE_R	SNA	
5.9-4	JC61-01225B	GUIDE-M_SIDE LOCK	SNA	
5.9-5	JC61-01220C	FRAME-M_CASSETTE	SA	
5.9-6	JC61-00751A	GUIDE-P-REAR PAPER CST	SA	
5.9-7	JC61-01226B	GUIDE-M_REAR	SNA	
5.9-8	JC61-00267B	GUIDE-M-LOCK A	SA	
5.9-9	JC61-00414A	SPRING ETC-GUIDE PAPER	SA	
5.9-10	JC64-00190B	KNOB-M_REAR	SNA	
5.9-11	JC61-01224C	GUIDE-M_EXTENSION CST	SA	
5.9-12	JC61-01223A	BRACKET-P-EXTENTION	SNA	
5.9-13	JG61-70531A	SPRING ETC-LOCKER,PLATE	SNA	
5.9-14	JG66-40003A	GEAR-PINION	SNA	
5.9-15	JC67-00037A	CAP-M-GUIDE SIDE,L	SA	
5.9-16	JC61-01222A	GUIDE-P-SIDE_L	SA	
5.9-17	JC72-41210A	PMO-LOCKER PLATE	SA	
5.9-18	JC61-01227A	GUIDE-M-PAPER SIZE	SNA	
5.9-19	JC97-03267A	MEA UNIT-HOLDER PAD	SA	
5.9-20	JC61-70911A	SPRING ETC-EXIT ROLL FD	SNA	
5.9-21	JC61-01228A	HOLDER-M-PAD_HOUSING	SNA	
5.9-22	JC61-01724A	GUIDE-PAPER	SNA	
5.9-23	JC64-00268A	SHUTTER-PATH	SNA	
5.9-24	JC61-00455A	SPRING ETC-PLATE K/UP	SA	
5.9-25	JC61-01245A	PLATE-P-KNOCK UP	SNA	
5.9-26	JC73-00141A	RPR-PAD CASSETTE	SNA	
5.9-27	JC61-01221C	GUIDE-M_HANDLE	SA	
5.9-28	JC68-01552A	LABEL(R)-CASSETTE	SNA	



## 5.10 Duplex Unit

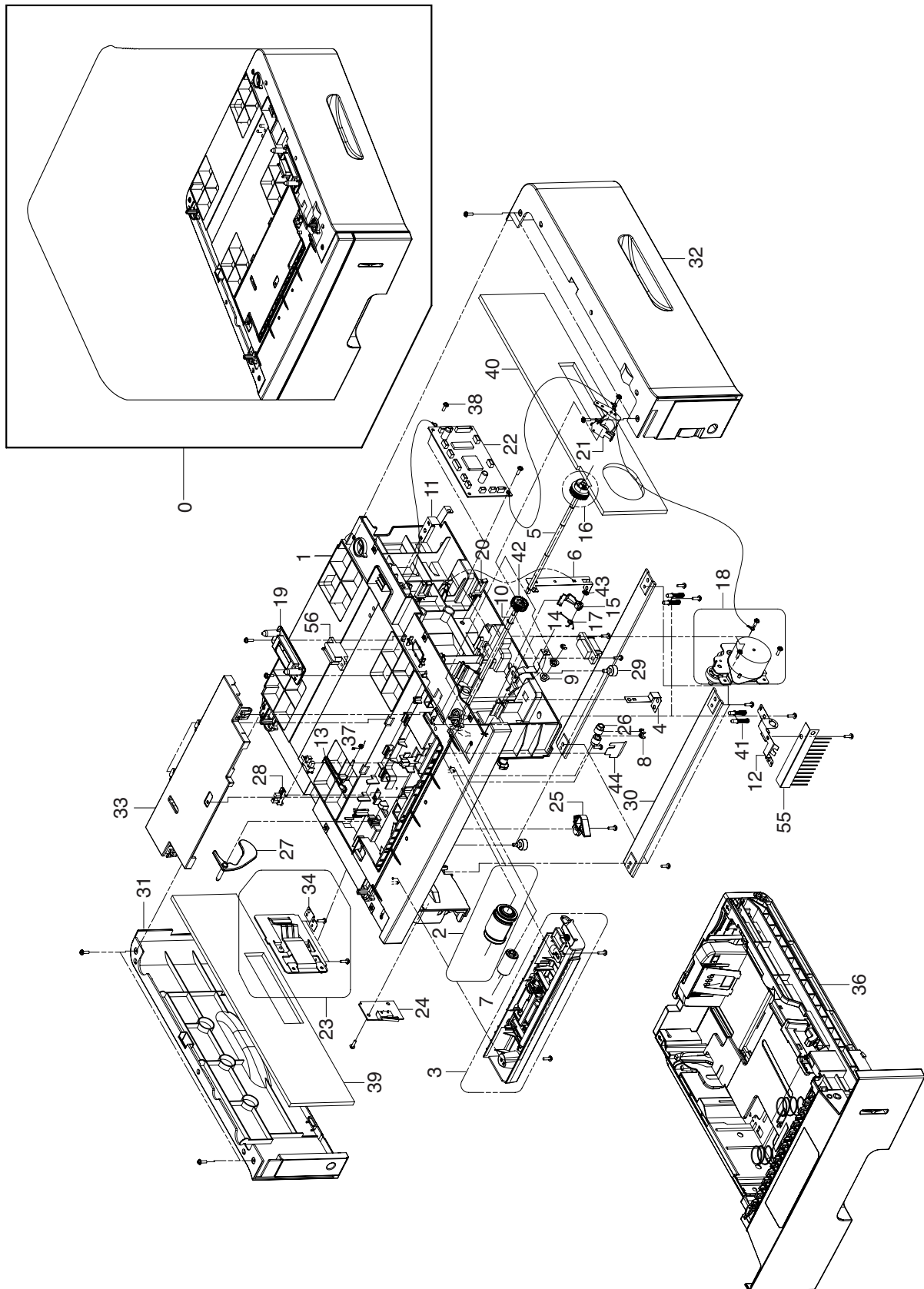


## Duplex Unit Parts List

SA : SERVICE AVAILABLE, SNA : SERVICE not AVAILABLE

Drawer#	SEC_CODE	DESCRIPTION	Service	Remark
5.10-0	JC96-03412D	ELA UNIT-DUPLEX	SNA	
5.10-1	JC61-01254A	FRAME-M-DUPLEX	SA	
5.10-2	JC61-01255A	GUIDE-M-UPPER_DUP	SA	
5.10-3	JC63-00693C	COVER-M_REAR_DUP	SA	
5.10-4	JC61-01697A	GUIDE-M_ALIGN_DPX	SNA	
5.10-5	JC67-00107A	CAP-M-CONNECTOR_DUP	SA	
5.10-6	JC67-00106A	DUCT-M-FAN_DUP	SA	
5.10-7	JC31-00004A	FAN-DC_HAWK	SA	
5.10-8	JC92-01883A	PBA-DPX	SA	
5.10-9	JC70-00457A	ICT-STUD PAPER GUIDE, DP	SA	
5.10-10	JC70-00512A	IPR-TERMINAL GND_DUP	SA	
5.10-11	JC64-00191A	LOCKER-M-DUP	SA	
5.10-12	JC63-00706A	SHEET-FRAME_DUP	SA	
5.10-13	6107-001165	SPRING-TS	SA	
5.10-14	JC72-01366A	PMO-ACTUATOR FEED DUP	SA	
5.10-15	JC92-01362A	PBA SUB-MP SEN	SA	
5.10-16	JB39-00103A	CBF HARNESS-LIU GND	SA	
5.10-17	JC31-00009A	MOTOR STEP	SA	
5.10-18	JC61-01257A	BRACKET-P-MOTOR_DUP	SA	
5.10-19	JC66-00897A	PULLEY-M-30_DUP	SA	
5.10-20	6602-001084	BELT-TIMING GEAR	SA	
5.10-21	JC66-00898A	PULLEY-M-30-DUMMY_DUP	SA	
5.10-22	6044-000231	RING-E	SA	
5.10-23	JC39-00450A	CBF HARNESS-D_JOINT	SA	
5.10-24	JC66-00444A	SHAFT-IDLE ROLL, DUP	SA	
5.10-25	JC66-00896A	ROLLER-M-IDLE_DUP	SA	
5.10-26	JK72-00058A	PCT-SILP WASHER	SNA	
5.10-27	JC61-01277A	SPRING ETC-DUP	SA	
5.10-28	JC66-00900A	PULLEY-M-18-DUMMY_DUP	SA	
5.10-29	JC66-00899A	PULLEY-18_DUP	SA	
5.10-30	JC61-00665A	BUSH-M-FEED, DUP	SA	
5.10-31	6044-000107	RING-C	SA	
5.10-32	JC66-00901A	ROLLER-FEED_DUP	SA	

## 5.11 SCF Unit



## SCF Unit Parts List

SA : SERVICE AVAILABLE, SNA : SERVICE not AVAILABLE

Drawer#	SEC_CODE	DESCRIPTION	Service	Remark
5.11-0	JC96-04018C	ELA UNIT-SCF	SNA	
5.11-1	JC61-01247C	FRAME-M_SCF	SA	
5.11-2	JC97-02233A	MEA UNIT-P/UP_HOUSING	SA	
5.11-3	JC96-04019A	ELA UNIT-IDLE_SCF	SA	
5.11-4	JC63-01136A	GROUND-P_FRONT_BOTTOM	SNA	
5.11-5	JC66-01277A	SHAFT-PICK UP_SCF	SA	
5.11-6	JC63-01140A	GROUND-P_REAR_BOTTOM	SNA	
5.11-7	JC81-03458A	AS-UNIT_FEED1	SA	
5.11-8	6044-000125	RING-E	SNA	
5.11-9	JC66-10202A	BEARING-PICK UP	SA	
5.11-10	JC66-01276A	SHAFT-FEED_SCF	SA	
5.11-11	JC63-01138A	GROUND-P_REAR_TOP	SNA	
5.11-12	JC63-01141A	GROUND-P_SHAFT	SNA	
5.11-13	JC66-01275A	ACTUATOR-FEED	SA	
5.11-14	JC63-01137A	GROUND-P_MOTOR_SCF	SNA	
5.11-15	JC61-01743A	HOLDER-PICK_UP_SCF	SNA	
5.11-16	JC97-02691A	MEA UNIT-GEAR_PICK_UP	SA	
5.11-17	6107-001170	SPRING-TS	SNA	
5.11-18	JC96-03956A	ELA UNIT-MOTOR SCF	SA	
5.11-19	JC61-01742A	HOLDER-CONNECTOR_SCF	SA	
5.11-20	6502-001093	CABLE CLAMP	SNA	
5.11-21	JC33-00012A	SOLENOID-MAIN	SA	
5.11-22	JC92-01882A	PBA-SCF	SA	
5.11-23	JC96-02127A	ELA HOU-CST SENSOR HAWK16	SA	
5.11-24	JC92-01686A	PBA SUB-SCF_COVEROPEN	SA	
5.11-25	JC72-01355A	PMO-REMOVE_LOCK_CST	SA	
5.11-26	JC61-01579A	HOLDER-P-REGI	SNA	
5.11-27	JC72-00992A	PMO-ACTUATOR EMPTY,SCF	SA	
5.11-28	0604-001095	PHOTO-INTERRUPTER	SNA	
5.11-29	JC61-40001A	FOOT-ML80	SA	
5.11-30	JC71-00042A	BAR-P_CROSS BOTTOM	SA	
5.11-31	JC63-00687C	COVER-M_LEFT_SCF	SA	
5.11-32	JC63-00688C	COVER-M_RIGHT_SCF	SA	
5.11-33	JC63-00686B	COVER-DUMMY_SCF	SA	
5.11-34	JC63-00675A	GROUND-P-PAPER_SIZE	SNA	
5.11-35	JC72-01362A	PMO- M CAM_PICK_UP	SNA	
5.11-36	JC96-04015B	ELA UNIT-CASSETTE	SA	
5.11-37	6107-001261	SPRING-TS	SA	
5.11-38	6003-000196	SCREW-TAPTITE	SNA	
5.11-39	JC72-01369A	SPONGE-COVER_L	SNA	
5.11-40	JC72-01370A	SPONGE-COVER_R	SNA	
5.11-41	JC97-01401A	MEA UNIT-TERMINAL:TR	SA	
5.11-42	JC66-01262A	GEAR-FEED	SA	
5.11-43	6044-000001	RING-CS	SA	

## SCF Unit Parts List

SA : SERVICE AVAILABLE, SNA : SERVICE not AVAILABLE

Drawer#	SEC_Code	Description	QT'y	Service	Remark
5.11-44	JC63-01163A	SHEET-GUIDE_PATH	1	SA	
5.11-45	JC39-00448A	CBF HARNESS-S_P_SIZE	1	SA	
5.11-46	JB39-40532A	CBF HARNESS-OPE	2	SA	
5.11-47	JC39-00446A	CBF HARNESS-S_EMPTY	2	SA	
5.11-49	JC39-00547A	CBF HARNESS-SCF	2	SA	
5.11-50	JC39-00355A	CBF HARNESS-MOTOR	1	SA	
5.11-52	JC39-00447A	CBF HARNESS-CASSETTE	1	SA	
-	3903-000042	CBF-POWER CORD	1	SA	AC-220V
-	3903-000085	CBF-POWER CORD	1	SA	AC-110V