

8. Exploded Views and Parts List

Contents

| | | |
|-------------|-------------------------------|--------|
| 8.1 | Main Assembly | p.8-2 |
| 8.2 | Cover Assembly | p.8-3 |
| 8.3 | Frame Assembly | p.8-4 |
| 8.4 | Fuser Unit | p.8-6 |
| 8.5 | REGI Assembly | p.8-7 |
| 8.6 | Main Motor Assembly | p.8-8 |
| 8.7 | Deve Motor Assembly | p.8-9 |
| 8.8 | Exit Sorenoid Assembly | p.8-10 |
| 8.9 | Cassette Assembly | p.8-11 |
| 8.10 | SCF Unit | p.8-12 |
| 8.11 | Duplex Unit | p.8-13 |

Part Number & Description format.

Part numbers and descriptions are defined according to a company standard. The information below will help you to understand the part number format and assist when ordering spare parts.

- There are two types of Part number format.

| | | |
|--|------------------|--------------------|
| ●●●●—●●●●●● | ex) 2007-007961 | R-CHIP |
| ■ ■ ● ● — ● ● ● ● ● ■ └─ It shows part specific | ex) JB96-01268A | ELA UNIT-COVER TOP |

(● : number ■ : letter)

Type 1 : This format is used throughout Samsung on all product ranges.
Typically it is used for small components and electronic parts.

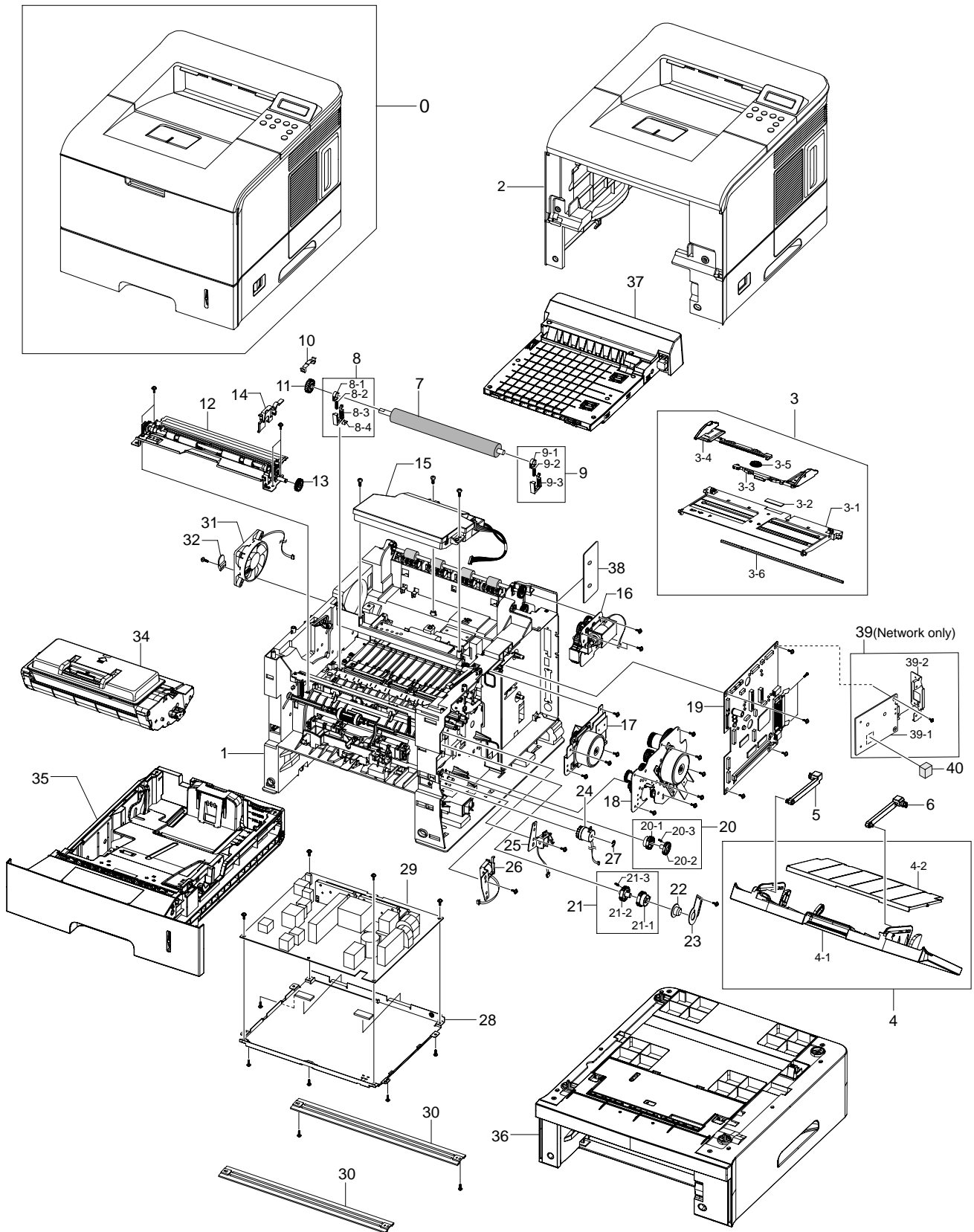
Type 2 : This format is controlled by individual Samsung Divisions and is used on specific products, typically for mechanical parts. Type 2 format part numbers fall into 2 categories:

- **A/S privately used part** : It is only used for A/S .
- **Ass'y part** : Assemblies consisting of 2 or more parts. Also used for Service manuals, user guides and diagrams.

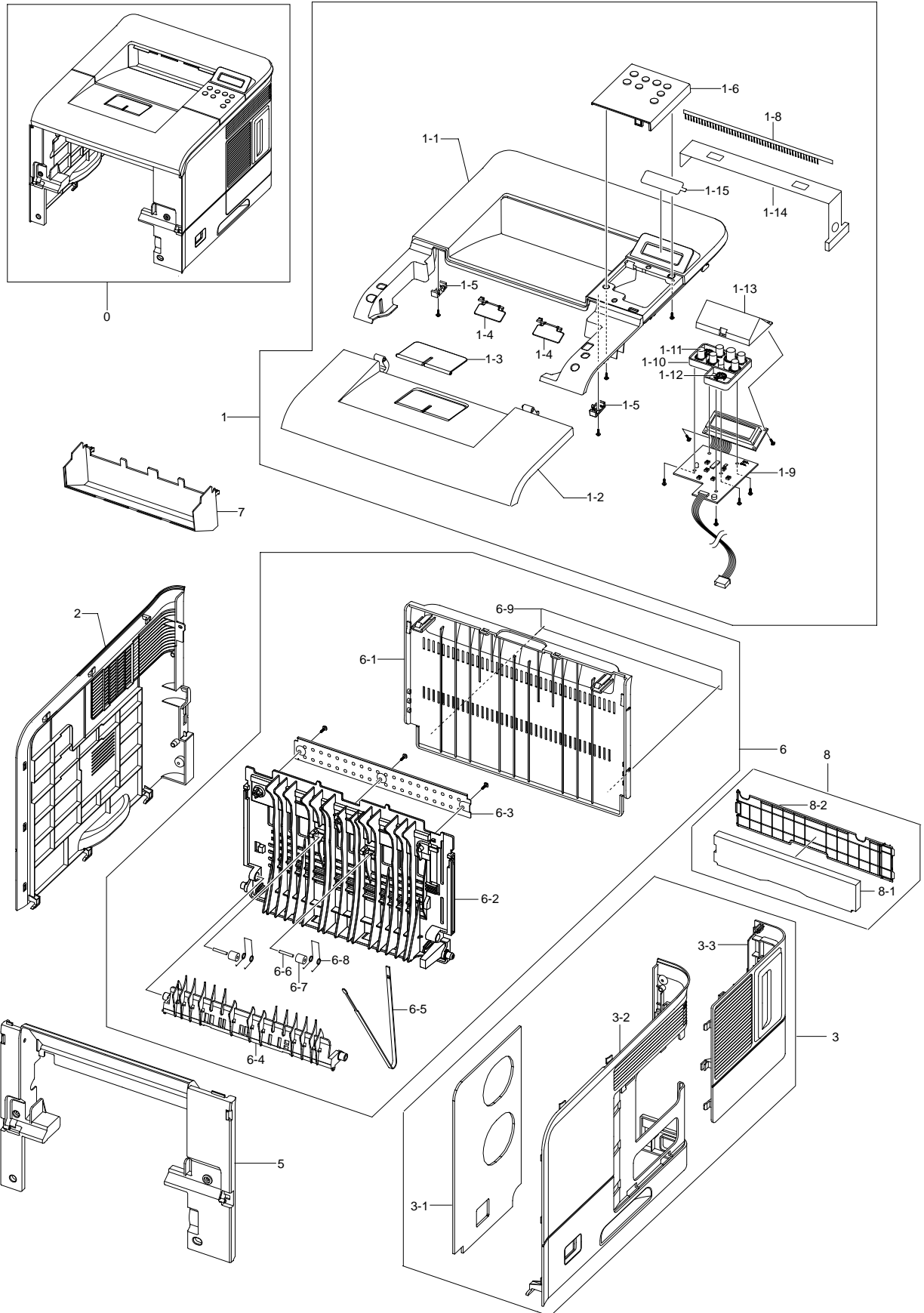
• Ass'y parts and A/S privately used Parts can be distinguished by the part Code and Description. They are always Type 2 format. The 2 leading characters indicate private or assembly parts.

| DIVISION | PART CODE | DESCRIPTION |
|-------------|-----------------------------|-------------------------------------|
| A/S Private | **81-***** (JB81-00039A) | AS-***** (AS-USE) |
| ASS'Y Part | **75-***** (JB75-00068A) | MEC-***** (MEC-CHUTE) |
| ASS'Y Part | **92-***** (JB92-01131A) | PBA ***** (PBA MAIN-CONTROLLER) |
| ASS'Y Part | **97-***** (JB97-01089A) | MEA ***** (MEA UNIT-PULLEY IDLE) |

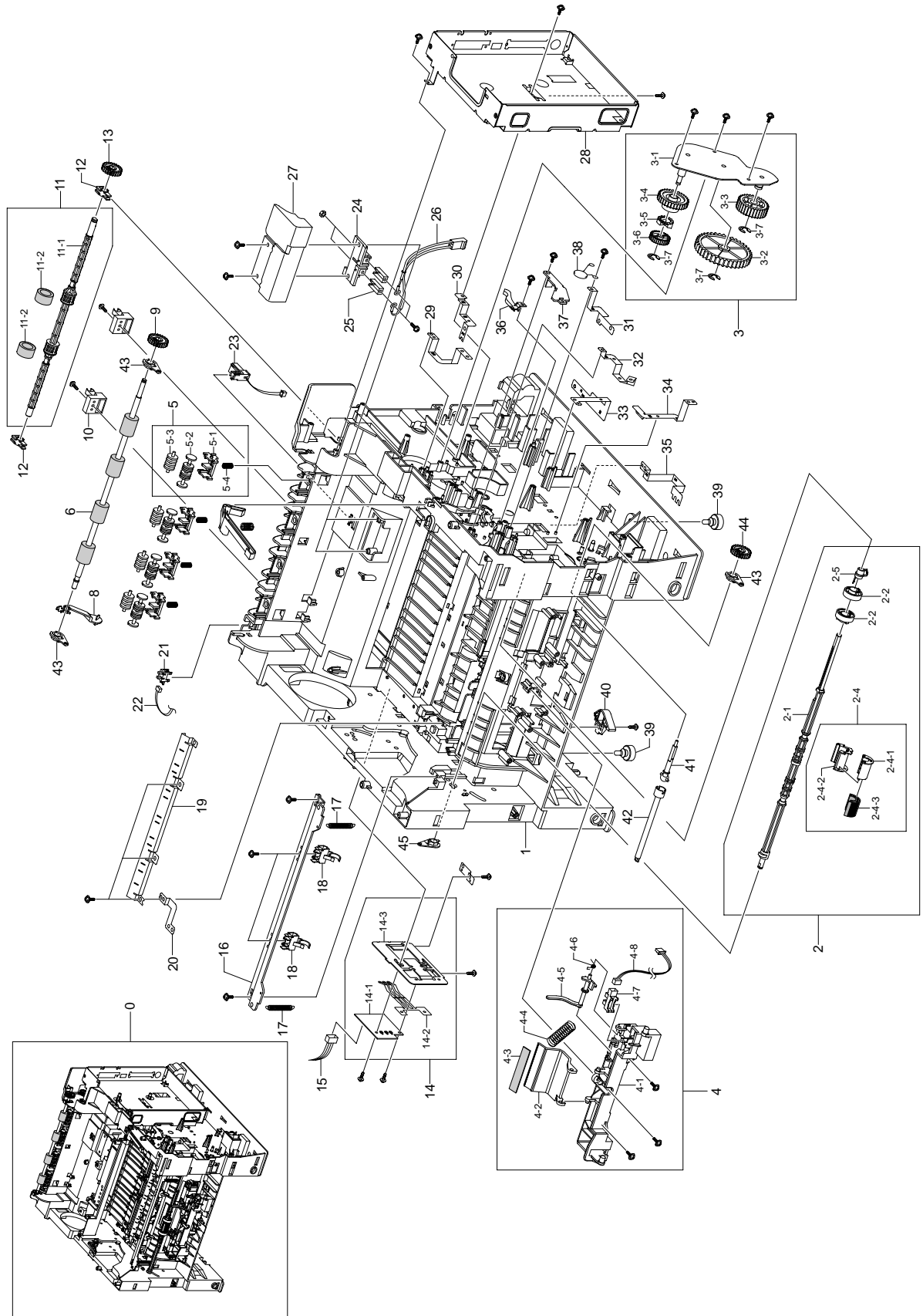
8.1 Main Assembly



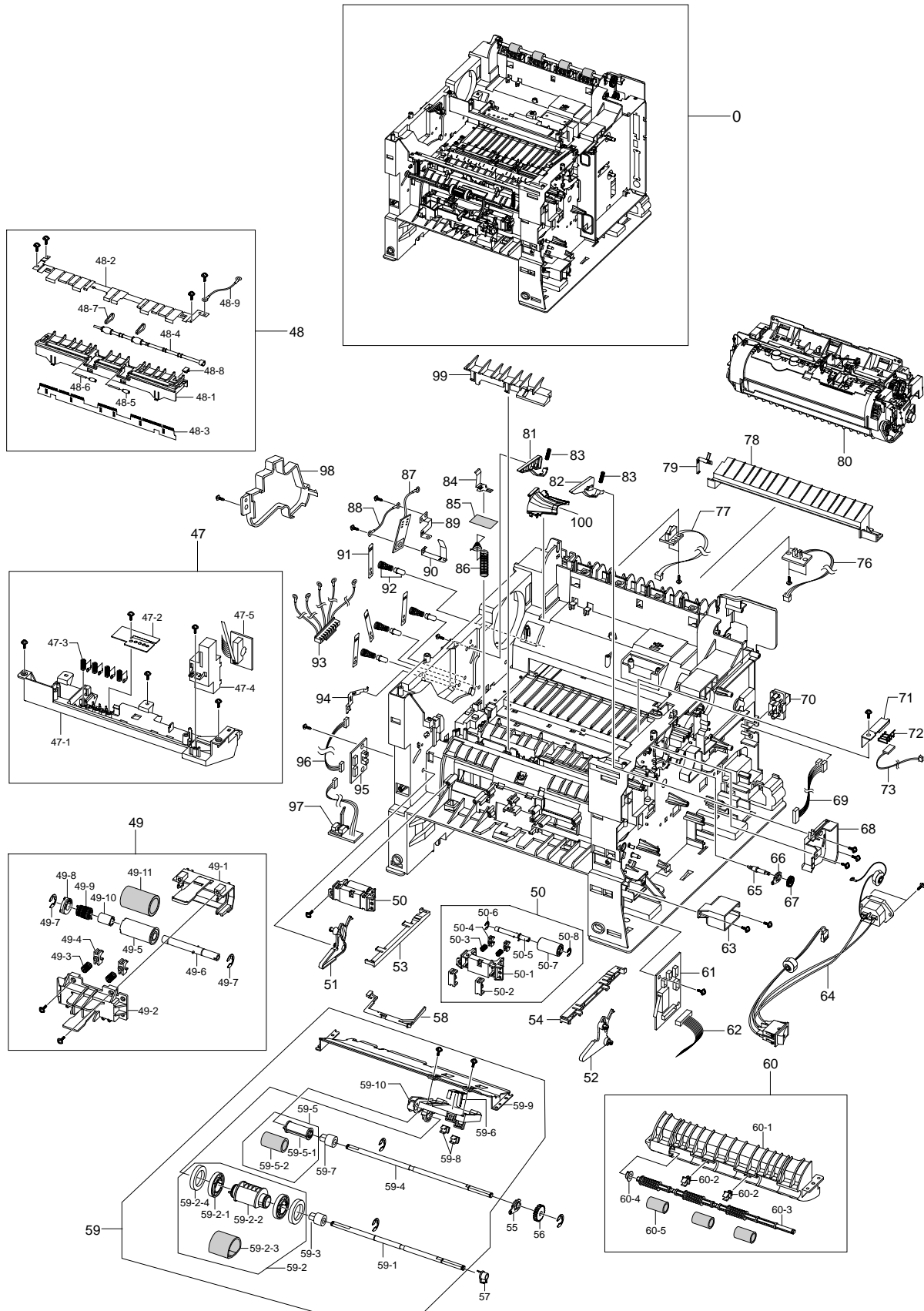
8.2 Cover Assembly



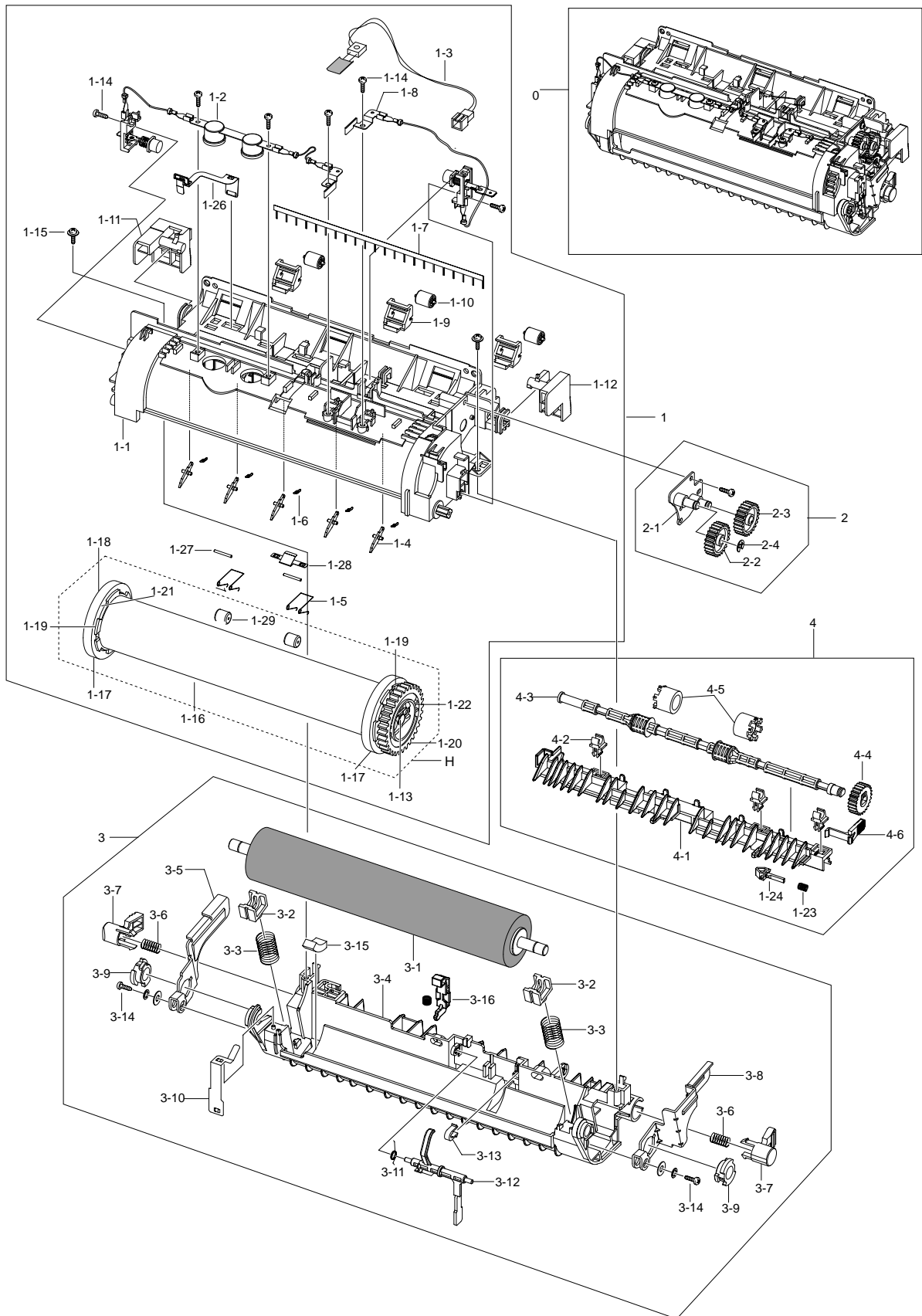
8.3 Frame Assembly(1/2)



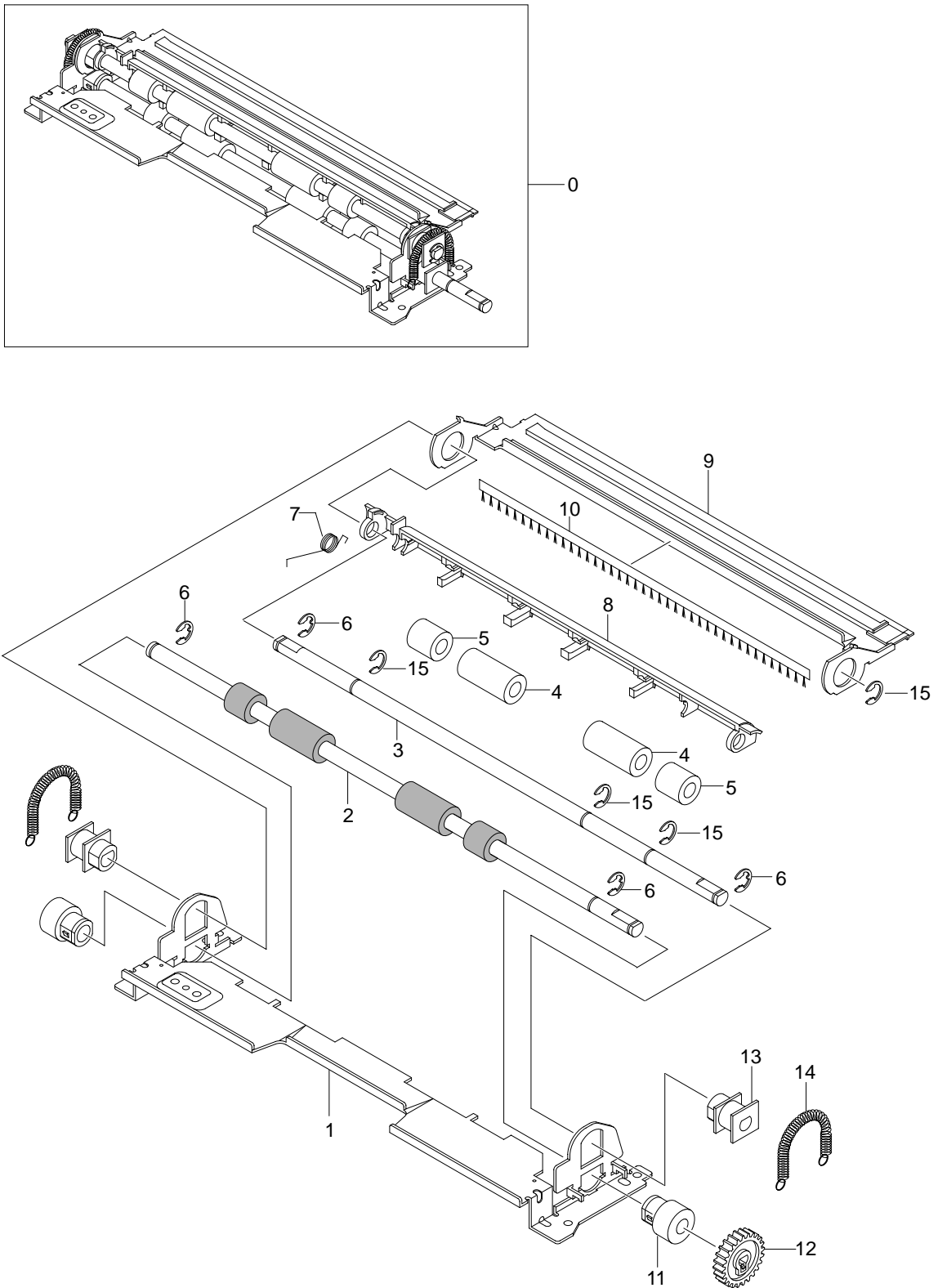
Frame Assembly(2/2)



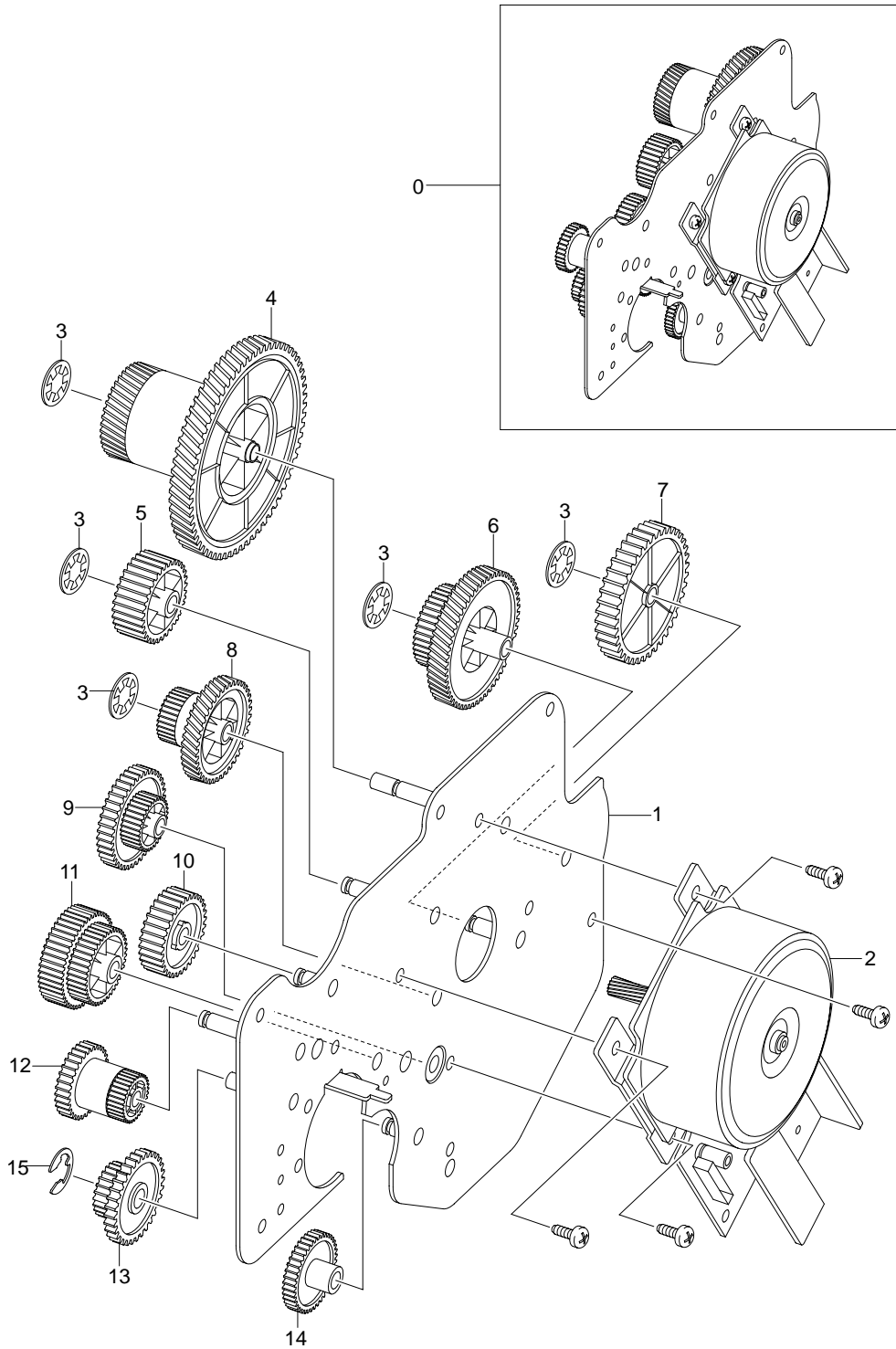
8.4 Fuser Unit



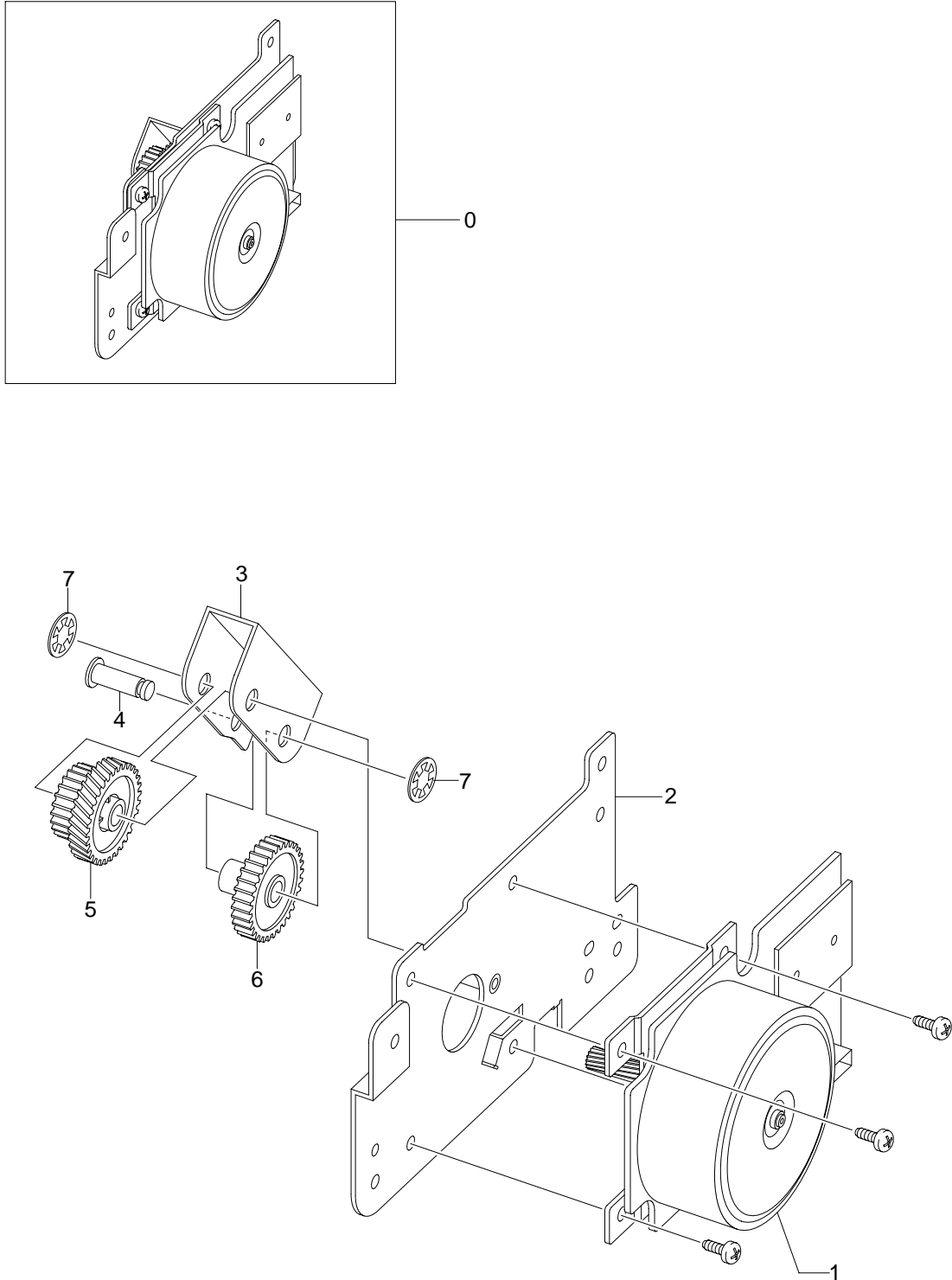
8.5 REGI Assembly



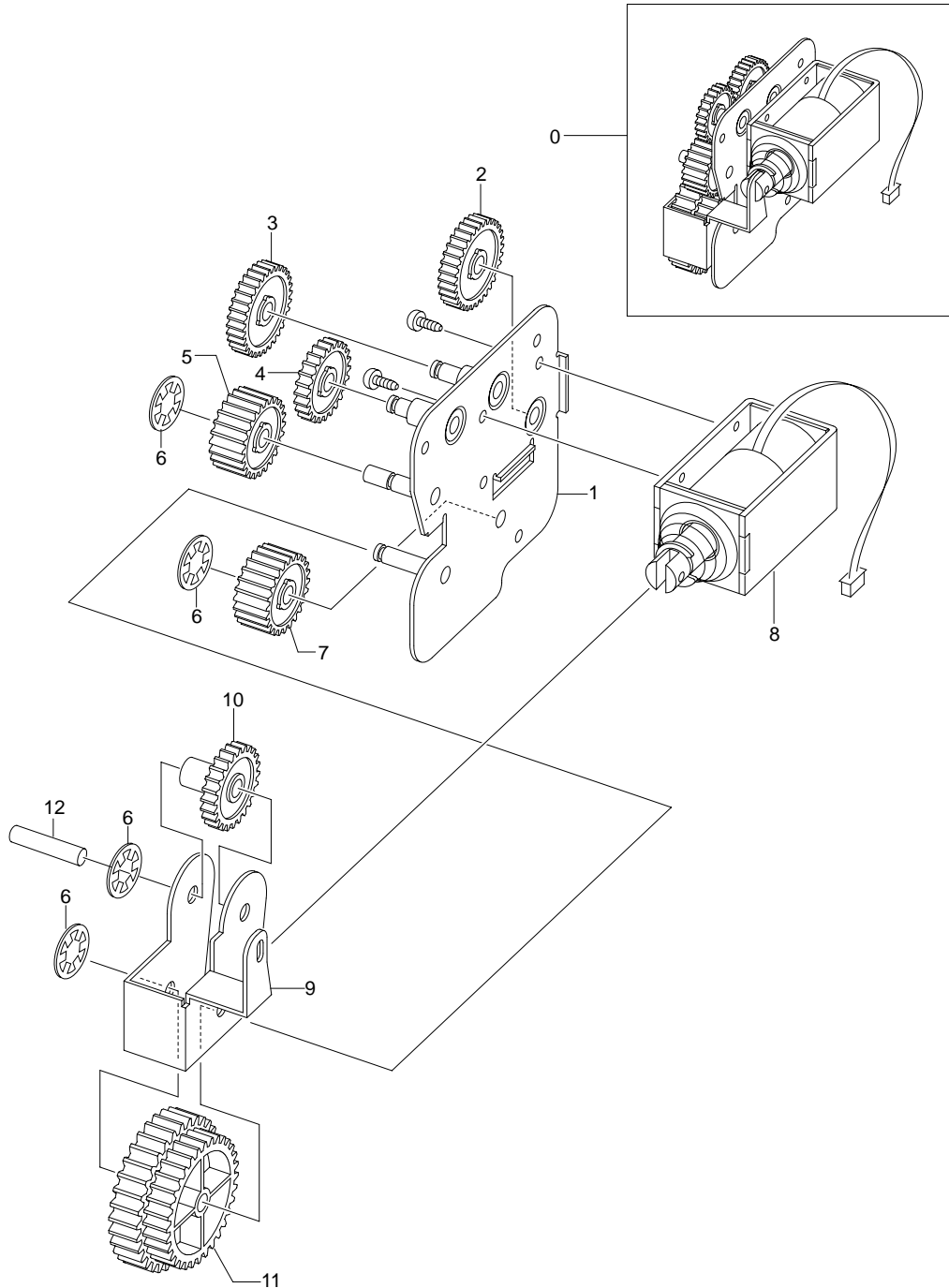
8.6 Main Motor Assembly



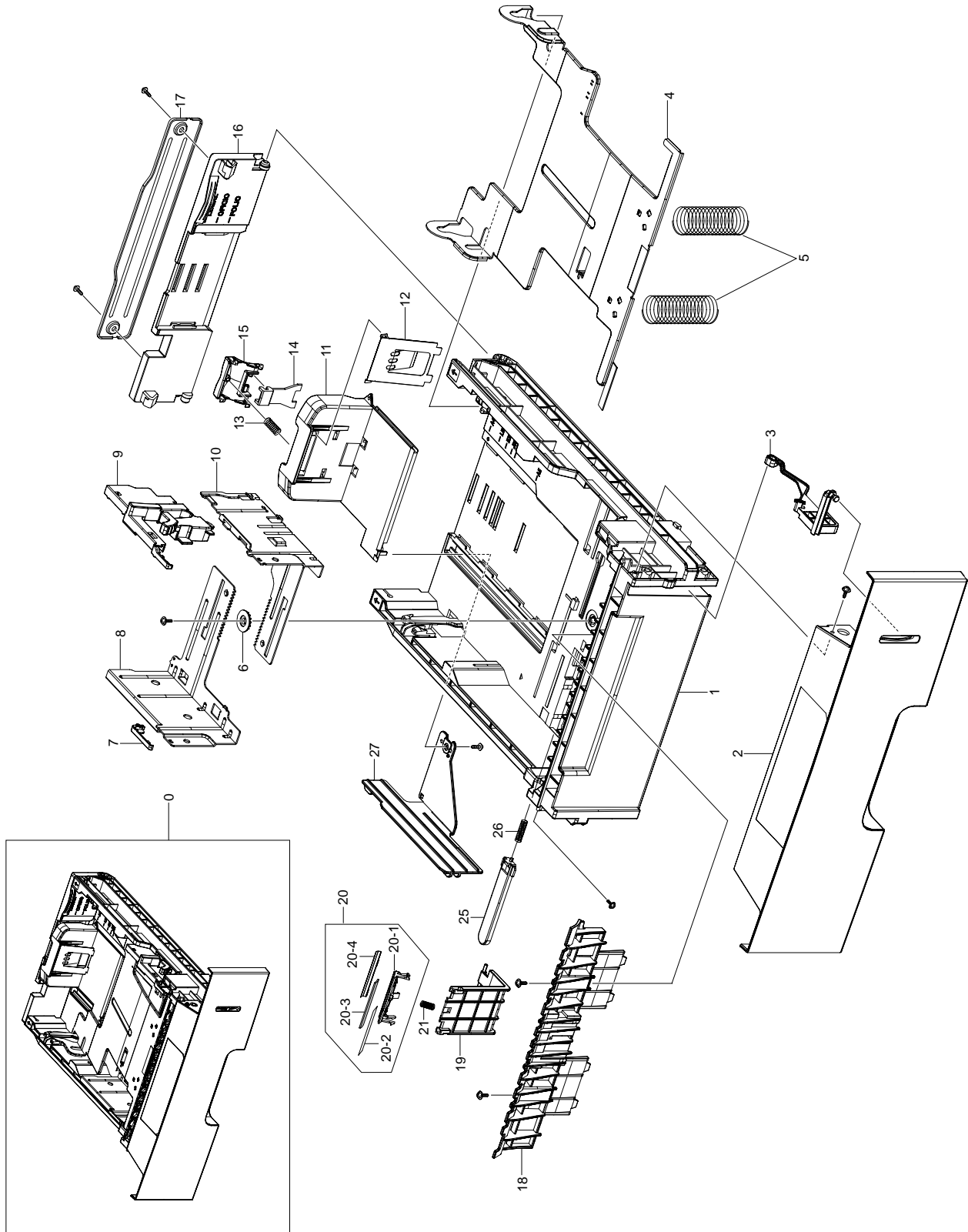
8.7 Deve Motor Assembly



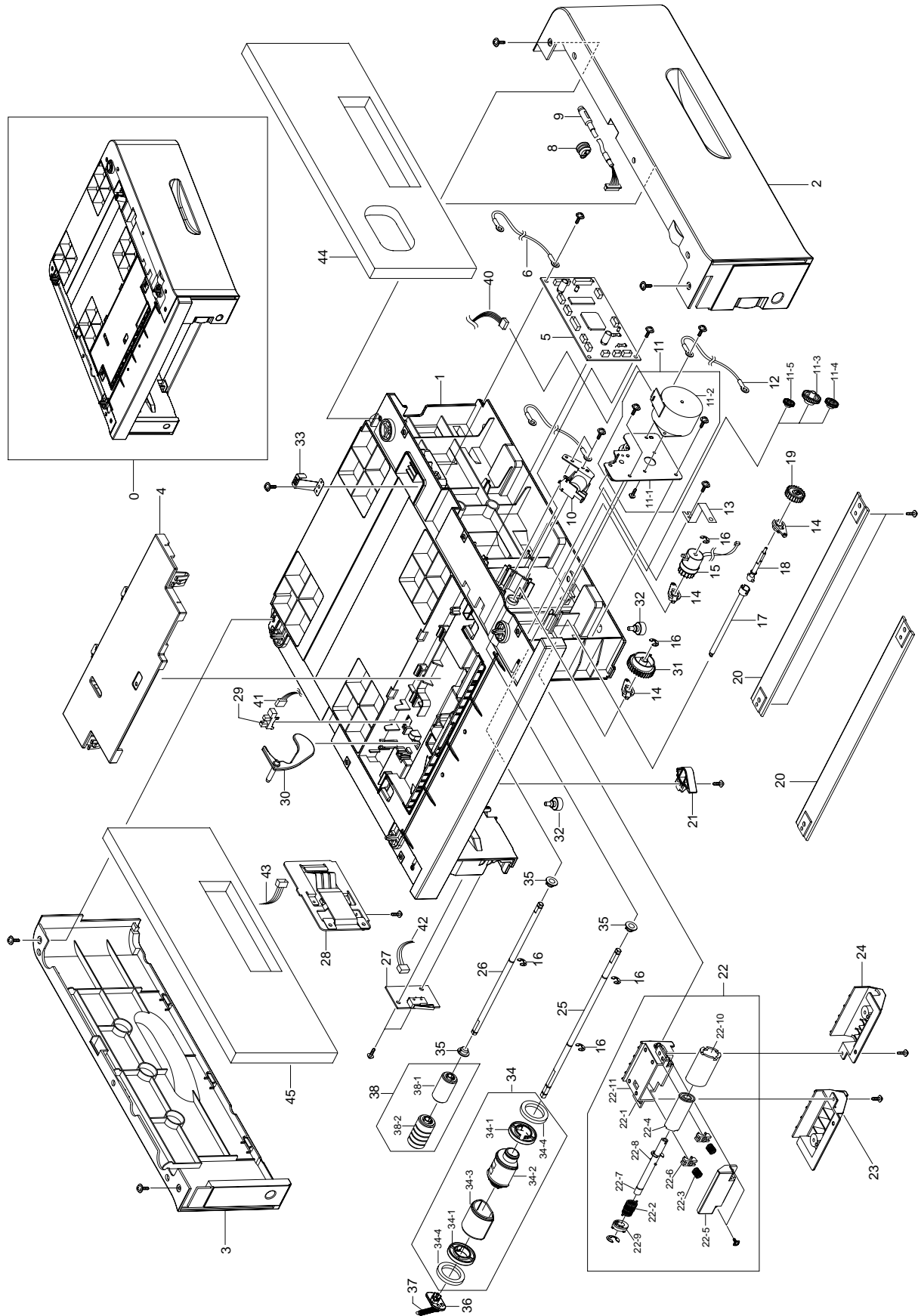
8.8 Duplex Sorenoid Assembly



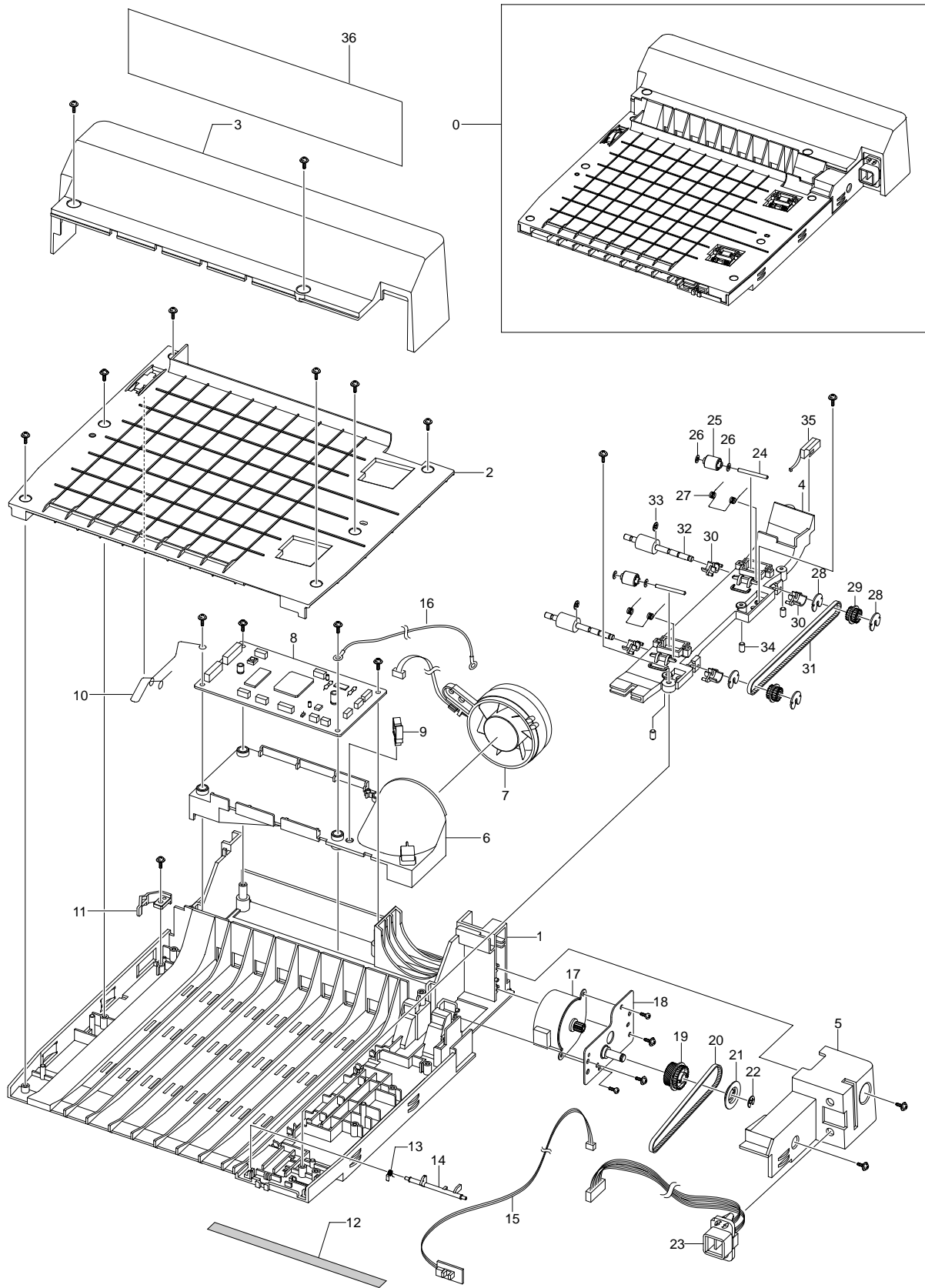
8.9 Cassette Assembly



8.10 SCF Unit



8.11 Duplex Unit



Basic Parts List (ML-3560, ML-3561N)

(Update: 10.June 2005)

Service BOM(SA : Service Available, SNA : Service not Available)

| Drawer# (Section-No) | Part Code | Description | Q'ty | Status (SA/SNA) | Remark |
|--------------------------|-------------|--|------|--------------------|---------|
| 8.1 Main Assembly | | | | | |
| 8.1-1 | JC96-03416A | ELA UNIT-FRAME BASE,110V | 1 | SA | AC 110V |
| 8.1-1 | JC96-03416B | ELA UNIT-FRAME BASE,220V | 1 | SA | AC 220V |
| 8.1-2 | JC96-03402B | ELA HOU BASE-HOUSHING | 1 | SNA | |
| 8.1-3 | JC97-02230B | MEA UNIT-KNOCK UP MP | 1 | SA | |
| 8.1-3-1 | JC61-01251B | PLATE-M-KNOCK UP MP | 1 | SNA | |
| 8.1-3-2 | JC74-00011A | MPR-PAD KNOCK UP MP | 1 | SNA | |
| 8.1-3-3 | JC72-01006B | PMO-SIDE GUIDE MP(R) | 1 | SA | |
| 8.1-3-4 | JC72-01005B | PMO-SIDE GUIDE MP(L) | 1 | SA | |
| 8.1-3-5 | JG66-40003A | GEAR-PINION | 1 | SA | |
| 8.1-3-6 | JC66-00895A | SHAFT-REINFORCEMENT | 1 | SNA | |
| 8.1-4 | JC97-02231A | MEA UNIT-COVER MP | 1 | SA | |
| 8.1-4-1 | JC63-00695A | COVER-M-MP_XRX | 1 | SNA | |
| 8.1-4-2 | JC63-00691B | TRAY-M_EXTEND MP | 1 | SNA | |
| 8.1-5 | JC63-00694B | TRAY-M-LINK MP(L) | 1 | SA | |
| 8.1-6 | JC63-00689B | TRAY-M-LINK MP(R) | 1 | SA | |
| 8.1-7 | JC66-00540A | ROLLER-TRANSFER | 1 | SA | |
| 8.1-8 | JC96-01729A | ELA UNIT-HOLDER TR R | 1 | SA | |
| 8.1-8-1 | JC72-41142A | PMO-BUSHING TR | 1 | SNA | |
| 8.1-8-2 | JC61-00046A | SPRING ETC-TR R HAWK | 1 | SNA | |
| 8.1-8-3 | JC72-41145C | PMO-TRANSFER HOLDER R | 1 | SNA | |
| 8.1-8-4 | JC70-11053A | IPR-PLATE TR | 1 | SNA | |
| 8.1-9 | JC96-01730A | ELA UNIT-HOLDER TR L | 1 | SA | |
| 8.1-9-1 | JC72-41142A | PMO-BUSHING TR | 1 | SNA | |
| 8.1-9-2 | JC61-00047A | SPRING ETC-TR L | 1 | SA | |
| 8.1-9-3 | JC72-41145D | PMO-TRANSFER HOLDER L | 1 | SNA | |
| 8.1-10 | JC72-41292B | PMO-CAP TR | 1 | SA | |
| 8.1-11 | JC66-00039A | GEAR-TR29 | 1 | SA | |
| 8.1-12 | JC96-03665A | ELA UNIT-REGI | 1 | SA | |
| 8.1-13 | JC66-00420A | GEAR-REGI Z25 | 1 | SA | |
| 8.1-14 | JC67-00039A | CAP-M-GEAR | 1 | SA | |
| 8.1-15 | JC59-00024A | UNIT-LSU | 1 | SNA | |
| 8.1-16 | JC96-03426A | ELA UNIT-EXIT SOL | 1 | SA | |
| 8.1-17 | JC96-03408A | ELA UNIT-DEVE MOTOR | 1 | SA | |
| 8.1-18 | JC96-03409A | ELA UNIT-MAIN MOTOR | 1 | SA | |
| 8.1-19 | JC92-01657C | PBA MAIN-MAIN;ML-3560,SEC,USA,KESTREL,35 | 1 | SA | |
| 8.1-20 | JC97-02226A | MEA UNIT-GEAR PICK UP | 1 | SA | |
| 8.1-20-1 | JC66-00870A | GEAR-M-PICK UP CAM | 1 | SNA | |
| 8.1-20-2 | JC66-00876A | GEAR-M-PICK UP | 1 | SNA | |
| 8.1-20-3 | JC61-00003A | SPRING ETC--CAM MP | 1 | SA | |
| 8.1-21 | JC97-01738A | MEA UNIT-GEAR P/UP MP CARDINA | 1 | SA | |
| 8.1-21-1 | JC66-00424A | GEAR-MP HOLDER_CAM | 1 | SA | |
| 8.1-21-2 | JC66-00423A | GEAR-MP PICK_UP | 1 | SA | |
| 8.1-21-3 | JC61-00003A | SPRING ETC--CAM MP | 1 | SA | |
| 8.1-22 | JC66-10202A | BEARING-PICK UP | 1 | SA | |
| 8.1-23 | JC61-00755A | BRACKET-P-SHAFT MP | 1 | SA | |
| 8.1-24 | JC47-00012A | MEP-CLUTCH FEED | 1 | SA | |
| 8.1-25 | JC33-00012A | SOLENOID-MAIN | 1 | SA | |
| 8.1-26 | JC33-00016A | SOLENOID-MP | 1 | SA | |
| 8.1-27 | 6044-000125 | RING-E | 1 | SA | |
| 8.1-28 | JC63-00692A | SHIELD-P-SMPS | 1 | SNA | |
| 8.1-29 | JC44-00082A | SMPS-(V1)+HVPS | 1 | SA | AC 110 |
| 8.1-29 | JC44-00083A | SMPS-(V2)+HVPS | 1 | SA | AC 220 |
| 8.1-30 | JC71-00042A | BAR-P CROSS BOTTOM | 2 | SA | |

Service BOM(SA : Service Available, SNA : Service not Available)

| Drawer# (Section-No) | Part Code | Description | Q'ty | Status (SA/SNA) | Remark |
|---------------------------|-------------|--------------------------|------|--------------------|----------|
| 8.1-31 | JC31-00029A | FAN-DC | 1 | SA | |
| 8.1-32 | JC61-00667A | STOPPER-M-FAN80 | 2 | SA | |
| 8.1-34 | JC96-03398A | ELA UNIT-DEVE;6K, ,,- | 1 | SNA | |
| 8.1-35 | JC96-03418B | ELA UNIT-CASSETTE | 1 | SA | |
| 8.1-36 | JC96-03423B | ELA UNIT-SCF | 1 | SNA | |
| 8.1-37 | JC96-03412B | ELA UNIT-DUPLEX | 1 | SA | |
| 8.1-38 | JC61-00679A | BRACKET-P_DUMMY CTRL | 1 | SA | |
| 8.1-39 | JC96-03514A | ELA HOU-NPC3_HIGH | 1 | SA | ML-3561N |
| 8.1-39-1 | JC92-01672A | PBA SUB-NPC3_HIGH | 1 | SA | ML-3561N |
| 8.1-39-2 | JC61-00809A | BRACKET- M NPC | 1 | SNA | ML-3561N |
| 8.1-40 | JC61-00837A | STOPPER-M-NETWORK | 1 | SNA | |
| 8.2 Cover Assembly | | | | | |
| 8.2-0 | JC96-03402B | ELA HOU BASE-HOUSHING | 1 | SNA | |
| 8.2-1 | JC96-03411B | ELA UNIT-COVER TOP | 1 | SA | |
| 8.2-1-1 | JC63-00699B | COVER-M_TOP | 1 | SA | |
| 8.2-1-2 | JC63-00704A | COVER-M-OPEN | 1 | SA | |
| 8.2-1-3 | JC72-01367B | PMO-STACKER | 1 | SA | |
| 8.2-1-4 | JC66-00902B | LEVER-M-STACKING 38 | 2 | SA | |
| 8.2-1-5 | JC61-00656A | STOPPER-M-HINGE OPEN | 2 | SA | |
| 8.2-1-6 | JC63-00705A | COVER-M-OP PANEL | 1 | SA | |
| 8.2-1-8 | JC75-00095A | MEC-BRUSH ANTISTATIC | 1 | SNA | |
| 8.2-1-9 | JC92-01473C | PBA MAIN-LCD PANEL | 1 | SA | |
| 8.2-1-10 | JC64-00195A | KEY-M-BUTTON | 1 | SA | |
| 8.2-1-11 | JC64-00196A | KEY-M-ON LINE | 1 | SA | |
| 8.2-1-12 | JC64-00197A | KEY-M-SAVE MODE | 1 | SA | |
| 8.2-1-13 | JC64-00194A | WINDOW-M-LCD | 1 | SA | |
| 8.2-1-14 | JC63-00836A | GROUND-P-TOP_COVER | 1 | SA | |
| 8.2-2 | JC63-00684B | COVER-M-LEFT | 1 | SA | |
| 8.2-3 | JC63-00701B | COVER-M-RIGHT | 1 | SA | |
| 8.2-4 | JC63-00702B | COVER-M-CONTROL BOX | 1 | SA | |
| 8.2-5 | JC63-00685B | COVER-M-FRONT INNER | 1 | SA | |
| 8.2-6 | JC97-02232B | MEA UNIT-COVER REAR | 1 | SA | |
| 8.2-6-1 | JC63-00703B | COVER-M-REAR | 1 | SNA | |
| 8.2-6-2 | JC72-01357A | PMO-STACKER REAR | 1 | SNA | |
| 8.2-6-3 | JC70-00007A | ICT-BRKT REAR COVER | 1 | SNA | |
| 8.2-6-4 | JC61-01217A | GUIDE-M_EXIT | 1 | SNA | |
| 8.2-6-5 | JC72-01359A | PMO-STRIFE | 1 | SNA | |
| 8.2-6-6 | JC70-20901A | IEX-SHAFT IDLE,F/UP | 2 | SA | |
| 8.2-6-7 | JC72-20902A | PEX-ROLLER F/UP(2) | 2 | SA | |
| 8.2-6-8 | JC61-70909A | SPRING ETC-SAPERATION | 2 | SA | |
| 8.2-6-9 | JC68-01526A | LABEL(P)-JAM REMOVAL | 1 | SNA | |
| 8.2-7 | JC63-00696B | COVER-M-FRAME EXIT | 1 | SA | |
| 8.2-8 | JC63-00697B | COVER-M-DUMMY DUP | 1 | SA | |
| 8.3 Frame Assembly | | | | | |
| 8.3-0 | JC96-03416A | ELA UNIT-FRAME BASE,110V | 1 | SA | |
| 8.3-0 | JC96-03416B | ELA UNIT-FRAME BASE,220V | 1 | SA | |
| 8.3-1 | JC61-01206A | FRAME-M_BASE | 1 | SNA | |
| 8.3-2 | JC97-02228A | MEA UNIT-PICK UP MP | 1 | SA | |
| 8.3-2-1 | JC66-00894A | SHAFT-M-PICK UP MP | 1 | SNA | |
| 8.3-2-2 | JC72-01003A | PMO-IDLE PICK UP MP | 1 | SA | |
| 8.3-2-4 | JC96-02686B | ELA UNIT-ROLLER P/UP MP | 1 | SA | |
| 8.3-2-4-1 | JC61-00705A | HOLDER-M-PICKUP MP | 1 | SA | |
| 8.3-2-4-2 | JC61-00685A | HOUSING-M-PICK UP MP | 1 | SA | |
| 8.3-2-4-3 | JC73-00224A | RUBBER-PICK UP MP | 1 | SA | |
| 8.3-2-5 | JC66-00893A | CAM-M-SHAFT | 1 | SNA | |
| 8.3-3 | JC97-02238A | MEA UNIT-GEAR IDLE | 1 | SA | |
| 8.3-3-1 | JC61-01200A | BRACKET-P-GEAR IDLE | 1 | SNA | |
| 8.3-3-2 | JC66-00872A | GEAR-FUSER IDLE 3 | 1 | SNA | |

Service BOM(SA : Service Available, SNA : Service not Available)

| Drawer# (Section-No) | Part Code | Description | Q'ty | Status (SA/SNA) | Remark |
|-------------------------|-------------|---------------------------|------|--------------------|--------|
| 8.3-3-3 | JC66-00859A | GEAR-M-FUSER IDLE 2 | 1 | SNA | |
| 8.3-3-4 | JC66-00858A | GEAR-M-FUSER DRV IN | 1 | SNA | |
| 8.3-3-5 | JC66-00868A | CLUTCH-M-HUB | 1 | SNA | |
| 8.3-3-6 | JC66-00417B | GEAR-RDCN FUSER OUT | 1 | SA | |
| 8.3-3-7 | 6044-000231 | RING-E | 3 | SA | |
| 8.3-4 | JC96-03516A | ELA HOU BASE-HOLDER | 1 | SA | |
| 8.3-4-1 | JC61-01248A | FRAME-M-HOLDER PAD | 1 | SNA | |
| 8.3-4-2 | JC61-00684A | HOLDER-M-PAD | 1 | SA | |
| 8.3-4-3 | JC73-00132A | RPR-FRICTION PAD MP | 1 | SA | |
| 8.3-4-4 | JC61-00387A | SPRING ETC-PAD | 1 | SA | |
| 8.3-4-5 | JC72-01365A | PMO-ACTUATOR EMPTY MP | 1 | SA | |
| 8.3-4-6 | JC61-70965A | SPRING ETC-EMPTY | 1 | SA | |
| 8.3-4-7 | 0604-001095 | PHOTO-INTERRUPTER | 1 | SA | |
| 8.3-4-8 | JC39-00451A | CBF HARNESS-MP_EMPTY | 1 | SA | |
| 8.3-5 | JC97-01034A | MEA RACK-EXIT ROLLER | 4 | SA | |
| 8.3-5-1 | JC72-41006A | PMO-HOLDER EXIT ROLL | 1 | SA | |
| 8.3-5-2 | JC72-41007A | PMO-ROLLER FD F | 1 | SA | |
| 8.3-5-3 | JC72-41008A | PMO-ROLLER FD R | 1 | SA | |
| 8.3-5-4 | JC61-70911A | SPRING ETC-EXIT ROLL FD | 1 | SA | |
| 8.3-6 | JC66-00883A | ROLLER-EXIT_F/DOWN | 1 | SNA | |
| 8.3-7 | JC61-00673A | HOLDER-M-BUSHING EXIT | 2 | SA | |
| 8.3-8 | JC72-01310A | PMO-ACTUATOR OUTFULL | 1 | SA | |
| 8.3-9 | JC66-00674A | GEAR-M-EXIT Z17 | 1 | SA | |
| 8.3-10 | JC61-00673A | HOLDER-M-BUSHING EXIT | 2 | SA | |
| 8.3-11 | JC97-02299A | MEA UNIT-ROLL EXIT DU | 1 | SA | |
| 8.3-11-1 | JC66-00882A | SHAFT-M-EXIT_DUPLEX | 1 | SNA | |
| 8.3-11-2 | JC73-00210A | RUBBER-EXIT DUP | 2 | SA | |
| 8.3-12 | JC61-01262A | BUSH-M_EXIT D7 | 2 | SNA | |
| 8.3-13 | JC66-00854A | GEAR-M-EXIT DUP Z21 | 1 | SNA | |
| 8.3-14 | JC96-02127A | ELA HOU-CST SENSOR HAWK16 | 1 | SA | |
| 8.3-14-1 | JC92-01336A | PBA SUB-CASSETTE | 1 | SNA | |
| 8.3-14-2 | JC70-00192A | IPR-PLATE SENSOR | 1 | SA | |
| 8.3-14-3 | JC70-00195A | IPR-BRACKET SENSOR | 1 | SA | |
| 8.3-15 | JC39-00261A | CBF HARNESS-SENSOR | 1 | SA | |
| 8.3-16 | JC61-00675A | GUIDE-P_REGI UPPER | 1 | SA | |
| 8.3-17 | JC61-70918A | SPRING ETC-LEVER | 2 | SA | |
| 8.3-18 | JC61-00671A | HOLDER-M-BUSHING TX | 2 | SA | |
| 8.3-19 | JC61-00691A | GUIDE-PLATE PAPER | 1 | SA | |
| 8.3-20 | JC70-00339A | IPR-P_GROUND PLATE PAPER | 1 | SA | |
| 8.3-21 | 0604-001095 | PHOTO-INTERRUPTER | 1 | SA | |
| 8.3-23 | JC39-00458A | CBF HARNESS-THERM | 1 | SA | |
| 8.3-24 | JC61-01581A | HOUSING-M_TERMINAL | 1 | SNA | |
| 8.3-25 | JC65-00013A | TERMINAL-P-FUSER | 2 | SA | |
| 8.3-26 | JC39-00456A | CBF HARNESS-FUSER | 1 | SA | |
| 8.3-27 | JC67-00099A | CAP-M-HOUS_TERM | 1 | SNA | |
| 8.3-28 | JC63-00670A | SHIELD-P-CTRL | 1 | SNA | |
| 8.3-29 | JC63-00677A | GROUND-P-MOTOR_DEVE | 1 | SNA | |
| 8.3-30 | JC63-00669A | GROUND-P_GUIDE TR | 1 | SNA | |
| 8.3-31 | JC63-00672A | GROUND-P-REGI_ROLLER | 1 | SNA | |
| 8.3-32 | JC63-00678A | GROUND-P-PICK_UP_MP | 1 | SNA | |
| 8.3-33 | JC63-00673A | GROUND-P-SCF_MAIN | 1 | SNA | |
| 8.3-34 | JC63-00671A | GROUND-P-MOTOR_MAIN | 1 | SNA | |
| 8.3-35 | JC63-00680A | GROUND-P-GUIDE_DUP | 1 | SNA | |
| 8.3-36 | JC67-00093A | CAP-M-GUIDE_HARNESS | 1 | SNA | |
| 8.3-37 | JC72-01356A | PMO-DUMMY_DEVE | 1 | SA | |
| 8.3-38 | JC96-01772A | ELA HOU-VARISTOR | 1 | SNA | |
| 8.3-39 | JC61-40001A | FOOT-ML80 | 2 | SA | |
| 8.3-40 | JC72-01355A | PMO-REMOVE_LOCK CST | 1 | SA | |
| 8.3-41 | JC66-00890A | SHAFT-M-GEAR_RETARD | 1 | SNA | |

Service BOM(SA : Service Available, SNA : Service not Available)

| Drawer# (Section-No) | Part Code | Description | Q'ty | Status (SA/SNA) | Remark |
|-------------------------|-------------|-------------------------|------|--------------------|--------|
| 8.3-42 | JC66-00439A | SHAFT-M-COUPLING RETARD | 1 | SA | |
| 8.3-43 | JC72-41191B | PMO-BEARING SHAFT | 1 | SA | |
| 8.3-44 | JC66-00420A | GEAR-REGI Z25 | 1 | SA | |
| 8.3-45 | JC72-41191B | PMO-BEARING SHAFT | 1 | SA | |
| 8.3-47 | JC96-03661A | ELA HOU-FRAME LSU LO | 1 | SA | |
| 8.3-47-1 | JC61-01207A | FRAME-M-LSU_LOWER | 1 | SNA | |
| 8.3-47-2 | JC92-01705A | PBA SUB-TONER SENSOR | 1 | SA | |
| 8.3-47-3 | JC65-00004A | TERMINAL-P_DEVE | 4 | SA | |
| 8.3-47-4 | JC92-01730A | PBA SUB-COVER OEPN | 1 | SA | |
| 8.3-47-5 | JC67-00095A | CAP-M COVER OPEN | 1 | SNA | |
| 8.3-48 | JC96-03425A | ELA UNIT-FEED3X5 | 1 | SA | |
| 8.3-48-1 | JC61-01240A | HOLDER-M-SAW | 1 | SNA | |
| 8.3-48-2 | JC61-01235A | GUIDE-P-TRANSFER_FRONT | 1 | SNA | |
| 8.3-48-3 | JC61-01236A | PLATE-P-SAW | 1 | SNA | |
| 8.3-48-4 | JC66-00889A | SHAFT-M ROLLER_BELT | 1 | SNA | |
| 8.3-48-5 | JC66-00887A | ROLLER-M IDLE_BELT | 2 | SNA | |
| 8.3-48-6 | JC70-20901A | IEX-SHAFT IDLE,F/UP | 2 | SA | |
| 8.3-48-7 | JC73-00206A | RUBBER-BELT FEED | 2 | SA | |
| 8.3-48-8 | JC61-01239A | GUIDE-M SHAFT_BELT | 1 | SNA | |
| 8.3-49 | JC96-03419A | ELA UNIT-RETARD | 1 | SA | |
| 8.3-49-1 | JC61-01231A | FRAME-M-RETARD | 1 | SNA | |
| 8.3-49-10 | JC70-00520A | HUB-IN RETARD | 1 | SNA | |
| 8.3-49-11 | JC73-00207A | RUBBER-RETARD | 1 | SA | |
| 8.3-49-2 | JC61-01232A | HOLDER-M-RETARD | 1 | SNA | |
| 8.3-49-3 | JC61-00013A | SPRING ETC-PAD | 2 | SNA | |
| 8.3-49-5 | JC61-00635A | HOUSING-M-RETARD | 1 | SA | |
| 8.3-49-4 | JC61-00652A | BUSH-M-RETARD | 1 | SA | |
| 8.3-49-6 | JC66-00590A | SHAFT-RETARD | 1 | SA | |
| 8.3-49-7 | 6044-000125 | RING-E | 2 | SA | |
| 8.3-49-8 | JC72-00993A | PMO-HUB OUT RETARD | 1 | SA | |
| 8.3-49-9 | 6107-001157 | SPRING-TS | 1 | SA | |
| 8.3-50 | JC96-03421A | ELA UNIT-FEED2 IDLE | 2 | SA | |
| 8.3-50-1 | JC61-01242A | HOLDER-IDLE FEED2 | 1 | SNA | |
| 8.3-50-2 | JC67-00105A | CAP-M IDLE FEED2 | 2 | SNA | |
| 8.3-50-3 | JC61-00387A | SPRING ETC-PAD | 2 | SA | |
| 8.3-50-4 | JC61-00652A | BUSH-M-RETARD | 2 | SA | |
| 8.3-50-5 | JC66-00912A | SHAFT-IDLE_FEED2 | 1 | SA | |
| 8.3-50-6 | 6044-000125 | RING-E | 1 | SA | |
| 8.3-50-7 | JC66-00892A | ROLLER-M IDLE FEED2 | 1 | SNA | |
| 8.3-50-9 | JC66-00591A | SHAFT-HUB IN | 1 | SA | |
| 8.3-51 | JC61-01250A | STOPPER-M-KNOCK UP MP_L | 1 | SNA | |
| 8.3-52 | JC61-01249A | STOPPER-M-KNOCK UP MP_R | 1 | SA | |
| 8.3-53 | JC61-01252A | RAIL-M-LEFT_DUP | 1 | SNA | |
| 8.3-54 | JC61-01253A | RAIL-M-RIGHT_DUP | 1 | SNA | |
| 8.3-55 | JC72-41191B | PMO-BEARING SHAFT | 1 | SA | |
| 8.3-56 | JC66-00420A | GEAR-REGI Z25 | 1 | SA | |
| 8.3-57 | JC66-10202A | BEARING-PICK UP | 1 | SA | |
| 8.3-58 | JC72-00991A | PMO-ACTUATOR EMPTY | 1 | SA | |
| 8.3-59 | JC96-03422A | ELA UNIT-PICK UP | 1 | SA | |
| 8.3-59-1 | JC66-00910A | SHAFT-PICK UP | 1 | SA | |
| 8.3-59-2 | JC97-02233A | MEA UNIT-P/UP_HOUSING | 1 | SA | |
| 8.3-59-2-1 | JC72-01361A | PMO-M IDLE-PICK UP | 1 | SA | |
| 8.3-59-2-3 | JC61-01238A | HOUSING-M-PICK UP | 1 | SNA | |
| 8.3-59-3 | JC72-01362A | PMO- M CAM_PICK_UP | 1 | SNA | |
| 8.3-59-4 | JC66-00911A | SHAFT-FEED1 | 1 | SA | |
| 8.3-59-5 | JC81-03458A | AS-FEED1 ROLLASS'Y | 1 | SA | |
| 8.3-59-5-1 | JC61-01237A | HOUSING-M-FEED1 | 1 | SNA | |
| 8.3-59-5-2 | JC73-00208A | RUBBER-FEED1 | 1 | SA | |
| 8.3-59-6 | JC63-00674A | GROUND-P-PICK_UP_MAIN | 1 | SNA | |

Service BOM(SA : Service Available, SNA : Service not Available)

| Drawer# (Section-No) | Part Code | Description | Q'ty | Status (SA/SNA) | Remark |
|-------------------------|-------------|----------------------------|------|--------------------|---------|
| 8.3-59-7 | JC66-10202A | BEARING-PICK UP | 1 | SA | |
| 8.3-59-8 | JC72-00382B | PMO-BUSHING FEED | 2 | SA | |
| 8.3-59-9 | JC61-01234A | GUIDE-P-FRONT-DUP-PICKUP | 1 | SNA | |
| 8.3-59-10 | JC61-01233A | GUIDE-M SUPPORT-PICKUP | 1 | SNA | |
| 8.3-60 | JC96-03420A | ELA UNIT-FEED2 | 1 | SA | |
| 8.3-60-1 | JC61-01241A | FRAME-M-PICK UP | 1 | SNA | |
| 8.3-60-2 | JC72-00382B | PMO-BUSHING FEED | 2 | SA | |
| 8.3-60-3 | JC66-00891A | SHAFT-M-FEED2 | 1 | SNA | |
| 8.3-60-4 | JC66-10202A | BEARING-PICK UP | 1 | SA | |
| 8.3-60-5 | JC73-00205A | RUBBER-ROLLER_FEED2 | 3 | SA | |
| 8.3-61 | JC92-01704A | PBA SUB-JOINT | 1 | SA | |
| 8.3-62 | JC39-00441A | CBF HARNESS-TRAY OUT | 1 | SA | |
| 8.3-63 | JC67-00094A | CAP-M_POWER | 1 | SNA | |
| 8.3-64 | JC39-00455A | CBF HARNESS-INLET | 1 | SA | |
| 8.3-65 | JC66-00888A | SHAFT-M BELT_GEAR | 1 | SNA | |
| 8.3-66 | JC72-41191B | PMO-BEARING SHAFT | 1 | SA | |
| 8.3-67 | JC66-00674A | GEAR-M-EXIT Z17 | 1 | SA | |
| 8.3-68 | JC67-00092A | CAP-M-DEVE MOTOR | 1 | SNA | |
| 8.3-69 | JC39-00449A | CBF HARNESS-DUPLEX | 1 | SNA | |
| 8.3-71 | JC67-00036A | CAP-M-WIRE PTL LOWER | 1 | SA | |
| 8.3-72 | JC65-00001A | TERMINAL-P_PTL | 1 | SA | |
| 8.3-73 | JC39-00181A | CBF HARNESS-PTL | 1 | SA | |
| 8.3-74 | JC92-01681A | PBA SUB-COVER_OPEN | 1 | SA | |
| 8.3-76 | JC92-01512B | PBA SUB-EXIT SENSOR | 1 | SA | |
| 8.3-77 | JC92-01261C | PBA SUB-FUSER SW | 1 | SA | |
| 8.3-78 | JC61-01218A | GUIDE-M-FRONT | 1 | SA | |
| 8.3-79 | JC65-00010A | TERMINAL-P-GUIDE_FRONT | 1 | SNA | |
| 8.3-80 | JC96-03406A | ELA UNIT-FUSER-110V | 1 | SA | AC110V |
| 8.3-80 | JC96-03406B | ELA UNIT-FUSER-220V | 1 | SA | AC 220V |
| 8.3-81 | JC72-00317A | PMO-GUIDE DEVE L | 1 | SA | |
| 8.3-82 | JC72-00318A | PMO-GUIDE DEVE R | 1 | SA | |
| 8.3-83 | JC61-70932A | SPRING ETC-GUIDE DEVE | 2 | SA | |
| 8.3-84 | JC65-00008A | TERMINAL-P-TR KESTREL | 1 | SA | |
| 8.3-86 | JC65-00009A | TERMINAL-SPRING_TR | 1 | SA | |
| 8.3-87 | JC92-01488A | PBA MAIN-ZENER | 1 | SA | |
| 8.3-89 | JC63-00679A | GROUND-P-ZENER | 1 | SNA | |
| 8.3-90 | JC63-00676A | GROUND-P-FUSER | 1 | SNA | |
| 8.3-91 | JC65-00006A | TERMINAL-P_HV CARDINAL | 4 | SA | |
| 8.3-92 | JC97-01401A | MEA UNIT-TERMINAL | 4 | SA | |
| 8.3-93 | JC39-00457A | CBF HARNESS-HVPS | 1 | SA | |
| 8.3-94 | JC70-00332A | IPR-P_GROUND OPC | 1 | SA | |
| 8.3-95 | JC92-01511B | PBA SUB-EMPTY SENSOR | 1 | SA | |
| 8.3-96 | JC39-00440A | CBF HARNESS-SENSOR | 1 | SA | |
| 8.3-97 | JC92-01262C | PBA SUB-FEED SENSOR | 1 | SA | |
| 8.3-98 | JC67-00098A | CAP-M HV | 1 | SNA | |
| 8.3-99 | JC67-00097A | CAP-M_SENSOR_FEED | 1 | SNA | |
| 8.3-100 | JC67-00138A | DUCT-M_FAN | 1 | SA | |
| 8.4 Fuser Unit | | | | | |
| 8.4-0 | JC96-03406A | ELA UNIT-FUSER-110V | 1 | SA | AC110V |
| 8.4-0 | JC96-03406B | ELA UNIT-FUSER-220V | 1 | SA | AC 220V |
| 8.4-1 | JC96-03427A | ELA UNIT-FUSER_UPPER, 110V | 1 | SNA | |
| 8.4-1 | JC96-03427B | ELA UNIT-FUSER_UPPER, 220V | 1 | SNA | |
| 8.4-1-2 | JC71-00054A | ELECTRODE-P-FU_L | 1 | SNA | |
| 8.4-1-3 | 1404-001141 | THERMISTOR-NTC | 1 | SNA | |
| 8.4-1-4 | JC72-41012C | PMO-GUIDE CLAW GREEN | 4 | SA | |
| 8.4-1-5 | 6107-001159 | SPRING-TS | 2 | SA | |
| 8.4-1-6 | JC61-70909A | SPRING ETC-SAPERATION | 4 | SA | |
| 8.4-1-7 | JC75-00095A | MEC-BRUSH ANTISTATIC | 1 | SA | |

Service BOM(SA : Service Available, SNA : Service not Available)

| Drawer# (Section-No) | Part Code | Description | Q'ty | Status (SA/SNA) | Remark |
|--------------------------|-------------|------------------------|------|--------------------|--------|
| 8.4-1-8 | JC71-00053A | ELECTRODE-P-FU_R | 1 | SNA | |
| 8.4-1-9 | JC61-00785A | HOLDER-M-IDLE ROLLER | 3 | SA | |
| 8.4-1-10 | JC72-40981A | PMO-ROLLER UPPER DP | 3 | SA | |
| 8.4-1-11 | JC61-01215A | HOLDER-M-LEVER_L | 1 | SNA | |
| 8.4-1-12 | JC61-01216A | HOLDER-M-LEVER_R | 1 | SNA | |
| 8.4-1-13 | JC71-00052A | ELECTRODE-P-SUPPORT | 2 | SNA | |
| 8.4-1-15 | 6003-000196 | SCREW-TAPTITE | 2 | SA | |
| 8.4-1-16 | JC66-00932A | ROLLER-HEAT | 1 | SA | |
| 8.4-1-17 | 6601-001346 | BEARING-BALL | 2 | SA | |
| 8.4-1-18 | JC67-00101A | CAP-M-END | 1 | SNA | |
| 8.4-1-19 | JC61-01260A | BUSH-M HR | 2 | SNA | |
| 8.4-1-20 | JC66-00878A | GEAR-M-FUSER Z49 | 1 | SNA | |
| 8.4-1-21 | JC61-01550A | STOPPER-SPACER | 2 | SNA | |
| 8.4-1-22 | JC71-00051A | ELECTRODE-FU | 2 | SNA | |
| 8.4-1-23 | JC61-70932A | SPRING ETC-GUIDE DEVE | 2 | SA | |
| 8.4-1-24 | JC67-00111A | CAP-M ACTUATOR UP | 1 | SNA | |
| 8.4-1-25 | JC63-00726A | COVER-M-REAR GUIDE UP | 1 | SNA | |
| 8.4-1-26 | JC71-00055A | ELECTRODE-P-SU CARBON | 1 | SNA | |
| 8.4-1-27 | JC70-20901A | IEX-SHAFT IDLE,F/UP | 2 | SA | |
| 8.4-1-28 | JC61-01284A | HOLDER-P-SL CONNECTOR | 1 | SNA | |
| 8.4-1-29 | JC72-20902A | PEX-ROLLER F/UP(2) | 2 | SA | |
| 8.4-1-H | JC96-03722A | ELA UNIT-HEAT 110V | 1 | SA | |
| 8.4-1-H | JC96-03723A | ELA UNIT-HEAT 220V | 1 | SA | |
| 8.4-2 | JC97-02236A | MEA UNIT-FUSER_BK_G | 1 | SNA | |
| 8.4-2 | JC63-00681A | COVER-M-FUSER UPPER | 1 | SNA | |
| 8.4-2-1 | JC61-01213A | BRACKET-P-FUSER | 1 | SNA | |
| 8.4-2-2 | JC66-00426B | GEAR-IDLE 23 | 1 | SA | |
| 8.4-2-3 | JC66-00869A | GEAR-M-IDLE 25 | 1 | SNA | |
| 8.4-2-4 | 6044-000231 | RING-E | 1 | SA | |
| 8.4-3 | JC97-02223A | MEA UNIT-FUSER_LOWER | 1 | SNA | |
| 8.4-3-1 | JC66-00931A | ROLLER-PRESSURE | 1 | SA | |
| 8.4-3-2 | JC61-01261A | BUSH-M-PR | 2 | SNA | |
| 8.4-3-3 | 6107-001253 | SPRING-CS | 2 | SNA | |
| 8.4-3-4 | JC63-00725A | COVER-M-FU_LOWER_OPEN | 1 | SNA | |
| 8.4-3-5 | JC66-00880A | LEVER-P-RELEASE_L | 1 | SNA | |
| 8.4-3-6 | 6107-001172 | SPRING-CS | 2 | SA | |
| 8.4-3-7 | JC67-00102A | CAP-M-FUSER LOCK | 1 | SNA | |
| 8.4-3-8 | JC66-00881A | LEVER-P-RELEASE_R | 1 | SNA | |
| 8.4-3-9 | JC61-01214A | HOLDER-M-PR SHAFT | 1 | SNA | |
| 8.4-3-10 | JC63-00683A | GROUND-P-HR | 1 | SNA | |
| 8.4-3-11 | JC61-70903A | SPRING ETC-ACTUATOR | 1 | SA | |
| 8.4-3-12 | JC72-01358A | PMO-ACTUATOR EXIT | 1 | SNA | |
| 8.4-3-13 | JC67-00103A | CAP-M-ACTUATOR | 1 | SNA | |
| 8.4-3-14 | 6006-001078 | SCREW-TAPTITE | 2 | SNA | |
| 8.4-4 | JC97-02235A | MEA UNIT-FUSER_GU_R | 1 | SNA | |
| 8.4-4-1 | JC61-01226A | GUIDE-M-REAR | 1 | SNA | |
| 8.4-4-2 | JC72-00382A | PMO-BUSHING TX | 3 | SNA | |
| 8.4-4-3 | JC66-00879A | SHAFT-M-EXIT_F_UP | 1 | SNA | |
| 8.4-4-4 | JC66-00854A | GEAR-M-EXIT DUP Z21 | 1 | SNA | |
| 8.4-4-5 | JC73-00209A | RUBBER-EXIT F UP | 2 | SNA | |
| 8.4-4-6 | JC61-01549A | HOLDER-M REAR_LEVER | 1 | SNA | |
| 8.5 REGI Assembly | | | | | |
| 8.5-0 | JC96-03665A | ELA UNIT-REGI | 1 | SA | |
| 8.5-1 | JC61-00674A | GUIDE-P_REGI LOWER | 1 | SA | |
| 8.5-2 | JC66-00450A | ROLLER-REGI LOWER L | 1 | SNA | |
| 8.5-3 | JC66-00446A | SHAFT-REGI UPPER | 1 | SA | |
| 8.5-4 | JC66-00647A | ROLLER-M_REGI IDLE L25 | 2 | SA | |
| 8.5-5 | JC66-00648A | ROLLER-M_REGI IDLE S25 | 2 | SA | |

Service BOM(SA : Service Available, SNA : Service not Available)

| Drawer# (Section-No) | Part Code | Description | Q'ty | Status (SA/SNA) | Remark |
|------------------------------------|-------------|--------------------------|------|--------------------|--------|
| 8.5-6 | 6044-000231 | RING-E | 4 | SA | |
| 8.5-7 | 6107-001158 | SPRING-TS | 1 | SA | |
| 8.5-8 | JC72-00998A | PMO-ACTUATOR REGISHUTTER | 1 | SA | |
| 8.5-9 | JC61-00670A | GUIDE-P REGI PLATE | 1 | SA | |
| 8.5-10 | JC75-00095A | MEC-BRUSH ANTISTATIC | 1 | SA | |
| 8.5-11 | JC61-00669A | BUSH-M-ROLLER REGI L | 2 | SA | |
| 8.5-12 | JC66-00420A | GEAR-REGI Z25 | 1 | SA | |
| 8.5-13 | JC61-00669A | BUSH-M-ROLLER REGI U | 2 | SA | |
| 8.5-14 | 6107-001155 | SPRING-ES | 2 | SA | |
| 8.5-15 | JC61-01550A | STOPPER-SPACER | 3 | SNA | |
| 8.6 Main Motor Assembly | | | | | |
| 8.6-0 | JC96-03409A | ELA UNIT-MAIN MOTOR | 1 | SA | |
| 8.6-1 | JC61-01204A | BRACKET-P-MAIN | 1 | SNA | |
| 8.6-2 | JC31-00040A | MOTOR DC-BLDC MAIN | 1 | SA | |
| 8.6-3 | 6031-001255 | WASHER-PLAIN | 5 | SA | |
| 8.6-4 | JC66-00867A | GEAR-M-OPC DRV | 1 | SNA | |
| 8.6-5 | JC66-00864A | GEAR-M-REGI DRV | 1 | SNA | |
| 8.6-6 | JC66-00860A | GEAR-M-RDCN FUSER | 1 | SNA | |
| 8.6-7 | JC66-00875A | GEAR-M-FUSER IDLE 1 | 1 | SNA | |
| 8.6-8 | JC66-00865A | GEAR-M-RDCN REGI | 1 | SNA | |
| 8.6-9 | JC66-00866A | GEAR-M-RDCN PICK UP | 1 | SNA | |
| 8.6-10 | JC66-00861A | GEAR-M-MP DRV | 1 | SNA | |
| 8.6-11 | JC66-00862A | GEAR-M-FEED DRV | 1 | SNA | |
| 8.6-12 | JC66-00873A | GEAR-M-RDCN MP | 1 | SNA | |
| 8.6-13 | JC66-00874A | GEAR-M-RDCN RETARD | 1 | SNA | |
| 8.6-14 | JC66-00863A | GEAR-M-PICK UP DRV | 1 | SNA | |
| 8.6-15 | 6044-000125 | RING-E | 1 | SA | |
| 8.7 Deve Motor Assembly | | | | | |
| 8.7-0 | JC96-03408A | ELA UNIT-DEVE MOTOR | 1 | SA | |
| 8.7-1 | JC31-00039A | MOTOR DC-BLDC DEVE | 1 | SA | |
| 8.7-2 | JC61-01201A | BRACKET-P-DEVE | 1 | SNA | |
| 8.7-3 | JC61-01203A | BRACKET-P-SWING | 1 | SNA | |
| 8.7-4 | JC66-00915A | SHAFT-SWING DEVE | 1 | SNA | |
| 8.7-5 | JC66-00871A | GEAR-M-RDCN DEVE | 1 | SNA | |
| 8.7-6 | JC66-00857A | GEAR-M-SWING | 1 | SNA | |
| 8.7-7 | 6031-001255 | WASHER-PLAIN | 2 | SA | |
| 8.8 Exit Sorenoind Assembly | | | | | |
| 8.8-0 | JC96-03426A | ELA UNIT-EXIT SOL | 1 | SA | |
| 8.8-1 | JC61-01205A | BRACKET-P-EXIT | 1 | SNA | |
| 8.8-2 | JC66-00869A | GEAR-M-IDLE 25 | 1 | SNA | |
| 8.8-3 | JC66-00869A | GEAR-M-IDLE 25 | 1 | SNA | |
| 8.8-4 | JC66-40911A | GEAR-DP,IDLE | 1 | SA | |
| 8.8-5 | JC66-00100A | GEAR-6 | 1 | SNA | |
| 8.8-6 | 6031-001255 | WASHER-PLAIN | 4 | SA | |
| 8.8-7 | JC66-00100A | GEAR-6 | 1 | SNA | |
| 8.8-8 | JC33-00008A | SOLENOID-DUPLEX | 1 | SA | |
| 8.8-9 | JC61-01202A | BRACKET-P-LINK SWING | 1 | SNA | |
| 8.8-10 | JC66-00855A | GEAR-M-SWING DUPLEX | 1 | SNA | |
| 8.8-11 | JC66-00856A | GEAR-M-RDCN EXIT | 1 | SNA | |
| 8.8-12 | JC66-00916A | SHAFT-SWING DUPLEX | 1 | SNA | |
| 8.9 Cassette Assembly | | | | | |
| 8.9-0 | JC96-03418B | ELA UNIT-CASSETTE | 1 | SA | |
| 8.9-1 | JC61-01220B | FRAME-M CASSETTE | 1 | SNA | |
| 8.9-2 | JC61-01221B | GUIDE-M-HANDLE | 1 | SNA | |
| 8.9-3 | JC64-00189B | INDICATOR-M-EMPTY | 1 | SNA | |
| 8.9-4 | JC61-01245A | PLATE-P-KNOCK UP | 1 | SNA | |
| 8.9-5 | JC61-00455A | SPRING ETC-PLATE K/UP | 2 | SA | |

Service BOM(SA : Service Available, SNA : Service not Available)

| Drawer# (Section-No) | Part Code | Description | Q'ty | Status (SA/SNA) | Remark |
|-------------------------|-------------|----------------------------|------|--------------------|--------|
| 8.9-6 | JG66-40003A | GEAR-PINION | 1 | SA | |
| 8.9-7 | JC67-00037A | CAP-M-GUIDE SIDE,L | 1 | SA | |
| 8.9-8 | JC61-01222A | GUIDE-P-SIDE_L | 1 | SNA | |
| 8.9-9 | JC61-01225B | GUIDE-M SIDE LOCK | 1 | SNA | |
| 8.9-10 | JC61-01244A | GUIDE-P-SIDE_R | 1 | SNA | |
| 8.9-11 | JC61-01226B | GUIDE-M-REAR | 1 | SNA | |
| 8.9-12 | JC61-00751A | GUIDE-P-REAR PAPER CST | 1 | SA | |
| 8.9-13 | JC61-00414A | SPRING ETC-GUIDE PAPER | 1 | SA | |
| 8.9-14 | JC61-00267B | GUIDE-M_LOCK A | 1 | SA | |
| 8.9-15 | JC61-01226B | GUIDE-M-REAR | 1 | SNA | |
| 8.9-16 | JC61-01224B | GUIDE-M EXTENTION CST | 1 | SNA | |
| 8.9-17 | JC61-01223A | BRACKET-P-EXTENTION | 1 | SNA | |
| 8.9-18 | JC61-01230B | GUIDE-M-PAPER | 1 | SNA | |
| 8.9-19 | JC61-01228A | HOLDER-M-PAD_HOUSING | 1 | SNA | |
| 8.9-20 | JC97-02234A | MEA UNIT-HOLDER PAD | 1 | SA | |
| 8.9-20-1 | JC61-01229A | HOLDER-M-PAD | 1 | SNA | |
| 8.9-20-2 | JC63-00407A | SHEET-HOLDER PAD R2 | 1 | SNA | |
| 8.9-20-3 | JC73-00140A | RPR-FRICTION PAD | 1 | SA | |
| 8.9-20-4 | JC70-00314A | IPR-PLATE PAD | 1 | SA | |
| 8.9-21 | JC61-70911A | SPRING ETC-EXIT ROLL FD | 1 | SA | |
| 8.9-25 | JC72-41210A | PMO-LOCKER PLATE | 1 | SA | |
| 8.9-26 | JG61-70531A | SPRING ETC-LOCKER,PLATE | 1 | SA | |
| 8.9-27 | JC61-01227A | GUIDE-M-PAPER SIZE | 1 | SNA | |
| 8.10 SCF Unit | | | | | |
| 8.10-0 | JC96-03423B | ELA UNIT-SCF | 1 | SNA | |
| 8.10-1 | JC61-01247B | FRAME-M-SCF | 1 | SNA | |
| 8.10-2 | JC63-00688B | COVER-M-RIGHT_SCF | 1 | SNA | |
| 8.10-3 | JC63-00687B | COVER-M-LEFT_SCF | 1 | SNA | |
| 8.10-4 | JC63-00686A | COVER-M-DUMMY_SCF | 1 | SNA | |
| 8.10-5 | JC92-01703A | PBA SCF | 1 | SA | |
| 8.10-6 | JB39-40532A | CBF HARNESS-OP | 2 | SNA | |
| 8.10-8 | JC61-00804A | BUSH-CABLE | 1 | SNA | |
| 8.10-9 | JC39-00357A | CBF HARNESS-SCF INTERFACE | 1 | SA | |
| 8.10-10 | JC33-00012A | SOLENOID-MAIN | 1 | SA | |
| 8.10-11 | JC96-03405A | BRACKET-P-SCF MOTOR | 1 | SA | |
| 8.10-11-1 | JC61-01219A | BRACKET-P-SCF MOTOR | 1 | SNA | |
| 8.10-11-2 | JC31-00002A | MOTOR STEP-7.5 DEG | 1 | SA | |
| 8.10-11-3 | JC66-00885A | GEAR-M SCF-RDCN RETARD | 1 | SNA | |
| 8.10-11-4 | JC66-00886A | GEAR-M SCF_RDCN FEED | 1 | SNA | |
| 8.10-11-5 | JC66-00884A | GEAR-M SCF_RDCN PICK UP | 1 | SNA | |
| 8.10-12 | JB39-40532A | CBF HARNESS-OP | 1 | SNA | |
| 8.10-13 | JC70-00464A | IPR-GROUND SPRING_FEED | 1 | SNA | |
| 8.10-14 | JC72-41191B | PMO-BEARING-SHAFT | 3 | SNA | |
| 8.10-15 | JC47-00009B | MEP-CLUTCH FEED SCF | 1 | SA | |
| 8.10-16 | 6044-000125 | RING-E | 5 | SNA | |
| 8.10-17 | JC66-00441A | SHAFT-M-COUPPLING RETARD S | 1 | SNA | |
| 8.10-18 | JC66-00890A | SHAFT-M-GEAR_RETARD | 1 | SNA | |
| 8.10-19 | JC66-00420A | GEAR-REGI Z25 | 1 | SNA | |
| 8.10-20 | JC71-00042A | BAR-P CROSS BOTTOM | 2 | SNA | |
| 8.10-21 | JC72-01355A | PMO-REMOVE_LOCK CST | 1 | SNA | |
| 8.10-22 | JC96-03424A | ELA UNIT-RETARD SCF | 1 | SA | |
| 8.10-22-1 | 6044-000231 | RING-E | 2 | SNA | |
| 8.10-22-2 | 6107-001157 | SPRING-TS | 1 | SNA | |
| 8.10-22-3 | JC61-00013A | SPRING ETC-PAD | 2 | SNA | |
| 8.10-22-4 | JC61-00635A | HOUSING-M-RETARD | 1 | SNA | |
| 8.10-22-5 | JC61-00638A | HOLDER-M-RETARD | 1 | SNA | |
| 8.10-22-6 | JC61-00652A | BUSH-M-RETARD | 2 | SNA | |
| 8.10-22-7 | JC66-00590A | SHAFT-RETARD | 1 | SNA | |

Service BOM(SA : Service Available, SNA : Service not Available)

| Drawer# (Section-No) | Part Code | Description | Q'ty | Status (SA/SNA) | Remark |
|-------------------------|-------------|--------------------------|------|--------------------|--------|
| 8.10-22-8 | JC66-00591A | SHAFT-HUB IN | 1 | SNA | |
| 8.10-22-9 | JC72-00993A | PMO-HUB OUT RETARD | 1 | SNA | |
| 8.10-22-10 | JC72-00994A | PMO-HUB IN RETARD | 1 | SNA | |
| 8.10-22-11 | JC61-01246A | FRAME-M-RETARD_SCF | 1 | SNA | |
| 8.10-22-12 | JC73-00207A | RUBBER-RETARD | 1 | SNA | |
| 8.10-23 | JC72-01360A | PMO-M DUMMY-SCF_LEFT | 1 | SNA | |
| 8.10-24 | JC72-01363A | PMO-M DUMMY-SCF_RIGHT | 1 | SNA | |
| 8.10-25 | JC66-00914A | SHAFT-PICK UP_SCF | 1 | SA | |
| 8.10-26 | JC66-00913A | SHAFT-FEED1_SCF | 1 | SA | |
| 8.10-27 | JC92-01686A | PBA SCF COVER OPEN | 1 | SA | |
| 8.10-28 | JC96-02127A | ELA HOU-CSTSENSOR HAWK1 | 1 | SNA | |
| 8.10-29 | 0604-001095 | PHOTO-INTERRUPTER | 1 | SNA | |
| 8.10-30 | JC72-00992A | PMO-ACTUATOR EMPTY,SCF | 1 | SA | |
| 8.10-31 | JC66-00534A | GEAR-SCF PICK_UPCAM | 1 | SNA | |
| 8.10-32 | JC61-40001A | FOOT-ML80 | 2 | SNA | |
| 8.10-33 | JC70-11028A | IPR-GROUND TOP | 1 | SNA | |
| 8.10-34 | JC97-02233A | MEA UNIT-PICK UP HOU | 1 | SA | |
| 8.10-34-1 | JC72-01361A | PMO-M IDLE-PICK UP | 2 | SNA | |
| 8.10-34-2 | JC73-00223A | RUBBER-PICK UP | 1 | SNA | |
| 8.10-34-3 | JC61-01238A | RUBBER-PICK UP | 1 | SNA | |
| 8.10-35 | JC72-00382B | PMO-BUSHING FEED | 3 | SNA | |
| 8.10-36 | JC72-01364A | PMO-M DUMMY_SHAFT | 1 | SNA | |
| 8.10-37 | 6107-001214 | SPRING-ES | 1 | SNA | |
| 8.10-38 | JC81-03458A | AS-FEED1 ROLLASS'Y | 1 | SA | |
| 8.10-38-1 | JC61-01237A | HUOUSIN-M_FEED1 | 1 | SNA | |
| 8.10-38-2 | JC73-00208A | RUBBER-FEED1 | 1 | SNA | |
| 8.10-40 | JC39-00355A | CBF HARNESS-MOTOR | 1 | SNA | |
| 8.10-41 | JC39-00446A | CBF HARNESS-SCF EMPTY | 1 | SNA | |
| 8.10-42 | JC39-00447A | CBF HARNESS-SCF CASSETTE | 1 | SNA | |
| 8.10-43 | JC39-00448A | CBF HARNESS-SCF P-SIZE | 1 | SNA | |
| 8.11 Duplex Unit | | | | | |
| 8.11-0 | JC96-03412B | ELA UNIT-DUPLEX | 1 | SA | |
| 8.11-1 | JC61-01254A | FRAME-M-DUPLEX | 1 | SNA | |
| 8.11-2 | JC61-01255A | GUIDE-M-UPPER_DUP | 1 | SNA | |
| 8.11-3 | JC63-00693B | COVER-M-REAR_DUP | 1 | SNA | |
| 8.11-4 | JC61-01256A | GUIDE-M-ALIGN_DUP | 1 | SNA | |
| 8.11-5 | JC67-00107A | CAP-M-CONNECTOR_DUP | 1 | SNA | |
| 8.11-6 | JC67-00106A | DUCT-M-FAN_DUP | 1 | SNA | |
| 8.11-7 | JC31-00004A | FAN-DC_HAWK | 1 | SNA | |
| 8.11-8 | JC92-01679A | PBASUB-DPX_SCF | 1 | SA | |
| 8.11-9 | 6502-000132 | CABLE CLAMP | 1 | SNA | |
| 8.11-10 | JC70-00512A | IPR-TERMINAL GND_DUP | 1 | SNA | |
| 8.11-11 | JC64-00191A | LOCKER-M-DUP | 1 | SNA | |
| 8.11-12 | JC63-00706A | SHEET-FRAME_DUP | 1 | SNA | |
| 8.11-13 | 6107-001165 | SPRING-TS | 1 | SNA | |
| 8.11-14 | JC72-01366A | PMO-ACTUATOR FEED DUP | 1 | SNA | |
| 8.11-15 | JC92-01362A | PBA SUB-MPSEN | 1 | SNA | |
| 8.11-16 | JB39-00103A | CBF HARNESS-POWER GND | 1 | SNA | |
| 8.11-17 | JC31-00009A | MOTOR STEP | 1 | SNA | |
| 8.11-18 | JC61-01257A | BRACKET-P-MOTOR_DUP | 1 | SNA | |
| 8.11-19 | JC66-00897A | PULLEY-M-30_DUP | 1 | SNA | |
| 8.11-20 | 6602-001084 | BELT-TIMING GEAR | 1 | SNA | |
| 8.11-21 | JC66-00898A | PULLEY-M-30-DUMMY_DUP | 1 | SNA | |
| 8.11-22 | 6044-000231 | RING-E | 1 | SNA | |
| 8.11-23 | JC39-00450A | CBF HARNESS-D_JOINT | 1 | SNA | |
| 8.11-24 | JC66-00444A | SHAFT-IDLE ROLL, DUP | 2 | SNA | |
| 8.11-25 | JC66-00896A | ROLLER-M-IDLE_DUP | 2 | SNA | |
| 8.11-26 | JK72-00058A | PCT-SILP WASHER | 4 | SNA | |

Service BOM(SA : Service Available, SNA : Service not Available)

| Drawer# (Section-No) | Part Code | Description | Q'ty | Status (SA/SNA) | Remark |
|-------------------------|-------------|--------------------------|------|--------------------|--------|
| 8.11-27 | JC61-01277A | SPRING ETC-DUP | 2 | SNA | |
| 8.11-28 | JC66-00900A | PULLEY-M-18-DUMMY_DUP | 4 | SNA | |
| 8.11-29 | JC66-00899A | PULLEY-18_DUP | 2 | SNA | |
| 8.11-30 | JC61-00665A | BUSH-M-FEED, DUP | 4 | SNA | |
| 8.11-31 | JC66-20901A | BELT-TIMMING | 1 | SNA | |
| 8.11-32 | JC66-00901A | ROLLER-FEED_DUP | 2 | SNA | |
| 8.11-33 | 6044-000107 | RING-C | 2 | SNA | |
| 8.11-34 | JC70-00457A | ICT-STUD PAPER GUIDE, DP | 3 | SNA | |